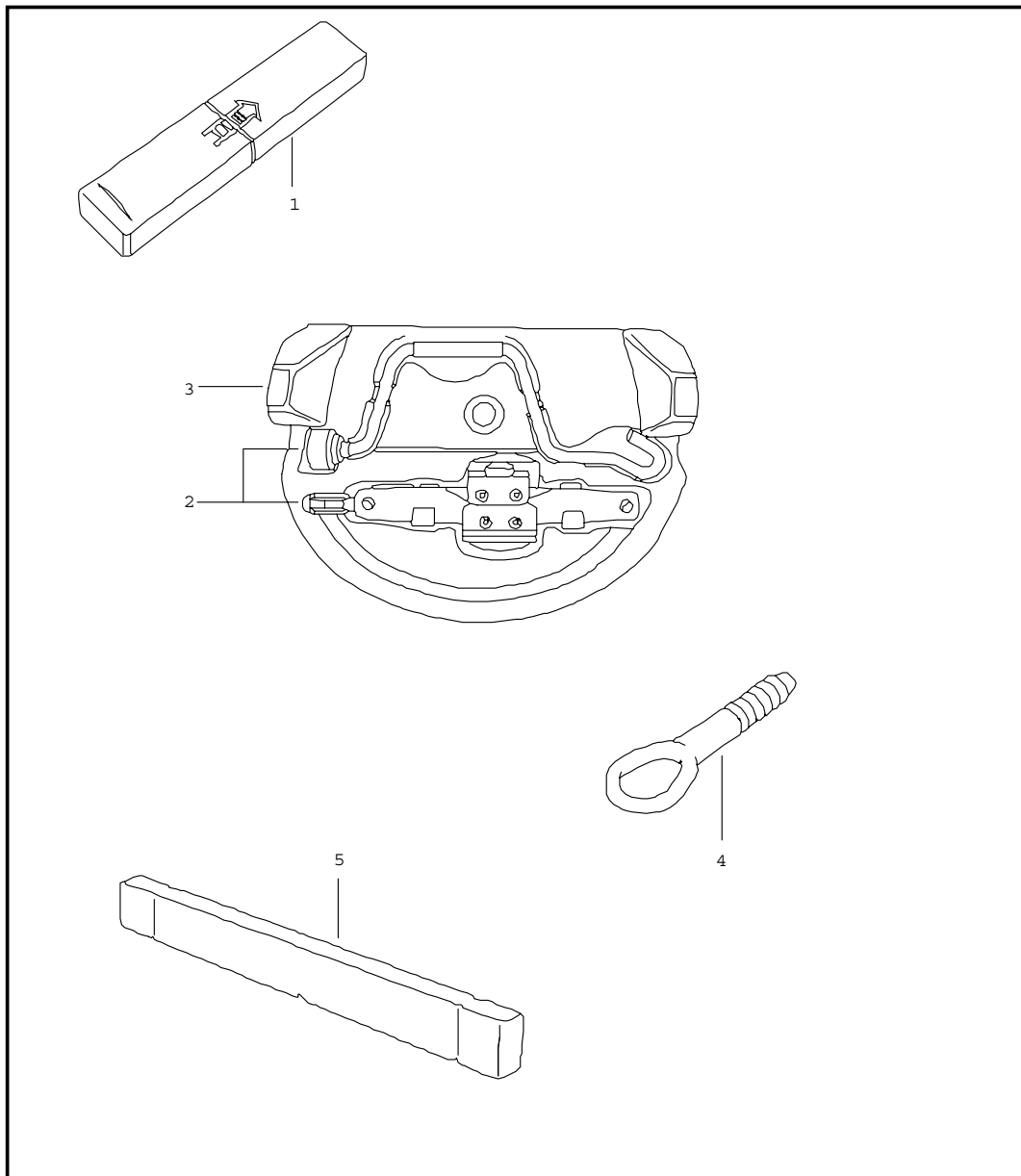


Model	Year	MG	SG	Illustration	Restrictions	Update	18:21	24.08.2006	PORSCHE	PET	PORSCHE
987	07	0	01	1-00		203					



Pos	Part Number	Name	Remarks	Qty	Model
1	997 721 115 00	tool jack tool kit with contents comprising:		1	
-	-	double-end spanner 10 X 13		1	
-	-	screw driver		1	
-	-	handle for screw driver		1	
-	999 571 077 02	socket wrench - 5 - for headlamp		1	
2	996 721 211 00	scissors type jack		1	I447
3	996 722 101 00	foam part		1	I447
-	999 571 074 30	threaded bolt for assembly wheels		1	I447
4	997 721 551 00	towing lug		1	
5	000 722 722 05	warning triangle		1	
-	993 722 041 00	first-aid kit		1	
		- - - E N D - - -			

PORSCHÉ

PET

PORSCHÉ

Model	Year	MG	SG	Illustration	Restrictions	Update	18:21	24.08.2006
987	07	0	01	1-05		203		

Pos	Part Number	Name	Remarks	Qty	Model
		stickers			
		stickers emergency wheel		1	I447
-	996 361 701 20	sticker english		1	(AUS)
-	997 361 701 00	sticker arabic		1	I215
-	928 701 150 00	sticker "MAX 80 KM/H"		1	
		stickers engine specifications			
3	996 006 108 00	sticker	05	1	I068
3	997 006 108 00	sticker	06-	1	I068
4	996 006 120 00	indication sticker expansion tank coolant		1	
4	997 006 544 00	sticker engine oil - MOBIL 1 -		1	
		stickers type of fuel			
5	996 006 117 00	sticker 98 ROZ		1	
5	996 006 117 02	sticker 96 ROZ		1	(AUS)
5	996 006 117 01	sticker 98 ROZ		1	I150
5	996 006 117 03	sticker 93 RON/MON/2		1	(J)
		stickers airbag			
6	3B0 010 219 B	sticker child car seat		1	
6	8D0 010 141 Q	sticker child car seat		1	(AUS)
6	987 701 430 00	sticker child car seat german		1	
6	987 701 430 01	sticker child car seat english		1	

PORSCHE

PET

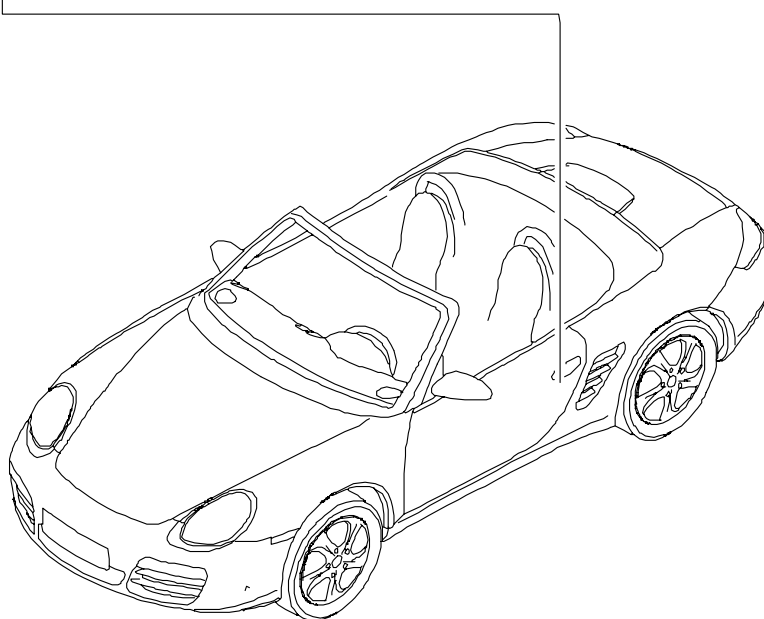
PORSCHE

Model	Year	MG	SG	Illustration	Restrictions	Update	18:21	24.08.2006
987	07	0	01	1-05		203		

Pos	Part Number	Name	Remarks	Qty	Model
6	987 701 430 02	sticker child car seat french		1	
6	987 701 430 03	sticker child car seat italian		1	
6	987 701 430 04	sticker child car seat swedish		1	
6	987 701 430 05	sticker child car seat spanish		1	
6	987 701 430 06	sticker child car seat arabic		1	
6	987 701 430 07	sticker child car seat chinese	06-	1	
9	986 701 141 01	sticker air conditioner		1	
10	997 701 170 00	sticker first-aid kit		1	
		stickers folding top control see group 8/07/09			
		- - - E N D - - -			

Model	Year	MG	SG	Illustration	Restrictions	Update	18:21	24.08.2006	PORSCHE	PET	PORSCHE
987	07	0	04	4-00		203					

Cabriolet 250i Urban Türkeis Metalllic							
	F	G	J	++	K	M	F
	S	G	J	++	K	M	T
	F	G	J	++	K	M	F
	S	G	J	++	K	M	T
	F	G	J	++	K	M	F
	S	G	J	++	K	M	T
	F	G	J	++	K	M	F
	S	G	J	++	K	M	T
	F	G	J	++	K	M	F
	S	G	J	++	K	M	T



A Made in Germany

Reifenfülldruck kalte Reifen (20°C). Nur von Porsche freigegebene Reifen verwenden. Handhabung Reifendichtmittel gemäß Fahrzeug-Bedienungsanleitung / max. 80 km/h

Cold tyre inflation pressure (20°C). Use only tyres released by Porsche. Use puncture sealing kit as indicated in vehicle Operating Instructions / max. speed: 80 km/h

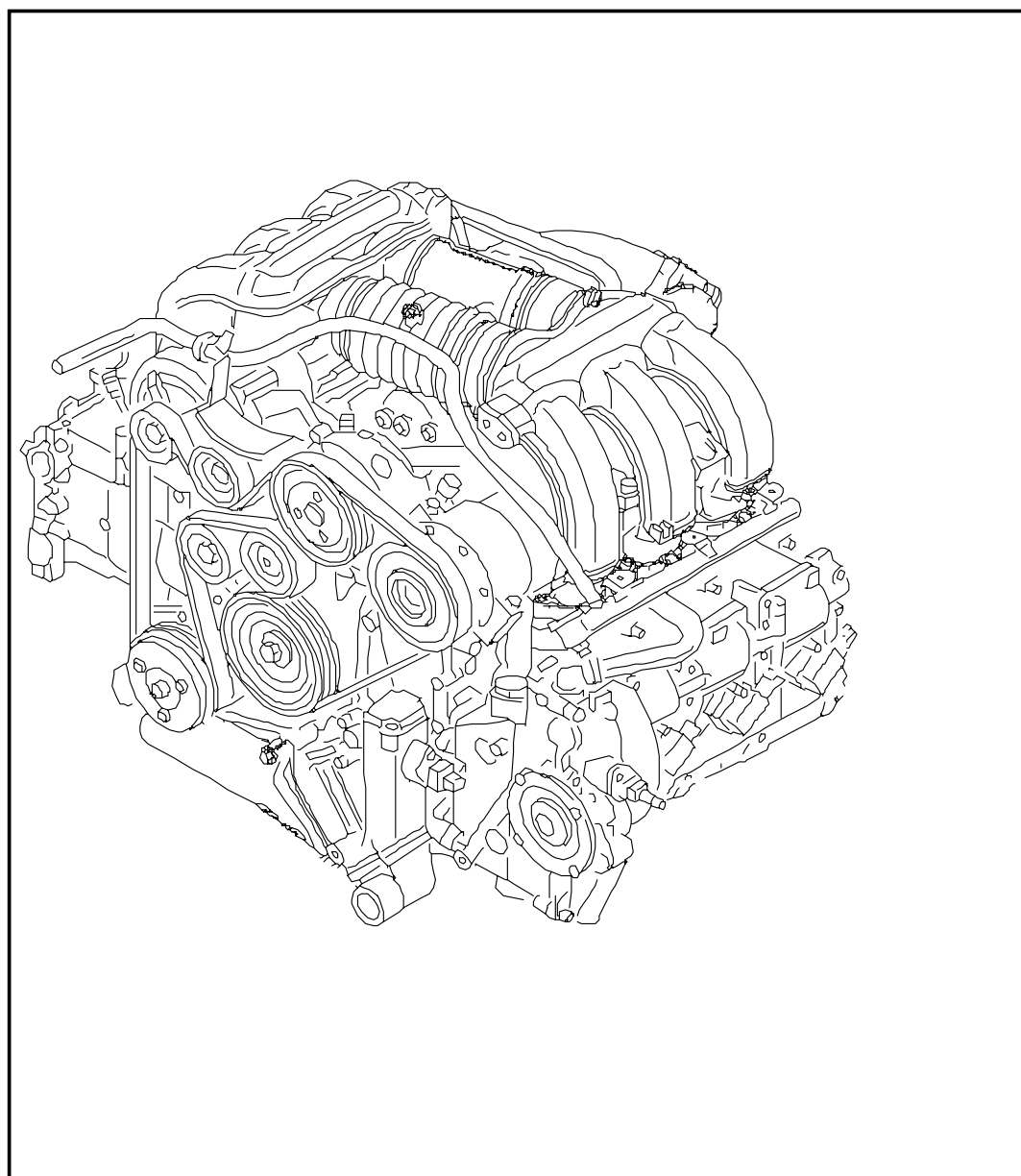
Pression des pneus froids (20°C). N'utilisez que des pneus autorisés par Porsche. Utilisez le jeu d'étanchéification de pneus selon mode d'emploi du véhicule / vitesse maxi: 80 km/h

Presión de neumáticos fríos (20°C). Utilice únicamente neumáticos homologados por Porsche. Utilización del kit para parchar neumáticos de acuerdo a las instrucciones para el uso del vehículo / max. 80 km/h

Pressione pneumatici freddi (20°C). Usare soltanto pneumatici omologati dalla Porsche. Uso del kit di emersione pneumatici in ottemperanza alle istruzioni d'uso del veicolo / velocità massima: 80 km/h

Pos	Part Number	Name	Remarks	Qty	Model
		paint touch-up applicator lacquers			
-	911 095 932 20	paint touch-up applicator		X	
	719	black			A 1
	80K	guards red			G 1
	B9A	carrara white			B 4
	12G	speed yellow			X 4
-	911 095 933 20	paint touch-up applicator set comprising: paint touch-up applicator primer paint touch-up applicator clear lacquer		X	
	92T	arctic silver metallic			X 1
	M3W	carmon red metallic			E 4
	M5W	lapis blue metallic			J 2
	M6W	lagoon green metallic			G 4
	C9Z	basalt black metallic			Z 4
	M7X	atlas grey metallic			E 7
	37W	midnight blue metallic			E 9
	6B5	seal grey metallic			Y 1
	22E	forest green metallic			53
	37U	cobalt blue metallic			56
	22D	slate grey metallic			59
	M7Z	gt silver metallic			U 2
	M6X	dark olive-metallic			7 G
	M7W	meteor grey metallic	07-		9 Q
		- - - E N D - - -			

Model	Year	MG	SG	Illustration	Restrictions	Update	18:22	24.08.2006	PORSCHE	PET	PORSCHE
987	07	1	01	101-00		203					

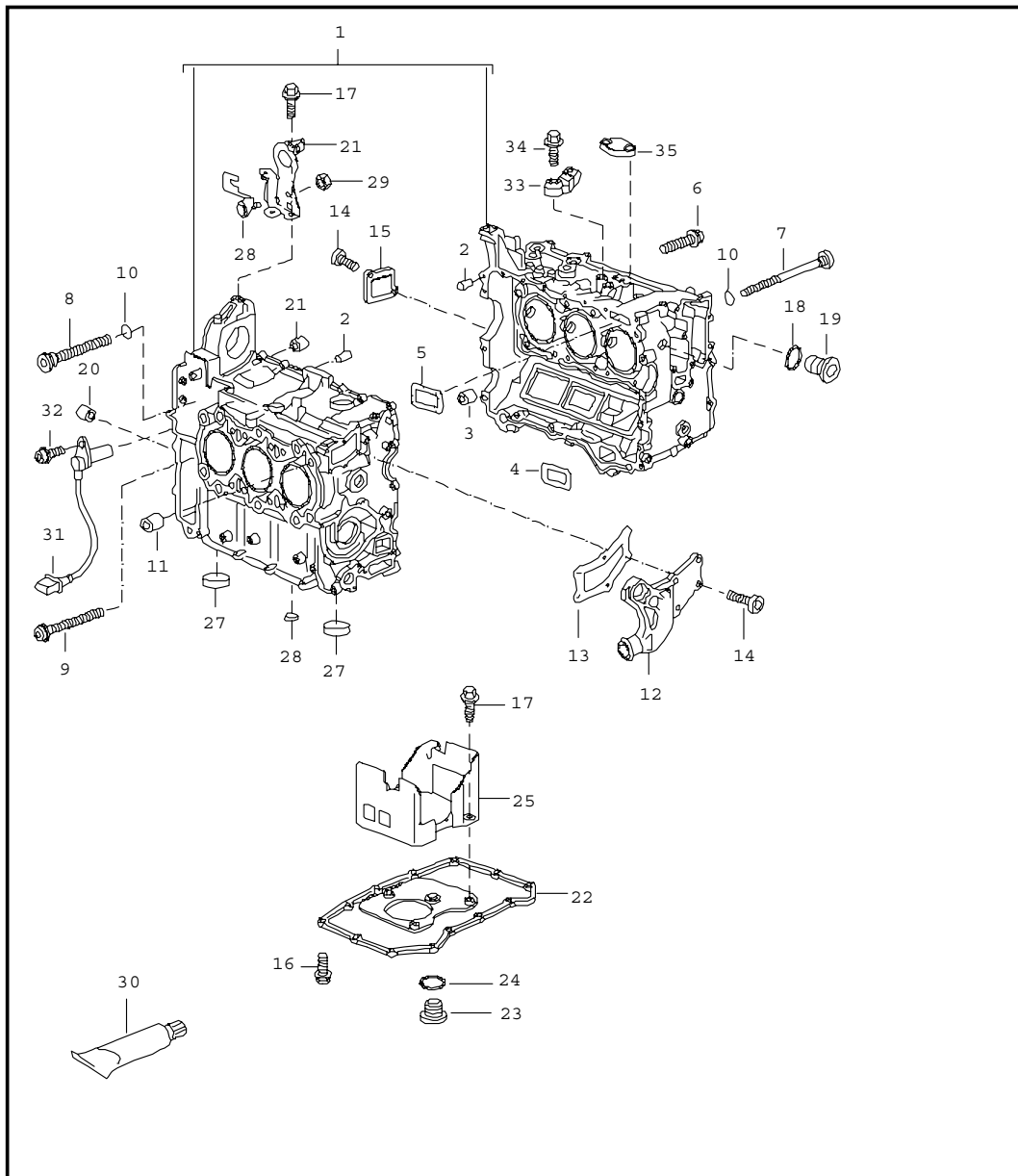


Pos	Part Number	Name	Remarks	Qty	Model
		replacement engine	-06 -06 07- 07-		M96.25 M96.26 M97.20 M97.21
		without drive plate tiptronic without flywheel manual transmission			
		technical information GRUPPE 1 NR.1/04 attention			
1 >	987 100 925 00	replacement engine	05	1	M96.25 I481
1 >	987 100 925 03	replacement engine	06	1	M96.25 I481
(1) N	987 100 920 00	replacement engine	07-	1	M97.20 I481
1 >	987 100 925 01	replacement engine	05	1	M96.25 I249
1 >	987 100 925 04	replacement engine	06	1	M96.25 I249
(1) N	987 100 920 01	replacement engine	07-	1	M97.20 I249
1 >	987 100 925 02	replacement engine	05	1	M96.25 I480
1 >	987 100 925 05	replacement engine	06	1	M96.25 I480
(1) N	987 100 920 05	replacement engine	07-	1	M97.20 I480
1 >	987 100 926 00	replacement engine	05	1	M96.26 I480
1 >	987 100 926 02	replacement engine	06	1	M96.26 I480
(1) N	987 100 921 04	replacement engine	07-	1	M97.21 I480
1 >	987 100 926 01	replacement engine	05	1	M96.26 I249
1 >	987 100 926 03	replacement engine	06	1	M96.26 I249

Model	Year	MG	SG	Illustration	Restrictions	Update	18:22	24.08.2006	PORSCHE	PET	PORSCHE
987	07	1	01	101-00		203					

Pos	Part Number	Name	Remarks	Qty	Model	Pos	Part Number	Name	Remarks	Qty	Model
(1)	N 987 100 921 05	replacement engine	07-	1	M97.21 I249						
		- - - E N D - - -									

Model	Year	MG	SG	Illustration	Restrictions	Update	18:22	24.08.2006	PORSCHE	PET	PORSCHE
987	07	1	01	101-05		203					

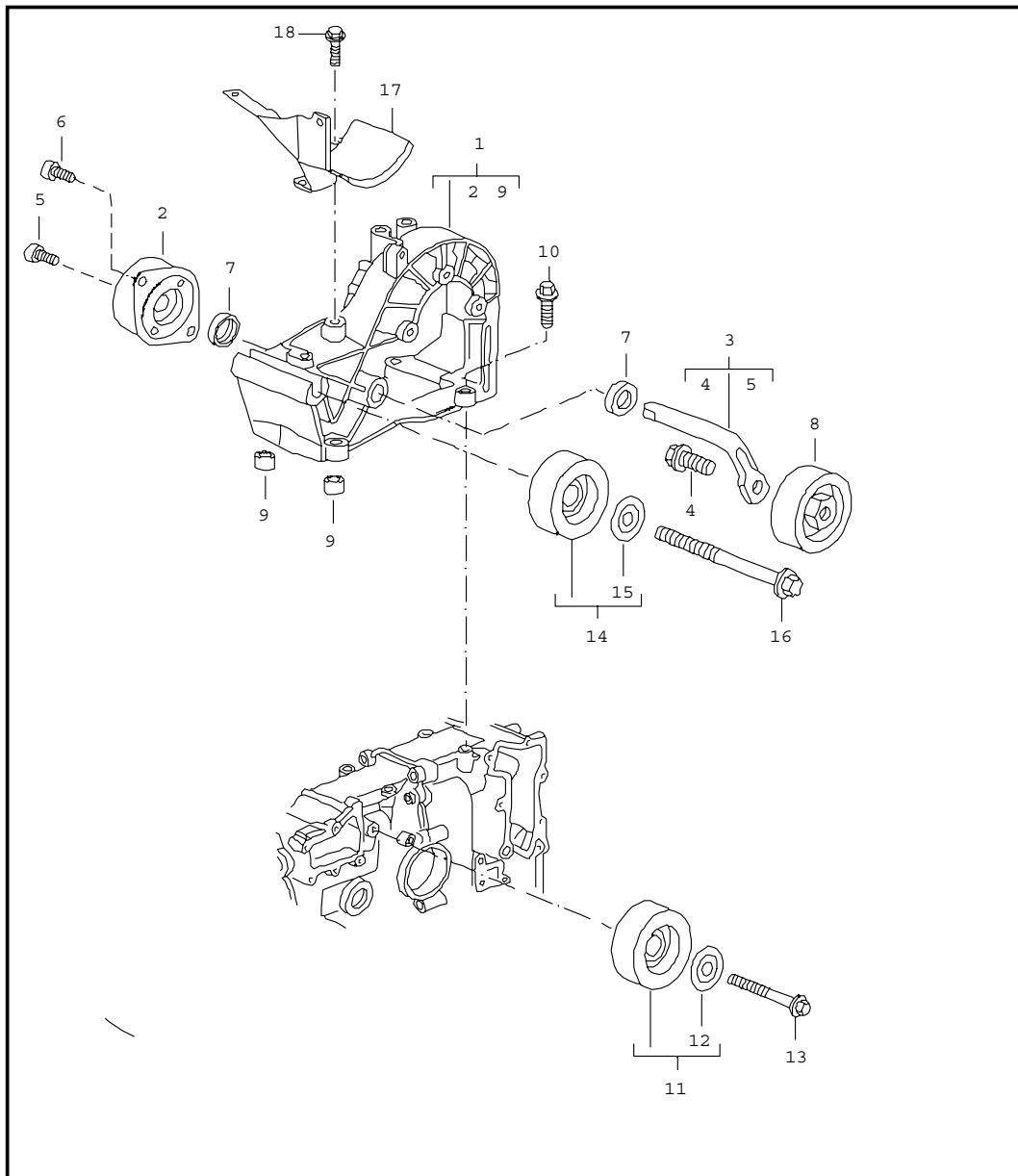


Pos	Part Number	Name	Remarks	Qty	Model
		crankcase single parts	-06 -06 07- 07-		M96.25 M96.26 M97.21 M97.20
1	996 101 901 10	crankcase	-06	1	M96.26
1	996 101 901 09	crankcase	-06	1	M96.25
2	999 012 049 00	straight pin 12M 6 X 22		3	
3	996 101 253 51	dowel sleeve		3	
4	996 101 361 51	gasket		1	
5	996 101 363 50	gasket		1	
6	900 385 270 04	torx screw M 6 X 35		20	
7	996 101 219 52	screw 9 X 150		1	
8	996 101 229 00	screw M 9 X 94		1	
9	996 101 203 00	screw 9 X 94		1	
10	999 701 789 40	o-ring 12 X 2 use also: grease 999 917 788 00		2	
11	999 095 043 01	dowel sleeve 17M 6 X 18,5		4	
12	996 101 021 01	cover		1	
13	996 101 331 50	gasket		1	
14	999 073 344 04	round head screw M 6 X 20		8	
15	996 101 016 00	cover		1	
16	996 101 336 50	gasket		1	
17	900 385 009 09	torx screw BM 6 X 16		13	
18	900 123 147 30	sealing ring A 27 X 32		1	
19	900 219 017 30	screw plug M 27 X 2		1	

Model	Year	MG	SG	Illustration	Restrictions	Update	18:22	24.08.2006	PORSCHE	PET	PORSCHE
987	07	1	01	101-05		203					

Pos	Part Number	Name	Remarks	Qty	Model	Pos	Part Number	Name	Remarks	Qty	Model
20	014 301 153 B	dowel sleeve 13 X 16 X13,5		2							
21	see illustrations 1/07/05		1							
22	996 107 031 56	oil pan		1							
23	900 219 009 30	screw plug M 18 X 1,5		1							
24	900 123 106 30	sealing ring A 18 X 24		1							
25	997 107 243 00	bulkhead		1							
26	999 036 005 02	cover B 50		2							
27	000 043 300 19	cover B 16		1							
28	996 101 613 50	support		1	I249						
29	900 377 010 09	hexagon nut M 6		1	I249						
30	000 043 203 73	sealing compound 30 ML		X							
(30)	000 043 204 35	sealing compound 50 ML		X							
31	986 606 112 03	pulse sender		1							
32	900 387 264 09	pan-head screw M 6 X 16		1							
33	997 606 121 00	knock sensor		2							
34	900 385 090 04	torx screw BM 8 X 35		2							
35	see illustrations 1/07/05		1							
		- - - E N D - - -									

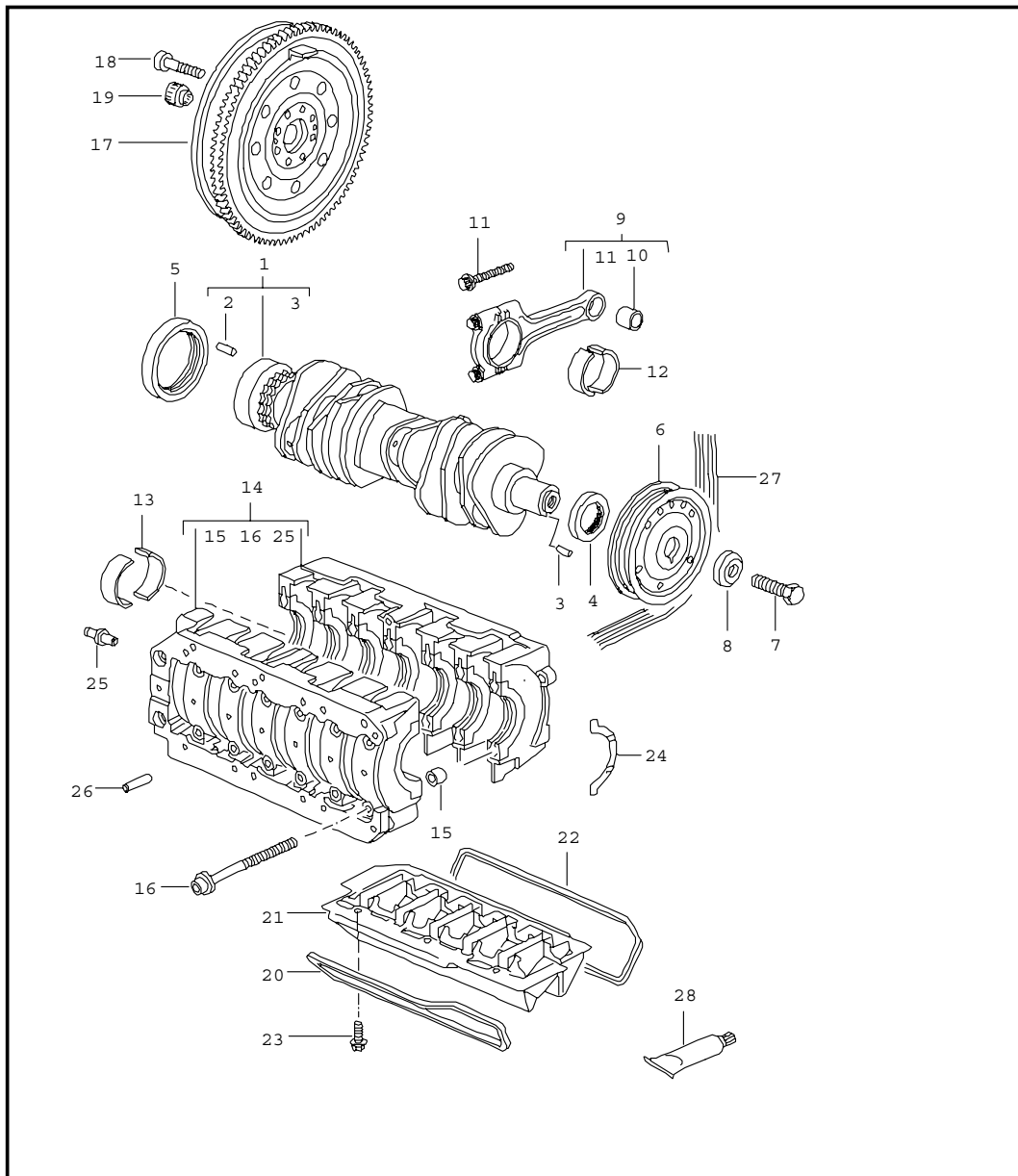
Model	Year	MG	SG	Illustration	Restrictions	Update	18:22	24.08.2006	PORSCHE	PET	PORSCHE
987	07	1	01	101-10		203					



Pos	Part Number	Name	Remarks	Qty	Model
		belt tensioner belt drive	06- 06- 07- 07-		M96.25 M96.26 M97.21 M97.20
1	997 102 016 00	bracket		1	I480/I481
(1)	996 102 016 01	bracket		1	I249
2	997 102 260 00	tensioner		1	
3	996 102 360 51	lever		1	
4	999 072 041 09	hexagon-head bolt M 10 X 30		1	
5	900 067 117 03	pan-head screw M 6 X 16		1	
6	999 067 045 09	pan-head screw M 8 X 22		2	
7	996 102 365 50	dust boot		2	
8	997 102 117 00	tensioning roller		1	I480/I481
(8)	996 102 117 56	tensioning roller		1	I249
9	999 095 064 00	dowel sleeve 12 M 6 X 13		2	
10	900 385 090 04	torx screw M 8 X 35		4	
11	997 102 119 00	deflection roller		1	I480/I481
11	996 102 119 58	deflection roller		1	I249
12	996 102 127 54	cover disc		1	
13	900 385 091 04	torx screw M 8 X 60		1	
14	997 102 118 00	deflection roller		1	I480/I481
14	996 102 118 56	deflection roller		1	I249
15	996 102 125 53	cover disc		1	
16	900 385 092 04	torx screw M 10 X 145		1	
17	996 102 211 05	cover		1	
18	900 385 279 09	torx screw M 6 X 12		3	

- - - E N D - - -

Model	Year	MG	SG	Illustration	Restrictions	Update	18:22	24.08.2006	PORSCHE	PET	PORSCHE
987	07	1	02	102-00		203					

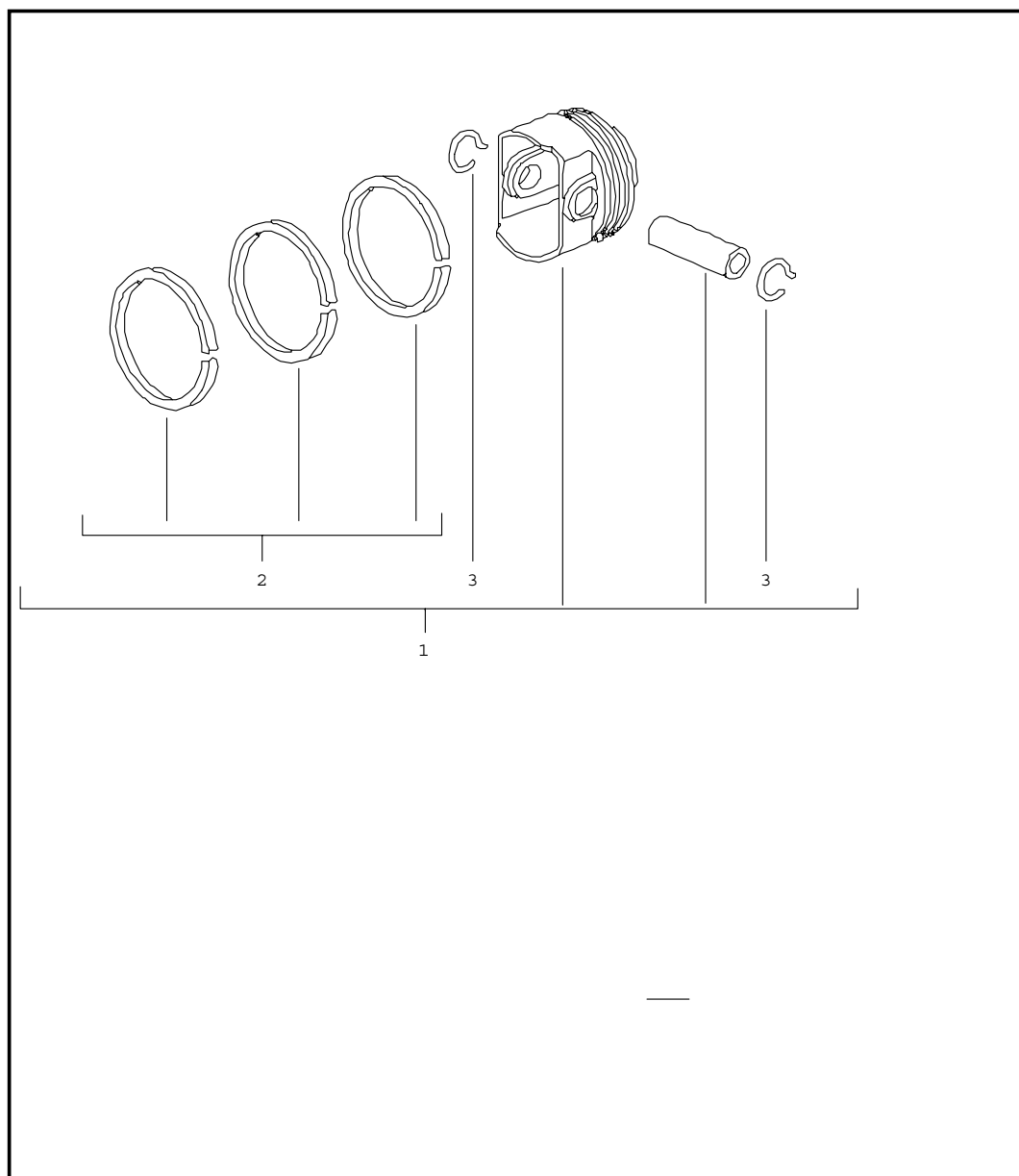


Pos	Part Number	Name	Remarks	Qty	Model
		crankshaft	-06 -06 07- 07-		M96.25 M96.26 M97.21 M97.20
1	996 102 011 58	crankshaft		1	
1	P 987 102 010 03	crankshaft	07-	1	M97.21
2	900 095 031 01	roll pin 6,0 X 16		1	
3	900 302 021 00	straight pin A 4,0 X 10		1	
4	999 113 475 40	shaft seal 40 X 62 X 10		1	
5	U 999 113 490 40	shaft seal 85 X 105 X 11		1	
5	997 101 212 00	shaft seal 85 x 105 x 11		1	
6	996 102 115 63	pulley		1	
7	900 082 085 09	hexagon-head bolt M 16 X 1,5 X 60		1	
8	996 102 315 51	thrust washer		1	
9	996 103 975 02	connecting rod connecting rods comprising: 6 connecting rods see workshop manual 987 GR.1-1		1	
10	996 103 111 51	connecting rod bush		6	
11	997 103 115 01	connecting rod bolt		12	
12	996 103 121 62	connecting-rod bearing		12	
13	987 101 205 01	crankshaft bearing	-06 07-	14	M96.25 M97.20
13	996 101 205 10	crankshaft bearing	-06	14	M96.26
13	P 996 101 209 04	crankshaft bearing	07-	14	M97.21
14	U 987 101 007 20	gear carrier	-06	1	M96.25
14	996 101 007 07	gear carrier	-06	1	M96.26
14	P 996 101 007 09	gear carrier	-06 07-	1	M96.25 M97.20

Model	Year	MG	SG	Illustration	Restrictions	Update	18:22	24.08.2006	PORSCHE	PET	PORSCHE
987	07	1	02	102-00		203					

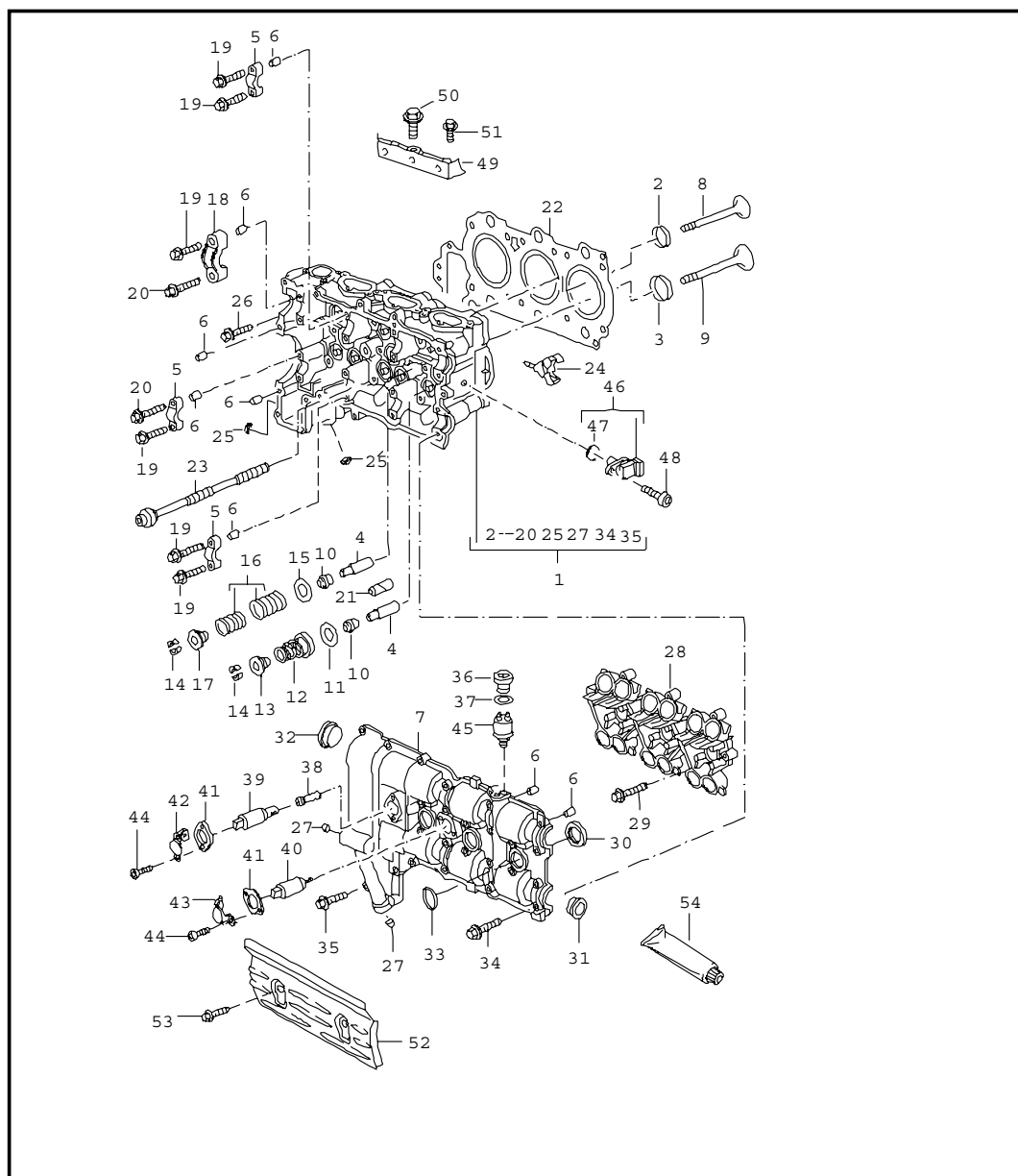
Pos	Part Number	Name	Remarks	Qty	Model	Pos	Part Number	Name	Remarks	Qty	Model
14	P 996 101 007 22	gear carrier	07-	1	M97.21						
15	999 095 064 00	dowel sleeve 12 M 6 X 13		3							
16	996 101 115 60	screw for gear carrier		14	M96.25						
16	996 101 115 61	screw for gear carrier		14	M96.26						
17	986 114 012 05	double-mass flywheel		1	M96.25						
17	986 114 012 06	double-mass flywheel		1	M96.26						
18	999 073 092 09	pan-head screw M 10 X 1 X 50		8							
19	034 105 313 A	needle sleeve		1							
20	996 101 241 51	gasket		1							
21	996 101 110 00	oil separator		1							
22	996 101 242 51	gasket		1							
23	900 385 050 09	torx screw M 6 X 16		6							
24	996 101 129 52	thrust washer		2							
25	996 101 117 54	straight pin		1							
26	996 101 018 51	splash valve		6							
27	996 102 151 66	poly-rib belt		1							
28	000 043 204 17	extreme-pressure grease 100 GR.		X							
		- - - E N D - - -									

Model	Year	MG	SG	Illustration	Restrictions	Update	18:23	24.08.2006	PORSCHE	PET	PORSCHE
987	07	1	02	102-05		203					



Pos	Part Number	Name	Remarks	Qty	Model
		piston	-06 -06 07- 07-		M96.25 M96.26 M97.21 M97.20
1	996 103 071 14	piston tolerance range X number plate - 460 - 466 G		6	M96.25
(1)	996 103 071 15	piston tolerance range X number plate + 466 - 472 G		6	M96.25
(1)	996 103 032 15	piston tolerance range X number plate - 535 - 541 G		6	M96.26
(1)	996 103 032 16	piston tolerance range X number plate + 541 - 547 G		6	M96.26
2	996 103 073 00	set of piston rings		6	M96.25
2	996 103 033 51	set of piston rings		6	M96.26
3	996 103 141 03	circlip		12	
		- - - E N D - - -			

Model	Year	MG	SG	Illustration	Restrictions	Update	18:23	24.08.2006	PORSCHE	PET	PORSCHE
987	07	1	03	103-00		203					



Pos	Part Number	Name	Remarks	Qty	Model
		cylinder head	-06 -06 07- 07-		M96.25 M96.26 M97.21 M97.20
1	996 104 933 00	cylinder head cyl. 1 - 3	-06	1	M96.25
1	N 987 104 915 00	cylinder head cyl. 1 - 3	07-	1	M97.20
(1)	996 104 953 00	cylinder head cyl. 1 - 3	-06	1	M96.26
(1)	P 987 104 913 00	cylinder head cyl. 1 - 3	07-	1	M97.21
(1)	996 104 934 00	cylinder head cyl. 4 - 6	-06	1	M96.25
(1)	N 987 104 916 00	cylinder head cyl. 4 - 6		1	
(1)	996 104 954 00	cylinder head cyl. 4 - 6	-06	1	M96.26
(1)	P 987 104 914 00	cylinder head cyl. 4 - 6	07-	1	M97.21
2	996 104 111 07	valve seat ring intake oversize		12	M96.25
(2)	996 104 111 57	valve seat ring intake oversize		12	M96.26
3	996 104 113 05	valve seat ring exhaust oversize		12	M96.25
(3)	996 104 113 55	valve seat ring exhaust oversize		12	M96.26
4	996 104 145 03	valve guide exhaust oversize		24	
5	---	housing matching with: cylinder head		6	
6	996 104 117 50	dowel sleeve		28	
7	---	cover matching with: cylinder head		2	

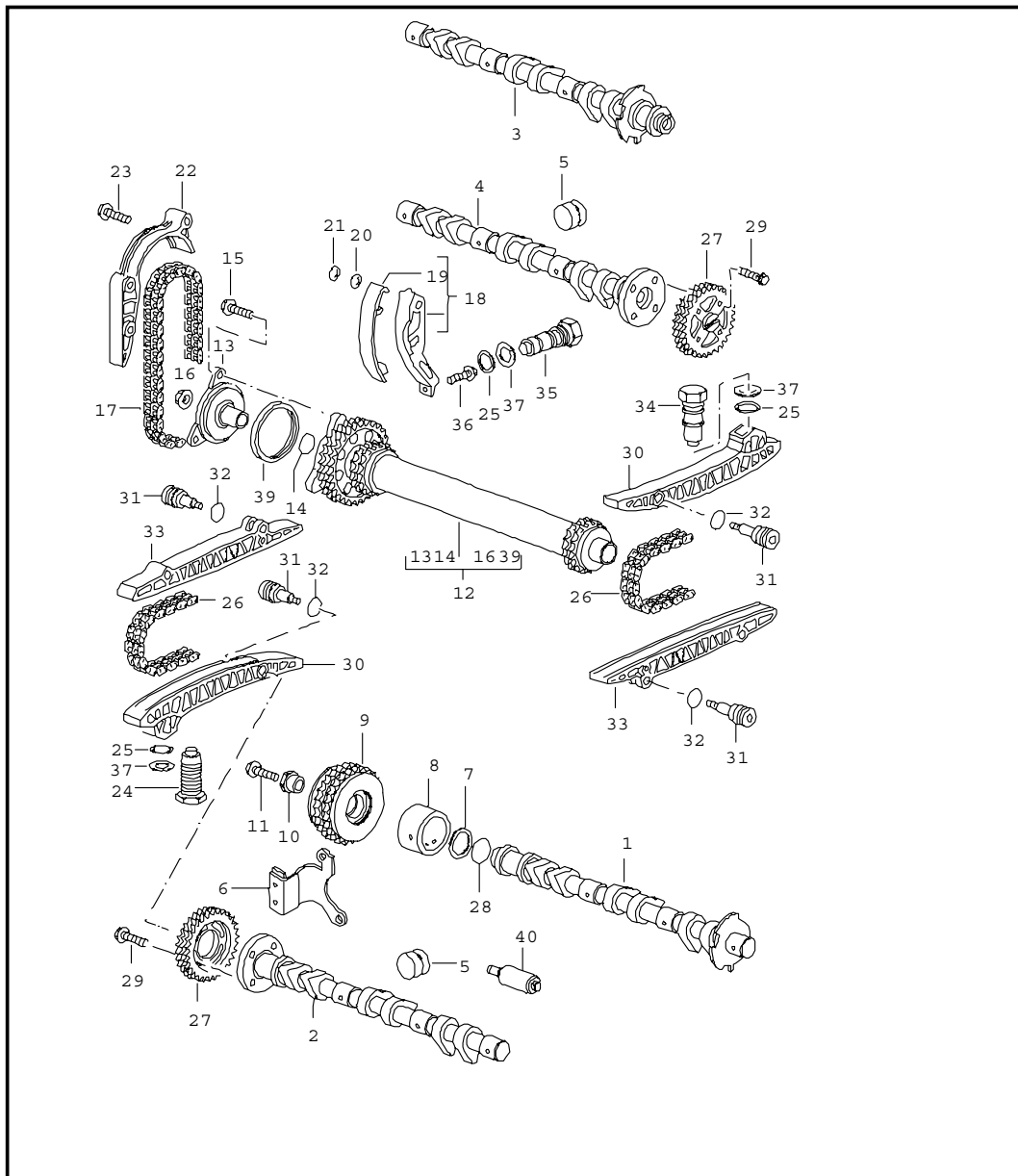
Model	Year	MG	SG	Illustration	Restrictions	Update	18:23	24.08.2006	PORSCHE	PET	PORSCHE
987	07	1	03	103-00		203					

Pos	Part Number	Name	Remarks	Qty	Model	Pos	Part Number	Name	Remarks	Qty	Model
8	996 105 111 02	intake valve	-06	12	M96.25	25	999 036 026 02	cover 10 MM		4	
8	N 987 105 115 00	intake valve	07-	12	M97.20	26	900 385 048 04	torx screw M 6 X 30 mount cylinder head crankcase		8	
(8)	996 105 111 52	intake valve	-06	12	M96.26						
(8)	P 996 105 271 00	intake valve	07-	12	M97.21						
9	996 105 113 04	exhaust valve	-06	12	M96.25	27	900 036 023 02	cover B 18		4	
9	N 987 105 116 00	exhaust valve	07-	12	N97.20	28	996 104 042 03	housing cam follower hydraulic		2	
(9)	996 105 247 00	exhaust valve	-06	12	M96.26						
(9)	P 996 105 273 03	exhaust valve	07-	12	M97.21						
10	996 105 115 52	valve stem seal		24		29	900 385 017 09	torx screw M 6 X35		22	
11	996 105 117 51	concave washer		24		30	996 104 203 00	gasket		6	
12	996 105 119 56	valve spring		24		31	996 104 215 54	cover		4	
13	996 105 121 54	concave washer		24		32	996 104 216 02	cover		2	
14	996 105 123 51	valve collet		48		33	999 701 761 40	o-ring 28 X 2		6	
15	997 606 106 01	hall sender		2		34	999 385 003 09	torx screw M 6 X 30		16	
16	999 707 404 40	o-ring 17,05 X 1,78		2		35	900 385 048 04	torx screw M 6 X 30		24	
17	900 387 264 09	pan-head screw M 6 X 16		2		36	900 219 018 30	screw plug M 14 X 1,5		1	
18	---	housing intake matching with: cylinder head		2		37	900 123 104 30	sealing ring A 14 X 18		1	
19	900 385 017 09	torx screw M 6 X 35		12		38	996 105 703 01	oil strainer		2	
20	900 385 025 09	torx screw M 6 X 40		4		39	996 105 303 05	actuator camshaft		2	
21	000 043 204 46	sleeve for valve stem seal		1		40	996 105 903 05	o-ring actuator camshaft		2	
22	996 104 170 10	cylinder head gasket		2	M96.25	41	996 105 244 03	cover actuator		2	
(22)	996 104 170 60	cylinder head gasket		2	M96.26	42	996 105 256 01	support		2	
23	996 104 180 58	screw M 10 X 230		24		43	999 651 386 02	cable clamp 5,5 - 9,0		2	
24	999 507 075 40	cable holder 3,0 - 12		3							

Model	Year	MG	SG	Illustration	Restrictions	Update	18:23	24.08.2006	PORSCHE	PET	PORSCHE
987	07	1	03	103-00		203					

Pos	Part Number	Name	Remarks	Qty	Model	Pos	Part Number	Name	Remarks	Qty	Model
44	900 387 006 09	pan-head screw M 6 X 20		4							
45	986 606 203 02	oil pressure switch		1							
46	997 606 106 01	hall sender		2							
47	999 707 404 40	o-ring 17,05 X 1,78		2							
48	900 387 264 09	pan-head screw M 6 X 16		2							
		- - - E N D - - -									

Model	Year	MG	SG	Illustration	Restrictions	Update	18:23	24.08.2006	PORSCHE	PET	PORSCHE
987	07	1	03	103-10		203					

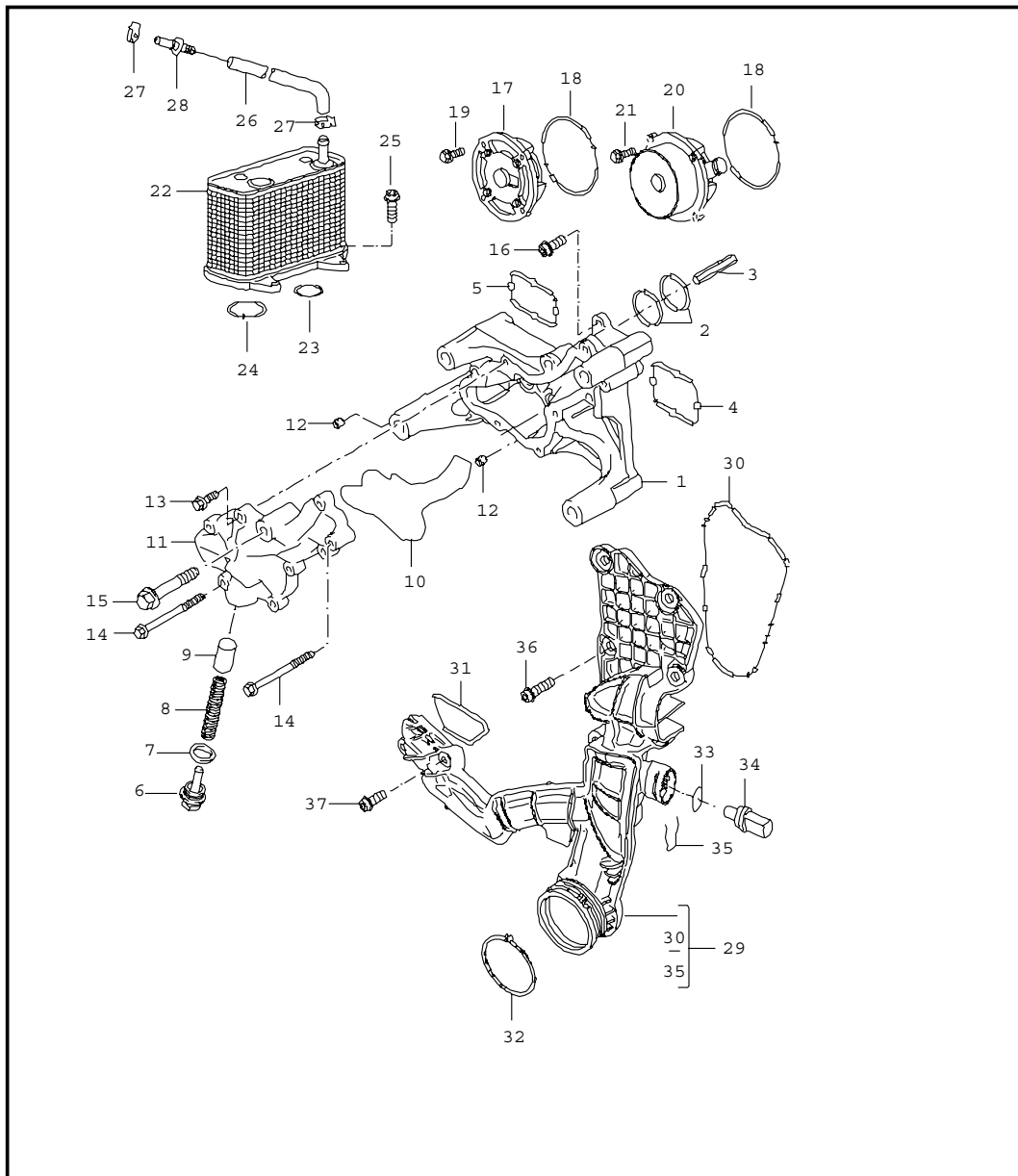


Pos	Part Number	Name	Remarks	Qty	Model
		camshaft driving mechanism	-06 -06 07- 07-		M96.25 M96.26 M97.21 M97.20
1	996 105 921 00	camshaft intake cyl. 1 - 3		1	M96.26
(1) P	997 105 947 00	camshaft intake cyl. 1 - 3	07-	1	M97.21
(1)	996 105 921 20	camshaft intake cyl. 1 - 3		1	M96.25
(1) N	987 105 951 00	camshaft intake cyl. 1 - 3	07-	1	M97.20
2	996 105 065 01	camshaft exhaust cyl. 1 - 3		1	M96.25
(2) N	987 105 065 04	camshaft exhaust cyl. 1 - 3	07-	1	M97.20
(2)	996 105 063 01	camshaft exhaust cyl. 1 - 3		1	M96.26
(2) P	996 105 059 01	camshaft exhaust cyl. 1 - 3	07-	1	M97.21
3	996 105 916 00	camshaft intake cyl. 4 - 6		1	M96.26
(3) P	997 105 948 00	camshaft intake cyl. 4 - 6	07-	1	M97.21
(3)	996 105 916 20	camshaft intake cyl. 4 - 6		1	M96.25
(3) N	987 105 952 00	camshaft intake cyl. 4 - 6	07-	1	M97.20
4	996 105 066 26	camshaft exhaust cyl. 4 - 6		1	M96.25

Model	Year	MG	SG	Illustration	Restrictions	Update	18:23	24.08.2006	PORSCHE	PET	PORSCHE
987	07	1	03	103-10		203					

Pos	Part Number	Name	Remarks	Qty	Model	Pos	Part Number	Name	Remarks	Qty	Model
(4)	N 987 105 066 04	camshaft exhaust cyl. 4 - 6	07-	1	M97.20	22	996 105 166 51	guide piece		1	
(4)	996 105 064 27	camshaft exhaust cyl. 4 - 6		1	M96.26	23	900 075 486 01	screw M 6 X 40		3	
(4)	P 997 105 060 01	camshaft exhaust cyl. 4 - 6	07-	1	M97.21	24	996 105 186 01	chain adjuster		1	
5	996 105 041 72	hydraulic valve tappet		24		25	999 707 344 40	o-ring 18,77 X 1,78		4	
6	996 105 168 03	rail		2		26	996 105 152 00	timing chain		2	
7	996 105 203 00	washer		2		27	996 105 178 54	sprocket with driver		2	
8	996 104 205 06	bearing sleeve		2		28	996 105 280 50	ring		1	
9	996 105 051 03	camshaft adjuster camshaft intake cylinder cyl. 1 - 3		1		30	996 105 156 00	tensioner blade cylinder 1 - 3		1	
(9)	996 105 052 01	camshaft adjuster camshaft intake cylinder cyl. 4 - 6		1		(30)	996 105 158 00	tensioner blade cylinder 4 - 6		1	
11	U 996 105 254 00	hexagon-head bolt		2		31	996 105 062 01	screw M 6		6	
11	987 105 254 00	hexagon-head bolt		2		32	999 707 346 40	o-ring 15 X 3		6	
12	996 105 901 02	intermediate shaft		1		33	996 105 054 01	guide piece cylinder 1 - 3		1	
13	996 105 024 01	housing		1		(33)	996 105 164 00	guide piece cylinder 4 - 6		1	
14	999 707 392 40	o-ring 7 X 2		1		34	996 105 188 01	chain adjuster		1	
16	999 076 084 01	hexagon nut M 12 x 1,25		1		35	996 105 180 56	chain adjuster		1	
17	996 105 171 56	timing chain		1		36	996 105 197 00	pressure pin		1	
18	996 105 165 55	tensioner blade		1		37	900 123 147 30	sealing ring A 27 X 32		3	
19	996 105 195 00	pad		1		39	996 105 112 01	gasket		1	
20	900 234 040 01	shim 10 X 16 X 1,2		1		40	996 105 301 03	actuator see illustrations 1/03/00		2	
21	900 041 004 01	circlip 10 X 1		1				- - - E N D - - -			

Model	Year	MG	SG	Illustration	Restrictions	Update	18:23	24.08.2006	PORSCHE	PET	PORSCHE
987	07	1	04	104-00		203					

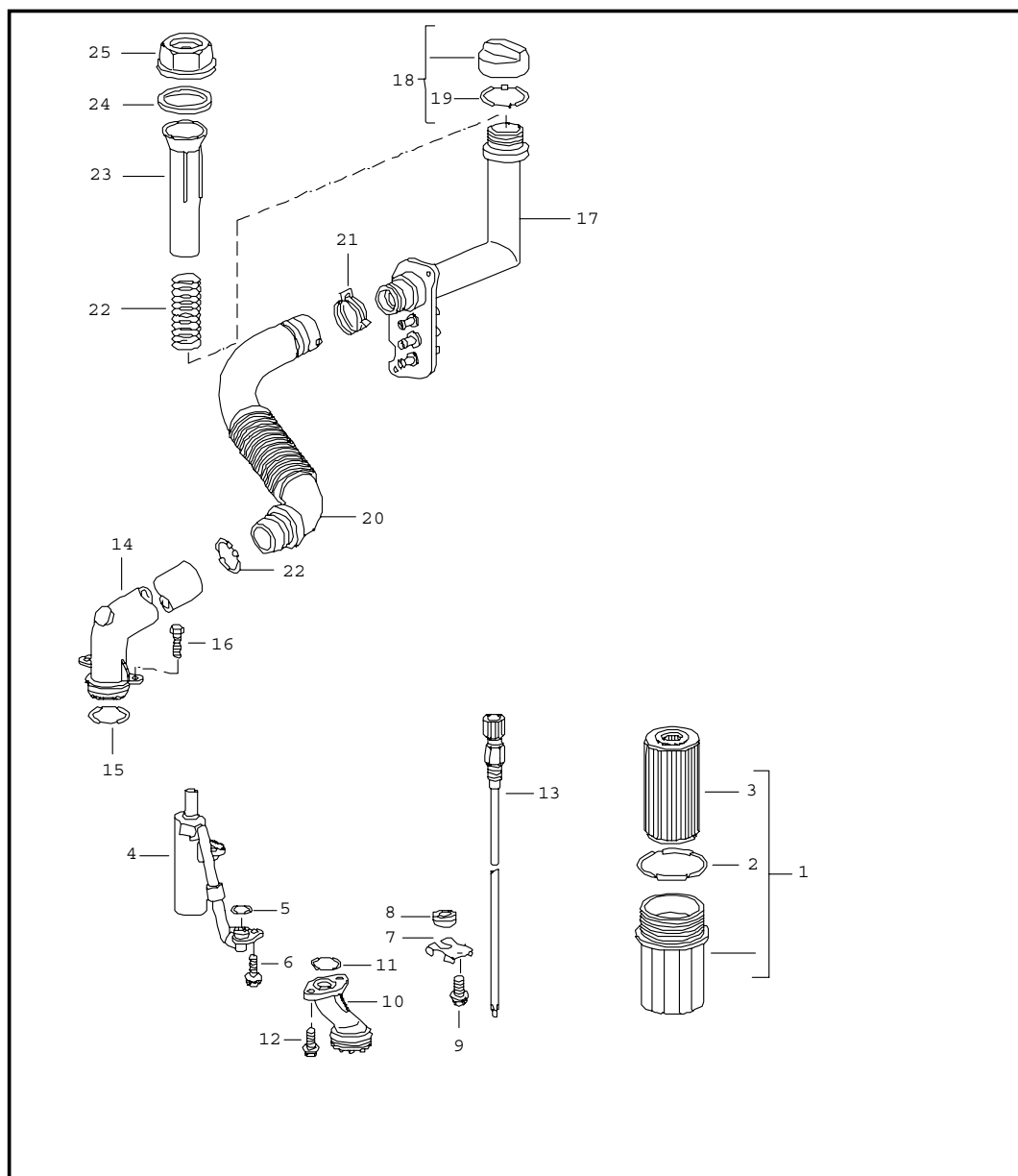


Pos	Part Number	Name	Remarks	Qty	Model
		oil pump tandem pump	-06 -06 07- 07-		M96.25 M96.26 M97.21 M97.20
1	997 107 012 04	oil pump		1	
2	996 107 103 51	o-ring 29,1 X 2,55 use also: grease 000 043 300 13		2	
3	996 107 121 50	driver		1	
4	997 107 266 00	sealing ring		1	
5	997 107 267 00	sealing ring		1	
6	996 107 105 51	screw plug		1	
7	996 107 123 50	gasket		1	
8	996 107 127 53	spring		1	
9	997 107 125 01	piston		1	
10	997 107 261 00	sealing ring		1	
11	997 107 212 03	cover for 997 107 012 04		1	
12	996 106 103 50	dowel sleeve		2	
13	900 385 023 09	screw BM 6 X 25		6	
14	999 073 355 09	round head screw M 6 X 80		2	
15	900 385 089 09	torx screw BM 10 X 100		1	
16	999 073 344 04	round head screw M 6 X 20		6	
17	997 107 021 03	oil pump		1	
18	999 707 554 40	o-ring 95 X 2,5 use also: grease 000 043 300 13		2	
19	999 073 316 09	hexagon-head bolt M 6 X 20		4	

Model	Year	MG	SG	Illustration	Restrictions	Update	18:23	24.08.2006	PORSCHE	PET	PORSCHE
987	07	1	04	104-00		203					

Pos	Part Number	Name	Remarks	Qty	Model	Pos	Part Number	Name	Remarks	Qty	Model
20	997 107 022 01	tandem pump		1							
21	999 073 317 09	round head screw M 6 X 30		4							
22	996 107 025 07	heat exchanger		1							
23	999 707 547 40	o-ring 28 X 3		2							
24	999 707 389 40	o-ring 35 X 4		2							
25	900 387 264 09	pan-head screw M 6 X 16		4							
26	987 106 249 00	breather hose		1							
27	999 512 650 09	hose clamp B 14 X 12		2							
28	996 106 255 00	flat connector		1							
29	987 106 508 04	water guide housing		1							
30	997 106 709 00	sealing ring		1							
31	997 106 708 00	sealing ring		1							
32	997 106 802 03	spring SCB 42		1							
33	999 707 508 40	o-ring 19,6 X 3,65		1							
34	997 606 410 00	temperature sensor		1							
35	999 021 011 01	retainer spring SL-B110		1							
36	999 073 352 09	round head screw M 6 X 35		5							
		- - - E N D - - -									

Model	Year	MG	SG	Illustration	Restrictions	Update	18:24	24.08.2006	PORSCHE	PET	PORSCHE
987	07	1	04	104-05		203					

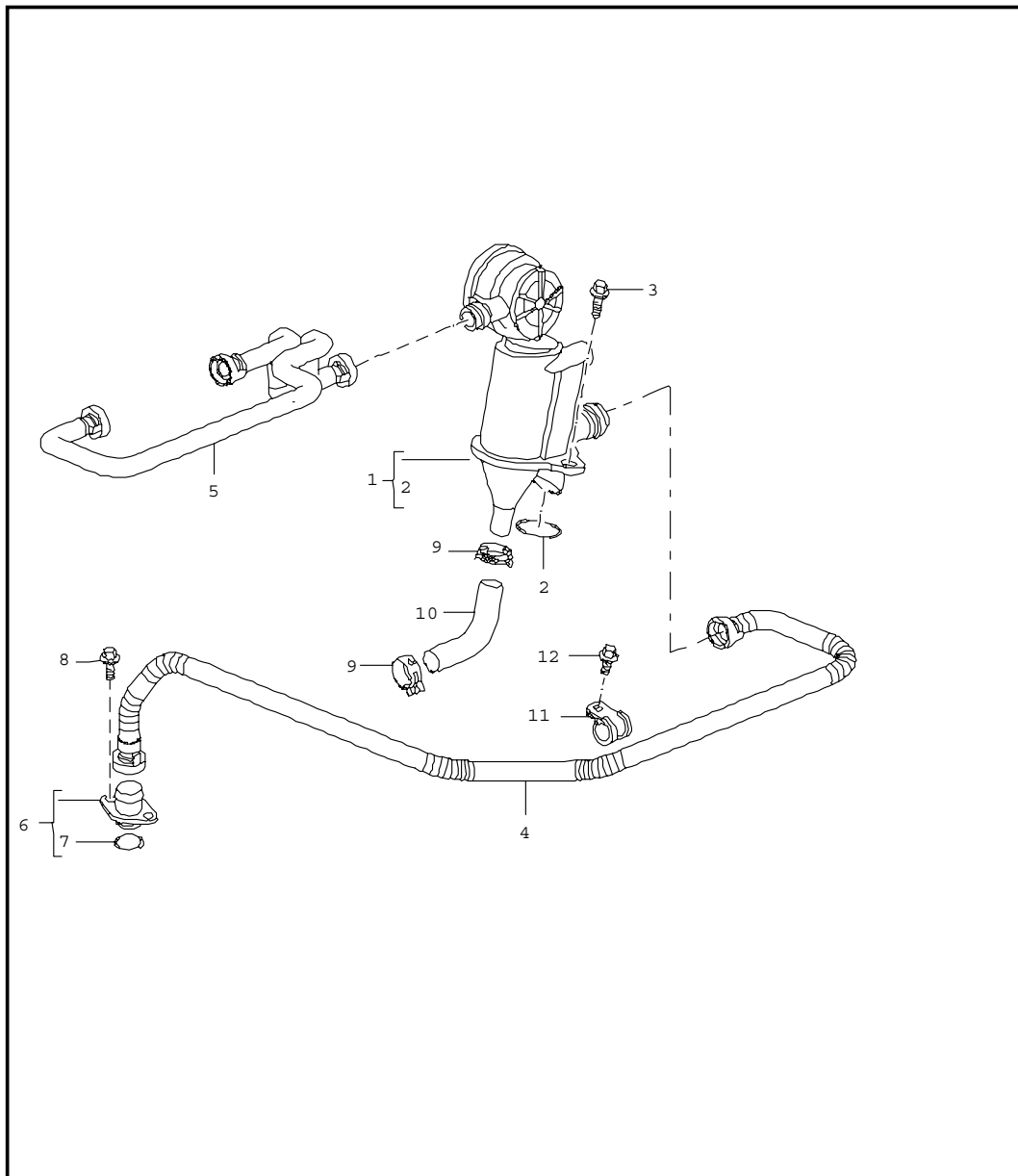


Pos	Part Number	Name	Remarks	Qty	Model
		engine lubrication	-06 -06 07- 07-		M96.25 M96.26 M97.21 M97.20
1	996 107 020 55	oil filter		1	
2	996 107 313 51	sealing ring use also: grease 000 043 300 13		1	
3	996 107 225 60	filter element		1	
4	996 107 080 54	oil separator		2	
5	999 701 789 40	o-ring 12 X 2		2	
6	999 073 344 04	round head screw BM 6 X 20		5	
7	996 107 333 50	support		1	
8	999 702 206 50	grommet 9,5 X 18,0 X 1,2		1	
9	900 385 275 09	torx screw M 6 X 20		2	
10	996 107 075 57	suction tube		1	
11	999 707 375 40	o-ring 30 X 3		1	
12	900 378 030 09	hexagon-head bolt M 6 X 20		2	
13	996 606 150 00	oil-level sender		1	
14	987 107 150 00	oil tube		1	
15	999 707 348 40	o-ring 42 X 4 use also: grease 000 043 300 13		1	
16	900 385 050 09	torx screw M 6 X 16		2	
17	996 107 273 05	filler tube		1	
18	996 107 035 52	cover		1	
19	996 107 336 00	gasket		1	
20	987 107 254 01	oil hose		1	

Model	Year	MG	SG	Illustration	Restrictions	Update	18:24	24.08.2006	PORSCHE	PET	PORSCHE
987	07	1	04	104-05		203					

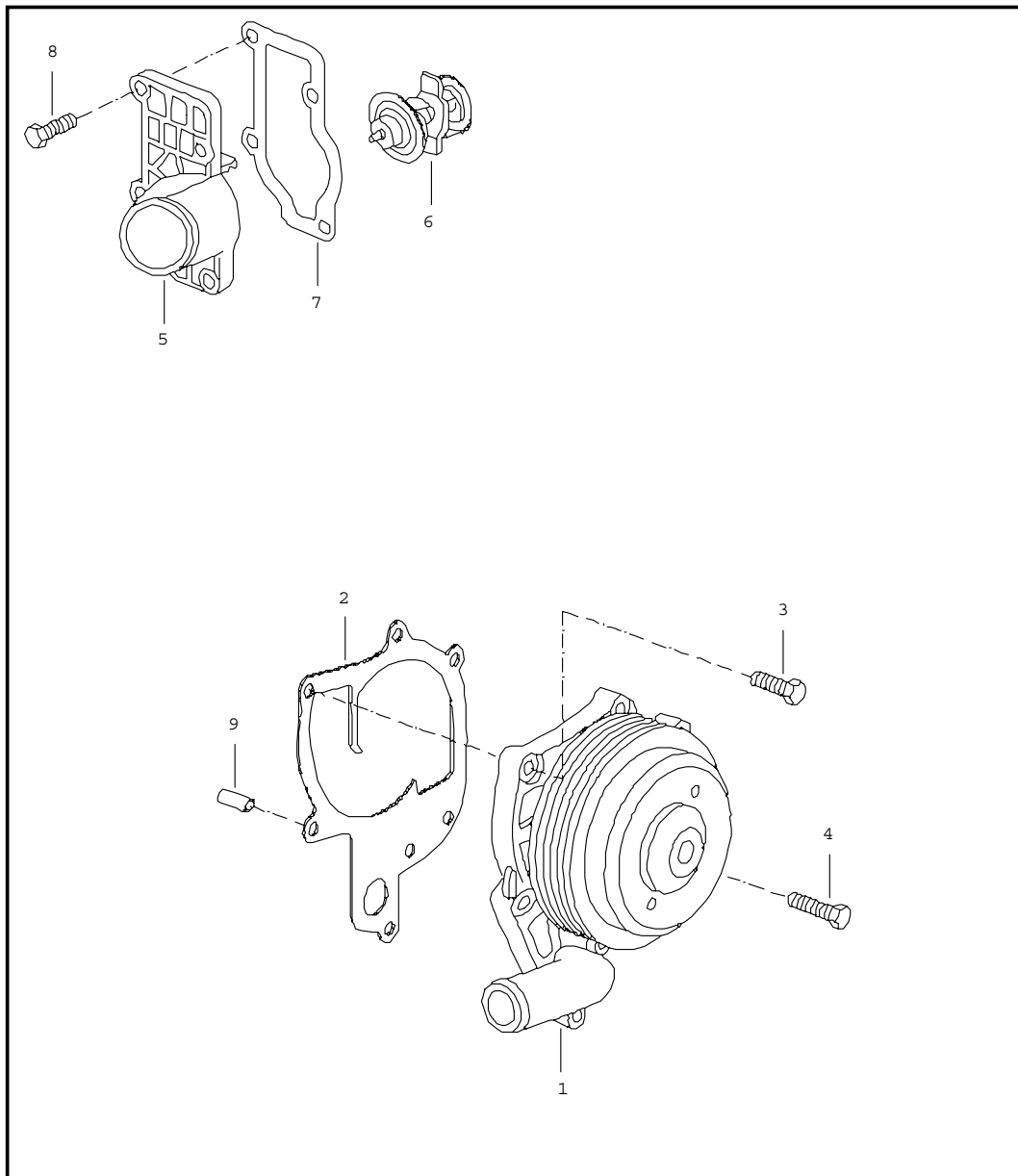
Pos	Part Number	Name	Remarks	Qty	Model	Pos	Part Number	Name	Remarks	Qty	Model
21	999 512 667 09	hose clamp 44 X 12		1							
22	999 701 416 40	o-ring 33 X 4		1							
23	996 107 343 00	spring		1							
24	996 107 323 00	funnel		1							
25	996 107 303 00	gasket		1							
26	996 107 367 00	lock nut		1							
- - - E N D - - -											

Model	Year	MG	SG	Illustration	Restrictions	Update	18:24	24.08.2006	PORSCHE	PET	PORSCHE
987	07	1	04	104-10		203					



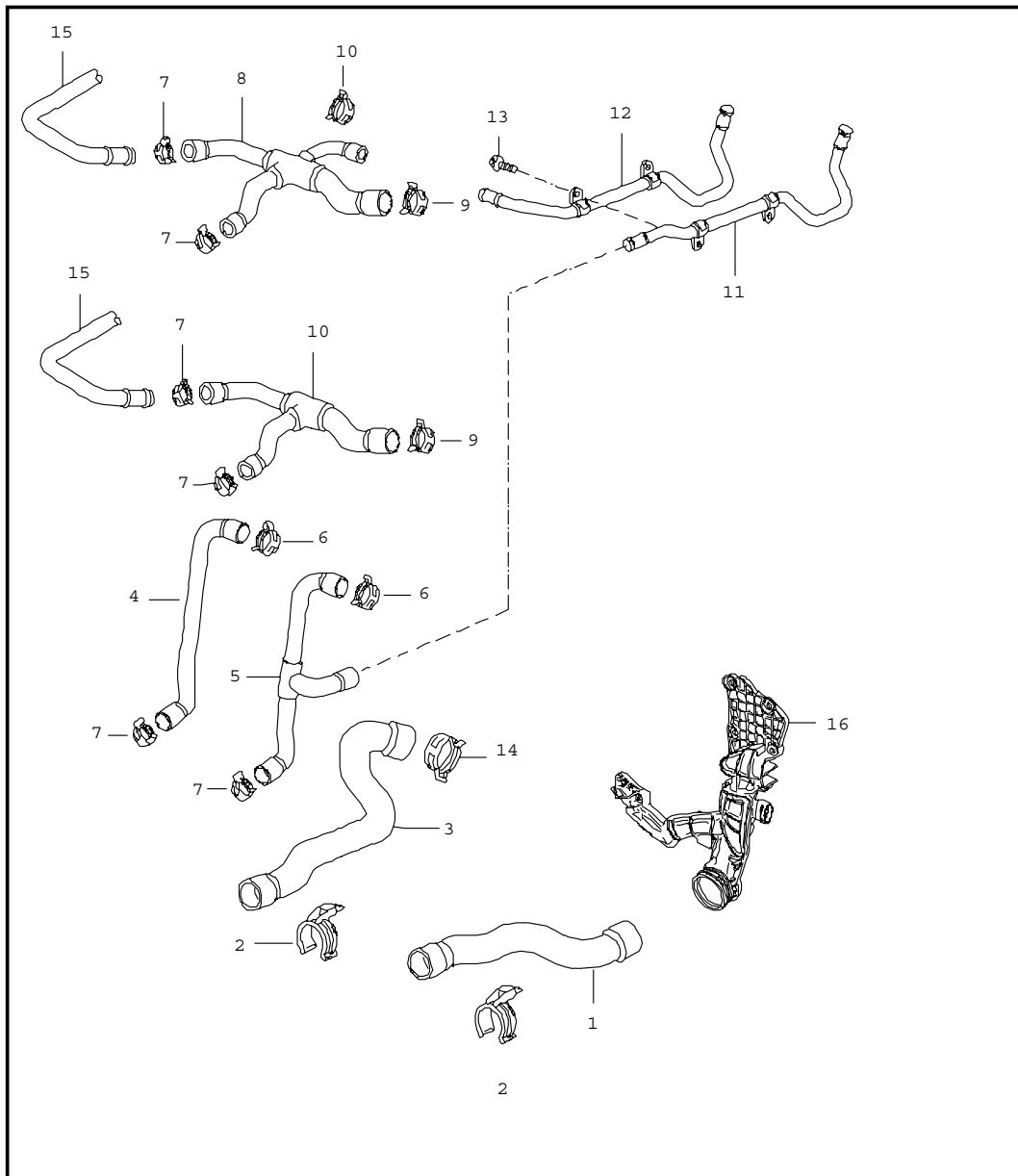
Pos	Part Number	Name	Remarks	Qty	Model
		crankcase bleeding	-06 -06 07- 07-		M96.25 M96.26 M97.21 M97.20
1	996 107 026 00	oil separator		1	
2	999 707 507 40	o-ring 29,74 X 2,95		1	
3	900 385 275 09	torx screw M 6 X 20		2	
4	987 107 147 01	vent line		1	
5	987 107 146 02	vent line		1	
6	996 107 047 01	connection piece		1	
7	999 707 364 40	sealing ring 30 X 2,5		1	
8	900 385 050 09	torx screw M 6 X 16		3	
9	999 512 683 09	clip 23 X 12		2	
10	996 107 175 50	oil hose		1	
11	999 511 008 00	clip 26 X 15		1	
12	900 385 041 09	torx screw M 6 X 12		1	
		- - - E N D - - -			

Model	Year	MG	SG	Illustration	Restrictions	Update	18:24	24.08.2006	PORSCHE	PET	PORSCHE
987	07	1	05	105-00		203					



Pos	Part Number	Name	Remarks	Qty	Model
		water pump thermostat housing	-06 -06 07- 07-		M96.25 M96.26 M97.21 M97.20
1	997 106 011 02	water pump		1	
2	997 106 340 00	gasket		1	
3	---	hexagon-head bolt M 6 X 25		5	
4	900 385 048 04	torx screw M 6 X 30		2	
5	996 106 013 57	thermostat with thermostat insert		1	
6	996 106 125 52	thermostat insert		1	
7	996 106 326 50	gasket		1	
8	---	hexagon-head bolt M 6 X 20		4	
9	996 106 103 50	dowel sleeve 8,2 X 7		2	
		- - - E N D - - -			

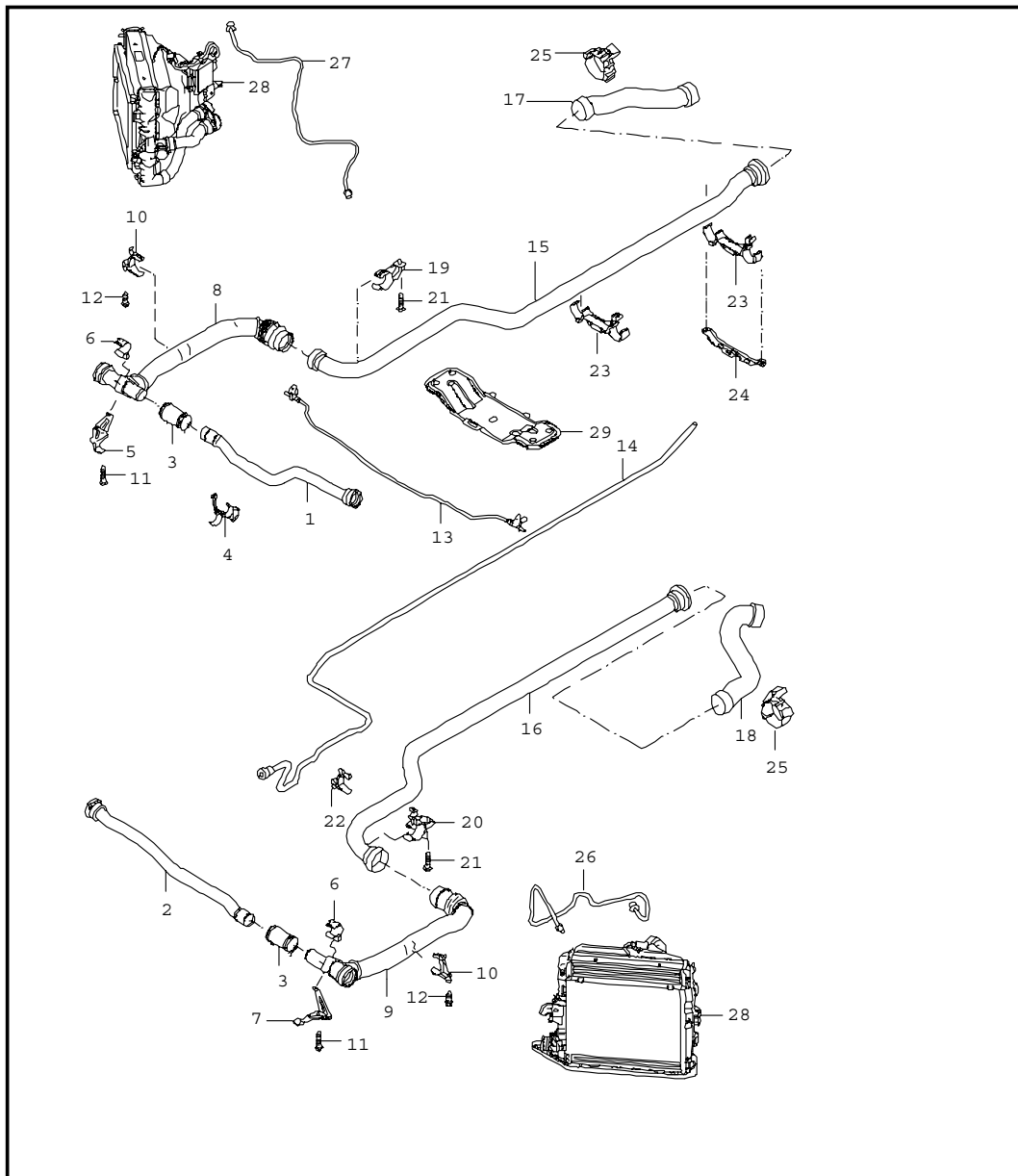
Model	Year	MG	SG	Illustration	Restrictions	Update	18:24	24.08.2006	PORSCHE	PET	PORSCHE
987	07	1	05	105-05		203					



Pos	Part Number	Name	Remarks	Qty	Model
		water cooling 1	-06 -06 07- 07-		M96.25 M96.26 M97.21 M97.20
1	U 987 106 501 05	water hose		1	
1	987 106 501 06	water hose supply		1	
2	999 512 348 02	hose clamp		2	
3	987 106 502 03	water hose return		1	
4	996 106 212 09	water hose supply		1	I480/481
5	996 106 212 10	hose supply		1	I249
6	999 512 660 09	hose clamp 29 X 12		1	
7	999 512 657 09	hose clamp 26 X 12		4	
8	987 106 522 01	water hose return		1	I249
9	999 512 664 09	hose clamp 36 X 12		1	
10	996 106 222 15	water hose return		1	I480/481
11	987 106 674 00	cooling water tube supply atf cooler		1	I249 I249
12	996 106 672 01	cooling water tube return atf cooler		1	I249
13	900 385 009 09	torx screw BM 6 X 16		2	I249
14	999 512 669 09	hose clamp 53 X 12		1	
15	---	see illustrations 1/05/20		1	
16	---	see illustrations 1/04/00		1	

- - - E N D - - -

Model	Year	MG	SG	Illustration	Restrictions	Update	18:24	24.08.2006	PORSCHE	PET	PORSCHE
987	07	1	05	105-10		203					

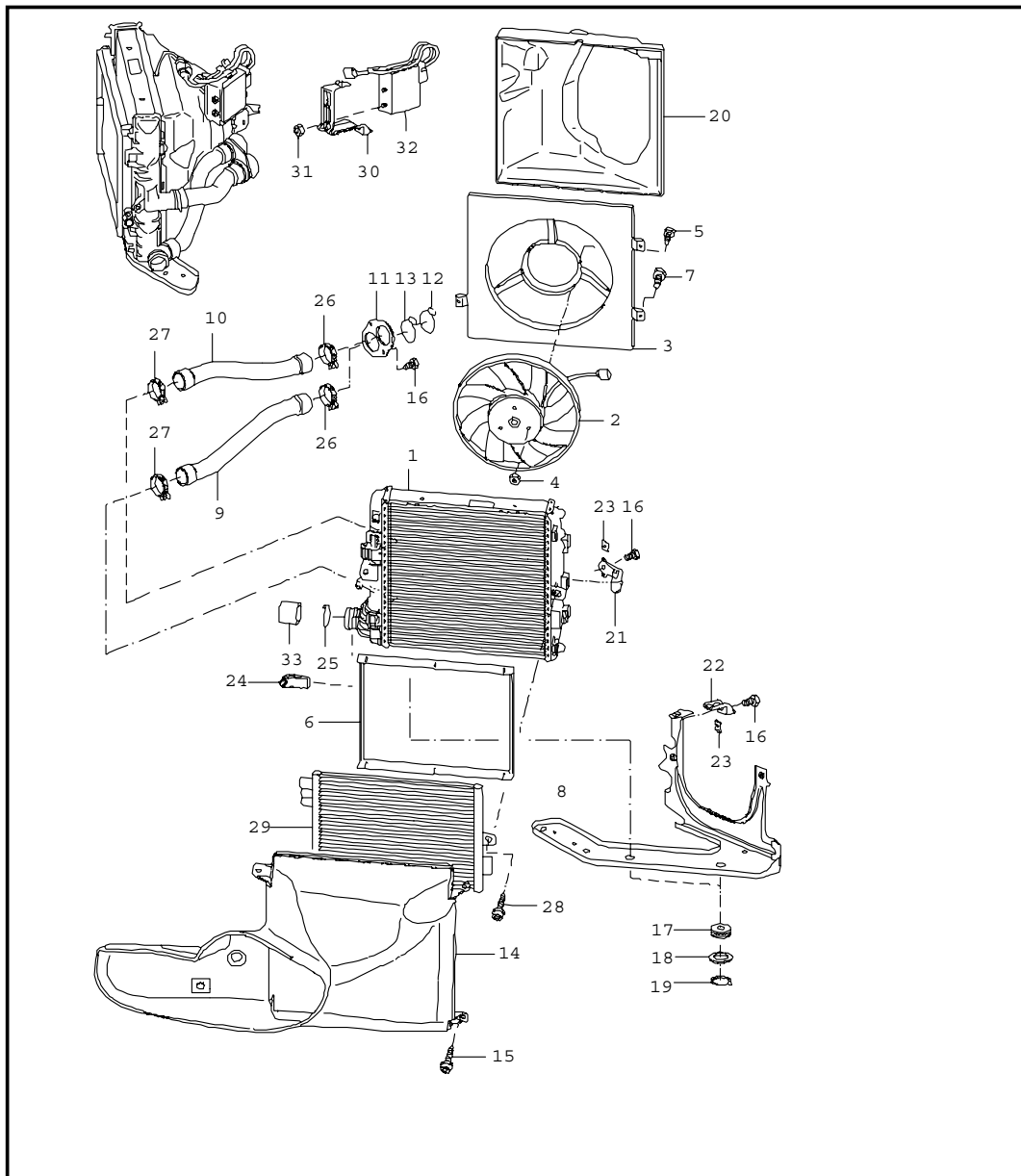


Pos	Part Number	Name	Remarks	Qty	Model
		water cooling 2	-06 -06 07- 07-		M96.25 M96.26 M97.21 M97.20
1	997 106 711 01	water tube supply		1	
2	997 106 720 01	water tube return		1	
3	997 106 723 04	water hose		2	
4	997 106 525 01	support cross tube centre		1	
5	997 106 574 02	support distributor tube right		1	
6	997 106 526 01	support cross tube upper		2	
7	997 106 573 02	support distributor tube left		1	
8	997 106 751 03	distributor tube supply		1	
9	997 106 752 03	distributor tube return		1	
10	997 106 413 01	support distributor tube		2	
(10)	997 106 413 01	support distributor tube	/R	1	I601
(10)	997 106 414 00	support distributor tube	/L	1	I601
11	900 378 013 09	hexagon-head bolt M 6 X 25		2	
12	900 378 036 09	hexagon-head bolt M 6 X 12		2	
13	997 106 767 02	vent line transverse		1	
14	987 106 227 01	vent line tunnel		1	

Model	Year	MG	SG	Illustration	Restrictions	Update	18:24	24.08.2006	PORSCHE	PET	PORSCHE
987	07	1	05	105-10		203					

Pos	Part Number	Name	Remarks	Qty	Model	Pos	Part Number	Name	Remarks	Qty	Model
15	987 106 651 02	water tube supply tunnel		1							
(15)	987 106 851 01	water tube supply tunnel		1	M96.25 I480						
16	987 106 652 02	water tube return tunnel		1							
(16)	987 106 652 02	water tube return tunnel		1	M96.25 I480						
17	---	see illustrations 1/05/05		1							
18	---	see illustrations 1/05/05		1	I480						
19	997 106 520 02	support firewall right		1							
20	997 106 521 01	support firewall left		1							
21	900 378 035 09	hexagon-head bolt M 6 X 16		2							
22	997 106 512 03	connection piece vent line		1							
23	997 106 540 02	support tunnel		2							
24	997 106 515 02	bridge tunnel		1							
25	987 106 425 00	support heel plate		1							
26	997 106 765 02	line	/L	1							
27	997 106 766 02	line	/R	1							
28	---	see illustrations 1/05/15		X							
29	---	see illustrations 8/01/70		X							
		- - - E N D - - -									

Model	Year	MG	SG	Illustration	Restrictions	Update	18:25	24.08.2006	PORSCHE	PET	PORSCHE
987	07	1	05	105-15		203					

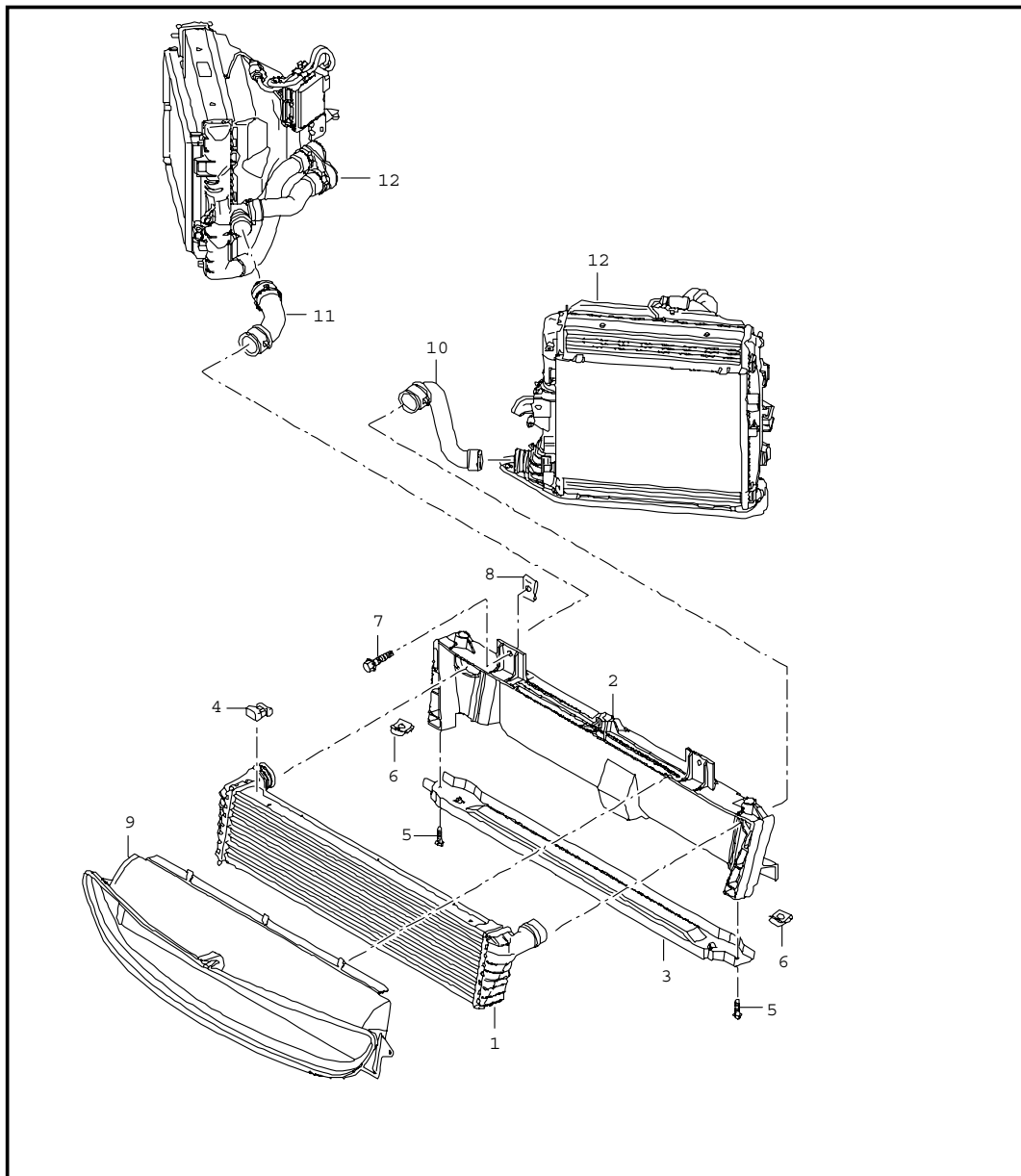


Pos	Part Number	Name	Remarks	Qty	Model
		water cooling 3	-06 -06 07- 07-		M96.25 M96.26 M97.21 M97.20
1	997 106 131 02	radiator	/L	1	
(1)	997 106 132 02	radiator	/R	1	
2	997 624 135 02	fan	/L	2	
(2)	997 624 136 02	fan	/R	2	
3	997 624 131 02	air box	/L	2	
(3)	997 624 132 02	air box	/R	2	
4	900 377 001 02	hexagon nut M 6		6	
5	900 146 116 09	screw M 5 X 16		6	
6	997 573 711 00	sealing frame		1	
7	999 919 125 09	hexagon-head bolt plastic material M 5 X 16		6	
8	997 106 155 01	bracket	/L	1	
(8)	997 106 156 01	bracket	/R	1	
9	997 106 621 03	water hose supply	/L	1	
(9)	997 106 622 03	water hose supply	/R	1	
10	997 106 625 03	water hose return	/L	1	
10	997 106 626 03	water hose return	/R	1	
11	997 106 255 02	connecting piece		2	
12	997 106 802 01	spring SCB 33		1	
13	997 106 802 02	spring SCB 36		1	
14	987 575 321 00	air duct	/L	1	
(14)	987 575 322 00	air duct	/R	1	

Model	Year	MG	SG	Illustration	Restrictions	Update	18:25	24.08.2006	PORSCHE	PET	PORSCHE
987	07	1	05	105-15		203					

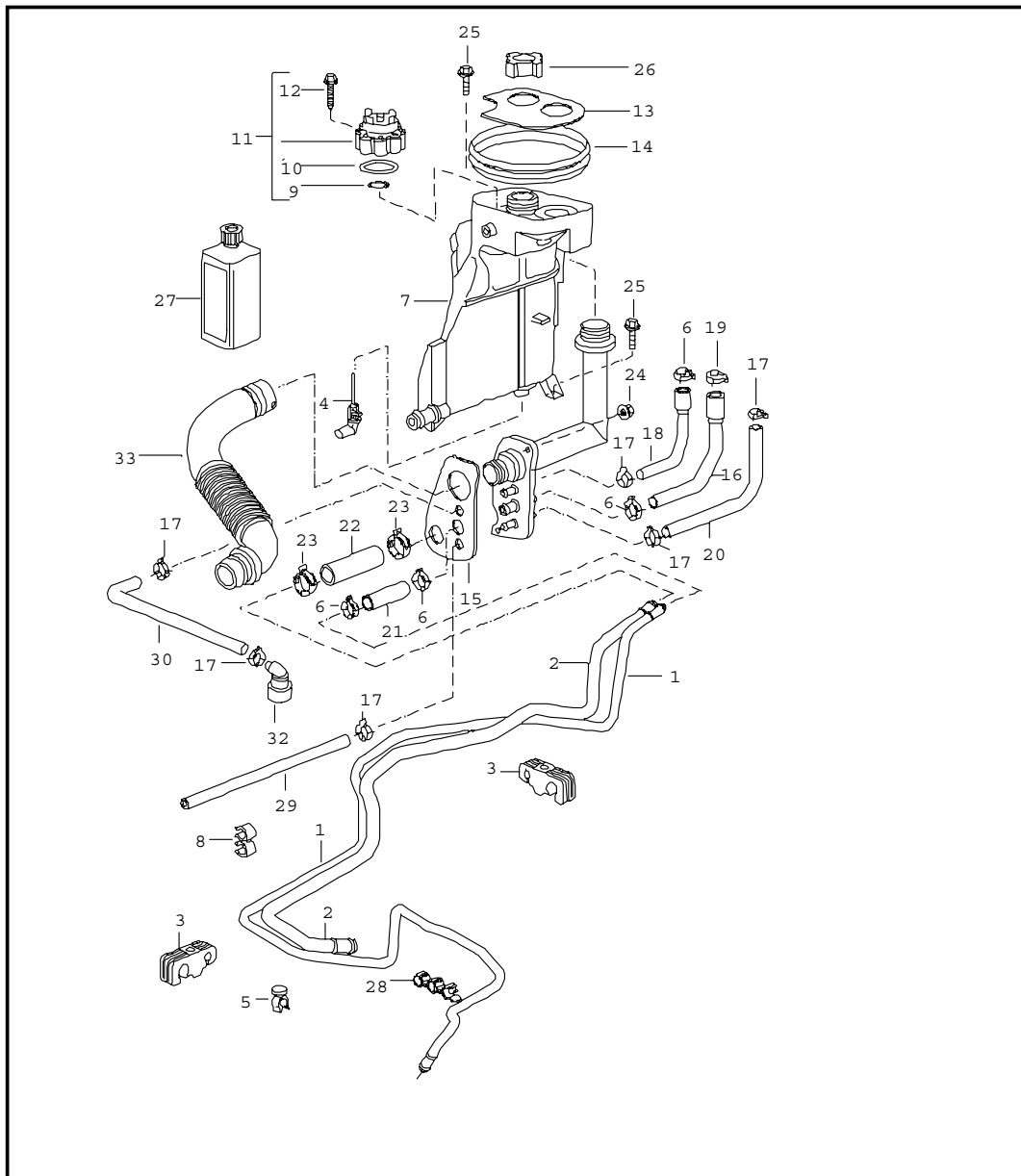
Pos	Part Number	Name	Remarks	Qty	Model	Pos	Part Number	Name	Remarks	Qty	Model
15	999 919 134 09	oval-head screw M 6 X 16		6							
16	900 385 009 09	torx screw M 6 X 16		6							
17	999 703 494 40	rubber mounting 15 X 19,5		6							
18	999 025 255 02	washer		4							
19	999 166 083 09	tab washer B 25		4							
20	997 575 341 00	air duct	/L	1							
(20)	997 575 342 00	air duct	/R	1							
21	997 106 232 01	support outer		2							
22	997 106 455 00	support left		1							
23	999 591 350 02	speed nut ST 4,8		6							
24	997 106 231 02	support inner		2							
25	997 106 802 00	spring SCB26		2							
26	---	clamp		2							
27	---	clamp		2							
28	---	screw		3							
29	---	condenser see illustrations 8/13/25		*							
30	997 106 456 00	support right		1							
31	900 377 010 09	hexagon nut M 6		2							
32	---	control unit cooling air control see illustrations 9/01/03		1							
33	997 106 546 01	plug		2							
- - - E N D - - -											

Model	Year	MG	SG	Illustration	Restrictions	Update	18:25	24.08.2006	PORSCHE	PET	PORSCHE
987	07	1	05	105-17		203					



Pos	Part Number	Name	Remarks	Qty	Model
		radiator centre	-06 07-		M96.25 I249 M97.20 I249
1	997 106 037 02	radiator		1	
2	997 504 487 00	retaining frame upper		1	
3	997 504 485 00	retaining frame lower		1	
4	997 106 437 00	rubber mounting		4	
5	900 378 035 09	hexagon-head bolt M 6 X 16		2	
6	999 591 882 02	speed nut M 6		2	
7	900 378 074 09	hexagon-head bolt M 8 X 16		4	
8	999 591 869 02	speed nut M 8		4	
9	987 575 323 00	air duct radiator centre		1	
10	997 106 639 03	hose return		1	
11	997 106 638 03	hose supply		1	
12	see illustrations 1/05/15		X	
- - - E N D - - -					

Model	Year	MG	SG	Illustration	Restrictions	Update	18:25	24.08.2006	PORSCHE	PET	PORSCHE
987	07	1	05	105-20		203					

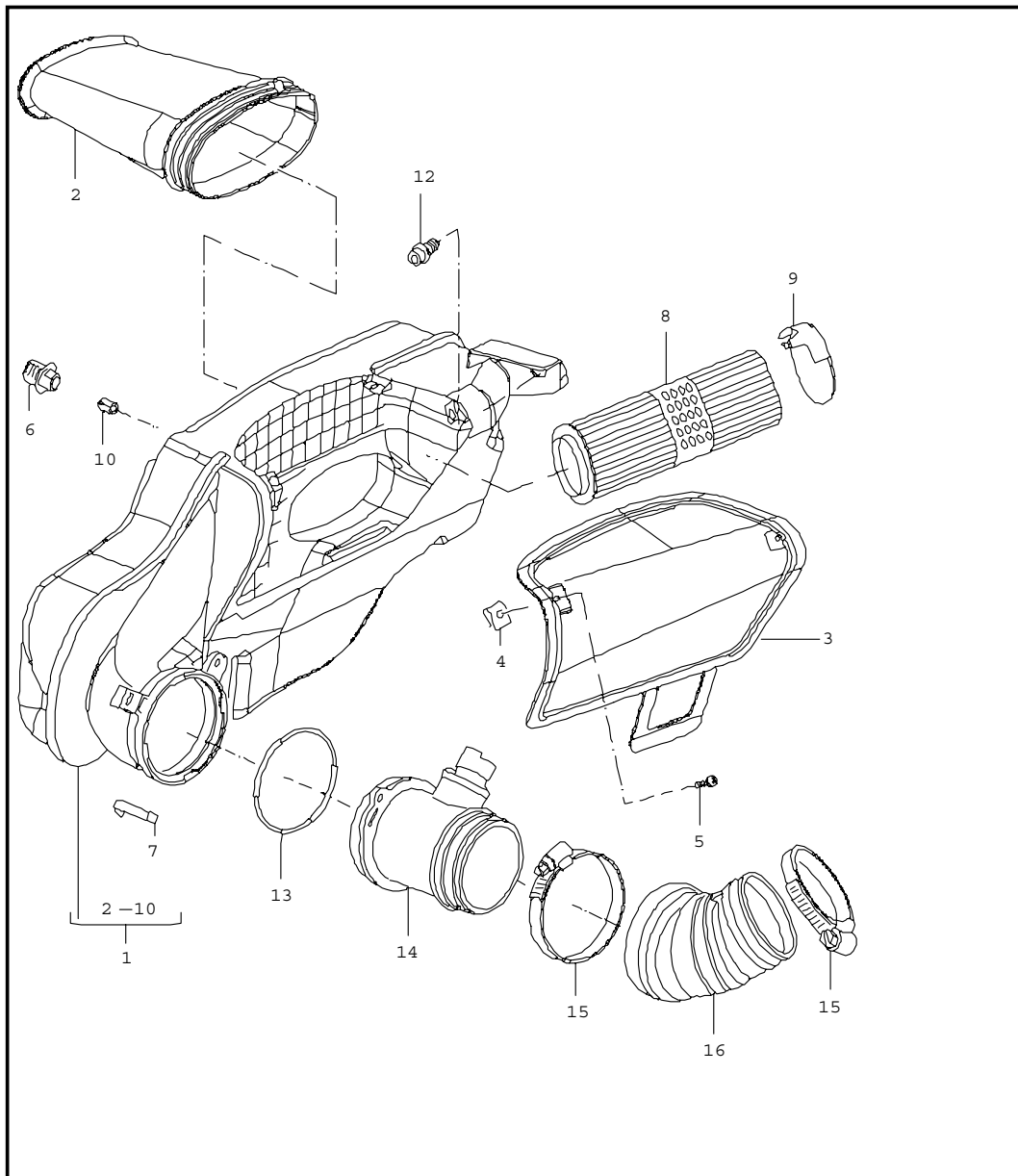


Pos	Part Number	Name	Remarks	Qty	Model
		water cooling 4	-06 -06 07- 07-		M96.25 M96.26 M97.21 M97.20
1	987 106 681 01	vent line		1	
2	987 106 663 00	filler tube		1	
3	999 591 140 40	holder		2	
4	996 641 503 00	switch		1	
5	999 507 743 40	cable holder vent line		2	
6	999 512 653 09	hose clamp 20 X 12		3	
7	996 106 147 07	expansion tank		1	
8	999 507 570 40	hose holder 11,0 / 18,0		2	
9	999 707 371 40	o-ring 17 X 4		1	
10	999 707 370 40	o-ring 47 X 4		1	
11	996 106 347 01	bleeder valve		1	
12	999 919 058 02	hexagon-head bolt 5,0 X 40		8	
13	996 106 234 01	cover		1	
14	986 504 644 00	gasket		1	
15	996 106 235 02	gasket		1	
16	996 106 237 02	hose		1	
17	999 512 651 09	hose clamp 15 X 12		3	
18	996 106 247 02	hose		1	
19	999 512 655 09	hose clamp 22 X 12		1	
20	996 106 287 03	overflow hose		1	
21	996 106 257 02	breather hose		1	
22	996 106 297 03	overflow hose		1	

Model	Year	MG	SG	Illustration	Restrictions	Update	18:25	24.08.2006	PORSCHE	PET	PORSCHE
987	07	1	05	105-20		203					

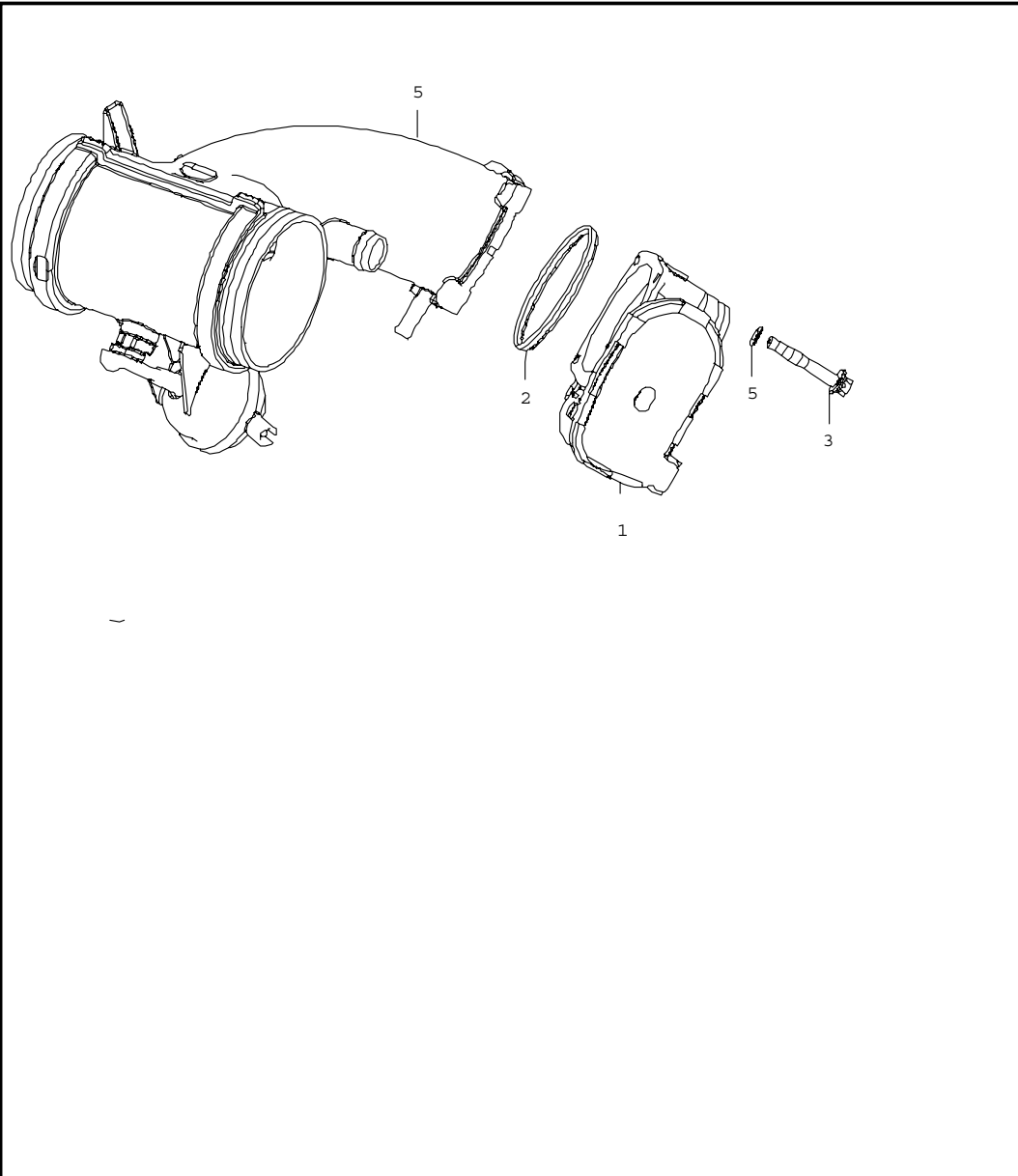
Pos	Part Number	Name	Remarks	Qty	Model	Pos	Part Number	Name	Remarks	Qty	Model
23	999 512 658 09	hose clamp 27 X 12		2							
24	999 076 071 02	hexagon nut M 6		2							
25	900 075 333 02	hexagon-head bolt M 6 X 25		8							
26	996 106 447 01	cover		1							
27	000 043 203 78	antifreeze protection 1 LTR. container		X							
(27) A	000 043 203 79	antifreeze protection 25 LTR. container		X							
(27)	000 043 300 31	antifreeze protection 20 LTR. container		X							
28	999 507 743 40	cable holder		1							
29	996 106 267 02	hose		1							
30	996 106 207 04	hose		1							
31	999 500 084 02	special nut M 6		2							
32	996 106 253 00	hose connection		1							
33	see illustrations 1/04/05		1							
		- - - E N D - - -									

Model	Year	MG	SG	Illustration	Restrictions	Update	18:25	24.08.2006	PORSCHE	PET	PORSCHE
987	07	1	06	106-00		203					



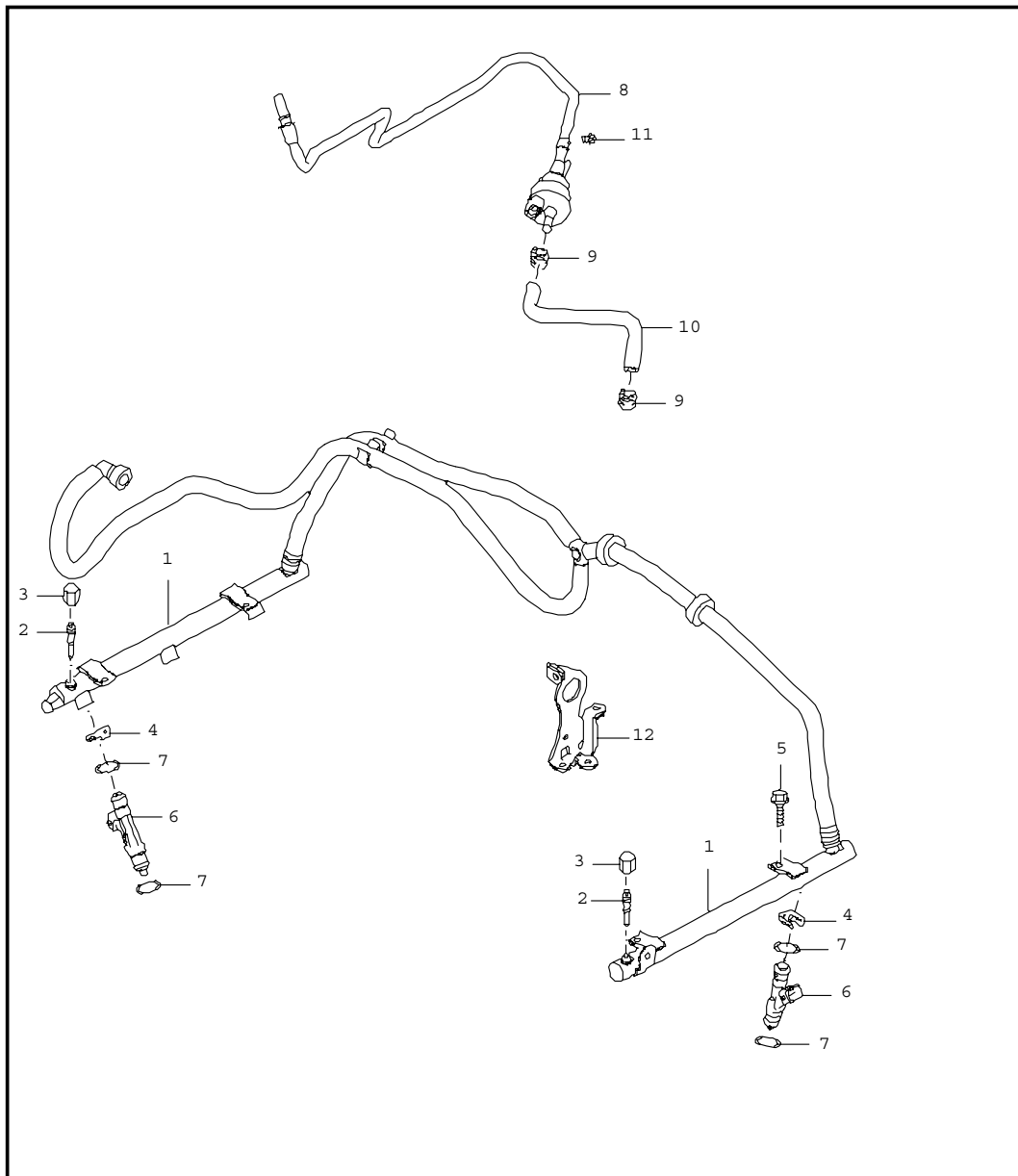
Pos	Part Number	Name	Remarks	Qty	Model
		air cleaner	-06 -06 07- 07-		M96.25 M96.26 M97.21 M97.20
1	987 110 021 00	air cleaner complete		1	
2	987 110 122 00	intake manifold		1	
3	987 110 131 00	housing cover		1	
4	999 507 442 02	speed nut		2	
5	900 143 095 09	tapping screw		3	
6	987 110 141 00	grommet		1	
7	993 110 116 01	clamp		1	
8	987 110 133 00	air cleaner cartridge		1	
9	987 110 134 00	mounting plate		1	
10	900 095 099 09	roll pin 12 X 14		3	
11	999 919 050 09	oval-head screw 4 X 12		1	
12	900 075 333 02	hexagon-head bolt M 6 X 25		1	
13	999 707 052 40	o-ring 91 X 6		1	
14	987 606 125 00	mass air flow		1	
15	999 512 542 00	hose clamp 80 - 100		2	
16	987 110 222 00	air box		1	
		- - - E N D - - -			

Model	Year	MG	SG	Illustration	Restrictions	Update	18:26	24.08.2006	PORSCHE	PET	PORSCHE
987	07	1	07	107-00		203					



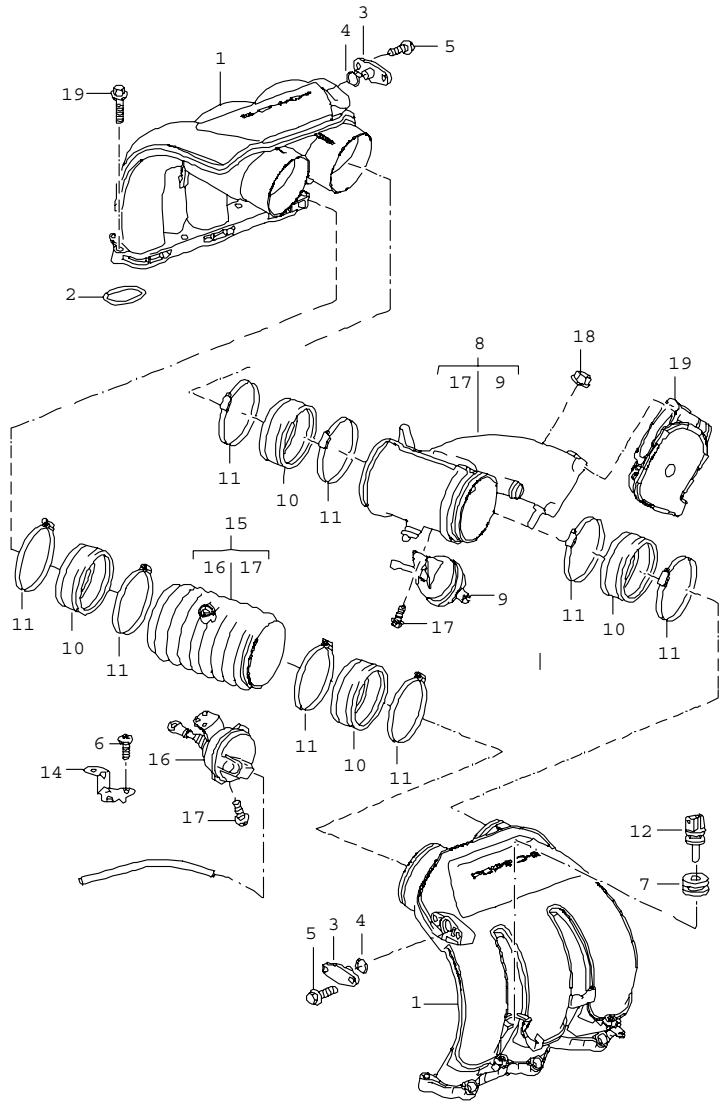
Pos	Part Number	Name	Remarks	Qty	Model
		throttle body	-06 -06 -07 -07		M96.25 M96.26 M97.21 M97.20
1	986 605 115 01	throttle body		1	
(1) P	997 605 115 01	throttle body		1	
2	996 110 319 00	gasket		1	
2 P	997 110 319 00	gasket distributor tube		1	
3	900 385 010 09	torx screw M 6 X 50		4	
4 P N	011 524 7	washer A 6,4		2	
5	---	intermediate piece see illustrations 1/07/10			
- - - E N D - - -					

Model	Year	MG	SG	Illustration	Restrictions	Update	18:26	24.08.2006	PORSCHE	PET	PORSCHE
987	07	1	07	107-05		203					



Pos	Part Number	Name	Remarks	Qty	Model
		fuel collection pipe	-06 -06 07- 07-		M96.25 M96.26 M97.21 M97.20
1	987 110 036 00	fuel collection pipe		1	
(1)	987 110 031 01	fuel collection pipe		1	
2	993 110 217 00	valve		1	
3	997 110 218 00	cap		1	
4	996 110 113 52	retaining clip		6	
5	900 385 041 09	torx screw M 6 X 12		4	
6	996 606 122 00	injector valve		6	
7	999 707 574 40	o-ring 7,52 X 3,51		12	
8	987 110 128 00	vent line		1	
9	999 512 650 09	hose clamp B 14 X 12		2	
10	987 110 137 02	breather hose		1	
11	999 919 125 09	hexagon-head bolt M 6 X 16		1	
12	996 101 213 56	holder		1	
- - - E N D - - -					

Model	Year	MG	SG	Illustration	Restrictions	Update	18:26	24.08.2006	PORSCHE	PET	PORSCHE
987	07	1	07	107-10		203					

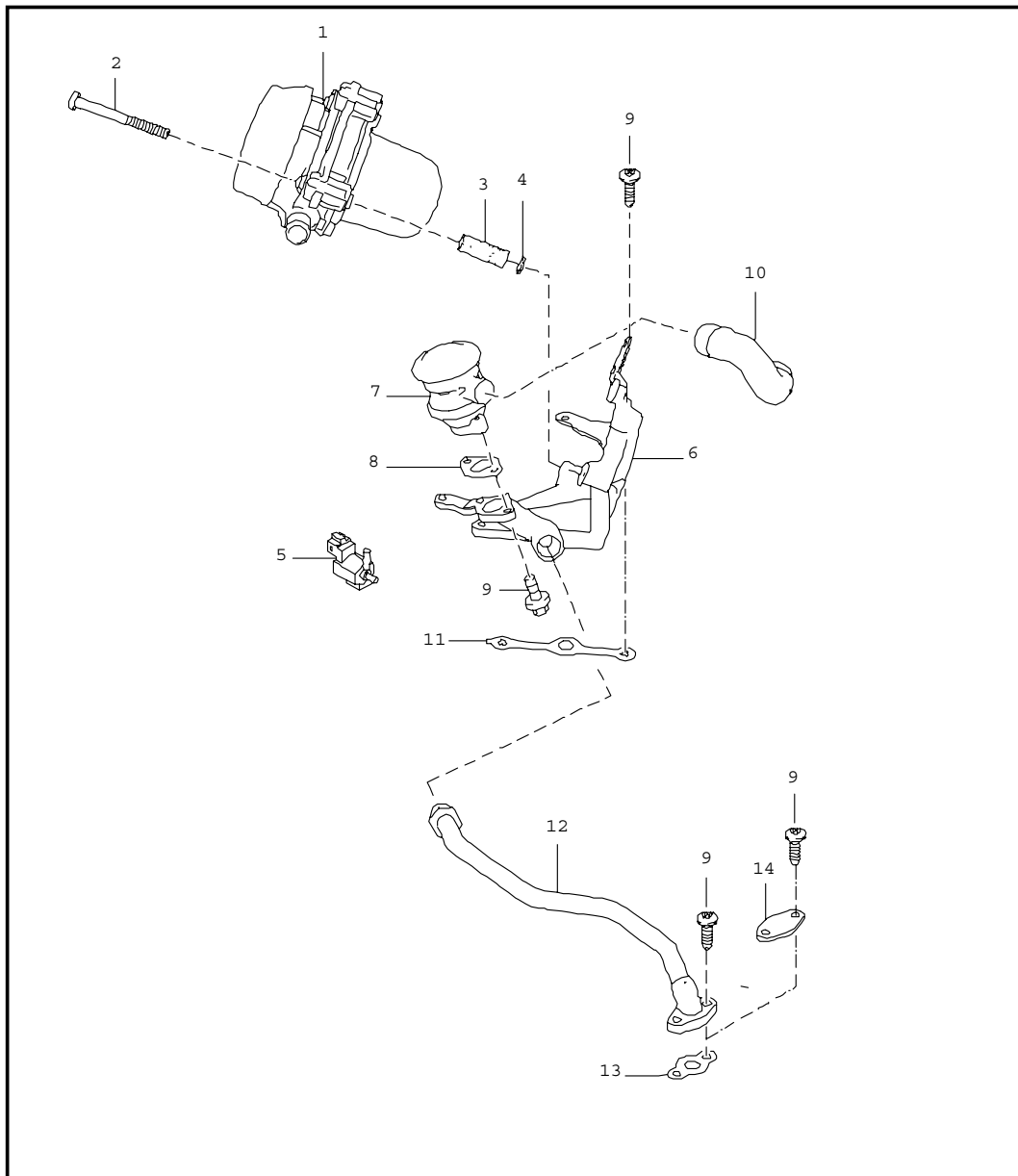


Pos	Part Number	Name	Remarks	Qty	Model
		intake distributor	-06		M96.25
			-06		M96.26
			07-		M97.21
			07-		M97.20
1	996 110 045 01	intake distributor	-06	2	M96.25/26
(1) P	997 110 036 01	intake distributor	07-	2	M97.21/20
2	996 110 247 03	gasket	-06	6	M96.25/26
(2) P	997 110 247 00	gasket	07-	6	M97.21/20
3	996 110 251 51	cover	-06	2	
4	999 701 163 40	o-ring 11,0 X 2,5	-06	2	
5	900 385 017 04	torx screw 6,0 X 16	-06	4	
6	900 385 041 09	torx screw BM 6 X 12	-06	1	
7	993 110 530 01	grommet		1	
8	987 110 055 01	distributor tube		1	
9	987 110 462 00	vacuum unit		1	
10	996 110 686 02	rubber sleeve		4	
11	999 512 350 02	hose clamp 80 - 100/9		8	
12	997 606 213 00	temperature sensor		1	
13	900 385 017 04	torx screw M 6 X 35		12	
14	987 110 226 00	support		1	
15	996 110 130 02	resonance tube		1	
16	993 110 462 02	vacuum unit		1	
17	900 146 123 02	screw M 5 X 16		4	
--	000 043 204 99	hose 3,5 X 2 120 MM		*	
18	900 380 022 09	hexagon nut M 6		1	

Model	Year	MG	SG	Illustration	Restrictions	Update	18:26	24.08.2006	PORSCHE	PET	PORSCHE
987	07	1	07	107-10		203					

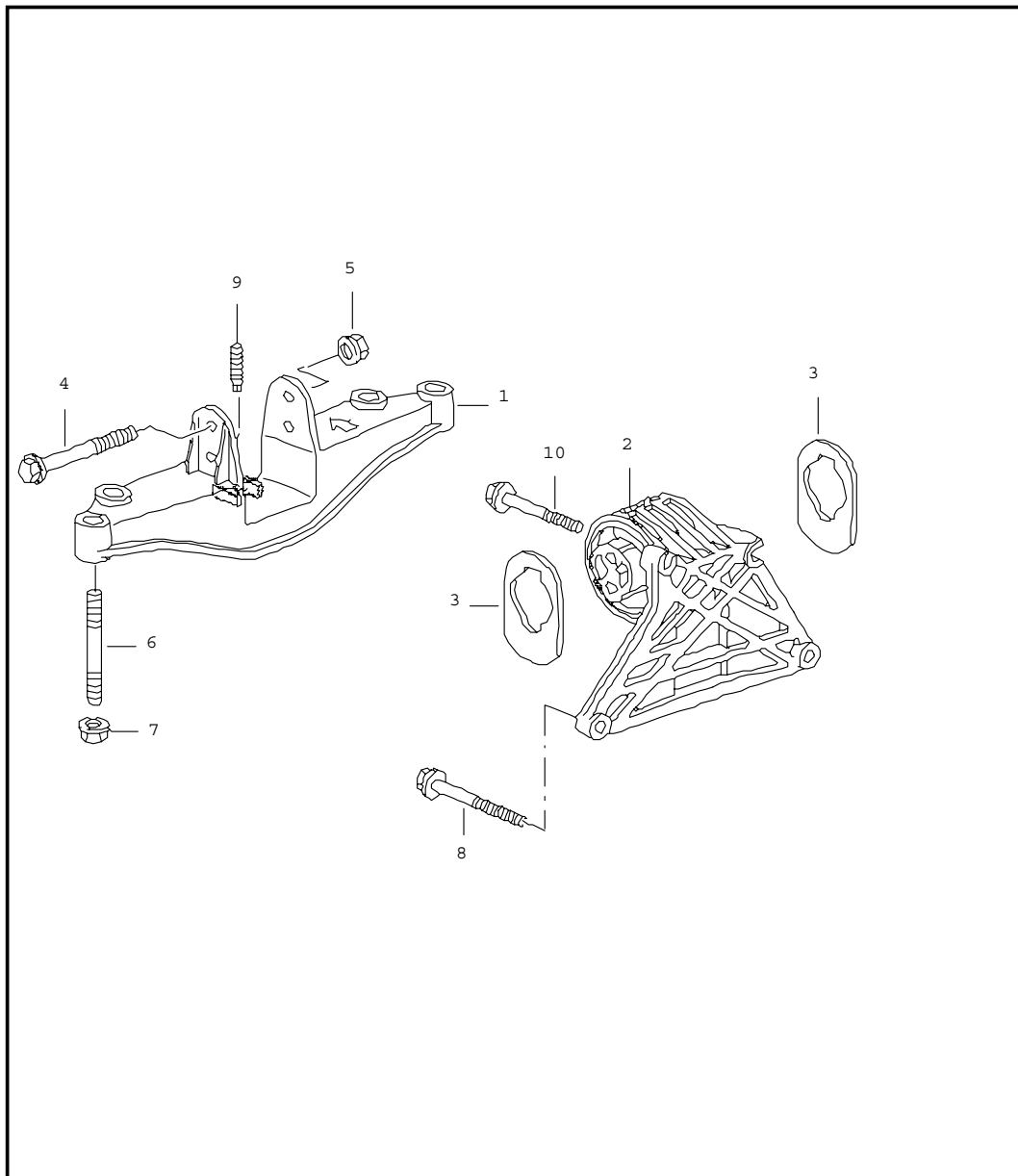
Pos	Part Number	Name	Remarks	Qty	Model	Pos	Part Number	Name	Remarks	Qty	Model
19	---	throttle body see illustrations 1/07/00 - - - E N D - - -		1							

Model	Year	MG	SG	Illustration	Restrictions	Update	18:26	24.08.2006	PORSCHE	PET	PORSCHE
987	07	1	08	108-05		203					



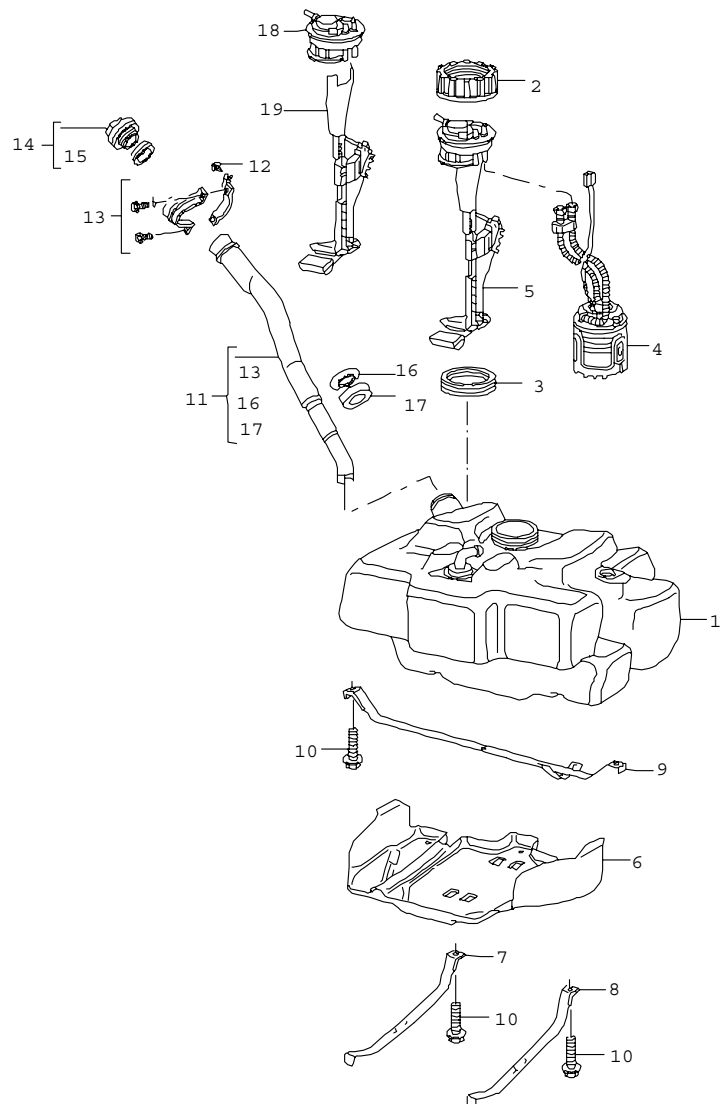
Pos	Part Number	Name	Remarks	Qty	Model
		air injection	-06 -06 07- 07-		M96.25 M96.26 M97.21 M97.20
1	997 605 104 00	secondary pump		1	
2	955 113 325 00	oval-head screw M 6 X 50		3	
3	999 703 868 40	rubber mounting 8,76 X 33,3		3	
4	999 209 077 02	spacer sleeve 6,5 X 1		3	
5	996 605 123 01	change-over valve		1	
6	997 113 137 01	bracket secondary pump		1	
7	948 113 203 51	valve		1	
8	993 113 258 51	gasket		1	
9	999 073 344 04	round head screw M 6 X 20		7	
10	997 113 339 02	hose		1	
11	997 113 233 01	gasket bracket		1	
12	997 113 117 01	connecting line		1	
13	996 113 213 51	gasket connecting line		1	
14	997 113 340 00	cover		1	
- - - E N D - - -					

Model	Year	MG	SG	Illustration	Restrictions	Update	18:26	24.08.2006	PORSCHE	PET	PORSCHE
987	07	1	09	109-00		203					



Pos	Part Number	Name	Remarks	Qty	Model
		engine suspension	-06 -06 07- 07-		M96.25 M96.26 M97.21 M97.20
1	987 375 309 01	engine carrier		1	
2	987 375 023 02	motor console	-06	1	M96.25/26
2	N 987 375 023 03	motor console	07-	1	M97.21/20
3	987 375 255 03	stop	-06	2	M97.25/26
3	N 987 375 255 05	stop	07-	2	M97.21/20
4	900 378 167 09	hexagon-head bolt M 10 X 110		2	
5	900 380 008 09	hexagon nut M 10		2	
6	999 061 106 09	stud M 10 X 84		4	
7	999 076 053 09	hexagon nut M 10		4	
8	999 072 027 09	hexagon-head bolt M 10 X 120		3	
9	999 919 169 02	stud 6,0 X 11/M6		1	
10	999 072 036 09	hexagon-head bolt M 10 X 80		1	
- - - E N D - - -					

Model	Year	MG	SG	Illustration	Restrictions	Update	18:27	24.08.2006	PORSCHE	PET	PORSCHE
987	07	2	01	201-00		203					

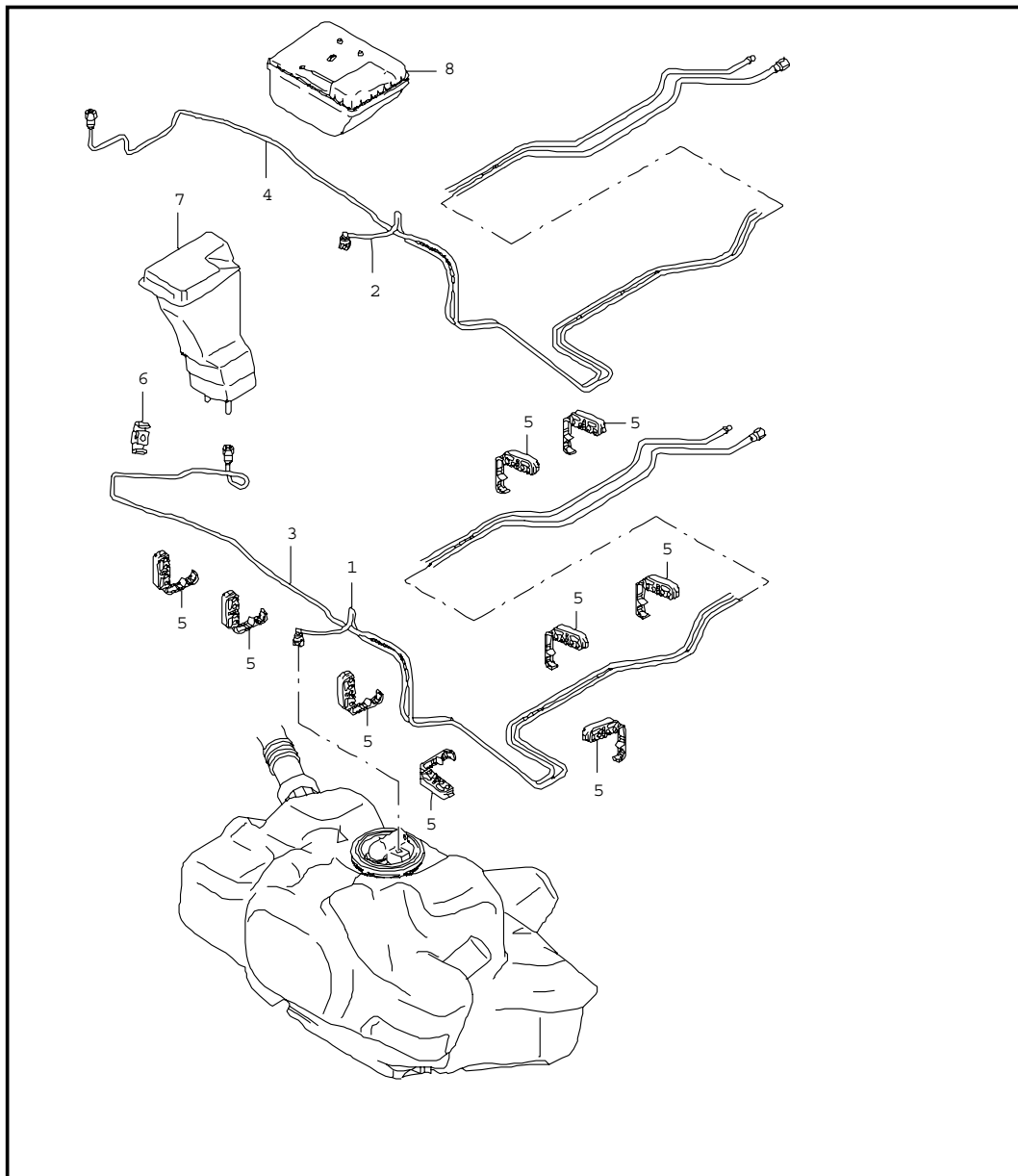


Pos	Part Number	Name	Remarks	Qty	Model
		fuel tank			
1	996 201 021 05	fuel tank	/LL	1	
(1)	997 201 022 01	fuel tank	/RL	1	
2	996 201 623 00	union nut		1	
3	321 919 133	sealing ring		1	
4	996 620 132 00	fuel pump		1	
5	996 620 832 02	tank gauge with flange		1	
6	997 201 331 02	protective plate	/LL	1	
(6)	997 201 331 03	protective plate	/RL	1	
7	996 201 106 02	restraining strap right		1	
8	996 201 105 02	restraining strap left		1	
9	996 201 107 02	restraining strap	/LL	1	
(9)	996 201 108 00	restraining strap	/RL	1	
10	900 075 479 09	screw M 8 X 40		4	
11	997 201 043 00	filler neck F >>985U7 00076 F >>985U7 01308 F >>985U7 21351		1	
11	997 201 043 06	filler neck F 985U7 00077>> F 985U7 01309>> F 985U7 21352>>		1	
		use also: F >>985U7 00076 F >>985U7 01308 F >>985U7 21351 997.201.951.00		1	
(11)	997 201 043 07	filler neck		1	I 150/ I 193
12	999 015 025 09	lens-head screw M 6 X 12 F >>985U7 00076 F >>985U7 01308 F >>985U7 21351		1	

Model	Year	MG	SG	Illustration	Restrictions	Update	18:27	24.08.2006	PORSCHE	PET	PORSCHE
987	07	2	01	201-00		203					

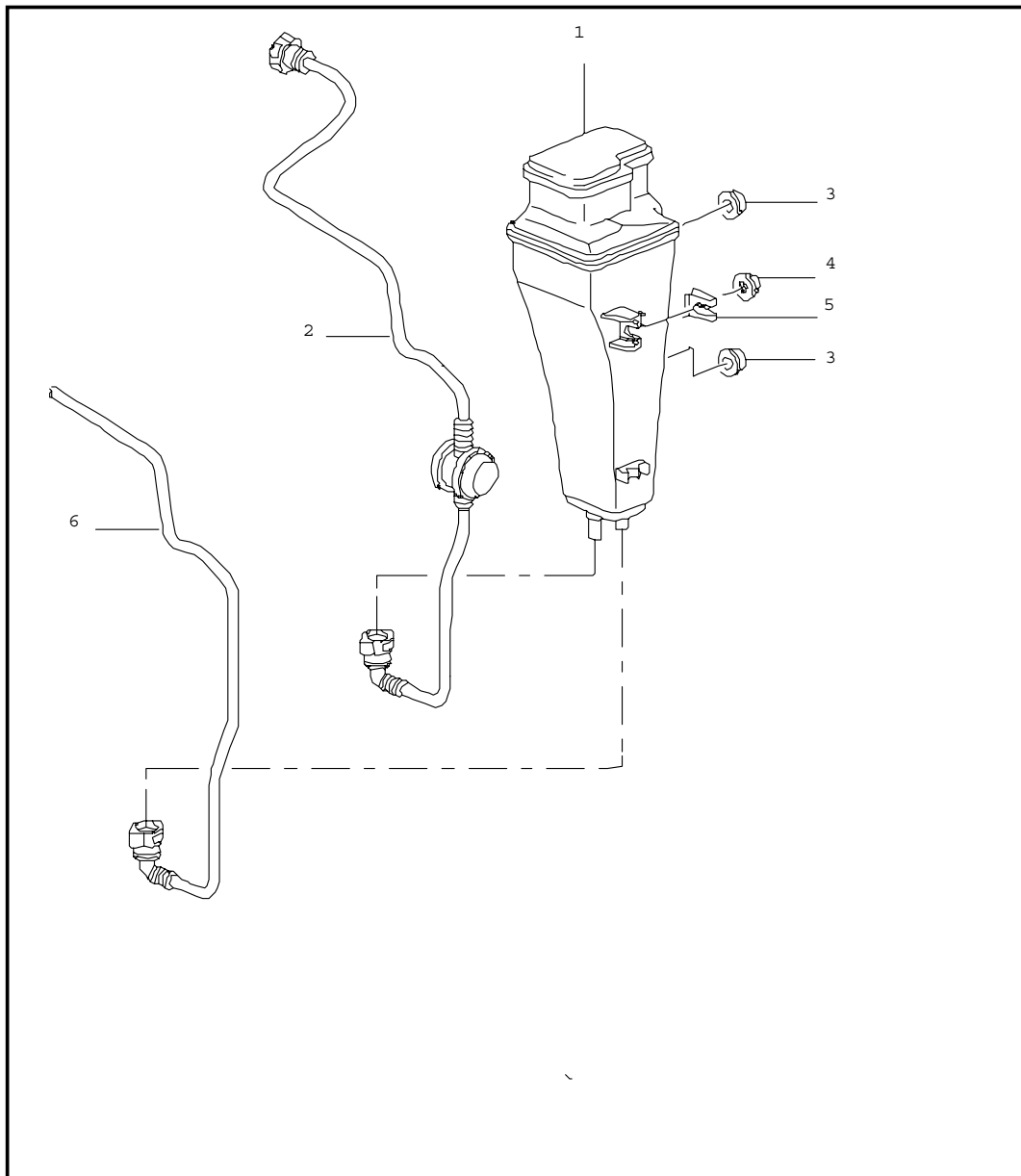
Pos	Part Number	Name	Remarks	Qty	Model	Pos	Part Number	Name	Remarks	Qty	Model
(12)	999 073 348 09	oval-head screw M 6 X 12 F 985U7 00077>> F 985U7 01309>> F 985U7 21352>>		1							
13	997 201 951 00	support complete F >>985U7 00076 F >>985U7 01308 F >>985U7 21351		1							
13	997 201 951 02	support complete F 985U7 00077>> F 985U7 01309>> F 985U7 21352>>		1							
14	996 201 241 03	fuel tank cap with clip		1							
-	999 507 499 40	expansion rivet		1							
15	191 201 557	gasket		1							
16	996 201 755 00	support washer		1							
17	996 201 753 00	gasket		1							
		- - - E N D - - -									

Model	Year	MG	SG	Illustration	Restrictions	Update	18:27	24.08.2006	PORSCHE	PET	PORSCHE
987	07	2	01	201-05		203					



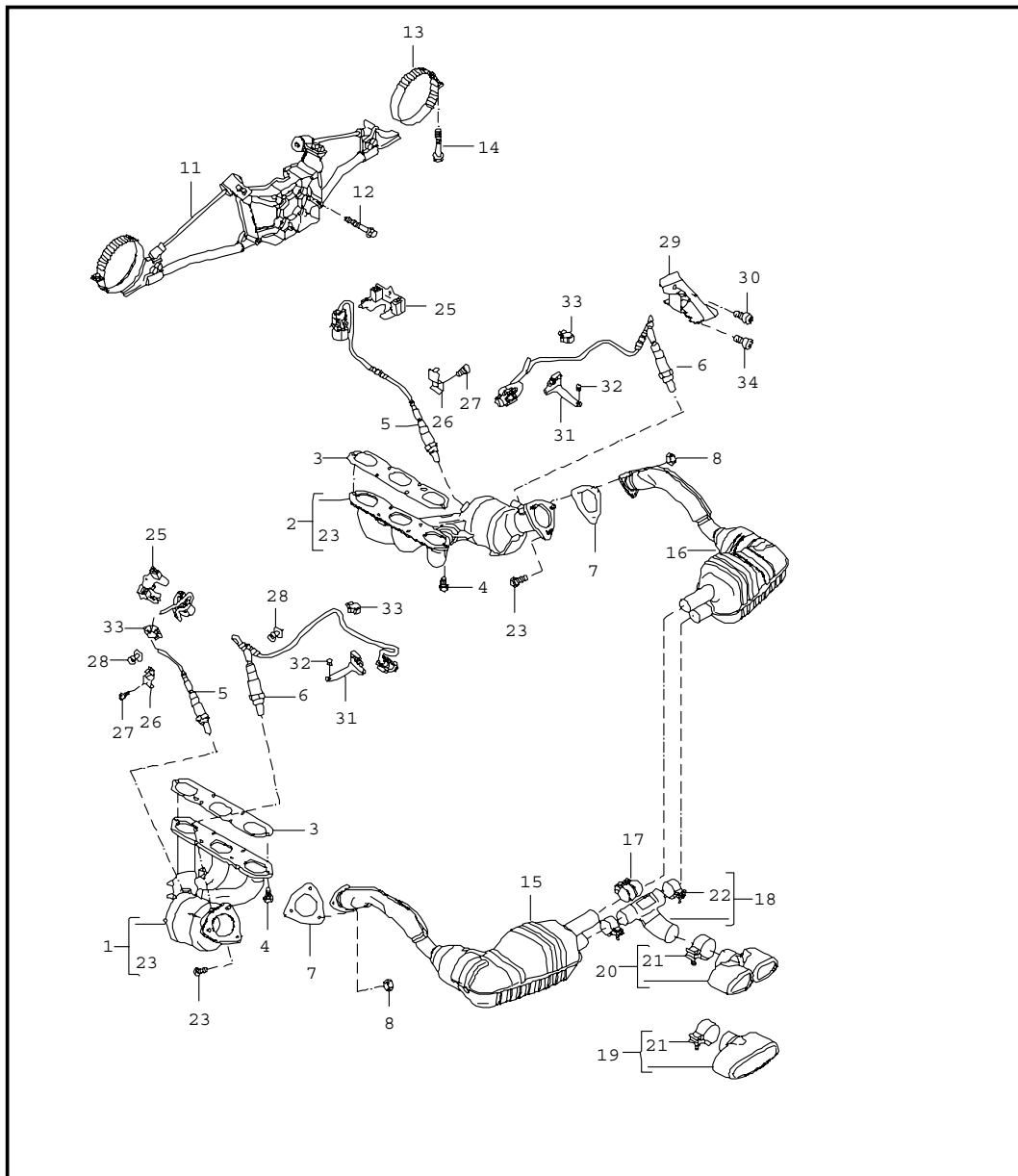
Pos	Part Number	Name	Remarks	Qty	Model
		fuel system			
1	987 201 261 01	fuel line fuel pump for engine		1	
3	987 201 353 01	purge-air line carbon canister for engine		1	
5	999 507 521 40	cable holder 8,0/8/10		9	
6	999 507 727 40	cable holder 8,0/10,0		1	
7	---	carbon canister see illustrations 201-20		1	
		- - - E N D - - -			

Model	Year	MG	SG	Illustration	Restrictions	Update	18:27	24.08.2006	PORSCHE	PET	PORSCHE
987	07	2	01	201-20		203					



Pos	Part Number	Name	Remarks	Qty	Model
		carbon canister			
1	997 201 221 01	carbon canister complete		1	
2	997 201 251 00	vent line fuel tank for carbon canister		1	
3	999 702 221 40	grommet		2	
4	999 084 629 09	hexagon nut M 6		1	
5	999 507 543 02	clamp 2,00 - 3,00		1	
6	---	purge-air line see illustrations 201-05		1	
		- - - E N D - - -			

Model	Year	MG	SG	Illustration	Restrictions	Update	18:27	24.08.2006	PORSCHE	PET	PORSCHE
987	07	2	02	202-00		203					



Pos	Part Number	Name	Remarks	Qty	Model
		exhaust system	-06 -06 07- 07-		M96.25 M96.26 M97.21 M97.20
1	987 113 104 07	exhaust manifold cyl. 4 - 6	05	1	M96.25
(1)	987 113 104 08	exhaust manifold cyl. 4 - 6	06	1	M96.25
(1) P	987 113 108 05	exhaust manifold cyl. 4 - 6	07-	1	M97.21/20
(1)	987 113 106 05	exhaust manifold cyl. 4 - 6	05	1	M96.26
(1)	987 113 106 06	exhaust manifold cyl. 4 - 6	06	1	M96.26
2	987 113 103 07	exhaust manifold cyl. 1 - 3	05	1	M96.25
(2) P	987 113 103 10	exhaust manifold cyl. 1 - 3	06	1	M96.25
(2) P	987 113 107 05	exhaust manifold cyl. 1 - 3	07-	1	M97.21/20
(2)	987 113 105 05	exhaust manifold cyl. 1 - 3		1	M96.26
3	996 111 107 54	gasket exhaust manifold		2	
4	999 075 074 00	hexagon-head bolt M 8 X 26		12	
5	987 606 123 01	oxygen sensor in front of catalytic converter		2	
5 P	987 606 123 02	oxygen sensor in front of catalytic converter	07-	2	M97.21/20
6	987 606 124 00	oxygen sensor after catalytic converter		2	
7	997 111 113 00	gasket		2	
8	999 084 046 02	lock nut M 8		6	
11	987 111 041 02	support exhaust system		1	M96.25 M96.26 I249

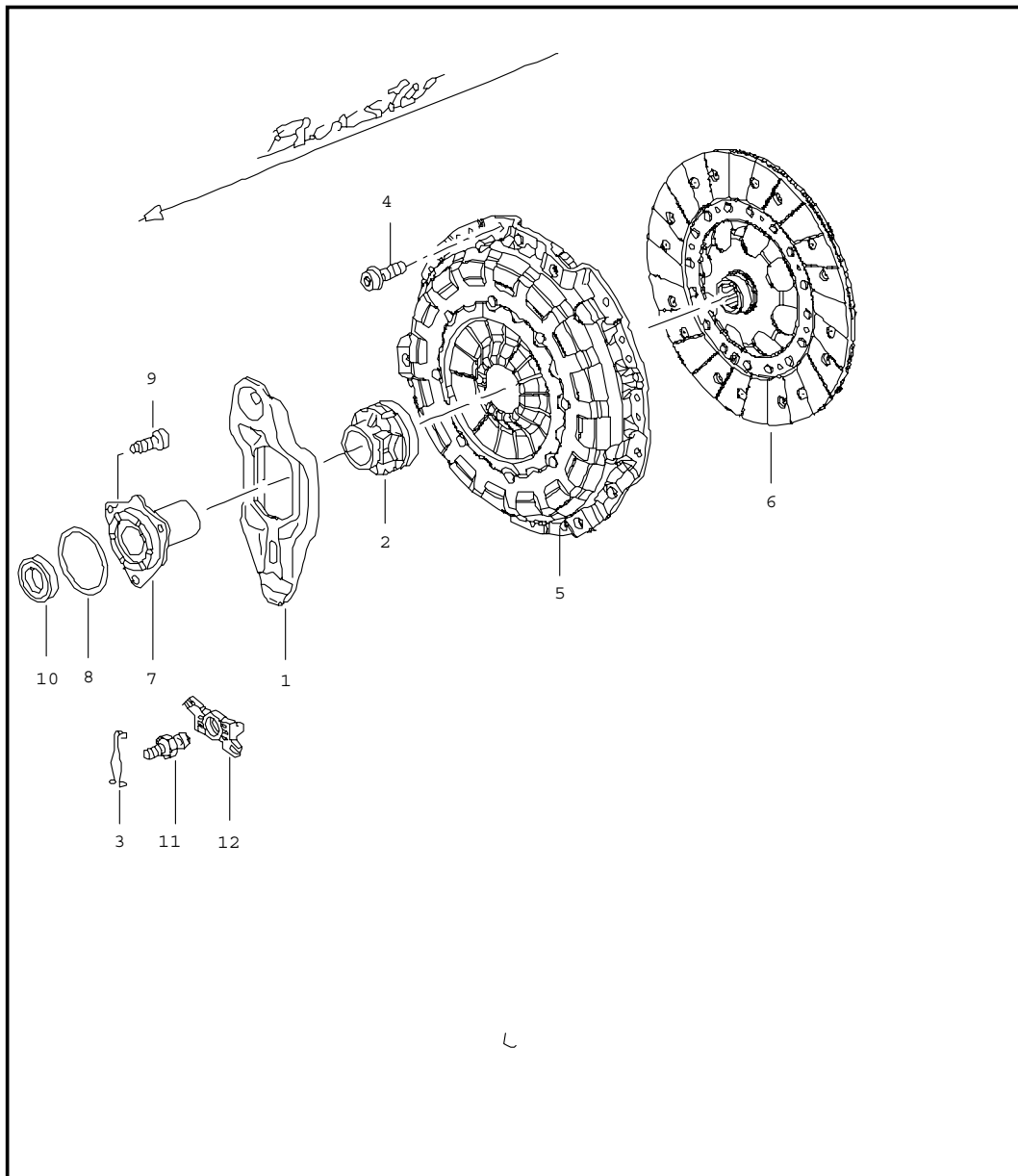
Model	Year	MG	SG	Illustration	Restrictions	Update	18:27	24.08.2006	PORSCHE	PET	PORSCHE
987	07	2	02	202-00		203					

Pos	Part Number	Name	Remarks	Qty	Model	Pos	Part Number	Name	Remarks	Qty	Model
(11)	987 111 042 00	support exhaust system		1	M96.25 I481	-	900 083 080 00	hexagon-head bolt M 8 X 1 exhaust emission tube		2	
(11)	987 111 043 03	support exhaust system		1	M96.25 M96.26 I480	-	900 123 050 20	sealing ring 8 X 11,5 exhaust emission tube		2	
12	900 378 070 09	hexagon-head bolt M 10 X 30		4	M96.25 M96.26 I480	17	987 111 220 00	clamping sleeve		1	
(12)	900 378 056 02	hexagon-head bolt M 8 X 60		3	M96.25 M96.26 I249 M96.25 I481	18	987 111 353 00	exhaust pipe		1	
13	U 987 111 210 00	clip		2		19	987 111 253 00	tail pipe		1	M96.25
13	987 111 210 01	clip		2		20	987 111 254 02	tail pipe		1	M96.26
14	900 378 055 09	hexagon-head bolt		2		(20)	987 111 254 01	tail pipe exclusive programme		1	M96.25 M96.26 IXLA
15	987 113 112 00	catalytic converter cyl. 4 - 6	05	1	M96.26	21	000 043 300 53	clip for cover set complete		1	
15	987 113 112 04	catalytic converter cyl. 4 - 6	06	1	M96.26	22	000 043 300 54	clip for exhaust pipe set complete		2	
15	P 987 113 118 01	catalytic converter cyl. 4 - 6	07-	1	M97.21/20	23	900 075 365 02	screw M 8 X 30		X	
15	987 113 112 05	catalytic converter cyl. 4 - 6		1	M96.26	25	987 606 259 01	support connector oxygen sensor to bulkhead		2	
15	987 113 114 00	catalytic converter cyl. 4 - 6	05	1	M96.25	26	987 606 104 00	support line oxygen sensor to valve cover		3	
15	987 113 114 02	catalytic converter cyl. 4 - 6	06	1	M96.25	27	900 385 041 09	torx screw M 6 X 12		3	
15	987 113 114 03	catalytic converter cyl. 4 - 6		1	M96.25	28	999 507 111 40	support line oxygen sensor to cylinder head		2	
16	987 113 111 00	catalytic converter cyl. 1 - 3	05	1	M96.26	29	987 104 445 00	cover plate		1	
16	987 113 111 04	catalytic converter cyl. 1 - 3	06	1	M96.26						
16	987 113 117 01	catalytic converter cyl. 1 - 3	07-	1	M97.21/20						
16	987 113 113 00	catalytic converter cyl. 1 - 3	05	1	M96.25						

Model	Year	MG	SG	Illustration	Restrictions	Update	18:27	24.08.2006	PORSCHE	PET	PORSCHE
987	07	2	02	202-00		203					

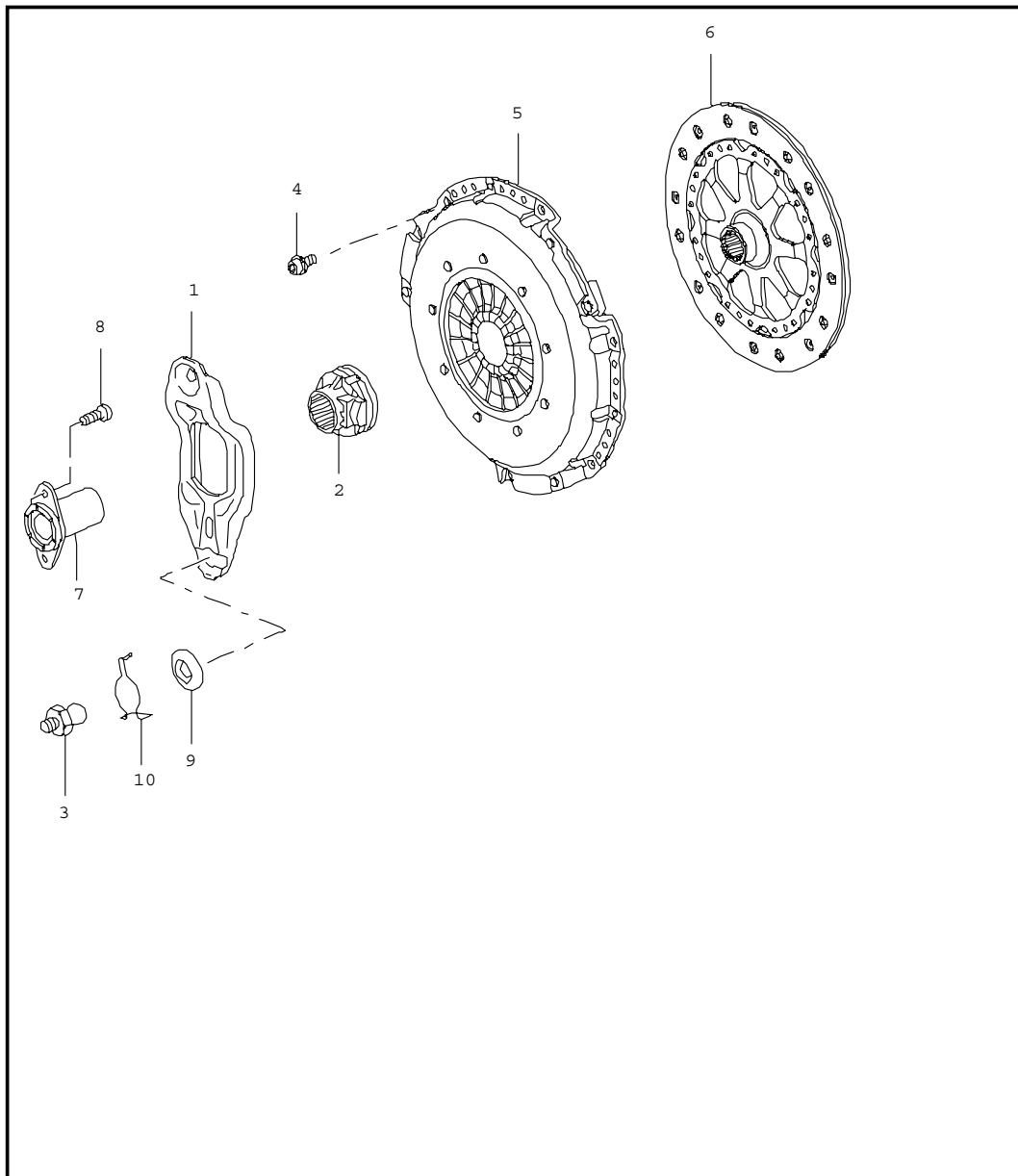
Pos	Part Number	Name	Remarks	Qty	Model	Pos	Part Number	Name	Remarks	Qty	Model
30	900 387 009 09	screw M 6 X 12		1							
31	987 606 105 01	support connector oxygen sensor		2							
32	999 591 712 40	expansion rivet 6,0 X 12,0		4							
33	999 507 075 40	cable holder 3,0 - 12,0		3							
34	900 385 041 09	torx screw M 6 X 12		1							
--	987 606 103 01	support line oxygen sensor		1							
		- - - E N D - - -									

Model	Year	MG	SG	Illustration	Restrictions	Update	18:28	24.08.2006	PORSCHE	PET	PORSCHE
987	07	3	01	301-00		203					



Pos	Part Number	Name	Remarks	Qty	Model
		clutch	I481 -06 I481 07-		M96.25 M97.20.
1	012 141 719 B	clutch release lever		1	
2	012 141 165 E	clutch release bearing		1	
3	012 141 741	retaining spring		1	
4	900 387 265 09	pan-head screw M 8 X 16		6	
5	986 116 028 04	pressure plate		1	
6	987 116 014 00	clutch plate		1	
7	012 141 180 B	guide sleeve		1	
8	N 903 542 01	o-ring 56,8 X 2,6		1	
9	N 903 663 01	pan-head screw M 8 X 22		3	
10	---	shaft seal		1	
11	012 141 777 D	ball pin		1	
12	012 141 751 A	intermediate piece		1	
		- - - E N D - - -			

Model	Year	MG	SG	Illustration	Restrictions	Update	18:28	24.08.2006	PORSCHE	PET	PORSCHE
987	07	3	01	301-01		203					



Pos	Part Number	Name	Remarks	Qty	Model
		clutch	I480 -06 I480 -06 I480 07- I480 07-		M96.26 M96.25 M97.21 M97.20
1	P 0A2 141 719	clutch release lever		1	
2	P 012 141 165 E	clutch release bearing		1	
3	P 0A2 311 091 A	o-ring		1	
4	900 387 265 09	pan-head screw M 8 X 16		6	
5	987 116 027 22	pressure plate	-06 07-	1	M96.25/26 M97.20
5	P 987 116 027 30	pressure plate	07-	1	M97.21
6	987 116 013 20	clutch plate	-06 07-	1	M96.25/26 M97.20
6	P 987 116 013 20	clutch plate	07-	1	M97.21
7	0A2 141 181	guide sleeve		1	
8	N 999 073 320 02	hexagon-head bolt m 8 x 20,5		2	
9	N 0A2 141 179	retaining bracket		1	
10	N 016 311 113 C	radial shaft seal		1	
11	N 01E 141 751 A	intermediate piece		1	
12	N 01E 141 721 A	leaf spring		1	
13	P 999 073 319 02	round head screw M 8 x 22		1	
		- - - E N D - - -			

PORSCHE

PET

PORSCHE

Model	Year	MG	SG	Illustration	Restrictions	Update	18:28	24.08.2006
987	07	3	01	301-05		203		

Pos	Part Number	Name	Remarks	Qty	Model
		clutch release			G87.01
1	8E0 721 257 B	clutch operating cylinder		1	
2	N 090 316 5	screw M 8 X 30 Z1		2	
- - - E N D - - -					

PORSCHE

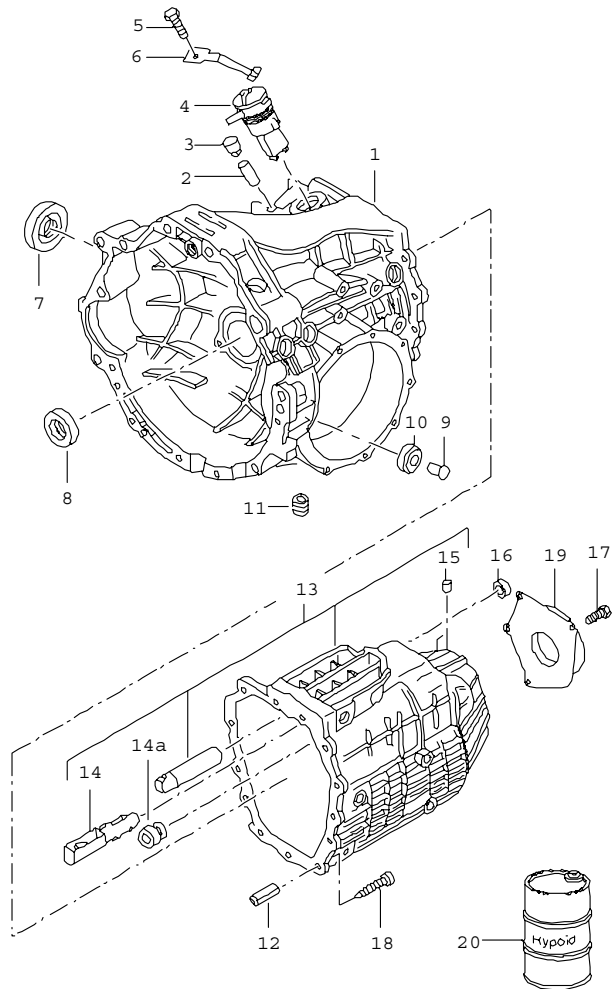
PET

PORSCHE

Model	Year	MG	SG	Illustration	Restrictions	Update		
987	07	3	01	301-06		203	18:28	24.08.2006

Pos	Part Number	Name	Remarks	Qty	Model
		clutch release	07-		G87.20 G87.21
1	986 116 237 00	clutch operating cylinder		1	
2	N 090 316 5	screw M 8 X 30 Z1		2	
		- - - E N D - - -			

Model	Year	MG	SG	Illustration	Restrictions	Update	18:29	24.08.2006	PORSCHE	PET	PORSCHE
987	07	3	02	302-00		203					

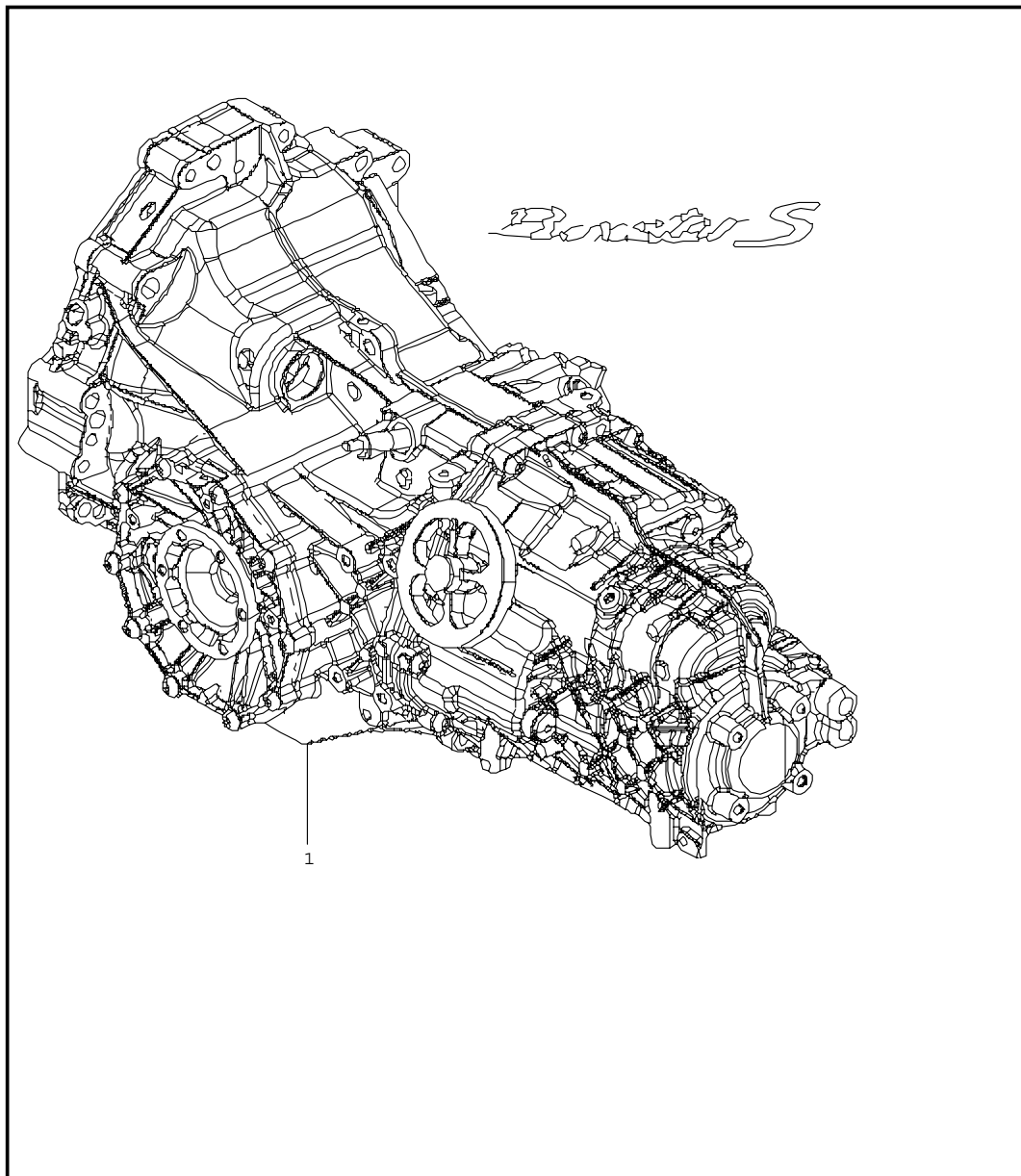


Pos	Part Number	Name	Remarks	Qty	Model
		replacement transmission			G87.01 I481
		transmission case			
		transmission classification letter			
		attention			
-	987 300 010 00	transmission		1	GAL
1	012 301 103 AD	transmission case		1	
2	014 301 473	guide sleeve 12 X 30		1	
3	014 301 485	cap		1	
4	012 919 823 F	back-up light switch		1	
-	999 652 907 40	plug socket		1	
-	999 652 694 12	contact bush		2	
-	999 704 161 40	gasket		2	
-	999 652 811 40	plug		3	
5	N 040 255 2	hexagon-head bolt M 8 X 14		1	
6	012 301 483 D	leaf spring		1	
7	016 409 399 B	radial shaft seal 45 X 60 X 8		1	
8	016 311 113 C	radial shaft seal 12 M 6 X 14		1	
9	012 301 183 A	bush BM 8 X 20		1	
10	012 301 143	magnet		1	
11	111 301 127 E	screw plug M 24 X 1,5		1	
12	012 301 473	sleeve 12 X 30		1	
13	012 301 205 L	transmission cover		1	
14	012 301 276	cup		1	
14A	012 311 429 M	sleeve 23 X 37 X 28,3		1	

Model	Year	MG	SG	Illustration	Restrictions	Update	18:29	24.08.2006	PORSCHE	PET	PORSCHE
987	07	3	02	302-00		203					

Pos	Part Number	Name	Remarks	Qty	Model	Pos	Part Number	Name	Remarks	Qty	Model
14A	012 311 429 P	sleeve 23 X 39 X 28,3		1							
15	012 301 115	plug		2							
16	012 301 457 C	shaft seal 16 X 24 X 6		1							
17	N 010 240 22	hexagon-head bolt M 8 X 20		4							
18	012 301 268 D	torx screw M 8 X 44		13							
20	000 043 204 71	transmission oil HYPOID 25 LTR. container		X							
		- - - E N D - - -									

Model	Year	MG	SG	Illustration	Restrictions	Update	18:29	24.08.2006	PORSCHE	PET	PORSCHE
987	07	3	02	302-01		203					



Pos	Part Number	Name	Remarks	Qty	Model
		replacement transmission	07-		G87.20 I480 G87.21 I480
		ready for installation			
1	987 300 010 22	manual transmission		1	G87.20
1	P 987 300 010 23	manual transmission	07-	1	G87.21
-	000 043 204 71	transmission oil HYPOID container 25 LTR.		X	
- - - E N D - - -					

PORSCHE

PET

PORSCHE

Model	Year	MG	SG	Illustration	Restrictions	Update		
987	07	3	02	302-05		203	18:29	24.08.2006

Pos	Part Number	Name	Remarks	Qty	Model
1	01E 941 521 A	transmission single parts switch back-up light - - - E N D - - -	07-	1	G87.20 G87.21

PORSCHE

PET

PORSCHE

Model	Year	MG	SG	Illustration	Restrictions	Update		
987	07	3	02	302-06		203	18:29	24.08.2006

Pos	Part Number	Name	Remarks	Qty	Model
		- - - E N D - - -	07-		G87.21

Model	Year	MG	SG	Illustration	Restrictions	Update	18:30	24.08.2006
987	07	3	03	303-00		203		

Pos	Part Number	Name	Remarks	Qty	Model
		gears and shafts			G87.01
		transmission			GAL
		classification letter			
		attention			
1	012 311 105 AG	drive shaft		1	
2	012 311 123 D	needle sleeve 27 X 41 X 23		1	
3	012 311 443	cup spring 42 X 58 X 2		1	
4	012 311 445 G	deep-groove ball bearing 25 X 58 X 16		1	
5	N 902 941 02	circlip 24,9 X 1,45		X	
(5)	N 902 941 14	circlip 24,9 X 1,54		X	
(5)	N 902 941 15	circlip 24,9 X 1,63		X	
(5)	N 902 941 16	circlip 24,9 X 1,72		X	
(5)	N 902 941 17	circlip 24,9 X 1,81		1	
(5)	N 902 941 18	circlip 24,9 X 1,9		X	
(5)	N 902 941 19	circlip 24,9 X 1,99		X	
(5)	N 902 941 20	circlip 24,9 X 2,08		X	
(5)	N 902 941 11	circlip 24,9 X 2,17		X	
6	012 311 111 A	sleeve 13 X 14 X 10,8		1	
7	012 311 213 J	needle cage 38 X 43 X 29,5		1	
8	012 311 285 BJ	shifting gear 3rd speed Z = 40 : 28		1	
(9)	012 311 312 D	spring 3rd, 4th speed		2	
(10)	012 311 295 F	synchroniser ring 3rd, 4th speed		2	

Model	Year	MG	SG	Illustration	Restrictions	Update	18:30	24.08.2006
987	07	3	03	303-00		203		

Pos	Part Number	Name	Remarks	Qty	Model
11	N 902 945 01	circlip 38 X 2		1	
12	012 311 315 B	operating sleeve 3rd, 4th speed		1	
12A	012 311 309 B	synchronising hub 3rd, 4th speed		1	
13	N 902 944 01	circlip 37 X 1,9		X	
(13)	N 902 944 02	circlip 37 X 1,93		X	
(13)	N 902 944 03	circlip 37 X 1,96		X	
(13)	N 902 944 04	circlip 37 X 1,99		X	
(13)	N 902 944 05	circlip 37 X 2,02		X	
(13)	N 902 944 06	circlip 37 X 2,05		X	
14	012 311 351 BK	shifting gear 4th speed Z = 36 : 33		1	
15	012 311 115 F	needle cage 37 X 42 X 29,8		1	
(16)	012 311 159 CH	gear wheel 5th speed Z = 31 ; 37		1	
17	N 902 942 02	circlip 36 X 1,9		X	
(17)	N 902 942 03	circlip 36 X 1,93		X	
(17)	N 902 942 04	circlip 36 X 1,96		X	
(17)	N 902 942 05	circlip 36 X 1,99		X	
(17)	N 902 942 06	circlip 36 X 2,02		X	
18	012 311 429 M	sleeve 23 X 37 X 28,3		1	
19	N 902 951 01	circlip 22 X 1,7 4th speed		1	

PORSCHE

PET

PORSCHE

Model	Year	MG	SG	Illustration	Restrictions	Update	18:30	24.08.2006
987	07	3	03	303-00		203		

Pos	Part Number	Name	Remarks	Qty	Model
20	012 311 518	supporting plate 3rd speed		1	
21	012 311 531 E	reverse idler gear		1	
22	012 311 523 G	needle cage 22 X 30 X 16		2	
23	012 311 517	thrust washer		1	
- - - E N D - - -					

Model	Year	MG	SG	Illustration	Restrictions	Update	18:30	24.08.2006
987	07	3	03	303-05		203		

Pos	Part Number	Name	Remarks	Qty	Model
		gears and shafts			G87.01
		transmission			GAL
		classification letter			
		attention			
1	---	drive shaft		1	
2	012 311 391	adjusting shim 0,4		X	
(2)	012 311 391 A	adjusting shim 0,45		X	
(2)	012 311 391 B	adjusting shim 0,5		X	
(2)	012 311 391 C	adjusting shim 0,55		X	
(2)	012 311 391 D	adjusting shim 0,6		X	
(2)	012 311 391 E	adjusting shim 0,65		X	
(2)	012 311 391 F	adjusting shim 0,7		X	
(2)	012 311 391 G	adjusting shim 0,75		X	
3	012 311 220 A	taper roller bearing 48,6 X 88 X 21,5		1	
4	N 902 950 01	circlip A 48,5 X 2,00		X	
(4)	N 902 950 08	circlip A 48,5 X 2,03		X	
(4)	N 902 950 09	circlip A 48,5 X 2,09		X	
(4)	N 902 950 10	circlip A 48,5 X 2,12		X	
(4)	N 902 950 11	circlip 48,5 X 2,15		X	
5	012 311 207 E	needle cage 1st gear 48,5 X 52,5 X 26,4		1	
6	012 311 257 J	shifting gear 1st gear Z = 35 : 10		1	
7	01X 311 277 G	inner ring 1st gear		1	

Model	Year	MG	SG	Illustration	Restrictions	Update	18:30	24.08.2006
987	07	3	03	303-05		203		

Pos	Part Number	Name	Remarks	Qty	Model
(7)	01X 311 277 B	inner ring 2nd gear		1	
8	01X 311 259 F	intermediate ring 1st/2nd gear		2	
9	01X 311 247 G	synchroniser ring 1st/2nd gear		2	
10	01X 311 239 B	synchronising hub with operating sleeve 1st/2nd gear		1	
11	01X 311 314 B	pressure piece		3	
13	N 902 947 01	circlip 47 X 1,9		X	
(13)	N 902 947 02	circlip 47 X 1,93		X	
(13)	N 902 947 03	circlip 47 X 1,96		X	
(13)	N 902 947 04	circlip 47 X 1,99		X	
(13)	N 902 947 05	circlip 47 X 2,02		X	
14	012 311 229 K	needle cage 2nd gear 47 X 52 X 26,6		1	
15	012 311 260 H	shifting gear 2nd gear Z = 36 : 17		1	
16	N 902 947 06	circlip 47 X 2,5		1	
17	012 311 285 BT	gear wheel 3rd speed Z = 40 : 28		1	
18	01X 311 317	circlip 44,5 x 1,9		X	
(18)	01X 311 317 A	circlip 44,5 x 1,94		X	
(18)	01X 311 317 B	circlip 44,5 x 1,98		X	
(18)	01X 311 317 C	circlip 44,5 x 2,02		X	
(18)	01X 311 317 D	circlip 44,5 x 2,06		X	

Model	Year	MG	SG	Illustration	Restrictions	Update	18:30	24.08.2006
987	07	3	03	303-05		203		

Pos	Part Number	Name	Remarks	Qty	Model
(18)	01X 311 317 E	circlip 44,5 x 2,10		X	
19	012 311 149 BT	gear wheel 4th speed Z = 36 : 33		1	
20	N 902 945 01	circlip 38 X 2		X	
(20)	N 902 945 02	circlip 38 X 2,16		X	
(20)	N 902 945 03	circlip 38 X 2,20		X	
(20)	N 902 945 04	circlip 38 X 2,24		X	
(20)	N 902 945 05	circlip 38 X 2,28		X	
21	012 311 116 G	needle cage 5th speed 38 X 43 X 27		1	
22	012 311 159 EJ	shifting gear 5th speed Z = 31 : 37		1	
23	01X 311 312 A	retaining spring		2	
24	01X 311 295 J	synchroniser ring 5th speed and reverse gear		1	
25	N 902 945 01	circlip 38 X 2		1	
26	01X 311 315	operating sleeve 5th speed and reverse gear		1	
27	01X 311 309	synchronising hub 5th speed and reverse gear		1	
28	N 902 944 01	circlip 37 X 1,9		X	
(28)	N 902 944 02	circlip 37 X 1,93		X	
(28)	N 902 944 03	circlip 37 X 1,96		X	
(28)	N 902 944 04	circlip 37 X 1,99		X	

Model	Year	MG	SG	Illustration	Restrictions	Update	18:30	24.08.2006
987	07	3	03	303-05		203		

Pos	Part Number	Name	Remarks	Qty	Model
(28)	N 902 944 05	circlip 37 x 2,02		X	
(28)	N 902 944 06	circlip 37 x 2,05		X	
29	012 311 234 E	needle-roller bearing 37 x 42 x 24,5		1	
30	01X 311 295 J	synchroniser ring reverse gear		1	
31	012 311 217 L	shifting gear for reverse gear		1	
32	012 311 375 C	taper roller bearing 31,7 x 76,2 x 25,4		1	
23	012 311 393	adjusting shim 0,45		X	
(33)	012 311 393 A	adjusting shim 0,49		X	
(33)	012 311 393 B	adjusting shim 0,53		X	
(33)	012 311 393 C	adjusting shim 0,57		X	
(33)	012 311 393 D	adjusting shim 0,61		X	
(33)	012 311 393 E	adjusting shim 0,65		X	
(33)	012 311 393 F	adjusting shim 0,69		X	
(33)	012 311 393 G	adjusting shim 0,73		X	
(33)	012 311 393 H	adjusting shim 0,77		X	
(33)	012 311 393 J	adjusting shim 0,81		X	
(33)	012 311 393 K	adjusting shim 0,85		X	
(33)	012 311 393 L	adjusting shim 0,89		X	
(33)	012 311 393 N	adjusting shim 0,97		X	
34	012 301 251 B	pressure plate 70,98 x 14,8		X	

PORSCHE

PET

PORSCHE

Model	Year	MG	SG	Illustration	Restrictions	Update	18:30	24.08.2006
987	07	3	03	303-05		203		

Pos	Part Number	Name	Remarks	Qty	Model
(34)	012 301 251 C	pressure plate 70,98 X 15,3		X	
35	012 301 193	washer 71 X 7		1	
- - - E N D - - -					

Model	Year	MG	SG	Illustration	Restrictions	Update	18:30	24.08.2006
987	07	3	04	304-00		203		

Pos	Part Number	Name	Remarks	Qty	Model
		manual transmission			G87.01
		shift rods forks			
1	012 311 505	shift rod		1	
2	012 311 559 D	gear shift rod 3rd, 4th speed		1	
4	012 301 120 C	sleeve		2	
5	012 311 575 D	gear shift rod 5th speed and reverse gear		1	
6	N 023 332 1	tensioning sleeve 6 X 24		2	
7	012 311 549	shift fork 1st/2nd gear		1	
8	012 311 617 D	reverse lever		1	
9	012 311 628 A	locking segment		1	
10	012 301 291	torx screw M 8 X 30		1	
12	012 311 718 A	stop screw M 22 X 1,5		1	
14	012 311 720 A	stop screw M 26 X 1,5		1	
15	N 903 541 01	o-ring 22 X 2		1	
16	012 311 691 A	pawl		1	
17	N 903 663 01	pan-head screw M 8 X 22		2	
18	012 301 453 G	cover for shift rod		1	
19	N 903 660 01	torx screw M 8 X 36		2	
- - - E N D - - -					

Model	Year	MG	SG	Illustration	Restrictions	Update	18:30	24.08.2006
987	07	3	05	305-00		203		

Pos	Part Number	Name	Remarks	Qty	Model
		differential			G87.01
		transmission			GAL
		classification letter			
		attention			
1	012 409 121 L	differential housing 90 MM		1	
2	012 409 143 EE	ring gear and pinion shaft 30 : 8		1	
3	N 903 614 01	hexagon-head bolt M 10 X 1 X 22,8		10	
4	005 409 177 00	differential bolt		1	
5	012 409 170 A	thrust washer		1	
6	N 100 726 01	roll pin 5 X 36		1	
7	012 409 413	snap ring		2	
8	012 409 131 L	cover		1	
9	002 517 185	taper roller bearing right 46 X 75 X 18		1	
9	012 409 123	taper roller bearing left 50 X 80 X 20		1	
10	012 409 387 DM	shim left 0,45		X	
10	012 409 387 AK	shim right 0,45		X	
(10)	012 409 387 DN	shim left 0,49		X	
(10)	012 409 387 AL	shim right 0,49		X	
(10)	012 409 387 DP	shim left 0,53		X	
(10)	012 409 387 AM	shim right 0,53		X	
(10)	012 409 387 DQ	differential housing left 0,57		X	

PORSCHE

PET

PORSCHE

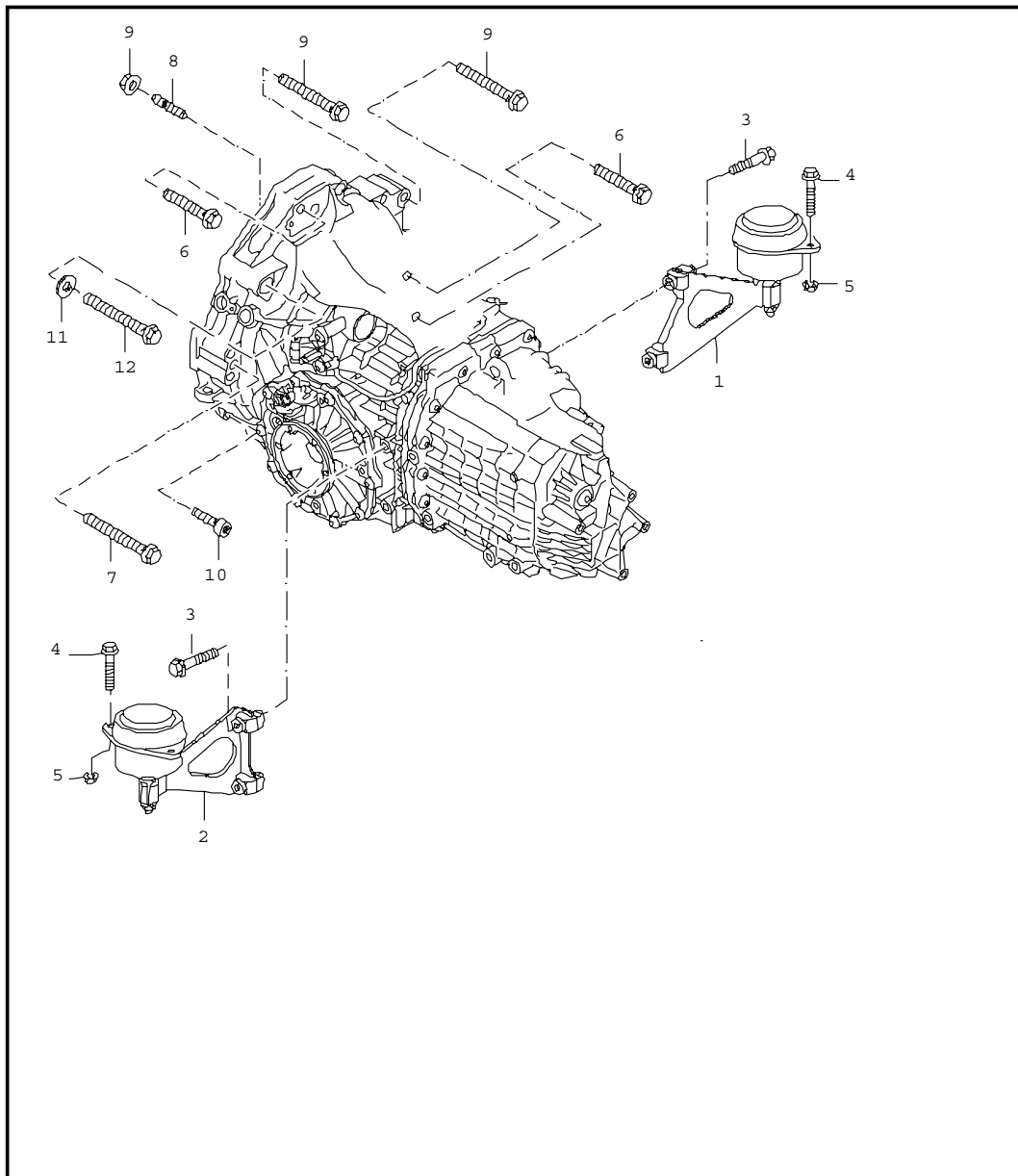
Model	Year	MG	SG	Illustration	Restrictions	Update	18:30	24.08.2006
987	07	3	05	305-00		203		

Pos	Part Number	Name	Remarks	Qty	Model
(10)	012 409 387 AN	shim right 0,57		X	
(10)	012 409 387 DR	shim left 0,61		X	
(10)	012 409 387 AP	shim right 0,61		X	
(10)	012 409 387 DS	shim left 0,65		X	
(10)	012 409 387 AQ	shim right 0,65		X	
(10)	012 409 387 DT	shim left 0,69		X	
(10)	012 409 387 AR	shim right 0,69		X	
(10)	012 409 387 EA	shim left 0,73		X	
(10)	012 409 387 AS	shim right 0,73		X	
(10)	012 409 387 EB	shim left 0,77		X	
(10)	012 409 387 AT	shim right 0,77		X	
(10)	012 409 387 EC	shim left 0,81		X	
(10)	012 409 387 BA	shim right 0,81		X	
(10)	012 409 387 ED	shim left 0,85		X	
(10)	012 409 387 BB	shim right 0,85		X	

Model	Year	MG	SG	Illustration	Restrictions	Update	18:30	24.08.2006
987	07	3	05	305-00		203		

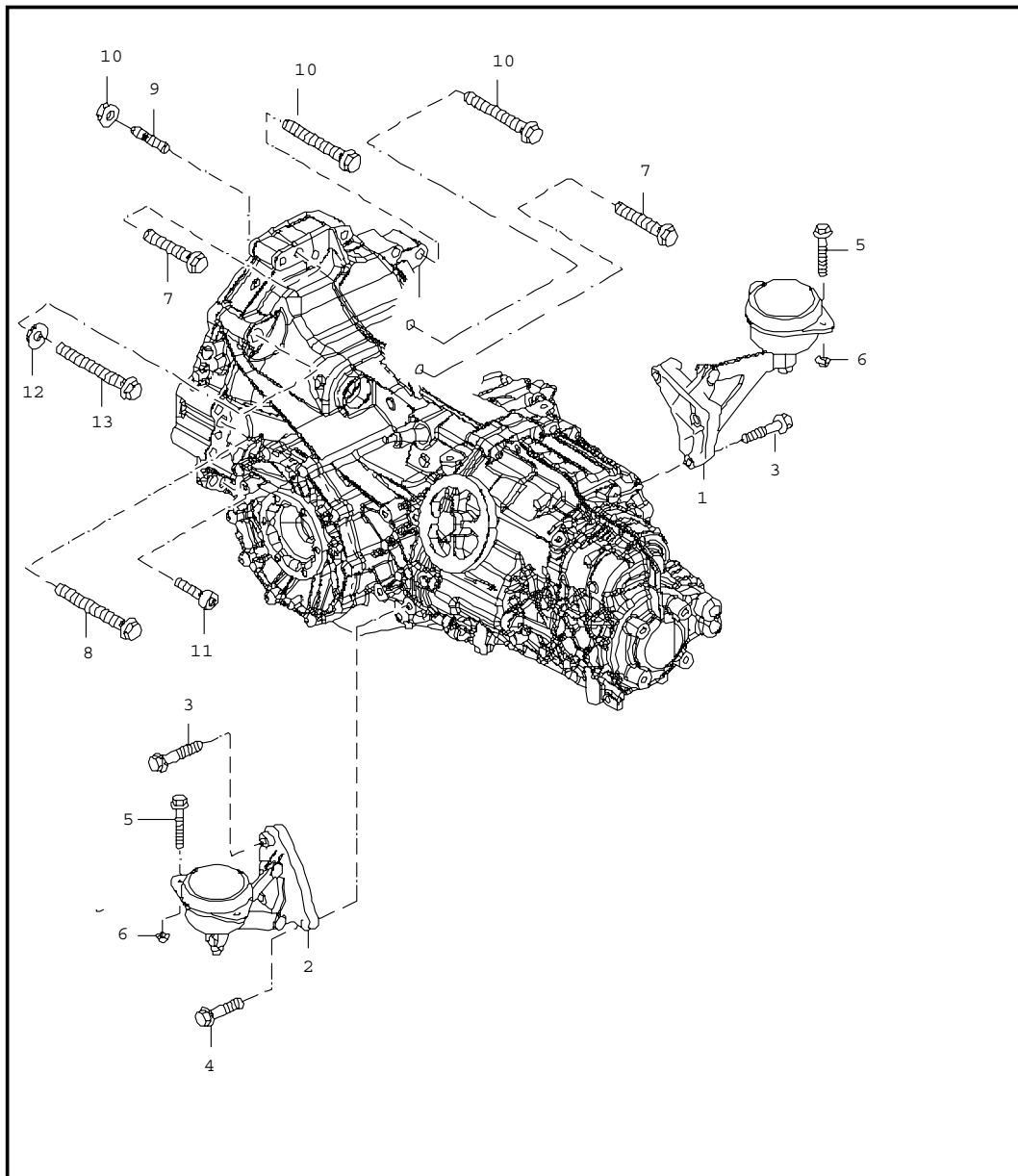
Pos	Part Number	Name	Remarks	Qty	Model
11	02M 498 081 A	differential pinions 1 set		1	
12	111 301 127 E	screw plug		1	
13	016 409 399 B	radial shaft seal 45 X 60 X 8		2	
14	N 903 660 01	torx screw M 8 X 36		10	
(15)	012 409 343 AC	flanged shaft		2	
16	012 409 182 B	drive wheel without function-drive		1	
17	012 409 191 C	sensor without function-drive		1	
18	N 903 684 01	round seal		1	
- - - E N D - - -					

Model	Year	MG	SG	Illustration	Restrictions	Update	18:30	24.08.2006	PORSCHE	PET	PORSCHE
987	07	3	06	306-00		203					



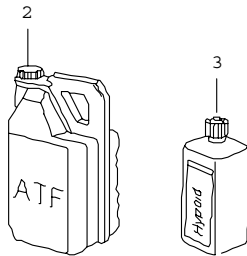
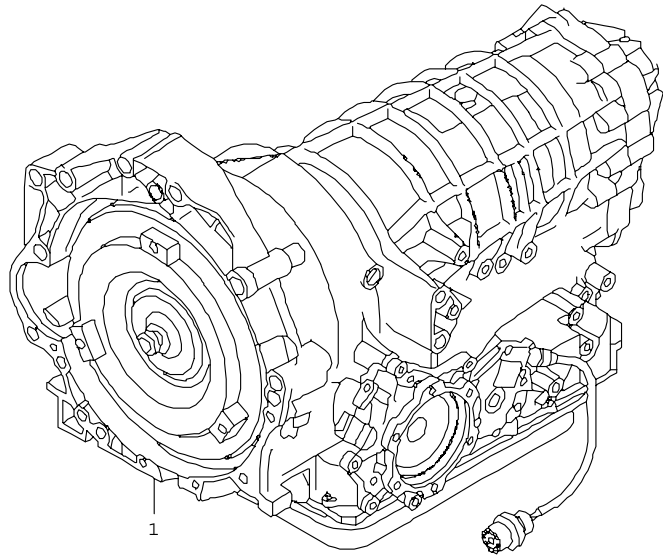
Pos	Part Number	Name	Remarks	Qty	Model
		manual transmission	-06		M96.25
			07-		I481
		transmission suspension threaded joint for engine			M97.20
					I481
1	986 375 084 03	transmission bracket right		1	
2	986 375 083 03	transmission bracket left		1	
3	900 378 098 09	hexagon-head bolt M 10 X 60		4	
4	900 378 159 09	hexagon-head bolt M 8 X 60		4	
5	999 084 447 09	hexagon nut M 8		4	
6	999 072 008 09	hexagon-head bolt M 12 X 1,5 X 70		2	
7	999 072 009 09	hexagon-head bolt M 12 X 1,5 X 90		2	
8	999 218 088 09	stud M 10 X 30		1	
9	900 377 011 09	hexagon nut M 10		1	
10	999 073 118 09	pan-head screw M 10 X 40		1	
11	N 905 028 02	washer 15 X 28 X 3,5		1	
12	999 072 010 09	hexagon-head bolt M 12 X 1,5 X 100		1	
		- - - E N D - - -			

Model	Year	MG	SG	Illustration	Restrictions	Update	18:31	24.08.2006	PORSCHE	PET	PORSCHE
987	07	3	06	306-01		203					



Pos	Part Number	Name	Remarks	Qty	Model
		manual transmission	-06 -06		M96.26 M96.25 I480
		transmission suspension threaded joint engine	07- 07-		M97.21 M97.20 I480
1	987 375 042 01	transmission bracket right		1	
2	987 375 041 01	transmission bracket left		1	
3	900 378 098 09	hexagon-head bolt M 10 X 60		4	
4	900 378 021 09	hexagon-head bolt M 10 X 40		2	
5	900 378 159 09	hexagon-head bolt M 8 X 60		4	
6	900 380 005 09	hexagon nut M 8		4	
7	999 072 008 09	hexagon-head bolt M 12 X 1,5 X 70		1	
8	999 072 009 09	hexagon-head bolt M 12 X 1,5 X 90		3	
9	999 218 088 09	stud M 10 X 30		1	
10	900 377 011 09	hexagon nut M 10		1	
11	999 073 118 09	pan-head screw M 10 X 40		1	
12	N 905 028 02	washer 15 X 28 X 3,5		1	
13	999 072 010 09	hexagon-head bolt M 12 X 1,5 X 100		1	
		- - - E N D - - -			

Model	Year	MG	SG	Illustration	Restrictions	Update	18:31	24.08.2006	PORSCHE	PET	PORSCHE
987	07	3	20	320-00		203					



Pos	Part Number	Name	Remarks	Qty	Model
		tiptronic	-06 -06 07- 07-		A87.01 A87.20 A87.02 A87.21
		replacement transmission ready for installation			
1	987 300 011 00	transmission	05	1	A87.01
1	P 987 300 011 01	transmission	06	1	A87.01
1	P 987 300 011 02	transmission	07-	1	A87.02
1	987 300 011 20	transmission	-06	1	A87.20
2	P 987 300 011 21	transmission	07-	1	A87.21
2	000 043 205 09	transmission oil ATF 20 LTR. container		X	
3	999 917 546 00	transmission oil HYPOID 1 LTR. container		X	
- - - E N D - - -					

Model	Year	MG	SG	Illustration	Restrictions	Update	18:31	24.08.2006
987	07	3	20	320-03		203		

Pos	Part Number	Name	Remarks	Qty	Model
		tiptronic	-06 -06 07- 07-		A87.01 A87.20 A87.02 A87.21
		differential differential housing			
1	944 332 587 00	elastic bolt M 8		1	
2	986 332 201 00	drive flange	-06 07-	1	A87.01 A87.02
2	986 332 201 20	drive flange	-06 07-	1	A87.20 A87.21
3	986 397 027 00	shaft seal for cover		1	
(3)	996 397 015 00	shaft seal for flange		1	
4	986 397 029 00	pan-head screw M 8 X 45		12	
5	986 397 028 00	round seal		1	
6	986 397 034 00	o-ring		1	
7	996 397 007 00	pan-head screw M 8 X 30		3	
- - - E N D - - -					

PORSCHE

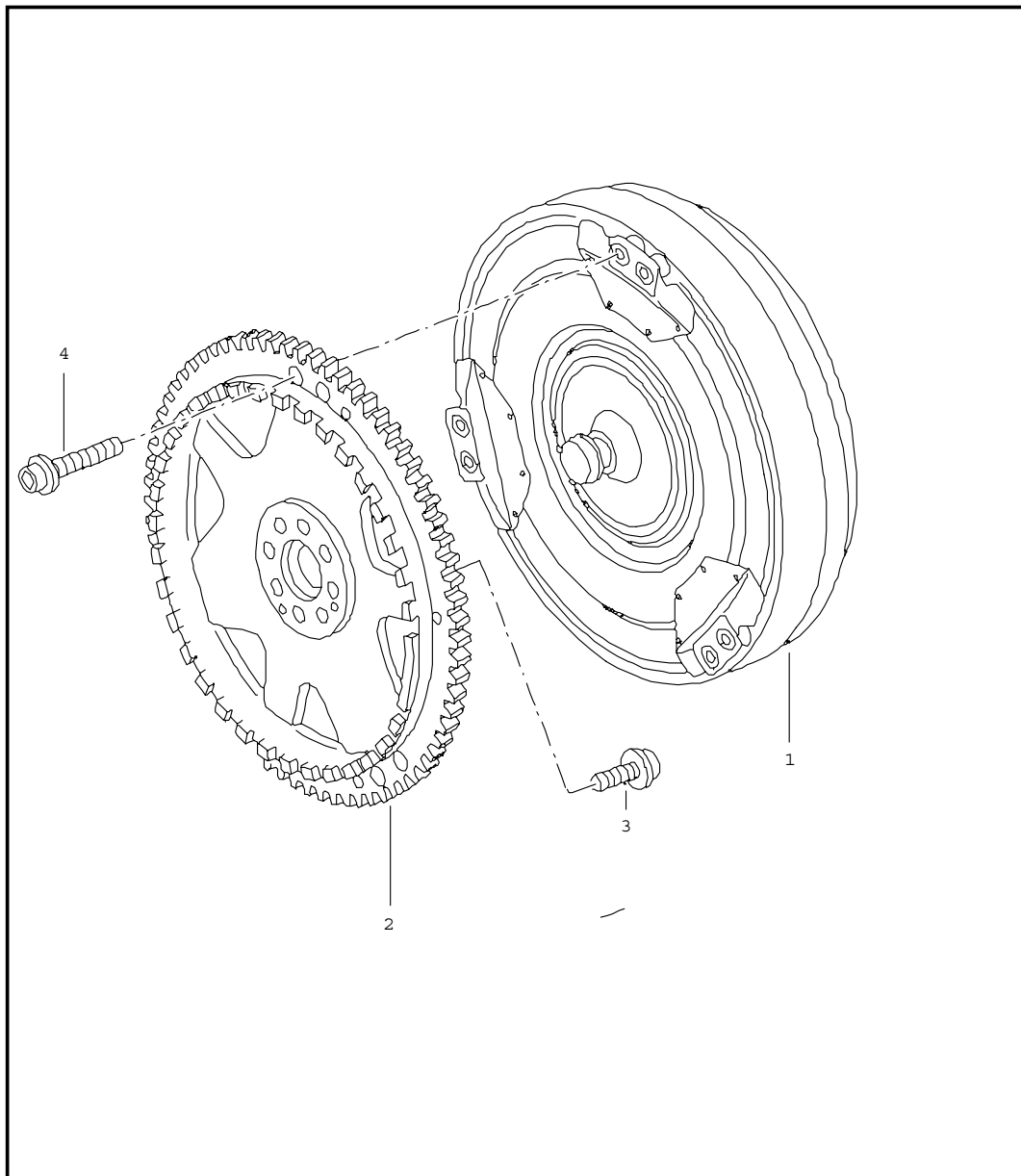
PET

PORSCHE

Model	Year	MG	SG	Illustration	Restrictions	Update	18:31	24.08.2006
987	07	3	20	320-05		203		

Pos	Part Number	Name	Remarks	Qty	Model
		tiptronic	-06 -06 07- 07-		A87.01 A87.20 A87.02 A87.21
1	986 325 612 01	selector switch switch		1	
2	986 397 025 00	pan-head screw M 6 X 15		2	
3	986 397 024 00	straight pin M 6 X 14		1	
- - - E N D - - -					

Model	Year	MG	SG	Illustration	Restrictions	Update	18:32	24.08.2006	PORSCHE	PET	PORSCHE
987	07	3	30	330-00		203					



Pos	Part Number	Name	Remarks	Qty	Model
		tiptronic	-06 -06 07- 07-		A87.01 A87.20 A87.02 A87.21
		torque converter			
1	986 316 001 00	torque converter		1	
2	996 116 075 07	drive plate		1	
3	999 073 091 09	pan-head screw M 10 X 1 X 25		8	
4	900 067 369 09	pan-head screw M 8 X 20		6	
		--- E N D ---			

PORSCHE

PET

PORSCHE

Model	Year	MG	SG	Illustration	Restrictions	Update		
987	07	3	30	330-01		203	18:32	24.08.2006

Pos	Part Number	Name	Remarks	Qty	Model
		tiptronic	-06 -06 07- 07-		A87.01 A87.20 A87.02 A87.21
1	996 397 010 00	oil pump shaft seal		1	
2	986 397 012 00	washer		1	
		- - - E N D - - -			

Model	Year	MG	SG	Illustration	Restrictions	Update	18:32	24.08.2006
987	07	3	40	340-01		203		

Pos	Part Number	Name	Remarks	Qty	Model
		tiptronic	-06 -06 07- 07-		A87.01 A87.20 A87.02 A87.21
		oil filter oil pan			
1	986 321 025 02	oil pan		1	
2	986 397 016 00	gasket		1	
3	943 397 039 00	pan-head screw M 6 X 20		27	
4	986 397 014 00	round seal		1	
5	986 397 015 00	screw plug M 30 X 1,5		1	
6	986 397 013 00	screw plug M 16 X 1,5		1	
7	943 397 045 00	pan-head screw M 5 X 12		2	
8	986 307 403 00	filter		2	
- - - E N D - - -					

Model	Year	MG	SG	Illustration	Restrictions	Update	18:32	24.08.2006
987	07	3	40	340-02		203		

Pos	Part Number	Name	Remarks	Qty	Model
		tiptronic	-06 -06 07- 07-		A87.01 A87.20 A87.02 A87.21
		switch unit solenoid valve pressure regulator			
1	986 325 617 01	switch unit		1	
2	986 325 608 00	inductive transmitter		1	
3	986 397 019 00	pan-head screw M 5 X 40		2	
4	986 325 604 01	pressure regulator		1	
5	986 325 615 00	retaining bracket		2	
6	986 325 601 00	solenoid valve		3	
7	943 397 045 00	pan-head screw M 5 X 12		5	
8	986 325 603 00	pressure regulator		3	
9	986 325 611 00	wiring harness		1	
10	986 397 018 00	clamp		1	
11	986 397 017 00	o-ring		2	
12	986 397 020 00	spacer ring		2	
13	943 325 111 00	retaining bracket		1	
14	943 397 013 00	pan-head screw M 6 X 30		1	
15	943 397 005 00	pan-head screw M 6 X 60		16	
		- - - E N D - - -			

Model	Year	MG	SG	Illustration	Restrictions	Update	18:33	24.08.2006
987	07	3	60	360-00		203		

Pos	Part Number	Name	Remarks	Qty	Model
		tiptronic	-06 -06 07- 07-		A87.01 A87.20 A87.02 A87.21
		atf cooler atf lines			
1	996 307 017 01	atf cooler		1	
2	999 707 388 40	o-ring 18,64 X 3,53		2	
3	900 331 034 40	o-ring 25,8 X 3,55		2	
4	999 073 116 09	oval-head screw M 8 X 55		1	
5	986 307 020 00	port plate		1	
6	986 307 075 21	water line supply		1	
7	986 307 143 02	latch		1	
8	999 073 103 09	round head screw M 6 X 16		2	
9	999 073 094 09	round head screw M 8 X 20		4	
10	999 512 656 09	hose clamp B 25 X 12		6	
11	900 181 060 50	hose 18 X 3,5 X 50		4	
12	928 574 573 03	disc valve		1	
13	928 574 717 03	hose elbow		1	
14	999 181 742 40	pipe		1	
15	999 073 105 09	round head screw M 8 X 40		2	
16	986 307 075 21	water line supply		1	
17	986 307 085 04	oil pipe return		1	
18	986 307 082 04	oil pipe supply		1	
19	996 307 147 00	support		1	
20	999 073 103 09	round head screw M 6 X 16		4	

PORSCHE

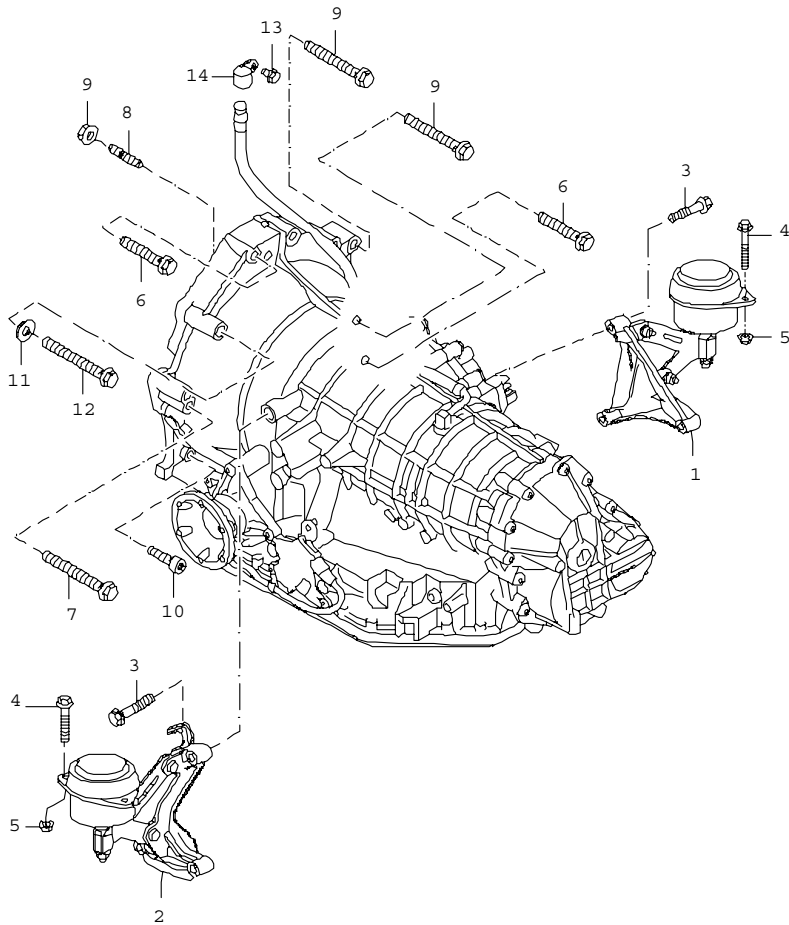
PET

PORSCHE

Model	Year	MG	SG	Illustration	Restrictions	Update	18:33	24.08.2006
987	07	3	60	360-00		203		

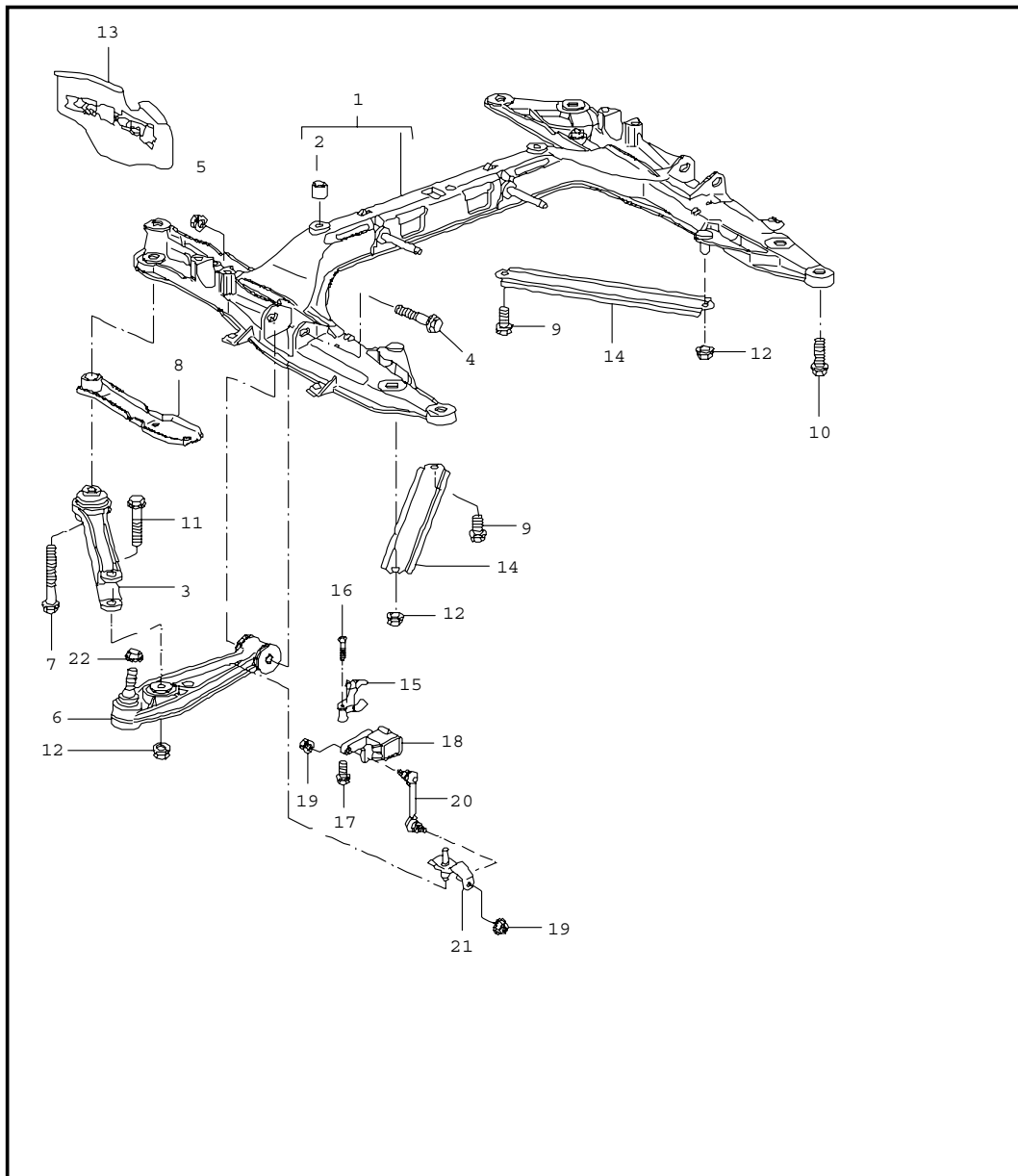
Pos	Part Number	Name	Remarks	Qty	Model
21	987 307 077 01	water line return		1	
22	999 239 040 40	connecting hose		1	
23	996 605 123 01	change-over valve		1	
24	999 707 387 40	o-ring 15 X 2,5		2	
25	999 707 386 40	o-ring 12,37 X 2,62		2	
- - - E N D - - -					

Model	Year	MG	SG	Illustration	Restrictions	Update	18:33	24.08.2006	PORSCHE	PET	PORSCHE
987	07	3	70	370-00		203					



Pos	Part Number	Name	Remarks	Qty	Model
		tiptronic	-06 -06		M96.25 M96.26 I249
		transmission suspension threaded joint for engine	07- 07-		M97.21 M97.20 I249
1	986 375 094 03	transmission bracket right		1	
2	987 375 093 01	transmission bracket left		1	
3	900 378 076 09	hexagon-head bolt M 10 X 50		6	
4	900 378 159 09	hexagon-head bolt M 8 X 60		4	
5	999 084 447 09	hexagon nut M 8		4	
6	999 072 008 09	hexagon-head bolt M 12 X 1,5 X 70		1	
7	999 072 009 09	hexagon-head bolt M 12 X 1,5 X 90		3	
8	999 218 088 09	stud M 10 X 30		1	
9	900 377 011 09	hexagon nut M 10		1	
10	999 073 119 09	pan-head screw M 10 X 50		1	
11	N 905 028 02	washer 15 X 28 X 3,5		1	
12	999 072 010 09	hexagon-head bolt M 12 X 1,5 X 100		1	
13	900 378 036 09	hexagon-head bolt M 6 X 12		1	
14	999 511 142 02	clip A 1		1	
- - - E N D - - -					

Model	Year	MG	SG	Illustration	Restrictions	Update	18:33	24.08.2006	PORSCHE	PET	PORSCHE
987	07	4	01	401-00		203					

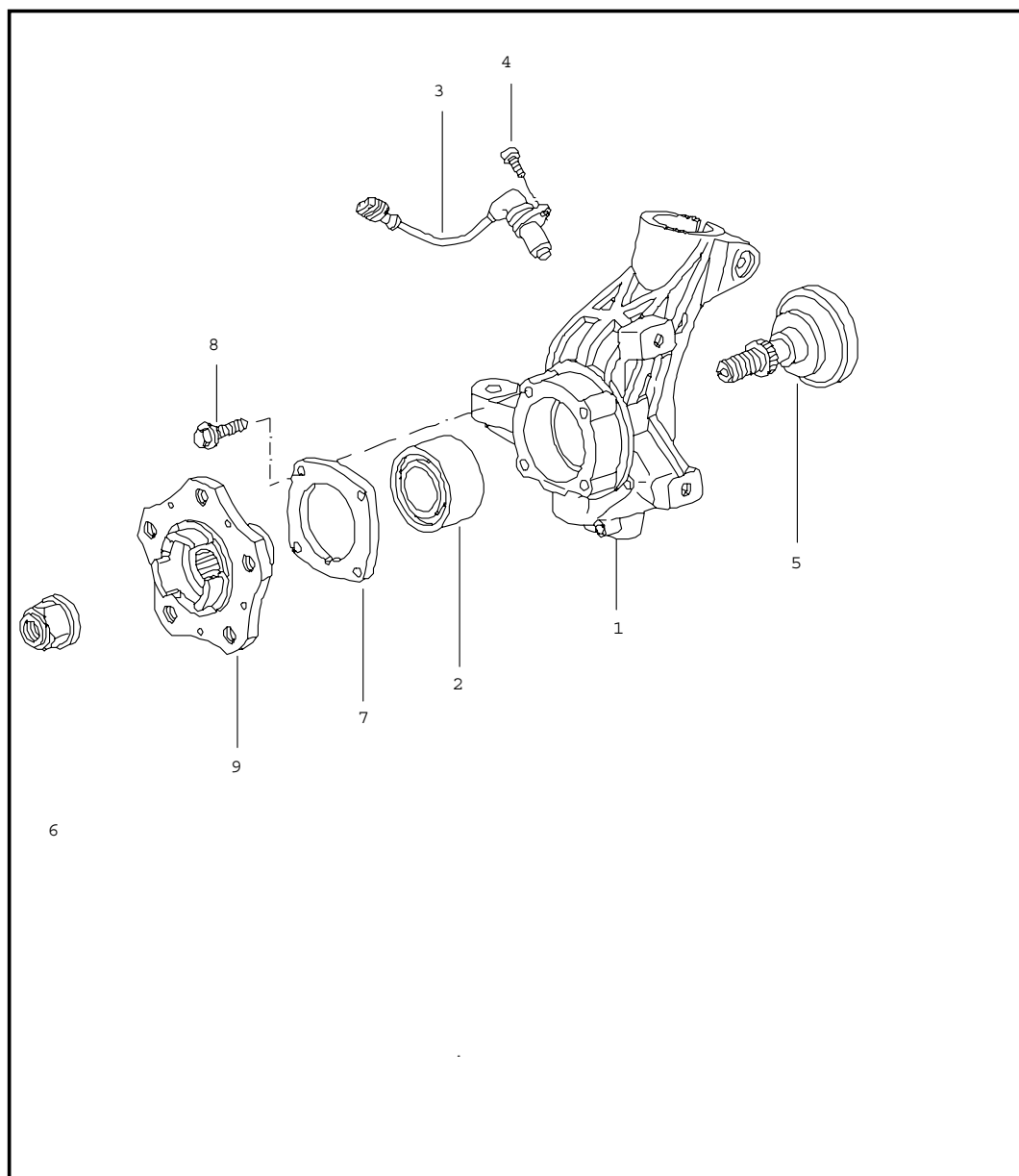


Pos	Part Number	Name	Remarks	Qty	Model
		cross member control arm			
1	997 341 081 04	cross member		1	
2	900 197 070 00	roll pin 13 X 14		1	
3	997 341 043 00	control arm		2	
4	900 378 165 09	hexagon-head bolt M 12 X 1,5 X 95		2	
5	999 084 445 09	lock nut M 12 X 1,5		2	
6	997 341 053 00	control arm	05	2	
(6)	997 341 053 03	control arm	06-	2	
7	900 378 241 09	hexagon-head bolt M 14 X 1,5 X 120	05	2	
(7)	999 072 050 09	hexagon-head bolt M 14 X 1,5 X 120	06-	2	
8	997 341 145 01	plate	05	2	
(8)	997 341 145 05	plate	06-	2	
9	999 072 047 09	hexagon-head bolt M 12 X 1,5 X 30		6	
(10)	900 378 192 09	hexagon-head bolt M 14 X 1,5 X 50		4	
11	900 378 279 09	hexagon-head bolt M 14 X 1,5 X 95		2	
12	900 380 012 09	hexagon nut M 14 X 1,5		2	
13	996 341 483 05	spoiler	/L	1	
13	996 341 484 05	spoiler	/R	1	
14	996 504 433 00	strut		2	
15	support see illustrations 1/05/10 Pos.10		1	I601
16	900 146 003 02	oval-head screw M 5 X 10		2	I601
17	900 378 036 09	hexagon-head bolt M 6 X 12		1	I601

Model	Year	MG	SG	Illustration	Restrictions	Update	18:33	24.08.2006	PORSCHE	PET	PORSCHE
987	07	4	01	401-00		203					

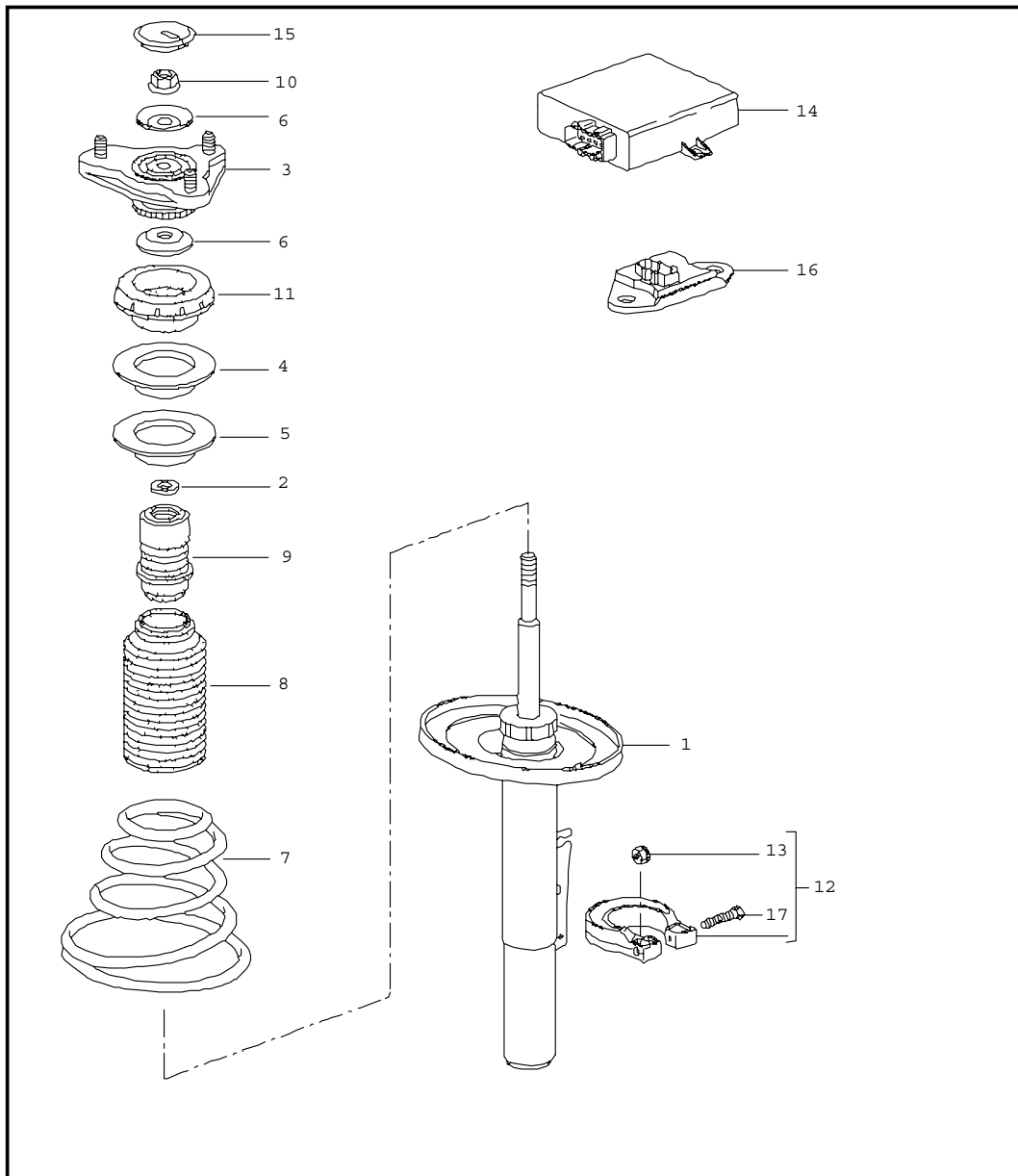
Pos	Part Number	Name	Remarks	Qty	Model	Pos	Part Number	Name	Remarks	Qty	Model
18	997 631 121 00	sensor		1	I601						
19	900 380 015 09	hexagon nut M 6		2	I601						
20	997 341 375 01	strut		1	I601						
21	996 341 371 03	support		1	I601						
22	999 084 449 09	hexagon nut M 12 X 1,5		2							
		- - - E N D - - -									

Model	Year	MG	SG	Illustration	Restrictions	Update	18:33	24.08.2006	PORSCHE	PET	PORSCHE
987	07	4	01	401-05		203					



Pos	Part Number	Name	Remarks	Qty	Model
		wheel carrier wheel hub			
1	997 341 157 05	wheel carrier	/L	1	
(1)	997 341 157 25	wheel carrier	/L	1	I450
(1)	997 341 158 05	wheel carrier	/R	1	
(1)	997 341 158 25	wheel carrier	/R	1	I450
2	999 053 054 05	angular-contact bearing		2	
3	997 606 407 01	speed sensor		2	
-	999 507 464 40	support		2	
4	900 067 117 09	pan-head screw M 6 X 16		2	
5	997 341 131 00	tension bolt		2	
6	999 084 634 02	hexagon nut M 22 X 1,5		2	
7	986 331 661 20	cover		2	
8	999 217 042 09	hexagon-head bolt M 8 X 35		8	
9	997 341 605 01	wheel hub		2	
		- - - E N D - - -			

Model	Year	MG	SG	Illustration	Restrictions	Update	18:33	24.08.2006	PORSCHE	PET	PORSCHE
987	07	4	02	402-00		203					

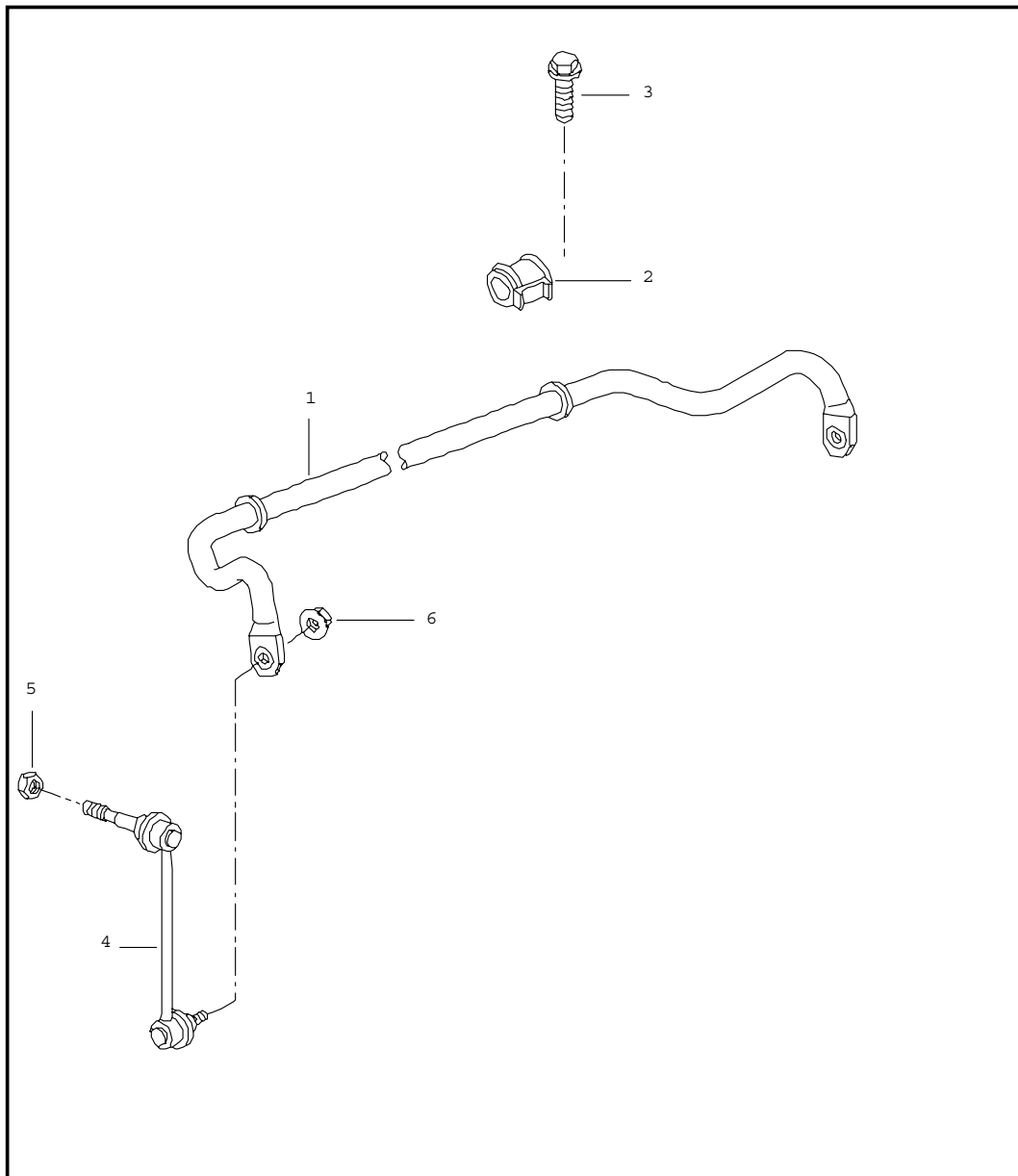


Pos	Part Number	Name	Remarks	Qty	Model
1	987 343 041 06	springs shock absorber strut		2	
(1)	987 343 045 06	shock absorber		2	I475
-	900 378 138 09	mount shock absorber		2	
-	999 084 445 09	hexagon-head bolt M 12 X 1,5 X 70		2	
-	999 084 445 09	lock nut M 12 X 1,5		2	
2	996 343 513 00	washer		2	
3	997 343 018 00	supporting mount		2	
-	999 084 447 09	hexagon nut M 8		6	
4	996 343 517 01	support ring		2	
5	996 343 511 00	compensating plate 3,0 MM		X	
(5)	996 343 511 01	compensating plate 6,5 MM		X	
6	997 343 107 01	stop plate		4	
(6)	997 343 107 00	stop plate lower		2	I475
(6)	997 343 107 01	stop plate upper		2	
7	997 343 531 32	coil spring 1 set		1	
	504	marked rapeseed yellow blue			
		F >>985S7 00085			
		F >>985U7 01649			
		F >>985S7 20067			
		F >>985U7 21706			
(7)	997 343 531 38	coil spring 1 set		1	

Model	Year	MG	SG	Illustration	Restrictions	Update	18:33	24.08.2006	PORSCHE	PET	PORSCHE
987	07	4	02	402-00		203					

Pos	Part Number	Name	Remarks	Qty	Model	Pos	Part Number	Name	Remarks	Qty	Model
	504	marked rapeseed yellow blue F 985S7 00086>> F 985U7 01650>> F 985S7 20068>> F 985U7 21707>>				17	900 378 111 09	hexagon-head bolt M 6 X 60		2	
(7)	997 343 531 30	coil spring 1 set		1	I475			- - - E N D - - -			
	504	marked blue red F >>985S7 00084 F >>985U7 01652 F >>985S7 20089 F >>985U7 21707									
(7)	997 343 531 37	coil spring 1 set		1	I475						
	504	marked blue red F 985S7 00085>> F 985U7 01653>> F 985S7 20090>> F 985U7 21708>>									
8	996 343 505 00	bellows		2							
9	996 343 301 02	additional spring		2							
10	900 380 012 09	hexagon nut M 14 X 1,5		2							
(11)	996 343 515 05	deep-groove ball bearing with housing		2							
(12)	997 343 569 00	clip		2	BOXSTER-S						
13	900 377 010 09	hexagon nut M 6		2	BOXSTER-S						
-	900 378 111 09	hexagon-head bolt M 6 X 60		2							
14	987 618 105 05	control unit	-05	1	I475						
(14)	987 618 105 09	control unit	06-	1	I475						
15	999 703 457 40	cover		2							
16	997 606 111 00	acceleration sensor body		1							

Model	Year	MG	SG	Illustration	Restrictions	Update	18:34	24.08.2006	PORSCHE	PET	PORSCHE
987	07	4	02	402-05		203					

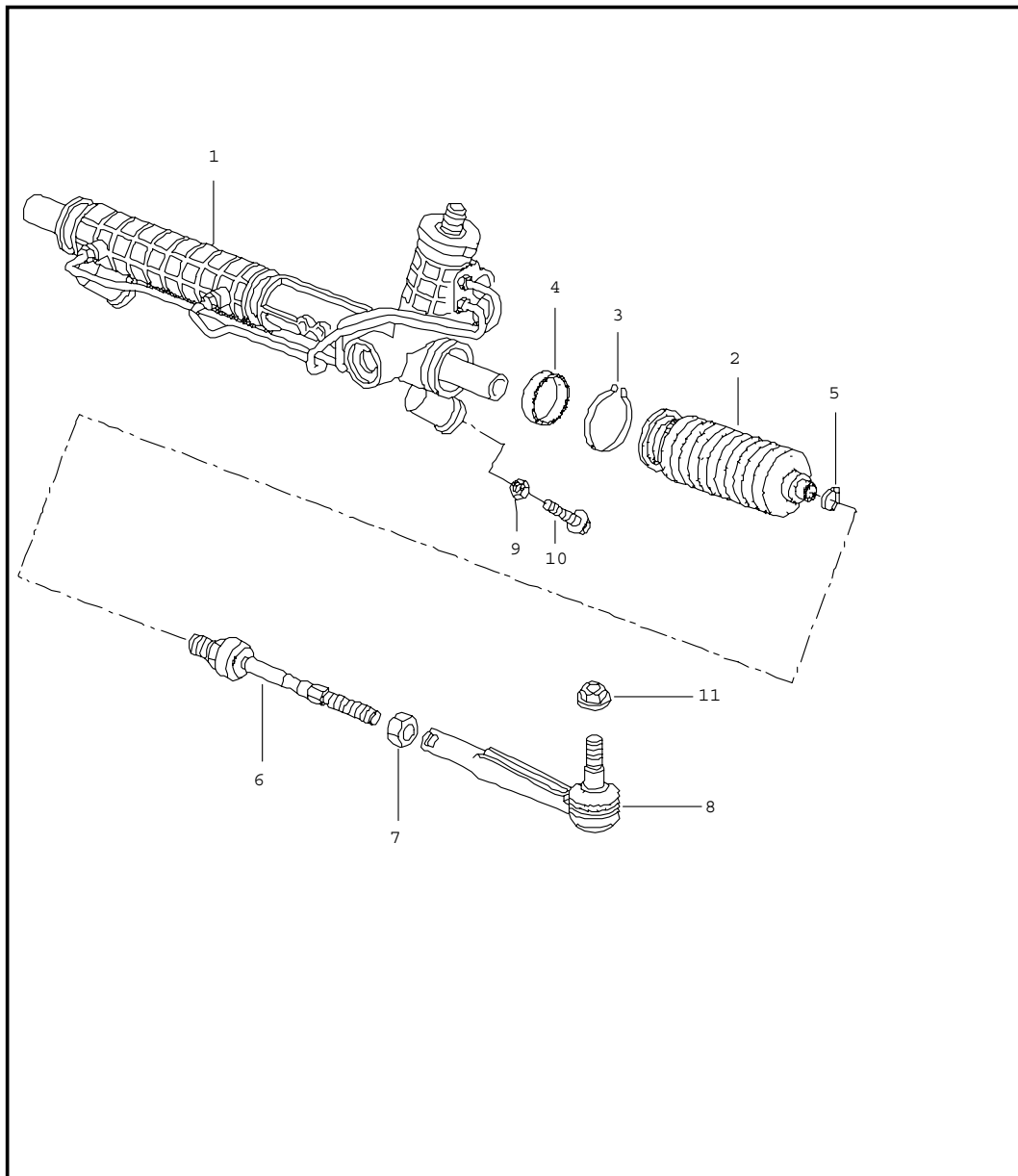


Pos	Part Number	Name	Remarks	Qty	Model
1	997 343 701 03	stabiliser		1	BOXSTER I249 BOXSTER I481
(1)	997 343 701 04	stabiliser		1	BOXSTER I480
(1)	997 343 701 05	stabiliser		1	BOXSTER I475
(1)	997 343 701 04	stabiliser		1	BOXSTER-S I029
(1)	997 343 701 05	stabiliser		1	BOXSTER-S I475
2	996 343 792 12	stabiliser mounting		2	BOXSTER I029/249
(2)	996 343 792 17	stabiliser mounting		2	BOXSTER I029/481
(2)	996 343 792 17	stabiliser mounting		2	BOXSTER I029/480
(2)	996 343 792 17	stabiliser mounting		2	BOXSTER I475
(2)	996 343 792 17	stabiliser mounting		2	BOXSTER-S I029
(2)	996 343 792 17	stabiliser mounting		2	BOXSTER-S I475
3	900 378 070 09	hexagon-head bolt M 10 X 30		4	
4	997 343 069 00	stabiliser mounting see technical manual group 4 NR.407819	/L	1	
(4)	997 343 069 01	stabiliser mounting see technical manual group 4 NR 407819	/L	1	
(4)	997 343 070 00	stabiliser mounting see technical manual group 4 NR.407819	/R	1	

Model	Year	MG	SG	Illustration	Restrictions	Update	18:34	24.08.2006	PORSCHE	PET	PORSCHE
987	07	4	02	402-05		203					

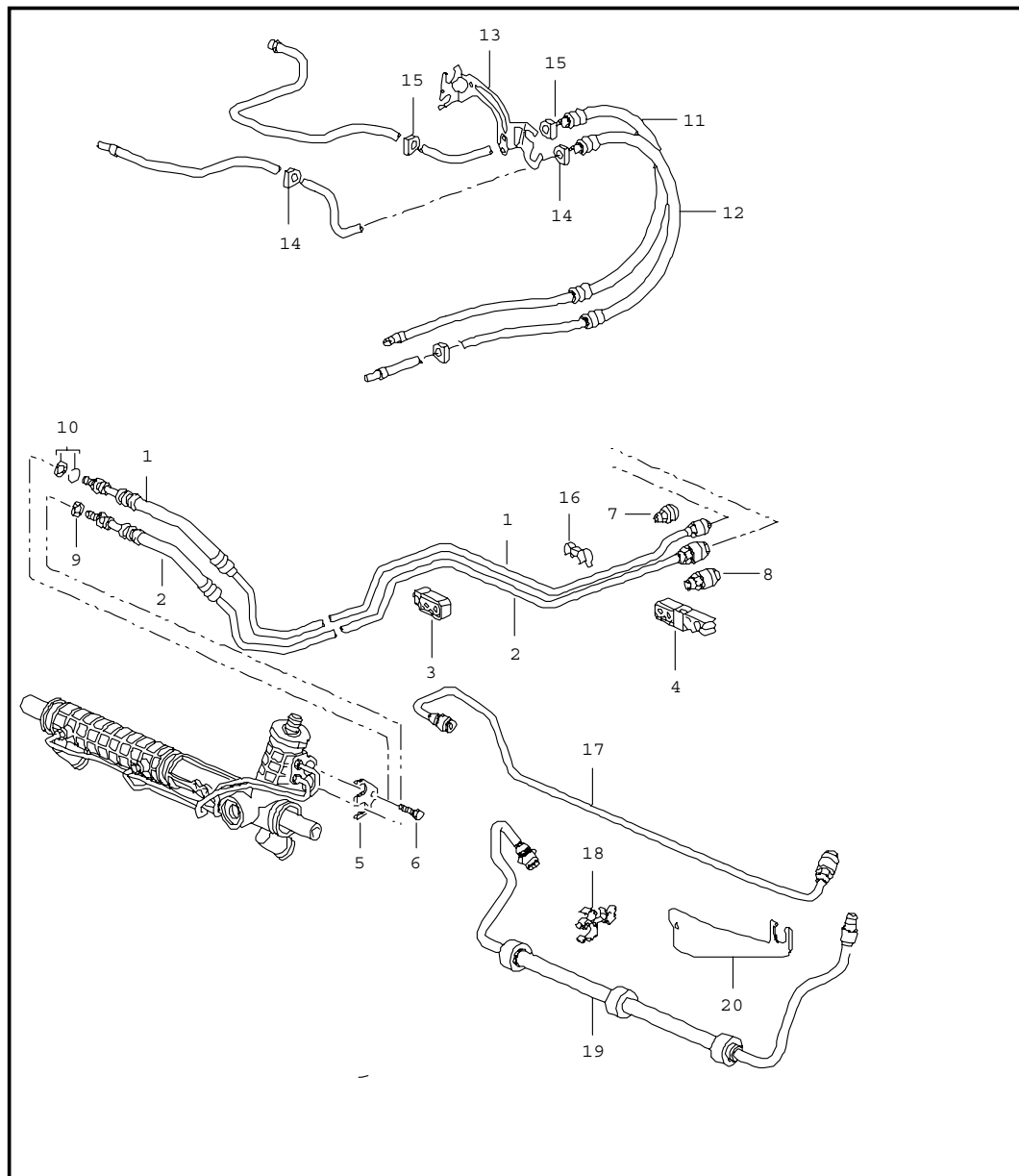
Pos	Part Number	Name	Remarks	Qty	Model	Pos	Part Number	Name	Remarks	Qty	Model
(4)	997 343 070 01	stabiliser mounting see technical manual group 4 NR.407819	/R	1							
5	999 084 445 09	lock nut M 12 X 1,5 see technical manual group 4 NR.407819		2							
(5)	999 084 123 09	hexagon nut M 10 see technical manual group 4 NR.407819		2							
6	999 084 643 09	hexagon nut M 10 see technical manual group 4 NR.407819		2							
(6)	999 084 123 09	hexagon nut M 10 see technical manual group 4 NR.407819		2							
		- - - E N D - - -									

Model	Year	MG	SG	Illustration	Restrictions	Update	18:34	24.08.2006	PORSCHE	PET	PORSCHE
987	07	4	03	403-00		203					



Pos	Part Number	Name	Remarks	Qty	Model
		power steering steering gear steering parts			
1	997 347 011 03	steering gear power steering		1	I098
(1)	997 347 012 02	steering gear power steering		1	I099
-	996 347 110 02	clip pinion steering gear		1	
2	997 347 191 00	bellows for steering gear		2	
3	996 347 293 04	clamping ring for steering gear		2	
4	997 347 373 00	sealing ring for steering gear		2	
5	999 512 693 09	clamping ring		2	
6	997 347 322 00	joint		2	
7	999 034 037 09	hexagon nut M 14 X 1,5		2	
8	996 347 131 04	track rod		2	
9	-	see illustrations 4/01/00 POS.2			
10	900 378 100 09	hexagon-head bolt AM 10 X 45		2	
11	999 084 449 09	hexagon nut M 12 X 1,5		2	
		- - - E N D - - -			

Model	Year	MG	SG	Illustration	Restrictions	Update	18:34	24.08.2006	PORSCHE	PET	PORSCHE
987	07	4	03	403-01		203					

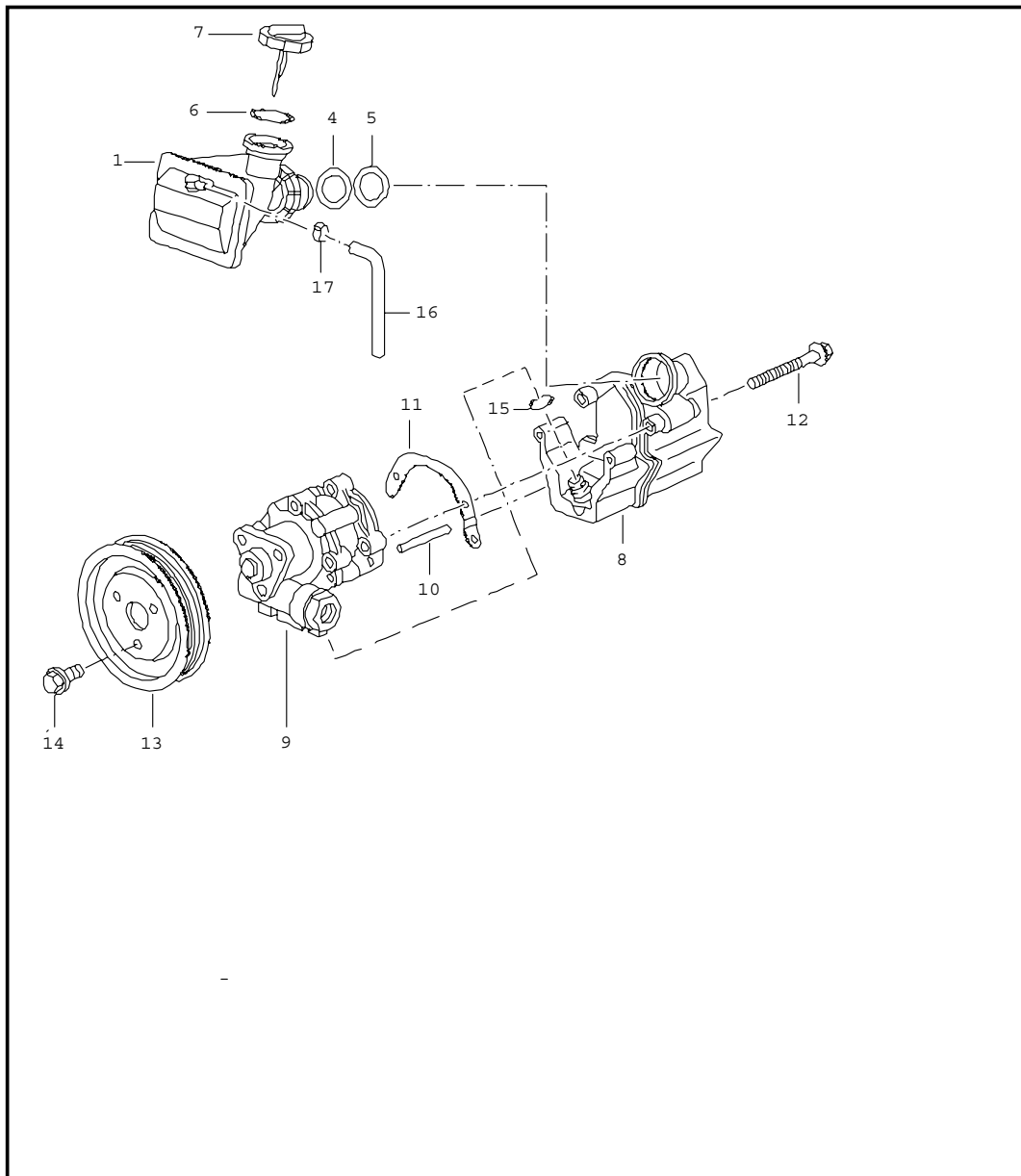


Pos	Part Number	Name	Remarks	Qty	Model
		power steering lines			
1	997 347 451 03	pressure line		1	I098
(1)	997 347 452 02	pressure line		1	I099
2	987 347 449 00	return line		1	I098
(2)	987 347 650 00	return line		1	I099
3	996 347 543 00	cable holder		3	
4	996 355 543 00	support		1	
5	996 347 769 01	tension shackle		1	
6	900 067 063 02	pan-head screw M 10 X 20		1	
7	999 230 552 10	threaded joint		1	
8	999 230 551 10	threaded joint		1	
-	999 230 683 40	safety clip for threaded joint pressure line		X	
-	999 230 584 40	circlip threaded joint return line		1	I098
-	999 230 584 40	circlip threaded joint return line		2	I099
9	999 230 542 40	o-ring		X	
10	999 230 543 40	repair kit gaskets		X	
11	987 347 443 02	pressure line		1	
12	987 347 439 01	return line		1	
13	987 347 749 01	support		1	
14	999 702 210 40	rubber sleeve		4	
15	999 702 226 40	rubber sleeve		3	
16	999 507 091 40	cable holder		3	
17	997 347 564 02	pressure line		1	I099
18	999 507 963 40	support		1	I099

Model	Year	MG	SG	Illustration	Restrictions	Update	18:34	24.08.2006	PORSCHE	PET	PORSCHE
987	07	4	03	403-01		203					

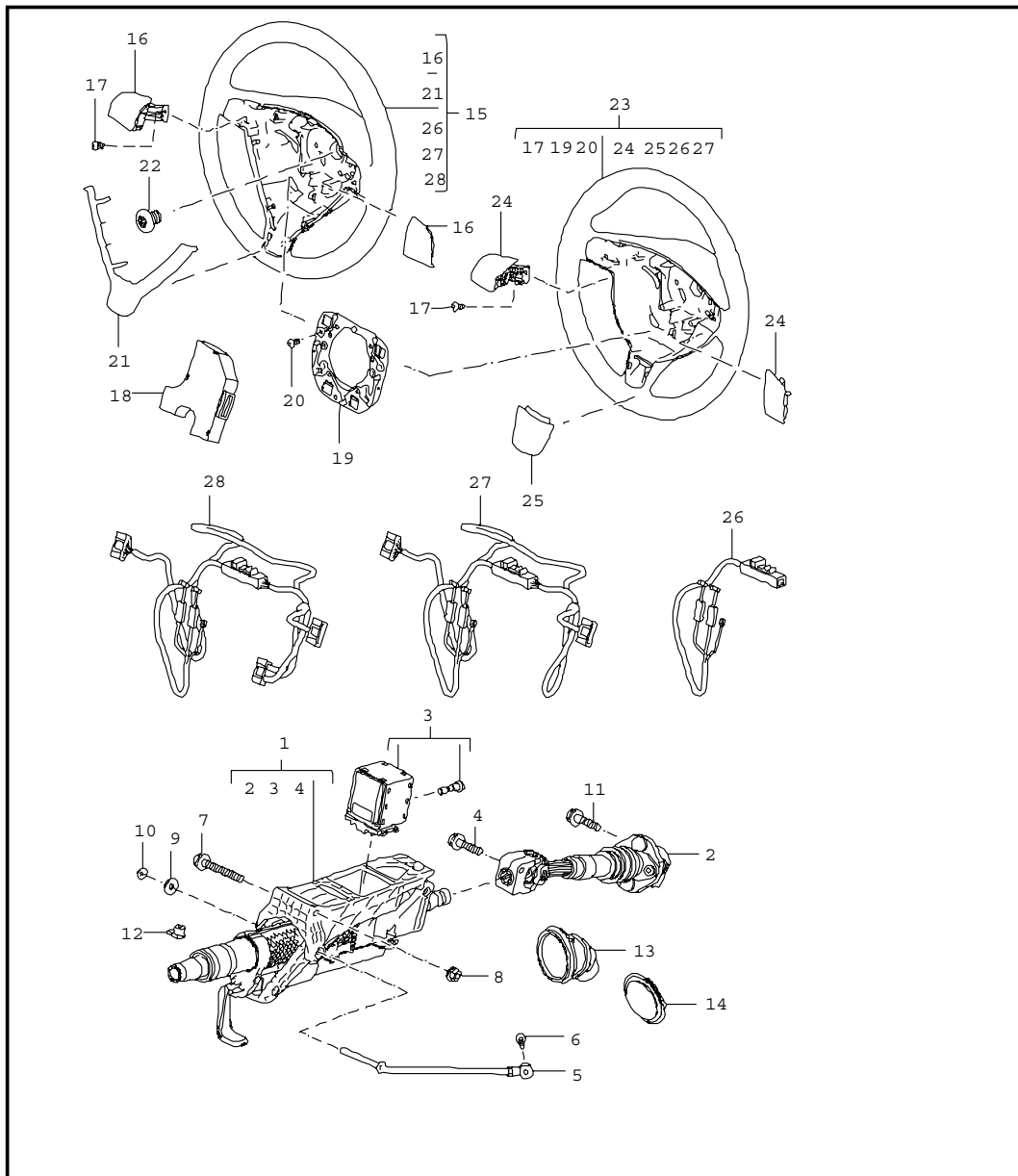
Pos	Part Number	Name	Remarks	Qty	Model	Pos	Part Number	Name	Remarks	Qty	Model
19	997 347 560 00	support		1	I099						
20	997 347 462 02	return line		1	I099						
		- - - E N D - - -									

Model	Year	MG	SG	Illustration	Restrictions	Update	18:34	24.08.2006	PORSCHE	PET	PORSCHE
987	07	4	03	403-03		203					



Pos	Part Number	Name	Remarks	Qty	Model
		power steering power-steering pump container			
1	986 314 225 02	expansion tank		1	
4	999 707 362 40	sealing ring		1	
5	999 707 363 40	sealing ring		1	
6	999 701 154 40	sealing ring		1	
7	986 314 223 00	cover		1	
8	997 314 220 00	oil tank		1	
9	996 314 050 02	power-steering pump		1	
10	996 314 320 03	straight pin		2	
11	996 314 431 05	bracket		1	
12	900 378 105 09	hexagon-head bolt AM 8 X 70		2	
13	996 147 223 60	pulley		1	
14	900 378 074 09	hexagon-head bolt M 8 X 16		3	
15	999 707 204 40	sealing ring 12.5 X 2N		1	
-	000 043 203 33	pentosin 1000 ML		X	
		- - - E N D - - -			

Model	Year	MG	SG	Illustration	Restrictions	Update	18:35	24.08.2006	PORSCHE	PET	PORSCHE
987	07	4	03	403-05		203					



Pos	Part Number	Name	Remarks	Qty	Model
1	997 347 007 05	steering outer tube steering shaft steering wheels		1	
	997 347 007 05	steering column complete with steering shaft		1	
2	997 347 023 02	intermed. steering shaft		1	
3	A 997 618 158 01	control unit steering column with screw		1	
(3)	997 618 158 03	control unit steering column with screw		1	
4	999 217 042 09	hexagon-head bolt M 8 X 35		1	
5	997 347 243 00	support		1	
6	900 378 173 09	hexagon-head bolt AM 6 X 20		1	
7	900 378 095 09	hexagon-head bolt M 10 X 100		1	
8	900 380 008 09	hexagon nut M 10		1	
9	900 151 006 09	washer		1	
10	999 507 217 07	clamping washer		1	
11	999 217 042 09	hexagon-head bolt M 8 X 35		1	
12	999 920 019 40	special nut 3,5 X 2,5 X 9		1	
13	986 347 037 01	bellows		1	
14	996 347 339 02	rubber seal bulkhead		1	
15	997 347 804 03	steering wheel leather embossed		1	I436/481/480
	FOA	black			
	FOB	stone grey			

Model	Year	MG	SG	Illustration	Restrictions	Update	18:35	24.08.2006	PORSCHE	PET	PORSCHE
987	07	4	03	403-05		203					

Pos	Part Number	Name	Remarks	Qty	Model	Pos	Part Number	Name	Remarks	Qty	Model
		FOC sand beige				(15)	997 347 804 11	steering wheel plain leather		1	I459/I249
		FOD palmgreen					FOK	black/grey			
		FOE sea blue					FOL	stone grey/stone grey			
		FOF terracotta					FOM	sand beige/sand beige			
		FOG cocoa					FON	palm-green/palm-green			
		FOH dark grey/natural					FOO	seeblue/grey			
		FOJ brown/natural					FOP	terrakotta/terrakotta			
(15)	997 347 804 04	steering wheel leather embossed		1	I436/I249		FOQ	cocoa/cocoa			
		FOA black					FOR	darkgrey natural/grey			
		FOB stone grey					FOS	brown nat./brown nat.			
		FOC sand beige				(15)	997 347 804 05	steering wheel plain leather multiple function		1	I431/481/480
		FOD palmgreen					FOK	black/grey			
		FOE sea blue					FOL	stone grey/stone grey			
		FOF terracotta					FOM	sand beige/sand beige			
		FOG cocoa					FON	palm-green/palm-green			
		FOH dark grey/natural					FOO	seeblue/grey			
		FOJ brown/natural					FOP	terrakotta/terrakotta			
(15)	997 347 804 01	steering wheel plain leather		1	I459/481/480		FOQ	cocoa/cocoa			
		FOK black/grey					FOR	darkgrey natural/grey			
		FOL stone grey/stone grey					FOS	brown nat./brown nat.			
		FOM sand beige/sand beige				(15)	997 347 804 06	steering wheel plain leather multiple function		1	I431/I249
		FON palm-green/palm-green					FOK	black/grey			
		FOO seeblue/grey					FOL	stone grey/stone grey			
		FOP terrakotta/terrakotta					FOM	sand beige/sand beige			
		FOQ cocoa/cocoa					FON	palm-green/palm-green			
		FOR darkgrey natural/grey					FOO	seeblue/grey			
		FOS brown nat./brown nat.					FOP	terrakotta/terrakotta			

Model	Year	MG	SG	Illustration	Restrictions	Update	18:35	24.08.2006	PORSCHE	PET	PORSCHE
987	07	4	03	403-05		203					

Pos	Part Number	Name	Remarks	Qty	Model	Pos	Part Number	Name	Remarks	Qty	Model
(15)	997 347 804 22	FOQ cocoa/cocoa		1	I451/481/480	(15)	997 347 804 33	FOL stone grey/stone grey		1	I452/I249
		FOR darkgrey natural/grey						FOM sand beige/sand beige			
		FOS brown nat./brown nat.						FON palm-green/palm-green			
		steering wheel						FOO seeblue/grey			
		multiple function						FOP terrakotta/terrakotta			
		wood						FOQ cocoa/cocoa			
		makassar						FOR darkgrey natural/grey			
		FOK black/grey						FOS brown nat./brown nat.			
		FOL stone grey/stone grey						steering wheel			
		FOM sand beige/sand beige						multiple function			
FON palm-green/palm-green		wood									
FOO seeblue/grey		sycamore wood									
FOP terrakotta/terrakotta		FOK black/grey									
FOQ cocoa/cocoa		FOL stone grey/stone grey									
FOR darkgrey natural/grey		FOM sand beige/sand beige									
FOS brown nat./brown nat.		FON palm-green/palm-green									
(15)	997 347 804 32	steering wheel		1	I451/I249	(15)	997 347 804 24	FOO seeblue/grey		1	I453/481/480
		multiple function						FOP terrakotta/terrakotta			
		wood						FOQ cocoa/cocoa			
		makassar						FOR darkgrey natural/grey			
		FOK black/grey						FOS brown nat./brown nat.			
		FOL stone grey/stone grey						steering wheel			
		FOM sand beige/sand beige						multiple function			
		FON palm-green/palm-green						carbon			
		FOO seeblue/grey						FOK black/grey			
		FOP terrakotta/terrakotta						FOL stone grey/stone grey			
FOQ cocoa/cocoa		FOM sand beige/sand beige									
FOR darkgrey natural/grey		FON palm-green/palm-green									
FOS brown nat./brown nat.		FOO seeblue/grey									
(15)	997 347 804 23	steering wheel		1	I452/481/480	(15)		FOP terrakotta/terrakotta			
		multiple function						FOQ cocoa/cocoa			
		wood						FOR darkgrey natural/grey			
		sycamore wood									
FOK black/grey											

Model	Year	MG	SG	Illustration	Restrictions	Update	18:35	24.08.2006	PORSCHE	PET	PORSCHE
987	07	4	03	403-05		203					

Pos	Part Number	Name	Remarks	Qty	Model	Pos	Part Number	Name	Remarks	Qty	Model
(15)	997 347 804 34	FOS brown nat./brown nat. steering wheel multiple function carbon		1	I453/I249		J24	palmgreen			
		FOK black/grey					M24	terracotta			
		FOL stone grey/stone grey					R24	cocoa			
		FOM sand beige/sand beige				16	997 347 837 00	cover	/L	1	I480/I481
		FON palm-green/palm-green					V04	galvano silver			
		FOO seeblue/grey				(16)	997 347 838 00	cover	/R	1	I480/I481
		FOP terrakotta/terrakotta					V04	galvano silver			
		FOQ cocoa/cocoa				(16)	997 613 431 01	gearshift unit with tiptronic lever	/L 05	1	I249
		FOR darkgrey natural/grey					V04	galvano silver			
(15)	997 347 981 00	FOS brown nat./brown nat. steering wheel multiple function aluminium look		1	I480/IXPV	(16)	997 613 431 02	gearshift unit with tiptronic lever	/L 06-	1	I249
		A34 black					V04	galvano silver			
		B24 stone grey				(16)	997 613 432 01	gearshift unit with tiptronic lever	/R 05	1	I249
		D14 dark grey/natural					V04	galvano silver			
		E24 sea blue				(16)	997 613 432 02	gearshift unit with tiptronic lever	/R 06-	1	I249
		J24 palmgreen					V04	galvano silver			
		M24 terracotta				(16)	997 613 433 01	gearshift unit multiple function manual transmission	/L 05	1	I480/I481
		R24 cocoa					V04	galvano silver			
		T24 sand beige				(16)	997 613 433 02	gearshift unit multiple function manual transmission	/L 06-	1	I480/I481
		T34 brown/natural					V04	galvano silver			
(15)	997 347 981 01	steering wheel multiple function aluminium look		1	I432/IXPV	(16)	997 613 433 01	gearshift unit multiple function manual transmission	/L 05	1	I480/I481
		A34 black					V04	galvano silver			
		B24 stone grey				(16)	997 613 433 02	gearshift unit multiple function manual transmission	/L 06-	1	I480/I481
		D14 dark grey/natural					V04	galvano silver			
		E24 sea blue					V04	galvano silver			

Model	Year	MG	SG	Illustration	Restrictions	Update	18:35	24.08.2006	PORSCHE	PET	PORSCHE
987	07	4	03	403-05		203					

Pos	Part Number	Name	Remarks	Qty	Model	Pos	Part Number	Name	Remarks	Qty	Model
(16)	997 613 434 01	gearshift unit multiple function manual transmission	/R 05	1	I480/I481	22	N 910 207 01	screw M 18 X 1,5 X 26		1	
	V04	galvano silver				23	997 347 804 40	sports steering wheel leather embossed		1	I435/481/480
(16)	997 613 434 02	gearshift unit multiple function manual transmission	/R 06-	1	I480/I481		FOA	black			
	V04	galvano silver					FOB	stone grey			
(16)	997 613 435 01	gearshift unit multiple function with tiptronic lever	/L 05	1	I249		FOC	sand beige			
	V04	galvano silver					FOD	palmgreen			
							FOE	sea blue			
							FOF	terracotta			
(16)	997 613 435 02	gearshift unit multiple function with tiptronic lever	/L 06-	1	I249		FOG	cocoa			
	V04	galvano silver				(23)	997 347 804 50	sports steering wheel leather embossed		1	I435/I249
(16)	997 613 436 01	gearshift unit multiple function with tiptronic lever	/R 05	1	I249		FOA	black			
	V04	galvano silver					FOB	stone grey			
							FOC	sand beige			
(16)	997 613 436 02	gearshift unit multiple function with tiptronic lever	/R 06-	1	I249		FOD	palmgreen			
	V04	galvano silver					FOE	sea blue			
							FOF	terracotta			
							FOG	cocoa			
17	999 073 318 09	half-round screw M 4 X 10		2			FOH	dark grey/natural			
							FOJ	brown/natural			
18	997 613 445 01	electronic unit multiple function		1	I431/I451/ I452/I453	(23)	997 347 804 41	sports steering wheel plain leather		1	I460/481/480
19	997 347 880 00	retaining frame		1			FOK	black/grey			
20	999 141 022 09	round head screw M 5 X 12,5		4			FOL	stone grey/stone grey			
21	997 347 821 00	cover		1			FOM	sand beige/sand beige			
	D07	volcano grey					FON	palm-green/palm-green			

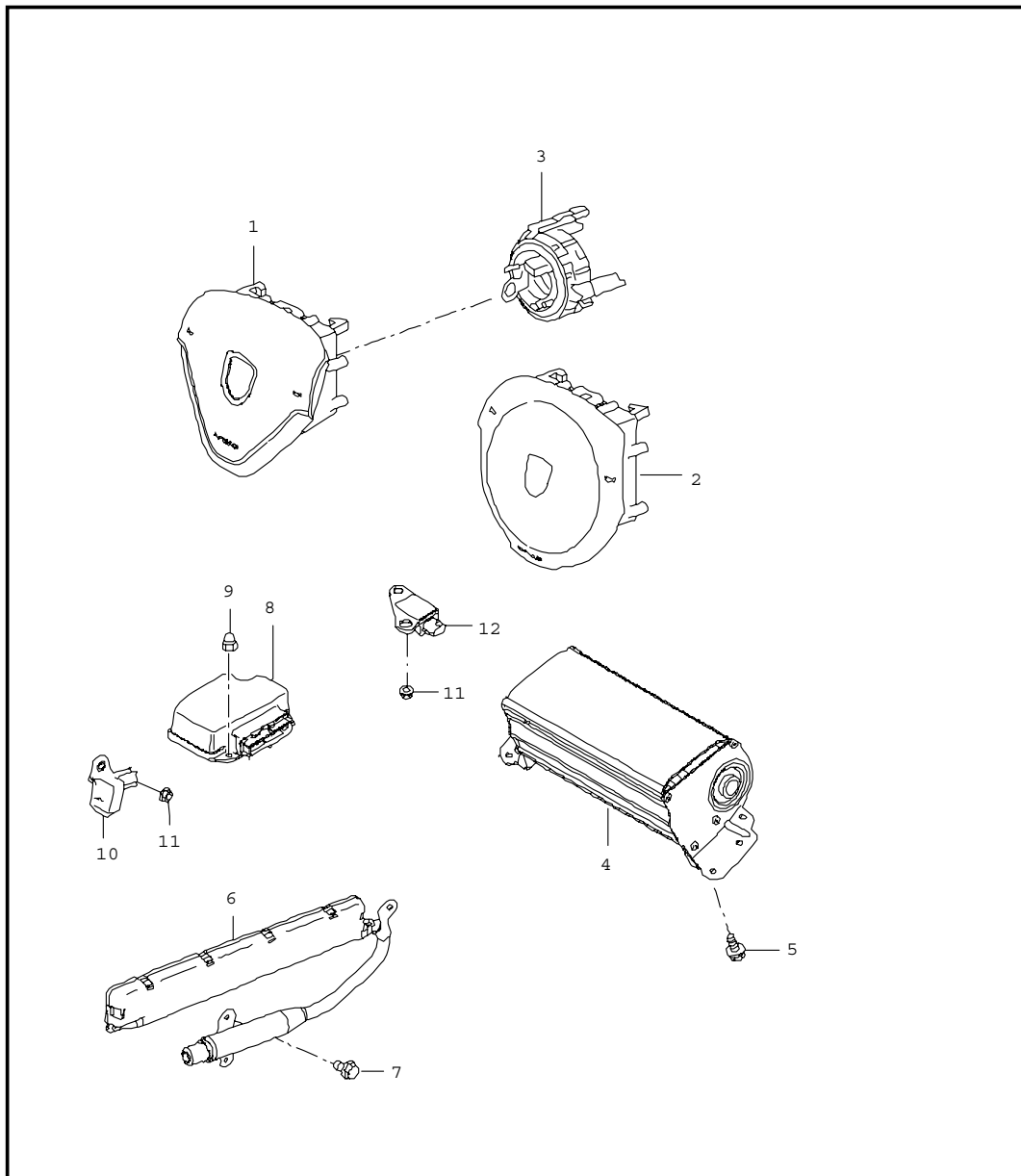
Model	Year	MG	SG	Illustration	Restrictions	Update	18:35	24.08.2006	PORSCHE	PET	PORSCHE
987	07	4	03	403-05		203					

Pos	Part Number	Name	Remarks	Qty	Model	Pos	Part Number	Name	Remarks	Qty	Model
		FOO seeblue/grey					D14	dark grey/natural			
		FOP terrakotta/terrakotta					E24	sea blue			
		FOQ cocoa/cocoa					J24	palmgreen			
		FOR darkgrey natural/grey					M24	terracotta			
		FOS brown nat./brown nat.					R24	cocoa			
(23)	997 347 804 51	sports steering wheel plain leather		1	I460/I249		T24	sand beige			
		FOK black/grey					T34	brown/natural			
		FOL stone grey/stone grey				24	997 347 837 40	cover	/L	1	I480/I481
		FOM sand beige/sand beige					V04	galvano silver			
		FON palm-green/palm-green				(24)	997 347 838 40	cover	/R	1	I480/I481
		FOO seeblue/grey					V04	galvano silver			
		FOP terrakotta/terrakotta				(24)	997 613 437 00	gearshift unit with tiptronic lever	/L 05	1	I249
		FOQ cocoa/cocoa					V04	galvano silver			
		FOR darkgrey natural/grey				(24)	997 613 437 02	gearshift unit with tiptronic lever	/L 06-	1	I249
(23)	997 347 980 00	sports steering wheel leather		1	I480/IXPA		V04	galvano silver			
		A34 black				(24)	997 613 438 00	gearshift unit with tiptronic lever	/R 05	1	I249
		B24 stone grey					V04	galvano silver			
		D14 dark grey/natural				(24)	997 613 438 02	gearshift unit with tiptronic lever	/R 06-	1	I249
		E24 sea blue					V04	galvano silver			
		J24 palmgreen									
		M24 terracotta									
		R24 cocoa									
		T24 sand beige									
		T34 brown/natural									
(23)	997 347 980 01	sports steering wheel leather		1	I432/IXPA	25	997 347 821 40	cover		1	
		A34 black					V04	galvano silver			
		B24 stone grey									

Model	Year	MG	SG	Illustration	Restrictions	Update	18:35	24.08.2006	PORSCHE	PET	PORSCHE
987	07	4	03	403-05		203					

Pos	Part Number	Name	Remarks	Qty	Model	Pos	Part Number	Name	Remarks	Qty	Model
26	997 612 672 00	wiring harness 3-spoke steering wheel sports steering wheel without multiple function manual transmission		1	I480/I481						
27	997 612 674 00	wiring harness 3-spoke steering wheel sports steering wheel without multiple function tiptronic		1	I249						
28	997 612 673 00	wiring harness 3-spoke steering wheel with multiple function manual transmission tiptronic		1	I431/I451/ I452/I453						
		- - - E N D - - -									

Model	Year	MG	SG	Illustration	Restrictions	Update	18:35	24.08.2006	PORSCHE	PET	PORSCHE
987	07	4	03	403-06		203					

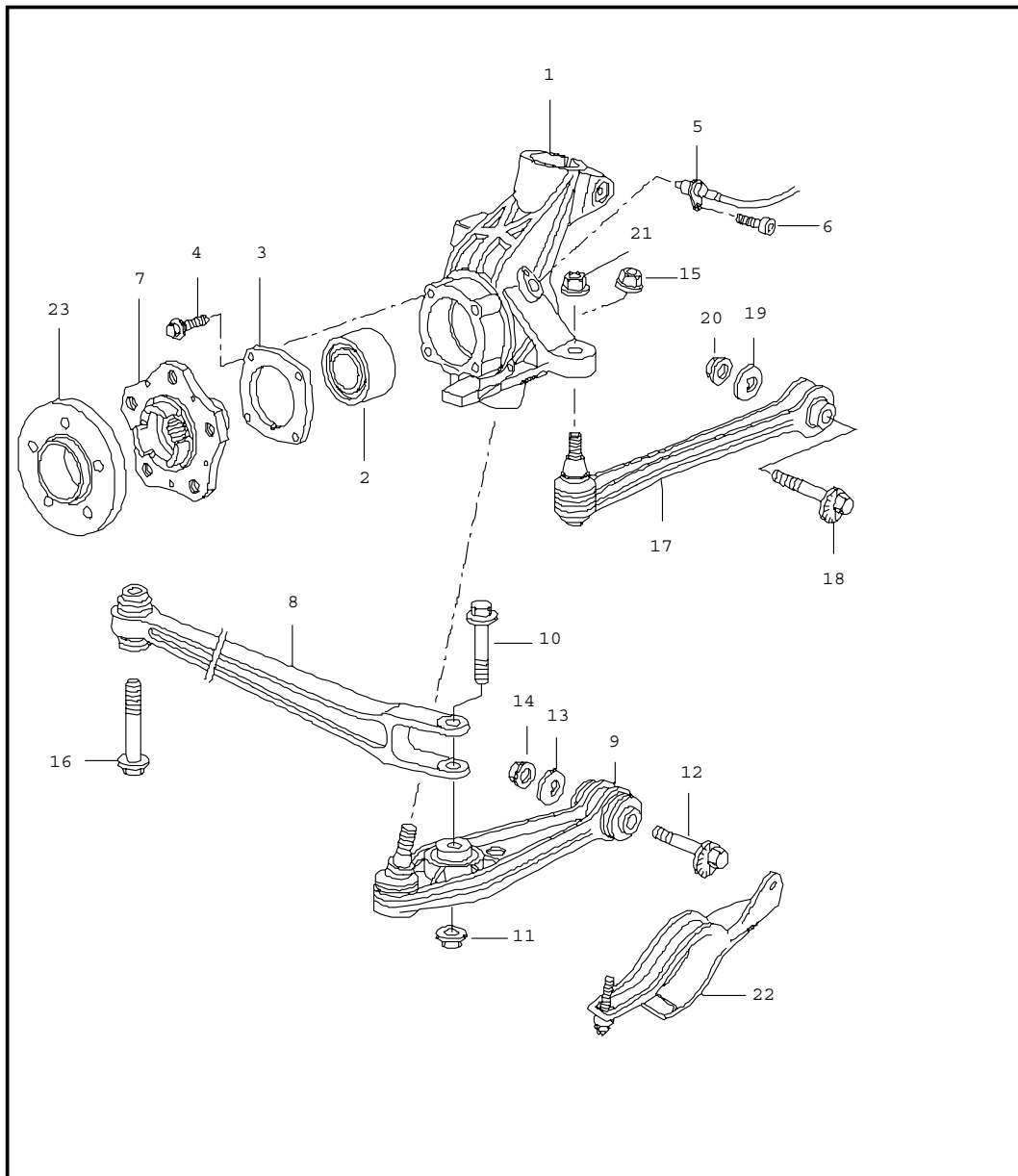


Pos	Part Number	Name	Remarks	Qty	Model
1	997 803 089 05	airbag airbag unit 3-spoke steering wheel plastic material emblem coloured		1	I436
	A32	black			
	B22	stone grey			
	T22	sand beige			
	E22	sea blue			
	J22	palmgreen			
	M22	terracotta			
	R32	cocoa			
	T32	brown/natural			
(1)	997 803 089 06	airbag unit 3-spoke steering wheel leather emblem coloured		1	I431/I451/ I452/I453/ I459/I991
	A34	black			
	B24	stone grey			
	T24	sand beige			
	E24	sea blue			
	J24	palmgreen			
	M24	terracotta			
	R24	cocoa			
	D14	dark grey/natural			
	T34	brown/natural			
2	997 803 089 07	airbag unit sports steering wheel plastic material emblem coloured		1	I435
	A32	black			
	B22	stone grey			

Model	Year	MG	SG	Illustration	Restrictions	Update	18:35	24.08.2006	PORSCHE	PET	PORSCHE
987	07	4	03	403-06		203					

Pos	Part Number	Name	Remarks	Qty	Model	Pos	Part Number	Name	Remarks	Qty	Model
	T22	sand beige				(8)	997 618 217 07	control unit	06-	1	
	E22	sea blue				9	999 070 015 02	cap nut M 6		3	
	J22	palmgreen				10	997 618 221 00	sensor side airbag		2	
	M22	terracotta				11	999 084 629 09	hexagon nut M 6		8	
	R32	cocoa				12	997 618 223 00	acceleration sensor airbag front		2	
	T32	brown/natural						- - - E N D - - -			
(2)	997 803 089 08	airbag unit sports steering wheel leather emblem coloured		1	I460/I991						
	A34	black									
	B24	stone grey									
	T24	sand beige									
	E24	sea blue									
	J24	palmgreen									
	M24	terracotta									
	R24	cocoa									
	D14	dark grey/natural									
	T34	brown/natural									
3	955 652 211 11	spring with steering-angle sensor		1							
4	997 803 071 05	airbag unit passenger's side		1							
5	900 378 222 09	hexagon-head bolt M 6 X 16		4							
6	997 803 091 03	side airbag for head airbag	/L	1							
(6)	997 803 092 03	side airbag for head airbag	/R	1							
7	900 378 035 09	hexagon-head bolt M 6 X 16		6							
8	A 997 618 217 06	control unit	05	1							

Model	Year	MG	SG	Illustration	Restrictions	Update	18:35	24.08.2006	PORSCHE	PET	PORSCHE
987	07	5	01	501-00		203					

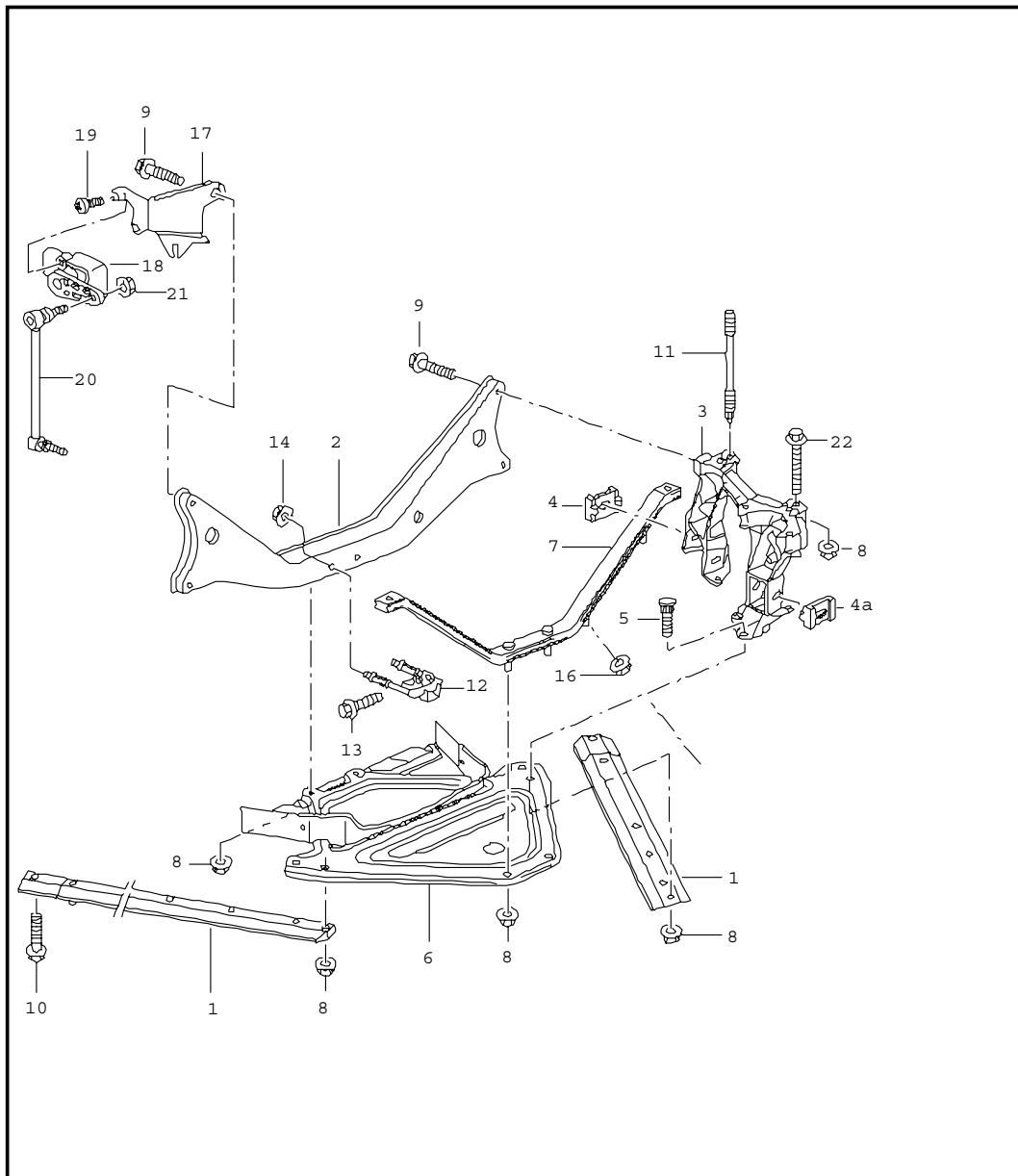


Pos	Part Number	Name	Remarks	Qty	Model
		rear axle wheel carrier control arm wheel hub			
1	987 331 157 05	wheel carrier	/L	1	
(1)	987 331 158 05	wheel carrier	/R	1	
2	999 053 054 05	angular-contact bearing		2	
(3)	986 331 661 20	cover		2	
4	999 217 042 09	hexagon-head bolt M 8 X 35		8	
(5)	997 606 407 01	speed sensor		2	
6	900 067 117 09	pan-head screw M 6 X 16		2	
7	997 341 605 01	wheel hub		2	
8	987 331 043 02	control arm		2	
(9)	996 341 053 17	control arm F >>986U7 03033 F >>986U7 22298		2	
(9)	997 331 053 01	control arm F 986U7 03034>> F 986U7 22299>>		2	
10	900 378 135 09	hexagon-head bolt M 14 X 1,5 X 75		2	
11	900 380 012 09	hexagon nut M 14 X 1,5		2	
(12)	996 331 217 03	eccentric screw M 12 X 100		2	
13	996 331 219 00	eccentric washer		2	
14	999 084 445 09	lock nut M 12 X 1,5		4	
15	999 084 449 09	hexagon nut M 12 X 1,5		2	
16	900 378 209 09	hexagon-head bolt M 14 X 1,5 X 90		2	
-	986 331 023 00	nut lock		2	
17 A	996 331 045 12	track rod	05	2	
(17)	997 331 045 04	track rod	06-	2	

Model	Year	MG	SG	Illustration	Restrictions	Update	18:35	24.08.2006	PORSCHE	PET	PORSCHE
987	07	5	01	501-00		203					

Pos	Part Number	Name	Remarks	Qty	Model	Pos	Part Number	Name	Remarks	Qty	Model
18	996 331 217 02	eccentric screw M 12 X 83		2							
19	996 331 219 00	eccentric washer		2							
20	999 084 445 09	lock nut M 12 X 1,5		2							
21	999 084 449 09	hexagon nut M 12 X 1,5		2							
22	987 331 371 02	support	/L	2	I601						
23	996 361 605 90	spacer ring 5 mm		2	IXRP						
		- - - E N D - - -									

Model	Year	MG	SG	Illustration	Restrictions	Update	18:35	24.08.2006	PORSCHE	PET	PORSCHE
987	07	5	01	501-01		203					

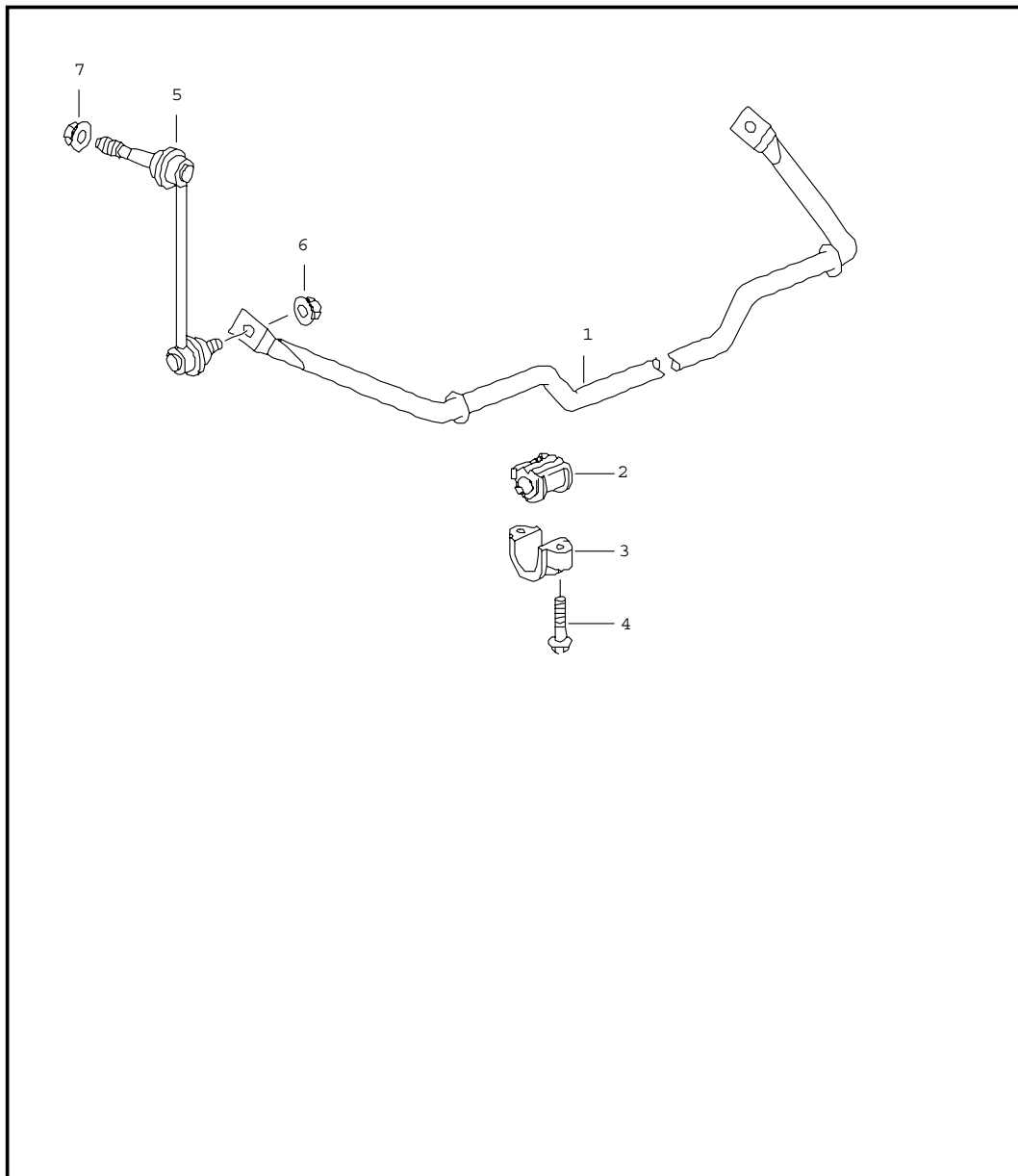


Pos	Part Number	Name	Remarks	Qty	Model
		rear axle side section bracket			
1	986 331 031 01	strut	/L	1	
1	986 331 032 01	strut	/R	1	
2	986 331 071 10	cross member		1	
3	987 331 051 04	side section	/L	1	
(3)	987 331 052 04	side section	/R	1	
4	986 331 351 01	clip		6	
5	999 080 031 09	fastening screw		8	
6	987 331 161 02	bracket		1	I481
(6)	987 331 161 01	bracket		1	I249
(6)	987 331 161 00	bracket		1	I480
-	986 331 361 03	spoiler		2	
-	999 507 774 40	push button A 3,9		2	
-	999 507 775 40	push button B 3,9		2	
7	986 331 093 03	strut		1	
-	999 072 032 09	hexagon-head bolt M 10 X 75 POS.7 threaded joint body		2	
8	999 076 053 09	hexagon nut M 10		14	
(9)	999 072 037 09	hexagon-head bolt M 10 X 45		4	
-	999 076 058 09	nut M 10 - 10 -26A1 in side section		8	
10	999 072 031 09	hexagon-head bolt M 10 X 45		2	
11	999 061 108 09	stud M 10 X 119		4	
12	986 331 181 01	restraining cable		1	

Model	Year	MG	SG	Illustration	Restrictions	Update	18:35	24.08.2006	PORSCHE	PET	PORSCHE
987	07	5	01	501-01		203					

Pos	Part Number	Name	Remarks	Qty	Model	Pos	Part Number	Name	Remarks	Qty	Model
13	900 378 107 09	hexagon-head bolt M 8 X 45		1							
14	900 380 005 09	hexagon nut M 8		2							
17	987 331 611 01	support		1	I601						
18	997 631 121 00	sensor		1	I601						
19	N 014 129 12	oval-head screw M 5 X 10		2	I601						
20	987 331 375 00	strut		1	I601						
21	900 380 015 09	hexagon nut VM 6		2	I601						
22	999 217 165 09	hexagon-head bolt M 10 X 80		2							
		- - - E N D - - -									

Model	Year	MG	SG	Illustration	Restrictions	Update	18:35	24.08.2006	PORSCHE	PET	PORSCHE
987	07	5	01	501-03		203					

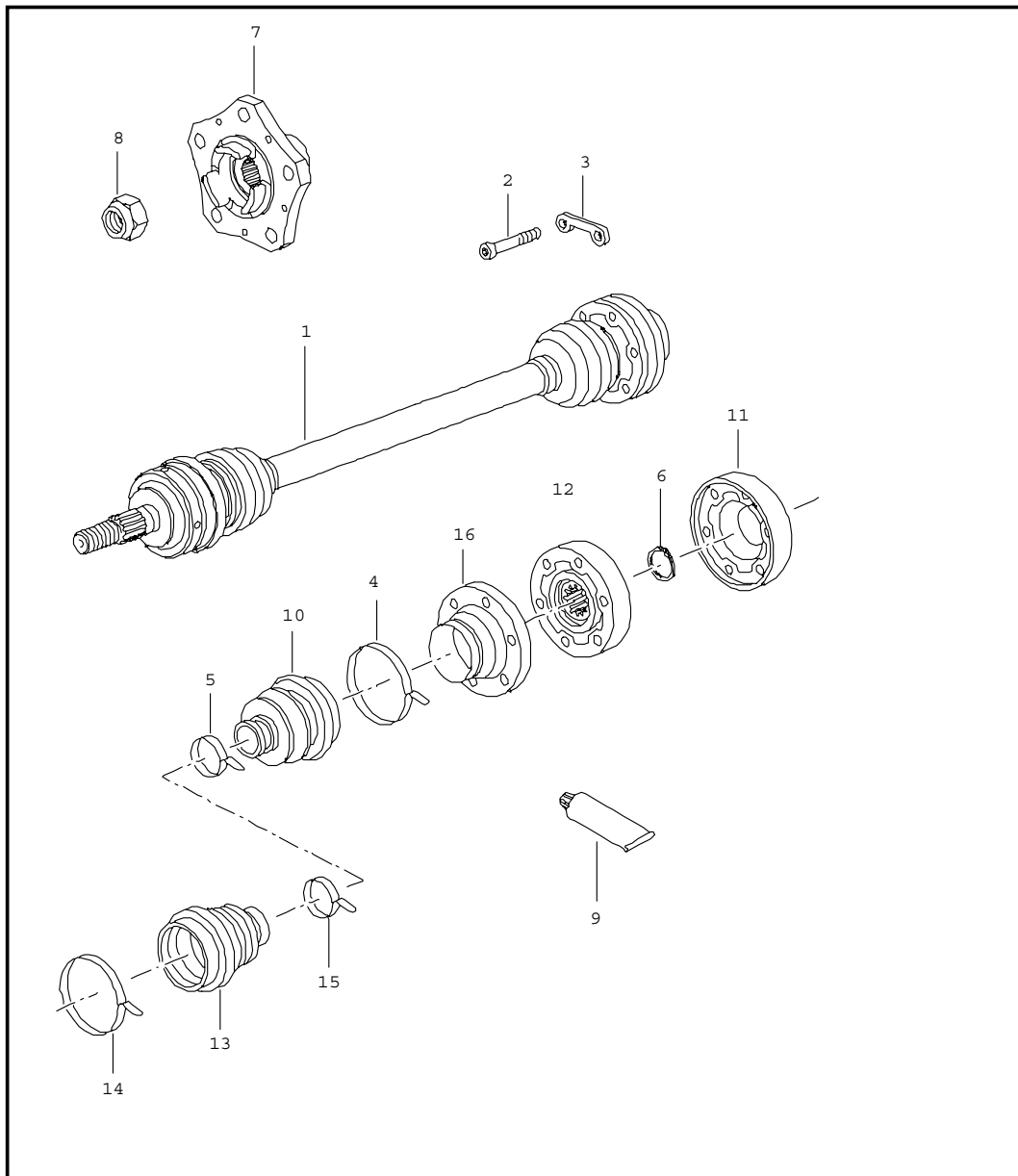


Pos	Part Number	Name	Remarks	Qty	Model
		stabiliser			
1	A 987 333 701 01	stabiliser		1	I029
(1)	987 333 701 04	stabiliser		1	I029
(1)	A 987 333 701 02	stabiliser		1	I475
(1)	987 333 701 05	stabiliser		1	I475
2	996 333 792 28	stabiliser mounting		2	I029
(2)	996 333 792 25	stabiliser mounting		2	I475
3	996 333 777 01	clamp		2	
4	900 378 055 09	hexagon-head bolt AM 8 X 40		4	
5	997 343 069 00	stabiliser mounting see technical manual group 4 NR.429019	/L	1	
(5)	997 343 069 01	stabiliser mounting see technical manual group 4 NR.429019	/L	1	
(5)	997 343 070 00	stabiliser mounting see technical manual group 4 NR.429019	/R	1	
(5)	997 343 070 01	stabiliser mounting see technical manual group 4 NR.429019	/R	1	
6	999 084 643 09	hexagon nut M 10 see technical manual group 4 NR.429019		2	
(6)	999 084 123 09	hexagon nut M 10 see technical manual group 4 NR.429019		2	
7	999 084 445 09	lock nut M 12 see technical manual group 4 NR.429019		2	

Model	Year	MG	SG	Illustration	Restrictions	Update					
987	07	5	01	501-03		203	18:35	24.08.2006	PORSCHE	PET	PORSCHE

Pos	Part Number	Name	Remarks	Qty	Model	Pos	Part Number	Name	Remarks	Qty	Model
(7)	999 084 123 09	hexagon nut M 10 see technical manual group 4 NR.429019 - - - E N D - - -		2							

Model	Year	MG	SG	Illustration	Restrictions	Update	18:36	24.08.2006	PORSCHE	PET	PORSCHE
987	07	5	01	501-05		203					

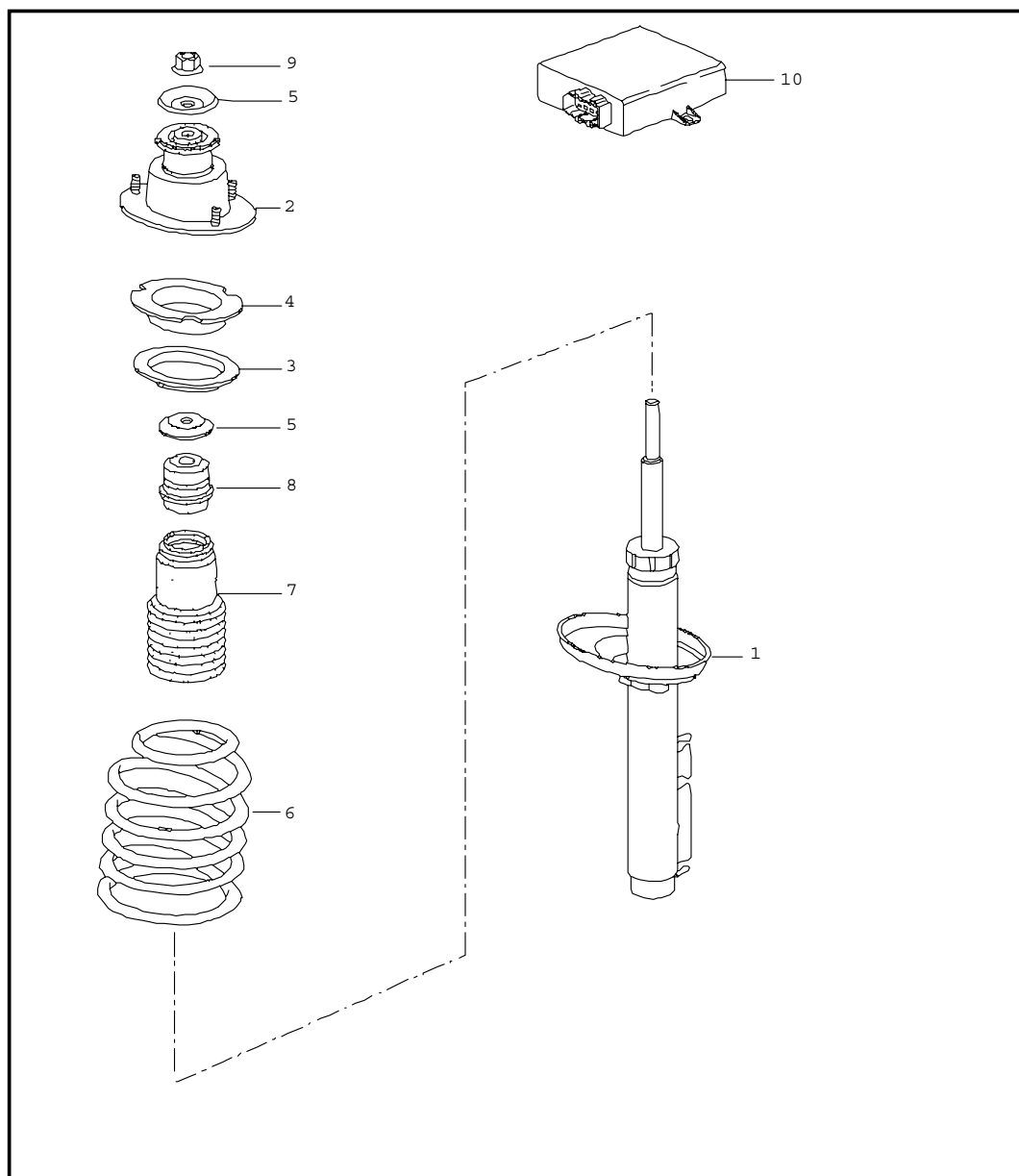


Pos	Part Number	Name	Remarks	Qty	Model
1	987 332 024 05	drive shaft	/L	2	BOXSTER I481
(1)	987 332 024 04	drive shaft	/R	1	BOXSTER I481
(1)	987 332 024 23	drive shaft	/L	1	I480
(1)	987 332 024 24	drive shaft	/R	1	I480
(1)	987 332 024 06	drive shaft		2	BOXSTER I249
(1)	987 332 024 25	drive shaft		2	BOXSTER-S I249
2	N 909 417 01	pan-head screw M 10 X 45		12	BOXSTER I481
(2)	900 067 229 09	pan-head screw M 10 X 48,4		12	I480
(2)	986 332 190 00	pan-head screw M 8 X 44		X	BOXSTER I249
(2)	N 909 417 01	pan-head screw m 10 x 45		X	BOXSTER I249
(2)	900 067 298 09	pan-head screw M 10 X 46,5		12	BOXSTER-S I249
3	986 332 191 00	plate		6	BOXSTER
(3)	996 332 191 00	plate		6	BOXSTER-S
4	996 332 957 00	clip 73 MM		2	
5	911 332 257 00	clip 34 MM		2	
6	900 041 014 00	circlip		2	
7	997 341 605 01	wheel hub		2	
8	999 084 641 02	lock nut		2	
9	000 043 110 01	grease 1 tube 100 g		X	
(9)	000 043 205 36	sealing compound 1 tube 100 g		X	
10	996 332 293 00	dust bellows		2	

Model	Year	MG	SG	Illustration	Restrictions	Update	18:36	24.08.2006	PORSCHE	PET	PORSCHE
987	07	5	01	501-05		203					

Pos	Part Number	Name	Remarks	Qty	Model	Pos	Part Number	Name	Remarks	Qty	Model
11	986 332 267 00	cover		2	BOXSTER						
(11)	928 332 267 01	cover		2	BOXSTER-S						
12	986 332 030 00	joint		2	BOXSTER						
(12)	996 332 030 00	joint		2	BOXSTER-S						
13	996 332 293 00	dust bellows		2							
14	996 332 957 00	clip		2							
15	911 332 257 00	clip		2							
16	986 332 259 00	support		2	BOXSTER						
(16)	996 332 259 00	support		2	BOXSTER-S						
		- - - E N D - - -									

Model	Year	MG	SG	Illustration	Restrictions	Update	18:36	24.08.2006	PORSCHE	PET	PORSCHE
987	07	5	02	502-00		203					



Pos	Part Number	Name	Remarks	Qty	Model
1	987 333 051 04	shock absorber coil spring		2	I029
(1) A	987 333 053 07	vibration damper - bilstein -		2	I475/I481
(1)	987 333 053 12	vibration damper - bilstein -		2	I475/I480
(1) A	987 333 053 08	vibration damper - bilstein -		2	I475/I481
(1) A	987 333 053 14	vibration damper - bilstein -		2	I475/I249
(1)	987 333 053 17	vibration damper - bilstein -		2	I475/I480
-	900 380 005 09	mount shock absorber		6	
-	999 084 445 09	hexagon nut M 8		2	
(2)	986 333 059 06	lock nut M 12 X 1,5		2	
-	999 703 543 40	supporting mount		2	
3	986 333 504 02	cover supporting mount		2	
(3)	986 333 504 02	compensating plate 3,0 MM		X	
(3)	986 333 504 03	compensating plate 6,0 MM		X	
4	986 333 509 02	ring		2	
5	997 343 107 01	stop plate		4	I029
(5)	997 343 107 00	stop plate upper		2	I475
(5)	997 343 107 01	stop plate lower		2	I475
6	987 333 531 19	coil spring 1 set		1	BOXSTER I029/I481

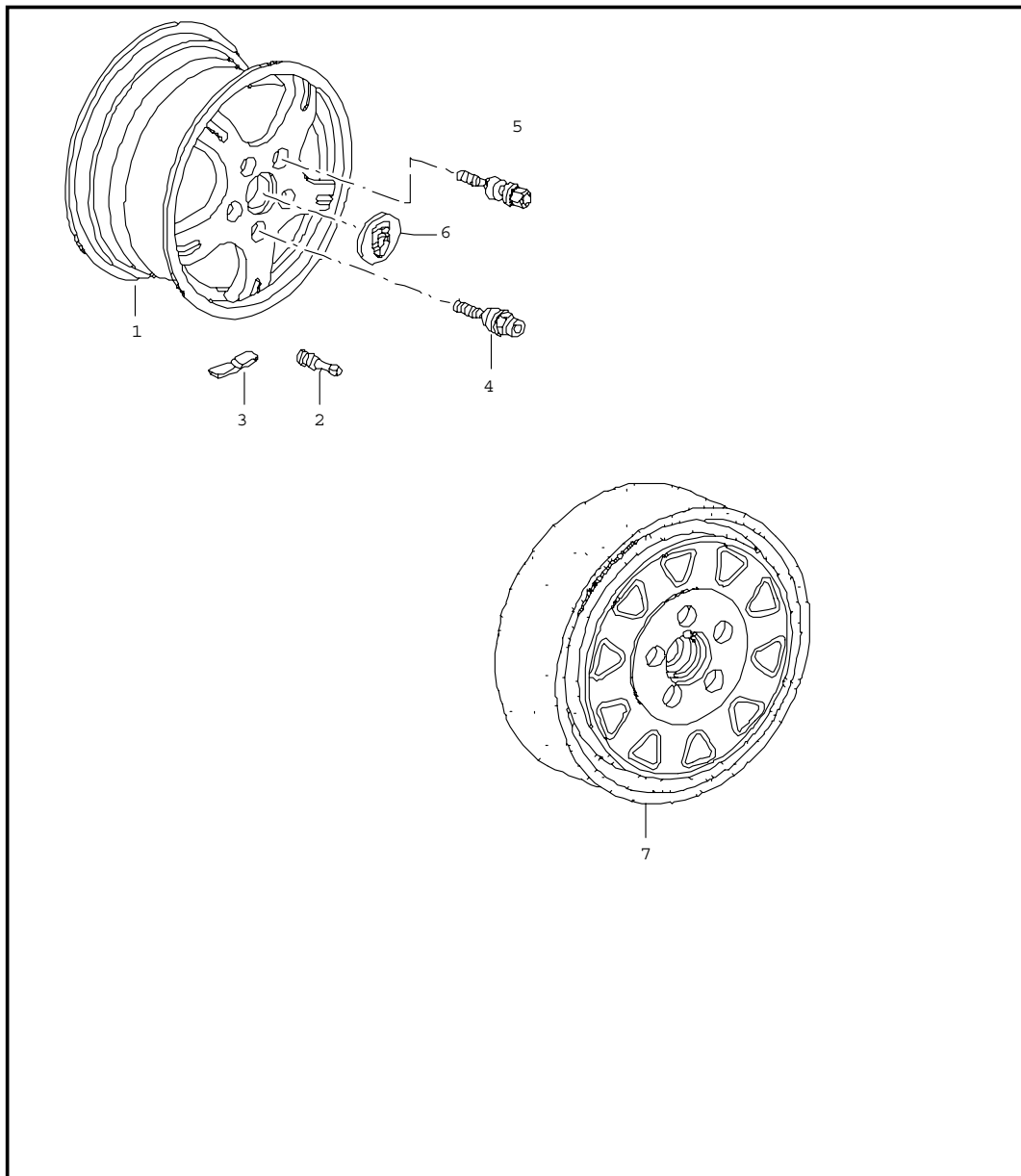
Model	Year	MG	SG	Illustration	Restrictions	Update	18:36	24.08.2006	PORSCHE	PET	PORSCHE
987	07	5	02	502-00		203					

Pos	Part Number	Name	Remarks	Qty	Model	Pos	Part Number	Name	Remarks	Qty	Model
	504	marked rapeseed yellow white F >>985S7 00096 F >>985U7 00086 F >>985U7 01696					504	marked rapeseed yellow violet F 985S7 00097>> F 985U7 00087>> F 985U7 01697>>			
(6)	987 333 531 53	coil spring 1 set		1	BOXSTER I029/I481	(6)	987 333 531 20	coil spring 1 set		1	BOXSTER-S I029/I480
	504	marked rapeseed yellow white F 985S7 00097>> F 985U7 00087>> F 985U7 01697>>					504	marked rapeseed yellow red F >>985S7 20067 F >>985S7 20071			
(6)	987 333 531 19	coil spring 1 set		1	BOXSTER I029/I480	(6)	987 333 531 49	coil spring 1 set		1	BOXSTER-S I029/I480
	504	marked rapeseed yellow white F >>985S7 00096 F >>985U7 00086 F >>985U7 01696					504	marked rapeseed yellow red F 985S7 20068>> F 985S7 20072>>			
(6)	987 333 531 53	coil spring 1 set		1	BOXSTER I029/I480	(6)	987 333 531 22	coil spring 1 set		1	BOXSTER-S I029/I249
	504	marked rapeseed yellow white F 985S7 00097>> F 985U7 00087>> F 985U7 01697>>					504	marked rapeseed yellow green F >>985S7 20067 F >>985S7 20071			
(6)	987 333 531 27	coil spring 1 set		1	BOXSTER I029/I249	(6)	987 333 531 50	coil spring 1 set		1	BOXSTER-S I029/I249
	504	marked rapeseed yellow violet F >>985S7 00096 F >>985U7 00086 F >>985U7 01696					504	marked rapeseed yellow green F 985S7 20068>> F 985S7 20072>>			
(6)	987 333 531 48	coil spring 1 set		1	BOXSTER I029/I249	(6)	987 333 531 29	coil spring 1 set		1	I475/I481
							504	marked silver violet F >>985S7 00086 F >>985S7 00096 F >>985U7 01696			
(6)	987 333 531 51	coil spring 1 set		1	I475/I481						

Model	Year	MG	SG	Illustration	Restrictions	Update	18:36	24.08.2006	PORSCHE	PET	PORSCHE
987	07	5	02	502-00		203					

Pos	Part Number	Name	Remarks	Qty	Model	Pos	Part Number	Name	Remarks	Qty	Model
	504	marked silver violet F 985S7 00087>> F 985S7 00097>> F 985U7 01697>>				7	986 333 505 01	bellows		1	
						8	986 333 301 01	additional spring		1	
						9	900 380 012 09	hexagon nut M 14 X 1,5		2	I029
(6)	987 333 531 29	coil spring 1 set		1	I475/I480	(9)	999 084 645 09	hexagon nut M 14 X 1,5		2	I475
	504	marked silver violet F >>985S7 00086 F >>985S7 00096 F >>985U7 01696 F >>985S7 20067 F >>985S7 20071 F >>985U7 21761				10	987 618 105 05	control unit	05	1	I475
						(10)	987 618 105 09	control unit	06-	1	I475
						-	997 618 205 00	support for control unit		1	I475
						-	997 606 111 01	acceleration sensor body		1	I475
(6)	987 333 531 51	coil spring 1 set		1	I475/I480	-	987 606 214 01	support for acceleration sensor		1	I475
	504	marked silver violet F 985S7 00087>> F 985S7 00097>> F 985U7 01697>> F 985S7 20068>> F 985S7 20072>> F 985U7 21762>>							- - - E N D - - -		
(6)	987 333 531 30	coil spring 1 set		1	I475/I249						
	504	marked pink red F >>985S7 00086 F >>985S7 00096 F >>985U7 01696 F >>985S7 20067 F >>985S7 20071 F >>985U7 21761									
(6)	987 333 531 52	coil spring 1 set		1	I475/I249						
	504	marked pink red F 985S7 00087>> F 985S7 00097>> F 985U7 01697>> F 985S7 20068>> F 985S7 20072>> F 985U7 21762>>									

Model	Year	MG	SG	Illustration	Restrictions	Update	18:36	24.08.2006	PORSCHE	PET	PORSCHE
987	07	6	01	601-00		203					



Pos	Part Number	Name	Remarks	Qty	Model
		wheels			
1	987 362 122 05	disc wheel 6,5 J X 17 ET 55	/V	2	I393
(1)	987 362 136 00	disc wheel 8 J X 18 ET 57	/V	2	I397
(1)	987 362 122 06	disc wheel 6,5 J X 17 ET 55	/V	2	I398
(1)	987 362 136 01	disc wheel 8 J X 18 ET 57	/V	2	I401
(1)	997 362 156 01	disc wheel S+M 8 J X 19 ET 57	/V	2	I403
(1)	997 362 156 00	disc wheel BBS 8 J x 19 Et 57	/V	2	I403
(1)	997 362 156 02	disc wheel 8 J x 19 Et 57	/V 07-	2	I404
(1)	997 362 156 03	disc wheel 8 J X 19 ET 57	/V	2	I405
(1)	997 362 156 04	disc wheel 8 J X 19 ET 57	/V	2	I407
(1)	997 362 156 55	disc wheel 8.5 J x 19 Et 55	/V	2	IXRR
(1)	987 362 126 00	disc wheel 8 J X 17 ET 40	/H	2	I393
(1)	987 362 138 00	disc wheel 9 J X 18 ET 43	/H	2	I397
(1)	987 362 126 01	disc wheel 8 J X 17 ET 40	/H	2	I398

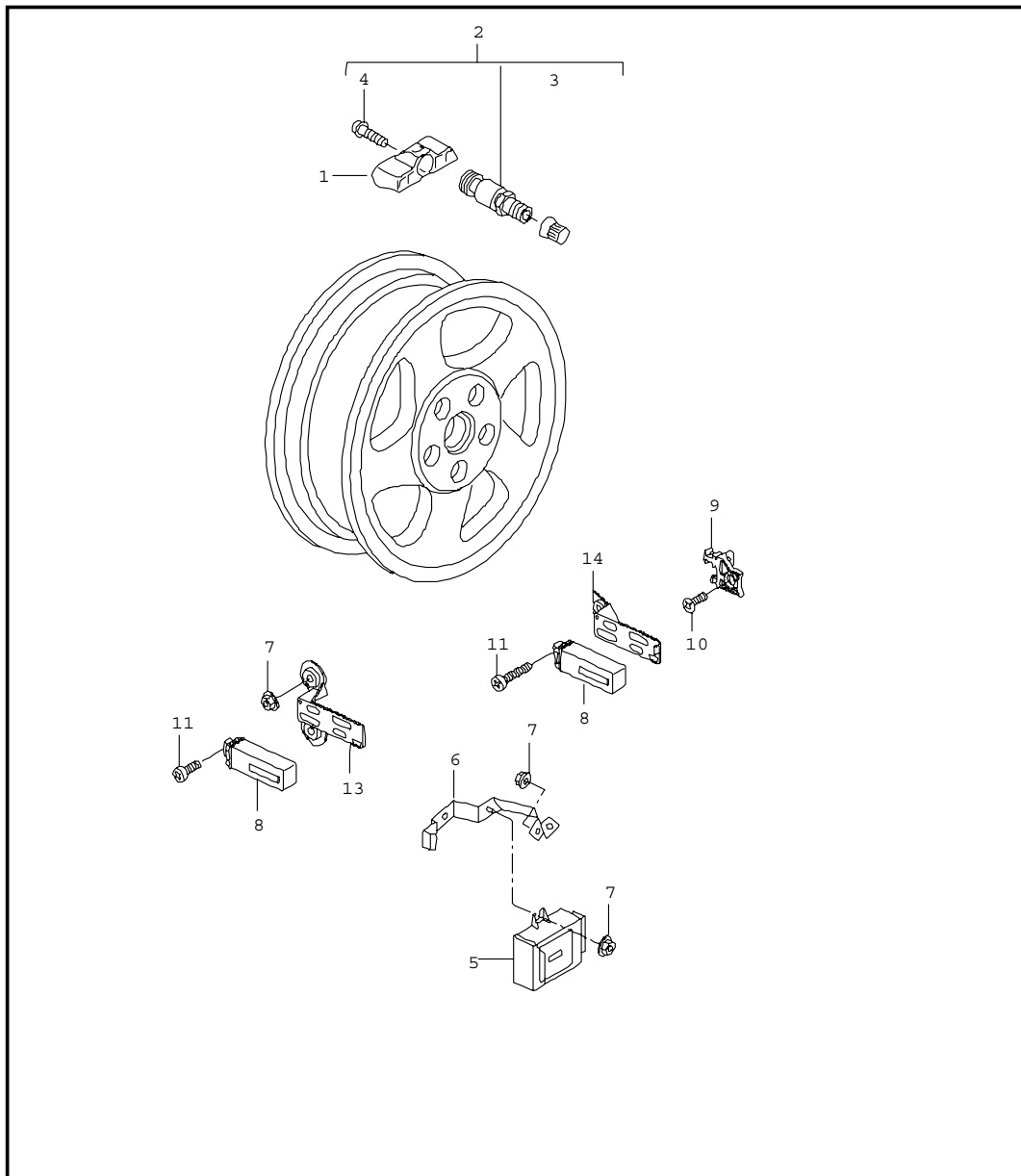
Model	Year	MG	SG	Illustration	Restrictions	Update	18:36	24.08.2006	PORSCHE	PET	PORSCHE
987	07	6	01	601-00		203					

Pos	Part Number	Name	Remarks	Qty	Model	Pos	Part Number	Name	Remarks	Qty	Model
(1)	987 362 138 01	disc wheel 9 J X 18 ET 43	/H	2	I401	(3)	1K0 601 184 C	balance stick-on weight 30 G.	05	X	
(1)	997 362 158 05	disc wheel 9,5 J X 19 ET 46	/H	2	I403	(3)	997 361 430 00	balance stick-on weight 30 G.	06-	X	
(1)	997 362 158 08	disc wheel 9,5 J x 19 ET 46	/H 07-	2	I404	(3)	1K0 601 185 C	balance stick-on weight 35 G.	05	X	
(1)	997 362 158 06	disc wheel 9,5 J X 19 ET 46	/H	2	I405	(3)	997 361 435 00	balance stick-on weight 35 G.	06-	X	
(1)	997 362 158 07	disc wheel 9,5 J X 19 ET46	/H	2	I407	(3)	1K0 601 186 C	balance stick-on weight 40 G.	05	X	
(1)	997 362 160 50	disc wheel 10 J x 19 ET 42	/H	2	IXRR	(3)	997 361 440 00	balance stick-on weight 40 G.	06-	X	
2	900 265 001 50	rubber valve rubber		4		(3)	1K0 601 187 C	balance stick-on weight 45 G.	05	X	
3	1K0 601 178 C	balance stick-on weight 5 G.	05	X		(3)	997 361 445 00	balance stick-on weight 45 G.	06-	X	
(3)	997 361 405 00	balance stick-on weight 5 G.	06-	X		(3)	1K0 601 188 C	balance stick-on weight 50 G.	05	X	
(3)	1K0 601 179 C	balance stick-on weight 10 G.	05	X		(3)	997 361 450 00	balance stick-on weight 50 G.	06-	X	
(3)	997 361 410 00	balance stick-on weight 10 G.	06-	X		(3)	1K0 601 189 C	balance stick-on weight 55 G.	05	X	
(3)	1K0 601 181 C	balance stick-on weight 15 G.	05	X		(3)	997 361 455 00	balance stick-on weight 55 G.	06-	X	
(3)	997 361 415 00	balance stick-on weight 15 G.	06-	X		(3)	1K0 601 190 C	balance stick-on weight 60 G.	05	X	
(3)	1K0 601 182 C	balance stick-on weight 20 G.	05	X		(3)	997 361 460 00	balance stick-on weight 60 G.	06-	X	
(3)	997 361 420 00	balance stick-on weight 20 G.	06-	X		(4)	996 361 057 02	set anti-theft protection 1 set		1	
(3)	1K0 601 183 C	balance stick-on weight 25 G.	05	X		(4)	997 361 057 00	set anti-theft protection 1 set		1	I444 (GB)
(3)	997 361 425 00	balance stick-on weight 25 G.	06-	X		(4)	997 361 980 00	set anti-theft protection 1 set		1	IXRP/I444 (GB)
						5	996 361 203 02	wheel bolt		X	
						(5)	996 361 980 00	wheel bolt		X	IXRP

Model	Year	MG	SG	Illustration	Restrictions	Update	18:36	24.08.2006	PORSCHE	PET	PORSCHE
987	07	6	01	601-00		203					

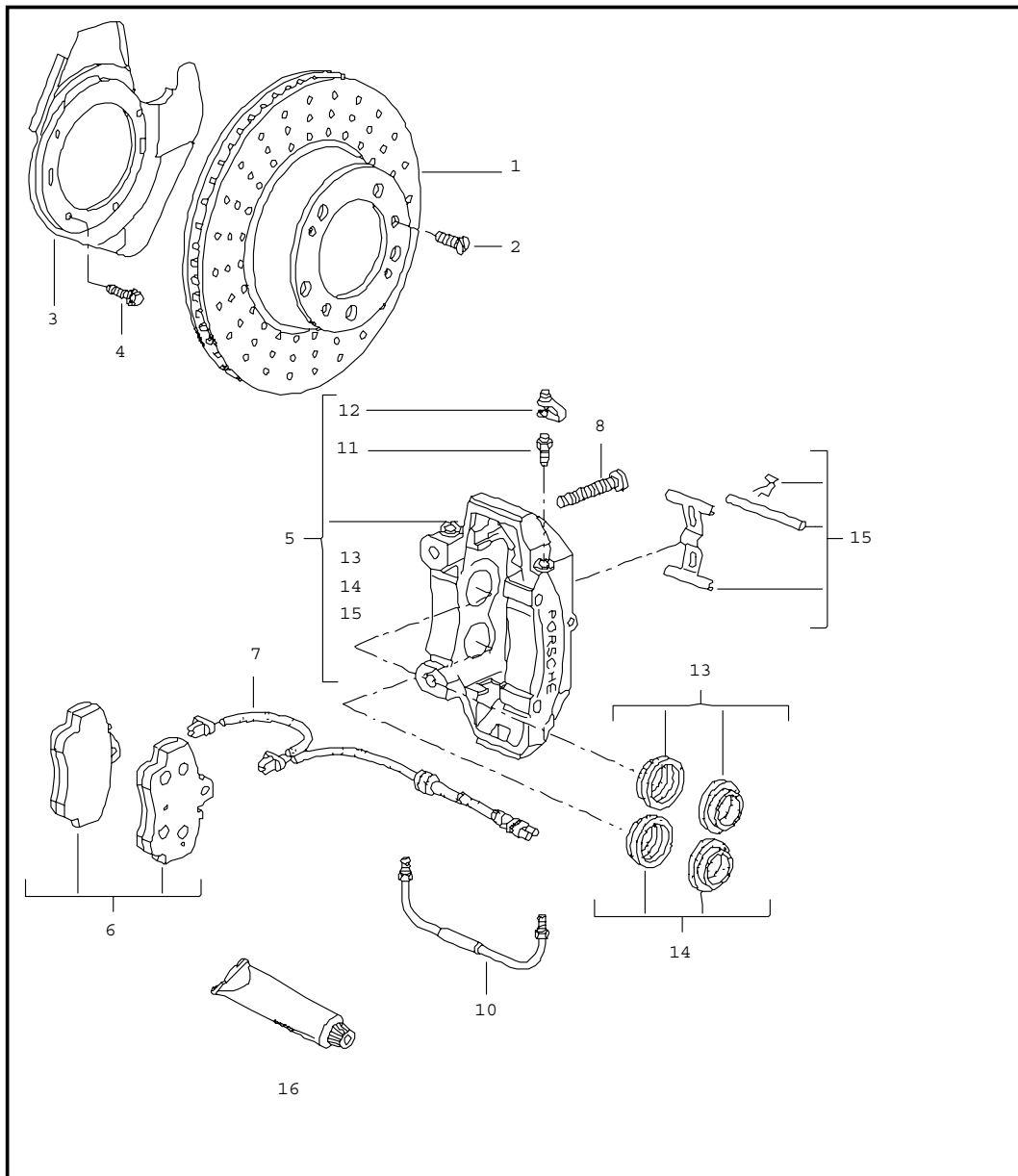
Pos	Part Number	Name	Remarks	Qty	Model	Pos	Part Number	Name	Remarks	Qty	Model
6	955 361 303 00	hub cap		4							
	9A1	silver									
(6)	955 361 303 05	hub cap		4	I446						
	9A1	silver									
(6)	997 361 303 01	hub cap emblem coloured silver		4	IXRR/I446						
(6)	997 361 305 00	hub cap	07-	4	I404						
-	955 722 631 00	compressed air bottle		1							
7	996 362 020 04	emergency wheel		1	I447						
-	996 361 411 00	belt for emergency wheel		1	I447						
-	996 361 521 00	boot for emergency wheel		1	I447						
-	999 914 001 40	plastic gloves		1	I447						
-	997 652 051 00	compressor for emergency wheel		1							
		- - - E N D - - -									

Model	Year	MG	SG	Illustration	Restrictions	Update	18:36	24.08.2006	PORSCHE	PET	PORSCHE
987	07	6	01	601-05		203					



Pos	Part Number	Name	Remarks	Qty	Model
		tyre pressure monit. sys.			I482/I483
1	997 606 021 00	sensor tyre pressure gauge use also: 955.361.053.00		4	I482
(1)	997 606 023 00	sensor tyre pressure gauge use also: 955.361.053.00		4	I483
(1)	997 606 025 00	sensor tyre pressure gauge use also: 955.361.053.00		4	I483 I074/I193
2	955 361 053 00	valve aluminium		4	
3	N 908 729 01	cap		4	
4	4D0 601 365	fastening screw		4	
5	997 618 103 06	control unit		1	
6	997 618 203 00	support control unit		1	
7	999 076 081 40	plastic nut T5 16 X 11, 2		7	
8	997 606 101 00	antenna 433 MHZ		4	I482
(8)	997 606 103 00	antenna 315 MHZ		4	I483
11	999 919 023 09	oval-head screw M 5 X 35		4	
13	997 606 141 00	support antenna front		2	
14	997 606 131 00	support antenna rear axle		2	
		- - - E N D - - -			

Model	Year	MG	SG	Illustration	Restrictions	Update	18:37	24.08.2006	PORSCHE	PET	PORSCHE
987	07	6	02	602-00		203					



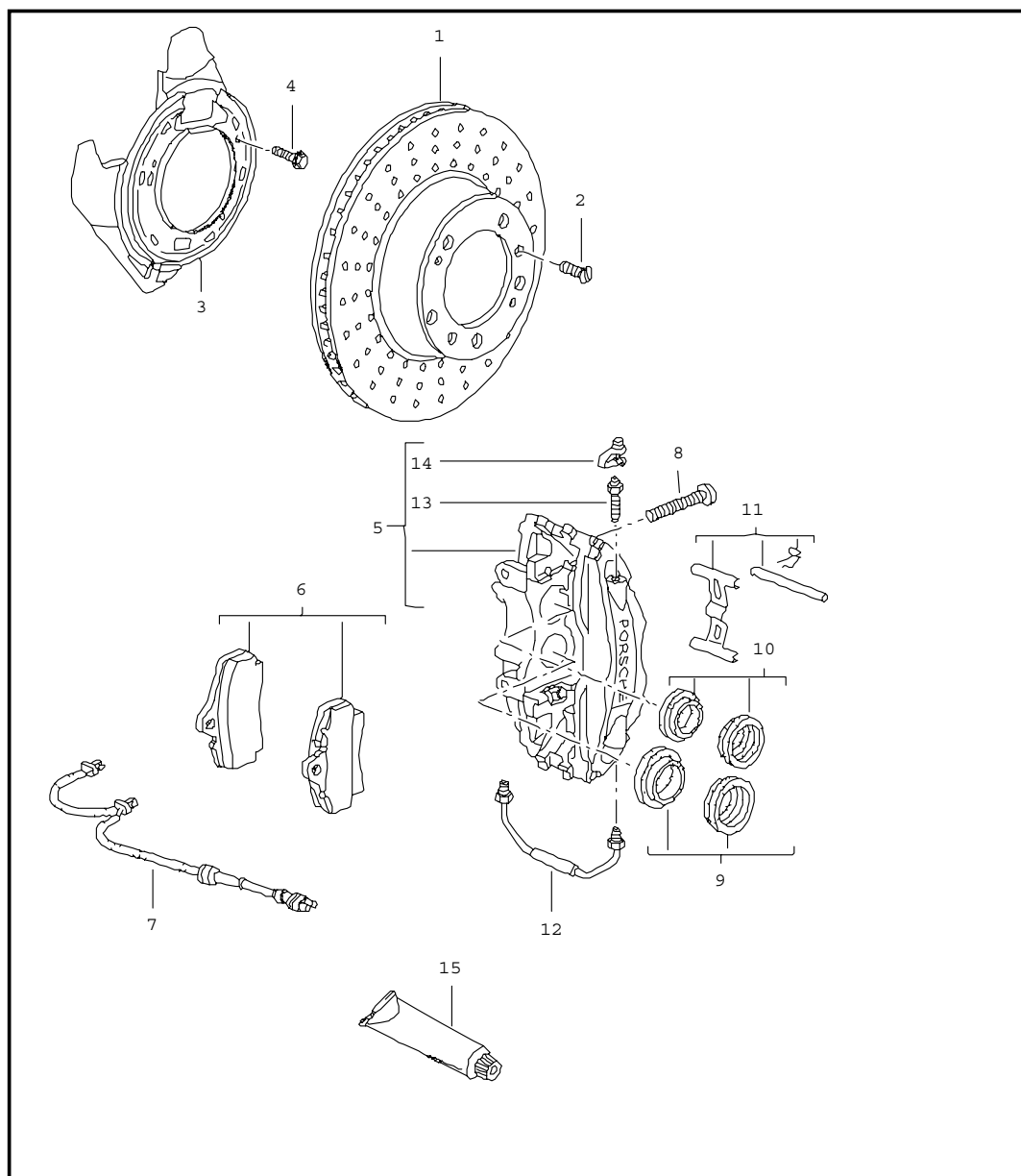
Pos	Part Number	Name	Remarks	Qty	Model
		disc brake front axle			
1	987 351 401 01	brake disc	/L	1	
(1)	996 351 405 01	brake disc	/L	1	BOXSTER-S
(1)	996 351 031 03	brake disc	/L	1	BOXSTER-S I450 I450
(1)	987 351 402 01	brake disc	/R	1	
(1)	996 351 406 01	brake disc	/R	1	BOXSTER-S
(1)	996 351 032 03	brake disc	/R	1	BOXSTER-S I450 I450
2	900 269 047 09	countersunk-head screw M 6 X 12		4	
(3)	997 351 801 02	cover plate	/L	1	
(3)	997 351 802 02	cover plate	/R	1	
(3)	997 351 805 05	cover plate	/L	1	I450
(3)	997 351 806 05	cover plate	/R	1	I450
4	999 217 116 09	hexagon-head bolt M 6 X 16		X	
5	986 351 421 03	fixed calliper without pad	/L	1	
(5)	996 351 425 11	fixed calliper without pad	/L	1	BOXSTER-S
(5)	996 351 431 30	fixed calliper without pad	/L	1	BOXSTER-S I450
(5)	986 351 422 03	fixed calliper without pad	/R	1	
(5)	996 351 426 11	fixed calliper without pad	/R	1	BOXSTER-S
(5)	996 351 432 30	fixed calliper without pad	/R	1	BOXSTER-S I450
(6) A	987 351 939 02	set of brake pads		1	BOXSTER
(6)	987 351 939 03	set of brake pads		1	BOXSTER
(6)	996 352 949 03	set of brake pads		1	BOXSTER-S

Model	Year	MG	SG	Illustration	Restrictions	Update	18:37	24.08.2006	PORSCHE	PET	PORSCHE
987	07	6	02	602-00		203					

Pos	Part Number	Name	Remarks	Qty	Model	Pos	Part Number	Name	Remarks	Qty	Model
(6)	996 351 947 01	set of brake pads see technical manual group 46 34 20 use also: mounting parts F >>986U7 22485		1	BOXSTER-S I450	(10)	996 351 961 30	connecting line		2	BOXSTER-S I450
						11	930 351 919 00	ventilation valve		2	
						12	930 351 927 00	dust boot		2	
(6)	997 351 948 00	set of brake pads see technical manual group 46 34 20 use also: mounting parts F 986U7 22486>>		1	BOXSTER-S I450	13	951 351 917 01	repair kit protection caps 40 MM \$		2	
						14	951 351 917 00	repair kit protection caps 36 MM \$		2	
-	987 351 088 00	damping plate		4	BOXSTER	13	996 351 915 01	repair kit protection caps 38 MM \$		2	BOXSTER-S I450
-	996 351 088 01	damping plate		4	BOXSTER-S	14	996 351 915 00	repair kit protection caps 32 MM \$		2	BOXSTER-S I450
-	996 352 086 01	damping plate see technical manual group 46 34 20 F >>986U7 22485		12	BOXSTER-S I450	15	996 352 959 01	repair kit mounting parts bolt expanding spring securing clip		1	
7	997 612 755 00	warning contact	/L	2	BOXSTER					2	
(7)	997 612 757 00	warning contact	/R	2	BOXSTER					2	
(7)	997 612 755 00	warning contact	/L	2	BOXSTER-S	(15)	996 351 959 01	repair kit mounting parts bolt expanding spring securing clip		1	BOXSTER-S
(7)	997 612 758 00	warning contact	/R	2	BOXSTER-S					2	
(7)	997 612 675 01	warning contact	/L	1	BOXSTER-S I450					2	
(7)	997 612 679 00	warning contact	/R	1	BOXSTER-S I450	(15)	996 351 959 30	repair kit mounting parts bolt expanding spring securing clip		1	BOXSTER-S I450
8	999 067 041 09	pan-head screw M 12 X 1,5 X 72		4		16	000 043 117 00	brake cylinder paste 50 G		X	
(8)	999 067 047 09	pan-head screw M 12 X 1,5 X 85		4	BOXSTER-S I450	(16)	000 043 020 00	optimoly 100 G		X	
-	944 612 627 00	holder for warning contact		2							
10	996 352 962 00	connecting line	/L	1							
(10)	996 352 961 00	connecting line	/R	1							
(10)	996 351 961 00	connecting line	/L	1	BOXSTER-S						
(10)	996 351 962 00	connecting line	/R	1	BOXSTER-S						

- - - E N D - - -

Model	Year	MG	SG	Illustration	Restrictions	Update			PORSCHE	PET	PORSCHE
987	07	6	03	603-00		203	18:37	24.08.2006			

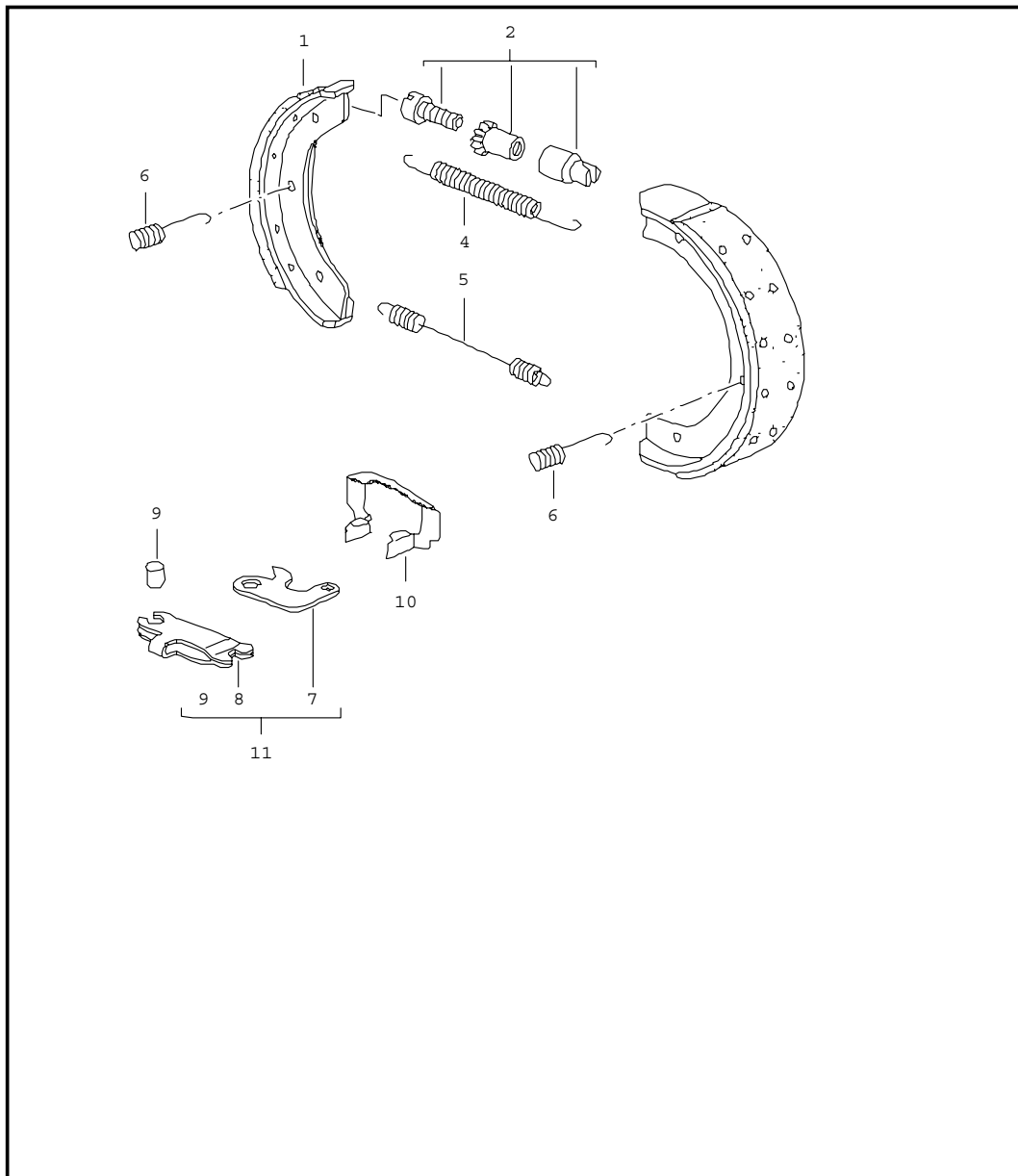


Pos	Part Number	Name	Remarks	Qty	Model
		disc brake rear axle			
1	987 352 401 01	brake disc		2	
(1)	987 352 403 00	brake disc		2	BOXSTER-S
(1)	987 352 031 00	brake disc	/L 05	1	BOXSTER-S I450
(1)	987 352 031 01	brake disc	/L 06-	1	BOXSTER-S I450
(1)	987 352 032 00	brake disc	/R 05	1	BOXSTER-S I450
(1)	987 352 032 01	brake disc	/R 06-	1	BOXSTER-S I450
2	900 269 047 09	countersunk-head screw M 6 X 12		4	
(2)	900 269 106 09	countersunk-head screw m 6 x 16		4	IXRP
3	987 352 801 00	protective plate		2	
4	999 217 116 09	hexagon-head bolt M 6 X 16		X	
5	986 352 423 01	fixed calliper without pad	/L	1	
(5)	996 352 421 13	fixed calliper without pad	/L	1	BOXSTER-S
(5)	996 352 423 30	fixed calliper without pad	/L	1	BOXSTER-S I450
(5)	986 352 424 01	fixed calliper without pad	/R	1	
(5)	996 352 422 13	fixed calliper without pad	/R	1	BOXSTER-S
(5)	996 352 424 30	fixed calliper without pad	/R	1	BOXSTER-S I450
6	987 352 939 00	set of brake pads		1	
(6)	986 352 939 10	set of brake pads		1	BOXSTER-S

Model	Year	MG	SG	Illustration	Restrictions	Update	18:37	24.08.2006	PORSCHE	PET	PORSCHE
987	07	6	03	603-00		203					

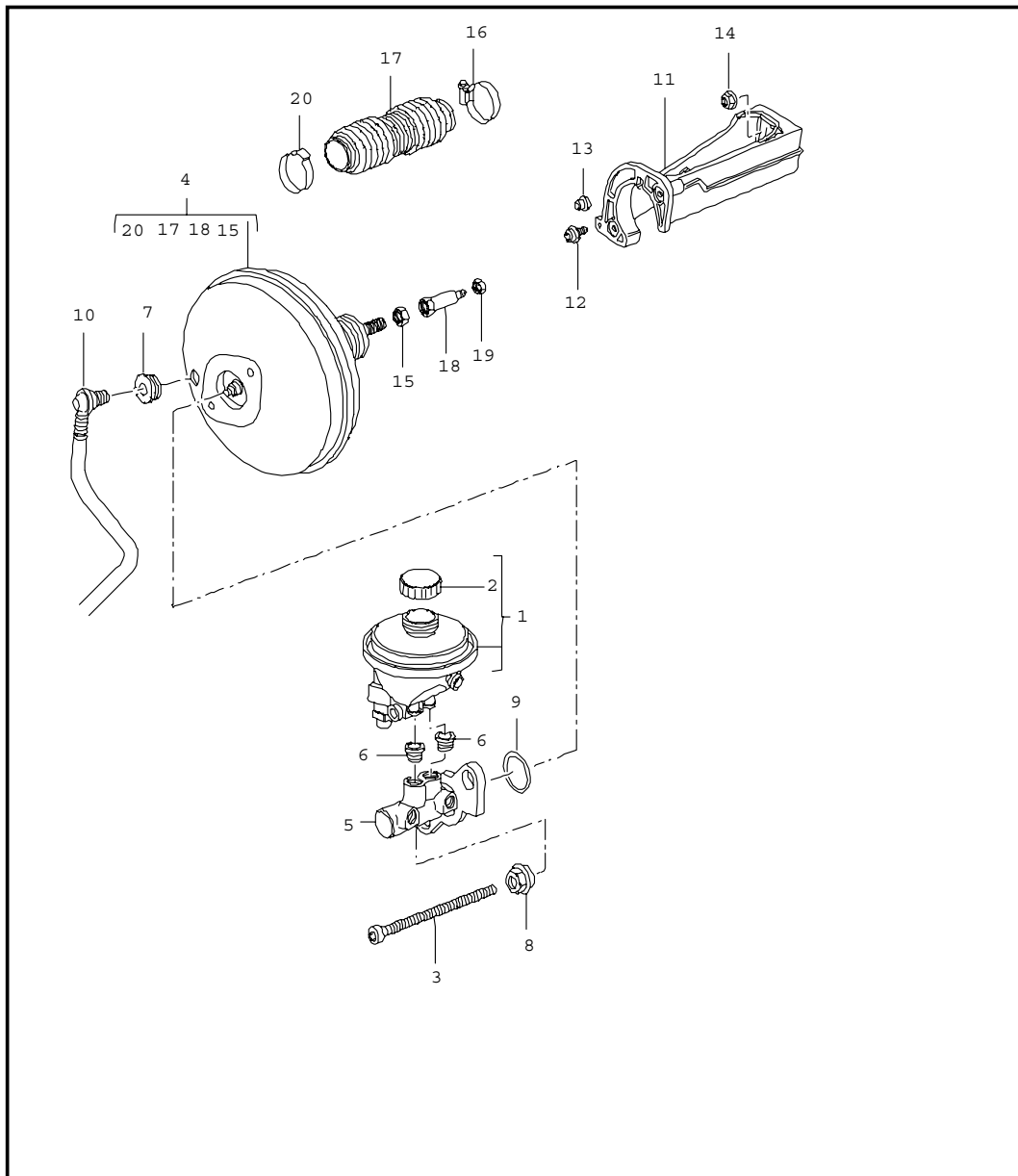
Pos	Part Number	Name	Remarks	Qty	Model	Pos	Part Number	Name	Remarks	Qty	Model
(6)	996 352 947 01	set of brake pads see technical manual group 46 35 20 use also: mounting parts F >>986U7 22485		1	BOXSTER-S I450	-	964 352 096 00	damping plate 30 MM \$		X	BOXSTER-S BOXSTER-S I450
(6)	997 352 948 00	set of brake pads see technical manual group 46 35 20 use also: mounting parts F 986U7 22486>>		1	BOXSTER-S I450	-	964 352 096 01	damping plate 28 MM \$		X	BOXSTER-S
						-	996 352 086 01	damping plate 28 MM \$ see technical manual group 46 35 20 F >>986U7 31545 F >>986U7 31545		X	BOXSTER-S I450
7	987 612 676 01	warning contact		2	BOXSTER	12	996 352 961 00	connecting line	/L	1	
(7)	986 612 365 00	warning contact		2	BOXSTER-S	(12)	996 352 962 00	connecting line	/R	1	
(7)	987 612 676 01	warning contact		2	BOXSTER-S I450	(12)	996 351 961 30	connecting line		2	BOXSTER-S I450
8	999 067 041 09	pan-head screw M 12 X 1,5 X 72		4		13	930 351 919 00	ventilation valve		4	
(8)	999 067 041 09	pan-head screw M 12 X 1,5 X 72		4	BOXSTER-S	14	930 351 927 00	dust boot		4	
(8)	999 067 047 09	pan-head screw M 12 X 1,5 X 85		4	BOXSTER-S I450	15	000 043 117 00	brake cylinder paste 50 G		X	
-	944 612 627 00	holder for warning contact		2		(15)	000 043 020 00	optimoly 100 G		X	
9	951 352 917 01	repair kit protection caps 30 MM \$		2				- - - E N D - - -			
10	951 352 917 00	repair kit protection caps 28 MM \$		2							
11	996 352 959 01	repair kit mounting parts bolt expanding spring securing clip		1 2 2 2							
(11)	996 351 959 01	repair kit mounting parts bolt expanding spring securing clip		1 2 2 2	BOXSTER-S I450						

Model	Year	MG	SG	Illustration	Restrictions	Update	18:37	24.08.2006	PORSCHE	PET	PORSCHE
987	07	6	03	603-05		203					



Pos	Part Number	Name	Remarks	Qty	Model
		handbrake			
(1)	996 352 993 02	repair kit 1 set		1	
2	993 352 071 00	adjusting screw		2	
4	997 352 721 01	tension spring		2	
5	997 352 723 01	tension spring	05	2	
(5)	997 352 723 02	tension spring	06-	2	
6	U 997 352 741 00	compression spring		4	
(6)	997 352 741 01	compression spring		4	
7	986 352 731 01	actuating lever		2	
8	986 352 733 02	clip		2	
9	986 352 735 00	bolt		2	
10	997 352 807 01	supporting plate		2	
11	986 352 073 02	expanding bow		2	
		- - - E N D - - -			

Model	Year	MG	SG	Illustration	Restrictions	Update	18:37	24.08.2006	PORSCHE	PET	PORSCHE
987	07	6	04	604-00		203					

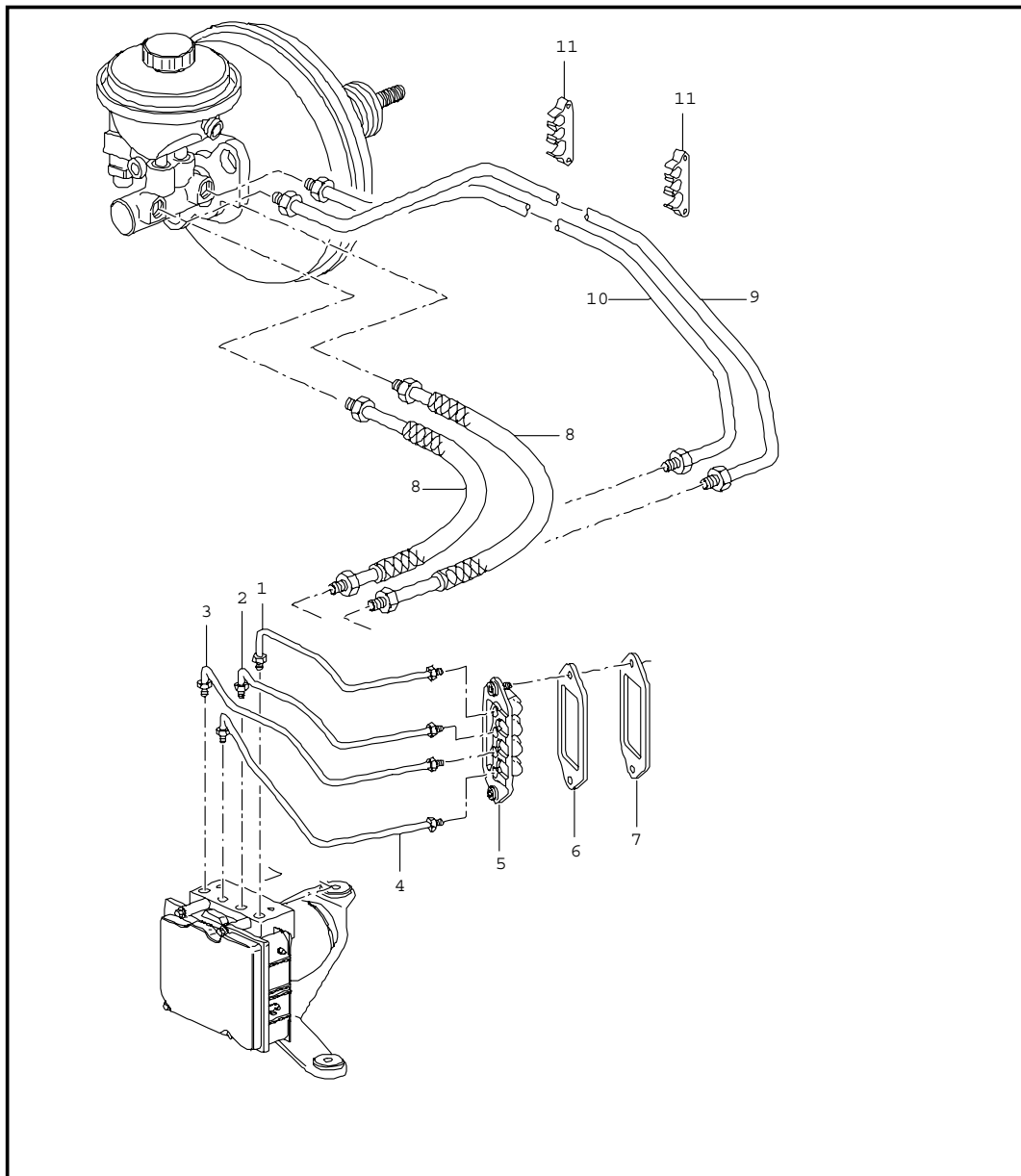


Pos	Part Number	Name	Remarks	Qty	Model
		brake master cylinder brake booster			
1	997 355 013 00	expansion tank	05	1	I480/481
(1)	997 355 013 01	expansion tank	06-	1	I480/481
(1)	997 355 013 20	expansion tank	05	1	I249
(1)	997 355 013 21	expansion tank	06-	1	
2	996 355 119 01	catch		1	
-	997 355 125 00	support for contact for container		1	
3	999 073 124 09	pan-head screw M 8 X 154 X 80		2	
4	997 355 923 00	brake booster		1	
-	996 355 137 01	catch threaded joint brake booster		1	
5	997 355 910 00	brake master cylinder		1	
(5)	997 355 910 00	brake master cylinder		1	BOXSTER-S
(5)	997 355 910 10	brake master cylinder		1	BOXSTER-S I450
6	993 355 922 00	grommet		2	
7	999 702 182 40	rubber bush		1	
8	997 355 925 00	hexagon nut		2	
9	993 355 212 00	gasket		1	
10	997 355 577 00	vacuum line		1	I098
(10)	997 355 578 00	vacuum line		1	I099
11	997 423 251 00	intermediate piece		1	
12	900 067 240 02	screw M 6 X 12 Z1		2	
13	999 703 448 50	plug	/R	1	
14	999 084 630 09	hexagon nut M 8		2	
15	900 183 015 02	hexagon nut M 12 X 1,5		1	

Model	Year	MG	SG	Illustration	Restrictions	Update	18:37	24.08.2006	PORSCHE	PET	PORSCHE
987	07	6	04	604-00		203					

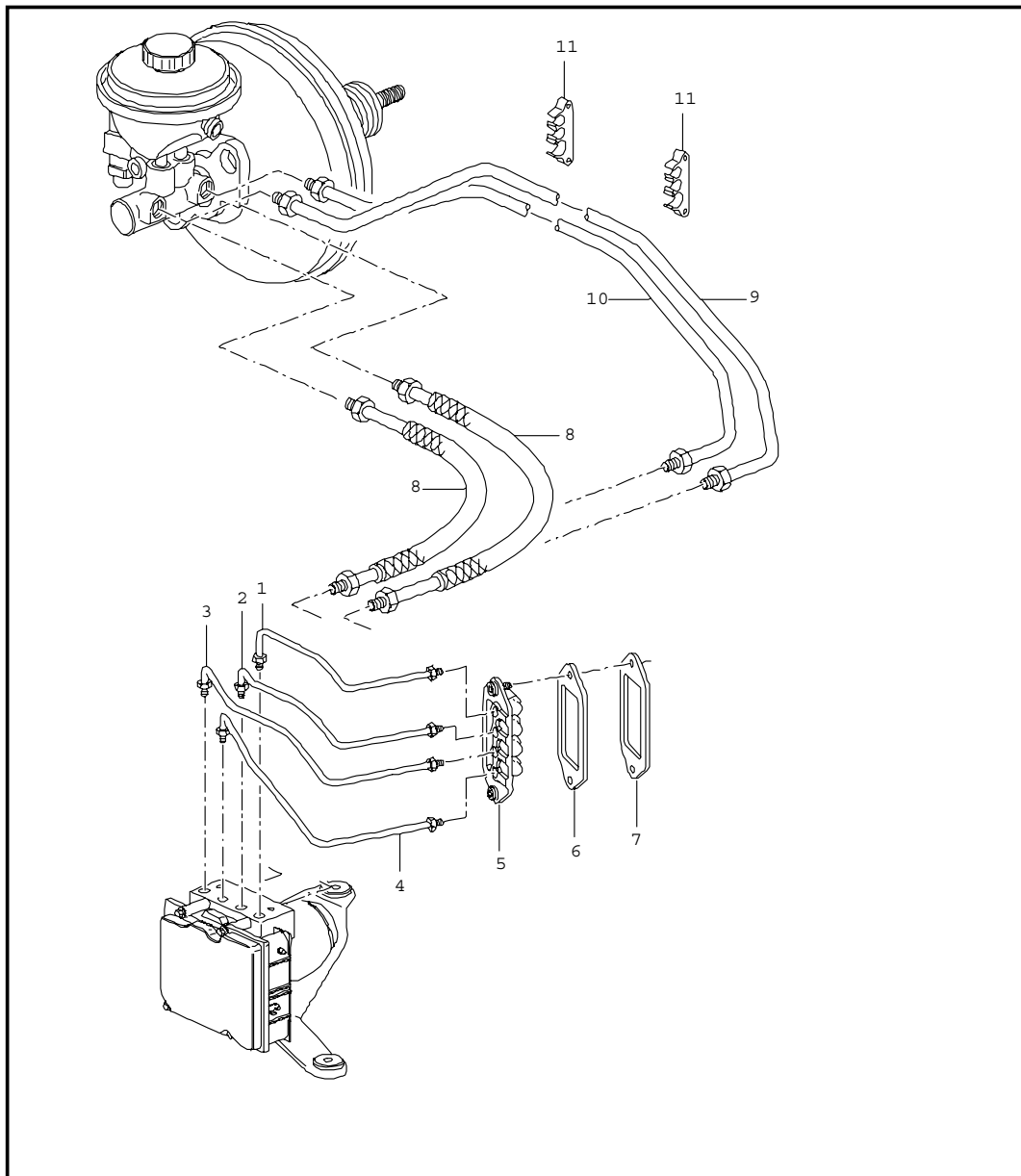
Pos	Part Number	Name	Remarks	Qty	Model	Pos	Part Number	Name	Remarks	Qty	Model
-	996 355 901 01	gasket brake booster bulkhead		1							
16	999 512 478 00	hose clamp		1							
17	996 423 269 05	bellows		1							
18	996 355 927 01	connecting piece		1							
19	900 380 015 09	hexagon nut M 6		1							
20	999 512 672 00	clamp		1							
		- - - E N D - - -									

Model	Year	MG	SG	Illustration	Restrictions	Update			PORSCHE	PET	PORSCHE
987	07	6	04	604-05		203	7:37	25.08.2006			



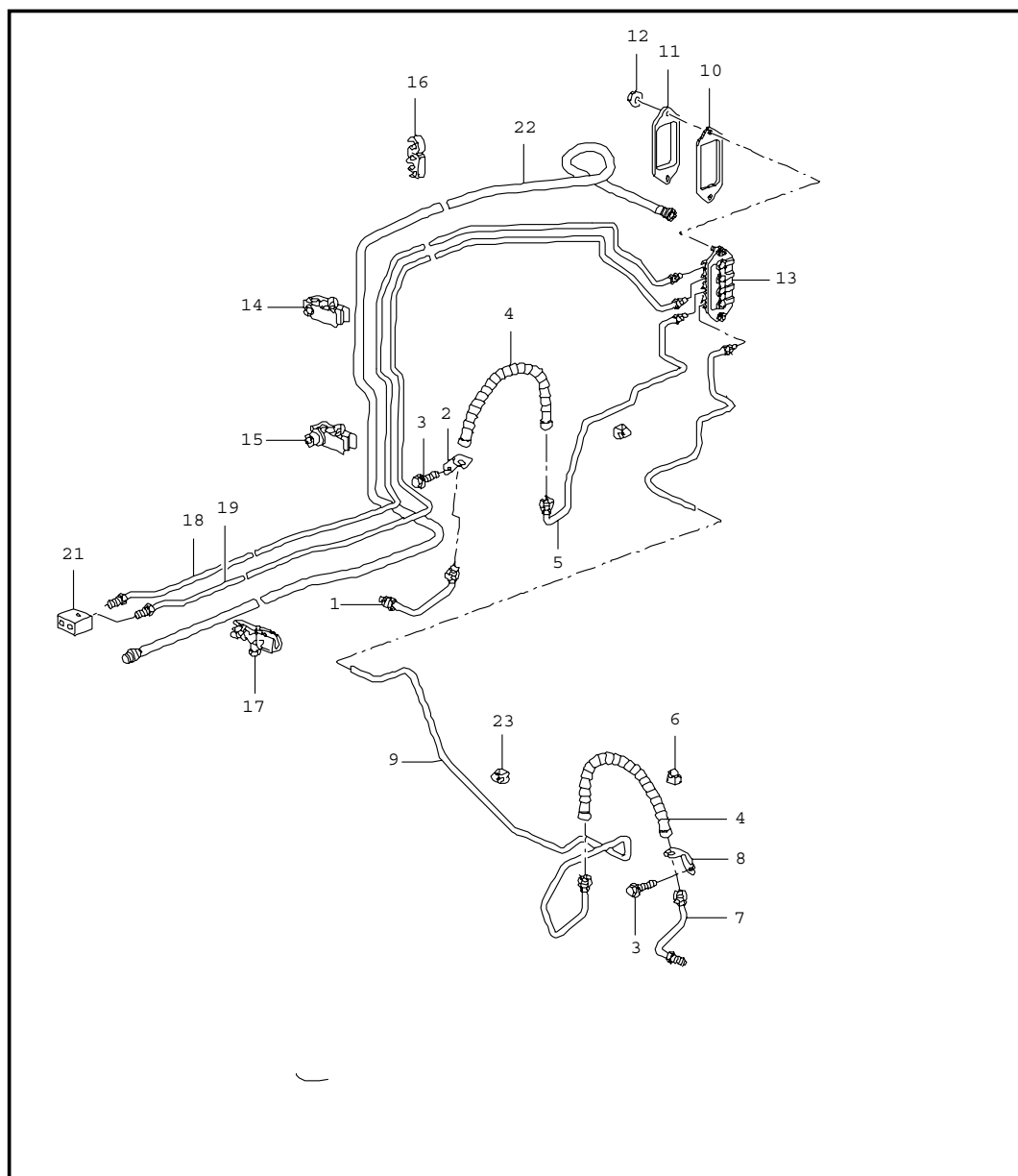
Pos	Part Number	Name	Remarks	Qty	Model
		brake lines body front section			
1	997 355 315 00	brake line		1	
2	997 355 316 00	brake line		1	
3	997 355 327 00	brake line		1	
4	997 355 326 00	brake line		1	
5	997 355 650 00	intermediate piece		1	
6	997 355 752 00	gasket		1	
7	997 355 753 00	reinforcement		1	
8	997 355 311 00	pressure line		2	I098
9	997 355 312 00	pressure line		1	I099
10	997 355 314 00	pressure line		1	I099
11	999 507 632 40	cable holder		2	
		- - - E N D - - -			

Model	Year	MG	SG	Illustration	Restrictions	Update			PORSCHE	PET	PORSCHE
987	07	6	04	604-05		203	7:37	25.08.2006			



Pos	Part Number	Name	Remarks	Qty	Model
		brake lines body front section			
1	997 355 315 00	brake line		1	
2	997 355 316 00	brake line		1	
3	997 355 327 00	brake line		1	
4	997 355 326 00	brake line		1	
5	997 355 650 00	intermediate piece		1	
6	997 355 752 00	gasket		1	
7	997 355 753 00	reinforcement		1	
8	997 355 311 00	pressure line		2	I098
9	997 355 312 00	pressure line		1	I099
10	997 355 314 00	pressure line		1	I099
11	999 507 632 40	cable holder		2	
		- - - E N D - - -			

Model	Year	MG	SG	Illustration	Restrictions	Update	7:37	25.08.2006	PORSCHE	PET	PORSCHE
987	07	6	04	604-10		203					

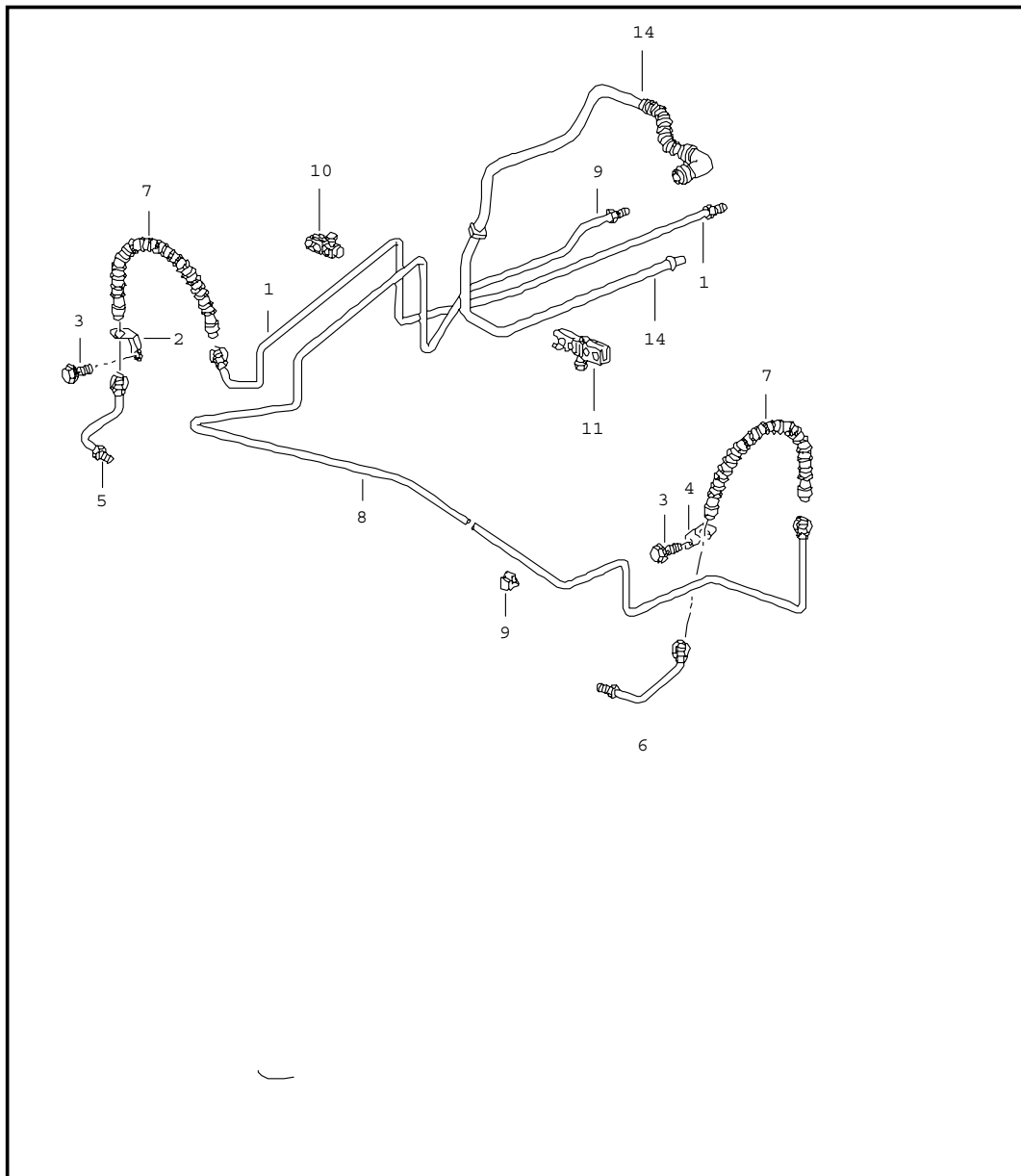


Pos	Part Number	Name	Remarks	Qty	Model
		brake lines brake lines underbody vacuum line			
1	996 355 581 06	brake line	/L	1	
(1)	996 355 581 9B	brake line		1	I450
2	996 355 501 06	brake hose bracket	/L	1	
3	900 067 117 09	pan-head screw M 6 X 16		2	
4	996 355 139 01	brake hose		2	
5	997 355 175 02	brake line	/L	1	
6	999 591 930 40	support		X	
7	996 355 584 06	brake line	/R	1	
(7)	996 355 584 9B	brake line	/R	1	I450
8	996 355 502 06	brake hose bracket	/R	1	
9	997 355 176 02	brake line		1	
10	997 355 753 00	reinforcement		1	
11	997 355 752 00	gasket		1	
12	900 380 015 09	hexagon nut M 6		3	
13	997 355 650 00	intermediate piece		1	
14	996 355 545 00	support		3	
15	996 355 549 00	support		1	
16	996 355 547 01	support		2	
17	996 355 543 00	support		1	
18	997 355 177 01	brake line		1	
19	997 355 179 01	brake line		1	
21	996 355 760 31	connecting piece		1	
22	997 355 571 01	vacuum line		1	
-	999 702 289 40	grommet wheel housing		1	
23	999 651 331 40	cable holder		5	

Model	Year	MG	SG	Illustration	Restrictions	Update					
987	07	6	04	604-10		203	7:37	25.08.2006	PORSCHE	PET	PORSCHE

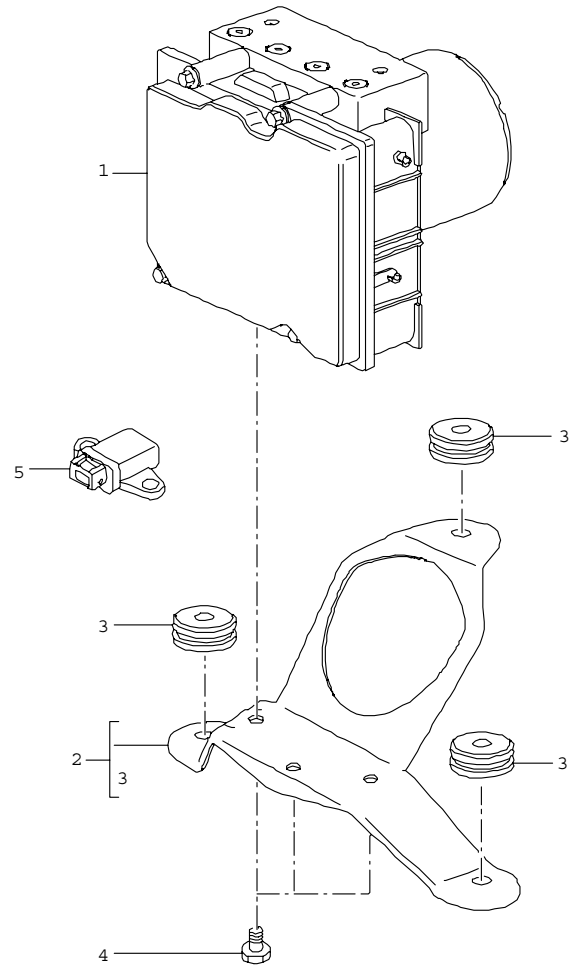
Pos	Part Number	Name	Remarks	Qty	Model	Pos	Part Number	Name	Remarks	Qty	Model
		- - - E N D - - -									

Model	Year	MG	SG	Illustration	Restrictions	Update	7:38	25.08.2006	PORSCHE	PET	PORSCHE
987	07	6	04	604-15		203					



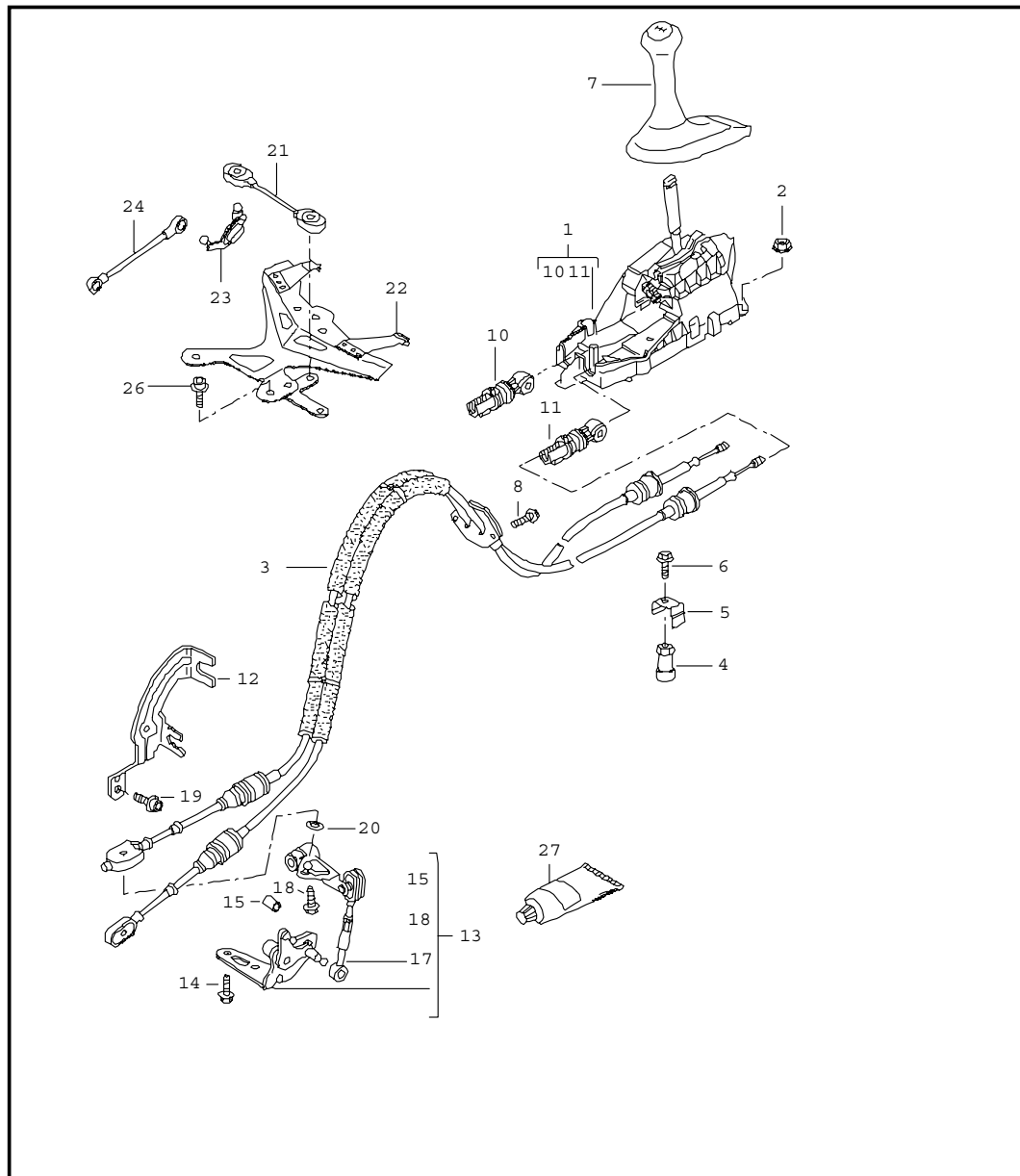
Pos	Part Number	Name	Remarks	Qty	Model
		brake line underbody rear axle vacuum line			
1	987 355 189 01	brake line	/L	1	
2	987 355 501 01	support	/L	1	
3	900 075 355 09	hexagon-head bolt M 6 X 16		4	
4	987 355 502 01	support	/R	1	
5	987 355 581 00	brake line	/L	1	
(5)	987 355 583 00	brake line	/L	1	BOXSTER-S I450
6	987 355 582 00	brake line	/R	1	
(6)	987 355 584 00	brake line	/R	1	BOXSTER-S I450
-	996 501 815 02	support brake hose		2	
7	987 355 137 00	brake hose		2	
8	987 355 190 01	brake line	/R	1	
9	999 651 331 40	cable holder		3	
10	964 423 811 00	support		2	
11	996 355 543 00	support		1	
14	987 355 575 01	vacuum line		1	
		- - - E N D - - -			

Model	Year	MG	SG	Illustration	Restrictions	Update	7:38	25.08.2006	PORSCHE	PET	PORSCHE
987	07	6	05	605-00		203					



Pos	Part Number	Name	Remarks	Qty	Model
		hydraulic unit anti-lock brake system control			
1	987 355 955 04	hydraulic unit		1	
2	997 355 033 00	support with rubber mounting		1	
3	964 356 635 00	rubber mounting		3	
4	900 385 060 09	screw BM 6 X 10		3	
5	996 606 145 00	sensor		1	
		- - - E N D - - -			

Model	Year	MG	SG	Illustration	Restrictions	Update	7:38	25.08.2006	PORSCHE	PET	PORSCHE
987	07	7	01	701-00		203					



Pos	Part Number	Name	Remarks	Qty	Model
		transmission control manual transmission			
1	997 424 010 00	gearshift bracket		1	
(1)	997 424 983 00	gearshift bracket		1	IXCZ
2	999 084 629 09	hexagon nut M 6		4	
3	987 424 041 00	cable	05	1	I481
(3)	987 424 041 01	cable	06	1	I481
(3) P	987 424 041 11	cable	07-	1	I481
(3)	987 424 042 00	cable	05	1	I480
(3)	987 424 042 01	cable	06	1	I480
(3) P	987 424 042 11	cable	07-	1	I480
4 U	986 424 221 00	spacer		2	
5 U	987 424 211 01	support		1	
6 U	900 075 023 02	pan-head screw M 8 X 12		1	
7	987 424 075 00	gearshift knob leather shift pattern black		1	I481
		FOT	black/black		
		FOU	stone grey/stone grey		
		FOV	sand beige/sand beige		
		FOW	seeblue/seeblue		
		FOX	palm-green/palm-green		
		FPW	terrakotta/terrakotta		
		FPX	cocoa/cocoa		
		FQE	black/stone grey		
		FOY	dark grey/dark grey		
		FOZ	brown nat./brown nat.		
(7)	987 424 075 03	gearshift knob carbon shift pattern black		1	I481/I803

Model	Year	MG	SG	Illustration	Restrictions	Update	7:38	25.08.2006	PORSCHE	PET	PORSCHE
987	07	7	01	701-00		203					

Pos	Part Number	Name	Remarks	Qty	Model	Pos	Part Number	Name	Remarks	Qty	Model
	FPP	black					FQB	cocoa			
	FPQ	stone grey					FPN	dark grey/natural			
	FPR	sand beige					FPO	brown/natural			
	FPS	sea blue				(7)	997 424 075 01	gearshift knob leather shift pattern aluminium look		1	I480
	FPT	palmgreen					FOT	black/black			
	FQC	terracotta					FOU	stone grey/stone grey			
	FQD	cocoa					FOV	sand beige/sand beige			
	FPU	dark grey/natural					FOW	seeblue/seeblue			
(7)	987 424 075 04	gearshift knob makassar shift pattern black		1	I481/I801		FOX	palm-green/palm-green			
	FPA	black					FPW	terrakotta/terrakotta			
	FPB	stone grey					FPX	cocoa/cocoa			
	FPC	sand beige					FQE	black/stone grey			
	FPD	sea blue					FOY	dark grey/dark grey			
	FPE	palmgreen				(7)	997 424 075 03	gearshift knob carbon shift pattern aluminium look		1	I480/I803
	FPY	terracotta					FOZ	brown nat./brown nat.			
	FPZ	cocoa					FPP	black			
	FPF	dark grey/natural					FPQ	stone grey			
(7)	987 424 075 04	gearshift knob sycamore wood shift pattern black		1	I481/I802		FPR	sand beige			
	FPG	brown/natural					FPS	sea blue			
	FPH	black					FPT	palmgreen			
	FPJ	stone grey					FQC	terracotta			
	FPK	sand beige					FQD	cocoa			
	FPL	sea blue					FPU	dark grey/natural			
	FPM	palmgreen				(7)	997 424 075 04	gearshift knob makassar shift pattern aluminium look		1	I480/I801
	FQA	terracotta					FPV	brown/natural			

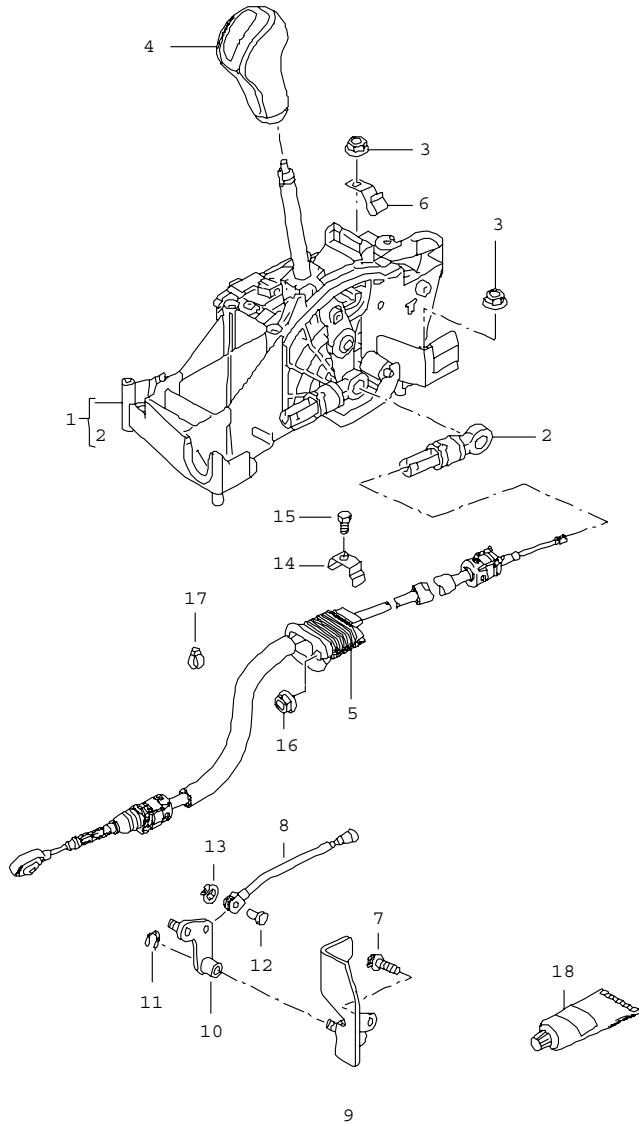
Model	Year	MG	SG	Illustration	Restrictions	Update	7:38	25.08.2006	PORSCHE	PET	PORSCHE
987	07	7	01	701-00		203					

Pos	Part Number	Name	Remarks	Qty	Model	Pos	Part Number	Name	Remarks	Qty	Model
	FPA	black					D11	dark grey/natural			
	FPB	stone grey					T11	brown/natural			
	FPC	sand beige				8	900 378 152 09	hexagon-head bolt M 6 X 20		2	I481
	FPD	sea blue				(8)	999 084 629 09	hexagon nut M 6		2	I480
	FPE	palmgreen				(10)	996 424 145 01	fastening part for cable adjustable		1	
	FPY	terracotta									
	FPZ	cocoa									
	FPF	dark grey/natural									
	FPG	brown/natural						clip for fastening part		1	
(7)	997 424 075 04	gearshift knob sycamore wood shift pattern aluminium look		1	I480/I802	11	996 424 147 00	fastening part for cable adjustable		1	
	FPH	black				12	986 424 165 02	support for cable		1	
	FPJ	stone grey				13	987 424 913 02	linkage adjustable		1	
	FPK	sand beige				14	900 075 085 02	hexagon-head bolt M 8 X 20		2	
	FPL	sea blue				15	987 424 135 00	rubber stop		1	
	FPM	palmgreen				17	987 424 932 02	connecting rod adjustable		1	
	FQA	terracotta				18	N 901 239 02	hexagon-head bolt M 8 X 26		1	
	FQB	cocoa				19	999 073 209 09	pan-head screw M 10 X 20		2	
(7)	997 424 981 00	gearshift knob aluminium leather	06-	1	IX97/I480	20	986 424 133 00	washer		2	
	8YR	black				21	987 424 131 02	joint rod		1	I480
	5X5	stone grey				22	987 424 137 01	transmission bracket		1	I480
	8G1	sand beige				23	987 424 023 00	lever		1	I480
	3S8	sea blue				24	987 424 035 00	connecting rod		1	I480
	4P1	palmgreen				25	900 377 003 02	hexagon nut M 8		1	I480
	9N2	terracotta									
	9Q3	cocoa									

Model	Year	MG	SG	Illustration	Restrictions	Update					
987	07	7	01	701-00		203	7:38	25.08.2006	PORSCHE	PET	PORSCHE

Pos	Part Number	Name	Remarks	Qty	Model	Pos	Part Number	Name	Remarks	Qty	Model
26	900 385 274 09	torx screw M 10 X 25		3	I480						
27	000 043 205 93	grease 1 tube 100 g		X							
		- - - E N D - - -									

Model	Year	MG	SG	Illustration	Restrictions	Update	7:38	25.08.2006	PORSCHE	PET	PORSCHE
987	07	7	01	701-01		203					

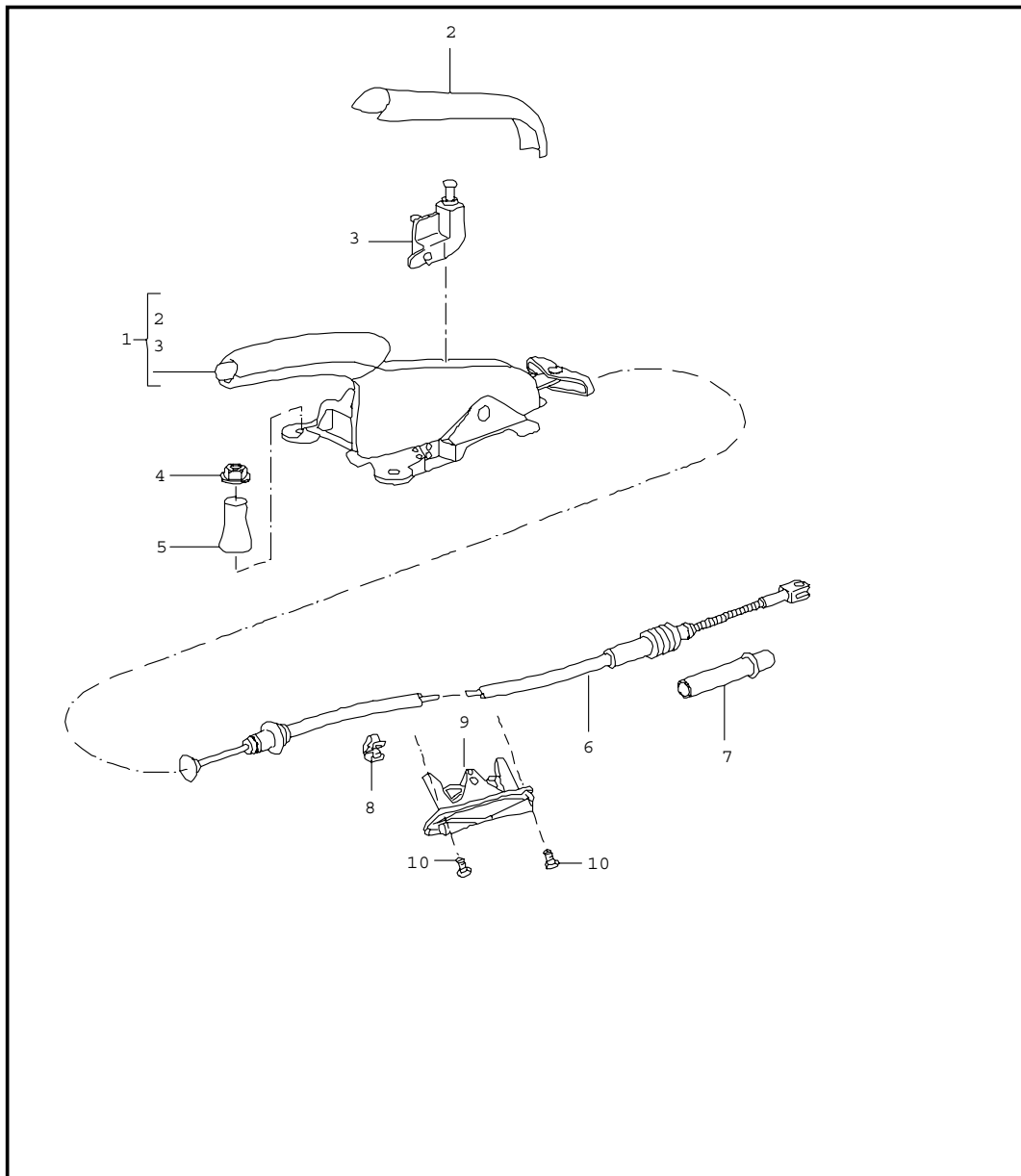


Pos	Part Number	Name	Remarks	Qty	Model
1	987 426 011 01	selector lever tiptronic	-06	1	
(1) N	987 426 011 02	selector lever with housing	07-	1	
-	996 613 212 10	switch selector lever		1	
2	996 426 035 00	fastening part for cable adjustable		1	
3	999 084 629 09	hexagon nut M 6		4	
4	997 426 069 00	selector knob leather		1	
		8YR black			
		5X5 stone grey			
		8G1 sand beige			
		3S8 sea blue			
		4P1 palmgreen			
		9N2 terracotta			
		9Q3 cocoa			
		D11 dark grey/natural			
		T11 brown/natural			
(4)	997 426 069 03	selector knob		1	I803
		A35 carbon			
(4)	997 426 069 04	selector knob		1	I801
		S61 makassar			
(4)	997 426 069 04	selector knob		1	I802
		S62 sycamore wood			
5	987 426 033 00	cable		1	
6	999 507 465 02	support		1	

Model	Year	MG	SG	Illustration	Restrictions	Update					
987	07	7	01	701-01		203	7:38	25.08.2006	PORSCHE	PET	PORSCHE

Pos	Part Number	Name	Remarks	Qty	Model	Pos	Part Number	Name	Remarks	Qty	Model
7	999 073 094 09	oval-head screw M 8 X 20		2							
8	986 426 043 01	push rod		1							
9	986 426 041 06	plate		1							
10	986 426 045 06	reverse lever		1							
11	900 116 007 09	lock		1							
12	986 426 415 02	bolt		1							
13	999 507 057 02	clamping washer		1							
14	U 987 424 211 01	support		1							
15	U 900 075 023 02	pan-head screw M 8 X 12		1							
16	999 084 629 09	hexagon nut M 6		2							
17	999 507 635 00	support		1							
18	000 043 205 93	grease 1 tube 100 g		1							
		- - - E N D - - -									

Model	Year	MG	SG	Illustration	Restrictions	Update	7:39	25.08.2006	PORSCHE	PET	PORSCHE
987	07	7	01	701-05		203					



Pos	Part Number	Name	Remarks	Qty	Model
1	997 424 031 42	handbrake actuator	-06	1	
		parking-brake lever complete leather			
	8YR	black			
	5X5	stone grey			
	8G1	sand beige			
	3S8	sea blue			
	4P1	palmgreen			
	9N2	terracotta			
	9Q3	cocoa			
	FQF	black/stone grey			
	D11	dark grey/natural			
	T11	brown/natural			
(1)	997 424 031 52	parking-brake lever complete leather	07-	1	
	8YR	black			
	5X5	stone grey			
	8G1	sand beige			
	3S8	sea blue			
	4P1	palmgreen			
	9N2	terracotta			
	9Q3	cocoa			
	FQF	black/stone grey			
	D11	dark grey/natural			
	T11	brown/natural			
(1)	997 424 031 43	parking-brake lever complete makassar		1	I801
	8YR	black			
	5X5	stone grey			

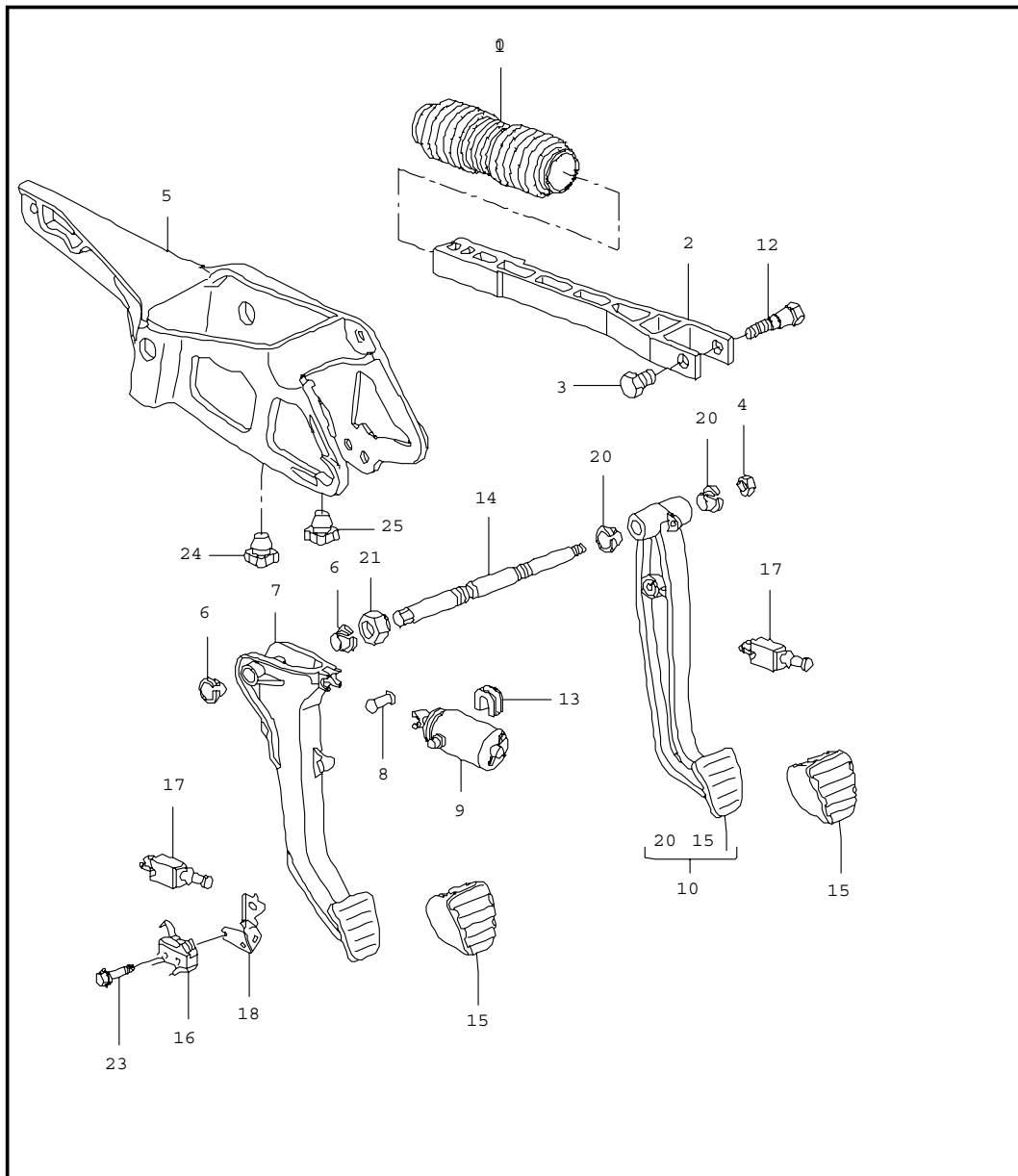
Model	Year	MG	SG	Illustration	Restrictions	Update					
987	07	7	01	701-05		203	7:39	25.08.2006	PORSCHE	PET	PORSCHE

Pos	Part Number	Name	Remarks	Qty	Model	Pos	Part Number	Name	Remarks	Qty	Model
		8G1 sand beige						8YR black			
		3S8 sea blue						5X5 stone grey			
		4P1 palmgreen						8G1 sand beige			
		9N2 terracotta						3S8 sea blue			
		9Q3 cocoa						4P1 palmgreen			
		D11 dark grey/natural						9N2 terracotta			
		T11 brown/natural						9Q3 cocoa			
(1)	997 424 031 44	parking-brake lever complete sycamore wood		1	I802			D11 dark grey/natural			
		8YR black				(1)	997 424 980 01	parking-brake lever complete	I099 07-	1	IX98
		8G1 sand beige						8YR black			
		3S8 sea blue						5X5 stone grey			
		4P1 palmgreen						8G1 sand beige			
		9N2 terracotta						3S8 sea blue			
		9Q3 cocoa						4P1 palmgreen			
		D11 dark grey/natural						9N2 terracotta			
		T11 brown/natural						9Q3 cocoa			
(1)	997 424 031 45	parking-brake lever complete carbon		1	I803			D11 dark grey/natural			
		8YR black						T11 brown/natural			
		5X5 stone grey				2	997 424 155 00	cover leather		1	
		8G1 sand beige						8YR black			
		3S8 sea blue						5X5 stone grey			
		4P1 palmgreen						8G1 sand beige			
		9N2 terracotta						3S8 sea blue			
		9Q3 cocoa						4P1 palmgreen			
		D11 dark grey/natural						9N2 terracotta			
		T11 brown/natural						9Q3 cocoa			
(1)	997 424 980 00	parking-brake lever complete	I098 07-	1	IX98			D11 dark grey/natural			

Model	Year	MG	SG	Illustration	Restrictions	Update					
987	07	7	01	701-05		203	7:39	25.08.2006	PORSCHE	PET	PORSCHE

Pos	Part Number	Name	Remarks	Qty	Model	Pos	Part Number	Name	Remarks	Qty	Model
	T11	brown/natural									
3	996 613 112 01	switch		1							
4	999 084 630 09	hexagon nut M 8		4							
5	U 986 424 221 00	spacer		1							
6	987 424 141 04	parking-brake cable		2							
7	986 424 721 07	guide tube		2							
8	999 507 827 40	cable holder		2							
9	986 424 310 02	housing		1							
10	900 378 035 09	hexagon-head bolt M 6 X 16		4							
		- - - E N D - - -									

Model	Year	MG	SG	Illustration	Restrictions	Update	7:39	25.08.2006	PORSCHE	PET	PORSCHE
987	07	7	02	702-00		203					

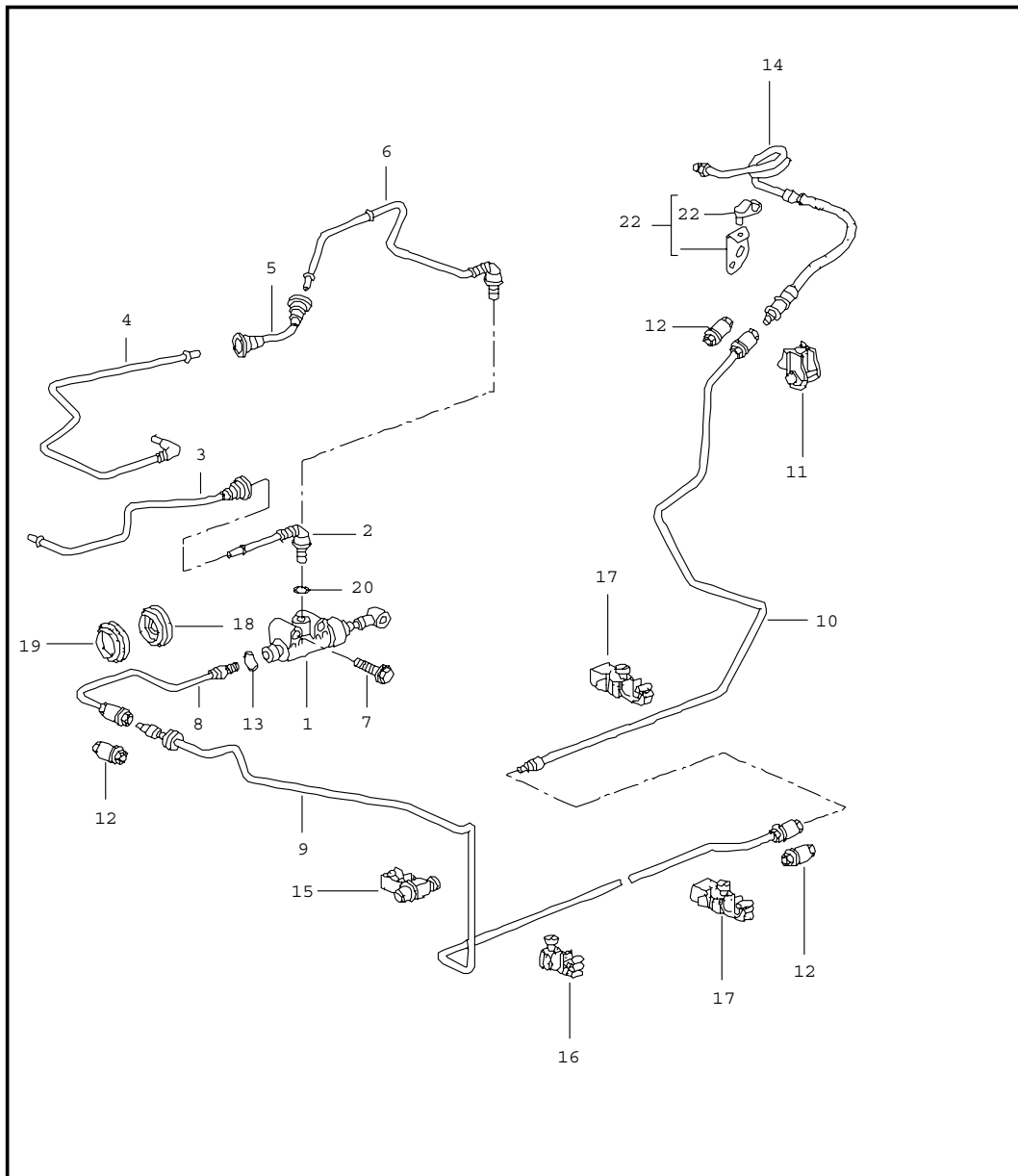


Pos	Part Number	Name	Remarks	Qty	Model
-	000 043 206 17	pedals grease l tube		X	
1	...	bellows see illustrations 6/04/00		1	
(2)	996 423 165 05	push rod		1	
3	996 423 307 00	sleeve		1	
4	900 380 005 09	hexagon nut M 8		3 2	
5	997 423 571 02	bracket for clutch power spring		1	I480
6	997 423 399 01	bush		2	I480
7	997 423 139 01	clutch pedal		1	I480
(8)	996 423 315 06	bolt		1	I480
-	999 166 022 02	kl-lock for bolt		1	I480
9	997 423 081 05	clutch power spring		1	
(10)	997 423 091 03	brake pedal		1	I480/098
(10)	997 423 092 03	brake pedal		1	I480/099
(10)	997 423 093 03	brake pedal		1	I249/098
10	997 423 094 03	brake pedal		1	I249/099
12	996 423 308 00	bolt		1	
13	997 423 581 00	bearing shell		1	
14	997 423 281 00	axle		1	I480/098
(14)	997 423 284 00	axle		1	I480/099
(14)	996 423 283 05	axle		1	I249/098
(14)	996 423 286 05	axle		1	I249/099
-	996 423 277 00	sleeve brake pedal		1	I099
15	997 423 910 00	cap		2	I480
(15)	997 423 912 00	cap		1	I249

Model	Year	MG	SG	Illustration	Restrictions	Update					
987	07	7	02	702-00		203	7:39	25.08.2006	PORSCHE	PET	PORSCHE

Pos	Part Number	Name	Remarks	Qty	Model	Pos	Part Number	Name	Remarks	Qty	Model
16	997 613 109 00	switch		1	I480						
(17)	996 613 113 01	switch brake pedal		2							
(17)	996 613 114 01	switch clutch pedal		1							
18	997 423 541 00	support		1							
20	997 423 401 00	bush		2	I098						
(20)	997 423 402 00	bush		2	I099						
21	997 423 275 01	screw plug		1							
22	900 378 273 09	hexagon-head bolt M 6 X 18		1							
23	900 146 159 02	round head screw M 3 X 20		1							
24	997 423 695 00	rubber stop		1							
25	997 423 697 00	rubber stop		1							
		- - - E N D - - -									

Model	Year	MG	SG	Illustration	Restrictions	Update	7:39	25.08.2006	PORSCHE	PET	PORSCHE
987	07	7	02	702-08		203					

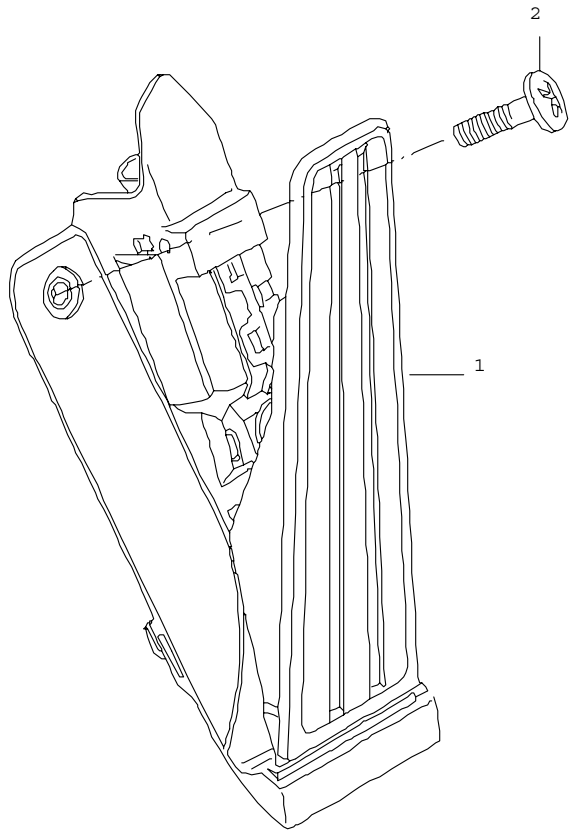


Pos	Part Number	Name	Remarks	Qty	Model
1	997 423 171 01	clutch control clutch master cylinder clutch pipeline		1	
-	996 423 614 00	clutch master cylinder		1	
-	996 423 315 06	clutch pipeline		1	
-	999 166 022 02	clutch master cylinder		1	
2	997 423 147 00	clutch master cylinder		1	I098
3	997 423 137 00	clutch master cylinder		1	I098
4	996 423 138 04	clutch master cylinder		1	I099
5	996 423 140 02	clutch master cylinder		1	I099
6	996 423 142 02	clutch master cylinder		1	I099
-	999 703 421 40	clutch master cylinder		1	I249
7	900 378 217 09	clutch master cylinder		2	
8	996 423 107 10	clutch master cylinder		1	I098
(8)	997 423 108 00	clutch master cylinder		1	I099
-	999 702 174 50	clutch master cylinder		1	I098
9	997 423 109 00	clutch master cylinder		1	
10	987 423 113 00	clutch master cylinder		1	I480
(10)	987 423 113 25	clutch master cylinder		1	I481
11	999 591 964 40	clutch master cylinder		1	
12	999 230 541 10	clutch master cylinder		3	
-	999 230 685 40	clutch master cylinder		3	
13	999 707 333 40	clutch master cylinder		1	
14	987 423 377 00	clutch master cylinder		1	I480
15	996 355 549 00	clutch master cylinder		1	
16	996 355 545 00	clutch master cylinder		2	

Model	Year	MG	SG	Illustration	Restrictions	Update					
987	07	7	02	702-08		203	7:39	25.08.2006	PORSCHE	PET	PORSCHE

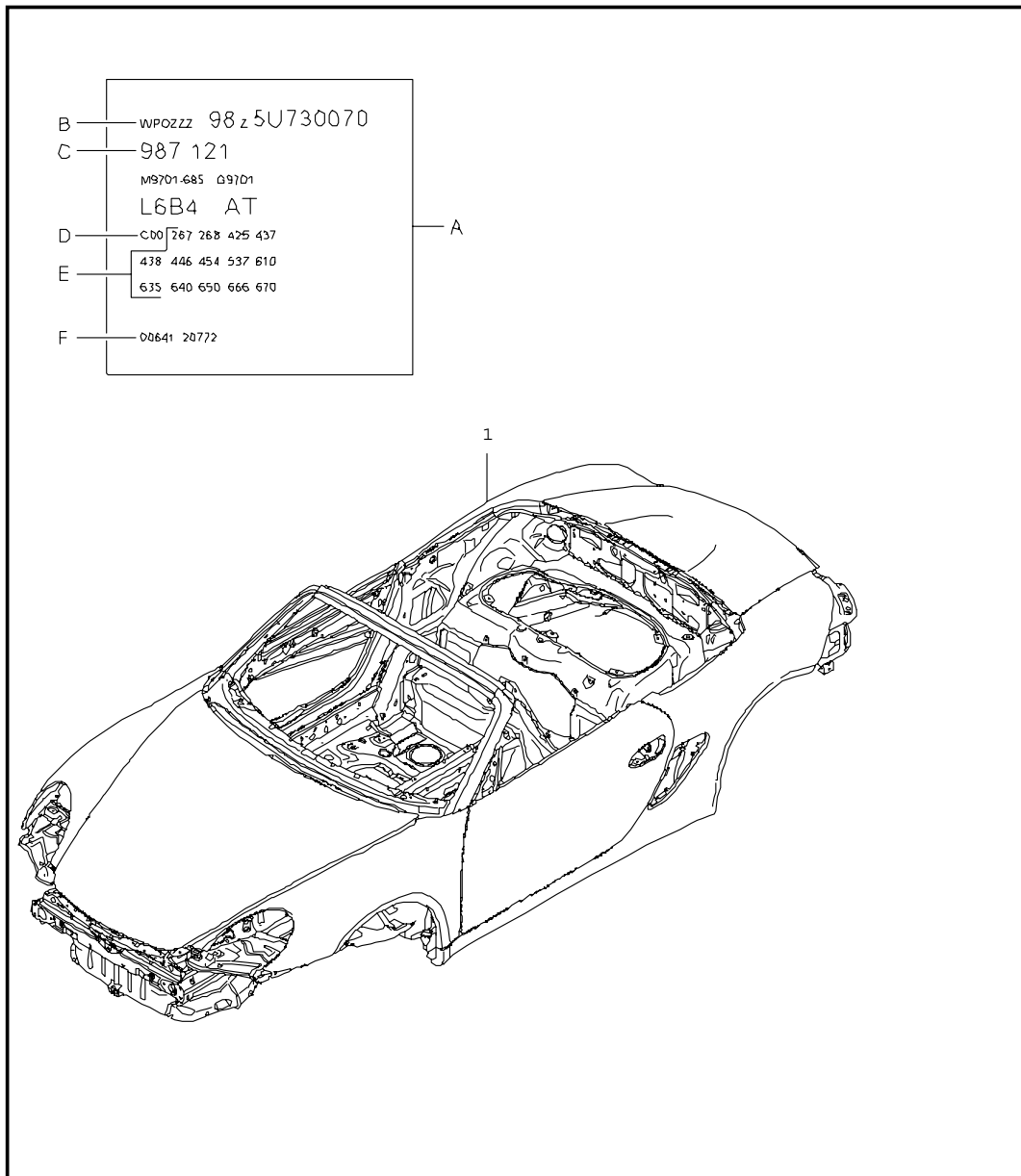
Pos	Part Number	Name	Remarks	Qty	Model	Pos	Part Number	Name	Remarks	Qty	Model
17	996 355 543 00	support		4							
18	999 702 216 42	grommet		1	I481/I480						
19	999 702 217 41	grommet		1	I249						
-	999 507 586 40	cable holder		1							
20	999 707 333 40	sealing ring 6,07 X 1,78N		1							
21	986 423 677 25	bracket		1	I481						
22	999 507 586 40	cable holder		1	I480						
		- - - E N D - - -									

Model	Year	MG	SG	Illustration	Restrictions	Update	7:39	25.08.2006	PORSCHE	PET	PORSCHE
987	07	7	02	702-10		203					



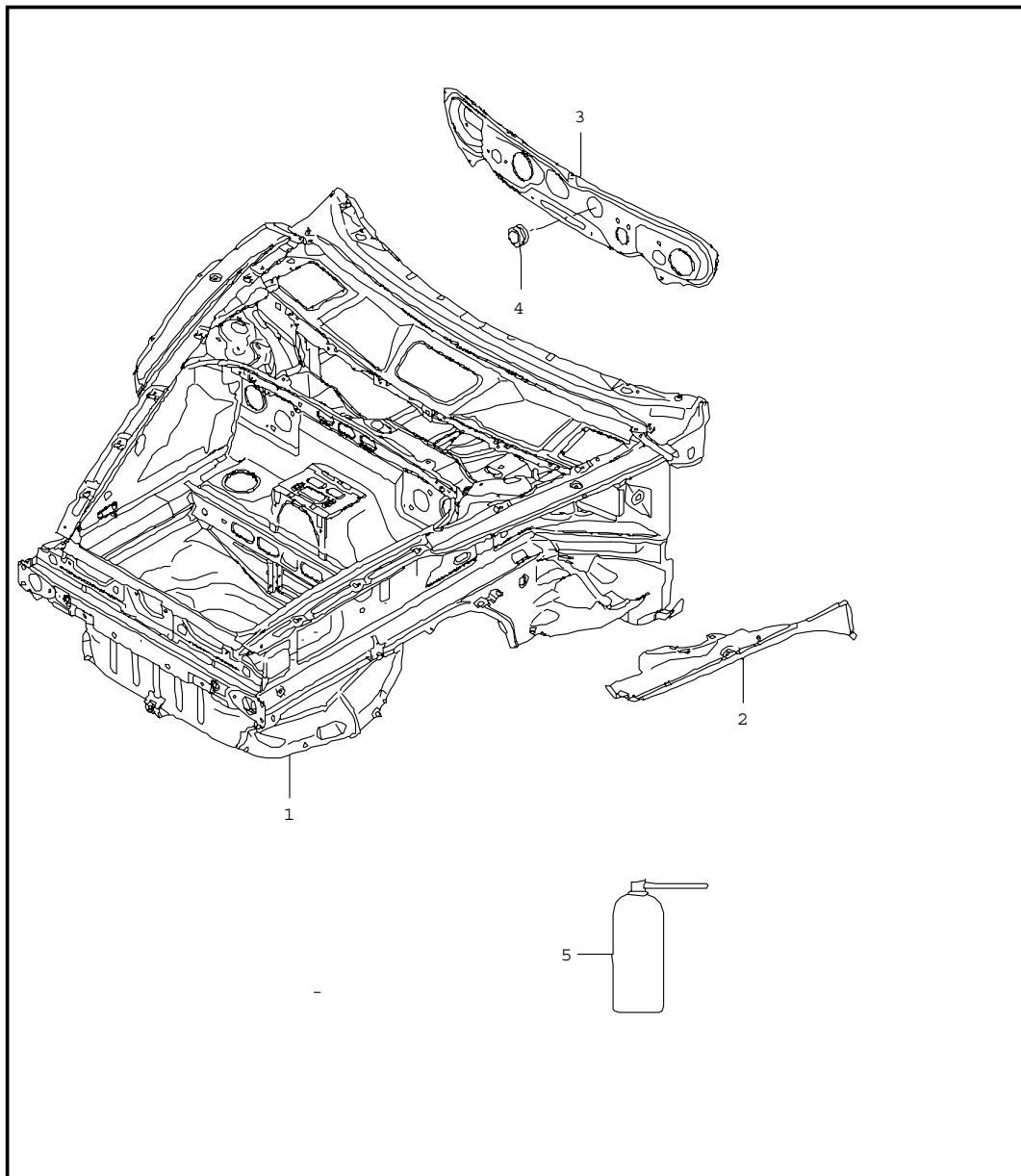
Pos	Part Number	Name	Remarks	Qty	Model
		pedals accelerator control			
1	997 423 019 02	accelerator control		1	I480
(1)	997 423 021 02	accelerator control		1	I249
2	900 146 161 09	round head screw M 6 X 20		1	
- - - E N D - - -					

Model	Year	MG	SG	Illustration	Restrictions	Update	7:39	25.08.2006	PORSCHE	PET	PORSCHE
987	07	8	01	801-00		203					



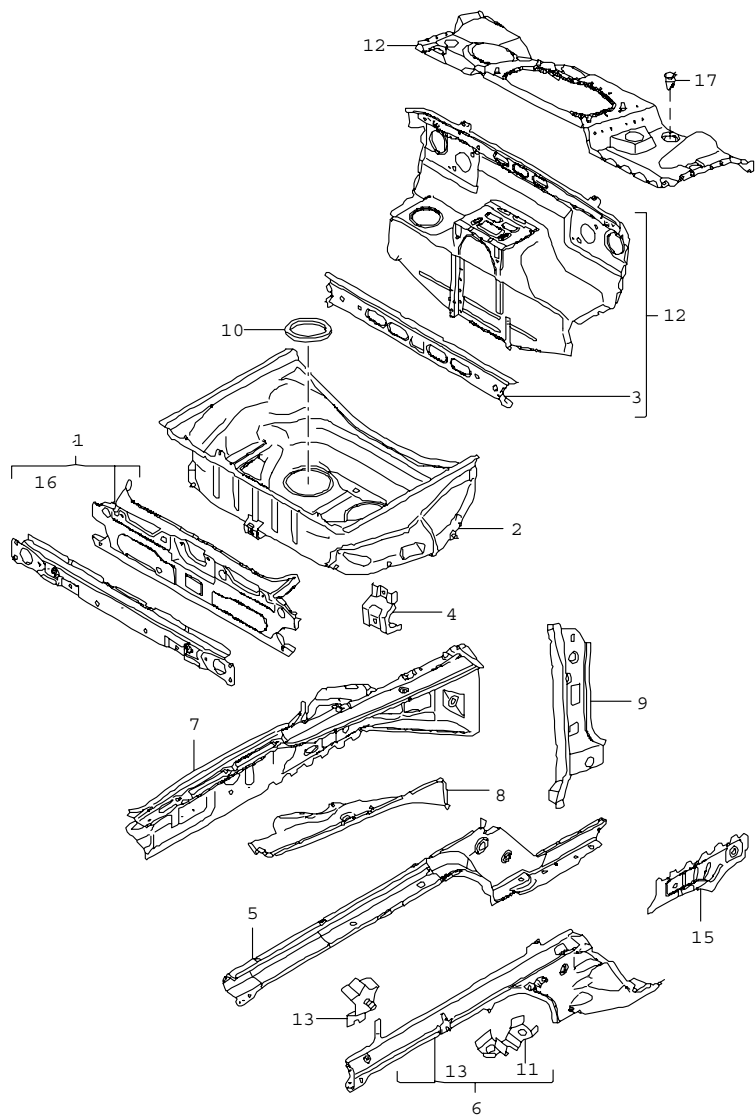
Pos	Part Number	Name	Remarks	Qty	Model
		body in white prime coated sealed with underbody protection with doors/lids/wings			
		bodyshells can only be delivered of the current model year			
		the data (b-f) that you need for your order please find in the data vehicle data bank in on-board folder please indicate this data in your order			
A	-	data bank of the car			
B	-	vehicle identification no.			
C	-	order type			
D	-	country equipment			
E	-	optional extras			
F	-	additional applications			
1	987 500 900 00 GRV	body in white prime coated		1	
		- - - E N D - - -			

Model	Year	MG	SG	Illustration	Restrictions	Update	7:40	25.08.2006	PORSCHE	PET	PORSCHE
987	07	8	01	801-05		203					



Pos	Part Number	Name	Remarks	Qty	Model
1	987 501 911 00	body front section		1	
	GRV	prime coated use also: sealing compound Pos. 5 processing instructions see technical manual			
2	997 501 945 00	bottom half	/L	1	
	GRV	prime coated			
(2)	997 501 946 00	bottom half	/R	1	
	GRV	prime coated			
3	997 504 121 00	cover	/LL	1	I098
(3)	997 504 121 01	cover	/RL	1	I099
		use also:			
---	000 043 300 94	adhesive set		1	
4	999 702 255 41	cover 62,5 X 72,6		1	
5	999 915 337 40	sealing compound		1	
		- - - E N D - - -			

Model	Year	MG	SG	Illustration	Restrictions	Update	7:40	25.08.2006	PORSCHE	PET	PORSCHE
987	07	8	01	801-10		203					

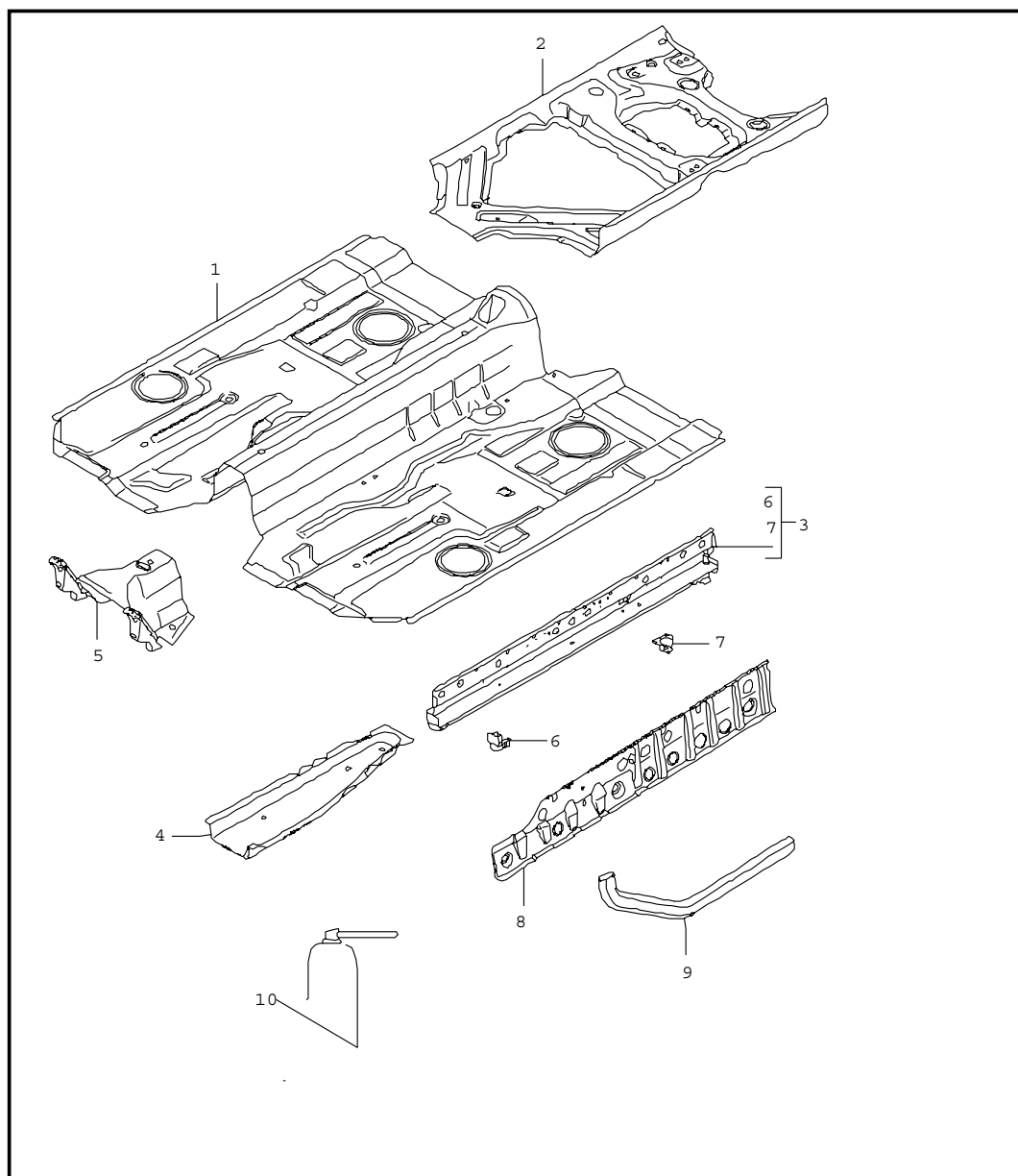


Pos	Part Number	Name	Remarks	Qty	Model
		body front section single parts			
1	997 501 931 00	terminal piece		1	
	GRV	prime coated			
2	987 501 979 00	spare-wheel well		1	
	GRV	prime coated			
3	997 501 649 00	cross member bulkhead		1	
	GRV	prime coated			
4	996 501 621 00	support		3	
	GRV	prime coated			
5	997 501 305 01	side member	/L	1	
	GRV	prime coated			
(5)	997 501 306 01	side member	/R	1	
	GRV	prime coated			
6	997 501 915 00	side member	/L	1	
	GRV	prime coated			
(6)	997 501 916 00	side member	/R	1	
	GRV	prime coated			
7	997 501 935 00	wheel housing	/L	1	
	GRV	prime coated			
(7)	997 501 936 01	wheel housing	/R	1	
	GRV	prime coated			
8	997 501 945 00	bottom half	/L	1	
	GRV	prime coated			
(8)	997 501 946 00	bottom half	/R	1	
	GRV	prime coated			
9	997 501 937 00	hinge pillar	/L	1	
	GRV	prime coated			
9	997 501 938 00	hinge pillar	/R	1	

Model	Year	MG	SG	Illustration	Restrictions	Update	7:40	25.08.2006	PORSCHE	PET	PORSCHE
987	07	8	01	801-10		203					

Pos	Part Number	Name	Remarks	Qty	Model	Pos	Part Number	Name	Remarks	Qty	Model
		GRV prime coated									
10	996 504 201 01	cover \$ 145 MM		2							
11	996 501 815 02	support brake line		2							
		GRV prime coated									
12	997 502 921 00	bulkhead		1							
		GRV prime coated									
13	996 501 341 00	support radiator upper		2							
		GRV prime coated									
14	997 502 017 01	cross panel		1							
		GRV prime coated									
15	997 501 665 01	separator	/L	1							
		GRV prime coated									
(15)	997 501 666 01	separator	/R	1							
		GRV prime coated									
16	997 501 901 00	cross member		1							
		GRV prime coated									
17	999 703 476 40	grommet 29,8 X 1,0		4							
		- - - E N D - - -									

Model	Year	MG	SG	Illustration	Restrictions	Update	7:40	25.08.2006	PORSCHE	PET	PORSCHE
987	07	8	01	801-20		203					

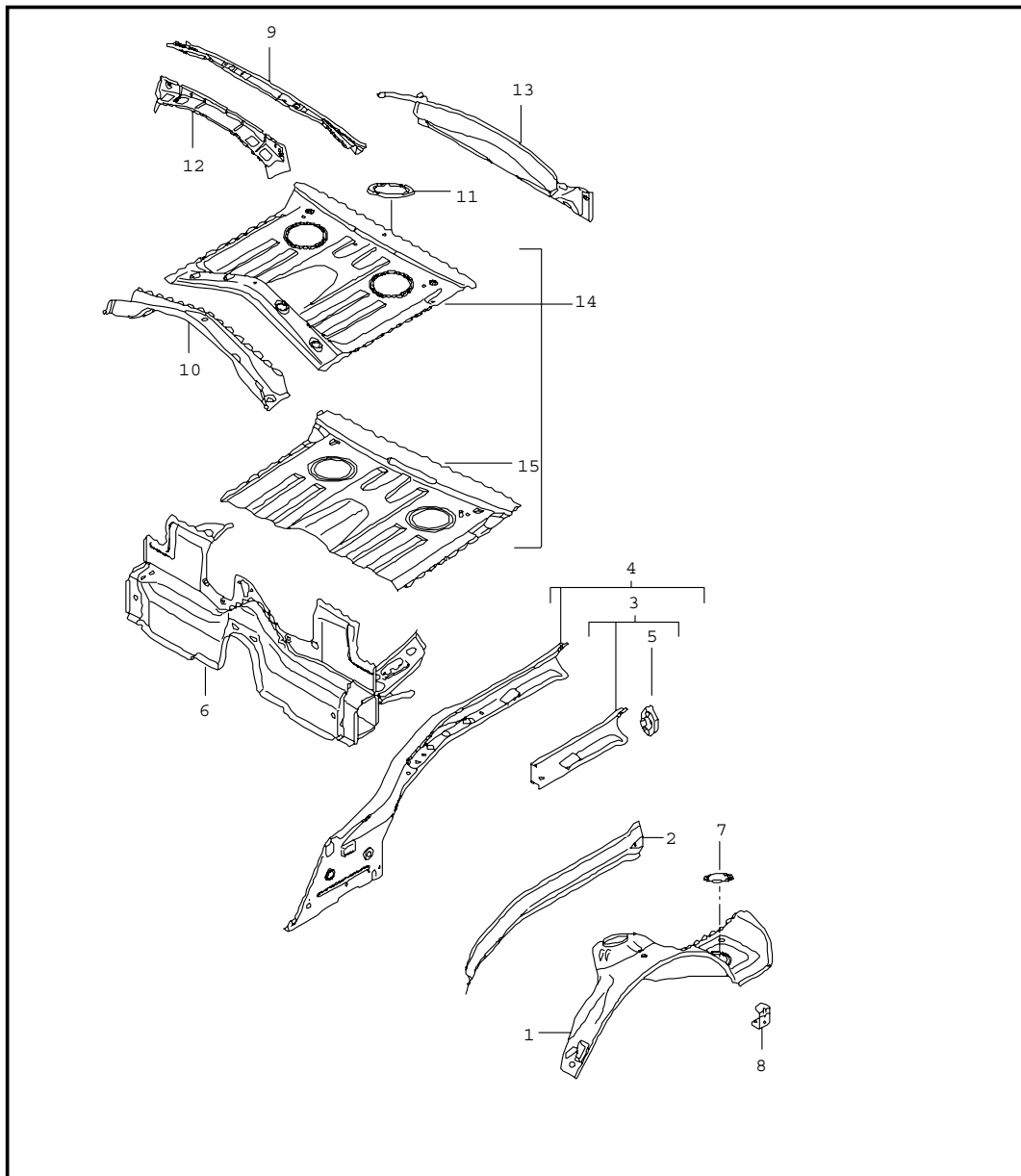


Pos	Part Number	Name	Remarks	Qty	Model
		floor centre			
1	987 501 551 00	floor		1	
	GRV	prime coated			
2	997 501 953 00	seat support	/L	1	
	GRV	prime coated			
(2)	997 501 954 00	seat support	/R	1	
	GRV	prime coated			
3	987 501 957 00	side member	/L	1	
	GRV	prime coated			
(3)	987 501 958 00	side member	/R	1	
	GRV	prime coated			
4	997 501 525 00	side member	/L	1	
	GRV	prime coated			
(4)	997 501 526 00	side member	/R	1	
	GRV	prime coated			
5	996 501 751 00	extension		1	
	GRV	prime coated			
6	996 501 785 00	jacking point	/L/V	1	
	GRV	prime coated			
(6)	996 501 786 00	jacking point	/R/V	1	
	GRV	prime coated			
7	996 501 481 01	jacking point	/L/H	1	
	GRV	prime coated			
(7)	996 501 482 01	jacking point	/R/H	1	
	GRV	prime coated			
8	997 501 329 00	retaining bracket	/L	1	
	GRV	prime coated			
(8)	997 501 330 00	retaining bracket	/R	1	
	GRV	prime coated			

Model	Year	MG	SG	Illustration	Restrictions	Update					
987	07	8	01	801-20		203	7:40	25.08.2006	PORSCHE	PET	PORSCHE

Pos	Part Number	Name	Remarks	Qty	Model	Pos	Part Number	Name	Remarks	Qty	Model
9	997 501 439 00	support tube		2							
	GRV	prime coated use also: sealing compound Pos. 10 processing instructions see technical manual 51 49 55									
10	999 915 337 40	sealing compound		1							
		- - - E N D - - -									

Model	Year	MG	SG	Illustration	Restrictions	Update	7:40	25.08.2006	PORSCHE	PET	PORSCHE
987	07	8	01	801-35		203					

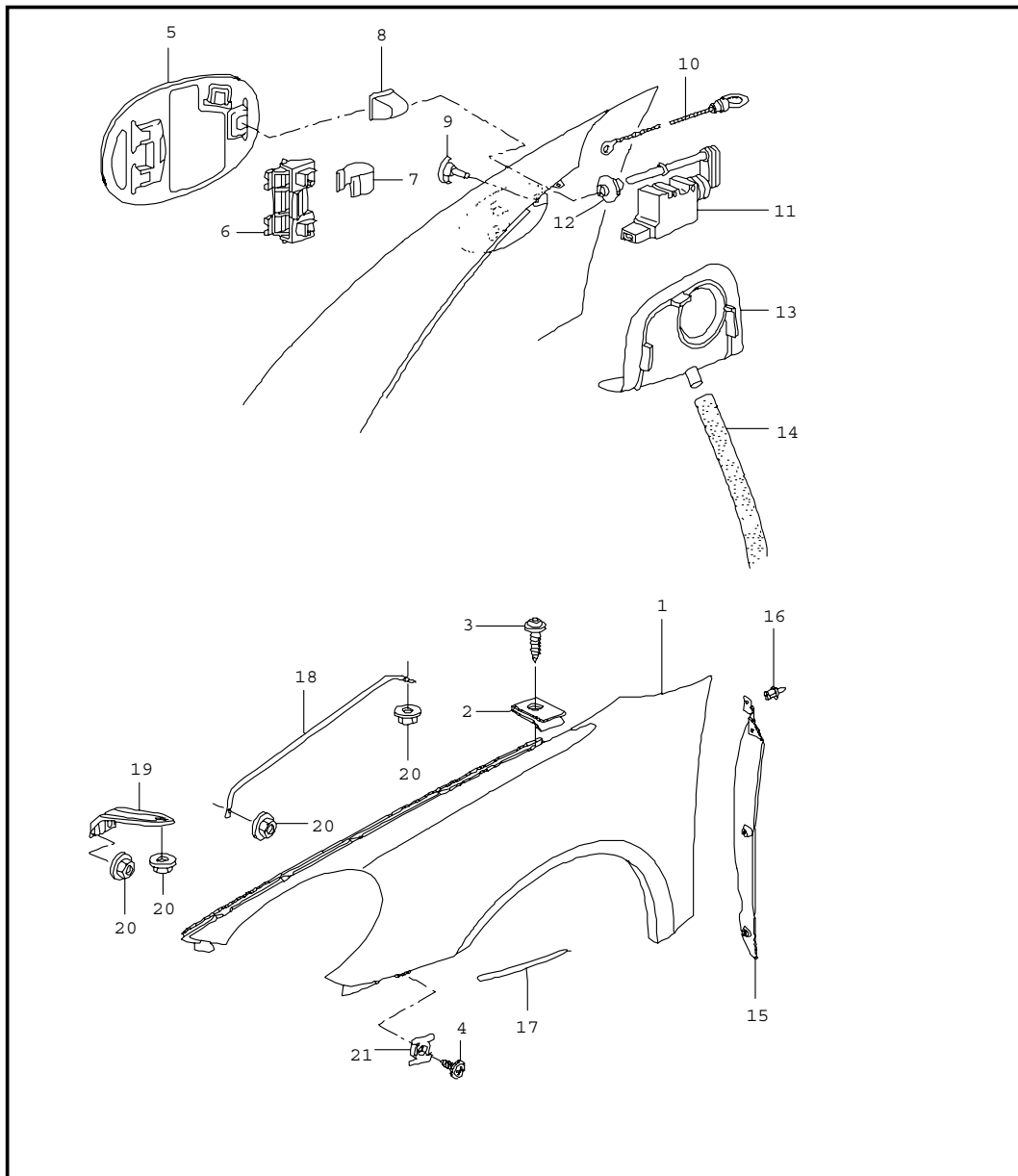


Pos	Part Number	Name	Remarks	Qty	Model
-	000 043 206 29	rear end single parts adhesive set body comprising:		X	
-	000 043 206 30	adhesive		1	
-	000 043 206 31	tool		1	
-	000 043 206 32	mixing tube		1	
-	000 043 206 33	activator		1	
1	987 501 983 00	wheel housing	/L	1	
	GRV	prime coated			
(1)	987 501 984 01	wheel housing	/R	1	
	GRV	prime coated			
2	986 501 995 01	side member	/L	2	
	GRV	prime coated outer			
(2)	986 501 996 01	side member	/R	2	
	GRV	prime coated outer			
3	986 501 977 00	side member	/L	1	
	GRV	prime coated inner sub-part see workshop manual			
(3)	987 501 978 00	side member	/R	1	
	GRV	prime coated inner sub-part see workshop manual			
4	987 501 177 00	side member	/L	1	
	GRV	prime coated inner			
(4)	987 501 178 00	side member	/R	1	
	GRV	prime coated inner			
5	996 501 377 01	mounting		2	

Model	Year	MG	SG	Illustration	Restrictions	Update	7:40	25.08.2006	PORSCHE	PET	PORSCHE
987	07	8	01	801-35		203					

Pos	Part Number	Name	Remarks	Qty	Model	Pos	Part Number	Name	Remarks	Qty	Model
		GRV prime coated									
6	987 501 191 00	bulkhead		1							
		GRV prime coated									
7	996 504 209 01	cover 100 MM		2							
8	986 501 613 00	support		1							
		GRV prime coated									
9	987 502 685 00	bracket		1							
		GRV prime coated side section									
10	986 501 575 00	cross member		1							
		GRV prime coated rear axle									
11	996 504 201 01	cover 145 MM		2							
12	986 502 673 01	cross member		1							
		GRV prime coated									
13	987 501 243 00	terminal piece		1							
		GRV prime coated									
14	986 501 471 00	floor section		1							
		GRV prime coated									
15	986 501 971 00	boot floor plate		1							
		GRV prime coated									
		- - - E N D - - -									

Model	Year	MG	SG	Illustration	Restrictions	Update	7:41	25.08.2006	PORSCHE	PET	PORSCHE
987	07	8	01	801-40		203					

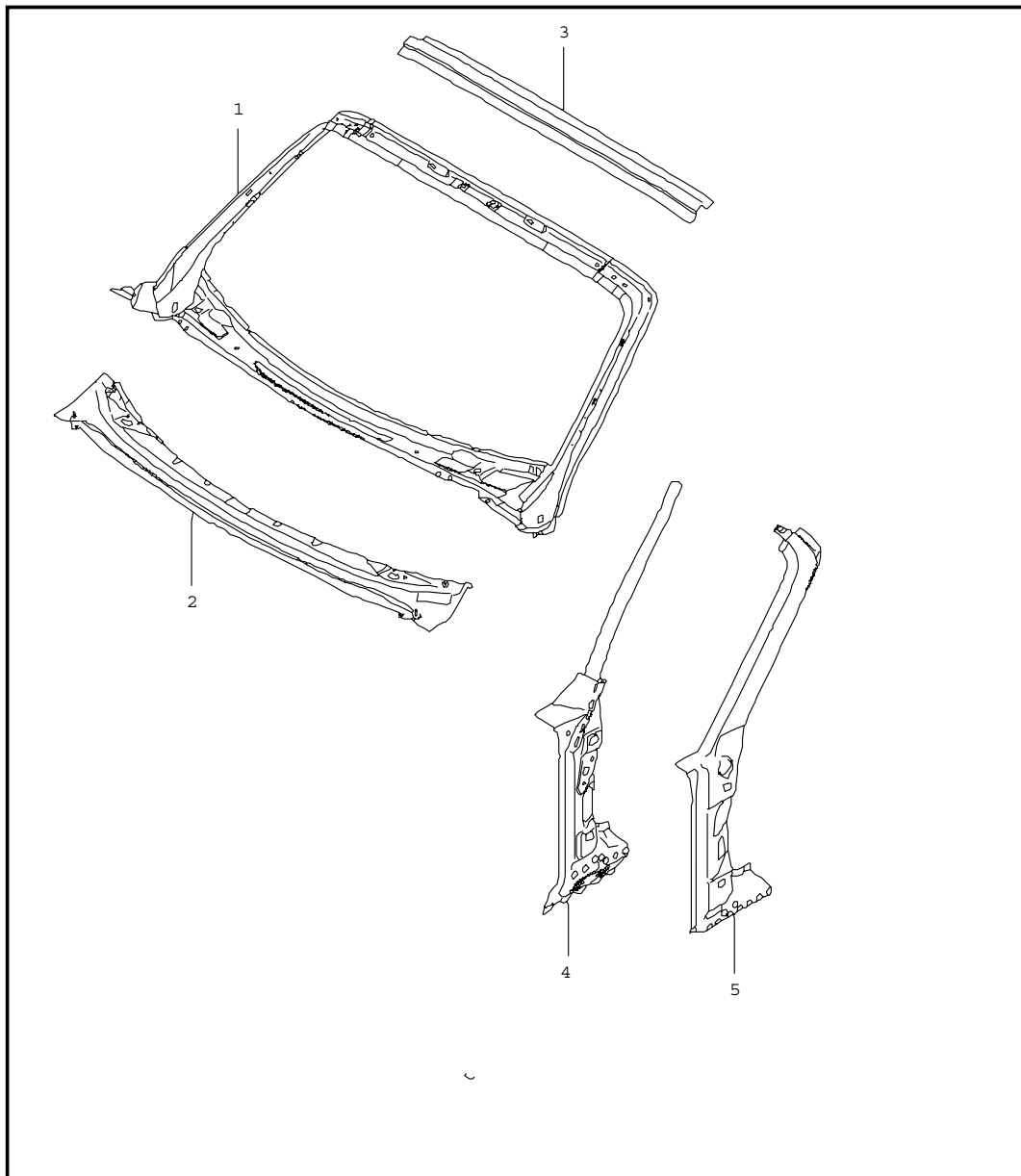


Pos	Part Number	Name	Remarks	Qty	Model
1	987 503 031 00	wing	/L	1	
		GRV prime coated			
(1)	987 503 032 00	wing	/R	1	
		GRV prime coated			
(1)	987 503 032 01	wing	/R	1	I461
		GRV prime coated			
2	999 507 003 02	speed nut ST 6,3		18	
3	999 073 128 02	tapping screw ST 6,3 X 14		10	
4	900 187 111 02	screw ST 6,3 X 12		8	
5	987 504 134 00	fuel filler flap		1	
		GRV prime coated			
6	996 201 063 00	hinge		1	
7	996 201 413 01	spring		1	
8	996 201 423 00	cap		1	
9	997 504 888 01	rubber stop		1	
10	996 201 493 00	emergency operation		1	
11	997 624 113 00	actuator		1	
12	996 624 505 02	guide rose		1	
13	996 201 667 01	sleeve		1	
14	996 201 153 00	hose		1	
15	997 504 641 01	cover	/L	1	
		01C black			
(15)	997 504 642 01	cover	/R	1	
		01C black			
16	999 591 712 40	expansion rivet A 6,0 X 12,0		6	
17	987 504 531 00	protective film	/L	1	

Model	Year	MG	SG	Illustration	Restrictions	Update					
987	07	8	01	801-40		203	7:41	25.08.2006	PORSCHE	PET	PORSCHE

Pos	Part Number	Name	Remarks	Qty	Model	Pos	Part Number	Name	Remarks	Qty	Model
(17)	987 504 532 00	protective film	/R	1							
18	997 504 441 00	strut		2							
	GRV	prime coated									
19	997 504 555 00	support		2							
	GRV	prime coated									
20	999 076 066 09	hexagon nut		10							
		M 6									
21	999 507 590 02	captive nut		6							
		ST 4,8									
-	000 043 204 85	cavity preservation		X							
		400 ML									
		- - - E N D - - -									

Model	Year	MG	SG	Illustration	Restrictions	Update	7:41	25.08.2006	PORSCHE	PET	PORSCHE
987	07	8	01	801-45		203					

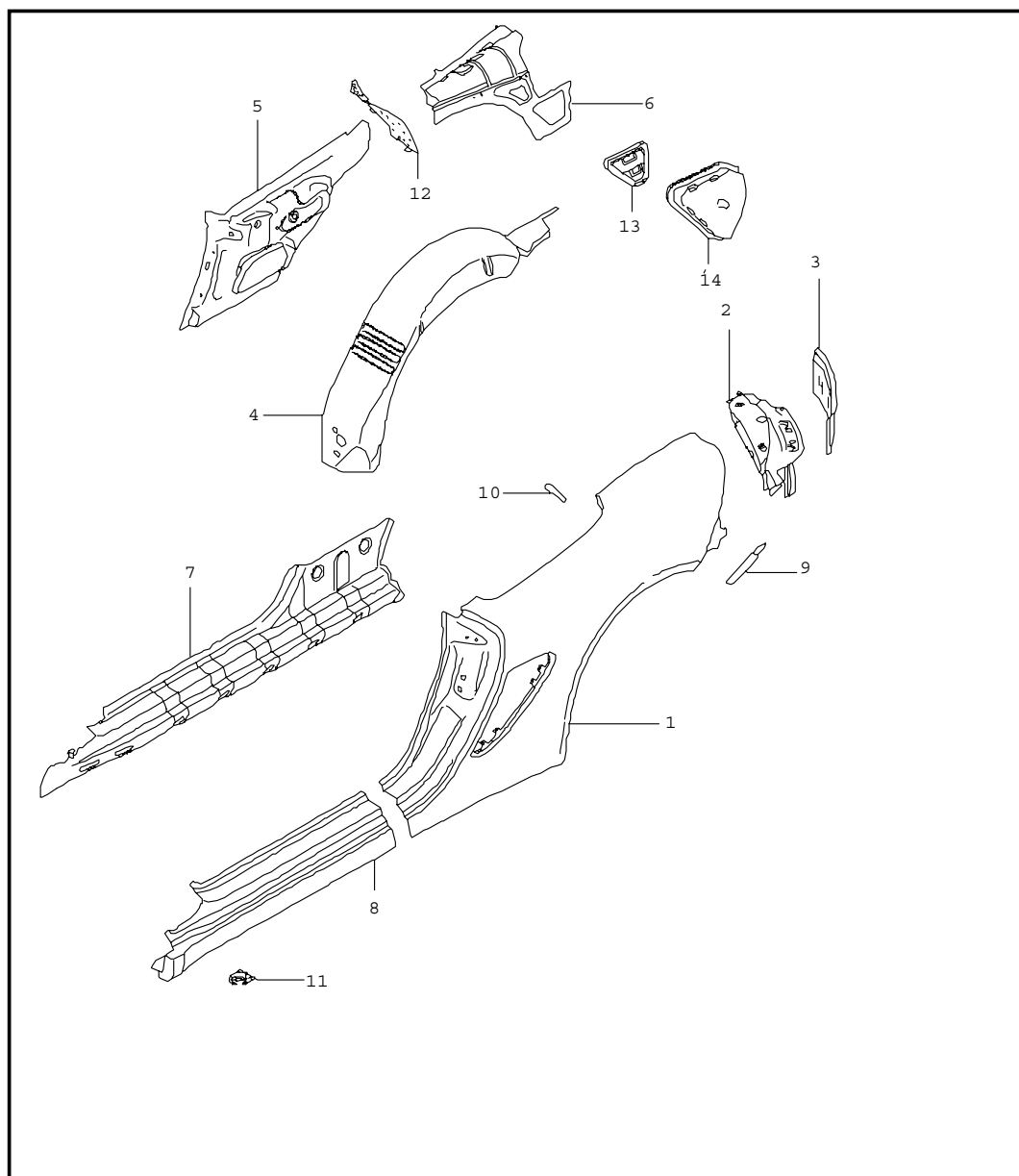


Pos	Part Number	Name	Remarks	Qty	Model
1	987 502 137 00	cowl		1	
	GRV	prime coated inner			
2	997 502 527 00	cowl		1	
	GRV	prime coated outer			
3	987 502 529 00	cowl		1	
	GRV	prime coated outer			
4	987 502 135 01	reinforcement	/L	1	
	GRV	prime coated use also:			
(4)	987 502 136 01	reinforcement	/R	1	
	GRV	prime coated use also:			
-	000 043 206 29	adhesive set body comprising:		X	
-	000 043 206 30	adhesive		1	
-	000 043 206 31	tool		1	
-	000 043 206 32	tool		1	
-	000 043 206 33	activator		1	
5	987 502 335 00	hinge pillar	/L	1	
	GRV	prime coated use also:			
(5)	987 502 336 00	hinge pillar	/R	1	
	GRV	prime coated use also:			
-	000 043 206 29	adhesive set body comprising:		X	
-	000 043 206 30	adhesive		1	
-	000 043 206 31	tool		1	
-	000 043 206 32	tool		1	

Model	Year	MG	SG	Illustration	Restrictions	Update					
987	07	8	01	801-45		203	7:41	25.08.2006	PORSCHE	PET	PORSCHE

Pos	Part Number	Name	Remarks	Qty	Model	Pos	Part Number	Name	Remarks	Qty	Model
-	000 043 206 33	activator		1							
		- - - E N D - - -									

Model	Year	MG	SG	Illustration	Restrictions	Update	7:41	25.08.2006	PORSCHE	PET	PORSCHE
987	07	8	01	801-50		203					

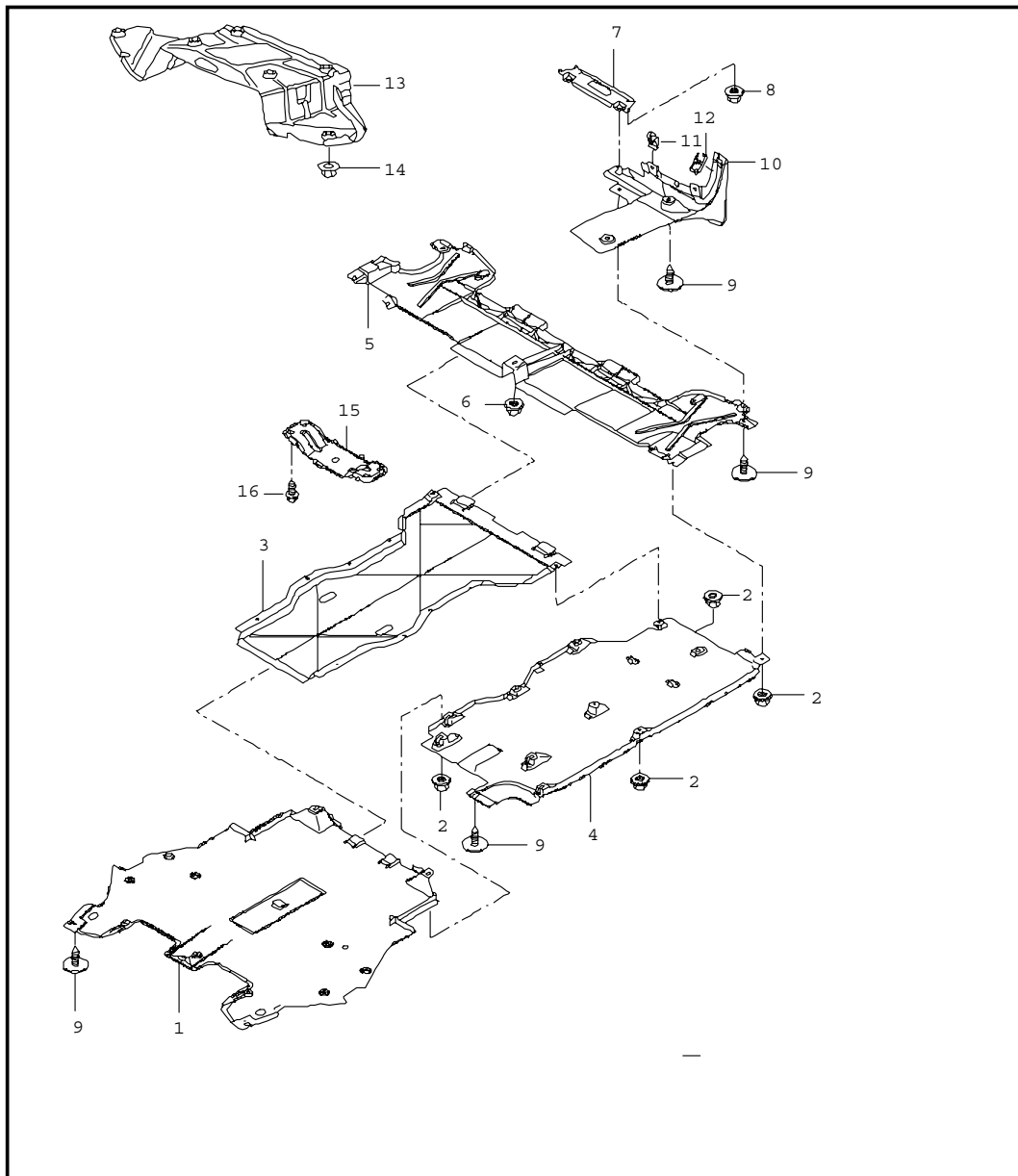


Pos	Part Number	Name	Remarks	Qty	Model
1	987 503 961 02	side section		1	
		side section	/L		
		GRV	prime coated		
(1)	987 503 962 02	side section	/R	1	
		GRV	prime coated		
		use also:			
-	999 915 650 40	adhesive		X	
		teromix 6700			
-	000 043 300 48	tool		X	
		see technical manual			
		group 5			
		53 55 55			
2	987 502 161 00	frame for light	/L	1	
		GRV	prime coated		
(2)	987 502 162 00	frame for light	/R	1	
		GRV	prime coated		
3	987 501 651 00	corner panel	/L	1	
		GRV	prime coated		
(3)	987 501 652 00	corner panel	/R	1	
		GRV	prime coated		
4	987 502 515 00	wheel housing	/L	1	
		GRV	prime coated		
(4)	987 502 516 00	wheel housing	/R	1	
		GRV	prime coated		
5	987 502 083 00	side section	/L	1	
		GRV	prime coated		
(5)	987 502 084 00	side section	/R	1	
		GRV	prime coated		
6	986 502 085 00	side section	/L	1	
		GRV	prime coated		
(6)	986 502 106 00	side section	/R	1	

Model	Year	MG	SG	Illustration	Restrictions	Update					
987	07	8	01	801-50		203	7:41	25.08.2006	PORSCHE	PET	PORSCHE

Pos	Part Number	Name	Remarks	Qty	Model	Pos	Part Number	Name	Remarks	Qty	Model
		GRV prime coated									
7	986 502 163 02	reinforcement door sill	/L	1							
		GRV prime coated use also:									
(7)	986 502 164 01	reinforcement door sill	/R	1							
		GRV prime coated use also:									
-	000 043 206 29	adhesive set body comprising:		X							
-	000 043 206 30	adhesive		1							
-	000 043 206 31	tool		1							
-	000 043 206 32	tool		1							
-	000 043 206 33	activator		1							
8	987 503 963 02	door sill	/L	1							
		GRV prime coated									
(8)	987 503 964 02	door sill	/R	1							
		GRV prime coated									
9	987 504 631 00	protective film	/L	2							
10	996 537 237 00	protective film		2							
11	999 703 475 40	drain tube door sill		2							
12	987 504 901 00	seal see technical manual group 5 53 55 55		2							
13	986 572 043 02	bleeding	/L	1							
(13)	986 572 044 00	bleeding	/R	1							
14	986 572 643 01	air-guide cowl bleeding	/L	1							
(14)	986 572 644 01	air-guide cowl bleeding	/R	1							
		- - - E N D - - -									

Model	Year	MG	SG	Illustration	Restrictions	Update	7:41	25.08.2006	PORSCHE	PET	PORSCHE
987	07	8	01	801-70		203					

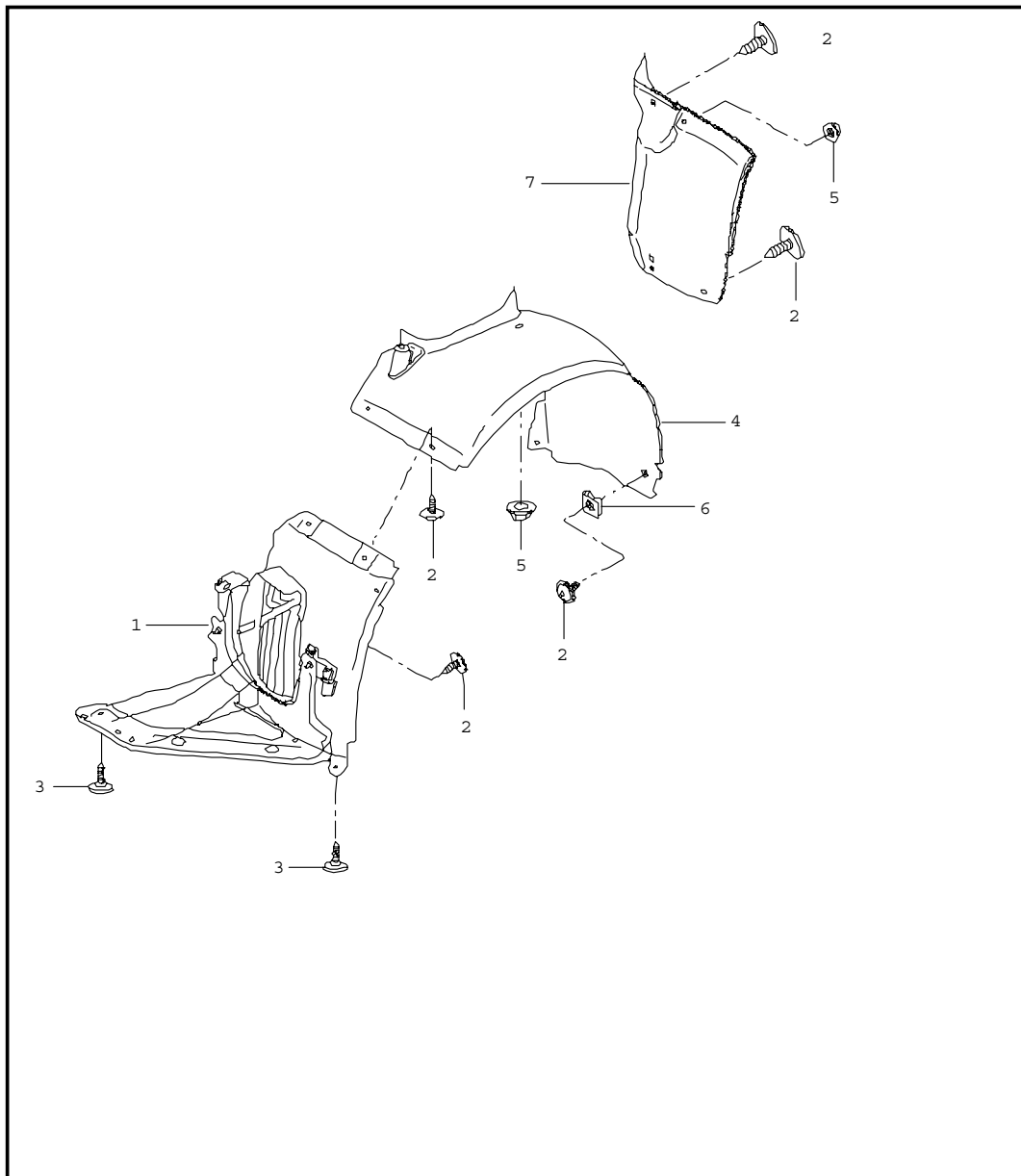


Pos	Part Number	Name	Remarks	Qty	Model
		linings underbody			
1	997 504 527 02	cover front		1	
2	999 049 028 40	plastic nut T 5/22 X 10		33	
3	997 504 043 00	cover centre		1	
4	997 504 343 01	cover	/L	1	
(4)	997 504 344 01	cover centre	/R	1	
5	987 504 129 00	cover rear		1	
6	999 076 068 09	hexagon nut M 6		1	
7	987 504 571 00	support cover rear		2	
8	999 084 212 02	hexagon nut M 6		2	
9	999 073 231 09	tapping screw ST 4,8 X 16		X	
10	987 504 793 00	cover	/L	1	
		01C satin black			
(10)	987 504 794 00	cover	/R	1	
		01C satin black			
11	999 507 795 09	speed nut ST 4,8		2	
12	987 504 635 00	clamp	/L	1	
(12)	987 504 636 00	clamp cover	/R	1 1	
13	987 504 405 00	heat protection		1	
14	999 049 025 09	hexagon nut T 5		7	
15	997 504 823 01	strut tunnel		1	

Model	Year	MG	SG	Illustration	Restrictions	Update					
987	07	8	01	801-70		203	7:41	25.08.2006	PORSCHE	PET	PORSCHE

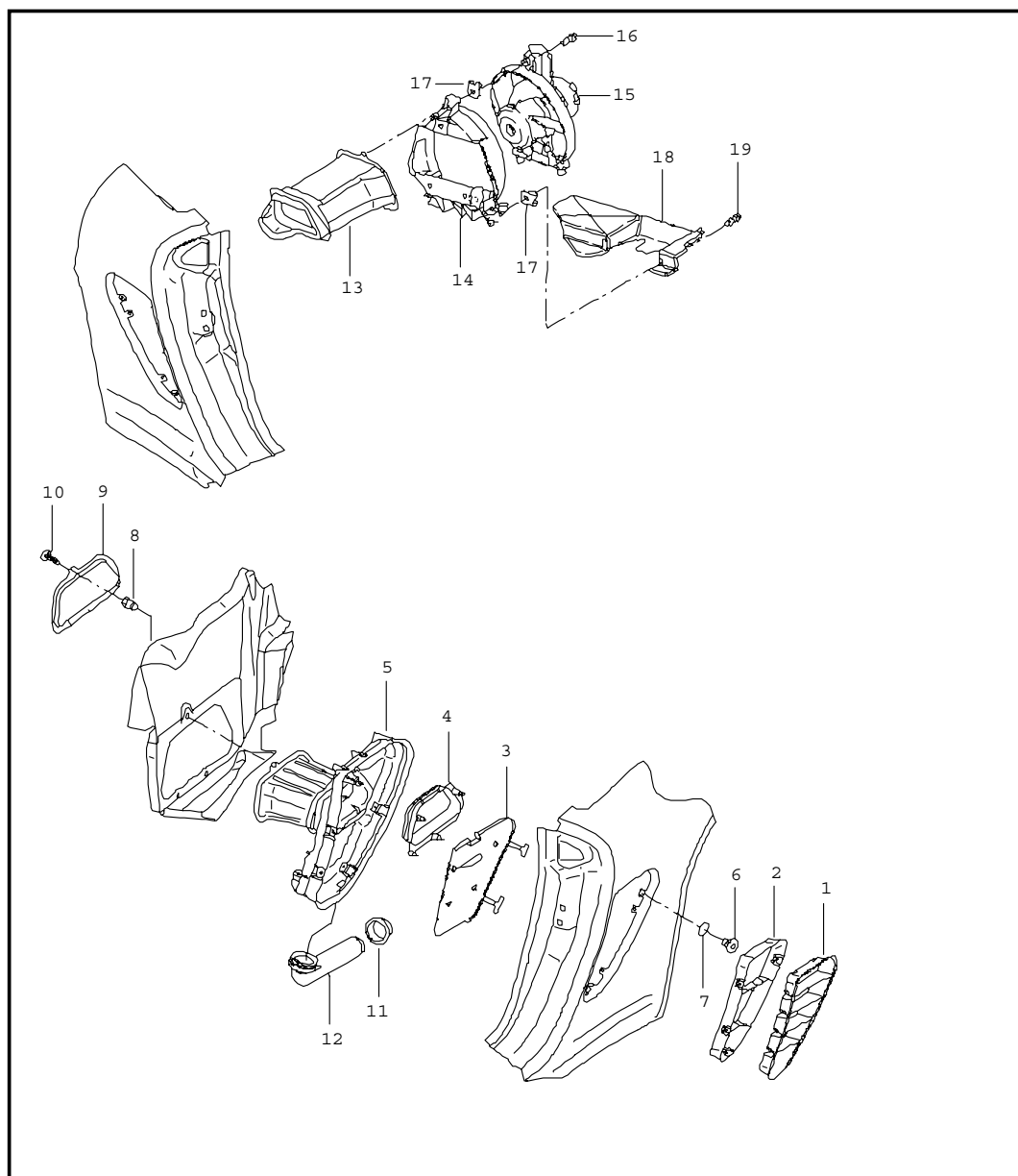
Pos	Part Number	Name	Remarks	Qty	Model	Pos	Part Number	Name	Remarks	Qty	Model
16	900 075 475 09	screw M 10 x 25		4							
		- - - E N D - - -									

Model	Year	MG	SG	Illustration	Restrictions	Update	7:42	25.08.2006	PORSCHE	PET	PORSCHE
987	07	8	01	801-75		203					



Pos	Part Number	Name	Remarks	Qty	Model
		linings for wheel housing			
1	987 504 123 00	wheel-housing liner	/L/V	1	I480/481
(1)	987 504 124 00	wheel-housing liner	/R/V	1	I480/481
(1)	987 504 123 00	wheel-housing liner	/L/V	1	I480
(1)	987 504 124 00	wheel-housing liner	/R/V	1	I480
(1)	987 504 123 03	wheel-housing liner	/L/V	1	I249/BOXSTER
(1)	987 504 124 03	wheel-housing liner	/R/V	1	I249/BOXSTER
(1)	987 504 123 02	wheel-housing liner	/L/V	1	I249 BOXSTER S
(1)	987 504 124 02	wheel-housing liner	/R/V	1	I249 BOXSTER S
2	999 073 231 09	tapping screw ST 4,8 X 16		20	
3	999 073 227 09	tapping screw ST 4,8 X 19		4	
4	987 504 203 00	wheel-housing liner	/V/H	1	
(4)	987 504 204 00	wheel-housing liner	/V/H	1	
5	999 049 028 40	plastic nut T5		10	
6	999 507 795 09	speed nut		2	
7	987 504 573 01	wheel-housing liner	/H/V	1	
(7)	987 504 574 01	wheel-housing liner	/H/V	1	
8	987 504 673 01	heat protection	/L	1	
(8)	987 504 674 01	heat protection brake hose	/R	1	
9	999 507 795 09	speed nut		2	
- - - E N D - - -					

Model	Year	MG	SG	Illustration	Restrictions	Update	7:42	25.08.2006	PORSCHE	PET	PORSCHE
987	07	8	01	801-80		203					

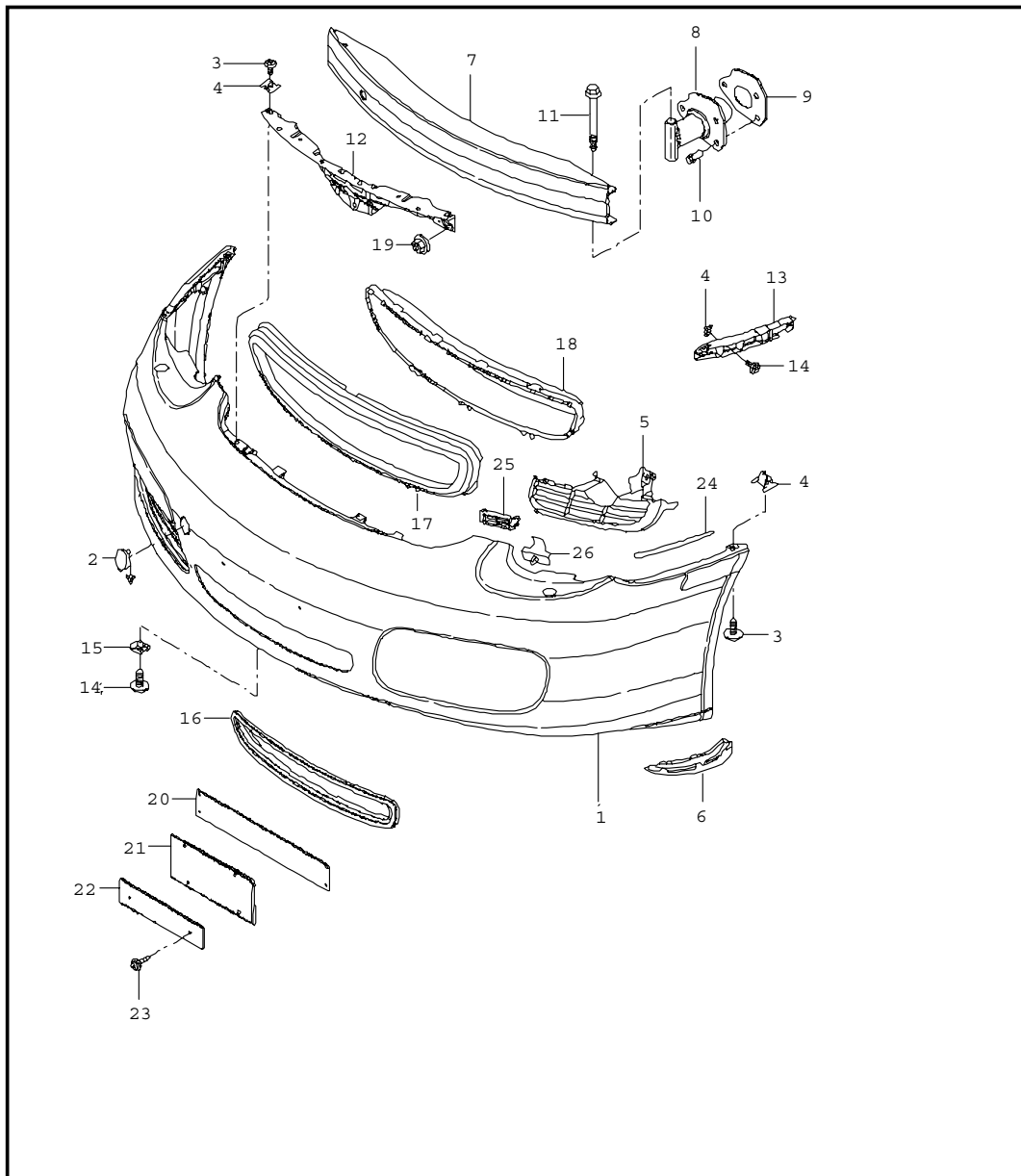


Pos	Part Number	Name	Remarks	Qty	Model
		ventilation engine compartment			
1	987 504 561 01	ventilation grille	/L	1	
	9B1	titanium metallic			
(1)	987 504 562 01	ventilation grille	/R	1	
	9B1	titanium metallic			
2	987 504 749 01	frame	/L	1	
	01C	satin black			
(2)	987 504 750 01	frame	/R	1	
	01C	satin black			
3	987 575 647 01	impact absorber plate	/L	1	
4	987 575 757 00	reinforcement air duct	/L	1	
5	987 575 657 00	air duct inner	/L	1	
6	999 507 585 40	fixing clip		8	
7	999 701 489 40	sealing ring	/L	4	
8	999 500 069 02	blind rivet nut		6	
9	987 575 759 00	support frame air duct		1	
10	900 075 413 09	screw M 6 X 16		3	
11	999 702 288 40	grommet 32,5 X 20	/L	1	
12	987 504 431 00	water drain tube	/L	1	
13	987 575 360 01	air duct	/R	1	
14	986 575 356 00	connecting dome	/R	1	
15	986 624 036 00	blower	/R	1	
16	900 075 333 02	hexagon-head bolt M 6 X 25		3	
17	999 507 550 02	speed nut M 6		3	
18	986 575 756 02	air duct	/R	1	

Model	Year	MG	SG	Illustration	Restrictions	Update					
987	07	8	01	801-80		203	7:42	25.08.2006	PORSCHE	PET	PORSCHE

Pos	Part Number	Name	Remarks	Qty	Model	Pos	Part Number	Name	Remarks	Qty	Model
19	900 378 036 09	hexagon-head bolt M 6 X 12		1							
		- - - E N D - - -									

Model	Year	MG	SG	Illustration	Restrictions	Update	7:42	25.08.2006	PORSCHE	PET	PORSCHE
987	07	8	02	802-00		203					

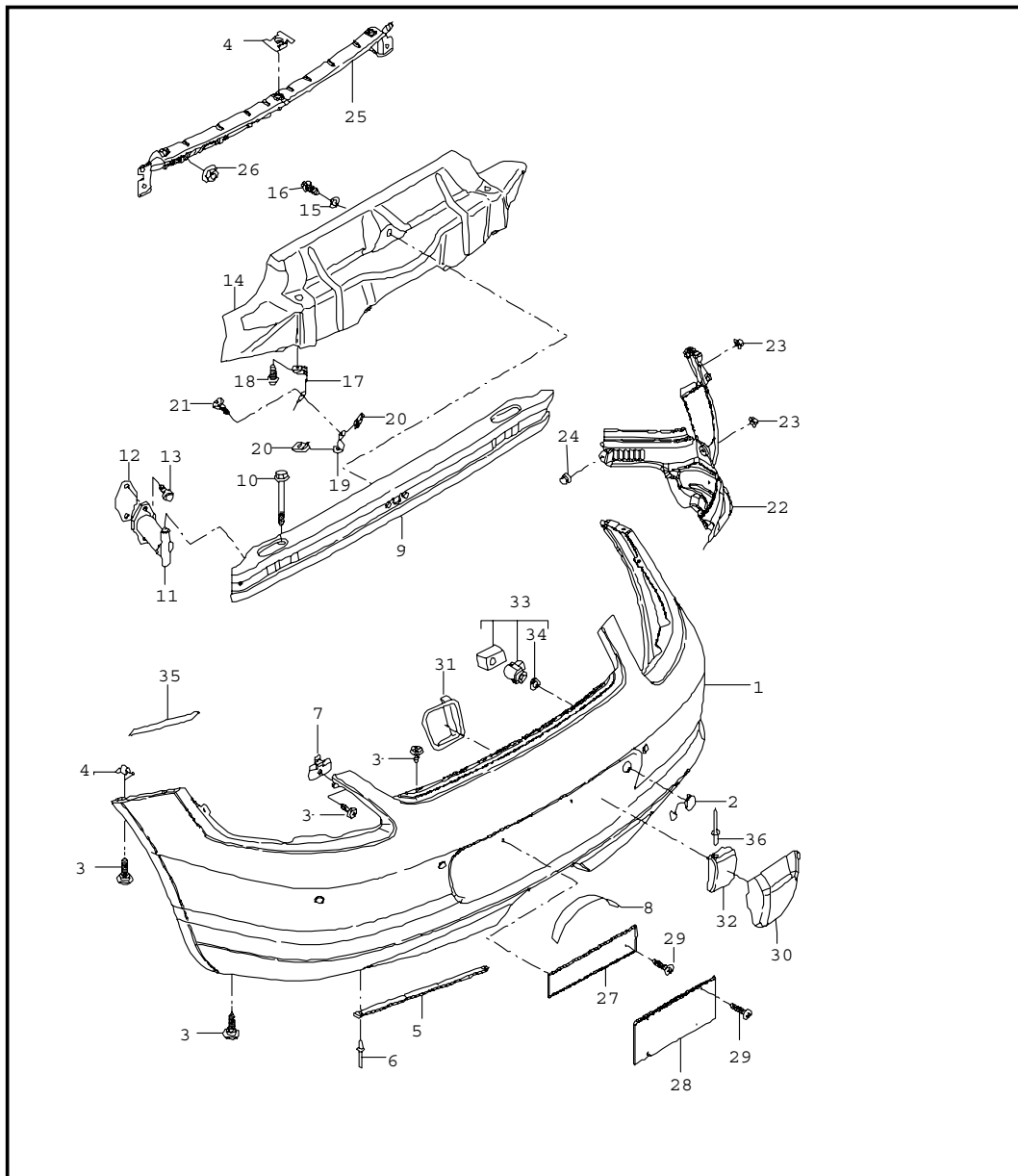


Pos	Part Number	Name	Remarks	Qty	Model
		bumper front			
(1)	987 505 901 00	lining		1	BOXSTER
		G2X prime coated			
(1)	987 505 901 01	lining		1	I288/BOXSTER
		G2X prime coated			
1	987 505 901 02	lining		1	I249 BOXSTER S
		G2X prime coated			
(1)	987 505 901 03	lining		1	I288/249 BOXSTER S
		G2X prime coated			
(1)	987 505 901 04	lining		1	I480 BOXSTER S
		G2X prime coated			
(1)	987 505 901 05	lining		1	I288/480 BOXSTER S
		G2X prime coated			
2	987 505 703 00	cap		1	
		G2X prime coated			
3	999 073 227 09	tapping screw		10	
4	999 507 590 02	speed nut		X	
5	987 505 553 00	grille frame	/L	1	BOXSTER
		01C satin black			
(5)	987 505 554 00	grille frame	/R	1	BOXSTER
		01C satin black			
(5)	987 505 553 01	grille frame	/L	1	BOXSTER S
		FNP titanium metallic			
(5)	987 505 554 01	grille frame	/R	1	BOXSTER S
		FNP titanium metallic			
(6)	987 505 525 00	cover	/L	1	
		01C satin black			

Model	Year	MG	SG	Illustration	Restrictions	Update					
987	07	8	02	802-00		203	7:42	25.08.2006	PORSCHE	PET	PORSCHE

Pos	Part Number	Name	Remarks	Qty	Model	Pos	Part Number	Name	Remarks	Qty	Model
(6)	987 505 526 00	cover	/R	1		23	999 919 228 A2	screw 5,0X28,0		X	
	01C	satin black				(23)	999 919 227 A2	screw 5,0X13,0		X	
7	997 505 141 00	bumper reinforcement		1		24	987 504 531 00	protective film	/L	1	
8	997 505 319 00	impact absorber		2		(24)	987 504 532 00	protective film	/R	1	
9	997 505 751 02	seal impact absorber		2		25	987 505 719 00	fixing device		2	
10	900 378 267 09	hexagon-head bolt M8X30		6		26	987 505 709 00	guide plate		2	
11	900 378 088 09	hexagon-head bolt M12X100		2				- - - E N D - - -			
12	997 505 531 00	retaining strip centre		1							
13	987 505 535 01	retaining strip	/L	1							
(13)	987 505 536 01	retaining strip	/R	1							
14	999 073 314 09	tapping screw ST4,8 X 16-C		4							
-	999 591 387 02	clamping washer		10							
15	999 591 699 02	speed nut ST 4,8		1							
16	987 505 551 00	cover		1	BOXSTER S						
	G2X	prime coated									
17	987 505 555 00	retaining frame		1	I249						
	01C	satin black			BOXSTER S						
18	987 505 751 01	cover		1	I480						
	01C	air inlet centre			BOXSTER S						
19	999 076 078 09	hexagon nut M 6		3							
20	987 701 105 00	support number plate		1	I211						
	01C	black									
22	987 701 109 00	support number plate		1	I210						
	01C	black									

Model	Year	MG	SG	Illustration	Restrictions	Update			PORSCHE	PET	PORSCHE
987	07	8	02	802-05		203	7:42	25.08.2006			

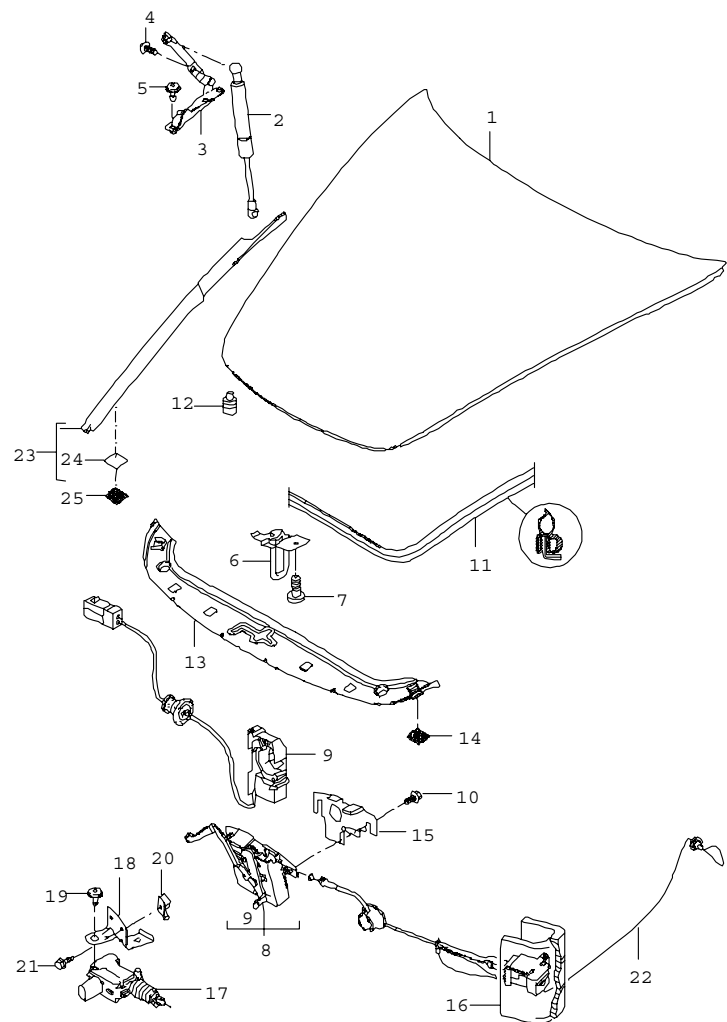


Pos	Part Number	Name	Remarks	Qty	Model
1	987 505 411 00	bumper rear		1	
		lining			
		G2X prime coated			
1	987 505 911 00	lining		1	I635
		G2X prime coated			
2	997 505 803 00	cap		1	
		G2X prime coated			
3	999 073 227 09	tapping screw ST 4,8 X 19		15	
4	999 507 590 02	speed nut ST 4,8		7	
5	987 505 837 00	retaining strip		2	
6	999 190 104 30	blind rivet 3,2 X 7,9		4	
7	987 505 815 00	retainer plate		2	
8	987 505 811 00	cover plate		1	
		9B1 titanium metallic			
9	987 505 241 00	bracket bumper		1	
10	900 378 088 09	hexagon-head bolt M 12 X 1,5 X 100		2	
11	996 505 019 01	impact pipe		2	
(11)	996 505 015 00	impact absorber		2	I113
12	996 505 775 00	seal impact absorber		2	
(12)	996 505 775 01	seal impact absorber		2	I113
13	900 378 267 09	hexagon-head bolt M 8 X 30		4	
14	987 505 475 00	heat protection centre		1	
15	999 025 243 02	spacer sleeve 5,0X1,0		1	

Model	Year	MG	SG	Illustration	Restrictions	Update	7:42	25.08.2006	PORSCHE	PET	PORSCHE
987	07	8	02	802-05		203					

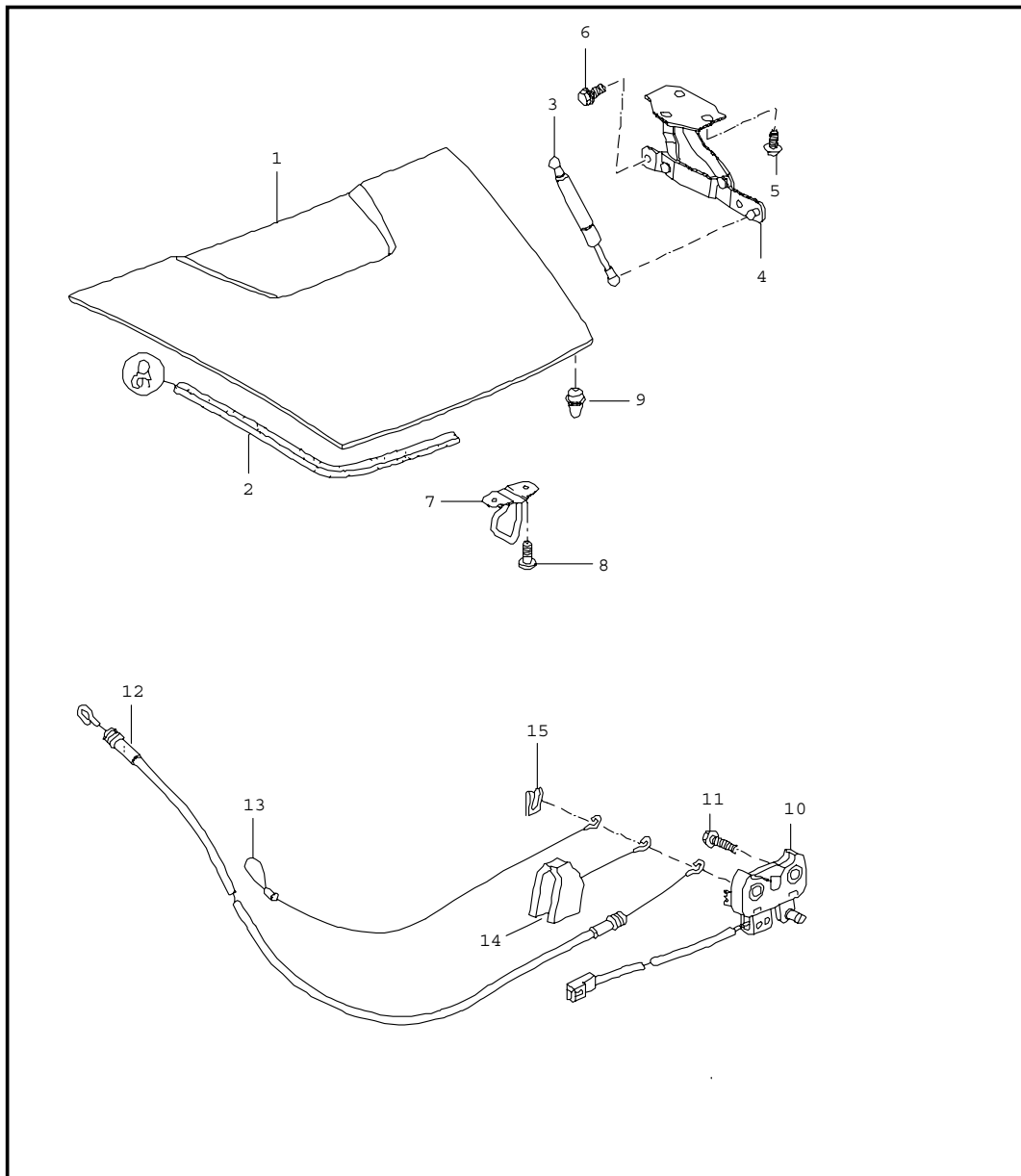
Pos	Part Number	Name	Remarks	Qty	Model	Pos	Part Number	Name	Remarks	Qty	Model
16	900 278 025 02	hexagon-head bolt M5X12		1				- - - E N D - - -			
17	987 505 639 00	rear support		2							
18	999 075 056 09	screw M 6 X 22		2							
19	996 505 649 01	angular plate rear support		2							
20	999 507 795 09	speed nut ST4,8		4							
21	999 073 314 09	tapping screw ST4,8X16-C		2							
(22)	987 505 631 00	wheel-housing liner	/L	1							
22	987 505 632 00	wheel-housing liner	/R	1							
23	999 076 078 09	hexagon nut M 6		6							
24	999 049 028 40	plastic nut T5/22 X 10		4							
25	987 505 841 00	attachment strip		1							
26	999 076 078 09	hexagon nut M 6		5							
27	987 701 105 00	support number plate		1	I211						
	01C	black									
(27)	987 701 107 00	support number plate		1	I210						
	01C	black									
29	999 919 227 A2	tapping screw support		4	I210/211						
(29)	999 919 227 A2	tapping screw number plate 5 X 13 support		8	I218						
33	955 606 275 01	sensor park distance control		4	I635						
34	7L6 919 659	sealing ring sensor		4							
35	987 504 631 00	protective film		2							

Model	Year	MG	SG	Illustration	Restrictions	Update	7:42	25.08.2006	PORSCHE	PET	PORSCHE
987	07	8	03	803-00		203					



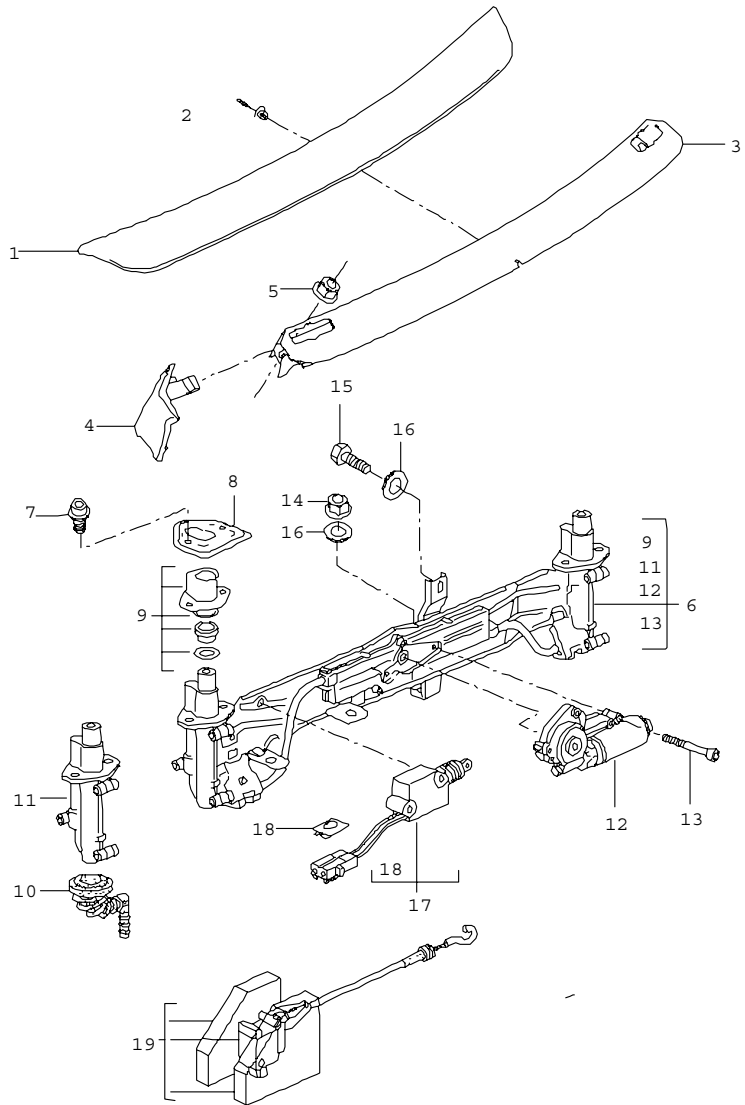
Pos	Part Number	Name	Remarks	Qty	Model
		cover front			
1	997 511 011 00	cover		1	
	GRV	prime coated			
2	997 511 551 01	gas-filled strut		2	
(3)	997 511 151 00	hinge	/L	1	
3	997 511 152 00	hinge	/R	1	
4	999 073 357 09	oval-head screw M 6 X 12		4	
5	999 073 348 09	oval-head screw M 6 X 20		4	
6	997 511 051 00	lock upper part		1	
7	999 073 350 04	round head screw M 6 X 16		2	
8	997 511 053 00	lock lower part		1	
9	997 613 206 00	microswitch		1	
10	900 075 466 09	screw M 6 X 16		2	
11	997 511 611 00	gasket		1	
12	999 703 140 41	buffer		2	
13	997 504 811 01	trim		1	
	FMT	black			
14	999 902 049 40	velcro fastener		4	
15	996 511 653 00	cover		1	
16	997 511 117 00	actuator		1	
		- - - E N D - - -			

Model	Year	MG	SG	Illustration	Restrictions	Update				
987	07	8	03	803-05		203	7:43	25.08.2006	PORSCHE	PET
									PORSCHE	PORSCHE



Pos	Part Number	Name	Remarks	Qty	Model
		cover rear			
1	987 512 011 00	cover		1	
	GRV	prime coated			
		use also:			
-	000 043 204 38	sealing material		1	
2	987 512 611 01	gasket cover		1	
3	987 512 551 01	gas-filled strut		1	
(4)	987 512 151 00	hinge	/L	1	
4	987 512 152 00	hinge	/R	1	
5	900 075 469 02	screw M 6 X 22		4	
6	900 378 155 09	hexagon-head bolt M 6 X 16		4	
7	987 512 051 00	lock upper part		1	
8	999 073 350 04	round head screw M 6 X 16		2	
9	987 512 987 00	buffer		2	
10	987 512 053 01	lock lower part		1	
11	997 511 753 00	plate		1	
12	900 075 504 01	screw M 6 X 45		2	
13	987 512 217 00	cable cover		1	
14	987 512 521 00	cable emergency operation		1	
15	987 512 117 00	actuator cover		1	
16	999 166 054 02	sl-lock		1	
		- - - E N D - - -			

Model	Year	MG	SG	Illustration	Restrictions	Update	7:43	25.08.2006	PORSCHE	PET	PORSCHE
987	07	8	03	803-07		203					

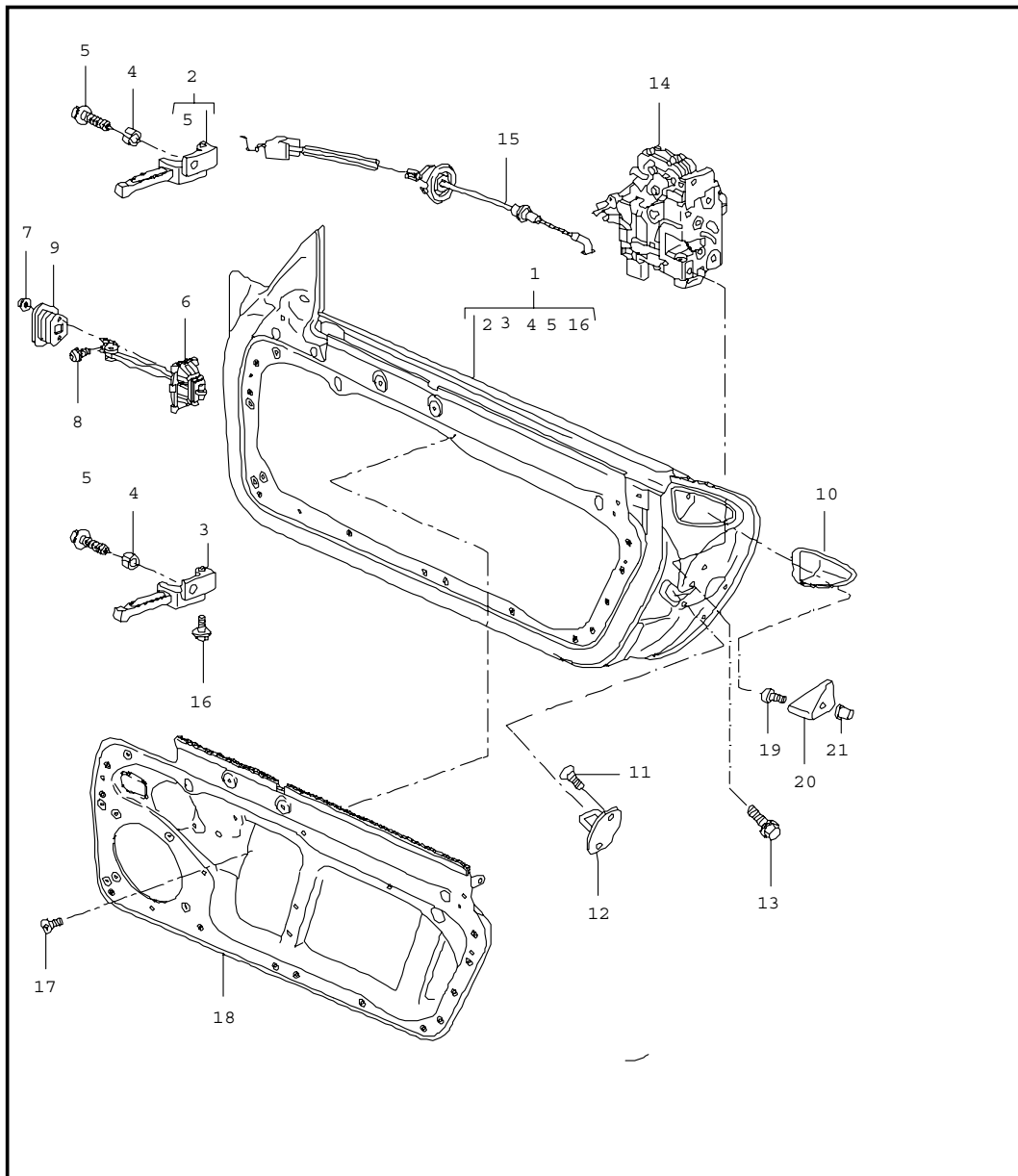


Pos	Part Number	Name	Remarks	Qty	Model
1	987 504 609 00	rear spoiler		1	
		upper part			
		G2X prime coated			
2	999 507 499 40	expansion rivet 5,0 X 11,5		3	
3	987 504 613 00	bracket	-05	1	
3	987 504 613 01	bracket upper part	06-	1	
4	987 504 615 00	cover bracket	/L	1	
(4)	987 504 616 00	cover bracket	/R	1	
5	900 377 003 02	hexagon nut bracket M8		2	
6	987 504 109 00	driving mechanism complete		1	
7	999 218 016 02	screw M 6 X 16 micro-self-locking		4	
9	987 504 413 00	gasket set hinge		2	
10	987 504 415 00	water drain hose		1	
11	987 504 411 00	hinge		2	
12	996 624 151 00	electric motor		1	
13	900 074 364 02	hexagon-head bolt M 5 X 55 micro-self-locking		1	
14	999 084 629 09	hexagon nut M 6		3	
15	900 075 485 09	screw M 6 X 16		1	
16	900 035 001 09	washer		4	
17	996 624 117 01	actuator cover rear		1	
18	999 507 434 40	clip		1	

Model	Year	MG	SG	Illustration	Restrictions	Update					
987	07	8	03	803-07		203	7:43	25.08.2006	PORSCHE	PET	PORSCHE

Pos	Part Number	Name	Remarks	Qty	Model	Pos	Part Number	Name	Remarks	Qty	Model
19	987 512 117 00	actuator		1							
		- - - E N D - - -									

Model	Year	MG	SG	Illustration	Restrictions	Update	7:43	25.08.2006	PORSCHE	PET	PORSCHE
987	07	8	04	804-00		203					

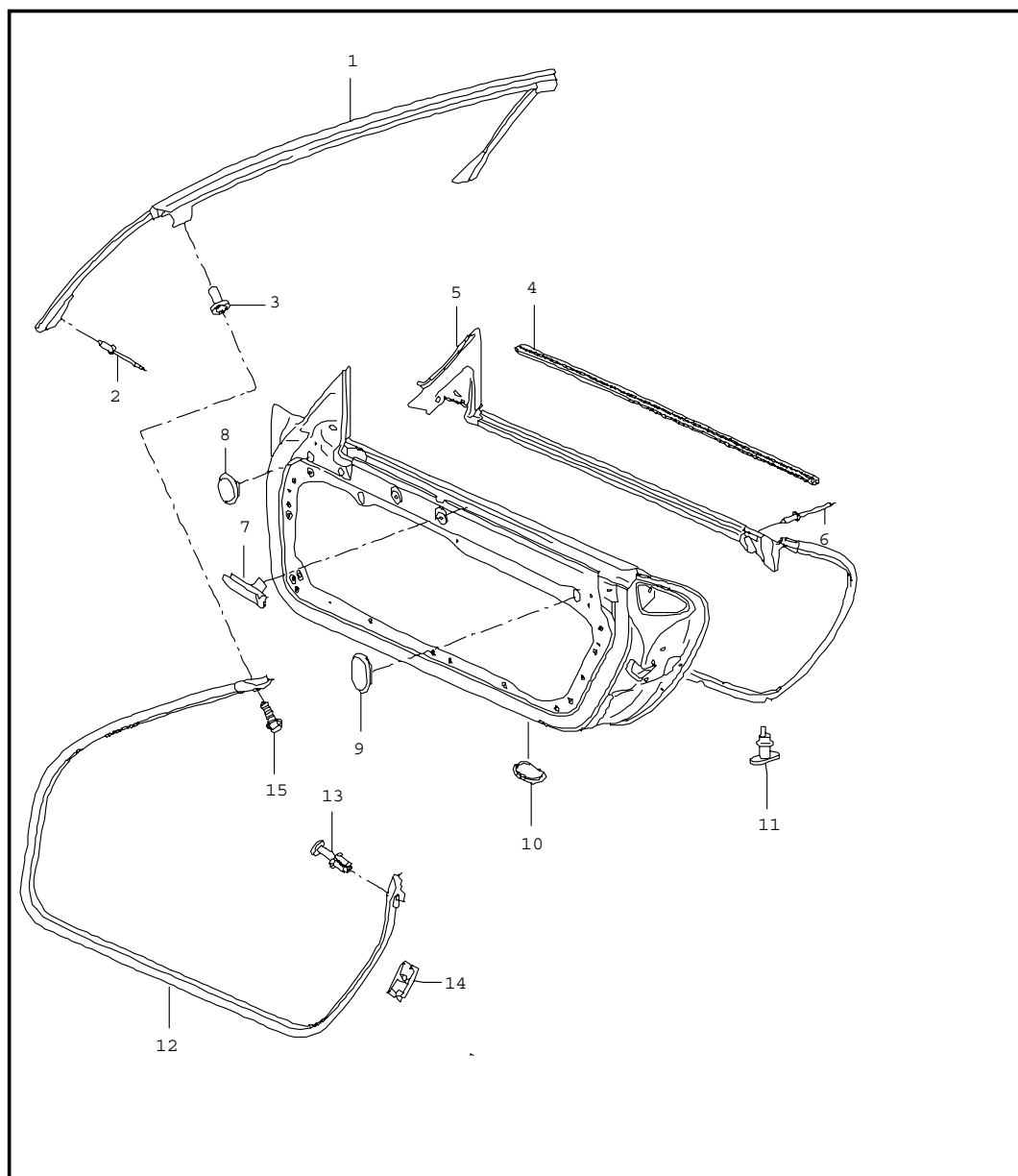


Pos	Part Number	Name	Remarks	Qty	Model
		door in white installation parts door lock			
(1)	997 531 011 02	door in white	/L	1	
	GRV	prime coated use also:			
1	997 531 012 02	door in white	/R	1	
	GRV	prime coated use also:			
-	000 043 204 38	sealing material		1	
(2)	997 531 321 00	hinge	/L	1	
2	997 531 322 00	hinge	/R	1	
(3)	997 531 319 00	hinge	/L	1	
3	997 531 320 00	hinge	/R	1	
4	996 531 831 00	sleeve		4	
5	999 067 022 02	screw M 8 X 20		2	
6	997 537 151 01	door arrester		2	
7	999 084 212 02	nut M 6		4	
8	999 073 138 09	screw M 8 X 25		2	
9	996 537 751 00	seal		2	
(10)	997 537 331 00	support		1	
	01C	satin black			
10	997 537 332 00	support		1	
	01C	satin black			
11	N 910 174 01	countersunk-head screw M 8 X 22		4	
12	3B0 837 033 P	end plate		2	
13	WHT 000 439	screw M 8 X 20		2	
(14)	3D1 837 015	door lock	/LL/L	1	
14	3D1 837 016	door lock	/LL/R	1	

Model	Year	MG	SG	Illustration	Restrictions	Update	7:43	25.08.2006	PORSCHE	PET	PORSCHE
987	07	8	04	804-00		203					

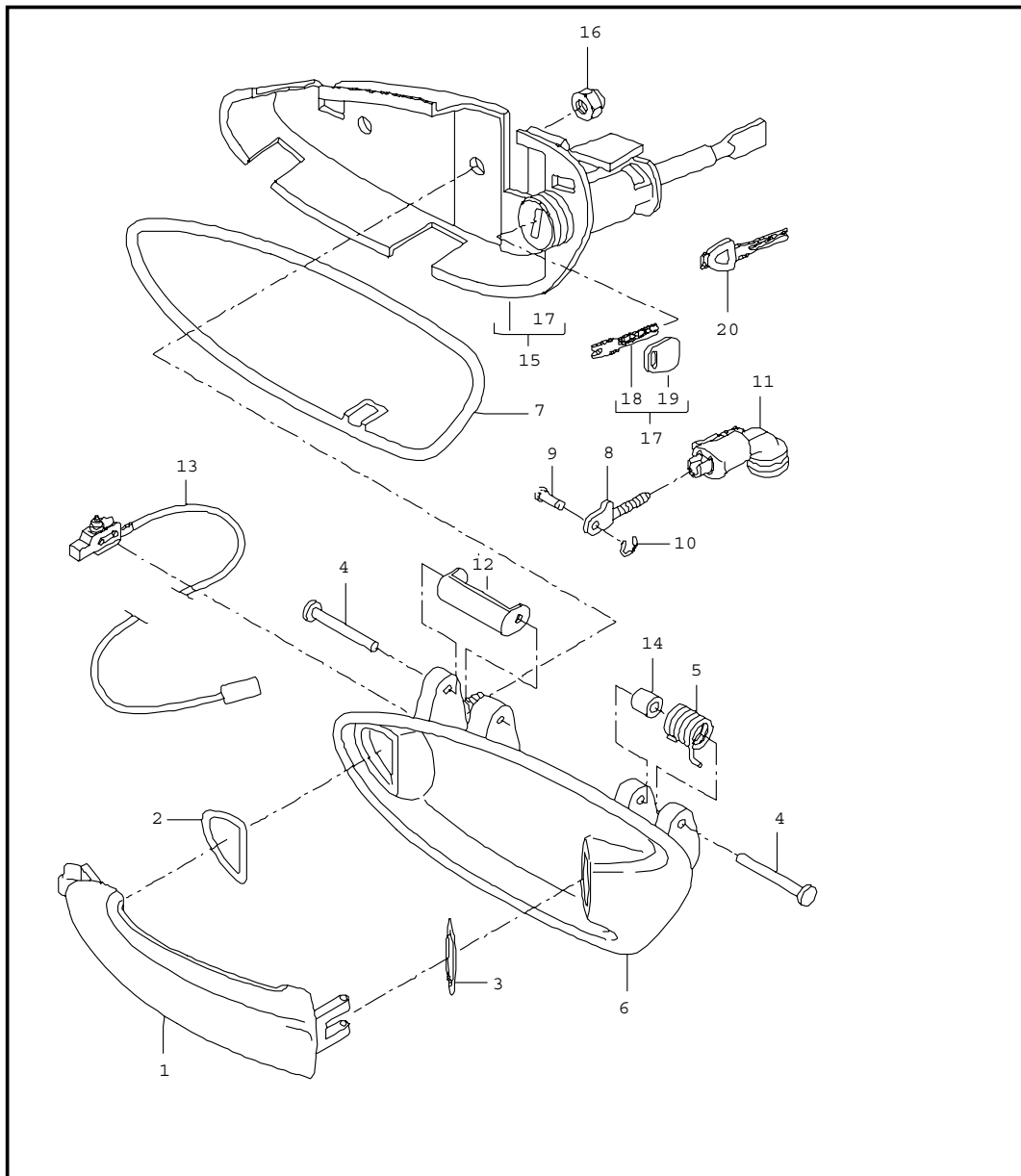
Pos	Part Number	Name	Remarks	Qty	Model	Pos	Part Number	Name	Remarks	Qty	Model
(14)	3D2 837 015	door lock	/RL/L	1							
(14)	3D2 837 016	door lock	/RL/R	1							
15	997 537 319 01	bowden cable		2							
16	999 072 043 09	hexagon-head bolt M 6 X 12 micro-self-locking		4							
17	999 073 333 09	oval-head screw M6 X 16		9							
(18)	997 537 201 00	inner panel	/L -05	1							
18	997 537 202 00	inner panel	/R -05	1							
(18)	987 537 201 00	inner panel	/L 06-	1							
18	987 537 202 00	inner panel	/R 06-	1							
19	900 119 072 00	pan-head screw M8 X 16		2							
(20)	997 537 333 00	support	/L	1							
	G2X	prime coated									
20	997 537 334 00	support side section	/R	1							
	G2X	prime coated									
21	999 500 121 02	blind rivet nut M8 / 0,8 - 3		2							
		- - - E N D - - -									

Model	Year	MG	SG	Illustration	Restrictions	Update	7:43	25.08.2006	PORSCHE	PET	PORSCHE
987	07	8	04	804-10		203					



Pos	Part Number	Name	Remarks	Qty	Model
		door seal gasket windscreen frame			
1	987 537 077 01	gasket windscreen frame		1	
2	999 190 445 37	rivet A 4,0 X 7,9		X	
3	999 500 098 02	blind rivet nut M 5/0,5-3		2	
(4)	997 537 085 00	gasket	/L	1	
4	997 537 086 00	gasket outer	/R	1	
(5)	997 537 531 02	gasket	/L	1	
5	997 537 532 02	gasket inner	/R	1	
6	999 190 450 37	blind rivet 4,0 X 6,3		1	
7	997 537 495 00	rubber buffer		1	
8	803 803 583 A	rubber sleeve 20,0 X 30,0		2	
9	999 703 541 40	cover 20,0 X 28,0		4	
10	999 703 542 40	cover 23,8 X 38,7		8	
11	999 507 578 40	clip gasket outer 5,0 X 3,7		36	
(12)	987 537 075 00	gasket	/L	1	
12	987 537 076 00	gasket door	/R	1	
13	999 507 706 40	expander nut 4,2		2	
14	999 507 710 02	u-clamp 1,50 - 2,50		2	
15	900 075 362 02	screw M 5 X 16		2	
		- - - E N D - - -			

Model	Year	MG	SG	Illustration	Restrictions	Update	7:44	25.08.2006	PORSCHE	PET	PORSCHE
987	07	8	04	804-20		203					

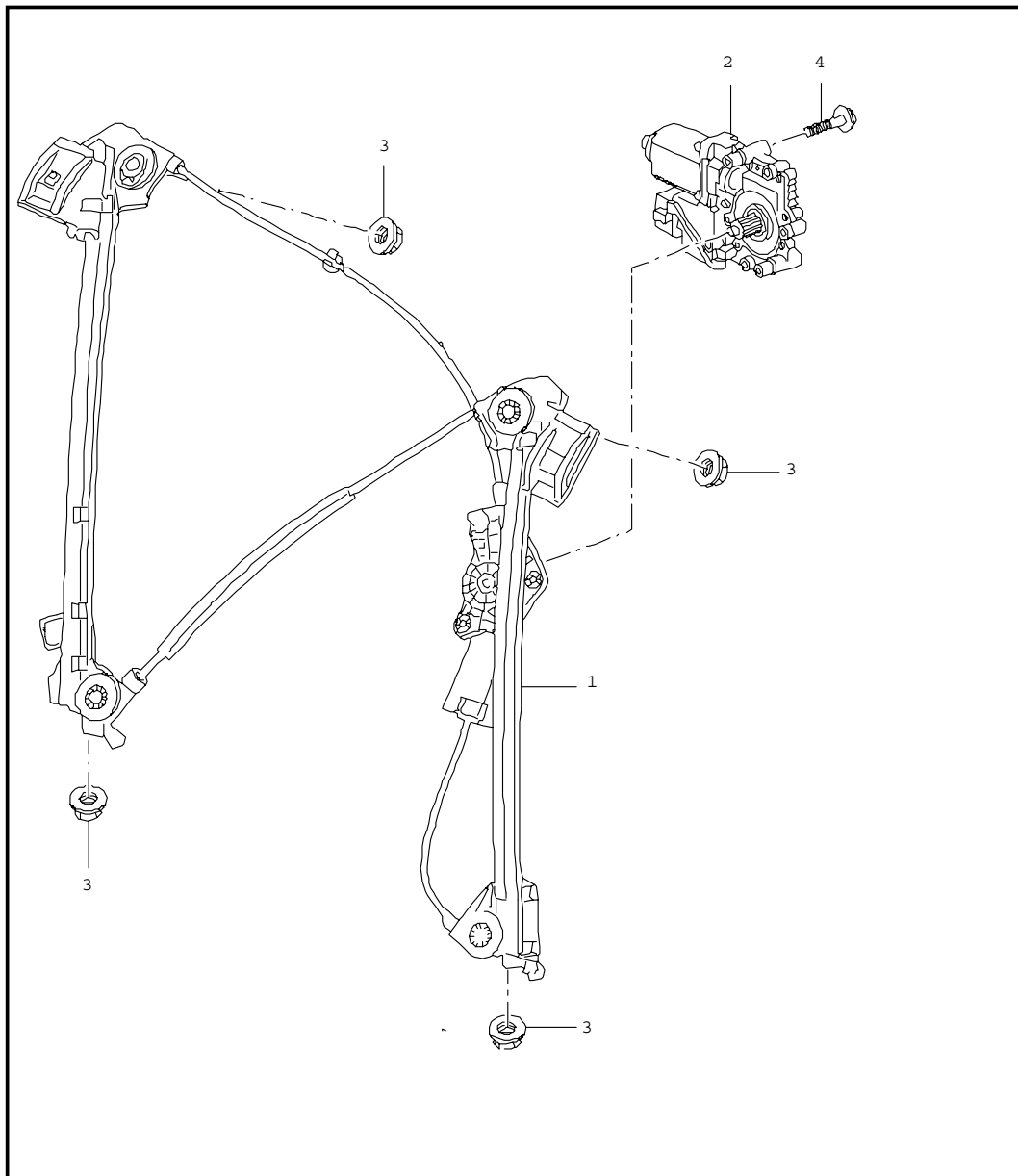


Pos	Part Number	Name	Remarks	Qty	Model
1	997 537 613 00	door handle			
		handle	/L	1	
		G2X prime coated			
(1)	997 537 614 00	handle	/R	1	
		G2X prime coated			
2	997 537 623 00	buffer		2	
3	997 537 625 00	buffer		2	
4	997 537 621 00	axle		2	
5	997 537 611 00	return spring	/L	1	
(5)	997 537 612 00	return spring	/R	1	
6	997 537 645 00	handle liner	/LL/L	1	
		G2X prime coated			
(6)	997 537 646 00	handle liner	/RL/R	1	
		G2X prime coated			
(6)	997 537 645 01	handle liner	/RL/L	1	
		G2X prime coated			
(6)	997 537 646 01	handle liner	/LL/R	1	
		G2X prime coated			
7	997 537 637 00	desk pad	/L	1	
(7)	997 537 638 00	desk pad	/R	1	
8	997 537 627 00	control shaft		2	
9	997 537 629 00	bolt		2	
10	996 537 641 00	lock washer		2	
11	997 537 445 02	connecting piece		2	
12	997 537 653 00	eccentric	/L	1	
(12)	997 537 654 00	eccentric	/R	1	
13	997 613 125 00	microswitch power windows		2	
14	997 537 633 00	bush		2	

Model	Year	MG	SG	Illustration	Restrictions	Update	7:44	25.08.2006	PORSCHE	PET	PORSCHE
987	07	8	04	804-20		203					

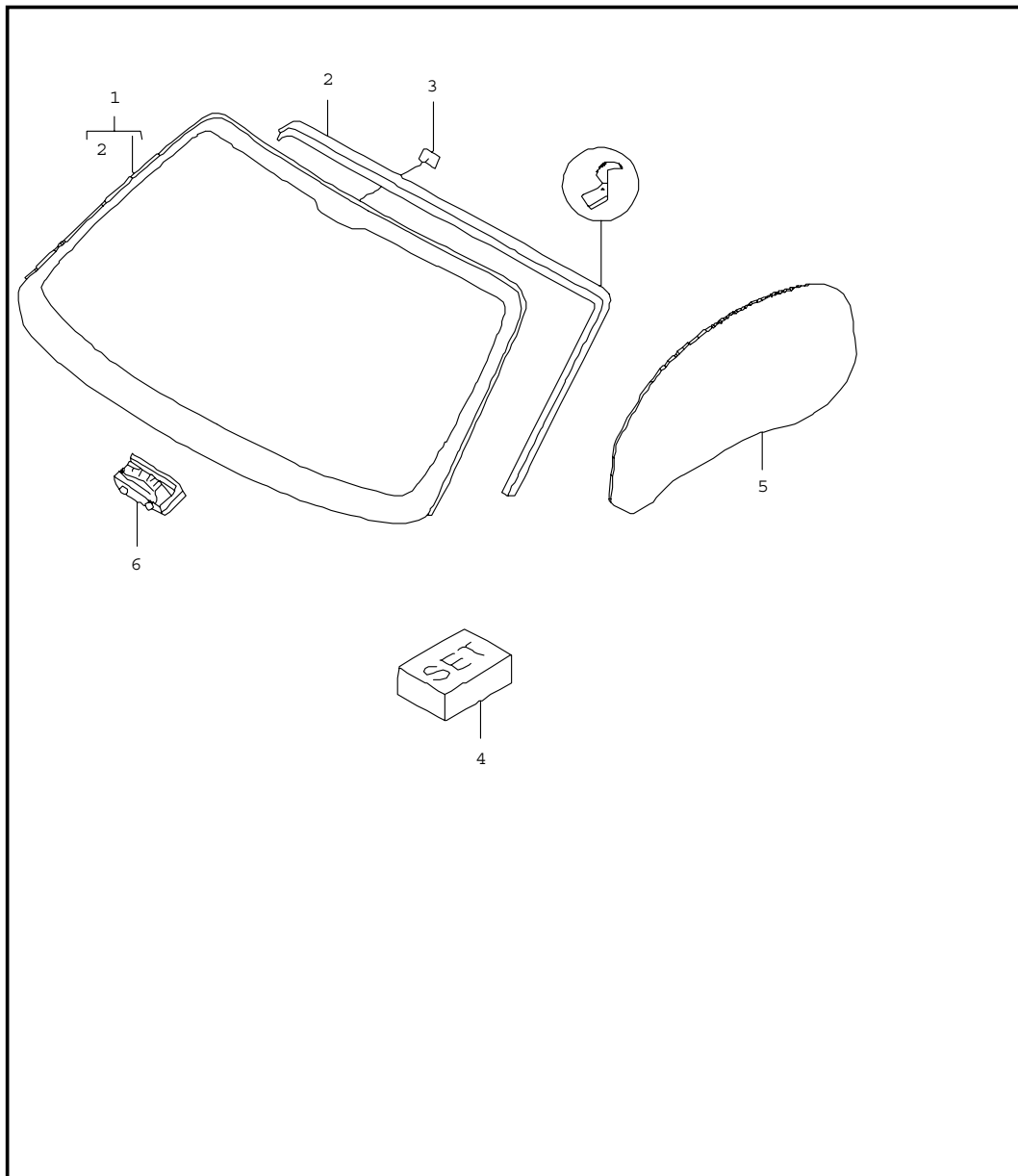
Pos	Part Number	Name	Remarks	Qty	Model	Pos	Part Number	Name	Remarks	Qty	Model
15	997 538 963 00	support with lock cylinder with stipulated lock-no.	/LL/L	1							
(15)	997 538 964 00	support with lock cylinder with stipulated lock-no.	/RL/R	1							
(15)	997 538 963 01	support with lock cylinder w/o stipulated lock number	/LL/L	1							
(15)	997 538 964 01	support with lock cylinder w/o stipulated lock number	/RL/R	1							
(15)	997 538 963 02	support with lock cylinder w/o stipulated lock number	/LL/L07-	1	I625						
(15)	997 538 964 02	support with lock cylinder w/o stipulated lock number	/RL/R07-	1	I625						
(15)	997 538 963 03	support with lock cylinder with stipulated lock-no.	/LL/L07-	1	I625						
(15)	997 538 964 03	support with lock cylinder with stipulated lock-no.	/RL/R07-	1	I625						
(15)	997 537 463 01	support without lock cylinder	/RL/L	1							
(15)	997 537 464 01	support without lock cylinder	/LL/R	1							
16	900 380 015 09	hexagon nut M6		4							
17	997 538 931 00	replacement key with stipulated lock-no. state lock number		X							
18	997 538 531 00	blank key		X							
19	944 538 431 00	key cap		X							
20	955 538 916 00	emergency key with stipulated lock-no. state lock number information available		X							
(20)	955 538 216 00	emergency key w/o stipulated lock number		X							
- - - E N D - - -											

Model	Year	MG	SG	Illustration	Restrictions	Update	7:44	25.08.2006	PORSCHE	PET	PORSCHE
987	07	8	04	804-30		203					



Pos	Part Number	Name	Remarks	Qty	Model
		power windows			
1	987 542 075 00	power windows	/L -05	1	
1	987 542 075 01	power windows	/L 06-	1	
(1)	987 542 076 00	power windows	/R -05	1	
(1)	987 542 076 01	power windows	/R 06-	1	
2	987 624 101 06	electric motor	/LL/L-05	1	
(2)	987 624 104 06	electric motor	/LL/R-05	1	
(2)	987 624 102 06	electric motor	/RL/R-05	1	
(2)	987 624 103 06	electric motor	/RL/L-05	1	
(2)	997 624 181 02	electric motor	/LL/L06-	1	
(2)	997 624 182 02	electric motor	/LL/R06-	1	
(2)	997 624 181 02	electric motor	/RL/R06-	1	
(2)	997 624 182 02	electric motor	/RL/L06-	1	
3	900 380 015 09	hexagon nut M 6		4	
4	999 919 209 09	oval-head screw M5X22		6	
		- - - E N D - - -			

Model	Year	MG	SG	Illustration	Restrictions	Update	7:44	25.08.2006	PORSCHE	PET	PORSCHE
987	07	8	05	805-00		203					

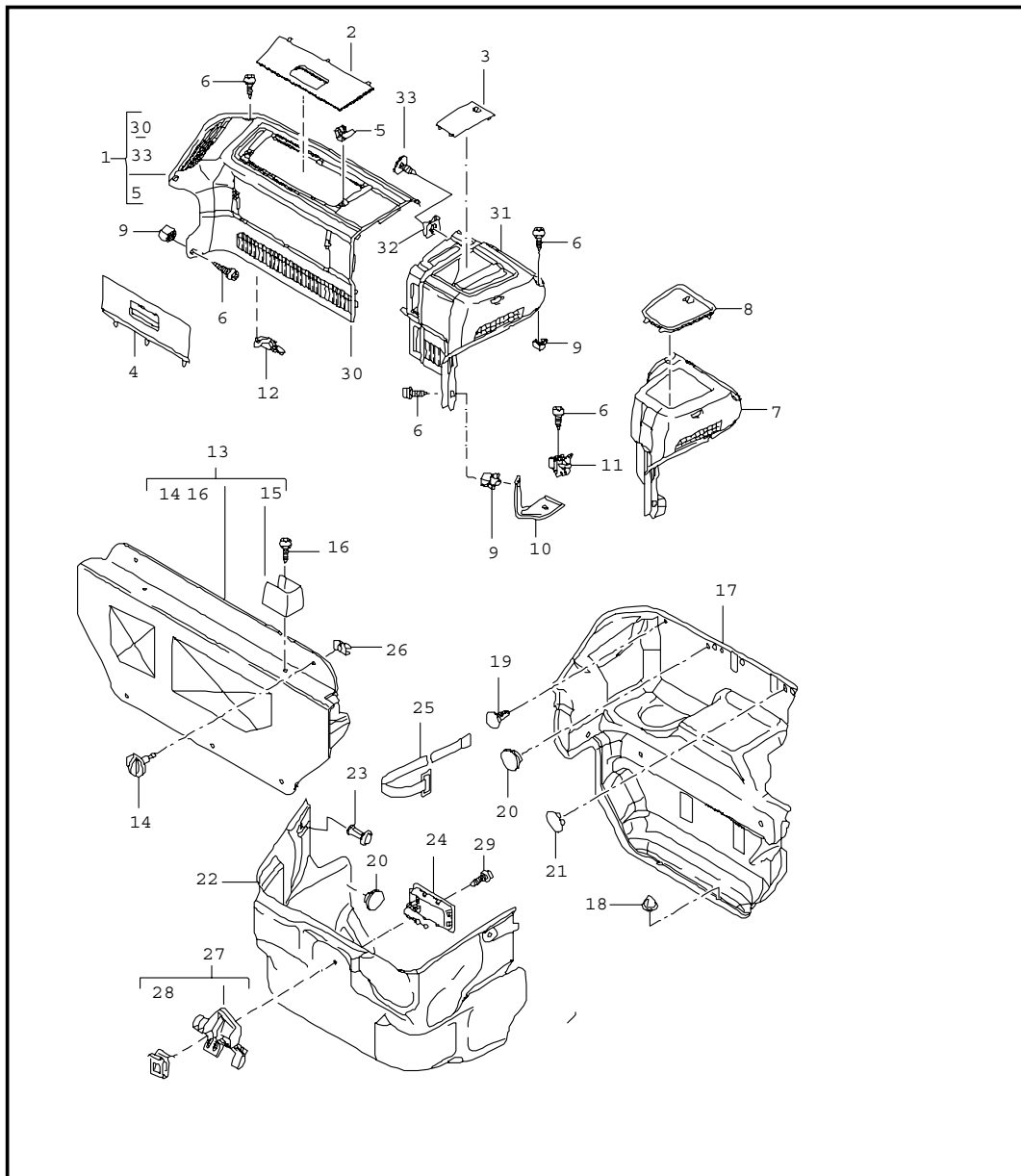


Pos	Part Number	Name	Remarks	Qty	Model
		windows			
1	987 541 111 00	windscreen tinted information available		1	I568
(1)	987 541 111 01	windscreen tinted upper part: dark green information available		1	I567
(1)	987 541 111 02	windscreen tinted information available		1	I267/568
(1)	987 541 111 02	windscreen tinted information available		1	I268/568
(1)	987 541 111 03	windscreen tinted upper part: dark green information available		1	I267/567
(1)	987 541 111 03	windscreen tinted upper part: dark green information available		1	I268/567
(1)	987 541 111 04	windscreen tinted information available		1	I440/568
(1)	987 541 111 05	windscreen tinted upper part: dark green information available		1	I440/567
(1)	987 541 111 06	windscreen tinted information available		1	I267/440/568
(1)	987 541 111 06	windscreen tinted information available		1	I268/440/568
(1)	987 541 111 07	windscreen tinted upper part: dark green information available		1	I267/440/567
(1)	987 541 111 07	windscreen tinted upper part: dark green information available		1	I268/440/567
2	997 541 901 01	gasket		1	

Model	Year	MG	SG	Illustration	Restrictions	Update	7:44	25.08.2006	PORSCHE	PET	PORSCHE
987	07	8	05	805-00		203					

Pos	Part Number	Name	Remarks	Qty	Model	Pos	Part Number	Name	Remarks	Qty	Model
4	000 043 300 94	adhesive set TEROSTAT 8593		1							
5	987 542 511 00	door glass	/L	1							
(5)	987 542 512 00	door glass	/R	1							
6	999 507 576 41	support		2							
		- - - E N D - - -									

Model	Year	MG	SG	Illustration	Restrictions	Update	7:44	25.08.2006	PORSCHE	PET	PORSCHE
987	07	8	07	807-00		203					



Pos	Part Number	Name	Remarks	Qty	Model
(1)	997 551 133 00	luggage compartment front		1	I098/670
		lining	/LL		
		luggage compartment complete			
		02A			
		black			
(1)	997 551 133 00	lining	/LL	1	I098/672
		luggage compartment complete			
		02A			
		black			
(1)	997 551 133 00	lining	/LL	1	I098/692
		luggage compartment complete			
		02A			
		black			
(1)	997 551 133 01	lining	/RL	1	I099/670
		luggage compartment complete			
		02A			
		black			
(1)	997 551 133 01	lining	/RL	1	I099/672
		luggage compartment complete			
		02A			
		black			
(1)	997 551 133 01	lining	/RL	1	I099/692
		luggage compartment complete			
		02A			
		black			
2	997 551 306 00	cover upper	/LL	1	I098/670
		02A			
		black			
2	997 551 306 00	cover upper	/LL	1	I098/672
		02A			
		black			
2	997 551 306 00	cover upper	/LL	1	I098/692
		02A			
		black			
(2)	997 551 305 00	cover upper	/RL	1	I099
		02A			
		black			

Model	Year	MG	SG	Illustration	Restrictions	Update	7:44	25.08.2006	PORSCHE	PET	PORSCHE
987	07	8	07	807-00		203					

Pos	Part Number	Name	Remarks	Qty	Model	Pos	Part Number	Name	Remarks	Qty	Model
3	997 551 301 00	cover brake booster	/LL	1	I098/670	10	997 551 771 01	support lining luggage compartment		1	
	02A	black									
3	997 551 301 00	cover brake booster	/LL	1	I098/672	11	999 507 512 40	support ST 3,5		X	
	02A	black				12	997 551 772 01	support lining	-05	1	
3	997 551 301 00	cover brake booster	/LL	1	I098/692	12	997 551 772 02	support lining	06-	1	
	02A	black				13	997 551 123 02	lining tool carpet		1	
(3)	997 551 302 00	cover brake booster	/RL	1	I099		A31	black			
	02A	black				(13)	997 551 123 03	lining tool carpet		1	I193
4	997 551 308 00	cover lower	/LL	1	I098/670		A31	black			
	02A	black				14	997 551 803 00	catch lining tool		2	
4	997 551 308 00	cover lower	/LL	1	I098/672	15	997 551 801 00	support warning triangle	/L	1	
	02A	black					02A	black			
4	997 551 308 00	cover lower	/LL	1	I098/692	(15)	997 551 802 00	support warning triangle	/R	1	
	02A	black					02A	black			
(4)	997 551 307 00	cover lower	/RL	1	I099	16	999 073 362 09	tapping screw 4,8 X 22		2	
	02A	black				17	997 551 051 06	lining luggage compartment bulkhead valid up to: F >>985S7 00078 F >>985U7 01581 F >>985U7 21624 order also: position 22	/LL	1	I098/476
5	999 507 735 02	clamp 9 X 22/2,5		4			A31	black			
6	999 073 049 02	tapping screw ST 3,5 X 16		X							
7	997 551 231 00	lining brake booster	/LL	1	I098						
	02A	black									
8	997 551 311 00	cover brake booster	/LL	1	I098						
	02A	black									
9	999 507 734 40	support ST 3,5		X							

Model	Year	MG	SG	Illustration	Restrictions	Update	7:44	25.08.2006	PORSCHE	PET	PORSCHE
987	07	8	07	807-00		203					

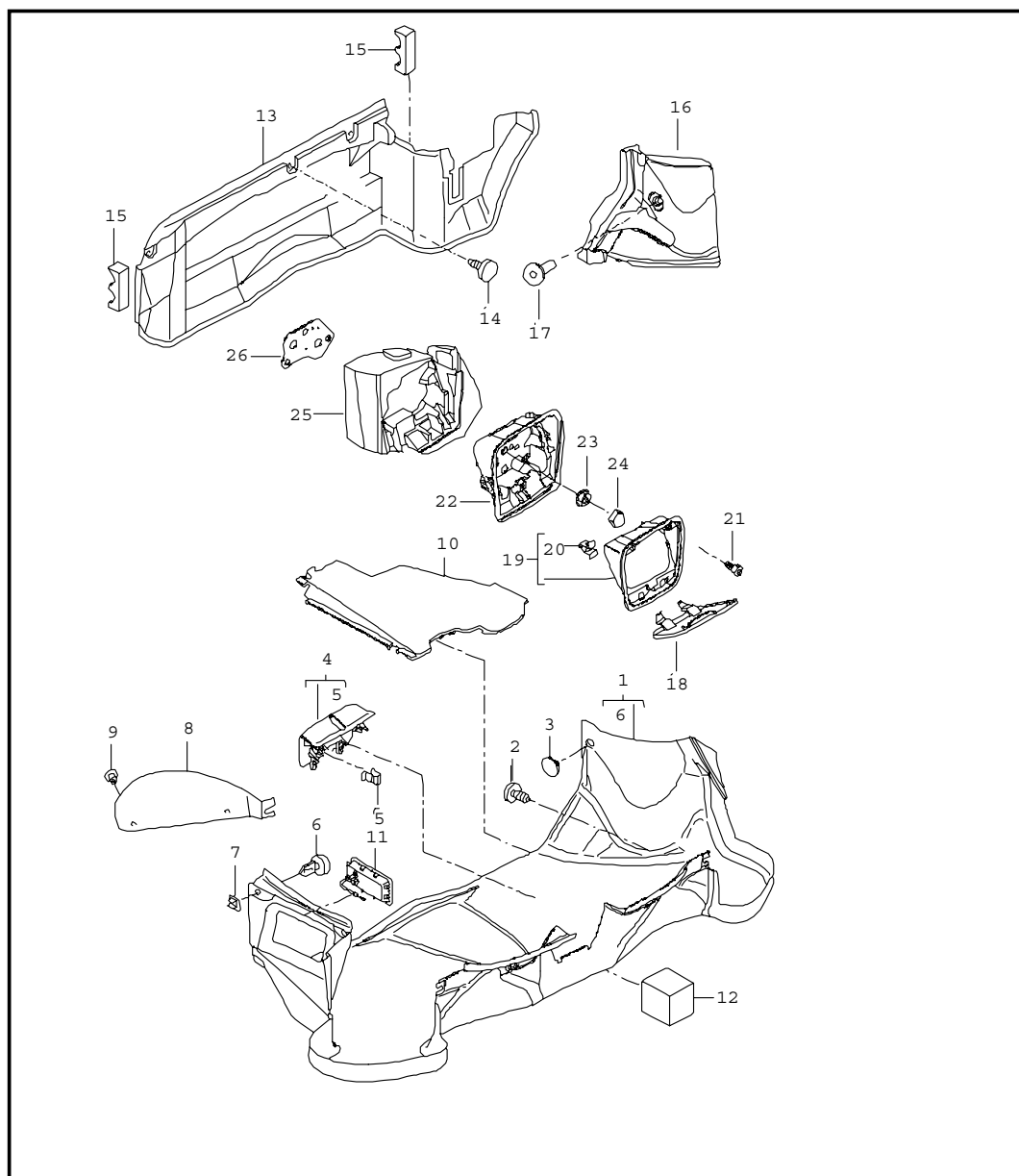
Pos	Part Number	Name	Remarks	Qty	Model	Pos	Part Number	Name	Remarks	Qty	Model
(17)	997 551 051 08	lining luggage compartment bulkhead valid up to: F >>985S7 00078 F >>985U7 01581 F >>985U7 21624 order also: position 22 A31 black	/LL	1	I098/476/670	(17)	997 551 051 15	lining luggage compartment bulkhead valid from: F 985S7 00079>> F 985U7 01582>> F 985U7 21625>> A31 black	/LL	1	I098/476
(17)	997 551 051 08	lining luggage compartment bulkhead valid up to: F >>985S7 00078 F >>985U7 01581 F >>985U7 21624 order also: position 22 A31 black		1	I476/692	(17)	997 551 051 16	lining luggage compartment bulkhead valid from: F 985S7 00079>> F 985U7 01582>> F 985U7 21625>> A31 black	/LL	1	I098/476/670
(17)	997 551 051 10	lining luggage compartment bulkhead valid up to: F >>985S7 00078 F >>985U7 01581 F >>985U7 21624 order also: position 22 A31 black		1	I476/664	(17)	997 551 051 16	lining luggage compartment bulkhead valid from: F 985S7 00079>> F 985U7 01582>> F 985U7 21625>> A31 black	/LL	1	I098/476/672
(17)	997 551 051 12	lining luggage compartment bulkhead valid up to: F >>985S7 00078 F >>985U7 01581 F >>985U7 21624 order also: position 22 A31 black	/RL	1	I099	(17)	997 551 051 16	lining luggage compartment bulkhead valid from: F 985S7 00079>> F 985U7 01582>> F 985U7 21625>> A31 black	/LL	1	I098/476/692
(17)	997 551 051 12	lining luggage compartment bulkhead valid up to: F >>985S7 00078 F >>985U7 01581 F >>985U7 21624 order also: position 22 A31 black	/RL	1	I099	(17)	997 551 051 18	lining luggage compartment bulkhead valid from: F 985S7 00079>> F 985U7 01582>> F 985U7 21625>> A31 black	/RL	1	I099
						18	999 049 004 40	plastic nut T5 / 32 X 20		2	
						19	999 703 432 40	plug 8,2 X 18		2	
						20	999 703 455 41	cover 12,2 X 25		X	

Model	Year	MG	SG	Illustration	Restrictions	Update	7:44	25.08.2006	PORSCHE	PET	PORSCHE
987	07	8	07	807-00		203					

Pos	Part Number	Name	Remarks	Qty	Model	Pos	Part Number	Name	Remarks	Qty	Model
21	999 703 456 40	cap 49 X 26		1			FMU	black/black			
22	987 551 045 00	lining luggage compartment pan valid up to: F >>985S7 00078 F >>985U7 01581 F >>985U7 21624 order also: position 17		1		31	997 551 633 00	lining brake booster	/LL	1	I098/672
	A31	black					FMU	black/black			
(22)	987 551 045 04	lining luggage compartment pan valid from: F 985S7 00079>> F 985U7 01582>> F 985U7 21625>>		1		31	997 551 633 00	lining brake booster	/LL	1	I098/692
	A31	black				(31)	997 551 632 00	lining brake booster		1	I099
							FMU	black/black			
23	999 049 006 40	plastic nut T5 /30 X 7,5		2		32	999 507 795 09	speed nut 4,8		3	
25	997 551 741 00	retaining strap first-aid kit		1	I024	33	999 073 231 09	tapping screw st 4,8 X 16		3	
(25)	997 551 741 00	retaining strap first-aid kit		1	I499						
26	999 590 055 09	clamp 10,7 X 11,5		2							
30	997 551 634 00	lining luggage compartment	/LL	1	I098/670						
	FMU	black/black									
30	997 551 634 00	lining luggage compartment	/LL	1	I098/672						
	FMU	black/black									
30	997 551 634 00	lining luggage compartment	/LL	1	I098/692						
	FMU	black/black									
(30)	997 551 635 00	lining luggage compartment	/RL	1	I099						
	FMU	black/black									
31	997 551 633 00	lining brake booster	/LL	1	I098/670						

- - - E N D - - -

Model	Year	MG	SG	Illustration	Restrictions	Update	7:44	25.08.2006	PORSCHE	PET	PORSCHE
987	07	8	07	807-01		203					

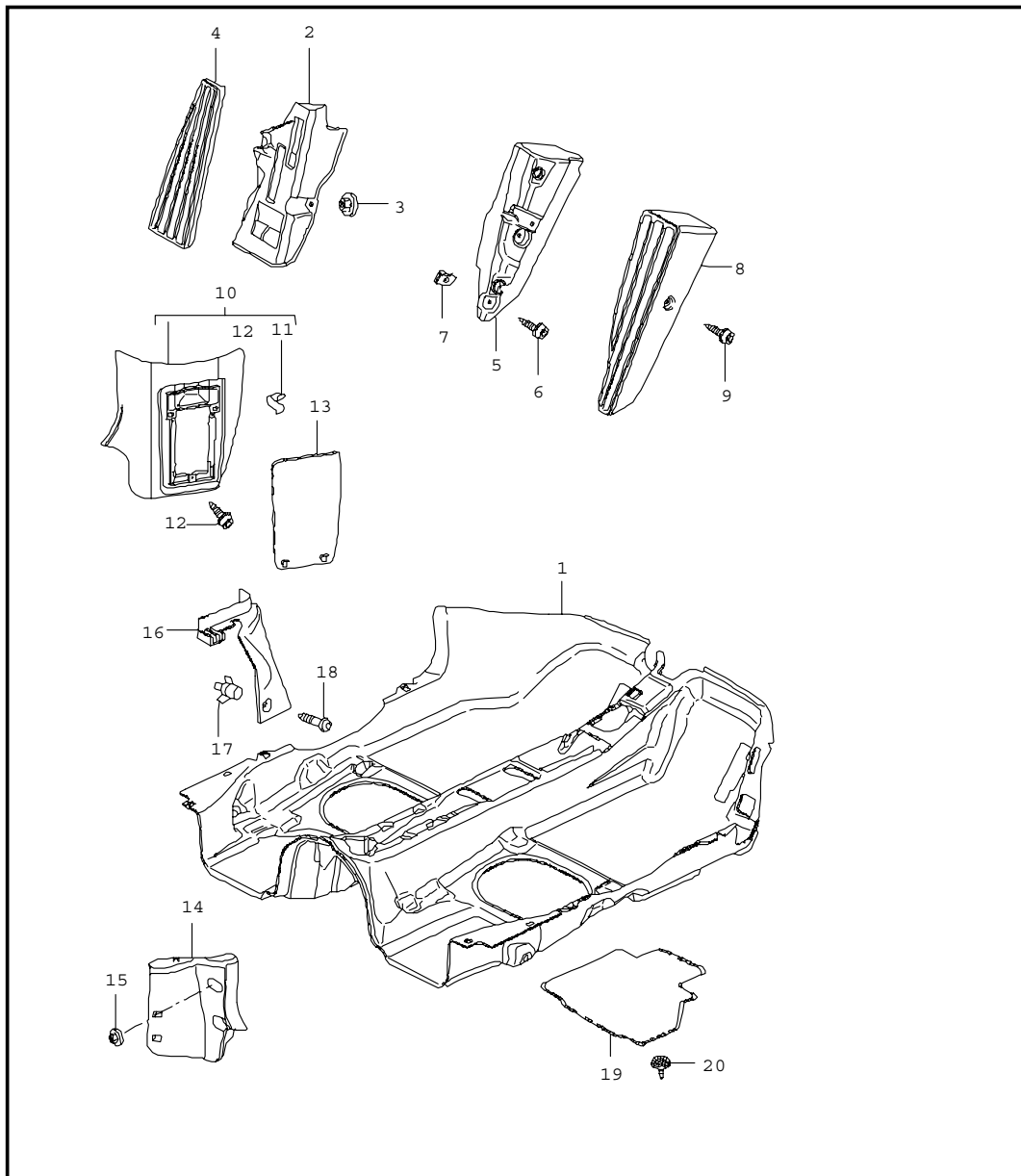


Pos	Part Number	Name	Remarks	Qty	Model
1	987 551 053 00	luggage compartment rear	-06	1	
	A31	black			
(1) N	987 551 053 03	lining luggage compartment	07-	1	
	A31	black			
2	999 703 432 40	plug 8,0		4	
3	999 703 455 41	cover 12,2 X 25		1	
4	987 551 251 02	lining lid lock		1	
	02A	black			
5	999 507 681 09	clamp 2,5/3,0		2	
6	999 507 529 40	catch 18,0		2	
7	999 590 046 40	disc cam 10,0 X 11,5		2	
8	987 551 651 00	cover rear light	/L	1	
	A31	black			
(8)	987 551 652 00	cover rear light	/R	1	
	A31	black			
9	999 049 005 40	plastic nut T5/27 X 9,8		4	
10	986 551 763 01	reinforcement	/L	1	
(10)	986 551 764 01	reinforcement	/R -06	1	
(10) N	987 551 764 00	reinforcement	/R 07-	1	
12	987 551 603 00	foam part luggage compartment pan		3	
13	987 551 047 00	lining	-06	1	
	A31	black			

Model	Year	MG	SG	Illustration	Restrictions	Update	7:44	25.08.2006	PORSCHE	PET	PORSCHE
987	07	8	07	807-01		203					

Pos	Part Number	Name	Remarks	Qty	Model	Pos	Part Number	Name	Remarks	Qty	Model
(13)	N 987 551 047 01	lining luggage compartment	07-	1							
	A31	black									
14	999 703 432 40	plug 8,0		3							
15	987 551 403 00	foam part luggage compartment		1							
16	N 987 551 702 00	foam part luggage compartment pan	07-	1							
17	N 999 049 027 40	plastic nut T5/30 X 1,8	07-	X							
18	N 987 551 372 01	cover service cup	07-	1							
	01C	satin black									
19	N 987 551 074 01	frame service cup	07-	1							
	01C	satin black									
20	P 999 507 552 01	spring clamp 9,0 X 13/4,0	07-	2							
21	P 999 073 226 09	tapping screw ST 4,2 X 16C	07-	X							
22	987 551 078 01	wiper frame service cup	07-	1							
23	N 999 076 078 01	hexagon nut M 6	07-	3							
24	P 999 703 231 40	protection cap	07-	1							
25	N 987 556 502 00	sound absorber service cup	07-	1							
26	P 987 555 477 00	sealing frame service cup	07-	1							
		- - - E N D - - -									

Model	Year	MG	SG	Illustration	Restrictions	Update	7:45	25.08.2006	PORSCHE	PET	PORSCHE
987	07	8	07	807-02		203					



Pos	Part Number	Name	Remarks	Qty	Model
1	987 551 011 00	interior equipment carpet linings carpet carpet	/LL -05	1	I098
	FLW	black			
	FLX	stone grey			
	FLY	sand beige			
	FLZ	sea blue			
	FMA	palmgreen			
	FMB	terracotta			
	FMC	cocoa			
	FMD	dark grey/natural			
	FME	brown/natural			
1	987 551 011 04	carpet carpet	/LL 06-	1	I098
	FLW	black			
	FLX	stone grey			
	FLY	sand beige			
	FLZ	sea blue			
	FMA	palmgreen			
	FMB	terracotta			
	FMC	cocoa			
	FMD	dark grey/natural			
	FME	brown/natural			
(1)	987 551 011 01	carpet carpet	/RL -05	1	I099
	FLW	black			
	FLX	stone grey			
	FLY	sand beige			
	FLZ	sea blue			
	FMA	palmgreen			

Model	Year	MG	SG	Illustration	Restrictions	Update	7:45	25.08.2006	PORSCHE	PET	PORSCHE
987	07	8	07	807-02		203					

Pos	Part Number	Name	Remarks	Qty	Model	Pos	Part Number	Name	Remarks	Qty	Model
	FMB	terracotta				7	999 591 485 02	speed nut ST 4,8	/RL	2	I099
	FMC	cocoa						for mount			
	FMD	dark grey/natural						foot support			
	FME	brown/natural				8	997 551 612 00	cover foot support	/RL	1	I099
(1)	987 551 011 05	carpet carpet	/RL 06-	1	I099		01C	satin black			
	FLW	black				9	999 919 188 09	oval-head screw 5,0 X 30	/RL	1	I099
	FLX	stone grey						for mount			
	FLY	sand beige						cover foot support			
	FLZ	sea blue				10	997 551 101 00	lining fusebox carpet	/LL	1	I098
	FMA	palmgreen									
	FMB	terracotta					A10	black			
	FMC	cocoa					B10	stone grey			
	FMD	dark grey/natural					T10	sand beige			
	FME	brown/natural					E10	sea blue			
-	997 551 813 00	protective film carpet	/LL	1	I098		J10	palmgreen			
-	997 551 815 00	protective film carpet	/RL	1	I099		M10	terracotta			
2	997 551 211 00	foot support	/LL	1	I098		R10	cocoa			
3	999 076 081 40	plastic nut T5/16 X 11,2		2			D11	dark grey/natural			
4	997 551 611 00	cover foot support	/LL	1	I098	(10)	T11	brown/natural			
	01C	satin black						lining fusebox carpet	/RL	1	I099
(4)	997 551 986 00	cover foot support	/LL	1	IXXZ/098		A10	black			
5	997 551 212 00	foot support	/RL	1	I099		B10	stone grey			
6	999 073 060 02	tapping screw ST 4,8 X 13 for mount foot support	/RL	2	I099		T10	sand beige			
							E10	sea blue			
							J10	palmgreen			
							M10	terracotta			
							R10	cocoa			

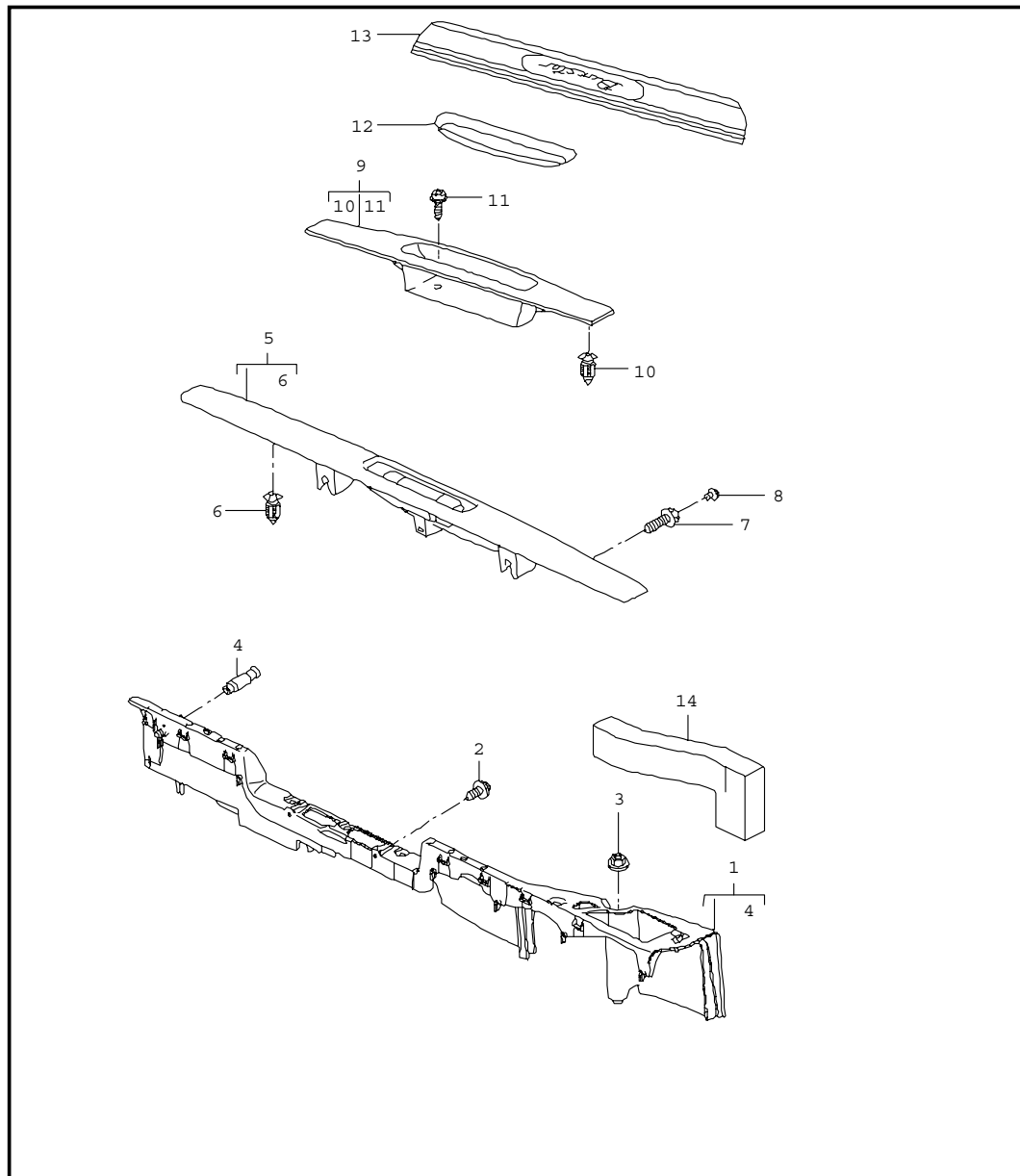
Model	Year	MG	SG	Illustration	Restrictions	Update	7:45	25.08.2006	PORSCHE	PET	PORSCHE
987	07	8	07	807-02		203					

Pos	Part Number	Name	Remarks	Qty	Model	Pos	Part Number	Name	Remarks	Qty	Model
	D11	dark grey/natural					FQN	cocoa/cocoa			
	T11	brown/natural					FQQ	black/stone grey			
11	999 507 552 02	spring clamp 9,0 X 13/4,0		2			FQO	darkgreynatural/black			
12	999 919 161 09	oval-head screw 5,0 X 18 for mount fusebox		3		(16)	987 551 216 01	lining seat belt	/R	1	
13	997 551 621 00	cover lining fusebox	/LL	1	I098		FQG	black/black			
	01C	satin black					FQH	stone grey/stone grey			
(13)	997 551 622 00	cover lining fusebox	/RL	1	I099		FQJ	sand beige/sand beige			
	01C	satin black					FQK	seeblue/seeblue			
14	997 551 712 01	support carpet	/LL -05	1	I098		FQL	palm-green/palm-green			
(14)	997 551 711 01	support carpet	/RL -05	1	I099		FQM	terrakotta/terrakotta			
(14)	997 551 712 02	support carpet	/LL 06-	1	I098	17	999 507 438 40	support 3,5		2	
(14)	997 551 711 02	support carpet	/RL 06-	1	I099	18	999 073 048 02	tapping screw 3,5 X 13		2	
15	999 076 081 40	plastic nut T5/16 X 11,2 mount support carpet		2		19	987 551 984 00	floor mat set pearl velour	/LL -06	1	IXX1/098
16	987 551 215 01	lining seat belt	/L	1			A41	black			
	FQG	black/black					B21	stone grey			
	FQH	stone grey/stone grey					T41	sand beige			
	FQJ	sand beige/sand beige					E21	sea blue			
	FQK	seeblue/seeblue					J41	palmgreen			
	FQL	palm-green/palm-green					M21	terracotta			
	FQM	terrakotta/terrakotta					R41	cocoa			
							T21	brown/natural			

Model	Year	MG	SG	Illustration	Restrictions	Update				PORSCHE	PET	PORSCHE
987	07	8	07	807-02		203	7:45	25.08.2006				

Pos	Part Number	Name	Remarks	Qty	Model	Pos	Part Number	Name	Remarks	Qty	Model
(19)	987 551 984 01	floor mat set pearl velour	/RL -06	1	IXX1/099		T21	brown/natural			
	A41	black				20	999 902 054 40	fastening plate for floor mats		4	
	B21	stone grey						- - - E N D - - -			
	T41	sand beige									
	E21	sea blue									
	J41	palmgreen									
	M21	terracotta									
	R41	cocoa									
	T21	brown/natural									
19	987 551 984 04	floor mat set pearl velour	/LL 07-	1	I098/810						
	A41	black									
	B21	stone grey									
	T41	sand beige									
	E21	sea blue									
	J41	palmgreen									
	M21	terracotta									
	R41	cocoa									
	T21	brown/natural									
(19)	987 551 984 05	floor mat set pearl velour	/RL 07-	1	I099/810						
	A41	black									
	B21	stone grey									
	T41	sand beige									
	E21	sea blue									
	J41	palmgreen									
	M21	terracotta									
	R41	cocoa									

Model	Year	MG	SG	Illustration	Restrictions	Update	7:45	25.08.2006	PORSCHE	PET	PORSCHE
987	07	8	07	807-03		203					

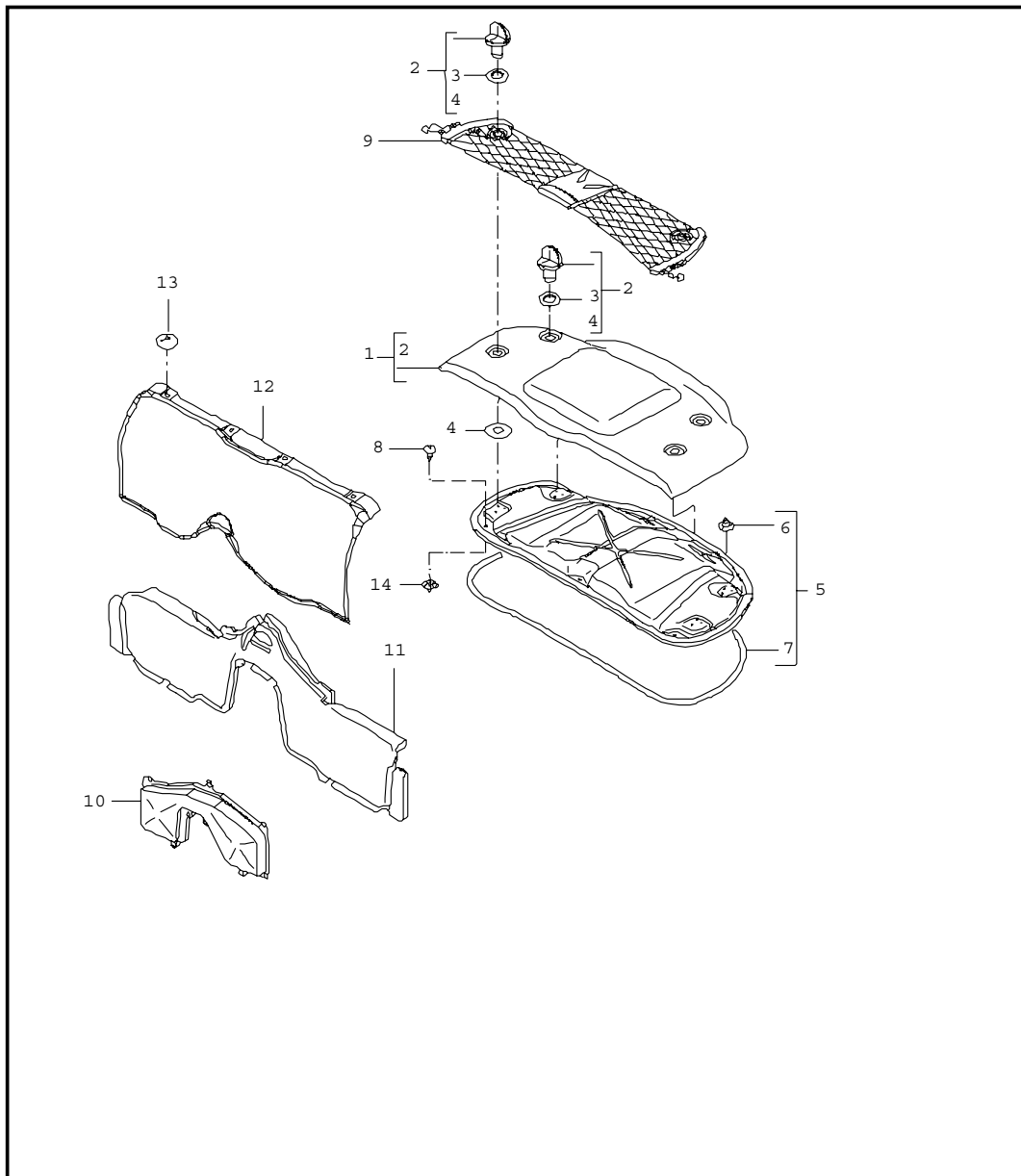


Pos	Part Number	Name	Remarks	Qty	Model
1	987 551 619 01	lining door sill	/L	1	
(1)	987 551 620 01	support door sill	/R	1	
2	900 143 082 02	tapping screw ST 6,3 X 13 for mount support door sill		4	
3	999 076 081 40	plastic nut T5 16 X 11,2 for mount support door sill		2	
4	996 551 873 00	locating peg for mount support door sill		2	
5	997 551 019 00	lining door sill driver's side	/LL 05	1	I098
	A03	black			
5	997 551 019 04	lining door sill driver's side	/LL 06-	1	I098
	A03	black			
(5)	997 551 019 01	lining door sill driver's side	/RL 05	1	I099
	A03	black			
(5)	997 551 019 05	lining door sill driver's side	/RL 06-	1	I099
	A03	black			
6	999 507 484 40	expander nut 9 X 22		6	
7	999 067 046 09	screw M 6 X 20		2	

Model	Year	MG	SG	Illustration	Restrictions	Update				PORSCHE	PET	PORSCHE
987	07	8	07	807-03		203	7:45	25.08.2006				

Pos	Part Number	Name	Remarks	Qty	Model	Pos	Part Number	Name	Remarks	Qty	Model
8	999 703 443 40	plug 8,0 X 11		2							
	01C	satin black									
9	997 551 120 01	lining door sill passenger's side		1							
	A03	black									
10	999 507 484 40	expander nut 9 X 22		6							
11	999 919 164 09	oval-head screw 5,0 X 12		1							
12	996 551 513 00	mat		1							
(13)	987 551 303 00	scuff plate lacquered	05	2	BOXSTER						
	A03	black									
(13)	987 551 303 04	scuff plate lacquered	06-	2	BOXSTER						
	A03	black									
13	987 551 303 01	scuff plate lacquered	05	2	BOXSTER S						
	A03	black									
13	987 551 303 05	scuff plate lacquered	06-	2	BOXSTER S						
	A03	black									
		scuff plate exclusive see catalogue tequipment 8/07/07									
14	987 556 605 00	sound absorber support		2							
		- - - E N D - - -									

Model	Year	MG	SG	Illustration	Restrictions	Update	7:45	25.08.2006	PORSCHE	PET	PORSCHE
987	07	8	07	807-05		203					

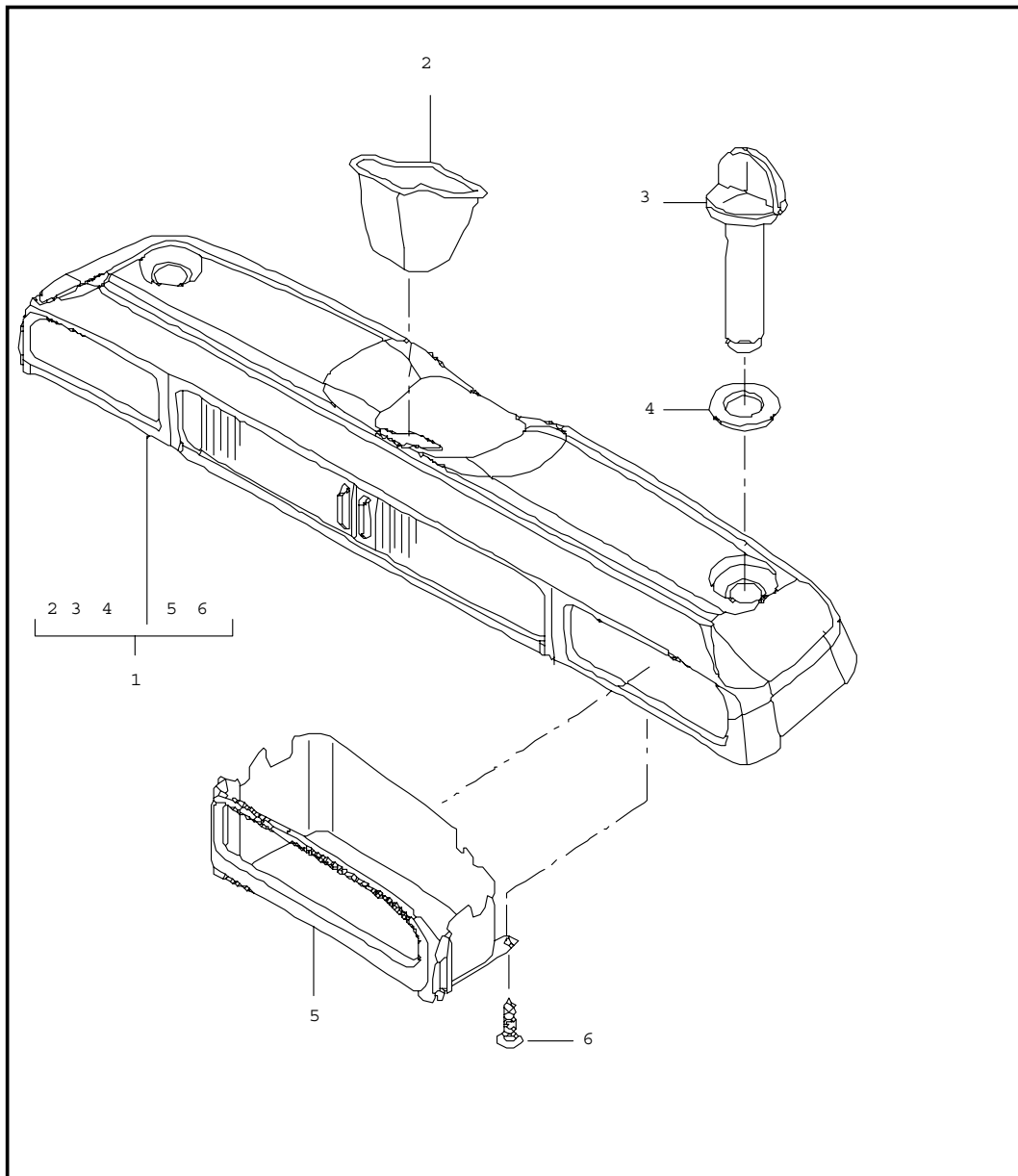


Pos	Part Number	Name	Remarks	Qty	Model
1	987 551 039 02	linings engine compartment lining carpet		1	
		FMV black			
		FMW stone grey			
		FMX sand beige			
		FMY sea blue			
		FMZ palmgreen			
		FNA terracotta			
		FNB cocoa			
		FNC dark grey/natural			
		FND brown/natural			
2	986 551 339 00	catch		4	
		01C satin black			
3	986 551 543 00	thrust washer 40 X 3 X 24		4	
		01C satin black			
4	986 551 545 00	lock washer 55 X 1 X 21		4	
5	987 513 211 00	engine compartment cover		1	
6	986 551 547 00	mounting		4	
--	999 190 174 30	blind rivet mount mounting		12	
7	987 513 611 00	gasket engine cover		1	
8	900 378 074 09	hexagon-head bolt M 8 X 16		5	
9	987 551 633 00	luggage net		1	
10	986 504 181 00	cover bulkhead engine compartment		1	

Model	Year	MG	SG	Illustration	Restrictions	Update					
987	07	8	07	807-05		203	7:45	25.08.2006	PORSCHE	PET	PORSCHE

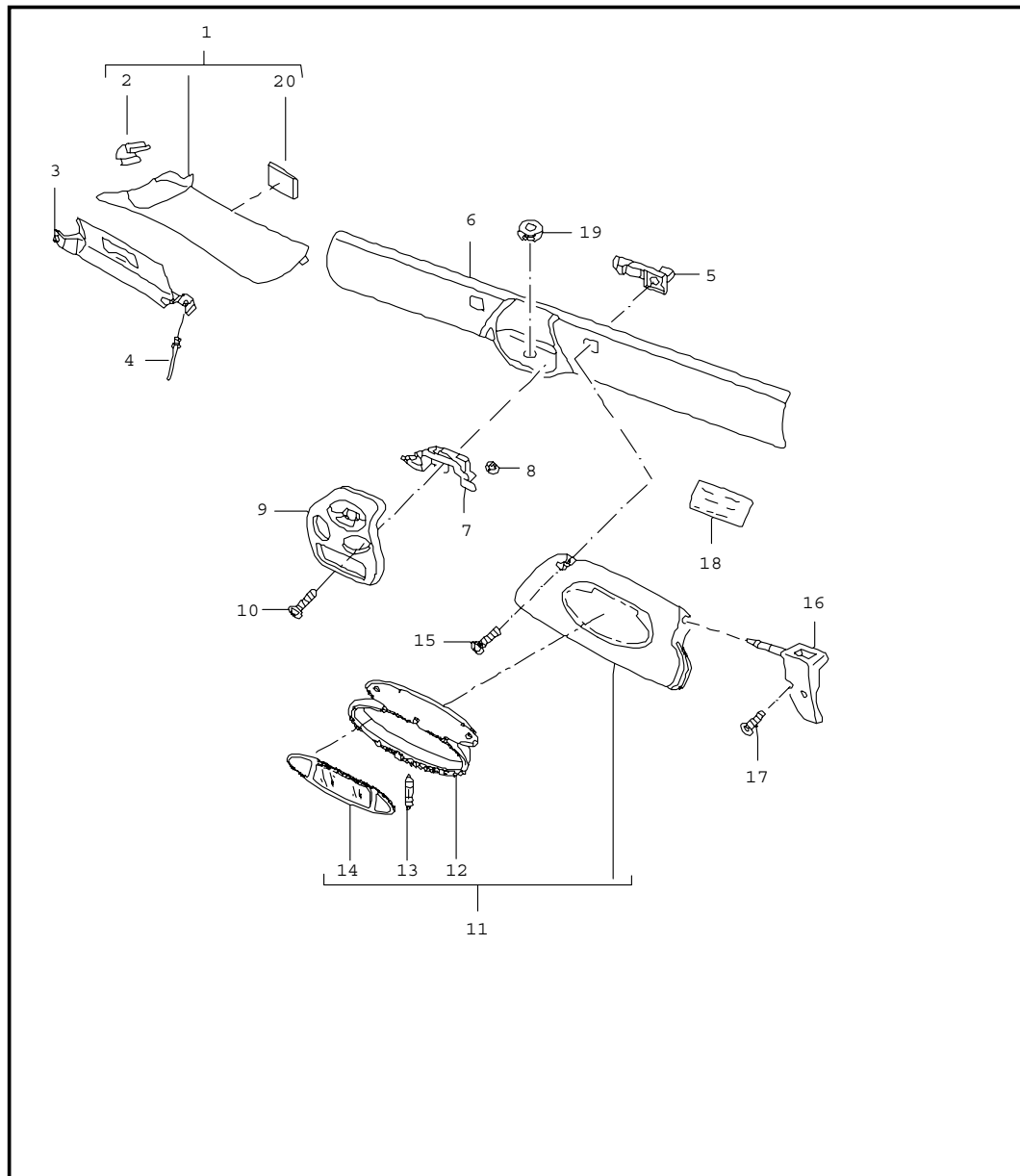
Pos	Part Number	Name	Remarks	Qty	Model	Pos	Part Number	Name	Remarks	Qty	Model
11	987 551 033 00	lining cross member carpet		1							
	A10	black									
	B10	stone grey									
	T10	sand beige									
	E10	sea blue									
	J10	palmgreen									
	M10	terracotta									
	R10	cocoa									
	D11	dark grey/natural									
	T11	brown/natural									
12	987 551 035 00	lining rear wall carpet		1							
	A10	black									
	B10	stone grey									
	T10	sand beige									
	E10	sea blue									
	J10	palmgreen									
	M10	terracotta									
	R10	cocoa									
	D11	dark grey/natural									
	T11	brown/natural									
13	999 049 020 40	plastic nut T5/30 X 5,1		4							
14	999 591 869 02	speed nut M 8		5							
		- - - E N D - - -									

Model	Year	MG	SG	Illustration	Restrictions	Update	7:45	25.08.2006	PORSCHE	PET	PORSCHE
987	07	8	07	807-07		203					



Pos	Part Number	Name	Remarks	Qty	Model
		storage box			I584
1	987 551 223 00	storage box		1	I584
		FNF black			
		FNG stone grey			
		FNH sand beige			
		FNJ sea blue			
		FNK palmgreen			
		FNL terracotta			
		FNM cocoa			
		FNN dark grey/natural			
		FNO brown/natural			
2	986 551 427 00	rose		1	I584
		01C satin black			
3	986 551 429 00	catch		2	I584
		01C satin black			
4	986 551 543 00	thrust washer 40 X 3 X 24		2	I584
		01C satin black			
5	986 551 435 00	tray appendix	/L	1	I584
		01C satin black			
(5)	986 551 436 00	tray appendix	/R	1	I584
		01C satin black			
6	999 919 164 09	oval-head screw 5 X 12		7	I584
		- - - E N D - - -			

Model	Year	MG	SG	Illustration	Restrictions	Update	7:46	25.08.2006	PORSCHE	PET	PORSCHE
987	07	8	07	807-09		203					



Pos	Part Number	Name	Remarks	Qty	Model
1	987 555 181 00	windscreen frame sun visors	/L 05	1	
	A03	black			
(1)	987 555 182 00	lining a-pillar	/R 05	1	
	A03	black			
(1)	987 555 181 03	lining a-pillar	/L 06-	1	
	A03	black			
(1)	987 555 182 03	lining a-pillar	/R 06-	1	
	A03	black			
(2)	999 507 681 09	clamp 2,5/3,0	05	2	
(2)	999 507 047 09	clamp 3,6	06	2	
3	986 555 291 00	deformation element a-pillar	/L 05	1	
(3)	986 555 292 00	deformation element a-pillar	/R 05	1	
4	999 190 167 30	blind rivet 4,0 X 6,3	-06	X	
4	999 190 184 01	blind rivet 4,0 X 8,5	07-	X	
5	986 731 541 01	plate support sun visor		2	
6	986 555 059 01	lining windscreen frame		1	
	A03	black			
(6)	986 555 059 03	lining windscreen frame		1	I267
	A03	black			
7	986 613 799 00	microswitch locking device convertible top		1	

Model	Year	MG	SG	Illustration	Restrictions	Update	7:46	25.08.2006	PORSCHE	PET	PORSCHE
987	07	8	07	807-09		203					

Pos	Part Number	Name	Remarks	Qty	Model	Pos	Part Number	Name	Remarks	Qty	Model
8	999 507 534 02	clamping washer 2,5		2			D12	dark grey/natural			
9	986 561 235 03	mounting locking device convertible top		1		(11)	987 731 982 00	sun visor leather	/LL/R-05	1	IXMR/098
	A09	rally black					A11	black			
10	999 073 166 09	countersunk-head screw M 6 X 25		2			5X6	stone grey			
(11)	987 731 031 10	sun visor	/L	1			8G2	sand beige			
	A12	black					3S9	sea blue			
11	987 731 032 10	sun visor	/R	1			4P2	palmgreen			
	A12	black					9S5	terracotta			
(11)	987 731 981 00	sun visor leather	/LL/L-05	1	IXMR/098		9V6	cocoa			
	A11	black					D12	dark grey/natural			
	5X6	stone grey				(11)	987 731 982 09	sun visor leather	/LL/R06-	1	IXMR/098
	8G2	sand beige					A11	black			
	3S9	sea blue					5X6	stone grey			
	4P2	palmgreen					8G2	sand beige			
	9S5	terracotta					3S9	sea blue			
	9V6	cocoa					4P2	palmgreen			
	D12	dark grey/natural					9S5	terracotta			
	T12	brown/natural					9V6	cocoa			
(11)	987 731 981 09	sun visor leather	/LL/L06-	1	IXMR/098		D12	dark grey/natural			
	A11	black				(11)	987 731 981 01	sun visor leather	/RL/L-05	1	IXMR/099
	5X6	stone grey					A11	black			
	8G2	sand beige					5X6	stone grey			
	3S9	sea blue					8G2	sand beige			
	4P2	palmgreen					3S9	sea blue			
	9S5	terracotta					4P2	palmgreen			
	9V6	cocoa									

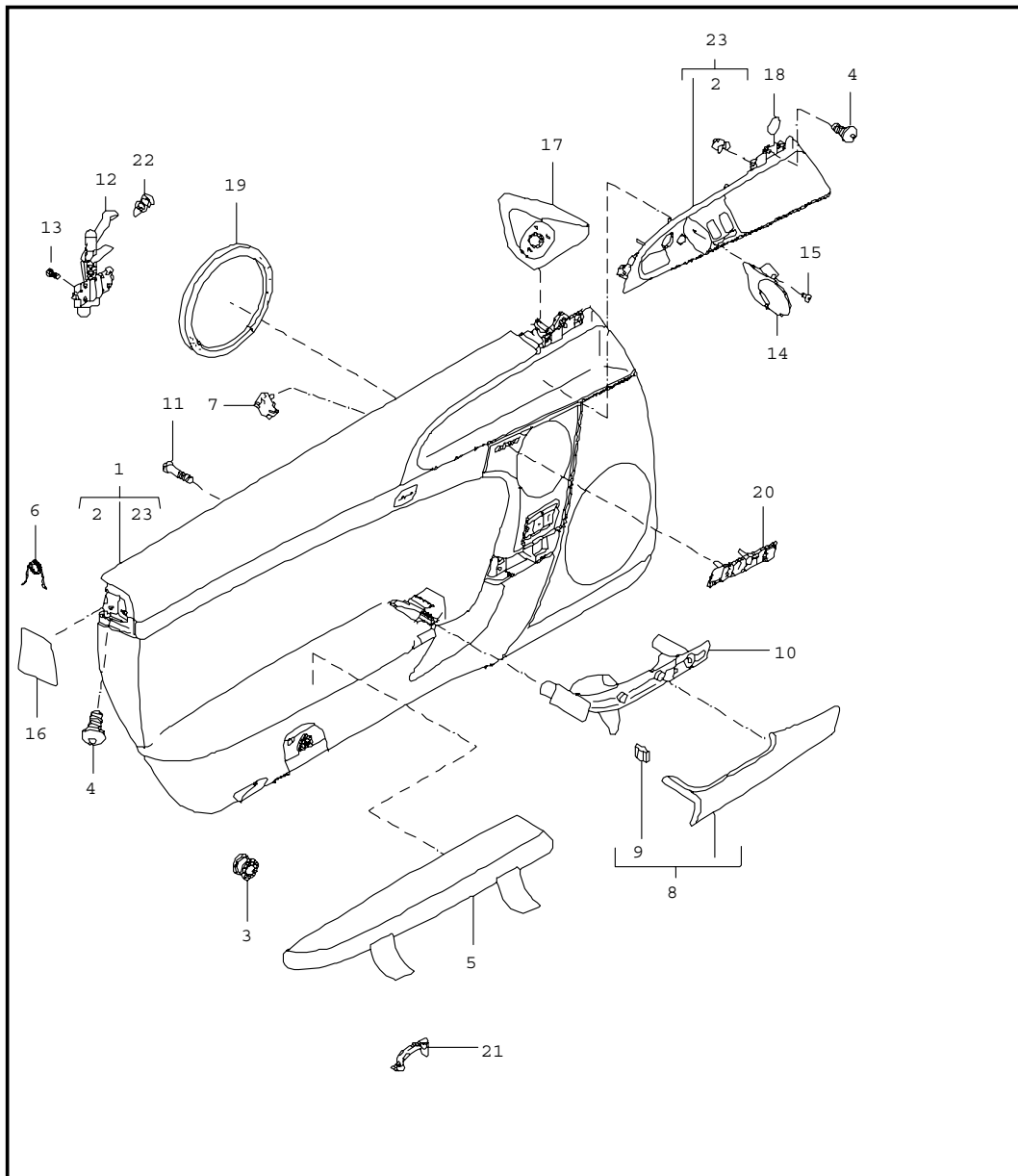
Model	Year	MG	SG	Illustration	Restrictions	Update	7:46	25.08.2006	PORSCHE	PET	PORSCHE
987	07	8	07	807-09		203					

Pos	Part Number	Name	Remarks	Qty	Model	Pos	Part Number	Name	Remarks	Qty	Model
		9S5 terracotta					3S9	sea blue			
		9V6 cocoa					4P2	palmgreen			
		D12 dark grey/natural					9S5	terracotta			
		T12 brown/natural					9V6	cocoa			
(11)	987 731 981 10	sun visor leather	/RL/L06-	1	IXMR/099		D12	dark grey/natural			
		A11 black				12	996 731 903 00	mirror housing with illumination		1	
		5X6 stone grey					01C	satin black			
		8G2 sand beige				13	999 631 147 90	bulb 3 W		2	
		3S9 sea blue				14	996 731 531 01	mirror glass with frame		2	
		4P2 palmgreen					01C	satin black			
		9S5 terracotta				15	999 919 120 09	oval-head screw 4,0 X 18		2	
		9V6 cocoa				(16)	987 561 307 00	mounting	/L	1	
		D12 dark grey/natural					A09	rally black			
		T12 brown/natural				16	987 561 308 00	mounting	/R	1	
(11)	987 731 982 01	sun visor leather	/RL/R-05	1	IXMR/099		A09	rally black			
		A11 black				17	999 073 166 09	countersunk-head screw M 6 X 25		4	
		5X6 stone grey				18	987 701 401 06	indication sticker folding top control german		1	I488
		8G2 sand beige				18	987 701 401 07	indication sticker folding top control english		1	I130
		3S9 sea blue				18	987 701 401 08	indication sticker folding top control french		1	I126/113
		4P2 palmgreen				18	987 701 401 09	indication sticker folding top control italian		1	I034
		9S5 terracotta									
		9V6 cocoa									
		D12 dark grey/natural									
		T12 brown/natural									
(11)	987 731 982 10	sun visor leather	/RL/R06-	1	IXMR/099						
		A11 black									
		5X6 stone grey									
		8G2 sand beige									

Model	Year	MG	SG	Illustration	Restrictions	Update					
987	07	8	07	807-09		203	7:46	25.08.2006	PORSCHE	PET	PORSCHE

Pos	Part Number	Name	Remarks	Qty	Model	Pos	Part Number	Name	Remarks	Qty	Model
18	987 701 401 10	indication sticker folding top control spanish		1	I119						
18	987 701 401 11	indication sticker folding top control japanese		1	I193						
19	996 555 619 00	grommet wiring harness rain sensor		1	I267						
20	999 551 134 40	adhesive tape 20 x 65		2							
		- - - E N D - - -									

Model	Year	MG	SG	Illustration	Restrictions	Update	7:46	25.08.2006	PORSCHE	PET	PORSCHE
987	07	8	07	807-10		203					



Pos	Part Number	Name	Remarks	Qty	Model
1	997 555 201 00	door trim panel accessories	/LL/L	1	I098
	9L4	black			
	9M5	stone grey			
	9C6	sand beige			
	9D7	sea blue			
	9E8	palmgreen			
(1)	997 555 201 04	door trim panel leatherette	/LL/L	1	I098/490
	9L4	black			
	9M5	stone grey			
	9C6	sand beige			
	9D7	sea blue			
	9E8	palmgreen			
(1)	997 555 201 06	door trim panel leatherette	/L	1	I537
	9L4	black			
	9M5	stone grey			
	9C6	sand beige			
	9D7	sea blue			
	9E8	palmgreen			
(1)	997 555 201 06	door trim panel leatherette	/L	1	I490/537
	9L4	black			
	9M5	stone grey			
	9C6	sand beige			
	9D7	sea blue			
	9E8	palmgreen			
(1)	997 555 202 24	door trim panel leatherette	/LL/R	1	I098

Model	Year	MG	SG	Illustration	Restrictions	Update					
987	07	8	07	807-10		203	7:46	25.08.2006	PORSCHE	PET	PORSCHE

Pos	Part Number	Name	Remarks	Qty	Model	Pos	Part Number	Name	Remarks	Qty	Model
		9L4 black						9D7 sea blue			
		9M5 stone grey						9E8 palmgreen			
		9C6 sand beige				(1)	997 555 202 06	door trim panel leatherette	/R	1	I538
		9D7 sea blue						9L4 black			
		9E8 palmgreen						9M5 stone grey			
(1)	997 555 202 26	door trim panel leatherette	/LL/R	1	I098/490			9C6 sand beige			
		9L4 black						9D7 sea blue			
		9M5 stone grey						9E8 palmgreen			
		9C6 sand beige				(1)	997 555 202 06	door trim panel leatherette	/R	1	I490/538
		9D7 sea blue						9L4 black			
		9E8 palmgreen						9M5 stone grey			
(1)	997 555 202 26	door trim panel leatherette	/R	1	I537			9C6 sand beige			
		9L4 black						9D7 sea blue			
		9M5 stone grey						9E8 palmgreen			
		9C6 sand beige				(1)	997 555 201 24	door trim panel leatherette	/RL/L	1	I099
		9D7 sea blue						9L4 black			
		9E8 palmgreen						9M5 stone grey			
(1)	997 555 202 00	door trim panel leatherette	/RL/R	1	I099			9C6 sand beige			
		9L4 black						9D7 sea blue			
		9M5 stone grey						9E8 palmgreen			
		9C6 sand beige				(1)	997 555 201 26	door trim panel leatherette	/RL/L	1	I099/490
		9D7 sea blue						9L4 black			
		9E8 palmgreen						9M5 stone grey			
(1)	997 555 202 04	door trim panel leatherette	/RL/R	1	I099/490			9C6 sand beige			
		9L4 black						9D7 sea blue			
		9M5 stone grey						9E8 palmgreen			
		9C6 sand beige				(1)	997 555 201 26	door trim panel leatherette	/L	1	I538

Model	Year	MG	SG	Illustration	Restrictions	Update	7:46	25.08.2006	PORSCHE	PET	PORSCHE
987	07	8	07	807-10		203					

Pos	Part Number	Name	Remarks	Qty	Model	Pos	Part Number	Name	Remarks	Qty	Model
	9L4	black					9D7	sea blue			
	9M5	stone grey					9E8	palmgreen			
	9C6	sand beige				(1)	997 555 202 10	door trim panel leatherette	/R	1	I538/680
	9D7	sea blue					9L4	black			
	9E8	palmgreen					9M5	stone grey			
(1)	997 555 201 08	door trim panel leatherette	/LL/L	1	I098/680		9C6	sand beige			
	9L4	black					9D7	sea blue			
	9M5	stone grey					9E8	palmgreen			
	9C6	sand beige				(1)	997 555 201 28	door trim panel leatherette	/RL/L	1	I099/680
	9D7	sea blue					9L4	black			
	9E8	palmgreen					9M5	stone grey			
(1)	997 555 201 10	door trim panel leatherette	/L	1	I537/680		9C6	sand beige			
	9L4	black					9D7	sea blue			
	9M5	stone grey					9E8	palmgreen			
	9C6	sand beige				(1)	997 555 201 05	door trim panel leather	/LL/L	1	I098/490/981
	9D7	sea blue					FSA	black			
	9E8	palmgreen					FSB	stone grey			
(1)	997 555 202 28	door trim panel leatherette	/LL/R	1	I098/680		FSC	sand beige			
	9L4	black					FSD	sea blue			
	9M5	stone grey					FSE	palmgreen			
	9C6	sand beige					FSF	terracotta			
	9D7	sea blue					FSG	cocoa			
	9E8	palmgreen					FSH	dark grey/natural			
(1)	997 555 202 08	door trim panel leatherette	/RL/R	1	I099/680		FSJ	brown/natural			
	9L4	black					BCB	black/stone grey			
	9M5	stone grey				(1)	997 555 201 07	door trim panel leather	/L	1	I490/537/981
	9C6	sand beige					FSA	black			

Model	Year	MG	SG	Illustration	Restrictions	Update	7:46	25.08.2006	PORSCHE	PET	PORSCHE
987	07	8	07	807-10		203					

Pos	Part Number	Name	Remarks	Qty	Model	Pos	Part Number	Name	Remarks	Qty	Model
	FSB	stone grey					FSH	dark grey/natural			
	FSC	sand beige					FSJ	brown/natural			
	FSD	sea blue					BCB	black/stone grey			
	FSE	palmgreen				(1)	997 555 202 27	door trim panel leather	/R	1	I537/981
	FSF	terracotta					FSA	black			
	FSG	cocoa					FSB	stone grey			
	FSH	dark grey/natural					FSC	sand beige			
	FSJ	brown/natural					FSD	sea blue			
	BCB	black/stone grey					FSE	palmgreen			
(1)	997 555 201 07	door trim panel leather	/L	1	I537/981		FSF	terracotta			
	FSA	black					FSG	cocoa			
	FSB	stone grey					FSH	dark grey/natural			
	FSC	sand beige					FSJ	brown/natural			
	FSD	sea blue					BCB	black/stone grey			
	FSE	palmgreen				(1)	997 555 202 05	door trim panel leather	/RL/R	1	I099/490
	FSF	terracotta					FSA	black			
	FSG	cocoa					FSB	stone grey			
	FSH	dark grey/natural					FSC	sand beige			
	FSJ	brown/natural					FSD	sea blue			
	BCB	black/stone grey					FSE	palmgreen			
(1)	997 555 202 27	door trim panel leather	/LL/R	1	I098/490/981		FSF	terracotta			
	FSA	black					FSG	cocoa			
	FSB	stone grey					FSH	dark grey/natural			
	FSC	sand beige					FSJ	brown/natural			
	FSD	sea blue					BCB	black/stone grey			
	FSE	palmgreen				(1)	997 555 202 07	door trim panel leather	/R	1	I490/538/981
	FSF	terracotta					FSA	black			
	FSG	cocoa					FSB	stone grey			

Model	Year	MG	SG	Illustration	Restrictions	Update					
987	07	8	07	807-10		203	7:46	25.08.2006	PORSCHE	PET	PORSCHE

Pos	Part Number	Name	Remarks	Qty	Model	Pos	Part Number	Name	Remarks	Qty	Model
	FSC	sand beige					FSJ	brown/natural			
	FSD	sea blue					BCB	black/stone grey			
	FSE	palmgreen				(1)	997 555 201 27	door trim panel leather	/L	1	I538/981
	FSF	terracotta					FSA	black			
	FSG	cocoa					FSB	stone grey			
	FSH	dark grey/natural					FSC	sand beige			
	FSJ	brown/natural					FSD	sea blue			
	BCB	black/stone grey					FSE	palmgreen			
(1)	997 555 202 07	door trim panel leather	/R	1	I538/981		FSF	terracotta			
	FSA	black					FSG	cocoa			
	FSB	stone grey					FSH	dark grey/natural			
	FSC	sand beige					FSJ	brown/natural			
	FSD	sea blue					BCB	black/stone grey			
	FSE	palmgreen				(1)	997 555 201 09	door trim panel leather	/LL/L	1	I098/680/981
	FSF	terracotta					FSA	black			
	FSG	cocoa					FSB	stone grey			
	FSH	dark grey/natural					FSC	sand beige			
	FSJ	brown/natural					FSD	sea blue			
	BCB	black/stone grey					FSE	palmgreen			
(1)	997 555 201 27	door trim panel leather	/RL/L	1	I099/490/981		FSF	terracotta			
	FSA	black					FSG	cocoa			
	FSB	stone grey					FSH	dark grey/natural			
	FSC	sand beige					FSJ	brown/natural			
	FSD	sea blue					BCB	black/stone grey			
	FSE	palmgreen				(1)	997 555 201 11	door trim panel leather		1	I537/680/981
	FSF	terracotta					FSA	black			
	FSG	cocoa					FSB	stone grey			
	FSH	dark grey/natural					FSC	sand beige			

Model	Year	MG	SG	Illustration	Restrictions	Update					
987	07	8	07	807-10		203	7:46	25.08.2006	PORSCHE	PET	PORSCHE

Pos	Part Number	Name	Remarks	Qty	Model	Pos	Part Number	Name	Remarks	Qty	Model
	FSD	sea blue					BCB	black/stone grey			
	FSE	palmgreen				(1)	997 555 202 11	door trim panel leather	/R	1	I538/680/981
	FSF	terracotta					FSA	black			
	FSG	cocoa					FSB	stone grey			
	FSH	dark grey/natural					FSC	sand beige			
	FSJ	brown/natural					FSD	sea blue			
	BCB	black/stone grey					FSE	palmgreen			
(1)	997 555 202 29	door trim panel leather	/LL/R	1	I098/680/981		FSF	terracotta			
	FSA	black					FSG	cocoa			
	FSB	stone grey					FSH	dark grey/natural			
	FSC	sand beige					FSJ	brown/natural			
	FSD	sea blue					BCB	black/stone grey			
	FSE	palmgreen				(1)	997 555 201 29	door trim panel leather	/L	1	I099/680/981
	FSF	terracotta					FSA	black			
	FSG	cocoa					FSB	stone grey			
	FSH	dark grey/natural					FSC	sand beige			
	FSJ	brown/natural					FSD	sea blue			
	BCB	black/stone grey					FSE	palmgreen			
(1)	997 555 202 09	door trim panel leather	/RL/R	1	I099/680/981		FSF	terracotta			
	FSA	black					FSG	cocoa			
	FSB	stone grey					FSH	dark grey/natural			
	FSC	sand beige					FSJ	brown/natural			
	FSD	sea blue					BCB	black/stone grey			
	FSE	palmgreen				2	999 507 533 02	clamp 8,0 X 10/2,5		2	
	FSF	terracotta				3	955 555 243 00	fixing clip		9	
	FSG	cocoa				4	999 073 322 02	oval-head screw 6 X 20 for mount door trim panel		5	
	FSH	dark grey/natural									
	FSJ	brown/natural									

Model	Year	MG	SG	Illustration	Restrictions	Update					
987	07	8	07	807-10		203	7:46	25.08.2006	PORSCHE	PET	PORSCHE

Pos	Part Number	Name	Remarks	Qty	Model	Pos	Part Number	Name	Remarks	Qty	Model
5	987 555 221 01	cover	/L	1	BOXSTER		FSE	palmgreen			
	1MZ	black					FSF	terracotta			
	1YP	stone grey					FSG	cocoa			
	1TK	sand beige					FSH	dark grey/natural			
	1VM	sea blue					FSJ	brown/natural			
	1UL	palmgreen				(5)	997 555 989 00	cover shelf carbon	/L	1	IXTL
(5)	987 555 222 01	cover shelf	/R	1	BOXSTER		A35	black			
	1MZ	black				(5)	997 555 990 00	cover shelf carbon	/R	1	IXTL
	1YP	stone grey					A35	black			
	1TK	sand beige				(5)	997 555 989 01	cover shelf	/L	1	IXTU
	1VM	sea blue					S62	sycamore wood			
	1UL	palmgreen				(5)	997 555 990 01	cover shelf	/R	1	IXTU
(5)	997 555 221 01	cover shelf leather	/L	1			S62	sycamore wood			
	FSA	black				(5)	997 555 989 02	cover shelf	/L	1	IXTT
	FSB	stone grey					S61	makassar			
	FSC	sand beige				(5)	997 555 990 02	cover shelf	/R	1	IXTT
	FSD	sea blue					S61	makassar			
	FSE	palmgreen				(5)	997 555 989 03	cover shelf	/L	1	IXTW
	FSF	terracotta					V04	galvano silver			
	FSG	cocoa				(5)	997 555 990 03	cover shelf	/R	1	IXTW
	FSH	dark grey/natural					V04	galvano silver			
	FSJ	brown/natural				6	997 555 833 00	spring for cover shelf	/L	1	
(5)	997 555 222 01	cover shelf leather	/R	1							
	FSA	black									
	FSB	stone grey									
	FSC	sand beige									
	FSD	sea blue									

Model	Year	MG	SG	Illustration	Restrictions	Update	7:46	25.08.2006	PORSCHE	PET	PORSCHE
987	07	8	07	807-10		203					

Pos	Part Number	Name	Remarks	Qty	Model	Pos	Part Number	Name	Remarks	Qty	Model
(6)	997 555 834 00	spring for cover shelf	/R	1			FSA	black			
							FSB	stone grey			
7	997 555 841 00	damper shelf		1			FSC	sand beige			
							FSD	sea blue			
8	987 555 271 01	handle upper part	/L	1	BOXSTER		FSE	palmgreen			
	A11	black					FSF	terracotta			
	5X6	stone grey					FSG	cocoa			
	8G2	sand beige					FSH	dark grey/natural			
	3S9	sea blue					FSJ	brown/natural			
	4P2	palmgreen				(8)	987 555 987 00	handle upper part	/L	1	IXTL
(8)	987 555 272 01	handle upper part	/R	1	BOXSTER		A11	black			
	A11	black					5X6	stone grey			
	5X6	stone grey					8G2	sand beige			
	8G2	sand beige					3S9	sea blue			
	3S9	sea blue					4P2	palmgreen			
	4P2	palmgreen					9S5	terracotta			
(8)	987 555 271 02	handle upper part	/L	1			9V6	cocoa			
	FSA	black					D12	dark grey/natural			
	FSB	stone grey					T12	brown/natural			
	FSC	sand beige				(8)	987 555 988 00	handle upper part	/R	1	IXTL
	FSD	sea blue					A11	black			
	FSE	palmgreen					5X6	stone grey			
	FSF	terracotta					8G2	sand beige			
	FSG	cocoa					3S9	sea blue			
	FSH	dark grey/natural					4P2	palmgreen			
	FSJ	brown/natural					9S5	terracotta			
(8)	987 555 272 02	handle upper part	/R	1			9V6	cocoa			
							D12	dark grey/natural			

Model	Year	MG	SG	Illustration	Restrictions	Update					
987	07	8	07	807-10		203	7:46	25.08.2006	PORSCHE	PET	PORSCHE

Pos	Part Number	Name	Remarks	Qty	Model	Pos	Part Number	Name	Remarks	Qty	Model
		T12 brown/natural						9V6 cocoa			
(8)	987 555 987 01	handle upper part	/L	1	IXTU		D12 dark grey/natural				
	A11	black					T12 brown/natural				
	5X6	stone grey				(8)	987 555 988 02	handle upper part	/R	1	IXTT
	8G2	sand beige					A11	black			
	3S9	sea blue					5X6	stone grey			
	4P2	palmgreen					8G2	sand beige			
	9S5	terracotta					3S9	sea blue			
	9V6	cocoa					4P2	palmgreen			
	D12	dark grey/natural					9S5	terracotta			
	T12	brown/natural					9V6	cocoa			
(8)	987 555 988 01	handle upper part	/R	1	IXTU		D12 dark grey/natural				
	A11	black					T12 brown/natural				
	5X6	stone grey				(8)	987 555 987 03	handle upper part	/L	1	IXTW
	8G2	sand beige					A11	black			
	3S9	sea blue					5X6	stone grey			
	4P2	palmgreen					8G2	sand beige			
	9S5	terracotta					3S9	sea blue			
	9V6	cocoa					4P2	palmgreen			
	D12	dark grey/natural					9S5	terracotta			
	T12	brown/natural					9V6	cocoa			
(8)	987 555 987 02	handle upper part	/L	1	IXTT		D12 dark grey/natural				
	A11	black					T12 brown/natural				
	5X6	stone grey				(8)	987 555 988 03	handle upper part	/R	1	IXTW
	8G2	sand beige					A11	black			
	3S9	sea blue					5X6	stone grey			
	4P2	palmgreen					8G2	sand beige			
	9S5	terracotta					3S9	sea blue			

Model	Year	MG	SG	Illustration	Restrictions	Update					
987	07	8	07	807-10		203	7:46	25.08.2006	PORSCHE	PET	PORSCHE

Pos	Part Number	Name	Remarks	Qty	Model	Pos	Part Number	Name	Remarks	Qty	Model
	4P2	palmgreen				11	999 919 229 02	oval-head screw 6,0 X 40,0 for mount handle		2	
	9S5	terracotta									
	9V6	cocoa									
	D12	dark grey/natural				12	997 555 381 01	mounting for shaft	/L	1	
	T12	brown/natural				(12)	997 555 382 01	mounting for shaft	/R	1	
9	999 591 380 02	cable clamp		4		13	999 919 164 09	oval-head screw 5 X 12 for mount mounting for shaft		3	
10	987 555 261 01	handle lower part	/L	1							
	A11	black									
	5X6	stone grey				14	997 555 461 00	lever door opener	/L	1	
	8G2	sand beige					V05	galvano silver			
	3S9	sea blue				(14)	997 555 462 00	lever door opener	/R	1	
	4P2	palmgreen					V05	galvano silver			
	9S5	terracotta				15	999 919 164 09	oval-head screw 5 X 12 for mount lever door opener		1	
	9V6	cocoa									
	D12	dark grey/natural									
	T12	brown/natural									
(10)	987 555 262 01	handle lower part	/R	1		16	997 555 683 00	cap airbag	/L	1	
	A11	black					A03	black			
	5X6	stone grey					5V7	stone grey			
	8G2	sand beige					5Z1	sand beige			
	3S9	sea blue					8W7	sea blue			
	4P2	palmgreen					5Y2	palmgreen			
	9S5	terracotta					8X8	terracotta			
	9V6	cocoa					8P9	cocoa			
	D12	dark grey/natural					T13	brown/natural			
	T12	brown/natural				(16)	997 555 684 00	cap airbag	/R	1	
							A03	black			
							5V7	stone grey			

Model	Year	MG	SG	Illustration	Restrictions	Update	7:46	25.08.2006	PORSCHE	PET	PORSCHE
987	07	8	07	807-10		203					

Pos	Part Number	Name	Remarks	Qty	Model	Pos	Part Number	Name	Remarks	Qty	Model
	5Z1	sand beige					A03	black			
	8W7	sea blue					5V7	stone grey			
	5Y2	palmgreen					5Z1	sand beige			
	8X8	terracotta					8W7	sea blue			
	8P9	cocoa					5Y2	palmgreen			
	T13	brown/natural					8X8	terracotta			
17	997 555 685 02	cover door mirror driver's side lacquered	/LL/L	1	I098		8P9	cocoa			
	A03	black				(17)	997 555 685 03	cover door mirror passenger's side lacquered	/RL/L	1	I099
	5V7	stone grey					T13	brown/natural			
	5Z1	sand beige					A03	black			
	8W7	sea blue					5V7	stone grey			
	5Y2	palmgreen					5Z1	sand beige			
	8X8	terracotta					8W7	sea blue			
	8P9	cocoa					5Y2	palmgreen			
	T13	brown/natural					8X8	terracotta			
(17)	997 555 686 03	cover door mirror driver's side lacquered	/RL/R	1	I099		8P9	cocoa			
	A03	black				18	997 555 577 00	cap handle liner		1	
	5V7	stone grey					A03	black			
	5Z1	sand beige					5V7	stone grey			
	8W7	sea blue					8W7	sea blue			
	5Y2	palmgreen					5Y2	palmgreen			
	8X8	terracotta					8X8	terracotta			
	8P9	cocoa					8P9	cocoa			
	T13	brown/natural					T13	brown/natural			
(17)	997 555 686 02	cover door mirror passenger's side lacquered	/LL/R	1	I098	19	997 555 895 00	plastic foam strip for woofer		1	

Model	Year	MG	SG	Illustration	Restrictions	Update					
987	07	8	07	807-10		203	7:46	25.08.2006	PORSCHE	PET	PORSCHE

Pos	Part Number	Name	Remarks	Qty	Model	Pos	Part Number	Name	Remarks	Qty	Model
20	997 645 511 00	logo		2	I680		8P9	cocoa			
21	997 555 597 00	spacer lid hinge		2			T13	brown/natural			
22	999 702 281 40	grommet mounting for shaft		1		(23)	997 555 351 04	insert handle liner lacquered	/RL/L	1	I099
23	997 555 351 03	insert handle liner lacquered	/LL/L	1	I098		A03	black			
	A03	black					5V7	stone grey			
	5V7	stone grey					8W7	sea blue			
	8W7	sea blue					5Y2	palmgreen			
	5Y2	palmgreen					8X8	terracotta			
	8X8	terracotta					8P9	cocoa			
	8P9	cocoa					T13	brown/natural			
	T13	brown/natural				23	997 555 985 00	insert handle liner leather	/LL/L	1	IXTV/098
(23)	997 555 352 03	insert handle liner lacquered	/RL/R	1	I099		A11	black			
	A03	black					5X6	stone grey			
	5V7	stone grey					8G2	sand beige			
	8W7	sea blue					3S9	sea blue			
	5Y2	palmgreen					4P2	palmgreen			
	8X8	terracotta					9S5	terracotta			
	8P9	cocoa					9V6	cocoa			
	T13	brown/natural					D12	dark grey/natural			
	T13	brown/natural					T12	brown/natural			
(23)	997 555 352 04	insert handle liner lacquered	/LL/R	1	I098	(23)	997 555 986 01	insert handle liner leather	/RL/R	1	IXTV/099
	A03	black					A11	black			
	5V7	stone grey					5X6	stone grey			
	8W7	sea blue					8G2	sand beige			
	5Y2	palmgreen					3S9	sea blue			
	8X8	terracotta					4P2	palmgreen			

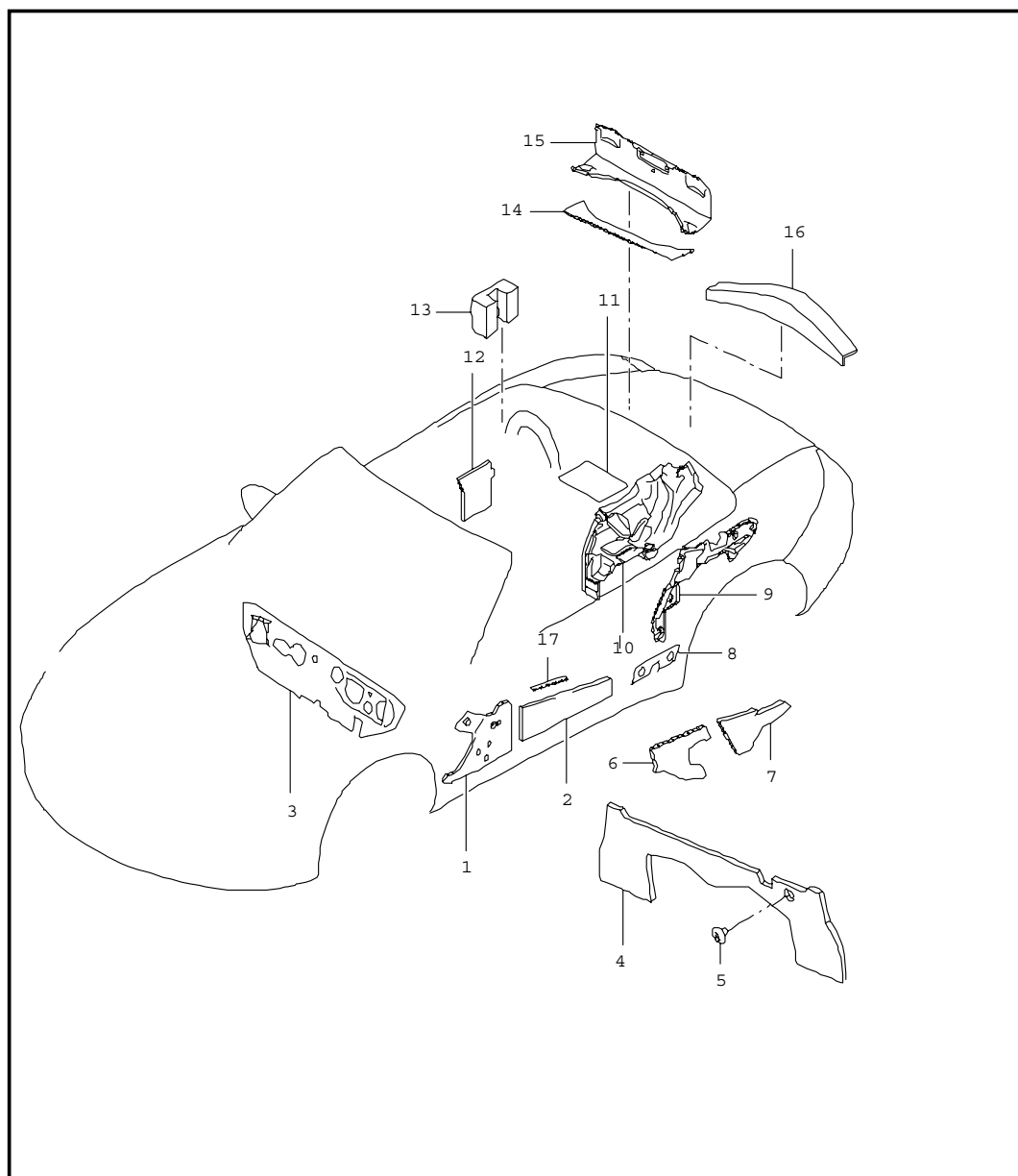
Model	Year	MG	SG	Illustration	Restrictions	Update					
987	07	8	07	807-10		203	7:46	25.08.2006	PORSCHE	PET	PORSCHE

Pos	Part Number	Name	Remarks	Qty	Model	Pos	Part Number	Name	Remarks	Qty	Model
	9S5	terracotta				(23)	997 555 986 04	insert handle liner carbon	/RL/R	1	IXTL/099
	9V6	cocoa					A35	black			
	D12	dark grey/natural				(23)	997 555 986 03	insert handle liner carbon	/LL/R	1	IXTL/098
	T12	brown/natural					A35	black			
(23)	997 555 986 00	insert handle liner leather	/LL/R	1	IXTV/098	(23)	997 555 985 05	insert handle liner carbon	/RL/L	1	IXTL/099
	A11	black					A35	black			
	5X6	stone grey					A35	black			
	8G2	sand beige				23	997 555 985 06	insert handle liner	/LL/L	1	IXTU/098
	3S9	sea blue					S62	sycamore wood			
	4P2	palmgreen				(23)	997 555 986 07	insert handle liner	/RL/R	1	IXTU/099
	9S5	terracotta					S62	sycamore wood			
	9V6	cocoa				(23)	997 555 986 06	insert handle liner	/LL/R	1	IXTU/098
	D12	dark grey/natural					S62	sycamore wood			
	T12	brown/natural				(23)	997 555 985 08	insert handle liner	/RL/L	1	IXTU/099
(23)	997 555 985 02	insert handle liner leather	/RL/L	1	IXTV/099		S62	sycamore wood			
	A11	black					S62	sycamore wood			
	5X6	stone grey				23	997 555 985 09	insert handle liner	/LL/L	1	IXTT/098
	8G2	sand beige					S61	makassar			
	3S9	sea blue				(23)	997 555 986 10	insert handle liner	/RL/R	1	IXTT/099
	4P2	palmgreen					S61	makassar			
	9S5	terracotta				(23)	997 555 986 09	insert handle liner	/LL/R	1	IXTT/098
	9V6	cocoa					S61	makassar			
	D12	dark grey/natural					S61	makassar			
	T12	brown/natural				(23)	997 555 985 11	insert handle liner	/RL/L	1	IXTT/099
23	997 555 985 03	insert handle liner carbon	/LL/L	1	IXTL/098		S61	makassar			
	A35	black					S61	makassar			

Model	Year	MG	SG	Illustration	Restrictions	Update					
987	07	8	07	807-10		203	7:46	25.08.2006	PORSCHE	PET	PORSCHE

Pos	Part Number	Name	Remarks	Qty	Model	Pos	Part Number	Name	Remarks	Qty	Model
23	997 555 985 12	insert handle liner	/LL/L	1	IXTW/098						
	V04	galvano silver									
(23)	997 555 986 13	insert handle liner	/RL/R	1	IXTW/099						
	V04	galvano silver									
(23)	997 555 986 12	insert handle liner	/LL/R	1	IXTW/098						
	V04	galvano silver									
(23)	997 555 985 14	insert handle liner	/RL/L	1	IXTW/099						
	V04	galvano silver									
		- - - E N D - - -									

Model	Year	MG	SG	Illustration	Restrictions	Update	7:46	25.08.2006	PORSCHE	PET	PORSCHE
987	07	8	07	807-15		203					

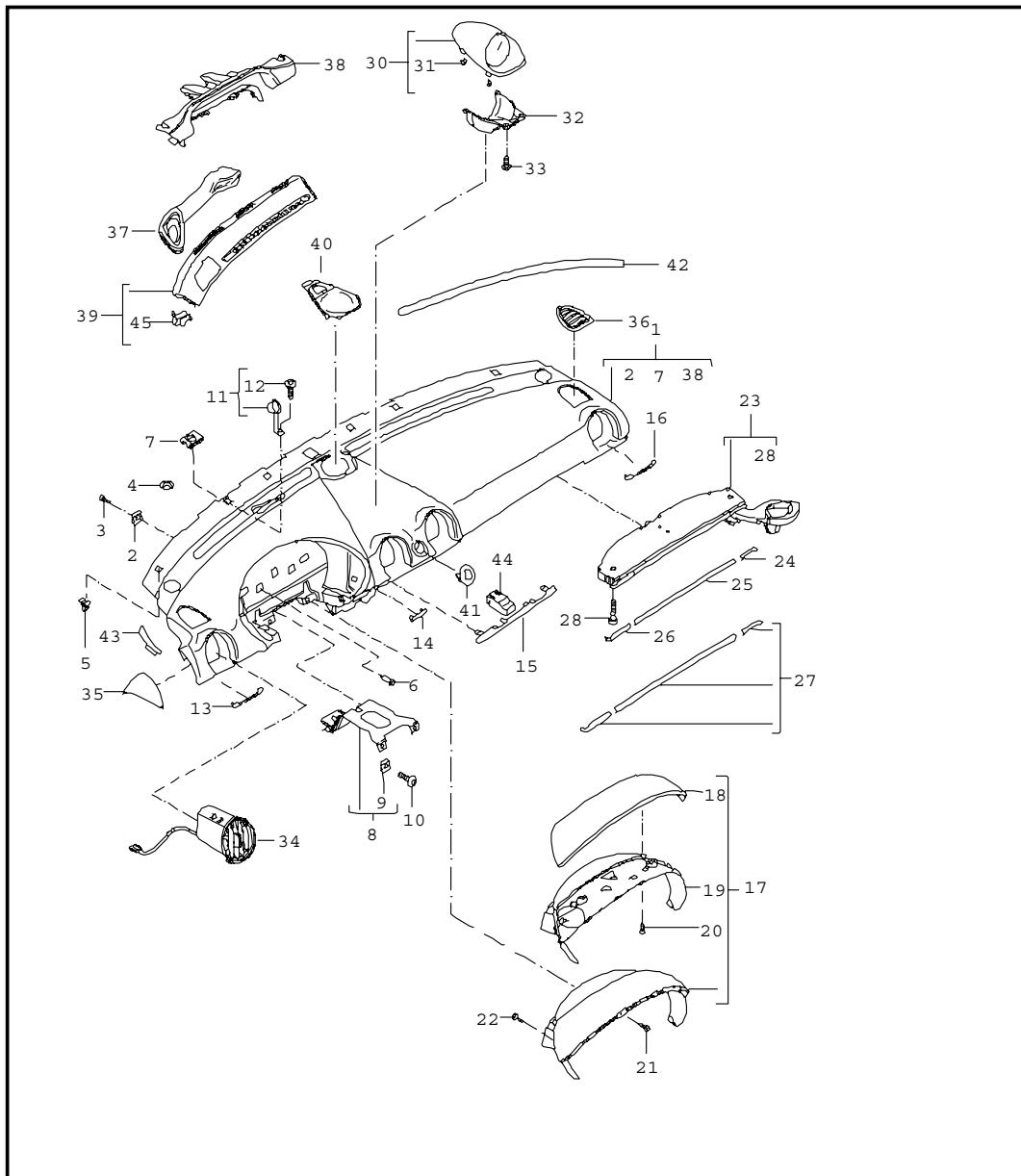


Pos	Part Number	Name	Remarks	Qty	Model
		body sound proofing 1			
1	997 556 605 00	sound absorber wheel housing front	/L	1	
(1)	997 556 606 00	sound absorber wheel housing front	/R	1	
2	997 556 531 00	insulation door	05	2	
2	997 537 551 00	insulation door	06-	2	
3	997 556 723 00	sound absorber firewall	/LL	1	I098
(3)	997 556 724 00	sound absorber firewall	/RL	1	I099
4	987 556 741 00	sound absorber engine compartment rear wall		1	
5	999 049 020 40	plastic nut T5 / 30 X 5,1		1	
(6)	987 556 721 00	sound absorber engine compartment lateral	/L	1	
6	987 556 722 00	sound absorber engine compartment lateral	/R	1	
7	987 556 724 00	sound absorber engine compartment lateral rear	/R	1	
8	987 556 683 00	insulation side section		2	
9	987 556 663 00	sound absorber convertible top compartm. outer	/L	1	
(9)	987 556 664 00	sound absorber convertible top compartm. outer	/R	1	
10	987 556 623 02	sound absorber convertible top compartm. lateral	/L	1	

Model	Year	MG	SG	Illustration	Restrictions	Update	7:46	25.08.2006	PORSCHE	PET	PORSCHE
987	07	8	07	807-15		203					

Pos	Part Number	Name	Remarks	Qty	Model	Pos	Part Number	Name	Remarks	Qty	Model
(10)	987 556 624 02	sound absorber convertible top compartm. lateral	/R	1							
11	987 556 601 00	insulation engine cover		1							
(12)	987 556 603 00	sound absorber cover seat belt	/L	1							
12	987 556 604 00	sound absorber cover seat belt	/R	1							
13	987 556 671 00	sound absorber roll-over bar		2							
14	987 556 627 00	insulation convertible top compartm.		1							
15	987 556 621 00	sound absorber convertible top compartm.		1							
16	987 556 665 00	sound absorber cross member rear		1							
17	997 537 553 00	insulation reinforcement door	06-	4							
		- - - E N D - - -									

Model	Year	MG	SG	Illustration	Restrictions	Update	7:46	25.08.2006	PORSCHE	PET	PORSCHE
987	07	8	09	809-00		203					



Pos	Part Number	Name	Remarks	Qty	Model
1	987 552 101 10	dashboard trim upper part with accessories	/LL	1	I098
	9L4	black			
	9M5	stone grey			
	9C6	sand beige			
	9D7	sea blue			
	9E8	palmgreen			
(1)	987 552 102 10	dashboard upper part leatherette	/RL	1	I099
	9L4	black			
	9M5	stone grey			
	9C6	sand beige			
	9D7	sea blue			
	9E8	palmgreen			
(1)	987 552 101 12	dashboard upper part leatherette	/LL	1	I098/639/640
	9L4	black			
	9M5	stone grey			
	9C6	sand beige			
	9D7	sea blue			
	9E8	palmgreen			
(1)	987 552 102 12	dashboard upper part leatherette	/RL	1	I099/639/640
	9L4	black			
	9M5	stone grey			
	9C6	sand beige			
	9D7	sea blue			

Model	Year	MG	SG	Illustration	Restrictions	Update	7:46	25.08.2006	PORSCHE	PET	PORSCHE
987	07	8	09	809-00		203					

Pos	Part Number	Name	Remarks	Qty	Model	Pos	Part Number	Name	Remarks	Qty	Model
(1)	987 552 101 07	9E8 palmgreen dashboard upper part leather	/LL -05	1	I098/981	(1)	987 552 102 11	4P2 palmgreen 9S5 terracotta 9V6 cocoa D12 dark grey/natural T12 brown/natural dashboard upper part leather	/RL 06-	1	I099/981
(1)	987 552 101 11	A11 black 5X6 stone grey 8G2 sand beige 3S9 sea blue 4P2 palmgreen 9S5 terracotta 9V6 cocoa D12 dark grey/natural T12 brown/natural dashboard upper part leather	/LL 06-	1	I098/981	(1)	987 552 101 09	A11 black 5X6 stone grey 8G2 sand beige 3S9 sea blue 4P2 palmgreen 9S5 terracotta 9V6 cocoa D12 dark grey/natural T12 brown/natural dashboard upper part leather	/LL -05	1	I098/639 I640/981
(1)	987 552 102 07	A11 black 5X6 stone grey 8G2 sand beige 3S9 sea blue	/RL -05	1	I099/981			4P2 palmgreen 9S5 terracotta 9V6 cocoa D12 dark grey/natural T12 brown/natural			

Model	Year	MG	SG	Illustration	Restrictions	Update	7:46	25.08.2006	PORSCHE	PET	PORSCHE
987	07	8	09	809-00		203					

Pos	Part Number	Name	Remarks	Qty	Model	Pos	Part Number	Name	Remarks	Qty	Model
(1)	987 552 101 13	dashboard	/LL 06-	1	I098/639 I640/981		4P2	palmgreen			
		upper part leather					9S5	terracotta			
	A11	black					9V6	cocoa			
	5X6	stone grey					D12	dark grey/natural			
	8G2	sand beige					T12	brown/natural			
	3S9	sea blue				2	999 507 971 01	speed nut ST 4,2 for mount dashboard		X	
	4P2	palmgreen				3	999 073 155 09	tapping screw ST 4,2 X 13 for mount dashboard		X	
	9S5	terracotta				4	999 507 106 02	clamping washer 8,0 for mount dashboard		X	
	9V6	cocoa				5	999 507 732 01	clamp 8,0 X 12,0 /4,0 for mount dashboard		X	
	D12	dark grey/natural				6	999 073 155 09	tapping screw ST 4,2 X 13 for mount dashboard		2	
	T12	brown/natural				7	999 507 020 02	speed nut ST 4,2 for mount dashboard		X	
(1)	987 552 102 09	dashboard	/RL -05	1	I099/639 I640/981	8	997 552 617 01	support dashboard driver's side		1	
		upper part leather				9	999 507 020 02	speed nut ST 4,2		2	
	A11	black				10	999 073 155 09	tapping screw ST 4,2 X 13		2	
	5X6	stone grey				11	997 552 673 00	cover defroster trim		2	
	8G2	sand beige									
	3S9	sea blue									

Model	Year	MG	SG	Illustration	Restrictions	Update				PORSCHE	PET	PORSCHE
987	07	8	09	809-00		203	7:46	25.08.2006				

Pos	Part Number	Name	Remarks	Qty	Model	Pos	Part Number	Name	Remarks	Qty	Model
12	999 073 226 09	tapping screw ST 4,2 X 16		2		(13)	987 552 382 05	moulding driver's side outer	/RL	1	I099/803
13	987 552 381 01	moulding driver's side outer	/LL	1	BOXSTER/I098		A35	black			
	D07	volcano grey				(13)	987 552 986 00	moulding driver's side outer	/LL	1	IXVP/098
(13)	987 552 382 01	moulding driver's side outer	/RL	1	BOXSTER/I099		A11	black			
	D07	volcano grey					5X6	stone grey			
(13)	987 552 381 02	moulding driver's side outer	/LL	1	BOXSTER S I098		8G2	sand beige			
	V04	galvano silver					3S9	sea blue			
(13)	987 552 382 02	moulding driver's side outer	/RL	1	BOXSTER S I099		4P2	palmgreen			
	V04	galvano silver					9S5	terracotta			
(13)	987 552 381 03	moulding driver's side outer	/LL	1	I098/801	(13)	987 552 986 01	moulding driver's side outer	/RL	1	IXVP/099
	S61	makassar					A11	black			
(13)	987 552 382 03	moulding driver's side outer	/RL	1	I099/801		5X6	stone grey			
	S61	makassar					8G2	sand beige			
(13)	987 552 381 04	moulding outer	/LL/L	1	I098/802		3S9	sea blue			
	S62	sycamore wood					4P2	palmgreen			
(13)	987 552 382 04	moulding outer	/RL/R	1	I099/802		9S5	terracotta			
	S62	sycamore wood					9V6	cocoa			
(13)	987 552 381 05	moulding driver's side outer	/LL	1	I098/803	14	987 552 383 01	moulding driver's side inner	/LL	1	BOXSTER/098
	A35	black					D07	volcano grey			

Model	Year	MG	SG	Illustration	Restrictions	Update	7:46	25.08.2006	PORSCHE	PET	PORSCHE
987	07	8	09	809-00		203					

Pos	Part Number	Name	Remarks	Qty	Model	Pos	Part Number	Name	Remarks	Qty	Model
(14)	987 552 384 01	moulding driver's side inner D07 volcano grey	/RL	1	BOXSTER/099	(14)	987 552 987 00	moulding driver's side inner A11 black	/LL	1	IXVP/098
(14)	987 552 383 02	moulding driver's side inner V04 galvano silver	/LL	1	BOXSTER S I098		5X6 stone grey 8G2 sand beige 3S9 sea blue 4P2 palmgreen				
(14)	987 552 384 02	moulding driver's side inner V04 galvano silver	/RL	1	BOXSTER S I099		9S5 terracotta 9V6 cocoa D12 dark grey/natural				
(14)	987 552 383 03	moulding driver's side inner S61 makassar	/LL	1	I098/801	(14)	987 552 987 01	moulding driver's side inner	/RL	1	IXVP/099
(14)	987 552 384 03	moulding driver's side inner S61 makassar	/RL	1	I099/801		A11 black 5X6 stone grey 8G2 sand beige				
(14)	987 552 383 04	moulding driver's side inner S62 sycamore wood	/LL	1	I098/802		3S9 sea blue 4P2 palmgreen 9S5 terracotta				
(14)	987 552 384 04	moulding driver's side inner S62 sycamore wood	/RL	1	I099/802		9V6 cocoa D12 dark grey/natural T12 brown/natural				
(14)	987 552 383 05	moulding driver's side inner A35 black	/LL	1	I098/803	15	987 552 385 01	moulding dashboard centre D07 volcano grey		1	BOXSTER
(14)	987 552 384 05	moulding driver's side inner A35 black	/RL	1	I099/803	(15)	987 552 385 02	moulding dashboard centre V04 galvano silver		1	BOXSTER S

Model	Year	MG	SG	Illustration	Restrictions	Update	7:46	25.08.2006	PORSCHE	PET	PORSCHE
987	07	8	09	809-00		203					

Pos	Part Number	Name	Remarks	Qty	Model	Pos	Part Number	Name	Remarks	Qty	Model
(15)	987 552 585 03	moulding dashboard centre		1	I801	(16)	987 552 387 02	moulding passenger's side	/RL	1	BOXSTER S I099
	S61	makassar					V04	galvano silver			
(15)	987 552 585 04	moulding dashboard centre		1	I802	(16)	987 552 388 03	moulding passenger's side	/LL	1	I098/801
	S62	sycamore wood					S61	makassar			
(15)	987 552 585 05	moulding dashboard centre		1	I803	(16)	987 552 387 03	moulding passenger's side	/RL	1	I099/801
	A35	black					S61	makassar			
(15)	987 552 981 00	moulding dashboard centre		1	IXVP	(16)	987 552 388 04	moulding passenger's side	/LL	1	I098/802
	A11	black					S62	sycamore wood			
	5X6	stone grey				(16)	987 552 387 04	moulding passenger's side	/RL	1	I099/802
	8G2	sand beige					S62	sycamore wood			
	3S9	sea blue				(16)	987 552 388 05	moulding passenger's side	/LL	1	I098/803
	4P2	palmgreen					A35	black			
	9S5	terracotta				(16)	987 552 387 05	moulding passenger's side	/LL	1	I099/803
	9V6	cocoa					A35	black			
	D12	dark grey/natural				(16)	987 552 982 00	moulding passenger's side	/LL	1	IXVP/098
	T12	brown/natural					A11	black			
16	987 552 388 01	moulding passenger's side	/LL	1	BOXSTER/I098		5X6	stone grey			
	D07	volcano grey					8G2	sand beige			
(16)	987 552 387 01	moulding passenger's side	/RL	1	BOXSTER/I099		3S9	sea blue			
	D07	volcano grey					4P2	palmgreen			
(16)	987 552 388 02	moulding passenger's side	/LL	1	BOXSTER S I098		9S5	terracotta			
	V04	galvano silver					9V6	cocoa			
							D12	dark grey/natural			
							T12	brown/natural			

Model	Year	MG	SG	Illustration	Restrictions	Update	7:46	25.08.2006	PORSCHE	PET	PORSCHE
987	07	8	09	809-00		203					

Pos	Part Number	Name	Remarks	Qty	Model	Pos	Part Number	Name	Remarks	Qty	Model
(16)	987 552 982 01	moulding passenger's side	/RL	1	IXVP/099		FSD	seeblue/grey			
	A11	black					FSE	palm-green/palm-green			
	5X6	stone grey					FSF	terrakotta/terrakotta			
	8G2	sand beige					FSG	cocoa/cocoa			
	3S9	sea blue					FSH	darkgrey natural/grey			
	4P2	palmgreen					FSJ	brown nat./brown nat.			
	9S5	terracotta				(17)	987 552 022 01	instrument box complete	/RL	1	I981
	9V6	cocoa					FSA	black/grey			
	D12	dark grey/natural					FSB	stone grey/stone grey			
	T12	brown/natural					FSC	sand beige/sand beige			
17	987 552 021 00	instrument box complete leatherette	/LL	1	I098		FSD	seeblue/grey			
	9L4	black					FSE	palm-green/palm-green			
	9M5	stone grey					FSF	terrakotta/terrakotta			
	9C6	sand beige					FSG	cocoa/cocoa			
	9D7	sea blue					FSH	darkgrey natural/grey			
	9E8	palmgreen					FSJ	brown nat./brown nat.			
(17)	987 552 022 00	instrument box complete leatherette	/RL	1	I099	(17)	987 552 990 00	instrument box complete	/LL	1	IXNG
	9L4	black					9L4	black			
	9M5	stone grey					9M5	stone grey			
	9C6	sand beige					9C6	sand beige			
	9D7	sea blue					9D7	sea blue			
	9E8	palmgreen					9E8	palmgreen			
(17)	987 552 021 01	instrument box complete	/LL	1	I981	(17)	987 552 990 01	instrument box complete	/RL	1	IXNG
	FSA	black/grey					9L4	black			
	FSB	stone grey/stone grey					9M5	stone grey			
	FSC	sand beige/sand beige					9C6	sand beige			
							9D7	sea blue			
							9E8	palmgreen			

Model	Year	MG	SG	Illustration	Restrictions	Update					
987	07	8	09	809-00		203	7:46	25.08.2006	PORSCHE	PET	PORSCHE

Pos	Part Number	Name	Remarks	Qty	Model	Pos	Part Number	Name	Remarks	Qty	Model
(17)	987 552 990 02	instrument box complete	/LL	1	IXNG/981		9L4	black			
	A11	black					9M5	stone grey			
	5X6	stone grey					9C6	sand beige			
	8G2	sand beige					9D7	sea blue			
	3S9	sea blue					9E8	palmgreen			
	4P2	palmgreen				(17)	987 552 990 06	instrument box complete	/LL	1	IXCL/981
	9S5	terracotta					A11	black			
	9V6	cocoa					5X6	stone grey			
	D12	dark grey/natural					8G2	sand beige			
	T12	brown/natural					3S9	sea blue			
(17)	987 552 990 03	instrument box complete	/RL	1	IXNG/981		4P2	palmgreen			
	A11	black					9S5	terracotta			
	5X6	stone grey					9V6	cocoa			
	8G2	sand beige					D12	dark grey/natural			
	3S9	sea blue					T12	brown/natural			
	4P2	palmgreen				(17)	987 552 990 07	instrument box complete	/RL	1	IXCL/981
	9S5	terracotta					A11	black			
	9V6	cocoa					5X6	stone grey			
	D12	dark grey/natural					8G2	sand beige			
	T12	brown/natural					3S9	sea blue			
(17)	987 552 990 04	instrument box complete	/LL	1	IXCL		4P2	palmgreen			
	9L4	black					9S5	terracotta			
	9M5	stone grey					9V6	cocoa			
	9C6	sand beige					D12	dark grey/natural			
	9D7	sea blue					T12	brown/natural			
	9E8	palmgreen				18	987 552 121 02	instrument box upper part leatherette	/LL	1	
(17)	987 552 990 05	instrument box complete	/RL	1	IXCL		9L4	black			

Model	Year	MG	SG	Illustration	Restrictions	Update	7:46	25.08.2006	PORSCHE	PET	PORSCHE
987	07	8	09	809-00		203					

Pos	Part Number	Name	Remarks	Qty	Model	Pos	Part Number	Name	Remarks	Qty	Model
	9M5	stone grey					FSG	cocoa/cocoa			
	9C6	sand beige					FSH	darkgrey natural/grey			
	9D7	sea blue					FSJ	brown nat./brown nat.			
	9E8	palmgreen				19	987 552 227 01	cover instrument cluster	/LL	1	
18	987 552 122 02	instrument box upper part leatherette	/RL	1			A03	black			
	9L4	black					5V7	stone grey			
	9M5	stone grey					5Z1	sand beige			
	9C6	sand beige					8W7	sea blue			
	9D7	sea blue					5Y2	palmgreen			
	9E8	palmgreen					8X8	terracotta			
(18)	987 552 121 03	instrument box upper part	/LL	1	I981		8P9	cocoa			
	FSA	black/grey				(19)	987 552 228 01	cover instrument cluster	/RL	1	
	FSB	stone grey/stone grey					A03	black			
	FSC	sand beige/sand beige					5V7	stone grey			
	FSD	seeblue/grey					5Z1	sand beige			
	FSE	palm-green/palm-green					8W7	sea blue			
	FSF	terrakotta/terrakotta					5Y2	palmgreen			
	FSG	cocoa/cocoa					8X8	terracotta			
	FSH	darkgrey natural/grey					8P9	cocoa			
	FSJ	brown nat./brown nat.					T13	brown/natural			
(18)	987 552 122 03	instrument box upper part	/RL	1	I981	(19)	987 552 989 00	cover instrument cluster	/LL	1	IXNG/981
	FSA	black/grey					A11	black			
	FSB	stone grey/stone grey					5X6	stone grey			
	FSC	sand beige/sand beige					8G2	sand beige			
	FSD	seeblue/grey					3S9	sea blue			
	FSE	palm-green/palm-green					4P2	palmgreen			
	FSF	terrakotta/terrakotta					9S5	terracotta			

Model	Year	MG	SG	Illustration	Restrictions	Update					
987	07	8	09	809-00		203	7:46	25.08.2006	PORSCHE	PET	PORSCHE

Pos	Part Number	Name	Remarks	Qty	Model	Pos	Part Number	Name	Remarks	Qty	Model
		9V6 cocoa				23	997 552 293 01	support beverages without position 24/25/26	/RL -06	1	I099
		D12 dark grey/natural									
		T12 brown/natural									
(19)	987 552 989 01	cover instrument cluster	/RL	1	IXNG/981	(23)	997 552 174 01	support beverages with position 24/25/26	/LL	1	BOXSTER/I098
		A11 black									
		5X6 stone grey						D07 volcano grey			
		8G2 sand beige				(23)	997 552 173 01	support beverages with position 24/25/26	/RL	1	BOXSTER/I099
		3S9 sea blue						D07 volcano grey			
		4P2 palmgreen				(23)	997 552 174 02	support beverages with position 24/25/26	/LL	1	BOXSTER S I098
		9S5 terracotta						V04 galvano silver			
		9V6 cocoa									
		D12 dark grey/natural									
		T12 brown/natural									
(19)	987 552 989 02	cover instrument cluster	/LL	1	IXCL/981	(23)	997 552 173 02	support beverages with position 24/25/26	/RL	1	BOXSTER S I099
		V04 galvano silver						V04 galvano silver			
(19)	987 552 989 03	cover instrument cluster	/RL	1	IXCL/981						
		V04 galvano silver									
20	999 073 340 09	tapping screw ST 3,5 X 11 mount instrument box upper part		2		(23)	997 552 174 03	support with position 24/25/26	/LL	1	I098/801
21	999 073 155 09	tapping screw ST 4,2 X 13		2				S61 makassar			
22	999 073 226 09	tapping screw ST 4,2 X 16 for mount cover instrument cluster		5		(23)	997 552 173 03	support with position 24/25/26	/RL	1	I099/801
								S61 makassar			
23	997 552 294 00	support beverages without position 24/25/26	/LL -06	1	I098	(23)	997 552 174 04	support with position 24/25/26	/LL	1	I098/802

Model	Year	MG	SG	Illustration	Restrictions	Update					
987	07	8	09	809-00		203	7:46	25.08.2006	PORSCHE	PET	PORSCHE

Pos	Part Number	Name	Remarks	Qty	Model	Pos	Part Number	Name	Remarks	Qty	Model
	S62	sycamore wood					8G2	sand beige			
(23)	997 552 173 04	support with position 24/25/26	/RL	1	I099/802		3S9	sea blue			
	S62	sycamore wood					4P2	palmgreen			
(23)	997 552 174 05	support beverages with position 24/25/26	/LL	1	I098/803		9S5	terracotta			
	A35	black					9V6	cocoa			
(23)	997 552 173 05	support beverages with position 24/25/26	/RL	1	I099/803	24	997 552 394 01	cover	/LL/R	1	BOXSTER/I098
	A35	black					D07	volcano grey			
(23)	997 552 988 00	support beverages with position 24/25/26	/LL	1	IXVP/098	(24)	997 552 393 01	cover	/RL/R	1	BOXSTER/I099
	A11	black					D07	volcano grey			
	5X6	stone grey				(24)	997 552 394 02	cover	/LL/R	1	BOXSTER S I098
	8G2	sand beige					V04	galvano silver			
	3S9	sea blue				(24)	997 552 393 02	cover	/RL/R	1	BOXSTER S I099
	4P2	palmgreen					V04	galvano silver			
	9S5	terracotta				(24)	997 552 396 05	cover	/LL/R	1	I098/803
	9V6	cocoa					A35	black			
	D12	dark grey/natural				(24)	997 552 395 05	cover	/RL/R	1	I098/803
	T12	brown/natural					A35	black			
(23)	997 552 988 01	support beverages with position 24/25/26	/RL	1	IXVP/099	(24)	997 552 993 00	cover	/LL/R	1	IXVP/098
	A11	black					A11	black			
	5X6	stone grey					5X6	stone grey			
							8G2	sand beige			
							3S9	sea blue			
							4P2	palmgreen			
							9S5	terracotta			
							9V6	cocoa			
							D12	dark grey/natural			

Model	Year	MG	SG	Illustration	Restrictions	Update	7:46	25.08.2006	PORSCHE	PET	PORSCHE
987	07	8	09	809-00		203					

Pos	Part Number	Name	Remarks	Qty	Model	Pos	Part Number	Name	Remarks	Qty	Model
		T12 brown/natural						5X6 stone grey			
(24)	997 552 993 01	cover	/RL/R	1	IXVP/099			8G2 sand beige			
		A11 black						3S9 sea blue			
		5X6 stone grey						4P2 palmgreen			
		8G2 sand beige						9S5 terracotta			
		3S9 sea blue						9V6 cocoa			
		4P2 palmgreen						D12 dark grey/natural			
		9S5 terracotta						T12 brown/natural			
		9V6 cocoa				(25)	997 552 994 01	cover centre	/RL	1	IXVP/099
		D12 dark grey/natural						A11 black			
		T12 brown/natural						5X6 stone grey			
25	997 552 398 00	cover centre	/LL	1	BOXSTER/I098			8G2 sand beige			
		D07 volcano grey						3S9 sea blue			
(25)	997 552 397 00	cover centre	/RL	1	BOXSTER/I099			4P2 palmgreen			
		D07 volcano grey						9S5 terracotta			
(25)	997 552 398 01	cover centre	/LL	1	BOXSTER S I098			9V6 cocoa			
		V04 galvano silver						D12 dark grey/natural			
(25)	997 552 397 01	cover centre	/RL	1	BOXSTER S I099	26	997 552 396 01	cover	/LL/L	1	BOXSTER/I098
		V04 galvano silver						D07 volcano grey			
(25)	997 552 398 04	cover centre	/LL	1	I098/803	(26)	997 552 395 01	cover	/RL/L	1	BOXSTER/I099
		A35 black						D07 volcano grey			
(25)	997 552 397 04	cover centre	/RL	1	I099/803	(26)	997 552 396 02	cover	/LL/L	1	BOXSTER S I098
		A35 black						V04 galvano silver			
(25)	997 552 994 00	cover centre	/LL	1	IXVP/098	(26)	997 552 395 02	cover	/RL/L	1	BOXSTER S I099
		A11 black						V04 galvano silver			
						(26)	997 552 394 05	cover	/LL/L	1	I098/803
								A35 black			

Model	Year	MG	SG	Illustration	Restrictions	Update	7:46	25.08.2006	PORSCHE	PET	PORSCHE
987	07	8	09	809-00		203					

Pos	Part Number	Name	Remarks	Qty	Model	Pos	Part Number	Name	Remarks	Qty	Model
(26)	997 552 393 05	cover	/RL/L	1	I099/803	27	997 552 904 01	set cover wood	/LL	1	I098/802
	A35	black					S62	sycamore wood			
(26)	997 552 992 00	cover	/LL/L	1	IXVP/098	(27)	997 552 903 01	set cover wood	/RL	1	I099/802
	A11	black					S62	sycamore wood			
	5X6	stone grey				28	900 067 416 01	pan-head screw M5 x 27		2	
	8G2	sand beige				30	987 552 371 00	air box upper part		1	I639/640
	3S9	sea blue					A03	black			
	4P2	palmgreen					5V7	stone grey			
	9S5	terracotta					5Z1	sand beige			
	9V6	cocoa					8W7	sea blue			
	D12	dark grey/natural					5Y2	palmgreen			
	T12	brown/natural				(30)	987 552 371 01	air box upper part		1	I639/640/981
(26)	997 552 992 01	cover	/RL/L	1	IXVP/099		A11	black			
	A11	black					5X6	stone grey			
	5X6	stone grey					8G2	sand beige			
	8G2	sand beige					3S9	sea blue			
	3S9	sea blue					4P2	palmgreen			
	4P2	palmgreen					9S5	terracotta			
	9S5	terracotta					9V6	cocoa			
	9V6	cocoa					D12	dark grey/natural			
	D12	dark grey/natural					T12	brown/natural			
	T12	brown/natural				27	997 552 904 00	set cover wood	/LL	1	I098/801
27	997 552 904 00	set cover wood	/LL	1	I098/801		S61	makassar			
(27)	997 552 903 00	set cover wood	/RL	1	I099/801	31	999 507 920 01	u-clamp 1,7-2,1		4	I639/640
	S61	makassar				32	997 552 373 01	support for air box upper part		1	I639/640

Model	Year	MG	SG	Illustration	Restrictions	Update					
987	07	8	09	809-00		203	7:46	25.08.2006	PORSCHE	PET	PORSCHE

Pos	Part Number	Name	Remarks	Qty	Model	Pos	Part Number	Name	Remarks	Qty	Model
33	999 919 167 09	oval-head screw 3,0 X 10 for mount support air box		4			A03	black			
							5V7	stone grey			
							5Z1	sand beige			
							8W7	sea blue			
34	A 987 552 131 02	air vent	-05	4			5Y2	palmgreen			
	FNE	volcano grey/galvanosilver					8X8	terracotta			
34	987 552 131 03	air vent	06-	4			8P9	cocoa			
	FNE	volcano grey/galvanosilver					T13	brown/natural			
(34)	987 552 980 00	air vent		4	IXVR	36	987 552 455 01	cover defroster vent	/L	1	
	A11	black					A03	black			
	5X6	stone grey					5V7	stone grey			
	8G2	sand beige					5Z1	sand beige			
	3S9	sea blue					8W7	sea blue			
	4P2	palmgreen					5Y2	palmgreen			
	9S5	terracotta					8X8	terracotta			
	9V6	cocoa					8P9	cocoa			
	D12	dark grey/natural					T13	brown/natural			
	T12	brown/natural									
35	987 552 537 01	cover dashboard upper part	/L	1		(36)	987 552 456 01	cover defroster vent	/R	1	
	A03	black					A03	black			
	5V7	stone grey					5V7	stone grey			
	5Z1	sand beige					5Z1	sand beige			
	8W7	sea blue					8W7	sea blue			
	5Y2	palmgreen					5Y2	palmgreen			
	8X8	terracotta					8X8	terracotta			
	8P9	cocoa					8P9	cocoa			
	T13	brown/natural					T13	brown/natural			
(35)	987 552 538 01	cover dashboard upper part	/R	1		37	987 552 315 01	air duct lateral	/L	1	

Model	Year	MG	SG	Illustration	Restrictions	Update	7:46	25.08.2006	PORSCHE	PET	PORSCHE
987	07	8	09	809-00		203					

Pos	Part Number	Name	Remarks	Qty	Model	Pos	Part Number	Name	Remarks	Qty	Model
(37)	987 552 316 01	air duct lateral	/R	1			T12	brown/natural			
38	987 552 271 01	bridge	/LL	1		(38)	987 552 978 01	bridge leather	/RL 06-	1	IXNS/099
	A03	black					A11	black			
	5V7	stone grey					5X6	stone grey			
	5Z1	sand beige					8G2	sand beige			
	8W7	sea blue					3S9	sea blue			
	5Y2	palmgreen					4P2	palmgreen			
	8X8	terracotta					9S5	terracotta			
	8P9	cocoa					9V6	cocoa			
	T13	brown/natural					D12	dark grey/natural			
(38)	987 552 272 01	bridge	/RL	1			T12	brown/natural			
	A03	black				39	997 552 175 01	defroster trim	/L	1	
	5V7	stone grey					A03	black			
	5Z1	sand beige					5V7	stone grey			
	8W7	sea blue					5Z1	sand beige			
	5Y2	palmgreen					8W7	sea blue			
	8X8	terracotta					5Y2	palmgreen			
	8P9	cocoa					8X8	terracotta			
	T13	brown/natural					8P9	cocoa			
38	987 552 978 00	bridge leather	/LL 06-	1	IXNS/098		T13	brown/natural			
	A11	black				(39)	997 552 176 01	defroster trim	/R	1	
	5X6	stone grey					A03	black			
	8G2	sand beige					5V7	stone grey			
	3S9	sea blue					5Z1	sand beige			
	4P2	palmgreen					8W7	sea blue			
	9S5	terracotta					5Y2	palmgreen			
	9V6	cocoa					8X8	terracotta			
	D12	dark grey/natural					8P9	cocoa			
							T13	brown/natural			

Model	Year	MG	SG	Illustration	Restrictions	Update	7:46	25.08.2006	PORSCHE	PET	PORSCHE
987	07	8	09	809-00		203					

Pos	Part Number	Name	Remarks	Qty	Model	Pos	Part Number	Name	Remarks	Qty	Model
(39)	997 552 983 00	defroster trim	/L	1	IXV1		T12	brown/natural			
	A11	black				(39)	997 552 984 01	defroster trim	/R	1	IXKJ
	5X6	stone grey					A11	black			
	8G2	sand beige					5X6	stone grey			
	3S9	sea blue					8G2	sand beige			
	4P2	palmgreen					3S9	sea blue			
	9S5	terracotta					4P2	palmgreen			
	9V6	cocoa					9S5	terracotta			
	D12	dark grey/natural					9V6	cocoa			
	T12	brown/natural					D12	dark grey/natural			
(39)	997 552 984 00	defroster trim	/R	1	IXV1		T12	brown/natural			
	A11	black				(39)	997 552 983 02	defroster trim	/L	1	IXJS
	5X6	stone grey					A11	black			
	8G2	sand beige					5X6	stone grey			
	3S9	sea blue					8G2	sand beige			
	4P2	palmgreen					3S9	sea blue			
	9S5	terracotta					4P2	palmgreen			
	9V6	cocoa					9S5	terracotta			
	D12	dark grey/natural					9V6	cocoa			
	T12	brown/natural					D12	dark grey/natural			
(39)	997 552 983 01	defroster trim	/L	1	IXKJ		T12	brown/natural			
	A11	black				(39)	997 552 984 02	defroster trim	/R	1	IXJS
	5X6	stone grey					A11	black			
	8G2	sand beige					5X6	stone grey			
	3S9	sea blue					8G2	sand beige			
	4P2	palmgreen					3S9	sea blue			
	9S5	terracotta					4P2	palmgreen			
	9V6	cocoa					9S5	terracotta			
	D12	dark grey/natural					9V6	cocoa			

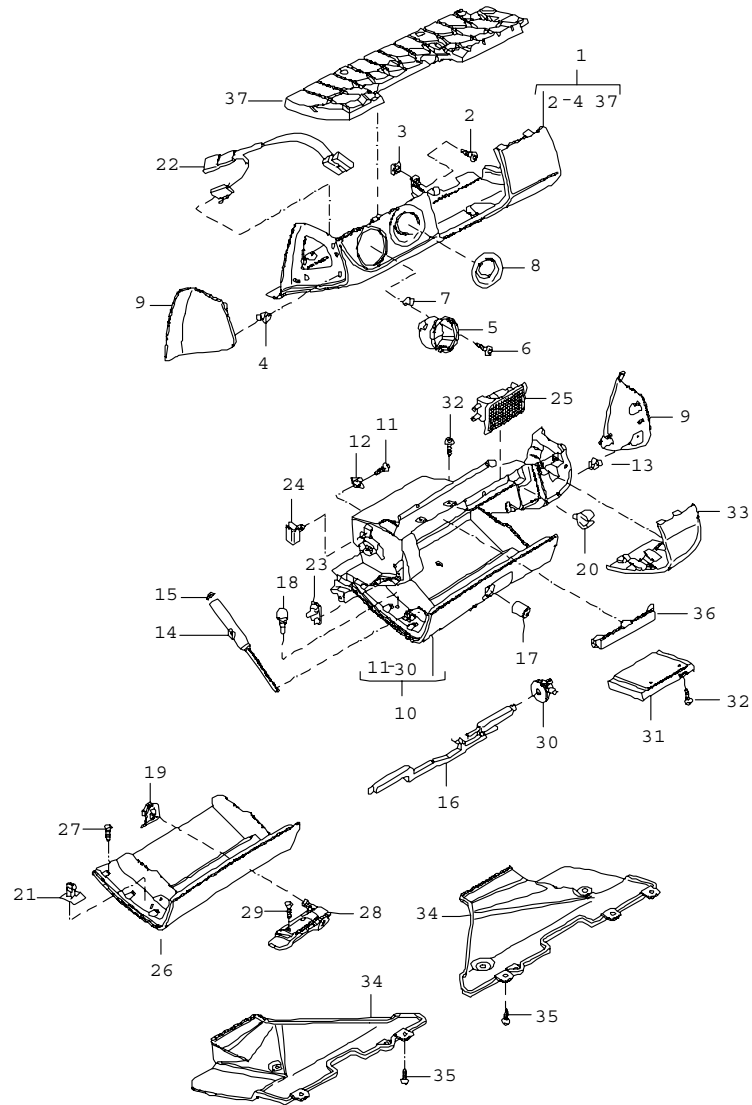
Model	Year	MG	SG	Illustration	Restrictions	Update					
987	07	8	09	809-00		203	7:46	25.08.2006	PORSCHE	PET	PORSCHE

Pos	Part Number	Name	Remarks	Qty	Model	Pos	Part Number	Name	Remarks	Qty	Model
		D12 dark grey/natural						8P9 cocoa			
		T12 brown/natural						T13 brown/natural			
(39)	997 552 983 03	defroster trim	/L	1	IXJR	(40)	997 552 985 00	cover centre		1	IXV1
		A11 black						A11 black			
		5X6 stone grey						5X6 stone grey			
		8G2 sand beige						8G2 sand beige			
		3S9 sea blue						3S9 sea blue			
		4P2 palmgreen						4P2 palmgreen			
		9S5 terracotta						9S5 terracotta			
		9V6 cocoa						9V6 cocoa			
		D12 dark grey/natural						D12 dark grey/natural			
		T12 brown/natural						T12 brown/natural			
(39)	997 552 984 03	defroster trim	/R	1	IXJR	(40)	997 552 985 00	cover centre		1	IXKJ
		A11 black						A11 black			
		5X6 stone grey						5X6 stone grey			
		8G2 sand beige						8G2 sand beige			
		3S9 sea blue						3S9 sea blue			
		4P2 palmgreen						4P2 palmgreen			
		9S5 terracotta						9S5 terracotta			
		9V6 cocoa						9V6 cocoa			
		D12 dark grey/natural						D12 dark grey/natural			
		T12 brown/natural						T12 brown/natural			
40	997 552 351 01	cover centre		1		(40)	997 552 985 00	cover centre		1	IXJS
		A03 black						A11 black			
		5V7 stone grey						5X6 stone grey			
		5Z1 sand beige						8G2 sand beige			
		8W7 sea blue						3S9 sea blue			
		5Y2 palmgreen						4P2 palmgreen			
		8X8 terracotta									

Model	Year	MG	SG	Illustration	Restrictions	Update					
987	07	8	09	809-00		203	7:46	25.08.2006	PORSCHE	PET	PORSCHE

Pos	Part Number	Name	Remarks	Qty	Model	Pos	Part Number	Name	Remarks	Qty	Model
		9S5 terracotta				44	987 552 595 00	mounting switch central locking system		1	
		9V6 cocoa									
		D12 dark grey/natural				45	999 591 307 01	u-clamp mount defroster trim		1	
		T12 brown/natural									
(40)	997 552 985 00	cover centre		1	IXJR			- - - E N D - - -			
		A11 black									
		5X6 stone grey									
		8G2 sand beige									
		3S9 sea blue									
		4P2 palmgreen									
		9S5 terracotta									
		9V6 cocoa									
		D12 dark grey/natural									
		T12 brown/natural									
41	987 552 397 01	cover hazard warning light sw.		1							
		A03 black									
		5V7 stone grey									
		5Z1 sand beige									
		8W7 sea blue									
		5Y2 palmgreen									
		8X8 terracotta									
		8P9 cocoa									
		T13 brown/natural									
42	997 552 645 00	gasket cowl		1							
43	997 552 481 00	insert a-pillar	/L	1							
(43)	997 552 482 00	insert a-pillar	/R	1							

Model	Year	MG	SG	Illustration	Restrictions	Update	7:47	25.08.2006	PORSCHE	PET	PORSCHE
987	07	8	09	809-03		203					



Pos	Part Number	Name	Remarks	Qty	Model
1	997 552 201 02	glove compartment cover and lining driver's side lining leatherette	/LL	1	I098
	1MZ	black			
	1YP	stone grey			
	1TK	sand beige			
	1VM	sea blue			
	1UL	palmgreen			
(1)	997 552 202 02	lining leatherette	/RL	1	I099
	1MZ	black			
	1YP	stone grey			
	1TK	sand beige			
	1VM	sea blue			
	1UL	palmgreen			
(1)	997 552 201 03	lining leather	/LL	1	I098/981
	A11	black			
	5X6	stone grey			
	8G2	sand beige			
	3S9	sea blue			
	4P2	palmgreen			
	9S5	terracotta			
	9V6	cocoa			
	D12	dark grey/natural			
	T12	brown/natural			
(1)	997 552 202 03	lining leather	/RL	1	I099/981
	A11	black			

Model	Year	MG	SG	Illustration	Restrictions	Update					
987	07	8	09	809-03		203	7:47	25.08.2006	PORSCHE	PET	PORSCHE

Pos	Part Number	Name	Remarks	Qty	Model	Pos	Part Number	Name	Remarks	Qty	Model
	5X6	stone grey				8	997 552 425 01	cover ignition starter lock	/LL	1	I098
	8G2	sand beige					A03	black			
	3S9	sea blue					5V7	stone grey			
	4P2	palmgreen					5Z1	sand beige			
	9S5	terracotta					8W7	sea blue			
	9V6	cocoa					5Y2	palmgreen			
	D12	dark grey/natural					8X8	terracotta			
	T12	brown/natural					8P9	cocoa			
2	999 073 155 09	tapping screw 4,2 X 13		7			T13	brown/natural			
3	999 507 971 01	speed nut 4,2		7		(8)	997 552 426 01	cover ignition starter lock	/RL	1	I099
4	999 507 732 01	clamp 8 X 12/ 4 for mount lining		7			A03	black			
5	997 552 427 01	cover light switch		1			5V7	stone grey			
	A03	black					5Z1	sand beige			
	5V7	stone grey					8W7	sea blue			
	5Z1	sand beige					5Y2	palmgreen			
	8W7	sea blue					8X8	terracotta			
	5Y2	palmgreen					8P9	cocoa			
	8X8	terracotta					T13	brown/natural			
	8P9	cocoa				9	997 552 405 02	cover	/L	1	
	T13	brown/natural					A03	black			
6	999 073 155 09	tapping screw 4,2 X 13		3			5V7	stone grey			
7	999 507 971 01	speed nut 4,2 for mount cover light switch		3			5Z1	sand beige			
							8W7	sea blue			
							5Y2	palmgreen			
							8X8	terracotta			
							8P9	cocoa			
							T13	brown/natural			

Model	Year	MG	SG	Illustration	Restrictions	Update	7:47	25.08.2006	PORSCHE	PET	PORSCHE
987	07	8	09	809-03		203					

Pos	Part Number	Name	Remarks	Qty	Model	Pos	Part Number	Name	Remarks	Qty	Model
(9)	997 552 406 02	cover lateral driver's side	/R	1			1VM	sea blue			
	A03	black					1UL	palmgreen			
	5V7	stone grey				10	997 552 204 03	glove compartment leather complete	/LL 05	1	I098/981
	5Z1	sand beige					A11	black			
	8W7	sea blue					5X6	stone grey			
	5Y2	palmgreen					8G2	sand beige			
	8X8	terracotta					3S9	sea blue			
	8P9	cocoa					4P2	palmgreen			
	T13	brown/natural					9S5	terracotta			
10	997 552 204 02	glove compartment leatherette complete	/LL 05	1	I098		9V6	cocoa			
	1MZ	black					D12	dark grey/natural			
	1YP	stone grey				10	997 552 204 05	glove compartment leather complete	/LL 06-	1	I098/981
	1TK	sand beige					A11	black			
	1VM	sea blue					5X6	stone grey			
	1UL	palmgreen					8G2	sand beige			
10	997 552 204 04	glove compartment leatherette complete	/LL 06-	1	I098		3S9	sea blue			
	1MZ	black					4P2	palmgreen			
	1YP	stone grey					9S5	terracotta			
	1TK	sand beige					9V6	cocoa			
	1VM	sea blue					D12	dark grey/natural			
	1UL	palmgreen					T12	brown/natural			
(10)	997 552 203 04	glove compartment leatherette complete	/RL	1	I099	(10)	997 552 203 05	glove compartment leather complete	/RL	1	I099/981
	1MZ	black					A11	black			
	1YP	stone grey					5X6	stone grey			
	1TK	sand beige					8G2	sand beige			

Model	Year	MG	SG	Illustration	Restrictions	Update	7:47	25.08.2006	PORSCHE	PET	PORSCHE
987	07	8	09	809-03		203					

Pos	Part Number	Name	Remarks	Qty	Model	Pos	Part Number	Name	Remarks	Qty	Model
	3S9	sea blue				(19)	997 552 509 03	mounting end plate	/RL/L	1	I099
	4P2	palmgreen				(19)	997 552 510 03	mounting end plate	/RL/R	1	I099
	9S5	terracotta				20	996 552 813 00	support pin		2	
	9V6	cocoa				21	996 552 879 00	adapter for damper		2	
	D12	dark grey/natural				22	997 612 651 00	wiring harness glove compartment light		1	
	T12	brown/natural				23	999 650 564 40	clip for wiring harness microswitch		1	
11	999 073 155 09	tapping screw 4,2 X 13		X		24	999 650 565 40	clip for wiring harness glove compartment light		1	
12	999 507 971 01	speed nut 4,2		X		25	997 632 071 00	glove compartment light		1	
13	999 507 732 01	clamp 8 X 12 /4 for mount glove compartment		X		26	997 552 252 02	glove box cover leatherette	/LL	1	I098
14	997 552 484 01	damper glove compartment		1			1MZ	black			
15	997 552 612 00	cover damper		1			1YP	stone grey			
16	997 552 410 01	release glove compartment	/LL	1	I098		1TK	sand beige			
(16)	997 552 409 01	release glove compartment	/RL	1	I099		1VM	sea blue			
17	996 552 915 00	lock cylinder state lock number		1			1UL	palmgreen			
18	997 555 533 01	stop glove compartment F >>986S7 00139 F >>986U7 00977 F >>986S7 20104 F >>986U7 20649		2		(26)	997 552 251 02	glove box cover leatherette	/RL	1	I099
18	999 703 068 40	buffer 3,7 x 10,3 F 986S7 00140>> F 986U7 00978>> F 986S7 20105>> F 986U7 20650>>		2			1MZ	black			
19	997 552 509 02	mounting end plate	/LL/L	1	I098		1YP	stone grey			
(19)	997 552 510 02	mounting end plate	/LL/R	1	I098		1TK	sand beige			
							1VM	sea blue			
							1UL	palmgreen			
						(26)	997 552 252 03	glove box cover leather	/LL	1	I098/981
							A11	black			

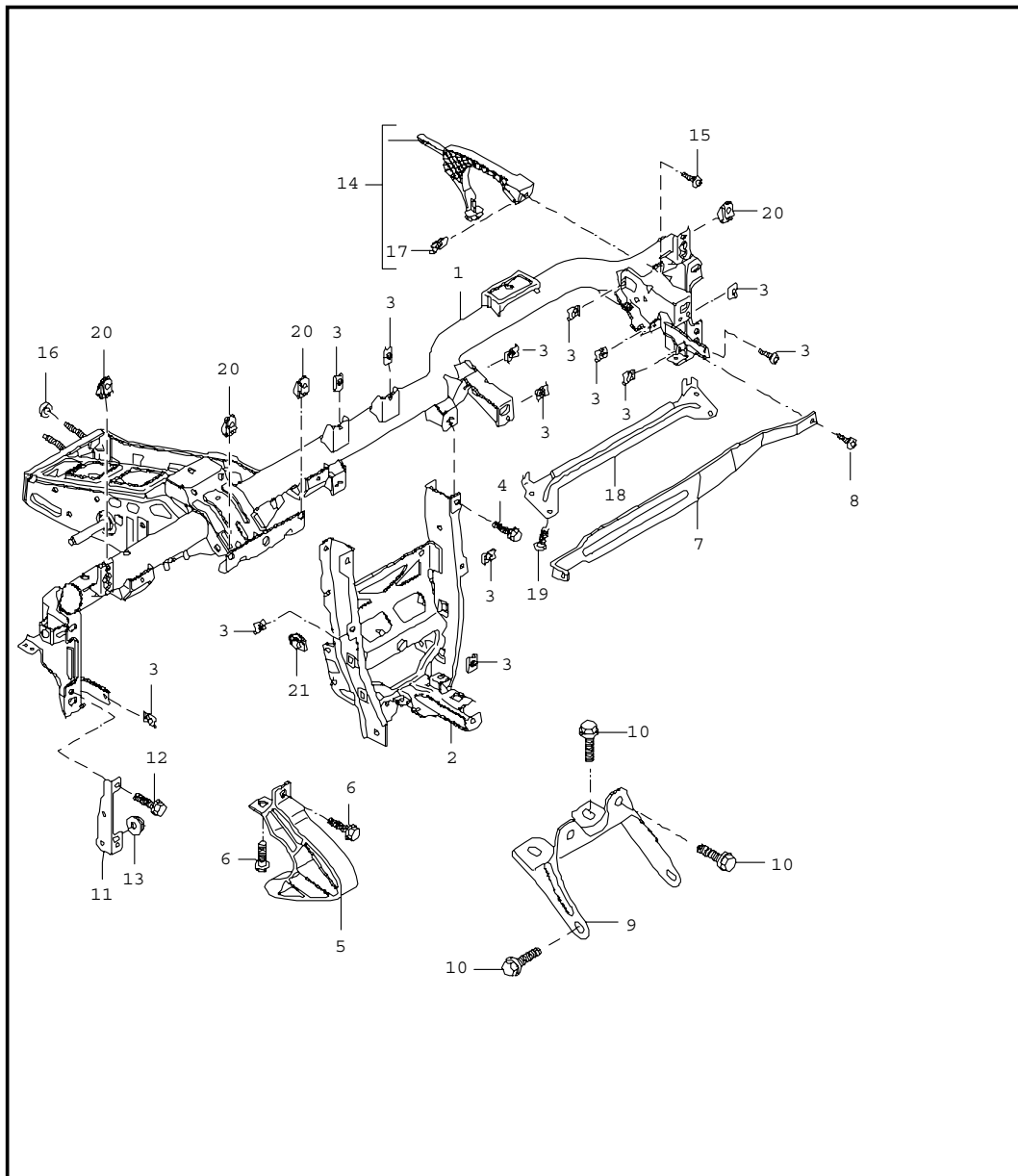
Model	Year	MG	SG	Illustration	Restrictions	Update					
987	07	8	09	809-03		203	7:47	25.08.2006	PORSCHE	PET	PORSCHE

Pos	Part Number	Name	Remarks	Qty	Model	Pos	Part Number	Name	Remarks	Qty	Model
	5X6	stone grey					8P9	cocoa			
	8G2	sand beige					T13	brown/natural			
	3S9	sea blue				(28)	997 552 361 01	handle complete	/RL	1	I099
	4P2	palmgreen					A03	black			
	9S5	terracotta					5V7	stone grey			
	9V6	cocoa					5Z1	sand beige			
	D12	dark grey/natural					8W7	sea blue			
	T12	brown/natural					5Y2	palmgreen			
(26)	997 552 251 03	glove box cover leather	/RL	1	I099/981		8X8	terracotta			
	A11	black					8P9	cocoa			
	5X6	stone grey					T13	brown/natural			
	8G2	sand beige				29	999 073 240 02	screw M 4 X 10 for mount handle		2	
	3S9	sea blue									
	4P2	palmgreen									
	9S5	terracotta				30	997 552 448 00	stop		1	
	9V6	cocoa				31	997 552 663 00	box for cds		1	I424
	D12	dark grey/natural				32	999 073 240 02	screw M 4 X 10 for mount box for cds		2	
	T12	brown/natural									
27	999 073 249 07	tapping screw 3.5 X 12 for mount glove box cover		11							
						33	997 552 256 02	cover passenger's side leatherette	/LL	1	I098
28	997 552 362 01	handle complete	/LL	1	I098		1MZ	black			
	A03	black					1YP	stone grey			
	5V7	stone grey					1TK	sand beige			
	5Z1	sand beige					1VM	sea blue			
	8W7	sea blue					1UL	palmgreen			
	5Y2	palmgreen				(33)	997 552 255 02	cover passenger's side leatherette	/RL	1	I099
	8X8	terracotta					1MZ	black			

Model	Year	MG	SG	Illustration	Restrictions	Update					
987	07	8	09	809-03		203	7:47	25.08.2006	PORSCHE	PET	PORSCHE

Pos	Part Number	Name	Remarks	Qty	Model	Pos	Part Number	Name	Remarks	Qty	Model
	1YP	stone grey				(34)	997 552 413 01	lining footwell passenger's side	/RL	1	I099
	1TK	sand beige									
	1VM	sea blue				35	1H0 819 943	screw for mount lining footwell		X	
	1UL	palmgreen									
33	997 552 256 03	cover passenger's side leather	/LL	1	I098/981	36	997 552 665 00	cover box for cds		1	
	A11	black				37	997 552 451 01	insert	/LL	1	I098
	5X6	stone grey				(37)	997 552 452 01	insert	/RL	1	I099
	8G2	sand beige				38	997 552 649 01	hinge bolt glove compartment		2	
	3S9	sea blue									
	4P2	palmgreen									
	9S5	terracotta									
	9V6	cocoa									
	D12	dark grey/natural									
	T12	brown/natural									
(33)	997 552 255 03	cover passenger's side leather	/RL	1	I099/981						
	A11	black									
	5X6	stone grey									
	8G2	sand beige									
	3S9	sea blue									
	4P2	palmgreen									
	9S5	terracotta									
	9V6	cocoa									
	D12	dark grey/natural									
	T12	brown/natural									
34	997 552 414 01	lining footwell passenger's side	/LL	1	I098						

Model	Year	MG	SG	Illustration	Restrictions	Update	7:47	25.08.2006	PORSCHE	PET	PORSCHE
987	07	8	09	809-04		203					

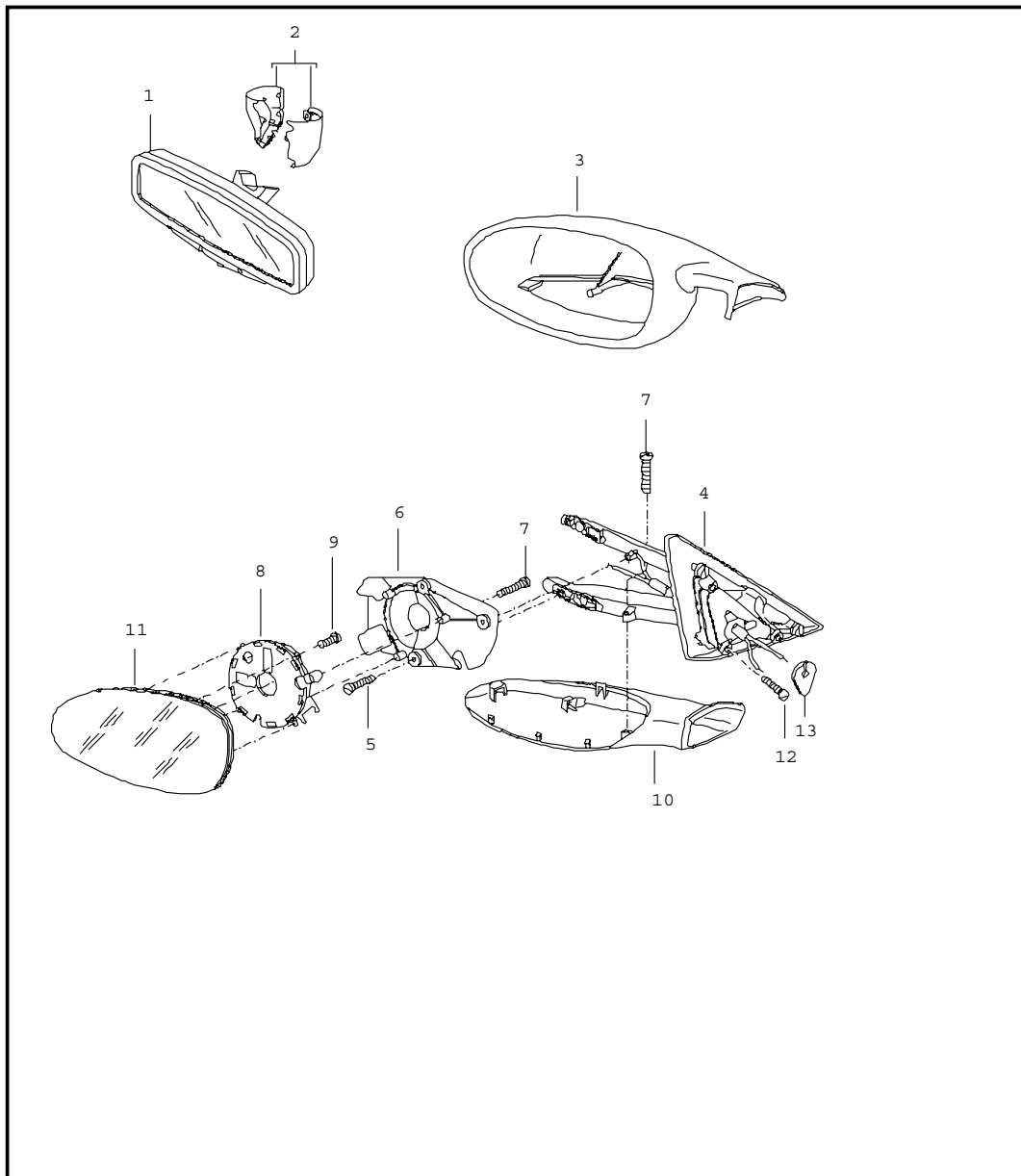


Pos	Part Number	Name	Remarks	Qty	Model
		retaining frame dashboard			
1	997 552 063 03	retaining frame	/LL	1	I098
(1)	997 552 063 04	retaining frame	/RL	1	I099
2	997 552 163 03	support tunnel	/LL	1	I098
(2)	997 552 163 04	support tunnel	/RL	1	I099
3	999 507 020 02	speed nut ST 4,2		X	
4	900 378 175 09	hexagon-head bolt M 8 X 65 for mount support		2	
9	997 552 515 01	support tunnel		1	
10	900 075 432 02	screw M 6 X 18 for mount support tunnel	-06	X	
10 N	999 217 098 01	screw M 6 X 25 for mount support tunnel	07-	X	
11	997 552 407 01	support a-pillar	/L	1	
(11)	997 552 408 01	support a-pillar	/R	1	
12	900 378 176 09	hexagon-head bolt M 8 X 20 for mount support a-pillar		4	
13	999 084 630 09	hexagon nut M 8 for mount support a-pillar		4	

Model	Year	MG	SG	Illustration	Restrictions	Update					
987	07	8	09	809-04		203	7:47	25.08.2006	PORSCHE	PET	PORSCHE

Pos	Part Number	Name	Remarks	Qty	Model	Pos	Part Number	Name	Remarks	Qty	Model
14	997 552 401 00	support heating		1							
15	999 073 155 09	tapping screw ST 4,2 X 13 for mount support heating		1							
16	997 423 299 01	nut for adjustment retaining frame firewall		2							
17	999 507 971 01	speed nut ST 4,2 for mount support heating		1							
18	997 552 603 01	reinforcement plate support airbag		1							
19	900 378 222 09	hexagon-head bolt M 6 X 16		4							
20	999 591 850 02	speed nut ST 4,2		X							
		- - - E N D - - -									

Model	Year	MG	SG	Illustration	Restrictions	Update				
987	07	8	09	809-10		203	7:47	25.08.2006	PORSCHE	PET
									PORSCHE	PORSCHE



Pos	Part Number	Name	Remarks	Qty	Model
1	996 731 511 00	interior mirror door mirror		1	
	01C	satin black			
(1)	987 731 511 00	interior mirror		1	I267
	01C	satin black			
2	997 731 811 00	cover interior mirror	/L	1	I267
	01C	satin black			
2	997 731 812 00	cover interior mirror	/R	1	I267
	01C	satin black			
3	997 731 619 00	housing	/L	1	
	G2L	prime coated			
(3)	997 731 620 00	housing	/R	1	
	G2L	prime coated			
4	997 731 219 00	mirror base door mirror	/LL/L	1	I098
	G2L	prime coated			
(4)	997 731 220 00	mirror base door mirror	/LL/R	1	I098
	G2L	prime coated			
(4)	997 731 219 01	mirror base door mirror	/LL/L	1	I537
	G2L	prime coated			
(4)	997 731 220 01	mirror base door mirror	/LL/R	1	I537
	G2L	prime coated			
(4)	997 731 219 02	mirror base door mirror	/LL/L	1	I098/267
	G2L	prime coated			
(4)	997 731 220 02	mirror base door mirror	/LL/R	1	I098/267
	G2L	prime coated			

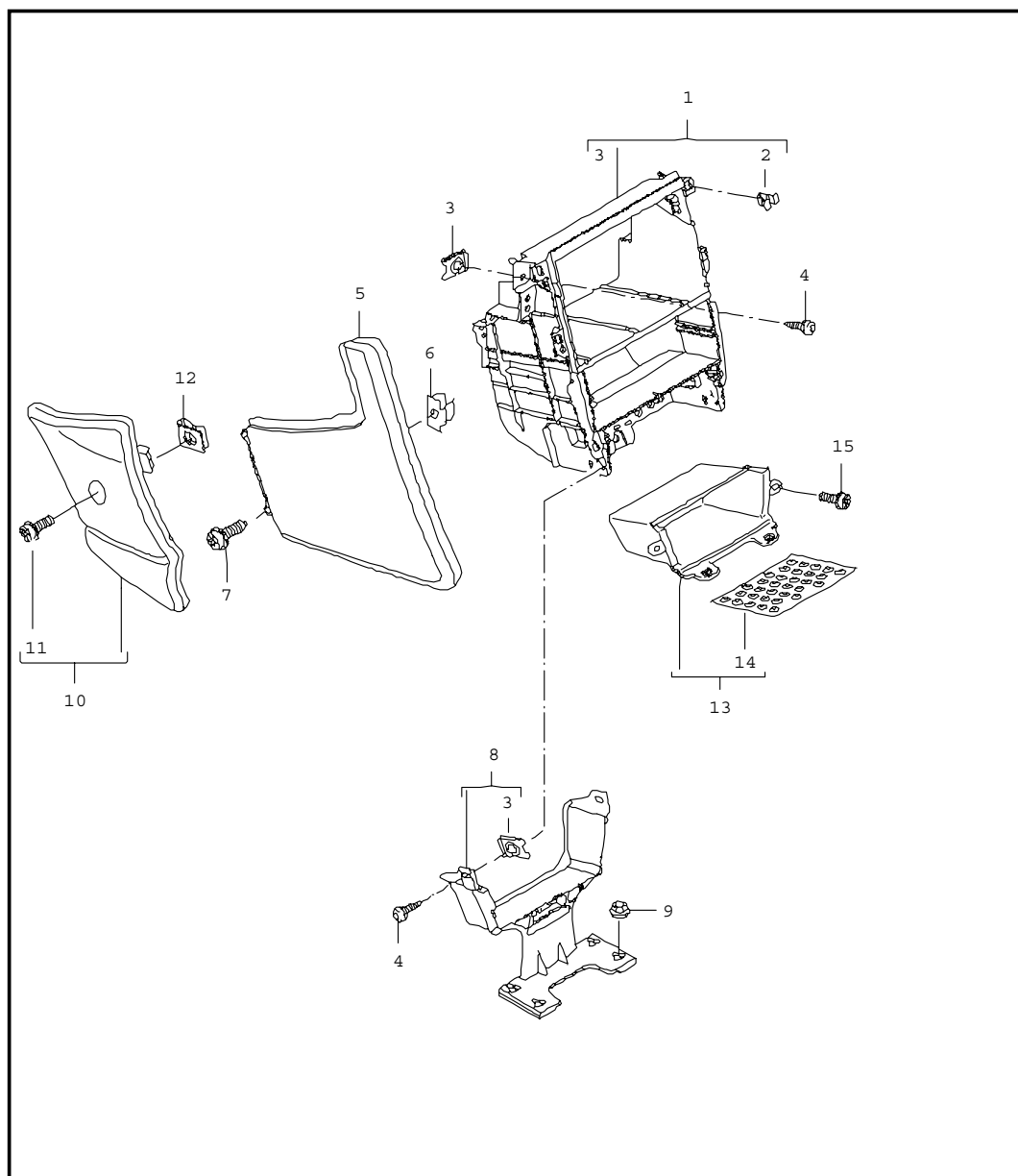
Model	Year	MG	SG	Illustration	Restrictions	Update				
987	07	8	09	809-10		203	7:47	25.08.2006	PORSCHE	PET
									PORSCHE	PORSCHE

Pos	Part Number	Name	Remarks	Qty	Model	Pos	Part Number	Name	Remarks	Qty	Model
(4)	997 731 219 03	mirror base door mirror	/LL/L	1	I267/537	7	999 141 043 02	oval-head screw 3,0 X 14		5	
	G2L	prime coated				8	997 624 047 00	adjusting motor		2	
(4)	997 731 220 03	mirror base door mirror	/LL/R	1	I267/537	(8)	997 624 048 00	adjusting motor		2	I537/538
	G2L	prime coated				9	999 141 043 02	oval-head screw M 3,0 X 14		3	
(4)	997 731 219 04	mirror base door mirror	/RL/L	1	I099	10	997 731 719 00	cover lower	/L	1	
	G2L	prime coated					G2L	prime coated			
(4)	997 731 220 04	mirror base door mirror	/RL/R	1	I099	(10)	997 731 720 00	cover lower	/R	1	
	G2L	prime coated					G2L	prime coated			
(4)	997 731 219 05	mirror base door mirror	/RL/L	1	I538	11	997 731 035 00	mirror glass plan	/LL/L	1	I098/270
	G2L	prime coated				(11)	997 731 035 01	mirror glass aspherical	LL/L	1	I098/271
(4)	997 731 220 05	mirror base door mirror	/RL/R	1	I538	(11)	997 731 035 02	mirror glass plan dipping	/LL/L	1	I098/267/270
	G2L	prime coated									
(4)	997 731 219 06	mirror base door mirror	/RL/L	1	I099/267	(11)	997 731 035 03	mirror glass aspherical dipping	/LL/L	1	I098/267/271
	G2L	prime coated									
(4)	997 731 220 06	mirror base door mirror	/RL/R	1	I099/267	(11)	997 731 037 00	mirror glass convex	/RL/L	1	I099
	G2L	prime coated				(11)	997 731 037 01	mirror glass convex dipping	/RL/L	1	I099/267
(4)	997 731 219 07	mirror base door mirror	/RL/L	1	I267/538	(11)	997 731 038 00	mirror glass convex	/LL/R	1	I098
	G2L	prime coated									
(4)	997 731 220 07	mirror base door mirror	/RL/R	1	I267/538	(11)	997 731 038 01	mirror glass convex	/LL/R	1	(ROK)
	G2L	prime coated				(11)	997 731 038 02	mirror glass convex	/LL/R	1	I215
5	999 919 024 09	oval-head screw 3,0 X 12		2		(11)	997 731 038 03	mirror glass convex dipping	/LL/R	1	I098/267
6	997 731 519 00	plate door mirror	/L	1		(11)	997 731 038 04	mirror glass convex dipping	/LL/R	1	I267 (ROK)
(6)	997 731 520 00	plate door mirror	/R	1							

Model	Year	MG	SG	Illustration	Restrictions	Update					
987	07	8	09	809-10		203	7:47	25.08.2006	PORSCHE	PET	PORSCHE

Pos	Part Number	Name	Remarks	Qty	Model	Pos	Part Number	Name	Remarks	Qty	Model
(11)	997 731 038 05	mirror glass convex dipping	/LL/R	1	I215/267						
(11)	997 731 036 00	mirror glass plan	/RL/R	1	I099/270						
(11)	997 731 036 01	mirror glass aspherical	/RL/R	1	I099/271						
(11)	997 731 036 02	mirror glass plan dipping	/RL/R	1	I099/267/270						
(11)	997 731 036 03	mirror glass aspherical dipping	/RL/R	1	I099/267/271						
12	999 073 345 09	lens-head screw M 5 X 18		3							
13	997 537 731 00	seal cable plug mirror base		1							
		- - - E N D - - -									

Model	Year	MG	SG	Illustration	Restrictions	Update	7:47	25.08.2006	PORSCHE	PET	PORSCHE
987	07	8	09	809-15		203					



Pos	Part Number	Name	Remarks	Qty	Model
1	997 553 111 01	centre console front		1	
2	999 507 476 01	bracket centre console front		6	
3	999 507 971 01	clamp 8,0 X 10,0/2,5		X	
4	999 073 155 09	speed nut ST 4,2		X	
5	997 553 117 01	tapping screw ST 4,2 x 13		1	
		cover lateral leatherette	/L	1	
		9L4 black			
		9M5 stone grey			
		9C6 sand beige			
		9D7 sea blue			
		9E8 palmgreen			
(5)	997 553 118 01	cover lateral leatherette	/R	1	
		9L4 black			
		9M5 stone grey			
		9C6 sand beige			
		9D7 sea blue			
		9E8 palmgreen			
5	997 553 117 06	cover lateral leather	/LL/L	1	I098/I618
		FSA black/grey			
		FSB stone grey/stone grey			
		FSC sand beige/sand beige			
		FSD seeblue/grey			
		FSE palm-green/palm-green			

Model	Year	MG	SG	Illustration	Restrictions	Update					
987	07	8	09	809-15		203	7:47	25.08.2006	PORSCHE	PET	PORSCHE

Pos	Part Number	Name	Remarks	Qty	Model	Pos	Part Number	Name	Remarks	Qty	Model
		FSF terrakotta/terrakotta						FSB stone grey/stone grey			
		FSG cocoa/cocoa						FSC sand beige/sand beige			
		FSH darkgrey natural/grey						FSD seeblue/grey			
		FSJ brown nat./brown nat.						FSE palm-green/palm-green			
5	997 553 117 06	cover lateral leather	/LL/L	1	I098/I668			FSF terrakotta/terrakotta			
		FSA black/grey						FSG cocoa/cocoa			
		FSB stone grey/stone grey						FSH darkgrey natural/grey			
		FSC sand beige/sand beige				(5)	997 553 118 06	cover lateral leather	/RL/R	1	I099/I668
		FSD seeblue/grey						FSA black/grey			
		FSE palm-green/palm-green						FSB stone grey/stone grey			
		FSF terrakotta/terrakotta						FSC sand beige/sand beige			
		FSG cocoa/cocoa						FSD seeblue/grey			
		FSH darkgrey natural/grey						FSE palm-green/palm-green			
		FSJ brown nat./brown nat.						FSF terrakotta/terrakotta			
5	997 553 117 06	cover lateral leather	/L	1	I981			FSG cocoa/cocoa			
		FSA black/grey						FSH darkgrey natural/grey			
		FSB stone grey/stone grey						FSJ brown nat./brown nat.			
		FSC sand beige/sand beige				(5)	997 553 118 06	cover lateral leather	/R	1	I981
		FSD seeblue/grey						FSA black/grey			
		FSE palm-green/palm-green						FSB stone grey/stone grey			
		FSF terrakotta/terrakotta						FSC sand beige/sand beige			
		FSG cocoa/cocoa						FSD seeblue/grey			
		FSH darkgrey natural/grey						FSE palm-green/palm-green			
		FSJ brown nat./brown nat.						FSF terrakotta/terrakotta			
(5)	997 553 118 06	cover lateral leather	/RL/R	1	I099/I618			FSG cocoa/cocoa			
		FSA black/grey						FSH darkgrey natural/grey			

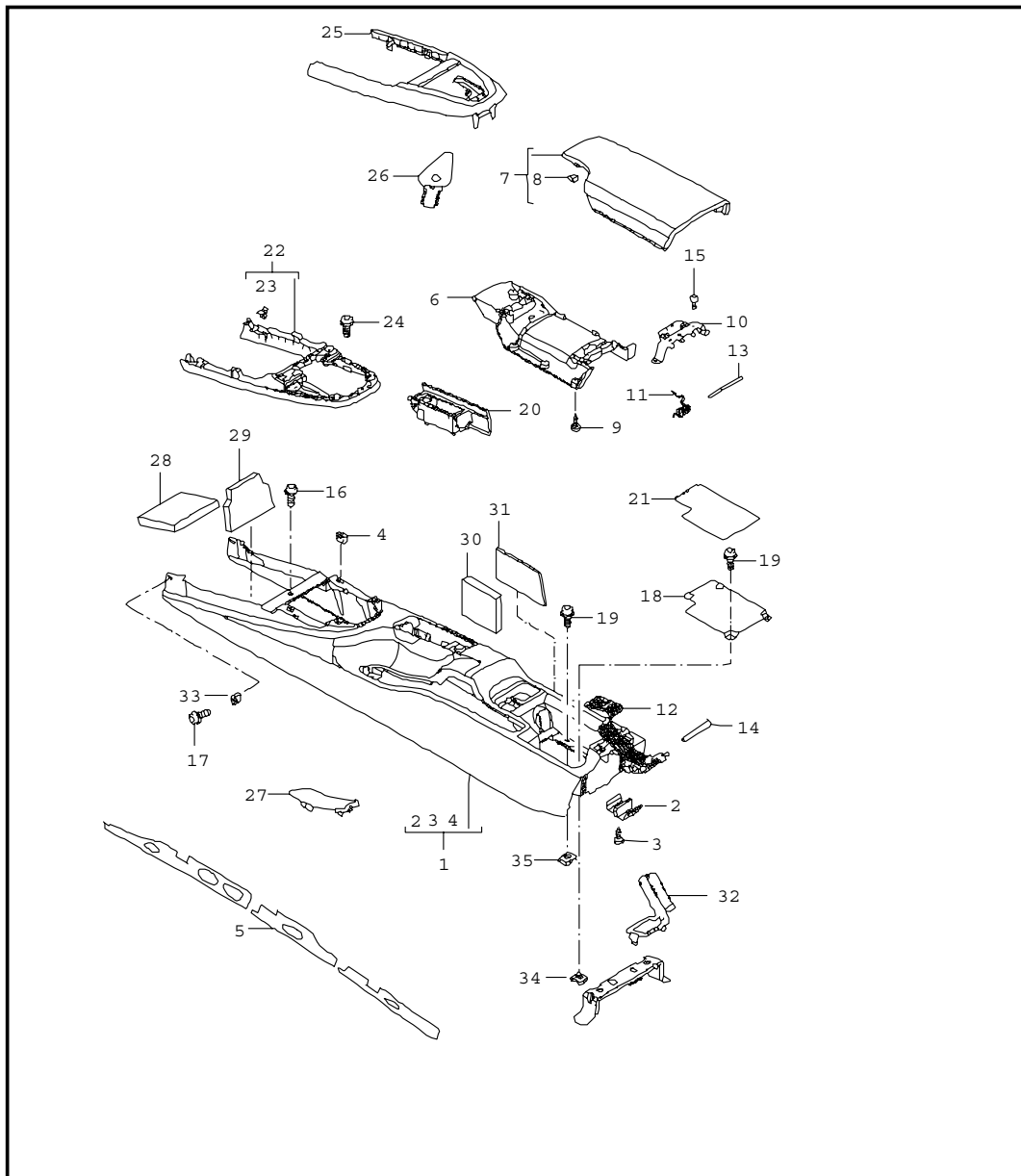
Model	Year	MG	SG	Illustration	Restrictions	Update					
987	07	8	09	809-15		203	7:47	25.08.2006	PORSCHE	PET	PORSCHE

Pos	Part Number	Name	Remarks	Qty	Model	Pos	Part Number	Name	Remarks	Qty	Model
	FSJ	brown nat./brown nat. cover lateral with preparation for telephone see group 9/11/10		1			T10	sand beige			
6	999 591 508 02	captive nut ST 4,2 for mount cover lateral		4			E10	sea blue			
7	999 073 226 09	tapping screw ST 4,2 X 16 for mount cover lateral		4			J10	palmgreen			
8	997 553 361 01	support centre		1			M10	terracotta			
9	999 084 629 09	hexagon nut M6		4			R10	cocoa			
10	997 553 131 01	cover footwell outlet vent carpet	/LL/L-05	1	I098	(10)	997 553 132 02	cover footwell outlet vent carpet	/RL/R-05	1	I099
	A10	black					T11	brown/natural			
	B10	stone grey					A10	black			
	T10	sand beige					B10	stone grey			
	E10	sea blue					T10	sand beige			
	J10	palmgreen					E10	sea blue			
	M10	terracotta					J10	palmgreen			
	R10	cocoa					M10	terracotta			
	D11	dark grey/natural					R10	cocoa			
	T11	brown/natural					D11	dark grey/natural			
(10)	997 553 132 01	cover footwell outlet vent carpet	/LL/R-05	1	I098	(10)	997 553 131 02	cover footwell outlet vent carpet	/RL/L-05	1	I099
	A10	black					A10	black			
	B10	stone grey					B10	stone grey			
							T10	sand beige			
							E10	sea blue			
							J10	palmgreen			
							M10	terracotta			
							R10	cocoa			
							D11	dark grey/natural			
							T11	brown/natural			

Model	Year	MG	SG	Illustration	Restrictions	Update					
987	07	8	09	809-15		203	7:47	25.08.2006	PORSCHE	PET	PORSCHE

Pos	Part Number	Name	Remarks	Qty	Model	Pos	Part Number	Name	Remarks	Qty	Model
10	997 553 131 01	cover footwell outlet vent carpet	/L 06-	1			M10	terracotta			
	A10	black					R10	cocoa			
	B10	stone grey					D11	dark grey/natural			
	T10	sand beige					T11	brown/natural			
	E10	sea blue				11	999 073 223 07	oval-head screw M 6 X 25		2	
	J10	palmgreen				12	999 507 766 02	speed nut M 6		2	
	M10	terracotta				13	997 553 143 01	shelf centre console front		1	
	R10	cocoa					D07	volcano grey			
	D11	dark grey/natural				14	997 553 543 01	insert shelf		1	
(10)	997 553 132 01	cover footwell outlet vent carpet	/LL/R06-	1	I098/621	15	999 919 164 09	oval-head screw 5,0 X 12,0		3	
	A10	black						- - - E N D - - -			
	B10	stone grey									
	T10	sand beige									
	E10	sea blue									
	J10	palmgreen									
	M10	terracotta									
	R10	cocoa									
	D11	dark grey/natural									
	T11	brown/natural									
(10)	997 553 132 02	cover footwell outlet vent carpet	/R 06-	1							
	A10	black									
	B10	stone grey									
	T10	sand beige									
	E10	sea blue									
	J10	palmgreen									

Model	Year	MG	SG	Illustration	Restrictions	Update	7:48	25.08.2006	PORSCHE	PET	PORSCHE
987	07	8	09	809-20		203					



Pos	Part Number	Name	Remarks	Qty	Model
1	997 553 211 01	centre console rear centre console rear lacquered		1	
	A03	black			
	5V7	stone grey			
	5Z1	sand beige			
	8W7	sea blue			
	5Y2	palmgreen			
	8X8	terracotta			
	8P9	cocoa			
	T13	brown/natural			
(1)	997 553 980 12	centre console rear leather	05	1	IXMZ
	A11	black			
	5X6	stone grey			
	8G2	sand beige			
	3S9	sea blue			
	4P2	palmgreen			
	9S5	terracotta			
	9V6	cocoa			
	D12	dark grey/natural			
	T12	brown/natural			
(1)	997 553 980 12	centre console rear leather	06-	1	IXMZ/370
	A11	black			
	5X6	stone grey			
	8G2	sand beige			
	3S9	sea blue			
	4P2	palmgreen			

Model	Year	MG	SG	Illustration	Restrictions	Update					
987	07	8	09	809-20		203	7:48	25.08.2006	PORSCHE	PET	PORSCHE

Pos	Part Number	Name	Remarks	Qty	Model	Pos	Part Number	Name	Remarks	Qty	Model
		9S5 terracotta						5X6 stone grey			
		9V6 cocoa						8G2 sand beige			
		D12 dark grey/natural						3S9 sea blue			
		T12 brown/natural						4P2 palmgreen			
(1)	997 553 980 12	centre console rear leather	06-	1	IXMZ/438			9S5 terracotta			
		A11 black						9V6 cocoa			
		5X6 stone grey						D12 dark grey/natural			
		8G2 sand beige				(1)	997 553 980 13	centre console rear carbon	05	1	IXMJ
		3S9 sea blue						A35 black			
		4P2 palmgreen				(1)	997 553 980 13	centre console rear carbon	06-	1	IXMJ/370
		9S5 terracotta						A35 black			
		9V6 cocoa				(1)	997 553 980 13	centre console rear carbon	06-	1	IXMJ/438
		D12 dark grey/natural						A35 black			
(1)	997 553 980 26	centre console rear leather	06-	1	IXMZ/376			A35 black			
		A11 black				(1)	997 553 980 30	centre console rear carbon	06-	1	IXMJ/376
		5X6 stone grey						A35 black			
		8G2 sand beige				(1)	997 553 980 30	centre console rear carbon	06-	1	IXMJ/378
		3S9 sea blue						A35 black			
		4P2 palmgreen				(1)	997 553 980 14	centre console rear	05	1	IXJU
		9S5 terracotta						S62 sycamore wood			
		9V6 cocoa				(1)	997 553 980 14	centre console rear	06-	1	IXJU/370
		D12 dark grey/natural						S62 sycamore wood			
(1)	997 553 980 26	centre console rear leather	06-	1	IXMZ/378			S62 sycamore wood			
		T12 brown/natural				(1)	997 553 980 14	centre console rear	06-	1	IXJU/438
		A11 black									

Model	Year	MG	SG	Illustration	Restrictions	Update	7:48	25.08.2006	PORSCHE	PET	PORSCHE
987	07	8	09	809-20		203					

Pos	Part Number	Name	Remarks	Qty	Model	Pos	Part Number	Name	Remarks	Qty	Model
	S62	sycamore wood				(1)	997 553 980 42	centre console rear	06-	1	IXCK/378
(1)	997 553 980 34	centre console rear	06-	1	IXJU/376		V04	galvano silver			
	S62	sycamore wood				(1)	997 553 980 17	centre console rear	05	1	IXME
(1)	997 553 980 34	centre console rear	06-	1	IXJU/378		041	black			
	S62	sycamore wood					84A	guards red			
(1)	997 553 980 15	centre console rear	05	1	IXJT		B9A	carrara white			
	S61	makassar					12H	speed yellow			
(1)	997 553 980 15	centre console rear	06-	1	IXJT/370		92U	arctic silver metallic			
	S61	makassar					M3W	carmon red metallic			
(1)	997 553 980 15	centre console rear	06-	1	IXJT/438		M5W	lapis blue metallic			
	S61	makassar					M6W	lagoon green metallic			
(1)	997 553 980 38	centre console rear	06-	1	IXJT/376		C9Z	basalt black metallic			
	S61	makassar					M7X	atlas grey metallic			
(1)	997 553 980 38	centre console rear	06-	1	IXJT/378		39C	midnight blue metallic			
	S61	makassar					6B4	seal grey metallic			
(1)	997 553 980 38	centre console rear	06-	1	IXJT/378		2B4	forest green metallic			
	S61	makassar					3C8	cobalt blue metallic			
(1)	997 553 980 16	centre console rear	05	1	IXCK		23F	slate grey metallic			
	V04	galvano silver					M7Z	gt silver metallic			
(1)	997 553 980 16	centre console rear	06-	1	IXCK/370	(1)	997 553 980 17	centre console rear	06-	1	IXME/370
	V04	galvano silver					041	black			
(1)	997 553 980 16	centre console rear	06-	1	IXCK/438		84A	guards red			
	V04	galvano silver					B9A	carrara white			
(1)	997 553 980 42	centre console rear	06-	1	IXCK/376		12H	speed yellow			
	V04	galvano silver					92U	arctic silver metallic			
							M3W	carmon red metallic			
							M5W	lapis blue metallic			

Model	Year	MG	SG	Illustration	Restrictions	Update	7:48	25.08.2006	PORSCHE	PET	PORSCHE
987	07	8	09	809-20		203					

Pos	Part Number	Name	Remarks	Qty	Model	Pos	Part Number	Name	Remarks	Qty	Model
	M6W	lagoon green metallic				(1)	997 553 980 46	centre console rear	06-	1	IXME/376
	C9Z	basalt black metallic					041	black			
	M7X	atlas grey metallic					84A	guards red			
	39C	midnight blue metallic					B9A	carrara white			
	6B4	seal grey metallic	-06				12H	speed yellow			
	2B4	forest green metallic					92U	arctic silver metallic			
	3C8	cobalt blue metallic					M3W	carmon red metallic			
	23F	slate grey metallic					M5W	lapis blue metallic			
	M7Z	gt silver metallic					M6W	lagoon green metallic			
	M6X	dark olive-metallic					C9Z	basalt black metallic			
(1)	997 553 980 17	centre console rear	06-	1	IXME/438		M7X	atlas grey metallic			
	041	black					39C	midnight blue metallic			
	84A	guards red					6B4	seal grey metallic	-06		
	B9A	carrara white					2B4	forest green metallic			
	12H	speed yellow					3C8	cobalt blue metallic			
	92U	arctic silver metallic					23F	slate grey metallic			
	M3W	carmon red metallic					M7Z	gt silver metallic			
	M5W	lapis blue metallic					M6X	dark olive-metallic			
	M6W	lagoon green metallic				(1)	997 553 980 46	centre console rear	06-	1	IXME/378
	C9Z	basalt black metallic					041	black			
	M7X	atlas grey metallic					84A	guards red			
	39C	midnight blue metallic					B9A	carrara white			
	6B4	seal grey metallic	-06				12H	speed yellow			
	2B4	forest green metallic					92U	arctic silver metallic			
	3C8	cobalt blue metallic					M3W	carmon red metallic			
	23F	slate grey metallic					M5W	lapis blue metallic			
	M7Z	gt silver metallic					M6W	lagoon green metallic			
	M6X	dark olive-metallic					C9Z	basalt black metallic			

Model	Year	MG	SG	Illustration	Restrictions	Update	7:48	25.08.2006	PORSCHE	PET	PORSCHE
987	07	8	09	809-20		203					

Pos	Part Number	Name	Remarks	Qty	Model	Pos	Part Number	Name	Remarks	Qty	Model
	M7X	atlas grey metallic					8G2	sand beige			
	39C	midnight blue metallic					3S9	sea blue			
	6B4	seal grey metallic	-06				4P2	palmgreen			
	2B4	forest green metallic					9S5	terracotta			
	3C8	cobalt blue metallic					9V6	cocoa			
	23F	slate grey metallic					D12	dark grey/natural			
	M7Z	gt silver metallic					T12	brown/natural			
	M6X	dark olive-metallic				8	999 507 972 01	speed nut 3,5		8	
2	997 553 575 01	insert locking device centre console		1		9	999 073 153 07	tapping screw 3,5 X 14		8	
	01C	satin black				10	997 553 437 01	hinge		1	
3	999 919 162 09	oval-head screw 4 X 8		1		11	997 553 439 00	spring		1	
4	999 591 214 40	expander nut 4,2	06-	4		12	997 553 441 00	belt		1	
5	997 553 843 00	sound absorber	/L	1		13	997 553 447 00	axle		1	
(5)	997 553 844 00	sound absorber	/R	1		14	997 553 733 00	retaining pin		1	
6	997 553 433 01	cover inner		1		15	999 919 159 09	oval-head screw M4X12		2	
	01C	satin black				16	999 919 121 09	oval-head screw 5 X 16 for mount centre console		2	
7	987 553 231 00	cover outer		1	BOXSTER	17	999 073 155 09	tapping screw 4,2 X 13 for mount centre console		2	
	1MZ	black				18	997 553 615 01	floor centre console		1	
	1YP	stone grey				19	999 073 226 09	tapping screw 4,2 X 16		2	
	1TK	sand beige				20	997 553 141 02	ashtray lacquered		1	
	1VM	sea blue					A03	black			
	1UL	palmgreen					5V7	stone grey			
(7)	997 553 231 01	cover outer leather		1	I981						
	A11	black									
	5X6	stone grey									

Model	Year	MG	SG	Illustration	Restrictions	Update	7:48	25.08.2006	PORSCHE	PET	PORSCHE
987	07	8	09	809-20		203					

Pos	Part Number	Name	Remarks	Qty	Model	Pos	Part Number	Name	Remarks	Qty	Model
	5Z1	sand beige					B9A	carrara white			
	8W7	sea blue					12H	speed yellow			
	5Y2	palmgreen					92U	arctic silver metallic			
	8X8	terracotta					M3W	carmon red metallic			
	8P9	cocoa					M5W	coral metallic			
	T13	brown/natural					M6W	lagoon green metallic			
(20)	997 553 982 00	ashtray leather		1	IXMZ		C9Z	basalt black metallic			
	A11	black					M7X	atlas grey metallic			
	5X6	stone grey					39C	midnight blue metallic			
	8G2	sand beige					6B4	seal grey metallic	-06		
	3S9	sea blue					2B4	forest green metallic			
	4P2	palmgreen					3C8	cobalt blue metallic			
	9S5	terracotta					23F	slate grey metallic			
	9V6	cocoa					M7Z	gt silver metallic			
	D12	dark grey/natural					M6X	dark olive-metallic			
	T12	brown/natural				21	997 553 611 01	insert		1	
(20)	997 553 982 01	ashtray carbon		1	IXMJ	22	997 553 261 01	frame lacquered		1	BOXSTER
	A35	black					D07	volcano grey			
(20)	997 553 982 02	ashtray		1	IXJU	(22)	997 553 261 02	frame lacquered		1	BOXSTER S
	S62	sycamore wood					V04	galvano silver			
(20)	997 553 982 03	ashtray		1	IXJT	23	999 507 533 02	clamp 8,0 X 10,0/2,5		7	
	S61	makassar					24	999 073 155 09	tapping screw 4,2 X 13	4	
(20)	997 553 982 04	ashtray aluminium look		1	IXCK	25	997 553 241 01	cover shift gate lacquered	-05	1	I249
	V04	galvano silver					A03	black			
(20)	997 553 982 05	ashtray lacquered		1	IXME		5V7	stone grey			
	041	black					5Z1	sand beige			
	84A	guards red									

Model	Year	MG	SG	Illustration	Restrictions	Update	7:48	25.08.2006	PORSCHE	PET	PORSCHE
987	07	8	09	809-20		203					

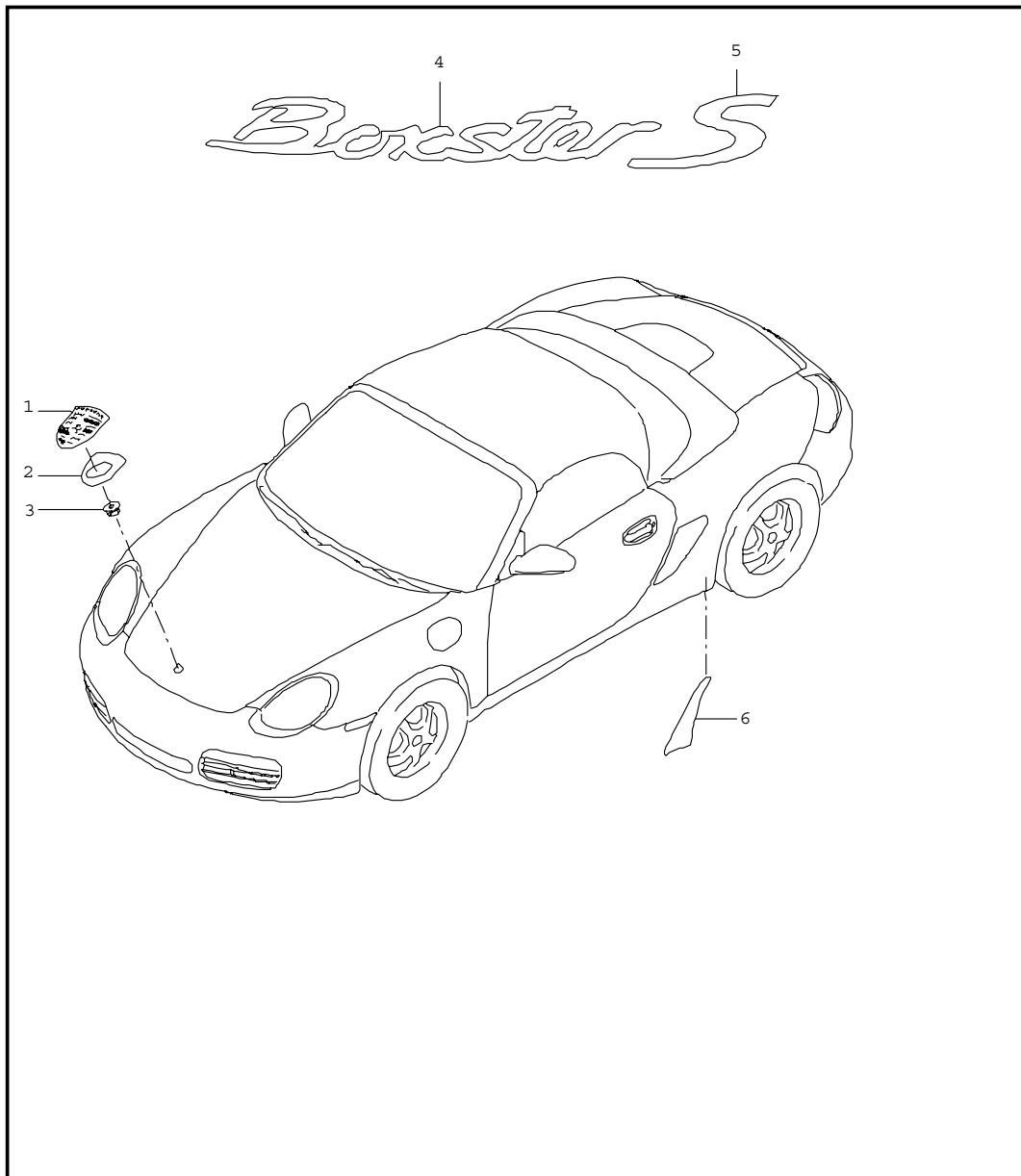
Pos	Part Number	Name	Remarks	Qty	Model	Pos	Part Number	Name	Remarks	Qty	Model
		8W7 sea blue					A03	black			
		5Y2 palmgreen					5V7	stone grey			
		8X8 terracotta					5Z1	sand beige			
		8P9 cocoa					8W7	sea blue			
		T13 brown/natural					5Y2	palmgreen			
25	997 553 241 02	cover shift gate lacquered	06-	1	I249		8X8	terracotta			
		A03 black					8P9	cocoa			
		5V7 stone grey				(27)	T13	brown/natural			
		5Z1 sand beige					997 553 981 00	cover parking-brake lever		1	IXCK
		8W7 sea blue					A11	black			
		5Y2 palmgreen					5X6	stone grey			
		8X8 terracotta					8G2	sand beige			
		8P9 cocoa					3S9	sea blue			
(25)	997 553 243 01	cover shift gate lacquered		1	I480/481		4P2	palmgreen			
		A03 black					9S5	terracotta			
		5V7 stone grey					9V6	cocoa			
		5Z1 sand beige					D12	dark grey/natural			
		8W7 sea blue					T12	brown/natural			
		5Y2 palmgreen				(27)	997 553 981 00	cover parking-brake lever		1	IXJT
		8X8 terracotta					A11	black			
		8P9 cocoa					5X6	stone grey			
		T13 brown/natural					8G2	sand beige			
26	996 552 687 00	slide		1	I249		3S9	sea blue			
		01C satin black					4P2	palmgreen			
27	997 553 455 01	cover parking-brake lever lacquered		1			9S5	terracotta			
							9V6	cocoa			
							D12	dark grey/natural			
							T12	brown/natural			

Model	Year	MG	SG	Illustration	Restrictions	Update				PORSCHE	PET	PORSCHE
987	07	8	09	809-20		203	7:48	25.08.2006				

Pos	Part Number	Name	Remarks	Qty	Model	Pos	Part Number	Name	Remarks	Qty	Model
(27)	997 553 981 00	cover parking-brake lever		1	IXJU		D12	dark grey/natural			
	A11	black					T12	brown/natural			
	5X6	stone grey				(27)	997 553 981 06	cover parking-brake lever		1	IXMZ
	8G2	sand beige					A11	black			
	3S9	sea blue					5X6	stone grey			
	4P2	palmgreen					8G2	sand beige			
	9S5	terracotta					3S9	sea blue			
	9V6	cocoa					4P2	palmgreen			
	D12	dark grey/natural					9S5	terracotta			
	T12	brown/natural					9V6	cocoa			
(27)	997 553 981 00	cover parking-brake lever		1	IXME		D12	dark grey/natural			
	A11	black					T12	brown/natural			
	5X6	stone grey				28	997 553 871 00	filler piece centre console		1	
	8G2	sand beige				29	997 553 873 00	filler piece centre console		1	
	3S9	sea blue				30	997 553 875 00	filler piece centre console		1	
	4P2	palmgreen				31	997 553 877 00	filler piece centre console		1	
	9S5	terracotta				32	987 553 269 00	support shift cable		1	
	9V6	cocoa				33	999 591 215 40	expander nut 4,2		2	
	D12	dark grey/natural				34	999 507 020 02	speed nut 4,2		X	
	T12	brown/natural				35	999 507 971 01	speed nut 4,2		X	
(27)	997 553 981 00	cover parking-brake lever		1	IXMJ						
	A11	black									
	5X6	stone grey									
	8G2	sand beige									
	3S9	sea blue									
	4P2	palmgreen									
	9S5	terracotta									
	9V6	cocoa									

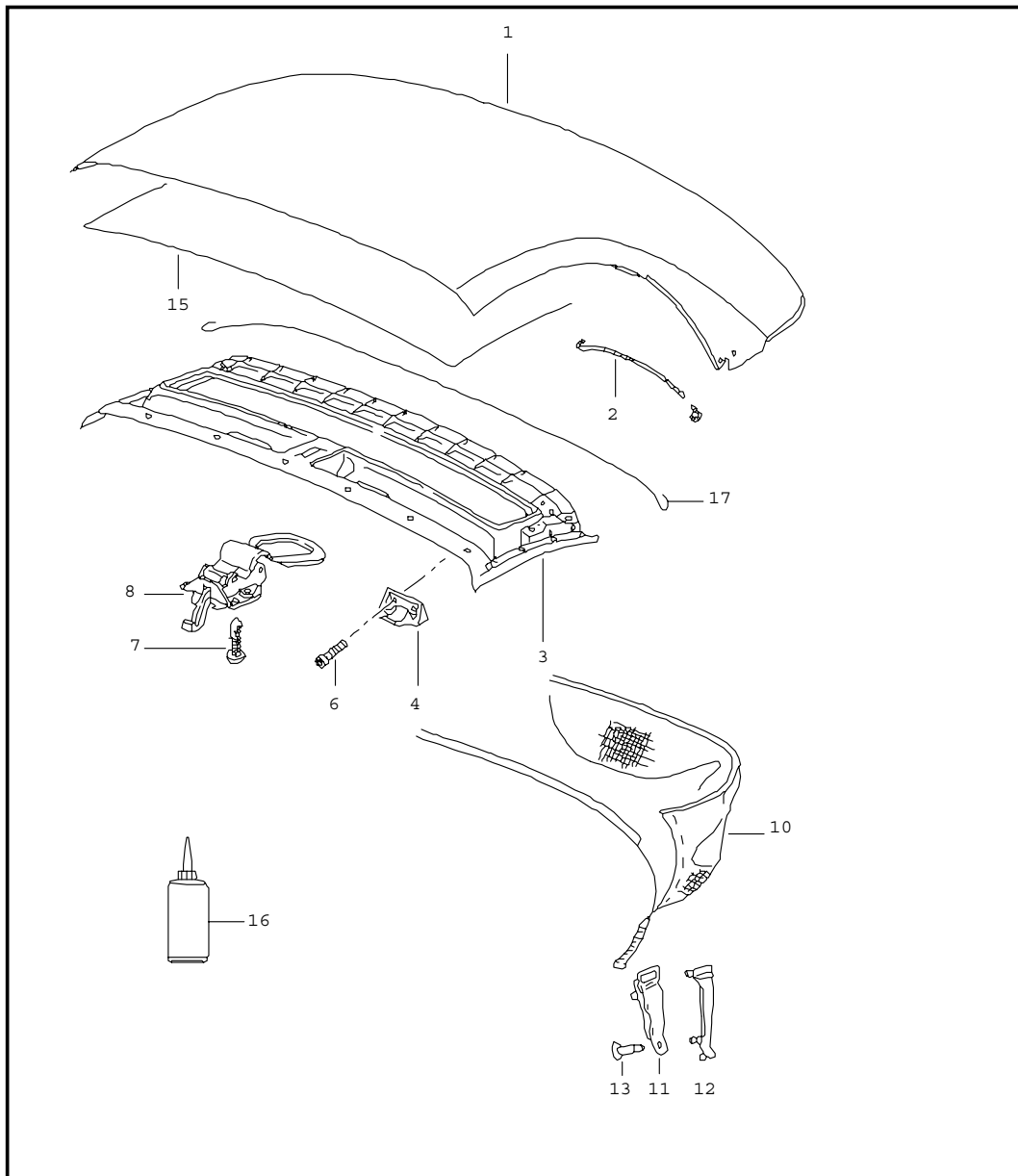
- - - E N D - - -

Model	Year	MG	SG	Illustration	Restrictions	Update					
987	07	8	10	810-00		203	7:48	25.08.2006	PORSCHE	PET	PORSCHE



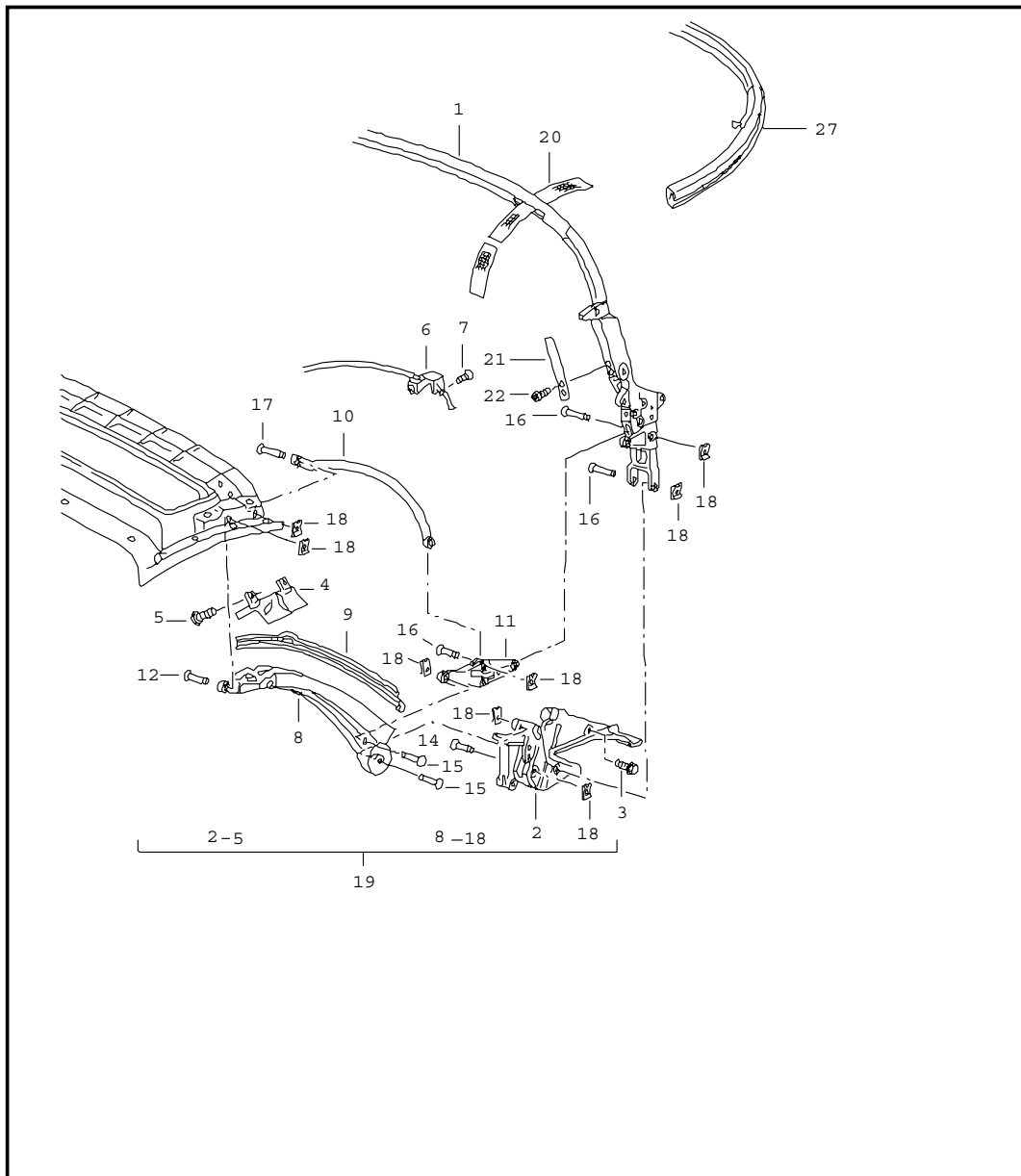
Pos	Part Number	Name	Remarks	Qty	Model
		insignias stone guard film			
1	996 559 211 01	lid emblem		1	
2	7L5 853 611 B	desk pad		1	
3	999 591 423 03	tapping nut		2	
4	987 559 237 01	logo lacquered titanium metallic		1	BOXSTER
(4)	987 559 237 02	logo chrome-mat		1	BOXSTER S
5	987 559 243 01	logo s chrome-mat		1	BOXSTER S
6	987 504 825 01	stone guard film side section	/L	1	
(6)	987 504 826 01	stone guard film side section	/R	1	
- - - E N D - - -					

Model	Year	MG	SG	Illustration	Restrictions	Update	7:48	25.08.2006	PORSCHE	PET	PORSCHE
987	07	8	11	811-00		203					



Pos	Part Number	Name	Remarks	Qty	Model
		convertible top covering inner lining			
1	987 561 903 00	convertible top covering with washer		1	
	A10	black			
	C17	grey			
	G02	metropole blue			
	R17	brown			
2	987 561 915 00	tension rope		2	
3	A 987 561 907 00	roof frame		1	
3	987 561 907 01	roof frame		1	
	A09	rally black			
4	986 561 605 01	centring journal		2	
	A09	black with			
6	999 919 144 09	oval-head screw		4	
7	999 919 148 09	oval-head screw		4	
8	987 561 017 00	catch		1	
	A09	black			
10	987 561 085 00	cloth		1	
11	987 561 669 00	slide	/L	1	
(11)	987 561 670 00	slide	/R	1	
12	987 561 559 00	clamping piece	/L	1	
(12)	987 561 560 00	clamping piece	/R	1	
13	987 561 597 00	clip		2	
15	987 561 025 00	inner lining		1	
	A21	black			
16	999 917 557 00	grease 30 ML		X	
17	987 561 773 00	tension rope		1	
- - - E N D - - -					

Model	Year	MG	SG	Illustration	Restrictions	Update	7:48	25.08.2006	PORSCHE	PET	PORSCHE
987	07	8	11	811-05		203					

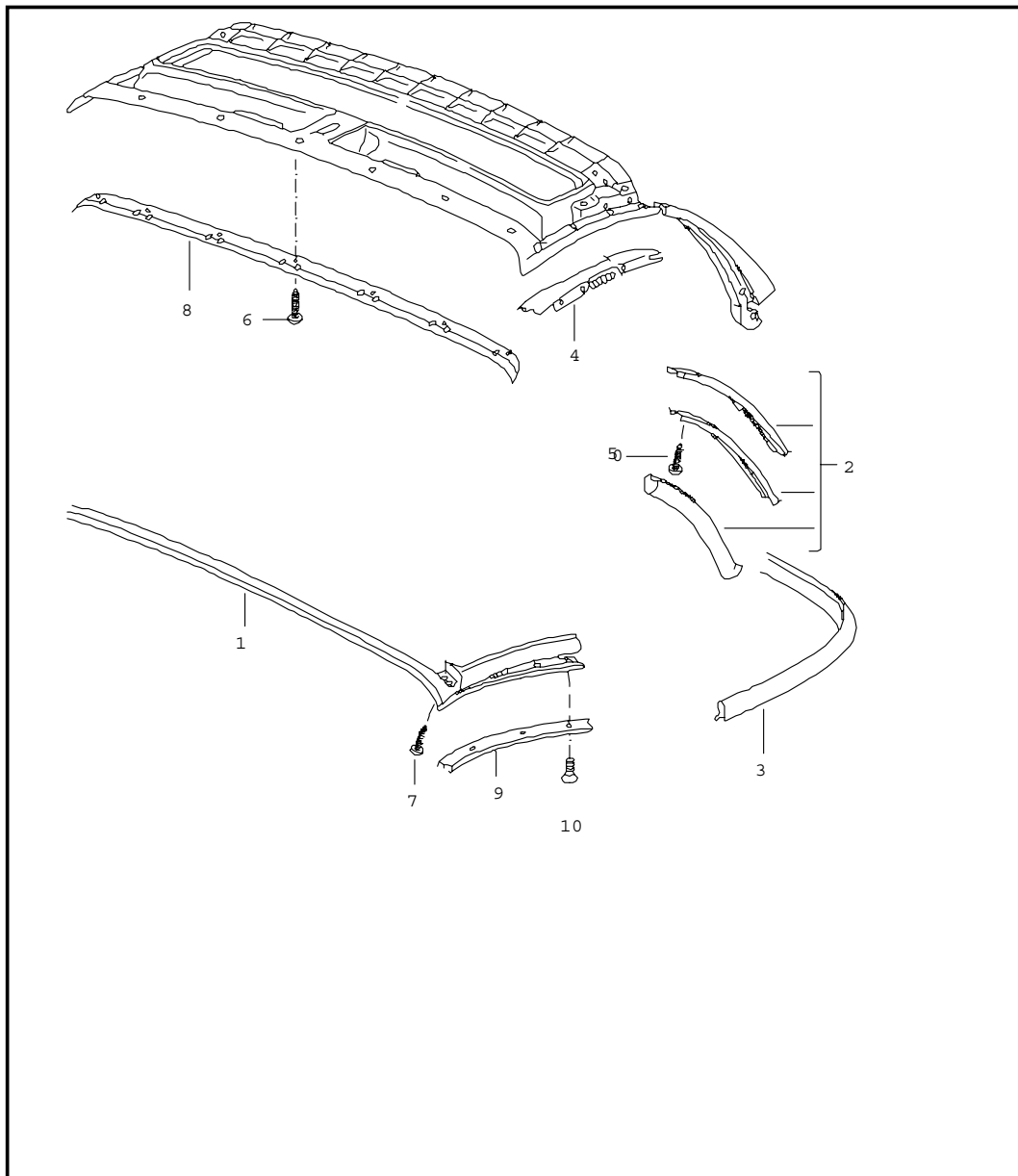


Pos	Part Number	Name	Remarks	Qty	Model
		convertible top frame single parts			
1	987 561 037 00	main folding top bow		1	
2	987 561 443 00	convertible top support	/L	1	
(2)	987 561 444 00	convertible top support	/R	1	
3	900 378 033 09	hexagon-head bolt		6	
4	987 561 165 00	flap		1	
	A09	black			
4	987 561 166 00	flap		1	
	A09	black			
5	999 919 141 09	oval-head screw		2	
6	986 613 101 02	microswitch		1	
7	999 919 152 09	oval-head screw		1	
8	987 561 909 00	b-pillar	/L	1	
	A09	black			
(8)	987 561 910 00	b-pillar	/R	1	
	A09	black			
10	987 561 039 00	control arm	/L	1	
(10)	987 561 040 00	control arm	/R	1	
11	987 561 345 00	lever lower	/L	1	
(11)	987 561 346 00	lever lower	/R	1	
12	999 088 043 30	bolt		X	
14	999 088 042 30	bolt		X	
15	999 094 019 30	bolt		X	
16	999 088 047 30	bolt		X	
17	999 088 030 30	bolt		X	
--	999 094 020 30	bolt		X	
18	999 166 075 02	lock		X	
19	987 561 011 02	convertible top frame		1	

Model	Year	MG	SG	Illustration	Restrictions	Update					
987	07	8	11	811-05		203	7:48	25.08.2006	PORSCHE	PET	PORSCHE

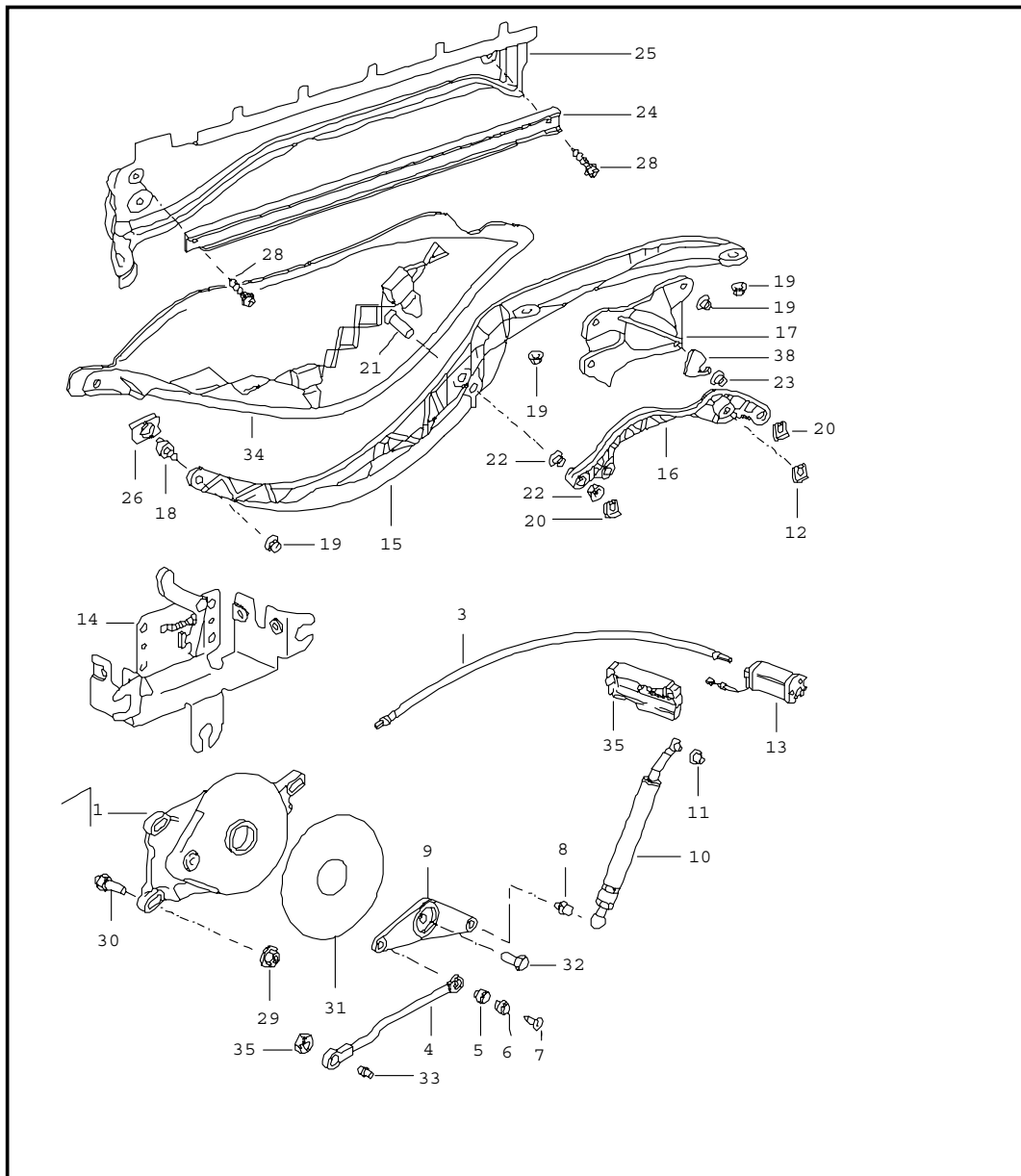
Pos	Part Number	Name	Remarks	Qty	Model	Pos	Part Number	Name	Remarks	Qty	Model
	A09	black without roll-over bar									
21	987 561 769 00	spring		2							
22	999 919 142 09	lens-head screw		4							
23	999 094 020 30	bolt		2							
27	987 561 041 00	bow		1							
28	987 561 237 00	bow	-	1							
34	987 612 698 00	wiring harness		1							
		- - - E N D - - -									

Model	Year	MG	SG	Illustration	Restrictions	Update	7:49	25.08.2006	PORSCHE	PET	PORSCHE
987	07	8	11	811-10		203					



Pos	Part Number	Name	Remarks	Qty	Model
		convertible top seal			
1	987 561 327 00	roof frame seal		1	
2	987 561 123 00	gasket b-pillar	/L	1	
(2)	987 561 124 00	gasket b-pillar	/R	1	
3	987 561 393 00	gasket bow		1	
4	987 561 115 00	retaining strip	/L	1	
(4)	987 561 116 00	retaining strip	/R	1	
5	900 067 378 09	pan-head screw		X	
6	999 919 139 09	pan-head screw		X	
7	999 919 144 09	oval-head screw		2	
8	987 561 501 00	retaining strip		1	
9	987 561 401 00	retaining strip		1	
(9)	987 561 402 00	retaining strip		1	
10	999 919 152 09	oval-head screw		8	
		- - - E N D - - -			

Model	Year	MG	SG	Illustration	Restrictions	Update	7:49	25.08.2006	PORSCHE	PET	PORSCHE
987	07	8	11	811-12		203					

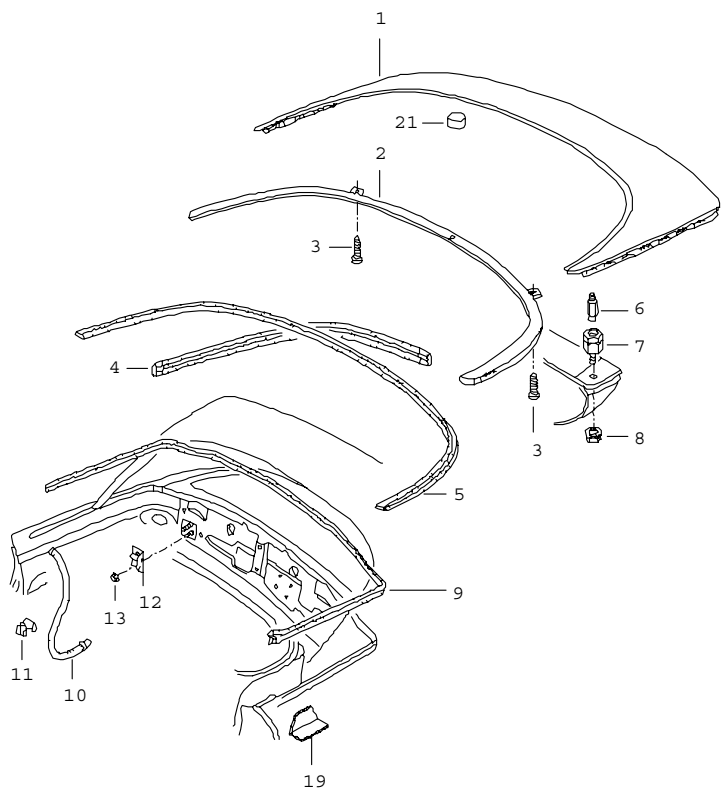


Pos	Part Number	Name	Remarks	Qty	Model
1	987 561 179 00	driving mechanism convertible top convertible top compartm. cover		1	
		F >>986U7 02822	/L		
		F >>986U7 22145			
1	987 561 179 02	transmission	/L	1	
		F 986U7 02823>>			
		F 986U7 22146>>			
1	987 561 180 00	transmission	/R	1	
		F >>986U7 02822			
		F >>986U7 22145			
1	987 561 180 02	transmission	/R	1	
		F 986U7 02823>>			
		F 986U7 22146>>			
3	986 561 717 03	pliable shaft		2	
4	987 561 279 00	push rod		2	
5	999 924 039 00	bush		2	
6	986 561 779 00	spacer sleeve		2	
7	900 249 054 09	countersunk-head screw		2	
8	986 561 689 00	ball pin		2	
9	986 561 479 01	lever	/L	1	
		F >>986U7 02822			
		F >>986U7 22145			
(9) N	987 561 479 01	lever	/L	1	
		F 986U7 02823>>			
		F 986U7 22146>>			
9	986 561 480 01	lever	/R	1	
		F >>986U7 02822			
		F >>986U7 22145			
(9) N	987 561 480 01	lever	/R	1	
		F 986U7 02823>>			
		F 986U7 22146>>			
10	987 561 579 00	push rod	/L	1	
		F >>986U7 02822			
		F >>986U7 22145			
10 N	987 561 579 01	push rod	/L	1	
		F 986U7 02823>>			
		F 986U7 22146>>			

Model	Year	MG	SG	Illustration	Restrictions	Update	7:49	25.08.2006	PORSCHE	PET	PORSCHE
987	07	8	11	811-12		203					

Pos	Part Number	Name	Remarks	Qty	Model	Pos	Part Number	Name	Remarks	Qty	Model
10	987 561 580 00	push rod F >>986U7 02822 F >>986U7 22145	/R	1		25	987 561 762 00	water drain plate	/R	1	
10	N 987 561 580 01	push rod F 986U7 02823>> F 986U7 22146>>	/R	1		26	986 561 577 01	slide		2	
11	N 999 924 130 40	bearing sleeve		2		28	900 067 376 09	pan-head screw		4	
12	999 166 075 02	safety clip		2		29	999 076 055 09	hexagon nut		6	
13	986 624 117 01	engine		1		30	987 561 789 00	stud		6	
14	986 624 299 00	support		1		31	986 561 589 03	washer		2	
15	987 561 551 00	guide arm	/L	1		31	N 987 561 589 00	washer		2	
	GRV	prime coated				32	999 217 095 02	hexagon-head bolt		2	
(15)	987 561 552 00	guide arm	/R	1		33	986 561 879 00	ball pin use also:		2	
	GRV	prime coated				--	N 011 118 11	hexagon nut		2	
16	987 561 571 00	hinge lever	/L	1		34	987 561 445 00	cover	/L	1	
	GRV	prime coated					01C	black			
(16)	987 561 572 00	hinge lever	/R	1		(34)	987 561 446 00	cover	/R	1	
	GRV	prime coated					01C	black			
17	987 561 679 00	bearing bracket	/L	1		35	986 624 295 00	cap		1	
	GRV	prime coated				36	N 011 118 11	hexagon nut		2	
17	987 561 680 00	bearing bracket	/R	1		37	911 561 643 65	spring clamp		2	
	GRV	prime coated				38	986 561 657 00	connection piece		2	
18	900 167 023 02	ball pin		1				- - - E N D - - -			
19	900 377 010 09	hexagon nut		12							
20	999 166 075 02	safety clip		4							
(20)	986 561 873 00	lock		2							
21	999 088 027 30	bolt		2							
22	999 924 049 01	bush		4							
23	999 924 126 00	bush		2							
24	987 561 253 00	guide piece		2							
25	987 561 761 00	water drain plate	/L	1							

Model	Year	MG	SG	Illustration	Restrictions	Update	7:49	25.08.2006	PORSCHE	PET	PORSCHE
987	07	8	11	811-13		203					

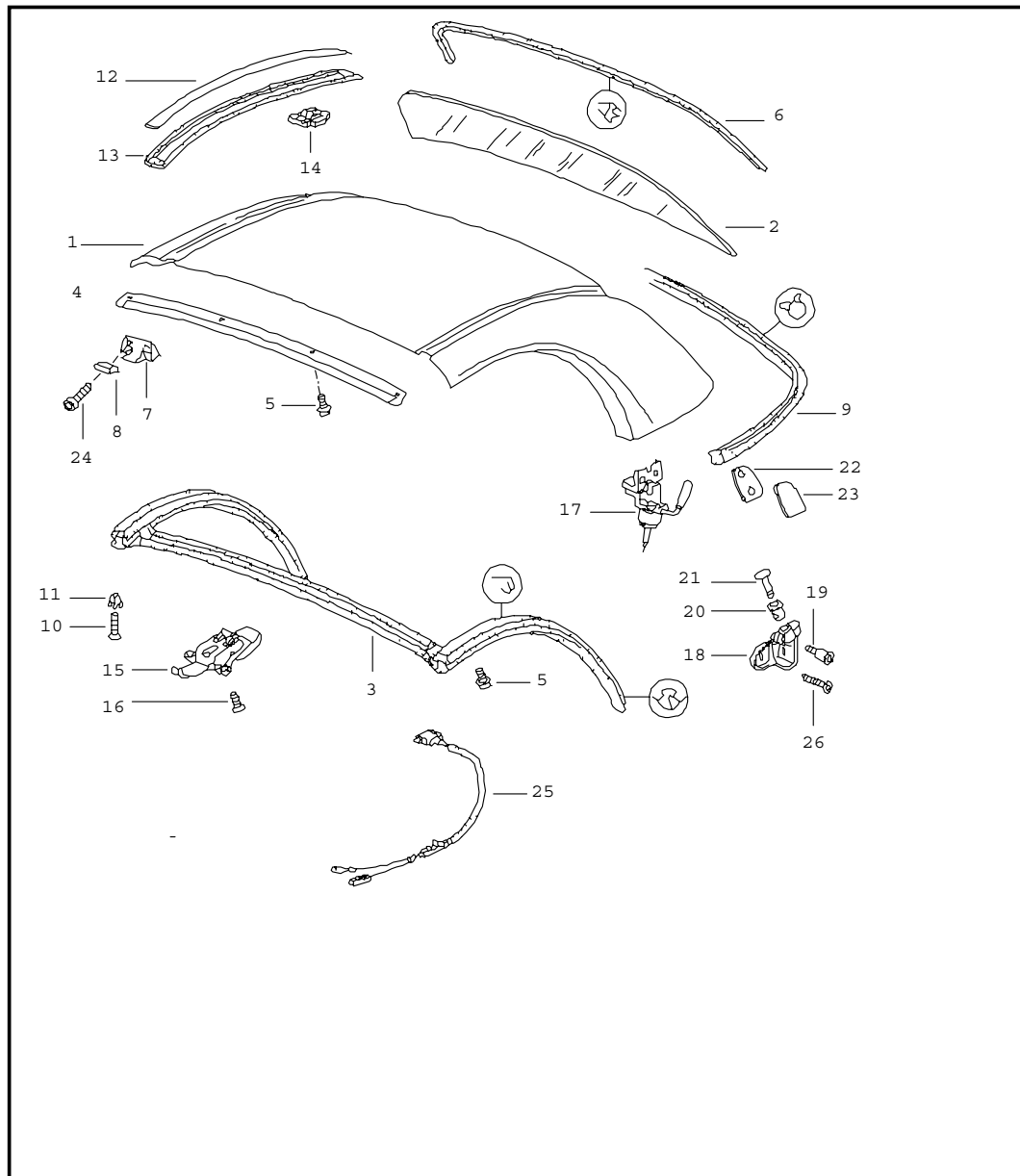


Pos	Part Number	Name	Remarks	Qty	Model
		convertible top compartm. cover gaskets			
1	987 514 011 00	cover		1	
		GRV prime coated			
2	987 514 631 00	sealing strip		1	
3	999 073 047 02	tapping screw		2	
4	986 514 714 01	protective edging		1	
5	986 514 731 00	gasket		1	
6	987 514 253 02	centring journal		2	
7	986 514 251 01	base		2	
8	999 076 061 09	hexagon nut		4	
9	987 514 211 00	gasket		1	
-	999 073 060 02	tapping screw 4,8 x 13 mount POS. 9		4	
-	999 591 329 09	speed nut 4,8 mount POS. 9		4	
10	986 514 241 00	water drain hose		2	
11	999 507 551 09	cable clamp		4	
(12)	987 561 505 00	support		2	
13	999 084 629 09	hexagon flat nut		4	
19	987 561 801 00	stop 1 MM		1	
19	987 561 801 01	stop 2 MM		1	
19	987 561 801 02	stop 3 MM		1	
19	987 561 801 03	stop 4 MM		1	
19	987 561 801 04	stop 5 MM		1	
20	999 500 084 02	blind rivet nut		4	

Model	Year	MG	SG	Illustration	Restrictions	Update					
987	07	8	11	811-13		203	7:49	25.08.2006	PORSCHE	PET	PORSCHE

Pos	Part Number	Name	Remarks	Qty	Model	Pos	Part Number	Name	Remarks	Qty	Model
21	986 561 633 01	buffer		5							
		- - - E N D - - -									

Model	Year	MG	SG	Illustration	Restrictions	Update	7:49	25.08.2006	PORSCHE	PET	PORSCHE
987	07	8	11	811-15		203					

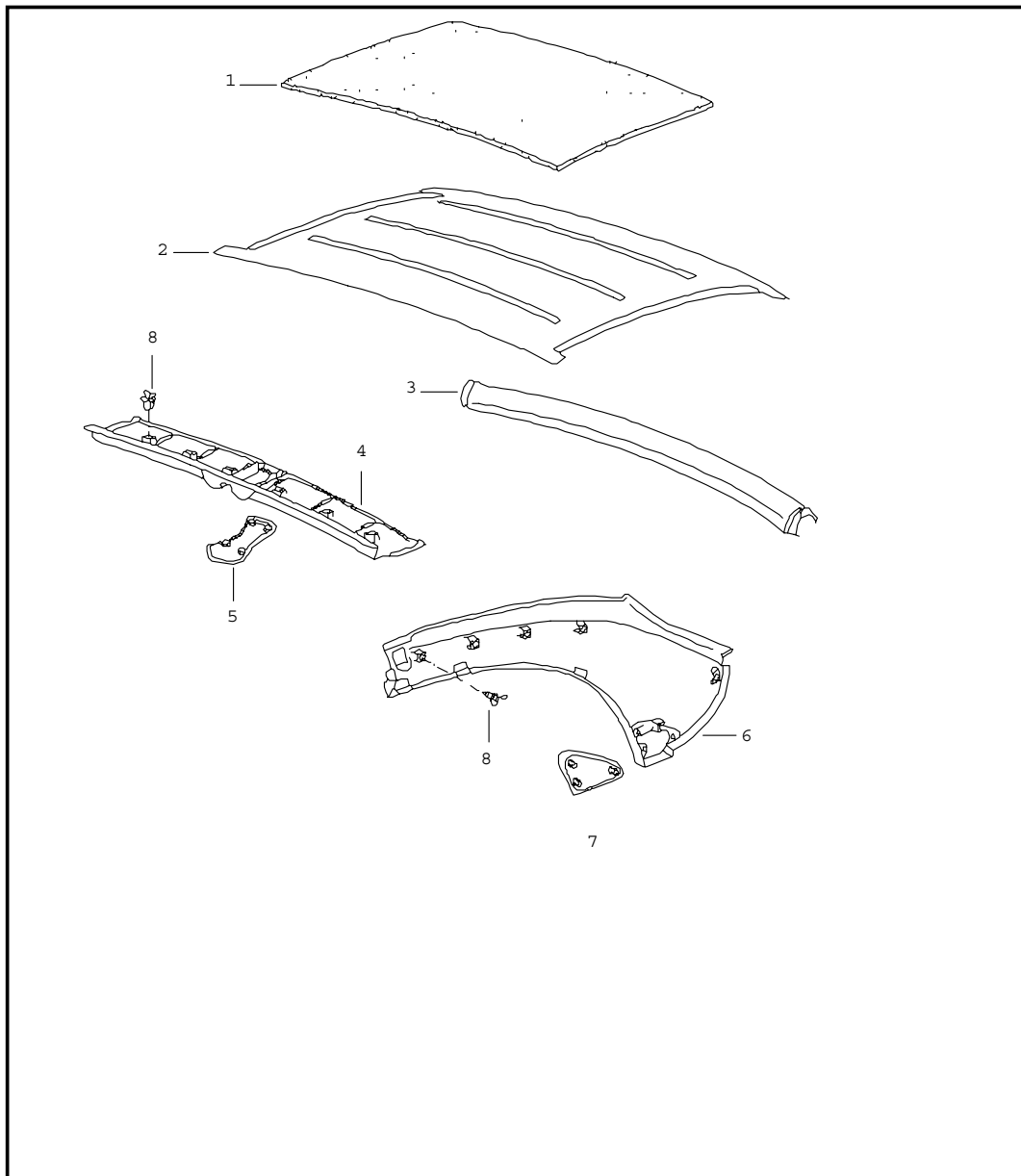


Pos	Part Number	Name	Remarks	Qty	Model
		hardtop accessories gaskets			M 550
1	987 563 911 00	hardtop		1	
	GRV	prime coated without accessories			
2	986 563 091 01	rear window	ready for installation	1	
3	987 563 125 00	gasket		1	
4	986 563 319 01	retaining strip		1	
5	900 067 378 09	pan-head screw		10	
-	000 043 203 29	sealing strap NITTO		X	
7	986 561 605 00	centring journal		2	
	A09	black			
8	986 563 625 03	cap		2	
9	987 563 127 00	gasket		1	
10	999 073 049 02	tapping screw		14	
11	999 507 547 40	expander nut		22	
12	986 563 707 00	cover strip	/L	1	
	GRV	prime coated			
(12)	986 563 708 00	cover strip	/R	1	
	GRV	prime coated			
13	986 563 361 00	gasket	/L	1	
(13)	986 563 362 00	gasket	/R	1	
14	986 563 721 00	clip		8	
15	996 563 401 00	catch		1	
16	900 249 055 09	countersunk-head screw M 6X20		3	
17	987 563 403 01	catch	/L	1	
(17)	987 563 404 01	catch	/R	1	
		use also:			

Model	Year	MG	SG	Illustration	Restrictions	Update					
987	07	8	11	811-15		203	7:49	25.08.2006	PORSCHE	PET	PORSCHE

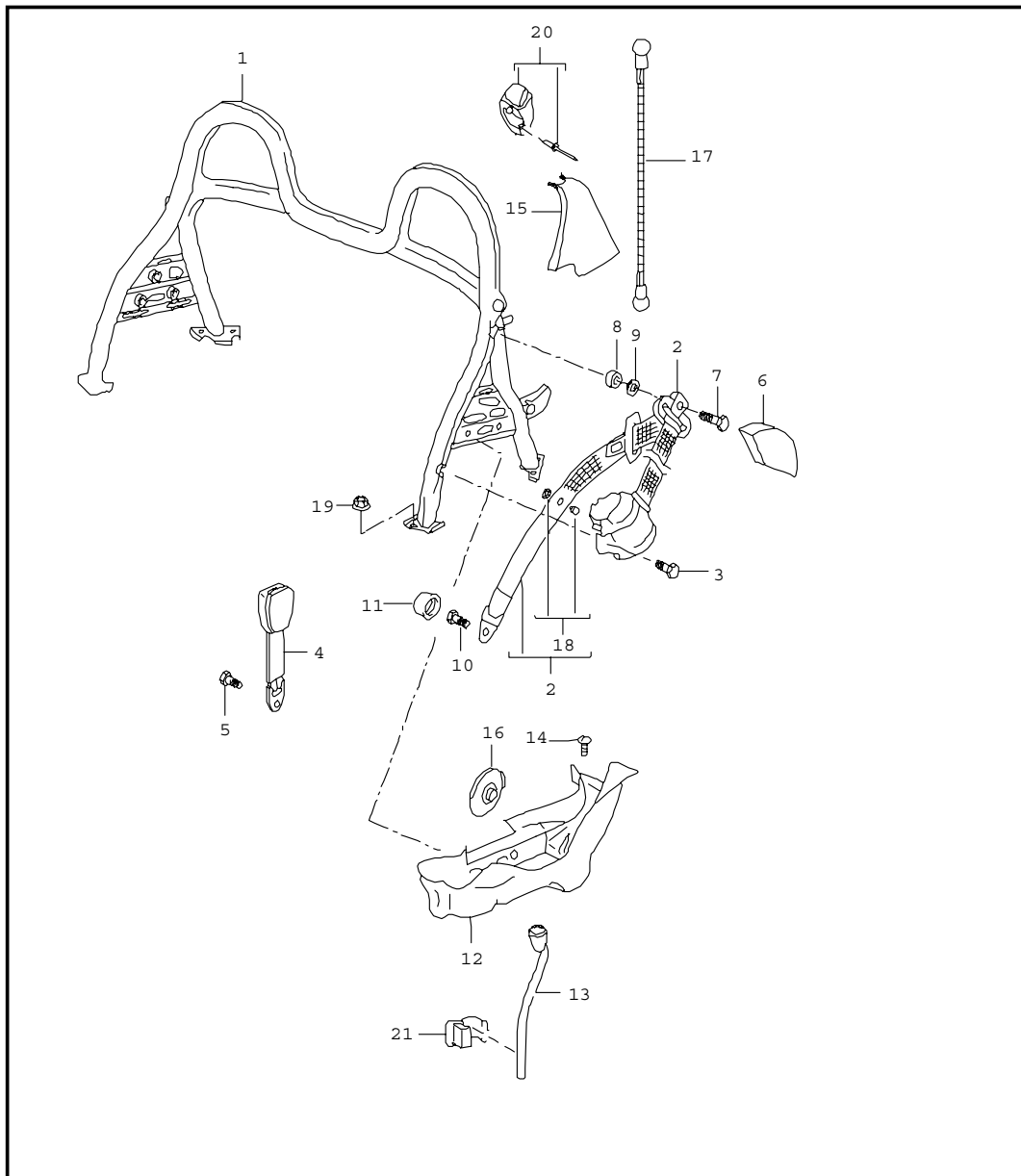
Pos	Part Number	Name	Remarks	Qty	Model	Pos	Part Number	Name	Remarks	Qty	Model
--	900 067 378 09	pan-head screw micro-self-locking		2							
18	987 561 653 00	mounting	/L	1							
(18)	987 561 654 00	mounting	/R	1							
19	999 219 041 00	fit bolt		2							
20	987 563 713 00	insert	/L	1							
(20)	987 563 714 00	insert	/R	1							
21	986 561 655 00	cap		2							
24	999 015 035 09	screw		6							
25	987 612 696 00	wiring harness		1							
26	999 073 168 09	lens-head screw		4							
--	987 563 309 00	retaining strip	/L	1							
--	987 563 310 00	retaining strip	/R	1							
		- - - E N D - - -									

Model	Year	MG	SG	Illustration	Restrictions	Update	7:49	25.08.2006	PORSCHE	PET	PORSCHE
987	07	8	11	811-16		203					



Pos	Part Number	Name	Remarks	Qty	Model
		hardtop interior equipment			
1	986 563 523 00	sound absorber set		1	
2	986 563 111 01	lining		1	
	A21	black			
3	987 563 505 00	lining		1	
	A03	black			
4	986 563 501 00	lining		1	
	A03				
5	987 563 551 00	cover		1	
	A03	black			
6	987 563 503 00	lining	/L	1	
	A03	black			
(6)	987 563 504 00	lining	/R	1	
	A03	black			
7	987 563 553 00	cover	/L	1	
	A03	black			
(7)	987 563 554 00	cover	/R	1	
	A03	black			
8	999 507 764 40	clamp		X	
		- - - E N D - - -			

Model	Year	MG	SG	Illustration	Restrictions	Update	7:50	25.08.2006	PORSCHE	PET	PORSCHE
987	07	8	12	812-00		203					

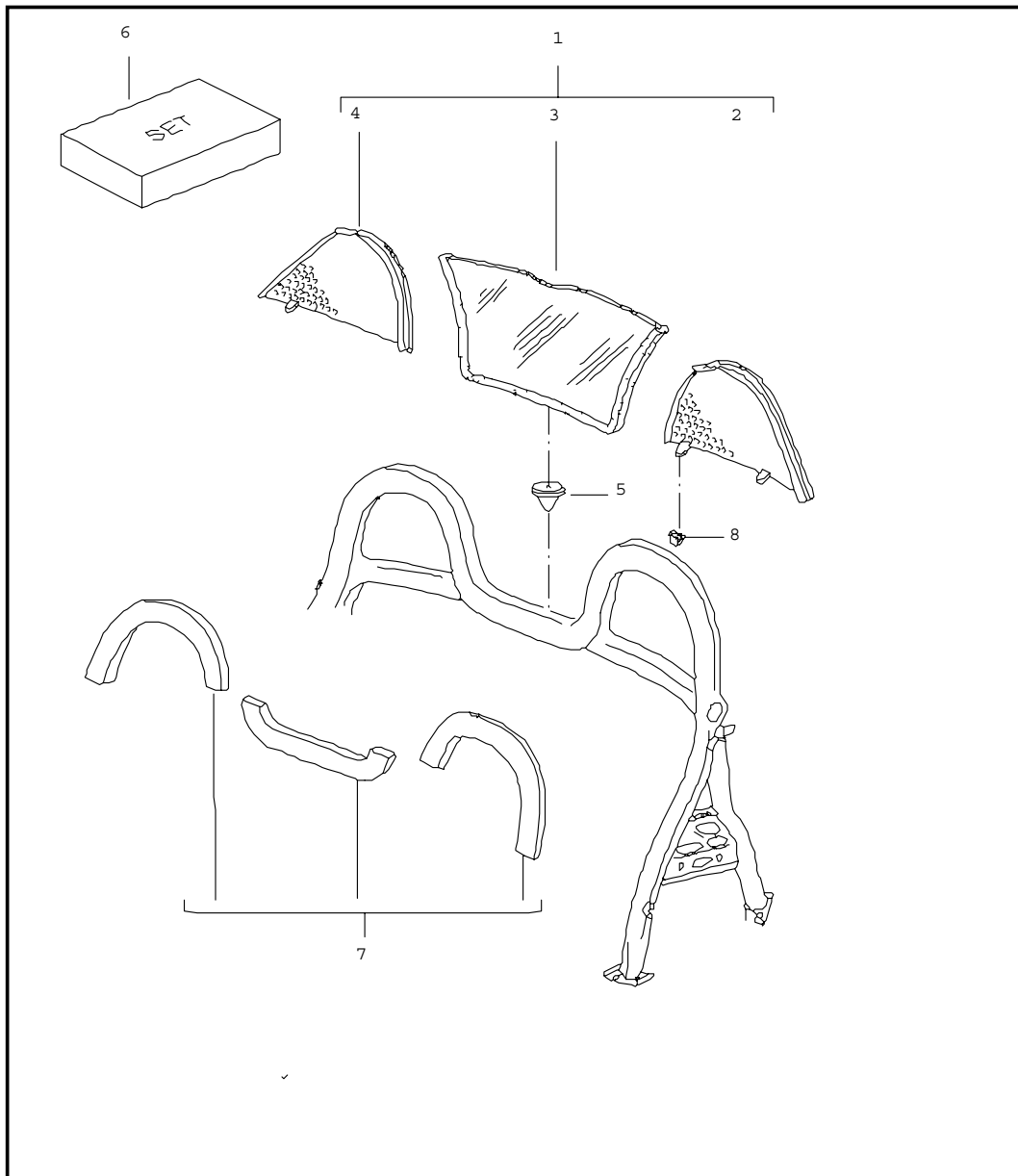


Pos	Part Number	Name	Remarks	Qty	Model
1	987 580 011 01	roll-over bar seat belt		1	
	D08	volcano grey			
2	987 803 033 00	seat belt	/L -05	1	
	A23	black			
	V02	speed yellow			
	U01	silver			
	N13	guards red			
2	987 803 033 02	seat belt	/L 06-	1	
	A23	black			
	V02	speed yellow			
	U01	silver			
	N13	guards red			
(2)	987 803 034 00	seat belt	/R -05	1	
	A23	black			
	V02	speed yellow			
	U01	silver			
	N13	guards red			
(2)	987 803 034 03	seat belt	/R 06-	1	
	A23	black			
	V02	speed yellow			
	U01	silver			
	N13	guards red			
3	999 075 070 09	hexagon-head bolt		2	
4	996 803 183 08	seat-belt buckle passenger's side		1	
4	997 803 183 01	seat-belt buckle driver's side		1	

Model	Year	MG	SG	Illustration	Restrictions	Update	7:50	25.08.2006	PORSCHE	PET	PORSCHE
987	07	8	12	812-00		203					

Pos	Part Number	Name	Remarks	Qty	Model	Pos	Part Number	Name	Remarks	Qty	Model
-	-	cable for seat-belt tensioner see group 9 / 02 / 10		X		(20)	987 561 912 00	assembly kit bracket	/R	1	
							01C	satin black			
5	999 218 101 02	hexagon-head bolt		2				use also:			
6	987 803 541 00	cover		2		-	999 190 176 00	blind rivet		4	
	01C	black				21	999 507 551 09	cable clamp		4	
7	999 075 057 09	hexagon-head bolt		2				- - - E N D - - -			
8	999 924 064 02	bush		2							
9	211 857 771	washer		2							
10	999 075 073 09	hexagon-head bolt		2							
11	811 857 845	cap		2							
	01C	black									
12	987 561 805 00	water drip pan	/L	1							
(12)	987 561 806 00	water drip pan	/R	1							
13	987 561 733 00	water drain tube	/L	1							
(13)	987 561 734 00	water drain tube	/R	1							
14	996 561 247 00	expansion rivet		2							
15	987 580 801 00	cover	/L	1							
	01C	black									
15	987 580 802 00	cover	/R	1							
	01C	black									
16	986 561 589 03	washer		2							
16	N 987 561 589 00	washer		2							
17	987 561 421 00	tension rope		2							
18	955 803 056 00	knob		2							
	HCP	black									
19	999 076 065 02	collar nut		8							
20	987 561 911 00	assembly kit bracket	/L	1							
	01C	satin black									

Model	Year	MG	SG	Illustration	Restrictions	Update	7:50	25.08.2006	PORSCHE	PET	PORSCHE
987	07	8	12	812-01		203					

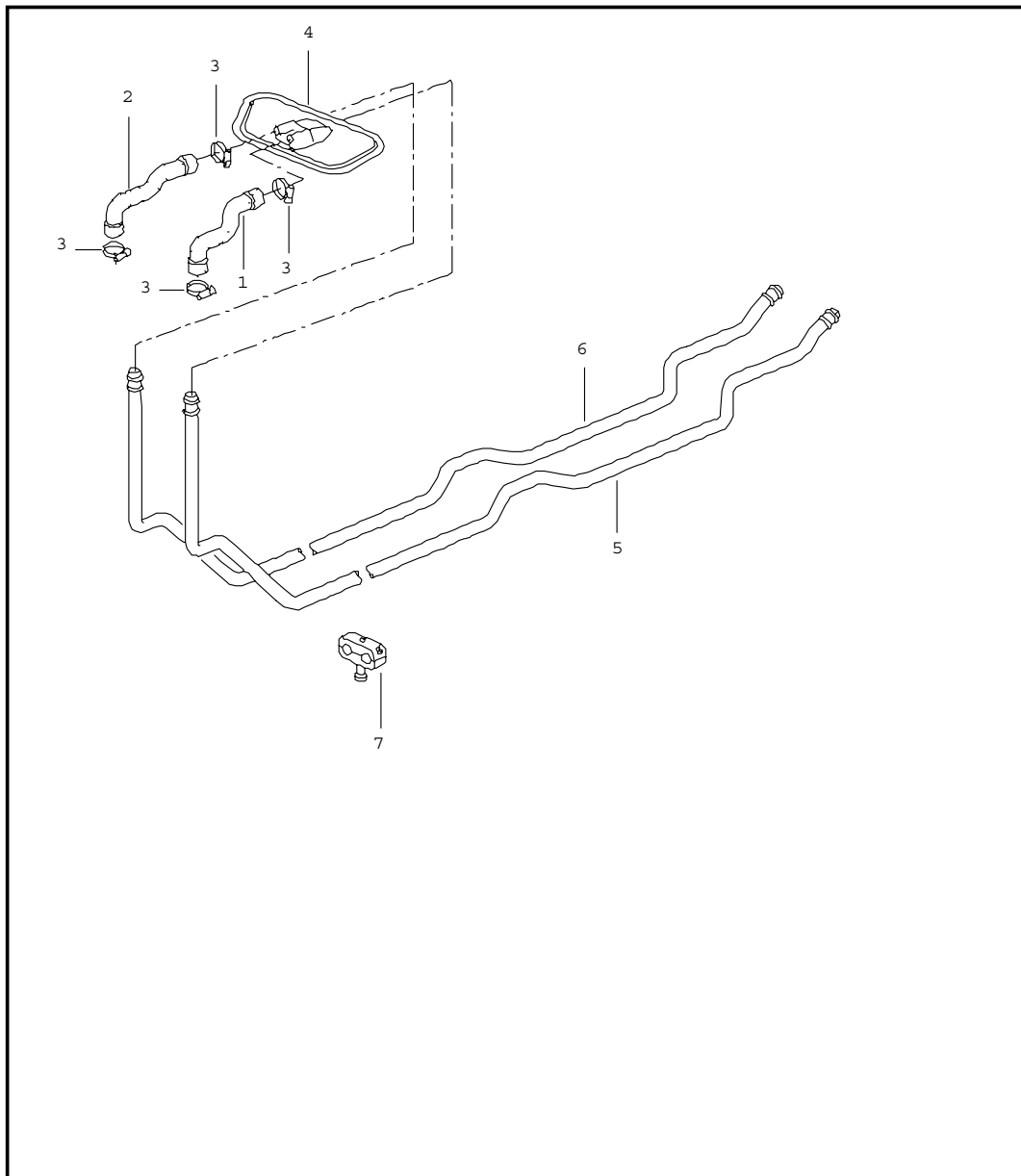


Pos	Part Number	Name	Remarks	Qty	Model
		wind deflector and linings roll-over bar			
1	987 561 125 00	wind deflector set		1	
2	987 561 583 00	side section		1	
3	987 561 621 00	wind deflector centre part		1	
4	987 561 584 00	side section		1	
5	987 561 821 00	buffer centre part		1	
6	987 561 901 00	set of fastening parts for wind deflector		1	
7	987 580 311 01	lining set leatherette		1	
	A37	black			
	B27	stone grey			
	S30	savanna			
	E27	sea blue			
	T27	sand beige			
	J27	palmgreen			
7	987 580 311 03	lining leather set		1	
	A11	black			
	D12	dark grey/natural			
	T12	brown/natural			
	3S9	sea blue			
	4P2	palmgreen			
	5X6	stone grey			
	8G2	sand beige			
	9S5	terracotta			

Model	Year	MG	SG	Illustration	Restrictions	Update					
987	07	8	12	812-01		203	7:50	25.08.2006	PORSCHE	PET	PORSCHE

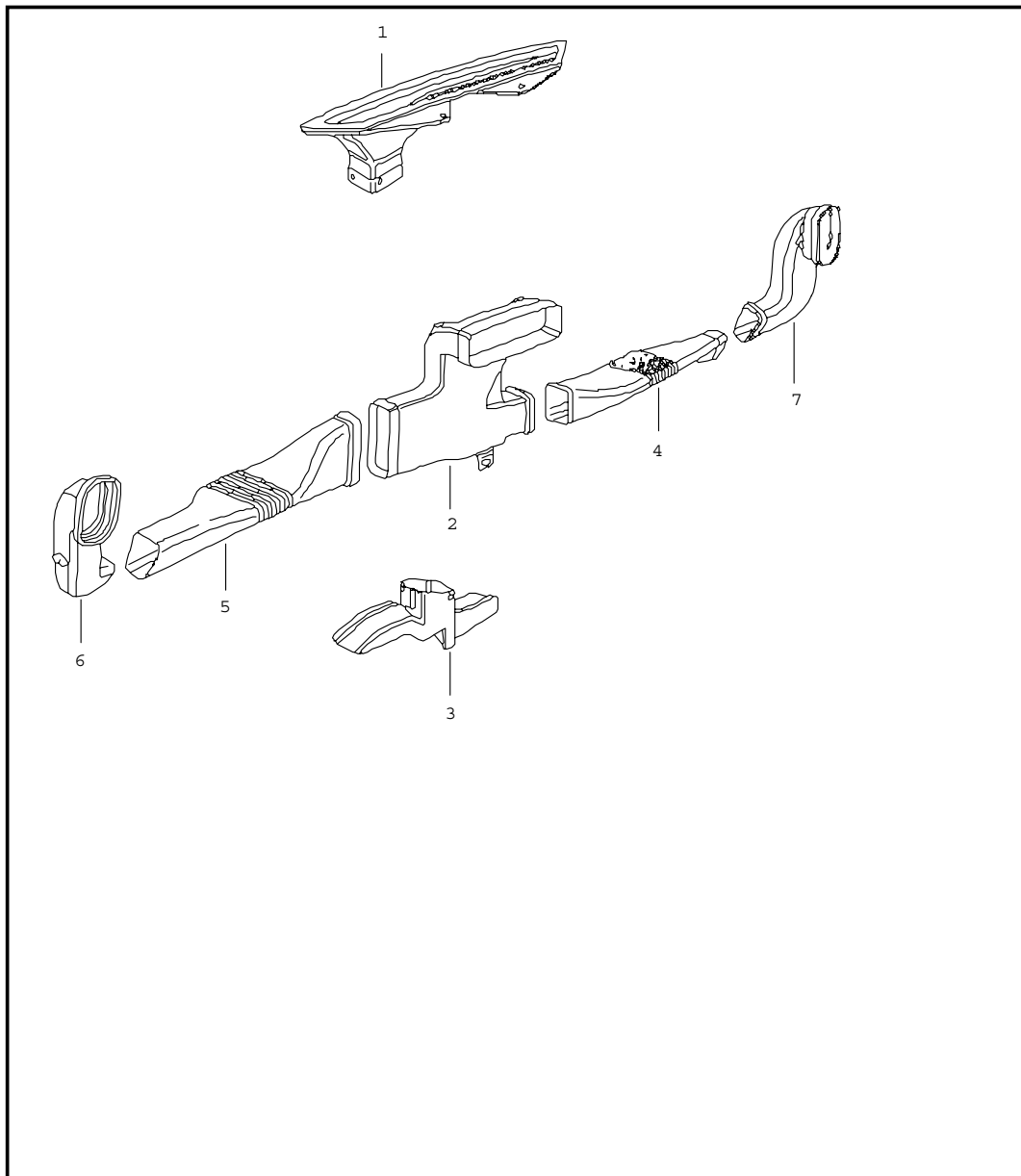
Pos	Part Number	Name	Remarks	Qty	Model	Pos	Part Number	Name	Remarks	Qty	Model
	9V6	cocoa									
8	986 580 751 00	clip		8							
- N	999 911 011 50	tread wind deflector		1							
- N	987 561 825 00	tread wind deflector see technical manual		2							
		- - - E N D - - -									

Model	Year	MG	SG	Illustration	Restrictions	Update	7:50	25.08.2006	PORSCHE	PET	PORSCHE
987	07	8	13	813-00		203					



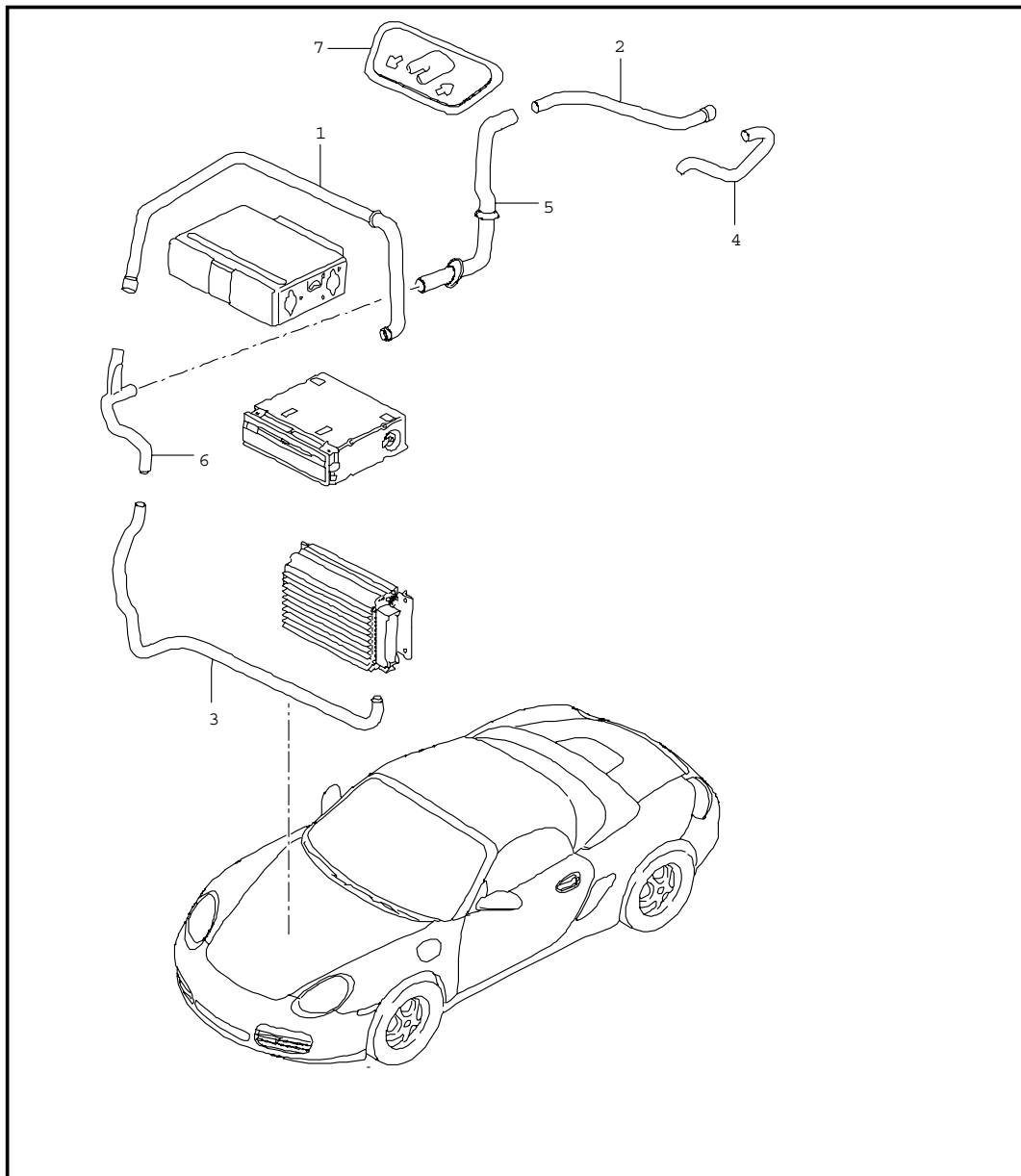
Pos	Part Number	Name	Remarks	Qty	Model
		heating system 1 feed line return line			
1	996 572 583 04	heater hose	/LL	1	I098
(1)	996 572 583 05	heater hose	/RL	1	I099
2	996 572 585 04	heater hose	/LL	1	I098
(2)	996 572 585 05	heater hose	/RL	1	I099
3	999 512 441 02	clip		4	
4	996 572 263 02	gasket	/LL	1	I098
(4)	996 572 263 03	gasket	/RL	1	I099
5	987 572 681 00	hot air duct supply		1	
6	987 572 683 00	hot air duct return		1	
7	999 511 230 40	support		4	
--	999 511 232 41	rubber mounting 19/19		4	
		- - - E N D - - -			

Model	Year	MG	SG	Illustration	Restrictions	Update	7:50	25.08.2006	PORSCHE	PET	PORSCHE
987	07	8	13	813-01		203					



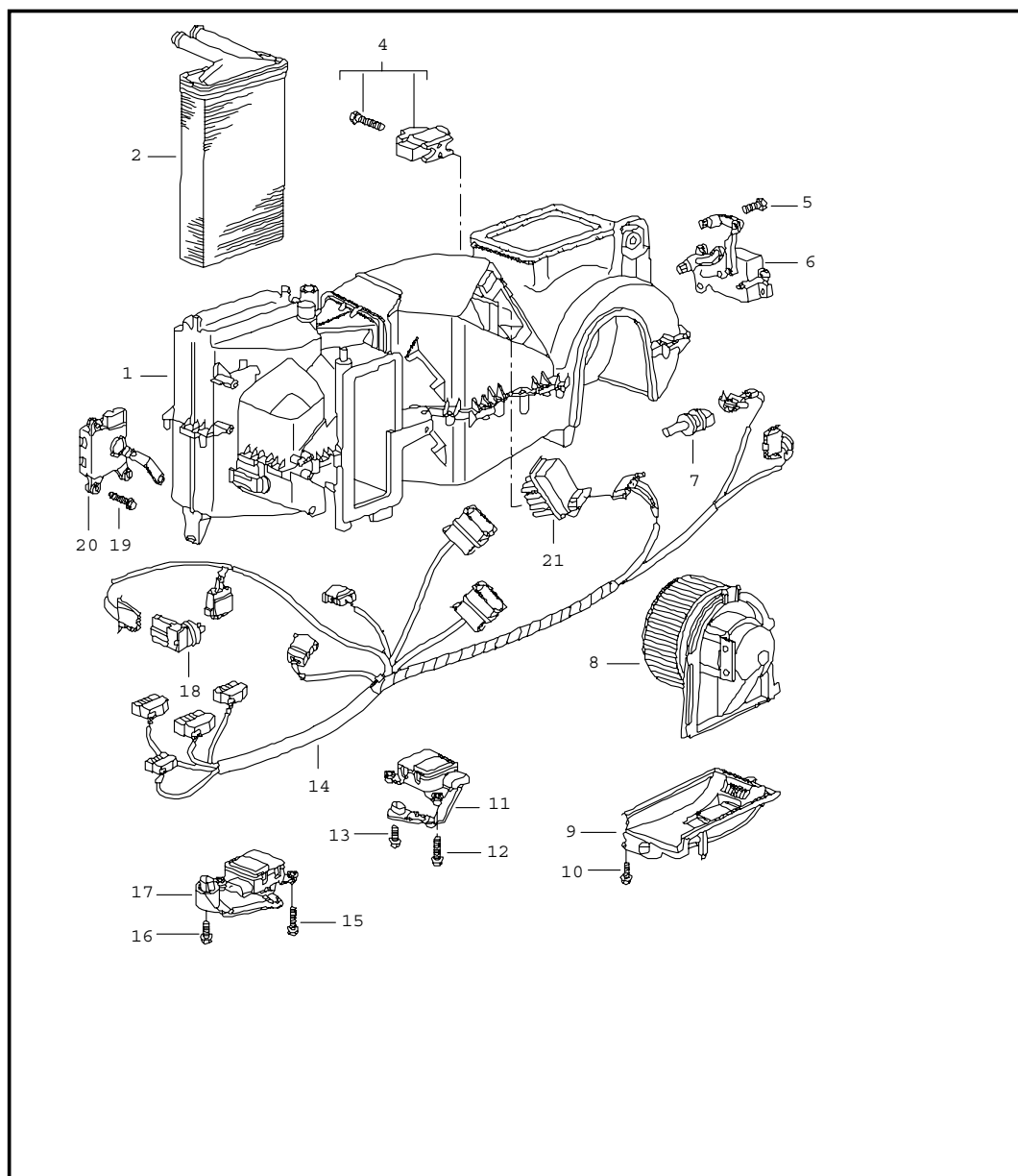
Pos	Part Number	Name	Remarks	Qty	Model
		heating air distributor			
1	997 572 631 00	defroster vent	/LL	1	I098
(1)	997 572 631 01	defroster vent	/RL	1	I099
2	997 572 171 00	air distributor	/LL	1	I098
(2)	997 572 171 01	air distributor	/LL	1	I099
3	997 572 793 00	footwell outlet vent	/LL	1	I098
(3)	997 572 793 02	footwell outlet vent	/LL	1	I098/680
(3)	997 572 793 01	footwell outlet vent	/RL	1	I099
(3)	997 572 793 03	footwell outlet vent	/RL	1	I099/680
4	997 572 464 00	air duct	/LL /R	1	I098
(4)	997 572 464 00	air duct	/RL /R	1	I099
5	997 572 463 00	air duct	/LL /L	1	I098
(5)	997 572 463 01	air duct	/RL /L	1	I099
6	987 572 767 00	air duct	/LL /L	1	I098
(6)	987 572 767 01	air duct	/RL /L	1	I099
7	987 572 768 00	air duct	/RL /R	1	I099
(7)	987 572 768 01	air duct	/LL /R	1	I098
--	987 572 769 00	intermediate piece		1	I098
--	987 572 769 01	intermediate piece		1	I099
		- - - E N D - - -			

Model	Year	MG	SG	Illustration	Restrictions	Update			PORSCHE	PET	PORSCHE
987	07	8	13	813-02		203	7:51	25.08.2006			



Pos	Part Number	Name	Remarks	Qty	Model
		luggage compartment cooling			I575
1	997 572 588 00	air duct		1	I670/215/072
(1)	997 572 588 01	air duct		1	I664/670
2	997 572 582 00	air duct		1	I072/670/553 I215
3	997 572 590 00	air duct		1	I072/670/553 I215
4	997 572 580 00	air duct		1	I072/670/215 I553
5	997 572 584 03	air duct		1	I072/670/215 I553
6	997 572 586 06	air duct		1	I072/670/215 I553/
7	997 572 263 00	gasket		1	
		- - - E N D - - -			

Model	Year	MG	SG	Illustration	Restrictions	Update	7:51	25.08.2006	PORSCHE	PET	PORSCHE
987	07	8	13	813-05		203					

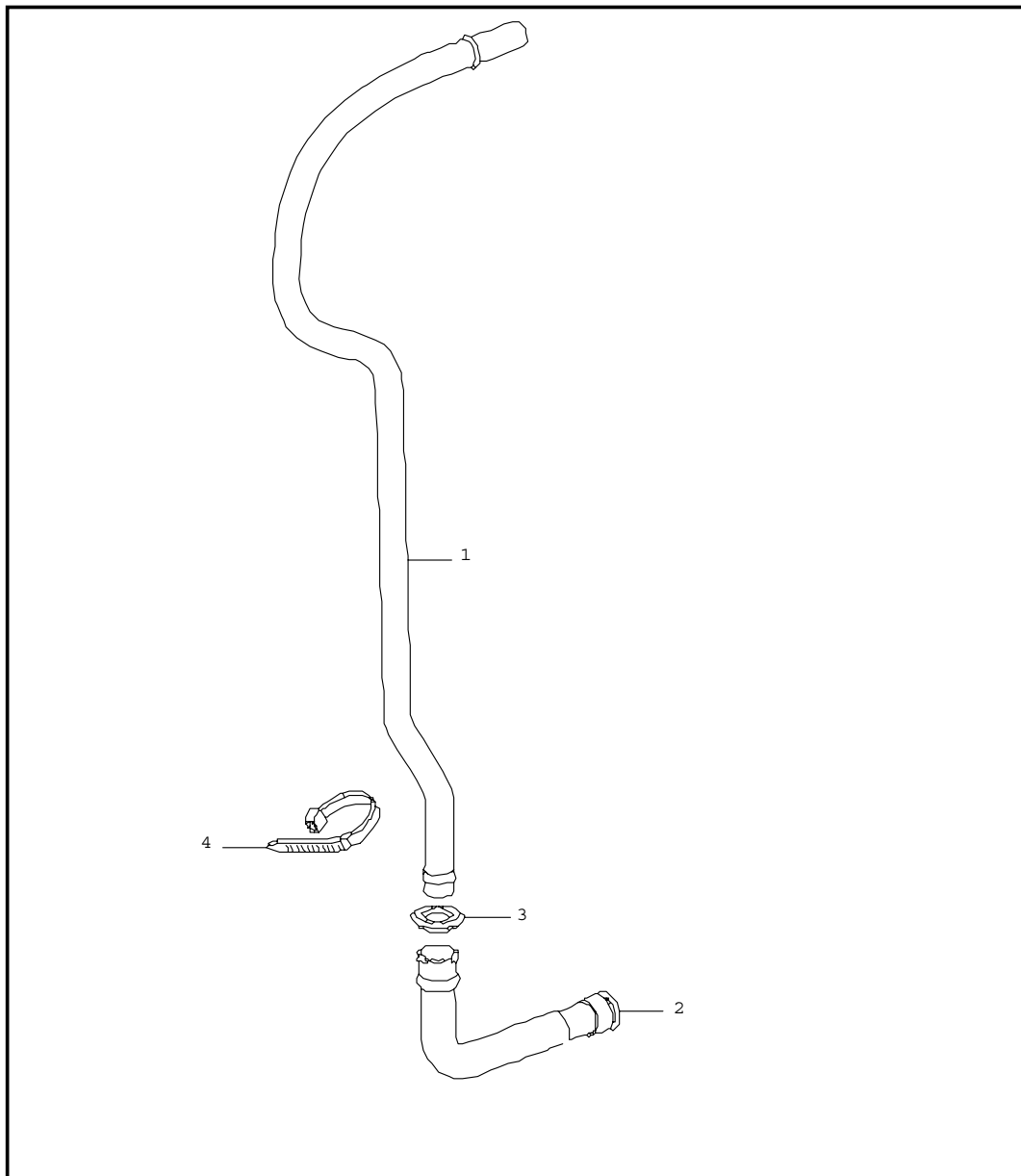


Pos	Part Number	Name	Remarks	Qty	Model
		air conditioner single parts			
1	987 573 901 00	air conditioner	/LL	1	I098/572
(1)	997 573 901 00	air conditioner	/LL	1	I098/573
(1)	987 573 901 01	air conditioner	/RL	1	I099/572
(1)	996 573 901 01	air conditioner without heat exchanger with evaporator	/RL	1	I099/573
2	996 572 129 00	heat exchanger		1	
3	996 572 913 00	gasket		1	
4	996 573 929 01	expansion valve		1	
5	900 143 102 02	screw		2	
6	996 573 915 00	electric motor central valve	/LL	1	I098
6	996 573 915 01	electric motor central valve marked green	/RL	1	I099
7	955 572 304 10	temperature sensor		1	
8	996 624 107 01	blower	/LL	1	I098
(8)	996 624 108 01	blower	/RL	1	I099
9	996 573 905 00	cover		1	
10	900 143 102 02	screw		1	
11	996 573 919 02	electric motor temperature valve marked red	/LL	1	I098
(11)	996 573 919 03	electric motor temperature valve marked red	/RL	1	I099
12	900 143 102 02	screw		1	
13	900 143 102 02	screw		1	
14	997 612 655 02	wiring harness		1	I098/573
(14)	997 612 656 02	wiring harness		1	I099/573

Model	Year	MG	SG	Illustration	Restrictions	Update					
987	07	8	13	813-05		203	7:51	25.08.2006	PORSCHE	PET	PORSCHE

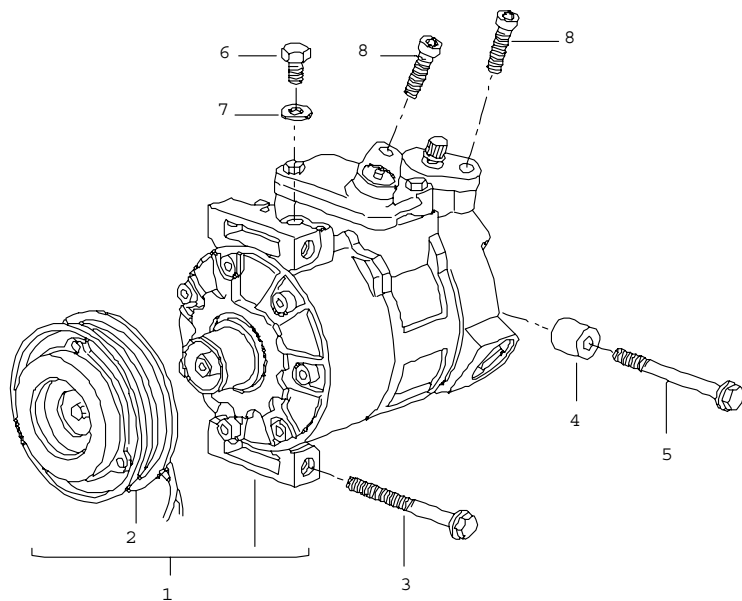
Pos	Part Number	Name	Remarks	Qty	Model	Pos	Part Number	Name	Remarks	Qty	Model
(14)	987 612 655 00	wiring harness		1	I098/572						
(14)	987 612 656 00	wiring harness		1	I099/572						
15	900 143 102 02	screw		1							
16	900 143 102 02	screw		1							
17	996 573 917 02	electric motor defroster flap	/LL	1	I098						
(17)	996 573 917 03	electric motor defroster flap marked yellow	/RL	1	I099						
18	1H0 907 543 A	temperature sensor		1							
19	900 143 102 02	screw		1							
20	996 573 921 02	electric motor air flow sensor plate	/LL	1	I098						
(20)	996 573 921 03	electric motor air flow sensor plate marked black	/RL	1	I099						
21	996 573 923 00	resistor		1							
--	996 573 927 00	interior sensor		1							
--	1H0 819 943	screw		2							
		- - - E N D - - -									

Model	Year	MG	SG	Illustration	Restrictions	Update	7:51	25.08.2006	PORSCHE	PET	PORSCHE
987	07	8	13	813-10		203					



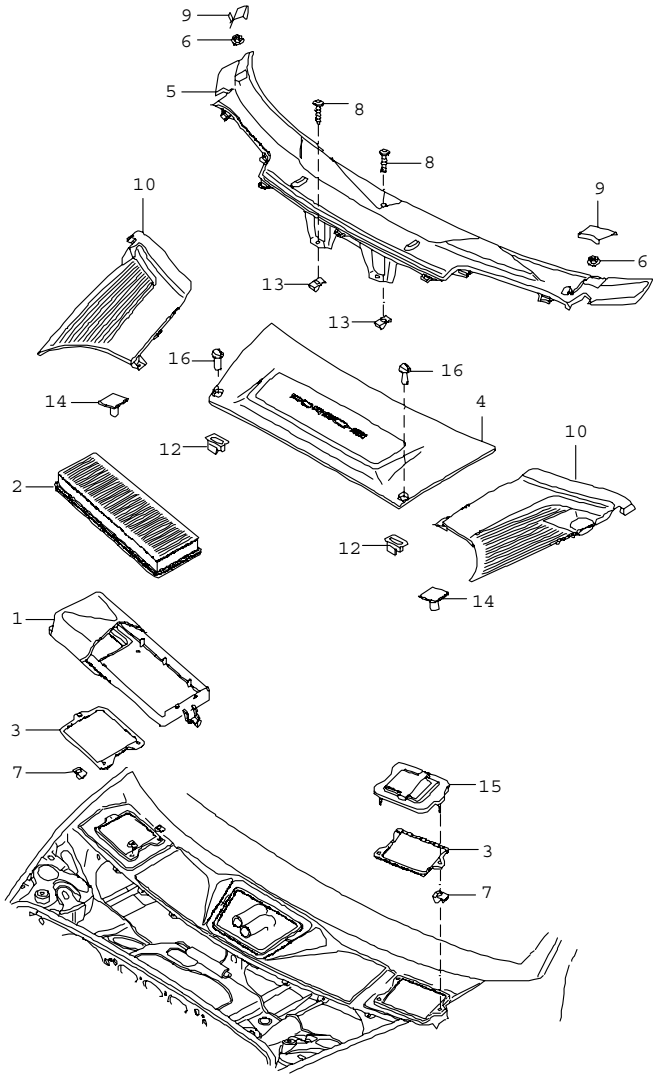
Pos	Part Number	Name	Remarks	Qty	Model
		water drain tube mount air conditioner			
1	996 573 793 01	water drain tube	/LL	1	I098
1	996 573 794 01	water drain tube	/RL	1	I099
2	996 573 797 02	connecting piece		1	
3	996 573 795 01	grommet		1	
4	999 513 049 40	tie-wrap		1	
- - - E N D - - -					

Model	Year	MG	SG	Illustration	Restrictions	Update	7:51	25.08.2006	PORSCHE	PET	PORSCHE
987	07	8	13	813-15		203					



Pos	Part Number	Name	Remarks	Qty	Model
		compressor			
1	996 126 011 52	compressor		1	
2	996 573 926 00	magnetic clutch		1	
3	900 378 075 09	hexagon-head bolt M 8X90		1	
4	996 126 102 52	spacer sleeve		1	
5	900 378 136 09	hexagon-head bolt M 8X120		1	
6	996 573 926 01	hexagon-head bolt		1	
7	996 573 926 02	sealing ring		1	
8	900 067 252 02	pan-head screw		2	
--	996 126 101 51	bracket		1	
		- - - E N D - - -			

Model	Year	MG	SG	Illustration	Restrictions	Update	7:51	25.08.2006	PORSCHE	PET	PORSCHE
987	07	8	13	813-20		203					

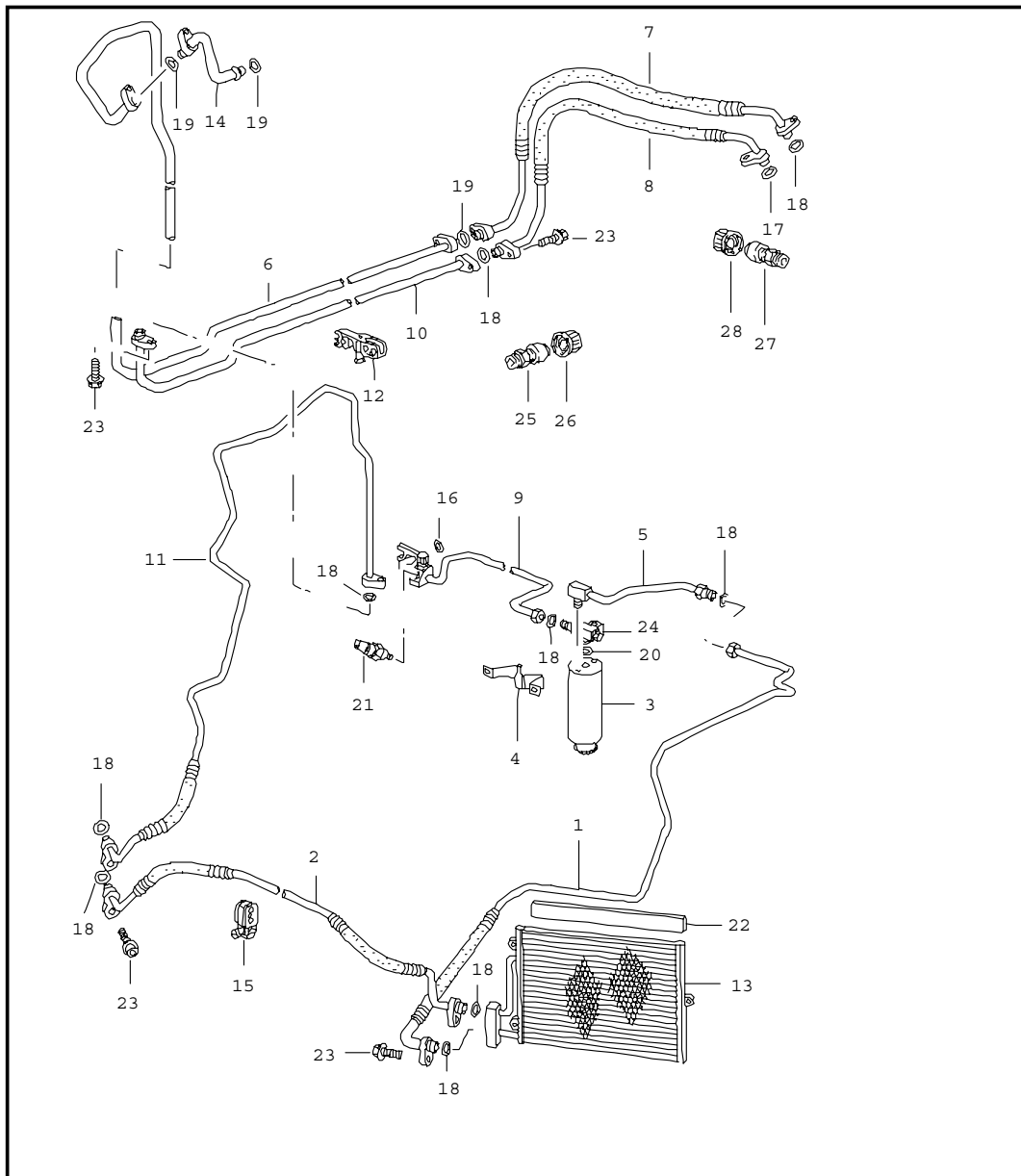


Pos	Part Number	Name	Remarks	Qty	Model
		particle filter cowl panel covering			
1	997 572 019 02	housing	/LL	1	
1	997 572 019 03	housing	/RL	1	
2	997 571 219 00	particle filter		1	
3	996 572 221 02	gasket		1	
4	997 572 567 04	cover		1	
	FMT	black battery			
4	997 572 567 03	cover		1	
	FMT	black battery			
(4)	997 572 729 02	cover particle filter	/LL	1	
(4)	997 572 729 02	cover particle filter	/RL	1	
5	997 572 563 06	cowl panel covering	/LL	1	
	FMT	black			
5	997 572 563 05	cowl panel covering	/RL	1	
	FMT	black			
6	999 049 008 40	plastic nut		2	
7	999 591 722 02	speed nut		3	
8	N 906 487 02	tapping screw		3	
9	997 572 569 04	cap	/L	2	I098
	FMT	black			
9	997 572 569 05	cap	/L	2	I099
	FMT	black			
(9)	997 572 570 04	cap	/R	1	I098
	FMT	black			
(9)	997 572 570 05	cap	/R	1	I099
	FMT	black			
10	997 572 361 03	cover	/L	1	

Model	Year	MG	SG	Illustration	Restrictions	Update					
987	07	8	13	813-20		203	7:51	25.08.2006	PORSCHE	PET	PORSCHE

Pos	Part Number	Name	Remarks	Qty	Model	Pos	Part Number	Name	Remarks	Qty	Model
	02A	black									
(10)	997 572 362 03	cover	/R	1							
	02A	black									
11	999 590 045 40	screw plug		X							
12	999 590 046 40	lock piece		2							
13	999 500 092 00	nut		2							
14	999 902 046 40	catch		1							
15	996 572 719 01	cover		2							
16	997 572 867 00	locking bolt		2							
	02A	black									
		- - - E N D - - -									

Model	Year	MG	SG	Illustration	Restrictions	Update	7:52	25.08.2006	PORSCHE	PET	PORSCHE
987	07	8	13	813-25		203					

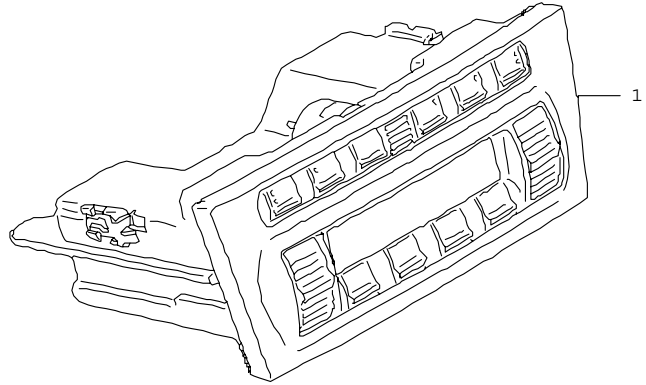


Pos	Part Number	Name	Remarks	Qty	Model
		refrigerant circuit			
1	997 573 105 00	refrigerant line		1	
2	997 573 103 00	refrigerant line		1	
3	944 573 143 01	desiccator		1	
4	996 573 451 00	support		1	
5	996 573 106 00	pressure line		1	
6	996 573 091 01	intake pipe		1	
7	987 573 099 00	intake pipe		1	M96.25/26
7	987 573 099 01	intake pipe		1	M97.20/21
8	987 573 097 00	pressure line		1	M96.25/26
8	987 573 097 03	pressure line		1	M97.20/21
9	996 573 108 04	pressure line	/LL	1	
(9)	997 573 108 01	pressure line	/RL	1	
10	996 573 092 02	pressure line		1	
11	997 573 094 00	pressure line		1	
12	996 347 543 00	cable holder		2	
13	996 573 111 03	condenser		2	
14	996 573 093 06	intake pipe	/LL	1	
14	996 573 093 07	intake pipe	/RL	1	
15	P 996 347 543 00	cable holder		X	
16	999 707 247 40	o-ring 7,5X2		2	
17	999 707 439 41	o-ring 23,8X2,4		8	
18	999 707 434 41	o-ring 10,6X2		8	
19	999 707 534 41	o-ring 17X2		X	
--	999 707 434 41	o-ring 10,6X2,0		5	
20	999 707 262 40	o-ring 6,7X1,8		X	

Model	Year	MG	SG	Illustration	Restrictions	Update					
987	07	8	13	813-25		203	7:52	25.08.2006	PORSCHE	PET	PORSCHE

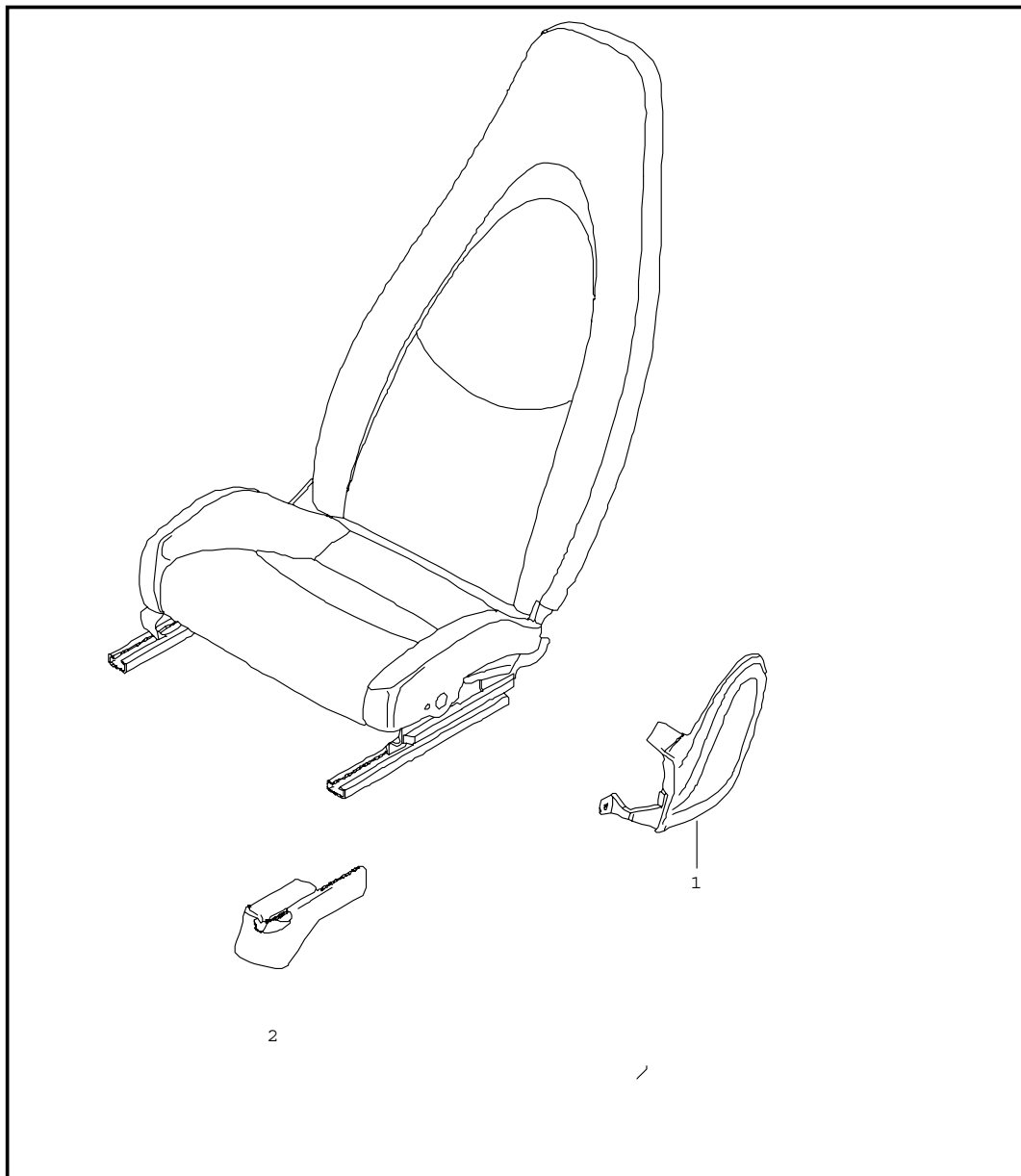
Pos	Part Number	Name	Remarks	Qty	Model	Pos	Part Number	Name	Remarks	Qty	Model
21	955 613 137 00	pressure sensor		1							
		when required order also:									
-	999 707 555 41	o-ring		1							
		10,8 X 1,8									
22	996 573 711 00	cover strip		2							
23	900 067 019 03	pan-head screw		X							
24	993 573 243 00	distributing piece	-06	1							
25	996 573 465 00	valve		1							
		intake pipe									
26	944 573 663 02	valve cap		1							
27	996 573 466 00	valve		1							
		pressure line									
28	944 573 663 01	valve cap		1							
		- - - E N D - - -									

Model	Year	MG	SG	Illustration	Restrictions	Update	7:52	25.08.2006	PORSCHE	PET	PORSCHE
987	07	8	13	813-45		203					



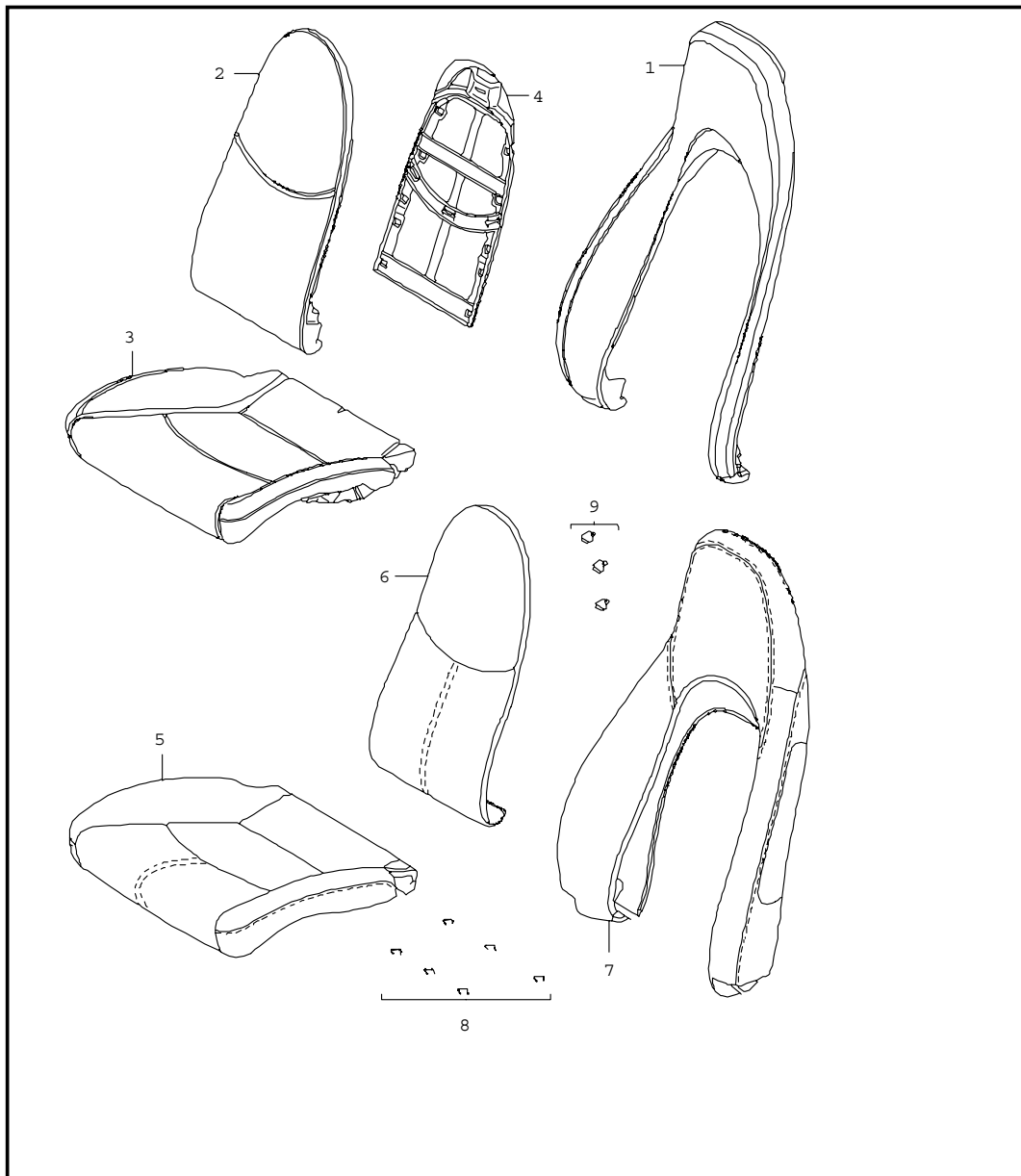
Pos	Part Number	Name	Remarks	Qty	Model
		control switch			
1	997 653 103 10	control part		1	I572
	FMH	volcano grey/black mat			
(1)	997 653 113 10	control part		1	I572/342
	FMH	volcano grey/black mat			
(1)	997 653 101 09	control part		1	I573
	FMH	volcano grey/black mat			
(1)	997 653 111 09	control part		1	I573/342
	FMH	volcano grey/black mat			
		- - - E N D - - -			

Model	Year	MG	SG	Illustration	Restrictions	Update	7:52	25.08.2006	PORSCHE	PET	PORSCHE
987	07	8	17	817-00		203					



Pos	Part Number	Name	Remarks	Qty	Model
		front seat series seat comfort seat complete not available	05- 05-		BOXSTER BOXSTER S
1	997 521 315 02	trim mounting component	/L	1	I369/375 I377/437
	D07	volcano grey			
(1)	997 521 316 02	trim mounting component	/R	1	I370/376 I378/438
	D07	volcano grey			
(1)	997 521 316 03	trim mounting component advancedairbag	/R 06-	1	I370/376 I378/438/560
	D07	volcano grey			
2	997 521 359 01	rail seat rail	/L	1	I369/375
	01C	satin black			
(2)	997 521 360 01	rail seat rail	/R	1	I370/376
	01C	satin black			
(2)	997 521 361 00	rail seat rail	/L	1	I370/376/377 I378/437/438
	01C	satin black			
(2)	997 521 362 00	rail seat rail	/R	1	I369/375/377 I378/437/438
	01C	satin black			
- - - E N D - - -					

Model	Year	MG	SG	Illustration	Restrictions	Update	7:52	25.08.2006	PORSCHE	PET	PORSCHE
987	07	8	17	817-02		203					



Pos	Part Number	Name	Remarks	Qty	Model
		foam part cover series seat comfort seat	05- 05-		BOXSTER BOXSTER S
1	997 521 535 00	foam part backrest outer		2	I369/370 I437/438
2	997 521 581 00	foam part backrest centre		2	I369/370/375 I376/377/378 I437/438
3	997 521 571 00	foam part seat cushion		1	I369/370 I437/438
(3)	997 521 571 03	foam part seat cushion advancedairbag	06-	1	I370/438/560
4	997 521 551 00	cushion carrier backrest		2	I369/370/375 I376/377/378 I437/438
5	987 521 161 00	cover for cushion FLA black FLD stone grey FLG sand beige FLK sea blue FLN palmgreen		2	I369/370/950
(5)	997 521 161 00	cover for cushion FLB black FLE stone grey FLH sand beige FLL sea blue FLO palmgreen		1	I369/370/437 I438/946
(5)	997 521 161 01	cover for cushion FLC black FLF stone grey FLJ sand beige FLM sea blue		1	I369/370/437 I438/983

Model	Year	MG	SG	Illustration	Restrictions	Update					
987	07	8	17	817-02		203	7:52	25.08.2006	PORSCHE	PET	PORSCHE

Pos	Part Number	Name	Remarks	Qty	Model	Pos	Part Number	Name	Remarks	Qty	Model
	FLP	palmgreen					4Q2	palmgreen			
	FLQ	terracotta				(6)	997 521 151 00	backrest cushion cover centre part		1	I983
	FLR	cocoa					8YR	black			
	BCA	black/stone grey					5X5	stone grey			
	VAA	dark grey/natural					8G1	sand beige			
	VAB	brown/natural					3S8	sea blue			
(5)	997 521 161 02	cover for cushion		1	I369/370/437		4P1	palmgreen			
	FLC	black			I438/982		9N2	terracotta			
	FLF	stone grey					9Q3	cocoa			
	FLJ	sand beige					D11	dark grey/natural			
	FLM	sea blue					T11	brown/natural			
	FLP	palmgreen				(6)	997 521 151 01	backrest cushion cover centre part		1	I369/370/437 I438/982
	FLQ	terracotta					8YR	black			
	FLR	cocoa					5X5	stone grey			
	BCA	black/stone grey					8G1	sand beige			
	VAA	dark grey/natural					3S8	sea blue			
	VAB	brown/natural					4P1	palmgreen			
6	987 521 151 00	backrest cushion cover centre part		2	I369/370/950		9N2	terracotta			
	A15	black					9Q3	cocoa			
	B15	stone grey					D11	dark grey/natural			
	T45	sand beige					T11	brown/natural			
	G15	metropole blue				7	987 521 141 00	backrest cover outer part	/L	1	I369/950
	J45	palmgreen					FLA	black			
(6)	997 521 151 00	backrest cushion cover centre part		1	I946		FLD	stone grey			
	A08	black					FLG	sand beige			
	5D6	stone grey					FLK	sea blue			
	T25	sand beige					FLN	palmgreen			
	3W7	sea blue									

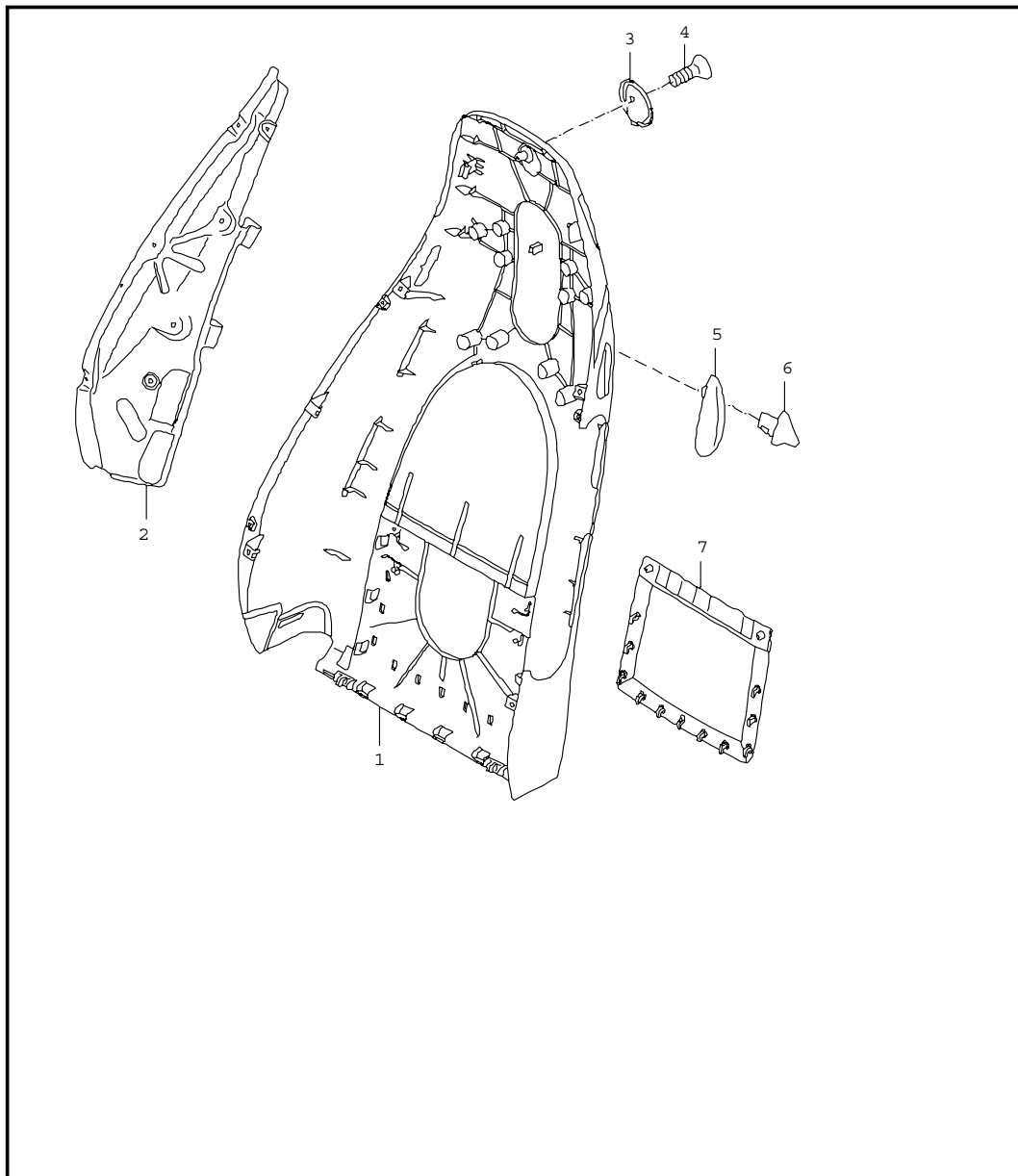
Model	Year	MG	SG	Illustration	Restrictions	Update	7:52	25.08.2006	PORSCHE	PET	PORSCHE
987	07	8	17	817-02		203					

Pos	Part Number	Name	Remarks	Qty	Model	Pos	Part Number	Name	Remarks	Qty	Model
(7)	987 521 142 00	backrest cover outer part	/R	1	I370/950		VAB	brown/natural			
	FLA	black				(7)	987 521 142 02	backrest cover outer part	/R	1	I370/438 I982/983
	FLD	stone grey					FLC	black			
	FLG	sand beige					FLF	stone grey			
	FLK	sea blue					FLJ	sand beige			
	FLN	palmgreen					FLM	sea blue			
(7)	987 521 141 01	backrest cover outer part	/L	1	I369/437/946		FLP	palmgreen			
	FLB	black					FLQ	terracotta			
	FLE	stone grey					FLR	cocoa			
	FLH	sand beige					VAA	dark grey/natural			
	FLI	sea blue					VAB	brown/natural			
	FLO	palmgreen				(7)	987 521 941 00	backrest cover outer part	/L	1	IXSC/946
(7)	987 521 142 01	backrest cover outer part	/R	1	I370/438/946		A08	black			
	FLB	black					5X5	stone grey			
	FLE	stone grey					3S8	sea blue			
	FLH	sand beige					4P1	palmgreen			
	FLI	sea blue				(7)	987 521 942 00	backrest cover outer part	/R	1	IXSC/946
	FLO	palmgreen					A08	black			
(7)	987 521 141 02	backrest cover outer part	/L	1	I369/437 I982/983 I982/983		5X5	stone grey			
	FLC	black					3S8	sea blue			
	FLF	stone grey					4P1	palmgreen			
	FLJ	sand beige				(7)	987 521 941 01	backrest cover outer part	/L	1	IXSC/982/983
	FLM	sea blue					8YR	black			
	FLP	palmgreen					5X5	stone grey			
	FLQ	terracotta					8G1	sand beige			
	FLR	cocoa					3S8	sea blue			
	VAA	dark grey/natural					4P1	palmgreen			

Model	Year	MG	SG	Illustration	Restrictions	Update					
987	07	8	17	817-02		203	7:52	25.08.2006	PORSCHE	PET	PORSCHE

Pos	Part Number	Name	Remarks	Qty	Model	Pos	Part Number	Name	Remarks	Qty	Model
		9N2 terracotta									
		9Q3 cocoa									
		D11 dark grey/natural									
		T11 brown/natural									
(7)	987 521 942 01	backrest cover outer part	/R	1	IXSC/982/983						
		8YR black									
		5X5 stone grey									
		8G1 sand beige									
		3S8 sea blue									
		4P1 palmgreen									
		9N2 terracotta									
		9Q3 cocoa									
		D11 dark grey/natural									
		T11 brown/natural									
8	997 521 837 00	clip padding seat		6							
9	997 521 897 00	clip backrest cover		5							
		- - - E N D - - -									

Model	Year	MG	SG	Illustration	Restrictions	Update	7:53	25.08.2006	PORSCHE	PET	PORSCHE
987	07	8	17	817-04		203					

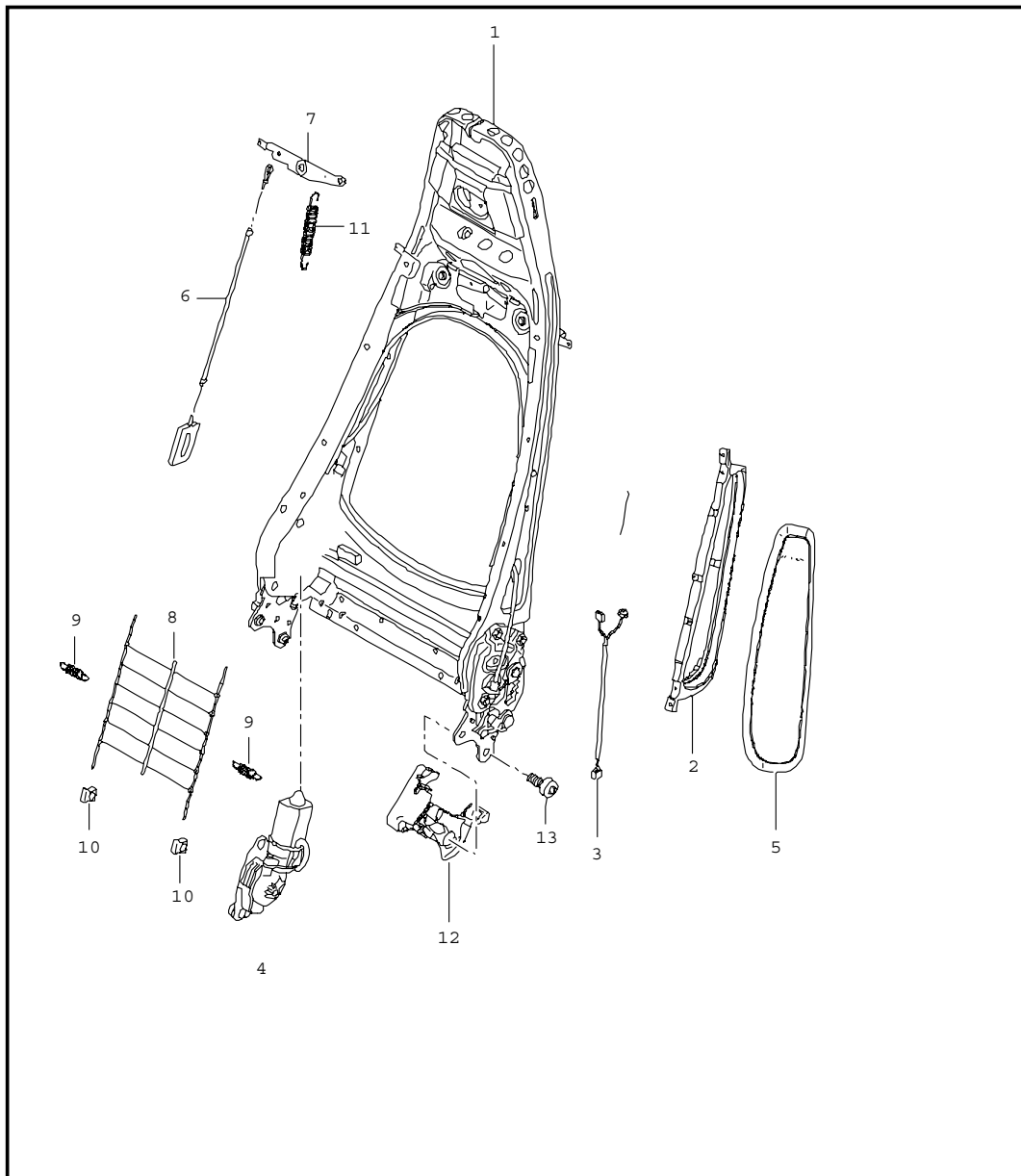


Pos	Part Number	Name	Remarks	Qty	Model
		backrest shell series seat comfort seat	05- 05-		BOXSTER BOXSTER S
1	987 521 303 02	backrest shell	/L 05	1	I369/437
	01C	satin black			
(1)	987 521 304 02	backrest shell	/R 05	1	I370/438
	01C	satin black			
(1)	987 521 303 04	backrest shell	/L 06-	1	I369/437
	01C	satin black			
(1)	987 521 304 04	backrest shell	/R 06-	1	I370/438
	01C	satin black			
(2)	997 521 319 00	bracket	/L	1	
2	997 521 320 00	bracket backrest side part	/R	1	
3	997 521 373 01	coat hook		2	
	D07	volcano grey			
4	999 919 199 09	countersunk-head screw coat hook 5,0 X 25-M		1	
5	997 521 621 02	rose locking lever	/L	1	I369/370 I437/438
	D07	volcano grey			
(5)	997 521 622 02	rose locking lever	/R	1	I369/370 I437/438
	D07	volcano grey			
6	987 521 623 01	control button locking lever	/L	1	
	V05	galvano silver			
(6)	987 521 624 01	control button locking lever	/R	1	
	V05	galvano silver			
7	997 521 313 01	bag backrest shell		1	I369/370/437 I438/982/983
	8YR	black			

Model	Year	MG	SG	Illustration	Restrictions	Update					
987	07	8	17	817-04		203	7:53	25.08.2006	PORSCHE	PET	PORSCHE

Pos	Part Number	Name	Remarks	Qty	Model	Pos	Part Number	Name	Remarks	Qty	Model
(7)	987 521 313 01	bag backrest shell		1	I369/370/437 I438/946/950						
	5Q2	black									
		- - - E N D - - -									

Model	Year	MG	SG	Illustration	Restrictions	Update	7:53	25.08.2006	PORSCHE	PET	PORSCHE
987	07	8	17	817-06		203					

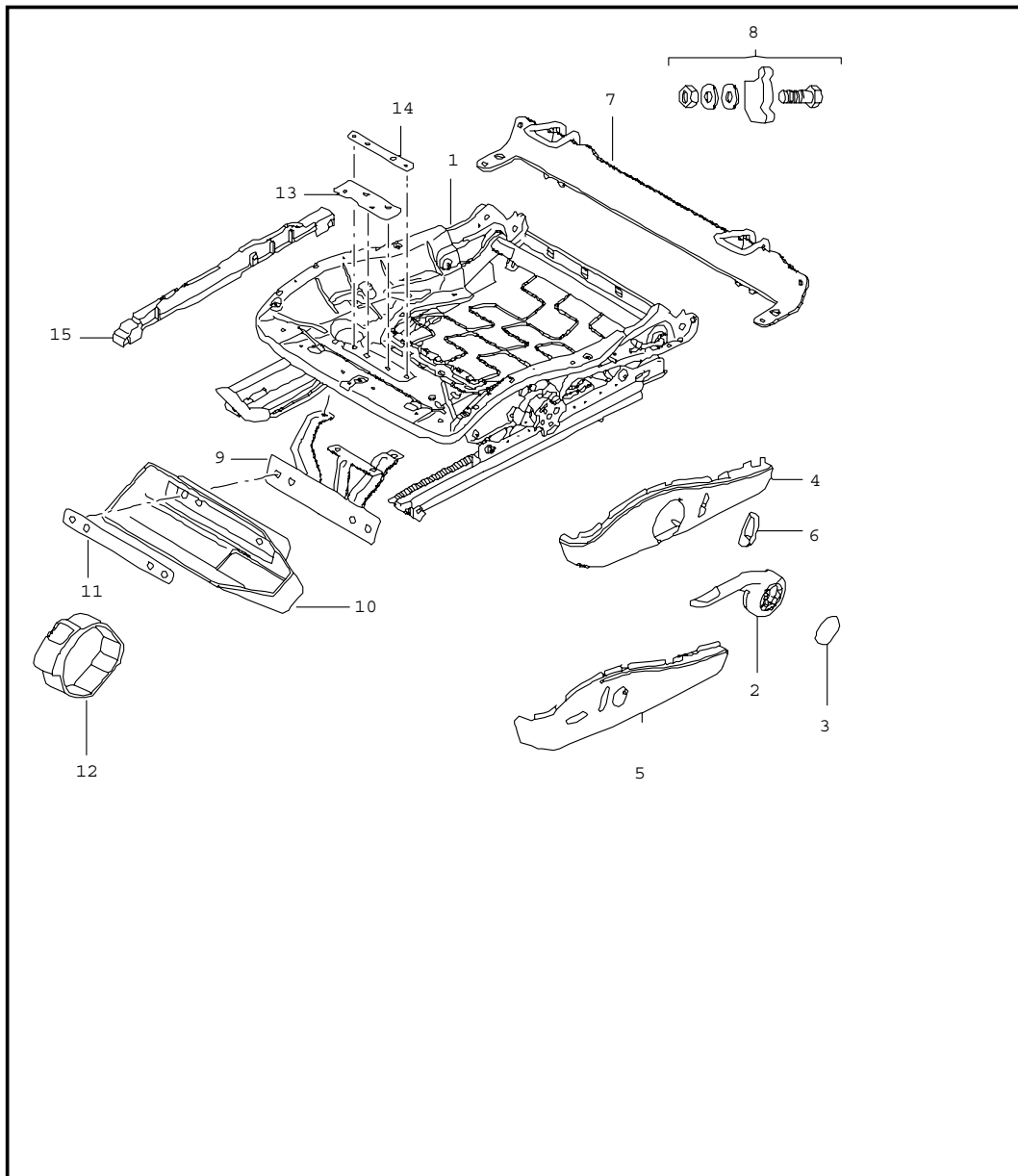


Pos	Part Number	Name	Remarks	Qty	Model
		backrest frame series seat comfort seat	05- 05-		BOXSTER BOXSTER S
1	997 521 329 00	backrest frame without memory	/L/R	2	I369/370 I437/438
(1)	997 521 329 01	backrest frame with memory	/L/R	2	I537/538
2	997 521 533 00	cushion carrier	/L	1	I369/437
(2)	997 521 534 00	cushion carrier side airbag	/R	1	I370/438
3	997 612 785 01	wiring harness	/L	1	I537
(3)	997 612 786 01	wiring harness side airbag	/R	1	I538
4	997 624 331 00	electric motor backrest frame memory	/L/R	1	I537/538
(4)	997 624 321 00	electric motor backrest frame without memory	/L/R	1	I369/370 I437/438
5	997 803 081 01	side airbag	/L	1	
	A03	black			
	5V7	stone grey			
	5Z1	sand beige			
	8W7	sea blue			
	5Y2	palmgreen			
	8X8	terracotta			
	8P9	cocoa			
	T13	brown/natural			
(5)	997 803 082 01	side airbag	/R	1	
	A03	black			
	5V7	stone grey			
	5Z1	sand beige			
	8W7	sea blue			

Model	Year	MG	SG	Illustration	Restrictions	Update					
987	07	8	17	817-06		203	7:53	25.08.2006	PORSCHE	PET	PORSCHE

Pos	Part Number	Name	Remarks	Qty	Model	Pos	Part Number	Name	Remarks	Qty	Model
	5Y2	palmgreen									
	8X8	terracotta									
	8P9	cocoa									
	T13	brown/natural									
6	997 521 485 00	bowden cable backrest frame		2							
7	997 521 375 00	release backrest frame		1							
8	997 521 855 00	grille backrest frame		1							
9	997 521 893 00	tension spring inner spring		2							
10	997 521 895 00	clip inner spring		2							
11	997 521 797 00	tension spring release backrest		1							
12	997 521 335 01	cover	/L	1							
	D07	volcano grey									
(12)	997 521 336 01	cover mounting component inner	/R	1							
	D07	volcano grey									
13	999 073 375 09	screw M10 x 13,0 mount backrest seat adjuster		4							
		- - - E N D - - -									

Model	Year	MG	SG	Illustration	Restrictions	Update	7:53	25.08.2006	PORSCHE	PET	PORSCHE
987	07	8	17	817-08		203					

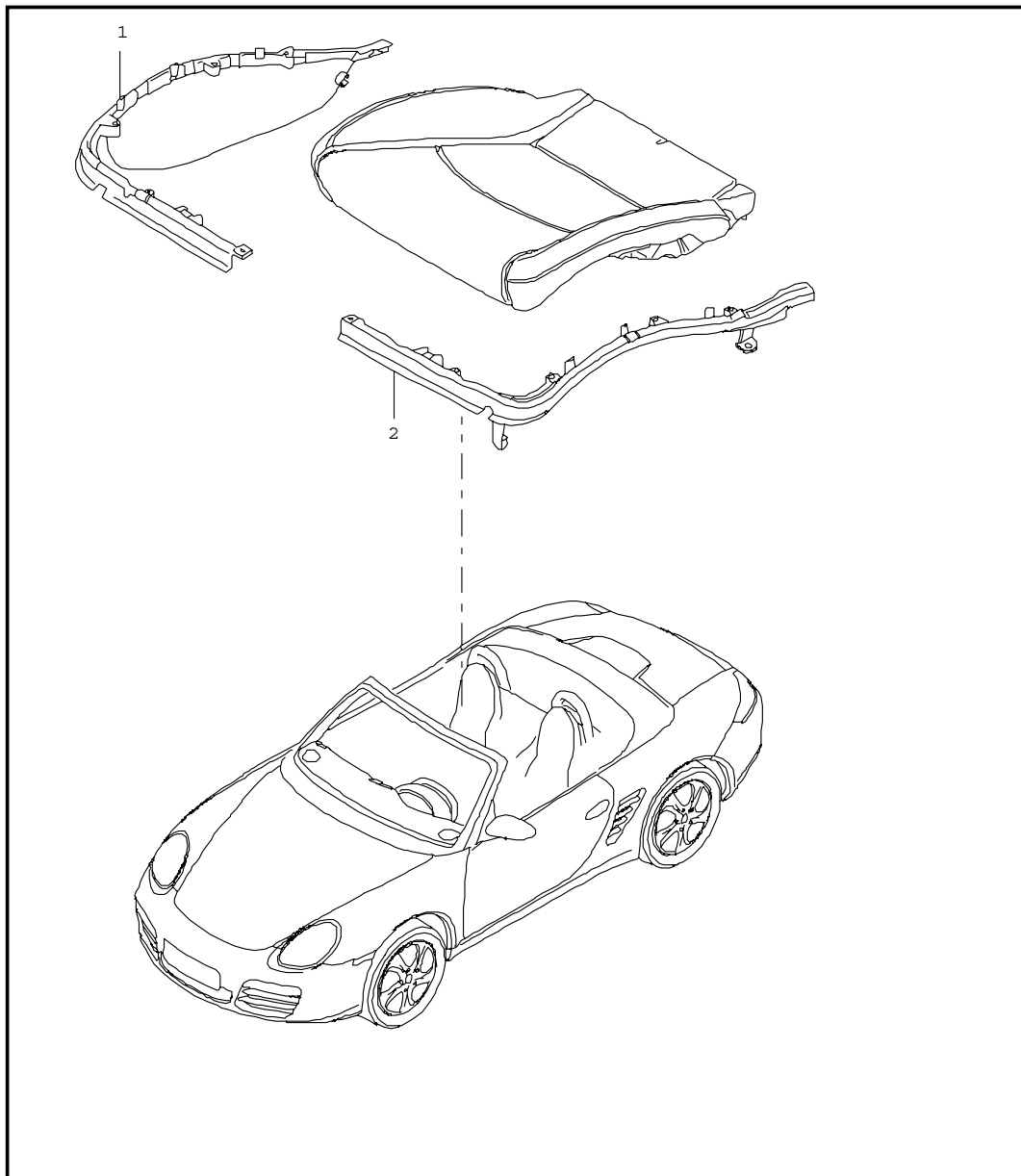


Pos	Part Number	Name	Remarks	Qty	Model
		seat adjuster series seat comfort seat	05- 05-		BOXSTER BOXSTER S
1	997 521 201 00	seat adjuster height adjustment manual left-hand drive driver's side	/L	1	I098/369/375
(1)	997 521 202 00	seat adjuster height adjustment manual right-hand drive driver's side	/R	1	I099/370/376
(1)	997 521 201 04	seat adjuster	/L	1	I377/437
(1)	997 521 202 10	seat adjuster electric without memory	/R	1	I378/438
(1)	997 521 201 05	seat adjuster	/L	1	I377/437/537
(1)	997 521 202 10	seat adjuster electric memory	/R	1	I378/438/538
(1)	997 521 202 10	seat adjuster electric without memory	/R	1	I378/438
(1)	997 521 202 11	seat adjuster electric memory	/R	1	I378/438/538
(1)	997 521 201 03	seat adjuster manual right-hand drive passenger's side	/L	1	I099/369/375
(1)	997 521 202 06	seat adjuster manual seat occupancy detection	/R 06-	1	I370/376/560
(1)	997 521 202 12	seat adjuster electric seat occupancy detection	06-	1	I378/438/560
(1)	997 521 202 05	seat adjuster manual left-hand drive passenger's side	/R	1	I098/370/376
2	997 521 627 01	actuating lever height adjustment	/L	1	I369/375

Model	Year	MG	SG	Illustration	Restrictions	Update	7:53	25.08.2006	PORSCHE	PET	PORSCHE
987	07	8	17	817-08		203					

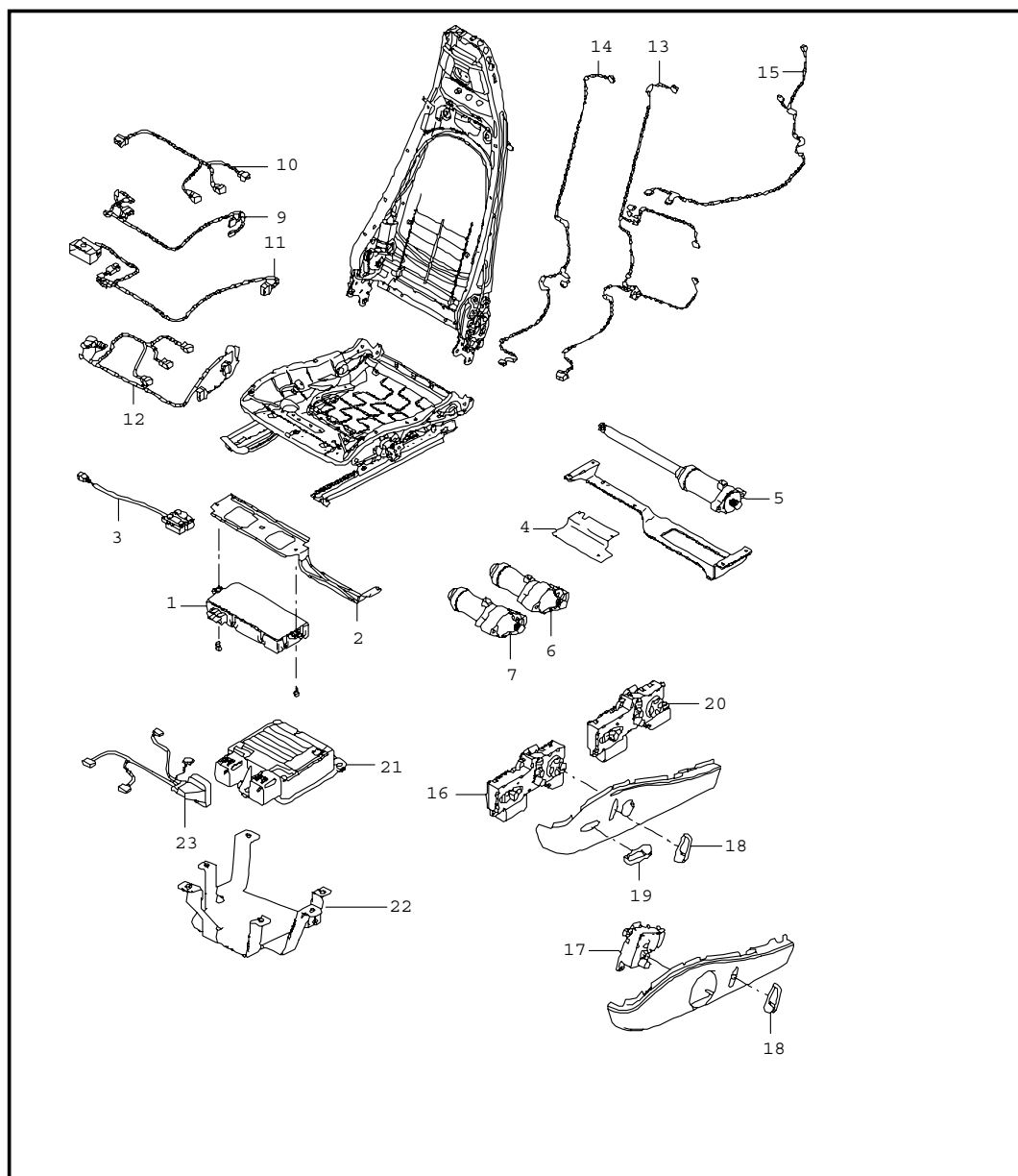
Pos	Part Number	Name	Remarks	Qty	Model	Pos	Part Number	Name	Remarks	Qty	Model
	V05	galvano silver				8	997 521 961 01	set of fastening parts retaining bow		1	
(2)	997 521 628 01	actuating lever height adjustment	/R	1	I370/376	9	997 521 251 00	support fire extinguisher		1	I098/509
	V05	galvano silver				(9)	997 521 252 00	support fire extinguisher		1	I099/509
3	997 521 629 01	cap actuating lever	/L/R	2	I369/370 I375/376	10	997 521 607 00	cup fire extinguisher		1	I509
	D07	volcano grey				11	997 521 881 00	support cup fire extinguisher		1	I509
4	997 521 325 06	trim for switch	/L	1	I369/375	12	997 521 851 00	restraining strap fire extinguisher		1	I509
	D07	volcano grey without advancedairbag				13	997 521 841 00	reinforcement front		1	I509
(4)	997 521 326 06	trim for switch	/R	1	I370/376	14	997 521 843 00	reinforcement rear		1	I509
	D07	volcano grey without advancedairbag				(15)	997 521 427 01	cover sensor weight	/L 06-	1	I370/376/378 I438/560
5	997 521 325 07	trim for switch without advancedairbag	/L	1	I437		01C	satin black			
(5)	997 521 326 07	trim for switch without advancedairbag	/R	1	I438	15	997 521 426 01	cover sensor weight	/R 06-	1	I370/376/378 I438/560
	D07	volcano grey					01C	satin black			
(5)	997 521 326 09	trim for switch advancedairbag	/R 06-	1	I370/376/560	16	999 141 047 01	torx screw mount seat rail		4	
	D07	volcano grey						- - - E N D - - -			
(5)	997 521 326 10	trim for switch advancedairbag	/R 06-	1	I438/560						
	D07	volcano grey									
6	997 521 631 01	control button backrest		1	I369/370/375 I376/377/378						
	V05	galvano silver			I437/438						
7	997 521 061 01	retaining bow child car seat ISOFIX not for AUSTRALIEN		1							

Model	Year	MG	SG	Illustration	Restrictions	Update					
987	07	8	17	817-09		203	7:53	25.08.2006	PORSCHE	PET	PORSCHE



Pos	Part Number	Name	Remarks	Qty	Model
		cushion carrier frame seat surface series seat comfort seat	05- 05-		BOXSTER BOXSTER S
1	997 521 547 00	frame	/L	1	I370/438
(1)	997 521 548 00	frame inner	/R	1	I369/437
2	997 521 545 00	frame	/L	1	I369/437
(2)	997 521 546 00	frame outer right without advancedairbag	/R	1	I370/438
-	997 521 546 01	frame outer right with advancedairbag	/R 06-	1	I370/438/560
- - - E N D - - -					

Model	Year	MG	SG	Illustration	Restrictions	Update	7:54	25.08.2006	PORSCHE	PET	PORSCHE
987	07	8	17	817-10		203					

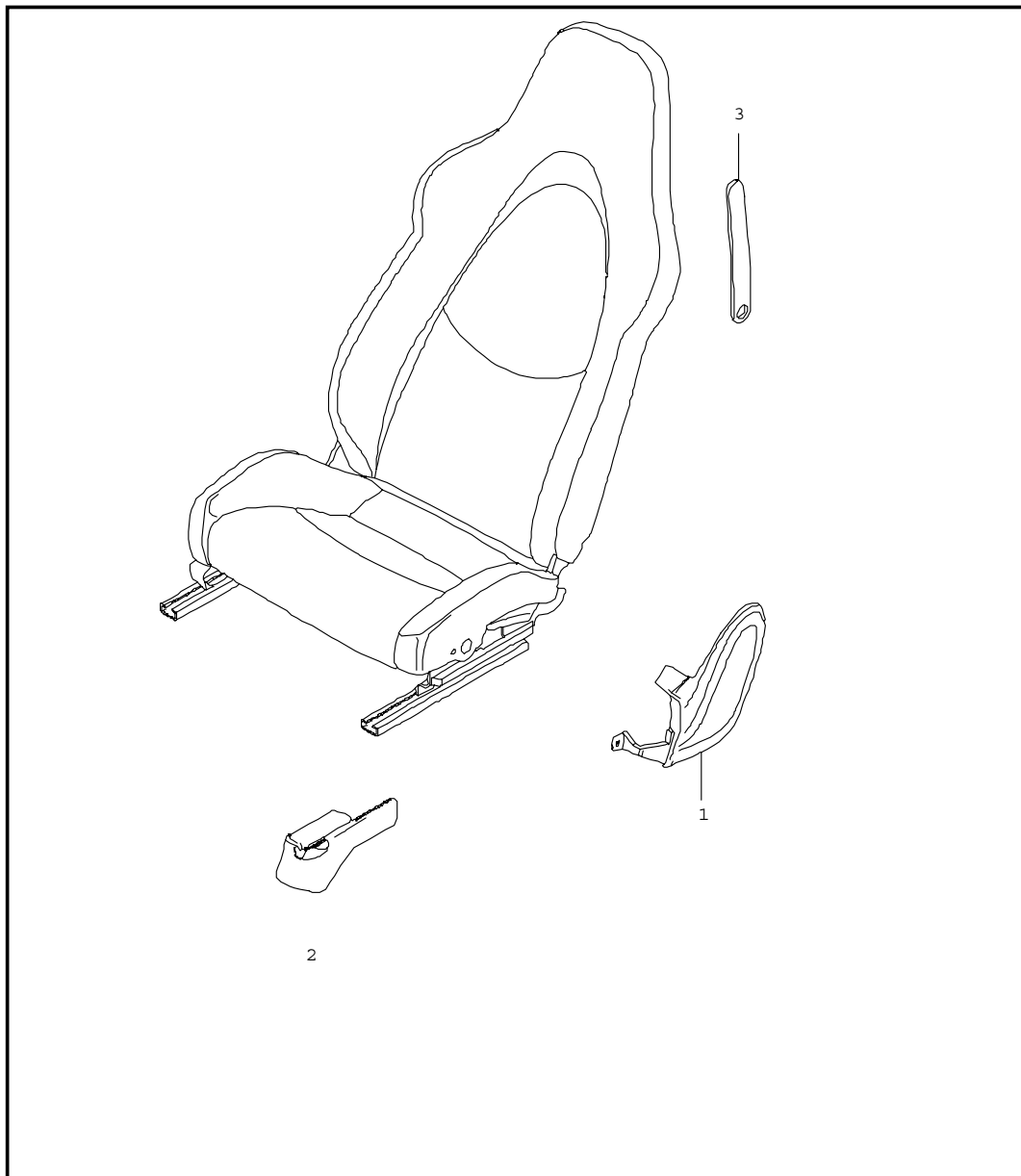


Pos	Part Number	Name	Remarks	Qty	Model
		harnesses control unit switch series seat comfort seat	05- 05-		BOXSTER BOXSTER S
1	997 618 537 07	control unit seating position control		1	I537/538
2	997 521 643 00	support control unit seating position control		1	I377/378/437 I438/537/538
3	997 613 725 00	switch seat adjuster		1	I377
		V05 galvano silver			
(3)	997 613 726 00	switch seat adjuster		1	I378
		V05 galvano silver			
4	997 521 343 00	support compressor		1	I377/378
5	997 624 322 00	electric motor seat adjuster lengthways height adjustment without memory		1	I377/378 I437/438
(5)	997 624 332 00	electric motor seat adjuster lengthways height adjustment memory		1	I537/538
6	997 624 323 00	electric motor seat adjuster without memory tilt		1	I377/378 I437/438
7	997 624 333 00	electric motor seat adjuster with memory tilt		1	I537/538
9	997 612 684 00	wiring harness seat adjuster memory		1	I537/538

Model	Year	MG	SG	Illustration	Restrictions	Update	7:54	25.08.2006	PORSCHE	PET	PORSCHE
987	07	8	17	817-10		203					

Pos	Part Number	Name	Remarks	Qty	Model	Pos	Part Number	Name	Remarks	Qty	Model
10	997 612 690 00	wiring harness lengthways height adjustment memory		1	I537/538	20	997 613 717 01	switch seat adjuster without memory	/L	1	I377/437
11	997 612 682 01	wiring harness switch seat adjuster		1	I369/370 I375/376		V05	galvano silver			
12	997 612 683 01	wiring harness switch seat adjuster without memory		1	I437/438	(20)	997 613 718 01	switch seat adjuster without memory	/R	1	I378/438
							V05	galvano silver			
13	997 612 689 00	wiring harness lumbar support without memory		1	I377/378 I437/438	(21)	997 618 233 05	control unit seat occupancy detection	06-	1	I370/376/378 I438/560
						(22)	997 521 646 00	support control unit seat occupancy detection	06-	1	I370/376/378 I438/560
14	997 612 687 00	wiring harness lumbar backrest memory		1	I537/538 I437/438	23	997 612 688 00	wiring harness control unit seat occupancy detection	06-	1	I370/376/378 I438/560
15	997 612 685 01	wiring harness backrest	/L	1	I369/375 I377/437			- - - E N D - - -			
(15)	997 612 686 01	wiring harness backrest	/R	1	I370/376 I378/438						
16	997 613 721 01	switch seat adjuster memory switch	/L	1	I377/437/537						
	V05	galvano silver									
(16)	997 613 722 01	switch seat adjuster memory switch	/R	1	I378/438/538						
	V05	galvano silver									
17	997 613 713 00	switch	/L	1	I369/375						
(17)	997 613 714 00	switch seat adjuster manually adjustable	/R	1	I370/376						
18	997 521 631 01	control button		1	I369/370/375						
	V05	galvano silver			I376/377/378 I437/438						
19	997 521 633 02	control button		1	I377/378/437						
	V05	galvano silver			I438						

Model	Year	MG	SG	Illustration	Restrictions	Update	7:54	25.08.2006	PORSCHE	PET	PORSCHE
987	07	8	17	817-15		203					

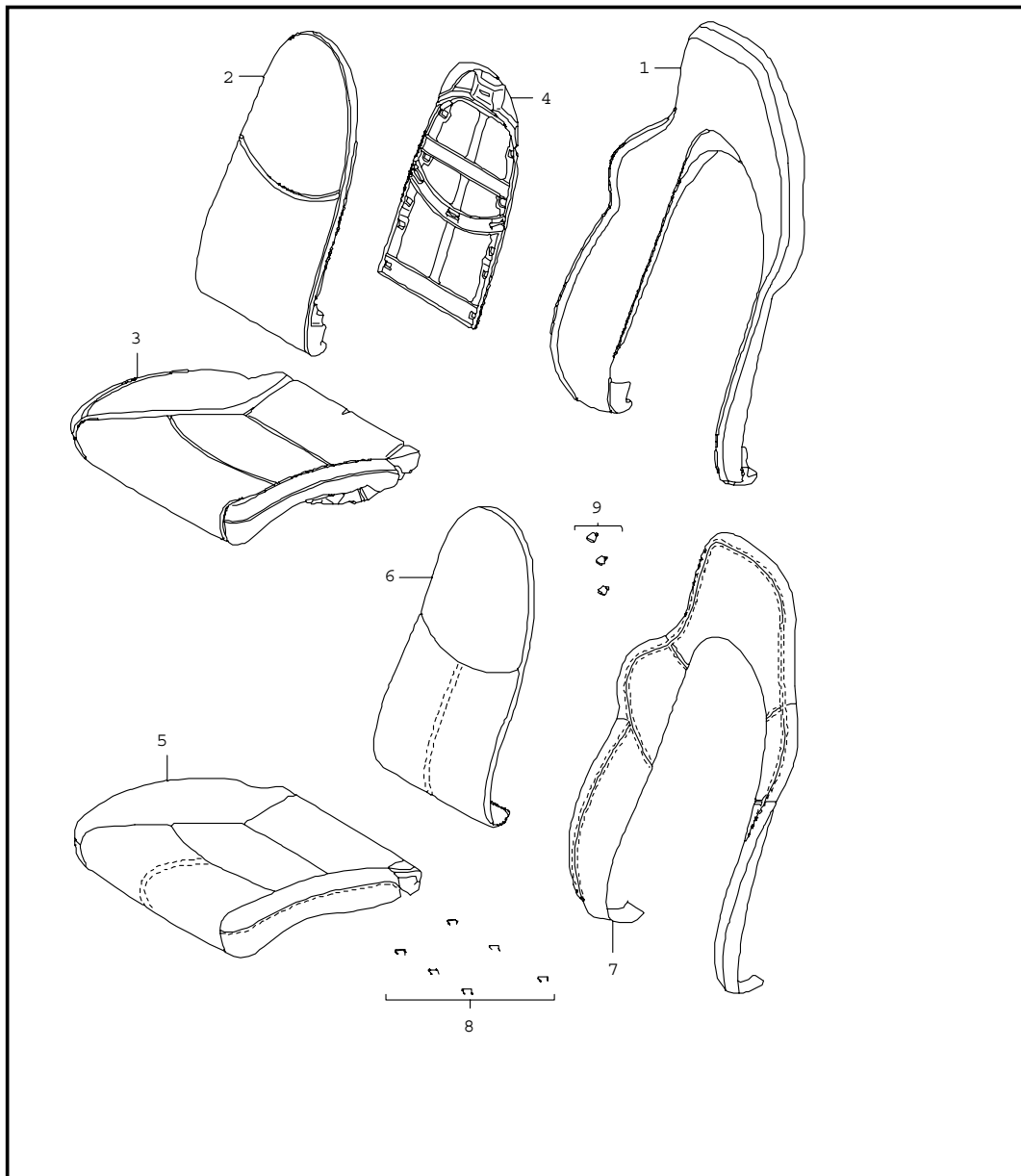


Pos	Part Number	Name	Remarks	Qty	Model
		front seat sports seat complete not available	05- 05-		BOXSTER BOXSTER S
1	997 521 315 02	trim mounting component	/L	1	I375/377
	D07	volcano grey			
(1)	997 521 316 02	trim mounting component	/R	1	I376/378
	D07	volcano grey			
(1)	997 521 316 03	trim mounting component advancedairbag	/R 06-	1	I370/376 I378/438/560
	D07	volcano grey			
2	997 521 359 01	rail seat rail	/L	1	I369/375
	01C	satin black			
(2)	997 521 360 01	rail seat rail	/R	1	I370/376
	01C	satin black			
(2)	997 521 361 00	rail	/L	1	I370/376 I377/378
	01C	satin black			
(2)	997 521 362 00	rail	/R	1	I375/377/378
	01C	satin black			
3	987 521 181 00	set of fastening parts guide belt complete	/L 05-	1	I375/377
	8YR	black			
	5X5	stone grey			
	8G1	sand beige			
	3S8	sea blue			
	4P1	palmgreen			
	9N2	terracotta			
	9Q3	cocoa			

Model	Year	MG	SG	Illustration	Restrictions	Update					
987	07	8	17	817-15		203	7:54	25.08.2006	PORSCHE	PET	PORSCHE

Pos	Part Number	Name	Remarks	Qty	Model	Pos	Part Number	Name	Remarks	Qty	Model
		D11 dark grey/natural									
		T11 brown/natural									
(3)	987 521 182 00	set of fastening parts guide belt complete	/R 05-	1	I376/378						
		8YR black									
		5X5 stone grey									
		8G1 sand beige									
		3S8 sea blue									
		4P1 palmgreen									
		9N2 terracotta									
		9Q3 cocoa									
		D11 dark grey/natural									
		T11 brown/natural									
		- - - E N D - - -									

Model	Year	MG	SG	Illustration	Restrictions	Update	7:54	25.08.2006	PORSCHE	PET	PORSCHE
987	07	8	17	817-17		203					

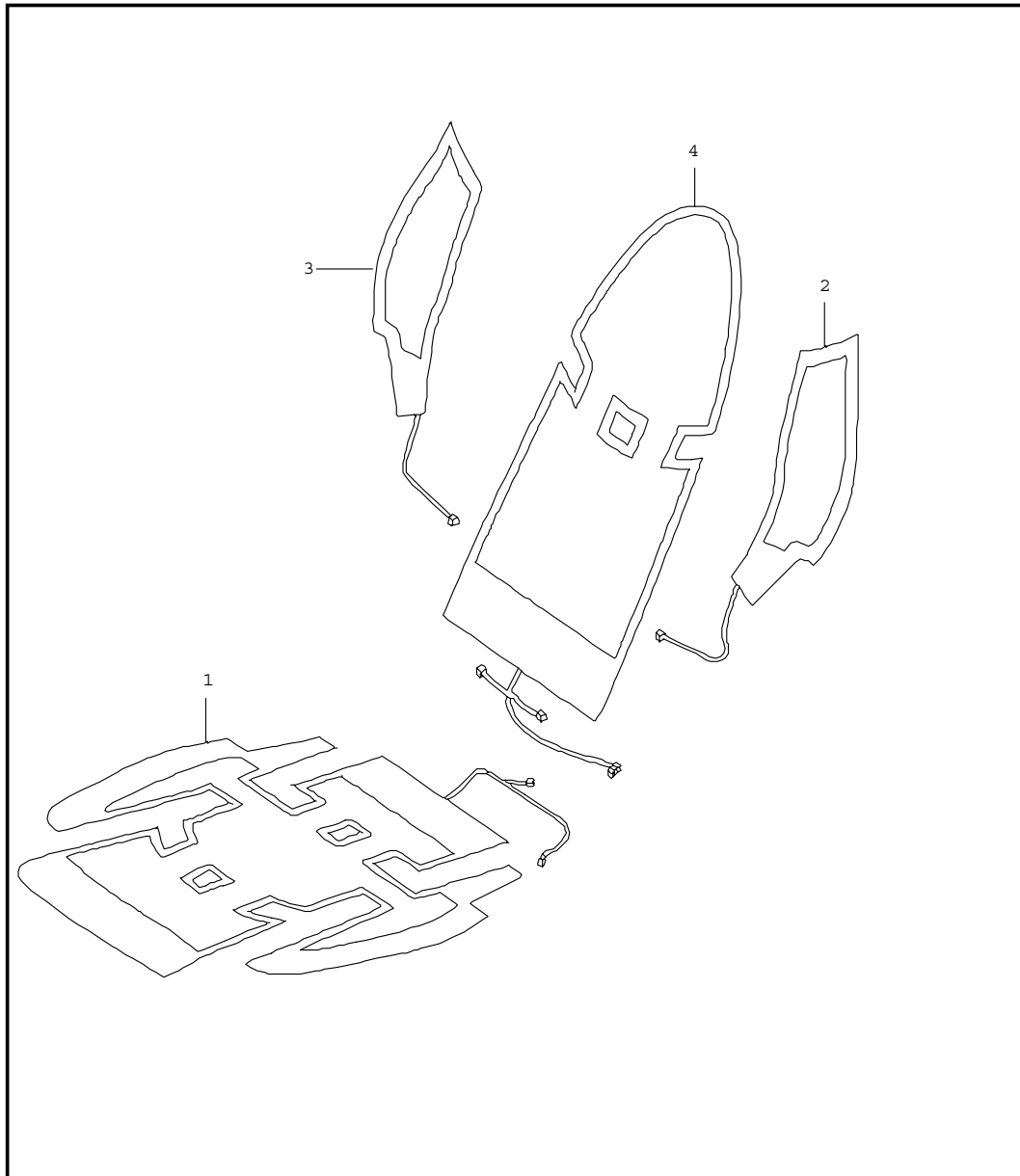


Pos	Part Number	Name	Remarks	Qty	Model
		foam part cover sports seat	05- 05-		BOXSTER BOXSTER S
1	997 521 535 01	foam part backrest outer		2	I375/376
2	997 521 581 00	foam part backrest centre		2	I375/376 I377/378
3	997 521 571 01	foam part seat cushion		2	I375/376
(3)	997 521 571 02	foam part seat cushion		2	I377/378
(3)	997 521 571 04	foam part seat cushion advancedairbag	06-	2	I376/560
(3)	997 521 571 05	foam part seat cushion advancedairbag	06-	2	I378/560
4	997 521 551 00	cushion carrier backrest		2	I375/376 I377/378
5	997 521 161 03	cover for cushion		2	I375/376/983
		FLC black			
		FLF stone grey			
		FLJ sand beige			
		FLM sea blue			
		FLP palmgreen			
		FLQ terracotta			
		FLR cocoa			
		BCA black/stone grey			
		VAA dark grey/natural			
		VAB brown/natural			
(5)	997 521 161 06	cover for cushion		2	I377/378/983
		FLC black			
		FLF stone grey			
		FLJ sand beige			

Model	Year	MG	SG	Illustration	Restrictions	Update	7:54	25.08.2006	PORSCHE	PET	PORSCHE
987	07	8	17	817-17		203					

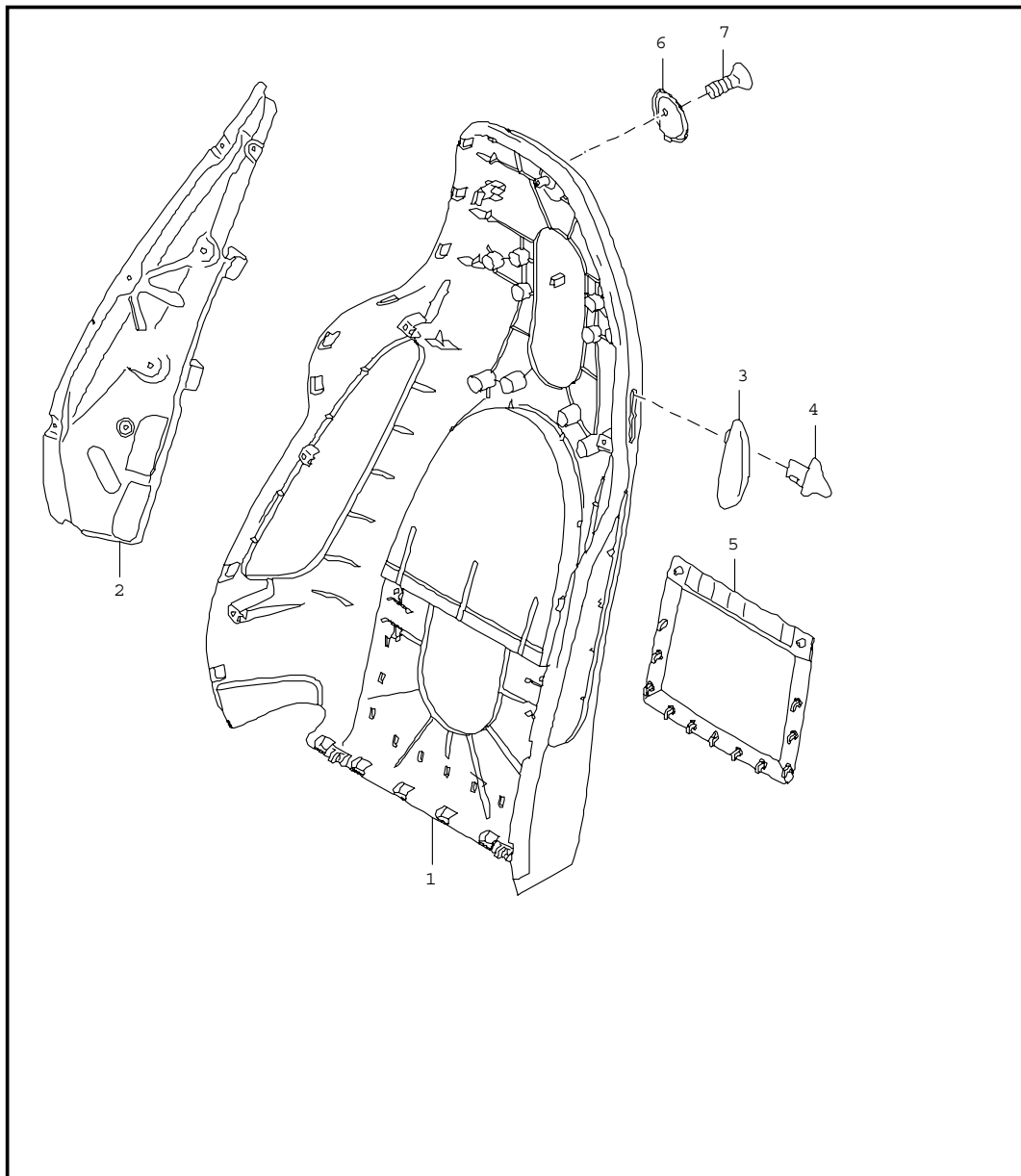
Pos	Part Number	Name	Remarks	Qty	Model	Pos	Part Number	Name	Remarks	Qty	Model
	FLM	sea blue					FLP	palmgreen			
	FLP	palmgreen					FLQ	terracotta			
	FLQ	terracotta					FLR	cocoa			
	FLR	cocoa					VAA	dark grey/natural			
	BCA	black/stone grey					VAB	brown/natural			
	VAA	dark grey/natural				(7)	997 521 941 02	backrest cover outer part	06-	1	IXSC/983
	VAB	brown/natural					8YR	black			
6	997 521 151 00	backrest cushion cover centre part		2	I369/370/437 I438/946		5X5	stone grey			
	A08	black					8G1	sand beige			
	5D6	stone grey					3S8	sea blue			
	T25	sand beige					4P1	palmgreen			
	3W7	sea blue					9N2	terracotta			
	4Q2	palmgreen					9Q3	cocoa			
(6)	997 521 151 00	backrest cushion cover centre part		1	I375/376 I377/378/983		D11	dark grey/natural			
	8YR	black					T11	brown/natural			
	5X5	stone grey				8	997 521 837 00	clip padding seat		6	I375/376 I377/378
	8G1	sand beige									
	3S8	sea blue				9	997 521 897 00	clip backrest cover		5	I375/376 I377/378
	4P1	palmgreen									
	9N2	terracotta									
	9Q3	cocoa									
	D11	dark grey/natural									
	T11	brown/natural									
(7)	997 521 155 01	backrest cover outer part		2	I375/376/377 I378/983						
	FLC	black									
	FLF	stone grey									
	FLJ	sand beige									
	FLM	sea blue									
								- - - E N D - - -			

Model	Year	MG	SG	Illustration	Restrictions	Update	7:54	25.08.2006	PORSCHE	PET	PORSCHE
987	07	8	17	817-18		203					



Pos	Part Number	Name	Remarks	Qty	Model
		heating	05- 05-		BOXSTER BOXSTER S
1	997 653 105 02	heating element seat cushion series seat comfort seat	/L/R	2	I342/369/370 I437/438
(1)	997 653 105 03	heating element seat cushion sports seat	/L/R	2	I342/375/376 I377/378
2	997 653 109 00	heating element backrest side part series seat comfort seat	/L	1	I342/369/370 I437/438
(2)	997 653 109 01	heating element backrest side part sports seat	/L	1	I342/375/376 I377/378
3	997 653 110 00	heating element backrest side part series seat comfort seat	/R	1	I342/369/370 I437/438
(3)	997 653 110 01	heating element backrest side part sports seat	/R	1	I342/375/376 I377/378
4	997 653 107 00	heating element backrest cushion	/L/R	2	I342
		- - - E N D - - -			

Model	Year	MG	SG	Illustration	Restrictions	Update	7:55	25.08.2006	PORSCHE	PET	PORSCHE
987	07	8	17	817-19		203					

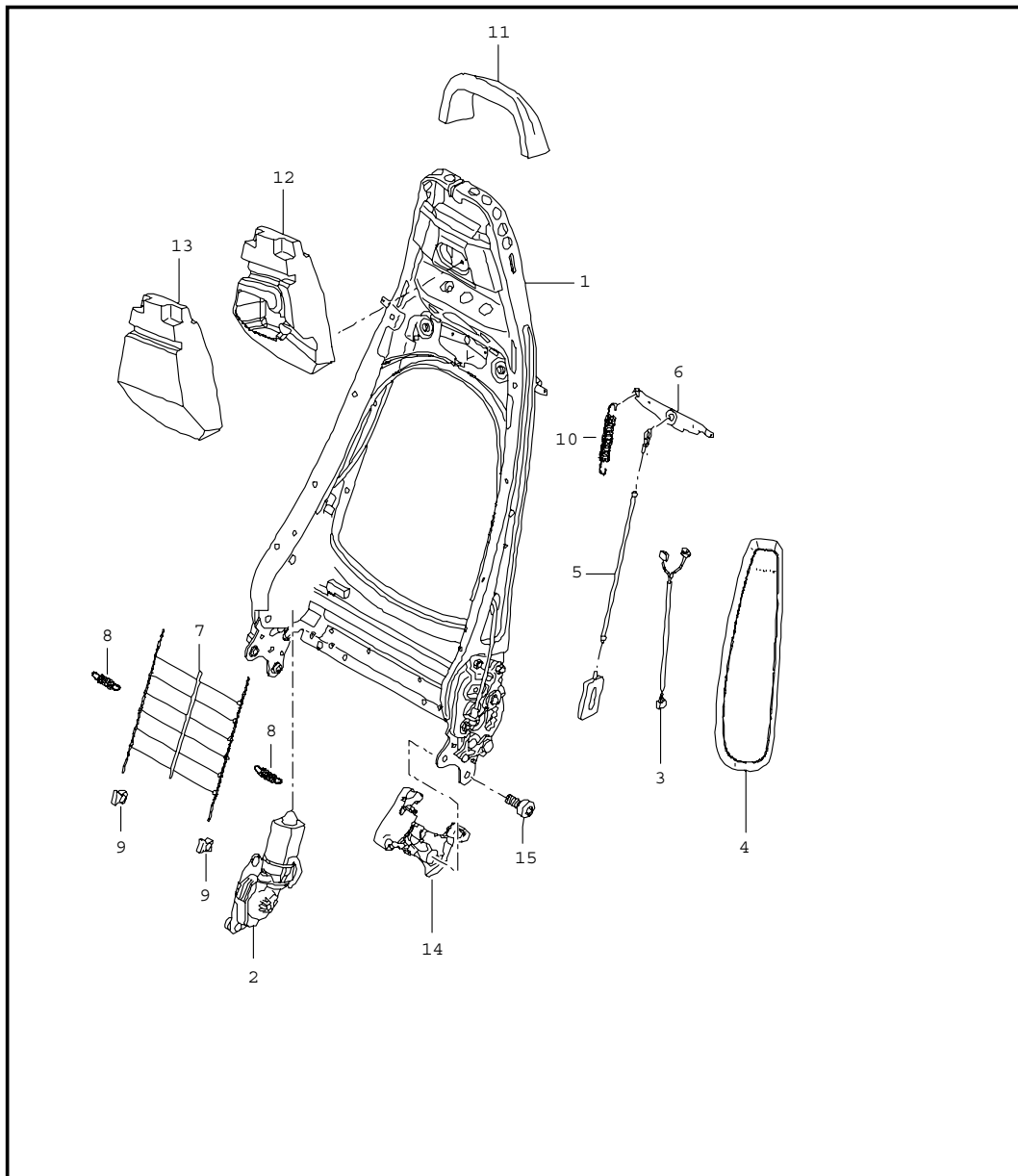


Pos	Part Number	Name	Remarks	Qty	Model
		backrest shell sports seat	05- 05-		BOXSTER BOXSTER S
(1)	987 521 303 03	backrest shell D07 volcano grey	/L 05	1	I375/377
(1)	987 521 304 03	backrest shell D07 volcano grey	/R 05	1	I376/378
(1)	987 521 303 05	backrest shell D07 volcano grey	/L 06-	1	I375/377
(1)	987 521 304 05	backrest shell D07 volcano grey	/R 06-	1	I376/378
(1)	987 521 981 00	backrest shell 041 black 84A guards red 12H speed yellow B9A carrara white 92U arctic silver metallic M3W carmon red metallic M5W lapis blue metallic M6W lagoon green metallic C9Z basalt black metallic M7X atlas grey metallic 39C midnight blue metallic 6B4 seal grey metallic 2B4 forest green metallic 3C8 cobalt blue metallic 23F slate grey metallic M6X dark olive-metallic M7Z gt silver metallic	/L 06-	1	IXSA/375/377
(1)	987 521 982 00	backrest shell 041 black	/R 06-	1	IXSA/376/378

Model	Year	MG	SG	Illustration	Restrictions	Update	7:55	25.08.2006	PORSCHE	PET	PORSCHE
987	07	8	17	817-19		203					

Pos	Part Number	Name	Remarks	Qty	Model	Pos	Part Number	Name	Remarks	Qty	Model
	84A	guards red					D07	volcano grey			
	12H	speed yellow				4	987 521 623 01	control button locking lever	/L	1	I375/377
	B9A	carrara white					V05	galvano silver			
	92U	arctic silver metallic				(4)	987 521 624 01	control button locking lever	/R	1	I376/378
	M3W	carmon red metallic					V05	galvano silver			
	M5W	lapis blue metallic				5	997 521 313 01	bag backrest shell black		1	I375/376/377 I378/983
	M6W	lagoon green metallic					5X5	stone grey			
	C9Z	basalt black metallic					8G1	sand beige			
	M7X	atlas grey metallic					3S8	sea blue			
	39C	midnight blue metallic					4P1	palmgreen			
	6B4	seal grey metallic					9N2	terracotta			
	2B4	forest green metallic					9Q3	cocoa			
	3C8	cobalt blue metallic					D11	dark grey/natural			
	23F	slate grey metallic					T11	brown/natural			
	M6X	dark olive-metallic				(6)	997 521 373 01	coat hook	05-	2	
	M7Z	gt silver metallic					D07	volcano grey			
(1)	987 521 981 01	backrest shell lacquered aluminium coloured	/L 06-	1	IXCG/375/377	7	999 919 199 09	countersunk-head screw coat hook 5,0 X 25-M		1	
	V04	galvano silver									
(1)	987 521 982 01	backrest shell lacquered aluminium coloured	/R 06-	1	IXCG/376/378						
	V04	galvano silver									
2	997 521 319 00	bracket	/L	1	I375/376 I377/378						
(2)	997 521 320 00	bracket backrest	/R	1	I375/376 I377/378						
3	997 521 621 03	rose locking lever	/L	1	I375/377						
	D07	volcano grey									
(3)	997 521 622 03	rose locking lever	/R	1	I376/378						
								- - - E N D - - -			

Model	Year	MG	SG	Illustration	Restrictions	Update	7:55	25.08.2006	PORSCHE	PET	PORSCHE
987	07	8	17	817-21		203					

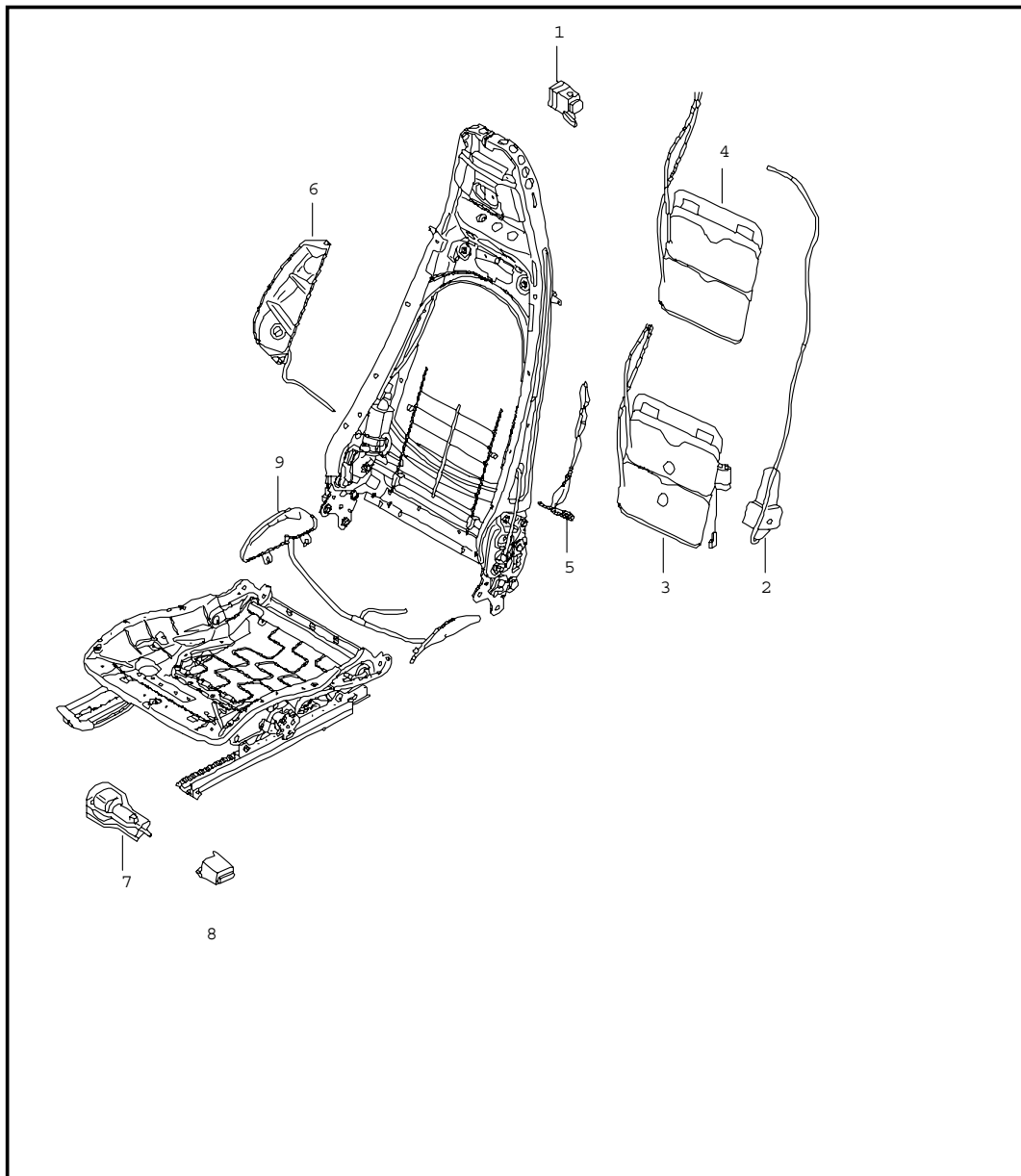


Pos	Part Number	Name	Remarks	Qty	Model
		backrest frame sports seat	05-05-		BOXSTER BOXSTER S
1	997 521 329 00	backrest frame without memory	/L/R	2	I375/376 I377/378
(1)	997 521 329 01	backrest frame with memory	/L/R	2	I537/538
2	997 624 331 00	electric motor backrest frame memory	/L/R	1	I537/538
(2)	997 624 321 00	electric motor backrest frame without memory	/L/R	1	I375/376 I377/378
3	997 612 785 01	wiring harness	/L	1	I537
(3)	997 612 786 01	wiring harness side airbag	/R	1	I538
4	997 803 081 01	side airbag	/L	1	I375/377
		D07 volcano grey			
(4)	997 803 082 01	side airbag	/R	1	I376/378
		D07 volcano grey			
5	997 521 485 00	bowden cable backrest frame		2	
6	997 521 375 00	release backrest frame		1	
7	997 521 855 00	grille backrest frame		1	
8	997 521 893 00	tension spring inner spring		2	
9	997 521 895 00	clip inner spring		2	
10	997 521 797 00	tension spring release backrest		1	
11	997 521 885 00	foam part head rest upper		1	I375/376 I377/378

Model	Year	MG	SG	Illustration	Restrictions	Update					
987	07	8	17	817-21		203	7:55	25.08.2006	PORSCHE	PET	PORSCHE

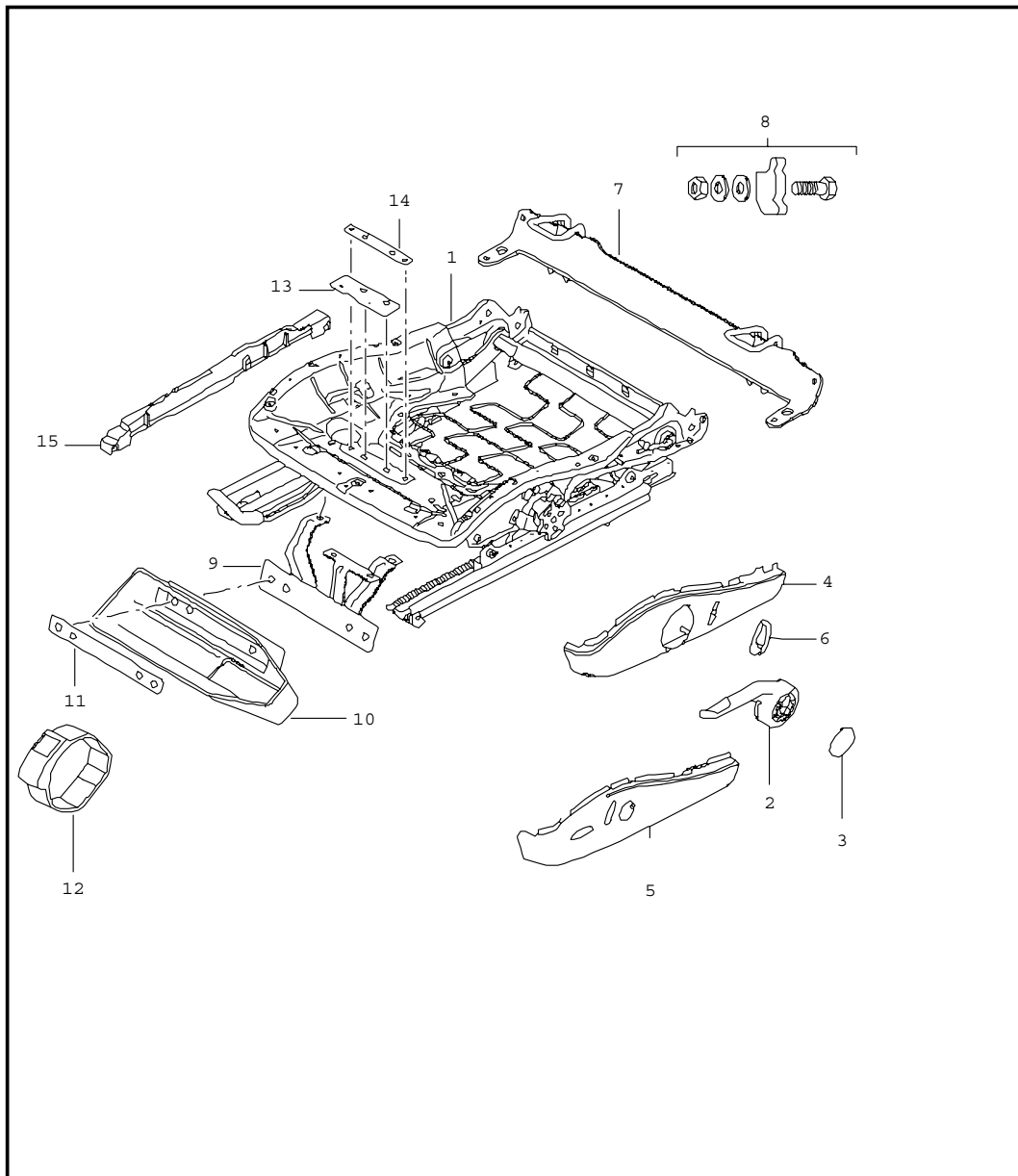
Pos	Part Number	Name	Remarks	Qty	Model	Pos	Part Number	Name	Remarks	Qty	Model
12	997 521 887 01	foam part head rest centre electric		1	I377/378						
13	997 521 887 00	foam part head rest centre		1	I375/376						
14	997 521 335 01	cover	/L	1							
	D07	volcano grey									
(14)	997 521 336 01	cover mounting component inner	/R	1							
	D07	volcano grey									
15	999 073 375 09	screw M10 x 13 mount backrest seat adjuster		4							
		- - - E N D - - -									

Model	Year	MG	SG	Illustration	Restrictions	Update	7:55	25.08.2006	PORSCHE	PET	PORSCHE
987	07	8	17	817-22		203					



Pos	Part Number	Name	Remarks	Qty	Model
		lumbar support sports seat	05-05-		BOXSTER BOXSTER S
1	997 617 725 00	valve lumbar support without memory		1	I377/378 I437/438
(1)	997 617 726 00	valve lumbar support memory		1	I537/538
2	997 620 725 00	compressor lumbar		1	I377/378 I437/438
3	997 521 709 01	lumbar support memory		1	I377/378/437 I438/537/538
4	997 521 709 00	lumbar support without memory		1	I377/378 I437/438
5	997 521 711 00	container air distributor backrest side part		1	I377/378
6	997 521 712 00	container air distributor backrest side part		1	I377/378
7	997 620 727 00	compressor lumbar support seat cushion		1	I377/378
8	997 617 727 00	valve adjustment seat wide		1	I377/378
9	997 521 713 01	container air distributor cushion		1	I377/378
		- - - E N D - - -			

Model	Year	MG	SG	Illustration	Restrictions	Update	7:55	25.08.2006	PORSCHE	PET	PORSCHE
987	07	8	17	817-23		203					

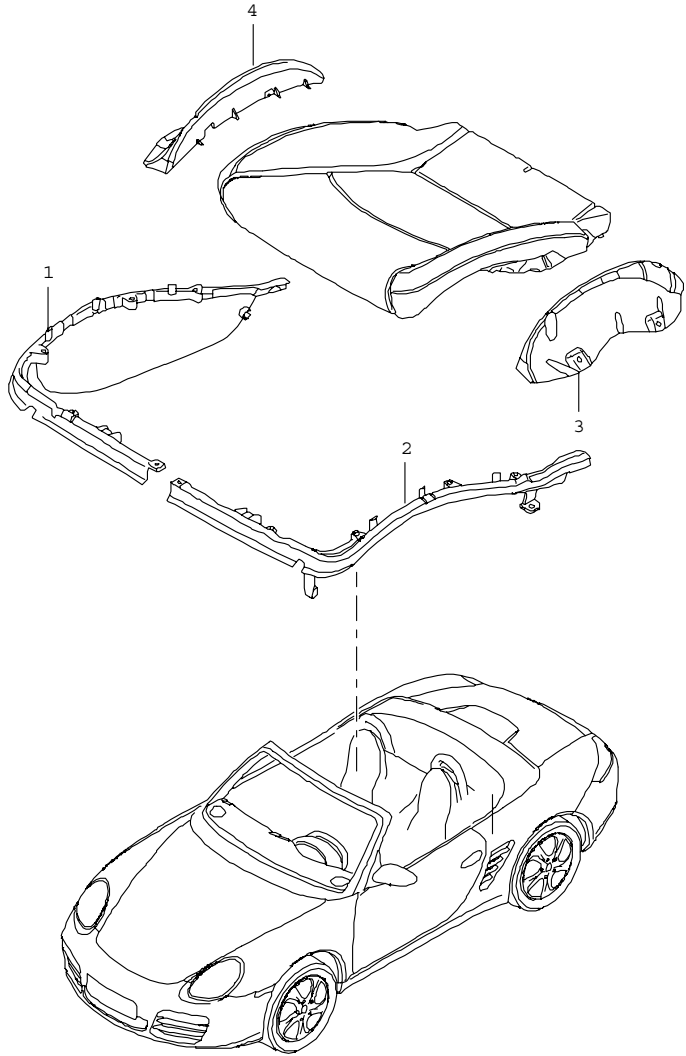


Pos	Part Number	Name	Remarks	Qty	Model
1	997 521 201 00	seat adjuster sports seat	05- 05-	1	BOXSTER BOXSTER S
(1)	997 521 202 00	seat adjuster height adjustment manual left-hand drive driver's side	/L	1	I098/369/375
(1)	997 521 202 00	seat adjuster height adjustment manual right-hand drive driver's side	/R	1	I099/370/376
(1)	997 521 201 04	seat adjuster	/L	1	I377/437
(1)	997 521 202 10	seat adjuster electric without memory	/R	1	I378/438
(1)	997 521 201 05	seat adjuster	/L	1	I377/437/537
(1)	997 521 202 10	seat adjuster electric memory	/R	1	I378/438/538
(1)	997 521 201 03	seat adjuster manual right-hand drive passenger's side	/L	1	I099/369/375
(1)	997 521 202 06	seat adjuster manual seat occupancy detection	/R 06-	1	I370/376/560
(1)	997 521 202 12	seat adjuster electric seat occupancy detection	/R 06-	1	I378/438/560
(1)	997 521 202 05	seat adjuster manual left-hand drive passenger's side	/R 05-	1	I098/370/376
2	997 521 627 01	actuating lever height adjustment	/L	1	I369/375
		V05 galvano silver			
(2)	997 521 628 01	actuating lever height adjustment	/R	1	I370/376
		V05 galvano silver			
3	997 521 629 01	cap actuating lever	/L/R	2	I369/370 I375/376

Model	Year	MG	SG	Illustration	Restrictions	Update	7:55	25.08.2006	PORSCHE	PET	PORSCHE
987	07	8	17	817-23		203					

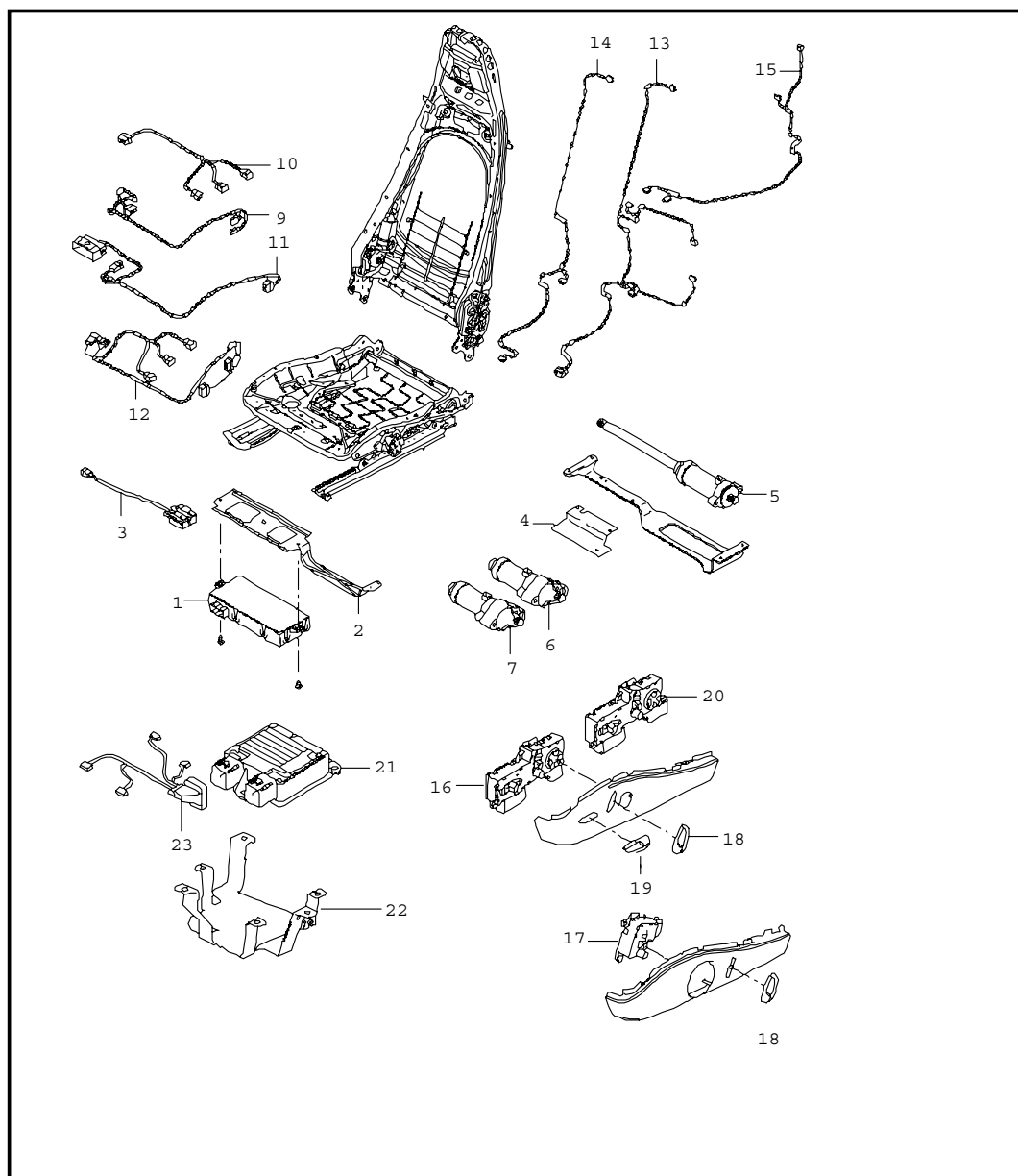
Pos	Part Number	Name	Remarks	Qty	Model	Pos	Part Number	Name	Remarks	Qty	Model
	D07	volcano grey				12	997 521 851 00	restraining strap fire extinguisher		1	I509
4	997 521 325 06	trim for switch	/L	1	I369/375	13	997 521 841 00	reinforcement front		1	I509
	D07	volcano grey without advancedairbag				14	997 521 843 00	reinforcement rear		1	I509
(4)	997 521 326 06	trim for switch	/R	1	I370/376	15	997 521 426 01	cover sensor weight	/R 06-	1	I376/378/560
	D07	volcano grey without advancedairbag					01C	satin black			
5	997 521 325 08	trim for switch	/L	1	I377	(15)	997 521 427 01	cover sensor weight	/L 06-	1	I376/378/560
	D07	volcano grey					01C	satin black			
(5)	997 521 326 08	trim for switch	/R	1	I378	16	999 141 047 01	torx screw mount seat rail		4	
	D07	volcano grey									
(5)	997 521 326 09	trim for switch advancedairbag	/R 06-	1	I370/376/560						
	D07	volcano grey									
(5)	997 521 326 11	trim for switch advancedairbag	/R 06-	1	I378/560						
	D07	volcano grey									
6	997 521 631 01	control button backrest		1	I375/376 I377/378						
	V05	galvano silver									
7	997 521 061 01	retaining bow child car seat ISOFIX not for AUSTRALIEN		1							
8	997 521 961 01	set of fastening parts retaining bow		1							
9	997 521 251 00	support fire extinguisher		1	I098/509						
(9)	997 521 252 00	support fire extinguisher		1	I099/509						
10	997 521 607 00	cup fire extinguisher		1	I509						
11	997 521 881 00	support cup fire extinguisher		1	I509						

Model	Year	MG	SG	Illustration	Restrictions	Update	7:56	25.08.2006	PORSCHE	PET	PORSCHE
987	07	8	17	817-24		203					



Pos	Part Number	Name	Remarks	Qty	Model
		cushion carrier frame seat surface sports seat	05- 05-		BOXSTER BOXSTER S
1	997 521 547 00	frame	/L	1	I376/378
(1)	997 521 548 00	frame inner	/R	1	I375/377
(2)	997 521 545 00	frame	/L	1	I375/377
2	997 521 546 00	frame outer	/R	1	I376/378
3	997 521 519 00	supporting plate seat cushion	/L	1	I377/378
4	997 521 520 00	supporting plate seat cushion	/R	1	I377/378
-	997 521 546 01	frame outer with advancedairbag	/R 06-	1	I376/378/560
- - - E N D - - -					

Model	Year	MG	SG	Illustration	Restrictions	Update	7:56	25.08.2006	PORSCHE	PET	PORSCHE
987	07	8	17	817-25		203					



Pos	Part Number	Name	Remarks	Qty	Model
		harnesses control unit switch sports seat	05- 05-		BOXSTER BOXSTER S
1	997 618 537 07	control unit seating position control		1	I537/538
2	997 521 643 00	support control unit seating position control		1	I377/378/437 I438/537/538
3	997 613 725 00	switch V05 galvano silver		1	I377
(3)	997 613 726 00	switch V05 galvano silver		1	I378
4	997 521 343 00	support electric motor		1	I377/378
5	997 624 322 00	electric motor seat adjuster lengthways height adjustment without memory		1	I377/378 I437/438
(5)	997 624 332 00	electric motor seat adjuster lengthways height adjustment memory		1	I537/538
6	997 624 323 00	electric motor seat adjuster without memory tilt		1	I377/378 I437/438
7	997 624 333 00	electric motor seat adjuster with memory tilt		1	I537/538
9	997 612 684 00	wiring harness switch seat adjuster memory		1	I537/538
10	997 612 690 00	wiring harness height adjustment lengthways memory		1	I537/538

Model	Year	MG	SG	Illustration	Restrictions	Update					
987	07	8	17	817-25		203	7:56	25.08.2006	PORSCHE	PET	PORSCHE

Pos	Part Number	Name	Remarks	Qty	Model	Pos	Part Number	Name	Remarks	Qty	Model
11	997 612 682 01	wiring harness switch		1	I369/370 I375/376	20	997 613 717 01	switch seat adjuster without memory	/L	1	I377/437
12	997 612 691 01	wiring harness switch without memory		1	I377/378		V05	galvano silver			
13	997 612 689 00	wiring harness lumbar support without memory		1	I377/378	(20)	997 613 718 01	switch seat adjuster without memory	/R	1	I378/438
14	997 612 692 00	wiring harness backrest lumbar with memory		1	I377/378 I537/538		V05	galvano silver			
15	997 612 685 01	wiring harness backrest without memory	/L	1	I369/375 I377/437	21	997 618 233 05	control unit seat occupancy detection	06-	1	I370/376/378 I438/560
(15)	997 612 686 01	wiring harness backrest without memory	/R	1	I370/376 I378/438	22	997 521 646 00	support control unit seat occupancy detection	06-	1	I370/376/378 I438/560
16	997 613 721 01	switch seat adjuster memory switch	/L	1	I377/437/537	23	997 612 688 00	wiring harness seat occupancy detection	06-	1	I370/376/378 I438/560
	V05	galvano silver						- - - E N D - - -			
(16)	997 613 722 01	switch seat adjuster memory switch	/R	1	I378/438/538						
	V05	galvano silver									
17	997 613 713 00	switch	/L	1	I369/375						
(17)	997 613 714 00	switch manually adjustable	/R	1	I370/376						
18	997 521 631 01	control button backrest		1	I375/376 I377/378						
	V05	galvano silver									
19	997 521 633 02	control button seat cushion		1	I377/378 I437/438						
	V05	galvano silver									

PORSCHE

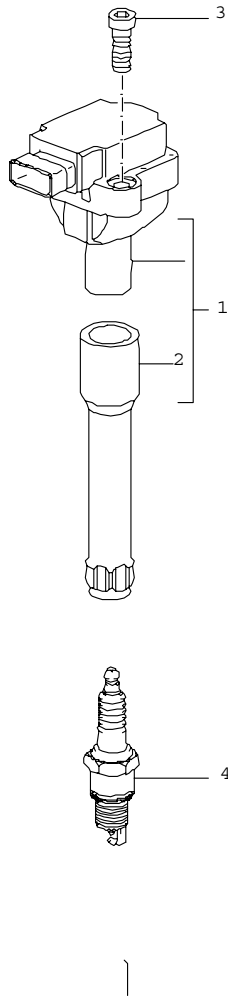
PET

PORSCHE

Model	Year	MG	SG	Illustration	Restrictions	Update		
987	07	8	98	898-00		203	7:56	25.08.2006

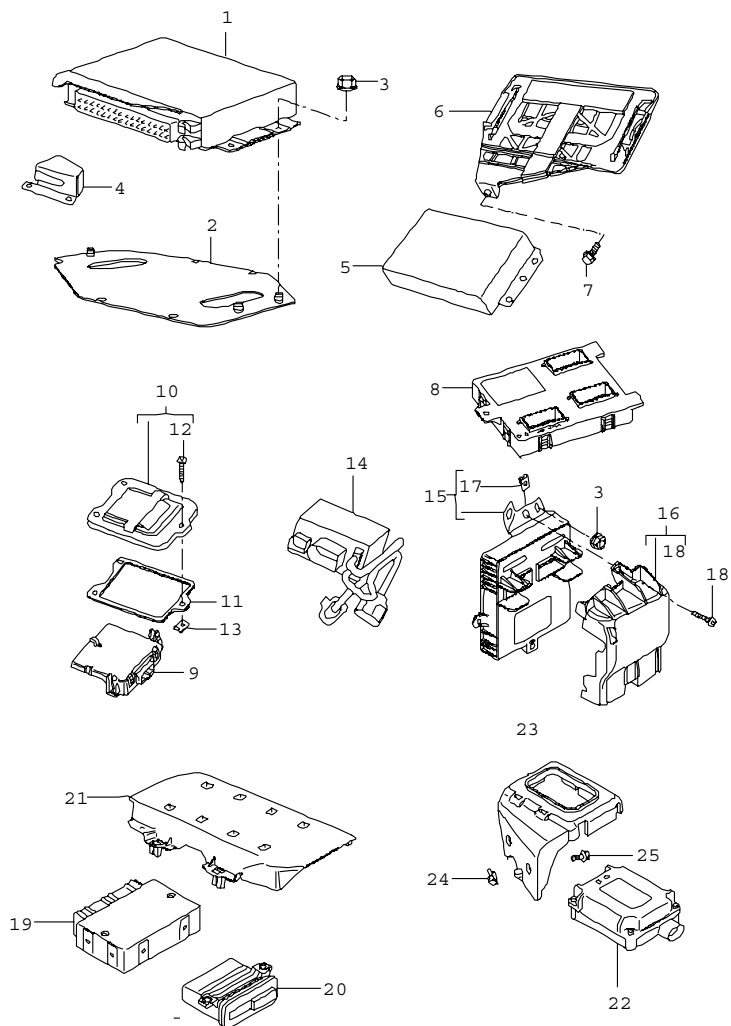
Pos	Part Number	Name	Remarks	Qty	Model
		repair kits			
		set of locks			
>>	> 997 538 011 00	set of locks		1	I 098
>>	> 997 538 011 01	set of locks		1	I 099
		- - - E N D - - -			

Model	Year	MG	SG	Illustration	Restrictions	Update	7:56	25.08.2006	PORSCHE	PET	PORSCHE
987	07	9	01	901-00		203					



Pos	Part Number	Name	Remarks	Qty	Model
		ignition system			
1	996 602 104 00	ignition coil		6	
2	996 602 105 00	spark plug socket		6	
3	900 387 008 09	torx screw M 6 X 25		12	
4	999 170 223 90	spark plug FGR 5KQE0		6	M 96.25/26 M 97.20/21
		- - - E N D - - -			

Model	Year	MG	SG	Illustration	Restrictions	Update	7:56	25.08.2006	PORSCHE	PET	PORSCHE
987	07	9	01	901-03		203					

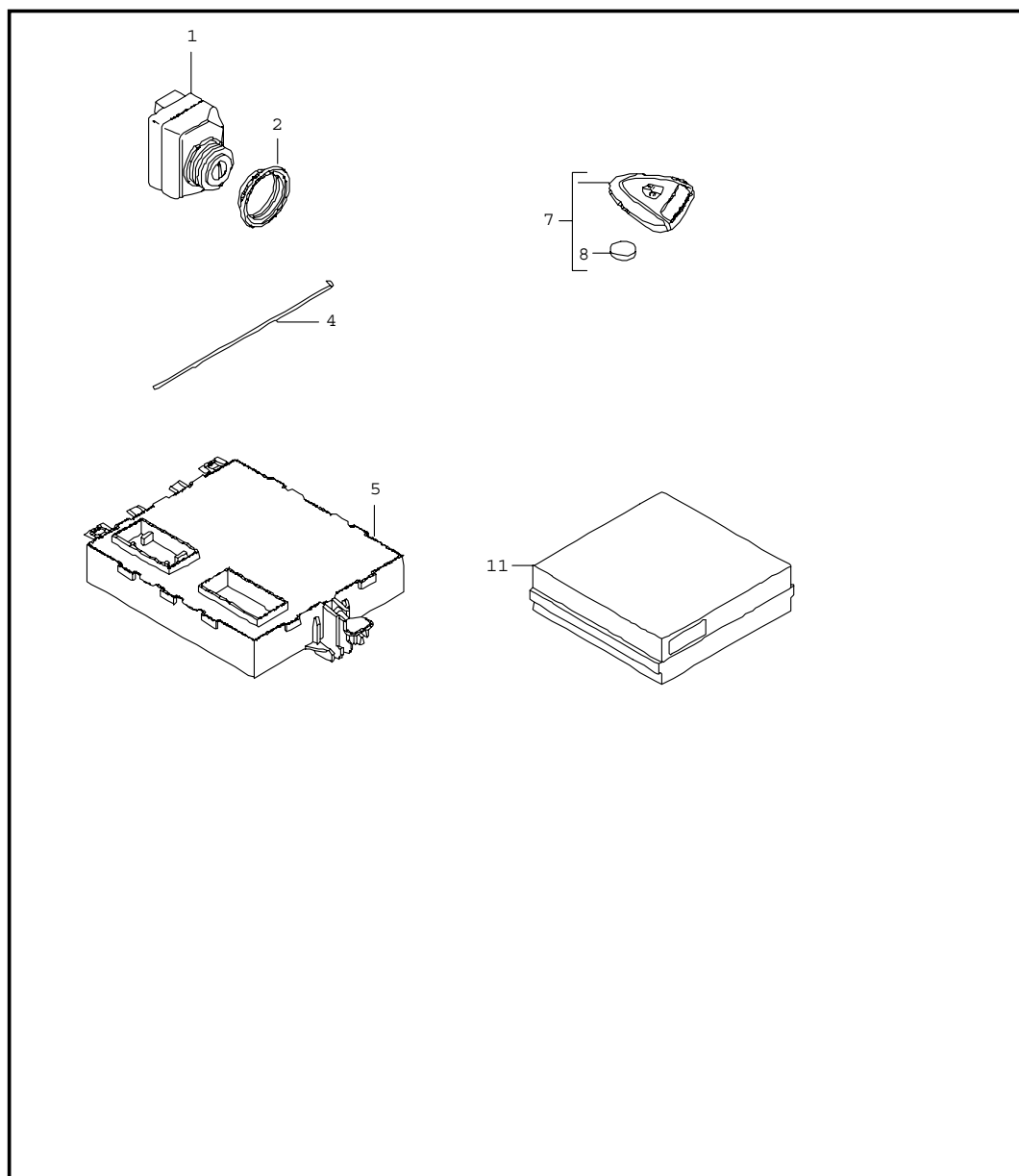


Pos	Part Number	Name	Remarks	Qty	Model
		control units			
1	997 618 603 01	control unit - dme -	05	1	
1 A	997 618 603 02	control unit - dme -	-06	1	
1 P	997 618 603 03	control unit - dme -	-06	1	
1 N	997 618 601 03	control unit - dme -	07	1	
1 P	997 618 603 03	control unit - dme -	07	1	I660
2	987 618 029 00	support	-06	1	
3	900 377 010 09	hexagon nut M 6	-06	3	
(3)	999 084 635 02	shear-off nut M 6 - SB		5	I536
(3)	999 084 629 09	hexagon nut M 6		X	
4	986 618 131 00	tab washer plug-protection	-06	1	
(4) P	987 618 131 00	tab washer plug-protection	07	1	
5	987 618 270 02	control unit tiptronic	-06	1	BOXSTER
5 N	987 618 272 07	control unit tiptronic	07	1	BOXSTER
(5)	987 618 320 02	control unit tiptronic	-06	1	BOXSTER S
(5) P	987 618 342 07	control unit tiptronic	07	1	BOXSTER S
6 P	987 618 155 02	support vehicle electrical system	07	1	I249
7 P	900 378 035 09	hexagon-head bolt M 6 X 16 vehicle electrical system	07	1	I249
8 A	997 610 102 04	control unit vehicle electrical system	05	1	
8	997 610 102 05	control unit vehicle electrical system	05	1	

Model	Year	MG	SG	Illustration	Restrictions	Update	7:56	25.08.2006	PORSCHE	PET	PORSCHE
987	07	9	01	901-03		203					

Pos	Part Number	Name	Remarks	Qty	Model	Pos	Part Number	Name	Remarks	Qty	Model
8	997 610 102 06	control unit vehicle electrical system	06-	1		19	997 618 260 06	control unit rear end	06-	1	
9	A 997 610 108 01	control unit gateway	05	1		20	996 618 171 03	control unit park distance control		1	I635
9	997 610 107 03	control unit gateway		1		21	997 618 371 01	support		1	
10	997 572 419 01	cover	05	1				sensor see group 8/02/05			I635
10	997 572 419 02	cover	06-	1		22	997 618 225 01	control unit garage door opener	05	1	I608
11	997 572 221 00	gasket		1		22	P 997 618 225 02	control unit garage door opener	06-	1	I608
12	900 143 094 09	tapping screw ST 4,8 X 19		3		22	997 618 227 00	control unit garage door opener	05	1	I607
13	999 591 855 02	speed nut ST 4,8		3		22	997 618 227 01	control unit garage door opener	06-	1	I607
14	997 618 436 00	control unit cooling air control	05	1		23	997 618 257 00	support		1	
14	997 618 436 01	control unit cooling air control	06-	1		24	999 591 882 02	speed nut M 6		2	
15	A 997 610 106 04	control unit front trunk	05	1		25	900 075 466 09	screw M 6 X 16		2	
15	997 610 106 05	control unit front trunk	05	1				- - - E N D - - -			
15	997 610 106 08	control unit front trunk	06	1							
15	P 997 610 106 11	control unit front trunk	07	1							
(15)	997 610 105 05	control unit front trunk	05	1	I601						
(15)	P 997 610 105 08	control unit front trunk	06	1	I601						
(15)	P 997 610 105 11	control unit front trunk	07	1	I601						
16	997 551 536 00	cover		1							
17	999 507 462 09	speed nut 4,8		1							
18	999 073 061 02	tapping screw 4,8 X 16		1							
19	997 618 260 04	control unit rear end	05	1							

Model	Year	MG	SG	Illustration	Restrictions	Update	7:57	25.08.2006	PORSCHE	PET	PORSCHE
987	07	9	01	901-04		203					



Pos	Part Number	Name	Remarks	Qty	Model
		control units anti-drive-off feature central locking system ignition starter switch PORSCHE ACCESS SYSTEM			
1	997 618 159 03	control unit ignition starter switch		1	
2	997 618 759 00	nut		1	
-	997 618 361 00	cover release remote control		1	
4	997 618 761 00	emergency operation release ignition starter switch		1	
5 A	997 618 171 06	control unit PORSCHE ACCESS SYSTEM F >>985S7 00523 F >>985S7 20406 F >>985U7 02435 F >>985U7 22547		1	I524/534/544
5	997 618 171 09	control unit PORSCHE ACCESS SYSTEM F >>985S7 00523 F >>985S7 20406 F >>985U7 02435 F >>985U7 22547		1	I524/534/544
5	997 618 171 12	control unit PORSCHE ACCESS SYSTEM F 985S7 00524>> F 985S7 20407>> F 985U7 02436>> F 985U7 22548>> information available		1	I524/534/544
5 A	997 618 172 06	control unit PORSCHE ACCESS SYSTEM F >>985S7 10204 F >>985U7 12408 F >>985U7 31635 see technical information GR. 9 , NR. 6/05		1	I525/535/545
5 A	997 618 172 09	control unit PORSCHE ACCESS SYSTEM F >>985S7 10204 F >>985U7 12408 F >>985U7 31635 see technical information GR. 9 , NR. 6/05		1	I525/535/545

Model	Year	MG	SG	Illustration	Restrictions	Update	7:57	25.08.2006	PORSCHE	PET	PORSCHE
987	07	9	01	901-04		203					

Pos	Part Number	Name	Remarks	Qty	Model	Pos	Part Number	Name	Remarks	Qty	Model
5	997 618 172 12	control unit PORSCHE ACCESS SYSTEM F 985S7 10205>> F 985U7 12409>> F 985U7 31636>> information available		1	I525/535/545	-	997 612 050 50	cable antenna for POS. 5 F >>985S7 10204 F >>985U7 12408 F >>985U7 31635	/RL	1	I099/525/535 I545
5	997 618 173 06	control unit PORSCHE ACCESS SYSTEM F >>985S7 10204 F >>985U7 12408 F >>985U7 31635 see technical information GR. 9 , NR. 6/05		1	(J) I525/535 I545	-	997 612 051 01	cable antenna for POS. 5 F 985S7 00524>> F 985S7 20407>> F 985U7 02436>> F 985U7 22548>>	/LL	1	I098/524/534 I544
5	997 618 172 12	control unit PORSCHE ACCESS SYSTEM F 985S7 10205>> F 985U7 12409>> F 985U7 31636>> information available		1	(J) I525/535 I545	-	997 612 051 51	cable antenna for POS. 5 F 985S7 00524>> F 985S7 20407>> F 985U7 02436>> F 985U7 22548>>	/RL	1	I099/524/534 I544
-	997 612 051 00	cable antenna for POS. 5 F >>985S7 00523 F >>985S7 20406 F >>985U7 02435 F >>985U7 22547	/LL	1	I098/524/534 I544	-	997 612 050 01	cable antenna for POS. 5 F 985S7 10205>> F 985U7 12409>> F 985U7 31636>>	/LL	1	I098/525/535 I545
-	997 612 051 50	cable antenna for POS. 5 F >>985S7 00523 F >>985S7 20406 F >>985U7 02435 F >>985U7 22547	/RL	1	I099/524/534 I544	-	997 612 050 51	cable antenna for POS. 5 F 985S7 10205>> F 985U7 12409>> F 985U7 31636>>	/RL	1	I099/525/535 I545
-	997 612 050 00	cable antenna for POS. 5 F >>985S7 10204 F >>985U7 12408 F >>985U7 31635	/LL	1	I098/525/535 I545			information available when required order also:			

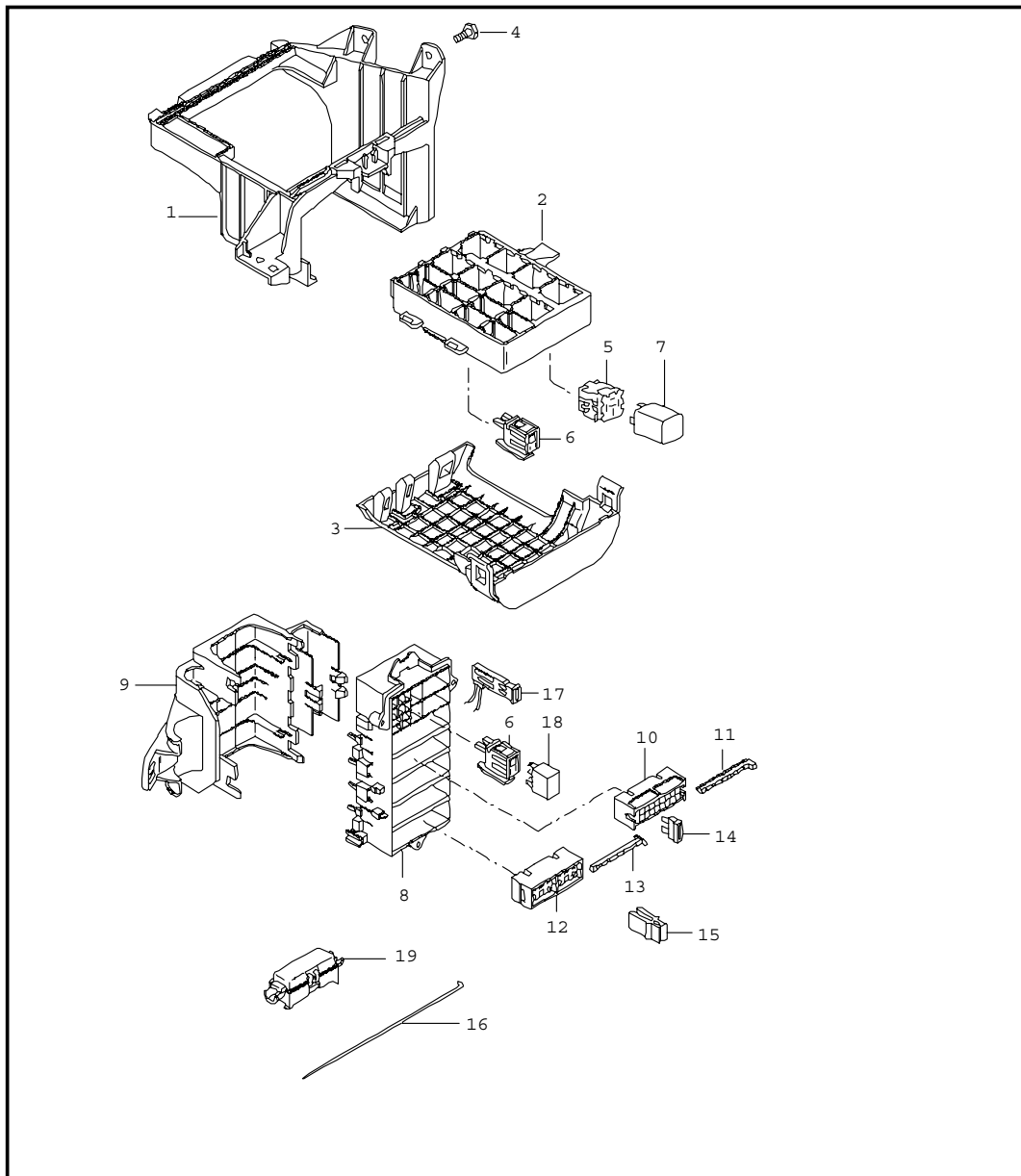
Model	Year	MG	SG	Illustration	Restrictions	Update	7:57	25.08.2006	PORSCHE	PET	PORSCHE
987	07	9	01	901-04		203					

Pos	Part Number	Name	Remarks	Qty	Model	Pos	Part Number	Name	Remarks	Qty	Model
-	987 637 253 00	support F 985S7 00524>> F 985S7 20407>> F 985U7 02436>> F 985U7 22548>> F 985S7 10205>> F 985U7 12409>> F 985U7 31636>>		1	I524/534/544 I524/534/544 I524/534/544 I524/534/544 I524/534/544 I525/535/545 I525/535/545 I525/535/545	-	997 612 054 00	connecting line antenna booster control unit POS. 5 F 985S7 00524>> F 985S7 20407>> F 985U7 02436>> F 985U7 22548>> information available	/RL	1	I099/534/665
-	999 073 225 09	tapping screw 4,8 X 16 F 985S7 00524>> F 985S7 20407>> F 985U7 02436>> F 985U7 22548>> F 985S7 10205>> F 985U7 12409>> F 985U7 31636>>		1	I524/534/544 I524/534/544 I524/534/544 I524/534/544 I524/534/544 I525/535/545 I525/535/545 I525/535/545	-	997 612 053 01	connecting line antenna booster control unit POS. 5	/LL	1	I098/535/665
-	928 612 636 01	protective tube F 985S7 00524>> F 985S7 20407>> F 985U7 02436>> F 985U7 22548>> F 985S7 10205>> F 985U7 12409>> F 985U7 31636>>		1	I524/534/544 I524/534/544 I524/534/544 I524/534/544 I524/534/544 I525/535/545 I525/535/545 I525/535/545	-	997 612 054 01	connecting line F 985S7 10205>> F 985U7 12409>> F 985U7 31636>> antenna booster control unit POS. 5 information available	/RL	1	I099/535/665
-	997 612 053 00	connecting line antenna booster control unit POS. 5	/LL	1	I098/665	7	997 637 244 13	remote control	05	1	I524/534/544
-	997 612 054 00	connecting line F >>985S7 00523 F >>985S7 20406 F >>985U7 02435 F >>985U7 22547 F >>985S7 10204 F >>985U7 12408 F >>985U7 31635 antenna booster control unit POS. 5 information available	/RL	1	I099/665	7	997 637 244 33	remote control information available	06	1	I524/534/544
-	997 612 053 00	connecting line antenna booster control unit POS. 5	/LL	1	I098/534/665	7 N	997 637 244 36	remote control	07	1	I524/534/544
						7	997 637 244 14	remote control	05	1	I525/535/545
						7	997 637 244 34	remote control information available	06	1	I525/535/545
						7 N	997 637 244 37	remote control	07	1	I525/535/545
						(7)	997 637 244 98	remote control	05	1	(J) I525/535 I545
						(7)	997 637 244 35	remote control	06	1	(J) I525/535 I545
						(7) N	997 637 244 38	remote control	07	1	(J) I525/535 I545
-	997 612 053 00	connecting line antenna booster control unit POS. 5 F 985S7 00524>> F 985S7 20407>> F 985U7 02436>> F 985U7 22548>>	/LL	1	I098/534/665	8	999 611 108 00	battery		1	
						11 A	997 618 210 00	sensor interior monitoring	05	1	
						11	997 618 210 01	sensor interior monitoring		1	

Model	Year	MG	SG	Illustration	Restrictions	Update					
987	07	9	01	901-04		203	7:57	25.08.2006	PORSCHE	PET	PORSCHE

Pos	Part Number	Name	Remarks	Qty	Model	Pos	Part Number	Name	Remarks	Qty	Model
		alarm siren tilt sensor see group 9/03/00 - - - E N D - - -			I536 I536						

Model	Year	MG	SG	Illustration	Restrictions	Update	7:57	25.08.2006	PORSCHE	PET	PORSCHE
987	07	9	02	902-00		203					

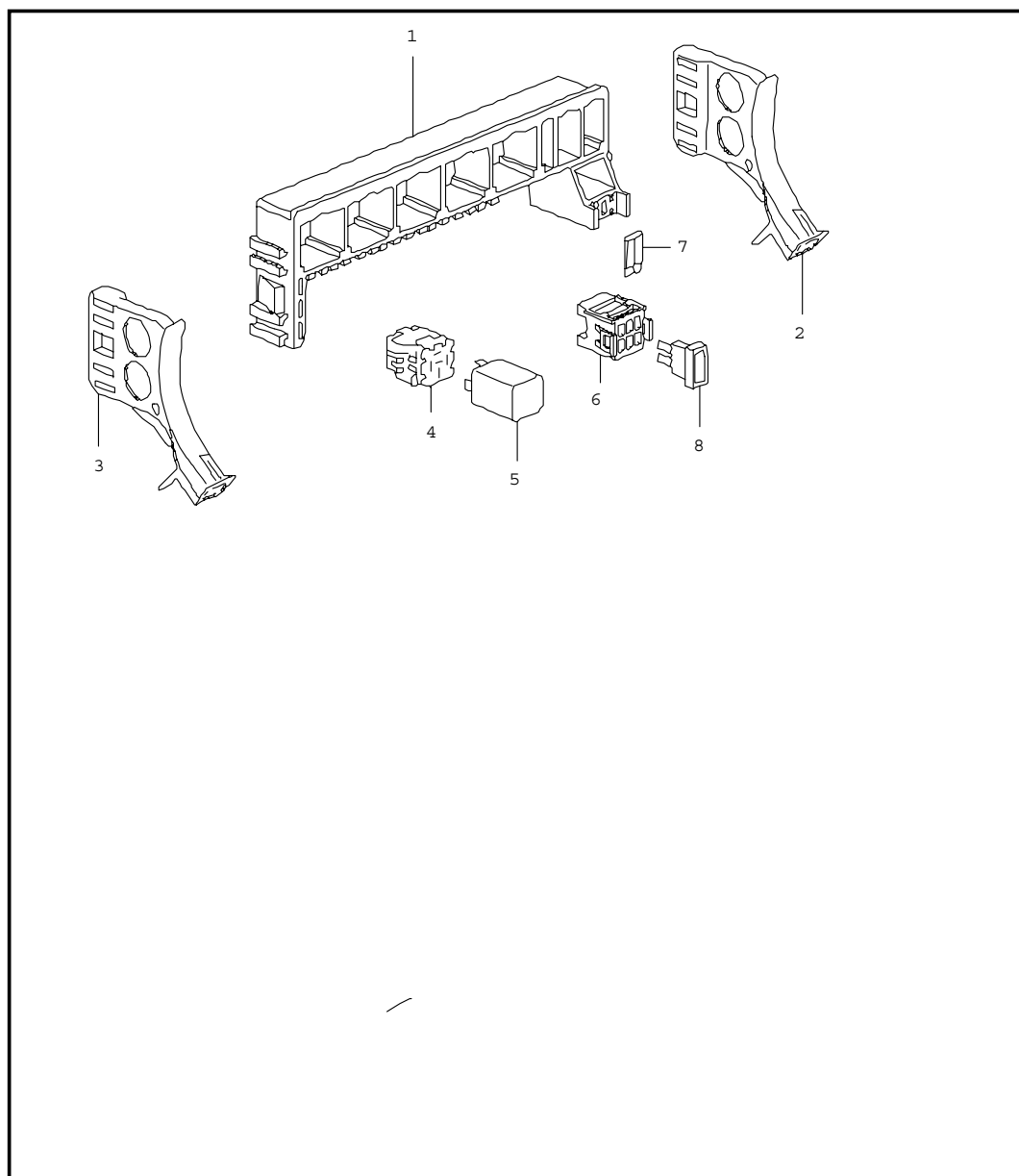


Pos	Part Number	Name	Remarks	Qty	Model
		central electrical system dashboard			
1	997 610 117 01	support	/LL	1	I098
(1)	997 610 118 00	support	/RL	1	I099
2	997 610 110 00	relay carrier support frame		1	
3	997 610 112 00	cover support frame		1	
4	900 378 155 09	hexagon-head bolt M 6 X 16 ASP		2	
(4)	900 377 010 09	hexagon nut M 6		1	
5	928 610 511 00	relay carrier		X	
6	999 650 538 40	relay carrier		X	
7	-	relay			
S 3	999 657 010 90	relay convertible top open		1	
S 4	999 657 010 90	relay KL. X		1	
S 5	999 657 010 90	relay convertible top close		1	
S 6	999 657 007 90	relay KL. 86S		1	
S 7	999 657 007 90	relay rear window heating		1	
S 8	999 657 007 90	relay fuel pump		1	
S 11	999 657 009 90	relay - dme -		1	
S 12	999 657 009 90	relay heating		1	
S 14	999 657 009 90	relay headlight washer system		1	I288
S 15	999 657 009 90	relay starter		1	

Model	Year	MG	SG	Illustration	Restrictions	Update	7:57	25.08.2006	PORSCHE	PET	PORSCHE
987	07	9	02	902-00		203					

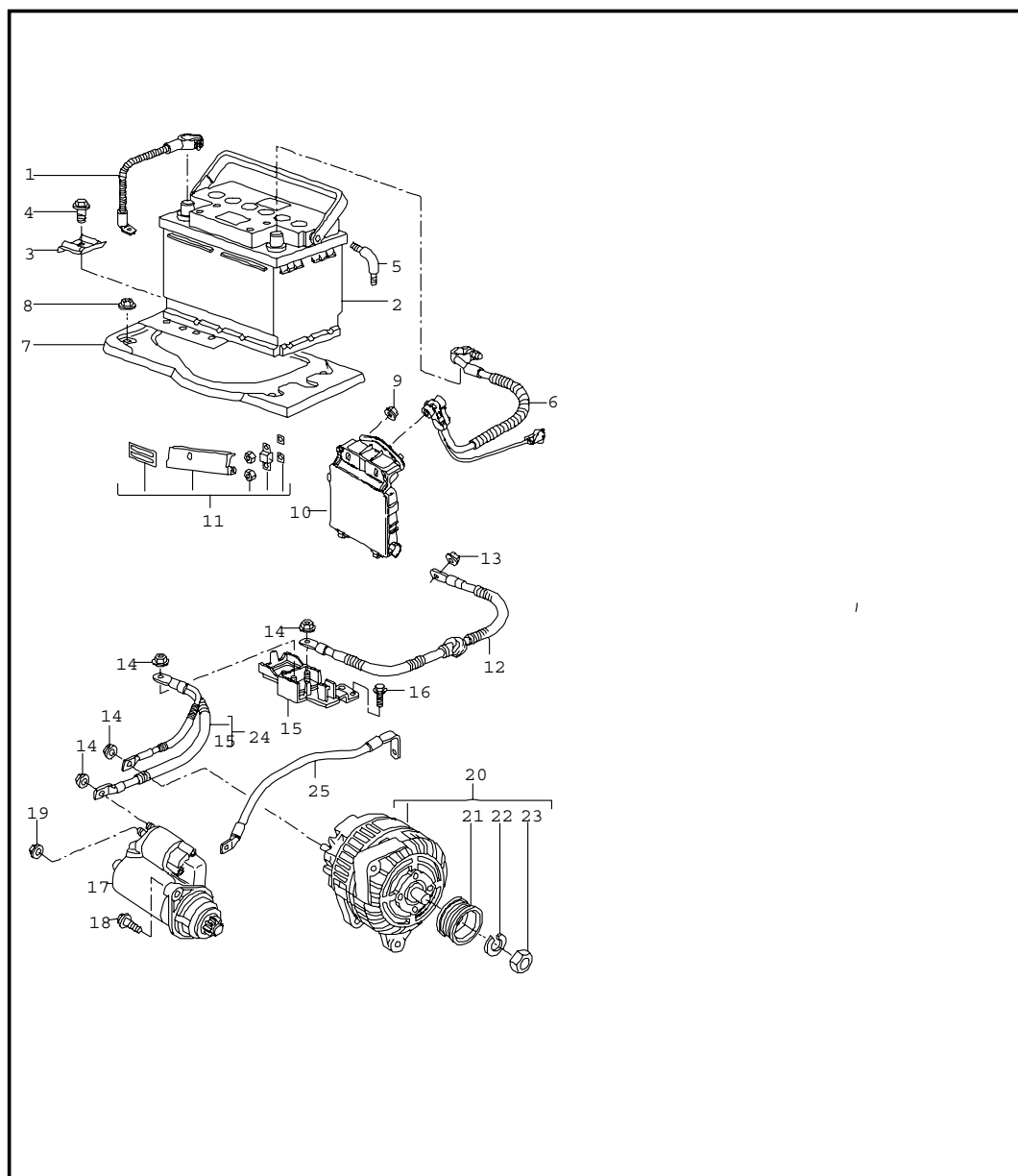
Pos	Part Number	Name	Remarks	Qty	Model	Pos	Part Number	Name	Remarks	Qty	Model
S 16	999 657 009 90	relay KL. 15		1		17	996 610 240 00	terminal clamp		1	
8	997 610 340 00	bracket		1		18	999 657 010 90	relay		1	
9	997 610 341 00	cover		1		19 U	999 650 026 99	fuse holder		1	
10	999 650 209 40	fuse holder		4		19	997 610 915 00	fuse holder with fuse 80 A for cooling air control		1	
11	999 650 210 40	slide		4		-	-	cover for housing fuse see group 8 / 07 / 02		X	
12	999 650 750 40	fuse holder		1				- - - E N D - - -			
13	999 650 749 40	slide		1							
14	999 607 082 00	fuse 5 A		X							
(14)	999 607 083 00	fuse 7 , 5 A		X							
(14)	999 607 084 00	fuse 10 A		X							
(14)	999 607 085 00	fuse 15 A		X							
(14)	999 607 087 00	fuse 25 A		X							
(14)	999 607 088 00	fuse 30 A		X							
(14)	999 607 072 00	fuse 30 A large		X							
(14)	999 607 073 00	fuse 40 A large		X							
15	999 107 300 40	tool		X							
- U	997 610 195 02	indication sticker fuse		X							
-	997 610 195 05	indication sticker fuse	-06	X							
- N	997 610 195 07	indication sticker fuse	07	X							
16	997 618 761 00	emergency operation release ignition starter switch emergency operation cover		1							

Model	Year	MG	SG	Illustration	Restrictions	Update	7:57	25.08.2006	PORSCHE	PET	PORSCHE
987	07	9	02	902-01		203					



Pos	Part Number	Name	Remarks	Qty	Model
		central electrical system rear end			
1	987 610 111 00	relay carrier support frame		1	
2	986 610 126 00	support	/R	1	
3	986 610 127 00	support	/L	1	
4	928 610 511 00	relay carrier large		X	
(4)	999 650 538 40	relay carrier small		X	
5	-	relay			
S 1	964 615 215 00	relay air conditioner		1	
S 2	999 657 008 90	relay secondary pump		1	I661
S 8	999 657 007 90	relay blower engine compartment		1	
6	999 650 747 40	fuse holder		1	
7	999 650 748 40	locking device		1	
8	999 607 085 00	fuse 15 A		X	
(8)	999 607 073 00	fuse 40 A large		X	I661
		- - - E N D - - -			

Model	Year	MG	SG	Illustration	Restrictions	Update	7:57	25.08.2006	PORSCHE	PET	PORSCHE
987	07	9	02	902-05		203					



Pos	Part Number	Name	Remarks	Qty	Model
		battery power distributor starter generator			
1	996 611 090 08	ground strap	/LL 05	1	I098
1	997 611 090 00	ground strap	/LL 06-	1	I098
(1)	996 611 091 06	ground strap	/RL 05	1	I099
(1)	997 611 091 00	ground strap when required order also:	/RL 06-	1	I099
-	900 377 010 09	hexagon nut M 6		1	
(2)	999 611 070 20	battery 70 AH		1	
2	999 611 080 20	battery 80 AH		1	
(2) N	999 611 095 20	battery 95 AH		1	I200
3	996 611 209 00	rail battery		1	
4	900 378 017 09	hexagon-head tapping screw M 8 X 20		1	
5	893 915 507	angled pipe		1	
6	997 612 993 00	repair kit cable battery power distributor	/LL	1	I098
(6)	997 612 995 00	repair kit cable battery power distributor	/RL	1	I099
7	996 504 151 00	carrier plate for battery		1	
(7) N	997 504 151 00	carrier plate for battery		1	I200
8	999 084 630 09	hexagon nut VM 8 SB		4	
9	900 380 005 09	hexagon nut VM 8		2	
10	997 610 911 00	repair kit replacement power distributor comprising:		1	

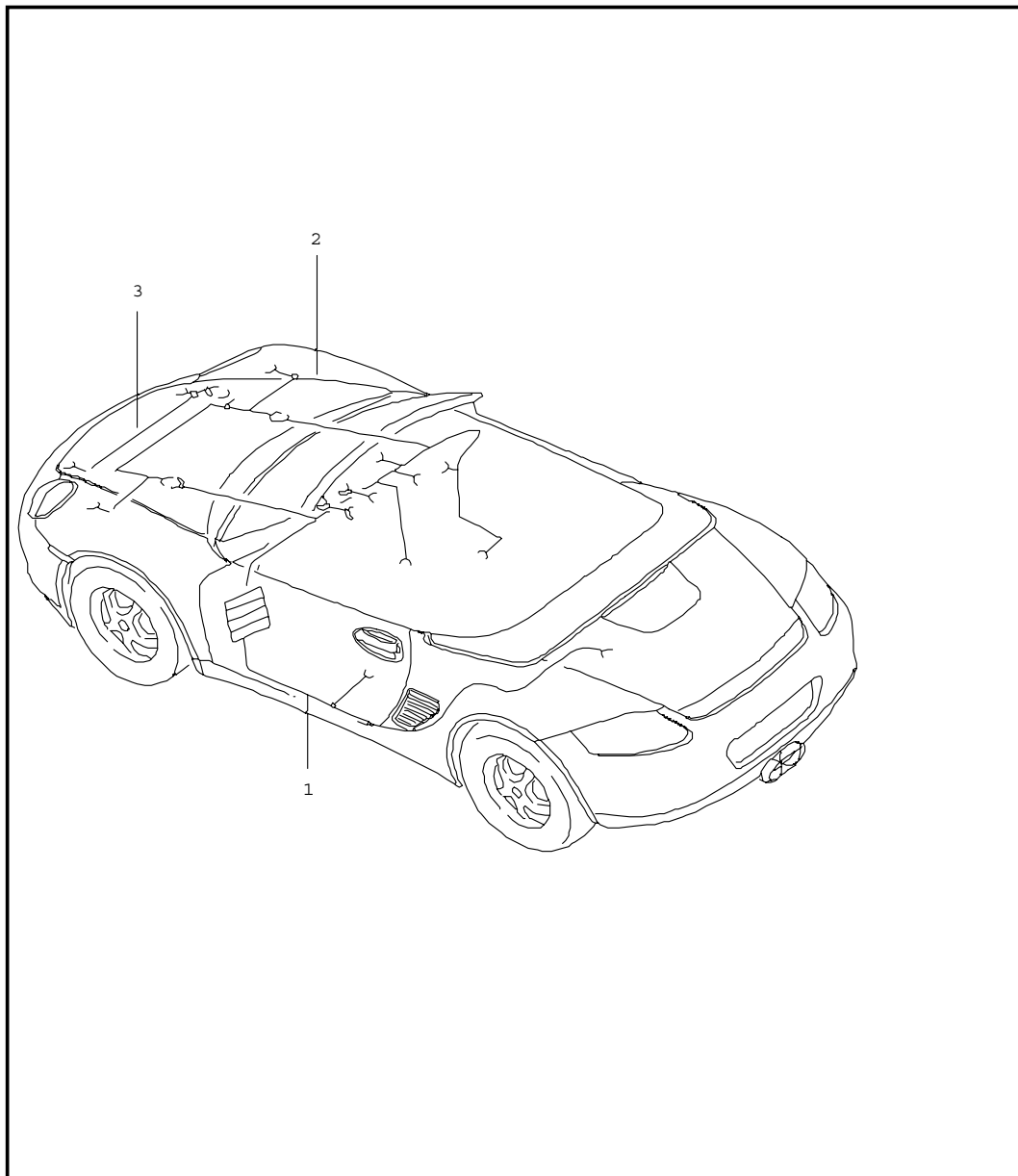
Model	Year	MG	SG	Illustration	Restrictions	Update				PORSCHE	PET	PORSCHE
987	07	9	02	902-05		203	7:57	25.08.2006				

Pos	Part Number	Name	Remarks	Qty	Model	Pos	Part Number	Name	Remarks	Qty	Model
-	-	power distributor without fuse element		1		12	987 612 090 00	cable power distributor to connection point engine	/LL 05	1	I098
-	-	hexagon nut M 5		8							
-	-	hexagon nut M 8		3		12	987 612 090 02	cable power distributor to connection point engine	/LL 06-	1	I098
-	-	seal label red when required order also: POS. 11		1		(12)	987 612 096 00	cable power distributor to connection point engine	/RL	1	I099
11	997 610 912 00	repair kit replacement fuse element comprising:		1							
-	-	fuse element 50 AMPERE		1		13	900 084 123 02	hexagon nut M 8		1	
-	-	fuse element 80 AMPERE		1		14	900 377 003 02	hexagon nut M 8		4	
-	-	hexagon nut M 5		4		15	986 611 201 01	connection point complete		1	
-	-	square washer		4		16	900 385 009 09	torx screw BM 6 X 16		2	
-	-	cover blue		1		17	> 996 604 103 00	starter 1,7 KW		1	
-	-	seal label red		1		18	900 385 097 09	torx screw BM 10 X 35		2	
11	997 610 913 00	repair kit replacement fuse element comprising:		1		19	900 377 010 04	hexagon nut M 6		1	
-	-	fuse element 150 AMPERE		1		20	W 997 603 012 00	generator with pulley without free wheel lock	-06	1	I249
-	-	hexagon nut M 8		2		20	> 997 603 012 02	generator with pulley without free wheel lock	-06	1	I249
-	-	square washer		2							
-	-	cover blue		1		20	P 997 603 022 00	generator with pulley without free wheel lock	07	1	I249
-	-	seal label red		1							

Model	Year	MG	SG	Illustration	Restrictions	Update					
987	07	9	02	902-05		203	7:57	25.08.2006	PORSCHE	PET	PORSCHE

Pos	Part Number	Name	Remarks	Qty	Model	Pos	Part Number	Name	Remarks	Qty	Model
(20)	W 997 603 012 01	generator with pulley free wheel lock	-06	1	I480/I481						
(20)	> 997 603 012 03	generator with pulley free wheel lock	-06	1	I480/I481						
(20)	P 997 603 022 01	generator with pulley free wheel lock	07	1	I480/I481						
21	996 603 151 55	pulley without free wheel lock		1	I249						
(21)	996 603 152 50	pulley with free wheel lock		1	I480/I481						
-	996 603 113 00	protection cap		1	I249						
-	996 603 153 50	protection cap		1	I480/I481						
22	N 012 016 1	lock ring B 16		1							
23	900 034 013 02	hexagon nut M 16 X 1,5 mounting parts generator		1							
-	900 385 097 09	torx screw BM 10 X 35		1							
-	900 385 092 04	torx screw BM 10 X 145		1							
24	987 607 019 01	wiring harness starter generator	-06	1							
(24)	N 987 607 019 02	wiring harness starter generator	07	1							
25	996 607 030 00	ground strap	05	1							
25	987 607 030 00	ground strap body engine	06-	1							
- - - E N D - - -											

Model	Year	MG	SG	Illustration	Restrictions	Update	7:58	25.08.2006	PORSCHE	PET	PORSCHE
987	07	9	02	902-10		203					

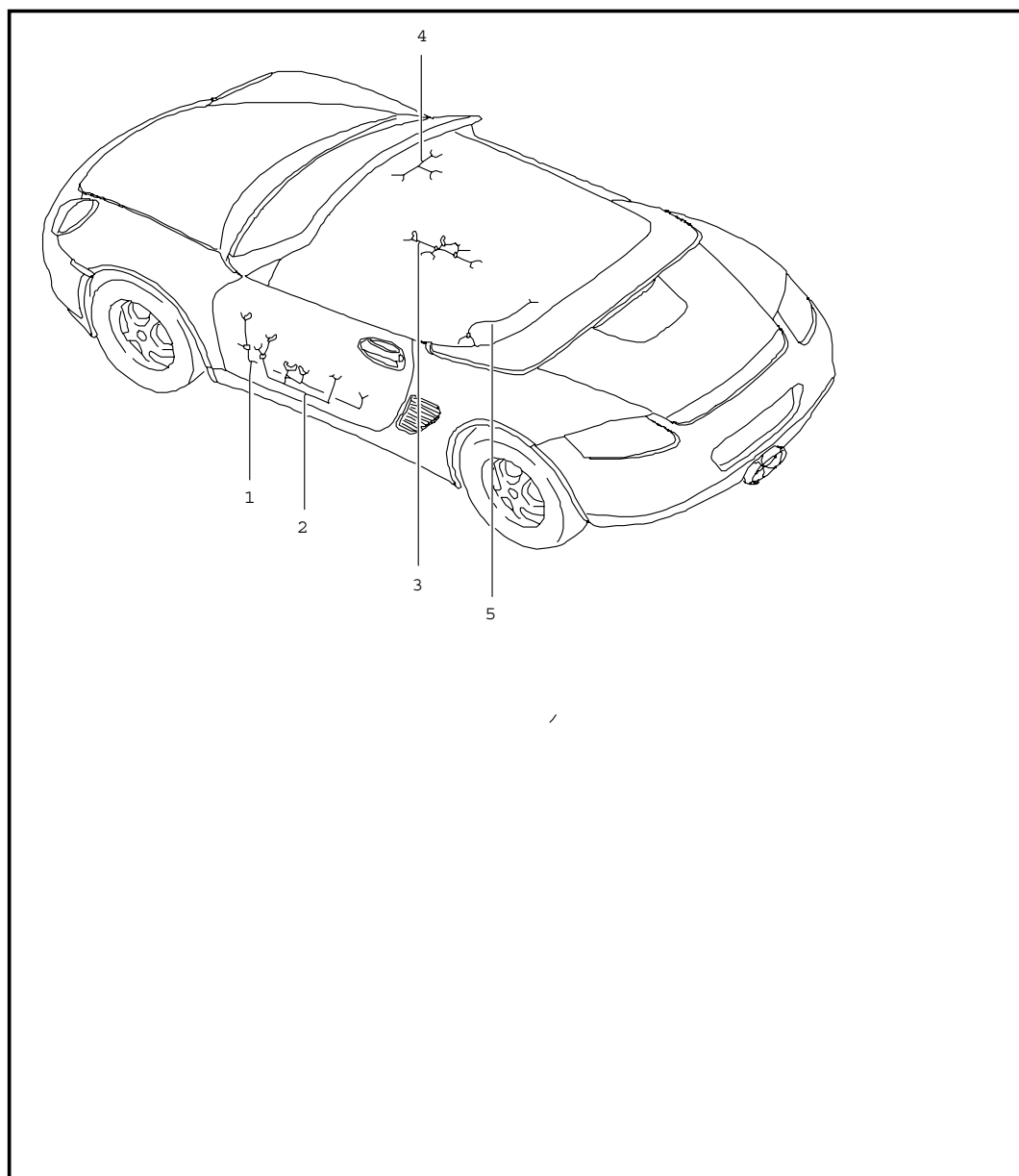


Pos	Part Number	Name	Remarks	Qty	Model
		harnesses passenger compartment front trunk lining front airbag seat-belt tensioner repair kits shock absorber anti-lock brake system brake pad wear indicator front axle			I475
1	987 612 903 00	wiring harness passenger compartment vehicle identification no. indicate		1	
2	987 612 520 00	wiring harness front trunk	05	1	
2	U 987 612 520 10	wiring harness front trunk	06	1	
2	987 612 520 11	wiring harness front trunk	06-	1	
(2)	987 612 521 00	wiring harness front trunk	05	1	I601
(2)	U 987 612 521 10	wiring harness front trunk	06	1	I601
(2)	987 612 521 11	wiring harness front trunk	06-	1	I601
3	987 612 501 00	wiring harness lining front		1	
-	997 612 781 00	wiring harness airbag passenger's side setting 1		1	
-	997 612 783 00	wiring harness airbag passenger's side setting2		1	
-	997 612 992 00	wiring harness control unit airbag connection point door		2	

Model	Year	MG	SG	Illustration	Restrictions	Update					
987	07	9	02	902-10		203	7:58	25.08.2006	PORSCHE	PET	PORSCHE

Pos	Part Number	Name	Remarks	Qty	Model	Pos	Part Number	Name	Remarks	Qty	Model
		wiring harness airbag seat see group 8/17/06 8/17/21									
-	997 612 793 00	wiring harness seat-belt tensioner	05	2							
-	997 612 793 01	wiring harness seat-belt tensioner	06-	2							
-	997 612 950 00	repair kit wiring harness shock absorber		2	I475						
-	997 612 961 00	repair kit wiring harness anti-lock brake system brake pad wear indicator	/V/L	1							
-	997 612 960 00	repair kit wiring harness anti-lock brake system brake pad wear indicator	/V/R	1							
		repair kit wiring harness rear axle see group 9 / 02 / 20 - - - E N D - - -									

Model	Year	MG	SG	Illustration	Restrictions	Update	7:58	25.08.2006	PORSCHE	PET	PORSCHE
987	07	9	02	902-15		203					

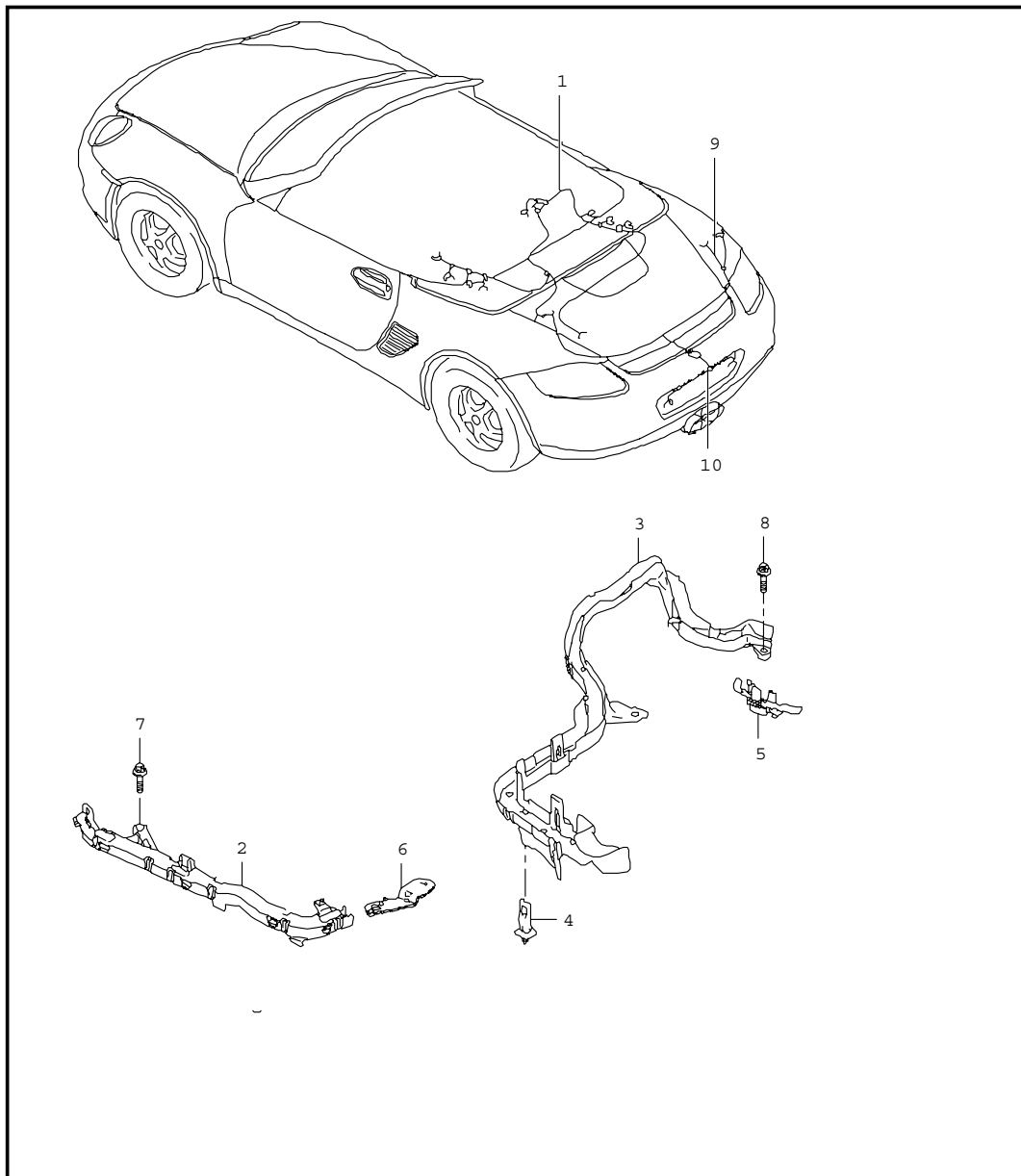


Pos	Part Number	Name	Remarks	Qty	Model
		harnesses doors airbag centre console glove compartment hardtop			
1	997 612 642 00	wiring harness wiper frame driver's door	/LL 05	1	I098
1	997 612 642 05	wiring harness wiper frame driver's door	/LL 06	1	I098
1 N	997 612 642 07	wiring harness wiper frame driver's door	/LL 07	1	I098
(1)	997 612 644 00	wiring harness wiper frame driver's door	/RL 05	1	I099
(1)	997 612 644 55	wiring harness wiper frame driver's door	/RL 06	1	I099
(1) N	997 612 644 57	wiring harness wiper frame driver's door	/RL 07	1	I099
(1)	997 612 643 00	wiring harness wiper frame passenger's door	/LL 05	1	I098
(1)	997 612 643 55	wiring harness wiper frame passenger's door	/LL 06	1	I098
(1) N	997 612 643 57	wiring harness wiper frame passenger's door	/LL 07	1	I098
(1)	997 612 645 00	wiring harness wiper frame passenger's door	/RL 05	1	I099
(1)	997 612 645 05	wiring harness wiper frame passenger's door	/RL 06	1	I099
(1) N	997 612 645 07	wiring harness wiper frame passenger's door	/RL 07	1	I099
-	997 612 780 00	wiring harness airbag	05	2	

Model	Year	MG	SG	Illustration	Restrictions	Update	7:58	25.08.2006	PORSCHE	PET	PORSCHE
987	07	9	02	902-15		203					

Pos	Part Number	Name	Remarks	Qty	Model	Pos	Part Number	Name	Remarks	Qty	Model
-	997 612 780 16	wiring harness airbag	06-	2		4	997 612 651 00	wiring harness glove compartment		1	
2	997 612 647 00	wiring harness door panel driver's door	/LL 05	1	I098	5	986 612 081 01	wiring harness hardtop		1	I550
2	997 612 647 05	wiring harness door panel driver's door	/LL 06	1	I098	-	-	wiring harness convertible top see group 8/11/05			
2	N 997 612 647 07	wiring harness door panel driver's door	/LL 07	1	I098			- - - E N D - - -			
(2)	997 612 650 00	wiring harness door panel driver's door	/RL 05	1	I099						
(2)	997 612 650 05	wiring harness door panel driver's door	/RL 06	1	I099						
(2)	N 997 612 650 07	wiring harness door panel driver's door	/RL 07	1	I099						
(2)	997 612 648 00	wiring harness door panel passenger's door	/LL 05	1	I098						
(2)	997 612 648 05	wiring harness door panel passenger's door	/LL 06	1	I098						
(2)	N 997 612 648 07	wiring harness door panel passenger's door	/LL 07	1	I098						
(2)	997 612 649 00	wiring harness door panel passenger's door	/RL 05	1	I099						
(2)	997 612 649 05	wiring harness door panel passenger's door	/RL 06	1	I099						
(2)	N 997 612 649 07	wiring harness door panel passenger's door	/RL 07	1	I099						
3	997 612 652 50	wiring harness centre console	05	1							
3	997 612 652 75	wiring harness centre console	06-	1							

Model	Year	MG	SG	Illustration	Restrictions	Update	7:58	25.08.2006	PORSCHE	PET	PORSCHE
987	07	9	02	902-20		203					



Pos	Part Number	Name	Remarks	Qty	Model
		harnesses engine rear end license plate light park distance control repair kits for shock absorber anti-lock brake system brake pad wear indicator rear axle			I475
1	987 607 001 02	wiring harness engine M >> 615 07982		1	M96.25/I481
1	987 607 001 04	wiring harness M 615 07983 >> engine	-06	1	M96.25/I481
1	N 987 607 011 08	wiring harness engine	07	1	M97.20/I481
1	N 987 607 010 06	wiring harness engine	07	1	M97.20/I481/ I660 I660
1	987 607 001 61	wiring harness engine M >> 625 06879		1	M96.25/26 I480
1	987 607 001 62	wiring harness M 625 06880 >> engine	-06	1	M96.25/26 I480 I480
1	N 987 607 011 64	wiring harness engine	07	1	M97.20/21 I480
1	N 987 607 010 63	wiring harness engine	07	1	M97.20/21 I480/660
1	987 607 001 03	wiring harness engine M >> 615 08206 M >> 625 07023		1	M96.25/26 I249
1	987 607 001 05	wiring harness M 615 08207 >> M 625 07024 >> engine	-06	1	M96.25/26 I249

Model	Year	MG	SG	Illustration	Restrictions	Update	7:58	25.08.2006	PORSCHE	PET	PORSCHE
987	07	9	02	902-20		203					

Pos	Part Number	Name	Remarks	Qty	Model	Pos	Part Number	Name	Remarks	Qty	Model
1	N 987 607 011 09	wiring harness engine	07	1	M97.20/21 I249	-	987 612 962 00	repair kit wiring harness anti-lock brake system brake pad wear indicator	/H/R	1	
1	N 987 607 010 07	wiring harness engine	07	1	M97.20/21 I249/660			repair kit wiring harness front axle see group 9/02/10			
2	987 607 116 00	cable guide for wiring harness 987.607.001.02/03/61		2							
(2)	987 607 116 01	cable guide for wiring harness 987.607.001.04/05/62 987.607.010.06/07/63 987.607.011.08/09/64	-06 07 07	2				- - - E N D - - -			
3	997 607 110 00	cable guide crankcase		1							
4	997 607 114 00	support cable guide		1							
5	987 607 126 00	support cable guide		1							
6	987 607 103 00	support cable guide		2							
7	900 385 001 09	torx screw BM 8 X 20		2							
8	900 385 009 09	torx screw BM 6 X 16		2							
9	987 612 904 00	wiring harness rear end vehicle identification no. indicate		1							
10	997 612 660 00	wiring harness license plate light		1							
(10)	997 612 661 00	wiring harness park distance control license plate light		1	I635						
-	997 612 950 00	repair kit wiring harness shock absorber		2	I475						
-	987 612 963 00	repair kit wiring harness anti-lock brake system brake pad wear indicator	/H/L	1							

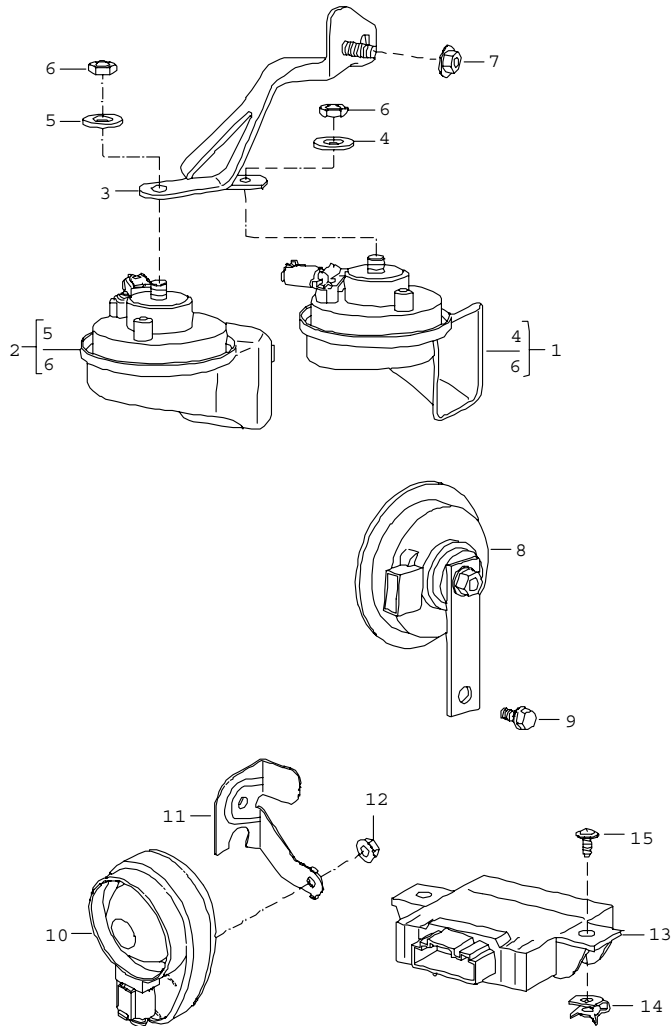
Model	Year	MG	SG	Illustration	Restrictions	Update	7:58	25.08.2006
987	07	9	02	902-50		203		

Pos	Part Number	Name	Remarks	Qty	Model
		optical waveguide module passenger compartment			
-	997 622 701 00	optical waveguide module	/LL	1	I098/670/672 I680/689/692
-	997 622 701 50	optical waveguide module	/RL	1	I099/670/672 I680/689/692
-	997 622 702 00	optical waveguide module	/LL	1	I098/666/689
-	997 622 702 50	optical waveguide module	/RL	1	I099/666/689
-	997 622 703 00	optical waveguide module	/LL	1	I098/666/670 I672/680/692
-	997 622 703 50	optical waveguide module	/RL	1	I099/666/670 I672/680/692
		module front trunk			
-	997 610 122 00	support connection point		1	
-	996 610 132 00	cable guide t-piece front trunk		X	
-	997 622 707 00	optical waveguide module	/LL	1	I098/670/672
-	997 622 707 50	optical waveguide module	/RL	1	I099/670/672
-	997 622 704 00	optical waveguide module	/LL	1	I098/680
-	997 622 704 50	optical waveguide module	/RL	1	I099/680
-	997 622 706 00	optical waveguide module	/LL	1	I098/692
-	997 622 706 50	optical waveguide module	/RL	1	I099/692
-	997 622 708 00	optical waveguide module	/LL	1	I098/664/692
-	997 622 710 00	optical waveguide module	/LL	1	I098/670/672 I680
-	997 622 710 50	optical waveguide module	/RL	1	I099/670/672 I680

Model	Year	MG	SG	Illustration	Restrictions	Update	7:58	25.08.2006
987	07	9	02	902-50		203		

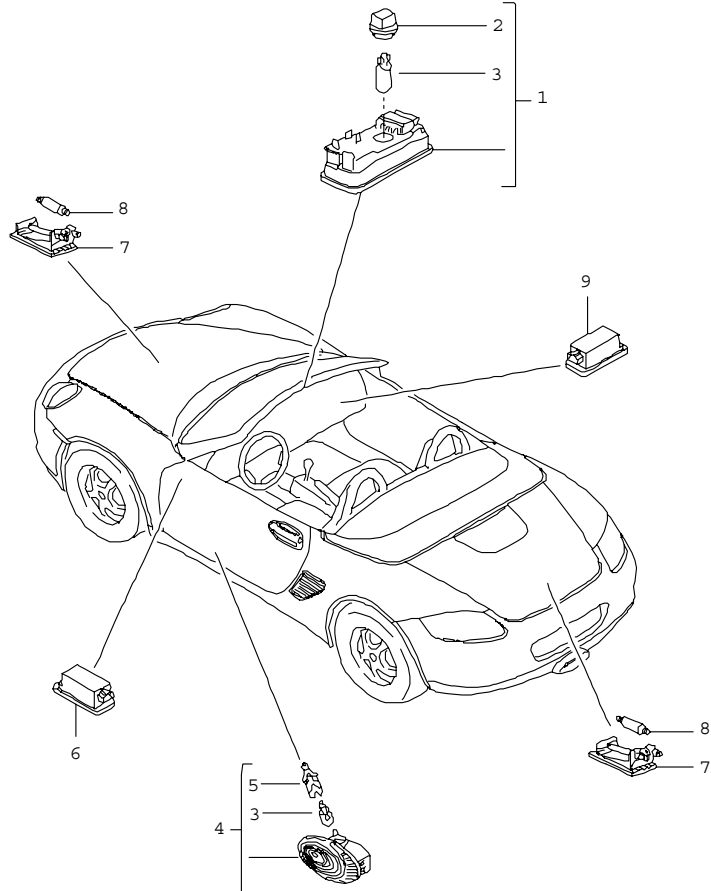
Pos	Part Number	Name	Remarks	Qty	Model
-	997 622 714 00	optical waveguide module	/LL	1	I098/670/672 I692
-	997 622 714 50	optical waveguide module	/RL	1	I099/670/672 I692
-	997 622 715 00	optical waveguide module	/LL	1	I098/664/670 I672/692
-	997 622 709 00	optical waveguide module	/LL	1	I098/680/692
-	997 622 709 50	optical waveguide module	/RL	1	I099/680/692
-	997 622 712 00	optical waveguide module	/LL	1	I098/664/680 I692
-	997 622 711 00	optical waveguide module	/LL	1	I098/670/672 I680/692
-	997 622 711 50	optical waveguide module	/RL	1	I099/670/672 I680/692
-	997 622 713 00	optical waveguide module	/LL	1	I098/664/670 I672/680/692
- - - E N D - - -					

Model	Year	MG	SG	Illustration	Restrictions	Update	7:59	25.08.2006	PORSCHE	PET	PORSCHE
987	07	9	03	903-00		203					



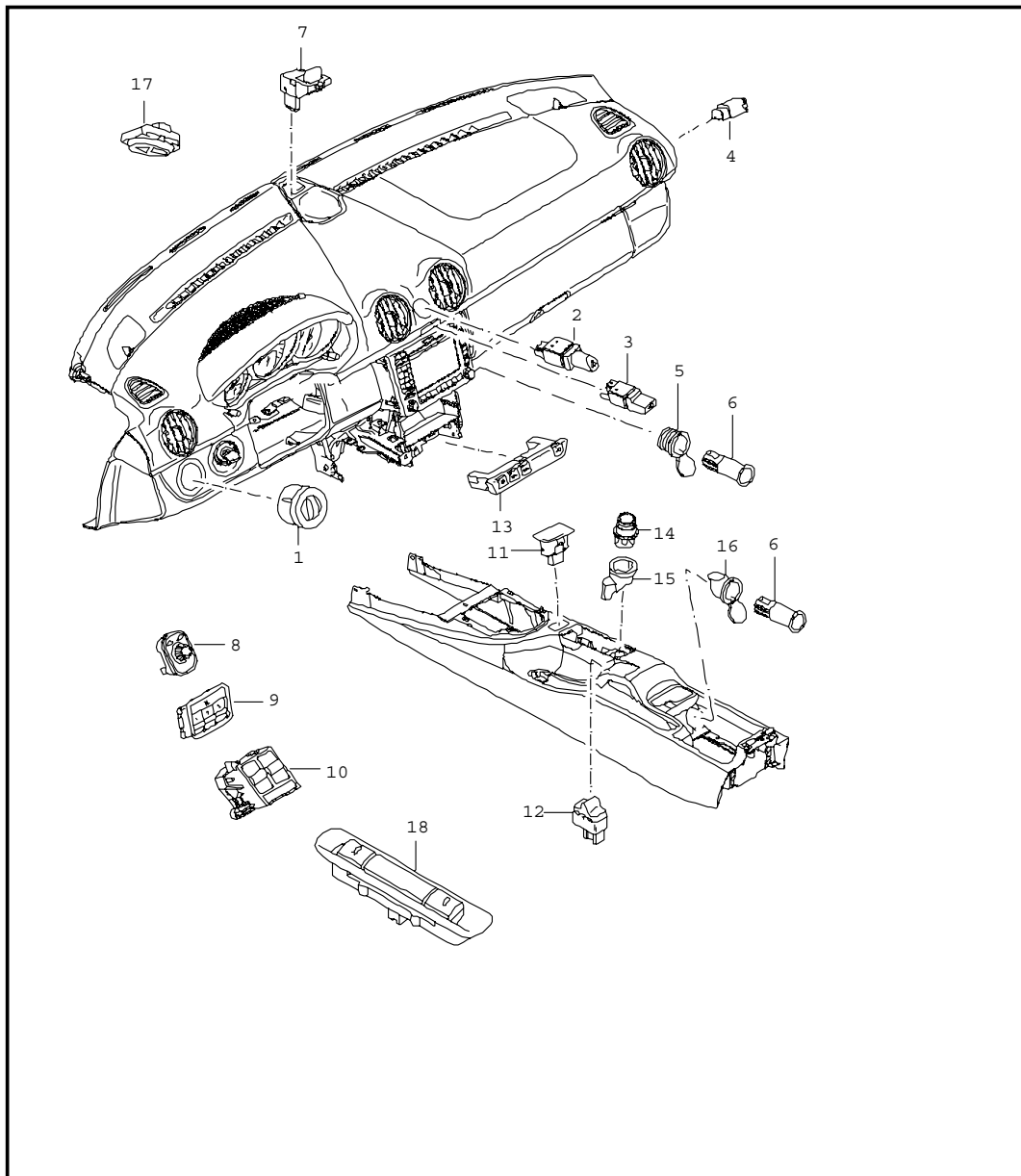
Pos	Part Number	Name	Remarks	Qty	Model
		fanfare horn alarm system			I536
1	997 635 206 00	fanfare high-pitched	-06	1	
1	N 997 635 206 01	fanfare high-pitched	07	1	
2	997 635 205 00	fanfare low-pitched	-06	1	
2	N 997 635 205 01	fanfare low-pitched	07	1	
3	997 635 150 01	support	-06	1	
3	N 997 635 150 02	support	07	1	
4	-	washer high-pitched		1	
5	-	washer low-pitched		1	
6	N 011 118 8	hexagon nut M 8		2	
7	900 377 003 02	hexagon nut M 8		1	
8	996 637 117 02	horn for alarm system		1	
9	900 075 459 09	screw M 6 X 12 Z2		1	
10	955 618 237 01	alarm siren		1	I536
11	997 637 419 01	support		1	I536
12	900 380 015 09	hexagon nut M 6		1	I536
13	997 618 265 00	control unit tilt sensor		1	I536
14	999 591 742 02	speed nut 4,2		2	I536
15	999 073 155 09	tapping screw 4,2 X 13		2	I536
- - - E N D - - -					

Model	Year	MG	SG	Illustration	Restrictions	Update	7:59	25.08.2006	PORSCHE	PET	PORSCHE
987	07	9	03	903-04		203					



Pos	Part Number	Name	Remarks	Qty	Model
		interior lights luggage boot lamp engine compartment lamp glove compartment light floor light			
1	987 632 053 00	interior light		1	
2	999 632 018 00	bulb holder		1	
3	999 631 032 90	bulb 5 W		2	
4	996 632 132 01	door guard light		2	
5	161 949 111	bulb holder		1	
6	955 632 202 00	light footwell		2	
7	997 632 201 00	light luggage compartment front and rear		2	
8	900 631 106 90	bulb 10 W		2	
9	997 632 071 00	glove compartment light		1	
-	999 631 137 90	bulb 3 W make-up mirror		4	
		- - - E N D - - -			

Model	Year	MG	SG	Illustration	Restrictions	Update	7:59	25.08.2006	PORSCHE	PET	PORSCHE
987	07	9	03	903-05		203					

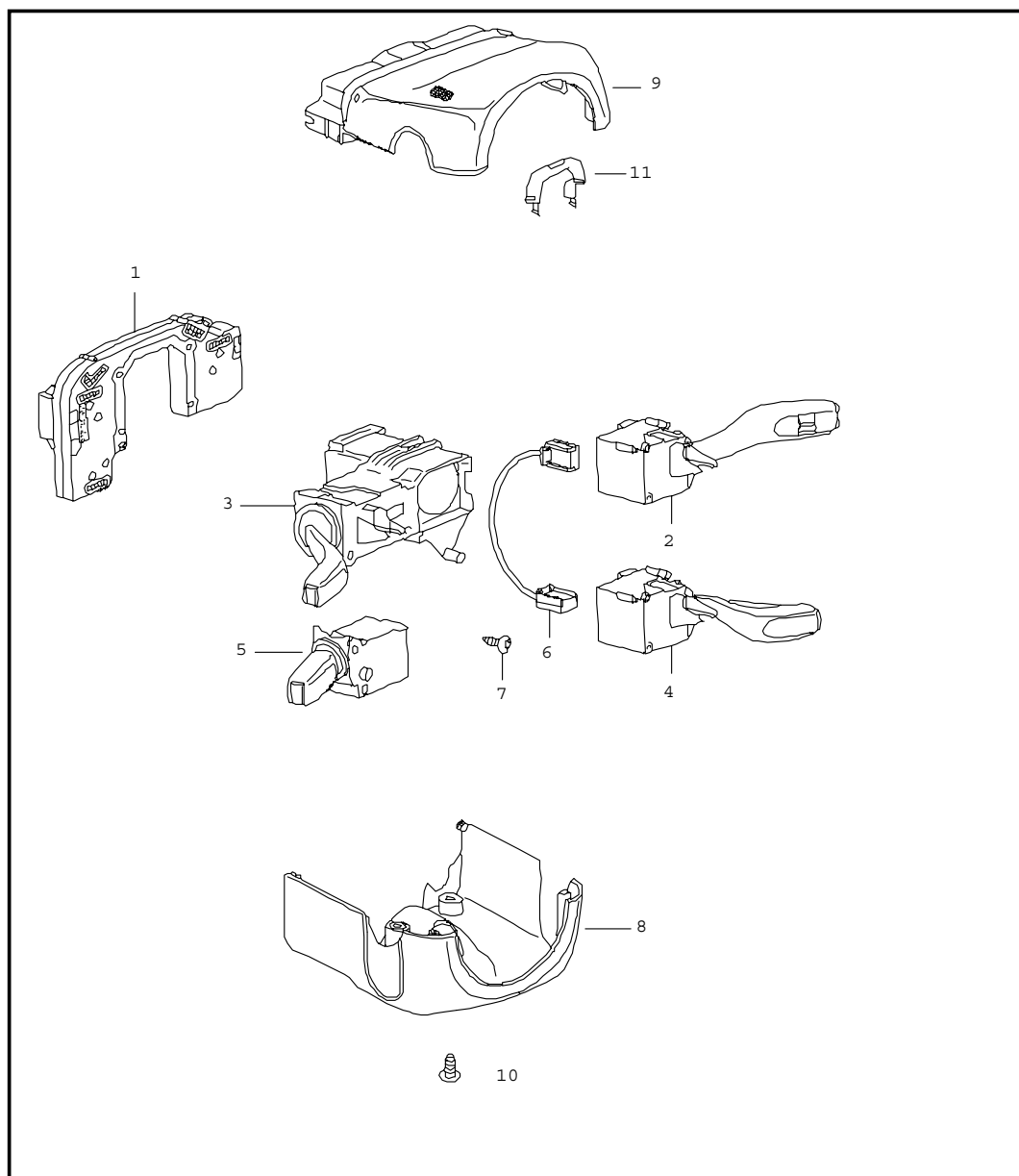


Pos	Part Number	Name	Remarks	Qty	Model
1	997 613 535 01	switch		1	
	A05	light switch			
	A05	black mat			
2	987 613 120 02	hazard warning light sw.		1	
	A05	black mat			
3	987 613 143 00	switch		1	
		central locking system			
	A05	black mat			
4	955 613 165 01	switch	05	1	
		airbag			
	B41	satin black			
4 P	955 613 165 02	switch	06-	1	
		airbag			
	9B9	satin black			
5	997 652 103 00	clamping ring		1	
		with cover			
6	955 652 107 00	socket		2	
7	997 653 251 00	sensor		1	
		air conditioner			
8	997 613 241 00	switch		1	
		door mirror			
	A05	black mat			
9	997 613 103 00	memory switch	/L	1	I537
	A05	black mat			
(9)	997 613 104 00	memory switch	/R	1	I538
	A05	black mat			
10	997 613 151 02	switch	/LL 05	1	I098
		power windows			
		driver's side			
	A05	black mat			
10	997 613 151 03	switch	/LL 06	1	I098
		power windows			
		driver's side			
	A05	black mat			

Model	Year	MG	SG	Illustration	Restrictions	Update	7:59	25.08.2006	PORSCHE	PET	PORSCHE
987	07	9	03	903-05		203					

Pos	Part Number	Name	Remarks	Qty	Model	Pos	Part Number	Name	Remarks	Qty	Model
(10)	997 613 152 02	switch power windows driver's side	/RL 05	1	I099	(13) P	997 613 131 00	combined switch	07	1	IXLF/475/476
	A05	black mat					FMH	volcano grey/black mat			
(10)	997 613 152 03	switch power windows driver's side	/RL 06	1	I099	(13)	997 613 133 00	combined switch		1	I476
	A05	black mat					FMH	volcano grey/black mat			
(10)	997 613 156 02	switch power windows passenger's side	/LL 05	1	I098	(13) P	997 613 129 00	combined switch	07	1	IXLF/476
	A05	black mat					FMH	volcano grey/black mat			
(10)	997 613 156 03	switch power windows passenger's side	/LL 06	1	I098	14	996 652 101 10	cigarette lighter		1	
	A05	black mat					A05	black mat			
(10)	997 613 155 02	switch power windows passenger's side	/RL 05	1	I099	15	997 652 102 00	headlight unit		1	
	A05	black mat				16	997 652 104 00	clamping ring with cover		1	
(10)	997 613 155 03	switch power windows passenger's side	/RL 06	1	I099	17 A	997 613 225 00	switch garage door opener	/L	1	I607/I608
	A05	black mat					A05	black mat			
11	997 641 165 00	indicator light airbag		1		17	997 613 225 01	switch garage door opener	/L	1	I607/I608
	A05	black mat					A05	black mat			
12	997 613 141 01	switch folding top control		1		(17)	997 613 227 00	switch garage door opener	/R 05	1	I607/I608
	A05	black mat					A05	black mat			
13	997 613 139 00	combined switch		1	I475/476/ I639/640	(17)	997 613 235 00	cover		2	
	FMH	volcano grey/black mat					01C	satin black			
(13)	997 613 137 00	combined switch		1	I476/639/640	18	997 613 105 00	switch cover front and rear		1	
	FMH	volcano grey/black mat					A05	black mat			
(13)	997 613 135 00	combined switch		1	I475/476						
	FMH	volcano grey/black mat									
								- - - E N D - - -			

Model	Year	MG	SG	Illustration	Restrictions	Update	7:59	25.08.2006	PORSCHE	PET	PORSCHE
987	07	9	03	903-10		203					

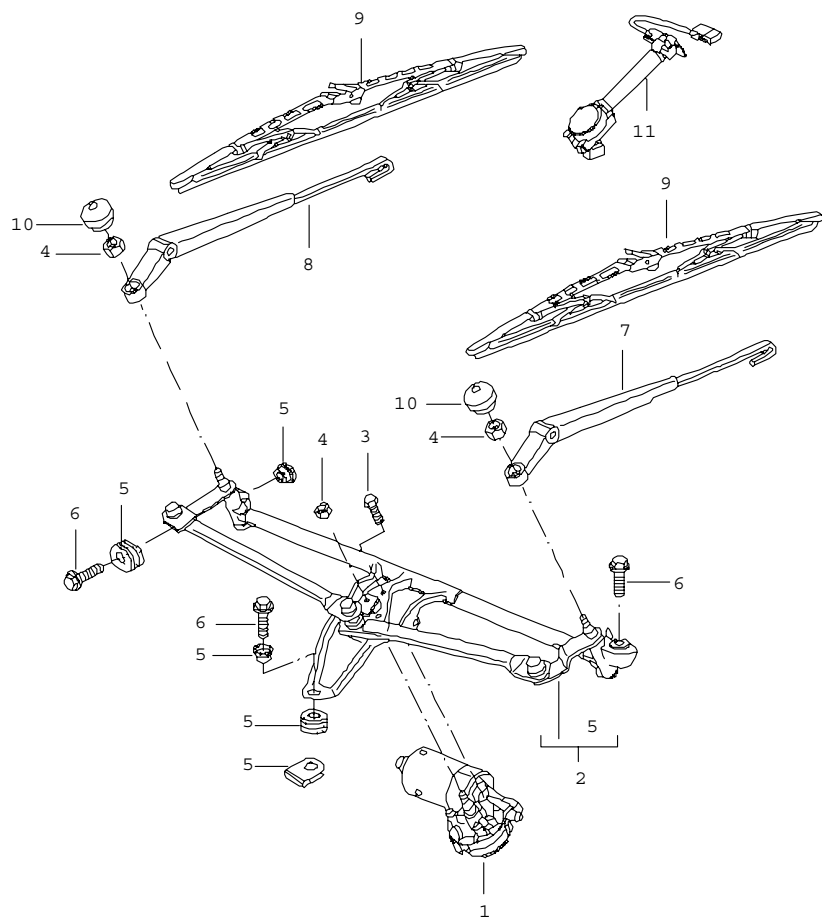


Pos	Part Number	Name	Remarks	Qty	Model
		steering column switch			
1	997 613 291 02	electronic unit		1	
2	997 613 251 00	wiper switch		1	
	01C	satin black			
(2)	997 613 253 00	wiper switch		1	I288
	01C	satin black			
3	997 613 245 00	direction indicator switch		1	
	01C	satin black			
4	997 613 261 00	switch cruise control		1	I454
	01C	satin black			
5	997 613 265 00	switch on-board computer		1	I659
	01C	satin black			
6	997 622 674 00	wiring harness cruise control		1	I454
7	N 909 068 01	torx screw M 2,5 X 2,6 X 43,5-D		X	
8	997 552 475 02	switch housing lower		1	
	A03	black			
(8)	997 552 475 03	switch housing lower		1	I454
	A03	black			
8	997 552 979 00	switch housing lower leather	06-	1	IXNS
	A11	black			
	5X6	stone grey			
	8G2	sand beige			
	3S9	sea blue			
	4P2	palmgreen			
	9S5	terracotta			

Model	Year	MG	SG	Illustration	Restrictions	Update					
987	07	9	03	903-10		203	7:59	25.08.2006	PORSCHE	PET	PORSCHE

Pos	Part Number	Name	Remarks	Qty	Model	Pos	Part Number	Name	Remarks	Qty	Model
		9V6 cocoa				11	997 610 206 00	cable guide		1	
		D12 dark grey/natural						- - - E N D - - -			
		T12 brown/natural									
(8)	997 552 979 01	switch housing lower leather	06-	1	IXNS/454						
		A11 black									
		5X6 stone grey									
		8G2 sand beige									
		3S9 sea blue									
		4P2 palmgreen									
		9S5 terracotta									
		9V6 cocoa									
		D12 dark grey/natural									
		T12 brown/natural									
9	997 552 273 02	switch housing upper		1							
		A03 black									
9	997 552 997 00	switch housing upper leather	06-	1	IXNS						
		A11 black									
		5X6 stone grey									
		8G2 sand beige									
		3S9 sea blue									
		4P2 palmgreen									
		9S5 terracotta									
		9V6 cocoa									
		D12 dark grey/natural									
		T12 brown/natural									
10	999 919 136 02	oval-head screw 3,5 X 18		3							

Model	Year	MG	SG	Illustration	Restrictions	Update	8:00	25.08.2006	PORSCHE	PET	PORSCHE
987	07	9	04	904-00		203					

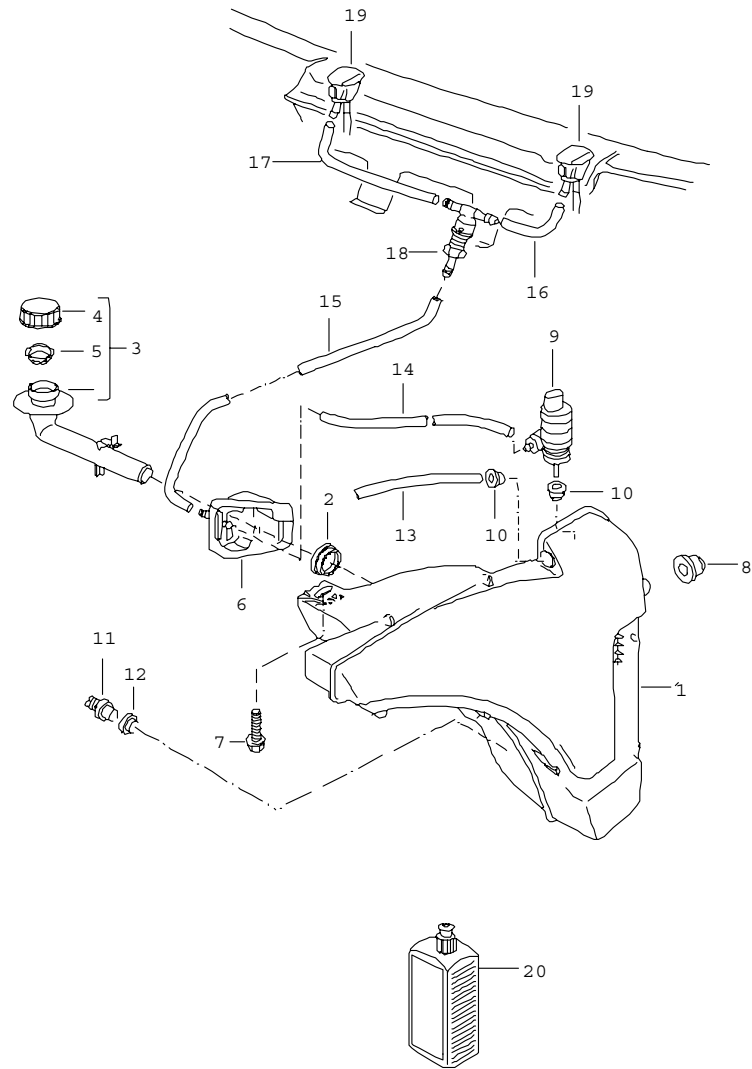


Pos	Part Number	Name	Remarks	Qty	Model
		windscreen wiper system rain sensor			
1	997 624 105 00	wiper motor	/LL	1	I098
(1)	997 624 106 00	wiper motor	/RL	1	I099
2	997 628 235 00	crank drive	/LL	1	I098
(2)	997 628 236 00	crank drive	/RL	1	I099
3	999 073 359 09	torx screw M 6 X 18		3	
4	900 076 064 01	hexagon nut M 8		3	
5	997 628 928 00	repair kit comprising:		1	
-	-	sleeve		1	
-	-	rubber bush		1	
-	-	sleeve		1	
-	-	rubber bush		1	
-	-	clamp		2	
6	999 075 075 09	screw M 6 X 22 SC		3	
7	986 628 028 00	wiper arm driver's side	/LL	1	I098
(7)	996 628 027 01	wiper arm passenger's side	/RL	1	I099
8	996 628 028 01	wiper arm passenger's side	/LL	1	I098
(8)	986 628 027 00	wiper arm driver's side	/RL	1	I099
9	996 628 901 08	wiper blade set driver's side passenger's side		1	
10	944 628 305 01	cap		2	
11	987 612 693 25	rain sensor with wiring harness		1	I267/268

Model	Year	MG	SG	Illustration	Restrictions	Update	8:00	25.08.2006	PORSCHE	PET	PORSCHE
987	07	9	04	904-00		203					

Pos	Part Number	Name	Remarks	Qty	Model	Pos	Part Number	Name	Remarks	Qty	Model
-	000 043 204 65	adhesive film for rain sensor - - - E N D - - -		1							

Model	Year	MG	SG	Illustration	Restrictions	Update	8:00	25.08.2006	PORSCHE	PET	PORSCHE
987	07	9	04	904-10		203					

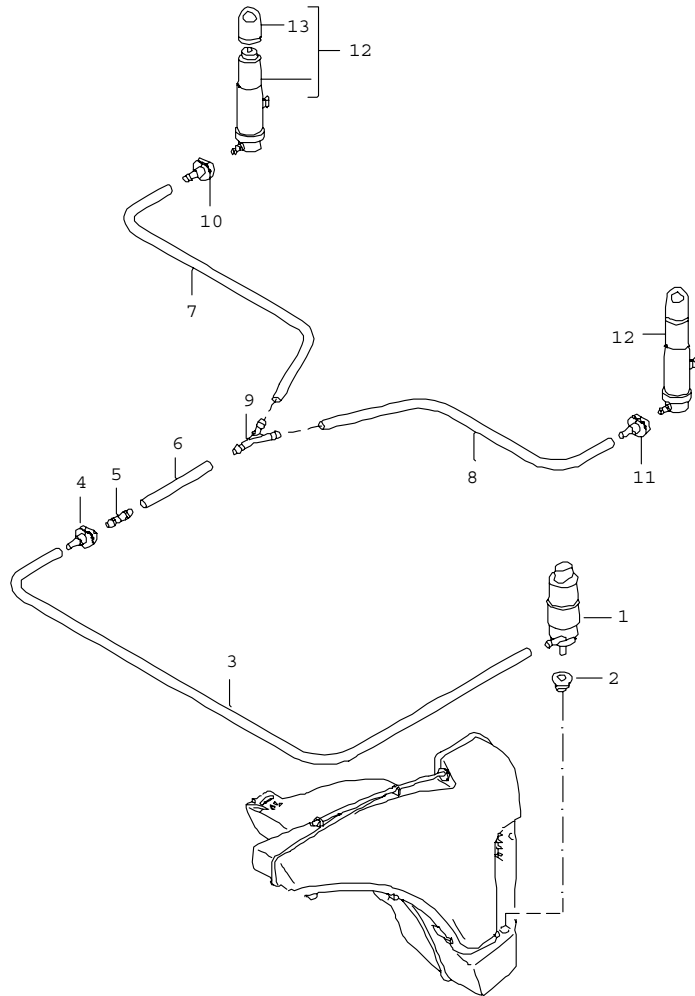


Pos	Part Number	Name	Remarks	Qty	Model
		windscreen washer system			
1	997 528 701 01	water reservoir		1	I288
(1)	997 528 701 00	water reservoir		1	
2	996 528 711 00	gasket		1	
3	997 528 605 00	filler neck		1	
4	996 528 607 00	cover		1	
5	997 528 621 00	strainer		1	
6	996 528 615 01	bracket		1	
-	999 137 091 40	socket repair material for bracket 996.528.615.01		X	
7	900 378 154 09	hexagon-head bolt AM 8 X 35 SB		1	
8	999 702 221 40	grommet		2	
9	997 628 182 00	pump		1	
10	431 955 465 B	gasket		2	
11	955 628 105 00	tank gauge		1	
12	955 528 721 00	gasket		1	
13	999 181 347 40	breather pipe 273 MM		*	
-	999 181 815 40	hose 5,0 X 2,5		*	
14	-	375 MM		1	
15	-	650 MM		1	
16	-	97 MM		1	
17	-	347 MM		1	
(18)	999 137 005 40	t-piece		1	
19 A	996 628 077 01	nozzle	05	2	
19	996 628 077 03	nozzle when required order also:		2	
- P	997 612 976 00	repair kit wiring harness		2	

Model	Year	MG	SG	Illustration	Restrictions	Update	8:00	25.08.2006	PORSCHE	PET	PORSCHE
987	07	9	04	904-10		203					

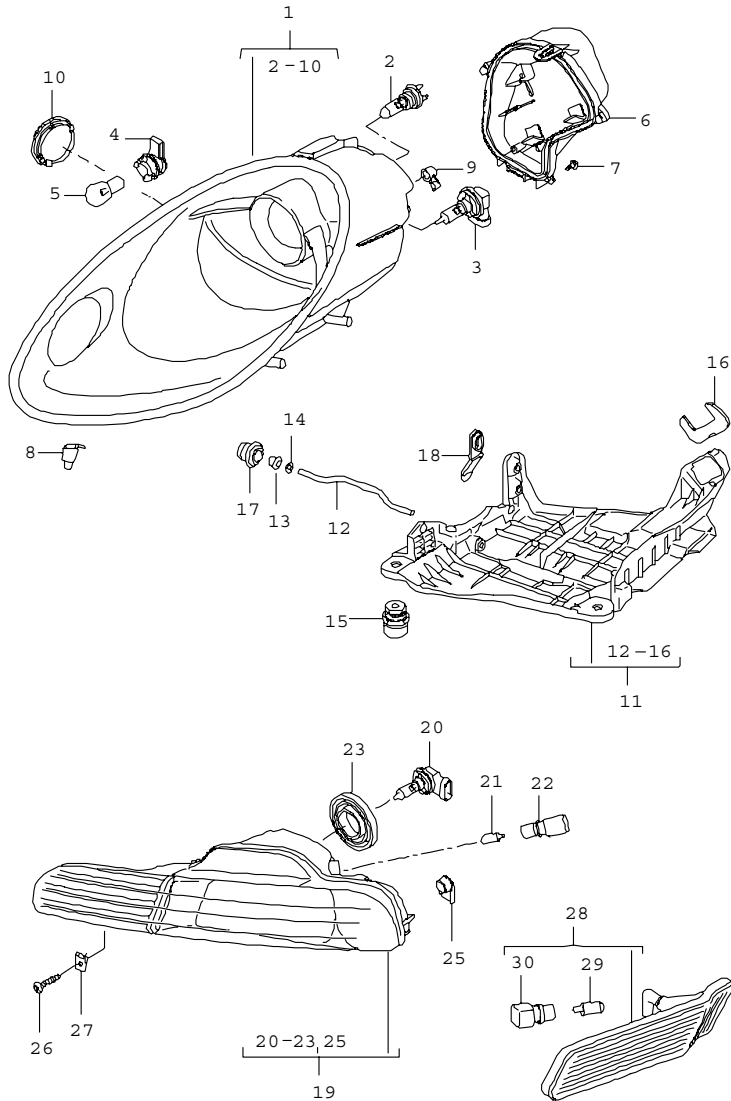
Pos	Part Number	Name	Remarks	Qty	Model	Pos	Part Number	Name	Remarks	Qty	Model
20	999 901 017 42	window cleaner 250 ML summer		X							
20	999 901 033 40	window cleaner 1000 ML winter		X							
		- - - E N D - - -									

Model	Year	MG	SG	Illustration	Restrictions	Update	8:00	25.08.2006	PORSCHE	PET	PORSCHE
987	07	9	04	904-20		203					



Pos	Part Number	Name	Remarks	Qty	Model
		headlight washer system			I288
1	997 624 502 00	pump		1	
2	928 628 193 00	gasket		1	
-	000 043 204 79	hose 8 X 3		*	
3	-	890 MM		1	
4	996 628 204 00	quick-connecting lock		1	
5	997 628 208 00	hose connection		1	
-	999 181 760 40	hose 10 X 3		*	
6	-	440 MM			
7	-	50 MM			
8	-	1850 MM			
9	999 137 093 40	y-piece		1	
10	997 628 204 00	quick-connecting lock		1	
11	997 628 205 00	quick-connecting lock		1	
12	997 628 133 00	nozzle		2	
13	997 628 231 00	nozzle head		2	
		- - - E N D - - -			

Model	Year	MG	SG	Illustration	Restrictions	Update	8:00	25.08.2006	PORSCHE	PET	PORSCHE
987	07	9	05	905-00		203					

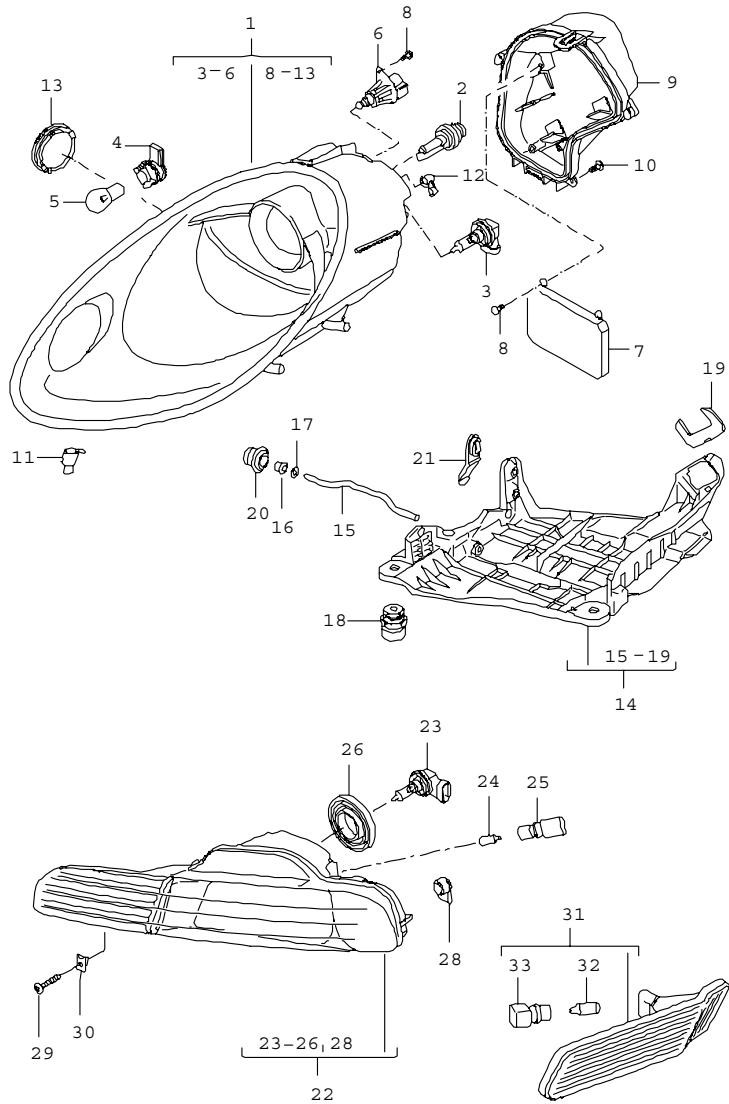


Pos	Part Number	Name	Remarks	Qty	Model
		headlamp additional headlamp side turn signal			
1	A 987 631 163 00	headlamp	/L	1	
1	987 631 163 01	headlamp	/L	1	
(1)	A 987 631 164 00	headlamp	/R	1	
(1)	987 631 164 01	headlamp	/R	1	
1	A 987 631 163 10	headlamp	/L	1	I492
1	987 631 163 11	headlamp	/L	1	I492
(1)	A 987 631 164 10	headlamp	/R	1	I492
(1)	987 631 164 11	headlamp	/R	1	I492
2	999 631 133 91	halogen bulb H 7		2	
3	999 631 143 90	halogen bulb H 9		2	
4	987 631 153 00	bulb holder direction indicator light		2	
5	900 631 021 90	bulb 21 W		2	
6	997 631 101 00	protective cap	/L	1	
(6)	997 631 102 00	protective cap	/R	1	
7	997 631 191 00	screw		4	
8	987 631 135 00	breather adapter		2	
9	997 631 249 00	ventilation component		2	
10	987 631 107 00	cover		2	
11	A 987 631 041 00	mounting	/L	1	
11	987 631 041 01	mounting	/L	1	
(11)	A 987 631 042 00	mounting	/R	1	
(11)	987 631 042 01	mounting	/R	1	
12	A 987 631 243 00	clamping bow		2	
12	987 631 243 01	clamping bow		2	
13	997 631 272 00	bearing sleeve		2	

Model	Year	MG	SG	Illustration	Restrictions	Update	8:00	25.08.2006	PORSCHE	PET	PORSCHE
987	07	9	05	905-00		203					

Pos	Part Number	Name	Remarks	Qty	Model	Pos	Part Number	Name	Remarks	Qty	Model
14	900 116 004 09	lock washer		2							
15	997 631 194 00	fastening part		6							
16	997 631 245 00	locking device connector housing		2							
17	999 703 413 40	plug		2							
18	993 631 170 03	plug		6							
		additional headlamp									
19	987 631 081 00	additional headlamp	/L	1							
(19)	987 631 082 00	additional headlamp	/R	1							
20	999 631 142 90	halogen bulb H 8		2							
21	999 631 033 90	bulb 5 W position light		2							
22	997 631 137 00	bulb holder position light		2							
23	997 631 145 00	cap		2							
(25)	997 631 293 00	cover		2							
26	999 073 080 02	tapping screw ST 4,2 X 16		4							
27	999 507 768 02	speed nut ST 4,2		4							
		side turn signal									
28	987 631 033 01	side turn signal	/L	1							
(28)	987 631 034 01	side turn signal	/R	1							
29	999 631 138 90	bulb 5 W yellow		2							
30	997 631 133 00	bulb holder		2							
		- - - E N D - - -									

Model	Year	MG	SG	Illustration	Restrictions	Update	8:00	25.08.2006	PORSCHE	PET	PORSCHE
987	07	9	05	905-01		203					



Pos	Part Number	Name	Remarks	Qty	Model
		headlamp additional headlamp side turn signal			I601
		headlamp without control unit and bulb XENON			
1	A 987 631 157 00	headlamp F >>985S7 00582 F >>985U7 02552 F >>985U7 22699	/L	1	
1	987 631 157 01	headlamp	/L	1	
(1)	A 987 631 158 00	headlamp F >>985S7 00582 F >>985U7 02552 F >>985U7 22699	/R	1	
(1)	987 631 158 01	headlamp	/R	1	
1	A 987 631 157 10	headlamp F >>985U7 02536 F >>985U7 22678	/L	1	I492
1	987 631 157 11	headlamp	/L	1	I492
(1)	A 987 631 158 10	headlamp F >>985U7 02536 F >>985U7 22678	/R	1	I492
(1)	987 631 158 11	headlamp	/R	1	I492
2	999 631 036 90	bulb - PHILIPS -		2	
3	999 631 144 91	halogen bulb H 11		2	
4	987 631 153 00	bulb holder direction indicator light		2	
5	900 631 021 90	bulb 21 W		2	
6	997 631 125 01	electric motor headlight levelling system F >>985S7 00582 F >>985U7 02552 F >>985U7 22699 F >>985U7 02536 F >>985U7 22678	/L	1	I492 I492

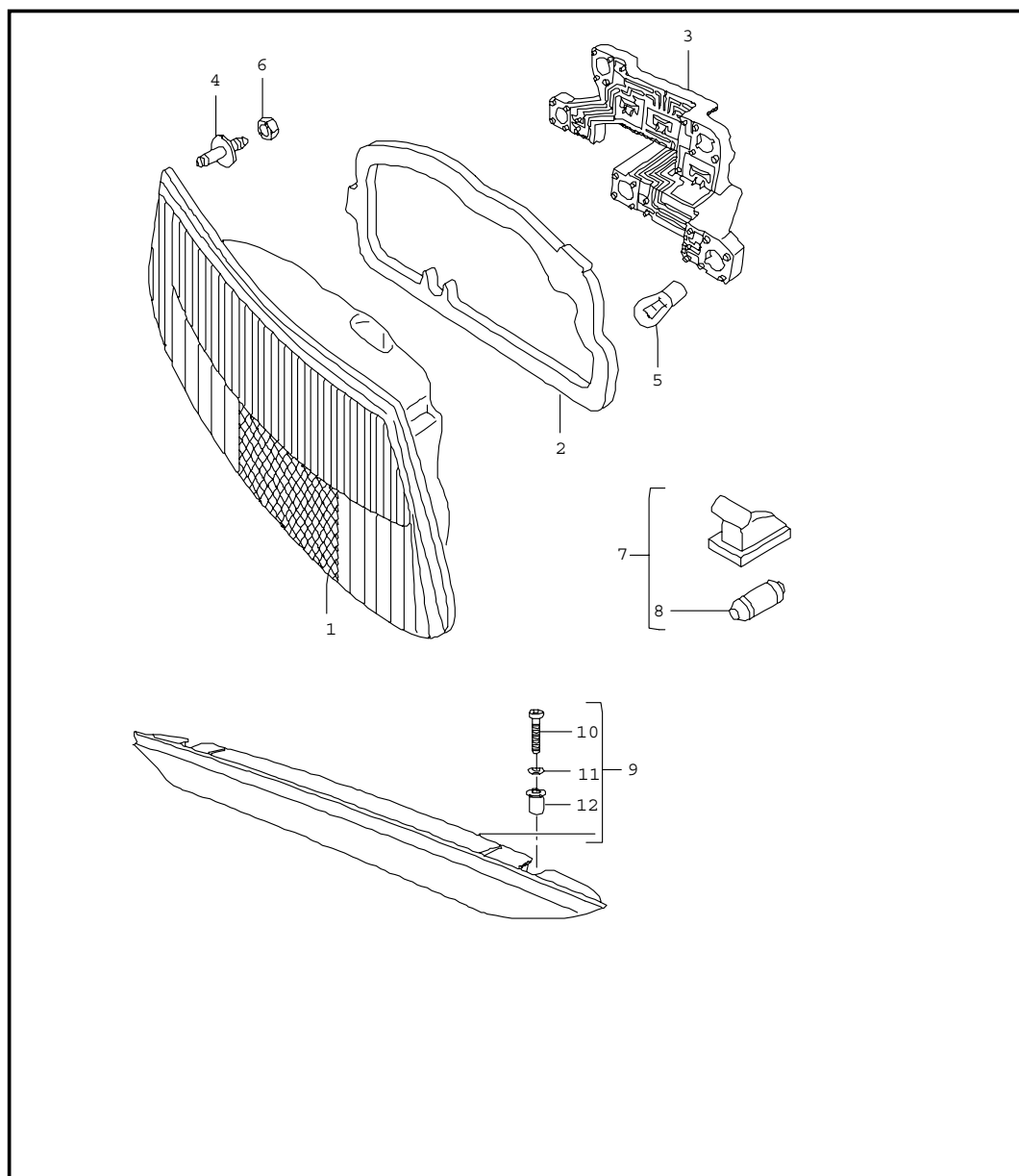
Model	Year	MG	SG	Illustration	Restrictions	Update	8:00	25.08.2006	PORSCHE	PET	PORSCHE
987	07	9	05	905-01		203					

Pos	Part Number	Name	Remarks	Qty	Model	Pos	Part Number	Name	Remarks	Qty	Model
(6)	997 631 126 01	electric motor headlight levelling system F >>985S7 00582 F >>985U7 02552 F >>985U7 22699 F >>985U7 02536 F >>985U7 22678	/R	1		15	A 987 631 243 00	clamping bow F >>985S7 00582 F >>985U7 02552 F >>985U7 22699 F >>985U7 02536 F >>985U7 22678		2	
					I492 I492						I492 I492
6	997 631 141 00	electric motor headlight levelling system F 985S7 00583>> F 985U7 02553>> F 985U7 22700>> F 985U7 02537>> F 985U7 22679>> when required order also:		2		15	987 631 243 01	clamping bow		2	
					I492 I492	16	997 631 272 00	bearing sleeve		2	
						17	900 116 004 09	lock washer		2	
						18	997 631 194 00	fastening part		6	
						19	997 631 245 00	locking device connector housing		2	
-	997 631 941 00	cable adapter		2		20	999 703 413 40	plug		2	
7	997 631 183 00	control unit		2		21	993 631 170 03	plug		6	
8	997 631 199 00	screw		6				additional headlamp			
9	997 631 101 00	protective cap	/L	1		22	987 631 081 00	additional headlamp	/L	1	
(9)	997 631 102 00	protective cap	/R	1		(22)	987 631 082 00	additional headlamp	/R	1	
10	997 631 191 00	screw		8		23	999 631 142 90	halogen bulb H 8		2	
11	987 631 135 00	breather adapter		2		24	999 631 033 90	bulb 5 W position light		2	
12	997 631 249 00	ventilation component		2							
13	987 631 107 00	cover		2		25	997 631 137 00	bulb holder position light		2	
14	A 987 631 041 00	mounting F >>985S7 00582 F >>985U7 02552 F >>985U7 22699 F >>985U7 02536 F >>985U7 22678	/L	1		26	997 631 145 00	cap		2	
					I492 I492	(28)	997 631 293 00	cover		2	
14	987 631 041 01	mounting	/L	1		29	999 073 080 02	tapping screw ST 4,2 X 16		4	
(14)	A 987 631 042 00	mounting F >>985S7 00582 F >>985U7 02552 F >>985U7 22699 F >>985U7 02536 F >>985U7 22678	/R	1		30	999 507 768 02	speed nut ST 4,2 side turn signal		4	
					I492 I492	31	987 631 033 01	side turn signal	/L	1	
(14)	987 631 042 01	mounting	/R	1		(31)	987 631 034 01	side turn signal	/R	1	
						32	999 631 138 90	bulb 5 W yellow		2	

Model	Year	MG	SG	Illustration	Restrictions	Update					
987	07	9	05	905-01		203	8:00	25.08.2006	PORSCHE	PET	PORSCHE

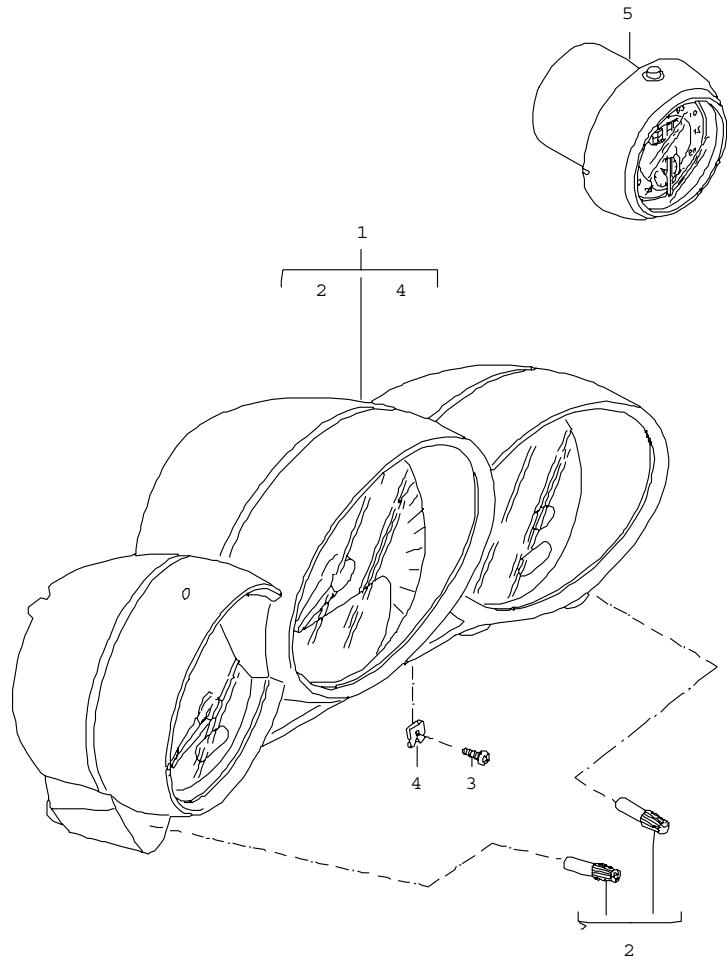
Pos	Part Number	Name	Remarks	Qty	Model	Pos	Part Number	Name	Remarks	Qty	Model
33	997 631 133 00	bulb holder		2							
		- - - E N D - - -									

Model	Year	MG	SG	Illustration	Restrictions	Update	8:01	25.08.2006	PORSCHE	PET	PORSCHE
987	07	9	05	905-05		203					



Pos	Part Number	Name	Remarks	Qty	Model
		rear light license plate light additional stoplamp			
1	987 631 445 02	rear light housing	/L -05	1	
1	N 987 631 445 03	rear light housing	/L 06-	1	
(1)	987 631 446 02	rear light housing	/R -05	1	
(1)	N 987 631 446 03	rear light housing	/R 06-	1	
2	987 631 440 00	gasket		2	
3	987 631 453 02	bulb holder	/L	1	
(3)	987 631 454 02	bulb holder	/R	1	
4	987 631 087 00	actuator		6	
5	900 631 022 90	bulb 21/5 W		X	
(5)	900 631 018 90	bulb 21 W		X	
(5)	900 631 021 90	bulb 21 W yellow		X	
(5)	900 631 017 90	bulb 21/4 W		X	
6	999 076 056 02	hexagon nut M 5		6	
7	997 631 620 00	license plate light		2	
8	900 631 025 90	bulb 12V 5W		2	
9	987 631 050 01	additional stoplamp		1	
10	900 146 049 00	screw M 5 X 25		2	
11	900 025 073 00	washer		2	
12	999 500 128 00	sheetmetal press nut		2	
		- - - E N D - - -			

Model	Year	MG	SG	Illustration	Restrictions	Update	8:01	25.08.2006	PORSCHE	PET	PORSCHE
987	07	9	06	906-01		203					

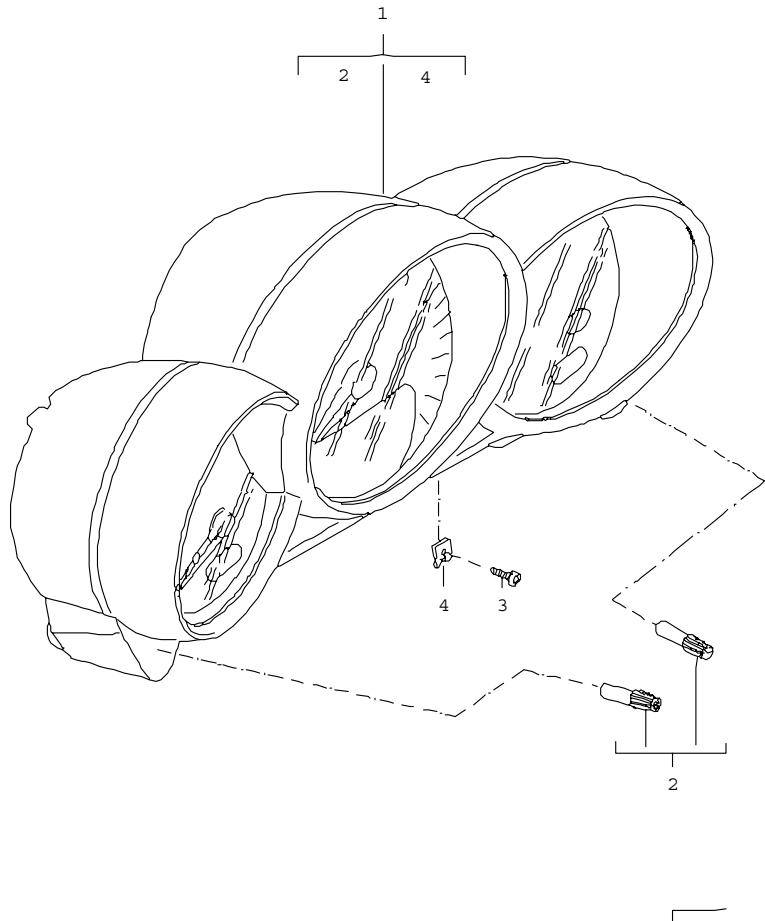


Pos	Part Number	Name	Remarks	Qty	Model
		instruments stopwatch			
		B O X S T E R			
1 A	987 641 105 05	instrument cluster	05	1	I480/I481
1	987 641 105 12	instrument cluster	05	1	I480/I481
1	987 641 105 20	instrument cluster	06	1	I480/I481
1 N	987 641 105 21	instrument cluster	07	1	I480/I481
(1) A	987 641 106 05	instrument cluster	05	1	I249
(1)	987 641 106 10	instrument cluster	05	1	I249
(1)	987 641 106 12	instrument cluster	06	1	I249
(1) N	987 641 106 21	instrument cluster	07	1	I249
1 A	987 641 107 05	instrument cluster	05	1	(GB) I480/ I481
1	987 641 107 12	instrument cluster	05	1	(GB) I480/ I481
1	987 641 107 20	instrument cluster	06	1	(GB) I480/ I481
1 N	987 641 107 21	instrument cluster	07	1	(GB) I480/ I481
(1) A	987 641 108 05	instrument cluster	05	1	(GB) I249
(1)	987 641 108 10	instrument cluster	05	1	(GB) I249
(1)	987 641 108 12	instrument cluster	06	1	(GB) I249
(1) N	987 641 108 21	instrument cluster complete	07	1	(GB) I249
	D07	volcano grey			
		B O X S T E R S			
(1) A	987 641 115 05	instrument cluster complete	05	1	I480
	D07	volcano grey			
(1)	987 641 115 12	instrument cluster complete	05	1	I480
	D07	volcano grey			
(1)	987 641 115 20	instrument cluster complete	06	1	I480

Model	Year	MG	SG	Illustration	Restrictions	Update	8:01	25.08.2006	PORSCHE	PET	PORSCHE
987	07	9	06	906-01		203					

Pos	Part Number	Name	Remarks	Qty	Model	Pos	Part Number	Name	Remarks	Qty	Model
	D07	volcano grey				2	997 641 911 00	knob actuator tripmeter and clock		1	
(1) N	987 641 115 21	instrument cluster complete	07	1	I480						
	D07	volcano grey				3	999 073 339 09	oval-head screw 4,2 X 19		2	
(1)	987 641 116 05	instrument cluster complete	05	1	I249						
	D07	volcano grey				4	999 507 403 02	u-clamp 12,5		2	
(1)	987 641 116 12	instrument cluster complete	06	1	I249			stopwatch			
	D07	volcano grey				5	987 641 301 10	stopwatch	05	1	BOXSTER/ I025/639/640
(1) N	987 641 116 21	instrument cluster complete	07	1	I249		V05	galvano silver			
	D07	volcano grey				5 N	987 641 301 20	stopwatch	06-	1	BOXSTER/ I025/639/640
1 A	987 641 117 05	instrument cluster complete	05	1	(GB) I480		V05	galvano silver			
	D07	volcano grey				(5)	987 641 311 10	stopwatch	05	1	BOXSTER S/ I026/639/640
1	987 641 117 10	instrument cluster complete	05	1	(GB) I480		V05	galvano silver			
	D07	volcano grey				(5) N	987 641 311 20	stopwatch	06-	1	BOXSTER S/ I026/639/640
1	987 641 117 12	instrument cluster complete	06	1	(GB) I480		V05	galvano silver			
	D07	volcano grey						- - - E N D - - -			
1 N	987 641 117 21	instrument cluster complete	07	1	(GB) I480						
	D07	volcano grey									
(1)	987 641 118 05	instrument cluster complete	05	1	(GB) I249						
	D07	volcano grey									
(1)	987 641 118 12	instrument cluster complete	06	1	(GB) I249						
	D07	volcano grey									
(1) N	987 641 118 21	instrument cluster complete	07	1	(GB) I249						
	D07	volcano grey									

Model	Year	MG	SG	Illustration	Restrictions	Update	8:01	25.08.2006	PORSCHE	PET	PORSCHE
987	07	9	06	906-02		203					



Pos	Part Number	Name	Remarks	Qty	Model
		instruments exclusive programme B O X S T E R			
1	987 641 980 05	instrument cluster complete dial lacquered	05	1	I480/I481
	5Z1	sand beige			IXFD
	8X8	terracotta			IXFE
	T13	brown/natural			IXFF
	84A	guards red			IXFG
	12H	speed yellow			IXFH
	B9A	carrara white			IXFJ
1	987 641 980 25	instrument cluster complete dial lacquered	06-	1	I480/I481
	5Z1	sand beige			IXFD
	8X8	terracotta			IXFE
	T13	brown/natural			IXFF
	84A	guards red			IXFG
	12H	speed yellow			IXFH
	B9A	carrara white			IXFJ
(1)	987 641 980 06	instrument cluster complete dial lacquered	05	1	I249
	5Z1	sand beige			IXFD
	8X8	terracotta			IXFE
	T13	brown/natural			IXFF
	84A	guards red			IXFG
	12H	speed yellow			IXFH
	B9A	carrara white			IXFJ

Model	Year	MG	SG	Illustration	Restrictions	Update	8:01	25.08.2006	PORSCHE	PET	PORSCHE
987	07	9	06	906-02		203					

Pos	Part Number	Name	Remarks	Qty	Model	Pos	Part Number	Name	Remarks	Qty	Model
(1)	987 641 980 26	instrument cluster complete dial lacquered	06-	1	I249		5Z1	sand beige			IXFD
		5Z1 sand beige			IXFD		8X8	terracotta			IXFE
		8X8 terracotta			IXFE		T13	brown/natural			IXFF
		T13 brown/natural			IXFF		84A	guards red			IXFG
		84A guards red			IXFG		12H	speed yellow			IXFH
		12H speed yellow			IXFH		B9A	carrara white			IXFJ
		B9A carrara white			IXFJ	(1)	987 641 980 28	instrument cluster complete dial lacquered	06-	1	(GB) I249
(1)	987 641 980 07	instrument cluster complete dial lacquered	05	1	(GB) I480/ I481		5Z1	sand beige			IXFD
		5Z1 sand beige			IXFD		8X8	terracotta			IXFE
		8X8 terracotta			IXFE		T13	brown/natural			IXFF
		T13 brown/natural			IXFF		84A	guards red			IXFG
		84A guards red			IXFG		12H	speed yellow			IXFH
		12H speed yellow			IXFH		B9A	carrara white			IXFJ
		B9A carrara white			IXFJ			B O X S T E R S			
(1)	987 641 980 27	instrument cluster complete dial lacquered	06-	1	(GB) I480/ I481	(1)	987 641 980 15	instrument cluster complete dial lacquered	05	1	I480
		5Z1 sand beige			IXFD		5Z1	sand beige			IXFD
		8X8 terracotta			IXFE		8X8	terracotta			IXFE
		T13 brown/natural			IXFF		T13	brown/natural			IXFF
		84A guards red			IXFG		84A	guards red			IXFG
		12H speed yellow			IXFH		12H	speed yellow			IXFH
		B9A carrara white			IXFJ		B9A	carrara white			IXFJ
(1)	987 641 980 08	instrument cluster complete dial lacquered	05	1	(GB) I249	(1)	987 641 980 35	instrument cluster complete dial lacquered	06-	1	I480
		5Z1 sand beige			IXFD		5Z1	sand beige			IXFD
		8X8 terracotta			IXFE		8X8	terracotta			IXFE
		T13 brown/natural			IXFF		T13	brown/natural			IXFF

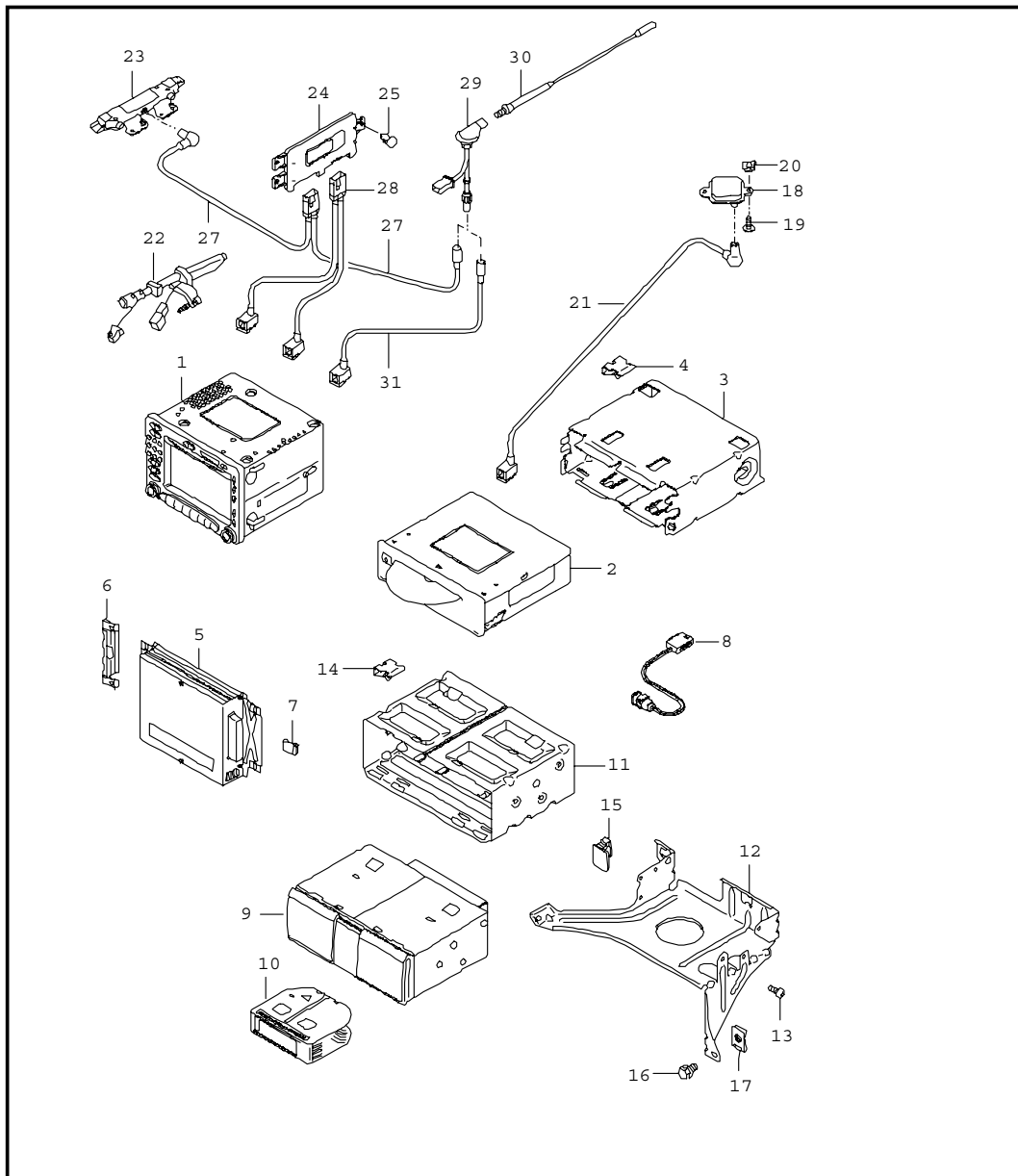
Model	Year	MG	SG	Illustration	Restrictions	Update	8:01	25.08.2006	PORSCHE	PET	PORSCHE
987	07	9	06	906-02		203					

Pos	Part Number	Name	Remarks	Qty	Model	Pos	Part Number	Name	Remarks	Qty	Model
	84A	guards red			IXFG	(1)	987 641 980 37	instrument cluster complete dial lacquered	06-	1	(GB) I480
	12H	speed yellow			IXFH						
	B9A	carrara white			IXFJ						
(1)	987 641 980 16	instrument cluster complete dial lacquered	05	1	I249		5Z1	sand beige			IXFD
	5Z1	sand beige			IXFD		8X8	terracotta			IXFE
	8X8	terracotta			IXFE		T13	brown/natural			IXFF
	T13	brown/natural			IXFF		84A	guards red			IXFG
	84A	guards red			IXFG		12H	speed yellow			IXFH
	12H	speed yellow			IXFH		B9A	carrara white			IXFJ
	B9A	carrara white			IXFJ	(1)	987 641 980 18	instrument cluster complete dial lacquered	05	1	(GB) I249
(1)	987 641 980 36	instrument cluster complete dial lacquered	06-	1	I249		5Z1	sand beige			IXFD
	5Z1	sand beige			IXFD		8X8	terracotta			IXFE
	8X8	terracotta			IXFE		T13	brown/natural			IXFF
	T13	brown/natural			IXFF		84A	guards red			IXFG
	84A	guards red			IXFG	(1)	987 641 980 38	instrument cluster complete dial lacquered	06-	1	(GB) I249
	12H	speed yellow			IXFH		5Z1	sand beige			IXFD
	B9A	carrara white			IXFJ		8X8	terracotta			IXFE
(1)	987 641 980 17	instrument cluster complete dial lacquered	05	1	(GB) I480		T13	brown/natural			IXFF
	5Z1	sand beige			IXFD		84A	guards red			IXFG
	8X8	terracotta			IXFE		12H	speed yellow			IXFH
	T13	brown/natural			IXFF		B9A	carrara white			IXFJ
	84A	guards red			IXFG	2	997 641 911 00	knob actuator tripmeter and clock		1	
	12H	speed yellow			IXFH						
	B9A	carrara white			IXFJ						

Model	Year	MG	SG	Illustration	Restrictions	Update	8:01	25.08.2006	PORSCHE	PET	PORSCHE
987	07	9	06	906-02		203					

Pos	Part Number	Name	Remarks	Qty	Model	Pos	Part Number	Name	Remarks	Qty	Model
3	999 073 339 09	oval-head screw 4,2 X 19		2							
4	999 507 403 02	u-clamp		2							
- - - E N D - - -											

Model	Year	MG	SG	Illustration	Restrictions	Update	8:01	25.08.2006	PORSCHE	PET	PORSCHE
987	07	9	11	911-00		203					



Pos	Part Number	Name	Remarks	Qty	Model
1	A 997 642 101 06	radio booster navigation system radio see catalogue TEQUIPMENT		1	I665
(1)	> 997 642 103 06	control part FMH volcano grey/black mat F >>985S7 00061 F >>985U7 00847 F >>985U7 20253 see technical information GR. 9 , NR. 1/04		1	I665/680
1	> 997 642 101 11	control part FMH volcano grey/black mat F >>985S7 00061 F >>985U7 00273 F >>985S7 20299 see technical information GR. 9 , NR. 1/04		1	I665
(1)	> 997 642 103 11	control part FMH volcano grey/black mat F 985S7 00062>>985S7 20584 F 985U7 00274>>985U7 02718 F 985U7 20300>>985U7 22919		1	I665/680
1	> 997 642 141 02	control part FMH volcano grey/black mat F 985S7 20585>> F 985U7 02719>>986U7 04749 F 985U7 22920>>986U7 23352 see technical information GR. 9 , NR. 20/05		1	I665
1	> 997 642 143 02	control part FMH volcano grey/black mat F 985S7 20585>> F 985U7 02719>>986U7 04749 F 985U7 22920>>986U7 23352 see technical information GR. 9 , NR. 20/05		1	I665/680

Model	Year	MG	SG	Illustration	Restrictions	Update	8:01	25.08.2006	PORSCHE	PET	PORSCHE
987	07	9	11	911-00		203					

Pos	Part Number	Name	Remarks	Qty	Model	Pos	Part Number	Name	Remarks	Qty	Model
1	N 997 642 141 10	control part		1	I665	-	A 997 642 235 02	dvd navigation system F >>985U7 20253 F >>985S7 00061		1	I610
	FMH	volcano grey/black mat F 986U7 04750>> F 986U7 23353>>									
1	N 997 642 143 10	control part		1	I665/680	-	A 997 642 239 02	dvd navigation system F >>985U7 20253 F >>985S7 00061		1	I611
	FMH	volcano grey/black mat F 986U7 04750>> F 986U7 23353>>									
-	997 642 201 00	rotary knob	/L	1		-	A 997 642 241 02	dvd navigation system F >>985U7 20253 F >>985S7 00061		1	I612
	A05	black mat for control part				-	997 642 243 02	dvd navigation system F >>985U7 20253 F >>985S7 00061		1	I613
-	997 642 202 00	rotary knob	/R	1		-	997 642 245 02	dvd navigation system F >>985U7 20253 F >>985S7 00061		1	I614
	A05	black mat for control part									
-	900 187 038 02	tapping screw ST 4,2 X 19 for mount radio and control part centre console		1		-	997 642 235 03	dvd navigation system F 985U7 20254>>985U7 22919 F >>985U7 02718 F 985S7 00062>>985S7 20584		1	I610
2	A 997 642 135 03	dvd device navigation system F >>985U7 20253 F >>985S7 00061		1	I670	-	997 642 239 03	dvd navigation system F 985U7 20254>>985U7 22919 F >>985U7 02718 F 985S7 00062>>985S7 20584		1	I611
2	> 997 642 135 04	dvd device navigation system F >>985S7 20584 F >>985U7 02718 F >>985U7 22919		1	I670	-	997 642 241 03	dvd navigation system F 985U7 20254>>985U7 22919 F >>985U7 02718 F 985S7 00062>>985S7 20584		1	I612
2	> 997 642 137 02	dvd device navigation system F 985S7 20585>> F 985U7 02719>>986U7 04749 F 985U7 22920>>986U7 23352		1	I670/672	-	997 642 243 03	dvd navigation system F 985U7 20254>>985U7 22919 F >>985U7 02718 F 985S7 00062>>985S7 20584		1	I613
2	N 997 642 157 00	dvd device navigation system F 986U7 04750>> F 986U7 23353>>		1	I670/672	-	997 642 245 03	dvd navigation system F 985U7 20254>>985U7 22919 F >>985U7 02718 F 985S7 00062>>985S7 20584		1	I614

Model	Year	MG	SG	Illustration	Restrictions	Update	8:01	25.08.2006	PORSCHE	PET	PORSCHE
987	07	9	11	911-00		203					

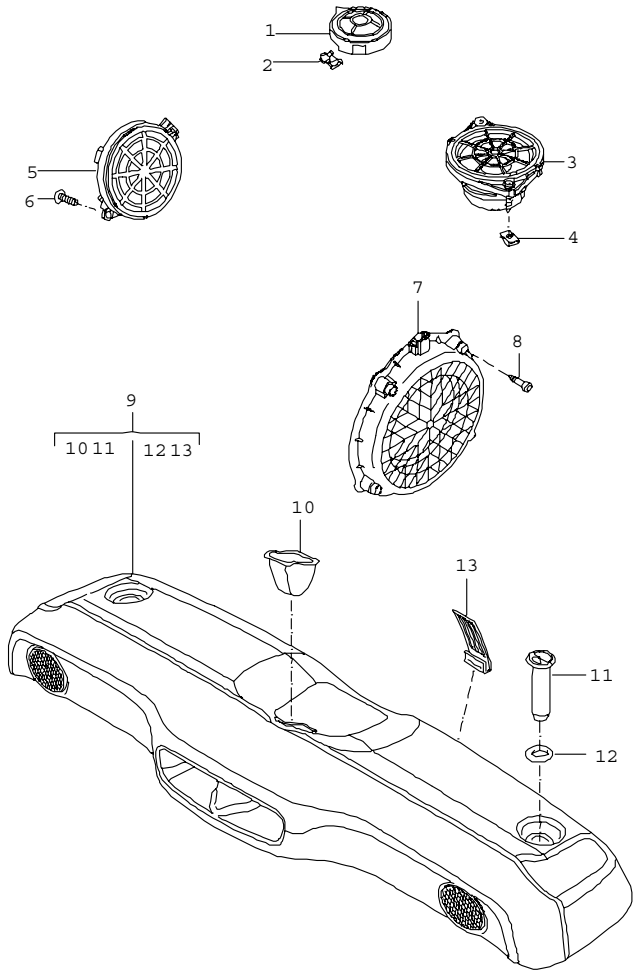
Pos	Part Number	Name	Remarks	Qty	Model	Pos	Part Number	Name	Remarks	Qty	Model
-	997 642 255 03	dvd navigation system F 985U7 22920>>986U7 23352 F 985U7 02719>>986U7 04749 F 985S7 20585>>		1	I610	- N	997 642 267 03	dvd navigation system F 986U7 04750>> F 986U7 23353>>		1	I616
-	997 642 259 02	dvd navigation system F 985U7 22920>>986U7 23352 F 985U7 02719>>986U7 04749 F 985S7 20585>>		1	I611	-	997 642 148 02	cd-rom logbook	06-	1	I641
-	997 642 261 02	dvd navigation system F 985U7 22920>>986U7 23352 F 985U7 02719>>986U7 04749 F 985S7 20585>>		1	I612	3	997 642 231 00	support dvd device		1	I670/672
-	997 642 263 02	dvd navigation system F 985U7 22920>>986U7 23352 F 985U7 02719>>986U7 04749 F 985S7 20585>>		1	I613	4	997 645 342 01	u-clamp		4	
-	997 642 265 02	dvd navigation system F 985U7 22920>>986U7 23352 F 985U7 02719>>986U7 04749 F 985S7 20585>>		1	I614	5	987 645 331 01	booster		1	I490
- N	997 642 255 04	dvd navigation system F 986U7 04750>> F 986U7 23353>>		1	I610	(5)	997 645 333 06	booster F >>985S7 00061 F >>985U7 00273 F >>985U7 20299 see technical information GR. 9 , NR. 1/04 GR. 9 , NR. 8/04		1	I680 BOXSTER BOXSTER BOXSTER S
- N	997 642 259 03	dvd navigation system F 986U7 04750>> F 986U7 23353>>		1	I611	(5)	997 645 334 22	booster note coding F 985S7 00062>> F 985U7 00274>> F 985U7 20300>>	05	1	I680 BOXSTER BOXSTER BOXSTER S
- N	997 642 261 03	dvd navigation system F 986U7 04750>> F 986U7 23353>>		1	I612	(5)	997 645 334 32	booster note coding	06	1	I680
- N	997 642 263 03	dvd navigation system F 986U7 04750>> F 986U7 23353>>		1	I613	(5) P	997 645 334 33	booster note coding	07	1	I680
- N	997 642 265 04	dvd navigation system F 986U7 04750>> F 986U7 23353>>		1	I614	6	997 645 340 00	clamp		1	I490/680
						7	999 507 532 02	u-clamp		2	I490/680
						8	997 646 307 02	microphone		1	I680
						(8)	997 646 307 01	microphone		1	I618/666/680
						-	997 610 233 00	cable guide microphone		1	
						9 >	997 645 140 02	cd changer	05	1	I692
						9 >	997 645 140 03	cd changer CDC 4 adjustment installation attention	06-	1	I692
						10	996 645 113 00	rack cd changer		1	I692
						11	997 645 222 00	support		1	I692

Model	Year	MG	SG	Illustration	Restrictions	Update	8:01	25.08.2006	PORSCHE	PET	PORSCHE
987	07	9	11	911-00		203					

Pos	Part Number	Name	Remarks	Qty	Model	Pos	Part Number	Name	Remarks	Qty	Model
12	997 645 221 00	support		1	I664/692	(27)	997 612 056 00	connecting line antenna booster control unit	/RL	1	I099/665
13	N 014 128 13	oval-head screw M 5 X 8		6	I692	(27)	997 612 062 50	connecting line antenna booster control unit		1	I461/694
14	997 645 342 01	u-clamp		4	I692	(28)	997 612 058 00	connecting line control unit control part or radio		1	I665/694
15	999 703 501 40	fastening part		2	I664/692						
16	900 378 179 09	hexagon-head bolt M 6 X 16		2	I664/692						
17	999 507 766 02	speed nut M 6		2	I664/692						
18	997 642 105 00	antenna GPS		1	I670/672	29	997 647 221 00	antenna base		1	I461
19	999 073 210 00	tapping screw 4,8 X 13		1	I670/672	30	997 647 223 00	antenna rod		1	I461
20	999 507 441 02	speed nut 4,8		1	I670/672	31	997 612 068 00	connecting line antenna base radio	/LL	1	I098/461/694
21	997 612 060 25	connecting line antenna dvd device navigation system		1	I670/672	(31)	997 612 068 50	connecting line antenna base radio	/RL	1	I099/461/694
22	986 647 105 00	antenna booster radio	05	1	I441						
22	987 647 105 00	antenna booster radio	06-	1	I441						
-	987 612 052 50	connecting line antenna booster radio		1	I441/694						
23	997 647 117 00	antenna booster	/L	1	I440						
(23)	997 647 118 00	antenna booster	/R	1	I440						
24	997 647 124 00	control unit		1	I440						
25	999 591 904 40	fastening part		2	I440						
27	997 612 066 00	connecting line antenna booster control unit	/LL	1	I098/461/665						
(27)	997 612 066 50	connecting line antenna booster control unit	/RL	1	I099/461/665						
(27)	997 612 055 00	connecting line antenna booster control unit	/LL	1	I098/665						

- - - E N D - - -

Model	Year	MG	SG	Illustration	Restrictions	Update	8:02	25.08.2006	PORSCHE	PET	PORSCHE
987	07	9	11	911-05		203					

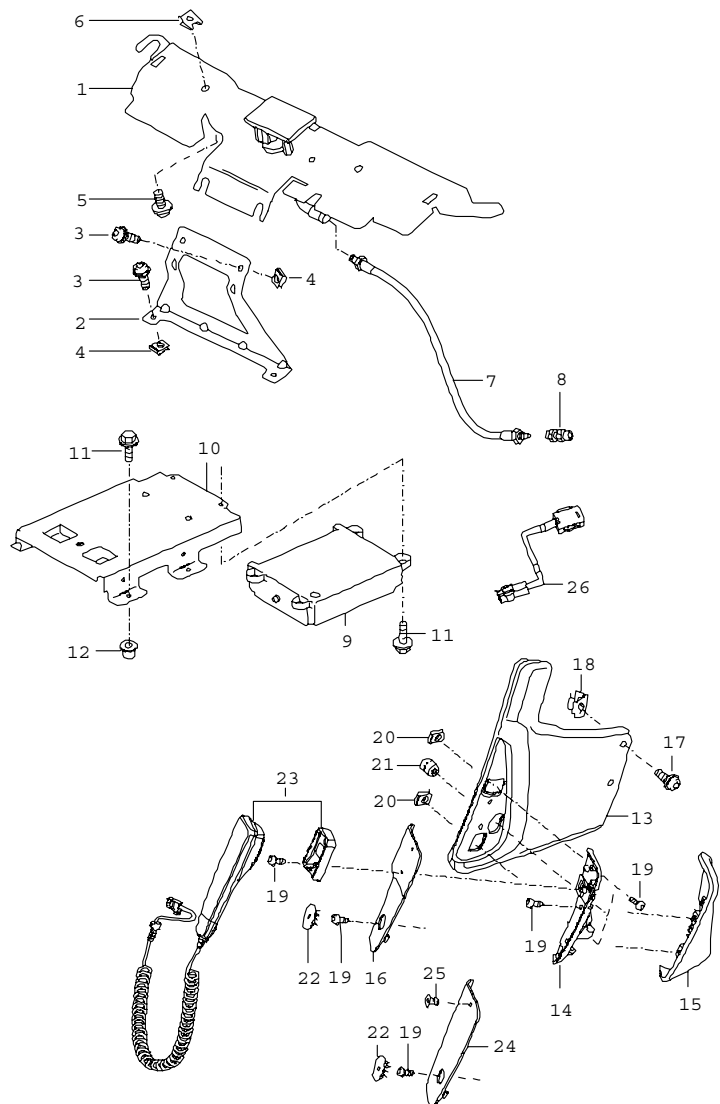


Pos	Part Number	Name	Remarks	Qty	Model
		loudspeaker			
1	997 645 021 00	tweeter dashboard		2	I441/490
(1)	997 645 025 00	tweeter dashboard		2	I680
2	999 591 303 01	u-clamp		4	
3	997 645 033 00	loudspeaker dashboard centre		1	I490
(3)	997 645 035 00	loudspeaker dashboard centre		1	I680
4	999 507 971 01	speed nut 4,2		4	
5	997 645 543 00	mid-range loudspeaker door		2	I490
(5)	997 645 545 00	mid-range loudspeaker door		2	I680
6	999 919 164 09	oval-head screw 5,0 X 12		4	
7	997 645 551 00	woofer		2	I441
(7)	997 645 553 00	woofer		2	I490
(7)	997 645 555 00	woofer		2	I680
8	N 014 743 2	pan-head screw M 6 X 30		8	
-	997 645 511 00	logo		2	I680
9	987 645 564 01	subwoofer		1	I680
	A10	black			
	B10	stone grey			
	T10	sand beige			
	E10	sea blue			
	J10	palmgreen			
	M10	terracotta			
	R10	cocoa			
	D11	dark grey/natural			

Model	Year	MG	SG	Illustration	Restrictions	Update	8:02	25.08.2006	PORSCHE	PET	PORSCHE
987	07	9	11	911-05		203					

Pos	Part Number	Name	Remarks	Qty	Model	Pos	Part Number	Name	Remarks	Qty	Model
	T11	brown/natural									
10	986 551 427 00	rose		1	I680						
	01C	satin black for subwoofer 987 645 564 00 ... F >>985S7 00089 F >>985S7 20072 F >>985U7 21685									
10	987 551 427 00	rose		1	I680						
	01C	satin black for subwoofer 987 645 564 01 ... F 985S7 00090>> F 985S7 20073>> F 985U7 21686>>									
11	986 551 429 00	catch		2	I680						
	01C	satin black									
12	986 551 543 00	thrust washer		2	I680						
	01C	satin black									
		- - - E N D - - -									

Model	Year	MG	SG	Illustration	Restrictions	Update	8:02	25.08.2006	PORSCHE	PET	PORSCHE
987	07	9	11	911-10		203					



Pos	Part Number	Name	Remarks	Qty	Model
		telephone			I618/I666
1	997 647 125 01	antenna	/LL	1	I098
(1)	997 647 126 01	antenna	/RL	1	I099
2	997 647 127 00	support	/LL	1	I098
(2)	997 647 128 00	support	/RL	1	I099
3	999 073 236 0A	oval-head screw M 6 X 10		4	
4	999 507 550 0A	speed nut M 6		4	
5	999 073 210 00	tapping screw 4,8 X 13		2	
6	999 507 441 02	speed nut 4,8		2	
7	997 612 061 00	connecting line		1	I618
(7)	997 612 065 00	connecting line for control unit 997.646.207.02		1	I666
(7)	997 612 065 05	connecting line for control unit 997.646.208.04/13		1	I666
(7)	997 612 989 00	connecting line adapter for connecting line 997.612.065.00 to control unit 997.646.208.04/13		1	I666
8	964 646 318 00	adapter plug		1	I618
9 A	997 646 207 02	control unit telephone F >>985U7 20253 F >>985S7 00061 see technical information GR. 9 , NR. 14/05		1	I666

Model	Year	MG	SG	Illustration	Restrictions	Update	8:02	25.08.2006	PORSCHE	PET	PORSCHE
987	07	9	11	911-10		203					

Pos	Part Number	Name	Remarks	Qty	Model	Pos	Part Number	Name	Remarks	Qty	Model
9	A 997 646 208 04	control unit telephone F 985U7 20254>>985U7 22919 F >>985U7 02718 F 985S7 00062>>985S7 20584 see technical information GR. 9 , NR. 14/05 when required order also:		1	I666	13	P 997 553 118 07	cover lateral	/LL 06-	1	I098
-	997 612 989 00	connecting line adapter		1			FSA	black/grey			
9	> 997 646 208 13	control unit telephone F 985U7 22920>>986U7 23352 F 985U7 02719>>986U7 04749 F 985S7 20585>> see technical information GR. 9 , NR. 14/05 when required order also:		1	I666		FSB	stone grey/stone grey			
-	997 612 989 00	connecting line adapter		1		(13)	FSC	sand beige/sand beige			
9	N 997 646 209 00	control unit telephone F 986U7 23353>> F 986U7 04750>>		1	I666		FSD	seeblue/grey	/RL 05	1	I099
10	997 642 216 00	support		1	I618/666		FSE	palm-green/palm-green			
11	900 378 035 09	hexagon-head bolt M 6 X 16		4	I618/666		FSF	terrakotta/terrakotta			
12	999 500 078 00	sheetmetal press nut M 6		2	I618/666		FSG	cocoa/cocoa			
13	997 553 118 04	cover lateral	/LL 05	1	I098		FSH	darkgrey natural/grey			
		FSA					FSJ	brown nat./brown nat.			
		FSB				(13)	P 997 553 117 07	cover lateral	/RL 06-	1	I099
		FSC					FSA	black/grey			
		FSD					FSB	stone grey/stone grey			
		FSE					FSC	sand beige/sand beige			
		FSF					FSD	seeblue/grey			
		FSG					FSE	palm-green/palm-green			
		FSH					FSF	terrakotta/terrakotta			
		FSJ					FSG	cocoa/cocoa			

Model	Year	MG	SG	Illustration	Restrictions	Update	8:02	25.08.2006	PORSCHE	PET	PORSCHE
987	07	9	11	911-10		203					

Pos	Part Number	Name	Remarks	Qty	Model	Pos	Part Number	Name	Remarks	Qty	Model
	FSH	darkgrey natural/grey				18	999 591 508 02	captive nut 4,2		2	
	FSJ	brown nat./brown nat.				19	999 073 155 09	tapping screw 4,2 X 13		7	
14	997 553 520 00	adapter	/LL	1	I098	20	999 507 971 01	speed nut 4,2		2	
(14)	997 553 519 00	adapter	/RL	1	I099	21	999 507 645 02	threaded piece 4,2		1	
15	997 553 418 01	cover	/LL	1	I098	22	997 553 751 00	cap		1	
	A11	black					01C	satin black			
	5X6	stone grey				23 A	996 642 212 01	receiver		1	I668
	8G2	sand beige				23	996 642 212 02	receiver telephone		1	I668
	3S9	sea blue				24	997 553 522 01	plate	/LL	1	I098/618
	4P2	palmgreen					01C	satin black			
	9S5	terracotta				(24)	997 553 521 01	plate	/RL	1	I099/618
	9V6	cocoa					01C	satin black			
(15)	997 553 417 01	cover	/RL	1	I099	25	999 919 230 00	countersunk-head screw 3 X 10		1	I618
	A11	black				26	997 646 307 00	microphone		1	I618/I666
	5X6	stone grey				(26)	997 646 307 01	microphone		1	I618/666/680
	8G2	sand beige				-	997 610 233 00	cable guide microphone		1	
	3S9	sea blue						- - - E N D - - -			
	4P2	palmgreen									
	9S5	terracotta									
	9V6	cocoa									
	D12	dark grey/natural									
	T12	brown/natural									
16	997 553 522 00	plate	/LL	1	I098/668						
	01C	satin black									
(16)	997 553 521 00	plate	/RL	1	I099/668						
	01C	satin black									
17	999 073 226 09	tapping screw 4,2 X 16		2							

MXI KAT27

KAT.	M-X-I-NR	BENENNUNG-Deutsch DESCRIPTION-Engl ish
27	I XAF	Aerokit Turbo Turbo aerokit
27	I XAG	Carrera - Heckspoiler Carrera - rear spoiler
27	I XAH	Aerokit Carrera 4S Carrera 4S aerokit
27	I XAJ	Schwellerblenden lackiert Painted sill covers
27	I XCA	Nutleiste (3-teilig) Sportsilber Dashboard trim strip (3-part) sports seats
27	I XCB	Instrumentenabdeckung Unterteil Sportsilber Instrument surround sports seats
27	I XCC	Seitendüsen Sportsilber Side air vents sports seats
27	I XCD	Mitteldüsenträger Sportsilber Center air vent bracket sports seats
27	I XCE	Mittelkonsole hinten Sportsilber Rear center console sports seats
27	I XCG	Sportsitzrückenlehne Alu-Optik Sports seat backrest in Alumin ium-Look fi ni sh
27	I XCH	Seiten-/Mitteldüsenlamellen Sportsilber Side/center air vent slats sport seats
27	I XCK	Mittelkonsole hinten Galvanosilber Rear center console in Galvano Silver
27	I XCL	Instrumentenabdeckung Unterteil Galvanosilber Instrument surround in Galvano Silver
27	I XCM	Überrollbügel in Galvanosilber Roll-over bar in Galvano Silver
27	I XCN	Seitendüsen in Alu-Optik (997) Side air vents in Alumin ium-Look fi ni sh (997)
27	I XCY	Mitteldüse Alu-Optik Center air vent in Alumin ium-Look fi ni sh
27	I XCZ	Schalwegverkürzung Switch travel shortening
27	I XEA	Passivhörer in Leder Passive handset in leather
27	I XE8	Schaltnopf Alu/Wurzelholz Dunkel/Leder Gear lever knob alumin ium/dark burr maple/leather
27	I XE9	Handbremshebel Alu/Wurzelholz Dunkel/Leder Handbrake lever alumin ium/dark burr maple/leather
27	I XFD	Instrumenten-Zifferblatt lackiert in sandbeige Instrument dials in sand beige
27	I XFE	Instrumenten-Zifferblatt lackiert in terrakotta Instrument dials in terrakotta
27	I XFF	Instrumenten-Zifferblatt lackiert in braun/natur Instrument dials in brown/natural
27	I XFG	Instrumenten-Zifferblatt lackiert in indischrot Instrument dials in guards red
27	I XFH	Instrumenten-Zifferblatt lackiert in speedgelb Instrument dials in speed yellow
27	I XFJ	Instrumenten-Zifferblatt lackiert in carraraweiß Instrument dials in carrara white
27	I XJL	Luftseitendüse Makassar Macassar side air vent
27	I XJM	Luftseitendüse Platane Sycamore side air vent
27	I XJN	Mitteldüse Makassar Macassar center air vent
27	I XJP	Mitteldüse Platane Sycamore center air vent
27	I XJR	Defrosterblende Makassar Macassar windscreen defroster panel

MXI KAT27

27	I XJS	Defrosterblende Platane Sycamore windscreen defroster panel
27	I XJT	Mittelkonsole hinten Makassar Macassar rear center console
27	I XJU	Mittelkonsole hinten Platane Sycamore rear center console
27	I XJ4	Rosette für Zündschloss Lederbezogen Leather cover for ignition lock surround
27	I XKB	Luftseitendüse Wurzelholz/Ahorn hell Side air vent in light burr maple
27	I XKC	Luftseitendüse Wurzelholz/Ahorn dunkel Side air vent in dark burr maple
27	I XKG	Defrosterblende Wurzelholz/Ahorn hell, Leder "Windscr. defr. panel in light burr maple; leather"
27	I XKH	Defrosterblende Wurzelholz/Ahorn dunkel, Leder "Windscr. defr. panel in dark burr maple; leather"
27	I XKJ	Defrosterblende Carbon/Leder Defroster trim in carbon/leather
27	I XKL	Lautsprecherabdeckungen in Leder Leather speaker covers
27	I XKM	Lautsprecherabdeckungen Wurzelholz/Ahorn hell Speaker covers in light burr maple
27	I XKN	Lautsprecherabdeckungen Wurzelholz/Ahorn dunkel Speaker covers in dark burr maple
27	I XKP	Lautsprecherabdeckungen in Carbon Carbon speaker covers
27	I XKR	Mitteldüsenträger Wurzelholz/Ahorn hell Center air vent bracket in light burr maple
27	I XKS	Mitteldüsenträger Wurzelholz/Ahorn dunkel Center air vent bracket in dark burr maple
27	I XLA	Boxster-Endrohr Boxster tail pipe
27	I XLF	Sportabgasanlage Sports exhaust system
27	I XME	Mittelkonsole hinten lackiert Rear section of centre console painted
27	I XMF	Mittelkonsole vorn inklusive 2 Ablagen, Leder Front center console incl. 2 storage bins, leather
27	I XMJ	Mittelkonsole hinten Carbon Rear section of centre console in carbon
27	I XMK	Überrollbügel in Exterieurfarbe Roll-over bar in exterior color
27	I XML	Mittelkonsole hinten Wurzelholz Ahorn hell Rear center console in light burr maple
27	I XMP	Sonnenblende Leder, 2 Make-up-Spiegel beleuchtet Leather sun visor, 2 lit make-up mirrors illuminated
27	I XMR	Sonnenblende Leder, 2 Make-Up-Spiegel beleuchtet Leder Sun visor in leather, 2 illuminated vanity mirrors,
27	I XMZ	Mittelkonsole hinten Leder Rear section of centre console in leather
27	I XNB	Mittelkonsole hinten Wurzelholz Ahorn dunkel Rear center console in dark burr maple
27	I XNG	Instrumentenabdeckung Unterteil Leder Instrument surround in leather
27	I XNN	Mitteldüsenträger in Leder Center air vent bracket in leather
27	I XNR	Mitteldüsenträger Carbon Carbon center air vent bracket
27	I XNS	Lenkstock-Verkleidung 4-teilig Leder Leather steering column trim, 4-part
27	I XNU	Zierleiste (Nut) in Leder Leather trim strip (dashboard)
27	I XNV	Zierleiste (Nut) Wurzelholz/Ahorn hell Trim strip (dashboard) in light burr maple
27	I XNW	Zierleiste (Nut) Wurzelholz/Ahorn dunkel Trim strip (dashboard) in dark burr maple

MXI KAT27

27	I XNX	Zierleiste (Nut) in Carbon Carbon trim strip (dashboard)
27	I XPA	3-Speichen Sportlenkrad, Leder Interieurfarbe 3-spoke sports steering wheel in leather interior color
27	I XPB	3-Speichen Sportlenkrad, Wurzelholz/Ahorn hell, Leder 3-spoke sports steering wheel, light burr maple, leather
27	I XPC	3-Speichen Sportlenkrad, Wurzelholz/Ahorn dunkel, Leder 3-spoke sports steering wheel, dark burr maple, leather
27	I XPD	3-Speichen Sportlenkrad, Carbon/Leder 3-spoke sports steering wheel, carbon/leather
27	I XPG	3-Speichen Sportlenkrad, Sportsilber 3-spoke sports steering wheel, sports seats
27	I XPV	Multi-funktions-Lenkrad Galvanosilber Multi-function steering wheel rim, Galvano Silver
27	I XPW	Instrumentenabdeckung Unterteil Wurzelholz/Ahorn, Hell Instrument surround in light burr maple
27	I XPX	Instrumentenabdeckung Unterteil Wurzelholz/Ahorn Dunkel Instrument surround in dark burr maple dark
27	I XPY	Instrumentenabdeckung Unterteil Carbon Carbon instrument surround
27	I XRB	Sport-Classic-2 Rad 18" 18" Sport Classic II wheel
27	I XRC	Sport-Techno Rad 18" 18" SportTechno wheel
27	I XRL	Sport-Design-Rad 18" 18" SportDesign wheel
27	I XRN	Distanzscheiben 17 mm, hinten 17-mm spacers, rear
27	I XRP	Distanzscheiben 5 mm, vorn/hinten 5-mm spacers, front/rear
27	I XRR	Carrera Sport Rad 19" 19-in. Carrera Sport wheel
27	I XSA	Sportsitzrückenlehne lackiert Painted sports seat backrest
27	I XSB	Sportsitzrückenlehne in Leder Leather sports seat backrest
27	I XSC	Porsche Wappen geprägt in Kopfstütze Porsche crest embossed in headrest
27	I XSD	Sitzbedienelemente in Leder Front seat controls in leather
27	I XSE	Schalensitz links Bucket seat, left
27	I XSF	Schalensitz rechts Bucket seat, right
27	I XSG	Rennschalensitz links Racing bucket seat, left
27	I XSH	Sicherheitsgurte in Silber Silver safety belts
27	I XSJ	6-Punkt-Gurte 6-point harness
27	I XSL	6-Punkt-Sicherheitsbügel 6-point safety catch
27	I XSM	Rennsport-Sicherheitskäfig Racing safety cage
27	I XSN	Entfall hintere Sitzanlage Omission of rear seats
27	I XSR	Schalensitz rechts, Rückseite Carbon Carbon back for bucket seat, right
27	I XSS	Schalensitz links, Rückseite Carbon Carbon back for bucket seat, left
27	I XSU	Abgepolsterter Sitz Upholstered seat

MXI KAT27

27	I XSW	Sicherheitsgurte in Maritimblau Maritime Blue safety belts
27	I XTG	Schwellerabdeckung innen Leder Inner door sills in leather
27	I XTJ	Türtafelteile Wurzelholz/Ahorn hell Door panel parts in light burr maple
27	I XTK	Türtafelteile Wurzelholz/Ahorn dunkel Door panel parts in dark burr maple
27	I XTL	Türtafelteile Carbon Door features in carbon
27	I XTR	Türtafelteile Alu-Optik Door panel parts in aluminum-look finish
27	I XTT	Türtafelteile Makassar Macassar door panel parts
27	I XTU	Türtafelteile Platane Sycamore door panel parts
27	I XTV	Türtafelteile Leder Leather door panel parts
27	I XTW	Türtafelteile Galvanosilber Door panel parts in galvano silver
27	I XVM	Mitteldüse in Leder Leather center air vent
27	I XVP	Zierleiste inklusive Abdeckung Cupholder in Leder Trim strip including cupholder cover in leather
27	I XVR	Seiten-/Mitteldüsen in Leder Side/center air vent in leather
27	I XV1	Defrosterblende lederbezogen Defroster trim in leather
27	I XXZ	Fussstütze Footrest
27	I XX1	Fussmatten, Schriftzug, Leder eingefasst Floor mats, logo, leather border
27	I XX2	Fussraumbelichtung Illuminated footwell
27	I XY5	Kulisse Tiptronic-Wählhebel in Leder Tiptronic gear selector gate in leather
27	I XZB	Mitteldüse in Carbon Carbon center air vent
27	I XZD	Abdeckung Innenleuchte in Leder Interior light surround in leather
27	I X45	Instrumenten-Zifferblatt lackiert in Interieurfarbe Instrument dial in interior color
27	I X46	Tiptronic-Wählhebel in Alu/Leder Tiptronic selector lever in aluminum/leather
27	I X47	Schaltnopf Carbon/Alu/Leder Gear lever knob in carbon/leather
27	I X48	Tiptronic-Wählhebel in Carbon/Alu Tiptronic selector lever in carbon/aluminum
27	I X50	Leistungssteigerung 331/340 kW Powerkit 331/340 kw
27	I X51	Leistungssteigerung 250 kW Powerkit 250 kw
27	I X54	Edelstahlendrohre Stainless steel tail pipes
27	I X58	Handbremshebel Carb/Alu/Leder Handbrake lever in carbon/leather
27	I X65	Tiptronic-Wählhebel Wurzelholz Hell/Alu Tiptr. sel. lever in light burr maple/aluminum
27	I X66	Tiptronic-Wählhebel Wurzelholz Dunkel/Alu Tiptr. sel. lever in dark burr maple/aluminum
27	I X69	Einsteigsblenden Carbon, Schriftzug Door entry guards in carbon with logo
27	I X70	Einsteigsblenden Edelstahl, Schriftzug Door entry guards in stainless steel with logo
27	I X71	Instrumenten-Zifferblatt Lackiert/Alufarbe Instrument dial painted/aluminum-look finish
27	I X72	Schaltnopf Alu/Wurzelholz Hell/Leder Gear lever knob aluminum/light burr maple/leather

MXI KAT27

27	I X73	Sportfahrwerk Turbo Turbo sports suspension
27	I X74	Sportfahrwerk (exclusiv) Sports suspension (exclusive)
27	I X75	Sperrdifferential (exclusiv) Differential lock (exclusive)
27	I X76	Schwel lerverkleidungen links/rechts Inner door sill guard left/right
27	I X91	Handbremshebel Alu/Wurzelholz Hell/Leder Handbrake lever aluminu m/light burr maple/leather
27	I X97	Schal tknopf Alu/Leder Gear lever knob in aluminu m/leather
27	I X98	Handbremshebel Alu/Leder Handbrake lever in aluminu m/leather
27	I X99	Naturl eder Natural leather
27	I 008	BOXSTER S 3,2 LITER HUBRAUM BOXSTER S 3,2 LITRES DISPLACEMENT
27	I 009	BOXSTER 2,7 LITER HUBRAUM BOXSTER 2,7 LITRES DISPLACEMENT
27	I 024	Gri echenland-Ausführung Version for Greece
27	I 025	Zifferblätter Stoppuhr in schwarz Black-coloured instrument dials, stopwatch
27	I 026	Zifferblätter Stoppuhr in silber Silver -coloured instrument dials, stopwatch
27	I 029	Serienfahrwerk Standard chassis
27	I 030	Sportfahrwerk Sport-type running gear
27	I 032	Langstreckenfahrwerk Touring suspension
27	I 034	Italien - Ausführung Version for Italy
27	I 058	Pralldämpfer vorn und hinten Impact absorbers front and rear
27	I 061	Grossbri tanni en-Ausführung Version for Great Britain
27	I 062	Schweden-ausführung Version for Sweden
27	I 063	Luxemburg-Ausführung Version Luxemburg
27	I 064	Niederlande-Ausführung Version for Netherlands
27	I 065	Dänemark-Ausführung Version for Denmark
27	I 066	Norwegen-Ausführung Version for Norway
27	I 067	Finnland-Ausführung Version for Finland
27	I 068	PAP Rechtslenker-Ausführung PAP right-hand drive version
27	I 069	Sonstige-Länderausführung Other country version
27	I 071	EU-Länderausführung EU country version
27	I 072	Mexico-Ausführung Version for Mexico
27	I 073	Russland-Ausführung Version for Russia
27	I 074	PAP Linkslenker-Ausführung PAP left-hand drive version
27	I 098	Linkslenker-Ausführung Left-hand drive version
27	I 099	Rechtslenker-Ausführung Right-hand drive version
27	I 111	Österreich-Ausführung Version for Austria

MXI KAT27

27	I 113	Kanada - Ausführung Version for Canada
27	I 114	Tai wan - Ausführung Version for Tai wan
27	I 119	Spanien - Ausführung Version for Spain
27	I 124	Frankreich - Ausführung Version for France
27	I 126	Beschri ftung französi sch Control and indications in french lettering
27	I 127	Beschri ftung schwedi sch Control and indications in schwedi sch
27	I 130	Beschri ftung englisch Control and indications in english lettering
27	I 150	Betrieb mit verblei tem Kraftstoff Operates wi th leaded gas
27	I 159	Leistungsreduzierter Motor 155 kW/211 PS Curbed engine 155 kw/211 bhp
27	I 193	Japan-Ausführung Version for Japan
27	I 194	Batterie 60 Ah Battery 60 ah
27	I 195	Batterie 70 Ah Battery 70 ah
27	I 196	Batterie 80 Ah Battery 80 ah
27	I 197	Stärkere Batterie Stronger battery
27	I 198	Stärkerer Anlasser (1,7 kW) Enhanced starter motor (1.7 kw)
27	I 199	Batterietrennschalter Battery di sconnecti on swi tch
27	I 200	Batterie 95 Ah *
27	I 210	Kennzei chenhal ter Ausführung 2 Li cence plate holder versi on 2
27	I 211	Kennzei chenhal ter Ausführung 3 Li cence plate holder versi on 3
27	I 215	Saudi -Arabi en - Ausführung Version for Saudi Arabi a
27	I 218	Kennzei chenhal ter Ausführung 4 Li cence plate holder versi on 4
27	I 219	Ausglei chsgetrie be Di fferenti al
27	I 220	Sperrdi fferenti al 40 % Locki ng di fferenti al 40 %
27	I 225	Bel gi en-Ausführung Versi on for Bel gi um
27	I 249	Ti ptroni c-Getrie be Ti ptroni c transmi ssi on
27	I 265	Automati sch abbl endbarer Innenspi egel mi t Regensensor Automatic anti -dazzle i nteri or mi rror wi th rai n sensor
27	I 266	Automati sch abbl endbarer Aussenspi egel Automatic anti -dazzle exteri or mi rror
27	I 267	Automati sch abbl endbarer Innen und Aussenspi egel Automati cally di mmabl e i nteri or and exteri or mi rror
27	I 268	Regensensor Rai n sensor
27	I 270	Aussenspi egel für Fahrersei te -pl an-, elektri sch verstell - und behei zbar Outsi de mi rror -pl an- dri ver' s si de, electrical y adj ustable and heatabl e

MXI KAT27

27	I 271	Aussenspiegel für Fahreseite -asphärisch-, elektrisch verstell- und beheizbar Outside mirror -aspherical - driver's side, electrically adjustable and heatable
27	I 273	Aussenspiegel, elektrisch verstell- und beheizbar Outside mirror, electrically adjustable and heatable
27	I 274	Make-Up Spiegel beleuchtet Make-up mirror illuminated
27	I 277	Schweiz-Ausführung Version for Switzerland
27	I 288	Scheiwerfer-Reinigungsanlage Headlamp washer
27	I 301	Getriebeübersetzung lang Transmission ratio long
27	I 325	Südafrika/Neuseeland-Ausführung Version for South Africa/New Zealand
27	I 335	3-Punkt-Automatik-Gurte, hinten Automatical safety belt, 3-point, rear
27	I 338	Heck-Antrieb Rear-wheel drive
27	I 339	Allrad-Antrieb 4-wheel drive
27	I 342	Sitzheizung, links u. rechts Seat heating system, left/right seat
27	I 369	Basissitz links Series seat, left
27	I 370	Basissitz rechts Series seat, right
27	I 375	Sportsitz, Lehnenschale, links Sportseat, backrest shell, left
27	I 376	Sportsitz, Lehnenschale, rechts Sportseat, backrest shell, right
27	I 377	Sportsitz, Lehnenschale, links, elektrisch verstellbar Sportseat, backrest shell, left, electrically adjustable
27	I 378	Sportsitz, Lehnenschale, rechts, elektrisch verstellbar Sportseat, backrest shell, right, electrically adjustable
27	I 392	Carrera Rad 17" 17" Carrera wheel
27	I 393	Rad Boxster-2 17" (987) 17" Boxster II wheel (987)
27	I 397	Rad Boxster S 18" (987) 18" Boxster II wheel (987)
27	I 398	Cayman Rad 17" 17-in. Cayman wheel
27	I 401	Cayman S Rad 18" 18-in. Cayman S wheel
27	I 402	Carrera 3 Rad 18" Carrera 3 wheel 18"
27	I 403	Carrera S Rad 19" Carrera S wheel 19"
27	I 404	Turbo-1 Rad 19" 19" Turbo-1 wheel
27	I 405	Carrera Classic Rad 19" Carrera classic wheel 19"
27	I 406	Carrera GT Rad 19"/20" Carrera GT wheel 19"/20"
27	I 407	Sport-Design Rad 19" Sportdesign wheel 19"
27	I 410	Turbo-2 Rad 18" 18" Turbo-2 wheel
27	I 411	Carrera-Rad 18" 18" Carrera-wheel

MXI KAT27

- 27 I 415 Turbo-Look-2 Rad 18"
18" Turbo-Look II wheel
- 27 I 416 Rad GT3 18"
18" GT3 wheel
- 27 I 418 Rad Turbo-2 18" GT-Silber
18" Turbo II wheel in GT Silver
- 27 I 424 CD-Ablage
Cd compartment
- 27 I 425 Heckscheibenwischer
Rear window wiper
- 27 I 426 Ohne Heckscheibenwischer
Without rear window wiper
- 27 I 431 Multifunktionslenkrad, Touch & Feel
Multi-function steering wheel, touch & feel
- 27 I 432 Lenkrad mit Tiptronic-Bedienung
Steering wheel with tiptronic control
- 27 I 435 Sportlenkrad
Sports steering wheel
- 27 I 436 3-Speichen-Airbaglenkrad
3-spoke airbag steering wheel
- 27 I 437 Komfortsitz links, elektrisch verstellbar
Comfort seat left, electrically adjustable
- 27 I 438 Komfortsitz rechts, elektrisch verstellbar
Comfort seat right, electrically adjustable
- 27 I 439 Elektrische, Verdeckbetätigung
Electrical roof catch
- 27 I 440 Antennen-Diversität
Antenna diversity
- 27 I 441 Radiovorbereitung
Prepared for radio
- 27 I 444 Diebstahlsicherung, Radschrauben "THATCHAM"
Anti-theft lock, wheel bolts "THATCHAM"
- 27 I 446 Radzierdeckel konkav mit farbigem Wappen
Concave hub cap with coloured escutcheon
- 27 I 447 Notrad
Emergency wheel
- 27 I 450 Keramik-Bremse (PCCB)
Ceramic brake (PCCB)
- 27 I 451 Multifunktionslenkrad, makassar,
Touch & Feel
Multi-function steering wheel, makassar,
touch & feel
- 27 I 452 Multifunktionslenkrad, platane,
Touch & Feel
Multi-function steering wheel, sycamore wood,
touch & feel
- 27 I 453 Multifunktionslenkrad, carbon,
Touch & Feel
Multi-function steering wheel, carbon,
touch & feel
- 27 I 454 Automatische Geschwindigkeitsregulierung
Automatic speed control
- 27 I 459 3-Speichen-Airbaglenkrad, Touch & Feel
3-spoke airbag steering wheel, touch & feel
- 27 I 460 Sportlenkrad, Touch & Feel
Sports steering wheel, touch & feel
- 27 I 461 Stabantenne
Rod antenna
- 27 I 475 Elektrische Dämpferregelung "PASM"
"PASM" electronic damper control
- 27 I 476 Porsche Stability Management (PSM)
Porsche stability management (PSM)
- 27 I 479 Australien - Ausführung
Version for Australia
- 27 I 480 6-Gang Schaltgetriebe
6-speed manual transmission
- 27 I 481 5-Gang Schaltgetriebe
5th-speed manual transmission

MXI KAT27

27	1482	Reifendruckkontrolle, RDK 433 Mhz Tyre pressure monitoring tpm, 433 mhz
27	1483	Reifendruckkontrolle, RDK 315 Mhz 315-mhz tpm, tyre pressure monitoring
27	1484	USA - Ausführung Version for USA
27	1488	Beschreibung deutsch Inscriptions in german language
27	1490	Klangpaket "ASK" Sound system "ASK"
27	1492	Scheinwerfer für Linksverkehr For left-hand traffic
27	1498	Entfall der Modellbezeichnung am Heck Without vehicle-type-lettering on rear end
27	1499	Ausführung für die Bundesrepublik Deutschland Version for Germany
27	1501	Car-Cover Car cover
27	1509	Feuerlöscher Fire extinguisher
27	1513	Lordosenstütze rechter Sitz Back-support (lordose) right seat
27	1524	Wegfahrsicherung, Zentralverriegelung, 433 MHz Immobilizer, central locking, 433 mhz
27	1525	Wegfahrsicherung, Zentralverriegelung, 315 MHz Immobilizer, central locking, 315 mhz
27	1532	Entfall Fernbedienung Alarmanlage Deleted remote control anti-theft device
27	1533	Entfall Funkbetätigung Verdeck Radio convertible-top operation omitted
27	1534	Diebstahlsicherungsanlage 433 Mhz Theft security system 433 mhz
27	1535	Diebstahlsicherungsanlage 315 Mhz Theft security system 315 mhz
27	1536	Alarmsirene und Neigungsgeber Alarm siren and tilt sensor
27	1537	Sitzpositions-Steuerung für Komfortsitz, links Seating position control for comfort seat, left
27	1538	Sitzpositions-Steuerung für Komfortsitz, rechts Seating position control for comfort seat, right
27	1539	Mechanische Sitzhöhenverstellung links Mechanical seat-height adjustment left
27	1540	Mechanische Sitzhöhenverstellung rechts Mechanical seat-height adjustment right
27	1544	Diebstahlsicherung ohne Infrarot- Überwachung 433 MHz Anti-theft protection without infrared Monitoring 433 mhz
27	1545	Diebstahlsicherung ohne Infrarot- Überwachung 315 MHz Anti-theft protection without infrared Monitoring 315 mhz
27	1549	Dachtransportsystem Roof rack system
27	1550	Hardtop
27	1551	Windstop Wind deflector
27	1553	USA-Canada-Ausführung Version for USA, Canada
27	1554	Bugspoilerlippe beige Front spoiler lip included
27	1555	Sicherheitsgurte in Schwarz Black safety belts

MXI KAT27

27	1560	Advanced Airbag Advanced airbag
27	1562	Airbag Fahrer- und Beifahrerseite Airbagdriver's side and front passenger's side
27	1563	Seitenairbag Side airbag
27	1566	Nebelscheinwerfer weiss Fog-headlamps, white
27	1567	Frontscheibe im oberen Bereich stark eingefärbt Windshield tinted, upper part darker coloured
27	1568	Windschutzscheibe ohne Bandfilter Windscreen without shade band
27	1571	Aktivkohlefilter Activated charcoal filter
27	1572	Klimaanlage manuell Manual air-conditioning system
27	1573	Klima-Anlage Air conditioner
27	1575	Kofferraumkühlung Luggage compartment cooling system
27	1581	Mittelkonsole vorn Center console front
27	1584	Ablagebox auf Motordeckel Storage box on engine cover
27	1586	Lordosenstütze linker Sitz Back-support (lordose) left seat
27	1601	Xenon-Licht Xenon light
27	1602	Hochgesetzte Bremsleuchte Araised stop lamp
27	1606	Tagfahrlicht Daytime running lamp
27	1607	Garagentoröffner "Homelink" 315Mhz Garage door opener "homelink" 315Mhz
27	1608	Garagentoroeffner "Homelink" 433Mhz Garage door opener "homelink" 433mhz
27	1610	DVD Navigation "Paket Europa" DVD navigation "paket Europa"
27	1611	DVD Navigation Südafrika DVD navigation South Africa
27	1612	DVD Navigation Mittlerer Osten DVD navigation middle east
27	1613	DVD Navigation Australien DVD navigation australia
27	1614	DVD Navigation Asien-Pazifik DVD navigation asia-pacific
27	1615	DVD Navigation, Nordamerika DVD navigation system, North America
27	1616	DVD, Navigation Russland DVD, Navigation Russia
27	1618	Telefonvorbereitung Preparation of telephone installation
27	1620	E-Gas E-accelerator
27	1621	12 Volt Steckdose, Beifahrerseite, Fussraum 12-V socket, passenger's side, footwell
27	1625	Porsche "entry and drive""KESSY" "KESSY" porsche entry and drive
27	1635	Einparkhilfe Parking assistant
27	1639	Sport-Chrono-Paket Sports chrono package
27	1640	Sport-Chrono-Paket plus Sports chrono package plus
27	1641	elektronisches Fahrtenbuch electronic logbook
27	1650	Elektrisches Schiebedach Electrical sliding roof

MXI KAT27

27	1651	Elektrischer Fensterheber Electric window opener
27	1652	Ohne Schiebe-Hubdach Without sliding/tilting roof
27	1657	Servolenkung Power assisted steering
27	1659	Bordcomputer Computer
27	1660	OBD 2 OBD 2
27	1661	Verschärftes Abgaskonzept Stricter emission-control concept
27	1664	ORVR ORVR
27	1665	PCM2 Grundmodul inklusive Radio PCM2 basic module including radio
27	1666	PCM2 Telefon (GSM) PCM2 telephone (GSM)
27	1668	PCM2 Telefonbedienhoerer PCM2 telephone handset
27	1670	PCM2 Navigation PCM2 navigation
27	1672	PCM-2 Navigation Offroad PCM-2 Offroad navigation
27	1675	Ohne Radio Vorbereitung (Japan-Navi) Without radio preparation (Japan nav system)
27	1680	Soundpaket BOSE BOSE sound package
27	1685	Geteilte Rücksi tzanlage Rear seats, divided
27	1689	CD-Wechsler Vorbereitung Preperation of CD-changer
27	1690	CD-Radio "Porsche Online Pro" CD-radio "Porsche online pro"
27	1692	CD-Wechsler "Porsche" CD-changer "Porsche"
27	1694	CD-Radio "PORSCHE CDR 24" CD-radio "PORSCHE CDR 24"
27	1697	CD-Radio "Porsche CDR 23" CD-Radio "Porsche CDR-23"
27	1796	Ganzlederausstattung Naturlleder Full leather trim natural leather
27	1798	Ganzlederausstattung Sonderleder Full leather trim special leather
27	1799	Ganzlederausstattung nach Wahl Full leather trim by choice
27	1801	Holzpaket Makassar, dunkel seidenmatt Makassar wood package, dark dulled satin
27	1802	Holzpaket Platane, hell seidenmatt Sycamore wood package, light dulled satin
27	1803	Carbonpaket Carbon package
27	1804	Exterieur-Paket Carbon GT2 GT2 carbon exterior package
27	1805	Lifestyle-Paket Lifestyle package
27	1810	Fussmatten *
27	1936	Sitzbezüge hinten, Leder Seat covers rear, leather
27	1937	Sitzbezüge hinten, Kunstleder Seat covers rear, leatherette
27	1939	Sitzbezüge hinten, Raffleder Seat covers rear, draped leather
27	1946	Sitzbezüge vorne, Leder/Leder/Kunstleder Seat covers front, leather/leather/leatherette
27	1950	Sitzbezüge vorne, Alcantara/Kunstleder/Kunstleder Alcantara seat covers front

MXI KAT27

27	1970	Innenaustattung zwei farbig Two-tone interior
27	1971	Naturlleder mit "TORO"-Prägung "TORO" embossed leather
27	1981	Leder-Ausstattung, ohne Sitzbezug Leather equipment, without seat covers
27	1982	Sitzbezüge vorne, Raffleder/Leder/Leder Seat covers front, draped leather/leather/leather
27	1983	Sitzbezüge vorne, Leder Seat covers front, leather
27	1985	Sitzbezüge, Leder/Leder/Kunstleder, 2 Seat covers, leather/leather/leatherette, 2
27	1990	Sitzbezüge vorne, Stoff/Stoff/Kunstleder Seat covers front, cloth/cloth/leatherette
27	1991	Airbagmodul in Leder Steering wheel airbag module in leather
27	1998	Leder, Natur Leather, nature
27	1999	Innenraumüberwachung Sensor für Lederfarbe nach Wahl Passenger compartment monitoring sensor for leather colour of choice

Model	Year	MG	SG	Illustration	VIN No.	Update		
987	07	9	11	911-10		203	8:04	25.08.2006

TR203

THIS PARTS CATALOGUE CONTAINS ALL ORDER INFORMATION OF
TYPE 987 FROM MODEL YEAR 2005

IT IS AVAILABLE IN TWO EDITIONS IN THE FOLLOWING LANGUAGES:

EDITION

USA, CANADA - *

EDITION

ALL OTHER COUNTRIES - GERMAN

* - ENGLISH

- FRENCH

- ITALIAN

- SPANISH

UPDATING IS BEING PERFORMED BY CHANGING OF UPDATE.

THE EDITION CAN BE RECOGNIZED BY THE CURRENT NO.
IN THE BOTTOM LINE OF SUBJECT UPDATE.

THE PREVIOUS UPDATE SHOULD NO LONGER BE USED.

ALL ILLUSTRATIONS ARE SUBJECT TO CHANGE WITHOUT OBLIGATION.

THE SEATS FOR EACH MODEL ARE AVAILABLE IN THE PARTS CATALOGUE
"SEATS (STZ 19)".

PORSCHE

PET V-Pages

PORSCHE

Model	Year	MG	SG	Illustration	VIN No.	Update		
987	07	9	11	911-10		203	8:04	25.08.2006

TR203

EXPLANATION OF THE ABRIDGED VERSION OF THE VEHICLE IDENT. NUMBERS (VIN)

=====

USED IN THE CATALOGUE

=====

DIGIT:		1	2	3	4	5	6	7	8	9	10	11	12	13	14	15	16	17
--------	--	---	---	---	---	---	---	---	---	---	----	----	----	----	----	----	----	----

EXAMPLE:		W	P	0	Z	Z	Z	9	8	Z	5	S	7	0	0	1	2	5
								==		=	=	=		=====				

VEHICLE TYPE 1ST+2ND DIGIT-----+								!	!	!	!	!	!	!	!	!	!	!
----------------------------------	--	--	--	--	--	--	--	---	---	---	---	---	---	---	---	---	---	---

MODEL YEAR-----+								!	!	!	!	!	!	!	!	!	!	!
------------------	--	--	--	--	--	--	--	---	---	---	---	---	---	---	---	---	---	---

MANUFACTURING LOCATION-----+								!	!	!	!	!	!	!	!	!	!	!
------------------------------	--	--	--	--	--	--	--	---	---	---	---	---	---	---	---	---	---	---

VEHICLE TYPE 3RD DIGIT-----+										!	!	!	!	!	!	!	!	!
------------------------------	--	--	--	--	--	--	--	--	--	---	---	---	---	---	---	---	---	---

SERIAL NUMBER-----+																		
---------------------	--	--	--	--	--	--	--	--	--	--	--	--	--	--	--	--	--	--

PET V-Pages

Model	Year	MG	SG	Illustration	VIN No.	Update	8:04	25.08.2006
987	07	9	11	911-10		203		

FR203

VEHICLE TYPE	MY	VIN	ENGINE	TYPE
BOXSTER	05 5	985S7 00061>10000	M96.25	176 KW
BOXSTER	05 5	985U7 00061>10000	M96.25	176 KW
BOXSTER (USA) (CDN) (MEX) (BR)	05 5	985S7 10061>20000	M96.25	176 KW
BOXSTER (USA) (CDN) (MEX) (BR)	05 5	985U7 10061>20000	M96.25	176 KW
BOXSTER "S"	05 5	985S7 20061>30000	M96.26	206 KW
BOXSTER "S"	05 5	985U7 20061>30000	M96.26	206 KW
BOXSTER "S" (USA.CDN.MEX.BR)	05 5	985S7 30061>40000	M96.26	206 KW
BOXSTER "S" (USA.CDN.MEX.BR)	05 5	985U7 30061>40000	M96.26	206 KW
BOXSTER	06 6	986S7 00061>10000	M96.25	176 KW
BOXSTER	06 6	986U7 00061>10000	M96.25	176 KW
BOXSTER (USA) (CDN) (MEX) (BR)	06 6	986S7 10061>20000	M96.25	176 KW
BOXSTER (USA) (CDN) (MEX) (BR)	06 6	986U7 10061>20000	M96.25	176 KW
BOXSTER "S"	06 6	986S7 20061>30000	M96.26	206 KW
BOXSTER "S"	06 6	986U7 20061>30000	M96.26	206 KW
BOXSTER "S" (USA.CDN.MEX.BR)	06 6	986S7 30061>40000	M96.26	206 KW
BOXSTER "S" (USA.CDN.MEX.BR)	06 6	986U7 30061>40000	M96.26	206 KW
BOXSTER	07 7	987S7 00061>10000	M97.20	180 KW
BOXSTER	07 7	987U7 00061>10000	M97.20	180 KW
BOXSTER (USA) (CDN) (MEX) (BR)	07 7	987S7 10061>20000	M97.20	180 KW
BOXSTER (USA) (CDN) (MEX) (BR)	07 7	987U7 10061>20000	M97.20	180 KW
BOXSTER "S"	07 7	987S7 20061>30000	M97.21	217 KW
BOXSTER "S"	07 7	987U7 20061>30000	M97.21	217 KW
BOXSTER "S" (USA.CDN.MEX.BR)	07 7	987S7 30061>40000	M97.21	217 KW
BOXSTER "S" (USA.CDN.MEX.BR)	07 7	987U7 30061>40000	M97.21	217 KW

PET V-Pages

Model	Year	MG	SG	Illustration	VIN No.	Update	8:04	25.08.2006
987	07	9	11	911-10		203		

TR203

EXPLANATION OF THE MOTOR-NUMBERS USED IN THE CATALOGUE
 =====

DIGIT:		1	2	3		4	5	6	7	8
EXAMPLE:		6	2	5		0	0	1	3	6
		=	=	=		=	=	=	=	=
		!	!	!		!				!
ENGINE TYPE (6 = 6-CYL.-ENGINE)	-----+	!	!	!		!				!
		!	!			!				!
ENGINE VERSION	-----+	!				!				!
		!				!				!
MODEL YEAR	-----+					!				!
						!				!
SERIAL NUMBER	-----+					!				!

PET V-Pages

Model	Year	MG	SG	Illustration	VIN No.	Update	8:04	25.08.2006
987	07	9	11	911-10		203		

MR203

VEHICLE TYPE	ENGINE			ENGINE NO.	TECHNICAL DATA
	TYPE	MY			
BOXSTER	M96.25	05	5	615	00501>60000 6ZYL/2,7L /176 KW
BOXSTER"S"	M96.26	05	5	625	00501>60000 6ZYL/3,2L /206 KW
BOXSTER	M96.25	06	6	616	00501>60000 6ZYL/2,7L /176 KW
BOXSTER"S"	M96.26	06	6	626	00501>60000 6ZYL/3,2L /206 KW
BOXSTER	M97.20	07	7	657	00501>60000 6ZYL/2,7L /180 KW
BOXSTER"S"	M97.21	07	7	677	00501>60000 6ZYL/3,4L /217 KW

PET V-Pages

Model	Year	MG	SG	Illustration	VIN No.	Update	8:04	25.08.2006
987	07	9	11	911-10		203		

TR203

EXPLANATION OF THE TRANSMISSION-NUMBERS USED IN THE CATALOGUE

```

=====
DIGIT:                1  2  3  4  5      6  7  8  9 10 11
EXAMPLE:              G  8  6  0  0      1  0  0  5  4  3
                      =  =====      =  =====
                      !                !                !
                      !                !                !
TRANSMISSION TYPE-----+                !                !
                      !                !                !
TRANSMISSION VERSION-----+                !                !
                      !                !                !
INDEX OF VARIANTS-----+                !                !
                      !                !                !
SERIAL NUMBER-----+                !                !
    
```

PET V-Pages

Model	Year	MG	SG	Illustration	VIN No.	Update	8:04	25.08.2006
987	07	9	11	911-10		203		

GR203

VEHICLE TYPE	TYPE	MY	TRANSMISSION NO.	TECHNICAL DATA
BOXSTER	G87.01	05 5	G8701 1 002001>999999	5-GANG
BOXSTER TIPTRONIC	A87.01	05 5	A8701 1 002001>999999	5-GANG
BOXSTER "S"	G87.20	05 5	G8720 1 002001>999999	6-GANG
BOXSTER "S" TIPTRONIC	A87.20	05 5	A8720 1 002001>999999	5-GANG
BOXSTER	G87.01	06 6	G8701 1 002001>999999	5-GANG
BOXSTER TIPTRONIC	A87.01	06 6	A8701 1 002001>999999	5-GANG
BOXSTER "S"	G87.20	06 6	G8720 1 002001>999999	6-GANG
BOXSTER "S" TIPTRONIC	A87.20	06 6	A8720 1 002001>999999	5-GANG
BOXSTER	G87.01	07 7	G8701 1 002001>999999	5-GANG
BOXSTER I480	G87.20	07 7	G8701 1 002001>999999	6-GANG
BOXSTER TIPTRONIC	A87.02	07 7	A8702 1 002001>999999	5-GANG
BOXSTER "S"	G87.21	07 7	G8721 1 002001>999999	6-GANG
BOXSTER "S" TIPTRONIC	A87.21	07 7	A8721 1 002001>999999	5-GANG

PET V-Pages

Model	Year	MG	SG	Illustration	VIN No.	Update	8:05	25.08.2006
987	07	9	11	911-10		203		

TR203

LEGENDS AND NOTICES

=====

IN COLUMN -S- STATUS

- N NEW ADDITION
- P PART ALREADY IN PROGRAMME, BUT NEW AT THIS APPLICATION
- W DELETED AT THIS APPLICATION, BUT CONTINUED TO BE CARRIED
- R RACING PART: MARKETED FROM WEISSACH EVM
- A STOCK TO BE USED UP
- U DELETED WITHOUT REPLACEMENT
- * PART ALSO OR ONLY AVAILABLE IN REPAIR KIT
- > ALSO AVAILABLE IN EXCHANGE

IN COLUMN - ILL. -

- 1 IDENTIFICATION NO. IN ILLUSTRATION
- (1) PART ONLY SIMILAR AS ILLUSTRATED
- PART IS NOT ILLUSTRATED

FIG.-NUMBERS FOR WHICH THERE IS SHOWN NO TEXT ARE NOT VALID FOR THIS EDITION OF CATALOGUE

IN COLUMN -PART NUMBER/CODE-

000 000 000 00 PART NUMBER EQUALS ORDERING NO., IF A CODE IS SHOWN, IT WILL HAVE TO BE PART OF ORDERING NUMBER

01C COLOUR CODE

IN COLUMN -TEXT

INSTALLATION WITH ENGINE OR CHASSIS NUMBER-RANGE

EXAMPLE:

M 66W 00389>> FROM ENGINE NO.
 F >>99WS6 00889 UP TO CHASSIS NO.

PET V-Pages

Model	Year	MG	SG	Illustration	VIN No.	Update	8:05	25.08.2006
987	07	9	11	911-10		203		

TR203

IN COLUMN - A -

IDENTIFICATION LETTER FOR PERIOD OF INSTALLATION
THAT IS REPEATED SEVERAL TIMES IN THE CATALOG GROUP.

EXPLANATION PLEASE FIND IN TEXT COLUMN OF THE CATALOG GROUP

IN COLUMN - QU - = NO. OF PIECES

- 1 NUMBER PER APPLICATION
- X NUMBER AS NEEDED
- * AVAILABLE ONLY IN RUNNING LENGTHS 1 = 1 METRE

IN COLUMN - MODEL/SYMBOL -

- M650 OPTIONAL EQUIPMENT - SEE M-NO. LIST
- 98 LIMITATION OF MODEL YEAR FOR INSTANCE: VALID UP TO
END OF MODEL YEAR 1997
- /LL LHD
- /RL RHD
- /V FRONT I
I
- /H REAR I
I----> APPLIES TO
- /L LEFT I DIRECTION OF TRAVEL
I
- /R RIGHT I
-----+
- WW THE PART CAN BE USED INSTEAD OF THE
PRECEDING ONE.

Model	Year	MG	SG	Illustration	VIN No.	Update		
987	07	9	11	911-10		203	8:05	25.08.2006

TR203

EQUIPMENT BY COUNTRY REGULATIONS
=====

(A) AUSTRIA
 (AG) ARABIAN GULF STATES
 (AUS) AUSTRALIA
 (B) BELGIUM
 (BR) BRAZIL
 (CDN) CANADA
 (CH) SWITZERLAND
 (CN) PEOPLE'S REPUBLIC OF CHINA
 (D) FEDERAL REPUBLIC OF GERMANY
 (DK) DENMARK
 (E) SPAIN
 (F) FRANCE
 (GB) GREAT BRITAIN
 (GR) GREECE
 (HK) HONGKONG
 (I) ITALY
 (J) JAPAN
 (L) LUXEMBURG
 (N) NORWAY
 (NL) NETHERLANDS
 (NZ) NEW ZEALAND
 (P) PORTUGAL
 (ROK) KOREA
 (RC) TAIWAN
 (THA) THAILAND
 (S) SWEDEN
 (SA) SAUDI ARABIA
 (SF) FINLAND
 (USA) UNITED STATES OF AMERICA
 (ZA) SOUTH AFRICA