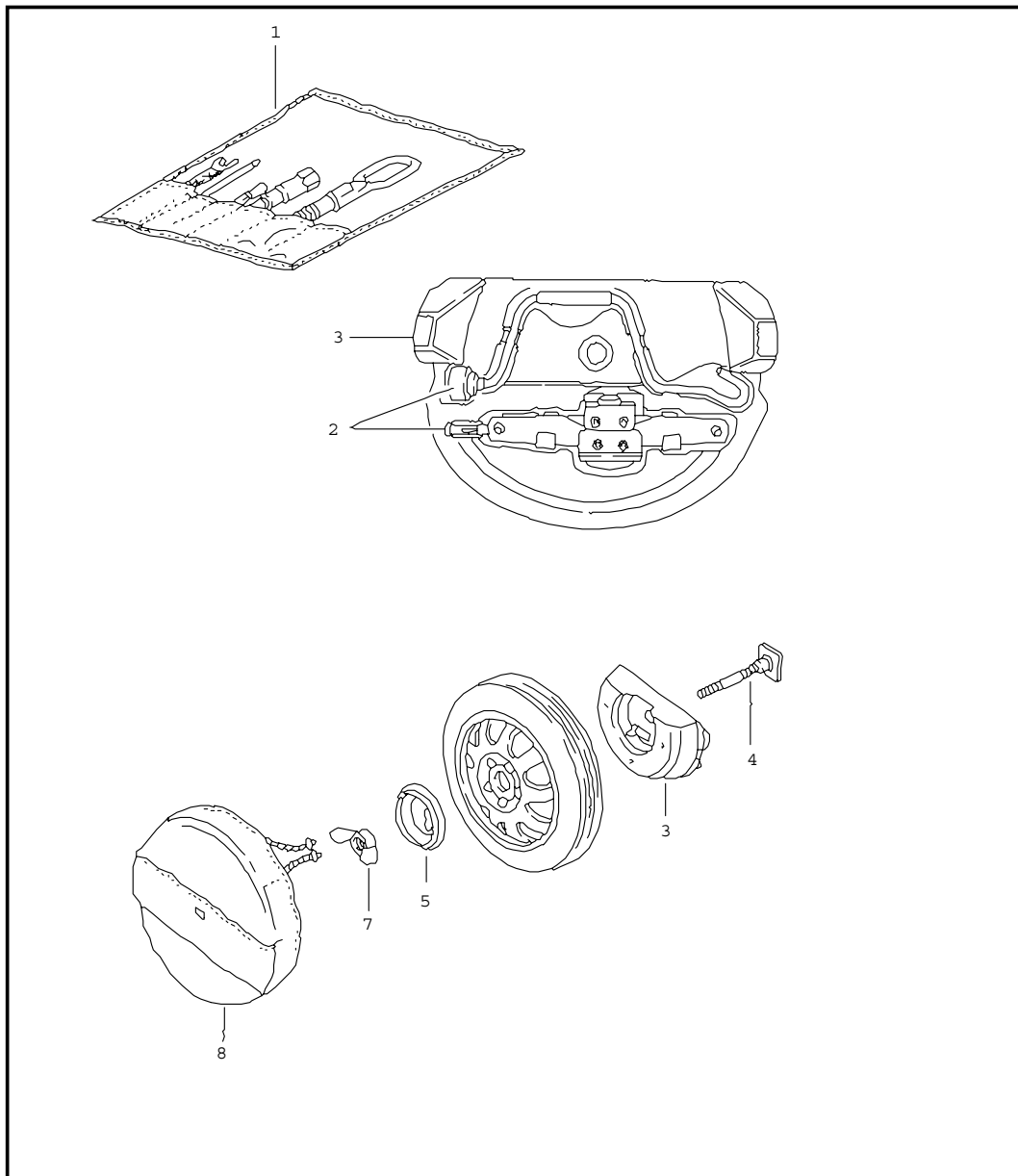


Model	Year	MG	SG	Illustration	Restrictions	Update	11:46	23.08.2006	PORSCHE	PET	PORSCHE
996	05	0	01	1-00		203					

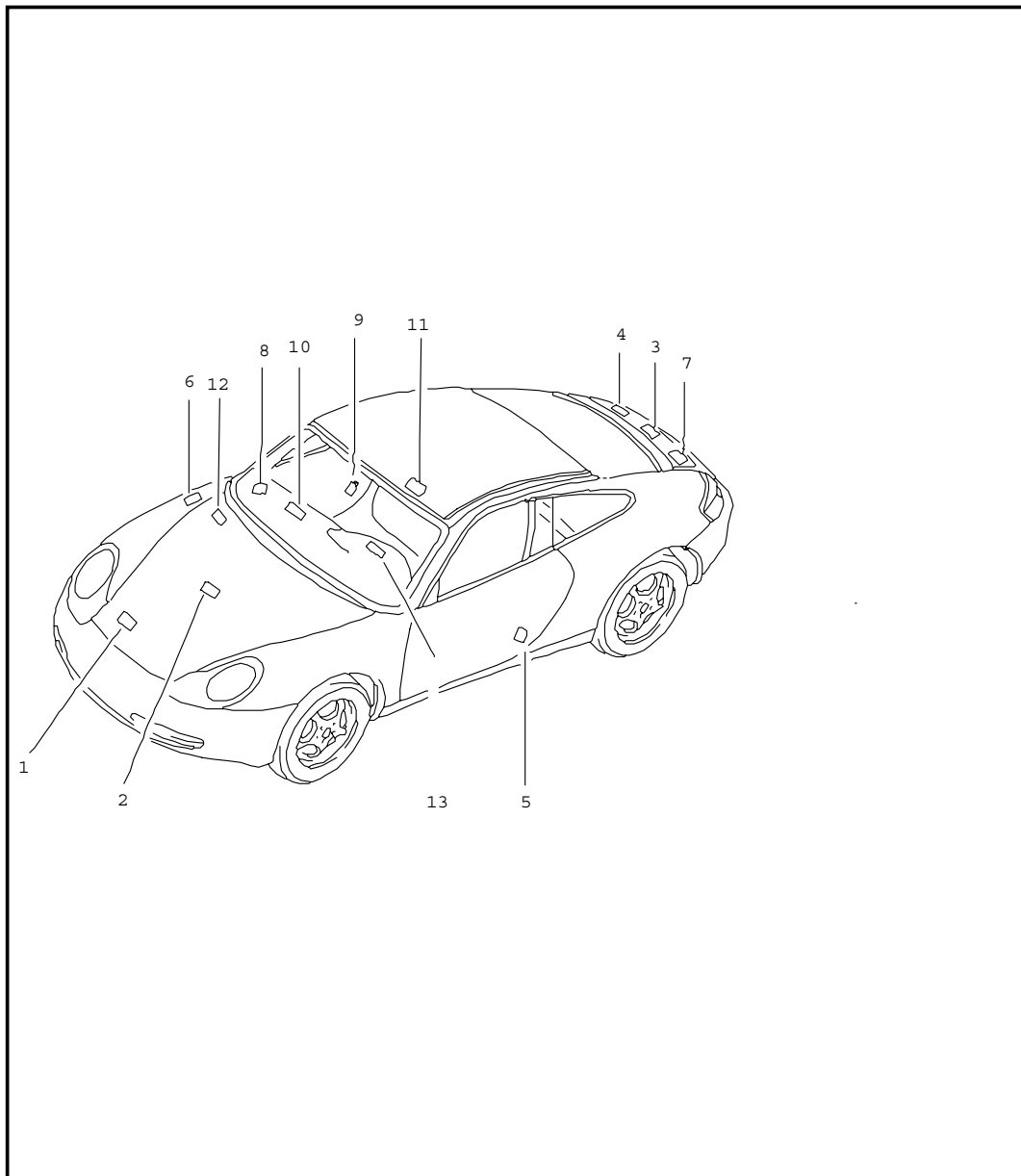


Pos	Part Number	Name	Remarks	Qty	Model
1	996 721 115 00	tool jack		1	
-	996 721 115 00	tool bag with contents comprising:		1	
-	996 361 521 00	boot for tyre		1	
-	-	plastic gloves		1	
-	996 721 151 00	towing lug		1	
-	-	double-end spanner 10 X 13		1	
-	-	screw driver		1	
-	-	handle for screw driver		1	
-	999 571 076 02	socket wrench - 5 - for headlamp		1	
-	999 571 074 30	threaded bolt for assembly wheels		1	
-	-	rim wrench		1	
-	-	operating rod for rim wrench		1	
2	996 721 211 00	scissors type jack		1	
3	996 722 101 00	foam part		1	M 338
4	996 721 701 00	fastening part		1	M 338
5	477 813 157	fastening plate		1	
7	900 029 004 02	winged nut M 10		1	M 338
(7)	900 029 109 02	winged screw M 10 X 65	99-	1	M 339
-	999 031 051 02	washer 11,0 X 20 X 3,5		1	CARRERA 4 S M 450/M 680

Model	Year	MG	SG	Illustration	Restrictions	Update	11:46	23.08.2006	PORSCHE	PET	PORSCHE
996	05	0	01	1-00		203					

Pos	Part Number	Name	Remarks	Qty	Model	Pos	Part Number	Name	Remarks	Qty	Model
8	-	see group 8/07/00 POS.19		1							
-	000 722 722 02	warning triangle		1							
-	993 722 041 00	first-aid kit		1							
		- - - E N D - - -									

Model	Year	MG	SG	Illustration	Restrictions	Update	11:47	23.08.2006	PORSCHE	PET	PORSCHE
996	05	0	01	1-05		203					

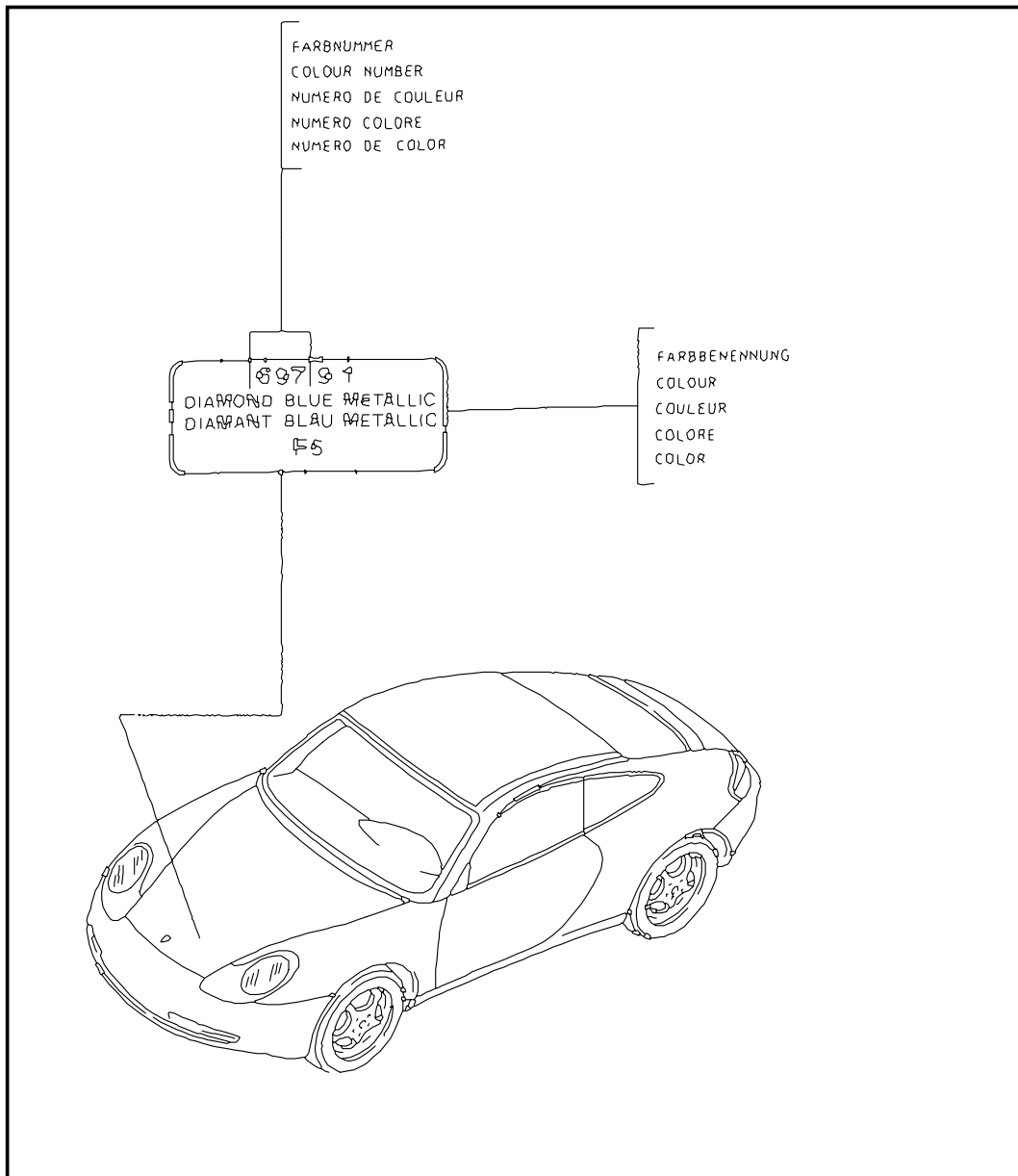


Pos	Part Number	Name	Remarks	Qty	Model
		stickers			
		stickers			
		tyre pressure			
1	996 701 287 20	sticker	-01	1	M 338
1	996 701 287 40	sticker	02-	1	M 338
1	996 701 287 23	sticker	-01	1	M 339
1	996 701 287 43	sticker	02-	1	M 339
1	996 701 287 48	sticker	02-	1	CARRERA 4 S
1	996 701 287 22	sticker	-01	1	(AUS) M 338
1	996 701 287 42	sticker	02-	1	(AUS) M 338
1	996 701 287 25	sticker	-01	1	(AUS) M 339
1	996 701 287 45	sticker	02-	1	(AUS) M 339
1	996 701 287 50	sticker	02-	1	(AUS) CARRERA 4 S
1	996 701 170 00	sticker first-aid kit	99-	1	M 339/ M 499
		stickers		1	
		emergency wheel			
2	996 361 701 10	sticker english		1	(AUS) M 338
2	996 361 701 00	sticker english		1	(AUS) M 339
2	996 361 701 20	sticker english	03-	1	CARRERA 4 S (AUS) M 450
2	928 701 150 00	sticker "MAX 80 KM/H"		1	
		stickers			
		engine specifications			
3	996 006 107 00	sticker	98	1	(AUS)
3	996 006 107 01	sticker	99	1	(AUS)
3	996 006 107 03	sticker	00	1	(AUS)
3	996 006 107 04	sticker	01	1	(AUS)
3	996 006 107 05	sticker	02	1	(AUS)
3	996 006 107 06	sticker	03	1	(AUS)

Model	Year	MG	SG	Illustration	Restrictions	Update	11:47	23.08.2006	PORSCHE	PET	PORSCHE
996	05	0	01	1-05		203					

Pos	Part Number	Name	Remarks	Qty	Model	Pos	Part Number	Name	Remarks	Qty	Model
3	996 006 107 07	sticker	04	1	(AUS)	8	996 701 430 02	sticker child car seat english spanish	01-	1	
3	993 006 108 02	sticker	-01	1	M 068						
3	996 006 108 00	sticker	02-	1	M 068						
4	928 701 140 04	sticker exhaust gas  stickers type of fuel	-99	1	M 068,M 325	8	996 701 430 03	sticker child car seat swedish english	01-	1	
6	996 006 117 00	sticker 98 ROZ		1		8	996 701 430 04	sticker child car seat arabic english	04-	1	
6	996 006 117 02	sticker 96 ROZ		1	(AUS)	12	996 701 141 01	sticker air conditioner		1	
6	996 006 117 01	sticker 98 ROZ		1	M 150			stickers folding top control see group 8/07/09			
6	996 006 117 03	sticker 93 RON/MON/2		1	(J)			- - - E N D - - -			
6	996 701 190 00	sticker fuel tank cap	01-	1							
7	993 006 544 01	sticker engine oil - MOBIL 1 -		1							
7	996 006 120 00	indication sticker expansion tank coolant  stickers airbag	00-	1							
8	996 701 421 01	sticker child car seat	98	1							
8	3B0 010 219 B	sticker child car seat	99-	1							
8	8D0 010 141 Q	sticker child car seat	05	1	(AUS)						
8	996 701 430 00	sticker child car seat german english	01-	1							
8	996 701 430 01	sticker child car seat italian french	01-	1							

Model	Year	MG	SG	Illustration	Restrictions	Update	11:47	23.08.2006	PORSCHE	PET	PORSCHE
996	05	0	04	4-00		203					

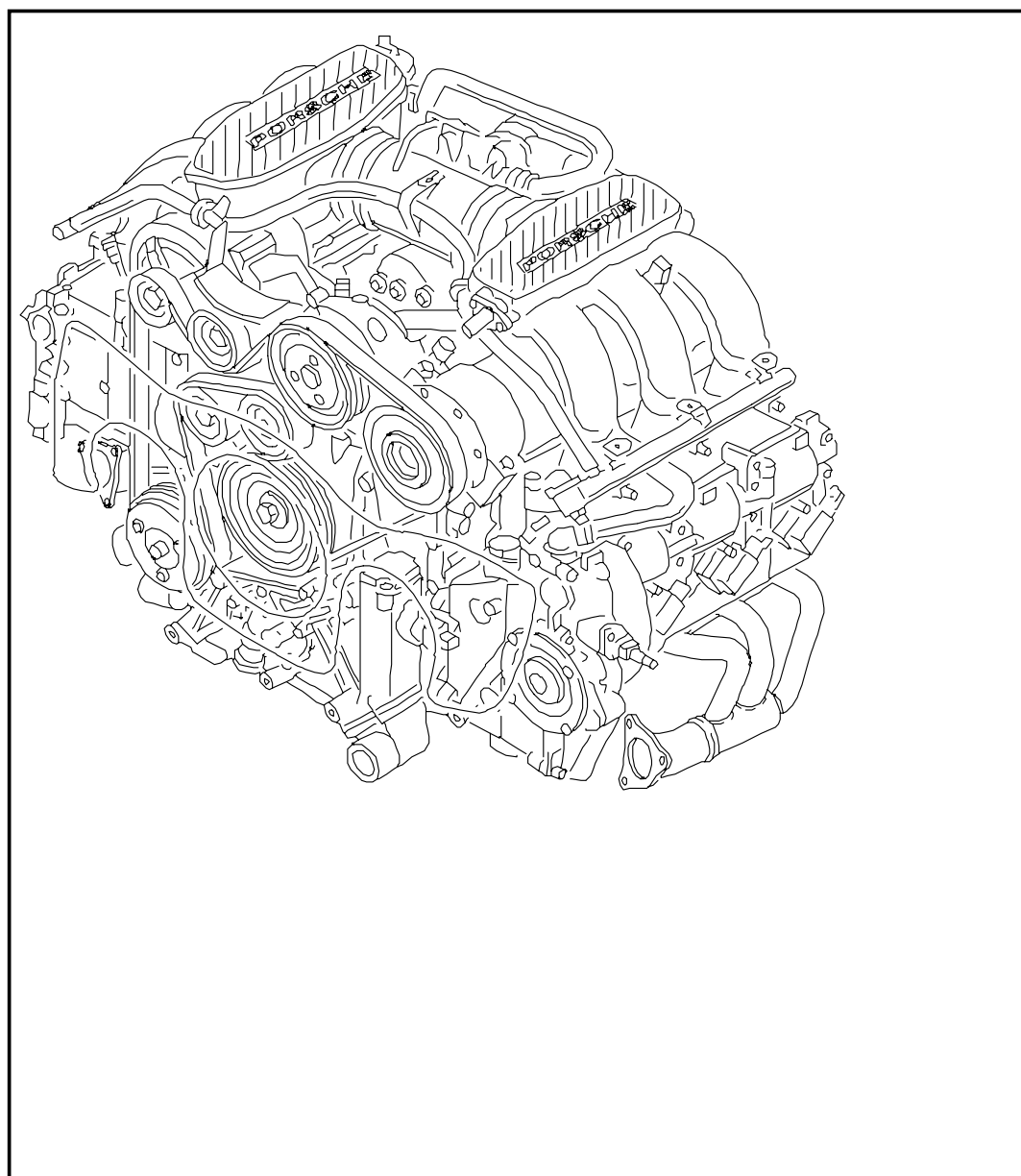


Pos	Part Number	Name	Remarks	Qty	Model
-	911 095 932 20	paint touch-up applicator lacquers		X	
	719	black			A 1
	80K	guards red			G 1
	3AT	glacier white			Z 1
	9A3	biarritz white			Z 2
	12L	pastel yellow			Q 1
	3AR	blue turquoise			J 1
	12G	speed yellow			50 / X 4
	347	dark blue			55
	B9A	carrara white			B 4
-	911 095 933 20	paint touch-up applicator set comprising: paint touch-up applicator primer paint touch-up applicator clear lacquer		X	
	92T	arctic silver metallic			X 1
	3AY	ocean blue metallic			E 1
	3AW	zenith blue metallic			F 1
	84R	arena red metallic			H 8
	25H	ocean jade metallic			J 3
	746	black-metallic			Z 8
	40W	vesuvio grey metallic			K 3
	554	mirage metallic			T 1
	23I	wimbledon green metallic			51
	22E	forest green metallic			53
	2A2	rainforest green metallic			J 4
	39G	violet metallic			54
	37U	cobalt blue metallic			56
	92E	polar silver metallic			58

Model	Year	MG	SG	Illustration	Restrictions	Update	11:47	23.08.2006	PORSCHE	PET	PORSCHE
996	05	0	04	4-00		203					

Pos	Part Number	Name	Remarks	Qty	Model	Pos	Part Number	Name	Remarks	Qty	Model
	22D	slate grey metallic			59						
	39N	iris blue metallic			61						
	37W	midnight blue metallic	-02 03-		62 E 9						
	3C4	violet/chromaflair			M 094/K 7						
	8A4	orient red metallic			L 1						
	3A9	lapis blue metallic	-02		E 3						
	M5W	lapis blue metallic	03-		J 2						
	6A7	meridian metallic	-03 04-		X 2 64						
	1A9	zanzibar red	-02 03		N 1 63						
	6B5	seal grey metallic			Y 1						
	C9Z	basalt black metallic			Z 4						
	M6W	lagoon green metallic			G 4						
	M3W	carmon red metallic			E 4						
	M7X	atlas grey metallic			E 7						
	M7Z	gt silver metallic	04 05		M 095 U 2						
	M6X	dark olive-metallic			7 G						
		lacquers 1 LTR									
-	911 095 903 80	paint		X	M 094/K 7						
	3C4	violet/chromaflair									
		- - - E N D - - -									

Model	Year	MG	SG	Illustration	Restrictions	Update	11:47	23.08.2006	PORSCHE	PET	PORSCHE
996	05	1	01	101-00		203					



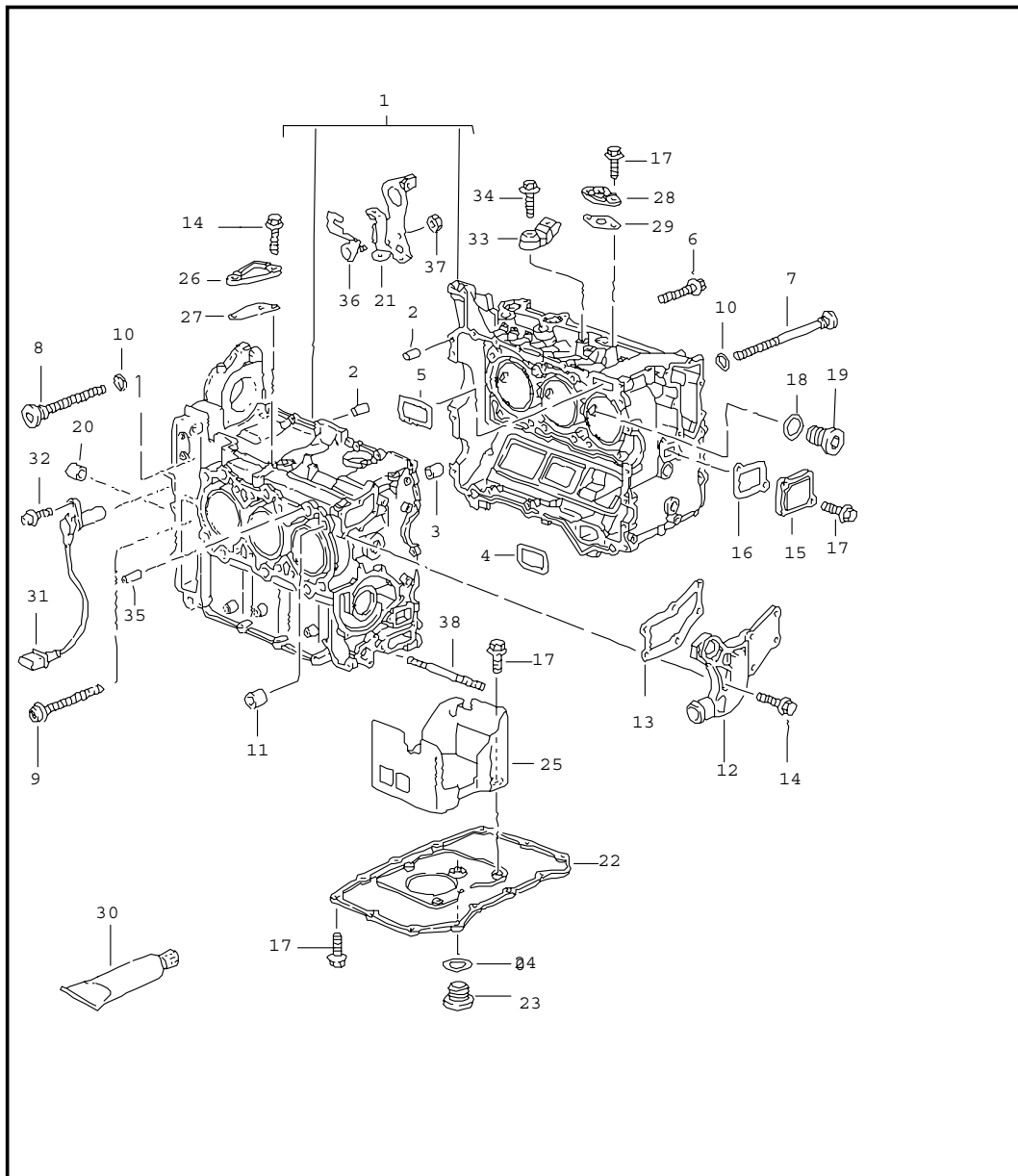
Pos	Part Number	Name	Remarks	Qty	Model
		replacement engine	-01 02-		M96.01/02/04 M96.03
		without drive plate tiptronic without flywheel manual transmission without compressor			
1	> 996 100 996 00	replacement engine	-99	1	M 338
1	> 996 100 996 01	replacement engine	-99	1	M 339
1	> 996 840 051 01	replacement engine	99	1	M 338 X51
1	> 996 100 951 01	replacement engine	99	1	M 338 X51
1	> 996 840 051 02	replacement engine		1	M 338/339 M 620 X51
			00-01		
1	> 996 100 951 02	replacement engine	00-01	1	M 338/339 M 620 X51
			00-01		
1	> 996 100 996 14	replacement engine	02-03	1	M 96.03 M 480 X 51
1	> 996 100 996 20	replacement engine	04	1	M 96.03 M 480 X 51
		technical information GRUPPE 1 NR.4/04 attention			
1	996 100 996 30	replacement engine	05	1	M 96.03 M 480 X 51
1	> 996 100 996 03	replacement engine	00	1	M 660/661
1	996 100 996 11	replacement engine	01	1	M 660/661 M 480
1	> 996 100 996 01	replacement engine	00	1	
1	> 996 100 996 12	replacement engine	01	1	M 660/661 M 249
		see technical information group 1 NR.1/02 NR.2/02 only for 996.100.996.07/08 996.100.996.09/10 attention			

Model	Year	MG	SG	Illustration	Restrictions	Update	11:47	23.08.2006	PORSCHE	PET	PORSCHE
996	05	1	01	101-00		203					

Pos	Part Number	Name	Remarks	Qty	Model	Pos	Part Number	Name	Remarks	Qty	Model
1	A 996 100 996 04	replacement engine	02	1	M 96.03 M 660/661 M 480						
1	> 996 100 996 07	replacement engine	02	1	M 96.03 M 660/661 M 480						
1	> 996 100 996 09	replacement engine	03	1	M 96.03 M 660/661 M 480						
1	> 996 100 996 18	replacement engine	04	1	M 96.03 M 660/661 M 480						
		technical information GRUPPE 1 NR.4/04 attention									
1	996 100 996 28	replacement engine	05	1	M 96.03 M 660/661 M 480						
1	A 996 100 996 05	replacement engine	02	1	M 96.03 M 660/661 M 249						
1	> 996 100 996 08	replacement engine	02	1	M 96.03 M 660/661 M 249						
1	> 996 100 996 10	replacement engine	03	1	M 96.03 M 660/661 M 249						
1	> 996 100 996 19	replacement engine	04	1	M 96.03 M 660/661 M 249						
		technical information GRUPPE 1 NR.4/04 attention									
1	996 100 996 29	replacement engine	05	1	M 96.03 M 249 M 660/661						
		- - - E N D - - -									



Model	Year	MG	SG	Illustration	Restrictions	Update	11:47	23.08.2006	PORSCHE	PET	PORSCHE
996	05	1	01	101-05		203					

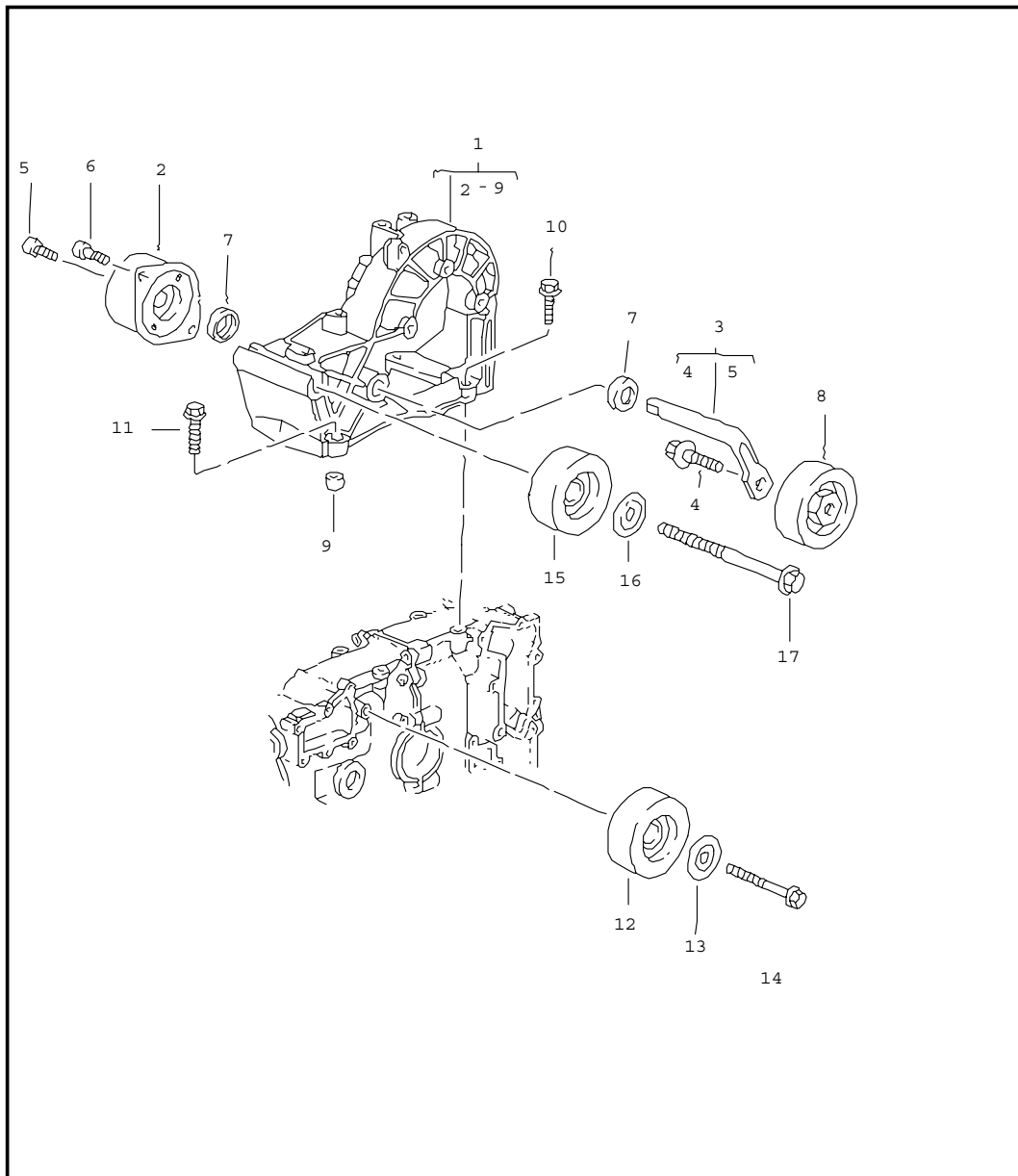


Pos	Part Number	Name	Remarks	Qty	Model
		crankcase	-01 02-		M96.01/02/04 M96.03
1	996 101 901 01	crankcase M >> 66X 11005 M >> 68X 05167 use also: 996 101 012 64 996 101 018 51	-01	1	
(1)	996 101 006 03	crankcase	02-	1	M 96.03
2	999 012 049 00	straight pin		3	
3	996 101 253 50	dowel sleeve		1	
3	996 101 253 51	dowel sleeve		1	
4	996 101 361 51	gasket		1	
5	996 101 363 50	gasket		1	
6	U 900 378 174 09	hexagon-head bolt M 6 X 35		25	
(6)	999 217 151 09	hexagon-head bolt M 6 X 35		25	
7	996 101 219 52	screw 9 X 150		1	
8	996 101 229 00	screw M 9 X 94		1	
9	996 101 203 00	screw 9 X 94		1	
10	999 701 789 40	o-ring 12 X 2 use also: grease 999 917 788 00		2	
11	999 095 043 01	dowel sleeve 17M 6 X 18,5		1	
11	999 095 043 01	dowel sleeve 17M 6 X 18,5		4	
12	996 101 021 51	cover		1	
13	996 101 331 50	gasket		1	
14	900 378 103 09	hexagon-head bolt M 6 X 20		10	
15	996 101 216 51	cover		1	
15	996 101 016 00	cover		1	
16	996 101 336 50	gasket		1	

Model	Year	MG	SG	Illustration	Restrictions	Update	11:47	23.08.2006	PORSCHE	PET	PORSCHE
996	05	1	01	101-05		203					

Pos	Part Number	Name	Remarks	Qty	Model	Pos	Part Number	Name	Remarks	Qty	Model
17	900 378 035 09	hexagon-head bolt M 6 X 16		24		34	900 378 108 09	hexagon-head bolt AM 8 X 35	01-	2	
18	900 123 147 30	sealing ring A 27 X 32		1		35	900 095 137 01	roll pin 5,0 X 12		2	
19	900 219 017 30	screw plug M 27 X 2		1		36	996 101 613 50	support		1	M 249
20	014 301 153 B	dowel sleeve 13 X 16 X13,5		2		37	900 377 010 09	hexagon nut M 6		1	M 249
21	996 101 213 56	holder		1		38	999 218 110 09	stud M 10 X 102		4	
21	996 101 213 57	holder		1		--	900 036 029 02	cover B 16		2	
22	A 996 107 031 54	oil pan	-97	1		--	999 036 005 02	cover B 50		2	
22	996 107 031 55	oil pan	98-	1							
23	900 219 009 30	screw plug M 18 X 1,5		1							
24	900 123 106 30	sealing ring A 18 X 24		1							
25	996 107 243 51	bulkhead		1							
26	996 113 140 53	cover		1							
27	996 113 233 50	gasket		1							
28	996 113 340 50	cover		1							
29	996 113 213 51	gasket		1							
30	000 043 203 73	sealing compound 30 ML		X							
(30)	000 043 204 35	sealing compound 50 ML		X							
31	A 986 606 112 01	pulse sender		1							
31	986 606 112 02	pulse sender	-02	1							
31	986 606 112 03	pulse sender	03-	1							
32	999 218 005 02	pan-head screw M 6 X 16		1							
33	996 606 121 00	knock sensor		2							
33	996 606 125 00	knock sensor		2							
34	A 900 378 033 09	hexagon-head bolt AM 8 X 30	-00	2							

Model	Year	MG	SG	Illustration	Restrictions	Update	11:48	23.08.2006	PORSCHE	PET	PORSCHE
996	05	1	01	101-10		203					

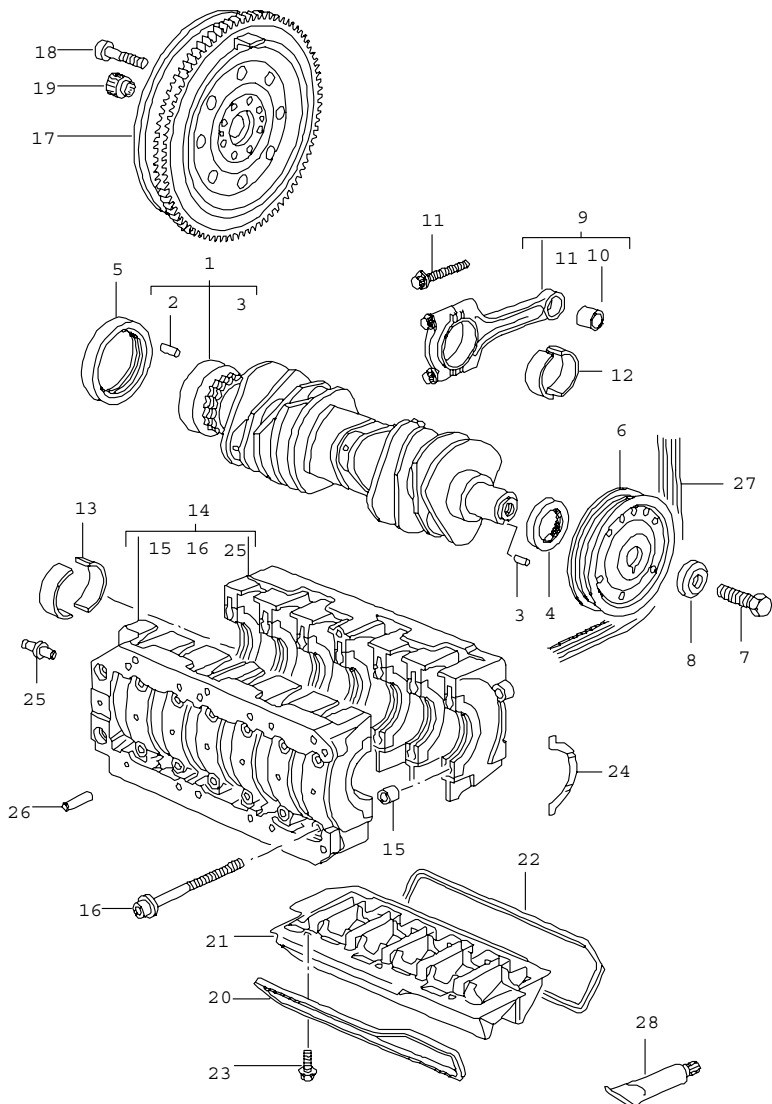


Pos	Part Number	Name	Remarks	Qty	Model
		belt tensioner belt drive	-01 02-		M96.01/02/04 M96.03
1	A 996 102 016 62	bracket	-98	1	
1	A 996 102 016 64	bracket	-98	1	
1	996 102 016 66	bracket	-01	1	
1	996 102 016 67	bracket	-01	1	
1	996 102 016 69	bracket	02-	1	M96.03
2	996 102 260 50	tensioner		1	
3	996 102 360 51	lever		1	
4	A 999 072 039 09	hexagon-head bolt M 10 X 30	-98	1	
4	999 072 041 09	hexagon-head bolt M 10 X 30		1	
5	900 067 117 09	pan-head screw M 6 X 16		1	
6	999 067 045 09	pan-head screw M 8 X 22		2	
7	996 102 365 50	dust boot		2	
8	A 996 102 117 54	tensioning roller		1	
8	996 102 117 56	tensioning roller		1	M 249
(8)	997 102 117 00	tensioning roller		1	M 480
9	999 095 064 00	dowel sleeve 12 M 6 X 13		2	
10	900 378 022 09	hexagon-head bolt AM 8 X 25		2	
11	900 378 108 09	hexagon-head bolt AM 8 X 35		2	
12	A 996 102 119 57	deflection roller	-01	1	
12	996 102 119 58	deflection roller	02-	1	M 249
(12)	997 102 119 00	deflection roller		1	M 480
13	A 996 102 127 52	cover disc		1	
13	996 102 127 54	cover disc		1	

Model	Year	MG	SG	Illustration	Restrictions	Update	11:48	23.08.2006	PORSCHE	PET	PORSCHE
996	05	1	01	101-10		203					

Pos	Part Number	Name	Remarks	Qty	Model	Pos	Part Number	Name	Remarks	Qty	Model
14	900 378 150 09	hexagon-head bolt AM 8 X 55 M >> 66X 06240 M >> 68X 02730		1							
14	A 900 378 159 09	hexagon-head bolt		1							
14	900 378 056 02	hexagon-head bolt AM 8 X 60 M 66X 06241 >> M 68X 02731 >>		1							
15	A 996 102 118 53	deflection roller	-01	1							
15	996 102 118 56	deflection roller	02-	1	M 249						
(15)	997 102 118 00	deflection roller		1	M 480						
16	996 102 125 52	cover disc		1							
16	A 996 102 125 53	cover disc		1							
17	900 378 181 09	hexagon-head bolt M 10 X 145  - - - E N D - - -		1							

Model	Year	MG	SG	Illustration	Restrictions	Update	11:48	23.08.2006	PORSCHE	PET	PORSCHE
996	05	1	02	102-00		203					

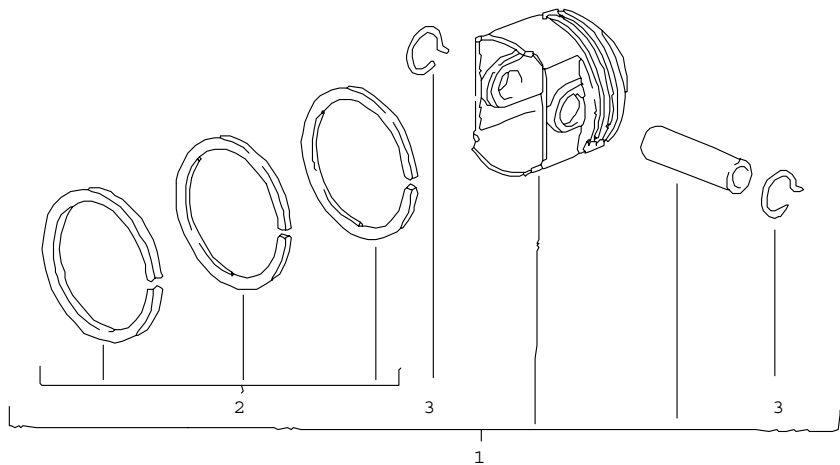


Pos	Part Number	Name	Remarks	Qty	Model
		crankshaft	-01 02-		M96.01/02/04 M96.03
1	A 996 102 011 54	crankshaft	98	1	
1	A 996 102 011 55	crankshaft	99	1	
1	996 102 011 57	crankshaft see technical information group 1 NR. 10/00	00	1	
(1)	996 102 011 56	crankshaft see technical information group 1 NR. 10/00	01	1	
(1)	996 102 012 02	crankshaft	02-	1	M 96.03
2	900 095 031 01	roll pin 6,0 X 16		1	
3	A 900 012 154 00	straight pin A 4,0 X 10	-01	1	
3	900 302 021 00	straight pin A 4,0 X 10	02-	1	M 96.03
4	999 113 475 40	shaft seal 40 X 62 X 10		1	
5	A 999 113 476 40	shaft seal 85 X 105 X 11		1	
5	U 999 113 490 40	shaft seal 85 X 105 X 11		1	
5	997 101 212 00	shaft seal 85 x 105 x 11		1	
6	996 102 115 62	pulley	-01	1	
(6)	996 102 115 63	pulley	02-	1	M 96.03
7	900 082 085 09	hexagon-head bolt M 16 X 1,5 X 60		1	
8	996 102 315 50	thrust washer		1	
(9)	996 103 975 01	connecting rod set connecting rods comprising: 6 connecting rods see workshop manual 986 GR.1-1	-01	1	

Model	Year	MG	SG	Illustration	Restrictions	Update	11:48	23.08.2006	PORSCHE	PET	PORSCHE
996	05	1	02	102-00		203					

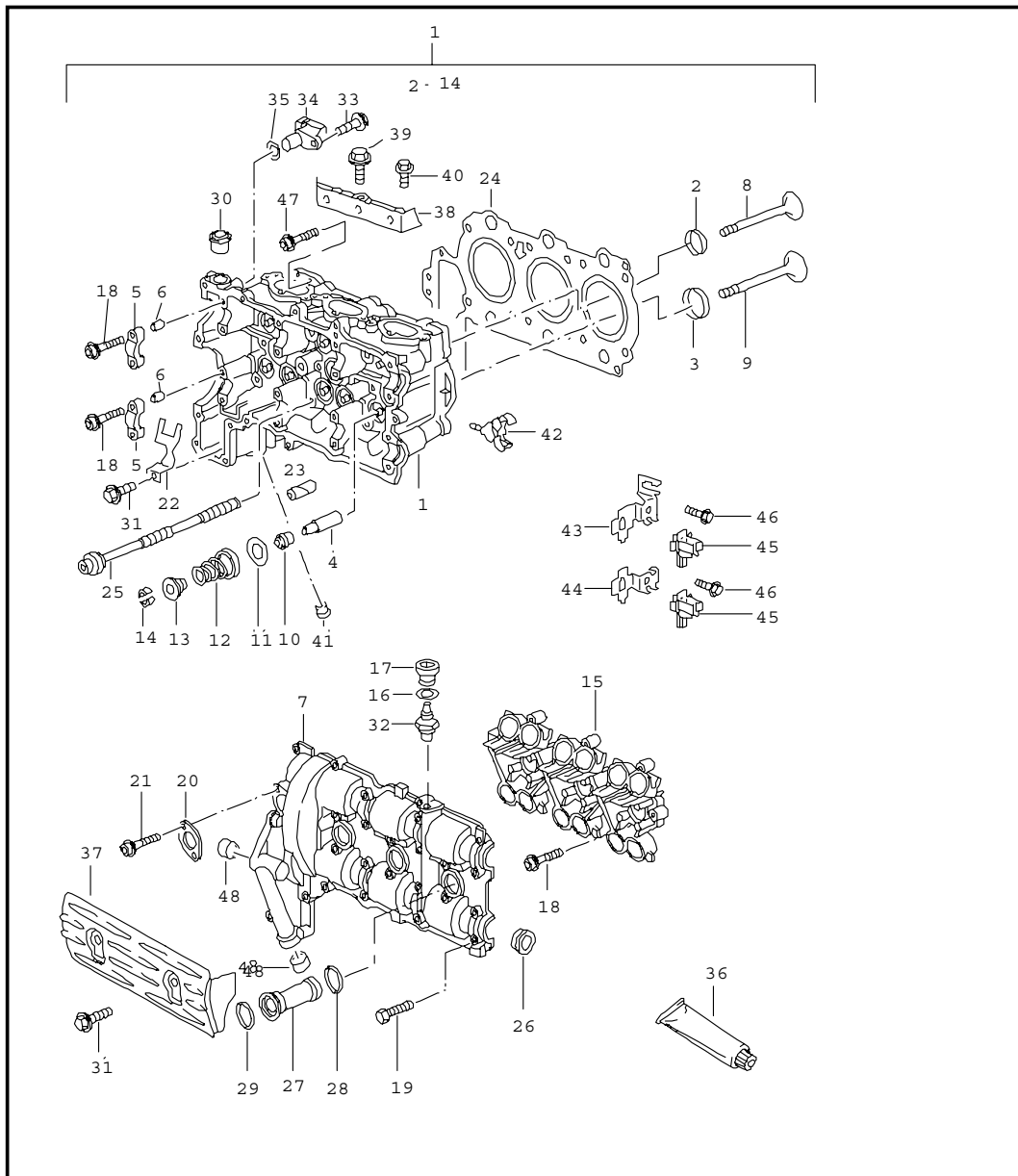
Pos	Part Number	Name	Remarks	Qty	Model	Pos	Part Number	Name	Remarks	Qty	Model
(9) A	996 103 985 00	connecting rod set connecting rods comprising: 6 connecting rods see workshop manual 986 GR.1-1	02-	1	M 96.03	19	999 052 210 00	deep-groove ball bearing 15 X 35 X 11		1	
						20	996 101 241 51	gasket		1	
						21	996 101 016 50	oil separator	-01	1	
						(21)	996 101 010 00	oil separator	02-	1	M 96.03
(9)	996 103 985 01	connecting rod set connecting rods comprising: 6 connecting rods see workshop manual 986 GR.1-1	02-	1	M 96.03	22	996 101 242 51	gasket		1	
						23	999 218 005 02	pan-head screw M 6 X 16		6	
						24	A 996 101 129 51	thrust washer		2	
						(24)	996 101 129 52	thrust washer	-01	2	
10	996 103 111 51	connecting rod bush		6		(24)	996 101 132 00	thrust washer	02-	2	M 96.03
11 U	996 103 115 51	connecting rod bolt		12		25	996 101 117 53	straight pin		1	
11	997 103 115 01	connecting rod bolt		12		26	996 101 018 51	splash valve		6	
12	996 103 121 62	connecting-rod bearing		12		27	996 102 151 65	poly-rib belt		1	
13	996 101 205 10	crankshaft bearing	-01	14		27	996 102 151 64	poly-rib belt		1	M 573
13	996 101 209 01	crankshaft bearing	02-	14	M 96.03	28	000 043 204 17	grease 100 GR.		X	
14	996 101 012 61	gear carrier use also: 996 101 018 51	-98	1				- - - E N D - - -			
(14)	996 101 012 64	gear carrier use also: 996 101 018 51	-98	1							
(14)	996 101 007 05	gear carrier use also: 996 101 018 51	-01	1							
(14)	996 101 057 03	gear carrier use also: 996 101 018 51	02-	1	M 96.03						
15	999 095 064 00	dowel sleeve 12 M 6 X 13		3							
16	996 101 115 59	screw M 9 X 127		14							
17	996 114 012 03	double-mass flywheel		1							
18	999 073 092 09	pan-head screw M 10 X 1 X 50		8							

Model	Year	MG	SG	Illustration	Restrictions	Update	11:48	23.08.2006	PORSCHE	PET	PORSCHE
996	05	1	02	102-05		203					



Pos	Part Number	Name	Remarks	Qty	Model
		piston	-01		M96.01/02/04
			02-		M96.03
1	996 103 051 18	piston tolerance range X number plate - 544 - 547 G	-01	6	
1	996 103 051 19	piston tolerance range X number plate + 547 - 550 G	-01	6	
1	996 103 052 09	piston tolerance range X number plate - 526 - 532 G	02-	6	M 96.03
1	996 103 052 10	piston tolerance range X number plate + 532 - 538 G	02-	6	M 96.03
2	996 103 053 02	set of piston rings	-01	6	
(2)	996 103 053 04	set of piston rings	02-	6	M 96.03
3	A 996 103 141 02	circlip	-99	12	
3	996 103 141 03	circlip	00-	12	
		- - - E N D - - -			

Model	Year	MG	SG	Illustration	Restrictions	Update	11:48	23.08.2006	PORSCHE	PET	PORSCHE
996	05	1	03	103-00		203					



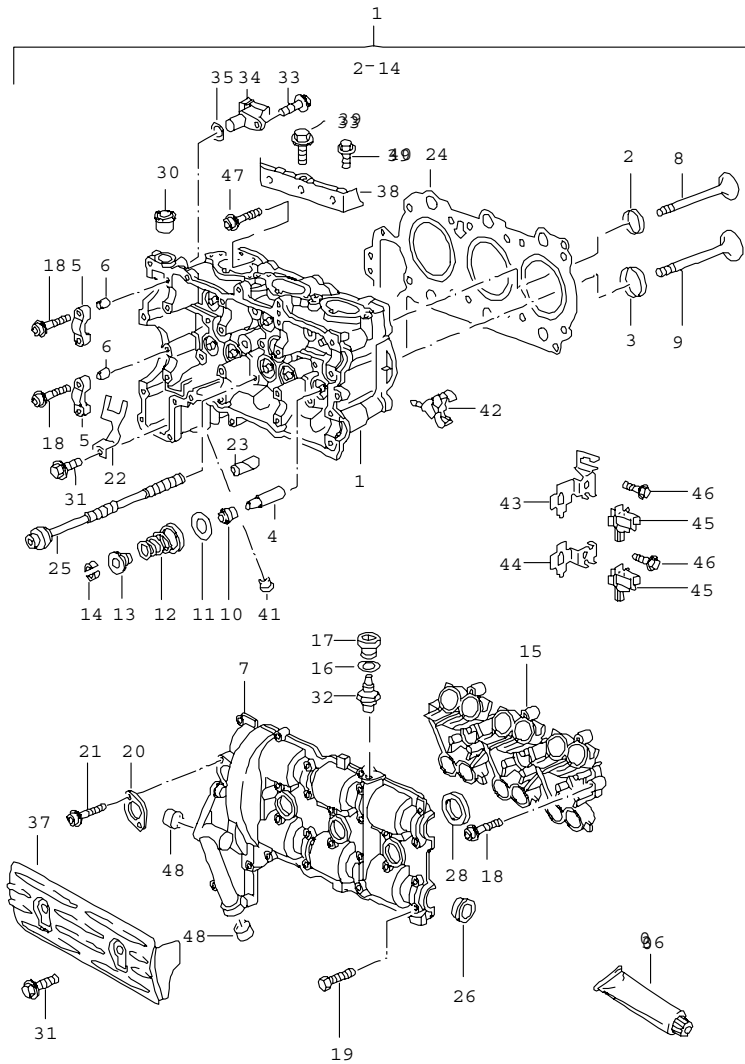
Pos	Part Number	Name	Remarks	Qty	Model
		cylinder head	-01		M96.01/02/04
1	A 996 104 003 02	cylinder head cylinder 1-3		1	
1	A 996 104 003 03	cylinder head cylinder 1-3		1	
1	996 104 003 05	cylinder head cylinder 1-3		1	
1	A 996 104 004 02	cylinder head cylinder 4-6		1	
1	A 996 104 004 03	cylinder head cylinder 4-6		1	
1	996 104 004 05	cylinder head cylinder 4-6		1	
5	-	housing matching with: cylinder head		4	
6	996 104 117 50	dowel sleeve		16	
7	-	cover matching with: cylinder head		2	
8	996 105 111 52	intake valve		12	
9	A 996 105 113 59	exhaust valve	-98	12	
9	996 105 247 00	exhaust valve	99-	12	
10	996 105 115 52	valve stem seal		24	
11	996 105 117 51	concave washer		24	
12	996 105 119 53	valve spring		24	
13	996 105 121 54	concave washer		24	
14	996 105 123 51	valve collet		48	
15	996 104 105 53	housing	-01	2	
16	N 013 814 8	sealing ring A 14 X 18		1	



Model	Year	MG	SG	Illustration	Restrictions	Update	11:48	23.08.2006	PORSCHE	PET	PORSCHE
996	05	1	03	103-00		203					

Pos	Part Number	Name	Remarks	Qty	Model	Pos	Part Number	Name	Remarks	Qty	Model
16	900 123 007 30	sealing ring A 14 X 18		1		30	996 104 207 53	connection piece		1	
17	900 219 018 30	screw plug M 14 X 1,5		1		31	900 378 163 09	hexagon-head bolt M 6 X 16		5	
18	900 067 316 02	screw M 6 X 35		38		32	996 606 203 00	oil pressure switch		1	
19	U 900 378 177 09	hexagon-head bolt		23		33	999 218 005 02	pan-head screw M 6 X 16		2	M 660
(19)	999 217 155 09	hexagon-head bolt AM 6 X 30		23		34	996 606 106 02	hall sender		2	M 660
20	A 996 105 223 51	cover		2		35	999 707 404 40	o-ring 17,05 X 1,78		1	M 660
20	996 105 223 52	cover		2		36	000 043 203 73	sealing compound 30 ML		X	
21	900 378 030 09	hexagon-head bolt M 6 X 20		4		(36)	000 043 204 35	sealing compound 50 ML		X	
22	996 104 233 01	cover plate		1		37	996 104 425 02	cover plate		2	
23	000 043 203 64	assembly kit for valve stem seal		1		38	996 104 125 00	bracket		2	
23	000 043 204 46	sleeve for valve stem seal		1		39	900 378 108 09	hexagon-head bolt M 8 X 35		4	
24	996 104 270 05	cylinder head gasket cylinder 1 - 3		1		40	900 378 017 09	hexagon-head bolt M 8 X 20		2	
(24)	996 104 269 00	cylinder head gasket cylinder 4 - 6		1		41	999 036 026 02	cover 10 MM		X	
25	996 104 180 56	screw M 10 X 230		24		42	999 507 075 40	cable holder 3,0 - 12		2	
25	996 104 180 58	screw M 10 X 230		24		43	996 607 105 00	support		1	
26	996 104 215 54	cover		6		44	996 607 103 00	support		1	
27	996 105 325 52	pipe use also: grease 999 917 788 00		6		45	986 607 104 00	support		2	
28	999 707 343 40	o-ring 25,07 X 2,62		6		46	900 378 036 09	hexagon-head bolt M 6 X 12		2	
29	999 707 215 40	o-ring 27,94 X 5,33		6		47	900 067 377 09	pan-head screw M 6 X 30		8	
						48	900 036 023 02	cover D 18		2	
								- - - E N D - - -			

Model	Year	MG	SG	Illustration	Restrictions	Update	11:49	23.08.2006	PORSCHE	PET	PORSCHE
996	05	1	03	103-01		203					

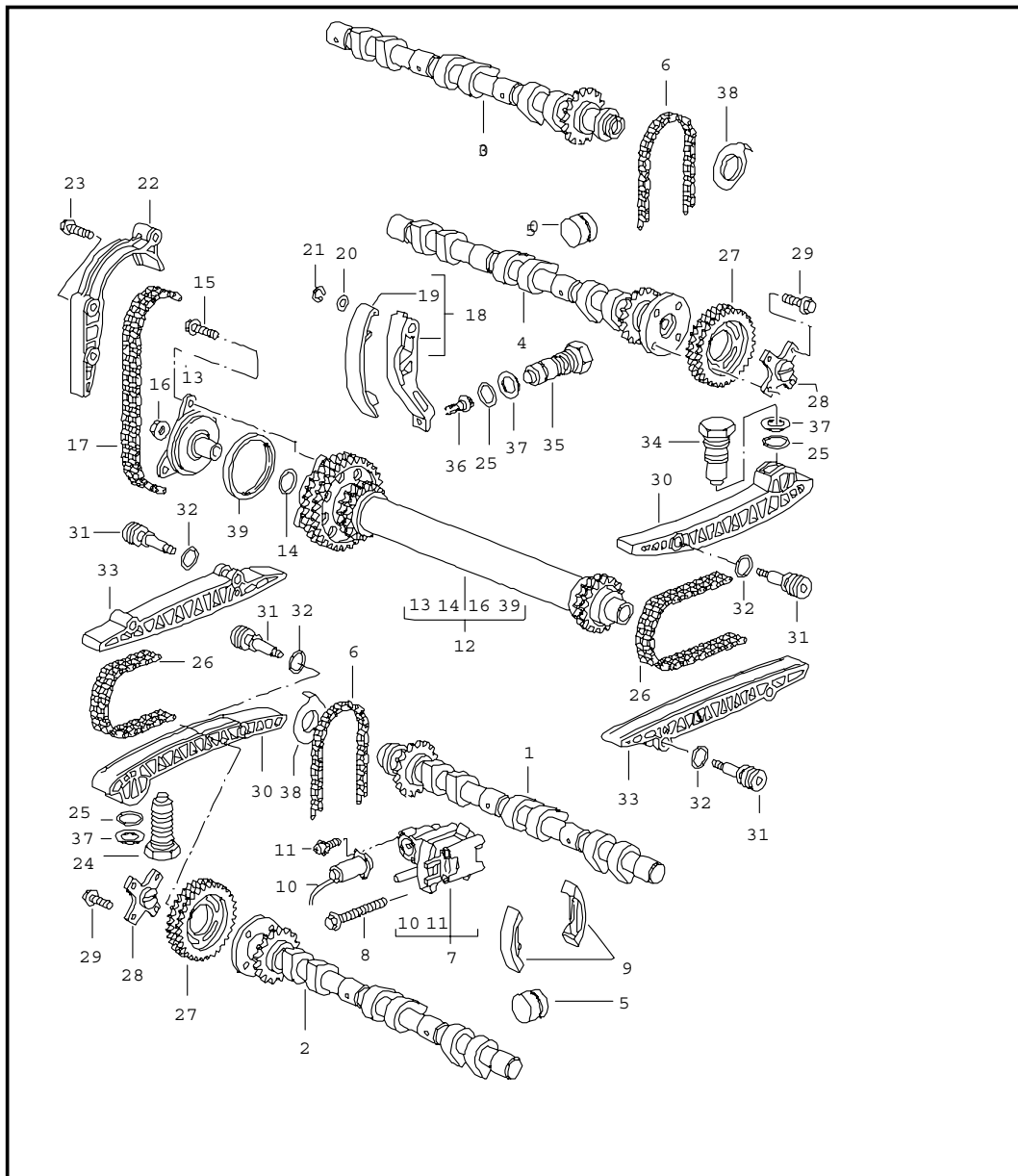


Pos	Part Number	Name	Remarks	Qty	Model
		cylinder head	02-		M96.03
1	A 996 104 903 00	cylinder head cyl. 1 - 3		1	
(1)	N 996 104 909 00	cylinder head cyl. 1 - 3		1	
1	996 104 905 00	cylinder head cyl. 1 - 3		1	X51
(1)	996 104 904 00	cylinder head cyl. 4 - 6 M >> 663 09950		1	
(1)	996 104 908 00	cylinder head cyl. 4 - 6 M 663 09951 >>		1	
(1)	996 104 906 00	cylinder head cyl. 4 - 6 M >> 683 00433		1	X51
(1)	996 104 910 00	cylinder head cyl. 4 - 6 M 683 00434 >>		1	X51
5	-	housing matching with: cylinder head		4	
6	996 104 117 50	dowel sleeve		16	
7	-	cover matching with: cylinder head		2	
8	996 105 271 00	intake valve		12	
9	996 105 273 01	exhaust valve		12	
9	996 105 273 03	exhaust valve		12	
10	996 105 115 52	valve stem seal		24	
11	996 105 117 51	concave washer lower		12	
12	996 105 118 00	valve spring exhaust		12	
12	996 105 118 01	valve spring exhaust		12	
13	996 105 121 54	concave washer upper		12	

Model	Year	MG	SG	Illustration	Restrictions	Update	11:49	23.08.2006	PORSCHE	PET	PORSCHE
996	05	1	03	103-01		203					

Pos	Part Number	Name	Remarks	Qty	Model	Pos	Part Number	Name	Remarks	Qty	Model
--	996 105 147 00	concave washer lower		12		30	996 104 207 53	connection piece		1	
--	996 105 939 00	set of valve springs intake		12		31	900 378 163 09	hexagon-head bolt M 6 X 16		5	
--	996 105 145 00	concave washer upper		12		32	996 606 203 00	oil pressure switch		1	
14	996 105 123 51	valve collet		48		33	999 218 005 02	pan-head screw M 6 X 16		2	M 660
15	996 104 042 00	housing cam follower hydraulic cam follower hydraulic cam follower hydraulic	02	2		34	996 606 106 02	hall sender	-02	2	M 660
						34	996 606 106 03	hall sender	03-	2	M 660
						35	999 707 404 40	o-ring 17,05 X 1,78		1	M 660
						36	000 043 204 35	sealing compound 50 ML		X	
16	900 123 007 30	sealing ring A 14 X 18		1		37	996 104 445 01	cover plate		2	
17	900 219 018 30	screw plug M 14 X 1,5		1		37	996 104 445 02	cover plate		2	
18	900 067 316 02	screw M 6 X 35		38		38	996 104 126 00	bracket		2	
19	999 217 155 09	hexagon-head bolt AM 6 X 30		23		39	900 378 022 09	hexagon-head bolt M 8 X 35		4	
20	996 105 244 02	cover		4		40	900 378 017 09	hexagon-head bolt M 8 X 20		2	
20	996 105 244 03	cover		4		41	999 036 026 02	cover 10 MM		X	
21	900 378 030 09	hexagon-head bolt M 6 X 20		4		42	999 507 075 40	cable holder 3,0 - 12		2	
22	996 104 233 01	cover plate		1		47	900 067 377 09	pan-head screw M 6 X 30		8	
23	000 043 204 46	sleeve for valve stem seal		1		48	900 036 023 02	cover D 18		2	
24	996 104 201 02	cylinder head gasket		2		--	996 104 216 02	cover		2	
25	996 104 180 58	screw M 10 X 230		24		--	996 105 703 01	oil strainer		2	
26	996 104 215 54	cover		4				- - - E N D - - -			
27	996 105 325 52	pipe		6							
28	996 104 203 00	gasket		6							
29	999 701 761 40	o-ring 28 X 2		6							

Model	Year	MG	SG	Illustration	Restrictions	Update	11:49	23.08.2006	PORSCHE	PET	PORSCHE
996	05	1	03	103-10		203					



Pos	Part Number	Name	Remarks	Qty	Model
		camshaft driving mechanism	-01		M96.01/02/04
1	996 105 221 55	camshaft intake cylinder 1 - 3		1	
2	996 105 222 55	camshaft exhaust cylinder 1 - 3		1	
3	996 105 216 55	camshaft intake cylinder 4 - 6		1	
4	996 105 218 55	camshaft exhaust cylinder 4 - 6		1	
5	A 996 105 041 50	hydraulic valve tappet		24	
5	996 105 041 72	hydraulic valve tappet		24	
6	996 105 170 53	timing chain		2	
7	A 996 105 051 57	tensioner cylinder 1 - 3	-98	1	
7	996 105 051 58	tensioner cylinder 1 - 3	99-	1	
(7)	A 996 105 053 57	tensioner cylinder 4 - 6	-98	1	
(7)	996 105 053 58	tensioner cylinder 4 - 6	99-	1	
8	900 067 372 09	screw M 6 X 95		6	
9	996 105 253 00	parts kit guide piece		1	
10	996 605 901 00	solenoid valve cylinder 1 - 3 black		1	

Model	Year	MG	SG	Illustration	Restrictions	Update	11:49	23.08.2006	PORSCHE	PET	PORSCHE
996	05	1	03	103-10		203					

Pos	Part Number	Name	Remarks	Qty	Model	Pos	Part Number	Name	Remarks	Qty	Model
10	996 605 902 00	solenoid valve cylinder 4 - 6 grey see workshop manual GR.1 15/05/33		1		(13)	996 105 024 01	housing M 661 14165 >> see technical information group 1 NR. 10/00		1	
11	999 141 032 07	screw see technical information group 1 NR. 10/00		2		14	999 707 392 40	o-ring 7 X 2 see technical information group 1 NR. 10/00		1	
12	A 996 105 015 58	intermediate shaft see technical information group 1 NR. 10/00	-98	1		15	U 900 378 156 09	hexagon-head bolt M 6 X 20 see technical information group 1 NR. 10/00		3	
12	A 996 105 015 63	intermediate shaft see technical information group 1 NR. 10/00	-00	1		(15)	999 217 150 09	hexagon-head bolt M 6 X 20 see technical information group 1 NR. 10/00		3	
(12)	996 105 901 00	intermediate shaft see technical information group 1 NR. 10/00	-00	1		16	900 380 019 02	hexagon nut M 8 X 1 see technical information group 1 NR. 10/00		1	
(12)	996 105 901 01	intermediate shaft M >> 661 14164 see technical information group 1 NR. 10/00	01	1		17	996 105 171 55	timing chain see technical information group 1 NR. 10/00	-00	1	
(12)	996 105 901 02	intermediate shaft M 661 14165 >> see technical information group 1 NR. 10/00		1		(17)	996 105 171 56	timing chain see technical information group 1 NR. 10/00	01	1	
13	U 999 707 391 40	o-ring 52 X 2,5 see technical information group 1 NR. 10/00 see technical information group 1 NR. 10/00		1		18	996 105 165 55	tensioner blade see technical information group 1 NR. 10/00		1	
13	996 105 017 02	housing M >> 661 14164 see technical information group 1 NR. 10/00		1		19	996 105 195 00	pad see technical information group 1 NR. 10/00		1	
						20	900 234 040 01	shim 10 X 16 X 1,2 see technical information group 1 NR. 10/00		1	

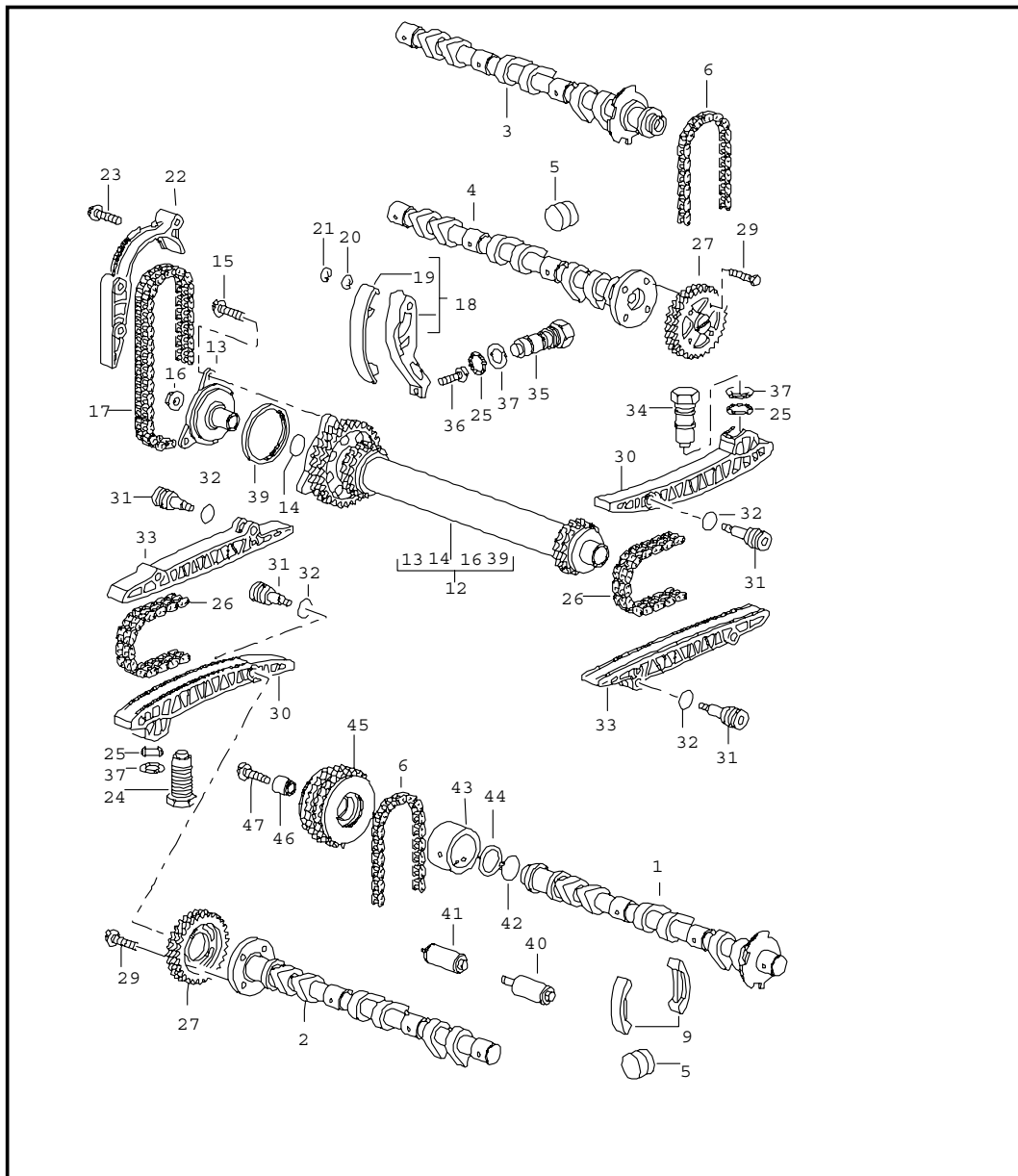
Model	Year	MG	SG	Illustration	Restrictions	Update	11:49	23.08.2006	PORSCHE	PET	PORSCHE
996	05	1	03	103-10		203					

Pos	Part Number	Name	Remarks	Qty	Model	Pos	Part Number	Name	Remarks	Qty	Model
21	900 041 004 01	circlip 10 X 1 see technical information group 1 NR. 10/00		1		29	900 378 162 09	hexagon-head bolt M 6 X 15 for 996 105 178 52 see technical information group 1 NR. 10/00		8	
22	996 105 166 51	guide piece see technical information group 1 NR. 10/00		1		29	900 378 204 09	hexagon-head bolt M 6 X 12 for 996 105 178 53 see technical information group 1 NR. 10/00		8	
23	900 075 486 01	screw AM 6 X 40 see technical information group 1 NR. 10/00		3		29	900 378 242 09	hexagon-head bolt M 6 X 12 for 996 105 178 53 see technical information group 1 NR. 10/00		8	
24	996 105 179 58	chain adjuster see technical information group 1 NR. 10/00		1		30	996 105 175 52	tensioner blade see technical information group 1 NR. 10/00		2	
25	999 707 344 40	o-ring 18,77 X 1,78 see technical information group 1 NR. 10/00		3		31	996 105 162 52	screw M 6 see technical information group 1 NR. 10/00		6	
26	996 105 177 52	timing chain see technical information group 1 NR. 10/00		2		32	999 707 346 40	o-ring 15 X 3 see technical information group 1 NR. 10/00		6	
27 A	996 105 178 52	sprocket see technical information group 1 NR. 10/00	-98	2		33	996 105 173 53	guide piece see technical information group 1 NR. 10/00		2	
27 A	996 105 178 53	sprocket see technical information group 1 NR. 10/00	-98	2		34	996 105 176 51	chain adjuster see technical information group 1 NR. 10/00		1	
(27)	996 105 178 54	sprocket with driver see technical information group 1 NR. 10/00		2		35	996 105 180 54	chain adjuster see technical information group 1 NR. 10/00	-00	1	
28 A	996 105 185 54	driver see technical information group 1 NR. 10/00	-98	2							

Model	Year	MG	SG	Illustration	Restrictions	Update	11:49	23.08.2006	PORSCHE	PET	PORSCHE
996	05	1	03	103-10		203					

Pos	Part Number	Name	Remarks	Qty	Model	Pos	Part Number	Name	Remarks	Qty	Model
35	996 105 180 55	chain adjuster see technical information group 1 NR. 10/00	-00	1							
(35)	996 105 180 56	chain adjuster see technical information group 1 NR. 10/00	01	1							
36	996 105 197 00	pressure pin		1							
37	900 123 147 30	sealing ring A 27 X 32		3							
38	996 105 129 52	rotor trim		1							
39	996 105 112 01	gasket see technical information group 1 NR. 10/00		1							
		- - - E N D - - -									

Model	Year	MG	SG	Illustration	Restrictions	Update	11:49	23.08.2006	PORSCHE	PET	PORSCHE
996	05	1	03	103-11		203					



Pos	Part Number	Name	Remarks	Qty	Model
		camshaft driving mechanism	02-		M96.03
		technical information NR. 2/04 group 1 attention			
1	996 105 035 00	camshaft intake cylinder 1 - 3		1	
1	996 105 035 40	camshaft intake cylinder 1 - 3		1	X51
2	U 996 105 262 05	camshaft exhaust cylinder 1 - 3		1	
(2)	996 105 059 00	camshaft exhaust cyl. 1 - 3		1	
3	996 105 036 00	camshaft intake cylinder 4 - 6		1	
3	996 105 036 40	camshaft intake cylinder 4 - 6		1	X51
4	U 996 105 264 05	camshaft exhaust cylinder 4 - 6		1	
(4)	996 105 060 00	camshaft exhaust cyl. 4 - 6		1	
5	996 105 041 72	hydraulic valve tappet exhaust		12	
(5)	996 105 255 20	hydraulic valve tappet intake		12	
6	996 105 168 03	rail		2	
7	996 105 051 03	camshaft adjuster cylinder 1 - 3		1	



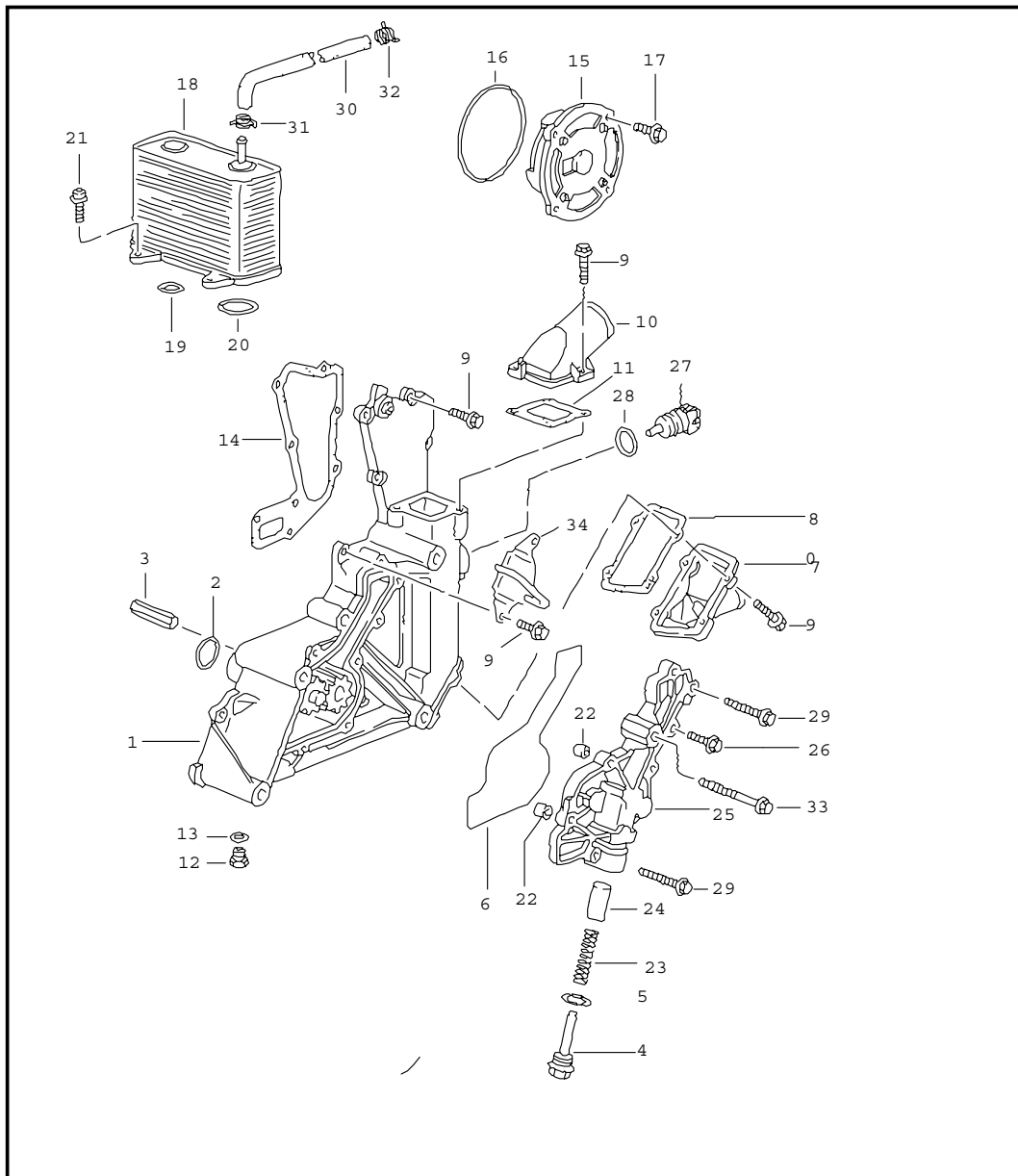
Model	Year	MG	SG	Illustration	Restrictions	Update	11:49	23.08.2006	PORSCHE	PET	PORSCHE
996	05	1	03	103-11		203					

Pos	Part Number	Name	Remarks	Qty	Model	Pos	Part Number	Name	Remarks	Qty	Model
8	900 067 372 09	screw M 6 X 95		6		27	996 105 178 54	sprocket with driver		2	
9	996 105 253 00	parts kit guide piece		1		29	900 378 242 09	hexagon-head bolt M 6 X 12		8	
10	996 605 901 00	solenoid valve cylinder 1 - 3 black		1		30	996 105 156 00	tensioner blade cylinder 1 - 3		1	
10	996 605 902 00	solenoid valve cylinder 4 - 6 grey see workshop manual GR.1 15/05/33		1		(30)	996 105 158 00	tensioner blade cylinder 4-6		1	
11	999 141 032 07	screw		2		31	996 105 162 52	screw M 6		6	
12	996 105 901 02	intermediate shaft		1		32	999 707 346 40	o-ring 15 X 3		6	
13	996 105 024 01	housing		1		33	996 105 054 01	guide piece cylinder 1 until cyl. 3		1	
14	999 707 392 40	o-ring 7 X 2		1		(33)	996 105 164 00	guide piece cyl. 4 until cyl. 6		1	
15	999 217 150 09	hexagon-head bolt M 6 X 20		3		34	996 105 188 00	chain adjuster		1	
16	900 380 019 02	hexagon nut M 8 X 1		1		35	996 105 180 55	chain adjuster		1	
17	996 105 171 56	timing chain		1		35	996 105 180 56	chain adjuster		1	
18	996 105 165 55	tensioner blade		1		36	996 105 197 00	pressure pin		1	
19	996 105 195 00	pad		1		37	900 123 147 30	sealing ring A 27 X 32		3	
20	900 234 040 01	shim 10 X 16 X 1,2		1		38	996 105 129 52	rotor trim		1	
21	900 041 004 01	circlip 10 X 1		1		39	996 105 112 01	gasket see technical information group 1 NR. 10/00		1	
22	996 105 166 51	guide piece		1		40 A	996 105 301 02	actuator		2	
23	900 075 486 01	screw AM 6 X 40		3		40	996 105 301 03	actuator valve		2	
24	996 105 186 00	chain adjuster		1		--	996 105 903 03	o-ring		X	
25	999 707 344 40	o-ring 18,77 X 1,78		3		--	996 105 310 03	support		2	
26	996 105 152 00	timing chain		2							

Model	Year	MG	SG	Illustration	Restrictions	Update	11:49	23.08.2006	PORSCHE	PET	PORSCHE
996	05	1	03	103-11		203					

Pos	Part Number	Name	Remarks	Qty	Model	Pos	Part Number	Name	Remarks	Qty	Model
--	999 651 386 02	cable clamp		4							
41	A 996 105 303 02	actuator		2							
41	996 105 303 05	actuator camshaft		2							
--	996 105 903 05	o-ring		X							
--	996 105 256 01	support		2							
42	996 105 280 50	ring		4							
43	996 104 205 06	bearing sleeve		2							
44	996 105 203 00	washer		2							
45	996 105 051 03	camshaft adjuster camshaft intake cylinder 1 - 3		1							
(45)	996 105 052 01	camshaft adjuster camshaft intake cylinder 4 - 6		1							
46	996 105 260 01	intermediate piece		2							
47	996 105 254 00	hexagon-head bolt		2							
		- - - E N D - - -									

Model	Year	MG	SG	Illustration	Restrictions	Update	11:49	23.08.2006	PORSCHE	PET	PORSCHE
996	05	1	04	104-00		203					

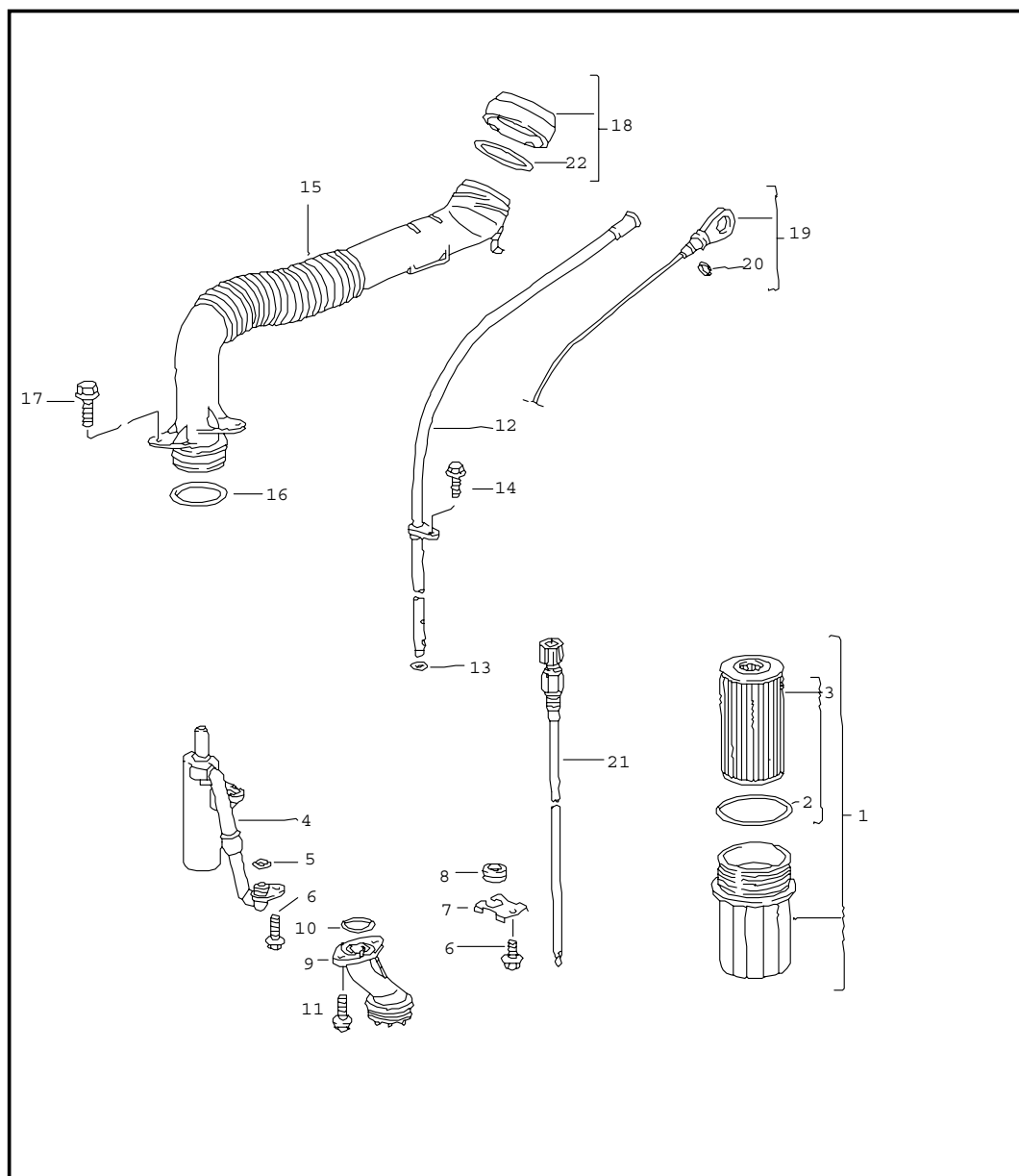


Pos	Part Number	Name	Remarks	Qty	Model
		oil pump	-01 02-		M96.01/02/04 M96.03
1	996 107 012 58	oil pump		1	
2	996 107 103 51	o-ring 29,1 X 2,55 use also: grease 999 917 788 00		2	
3	996 107 121 50	driver		1	
4	996 107 105 51	screw plug		1	
5	996 107 123 50	gasket		1	
6	996 107 261 50	sealing ring		1	
7	996 106 220 51	connection piece		1	
8	996 106 316 51	gasket		1	
9	900 378 030 09	hexagon-head bolt M 6 X 20		14	
10	996 106 216 53	connection piece		1	
11	996 106 321 50	gasket		1	
12	900 219 007 02	screw plug M 10 X 1		1	
13	900 123 144 30	sealing ring A 10 X 13,5		1	
14	996 107 337 50	gasket		1	
15	996 107 021 54	oil pump	-01	2	
15	996 107 021 55	oil pump	02-	2	
16	996 107 221 51	o-ring 95 X 2,5 use also: grease 999 917 788 00		2	
17	999 217 150 09	hexagon-head bolt M 6 X 20		8	
18	996 107 025 57	heat exchanger		1	
19	999 707 409 40	o-ring 26 X 3		2	
20	999 707 389 40	o-ring 35 X 4		2	

Model	Year	MG	SG	Illustration	Restrictions	Update	11:49	23.08.2006	PORSCHE	PET	PORSCHE
996	05	1	04	104-00		203					

Pos	Part Number	Name	Remarks	Qty	Model	Pos	Part Number	Name	Remarks	Qty	Model
21	900 067 380 09	pan-head screw M 6 X 18		4							
22	996 106 103 50	dowel sleeve 8,2 X 7		2							
23	996 107 127 53	spring		1							
24	996 107 125 51	piston		1							
25	996 107 212 53	cover for 996 107 012 56		1							
25	996 107 212 54	cover for 996 107 012 57		1							
26	900 075 333 02	hexagon-head bolt M 6 X 25		7							
27	996 606 405 01	temperature sensor	-01	1							
27	996 606 410 00	temperature sensor	02-	1							
28	---	sealing ring		1							
29	900 378 151 09	hexagon-head bolt M 6 X 70		2							
30	996 106 230 53	breather hose	01	1							
31	999 512 554 00	hose clamp 12 - 22 MM		1							
32	999 512 652 09	hose clamp 19 X 12	99-	1							
33	900 378 098 09	hexagon-head bolt AM 10 X 60		1							
34	A 996 102 235 00	clip		1	M 573						
34	996 102 235 01	clip		1	M 573						
		- - - E N D - - -									

Model	Year	MG	SG	Illustration	Restrictions	Update	11:50	23.08.2006	PORSCHE	PET	PORSCHE
996	05	1	04	104-05		203					

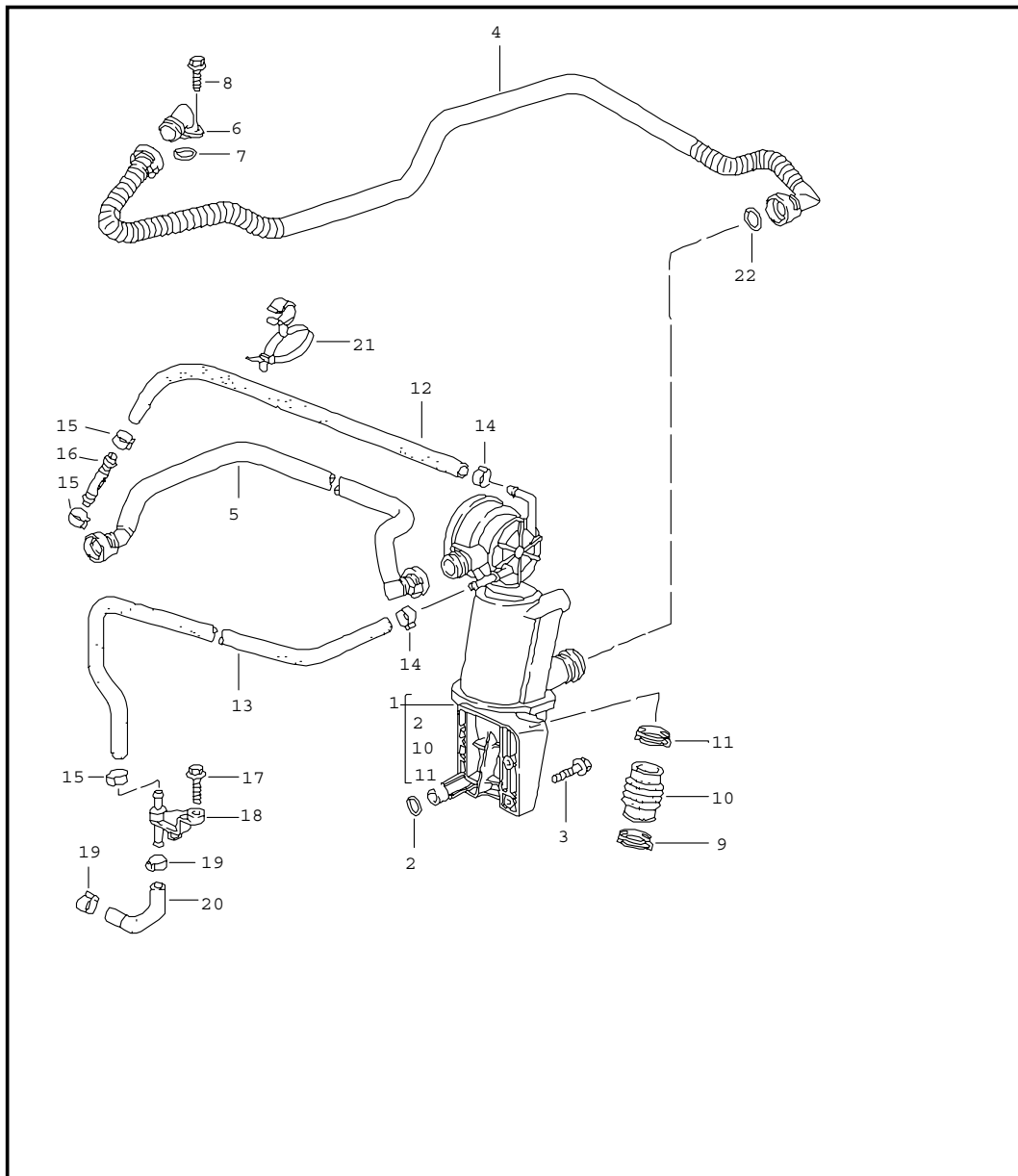


Pos	Part Number	Name	Remarks	Qty	Model
		engine lubrication	-01		M96.01/02/04
		see technical information	02-		M96.03
		group 1			
		NR.1/02 NR.2/02			
1	996 107 020 54	oil filter		1	
2	996 107 313 51	sealing ring		1	
		use also:			
		grease		1	
		999 917 788 00			
3	A 996 107 225 52	filter element	-01	1	M96.01/02/04
3	996 107 225 53	filter element	-01	1	M96.01/02/04
3	996 107 225 60	filter element	02-	1	M96.03
4	996 107 080 54	oil separator		2	
5	999 701 789 40	o-ring		2	
		12 X 2			
6	900 378 036 09	hexagon-head bolt		5	
		M 6 X 12			
7	996 107 333 50	support		1	
8	999 702 206 50	grommet		1	
		9,5 X 18,0 X 1,2			
9	996 107 075 57	suction tube		1	
10	999 707 375 40	o-ring		1	
		30 X 3			
11	900 378 030 09	hexagon-head bolt		2	
		M 6 X 20			
12	996 107 113 56	guide tube		1	
13	999 707 369 40	o-ring		1	
		9,5 X 3,5			
		use also:			
		grease		1	
		999 917 788 00			
14	900 378 035 09	hexagon-head bolt		1	
		M 6 X 16			
15	996 107 150 60	filler tube		1	
16	999 707 348 40	o-ring		1	
		42 X 4			
		use also:			
		grease		1	
		999 917 788 00			

Model	Year	MG	SG	Illustration	Restrictions	Update	11:50	23.08.2006	PORSCHE	PET	PORSCHE
996	05	1	04	104-05		203					

Pos	Part Number	Name	Remarks	Qty	Model	Pos	Part Number	Name	Remarks	Qty	Model
17	900 378 163 09	hexagon-head bolt M 6 X 16		2							
18	A 996 107 035 50	cover		1							
(18)	996 107 035 51	cover		1							
19	996 107 014 54	oil level dipstick M >> 662 11795		1	M96.03						
(19)	996 107 014 55	oil level dipstick M 662 11796 >>		1	M96.03						
20	999 707 402 40	o-ring 8 X 2,0		1							
21	996 606 150 00	oil-level sender		1							
--	999 650 168 40	plug socket		1							
--	999 650 214 12	connector		4							
--	999 650 215 40	gasket		4							
22	A 999 707 285 40	o-ring 51 X 4,5		1							
(22)	996 107 336 00	gasket		1							
		- - - E N D - - -									

Model	Year	MG	SG	Illustration	Restrictions	Update	11:50	23.08.2006	PORSCHE	PET	PORSCHE
996	05	1	04	104-10		203					



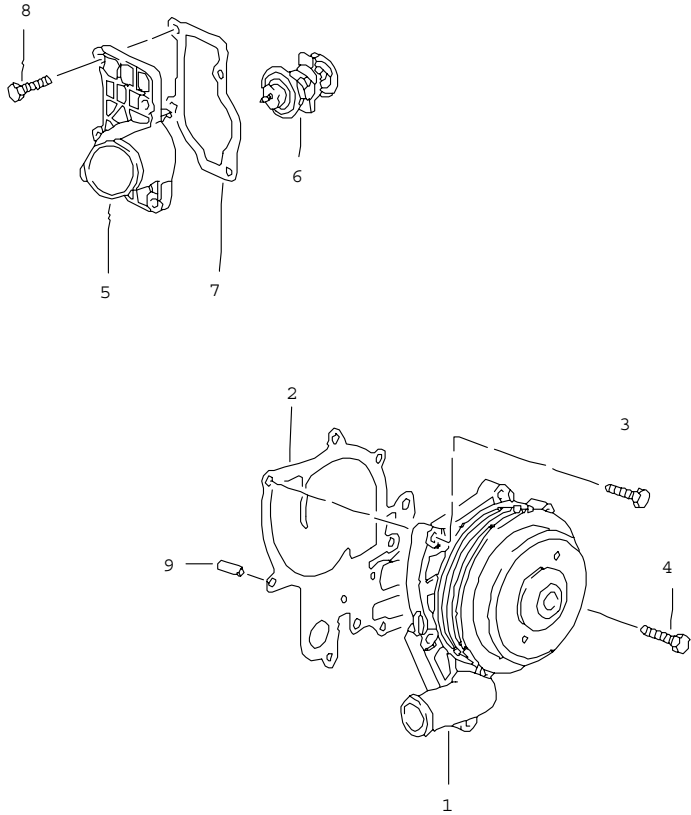
Pos	Part Number	Name	Remarks	Qty	Model
		crankcase bleeding	-01		M96.01/02/04
			02-		M96.03
1	996 107 023 54	oil separator	-01	1	
(1)	996 107 026 50	oil separator	02-	1	M 96.03
(2)	999 707 507 40	o-ring 29,74 X 2,95	02-	1	M 96.03
2	996 107 122 00	sealing ring 14 X 1,78	-01	1	
3	900 378 177 09	hexagon-head bolt M 6 X 30		2	
4	996 107 147 55	breather hose	-01	1	
5	996 107 145 55	breather hose	-01	1	
(5)	996 107 145 30	vent line	-01	1	M 339
			02-		M 96.03
(5)	996 107 147 59	vent line	02-	1	M 96.03
6	996 107 047 51	connection piece		1	
7	999 707 154 40	o-ring 18,77 X 1,78		1	
8	900 378 163 09	hexagon-head bolt M 6 X 16		1	
9	999 512 630 00	hose clamp 32 X 12		1	
(9)	999 512 683 09	clip 23 X 12	02-	2	M 96.03
10	A 996 107 237 51	bellows		1	
(10)	996 107 237 52	bellows	-01	1	
(10)	996 107 175 50	oil hose	02-	1	M 96.03
11	999 512 551 00	hose clamp 30 X 12	-01	1	
12	996 106 208 50	hose		1	
13	996 106 224 51	hose		1	
14	999 512 498 00	hose clamp 13,1 - 15,3		2	
15	999 512 568 02	clamp 13,9 - 16,1		3	

Model	Year	MG	SG	Illustration	Restrictions	Update	11:50	23.08.2006	PORSCHE	PET	PORSCHE
996	05	1	04	104-10		203					

Pos	Part Number	Name	Remarks	Qty	Model	Pos	Part Number	Name	Remarks	Qty	Model
16	999 137 052 40	intermediate piece GS 8		1							
17	900 378 035 09	hexagon-head bolt M 6 X 16		1							
18	A 996 106 226 51	socket		1							
18	996 106 226 52	socket		1							
19	999 512 633 00	clamp 15,6 - 17,8		2							
20	996 106 223 52	hose		1							
21	999 507 644 40	hose holder 8-33/-13		1							
22	999 707 446 40	o-ring 18,0 X 2,5		4							
		- - - E N D - - -									

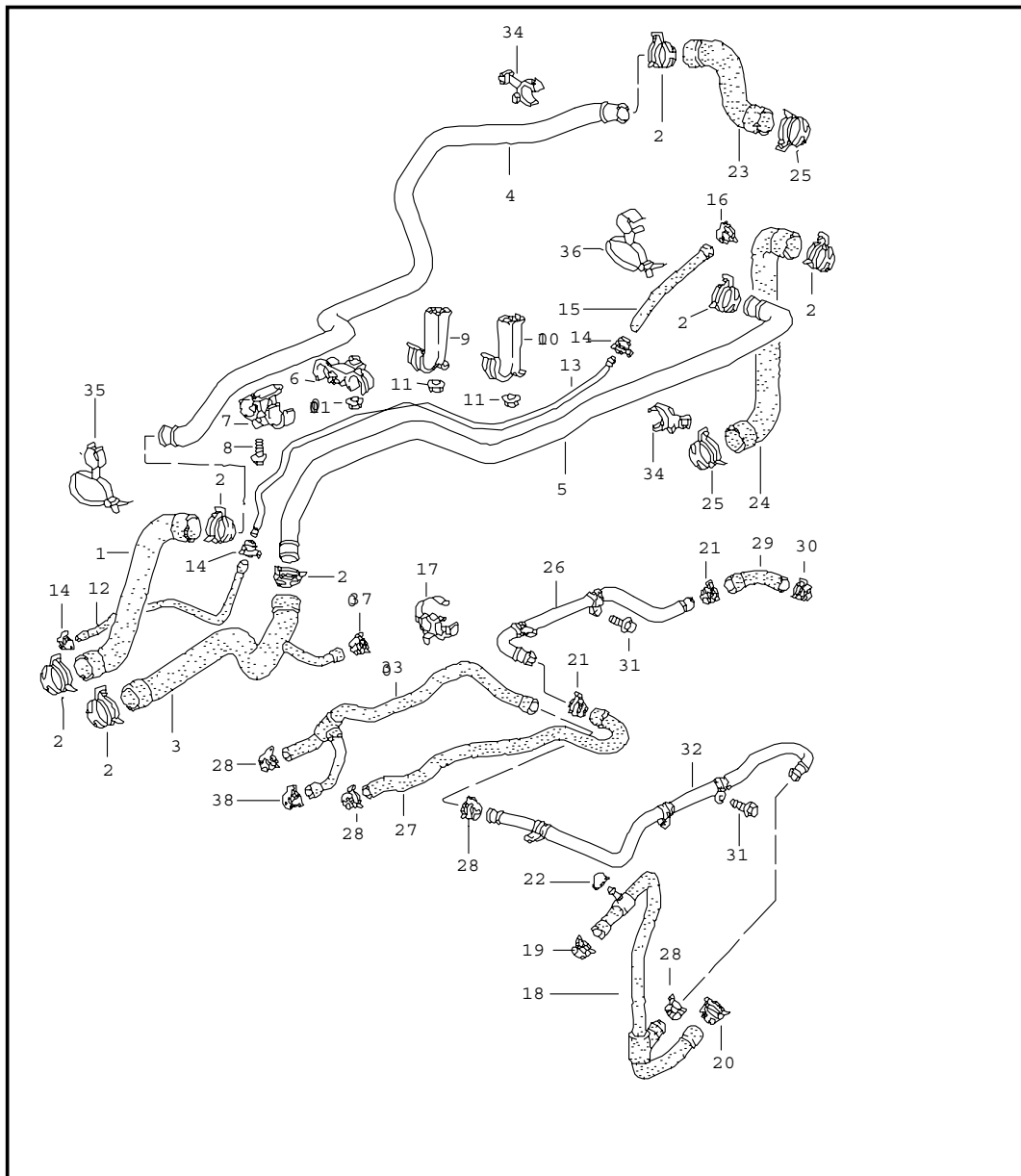


Model	Year	MG	SG	Illustration	Restrictions	Update	11:50	23.08.2006	PORSCHE	PET	PORSCHE
996	05	1	05	105-00		203					



Pos	Part Number	Name	Remarks	Qty	Model
		water pump thermostat housing	-01 02-		M96.01/02/04 M96.03
1	996 106 011 51	water pump		1	
2	996 106 340 51	gasket		1	
3	900 378 013 09	hexagon-head bolt M 6 X 25		5	
4	900 378 177 09	hexagon-head bolt AM 6 X 30		2	
5	996 106 121 53	cover		1	
6	996 106 125 52	thermostat insert		1	
7	996 106 326 50	gasket		1	
8	900 378 030 09	hexagon-head bolt M 6 X 20		4	
9	996 106 103 50	dowel sleeve 8,2 X 7		2	
- - - E N D - - -					

Model	Year	MG	SG	Illustration	Restrictions	Update	11:50	23.08.2006	PORSCHE	PET	PORSCHE
996	05	1	05	105-05		203					



Pos	Part Number	Name	Remarks	Qty	Model
		water cooling 1	-01 02-		M96.01/02/04 M96.03
1	996 106 640 54	water hose		1	M 338
1	996 106 840 05	hose	02-	1	M 338
1	996 106 740 04	water hose	99-01	1	M 339
1	996 106 740 73	hose	02-	1	M 339
2	999 512 348 02	hose clamp 49 X 12		8	
3	996 106 641 56	hose	-98	1	M 480
3	996 106 641 58	hose	99-01	1	M 480
3	996 106 841 04	hose	02-	1	M 338/480
3	996 106 741 06	hose	99-01	1	M 339/480
3	996 106 888 02	hose	02-	1	M 339/480
(3)	996 106 641 59	hose	99-01	1	M 249
(3)	996 106 741 07	hose	99-01	1	M 339/249
(3)	996 106 888 03	water hose	02-	1	M 339/249
(3)	996 106 841 05	water hose	02-	1	M 338/249
4	996 106 610 56	cooling water tube	-01	1	
4	996 106 610 74	water tube	02-	1	
4	A 996 106 710 03	water tube	-01	1	M 339
4	996 106 710 04	water tube	-01	1	M 339
-	996 106 505 00	protection cap		1	
5	996 106 609 56	cooling water tube return	-01	1	
(5)	996 106 809 01	cooling water tube return	02-	1	
6	A 996 106 416 54	support		2	
6	996 106 416 55	support		2	
7	996 106 475 51	support		1	
8	900 378 158 09	hexagon-head bolt M 6 X 16		2	
9	996 106 417 51	support		1	

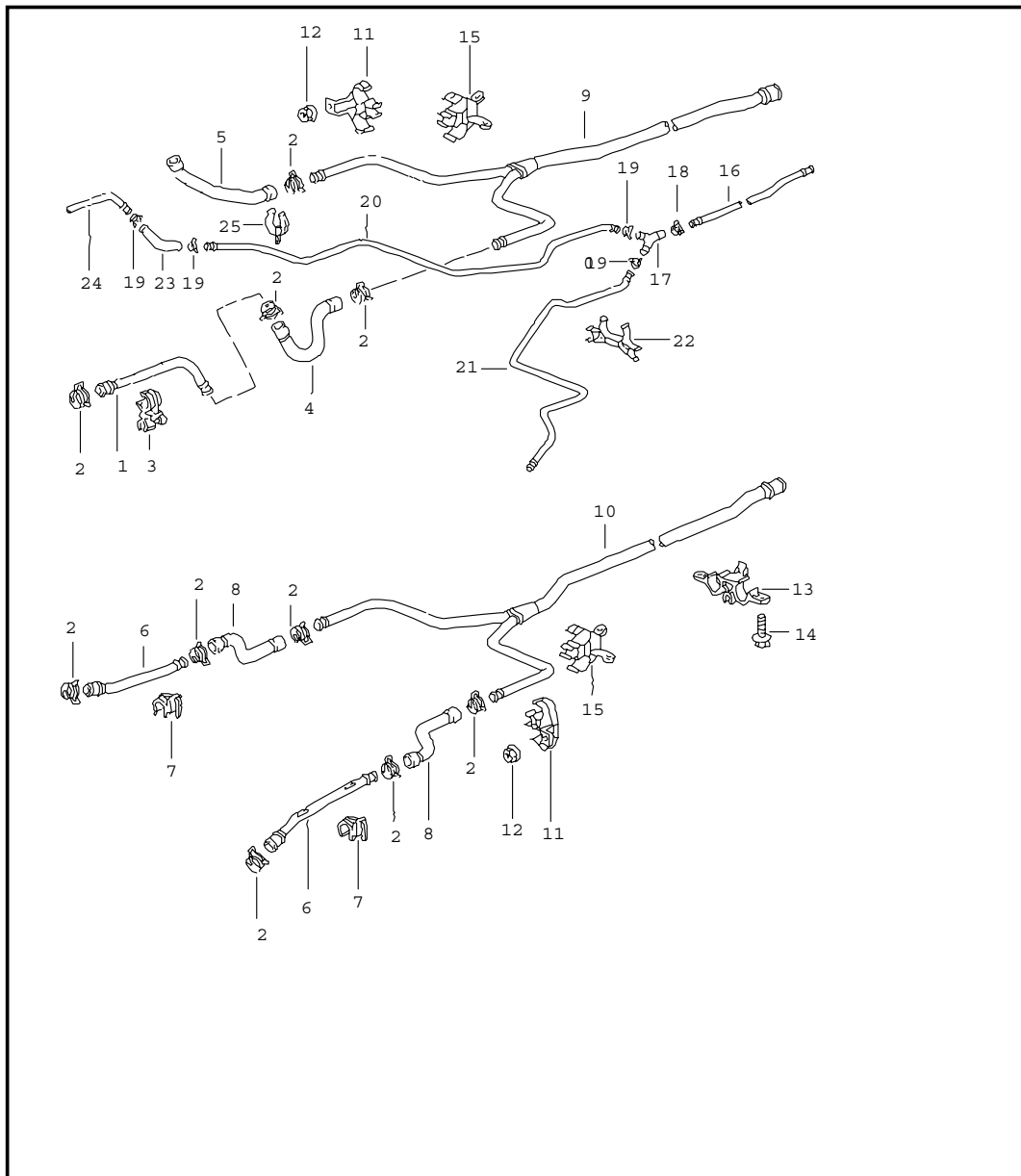
Model	Year	MG	SG	Illustration	Restrictions	Update	11:50	23.08.2006	PORSCHE	PET	PORSCHE
996	05	1	05	105-05		203					

Pos	Part Number	Name	Remarks	Qty	Model	Pos	Part Number	Name	Remarks	Qty	Model
10	996 106 428 50	support		1		23	996 106 501 53	water hose	-00	1	
11	900 377 010 09	hexagon nut M 6		2		23	996 106 501 54	water hose	-01	1	
12	996 106 136 51	breather hose	-98	1		23	996 106 831 01	water hose	02-	1	
12	996 106 136 52	breather hose	-01	1	M 338	24	996 106 502 53	water hose	-98	1	
(12)	996 106 826 00	breather hose	02-	1	M 338	24	996 106 502 54	water hose	99-	1	
12	996 106 336 01	breather hose	-98	1	M 339	(24)	996 106 832 01	water hose	02-	1	
12	996 106 336 02	breather hose	-01	1	M 339	25	999 512 669 09	hose clamp 53 X 12		2	
(12)	996 106 836 00	hose	02-	1	M 339	26	996 106 242 52	water tube M	-01	1	
13	996 106 681 56	vent line	-98	1				>> 66X 01814			
13	996 106 681 57	vent line	99-	1		26	996 106 242 53	water tube M 66X 01815	-01	1	
13	996 106 681 59	vent line	03-	1		(26)	996 106 242 55	water tube	02-	1	M 480
14	999 512 554 00	hose clamp 20 X 12		3		(26)	996 106 842 02	water tube	02-	1	M 249
15	996 106 251 71	breather hose		1		27	996 106 212 51	water hose		1	
16	999 512 552 00	hose clamp 25 X 12		1		27	996 106 212 52	hose	-98	1	
17	996 106 418 53	support 27,0/27,0	-01	2		27	996 106 212 53	hose	99-	1	
18	996 106 250 53	hose	-98	1		28	999 512 552 00	hose clamp 27 X 12		2	
18	996 106 250 54	hose for 996 106 243 51	-98	1		29	996 106 233 51	water hose M	>> 66X 01814	1	
18	996 106 250 55	hose for 996 106 243 52	99-	1		29	996 106 233 52	hose M 66X 01815	>>	1	
(18)	996 106 850 00	hose	02-	1		29	996 106 233 53	hose		1	
19	999 512 552 00	hose clamp 28 X 12		1		30	999 512 551 00	hose clamp 25 - 40 MM		1	
20	999 512 551 00	hose clamp 36 X 12		1		31	900 378 036 09	hexagon-head bolt M 6 X 12		3	
21	999 512 551 00	hose clamp 29 X 12		2		32	996 106 243 51	water tube for 996 106 250 54	-98	1	
22	999 512 554 00	hose clamp 14 X 12		1		32	996 106 243 52	water tube for 996 106 250 55	99-	1	
						(32)	996 106 243 54	water tube return	02-	1	M 480

Model	Year	MG	SG	Illustration	Restrictions	Update	11:50	23.08.2006	PORSCHE	PET	PORSCHE
996	05	1	05	105-05		203					

Pos	Part Number	Name	Remarks	Qty	Model	Pos	Part Number	Name	Remarks	Qty	Model
(32)	996 106 843 01	cooling water tube return	02-	1	M 249						
(33) A	996 106 222 52	water hose	-98	1	M 480						
(33)	996 106 222 54	hose	-98	1	M 480						
(33)	996 106 222 56	hose	99-	1	M 480						
33	996 106 222 53	water hose	-98	1	M 249						
33	996 106 222 57	water hose	99-	1	M 249						
34	996 106 421 51	support		2							
35	999 511 237 40	hose holder 10-52/-18		2							
36	999 511 238 40	hose holder 10-52/-13		1							
37	999 512 657 09	hose clamp 26 X 12		1							
38	999 512 655 09	hose clamp 22 X 12		1							
		- - - E N D - - -									

Model	Year	MG	SG	Illustration	Restrictions	Update	11:50	23.08.2006	PORSCHE	PET	PORSCHE
996	05	1	05	105-10		203					

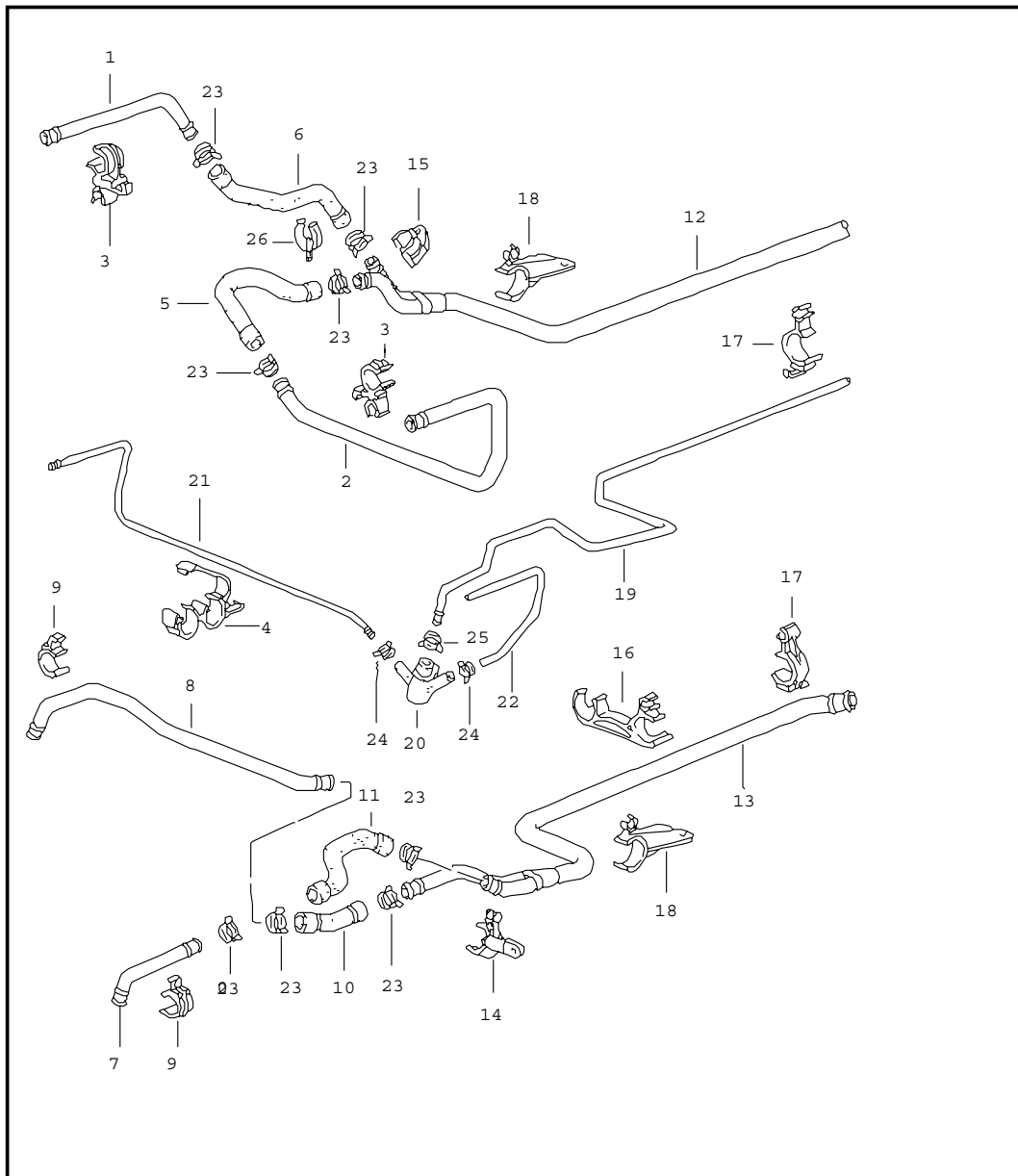


Pos	Part Number	Name	Remarks	Qty	Model
		water cooling 2	-01 02-		M96.01/02/04 M96.03
1	A 996 106 611 52	water tube supply	-00	2	
1	996 106 611 53	water tube supply	01-	2	
2	999 512 499 00	hose clamp 40 X 12		12	
3	996 106 414 55	support		4	
4	996 106 623 53	water hose supply	/L	1	
5	996 106 624 53	water hose	/R	1	
6	996 106 615 54	water tube return		2	
7	996 106 419 52	support		4	
8	996 106 627 52	water hose		2	
9	996 106 651 54	distributing piece supply		1	
10	996 106 652 54	distributing piece return		1	
11	996 106 413 52	support		2	
12	999 084 629 09	hexagon nut M 6		2	
13	996 106 415 52	support		2	
14	900 378 035 09	hexagon-head bolt M 6 X 16		6	
15	996 106 420 52	support		2	
16	996 106 127 53	vent line		1	
17	996 106 546 54	y-piece		1	
18	999 512 554 00	hose clamp 25 - 40		1	
19	999 512 554 00	hose clamp 25 - 40		4	
20	996 106 126 54	vent line	/R	1	
21	996 106 225 54	vent line	/L	1	

Model	Year	MG	SG	Illustration	Restrictions	Update	11:50	23.08.2006	PORSCHE	PET	PORSCHE
996	05	1	05	105-10		203					

Pos	Part Number	Name	Remarks	Qty	Model	Pos	Part Number	Name	Remarks	Qty	Model
22	996 106 412 51	support		1							
23	996 106 135 52	breather hose	-98	2							
23	996 106 135 52	breather hose	99-	2							
24	996 106 685 53	vent line		2							
25	999 507 378 40	support		2							
		- - - E N D - - -									

Model	Year	MG	SG	Illustration	Restrictions	Update	11:51	23.08.2006	PORSCHE	PET	PORSCHE
996	05	1	05	105-12		203					



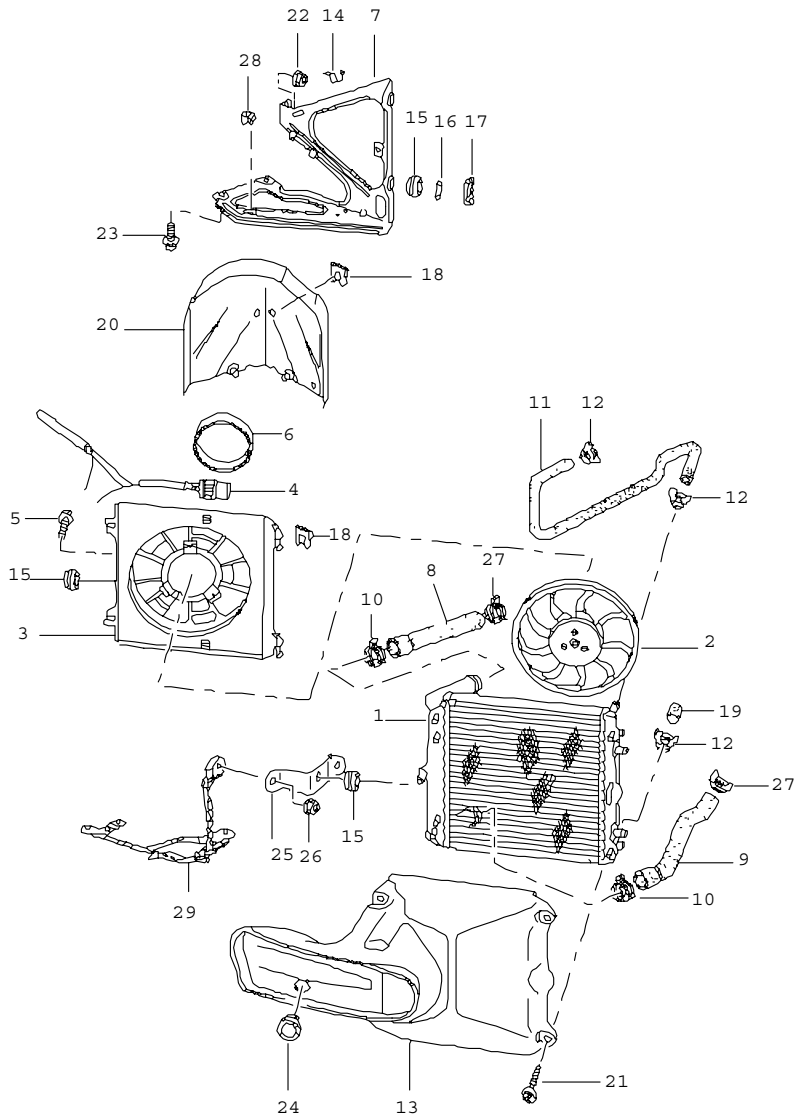
Pos	Part Number	Name	Remarks	Qty	Model
		water cooling 2	-01 02-		M96.01/02/04 M96.03 M 339
1	A 996 106 611 52	water tube supply	/R -00	1	
1	996 106 611 53	water tube supply	/R 01-	1	
2	996 106 711 03	water tube supply	/L	1	
3	996 106 414 55	support		4	
4	996 106 525 04	support		2	
5	996 106 723 02	hose supply supply	/R	1	
6	996 106 724 03	hose supply	/R	1	
7	996 106 715 01	water tube return	/L	1	
8	996 106 720 02	water tube return	/R	1	
9	996 106 419 52	support		3	
10	996 106 727 03	hose return	/L	1	
11	996 106 728 03	hose return supply	/L	1	
12	996 106 752 03	water tube supply return		1	
13	996 106 751 04	water tube return		1	
14	996 106 513 01	support	/L	1	
15	996 106 514 00	support	/R	1	
16	996 106 540 00	support		1	
17	996 106 515 01	support		2	
18	996 106 520 01	support		2	
19	996 106 227 72	vent line		1	

Model	Year	MG	SG	Illustration	Restrictions	Update	11:51	23.08.2006	PORSCHE	PET	PORSCHE
996	05	1	05	105-12		203					

Pos	Part Number	Name	Remarks	Qty	Model	Pos	Part Number	Name	Remarks	Qty	Model
20	996 106 647 04	y-piece		1							
21	996 106 766 71	vent line	/R	1							
22	996 106 765 71	vent line 40 X 12	/L	1							
23	999 512 499 00	hose clamp 40 X 12		8							
24	999 512 554 00	hose clamp 12 - 22		2							
25	999 512 554 00	hose clamp 12 - 22		1							
26	999 507 378 40	support		2							
		- - - E N D - - -									



Model	Year	MG	SG	Illustration	Restrictions	Update	11:51	23.08.2006	PORSCHE	PET	PORSCHE
996	05	1	05	105-15		203					

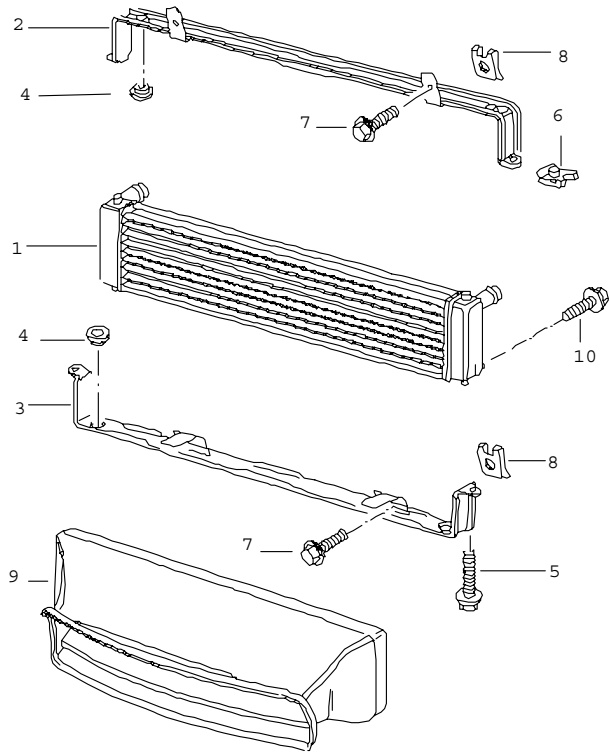


Pos	Part Number	Name	Remarks	Qty	Model
		water cooling 3	-01 02-		M96.01/02/04 M96.03
1	A 996 106 131 50	radiator		2	
1	996 106 131 51	radiator	/L	1	
(1)	996 106 131 72	radiator	/L	1	C 4 S
(1)	996 106 132 51	radiator	/R	1	
(1)	996 106 132 70	radiator	/R	1	C 4 S
2	996 624 135 00	fan		2	
3	996 624 131 00	air box		2	
4	996 616 101 00	series resistor		2	
5	900 146 116 09	screw M 5 X 16		6	
6	996 624 136 00	protection cap		2	
7	996 504 175 09	bracket	/L	1	
(7)	996 504 155 00	bracket	/L 02- 04-	1	C 4 S M 095
(7)	996 504 156 00	bracket	/R 02- 04	1	C 4 S M 095
(7)	996 504 176 09	bracket	/R	1	
8	996 106 621 55	hose supply	/L	1	M 480
(8)	996 106 665 55	hose supply with one conectio radiator centre	/L	1	M 249
(8)	996 106 622 52	supply hose supply return	/R	1	
9	996 106 625 54	hose return return	/L	1	
(9)	996 106 626 51	hose return	/R	1	M 480

Model	Year	MG	SG	Illustration	Restrictions	Update	11:51	23.08.2006	PORSCHE	PET	PORSCHE
996	05	1	05	105-15		203					

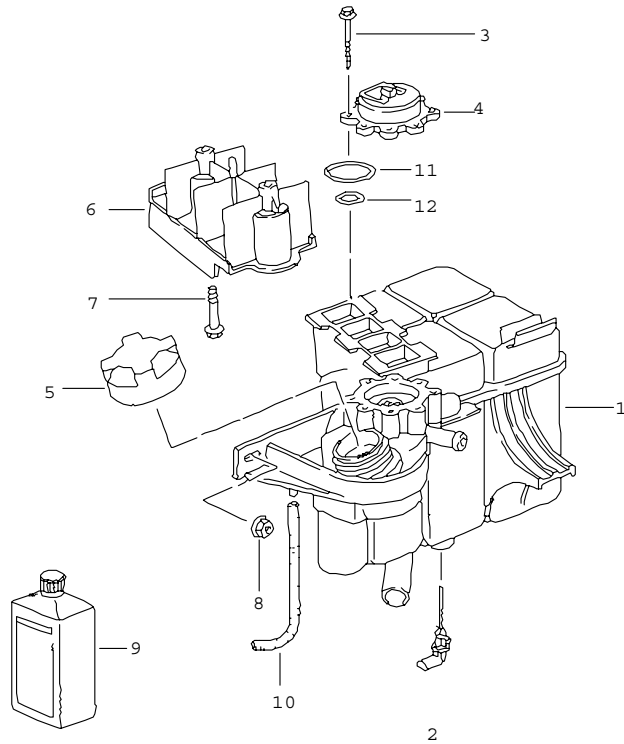
Pos	Part Number	Name	Remarks	Qty	Model	Pos	Part Number	Name	Remarks	Qty	Model
(9)	996 106 666 52	hose return with one conectio radiator centre	/R	1	M 249	23	900 378 074 09	hexagon-head bolt M 8 X 16		4	
10	999 512 499 00	hose clamp 42 X 12		4		24	999 702 214 40	grommet 14 X 20,5 X 7,5		2	
11	996 106 137 53	breather hose	/L	1		24	803 803 583	rubber sleeve 30,0 X 40,0	/R	1	
(11)	996 106 138 53	breather hose	/R	1		25	996 504 721 00	support		1	
12	999 512 585 09	hose clamp 15 X 12		6			GRV	prime coated			
13	996 575 321 00	air duct	/L -01	1		26	900 377 003 02	hexagon nut M 8		4	
13	996 575 321 03	air duct	/L 02-	1		27	999 512 552 00	hose clamp 28 X 12		2	
(13)	996 575 321 02	air duct	/L 02-	1	C 4 S	28	999 507 590 02	captive nut		1	
(13)	996 575 322 00	air duct	/R -01	1		29	996 504 523 01	support	/L	1	C 4 S
(13)	996 575 322 03	air duct	/R 02-	1		(29)	996 504 524 01	support	/R	1	C 4 S
(13)	996 575 322 02	air duct	/R 02-	1	C 4 S	--	996 504 775 00	support		2	
14	999 651 305 02	cable holder		2				- - - E N D - - -			
15	999 702 214 40	grommet 14 X 20,5 X 7,5		6							
16	999 025 255 02	washer		4							
17	999 166 083 09	tab washer B 25		4							
18	999 166 077 02	safety clip B 22		6							
19	U 999 703 418 40	cap		2							
(19)	996 106 334 00	rubber cap		2							
20	996 575 341 03	air duct	-98	2							
20	996 575 341 04	air duct	/L 99-	1							
(20)	996 575 342 00	air duct	/R 99-	1							
21	999 919 134 09	oval-head screw 6,0 X 16		14							
22	999 084 630 09	hexagon nut M 8		2							

Model	Year	MG	SG	Illustration	Restrictions	Update	11:51	23.08.2006	PORSCHE	PET	PORSCHE
996	05	1	05	105-17		203					



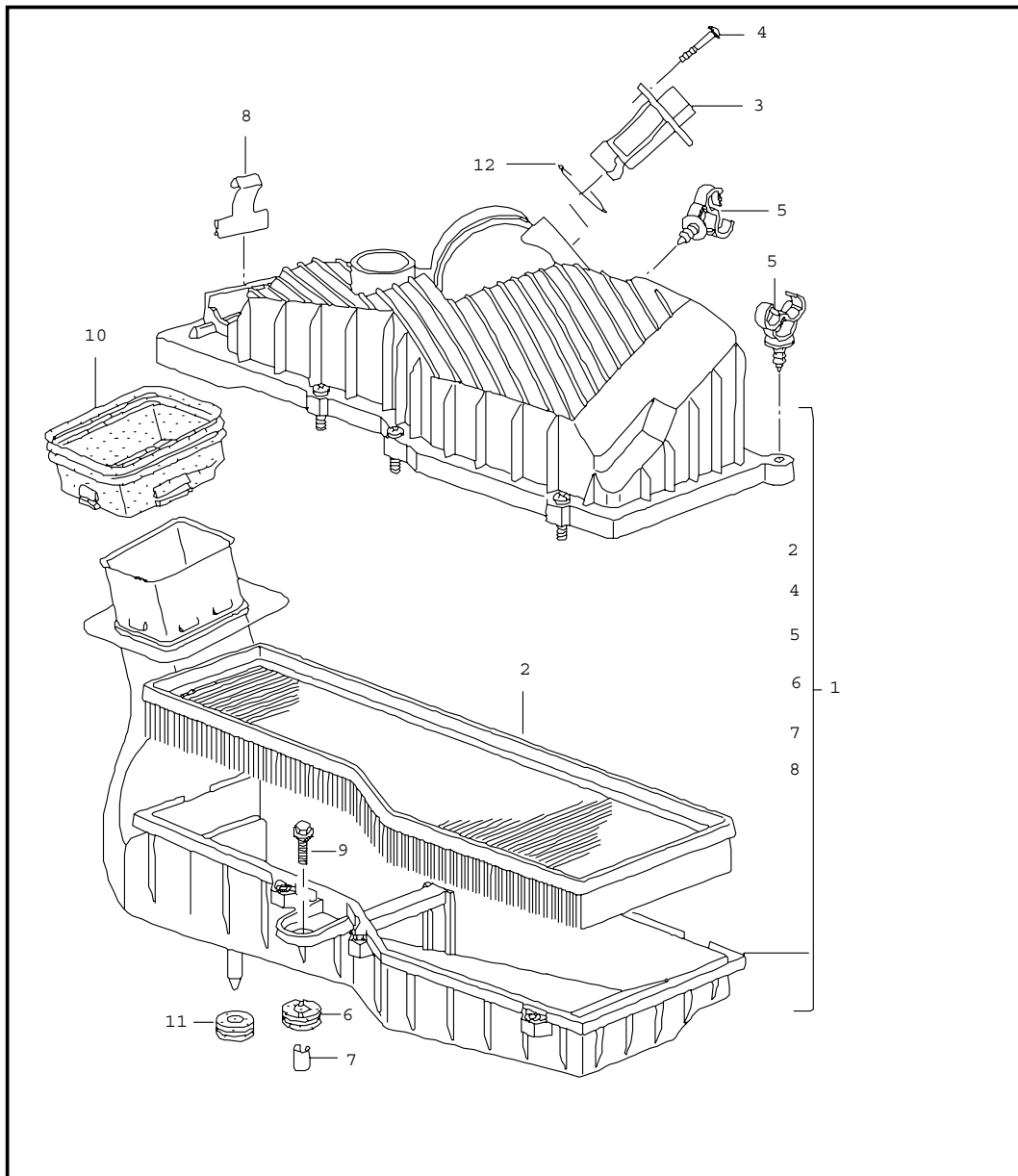
Pos	Part Number	Name	Remarks	Qty	Model
		radiator centre	-01 02-		M96.01/02/04 M96.03 M 249 M96.03 X51/M 480
1	996 106 037 51	radiator		1	
2	996 504 487 02	retaining frame		1	
3	996 504 485 02	retaining frame		1	
4	930 113 430 00	rubber mounting		4	
5	900 378 036 09	hexagon-head bolt M 6 X 12		2	
6	999 507 550 02	speed nut M 6		2	
7	900 378 074 09	hexagon-head bolt M 8 X 16		4	
8	999 591 869 02	speed nut M 8		4	
9	996 575 141 01	air duct radiator centre	-98	1	
9	996 575 141 02	air duct radiator centre	99-01	1	
9	996 575 141 04	air duct radiator centre	02-	1	
10	996 106 901 00	screw plug		1	
- - - E N D - - -					

Model	Year	MG	SG	Illustration	Restrictions	Update	11:51	23.08.2006	PORSCHE	PET	PORSCHE
996	05	1	05	105-20		203					



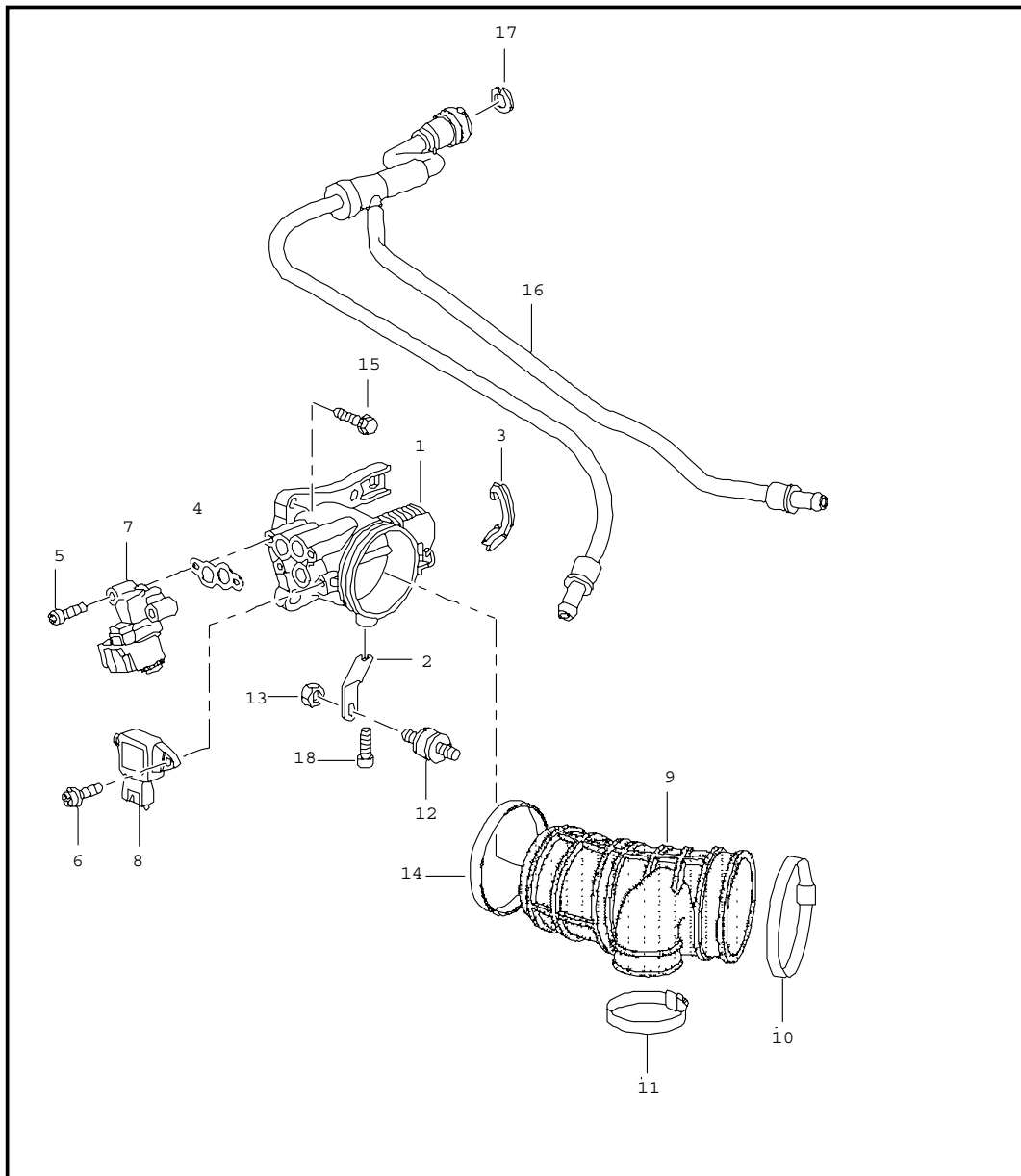
Pos	Part Number	Name	Remarks	Qty	Model
		water cooling 4	-01 02-		M96.01/02/04 M96.03
1	A 996 106 147 54	water reservoir	-98	1	
1	996 106 147 55	water reservoir	-00	1	
1	996 106 147 56	water reservoir	-00	1	
(1)	A 996 106 157 01	water reservoir	01-	1	
(1)	996 106 157 02	water reservoir	01-	1	
(1)	996 106 157 03	water reservoir	03-	1	
2	996 641 503 00	switch		1	
3	999 919 058 02	hexagon-head bolt 5,0 X 40		8	
4	996 106 347 01	bleeder valve		1	
5	996 106 447 01	cover		1	
6	996 106 405 51	support	-01	1	
(6)	996 106 405 52	support	02-	1	
(6)	996 106 405 71	support		1	C4S
7	900 378 033 09	hexagon-head bolt M 8 X 30		2	
8	999 076 071 02	hexagon nut M 6		1	
9	000 043 203 78	antifreeze protection 1 LTR. container		X	
(9)	A 000 043 203 79	antifreeze protection 25 LTR. container		X	
(9)	000 043 300 31	antifreeze protection 20 LTR. container		X	
10	996 106 297 00	overflow hose		1	
11	999 707 370 40	o-ring 47 X 4		1	
12	999 707 371 40	o-ring 17 X 4		1	
- - - E N D - - -					

Model	Year	MG	SG	Illustration	Restrictions	Update	11:52	23.08.2006	PORSCHE	PET	PORSCHE
996	05	1	06	106-00		203					



Pos	Part Number	Name	Remarks	Qty	Model
		air cleaner	-01		M96.01/02/04
			02-		M96.03
1	996 110 021 56	air cleaner		1	
1	996 110 021 58	air cleaner		1	M 339
(1)	996 110 921 50	air cleaner	02-	1	M 96.03
2	996 110 131 52	air cleaner cartridge		1	
3	996 606 123 00	mass air flow		1	
3	996 606 124 00	mass air flow	-01	1	M 339/620
3	986 606 125 01	mass air flow	02-	1	M 96.03
4	999 919 160 07	oval-head screw 5,0 X 20		2	
5	999 507 544 40	cable holder 4,0 - 12,0		2	
6	999 702 221 40	grommet 11,8 X 18,0 X 18		3	
7	900 095 099 02	roll pin 12,0 X 14		1	
8	996 110 224 50	spring clamp		1	
9	999 075 063 02	hexagon-head bolt M 6 X 34		1	
10	996 110 250 52	joint flange		1	
11	999 702 246 40	grommet 12,0 X 17,0 X 3		2	
12	986 606 925 00	o-ring for mass air flow		1	
- - - E N D - - -					

Model	Year	MG	SG	Illustration	Restrictions	Update	11:52	23.08.2006	PORSCHE	PET	PORSCHE
996	05	1	07	107-00		203					

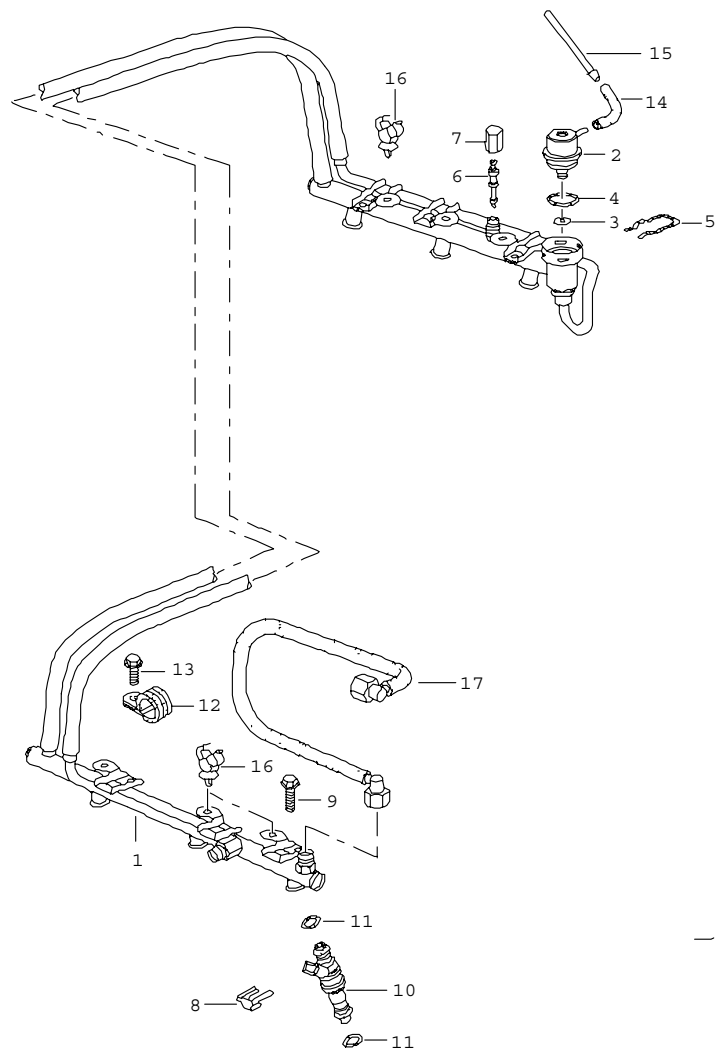


Pos	Part Number	Name	Remarks	Qty	Model
		throttle body	-01 02-		M96.01/02/04 M96.03
1	A 996 110 065 52	throttle body		1	
1	996 110 065 53	throttle body		1	
(1)	996 605 115 01	throttle body		1	M 620
2	996 110 223 52	bracket		1	
(2)	996 110 223 31	bracket		1	M 339
3	996 110 265 50	securing clip		1	
4	996 110 310 50	gasket		1	
5	900 067 013 02	pan-head screw 6 X 35		2	
6	900 146 150 02	round head screw M 4 X 16		2	
7	996 606 160 01	idle-speed adjuster	-01	1	
8	996 606 116 00	throttle-valve switch		1	
9	996 110 221 57	air box	-00	1	
9	996 110 221 57	air box	01-	1	M 480
(9)	996 110 221 58	air box	01-	1	M 249
10	999 512 629 00	hose clamp 90 - 100/9		1	
11	999 512 636 00	hose clamp 40 - 60/9		1	
12	930 110 579 01	bonded rubber buffer		1	
13	900 377 010 09	hexagon nut M 6		1	
14	999 512 542 00	hose clamp 80 - 100/9		1	
15	900 378 013 09	hexagon-head bolt M 6 X 25		4	
(15)	900 378 029 09	hexagon-head bolt M 6 X 40		4	M 620
16	996 110 170 50	venturi tube	01	1	M96.04 M249
16	996 110 170 51	venturi tube	02-	1	M96.03 M249
17	999 230 535 40	lock		3	M 249

Model	Year	MG	SG	Illustration	Restrictions	Update					
996	05	1	07	107-00		203	11:52	23.08.2006	PORSCHE	PET	PORSCHE

Pos	Part Number	Name	Remarks	Qty	Model	Pos	Part Number	Name	Remarks	Qty	Model
		- - - E N D - - -									

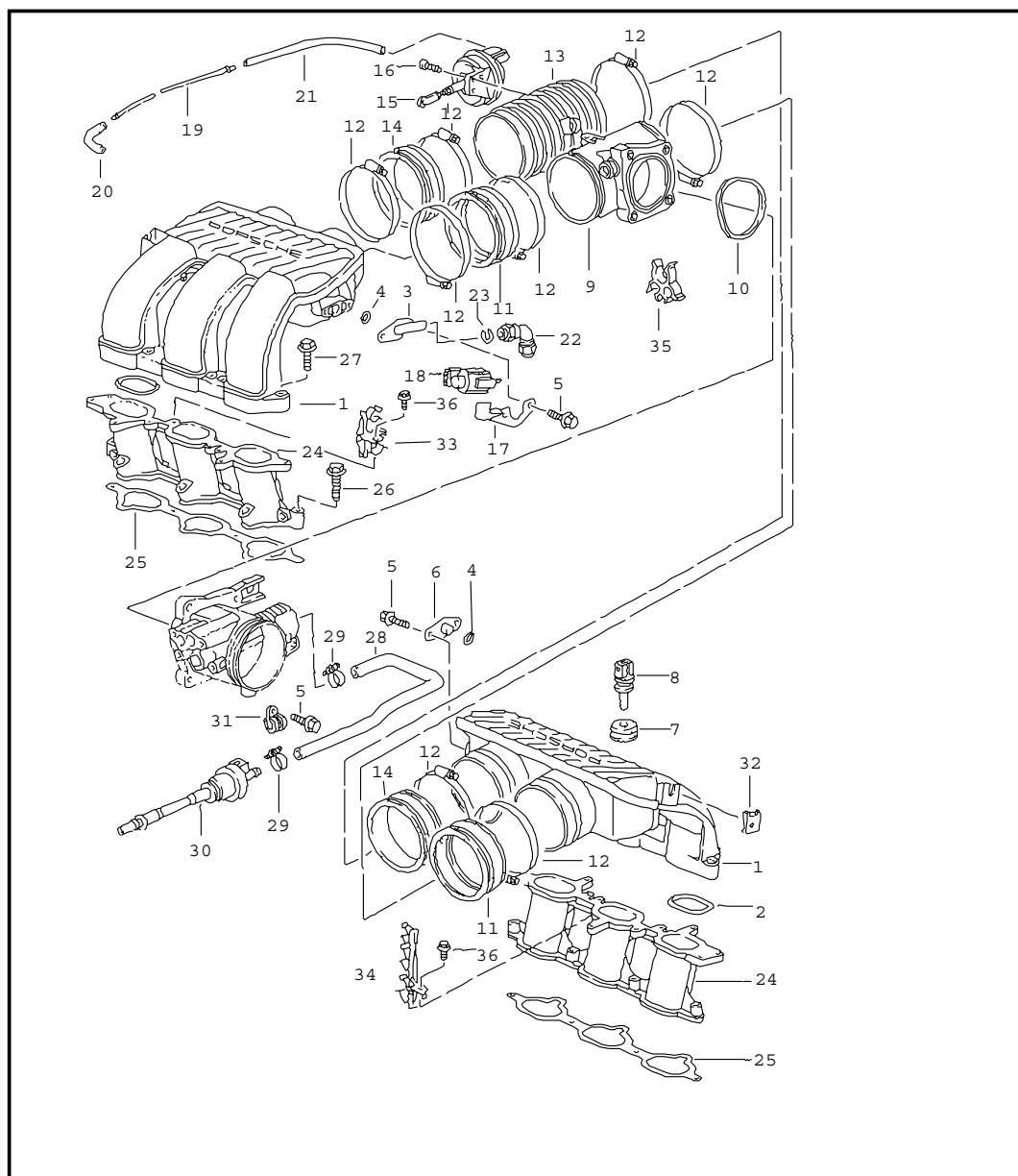
Model	Year	MG	SG	Illustration	Restrictions	Update	11:52	23.08.2006	PORSCHE	PET	PORSCHE
996	05	1	07	107-05		203					



Pos	Part Number	Name	Remarks	Qty	Model
		fuel collection pipe	-01 02-		M96.01/02/04 M96.03
1	996 110 031 56	fuel collection pipe	-00	1	
(1)	996 110 031 57	fuel collection pipe	01	1	
(1)	996 110 036 52	fuel collection pipe	02-	1	M96.03
2	993 110 199 01	pressure regulator	-01	1	
3	999 707 276 40	o-ring 5 X 2,5		1	
4	999 707 277 40	o-ring 20 X 2,5		1	
5	993 110 196 00	retaining clip		1	
6	993 110 217 00	valve		1	
7	993 110 218 01	cap		1	
8	996 110 113 52	retaining clip		6	
9	900 378 036 09	hexagon-head bolt M 6 X 12		4	
(10)	996 606 120 01	injector valve		6	
(10)	996 606 122 00	injector valve	01-	6	
11	944 110 901 01	o-ring 7,5 X 3,5 part number in preparation		12	
12	999 511 194 02	clamp 35 X 15		1	
13	900 378 035 09	hexagon-head bolt M 6 X 16		1	
14	928 574 717 03	hose		1	
--	000 043 205 01	pipe 4 X 1		*	
15	---	420 MM		1	
16	999 511 239 40	cable holder 6,0 X 12		3	
17	996 110 315 55	fuel line		1	M 339
- - - E N D - - -					



Model	Year	MG	SG	Illustration	Restrictions	Update	11:52	23.08.2006	PORSCHE	PET	PORSCHE
996	05	1	07	107-10		203					

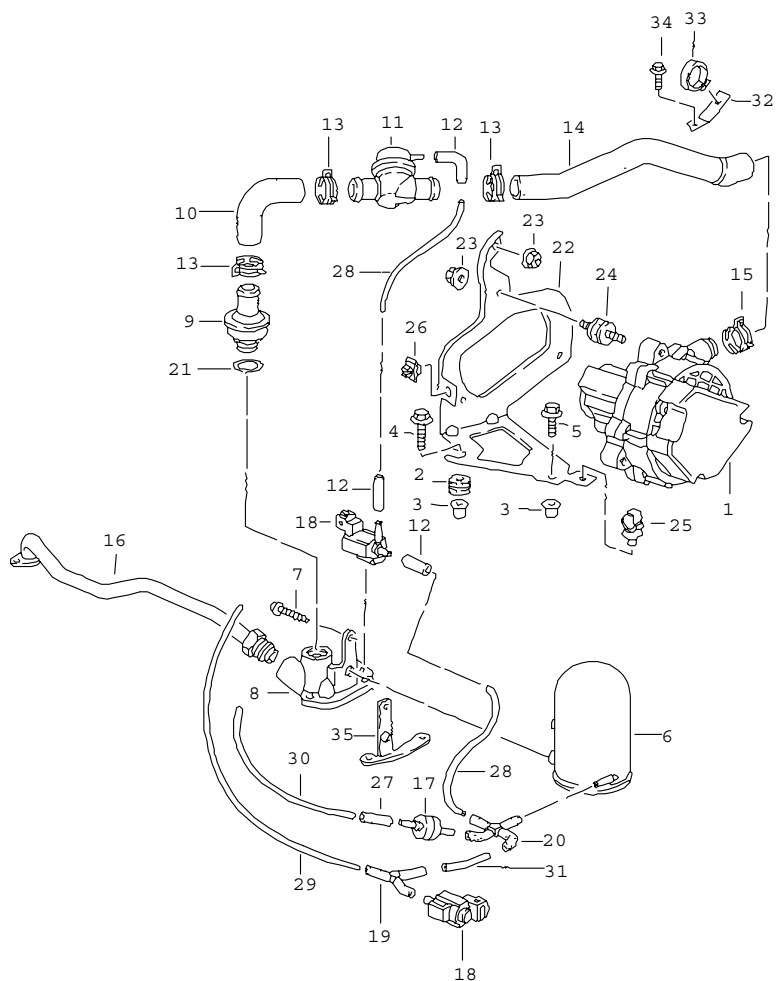


Pos	Part Number	Name	Remarks	Qty	Model
		intake distributor	-01		M96.01/02/04
			02-		M96.03
1	996 110 015 55	intake distributor		2	
2	996 110 247 50	gasket		6	
3	996 110 151 51	adapter	-98	1	
3	996 110 151 52	adapter	-00	1	
(3)	996 110 151 52	adapter	01-	1	M 480
(3)	996 110 151 01	adapter	01-	1	M 249
4	999 701 163 40	o-ring 11 X 2,5		2	
5	999 919 125 09	hexagon-head bolt 6,0 X 16		5	
6	996 110 251 51	cover		1	
7	993 110 530 00	grommet		1	
8	996 606 113 00	temperature sensor		1	
9	996 110 215 53	intermediate piece		1	
9	996 110 116 00	intermediate piece		1	M 339
10	996 110 317 50	sealing ring		1	
10	996 110 319 00	sealing ring		1	M 339
11	996 110 685 52	rubber sleeve		2	
12	999 512 539 00	hose clamp 90 - 110/9		8	
13	996 110 120 53	resonance tube		1	
14	996 110 686 50	rubber sleeve	-00	2	
(14)	996 110 686 51	rubber sleeve	01-	2	
15	993 110 462 02	vacuum unit		1	
16	900 146 123 02	screw M 5 X 16		2	
17	996 110 510 52	retaining bracket		1	
--	996 110 511 50	retaining bracket venturi tube	01-	1	M 249
18	996 605 123 01	change-over valve		1	

Model	Year	MG	SG	Illustration	Restrictions	Update	11:52	23.08.2006	PORSCHE	PET	PORSCHE
996	05	1	07	107-10		203					

Pos	Part Number	Name	Remarks	Qty	Model	Pos	Part Number	Name	Remarks	Qty	Model
--	000 043 205 01	pipe 4 X 1		*							
19	---	420 MM		1							
20	928 574 717 03	hose		1							
--	000 043 204 99	hose 3,5 X 2		*							
21	-	148 MM		1	M 661						
(21)	-	176 MM		1							
22	999 230 498 40	angled pipe		1							
23	999 230 535 40	lock		1							
24	996 110 101 52	intake manifold		2							
25	996 110 103 50	gasket		2							
26	900 378 174 09	hexagon-head bolt M 6 X 35		8							
27	900 378 172 09	hexagon-head bolt AM 6 X 35		12							
28	996 110 127 50	vent line		1							
(28)	996 110 127 30	vent line		1	M 339						
29	999 512 554 00	hose clamp 14 X 12		2							
30	996 110 129 52	vent line		1							
31	999 511 155 02	clip 15 X 15		1							
32	999 507 246 02	speed nut M 6		1							
33	996 607 107 00	support		1							
34	996 607 108 00	support		1							
35	996 607 109 00	support	-01	1							
35	996 607 013 00	support	02	1							
35	996 607 143 00	support	03-	1							
36	900 378 163 09	hexagon-head bolt M 6 X 16		2							
		- - - E N D - - -									

Model	Year	MG	SG	Illustration	Restrictions	Update	11:52	23.08.2006	PORSCHE	PET	PORSCHE
996	05	1	08	108-05		203					

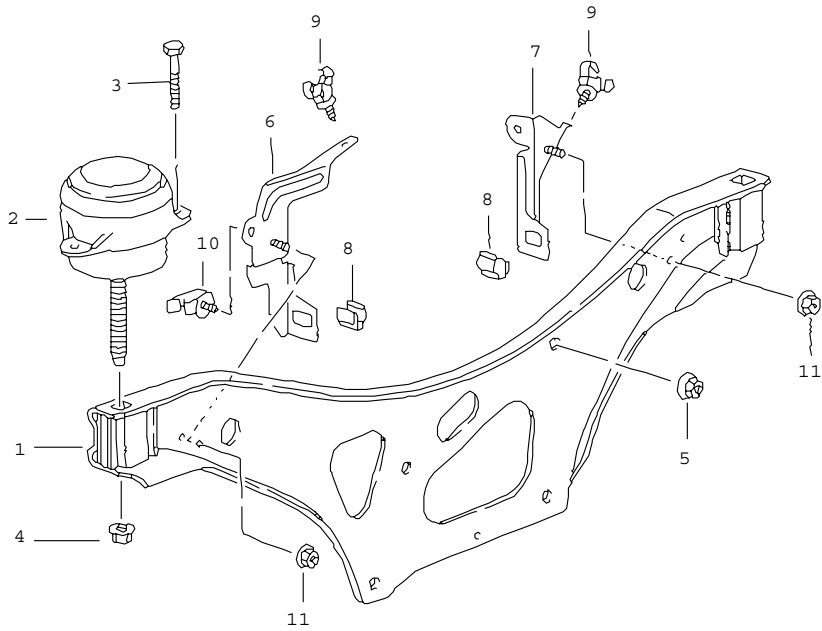


Pos	Part Number	Name	Remarks	Qty	Model
		air injection	-01 02-		M96.01/02/04 M96.03
1	996 605 103 01	air pump	-99	1	
(1)	996 605 104 00	air pump	00-	1	
2	999 703 442 40	rubber mounting 6,5 X 14 X 1,5		1	
3	999 500 078 00	speed nut M 6		2	
4	900 075 333 02	hexagon-head bolt M 6 X 25		1	
5	900 378 035 09	hexagon-head bolt M 6 X 16		1	
6	993 110 140 03	vacuum tank		1	
7	999 919 115 02	oval-head screw 5,0 X 22		1	
8	996 113 131 52	distributor housing		1	
9	993 113 250 03	check valve		1	
10	996 113 241 53	hose		1	
11	993 113 245 01	shut-off valve	-99	1	
(11)	996 113 249 01	shut-off valve	00-	1	
12	928 574 717 03	hose		4	
13	999 512 657 09	hose clamp 26 X 12		3	
14	996 113 239 55	hose	-99	1	
(14)	996 113 239 56	hose	00-	1	
15	999 512 552 00	hose clamp 28 X 12		1	
16	996 113 117 55	air tube		1	
17	964 110 950 01	check valve		1	
18	996 605 123 01	change-over valve		2	
19	928 573 727 03	y-piece		1	
20	928 573 729 02	distributing piece		1	
21	900 123 011 30	sealing ring A 22 X 27		1	

Model	Year	MG	SG	Illustration	Restrictions	Update	11:52	23.08.2006	PORSCHE	PET	PORSCHE
996	05	1	08	108-05		203					

Pos	Part Number	Name	Remarks	Qty	Model	Pos	Part Number	Name	Remarks	Qty	Model
22	996 605 105 02	support	-99	1							
(22)	996 605 124 00	support	00-	1							
23	999 084 629 09	hexagon nut M 6		5							
24	999 703 465 00	bonded rubber buffer 20 X 20 M 6	-99	3							
(24)	999 703 477 40	bonded rubber buffer 20 X 20 M 6	00-	3							
25	999 511 239 40	cable holder 6,0 - 12,0		1							
26	999 650 118 40	clip		1							
27	999 239 040 40	connecting piece		1							
--	000 043 205 01	pipe 4 X 1,0		*							
28	---	120 MM		2							
29	---	420 MM		1							
30	---	150 MM		1							
31	---	50 MM		1							
32	996 110 339 50	retaining bracket		1							
33	999 651 319 40	cable holder B 27,00		1							
34	900 378 174 09	hexagon-head bolt M 6 X 35		1							
35	996 113 145 50	support		1							
--	993 105 345 00	plug		1	M480						
		- - - E N D - - -									

Model	Year	MG	SG	Illustration	Restrictions	Update	11:53	23.08.2006	PORSCHE	PET	PORSCHE
996	05	1	09	109-00		203					



Pos	Part Number	Name	Remarks	Qty	Model
		engine suspension	-01 02-		M96.01/02/04 M96.03
1	A 996 375 011 06	engine carrier		1	
1	996 375 011 07	engine carrier		1	
(1)	996 375 011 08	engine carrier	02-	1	M 96.03
2	993 375 049 06	engine mounting		2	
3	900 378 055 09	hexagon-head bolt		4	
4	999 084 215 09	hexagon nut M 12 X 1,5		2	
5	900 380 008 09	hexagon nut M 10		4	
6	996 606 157 02	support		1	
7	996 606 158 00	support		1	
8	999 591 746 02	cable terminal 7,0 - 9,0		2	
9	999 511 239 40	cable holder 6,0 - 12,0		2	
10	999 507 511 40	cable holder 6,0 - 8,0		1	
11	900 377 010 09	hexagon nut M 6		2	
- - - E N D - - -					

Model	Year	MG	SG	Illustration	Restrictions	Update	11:53	23.08.2006
996	05	1	98	198-00		203		

Pos	Part Number	Name	Remarks	Qty	Model
		set of seals repair kits	-01 02-		M96.01/02/04 M96.03
>>	> 986 100 905 00	set of seals engine		1	
		use also:			
		996 104 269 00		1	
		996 104 270 05		1	
		996 110 103 50		2	
		996 110 247 50		6	
-	996 101 361 51	gasket		1	
-	996 101 363 50	gasket		1	
-	999 701 789 40	o-ring 12 X 2		4	
-	996 101 331 50	gasket		1	
-	996 101 336 50	gasket		1	
-	900 123 147 30	sealing ring A 27 X 32		4	
-	900 123 106 30	sealing ring A 18 X 24		1	
-	996 113 233 50	gasket		1	
-	996 113 213 51	gasket		1	
-	999 113 475 40	shaft seal 40 X 62 X10		1	
-	999 113 490 40	shaft seal 85 X 105 X 11		1	
-	999 218 005 02	pan-head screw M 6 X 16		6	
-	900 123 007 30	sealing ring A 14 X 18		1	
-	996 105 223 52	cover		2	
-	000 043 203 64	assembly kit		1	
-	999 707 343 40	o-ring 25,07 X 2,62		6	
-	999 707 215 40	o-ring 27,94 X 5,33		6	
-	996 104 215 54	cover		6	
-	U 999 707 391 40	o-ring 52 X 2,5		1	

Model	Year	MG	SG	Illustration	Restrictions	Update	11:53	23.08.2006
996	05	1	98	198-00		203		

Pos	Part Number	Name	Remarks	Qty	Model
-	999 707 346 40	o-ring 15 X 3		6	
-	999 707 344 40	o-ring 18,77 X 1,78		2	
-	996 107 103 51	o-ring		2	
-	996 107 261 50	sealing ring		1	
-	996 106 316 51	gasket		1	
-	996 106 321 50	gasket		1	
-	900 123 144 30	sealing ring A 10 X 13,5		1	
-	996 107 337 50	gasket		1	
-	996 107 221 51	o-ring 95 X 2,5		2	
-	U 900 378 156 09	hexagon-head bolt M 6 X 20		18	
-	999 217 150 09	hexagon-head bolt M 6 X 20		18	
-	999 707 409 40	o-ring 26 X 3		2	
-	999 707 389 40	o-ring 35 X 4		2	
-	996 107 313 51	sealing ring		1	
-	999 707 375 40	o-ring 30 X 3		1	
-	900 378 030 09	hexagon-head bolt M 6 X 20		2	
-	999 707 369 40	o-ring 9,5 X 3,5		1	
-	999 707 348 40	o-ring 42 X 4		2	
-	996 107 122 00	sealing ring 14 X 1,78		1	
-	999 707 154 40	o-ring 18,77 X 1,78		1	
-	996 106 340 51	gasket		1	
-	996 106 326 50	gasket		1	
-	996 110 247 01	gasket		6	

PORSCHE

# PET

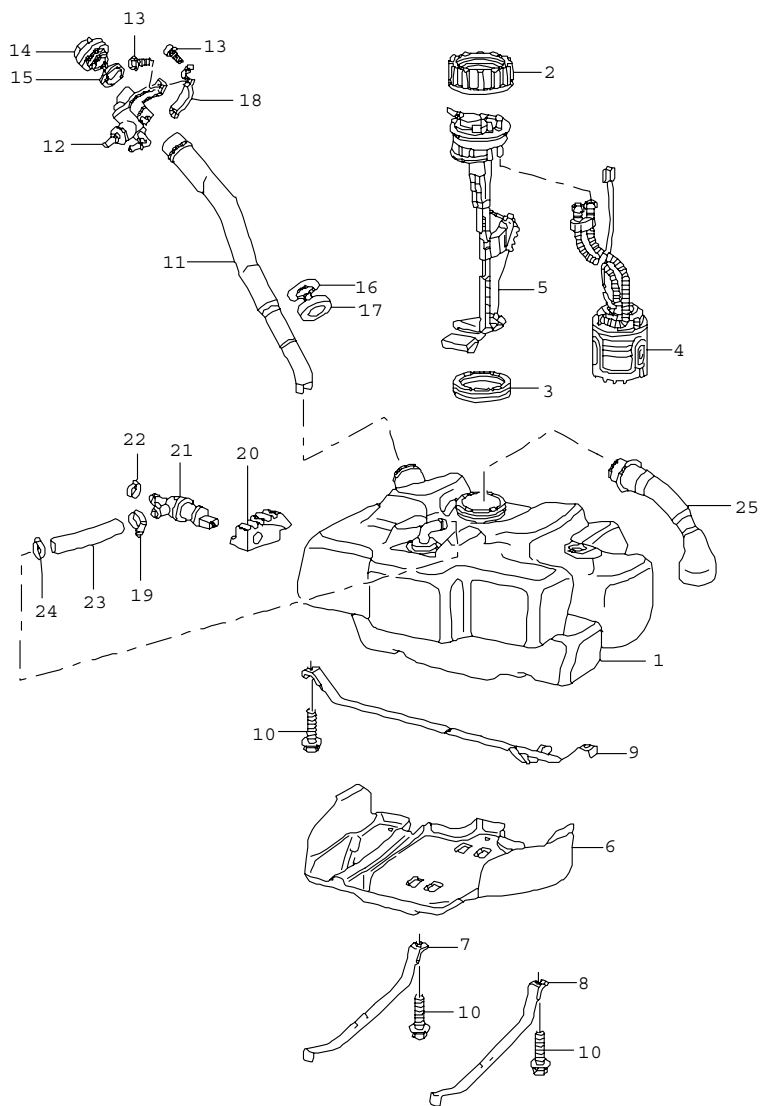
PORSCHE

Model	Year	MG	SG	Illustration	Restrictions	Update		
996	05	1	98	198-00		203	11:53	23.08.2006

Pos	Part Number	Name	Remarks	Qty	Model
-	900 378 172 09	hexagon-head bolt AM 6 X 35		12	
-	900 123 011 30	sealing ring A 22 X 27		1	
-	996 111 107 54	gasket		2	
-	900 378 131 00	hexagon-head bolt M 8 X 28		12	
-	900 378 163 09	hexagon-head bolt M 6 X 16		3	
		- - - E N D - - -			



Model	Year	MG	SG	Illustration	Restrictions	Update	11:53	23.08.2006	PORSCHE	PET	PORSCHE
996	05	2	01	201-00		203					

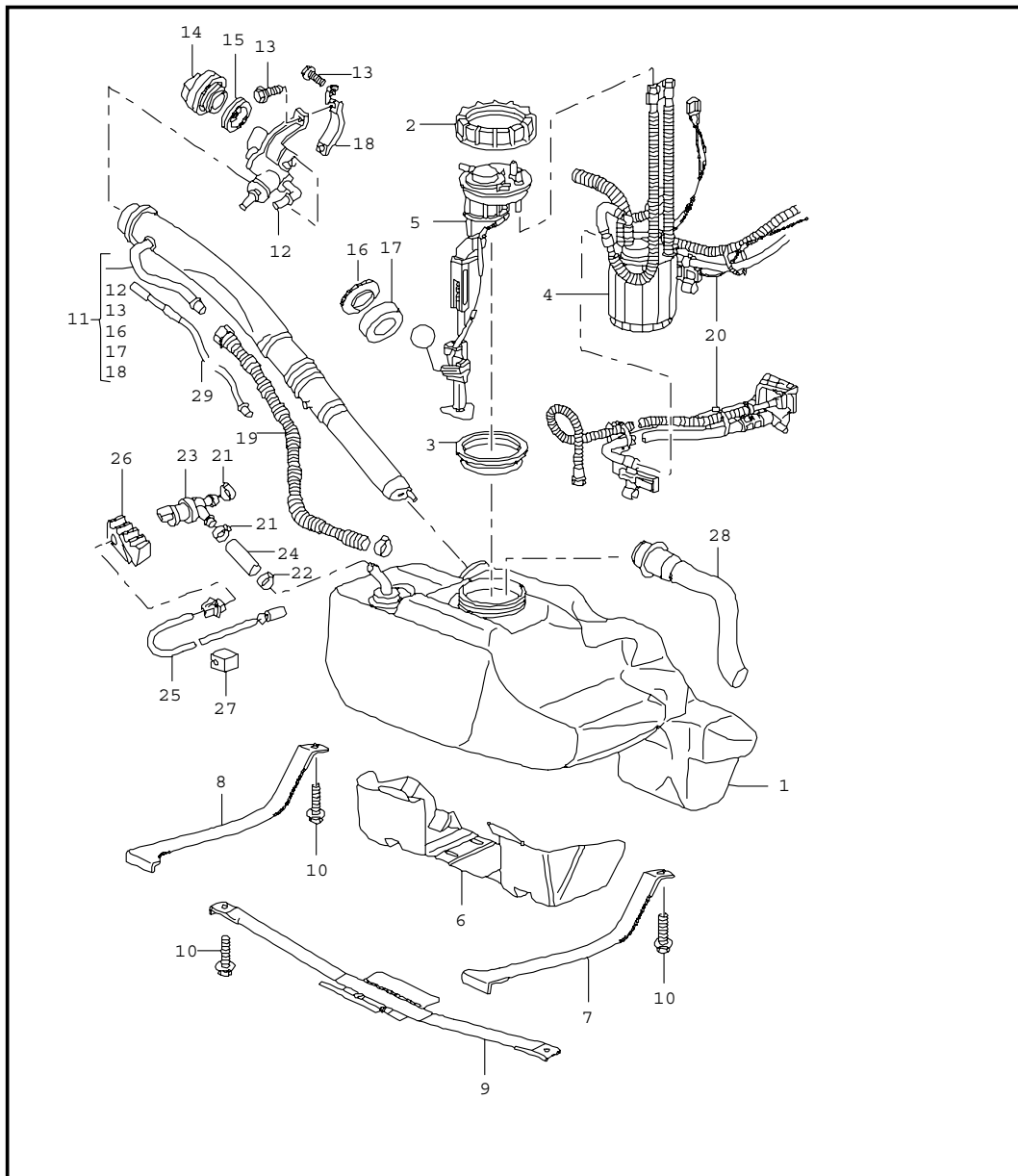


Pos	Part Number	Name	Remarks	Qty	Model
		fuel tank			M 338
			02-		TARGA
1	996 201 021 02	fuel tank	/LL -01	1	
1	996 201 021 05	fuel tank	/LL 02-	1	
(1)	996 201 022 02	fuel tank	/RL -01	1	
(1)	996 201 022 03	fuel tank	/RL 02-	1	
2	996 201 623 00	union nut		1	
3	321 919 133	sealing ring		1	
4	996 620 102 00	fuel pump	-01	1	
(4)	996 620 132 00	fuel pump	02-	1	
5	996 641 801 00	tank gauge	-99	1	
(5)	996 620 808 00	tank gauge	-01	1	
(5)	996 620 832 01	tank gauge	02-	1	
6	996 201 331 00	protective plate	/LL	1	
(6)	996 201 331 02	protective plate	/RL	1	
7	996 201 105 02	restraining strap		1	
8	996 201 106 02	restraining strap		1	
9	996 201 107 02	restraining strap	/LL	1	
9	996 201 108 00	restraining strap	/RL	1	
10	900 075 479 09	screw M 8 X 40		4	
11	996 201 043 00	filler neck	-00	1	
11	996 201 043 09	filler neck	01-	1	
11	996 201 043 01	filler neck	-00	1	M 150/193
11	996 201 043 10	filler neck	01-	1	M 150/193
12	996 201 143 01	bleeder valve		1	
13	900 378 036 09	hexagon-head bolt M 6 X 12		3	
14 A	996 201 241 00	fuel tank cap	-98	1	
14	996 201 241 01	fuel tank cap	-00	1	

Model	Year	MG	SG	Illustration	Restrictions	Update	11:53	23.08.2006	PORSCHE	PET	PORSCHE
996	05	2	01	201-00		203					

Pos	Part Number	Name	Remarks	Qty	Model	Pos	Part Number	Name	Remarks	Qty	Model
(14)	996 201 241 02	fuel tank cap with clip	01-	1							
--	999 507 499 40	expansion rivet		1							
15	191 201 557	gasket		1							
16	996 201 755 00	support washer		1							
17	996 201 753 00	gasket		1							
18	996 201 751 00	support		1							
		- - - E N D - - -									

Model	Year	MG	SG	Illustration	Restrictions	Update	11:53	23.08.2006	PORSCHE	PET	PORSCHE
996	05	2	01	201-01		203					

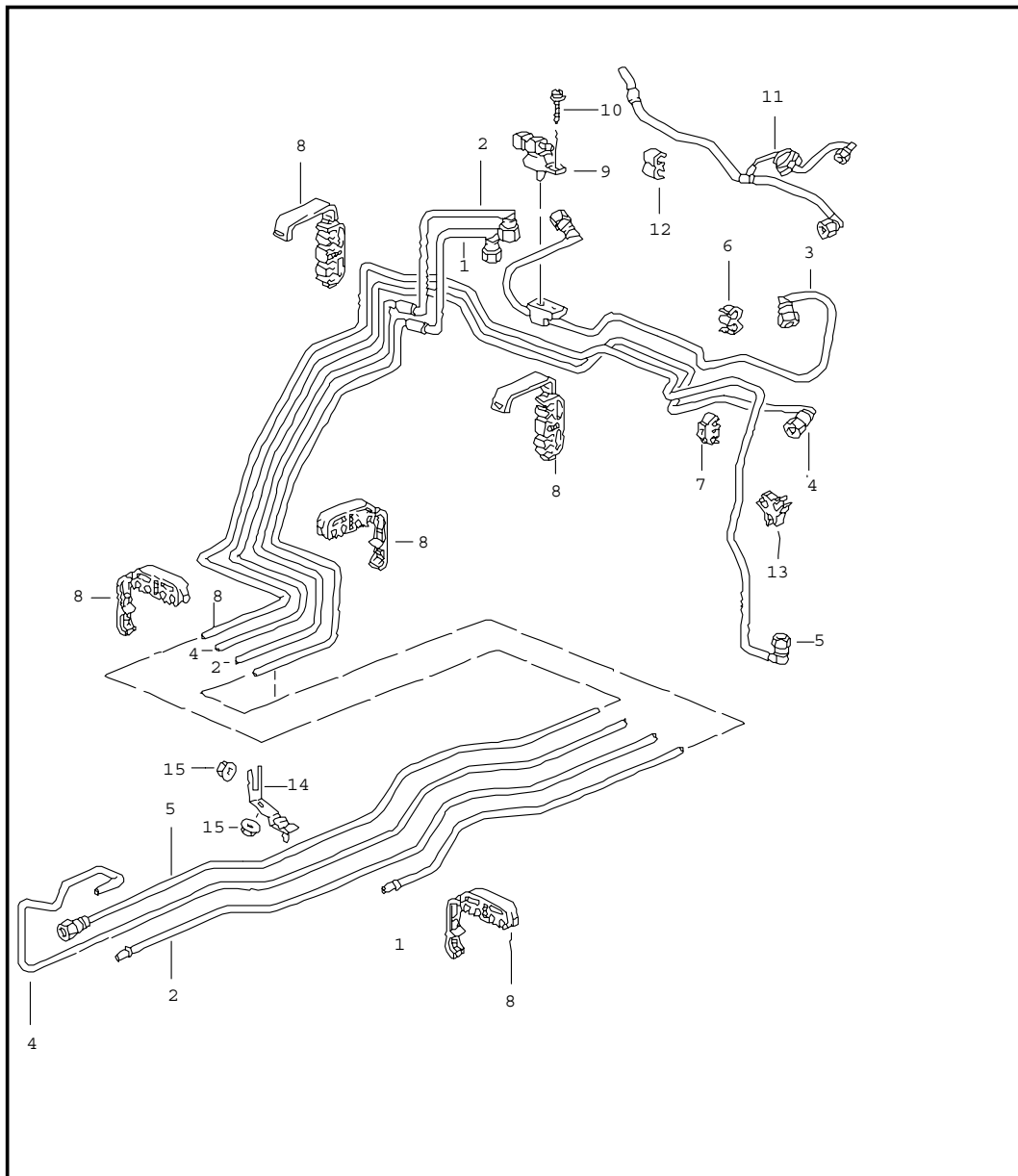


Pos	Part Number	Name	Remarks	Qty	Model
		fuel tank			M 339
			02-		C 4/S
1	996 201 021 01	fuel tank	/LL	1	
1	996 201 022 01	fuel tank	/RL	1	
2	996 201 623 00	union nut		1	
3	321 919 133	gasket		1	
4	996 620 103 00	fuel pump	/LL -01	1	
(4)	996 620 133 00	fuel pump	/LL 02-	1	
4	996 620 104 00	fuel pump	/RL -01	1	
(4)	996 620 134 00	fuel pump	/RL 02-	1	
5	996 620 803 00	tank gauge	/LL -01	1	
5	996 620 804 00	tank gauge	/RL -01	1	
(5)	996 620 834 01	tank gauge	/RL 02-	1	
(5)	996 620 833 02	tank gauge	/LL 02-	1	
6	996 201 331 01	protective plate	/LL	1	
(6)	996 201 331 03	protective plate	/RL	1	
7	996 201 105 03	restraining strap		1	
8	996 201 106 03	restraining strap		1	
9	996 201 107 01	restraining strap		1	
10	900 075 479 09	screw M 8 X 40		4	
11	996 201 043 03	filler neck		1	
11	996 201 043 04	filler neck		1	M 150/193
12	996 201 143 01	bleeder valve		1	
13	900 378 036 09	hexagon-head bolt M 6 X 12		3	
14	996 201 241 03	fuel tank cap		1	
15	191 201 557	gasket		1	
16	996 201 755 00	support washer		1	
17	996 201 753 00	gasket		1	

Model	Year	MG	SG	Illustration	Restrictions	Update					
996	05	2	01	201-01		203	11:53	23.08.2006	PORSCHE	PET	PORSCHE

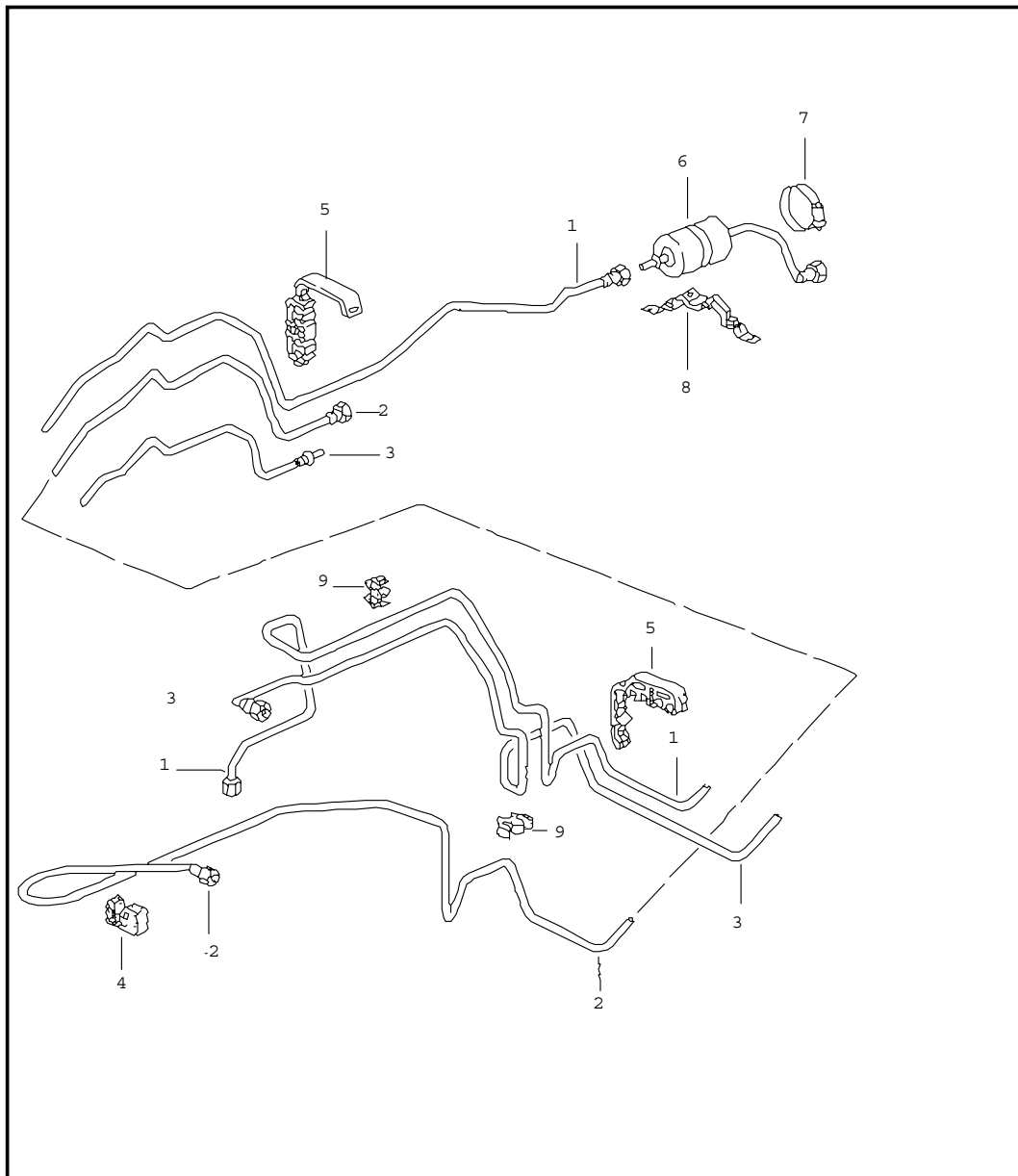
Pos	Part Number	Name	Remarks	Qty	Model	Pos	Part Number	Name	Remarks	Qty	Model
18	996 201 751 00	support		1							
19	996 201 613 00	vent line		1							
20	996 620 113 00	venturi tube set		1							
		- - - E N D - - -									

Model	Year	MG	SG	Illustration	Restrictions	Update	11:54	23.08.2006	PORSCHE	PET	PORSCHE
996	05	2	01	201-05		203					



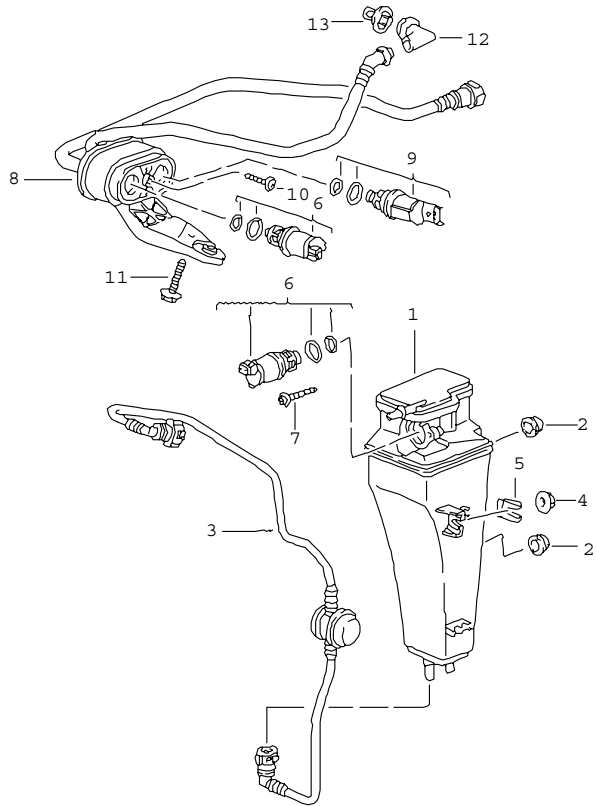
Pos	Part Number	Name	Remarks	Qty	Model
		fuel system front			
1	986 201 261 01	pressure line	-01	1	M 338
1	996 201 261 02	pressure line	02-	1	M 338
1	996 201 261 01	pressure line	-01	1	M 339
1	996 201 261 03	pressure line	02-	1	M 339
2	996 201 271 00	return line	-01	1	M 338
2	996 201 271 01	return line	-01	1	M 339
3	996 201 251 01	vent line		1	
3	996 201 251 02	vent line		1	M 339
4	996 201 361 01	air tube		1	
5	996 201 351 00	air tube		1	
6	999 507 488 40	cable holder		1	
7	999 507 487 40	cable holder		1	
8	999 507 554 40	cable holder		8	
14	996 201 535 00	support		1	
15	999 049 022 40	plastic nut T5/22 X 10		2	
- - - E N D - - -					

Model	Year	MG	SG	Illustration	Restrictions	Update	11:54	23.08.2006	PORSCHE	PET	PORSCHE
996	05	2	01	201-10		203					



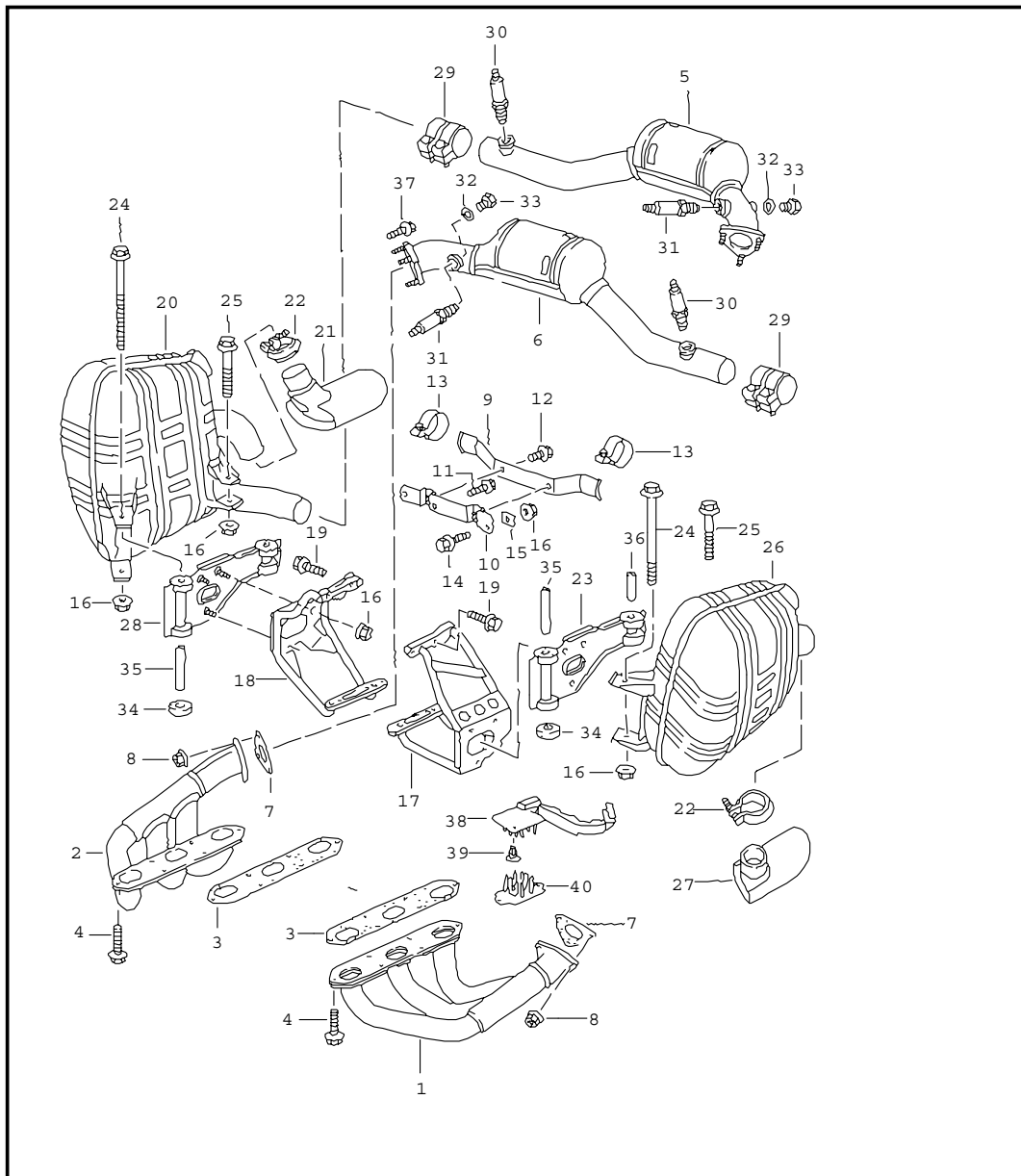
Pos	Part Number	Name	Remarks	Qty	Model
		fuel system rear			
1	996 201 265 00	fuel line	-01	1	
1	996 201 265 05	pressure line	02-	1	
1	996 201 265 01	pressure line	-01	1	M 339
2	996 201 275 02	fuel line	-01	1	
3	996 201 355 00	air tube	-01	1	
3	996 201 355 02	purge-air line	02-	1	
4	999 591 922 40	support	-01	2	
5	999 507 521 40	cable holder		3	
6	996 110 253 01	fuel filter	-01	1	
(6)	996 110 253 52	fuel filter	-01	1	M 339
7	999 512 635 00	hose clamp 76 X 12	-01	1	
7	999 512 390 00	hose clamp 60 - 80/13	-01	1	M 339
8	996 504 517 00	support	-01	1	
(8)	996 110 257 03	support	-01	1	M 339
9	999 507 488 40	cable holder		4	
(9)	999 507 727 40	cable holder	02-	2	
- - - E N D - - -					

Model	Year	MG	SG	Illustration	Restrictions	Update	11:54	23.08.2006	PORSCHE	PET	PORSCHE
996	05	2	01	201-20		203					



Pos	Part Number	Name	Remarks	Qty	Model
		carbon canister			
1	996 201 221 09	carbon canister		1	
2	999 702 221 40	grommet		2	
3	996 201 255 07	vent line		1	
4	999 084 629 09	hexagon nut M 6		1	
5	999 507 543 02	clamp 2,00 - 3,00		1	
6	996 605 201 01	shut-off valve		1	M 660
7	999 919 171 07	oval-head screw 5,0 X 20		1	M 660
		- - - E N D - - -			

Model	Year	MG	SG	Illustration	Restrictions	Update	11:54	23.08.2006	PORSCHE	PET	PORSCHE
996	05	2	02	202-00		203					



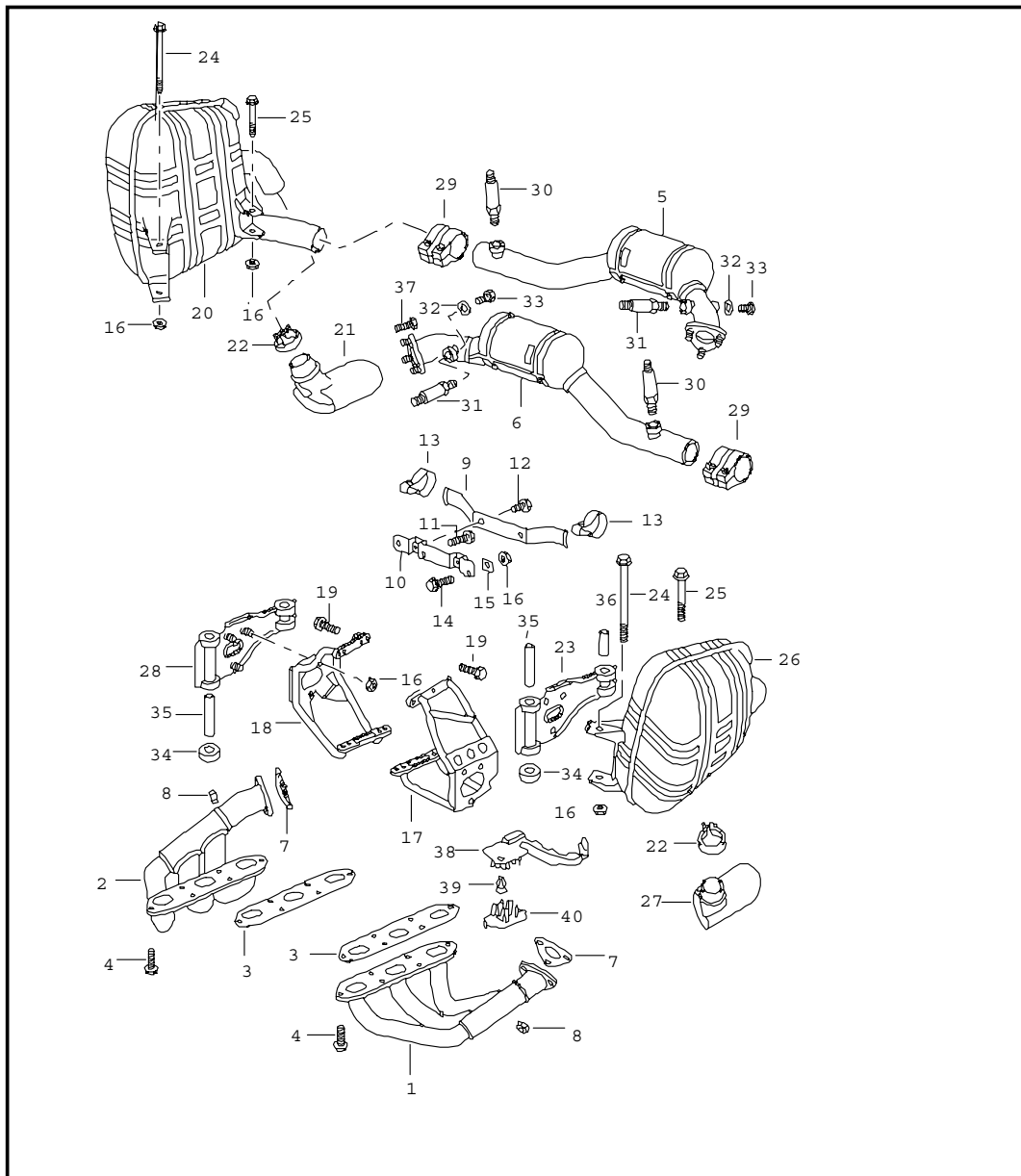
Pos	Part Number	Name	Remarks	Qty	Model
		exhaust system	-01		M96.01/02/04
1	996 111 101 52	exhaust manifold		1	
2	996 111 102 52	exhaust manifold		1	
3	A 996 111 107 52	gasket		2	
(3)	996 111 107 54	gasket		2	
(3)	996 111 107 55	gasket		2	X 51
4	900 378 131 00	hexagon-head bolt M 8 X 28		12	
5	996 113 021 54	catalytic converter	-98	1	M 499
5	996 113 021 57	catalytic converter	99-	1	M 499
5	996 113 021 56	catalytic converter	01	1	M 661
5	996 113 021 52	catalytic converter	-98	1	
5	996 113 021 55	catalytic converter	99-	1	
6	996 113 022 54	catalytic converter	-98	1	M 499
6	996 113 022 57	catalytic converter	99-	1	M 499
6	996 113 022 56	catalytic converter	01	1	M 661
6	996 113 022 52	catalytic converter	-98	1	
6	996 113 022 55	catalytic converter	99-	1	
7	996 111 113 50	gasket		2	
8	999 084 052 02	lock nut M 8		6	
9	996 113 123 52	support		1	
10	996 113 223 50	bracket		1	
11	900 378 188 09	hexagon-head bolt M 6 X 20		1	
12	900 378 187 09	hexagon-head bolt M 8 X 12		2	
13	A 900 165 004 00	clip		2	
13	999 511 087 00	clip		2	
14	900 378 022 09	hexagon-head bolt M 8 X 25		2	



Model	Year	MG	SG	Illustration	Restrictions	Update	11:54	23.08.2006	PORSCHE	PET	PORSCHE
996	05	2	02	202-00		203					

Pos	Part Number	Name	Remarks	Qty	Model	Pos	Part Number	Name	Remarks	Qty	Model
15	900 031 001 02	washer 9,0 X 13 X 3,0		2		31	996 606 168 01	oxygen sensor	02-	2	M 661
16	900 380 005 09	hexagon nut M 8		12		32	900 123 050 20	sealing ring 8 X 11,5		2	
17	996 111 127 55	support		1		33	900 083 080 00	hexagon-head bolt M 8 X 1 X 10		2	
18	996 111 128 54	support		1		34 A	996 111 229 01	damping piece		8	
19	900 378 033 09	hexagon-head bolt M 8 X 30		4		34	996 111 229 00	damping piece		8	
20	996 111 121 55	muffler	-98	1	M 480	35	996 111 230 00	spacer sleeve long		2	
20	996 111 121 56	muffler	99	1	M 480	36	996 111 231 00	spacer sleeve short		2	
20	996 111 121 56	muffler	00-	1	M 480 (J)	37	900 074 287 02	hexagon-head bolt M 8 X 35		6	
20	996 111 121 57	muffler	00-	1	M 480	38	996 606 156 00	cable guide oxygen sensor		1	
(20)	996 111 131 54	muffler		1	M 249	39	999 591 941 40	expander nut ST 4,2		3	
21 A	996 111 251 54	tail pipe	-00	1		40	993 606 105 00	support oxygen sensor		1	
21	996 111 251 55	tail pipe	01	1							
22	996 111 108 00	clip		2							
23	996 111 227 02	support		1							
24	900 378 183 09	hexagon-head bolt M 8 X 140		2							
25	900 378 105 09	hexagon-head bolt M 8 X 70		2							
26	996 111 122 56	muffler		1	M 480						
26	996 111 122 56	muffler	00-	1	M 480 (J)						
26	996 111 122 57	muffler	00-	1	M 480						
(26)	996 111 132 54	muffler		1	M 249						
27 A	996 111 252 54	tail pipe	-00	1							
27	996 111 252 55	tail pipe	01	1							
28	996 111 228 02	support		1							
29	996 111 220 01	clamping sleeve		2							
(30)	993 606 118 01	oxygen sensor	00-	2	M 661						
(30)	996 606 178 01	oxygen sensor	02-	2	M 661						
31	993 606 128 01	oxygen sensor		2							

Model	Year	MG	SG	Illustration	Restrictions	Update	11:54	23.08.2006	PORSCHE	PET	PORSCHE
996	05	2	02	202-01		203					



Pos	Part Number	Name	Remarks	Qty	Model
		exhaust system	02-		M96.03
1	996 111 101 53	exhaust manifold		1	
1	996 111 101 40	exhaust manifold		1	X 51
2	996 111 102 52	exhaust manifold		1	
2	996 111 102 40	exhaust manifold		1	X 51
3	996 111 107 55	gasket		2	
4	999 075 071 00	hexagon-head bolt M 8 X 28		12	
5	996 113 021 58	catalytic converter		1	M 661
5	996 113 021 55	catalytic converter		1	
6	996 113 022 58	catalytic converter		1	M 661
6	996 113 022 55	catalytic converter		1	
7	996 111 113 50	gasket		2	
8	999 084 052 02	lock nut M 8		6	
9	996 113 123 53	support		1	
10	996 113 223 50	bracket		1	
11	900 378 030 09	hexagon-head bolt M 6 X 20		1	
12	900 378 123 09	hexagon-head bolt M 8 X 12		2	
13	999 511 087 00	clip		2	
14	900 378 022 09	hexagon-head bolt M 8 X 25		2	
15	900 031 001 02	washer 9,0 X 13 X 3,0		2	
16	900 380 005 09	hexagon nut M 8		12	
17	996 111 127 58	support	02	1	
17	996 111 127 59	support	03-	1	
18	996 111 128 56	support	02	1	
18	996 111 128 57	support	03-	1	

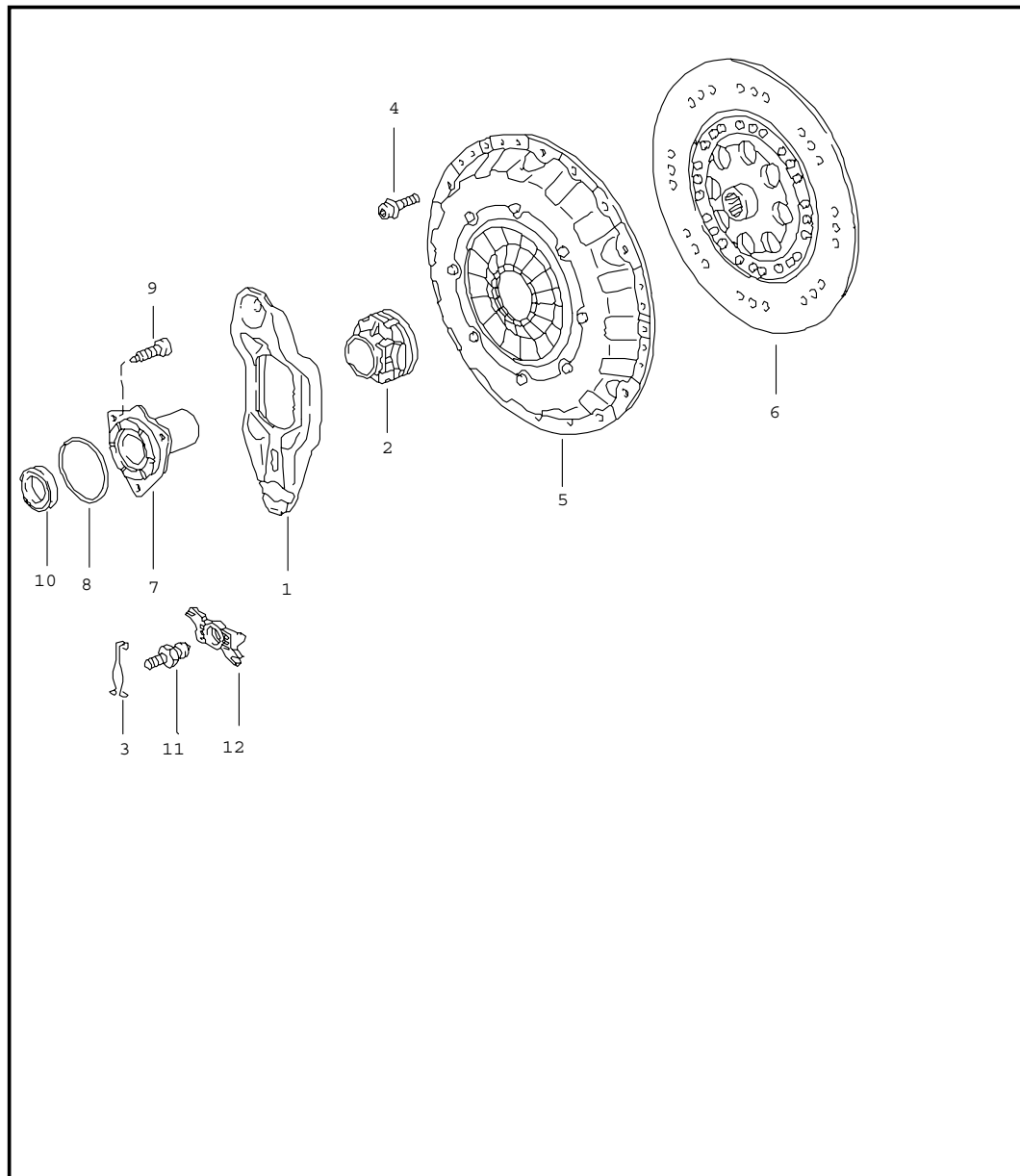
Model	Year	MG	SG	Illustration	Restrictions	Update	11:55	23.08.2006	PORSCHE	PET	PORSCHE
996	05	2	02	202-01		203					

Pos	Part Number	Name	Remarks	Qty	Model	Pos	Part Number	Name	Remarks	Qty	Model
19	900 378 033 09	hexagon-head bolt M 8 X 30		4		26	996 111 132 63	muffler	C4S	1	
20	996 111 131 57	muffler		1		26	996 111 984 02	main exhaust muffler	C4S -03	1	XLF
20	996 111 985 03	main exhaust muffler	-03	1	XLF	26	996 111 984 05	main exhaust muffler	C4S 04-	1	XLF
20	996 111 985 04	main exhaust muffler	04-	1	XLF	27	996 111 053 02	tail pipe left	02	1	
20	996 111 131 66	muffler		1	M 074/M114 M 193/479	27	996 111 053 04	tail pipe left	03-	1	
20	996 111 131 67	muffler	C4S	1	M 074/M114 M 193/479	(27)	996 111 053 03	tail pipe left	04-	1	M 095
20	996 111 131 63	muffler	C4S	1		(27) A	996 111 252 58	tail pipe left	C4S	1	
20	996 111 985 02	main exhaust muffler	C4S -03	1	XLF	(27)	996 111 252 59	tail pipe left	C4S	1	
20	996 111 985 05	main exhaust muffler	C4S 04-	1	XLF						
21	996 111 054 02	tail pipe right	02	1		28	996 111 238 02	support right		1	
21	996 111 054 04	tail pipe right	03-	1		29	996 111 220 01	clamping sleeve		2	
(21)	996 111 054 03	tail pipe right	04-	1	M 095	30	996 606 178 01	oxygen sensor		2	M 661
(21) A	996 111 251 58	tail pipe right	C4S	1		31	996 606 168 01	oxygen sensor		2	
(21)	996 111 251 59	tail pipe right	C4S	1		32	900 123 050 20	sealing ring 8 X 11,5		2	
22	996 111 108 00	clip		2		33	900 083 080 00	hexagon-head bolt M 8 X 1 X 10		2	
23	996 111 237 02	support left		1		37	900 074 287 02	hexagon-head bolt M 8 X 35		6	
24	900 378 183 09	hexagon-head bolt M 8 X 140		2		38	996 606 156 00	cable guide oxygen sensor		1	
25	900 378 105 09	hexagon-head bolt M 8 X 70		2		39	999 591 941 40	expander nut ST 4,2		3	
26	996 111 132 57	muffler		1		40	993 606 105 00	support oxygen sensor		1	
26	996 111 984 03	main exhaust muffler	-03	1	XLF	--	996 606 157 07	cable holder oxygen sensor left		1	
26	996 111 984 04	main exhaust muffler	04-	1	XLF	--	996 606 158 04	cable holder oxygen sensor right		1	
26	996 111 132 66	muffler		1	M 074/M114 M 193/M479	--	999 651 386 02	cable clamp		X	
26	996 111 132 67	muffler	C4S	1	M 074/M114 M 193/M479						

Model	Year	MG	SG	Illustration	Restrictions	Update	11:55	23.08.2006	PORSCHE	PET	PORSCHE
996	05	2	02	202-01		203					

Pos	Part Number	Name	Remarks	Qty	Model	Pos	Part Number	Name	Remarks	Qty	Model
--	996 111 351 02	exhaust pipe right	C4S	1							
--	996 111 352 02	exhaust pipe left	C4S	1							
--	900 050 023 01	round head screw M 10 x 20 for tail pipe		2							
--	900 910 129 02	hexagon nut M 10		2							
--	996 111 988 01	spacer sleeve	XLF	1							
		- - - E N D - - -									

Model	Year	MG	SG	Illustration	Restrictions	Update	11:55	23.08.2006	PORSCHE	PET	PORSCHE
996	05	3	01	301-00		203					



Pos	Part Number	Name	Remarks	Qty	Model
		clutch	99-01 02-		M96.01 M96.02/04 M96.03
		see technical information group 3 NR. 7 / 00			
1	996 116 712 02	clutch release lever		1	
2	996 116 080 03	clutch release bearing	01	1	
2	996 116 080 04	clutch release bearing	02-	1	
3	012 141 741	retaining spring		1	
4	900 067 131 02	screw M 8 X 16		6	
5	996 116 027 02	pressure plate		1	
5	996 116 027 05	pressure plate	02-	1	M 96.03
6	996 116 013 06	clutch plate		1	
7	996 116 087 01	guide sleeve		1	
9	N 903 663 01	pan-head screw M 8 X 22		2	
11	996 116 716 00	ball pin	-99	1	
11	996 116 716 02	ball pin	00-	1	
12	012 141 751 A	intermediate piece		1	
-	996 116 911 00	repair kit complete for clutch	-01	1	
		comprising:			
-	996 116 027 02	pressure plate		1	
-	996 116 013 06	clutch plate		1	
-	996 116 080 03	clutch release bearing		1	
-	996 116 911 02	repair kit for clutch	02-	1	
		comprising:			
-	996 116 027 06	pressure plate		1	
-	996 116 013 06	clutch plate		1	

Model	Year	MG	SG	Illustration	Restrictions	Update					
996	05	3	01	301-00		203	11:55	23.08.2006	PORSCHE	PET	PORSCHE

Pos	Part Number	Name	Remarks	Qty	Model	Pos	Part Number	Name	Remarks	Qty	Model
-	996 116 080 04	clutch release bearing		1							
		- - - E N D - - -									

PORSCHE

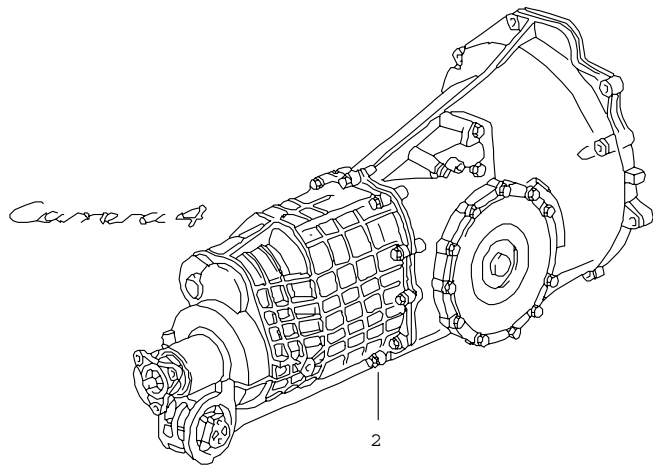
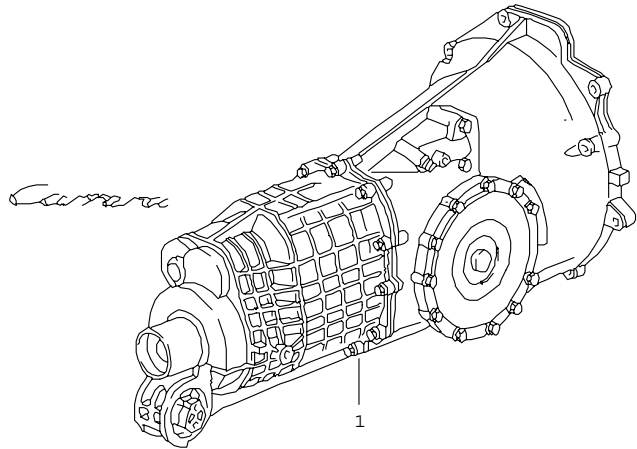
# PET

PORSCHE

Model	Year	MG	SG	Illustration	Restrictions	Update		
996	05	3	01	301-05		203	11:55	23.08.2006

Pos	Part Number	Name	Remarks	Qty	Model
		clutch release	-01		G96.00
			99-01		M 338
			02-		G96.30
			02-		M 339
			02-		G96.01
					M 338
					G96.31
					M 339
		see group 7/02/08			
		- - - E N D - - -			

Model	Year	MG	SG	Illustration	Restrictions	Update	11:55	23.08.2006	PORSCHE	PET	PORSCHE
996	05	3	02	302-00		203					



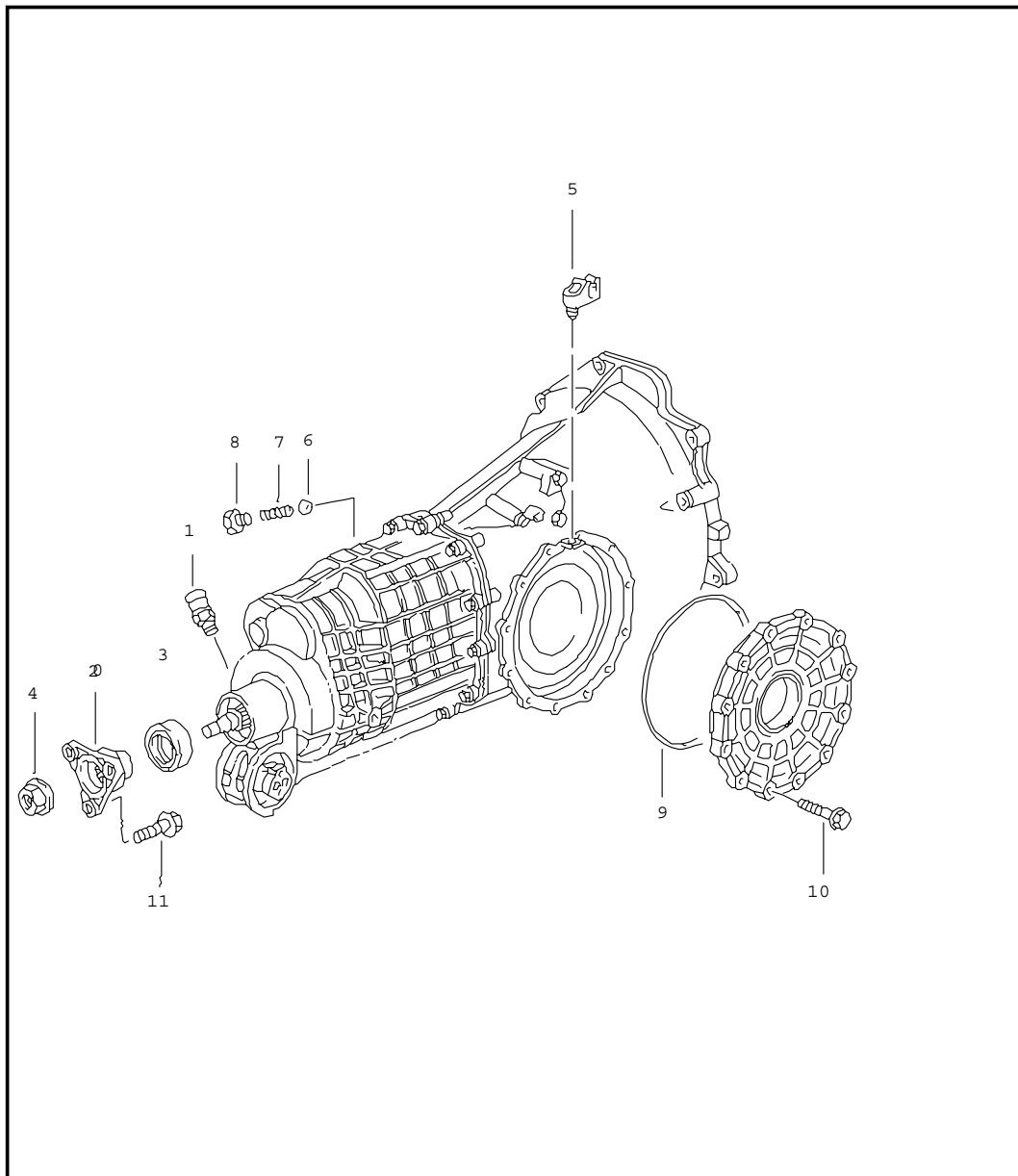
Pos	Part Number	Name	Remarks	Qty	Model
		replacement transmission	-01 99-01 02- 02-		G96.00 G96.30 G96.01 G96.31
		ready for installation use also: 996.424.165.02 999.073.209.09		1 2	
1	A 996 300 010 01	transmission		1	M 219
1	A 996 300 020 00	transmission with limited-slip differential 22/40 %		1	M 220
1	A 996 300 010 02	transmission F >>99WS6 05722 F >>99WS6 05672 use also:	98	1	M 219
-	996 424 041 12	cable transmission control		1	
1	> 996 300 010 03	transmission F >>99WS6 05722 F >>99WS6 05672 use also:	99-01	1	M 219
-	996 424 041 12	cable transmission control		1	
1	996 300 010 06	transmission	02-	1	M 219
1	A 996 300 020 01	transmission with limited-slip differential 22/40 % F >>99WS6 05722 F >>99WS6 05672 use also:	98	1	M 220
-	996 424 041 12	cable transmission control		1	
1	996 300 020 02	transmission with limited-slip differential 22/40 % F >>99WS6 05722 F >>99WS6 05672 use also:	99	1	M 220
-	996 424 041 12	cable transmission control		1	
2	> 996 300 010 33	transmission	99-01	1	M 339



Model	Year	MG	SG	Illustration	Restrictions	Update					
996	05	3	02	302-00		203	11:55	23.08.2006	PORSCHE	PET	PORSCHE

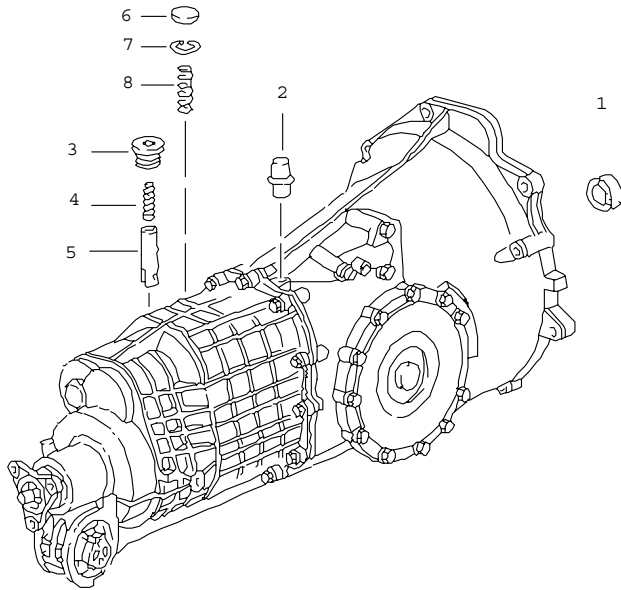
Pos	Part Number	Name	Remarks	Qty	Model	Pos	Part Number	Name	Remarks	Qty	Model
2	> 996 300 010 36	transmission	02-	1	M 339						
2	> 996 300 020 07	transmission with limited-slip differential	04	1	M 095 M 220						
2	> 996 300 020 37	transmission with limited-slip differential	04-	1	IX 75						
-	000 043 204 19	transmission oil GEBINDE 20 LTR.		X							
		- - - E N D - - -									

Model	Year	MG	SG	Illustration	Restrictions	Update	11:55	23.08.2006	PORSCHE	PET	PORSCHE
996	05	3	02	302-05		203					



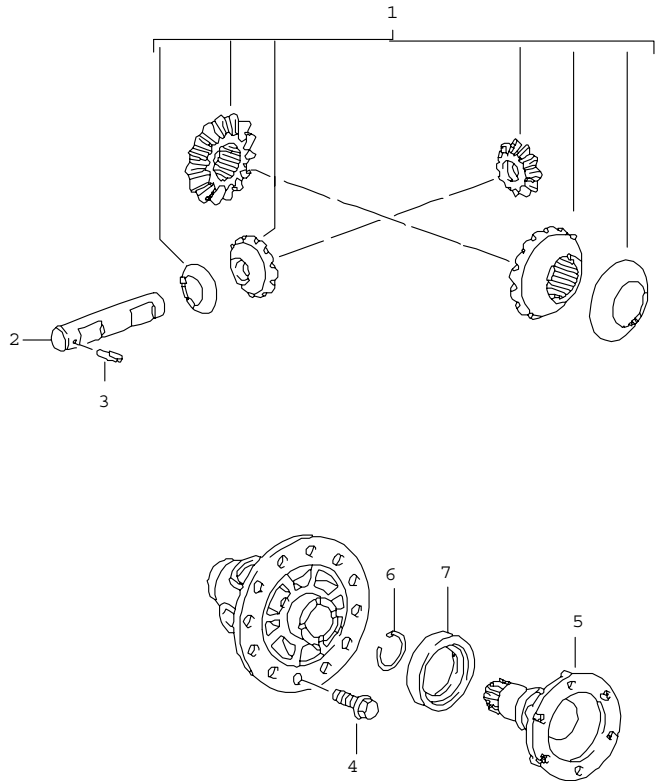
Pos	Part Number	Name	Remarks	Qty	Model
		transmission	-01		G96.00
			99-01		M 338
			02-		G96.30
			02-		M 339
			02-		G96.01
			02-		M 338
			02-		G96.31
			02-		M 339
		installed single parts			
1	996 606 103 01	switch		1	
2	996 302 033 00	flange	99-	1	M 339
3	999 113 475 40	shaft seal 40 X 62 X 10	99-	1	M 339
4	996 302 317 00	collar nut	99-	1	M 339
5	996 423 677 00	support		1	
6	900 108 064 00	ball 8		4	
7	996 303 245 00	compression spring		4	
8	900 124 023 02	screw plug M 10 X 1		4	
9	996 301 315 00	o-ring 190 X 3		1	
10	996 301 317 00	hexagon-head bolt M 8 X 35		X	
11	900 378 101 09	hexagon-head bolt M 10 X 35		3	
		- - - E N D - - -			

Model	Year	MG	SG	Illustration	Restrictions	Update	11:56	23.08.2006	PORSCHE	PET	PORSCHE
996	05	3	02	302-06		203					



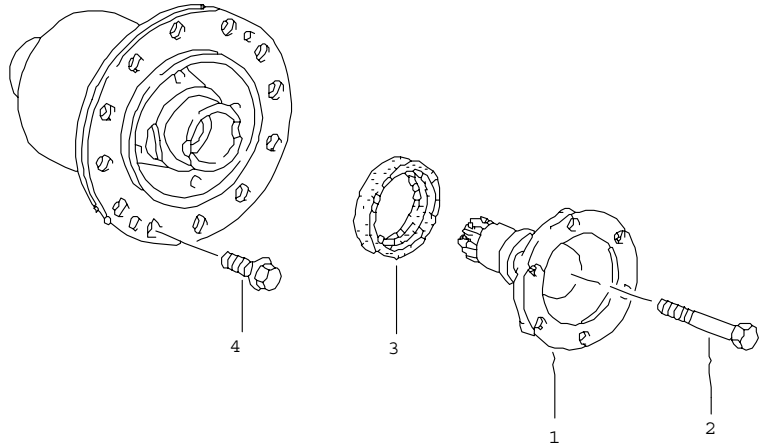
Pos	Part Number	Name	Remarks	Qty	Model
		transmission	-01		G96.00
			99-01		M 338
			02-		G96.30
			02-		M 339
		removed single parts			G96.01
					M 338
					G96.31
					M 339
1	996 302 131 00	shaft seal 28 X 40 X 7,5		1	
2	996 301 071 00	bleeder 17 X 12 X 28,1		1	
3	996 303 237 00	screw plug M 18 X 15		1	
4	996 303 235 00	compression spring		1	
5	996 303 035 00	bolt		1	
6	996 303 257 00	cover 20 X 4		1	
7	900 042 003 01	circlip 20 X 1		1	
8	996 303 255 00	compression spring		1	
		- - - E N D - - -			

Model	Year	MG	SG	Illustration	Restrictions	Update	11:56	23.08.2006	PORSCHE	PET	PORSCHE
996	05	3	05	305-00		203					



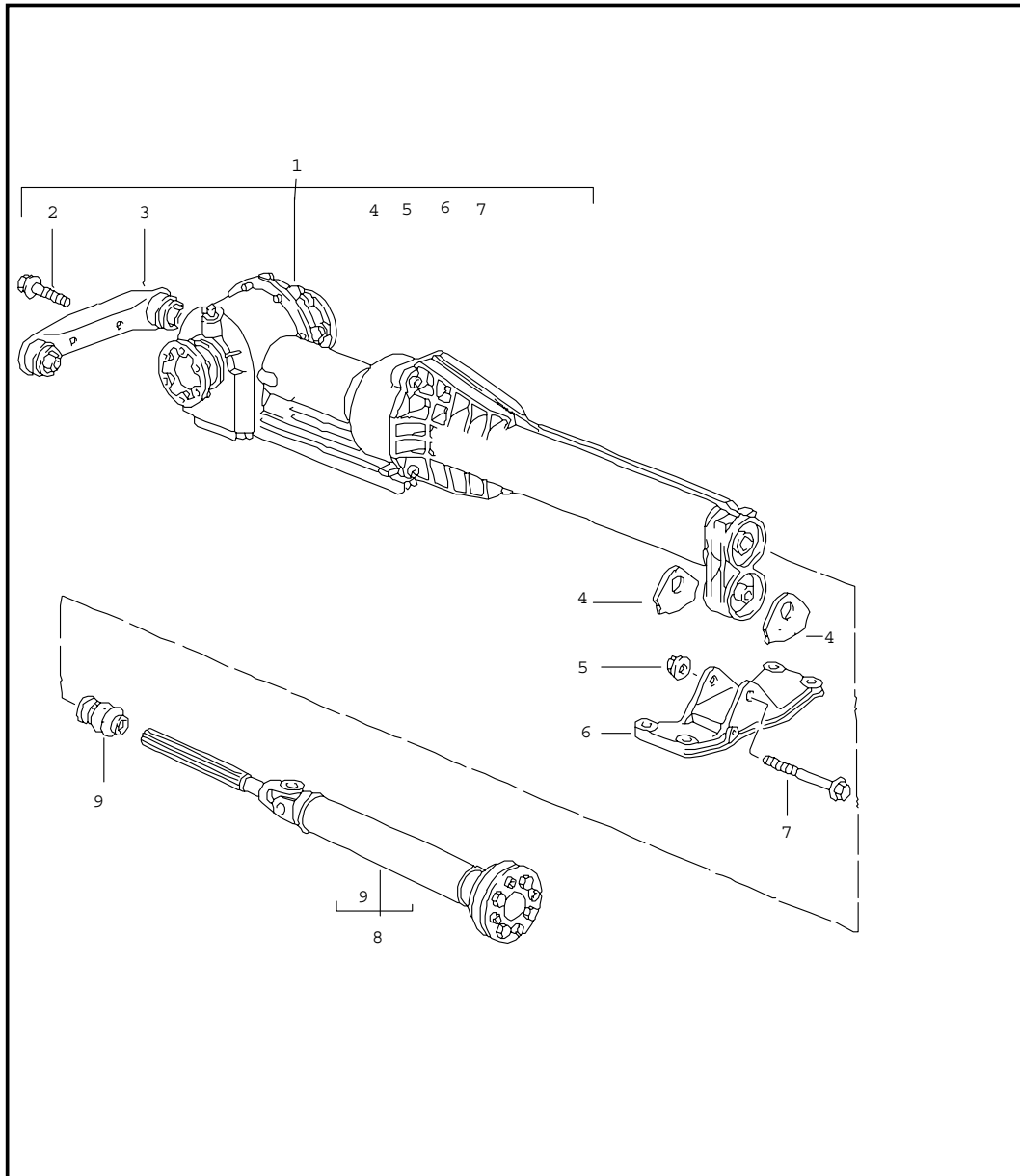
Pos	Part Number	Name	Remarks	Qty	Model
		differential	-01		G96.00
			99-01		M 338
			02-		G96.30
			02-		M 339
			02-		G96.01
			02-		M 338
			02-		G96.31
			02-		M 339
1	996 332 922 00	differential pinions 1 set		1	
2	996 332 205 00	differential bolt		1	
3	900 309 038 01	pin 5 X 16		1	
4	996 332 276 00	hexagon-head bolt M 12 X 1,25 X 22,5		12	
5	996 332 209 00	joint flange	-01	2	
(5)	996 332 209 50	joint flange	02-	2	
6	996 332 249 00	snap ring 35 X 2,5		2	
7	999 113 347 40	shaft seal 48 X 68 X 10		2	
- - - E N D - - -					

Model	Year	MG	SG	Illustration	Restrictions	Update	11:56	23.08.2006	PORSCHE	PET	PORSCHE
996	05	3	05	305-05		203					



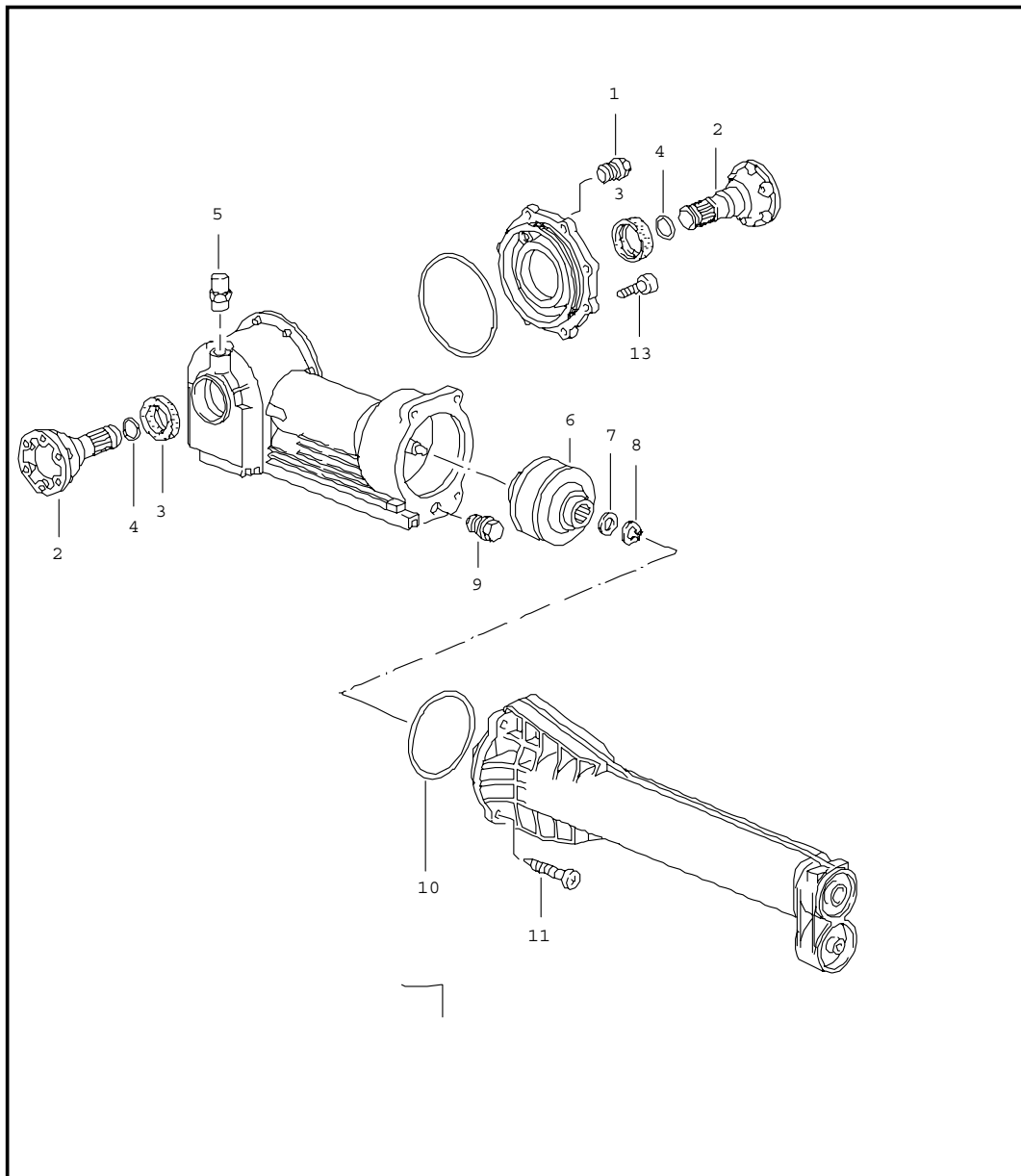
Pos	Part Number	Name	Remarks	Qty	Model
		limited-slip differential	-99		G96.00
1	950 332 209 01	joint flange		2	
2	N 010 472 4	hexagon-head bolt M 10 X 85		2	
3	999 113 347 40	shaft seal 48 X 68 X 10		2	
4	996 332 276 00	hexagon-head bolt M 12 X 1,25 X 22,5		12	
		- - - E N D - - -			

Model	Year	MG	SG	Illustration	Restrictions	Update	11:56	23.08.2006	PORSCHE	PET	PORSCHE
996	05	3	05	305-10		203					



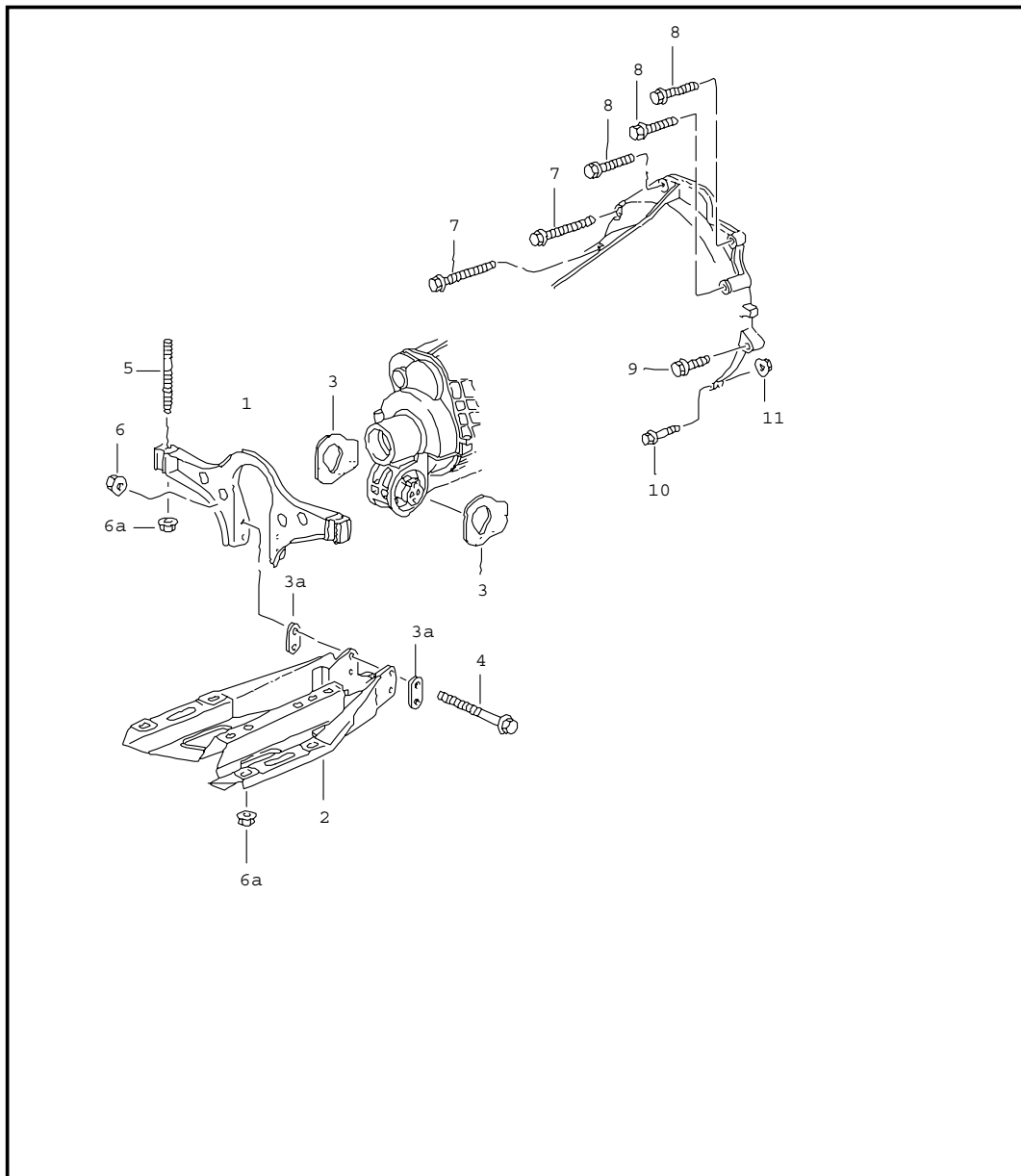
Pos	Part Number	Name	Remarks	Qty	Model
		front-axle final drive	99-		Z96.00
		cardan shaft			M 339
1	996 349 010 02	front-axle final drive ready for installation		1	
2	999 072 034 09	conical screw M 10 X 28		2	
3	996 375 034 00	transmission carrier front		1	
4	996 375 257 01	stop		2	
5	900 380 008 09	hexagon nut M 10		1	
6	996 375 343 03	transmission carrier rear		1	
7	900 378 142 09	hexagon-head bolt M 10 X 90		1	
8	996 421 020 01	cardan shaft	-01	1	
8	996 421 020 50	cardan shaft	02-	1	
9	996 421 145 01	boot		1	
--	996 375 054 02	transmission mounting rear		1	
--	999 061 105 09	stud M 10 X 90		2	
--	900 380 008 09	hexagon nut M 10		2	
		mount front-axle final drive cross member			
		- - - E N D - - -			

Model	Year	MG	SG	Illustration	Restrictions	Update	11:57	23.08.2006	PORSCHE	PET	PORSCHE
996	05	3	05	305-15		203					



Pos	Part Number	Name	Remarks	Qty	Model
		front-axle final drive	99-		Z96.00 M 339
		viscous clutch single parts			
1	N 016 161 1	screw plug M 18 X 1,5		1	
2	996 332 309 00	joint flange		2	
3	999 113 454 40	shaft seal 40 X 60 X 9		2	
4	996 332 311 00	snap ring 2,5 X 20		2	
5	996 301 071 00	bleeder 17 X 12		1	
6	996 339 021 02	viscous clutch		1	
7	900 234 174 00	support washer 20 X 28 X 2,0		1	
8	999 041 021 01	circlip 20 X 1,2		1	
9	900 124 025 02	screw plug M 18 X 1,5 PM		1	
10	999 707 455 40	o-ring 123 X 3		1	
11	N 903 660 01	torx screw M 8 X 36		4	
13	N 903 660 01	torx screw M 8 X 36		8	
		- - - E N D - - -			

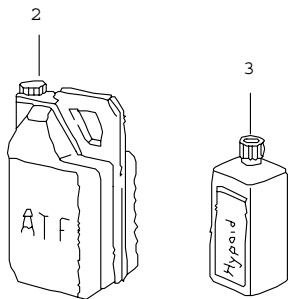
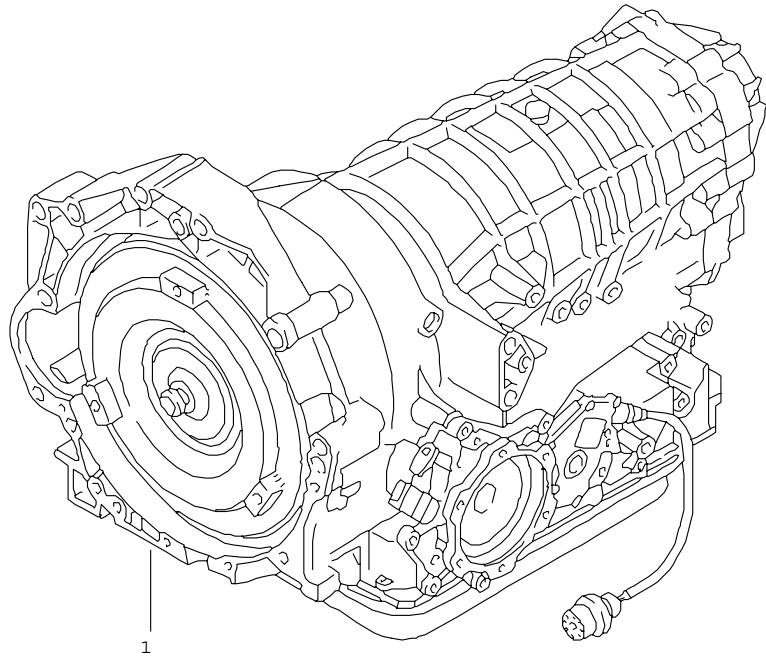
Model	Year	MG	SG	Illustration	Restrictions	Update	11:57	23.08.2006	PORSCHE	PET	PORSCHE
996	05	3	06	306-00		203					



Pos	Part Number	Name	Remarks	Qty	Model
		manual transmission	-01		G96.00
			99-01		M 338
			02-		G96.30
			02-		M 339
		transmission suspension			G96.01
		threaded joint			M 338
		engine			G96.31
					M 339
1	996 375 039 02	transmission carrier	-00	1	
(1)	996 375 039 03	transmission carrier	01-	1	
2	996 375 031 07	transmission carrier		1	-01
2	996 375 031 08	transmission carrier		1	02-
3	996 375 255 04	stop		2	-02
3	996 375 255 05	stop		2	02-
3A	996 375 333 00	packing plate		2	
4	900 378 167 09	hexagon-head bolt M 10 X 110		2	
5	999 061 106 09	stud M 10 X 83		2	
6	900 380 008 09	hexagon nut M 10		2	
(6A)	999 076 053 09	hexagon nut M 10		6	
7	999 072 010 09	hexagon-head bolt M 12 X 1,5 X 100		2	
8	999 072 008 09	hexagon-head bolt M 12 X 1,5 X 70		3	
9	900 378 061 09	hexagon-head bolt M 12 X 1,5 X 50		1	
10	900 378 076 09	hexagon-head bolt M 10 X 50		1	
11	900 377 011 09	hexagon nut M 10		1	
- - - E N D - - -					

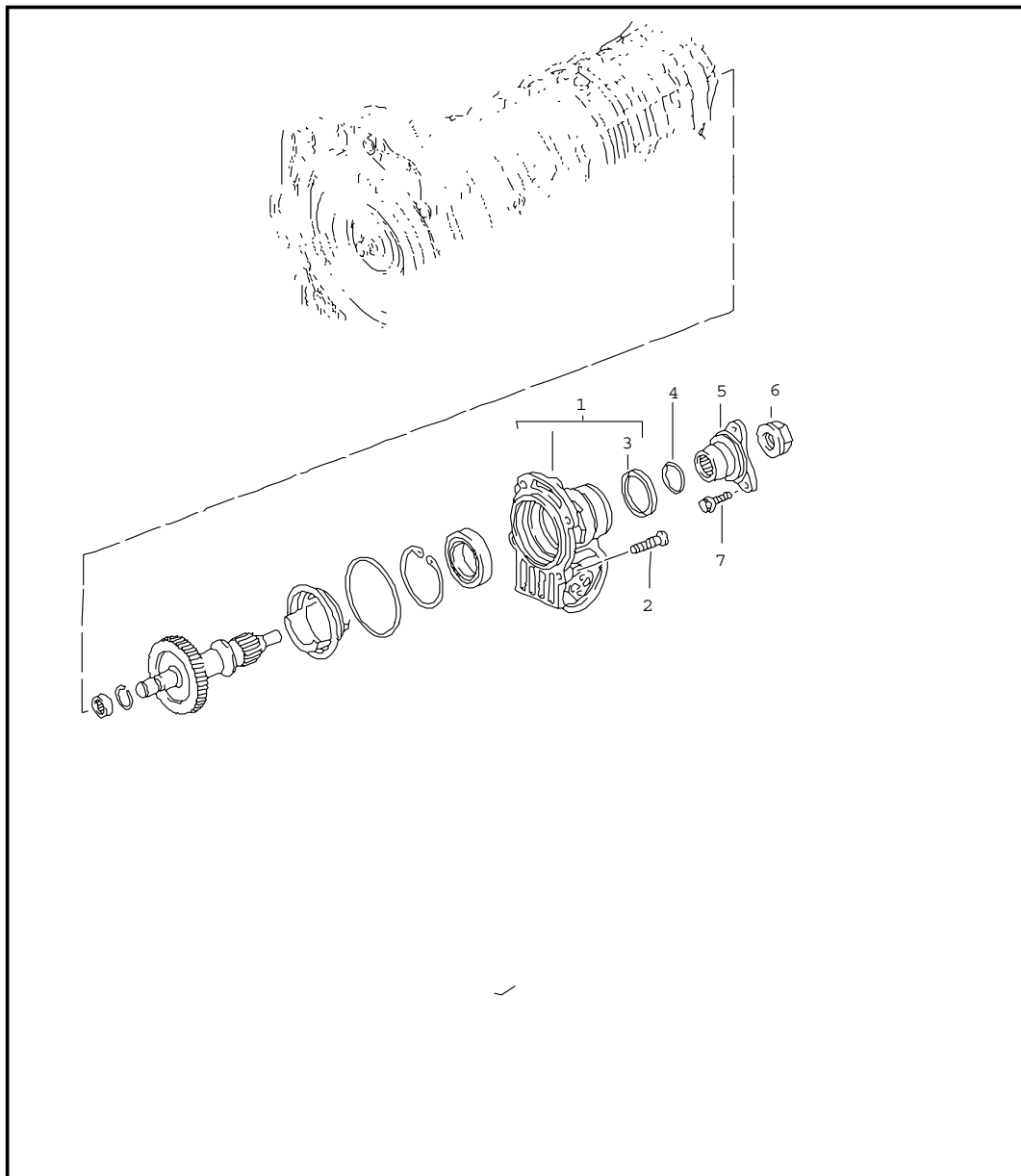


Model	Year	MG	SG	Illustration	Restrictions	Update	11:57	23.08.2006	PORSCHE	PET	PORSCHE
996	05	3	20	320-00		203					



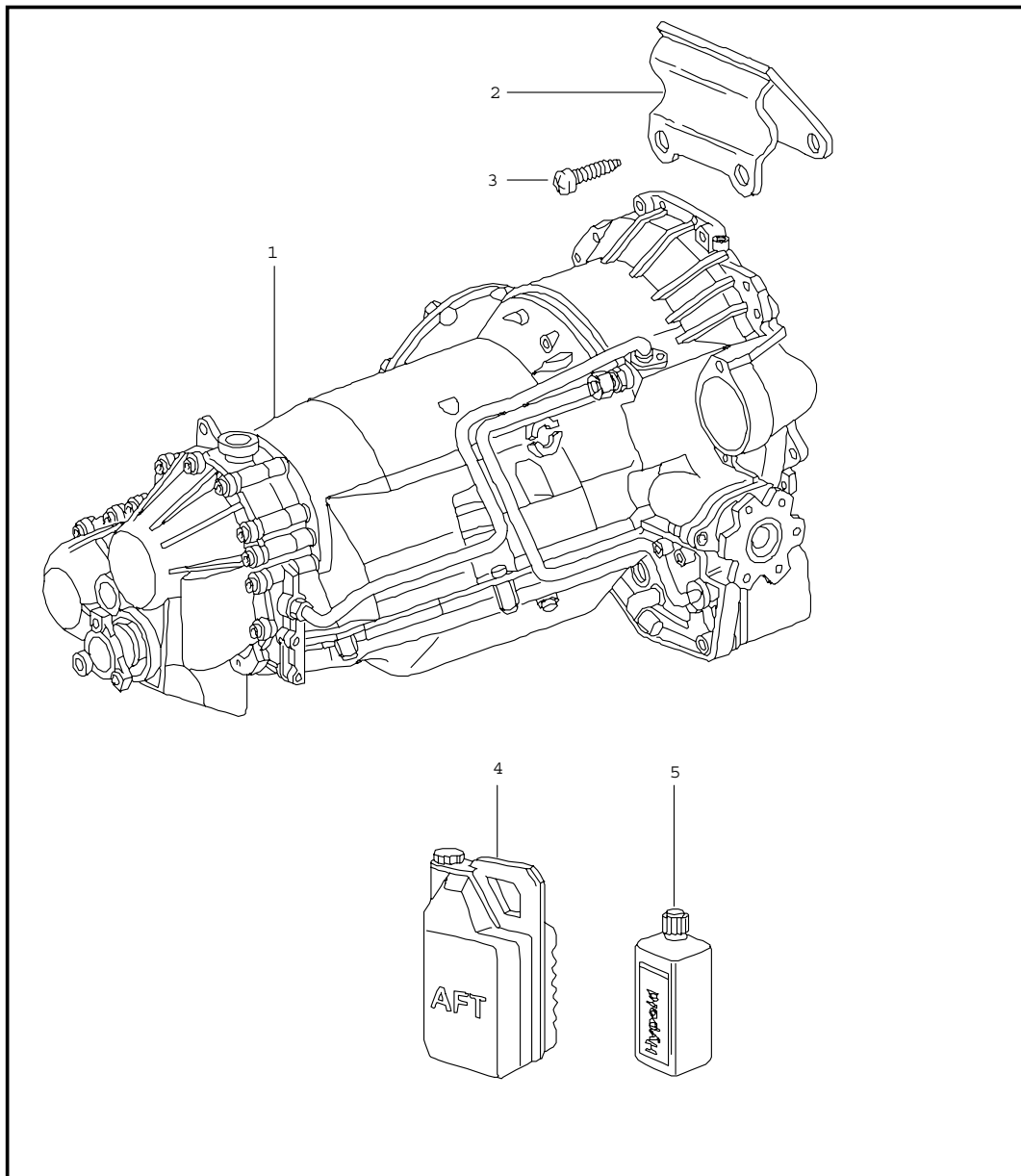
Pos	Part Number	Name	Remarks	Qty	Model
		tiptronic	-01		A96.00
			99-01		M 338
		replacement transmission not ready for installation			A96.30
					M 339
1	A 996 300 911 00	transmission	98	1	M 338
(1)	A 996 300 011 00	transmission	98	1	M 338
(1)	996 300 011 02	transmission	99-00	1	M 338
(1)	996 300 011 03	transmission F >>99XS6 00762 F >>99XS6 40394	01	1	M 338
		use also: control unit 996.618.114.02			
(1)	996 300 011 30	transmission	99-01	1	M 339
2	000 043 205 09	transmission oil ATF 20 LTR. container		X	
3	999 917 546 00	transmission oil 75 W 90 1 LTR. container		X	
- - - E N D - - -					

Model	Year	MG	SG	Illustration	Restrictions	Update	11:57	23.08.2006	PORSCHE	PET	PORSCHE
996	05	3	20	320-01		203					



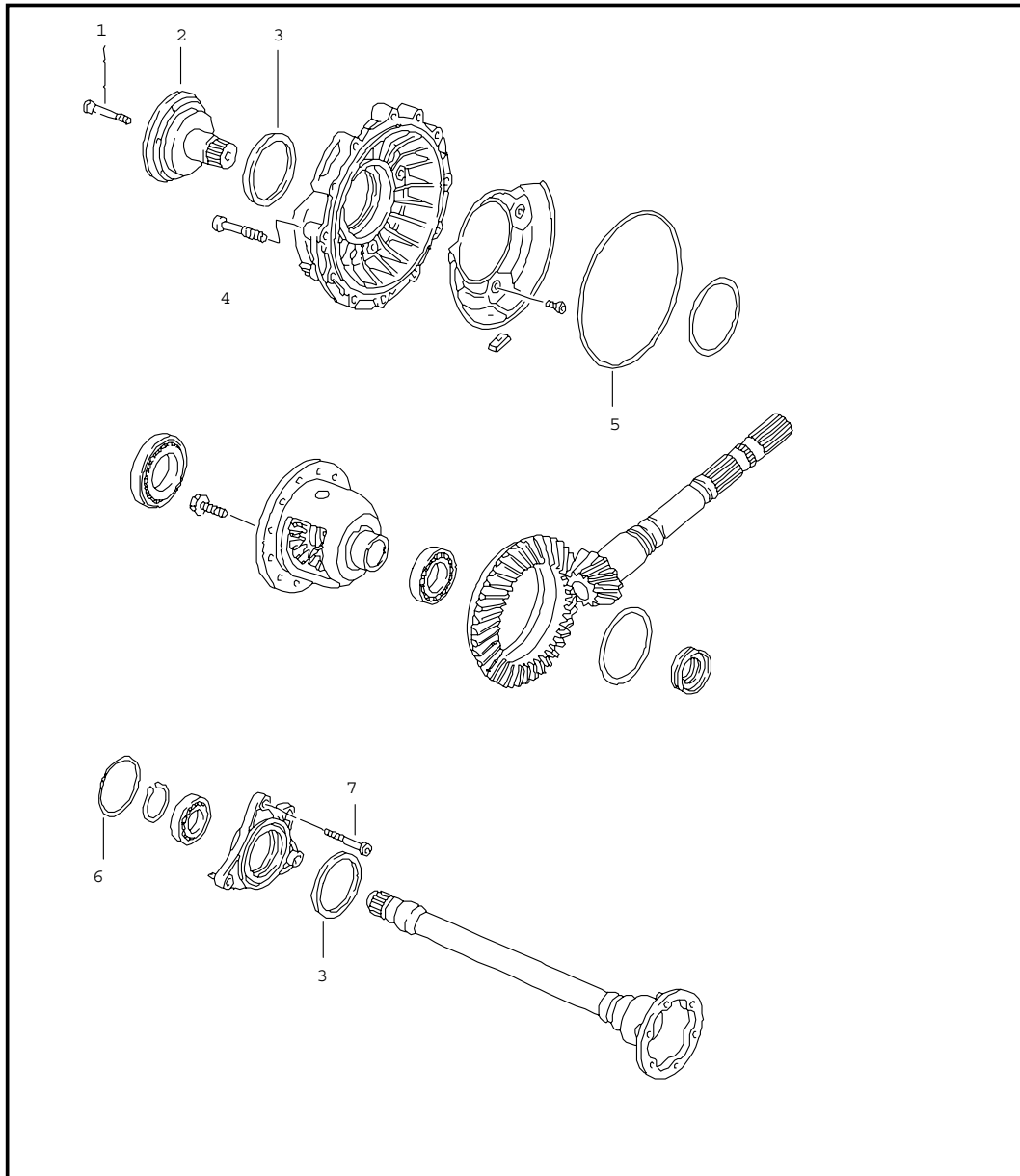
Pos	Part Number	Name	Remarks	Qty	Model
		tiptronic all-wheel driving mechanism	99-01		A96.30 M 339
1	996 321 056 00	transmission bracket		1	
2	996 397 011 00	torx screw M 10 X 35		4	
3	996 397 012 00	shaft seal		1	
4	996 397 013 00	round seal		1	
5	996 302 301 30	flange		1	
6	944 332 293 00	collar nut M 20 X 1,5		1	
7	900 378 101 09	hexagon-head bolt M 10 X 35		3	
		- - - E N D - - -			

Model	Year	MG	SG	Illustration	Restrictions	Update	11:57	23.08.2006	PORSCHE	PET	PORSCHE
996	05	3	20	320-02		203					



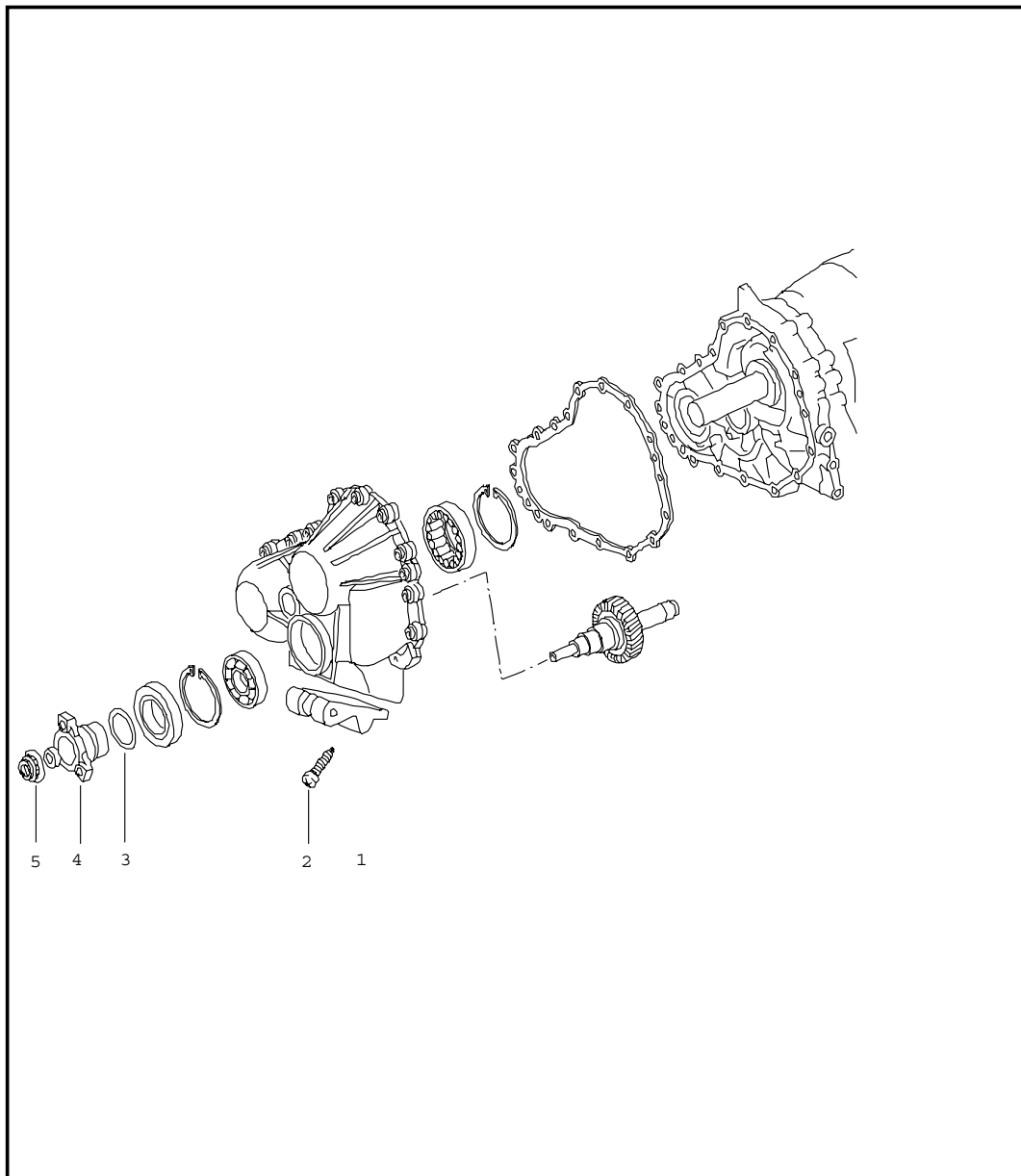
Pos	Part Number	Name	Remarks	Qty	Model
		tiptronic	02-		A96.10
			02-		M 338
		replacement transmission			A96.35
					M 339
1	722 270 050 0	transmission		1	A96.10
(1)	722 270 060 0	transmission		1	A96.35
2	996 449 101 50	hook		1	
3	999 073 190 09	oval-head screw M 8 X 60		2	
4	000 043 204 41	transmission oil ATF 20 LTR. container		X	
5	999 917 546 00	transmission oil 75 W 90 1 LTR. container		X	
-	996 116 101 10	intermediate housing		1	
		- - - E N D - - -			

Model	Year	MG	SG	Illustration	Restrictions	Update	11:58	23.08.2006	PORSCHE	PET	PORSCHE
996	05	3	20	320-03		203					



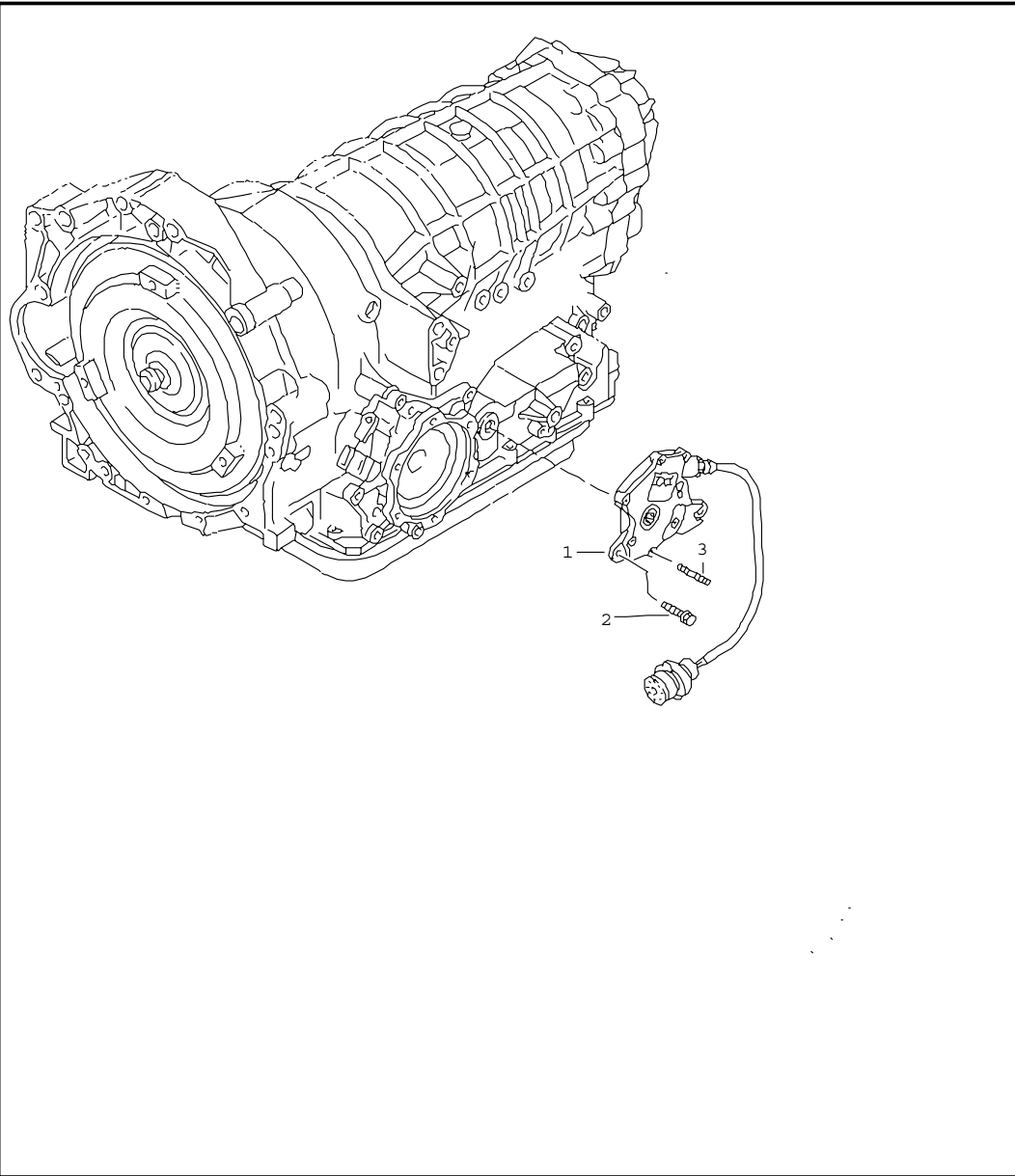
Pos	Part Number	Name	Remarks	Qty	Model
		tiptronic	-01		A96.00
		differential housing	99-01		M 338
					A96.30
					M 339
1	944 332 587 00	elastic bolt M 8		1	
2	996 332 202 00	drive flange		1	
3	996 397 004 00	shaft seal for cover		1	
(3)	996 397 015 00	shaft seal for flange		1	
4	986 397 029 00	pan-head screw M 8 X 45		12	
5	996 397 005 00	round seal		1	
6	986 397 034 00	round seal		1	
7	996 397 007 00	pan-head screw M 8 X 30		3	
		- - - E N D - - -			

Model	Year	MG	SG	Illustration	Restrictions	Update	11:58	23.08.2006	PORSCHE	PET	PORSCHE
996	05	3	20	320-04		203					



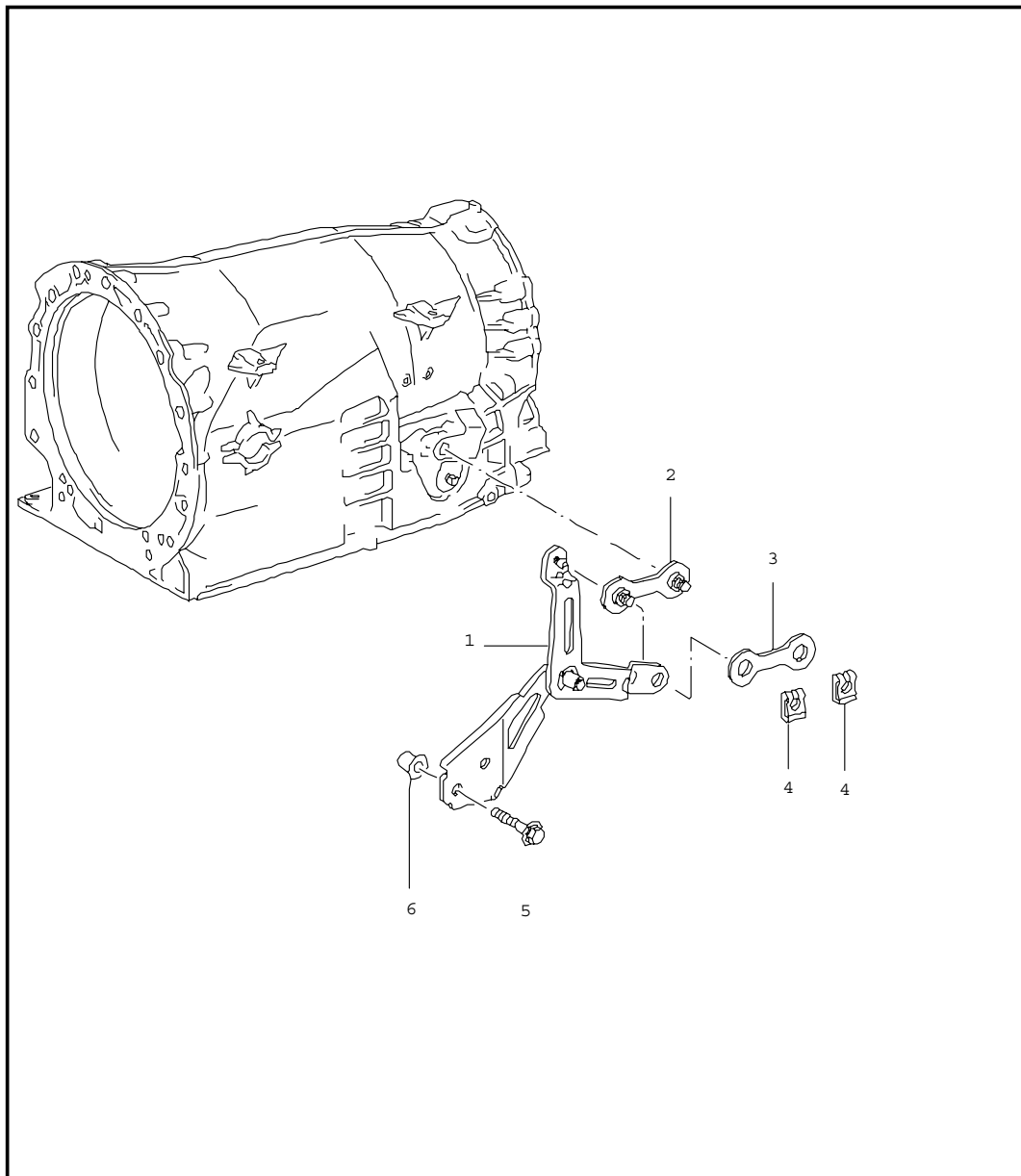
Pos	Part Number	Name	Remarks	Qty	Model
		tiptronic all-wheel driving mechanism	02-		A96.35 M 339
1	722 260 006 2	bearing		1	
2	999 073 178 09	oval-head screw M 8 X 30		4	
3	168 997 004 5	o-ring 28 X 3		1	
4	722 270 022 0	flange		1	
5	140 990 115 0	collar nut M 26 X 1,5		1	
-	022 997 944 7	shaft seal		1	
- - - E N D - - -					

Model	Year	MG	SG	Illustration	Restrictions	Update	11:58	23.08.2006	PORSCHE	PET	PORSCHE
996	05	3	20	320-05		203					



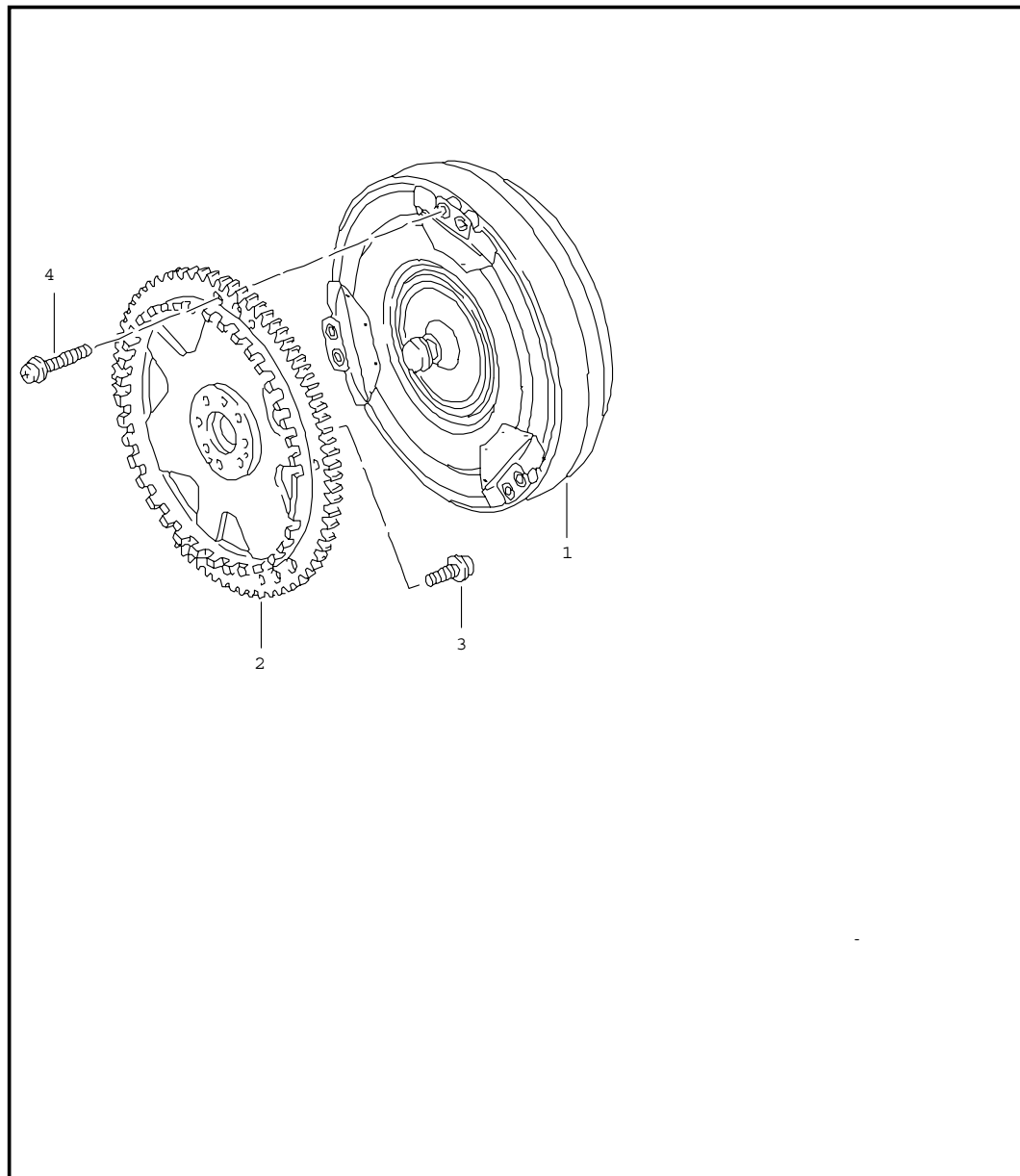
Pos	Part Number	Name	Remarks	Qty	Model
		tiptronic	-01		A96.00
		selector switch	99-01		M 338
		switch			A96.30
1	986 325 612 00	switch		1	M 339
2	986 397 025 00	pan-head screw M 6 X 15		2	
3	986 397 024 00	straight pin M 6 X 14		1	
4	996 397 008 00	shaft seal		1	
5	986 397 037 00	tensioning sleeve		1	
6	996 426 901 00	gearshift lever		1	
		- - - E N D - - -			

Model	Year	MG	SG	Illustration	Restrictions	Update	11:58	23.08.2006	PORSCHE	PET	PORSCHE
996	05	3	20	320-06		203					



Pos	Part Number	Name	Remarks	Qty	Model
		tiptronic	02-		A96.10
			02-		M 338
		selector lever			A96.35
					M 339
1	722 270 011 0	selector lever		1	
2	722 270 025 9	lever		2	
3	722 278 032 0	lever		1	
4	999 166 079 02	lock washer		2	
5	---	screw		2	
6	722 992 002 0	sleeve		1	
		- - - E N D - - -			

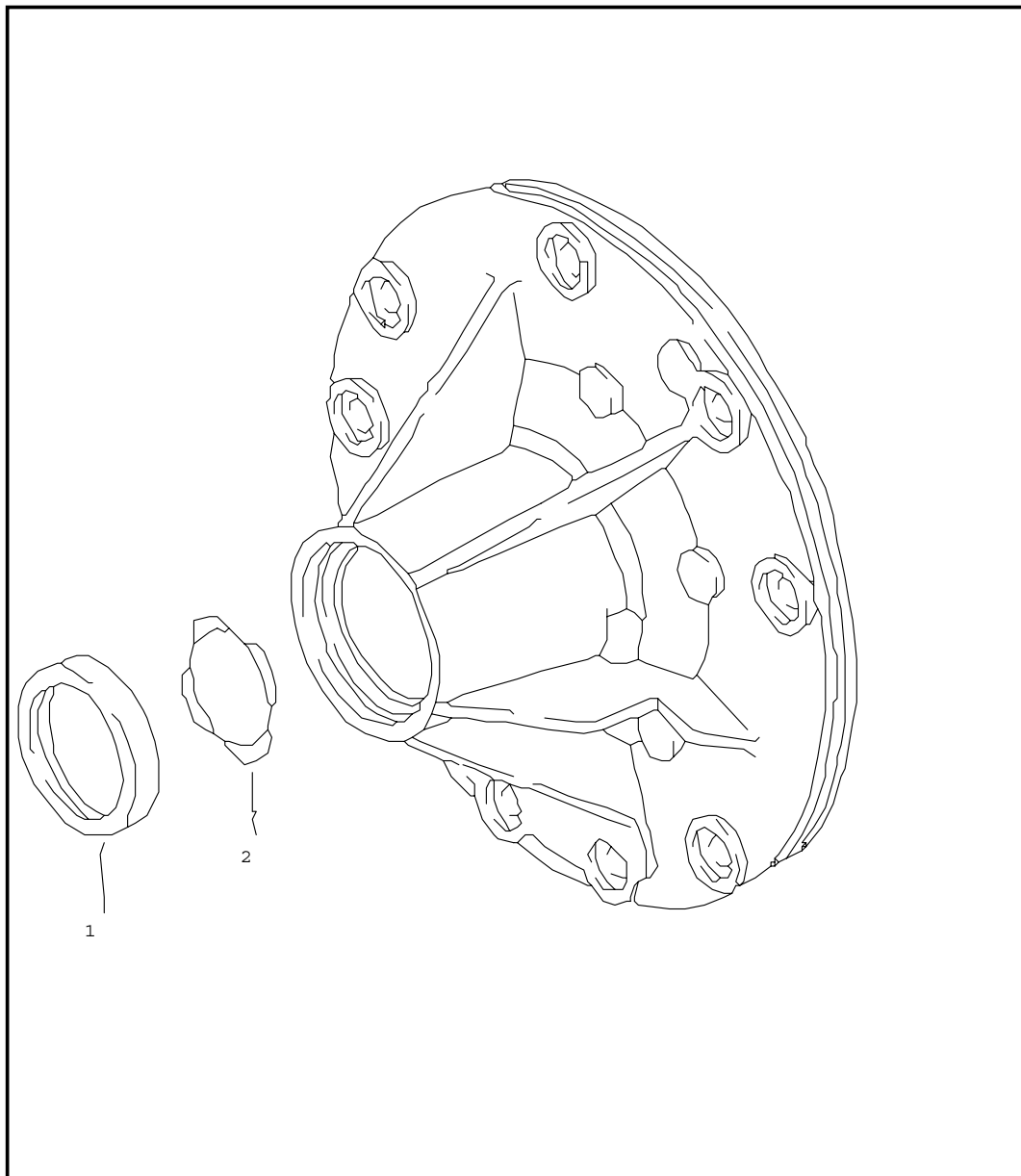
Model	Year	MG	SG	Illustration	Restrictions	Update	11:59	23.08.2006	PORSCHE	PET	PORSCHE
996	05	3	30	330-00		203					



Pos	Part Number	Name	Remarks	Qty	Model
		tiptronic	-01		A96.00
		torque converter	99-01		M 338
		drive plate			A96.30
					M 339
1	996 316 001 00	torque converter		1	
2	996 116 075 07	drive plate		1	
3	999 073 091 09	pan-head screw M 10 X 1 X 25		8	
4	900 067 369 09	pan-head screw M 8 X 20		6	
		- - - E N D - - -			

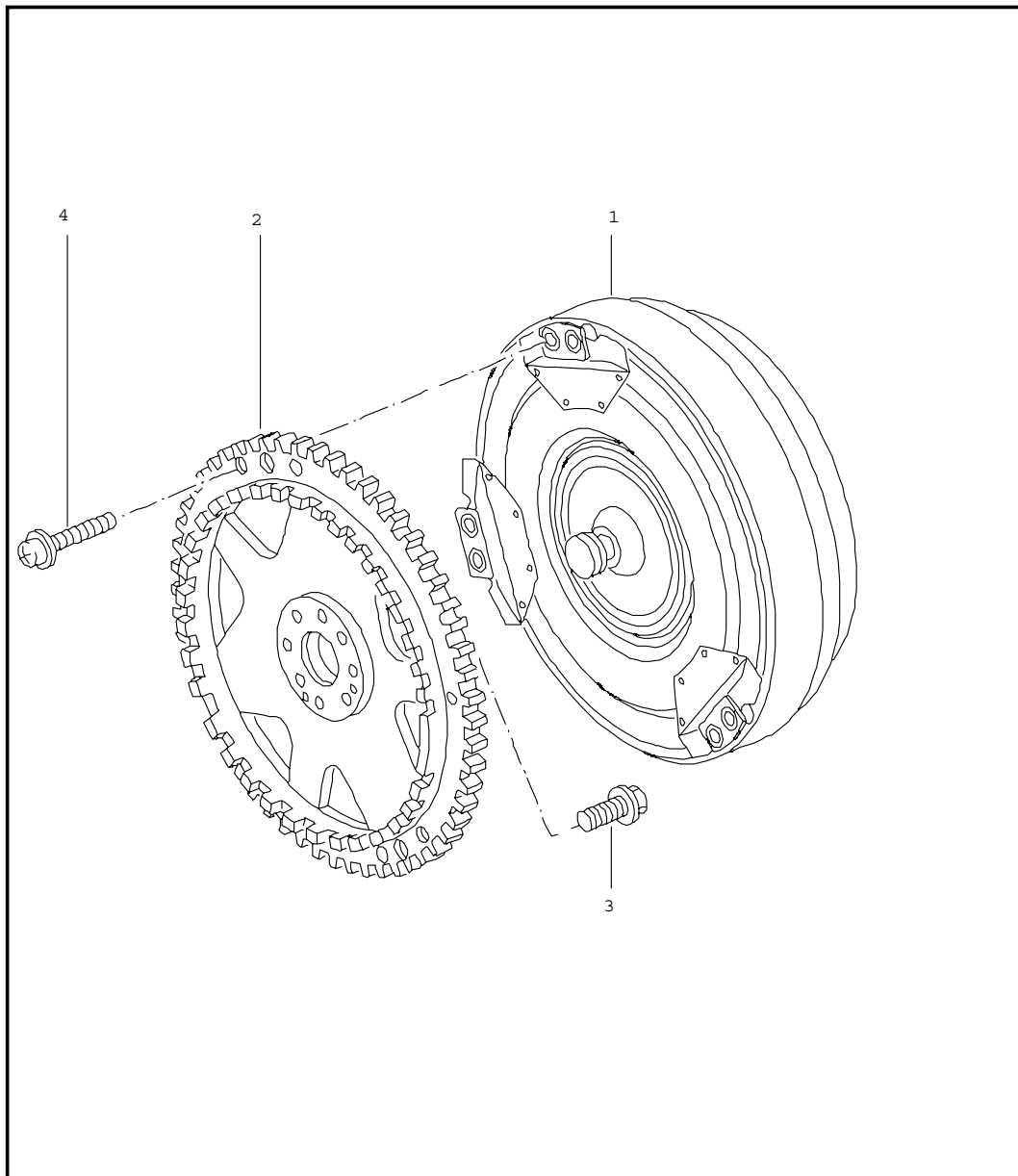


Model	Year	MG	SG	Illustration	Restrictions	Update	11:59	23.08.2006	PORSCHE	PET	PORSCHE
996	05	3	30	330-01		203					



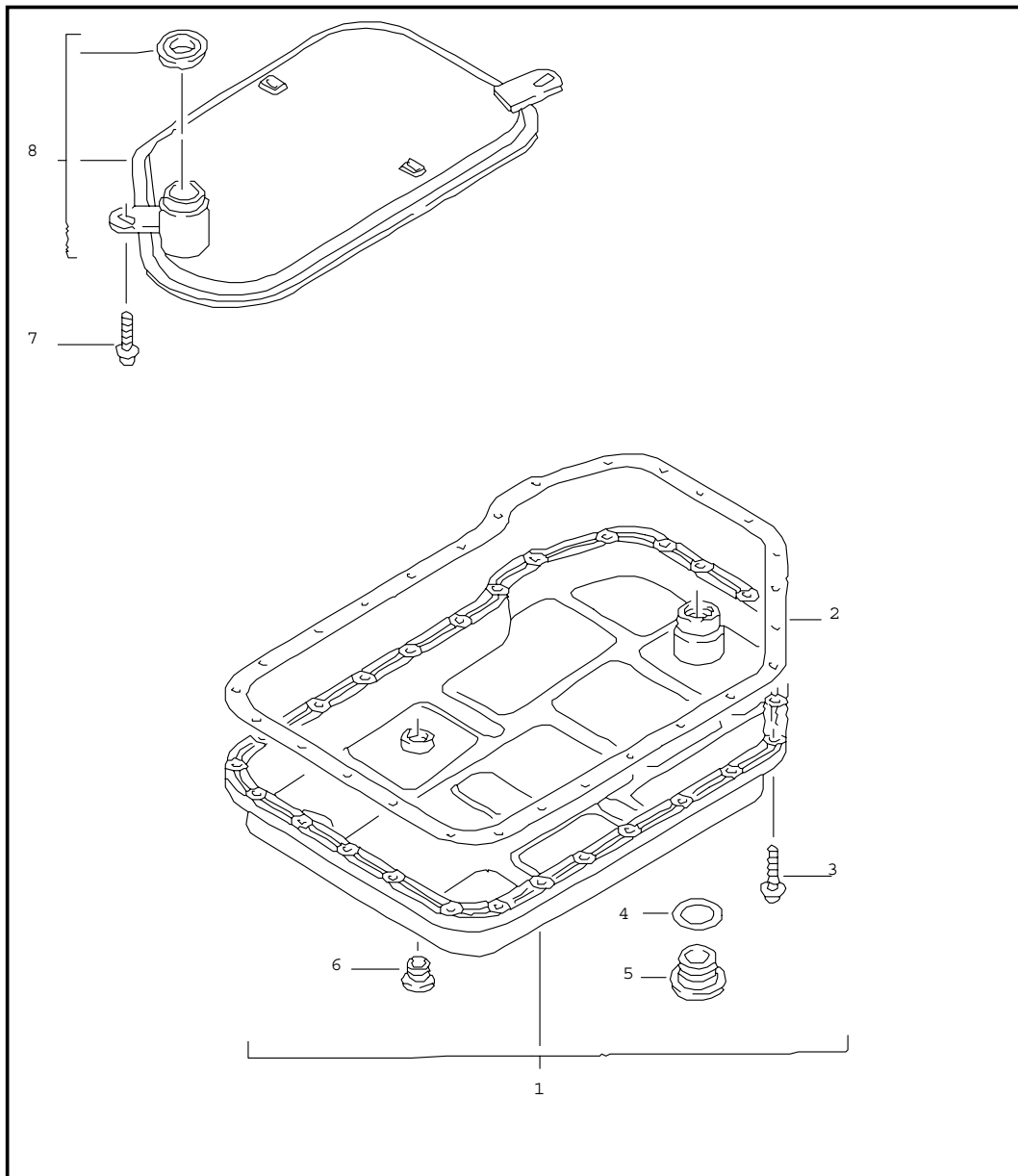
Pos	Part Number	Name	Remarks	Qty	Model
		tiptronic	-01		A96.00
		oil pump	99-01		M 338
1	996 397 010 00	shaft seal		1	A96.30
2	986 397 012 00	washer		1	M 339
- - - E N D - - -					

Model	Year	MG	SG	Illustration	Restrictions	Update	11:59	23.08.2006	PORSCHE	PET	PORSCHE
996	05	3	30	330-02		203					



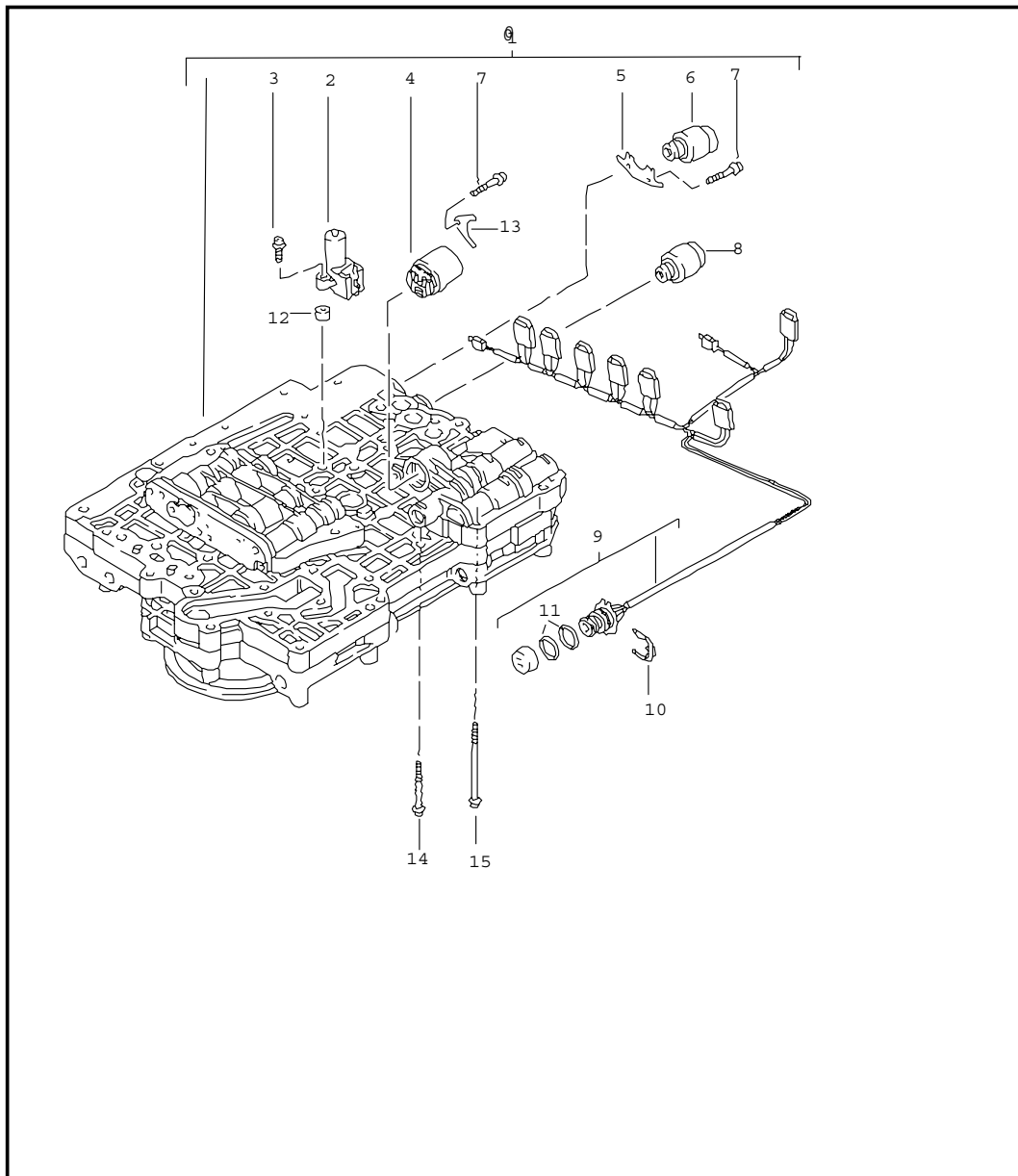
Pos	Part Number	Name	Remarks	Qty	Model
		tiptronic	02-		A96.10
		torque converter drive plate	02-		M 338
					A96.35
					M 339
1	722 250 120 2	torque converter		1	
2	996 116 075 16	drive plate		1	
3	999 073 091 09	pan-head screw M 10 X 1 X 25		8	
4	900 067 369 09	pan-head screw M 8 X 20		6	
-	018 997 044 7	sealing ring for oil pump		1	
		- - - E N D - - -			

Model	Year	MG	SG	Illustration	Restrictions	Update	11:59	23.08.2006	PORSCHE	PET	PORSCHE
996	05	3	40	340-01		203					



Pos	Part Number	Name	Remarks	Qty	Model
		tiptronic	-01		A96.00
		oil filter	99-01		M 338
		oil pan			A96.30
					M 339
1	986 321 025 02	oil pan		1	
2	986 397 016 00	gasket		1	
3	943 397 039 00	pan-head screw M 6 X 20		27	
4	986 397 014 00	round seal		1	
5	986 397 015 00	screw plug M 30 X 1,5		1	
6	986 397 013 00	screw plug M 16 X 1,5		1	
7	943 397 045 00	pan-head screw M 5 X 12		2	
8	996 307 403 00	filter		1	
		- - - E N D - - -			

Model	Year	MG	SG	Illustration	Restrictions	Update	11:59	23.08.2006	PORSCHE	PET	PORSCHE
996	05	3	40	340-02		203					

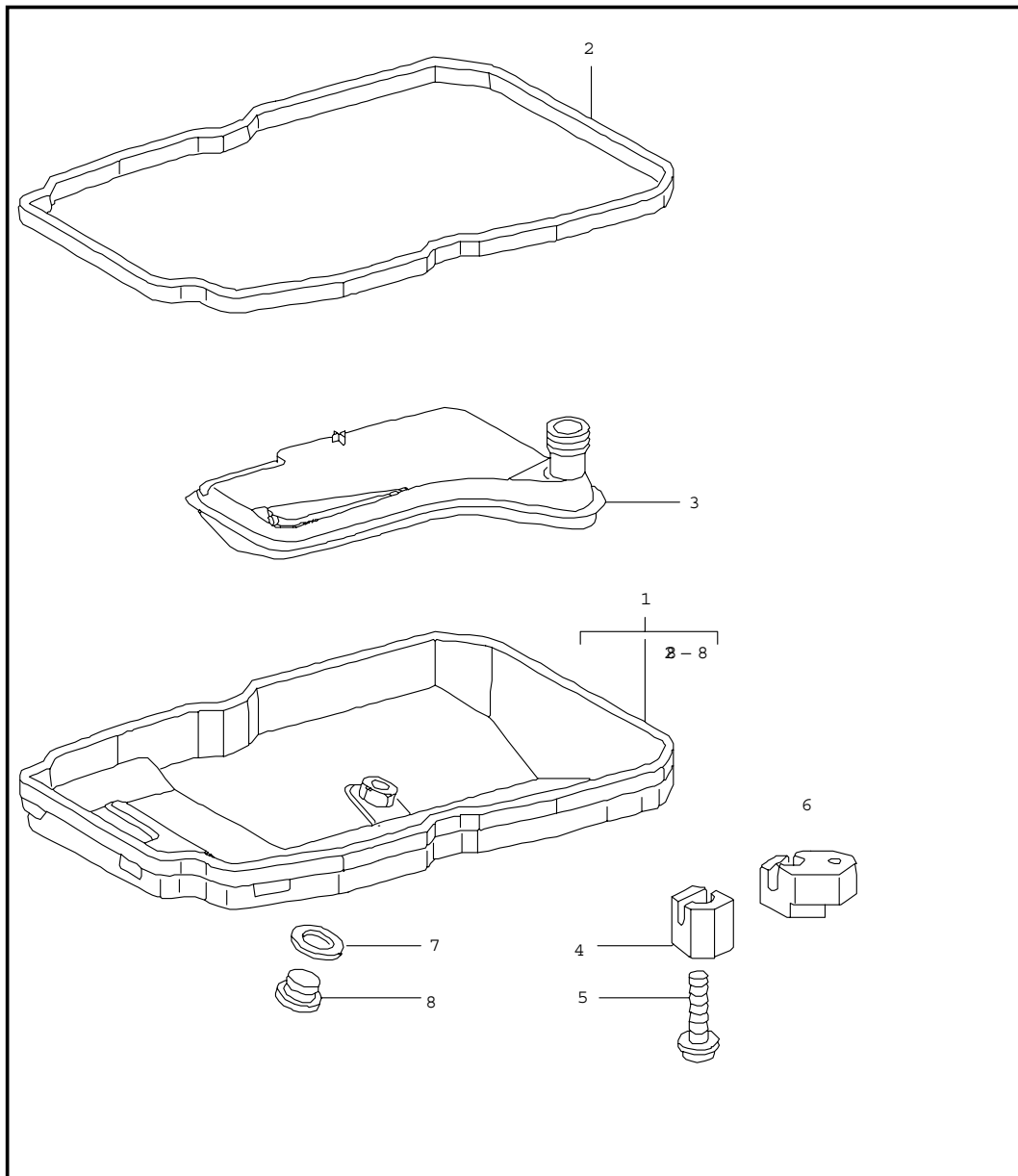


Pos	Part Number	Name	Remarks	Qty	Model
		tiptronic	-01		A96.00
		switch unit	99-01		M 338
		solenoid valve			A96.30
		pressure regulator			M 339
1	996 325 617 00	switch unit type label transmission case attention 1060 050 002 >> 4966		1	
(1)	996 325 617 02	switch unit type label transmission case attention 1060 050 003 << 4967		1	
2	986 325 608 00	inductive transmitter		1	
3	986 397 019 00	pan-head screw M 5 X 40		2	
4	986 325 604 00	pressure regulator type label transmission case attention 1060 050 002 >> 4966		1	
4	986 325 604 01	pressure regulator type label transmission case attention 1060 050 003 << 4967		1	
5	986 325 615 00	retaining bracket		2	
6	996 325 601 00	solenoid valve		3	
7	943 397 045 00	pan-head screw M 5 X 12		5	
8	986 325 603 00	pressure regulator		3	
9	996 325 611 00	wiring harness		1	
10	986 397 018 00	clamp		1	
11	986 397 017 00	round seal		2	
12	986 397 020 00	spacer ring		2	

Model	Year	MG	SG	Illustration	Restrictions	Update	11:59	23.08.2006	PORSCHE	PET	PORSCHE
996	05	3	40	340-02		203					

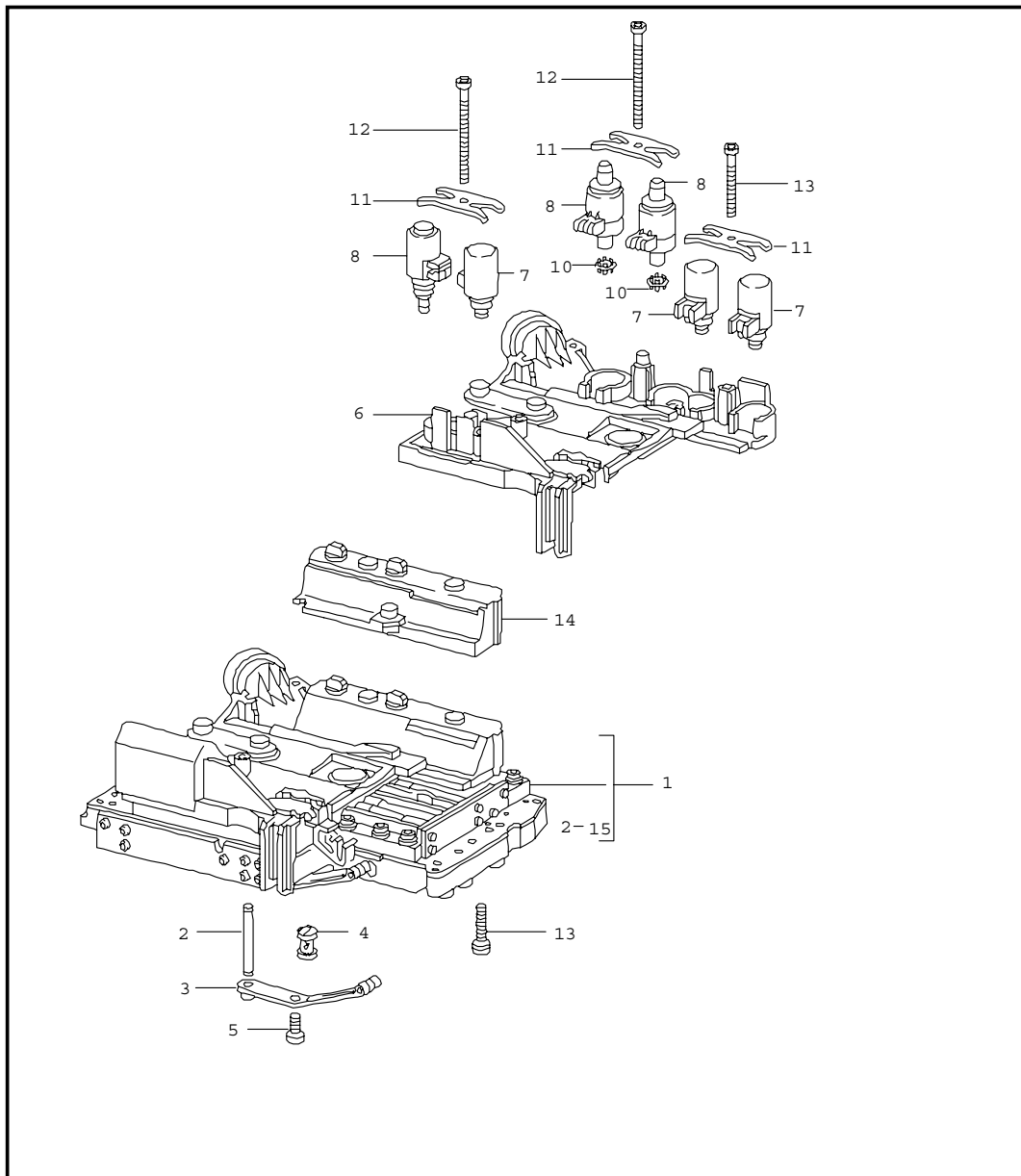
Pos	Part Number	Name	Remarks	Qty	Model	Pos	Part Number	Name	Remarks	Qty	Model
13	996 325 111 00	retaining bracket		1							
14	943 397 013 00	pan-head screw M 6 X 30		1							
15	943 397 005 00	pan-head screw M 6 X 60		16							
16	986 325 609 00	inductive transmitter		1							
17	996 397 001 00	spacer ring		1							
18	996 397 002 00	pan-head screw M 6 X 27		1							
		- - - E N D - - -									

Model	Year	MG	SG	Illustration	Restrictions	Update	12:00	23.08.2006	PORSCHE	PET	PORSCHE
996	05	3	40	340-03		203					



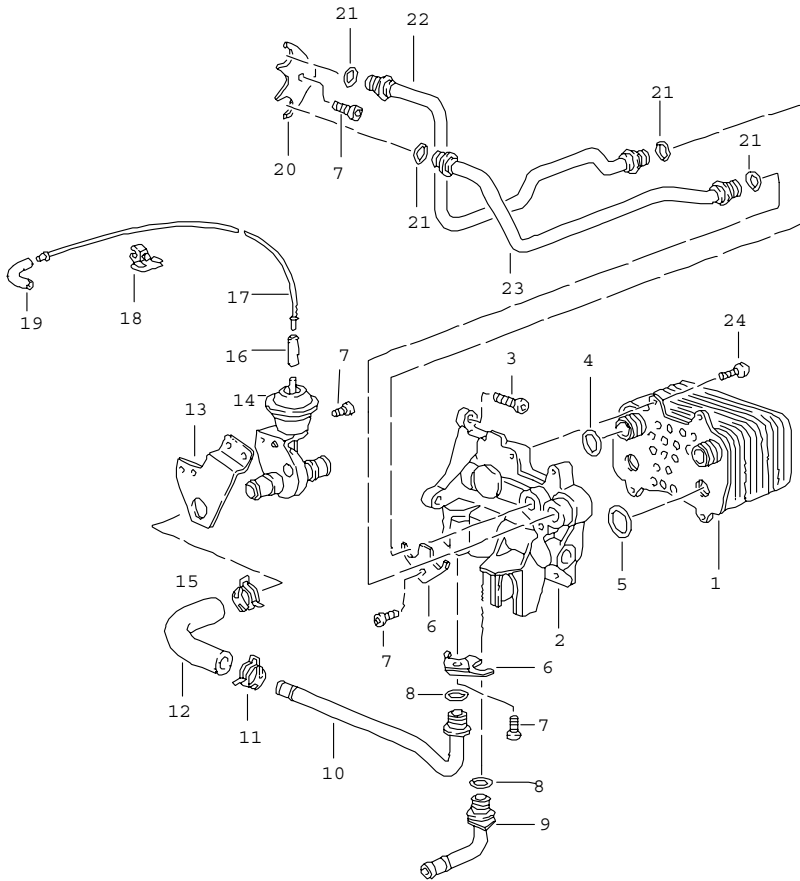
Pos	Part Number	Name	Remarks	Qty	Model
		tiptronic	02-		A96.10
		oil filter	02-		M 338
		oil pan			A96.35
					M 339
1	722 270 161 2	oil pan		1	
2	140 271 008 0	gasket		1	
3	722 277 009 5	oil filter		1	
4	140 271 006 8	clamping sleeve		6	
5	999 073 202 09	pan-head screw M 6 X 22		6	
6	---	clamping sleeve		X	
7	900 123 062 20	sealing ring		1	
8	900 219 007 02	screw plug		1	
		- - - E N D - - -			

Model	Year	MG	SG	Illustration	Restrictions	Update	12:00	23.08.2006	PORSCHE	PET	PORSCHE
996	05	3	40	340-04		203					



Pos	Part Number	Name	Remarks	Qty	Model
		tiptronic	02-		A96.10
		switch unit	02-		M 338
		solenoid valve			A96.35
		pressure regulator			M 339
1	722 270 020 6	switch unit		1	
2	140 277 007 5	pin		1	
3	140 270 017 8	spring		1	
4	140 270 029 8	filter		1	
5	170 990 012 0	screw		1	
6	140 270 056 1	cover plate		1	
7	140 277 053 5	valve		3	
8	140 277 039 8	solenoid valve		2	
9	140 277 043 5	solenoid valve		1	
10	140 270 049 8	filter		2	
11	140 276 000 3	spring plate		3	
12	140 277 107 1	screw		2	
13	140 277 117 10	screw		1	
14	140 271 078 2	cover		1	
15	140 277 067 1	screw		10	
		- - - E N D - - -			

Model	Year	MG	SG	Illustration	Restrictions	Update	12:29	23.08.2006	PORSCHE	PET	PORSCHE
996	05	3	60	360-00		203					



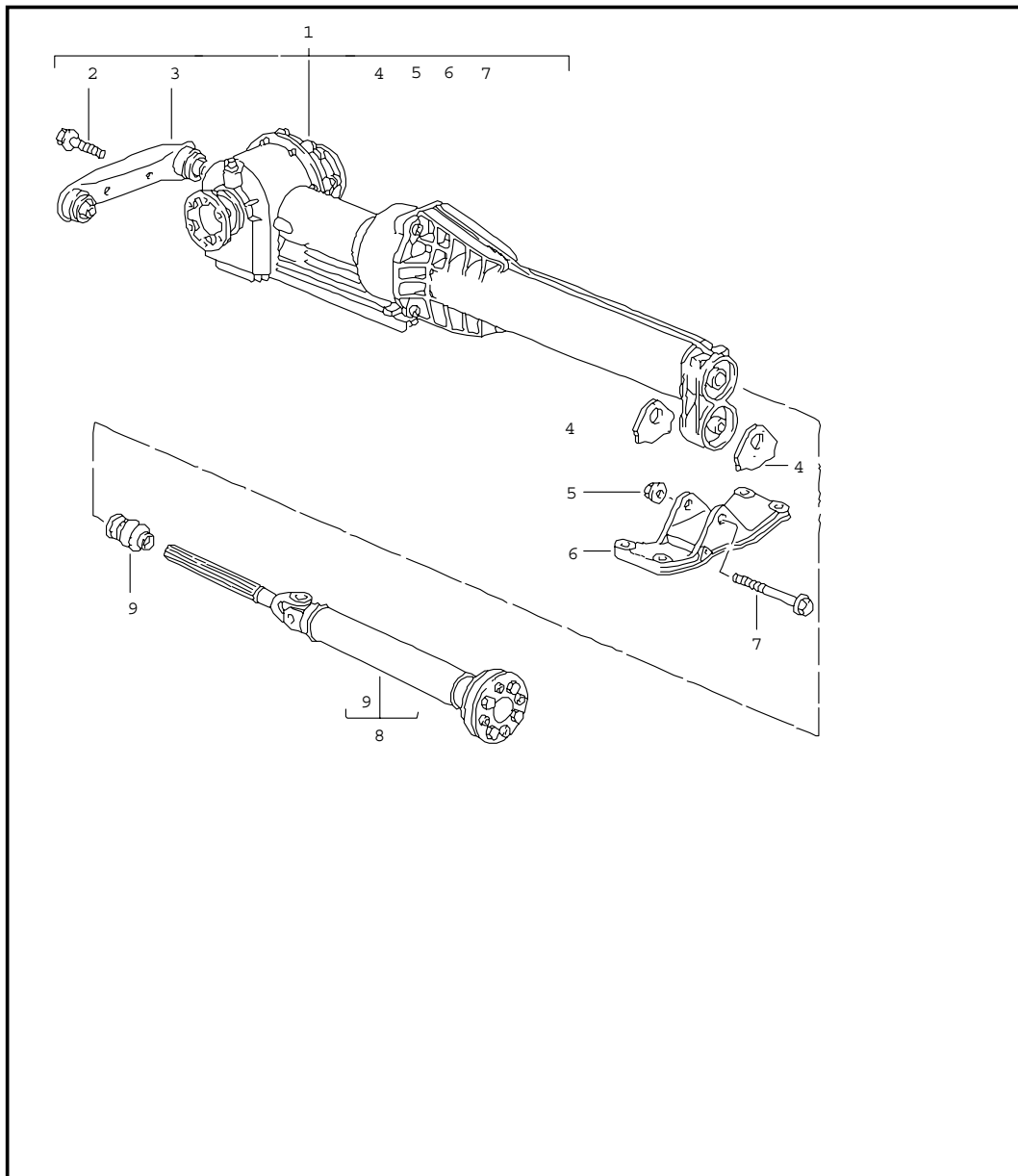
Pos	Part Number	Name	Remarks	Qty	Model
		tiptronic	-01		A96.00
		atf cooler	99-01		M 338
		atf lines			A96.30
					M 339
1	996 307 017 01	atf cooler		1	
2	996 307 020 01	port plate 18,64 X 3,53		2	
3	999 073 095 09	oval-head screw M 8 X 30		3	
4	999 707 388 40	o-ring 18,6 X 3,5		2	
5	900 331 034 40	o-ring 25,8 X 3,5		2	
6	996 307 144 00	support		2	
7	999 073 094 09	oval-head screw M 8 X 20		5	
8	999 707 387 40	o-ring 15 X 2,5		2	
9	996 307 077 03	water line return	99-	1	
10	996 307 075 01	water line supply		1	
11	999 512 552 00	hose clamp 25 X 12		1	
12	996 307 651 00	hose		1	
13	996 307 401 00	plate		1	
14	928 574 573 03	disc valve		1	
15	999 512 655 09	hose clamp 22 X 12		1	
16	999 239 040 40	connecting piece 3,5 X 2 X 28		1	
--	000 043 205 01	pipe		*	
17	---	4 X 1 X 870			
18	996 307 061 00	clamp		1	
--	999 591 965 40	hose holder		1	



Model	Year	MG	SG	Illustration	Restrictions	Update	12:29	23.08.2006	PORSCHE	PET	PORSCHE
996	05	3	60	360-00		203					

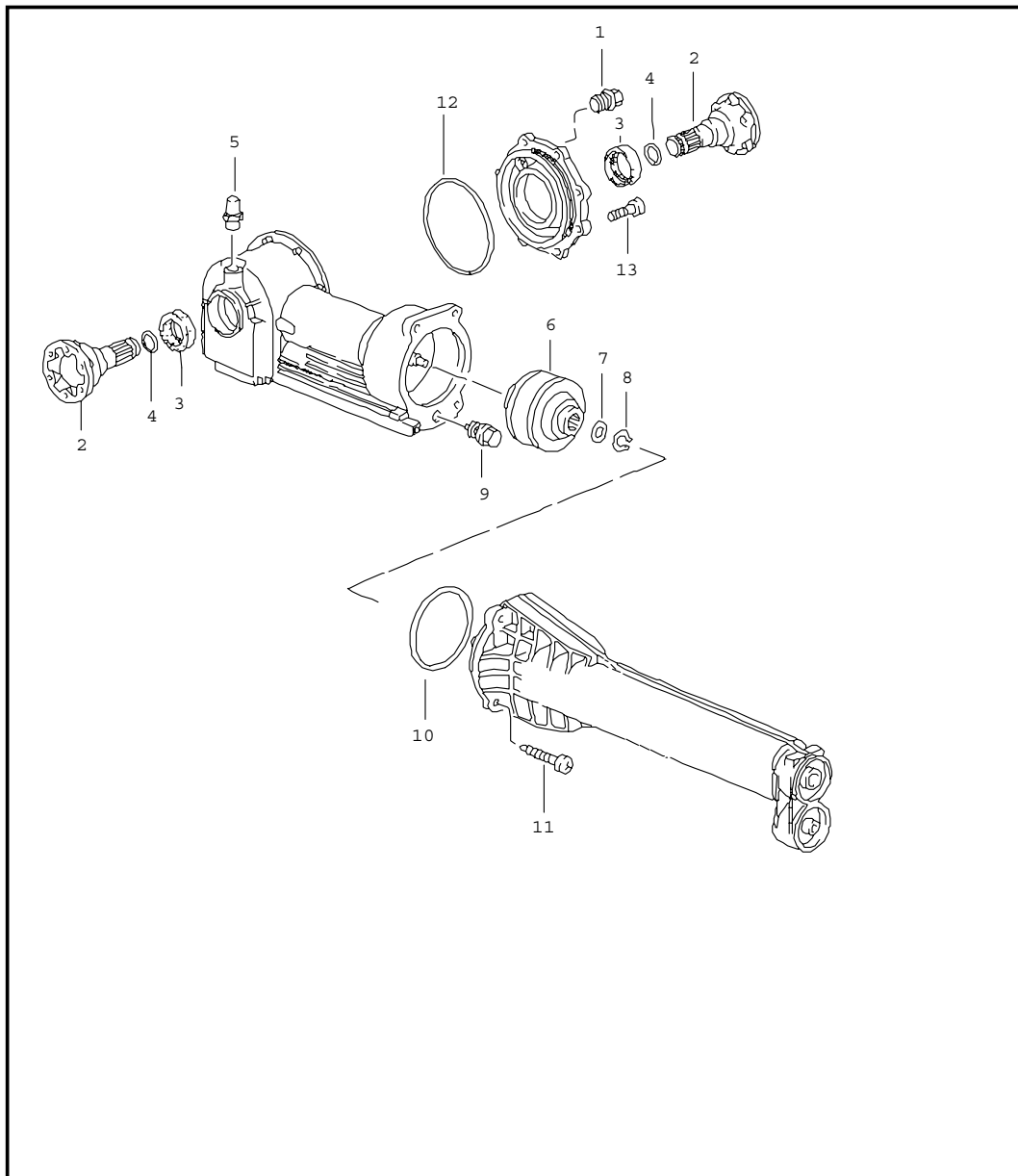
Pos	Part Number	Name	Remarks	Qty	Model	Pos	Part Number	Name	Remarks	Qty	Model
19	928 574 717 03	hose		1							
20	996 307 147 00	support		4							
21	999 707 386 40	o-ring 12,3 X 2,6		4							
22	996 307 085 01	oil pipe return		1							
23	996 307 082 01	oil pipe supply		1							
24	999 073 103 09	oval-head screw M 6 X 16		4							
		- - - E N D - - -									

Model	Year	MG	SG	Illustration	Restrictions	Update	12:30	23.08.2006	PORSCHE	PET	PORSCHE
996	05	3	60	360-01		203					



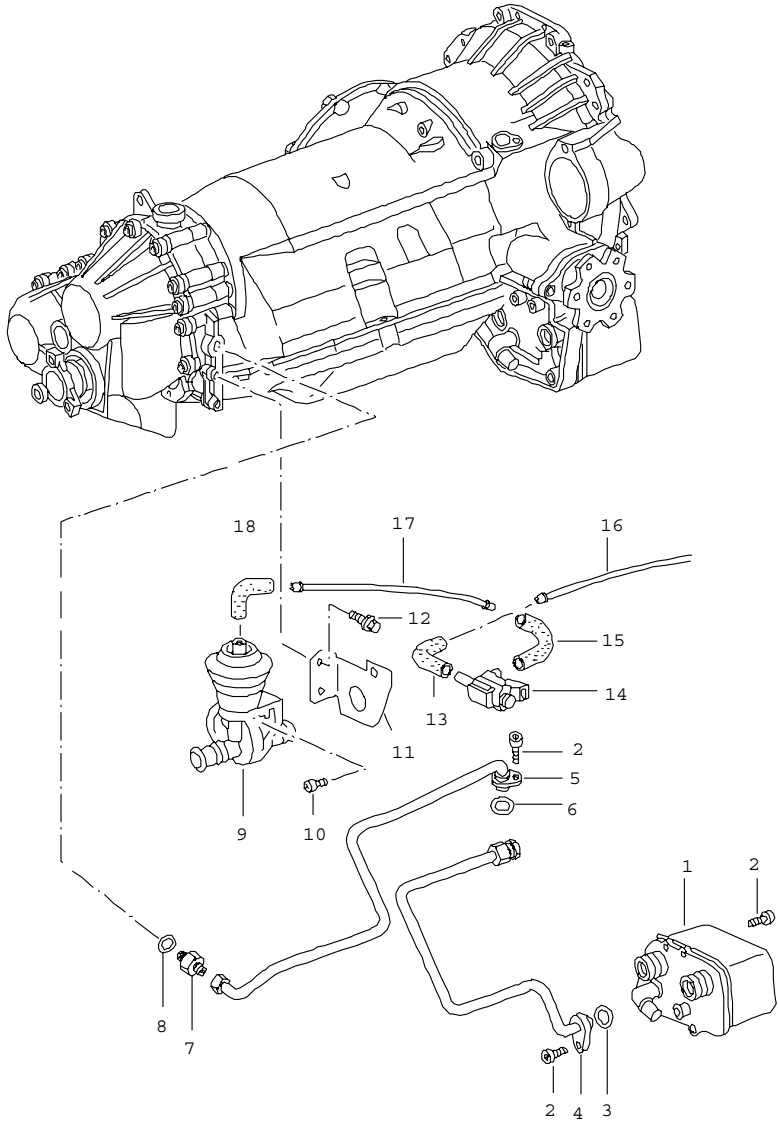
Pos	Part Number	Name	Remarks	Qty	Model
		front-axle final drive	99-		Z96.00
		cardan shaft			M 339
1	996 349 010 02	front-axle final drive ready for installation		1	
2	999 072 034 09	conical screw M 10 X 28		2	
3	996 375 034 00	transmission carrier front		1	
4	996 375 257 01	stop		2	
5	900 380 008 09	hexagon nut M 10		1	
6	996 375 343 03	transmission carrier rear		1	
7	900 378 142 09	hexagon-head bolt M 10 X 90		1	
8	996 421 020 01	cardan shaft	-01	1	
8	996 421 020 50	cardan shaft	02-	1	
9	996 421 145 01	boot		1	
--	996 375 054 02	transmission mounting rear		1	
--	999 061 105 09	stud M 10 X 90		2	
--	900 380 008 09	hexagon nut M 10 mount front-axle final drive cross member		2	
- - - E N D - - -					

Model	Year	MG	SG	Illustration	Restrictions	Update	12:30	23.08.2006	PORSCHE	PET	PORSCHE
996	05	3	60	360-02		203					



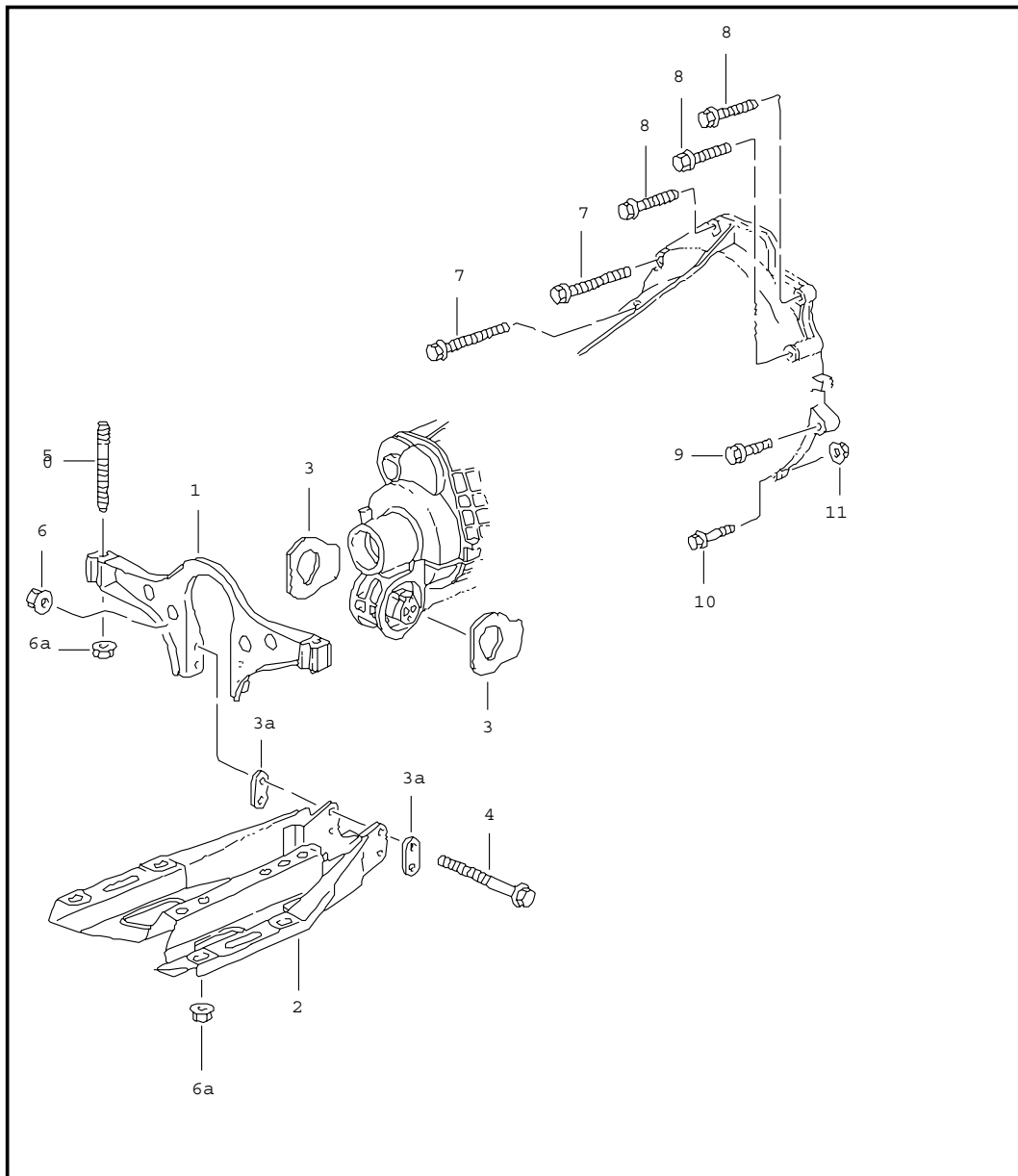
Pos	Part Number	Name	Remarks	Qty	Model
		front-axle final drive	99-		Z96.00 M 339
		viscous clutch single parts			
1	N 016 161 1	screw plug M 18 X 1,5		1	
2	996 332 309 00	joint flange		2	
3	999 113 454 40	shaft seal 40 X 60 X 9		2	
4	996 332 311 00	snap ring 2,5 X 20		2	
5	996 301 071 00	bleeder 17 X 12		1	
6	996 339 021 02	viscous clutch		1	
7	900 234 174 00	support washer 20 X 28 X 2,0		1	
8	999 041 021 01	circlip 20 X 1,2		1	
9	900 124 025 02	screw plug M 18 X 1,5 PM		1	
10	999 707 455 40	o-ring 123 X 3		1	
11	N 903 660 01	torx screw M 8 X 36		4	
13	N 903 660 01	torx screw M 8 X 36		8	
		- - - E N D - - -			

Model	Year	MG	SG	Illustration	Restrictions	Update	12:30	23.08.2006	PORSCHE	PET	PORSCHE
996	05	3	60	360-03		203					



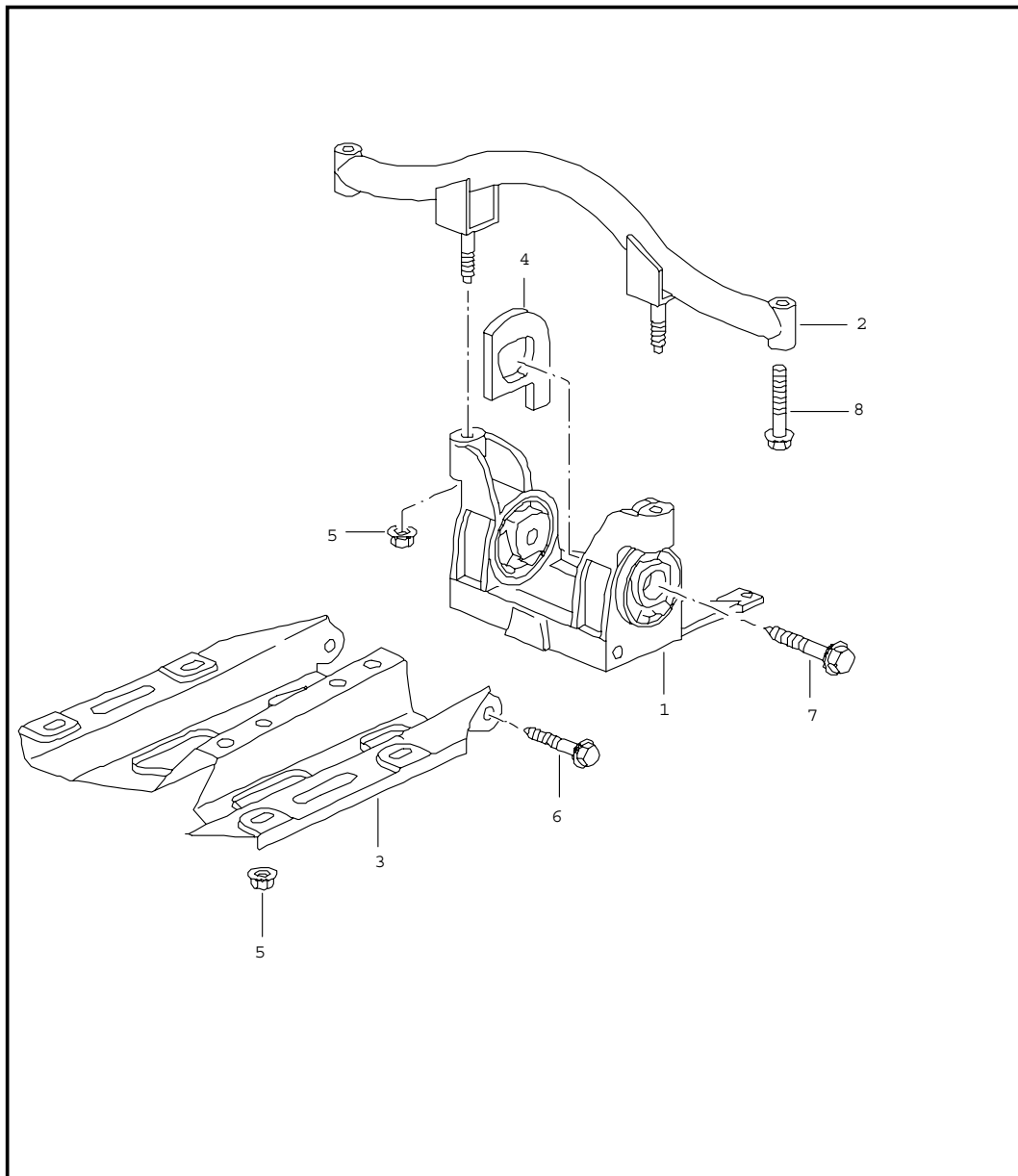
Pos	Part Number	Name	Remarks	Qty	Model
		tiptronic	02-		A96.10
		atf cooler	02-		M 338
		atf lines			A96.35
					M 339
1	722 270 009 5	atf cooler		1	
2	999 073 103 09	oval-head screw M 6 X 16		6	
3	026 997 234 8	sealing ring		1	
4	722 270 089 6	oil pipe 18,6 X 3,5		2	
5	722 270 079 6	oil pipe		1	
6	026 997 234 8	sealing ring		1	
-	996 307 711 10	water hose supply		1	
- - - E N D - - -					

Model	Year	MG	SG	Illustration	Restrictions	Update	12:31	23.08.2006	PORSCHE	PET	PORSCHE
996	05	3	70	370-00		203					



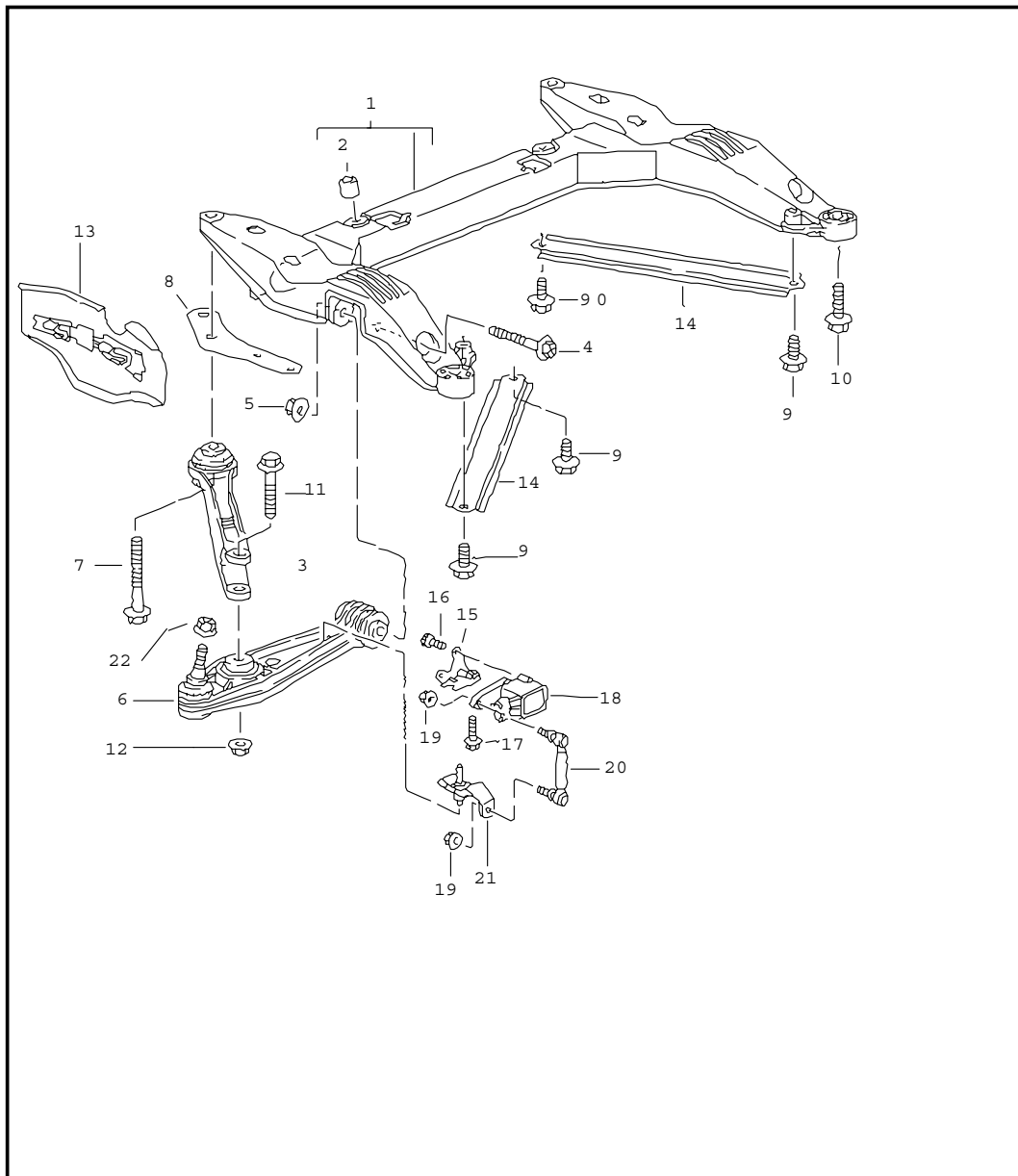
Pos	Part Number	Name	Remarks	Qty	Model
		tiptronic	-01		A96.00
		transmission suspension threaded joint engine	99-01		M 338 A96.30
1	996 375 039 02	transmission carrier	-00	1	
(1)	996 375 039 03	transmission carrier	01-	1	
2	996 375 031 08	transmission carrier		1	
3	996 375 255 05	stop		2	
3A	996 375 333 00	packing plate		2	
4	900 378 167 09	hexagon-head bolt M 10 X 110		2	
5	999 061 106 09	stud M 10 X 83		2	
6	900 380 008 09	hexagon nut M 10		2	
(6A)	999 076 053 09	hexagon nut M 10		6	
7	999 072 010 09	hexagon-head bolt M 12 X 1,5 X 100		2	
8	999 072 008 09	hexagon-head bolt M 12 X 1,5 X 70		3	
9	900 378 061 09	hexagon-head bolt M 12 X 1,5 X 50		1	
10	900 378 076 09	hexagon-head bolt M 10 X 50		1	
11	900 377 011 09	hexagon nut M 10		1	
- - - E N D - - -					

Model	Year	MG	SG	Illustration	Restrictions	Update	12:31	23.08.2006	PORSCHE	PET	PORSCHE
996	05	3	70	370-01		203					



Pos	Part Number	Name	Remarks	Qty	Model
		tiptronic	02-		A96.10
		transmission suspension and mount intermediate flange	02-		M 338
					A96.35
					M 339
1	996 375 033 03	transmission carrier		1	
2	996 375 317 06	bracket upper		1	
3	996 375 015 00	side member		1	
4	996 375 259 07	stop		2	
5	900 378 167 09	hexagon-head bolt M 10 X 110		2	
5	999 061 106 09	stud M 10 X 83		2	
6	900 380 008 09	hexagon nut M 10		2	
(6A)	999 076 053 09	hexagon nut M 10		6	
7	999 072 010 09	hexagon-head bolt M 12 X 1,5 X 100		2	
8	999 072 008 09	hexagon-head bolt M 12 X 1,5 X 70		3	
-	999 073 182 02	lens-head screw M 8 X 35		8	
		- - - E N D - - -			

Model	Year	MG	SG	Illustration	Restrictions	Update	12:31	23.08.2006	PORSCHE	PET	PORSCHE
996	05	4	01	401-00		203					



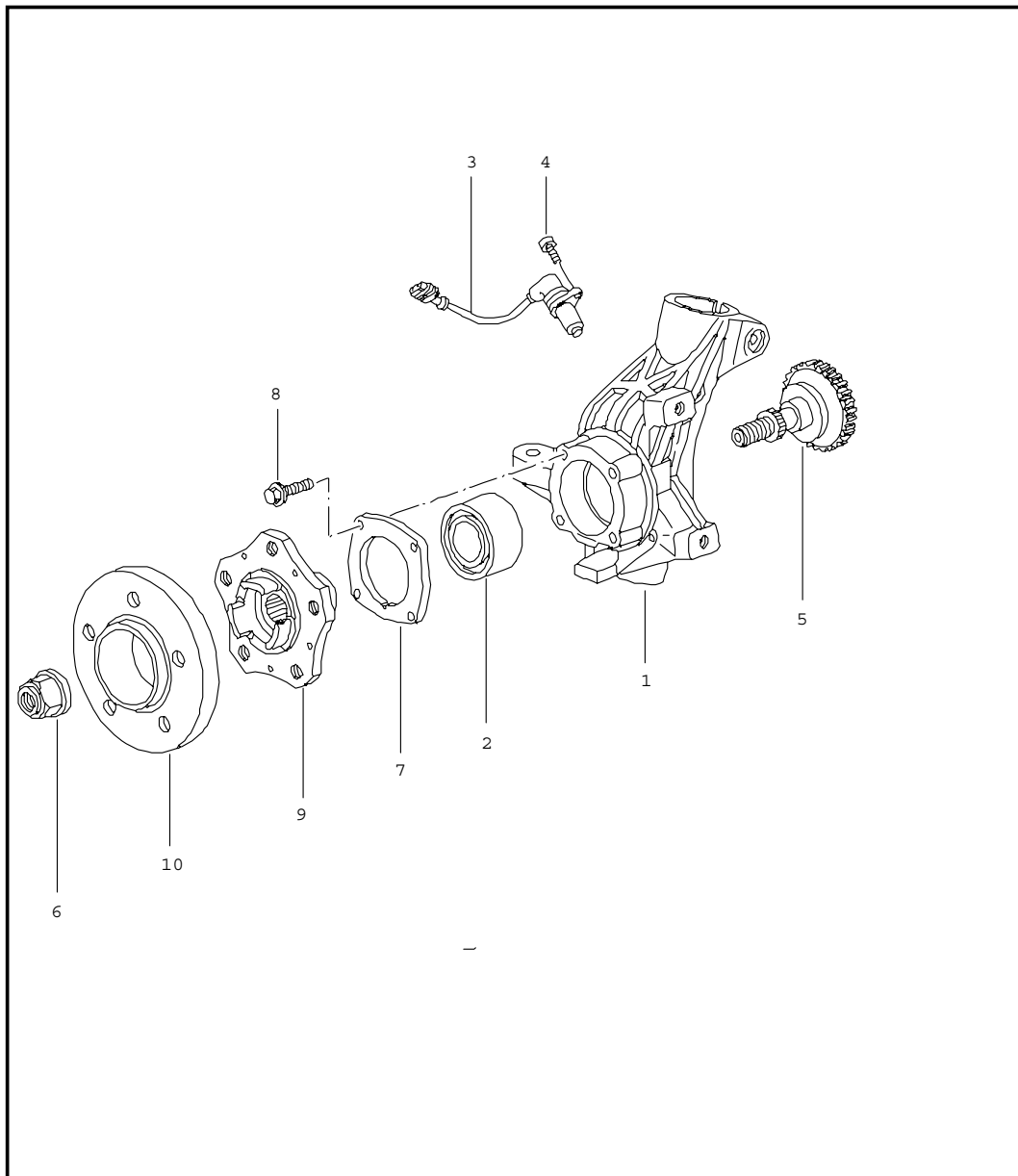
Pos	Part Number	Name	Remarks	Qty	Model
		cross member control arm			
1	996 341 081 05	cross member F >>99WS6 06191 F >>99WS6 40419		1	
(1)	996 341 081 10	cross member F 99WS6 06192>> F 99WS6 40420>>		1	
(1)	996 341 081 10	cross member	99- -01	1 1	
(1) A	996 341 081 12	cross member	02-	1	
(1)	996 341 081 14	cross member	02-	1	
2	900 197 004 00	roll pin 13 X 14		1	
3	996 341 043 03	control arm		2	
4	900 378 165 09	hexagon-head bolt M 12 X 1,5 X 95		2	
5	999 084 445 09	hexagon nut M 12 X 1,5		2	
6 A	996 341 053 07	control arm	-03	2	
(6)	996 341 053 16	control arm	04	2	
(6)	996 341 053 17	control arm	05-	2	
(6)	996 341 941 01	control arm adjustable with eccentric screw eccentric washer and hexagon nut		X	
7	900 378 146 09	hexagon-head bolt M 14 X 1,5 X 110		2	
8	996 341 145 06	plate		2	
9	900 378 094 09	hexagon-head bolt M 12 X 1,5 X 25		4	
10	900 378 145 09	hexagon-head bolt M 14 X 1,5 X 45 F >>99WS6 06191 F >>99WS6 40419		2	

Model	Year	MG	SG	Illustration	Restrictions	Update	12:31	23.08.2006	PORSCHE	PET	PORSCHE
996	05	4	01	401-00		203					

Pos	Part Number	Name	Remarks	Qty	Model	Pos	Part Number	Name	Remarks	Qty	Model
(10)	900 378 192 09	hexagon-head bolt M 14 X 1,5 X 50 F 99WS6 06192>> F 99WS6 40420>>	-01 02-	2 4							
11	900 378 135 09	hexagon-head bolt M 14 X 1,5 X 73		2 2							
12	900 380 012 09	hexagon nut M 14 X 1,5		2							
13	996 341 483 01	spoiler	/L	1							
(13)	996 341 483 02	spoiler	/L 99-	1	M 339						
(13)	996 341 483 02	spoiler	/L 04	1	M 095/338						
(13)	996 341 483 05	spoiler F 995S6 40616>> F 995S6 00441>>	/L 05-	1	M 339						
(13)	996 341 484 01	spoiler	/R	1							
(13)	996 341 484 02	spoiler	/R 99-	1	M 339						
(13)	996 341 484 02	spoiler	/R 04	1	M 095/338						
(13)	996 341 484 05	spoiler F 995S6 40616>> F 995S6 00441>>	/R 05-	1	M 339 M 339						
14	996 504 433 00	strut		2							
15	996 341 511 01	support	99	1	M 601						
(15)	996 341 511 02	support	00-	1	M 601						
16	N 014 129 12	oval-head screw M 5 X 10		2	M 601						
17	900 378 177 09	hexagon-head bolt M 6 X 30		1	M 601						
18	996 631 121 00	sensor	99-	1	M 601						
19	900 380 015 09	hexagon nut VM 6		2							
20	996 341 375 01	strut	99-	1	M 601						
21	996 341 371 03	support	99-	1	M 601						
22	999 084 449 09	hexagon nut M 12 X 1,5		2							
- - - E N D - - -											



Model	Year	MG	SG	Illustration	Restrictions	Update	12:31	23.08.2006	PORSCHE	PET	PORSCHE
996	05	4	01	401-05		203					

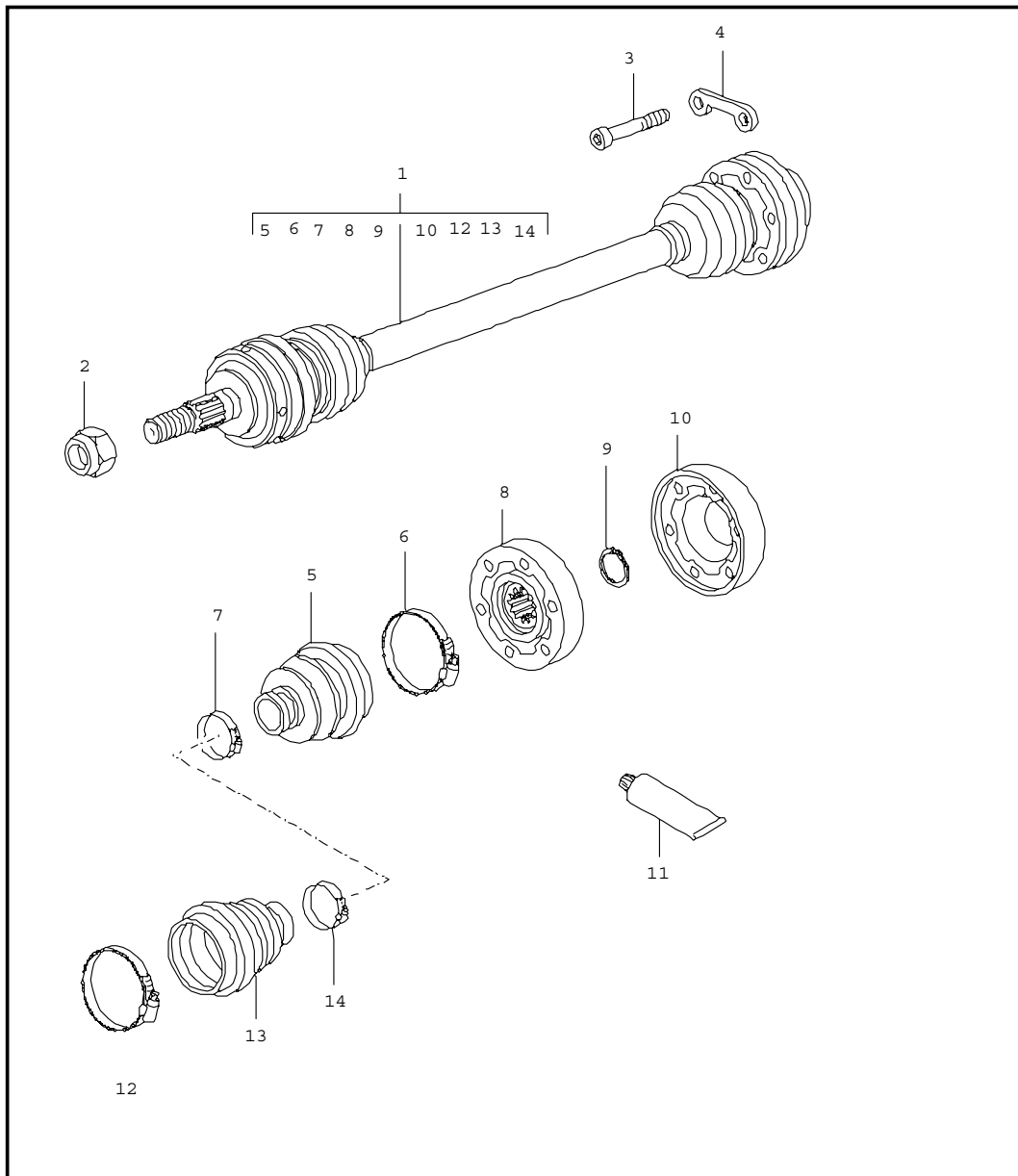


Pos	Part Number	Name	Remarks	Qty	Model
		wheel carrier wheel hub			
1	A 996 341 157 09	wheel carrier	/L	1	M 338
(1)	A 996 341 157 11	wheel carrier	/L	1	M 338
(1)	A 996 341 957 11	wheel carrier	/L -01	1	M 338
(1)	996 341 957 12	wheel carrier	/L	1	M 338
(1)	A 996 341 158 09	wheel carrier	/R	1	M 338
(1)	A 996 341 158 11	wheel carrier	/R	1	M 338
(1)	A 996 341 958 11	wheel carrier	/R -01	1	M 338
(1)	996 341 958 12	wheel carrier	/R	1	M 338
(1)	996 341 155 04	wheel carrier	/L 99-	1	M 339
(1)	996 341 156 04	wheel carrier	/R 99-	1	M 339
(1)	996 341 165 06	wheel carrier	/L 02-	1	C 4-S
(1)	996 341 166 06	wheel carrier	/R 02-	1	C 4-S
2	999 053 041 02	angular-contact bearing	-00	2	
(2)	999 053 041 03	angular-contact bearing	01-	2	
(2)	999 053 042 07	angular-contact bearing	02	2	C 4-S
(2)	999 053 054 05	angular-contact bearing	03-	2	C 4-S
3	996 606 406 00	speed sensor	-01	2	
(3)	996 606 406 00	speed sensor	01	2	M 476
(3)	996 606 407 02	speed sensor	02-	2	
(3)	996 606 406 00	speed sensor	02-	2	M 476
4	900 067 117 09	hexagon-head bolt M 6 X 16		2	
5	996 341 131 01	tension bolt		2	M 338
6	999 084 634 09	hexagon nut M 22 X 1,5		2	
7	964 341 661 01	cover		2	
7	986 331 661 20	cover	02-	2	C 4-S
8	999 217 042 09	hexagon-head bolt M 8 X 35		8	

Model	Year	MG	SG	Illustration	Restrictions	Update	12:31	23.08.2006	PORSCHE	PET	PORSCHE
996	05	4	01	401-05		203					

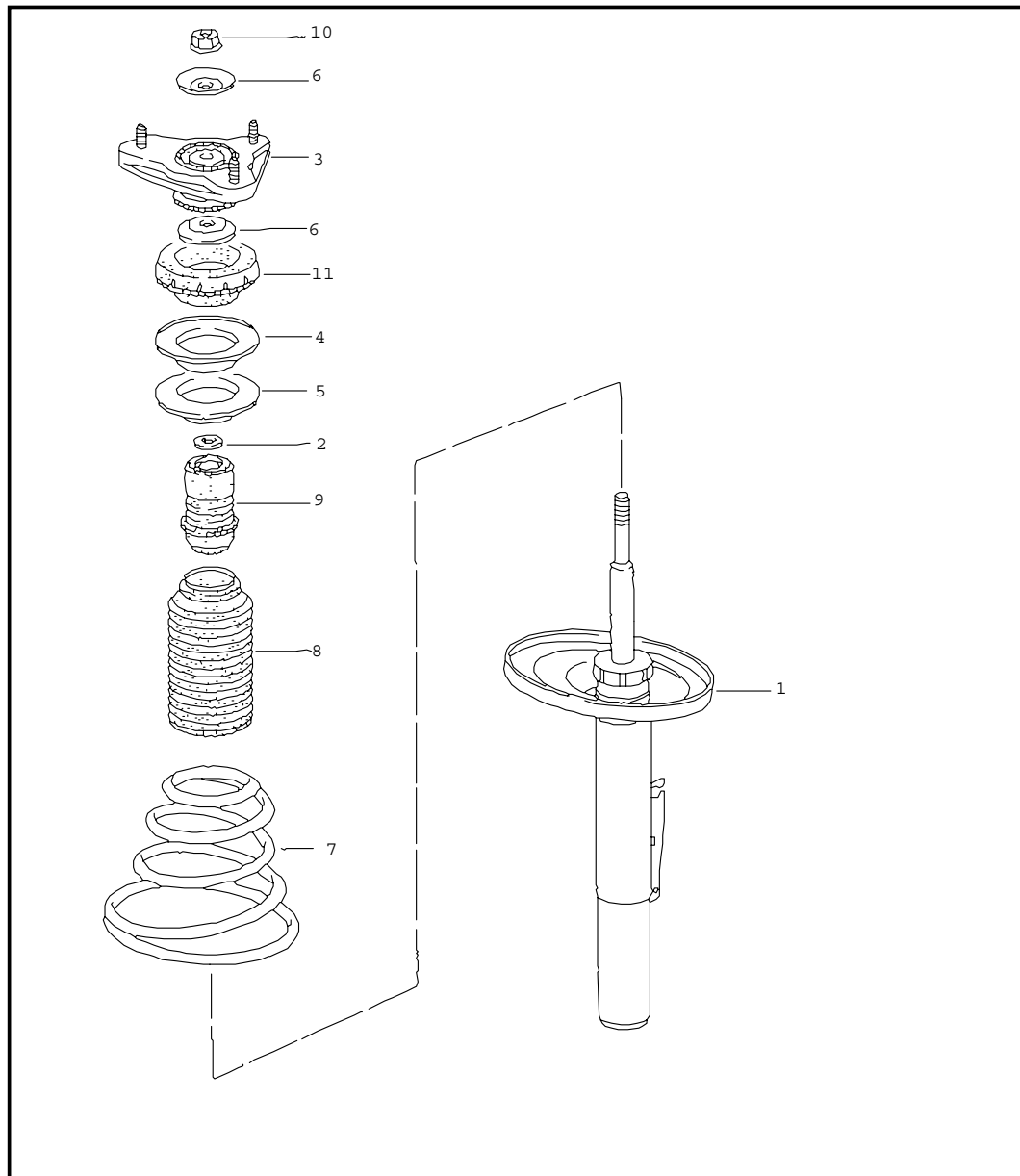
Pos	Part Number	Name	Remarks	Qty	Model	Pos	Part Number	Name	Remarks	Qty	Model
9	996 341 605 54	wheel hub		2							
(9)	986 331 605 20	wheel hub	02-	2	C 4-S						
10	996 361 605 90	spacer ring 5 MM without wheel bolt	01-	2	XRP						
		- - - E N D - - -									

Model	Year	MG	SG	Illustration	Restrictions	Update	12:32	23.08.2006	PORSCHE	PET	PORSCHE
996	05	4	01	401-10		203					



Pos	Part Number	Name	Remarks	Qty	Model
		drive shaft			M 339
1	996 349 038 01	drive shaft	-99	2	
(1)	996 349 038 10	drive shaft	00-	2	
2	999 084 641 02	hexagon nut M 22 X 1,5		2	
(2)	999 084 641 02	lock nut M 22 X 1,5		2	
3	900 067 211 09	lock nut M 8 X 50		12	
4	A 996 349 191 00	plate		6	
(4)	996 349 191 01	plate		6	
5	996 349 293 00	dust bellows		2	
-	911 332 259 01	support		2	
6	996 349 257 02	clip		2	
7	996 349 257 03	clip		2	
8	996 349 030 00	joint		2	
9	900 041 011 01	circlip		2	
10	996 349 267 00	cover		2	
11	000 043 110 01	grease for drive shaft 1 tube 100 g		X	
(11)	000 043 205 36	sealing compound drive shaft 1 tube 100 g		X	
12	996 349 257 00	clip		2	
13	996 349 291 00	dust bellows		2	
14	996 349 257 01	clip		2	
- - - E N D - - -					

Model	Year	MG	SG	Illustration	Restrictions	Update	12:32	23.08.2006	PORSCHE	PET	PORSCHE
996	05	4	02	402-00		203					

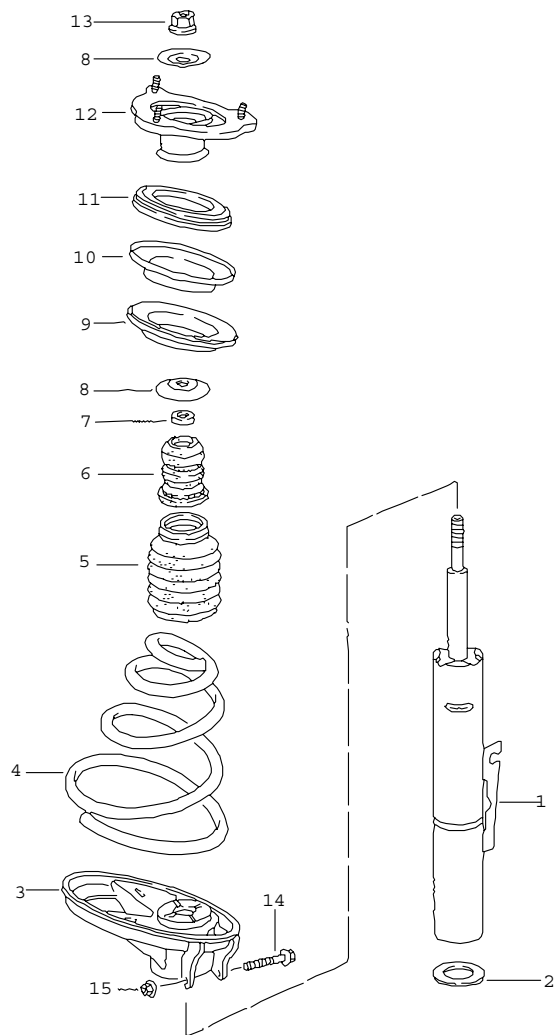


Pos	Part Number	Name	Remarks	Qty	Model
		springs shock absorber strut			M 338
1	996 343 041 04	shock absorber - bilstein -	-01	2	
(1)	996 343 041 20	shock absorber - bilstein -	02	2	
(1)	996 343 041 23	shock absorber - bilstein -	03-	2	
(1)	996 343 041 16	shock absorber - bilstein -	-01	2	M 030
(1)	996 343 041 18	shock absorber - bilstein -	02	2	M 030
(1)	996 343 041 21	shock absorber - bilstein -	03-	2	M 030
(1)	996 343 980 06	shock absorber	-01	2	X74
(1)	996 343 980 20	shock absorber	02-	2	X74
		mount shock absorber			
-	999 084 445 09	hexagon nut M 12 X 1,5		2	
2	996 343 513 00	cone washer		2	
3	996 343 018 04	supporting mount	-03	2	
(3)	997 343 018 00	supporting mount	04-	2	
(3)	996 343 980 08	supporting mount	-01	2	X74
(3)	996 343 980 08	supporting mount	02-	2	X74
-	999 084 447 09	hexagon nut M 8		6	
-	999 703 429 40	cover		2	
4	996 343 517 01	support ring		2	
5	996 343 511 00	compensating plate 3,0 MM		X	
(5)	996 343 511 01	compensating plate 6,5 MM		X	
6	996 343 107 02	stop plate	-99	4	
(6)	996 343 107 03	stop plate	00-	4	

Model	Year	MG	SG	Illustration	Restrictions	Update	12:32	23.08.2006	PORSCHE	PET	PORSCHE
996	05	4	02	402-00		203					

Pos	Part Number	Name	Remarks	Qty	Model	Pos	Part Number	Name	Remarks	Qty	Model
7	996 343 531 01	coil spring 1 set	-01	1	COUPE	(7)	996 343 980 07	coil spring 1 set	-01	1	X74
	504	marked blue yellow					504	marked red lilac creamy white			
(7)	996 343 531 15	coil spring 1 set	02-	1	COUPE	(7)	996 343 980 07	coil spring 1 set	02-	1	X74
	504	marked brown white					504	marked red lilac creamy white F >>992S6 03565			
(7)	996 343 531 02	coil spring 1 set	-01	1	CABRIO	(7)	996 343 980 25	coil spring 1 set		1	X74
	504	marked brown red					504	marked red lilac creamy white F 992S6 03566>>			
(7)	996 343 531 16	coil spring 1 set	02- 02-	1 1	CABRIO TARGA	8	996 343 505 00	bellows		2	
	504	marked brown red				9	996 343 301 02	additional spring		2	
(7)	996 343 531 11	coil spring 1 set	-01	1	M 030 COUPE	(9)	996 343 980 09	additional spring	-01	2	X74
	504	marked green white				9	996 343 980 09	additional spring	02-	2	X74
(7)	996 343 531 19	coil spring 1 set	02-	1	M 030 COUPE	10	900 380 012 09	hexagon nut M 14 X 1,5		2	
	504	marked green white				11 A	996 343 515 04	deep-groove ball bearing with housing		2	
(7)	996 343 531 12	coil spring 1 set	-01	1	M 030 CABRIO	(11)	996 343 515 05	bearing with housing		2	
	504	marked green red						- - - E N D - - -			
(7)	996 343 531 20	coil spring 1 set	02- 02-	1 1	M 030 CABRIO M 030 TARGA						
	504	marked green red									

Model	Year	MG	SG	Illustration	Restrictions	Update	12:32	23.08.2006	PORSCHE	PET	PORSCHE
996	05	4	02	402-01		203					



Pos	Part Number	Name	Remarks	Qty	Model
		springs shock absorber strut	99-		M 339
1	996 343 043 02	shock absorber	-01	2	
(1)	996 343 043 22	shock absorber	02-	2	
(1)	996 343 043 13	shock absorber	-01	2	M 030
(1)	996 343 043 23	shock absorber	02-	2	M 030
(1)	996 343 043 26	shock absorber	02-	2	C 4-S COUPE
(1)	996 343 043 29	shock absorber	04-	2	C 4-S CABRIO
(1)	996 343 980 12	shock absorber	-01	2	X74
(1)	996 343 980 21	shock absorber	02-	2	X74
(1)	996 343 980 34	shock absorber	03-	2	X73 C 4-S COUPE
-	900 378 138 09	hexagon-head bolt M 12 X 1,5 X 70		2	
-	999 084 445 09	hexagon nut M 12 X 1,5		2	
2	996 343 521 01	concave washer		2	
3	996 343 507 02	concave washer	/L	1	
(3)	996 343 508 02	concave washer	/R	1	
4	996 343 533 04	coil spring 1 set	-01	1	COUPE
	504	marked violet silver			
(4)	996 343 533 20	coil spring 1 set	02-	1	COUPE
	504	marked violet silver			
(4)	996 343 533 05	coil spring 1 set	-01	1	CABRIO
	504	marked violet orange			

Model	Year	MG	SG	Illustration	Restrictions	Update	12:32	23.08.2006	PORSCHE	PET	PORSCHE
996	05	4	02	402-01		203					

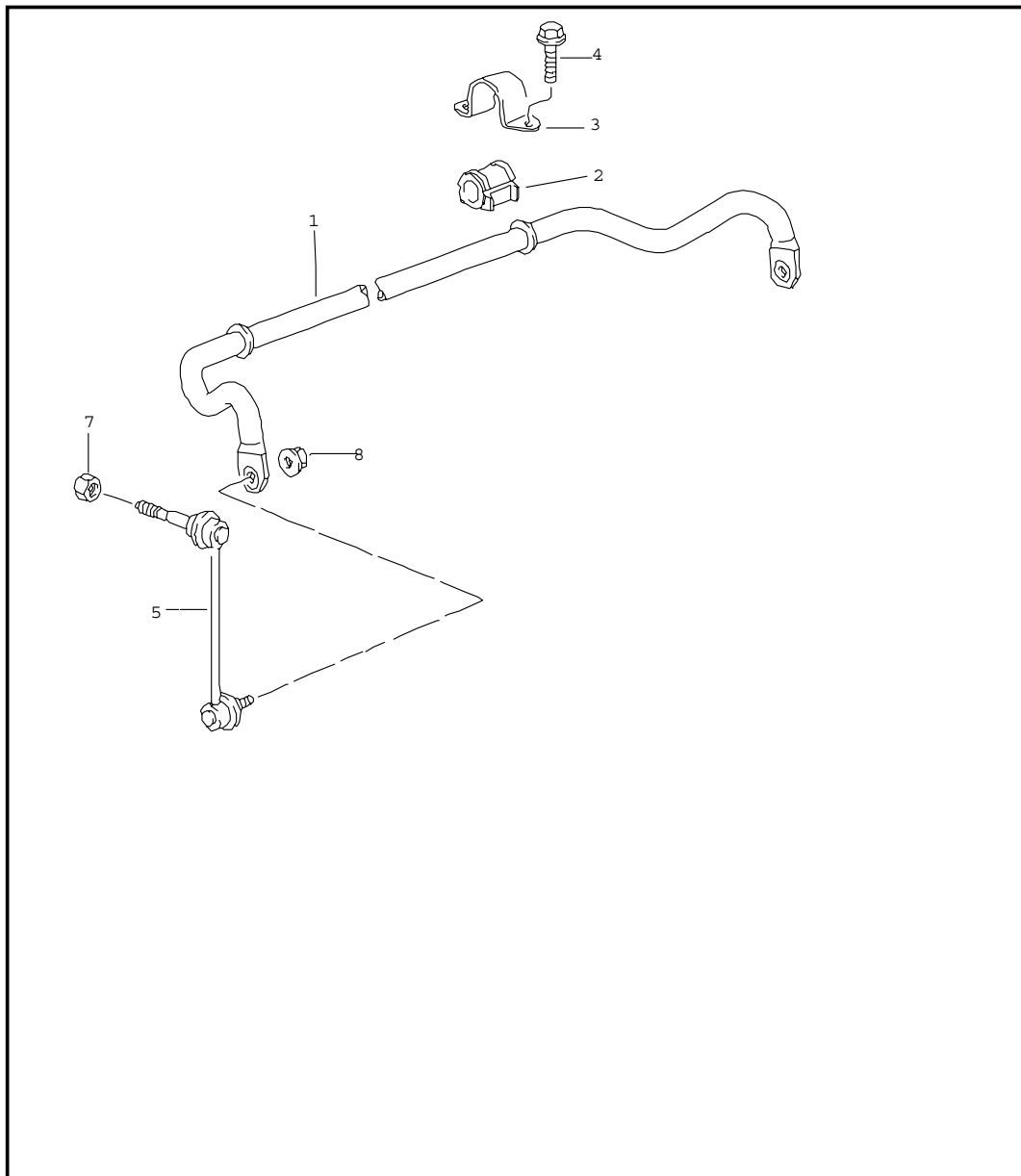
Pos	Part Number	Name	Remarks	Qty	Model	Pos	Part Number	Name	Remarks	Qty	Model
(4)	996 343 533 21	coil spring 1 set	02-	1	CABRIO	(4)	996 343 980 26	coil spring 1 set		1	X74
	504	marked violet orange					504	marked pale orange creamy white F 992S6 03566>>			
(4)	996 343 533 14	coil spring 1 set	-01	1	COUPE M 030	(4)	996 343 980 27	coil spring 1 set	03-	1	X73 C 4-S
	504	marked lilac silver					504	marked blue silver			COUPE
(4)	996 343 533 24	coil spring 1 set	02-	1	COUPE M 030	5	996 343 509 01	bellows		2	
	504	marked lilac silver				6	996 343 301 02	additional spring		2	
(4)	996 343 533 15	coil spring 1 set	-01	1	CABRIO M 030	(6)	996 343 980 09	additional spring	-01	2	X74
	504	marked lilac orange				(6)	996 343 980 09	additional spring	02-	2	X74
(4)	996 343 533 25	coil spring 1 set	02-	1	CABRIO M 030	(6)	996 343 980 09	additional spring	03-	2	X73 C 4-S COUPE
	504	marked lilac orange				7	996 343 513 00	cone washer		2	
(4)	996 343 533 30	coil spring 1 set	02-	1	C 4-S	8	996 343 107 02	stop plate	-99	2	
	504	marked lilac orange				(8)	996 343 107 03	stop plate	00-	2	
(4)	996 343 533 13	coil spring 1 set	-01	1	X74	9	996 343 525 00	base 3,0 MM		X	
	504	marked pink blue				(9)	996 343 525 01	base 6,5 MM		X	
(4)	996 343 980 13	coil spring 1 set	02-	1	X74	10	996 343 523 00	support ring		1	
	504	marked pale orange creamy white				11	996 343 501 00	angular-contact bearing		1	
(4)	996 343 980 13	coil spring 1 set	02-	1	X74	12	996 343 015 04	supporting mount	/L	1	
	504	marked pale orange creamy white F >>992S6 03565				(12)	996 343 980 15	supporting mount	/L -01	1	X74
						(12)	996 343 980 15	supporting mount	/L 02-	1	X74
						(12)	996 343 980 15	supporting mount	/L 03-	1	X73 C 4-S COUPE
						(12)	996 343 016 04	supporting mount	/R	1	
						(12)	996 343 980 16	supporting mount	/R -01	1	X74
						(12)	996 343 980 16	supporting mount	/R 02-	1	X74

Model	Year	MG	SG	Illustration	Restrictions	Update	12:32	23.08.2006	PORSCHE	PET	PORSCHE
996	05	4	02	402-01		203					

Pos	Part Number	Name	Remarks	Qty	Model	Pos	Part Number	Name	Remarks	Qty	Model
(12)	996 343 980 16	supporting mount	/R 03-	1	X73 C 4-S COUPE						
-	999 084 447 09	hexagon nut M 8		6							
13	900 380 012 09	hexagon nut M 14 X 1,5		2							
14	900 378 191 09	hexagon-head bolt M 6 X 55		2							
15	900 377 010 09	hexagon nut M 6		2							
		- - - E N D - - -									



Model	Year	MG	SG	Illustration	Restrictions	Update	12:32	23.08.2006	PORSCHE	PET	PORSCHE
996	05	4	02	402-05		203					

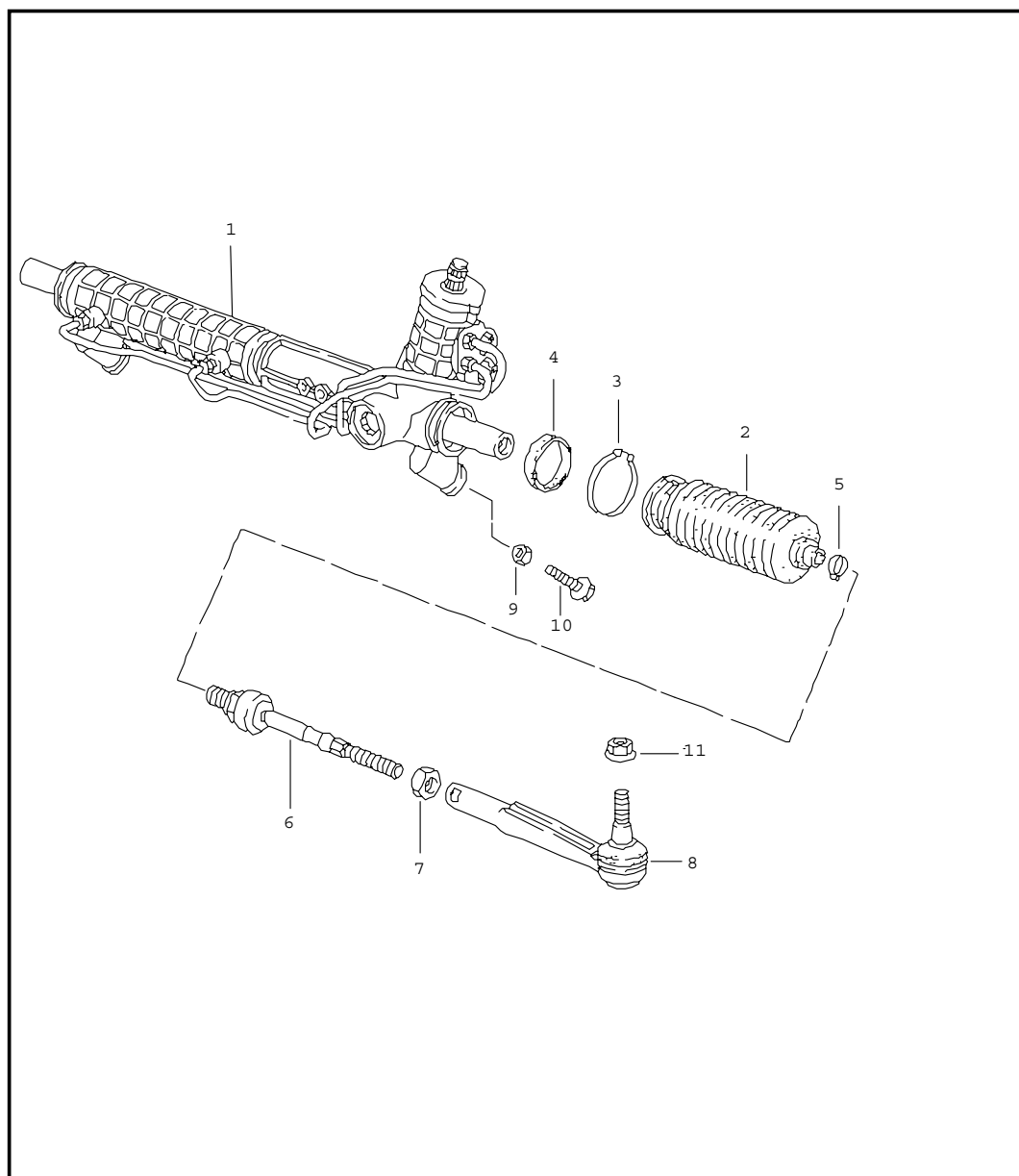


Pos	Part Number	Name	Remarks	Qty	Model
		stabiliser			
1	996 343 701 09	stabiliser		1	COUPE M 480
(1) A	996 343 701 04	stabiliser		1	COUPE M 249
				1	COUPE M 030
				1	CABRIO M 030
			99-	1	X74/338
(1)	996 343 701 21	stabiliser		1	COUPE M 249
				1	COUPE M 030
				1	CABRIO M 030
			99-	1	X74/338
(1)	996 343 701 04	stabiliser	02-	1	TARGA M 480
(1)	996 343 701 20	stabiliser	02-	1	TARGA M 249
(1) A	996 343 701 10	stabiliser	02-	1	TARGA M 030
(1)	996 343 701 23	stabiliser	02-	1	TARGA M 030
(1)	996 343 703 00	stabiliser	99-	1	M 339
(1)	996 343 703 02	stabiliser	99- 00- 02-	1 1 1	M 030/339 X74/339 C 4-S
2	996 343 792 14	stabiliser mounting		2	COUPE M 480
(2)	996 343 792 12	stabiliser mounting		2	COUPE M 249
				2	COUPE M 030
				2	CABRIO M 030
(2)	996 343 792 11	stabiliser mounting	99-	2	M 339
(2)	996 343 792 12	stabiliser mounting	99- 02- 02-	2 2 2	M 030/339 C 4-S TARGA M 480

Model	Year	MG	SG	Illustration	Restrictions	Update	12:32	23.08.2006	PORSCHE	PET	PORSCHE
996	05	4	02	402-05		203					

Pos	Part Number	Name	Remarks	Qty	Model	Pos	Part Number	Name	Remarks	Qty	Model
(2)	996 343 792 17	stabiliser mounting	02-	2	TARGA M 249						
			02-	2	TARGA M 030						
3	996 343 777 01	clip		2							
4	900 378 070 09	hexagon-head bolt M 10 X 30		4							
5	996 343 069 02	stabiliser mounting	/L -99	1							
(5)	996 343 069 03	stabiliser mounting	/L 00-	1							
(5)	996 343 070 02	stabiliser mounting	/R -99	1							
(5)	996 343 070 03	stabiliser mounting	/R 00-	1							
(5)	996 343 073 03	stabiliser mounting	99-	2	M 339						
(5)	996 343 073 04	stabiliser mounting	00-	2	M 339						
7	999 084 445 09	hexagon nut M 12 X 1,5		2							
8	999 084 643 09	hexagon nut M10		2							
		- - - E N D - - -									

Model	Year	MG	SG	Illustration	Restrictions	Update	12:32	23.08.2006	PORSCHE	PET	PORSCHE
996	05	4	03	403-00		203					

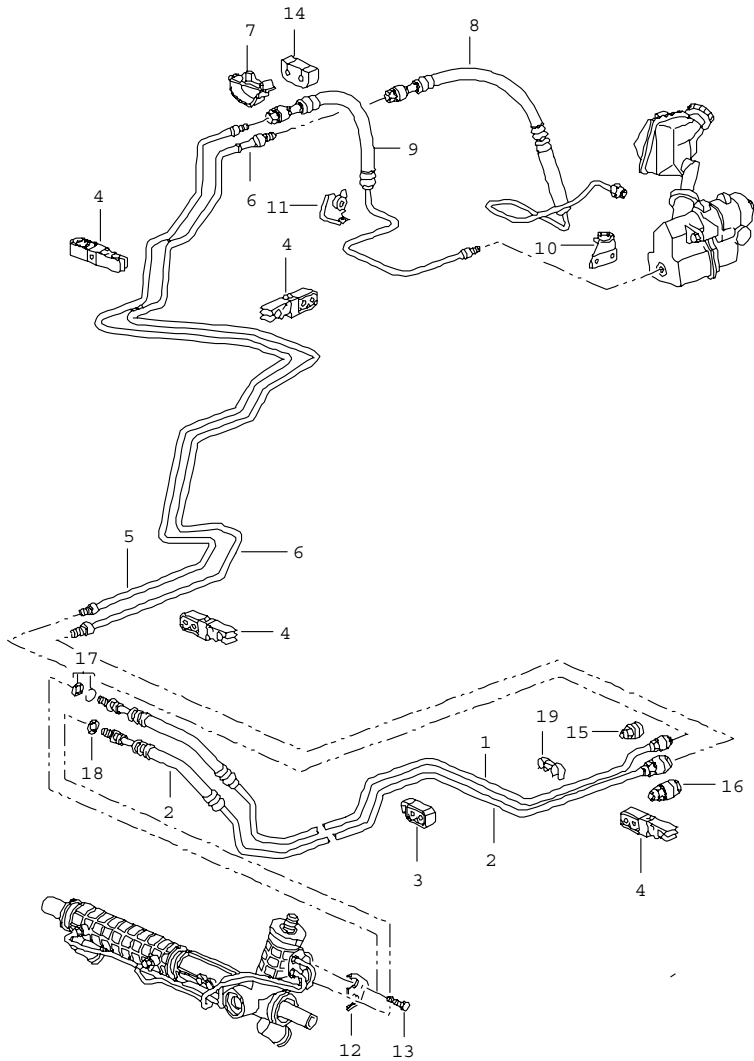


Pos	Part Number	Name	Remarks	Qty	Model
		power steering steering gear steering parts			
1	A 996 347 011 05	steering gear power steering	/LL	1	
(1)	A 996 347 011 06	steering gear power steering	/LL	1	
(1)	> 996 347 011 07	steering gear power steering	/LL	1	
(1)	A 996 347 012 05	steering gear power steering	/RL	1	
(1)	A 996 347 012 07	steering gear power steering	/RL	1	
(1)	> 996 347 012 08	steering gear power steering	/RL	1	
-	A 996 347 110 01	clip pinion steering gear	-03	1	
-	996 347 110 02	clip pinion steering gear	04-	1	
2	996 347 191 02	bellows for steering gear 996.347.011.05 996.347.012.05		2	
(2)	996 347 191 04	bellows for steering gear 996.347.011.06/07 996.347.012.07/08		2	
3	996 347 293 03	clamping ring for steering gear 996.347.011.05 996.347.012.05		2	
(3)	996 347 293 04	clamping ring for steering gear 996.347.011.06/07 996.347.012.07/08		2	

Model	Year	MG	SG	Illustration	Restrictions	Update	12:32	23.08.2006	PORSCHE	PET	PORSCHE
996	05	4	03	403-00		203					

Pos	Part Number	Name	Remarks	Qty	Model	Pos	Part Number	Name	Remarks	Qty	Model
4	996 347 373 00	sealing ring for steering gear 996.347.011.05 996.347.012.05		2							
(4)	996 347 373 00	sealing ring for steering gear 996.347.011.06/07 996.347.012.07/08		2							
5	999 512 645 09	clamping ring		2							
6	996 347 322 03	joint		2							
7	999 034 037 09	hexagon nut M 14 X 1,5		2							
8	996 347 131 03	track rod	-99	2							
(8)	996 347 131 04	track rod	00-	2							
9	-	see illustrations 4/01/00 POS.2									
10	900 378 100 09	hexagon-head bolt AM 10 X 45		2							
11	999 084 449 09	hexagon nut M 12 X 1,5		2							
		- - - E N D - - -									

Model	Year	MG	SG	Illustration	Restrictions	Update	12:33	23.08.2006	PORSCHE	PET	PORSCHE
996	05	4	03	403-01		203					



Pos	Part Number	Name	Remarks	Qty	Model
		power steering lines			
		F	>>994S6 30356		
		F	>>994S6 03928		
		F	>>994S6 42725		
1	996 347 451 08	pressure line	/LL -01	1	M 338
(1)	996 347 451 10	pressure line	/LL 02	1	M 338
(1)	996 347 451 10	pressure line	/LL 03-	1	M 338
(1)	996 347 451 27	pressure line	/LL -00	1	M 339
(1)	996 347 451 28	pressure line	/LL -01	1	M 339
(1) A	996 347 451 29	pressure line	/LL 02	1	M 339
(1)	996 347 451 32	pressure line	/LL 03-	1	M 339
(1)	996 347 452 04	pressure line	/RL -01	1	M 338
(1) A	996 347 452 07	pressure line	/RL 02	1	M 338
(1)	996 347 452 08	pressure line	/RL 03-	1	M 338
(1)	996 347 452 06	pressure line	/RL -01	1	M 339
(1) A	996 347 452 25	pressure line	/RL 02	1	M 339
(1)	996 347 452 27	pressure line	/RL 03-	1	M 339
2	996 347 449 06	return line	/LL -01	1	M 338
(2)	996 347 449 09	return line	/LL 02-	1	M 338
(2)	996 347 449 27	return line	/LL -01	1	M 339
(2)	996 347 449 30	return line	/LL 02	1	M 339
(2)	996 347 449 31	return line	/LL 03-	1	M 339
(2)	996 347 450 03	return line	/RL -01	1	M 338
(2)	996 347 450 06	return line	/RL 02-	1	M 338
(2)	996 347 450 05	return line	/RL -01	1	M 339
(2)	996 347 450 25	return line	/RL 02-	1	M 339
3	996 347 543 00	support		X	
(3)	996 347 553 00	support	/RL 02-	1	TARGA
4	996 355 543 00	support		1	

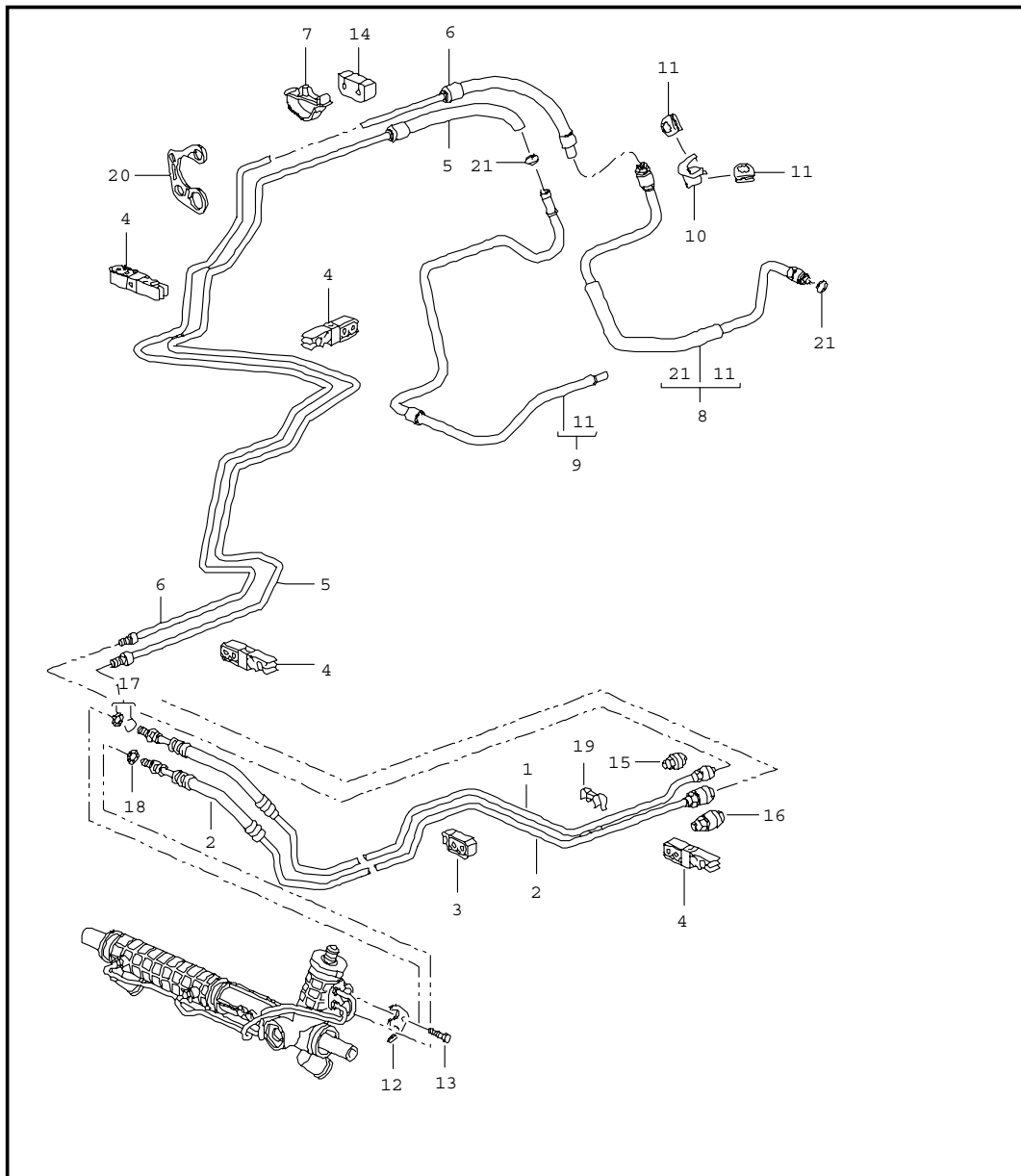
Model	Year	MG	SG	Illustration	Restrictions	Update	12:33	23.08.2006	PORSCHE	PET	PORSCHE
996	05	4	03	403-01		203					

Pos	Part Number	Name	Remarks	Qty	Model	Pos	Part Number	Name	Remarks	Qty	Model
-	996 347 674 00	support pressure line return line	/RL	1		(9)	996 347 441 03	return line rear	02-	1	
5	996 347 539 04	return line centre F >>99XS6 06898 F >>99XS6 44623		1		- A	999 230 540 10	threaded joint NW 10		1	
(5)	996 347 539 05	return line centre F 99XS6 06899>> F 99XS6 44624>>	-01	1		- A	999 230 539 10	threaded joint NW 6		1	
(5)	996 347 539 51	return line centre	02-	1		-	999 230 551 10	threaded joint NW 10		1	
6	996 347 545 04	pressure line centre F >>99XS6 06898 F >>99XS6 44623		1		-	999 230 552 10	threaded joint NW 6		1	
6	996 347 545 05	pressure line centre F 99XS6 06899>> F 99XS6 44624>>	-01	1		-	999 230 685 40	circlip for threaded joint		1	
(6)	996 347 545 52	pressure line centre	02-	1		10	996 347 747 02	support	-01	1	
7	996 347 549 01	support		2		(10)	996 347 747 04	support	02-	1	
8	996 347 443 02	pressure line rear	-01	1		11	996 347 749 03	support	-01	1	
-	999 707 429 40	sealing ring pressure line		X		(11)	996 347 749 04	support	02-	1	
(8)	996 347 443 05	pressure line rear F >>992S6 08512 F >>992S6 31981 F >>992S6 45199		1		12	996 347 769 01	support		1	
-	999 707 503 40	sealing ring pressure line		1		13	900 067 063 02	pan-head screw M 10 X 20		1	
(8)	996 347 443 06	pressure line rear F 992S6 08513>> F 992S6 31982>> F 992S6 45200>>		1		14	996 347 551 01	retainer plate		1	
-	999 707 503 40	sealing ring pressure line		1				mount pressure line return line power steering			
(8)	996 347 443 06	pressure line rear F 992S6 08513>> F 992S6 31982>> F 992S6 45200>>		1		-	996 347 671 01	support left	/RL	1	
-	999 707 503 40	sealing ring pressure line		1		-	996 347 672 01	support right	/RL	1	
(8)	996 347 443 06	pressure line rear F 992S6 08513>> F 992S6 31982>> F 992S6 45200>>		1		-	996 347 771 02	support left	/RL 02-	1	C 4-S
-	999 707 503 40	sealing ring pressure line		1		-	996 347 672 02	support right	/RL 02-	1	C 4-S
9	996 347 441 02	return line rear	-01	1		-	997 347 544 00	support lines mount bracket		1	
						15	999 230 539 10	threaded joint		1	

Model	Year	MG	SG	Illustration	Restrictions	Update	12:33	23.08.2006	PORSCHE	PET	PORSCHE
996	05	4	03	403-01		203					

Pos	Part Number	Name	Remarks	Qty	Model	Pos	Part Number	Name	Remarks	Qty	Model
16	999 230 540 10	threaded joint		1							
17	999 230 543 40	repair kit gaskets		1							
18	999 230 542 40	o-ring		1							
19	999 507 575 40	support 9,0/13,0		1							
		- - - E N D - - -									

Model	Year	MG	SG	Illustration	Restrictions	Update	12:33	23.08.2006	PORSCHE	PET	PORSCHE
996	05	4	03	403-02		203					



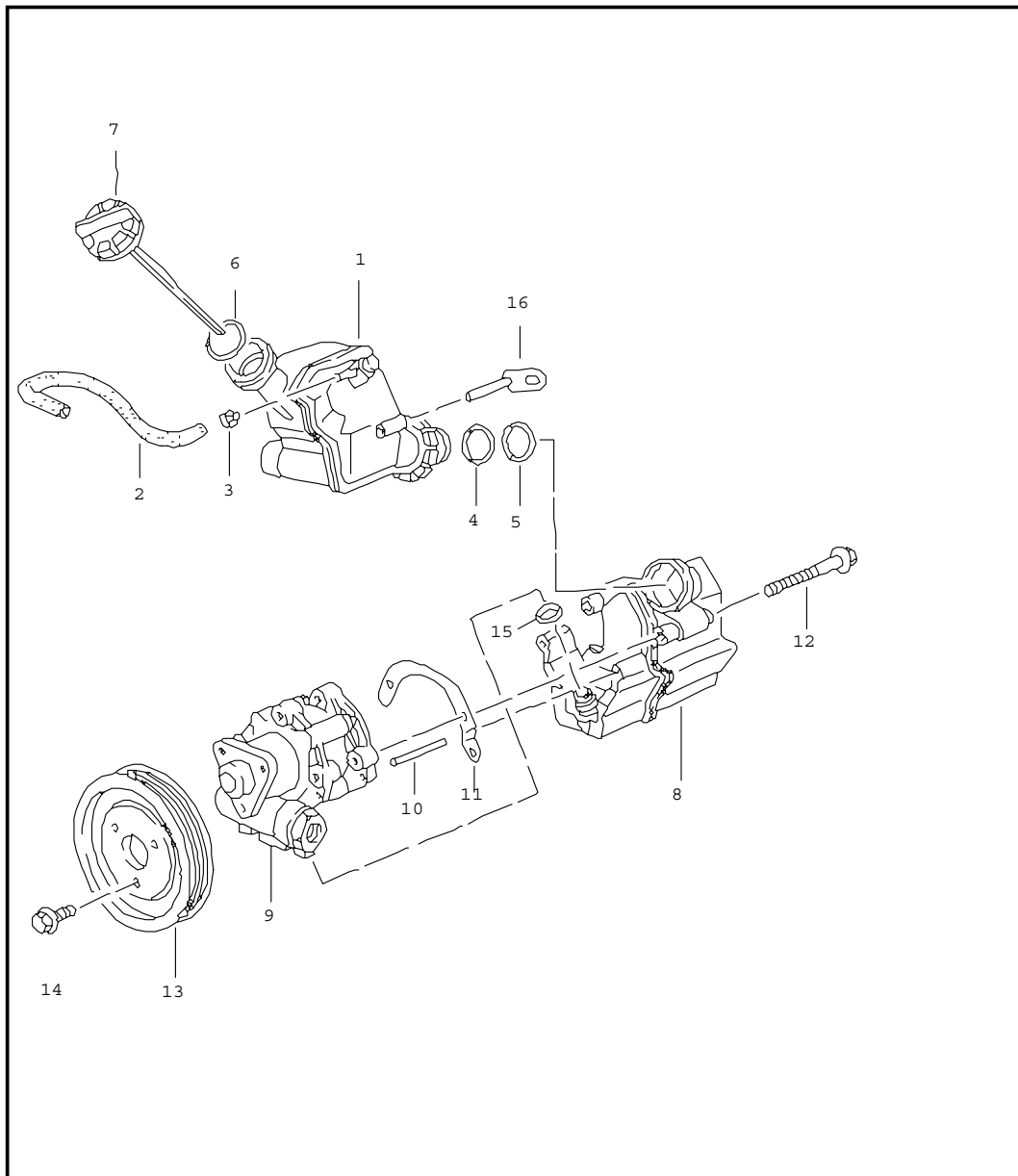
Pos	Part Number	Name	Remarks	Qty	Model
		power steering lines F 99486 30357>> F 99486 03929>> F 99486 42726>>			
(1)	996 347 451 10	pressure line	/LL	1	M 338
(1)	996 347 451 32	pressure line	/LL	1	M 339
(1)	996 347 452 08	pressure line	/RL	1	M 338
(1)	996 347 452 27	pressure line	/RL	1	M 339
(2)	996 347 449 09	return line	/LL	1	M 338
(2)	996 347 449 31	return line	/LL	1	M 339
(2)	996 347 450 06	return line	/RL	1	M 338
(2)	996 347 450 25	return line	/RL	1	M 339
3	996 347 543 00	support		X	
(3)	996 347 553 00	support	/RL	1	TARGA
4	996 355 543 00	support		1	
-	996 347 674 00	support pressure line return line	/RL	1	
(5)	996 347 439 26	return line centre		1	
(6)	996 347 445 26	pressure line centre	<	1	
-	999 230 578 40	circlip for threaded joint return line		X	
7	996 347 549 01	support pressure line		2	
(8)	996 347 443 25	pressure line rear		1	
-	999 707 503 40	sealing ring pressure line		1	
(9)	996 347 441 25	return line rear		1	
-	999 230 683 40	circlip for threaded joint		1	



Model	Year	MG	SG	Illustration	Restrictions	Update	12:33	23.08.2006	PORSCHE	PET	PORSCHE
996	05	4	03	403-02		203					

Pos	Part Number	Name	Remarks	Qty	Model	Pos	Part Number	Name	Remarks	Qty	Model
10	997 347 749 00	support		1							
11	999 702 210 40	support		1							
12	996 347 769 01	support		1							
13	900 067 063 02	pan-head screw M 10 X 20		1							
14	996 347 551 01	retainer plate		1							
		mount pressure line return line power steering									
-	996 347 671 01	support left	/RL	1							
-	996 347 672 01	support right	/RL	1							
-	996 347 771 02	support left	/RL	1	C 4-S						
-	996 347 672 02	support right	/RL	1	C 4-S						
15	999 230 539 10	threaded joint		1							
16	999 230 540 10	threaded joint		1							
17	999 230 543 40	repair kit gaskets		1							
18	999 230 542 40	o-ring		1							
19	999 507 091 40	support		1							
20	997 347 544 00	support		1							
21	999 512 639 09	clip		1							
		- - - E N D - - -									

Model	Year	MG	SG	Illustration	Restrictions	Update	12:33	23.08.2006	PORSCHE	PET	PORSCHE
996	05	4	03	403-03		203					

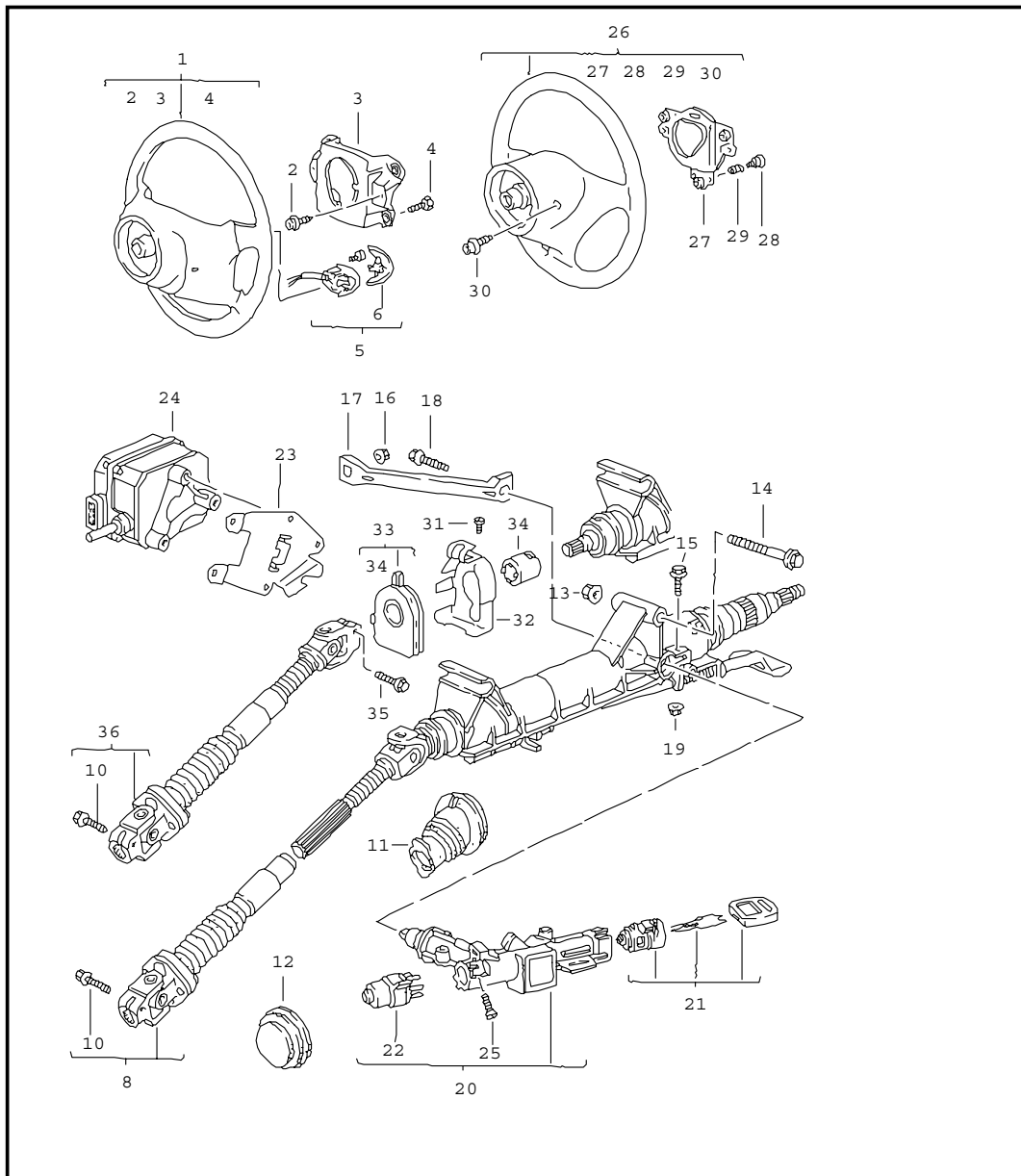


Pos	Part Number	Name	Remarks	Qty	Model
		power steering power-steering pump container			
1	996 314 225 02	expansion tank M >> 664 01953 M >> 684 00519		1	
(1)	997 314 225 00	expansion tank M 664 01954 >> M 684 00520 >>		1	
2 A	996 314 545 00	hose	98	1	
(2)	996 314 545 01	hose M >> 664 01953 M >> 684 00519	99-	1	
-	999 507 658 09	cable holder	99-	1	
3	999 512 527 00	terminal M >> 664 01953 M >> 684 00519		1	
4	999 707 362 40	o-ring		1	
5	999 707 363 40	o-ring		1	
6	999 701 154 40	o-ring		1	
7	996 314 223 01	cover M >> 664 01953 M >> 684 00519		1	
(1)	997 314 223 00	cover M 664 01954 >> M 684 00520 >>		1	
8 A	996 314 220 02	container	-02	1	
(8)	996 314 220 03	container	03	1	
(8)	997 314 220 00	container	04-	1	
9	996 314 050 02	power-steering pump		1	
10	996 314 320 03	straight pin		2	
11	996 314 431 05	bracket		1	
12	900 378 105 09	hexagon-head bolt AM 8 X 70		2	
13	996 147 223 60	pulley	-99 -99	1 M 249 1 M 480/574	
(13)	996 147 223 53	pulley	-99	1 M 480/573	

Model	Year	MG	SG	Illustration	Restrictions	Update	12:33	23.08.2006	PORSCHE	PET	PORSCHE
996	05	4	03	403-03		203					

Pos	Part Number	Name	Remarks	Qty	Model	Pos	Part Number	Name	Remarks	Qty	Model
(13)	996 147 223 60	pulley	00-	1							
14	900 378 123 09	hexagon-head bolt M 8 X 12		3							
15	999 707 204 40	sealing ring 12.5 X 2N		1							
16	996 314 551 00	bracket for container		1							
-	000 043 203 33	pentosin 1000 ML		X							
		- - - E N D - - -									

Model	Year	MG	SG	Illustration	Restrictions	Update	12:33	23.08.2006	PORSCHE	PET	PORSCHE
996	05	4	03	403-05		203					



Pos	Part Number	Name	Remarks	Qty	Model
		steering outer tube			
		steering shaft			
		steering wheels			
1	993 347 804 55	steering wheel	98	1	M 480
		8YR black	-00		
(1)	993 347 804 56	steering wheel	99-01	1	M 480
1	993 347 804 55	steering wheel	98	1	M 480
		B50 space grey			
		C50 graphite grey	-00		
		G10 metropole blue	-00		
		S30 savanna	-00		
(1)	993 347 804 56	steering wheel	99-01	1	M 480
		A28 black	01		
		B50 space grey			
		C60 graphite grey	01		
		G30 metropole blue	01		
		S40 savanna	01		
		J40 nephrite green	01		
(1)	993 347 981 01	steering wheel	-01	1	M 480/X26
		8YR black	-00		
		A28 black	01		
		B50 space grey	-00		
		C50 graphite grey	-00		
		C60 graphite grey	01		
		G10 metropole blue	-00		
		G30 metropole blue	01		
		S30 savanna	-00		
		S40 savanna	01		
		J30 nephrite green	-00		
		J40 nephrite green	01		

Model	Year	MG	SG	Illustration	Restrictions	Update	12:33	23.08.2006	PORSCHE	PET	PORSCHE
996	05	4	03	403-05		203					

Pos	Part Number	Name	Remarks	Qty	Model	Pos	Part Number	Name	Remarks	Qty	Model
	M30	boxster red	-00				G30	metropole blue	01		
	M40	boxster red	01				S30	savanna	-00		
	P20	cinnamon brown	01				S40	savanna	01		
	D11	dark grey/natural	00-01				J30	nephrite green	-00		
	T11	brown/natural	00-01				J40	nephrite green	01		
(1)	996 347 981 01	steering wheel	-01	1	M 480/X28		M30	boxster red	-00		
	8YR	black	-00				M40	boxster red	01		
	A28	black	01				P20	cinnamon brown	01		
	B50	space grey	-00				D11	dark grey/natural	00-01		
	C50	graphite grey	-00				T11	brown/natural	00-01		
	C60	graphite grey	01			(1)	993 347 981 07	steering wheel	-01	1	M 480/X77
	G10	metropole blue	-00				8YR	black	-00		
	G30	metropole blue	01				A28	black	01		
	S30	savanna	-00				B50	space grey	-00		
	S40	savanna	01				C50	graphite grey	-00		
	J30	nephrite green	-00				C60	graphite grey	01		
	J40	nephrite green	01				G10	metropole blue	-00		
	M30	boxster red	-00				G30	metropole blue	01		
	M40	boxster red	01				S30	savanna	-00		
	P20	cinnamon brown	01				S40	savanna	01		
	D11	dark grey/natural	00-01				J30	nephrite green	-00		
	T11	brown/natural	00-01				J40	nephrite green	01		
(1)	996 347 981 03	steering wheel	-01	1	M 480/X30		M30	boxster red	-00		
	8YR	black	-00				M40	boxster red	01		
	A28	black	01				P20	cinnamon brown	01		
	B50	space grey	-00				D11	dark grey/natural	00-01		
	C50	graphite grey	-00				T11	brown/natural	00-01		
	C60	graphite grey	01			(1)	993 347 804 63	steering wheel	98	1	M 249
	G10	metropole blue	-00				8YR	black	-00		

Model	Year	MG	SG	Illustration	Restrictions	Update	12:33	23.08.2006	PORSCHE	PET	PORSCHE
996	05	4	03	403-05		203					

Pos	Part Number	Name	Remarks	Qty	Model	Pos	Part Number	Name	Remarks	Qty	Model
	B50	space grey					8YR	black	-00		
	C50	graphite grey	-00				A28	black	01		
	G10	metropole blue	-00				B50	space grey	-00		
	S30	savanna	-00				C50	graphite grey	-00		
(1)	993 347 804 64	steering wheel	99-01	1	M 249		C60	graphite grey	01		
	A28	black	01				G10	metropole blue	-00		
	B50	space grey					G30	metropole blue	01		
	C60	graphite grey	01				S30	savanna	-00		
	G30	metropole blue	01				S40	savanna	01		
	S40	savanna	01				J30	nephrite green	-00		
	J40	nephrite green	01				J40	nephrite green	01		
(1)	993 347 981 02	steering wheel	-01	1	M 432/X26		M30	boxster red	-00		
	8YR	black	-00				M40	boxster red	01		
	A28	black	01				P20	cinnamon brown	01		
	B50	space grey	-00				D11	dark grey/natural	00-01		
	C50	graphite grey	-00				T11	brown/natural	00-01		
	C60	graphite grey	01			(1)	996 347 981 04	steering wheel	-01	1	M 432/X30
	G10	metropole blue	-00				8YR	black	-00		
	G30	metropole blue	01				A28	black	01		
	S30	savanna	-00				B50	space grey	-00		
	S40	savanna	01				C50	graphite grey	-00		
	J30	nephrite green	-00				C60	graphite grey	01		
	J40	nephrite green	01				G10	metropole blue	-00		
	M30	boxster red	-00				G30	metropole blue	01		
	M40	boxster red	01				S30	savanna	-00		
	P20	cinnamon brown	01				S40	savanna	01		
	D11	dark grey/natural	00-01				J30	nephrite green	-00		
	T11	brown/natural	00-01				J40	nephrite green	01		
(1)	996 347 981 02	steering wheel	-01	1	M 432/X28		M30	boxster red	-00		

Model	Year	MG	SG	Illustration	Restrictions	Update	12:33	23.08.2006	PORSCHE	PET	PORSCHE
996	05	4	03	403-05		203					

Pos	Part Number	Name	Remarks	Qty	Model	Pos	Part Number	Name	Remarks	Qty	Model
	M40	boxster red	01			4	999 073 127 02	hexagon-head bolt M 5 X 20		2	
	P20	cinnamon brown	01			5	993 347 831 00	switch		1	M 249/M 432
	D11	dark grey/natural	00-01			(5)	996 347 831 00	switch		1	M 436/M 432
	T11	brown/natural	00-01			6	993 347 835 00	lever	/L	1	M 249/M 432
(1)	993 347 981 08	steering wheel	-01	1	M 432/X77		01C	black			
	8YR	black	-00			(6)	996 347 835 00	lever	/L	1	M 436/M 432
	A28	black	01				01C	black			
	B50	space grey	-00			(6)	993 347 836 00	lever	/R	1	M 249/M 432
	C50	graphite grey	-00				01C	black			
	C60	graphite grey	01			(6)	996 347 836 00	lever	/R	1	M 436/M 432
	G10	metropole blue	-00				01C	black			
	G30	metropole blue	01			7	900 146 016 02	round head screw M 3 X 6		4	
	S30	savanna	-00			8	996 347 007 04	steering column complete with steering shaft	-99	1	
	S40	savanna	01								
	J30	nephrite green	-00			(8)	996 347 007 05	steering column complete with steering shaft	00-	1	
	J40	nephrite green	01								
	M30	boxster red	-00			(8) A	996 347 007 02	steering column complete with steering shaft	99	1	M 476
	M40	boxster red	01								
	P20	cinnamon brown	01			(8) A	996 347 007 06	steering column complete with steering shaft	-02	1	M 476
	D11	dark grey/natural	00-01								
	T11	brown/natural	00-01								
		mount steering wheel steering shaft									
-	N 012 238 1	spring washer B 16		1				steering column complete with steering shaft see technical manual group 4 NR.45....			
-	900 078 006 01	hexagon nut M 16 X 1,5		1		(8)	996 347 007 07	steering column complete with steering shaft	03-	1	M 476
2	999 073 134 02	pan-head screw M 6 X 9,1		2		10	999 217 042 09	hexagon-head bolt M 8 X 35		1	
3	993 347 088 01	retaining frame		1		11	986 347 037 00	bellows	-99	1	

Model	Year	MG	SG	Illustration	Restrictions	Update	12:33	23.08.2006	PORSCHE	PET	PORSCHE
996	05	4	03	403-05		203					

Pos	Part Number	Name	Remarks	Qty	Model	Pos	Part Number	Name	Remarks	Qty	Model
(11)	986 347 037 01	bellows	00-	1		26	A 996 347 804 52	steering wheel		1	M 436
12	996 347 339 02	rubber seal		1			8YR	black			
13	900 380 008 09	hexagon nut M 10		1			B50	space grey			
14	900 378 095 09	hexagon-head bolt M 10 X 100		1			C50	graphite grey			
15	900 378 157 09	hexagon-head bolt AM 6 X 25		1			G10	metropole blue			
16	999 076 055 09	hexagon nut M 8		1		(26)	996 347 804 53	steering wheel	99	1	M 436
17	996 347 243 01	strut		1			8YR	black			
18	900 378 055 09	hexagon-head bolt AM 8 X 40		1			B50	space grey			
19	900 377 002 02	hexagon nut M 6		1			C50	graphite grey			
20	A 996 347 017 05	steering lock housing		1			G10	metropole blue			
(20)	996 347 017 06	steering lock housing	-03	1			S30	savanna			
(20)	996 347 017 07	steering lock housing see technical information group 2 NR.4/03	04-	1		(26)	996 347 804 54	steering wheel	00-	1	M 436
21	996 347 917 00	lock cylinder with stipulated lock-no.	-01	1			M30	boxster red	00		
(21)	996 347 917 01	lock cylinder with stipulated lock-no.	02-	1			J30	nephrite green	01-		
(21)	996 347 915 00	lock cylinder w/o stipulated lock number	-01	1			A08	black	00		
(21)	996 347 915 01	lock cylinder w/o stipulated lock number	02-	1			A28	black	01-		
22	4A0 905 849 B	ignition starter switch	-03	1			B50	space grey			
(22)	4B0 905 849	ignition starter switch see technical information group 2 NR.4/03	04-	1			C50	graphite grey	00		
23	996 617 121 00	support	/RL -99	1			C56	graphite grey	00		
24	996 617 021 04	control unit cruise control	-99	1			C60	graphite grey	01-		
25	996 347 901 00	slotted screw		2			G10	metropole blue			
							G16	metropole blue	00		
							G30	metropole blue	01-		
							S30	savanna			
							S36	savanna	00		
							S40	savanna	01-		
							M30	boxster red			



Model	Year	MG	SG	Illustration	Restrictions	Update	12:33	23.08.2006	PORSCHE	PET	PORSCHE
996	05	4	03	403-05		203					

Pos	Part Number	Name	Remarks	Qty	Model	Pos	Part Number	Name	Remarks	Qty	Model
	M36	boxster red	00				A28	black	01-		
	M40	boxster red	01-				B50	space grey	-00		
	J30	nephrite green					C50	graphite grey	-00		
	J36	nephrite green	00				C60	graphite grey	01-		
	J40	nephrite green	01-03				S30	savanna	-00		
	D11	dark grey/natural	00-				S40	savanna	01-		
	T11	brown/natural	00-				G10	metropole blue	-00		
	P20	cinnamon brown	01-				G30	metropole blue	01-		
(26)	996 347 804 57	steering wheel	04	1	M 436/M 095		J30	nephrite green	-00		
	VTB	dark grey/natural					J40	nephrite green	01-03		
(26)	996 347 983 00	steering wheel		1	M 480/XPA		M30	boxster red	-00		
	8YR	black	-00				M40	boxster red	01-		
	A28	black	01-				P20	cinnamon brown	01-		
	B50	space grey	-00				D11	dark grey/natural	00-		
	C50	graphite grey	-00				T11	brown/natural	00-		
	C60	graphite grey	01-			(26)	996 347 983 10	steering wheel		1	M 480/XPC
	S30	savanna	-00				8YR	black	-00		
	S40	savanna	01-				A28	black	01-		
	G10	metropole blue	-00				B50	space grey	-00		
	G30	metropole blue	01-				C50	graphite grey	-00		
	J30	nephrite green	-00				C60	graphite grey	01-		
	J40	nephrite green	01-03				S30	savanna	-00		
	M30	boxster red	-00				S40	savanna	01-		
	M40	boxster red	01-				G10	metropole blue	-00		
	P20	cinnamon brown	01-				G30	metropole blue	01-		
	D11	dark grey/natural	00-				J30	nephrite green	-00		
	T11	brown/natural	00-				J40	nephrite green	01-03		
(26)	996 347 983 04	steering wheel		1	M 480/XPB		M30	boxster red	-00		
	8YR	black	-00				M40	boxster red	01-		

Model	Year	MG	SG	Illustration	Restrictions	Update	12:33	23.08.2006	PORSCHE	PET	PORSCHE
996	05	4	03	403-05		203					

Pos	Part Number	Name	Remarks	Qty	Model	Pos	Part Number	Name	Remarks	Qty	Model
	P20	cinnamon brown	01-				T11	brown/natural			
	D11	dark grey/natural	00-			(26) A	996 347 804 62	steering wheel		1	M 436 M 432
	T11	brown/natural	00-				8YR	black			
(26)	996 347 983 12	steering wheel		1	M 480/XPD		B50	space grey			
	8YR	black	-00				C50	graphite grey			
	A28	black	01-				G10	metropole blue			
	B50	space grey	-00				S30	savanna			
	C50	graphite grey	-00			(26)	996 347 804 63	steering wheel	99	1	M 436 M 432
	C60	graphite grey	01-				8YR	black			
	S30	savanna	-00				B50	space grey			
	S40	savanna	01-				C50	graphite grey			
	G10	metropole blue	-00				G10	metropole blue			
	G30	metropole blue	01-				S30	savanna			
	J30	nephrite green	-00				M30	boxster red			
	J40	nephrite green	01-03				J30	nephrite green			
	M30	boxster red	-00			(26)	996 347 804 64	steering wheel	00-	1	M 436 M 432
	M40	boxster red	01-				8YR	black			
	P20	cinnamon brown	01-				A08	black	-00		
	D11	dark grey/natural	00-				A28	black	01-		
	T11	brown/natural	00-				B50	space grey			
(26)	996 347 983 28	steering wheel	03-	1	M 480/XPG		C50	graphite grey			
	A28	black					C56	graphite grey	-00		
	C60	graphite grey					C60	graphite grey	01-		
	S40	savanna					G10	metropole blue			
	G30	metropole blue					G16	metropole blue	-00		
	J40	nephrite green	03				G30	metropole blue	01-		
	M40	boxster red					S30	savanna			
	P20	cinnamon brown					S36	savanna	-00		
	D11	dark grey/natural									

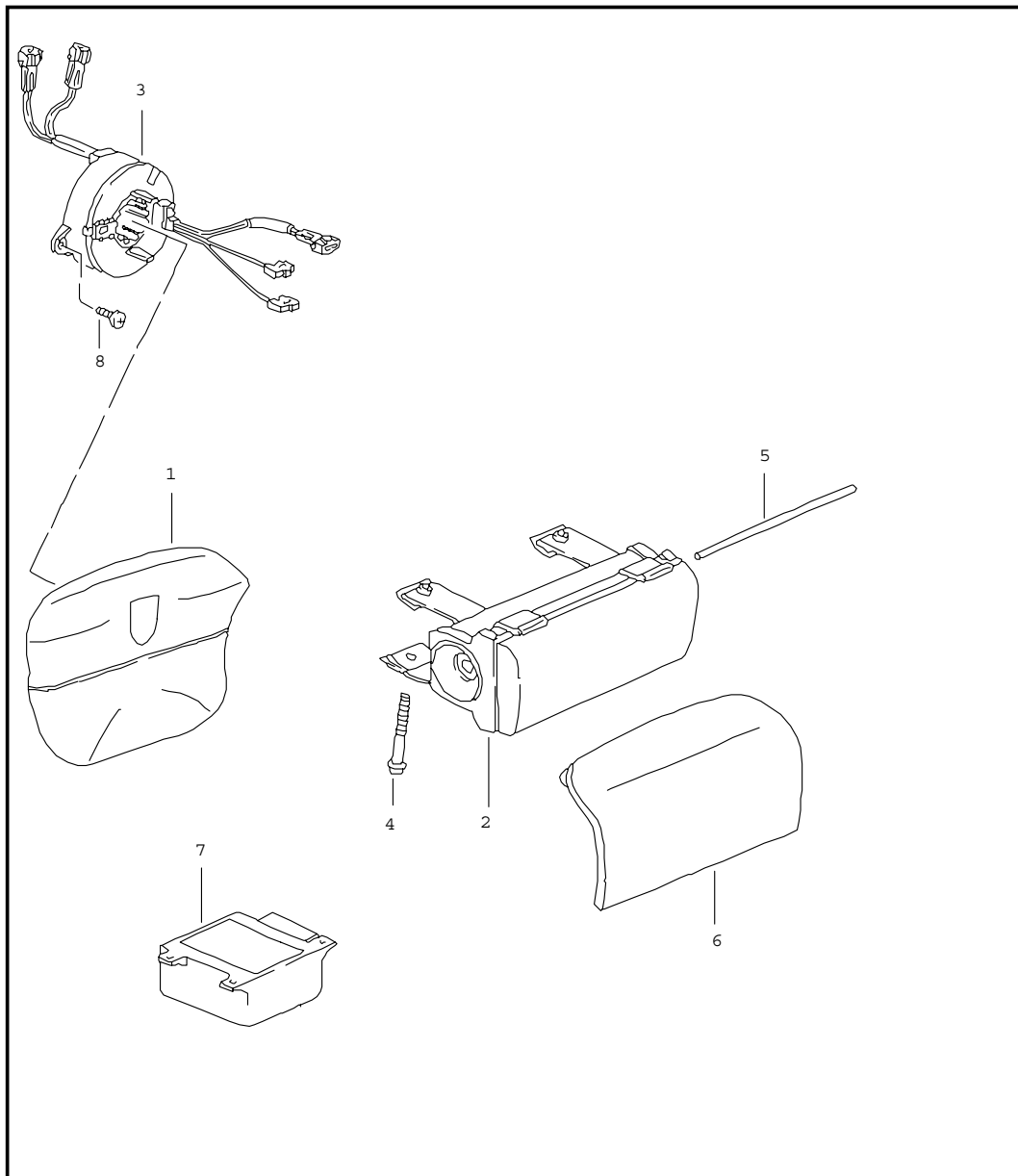
Model	Year	MG	SG	Illustration	Restrictions	Update	12:33	23.08.2006	PORSCHE	PET	PORSCHE
996	05	4	03	403-05		203					

Pos	Part Number	Name	Remarks	Qty	Model	Pos	Part Number	Name	Remarks	Qty	Model
	S40	savanna	01-				A28	black	01-		
	M30	boxster red					B50	space grey	-00		
	M36	boxster red	-00				C50	graphite grey	-00		
	M40	boxster red	01-				C60	graphite grey	01-		
	J30	nephrite green					S30	savanna	-00		
	J36	nephrite green	-00				S40	savanna	01-		
	J40	nephrite green	01-03				G10	metropole blue	-00		
	D11	dark grey/natural	00-				G30	metropole blue	01-		
	T11	brown/natural	00-				J30	nephrite green	-00		
	P20	cinnamon brown	01-				J40	nephrite green	01-03		
(26)	996 347 983 01	steering wheel		1	M 432/XPA		M30	boxster red	-00		
	8YR	black	-00				M40	boxster red	01-		
	A28	black	01-				P20	cinnamon brown	01-		
	B50	space grey	-00				D11	dark grey/natural	00-		
	C50	graphite grey	-00				T11	brown/natural	00-		
	C60	graphite grey	01-			(26)	996 347 983 11	steering wheel		1	M 432/XPC
	S30	savanna	-00				8YR	black	-00		
	S40	savanna	01-				A28	black	01-		
	G10	metropole blue	-00				B50	space grey	-00		
	G30	metropole blue	01-				C50	graphite grey	-00		
	J30	nephrite green	-00				C60	graphite grey	01-		
	J40	nephrite green	01-03				S30	savanna	-00		
	M30	boxster red	-00				S40	savanna	01-		
	M40	boxster red	01-				G10	metropole blue	-00		
	P20	cinnamon brown	01-				G30	metropole blue	01-		
	D11	dark grey/natural	00-				J30	nephrite green	-00		
	T11	brown/natural	00-				J40	nephrite green	01-03		
(26)	996 347 983 05	steering wheel		1	M 432/XPB		M30	boxster red	-00		
	8YR	black	-00				M40	boxster red	01-		

Model	Year	MG	SG	Illustration	Restrictions	Update	12:33	23.08.2006	PORSCHE	PET	PORSCHE
996	05	4	03	403-05		203					

Pos	Part Number	Name	Remarks	Qty	Model	Pos	Part Number	Name	Remarks	Qty	Model
	P20	cinnamon brown	01-				T11	brown/natural			
	D11	dark grey/natural	00-					mount			
	T11	brown/natural	00-					steering wheel		1	
(26)	996 347 983 13	steering wheel		1	M 432/XPD	-	N 012 238 1	spring washer B 16		1	
	8YR	black	-00			-	900 078 006 01	hexagon nut M 16 X 1,5		1	
	A28	black	01-			27	A 996 347 880 00	retaining frame		1	M 436
	B50	space grey	-00			(27)	996 347 880 01	retaining frame	-99	1	M 436
	C50	graphite grey	-00			27	996 347 880 02	plate	00-	1	M 436
	C60	graphite grey	01-			28	999 073 184 02	round head screw M 5 X 18,7		3	M 436
	S30	savanna	-00			29	999 521 079 02	compression spring		3	M 436
	S40	savanna	01-			30	999 073 183 02	pan-head screw M 6 X 10,5		2	M 436
	G10	metropole blue	-00			33	A 996 606 109 01	steering-angle sensor	-02	1	M 476
	G30	metropole blue	01-			(33)	996 606 109 02	steering-angle sensor see technical manual group 4 NR.45....	-02	1	M 476
	J30	nephrite green	-00			(33)	996 606 119 00	steering-angle sensor	03-	1	M 476
	J40	nephrite green	01-03			-	996 610 123 00	cable guide for steering-angle sensor	-02	1	M 476
	M30	boxster red	-00			-	996 610 123 01	cable guide for steering-angle sensor	03-	1	M 476
	M40	boxster red	01-			34	996 347 705 00	adapter		1	M 476
	P20	cinnamon brown	01-			35	999 217 042 09	hexagon-head bolt M 8 X 35		1	M 476
	D11	dark grey/natural	00-			36	996 347 023 00	steering shaft		1	M 476
(26)	996 347 983 29	steering wheel	03-	1	M 432/XPG						
	A28	black									
	C60	graphite grey									
	S40	savanna									
	G30	metropole blue									
	J40	nephrite green	03								
	M40	boxster red									
	P20	cinnamon brown									
	D11	dark grey/natural									
								- - - E N D - - -			

Model	Year	MG	SG	Illustration	Restrictions	Update	12:34	23.08.2006	PORSCHE	PET	PORSCHE
996	05	4	03	403-06		203					



Pos	Part Number	Name	Remarks	Qty	Model
1	996 803 089 03	airbag airbag unit four-spoke steering wheel plastic material		1	
	8YR	black	-00		
	C50	graphite grey	-00		
	S30	savanna	-00		
	G10	metropole blue	-00		
	B50	space grey	-00		
	A28	black	01		
	C60	graphite grey	01		
	S40	savanna	01		
	G30	metropole blue	01		
	J40	nephrite green	01		
	M40	boxster red	01		
(1)	996 803 089 02	airbag unit 3-spoke steering wheel plastic material	-99	1	M 436
	8YR	black			
	C50	graphite grey			
	S30	savanna			
	G10	metropole blue			
	B50	space grey			
	M30	boxster red			
	J30	nephrite green			
(1)	996 803 089 04	airbag unit 3-spoke steering wheel plastic material	00	1	M 436
	A08	black			
	C50	graphite grey			
	C56	graphite grey			
	S30	savanna			

Model	Year	MG	SG	Illustration	Restrictions	Update	12:34	23.08.2006	PORSCHE	PET	PORSCHE
996	05	4	03	403-06		203					

Pos	Part Number	Name	Remarks	Qty	Model	Pos	Part Number	Name	Remarks	Qty	Model
	S36	savanna					S40	savanna	01		
	G10	metropole blue					G30	metropole blue	01		
	G16	metropole blue					M40	boxster red	01		
	B50	space grey					J40	nephrite green	01		
	J30	nephrite green					D11	dark grey/natural	00-01		
	J36	nephrite green					T11	brown/natural	00-01		
	M30	boxster red					P20	cinnamon brown	01		
	M36	boxster red				(1)	996 803 980 01	airbag unit 3-spoke steering wheel leather emblem coloured		1	XPA/XPB/ XPC/XPD
	D11	dark grey/natural					8YR	black	-99		
	T11	brown/natural					C50	graphite grey	-99		
(1)	996 803 089 02	airbag unit 3-spoke steering wheel plastic material	01-	1	M 436		S30	savanna	-99		
	A28	black					G10	metropole blue	-99		
	C60	graphite grey					B50	space grey	-99		
	S40	savanna					M30	boxster red	-99		
	G30	metropole blue					J30	nephrite green	-99		
	J40	nephrite green	01-03				A28	black	01-		
	M40	boxster red					C60	graphite grey	01-		
	D11	dark grey/natural					S40	savanna	01-		
	T11	brown/natural					G30	metropole blue	01-		
	P20	cinnamon brown					J40	nephrite green	01-03		
(1)	996 803 089 05	airbag unit 3-spoke steering wheel leather	04-	1	M 436/M 095		M40	boxster red	01-		
	D11	dark grey/natural					P20	cinnamon brown	01-		
(1)	996 803 980 02	airbag unit four-spoke steering wheel leather emblem embossed	99-01 99-01	1	X26/X28/ X30/X77		D11	dark grey/natural	01-		
	A28	black	01			(1)	996 803 980 01	airbag unit 3-spoke steering wheel leather emblem coloured	03-	1	XPG
	C60	graphite grey	01								

Model	Year	MG	SG	Illustration	Restrictions	Update	12:34	23.08.2006	PORSCHE	PET	PORSCHE
996	05	4	03	403-06		203					

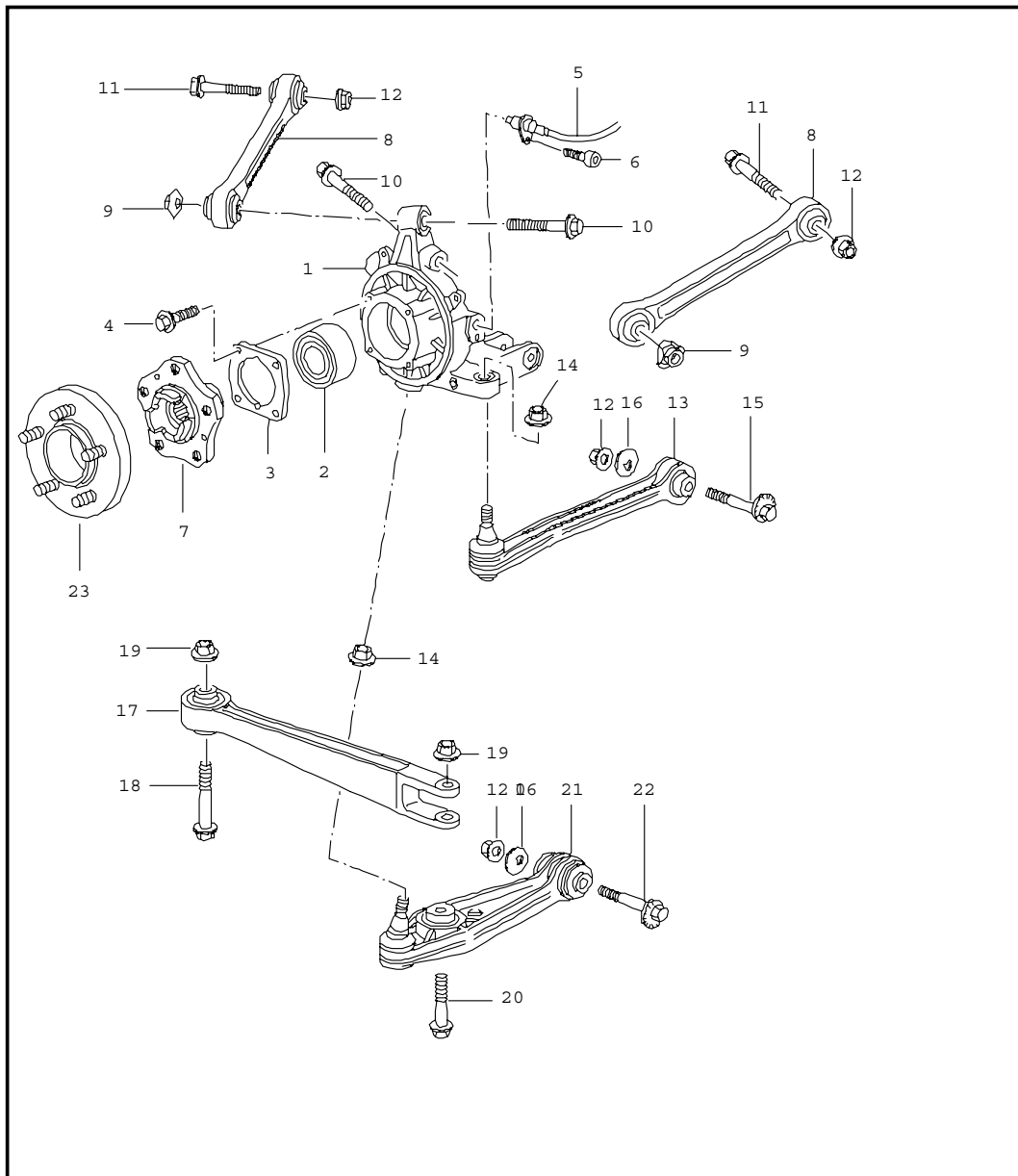
Pos	Part Number	Name	Remarks	Qty	Model	Pos	Part Number	Name	Remarks	Qty	Model
	A28	black				(2)	996 803 071 08	airbag unit see technical information GR.6 NR.2/03	03-	1	
	C60	graphite grey									
	S40	savanna				-	996 803 091 00	airbag unit	/L	1	M 563
	G30	metropole blue				-	996 803 092 00	airbag unit	/R	1	M 563
	J40	nephrite green	03			-	900 378 222 09	hexagon-head bolt M 6 X 16		8	M 563
	M40	boxster red				3	996 652 211 00	support for contact		1	M 480
	P20	cinnamon brown				(3)	996 652 213 00	support for contact		1	M 249
	D11	dark grey/natural				4	900 378 137 09	hexagon-head bolt AM 8 X 95		2	
	T11	brown/natural									
(1)	996 803 980 01	airbag unit 3-spoke steering wheel leather emblem coloured	00	1	M 094/XPC	5	996 803 611 00	hinge pin		1	
	T11	brown/natural				6	996 803 173 04	cover leatherette		1	
(1)	996 803 980 03	airbag unit 3-spoke steering wheel leather emblem silver	00 00	1	XPA/XPB/ XPC/XPD		A18	black	-99		
	8YR	black					B18	space grey	-99		
	C50	graphite grey					C18	graphite grey	-99		
	S30	savanna					S18	savanna	-99		
	G10	metropole blue					G18	metropole blue	-99		
	B50	space grey					A12	black	00-		
	M30	boxster red					B52	space grey	00		
	J30	nephrite green					C52	graphite grey	00-		
	D11	dark grey/natural					S32	savanna	00-		
	T11	brown/natural					G12	metropole blue	00-		
2	A 996 803 071 06	airbag unit	-01	1			J32	nephrite green	-03		
(2)	A 996 803 071 07	airbag unit see technical information GR.6 NR.2/03	-03	1		(6)	996 803 173 05	cover leather		1	
							A11	black			
							B51	space grey			
							C51	graphite grey			
							S31	savanna			
							J31	nephrite green	-03		

Model	Year	MG	SG	Illustration	Restrictions	Update	12:34	23.08.2006	PORSCHE	PET	PORSCHE
996	05	4	03	403-06		203					

Pos	Part Number	Name	Remarks	Qty	Model	Pos	Part Number	Name	Remarks	Qty	Model
	M31	boxster red									
	G11	metropole blue	00-								
	D12	dark grey/natural	00-								
	T12	brown/natural	00-								
	P12	cinnamon brown									
7	996 618 217 01	switch unit		1	M 562						
-	900 377 010 09	nut M 6		1	M 562						
-	999 084 635 02	shear-off nut M 6		2	M 562						
(7) A	996 618 219 00	control unit		1	M 562,563						
(7)	996 618 219 02	control unit		1	M 562,563						
-	900 377 010 09	nut M 6		1	M 562,563						
-	944 618 401 00	nut M 6		2	M 562,563						
-	996 618 221 00	sensor airbag	-01	2	M 563						
-	996 618 221 01	sensor airbag	02-	2	M 563						
-	999 073 152 09	oval-head screw M 6 X 18		4	M 563						
8	900 146 024 07	oval-head screw M 5 X 8		2							
		- - - E N D - - -									



Model	Year	MG	SG	Illustration	Restrictions	Update	12:34	23.08.2006	PORSCHE	PET	PORSCHE
996	05	5	01	501-00		203					

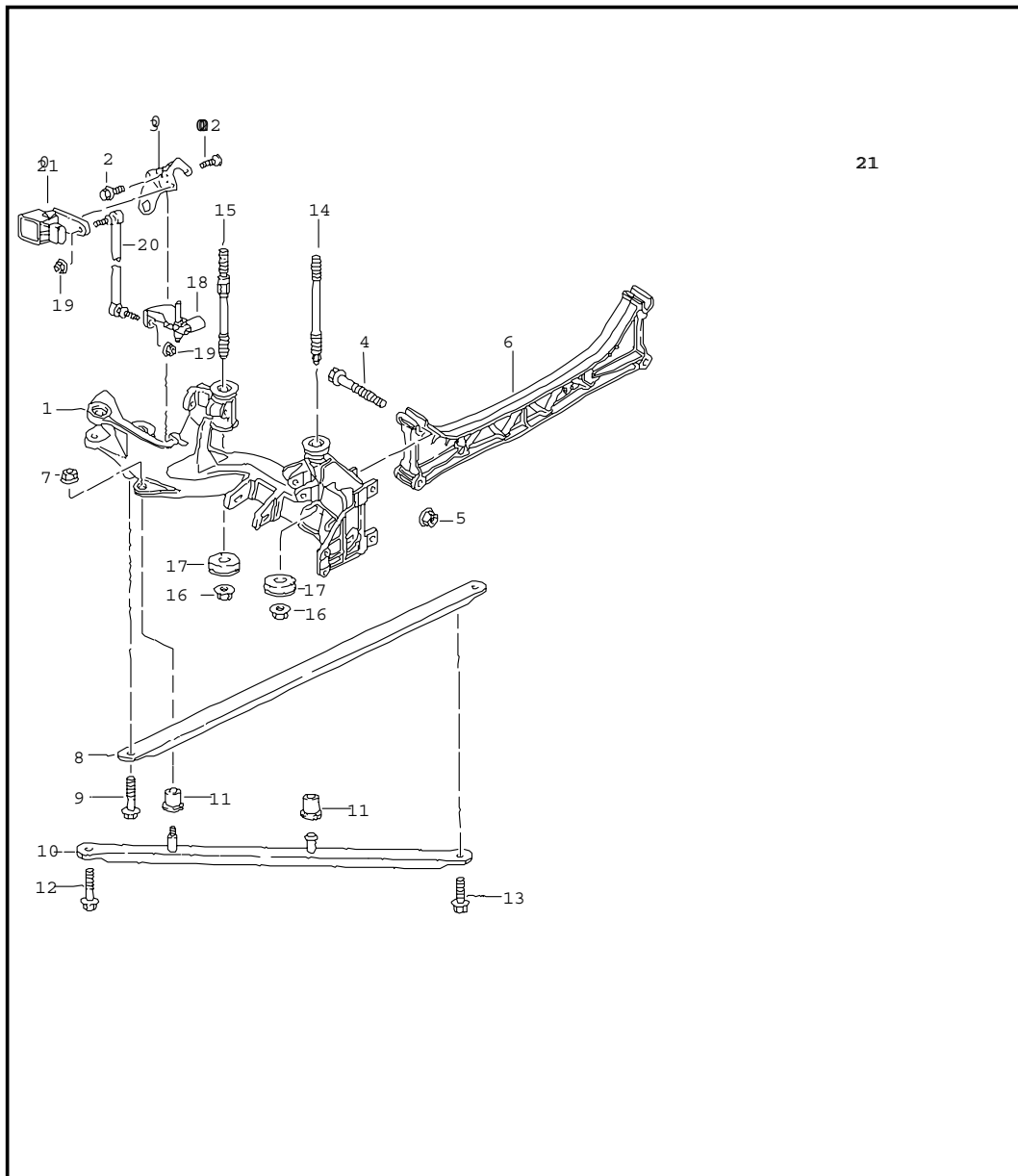


Pos	Part Number	Name	Remarks	Qty	Model
		rear axle wheel carrier control arm wheel hub			
		see technical manual 42-27 42-28 42-29			
1	996 331 111 05	wheel carrier F >>99XS6 08187 F >>99XS6 46091 F >>99XS6 08184 F >>99XS6 46090	/L	1	
(1)	996 331 111 06	wheel carrier F 99XS6 08188>> F 99XS6 46092>> F 99XS6 08185>> F 99XS6 46091>>	/L	1	
(1)	996 331 112 05	wheel carrier F >>99XS6 08187 F >>99XS6 46091 F >>99XS6 08184 F >>99XS6 46090	/R	1	
(1)	996 331 112 06	wheel carrier F 99XS6 08188>> F 99XS6 46092>> F 99XS6 08185>> F 99XS6 46091>>	/R	1	
2	999 053 055 02	angular-contact bearing		2	
3	996 331 661 01	cover		2	
4	999 217 042 09	hexagon-head bolt M 8 X 35		8	
5	996 606 406 00	speed sensor		2	
6	900 067 117 09	pan-head screw M 6 X 16		2	
7	997 331 605 00	wheel hub		2	
8	996 331 047 02	control arm	-01	2	
(8)	996 331 047 03	control arm	-03	2	
(8)	996 331 047 05	control arm	04-	2	
9	999 084 452 09	hexagon nut M 12 X 1,5		4	

Model	Year	MG	SG	Illustration	Restrictions	Update	12:34	23.08.2006	PORSCHE	PET	PORSCHE
996	05	5	01	501-00		203					

Pos	Part Number	Name	Remarks	Qty	Model	Pos	Part Number	Name	Remarks	Qty	Model
10	900 378 139 09	hexagon-head bolt M 12 X 80		4		(23)	996 361 605 90	spacer ring 5 MM without wheel bolt	01-	2	XRP
11	900 378 088 09	hexagon-head bolt M 12 X 100		4							
12	999 084 445 09	hexagon nut M 12 X 1,5		10				- - - E N D - - -			
13	996 331 045 06	track rod F >>99WS6 00422		2							
(13) A	996 331 045 07	track rod		2							
(13) A	996 331 045 08	track rod F 99WS6 00423>>		2							
(13)	996 331 045 12	track rod		2							
14	999 084 449 09	hexagon nut M 12 X 1,5		4							
15	996 331 217 02	eccentric screw M 12 X 83		2							
16	996 331 219 00	eccentric washer		2							
17	996 341 043 03	control arm		2							
18	900 378 051 09	hexagon-head bolt M 14 X 100		2							
19	900 380 012 09	hexagon nut M 14 X 1,5		4							
20	900 378 135 09	hexagon-head bolt M 14 X 75		2							
21 A	996 341 053 07	control arm	-03	2							
(21)	996 341 053 16	control arm	04	2							
(21)	996 341 053 17	control arm	05-	2							
22	996 331 217 03	eccentric screw		2							
23	996 361 617 00	spacer ring 17 MM with wheel bolt	01	2	XRN						
(23)	996 361 617 00	spacer ring 17 MM with wheel bolt	02-	2	XRN/C 4-S						

Model	Year	MG	SG	Illustration	Restrictions	Update	12:34	23.08.2006	PORSCHE	PET	PORSCHE
996	05	5	01	501-01		203					



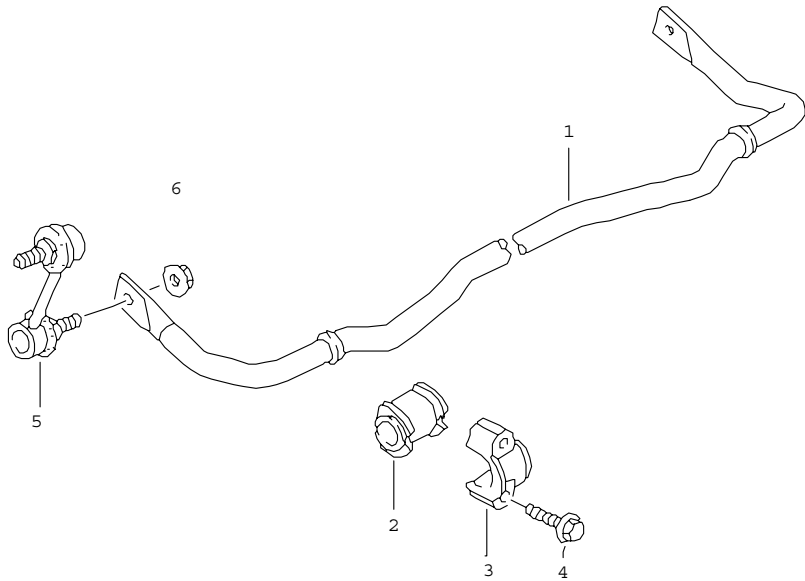
21

Pos	Part Number	Name	Remarks	Qty	Model
		rear axle side section bracket			
1	A 996 331 051 01	side section	/L	1	
(1)	A 996 331 055 00	side section	/L	1	
(1)	996 331 055 01	side section	/L	1	
(1)	A 996 331 052 01	side section	/R	1	
(1)	A 996 331 056 00	side section	/R	1	
(1)	996 331 056 01	side section	/R	1	
2	900 067 117 09	pan-head screw M 6 X 16		2	
3	996 355 505 02	support for brake hose	/L	1	
(3)	996 355 505 04	support for brake hose	/L	1	M 601
(3)	996 355 506 02	support for brake hose F >>994S6 30356 F >>994S6 03928 F >>994S6 42725	/R	1	
(3)	997 355 506 02	support for brake hose F 994S6 30357>> F 994S6 03929>> F 994S6 42726>>	/R	1	
4	900 378 139 09	screw M 12 X 80		4	
5	999 084 445 09	hexagon nut M 12 X 1,5		4	
6	A 996 331 261 05	cross member	98	1	
(6)	A 996 331 261 06	cross member	-99	1	
(6)	A 996 331 261 07	cross member	-01	1	
(6)	996 331 261 10	cross member	02-	1	
7	999 076 053 09	hexagon nut M 10		2	

Model	Year	MG	SG	Illustration	Restrictions	Update	12:34	23.08.2006	PORSCHE	PET	PORSCHE
996	05	5	01	501-01		203					

Pos	Part Number	Name	Remarks	Qty	Model	Pos	Part Number	Name	Remarks	Qty	Model
8	996 331 171 03	transverse strut front		1	M 480						
(8)	996 331 171 04	transverse strut front		1	M 249						
9	999 072 031 09	hexagon-head bolt M 10 X 45		2							
10	A 996 331 081 02	strut	-04	2							
(10)	997 331 081 01	strut	05-	2							
11	996 331 385 00	rubber mounting		6							
12	999 072 031 09	hexagon-head bolt M 10 X 45		2							
13	900 378 072 09	hexagon-head bolt M 12 X 30		2							
14	999 061 102 09	stud M 12 X 1,5		4							
15	999 061 103 09	stud M 12 X 1,5		2							
16	999 084 445 09	hexagon nut M 12 X 1,5		6							
17	996 331 291 02	washer		6							
18	996 341 371 03	support	99-	1	M 601						
19	900 380 015 09	hexagon nut VM 6	99-	2	M 601						
20	996 331 375 01	strut	99-	1	M 601						
21	996 631 121 00	sensor	99-	1	M 601						
22	N 014 129 12	oval-head screw M 5 X 10	99-	2	M 601						
		- - - E N D - - -									

Model	Year	MG	SG	Illustration	Restrictions	Update	12:34	23.08.2006	PORSCHE	PET	PORSCHE
996	05	5	01	501-03		203					

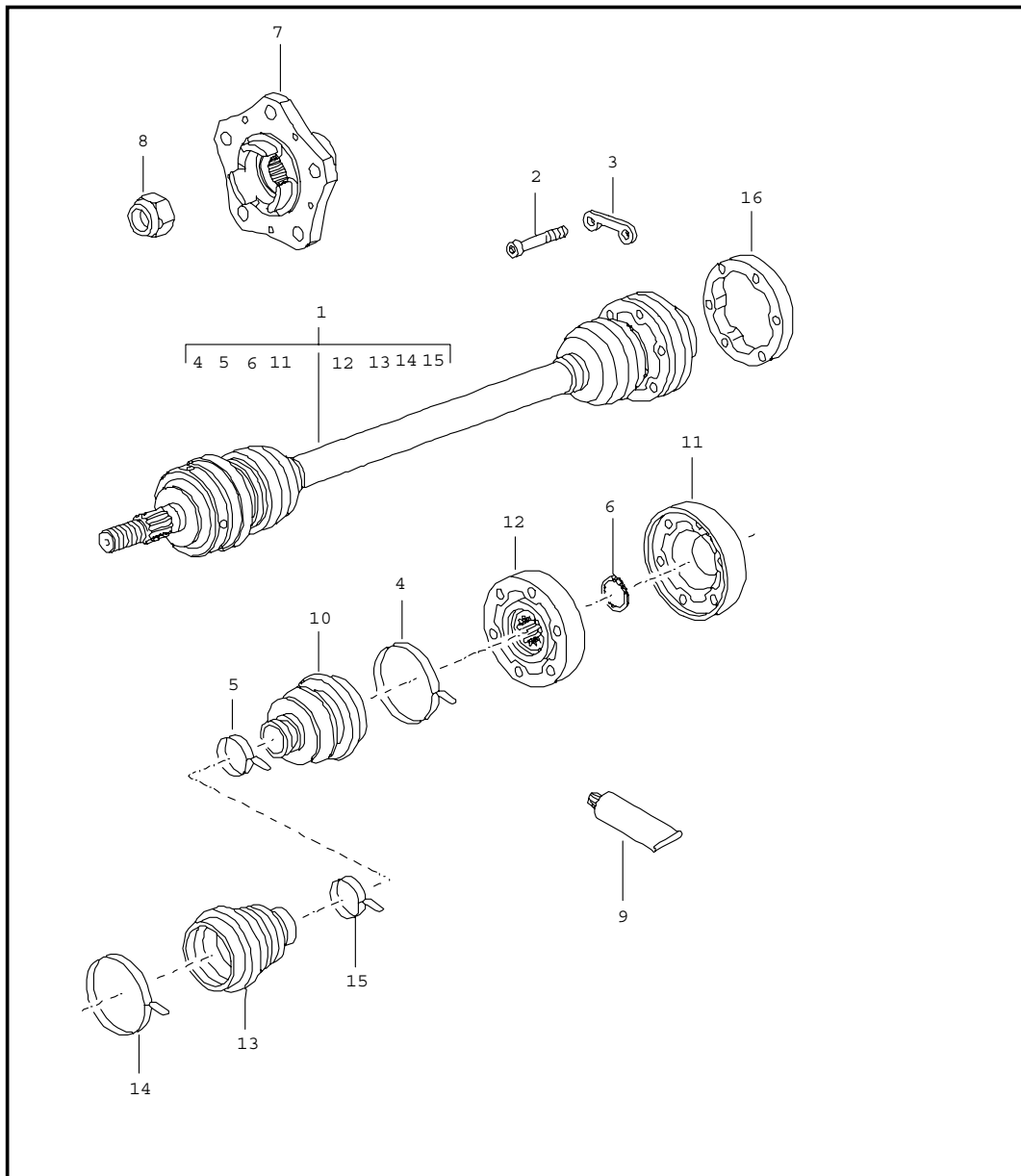


Pos	Part Number	Name	Remarks	Qty	Model
		stabiliser see technical manual 42-27 42-28 42-29 F >>99XS6 08187 F >>99XS6 46091 F >>99XS6 08184 F >>99XS6 46090			
1	A 996 333 701 12	stabiliser	99	1	COUPE COUPE M 030/249 CABRIO CABRIO M 339
(1)	A 996 333 701 13	stabiliser	99	1	COUPE M 030/480
			99	1	COUPE M 339 CABRIO M 030/339
			99	1	X74/338
(1)	996 333 701 15	stabiliser	99	1	COUPE M 030/339
		F 99XS6 08188>> F 99XS6 46092>> F 99XS6 08185>> F 99XS6 46091>>			
1	A 996 333 701 16	stabiliser 18,50 MM		1	COUPE M 338 COUPE M338/030/249
				1	CABRIO M 338
				1	CABRIO M 339
				1	CABRIO M338/030/249
(1)	A 996 333 701 17	stabiliser 19,60 MM		1	COUPE M338/030/480
				1	COUPE M 339
				1	CABRIO M338/030/480
				1	CABRIO M 339/030

Model	Year	MG	SG	Illustration	Restrictions	Update	12:34	23.08.2006	PORSCHE	PET	PORSCHE
996	05	5	01	501-03		203					

Pos	Part Number	Name	Remarks	Qty	Model	Pos	Part Number	Name	Remarks	Qty	Model
(1)	996 333 701 19	stabiliser 19,60 MM	00-	1	X74/338						
(1)	996 333 705 03	stabiliser 21,70 MM	00-	1	X74/339						
(1)	996 333 701 20	stabiliser 20,70 MM	02-	1	COUPE M 339/030						
(1)	996 333 701 19	stabiliser	02-	1	TARGA						
(1)	996 333 701 20	stabiliser	02-	1	TARGA M 249/030						
(1)	996 333 701 20	stabiliser	02-	1	TARGA M 480/030						
2	996 333 792 24	stabiliser mounting 18,70 MM	98-	2	C 4-S						
(2)	996 333 792 25	stabiliser mounting 19,80 MM	98-	2							
(2)	996 333 792 26	stabiliser mounting 20,90 MM	02-	2	TARGA M 249/030						
(2)	996 333 792 26	stabiliser mounting	02-	2	TARGA M 480/030						
3	996 333 777 01	clamp	98-	2	C 4-S						
4	900 378 055 09	hexagon-head bolt AM 8 X 40	98-	4							
5	996 333 069 02	stabiliser mounting	-99	2							
(5)	996 333 069 03	stabiliser mounting	00-	2							
6	999 084 643 09	hexagon nut M 10	98-	2							
		- - - E N D - - -									

Model	Year	MG	SG	Illustration	Restrictions	Update	12:35	23.08.2006	PORSCHE	PET	PORSCHE
996	05	5	01	501-05		203					



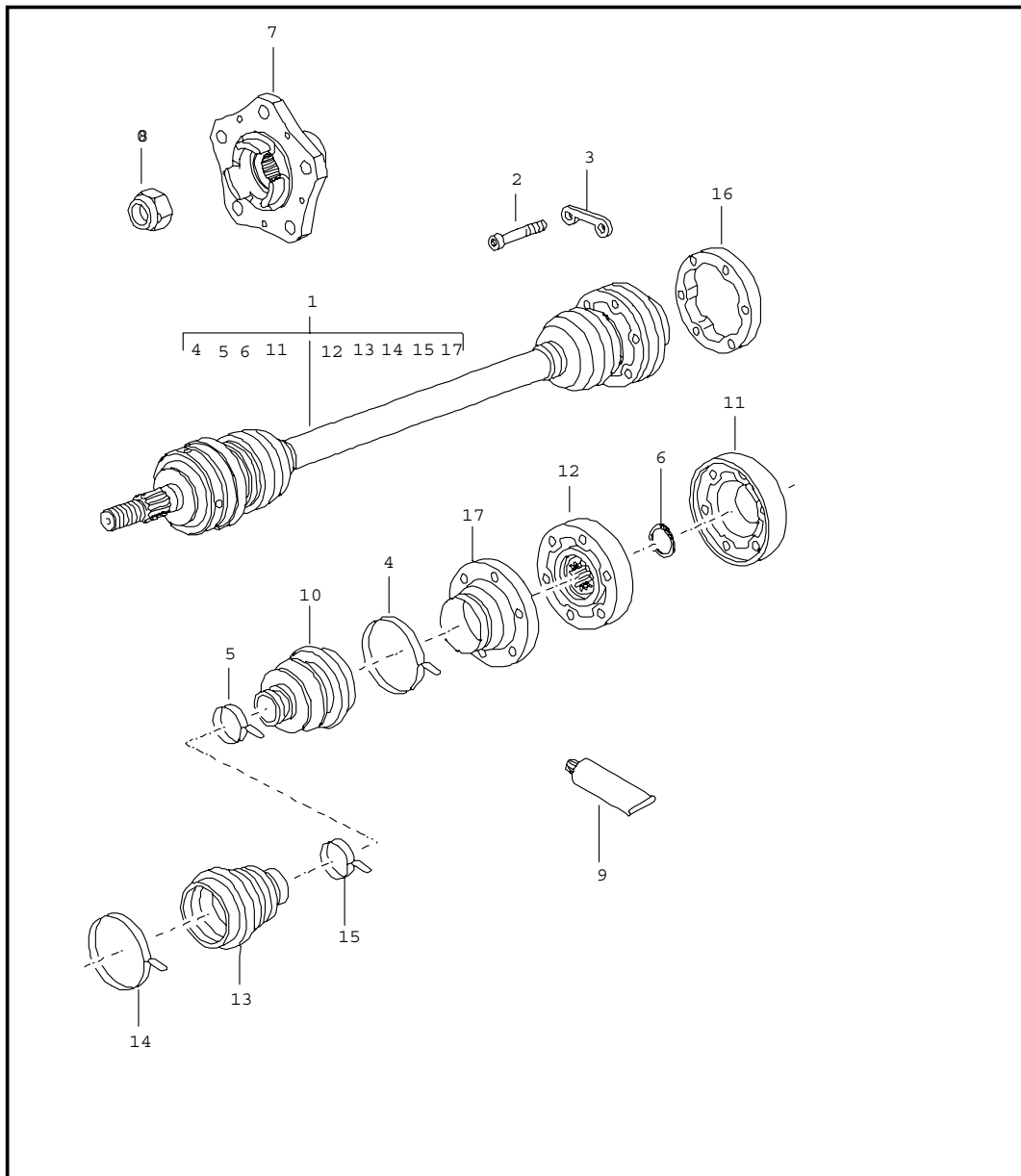
Pos	Part Number	Name	Remarks	Qty	Model
		drive shaft			
		wheel hub			
		F >>992S6 03555			M 480
		F >>992S6 42147			M 480
		F >>992S6 30713			M 480
		F >>992S6 03622			M 249
		F >>992S6 42181			M 249
		F >>992S6 30736			M 249
1	996 332 024 04	drive shaft	-01	2	M 249
(1)	996 332 024 05	drive shaft	02-	2	M 249
(1)	996 332 024 03	drive shaft		2	M 480
2	900 067 123 09	pan-head screw M 10 X 50		12	M 480
(2)	999 510 041 09	pan-head screw M 10 X 65		12	M 249
3	993 332 191 00	plate		6	
4	911 332 257 00	clip \$ 73 MM		2	
5	928 332 257 01	clip \$ 34 MM		2	
6	900 041 014 00	circlip		2	
7	997 331 605 00	wheel hub		2	
8	999 084 641 02	lock nut M 22 X 1,5		2	
9	000 043 110 00	grease 1 tube 100 g		X	
(9)	000 043 205 36	sealing compound drive shaft 1 tube 100 g		X	
10	928 332 293 02	dust bellows		2	
-	911 332 259 01	support for dust bellows		2	
11	928 332 267 01	cover		2	
12	911 332 030 01	joint		2	
13	928 332 293 02	dust bellows		2	
14	911 332 257 00	clip		2	

Model	Year	MG	SG	Illustration	Restrictions	Update						
996	05	5	01	501-05		203	12:35	23.08.2006	PORSCHE	PET	PORSCHE	

Pos	Part Number	Name	Remarks	Qty	Model	Pos	Part Number	Name	Remarks	Qty	Model
15	928 332 257 01	clip		2							
16	996 332 229 01	spacer ring	02-	2	M 249						
		- - - E N D - - -									



Model	Year	MG	SG	Illustration	Restrictions	Update	12:35	23.08.2006	PORSCHE	PET	PORSCHE
996	05	5	01	501-06		203					

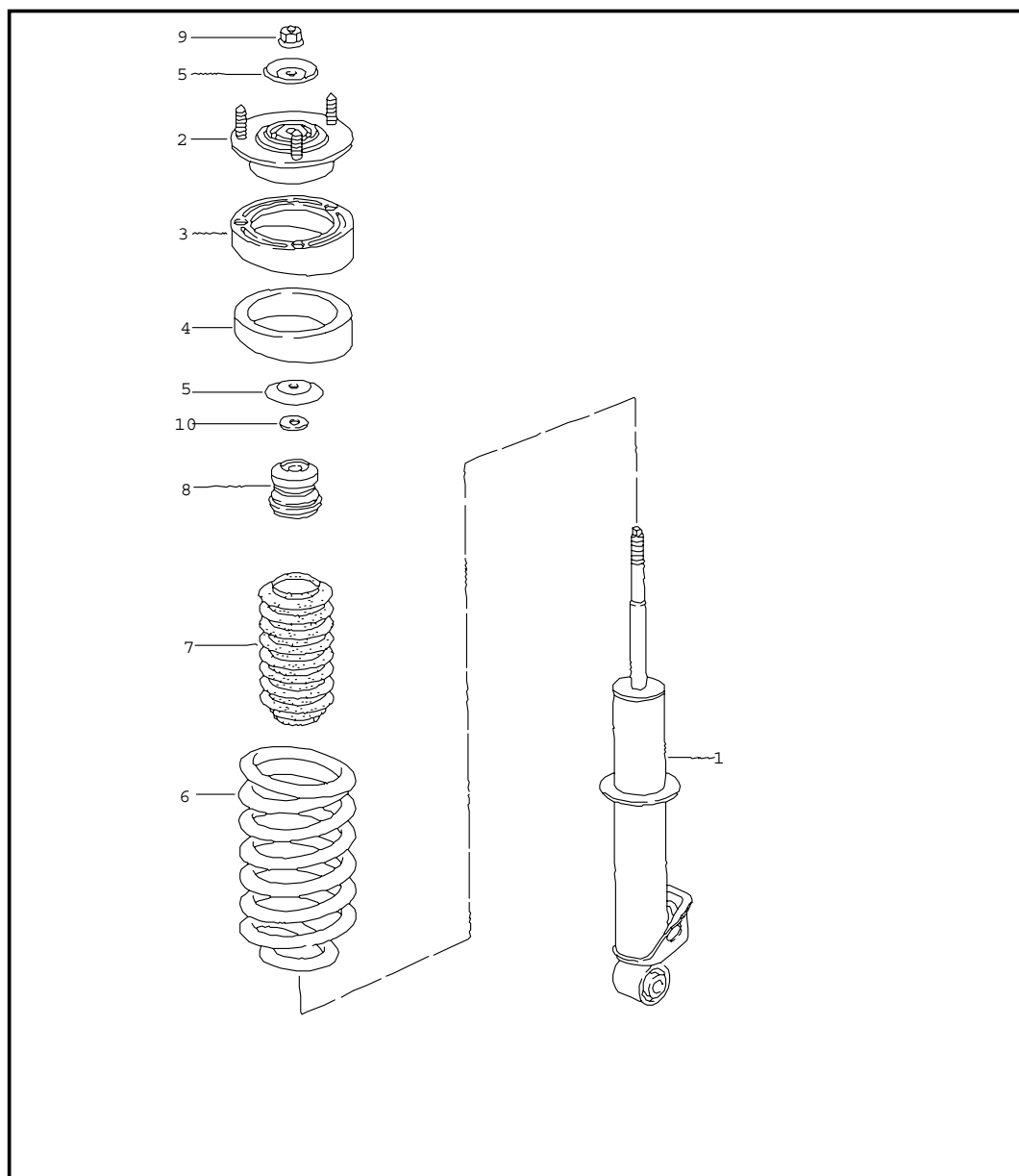


Pos	Part Number	Name	Remarks	Qty	Model
		drive shaft wheel hub			
		F 992S6 03556>>			M 480
		F 992S6 42148>>			M 480
		F 992S6 30714>>			M 480
		F 992S6 03623>>			M 249
		F 992S6 42182>>			M 249
		F 992S6 30737>>			M 249
1	996 332 024 06	drive shaft		2	M 480
(1)	996 332 024 07	drive shaft		2	M 249
2	900 067 229 09	pan-head screw M 10 X 48,4		12	M 480
(2)	999 510 043 09	pan-head screw M 10 X 61		12	M 249
3	993 332 191 00	plate		6	
(3)	996 332 191 00	plate		6	
4	996 332 957 00	clip \$ 73 MM		2	
5	996 332 257 00	clip \$ 34 MM		2	
6	900 041 014 00	circlip		2	
7	997 331 605 00	wheel hub		2	
8	999 084 641 02	lock nut M 22 X 1,5	-03	2	
(8)	999 084 641 02	lock nut M 22 X 1,5	04-	2	
9	000 043 110 01	grease for drive shaft 1 tube 100 g		X	
10	996 332 293 00	dust bellows		2	
11	928 332 267 01	cover		2	
12	996 332 030 00	joint		2	
13	996 332 293 00	dust bellows		2	
14	996 332 957 00	clip		2	
15	996 332 257 00	clip		2	
16	A 996 332 229 00	spacer ring	02	2	M 249
(16)	996 332 229 01	spacer ring	03-	2	M 249

Model	Year	MG	SG	Illustration	Restrictions	Update	12:35	23.08.2006	PORSCHE	PET	PORSCHE
996	05	5	01	501-06		203					

Pos	Part Number	Name	Remarks	Qty	Model	Pos	Part Number	Name	Remarks	Qty	Model
17	996 332 259 00	support		2							
		- - - E N D - - -									

Model	Year	MG	SG	Illustration	Restrictions	Update	12:35	23.08.2006	PORSCHE	PET	PORSCHE
996	05	5	02	502-00		203					



Pos	Part Number	Name	Remarks	Qty	Model
		shock absorber coil spring			
1	996 333 051 04	shock absorber - bilstein -	-01	2	
(1)	996 333 051 21	vibration damper - bilstein -	02	2	
(1) A	996 333 051 25	shock absorber - bilstein -	03	2	
(1)	996 333 051 33	shock absorber - bilstein -	04-	2	
(1)	996 333 051 13	shock absorber - bilstein -	-01	2	M 030
(1)	996 333 051 22	vibration damper - bilstein -	02	2	M 030
(1)	996 333 051 26	shock absorber - bilstein -	03	2	M 030
(1)	996 333 051 34	shock absorber - bilstein -	04-	2	M 030
(1)	996 333 051 24	vibration damper - bilstein -	02	2	C 4-S
(1) A	996 333 051 28	shock absorber - bilstein -	03	2	C 4-S COUPE
(1)	996 333 051 40	shock absorber - bilstein -	04-	2	C 4-S COUPE
(1) U	996 333 051 30	shock absorber - bilstein -	04-	2	C 4-S CABRIO
(1)	996 333 051 41	shock absorber - bilstein -	04-	2	C 4-S CABRIO
(1)	996 333 051 26	shock absorber - bilstein -	04-	2	M 095
(1)	996 333 980 06	shock absorber	-01	2	X74
(1) A	996 333 980 10	shock absorber	02-03	2	X74
(1) A	996 333 980 10	shock absorber	03	2	X73 C 4-S COUPE
(1)	996 333 980 24	vibration damper	04-	2	X73 C 4-S COUPE
			04-	2	X74

Model	Year	MG	SG	Illustration	Restrictions	Update	12:35	23.08.2006	PORSCHE	PET	PORSCHE
996	05	5	02	502-00		203					

Pos	Part Number	Name	Remarks	Qty	Model	Pos	Part Number	Name	Remarks	Qty	Model
-	900 378 138 09	mount shock absorber		2			504	marked brown red			
-	999 084 445 09	hexagon-head bolt M 12 X 1,5 X 70		2			F	>>991S6 41090			
-	999 084 445 09	hexagon nut M 12 X 1,5		2			F	>>991S6 00547			
2	996 333 059 03	supporting mount		2		(6)	996 333 531 37	coil spring 1 set	-01	1	M 249 COUPE
-	900 380 008 09	hexagon nut M 10		6			504	marked brown red			
3	996 333 511 02	compensating plate 0,5 MM		X			F	991S6401091>>			
(3)	996 333 511 03	compensating plate 4,0 MM		X			F	991S6 00548>>			
4	993 333 504 00	ring		2		(6)	996 333 531 24	coil spring 1 set	02-	1	M 249 COUPE
5	996 333 107 00	stop plate		4			504	marked brown red			
6	996 333 531 03	coil spring 1 set		1	M 480 COUPE	(6)	996 333 531 04	coil spring 1 set		1	M 480 CABRIO
	504	marked brown white					504	marked brown red			
		F >>991S6 41090					F	>>991S6 41090			
		F >>991S6 00547					F	>>991S6 00547			
		F >>991S6 40407					F	>>991S6 40407			
		F >>991S6 40432					F	>>991S6 40432			
(6)	996 333 531 36	coil spring 1 set	-01	1	M 480 COUPE	(6)	996 333 531 37	coil spring 1 set	-01	1	M 480 CABRIO
	504	marked brown white					504	marked brown red			
		F 991S6 41091>>					F	991S6 41091>>			
		F 991S6 00548>>					F	991S6 00548>>			
		F 991S6 40408>>					F	991S6 40408>>			
		F 991S6 40433>>					F	991S6 40433>>			
(6)	996 333 531 23	coil spring 1 set	02-	1	M 480 COUPE	(6)	996 333 531 24	coil spring 1 set	02- 02-	1	M 480 CABRIO
	504	marked brown white					504	marked brown red		1	M 480 TARGA
(6)	996 333 531 04	coil spring 1 set		1	M 249 COUPE	(6)	996 333 531 05	coil spring 1 set		1	M 249 CABRIO

Model	Year	MG	SG	Illustration	Restrictions	Update	12:35	23.08.2006	PORSCHE	PET	PORSCHE
996	05	5	02	502-00		203					

Pos	Part Number	Name	Remarks	Qty	Model	Pos	Part Number	Name	Remarks	Qty	Model
	504	marked brown yellow F >>991S6 41090 F >>991S6 00547 F >>991S6 40407 F >>991S6 40432					504	marked green white F 991S6 41091>> F 991S6 00548>> F 991S6 40408>> F 991S6 40433>>			
(6)	996 333 531 38	coil spring 1 set	-01	1	M 249 CABRIO	(6)	996 333 531 26	coil spring 1 set	02-	1	M 030/480 COUPE
	504	marked brown yellow F 991S6 41091>> F 991S6 00548>> F 991S6 40408>> F 991S6 40433>>					504	marked green white			
(6)	996 333 531 25	coil spring 1 set	02- 02-	1 1	M 249 CABRIO M 249 TARGA	(6)	996 333 531 12	coil spring 1 set		1 1	M 030/249 COUPE M 030/480 CABRIO
	504	marked brown yellow					504	marked green red F >>991S6 41090 F >>991S6 00547 F >>991S6 40407 F >>991S6 40432			
(6)	A 996 333 531 18	coil spring 1 set		1	M 249 CABRIO	(6)	996 333 531 40	coil spring 1 set	-01 -01	1 1	M 030/249 COUPE M 030/480 CABRIO
	504	marked blue yellow F >>991S6 41090 F >>991S6 00547 F >>991S6 40407 F >>991S6 40432					504	marked green red F 991S6 41091>> F 991S6 00548>> F 991S6 40408>> F 991S6 40433>>			
(6)	996 333 531 11	coil spring 1 set		1	M 030/480 COUPE	(6)	996 333 531 27	coil spring 1 set	02- 02- 02-	1 1 1	M 030/249 COUPE M 030/480 CABRIO M 030/480 TARGA
	504	marked green white F >>991S6 41090 F >>991S6 00547 F >>991S6 40407 F >>991S6 40432					504	marked green red			
(6)	996 333 531 39	coil spring 1 set	-01	1	M 030/480 COUPE	(6)	996 333 531 13	coil spring 1 set		1	M 030/249 CABRIO

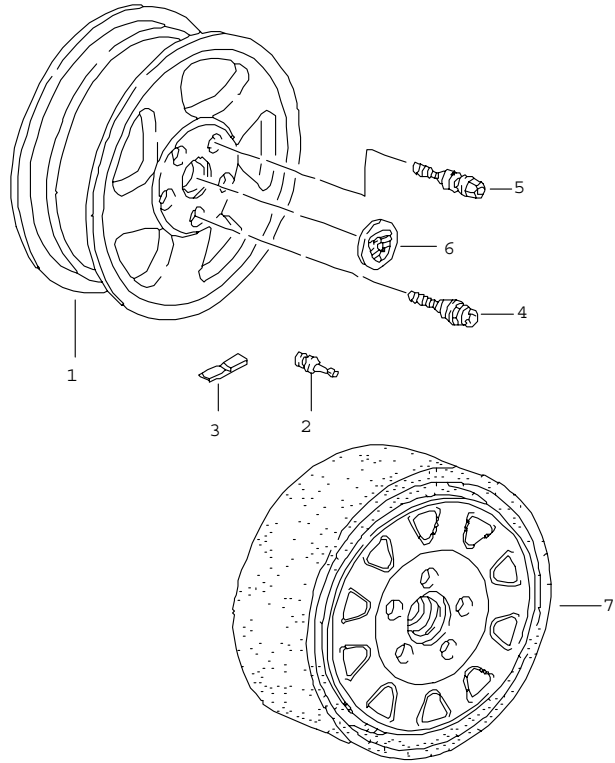
Model	Year	MG	SG	Illustration	Restrictions	Update	12:35	23.08.2006	PORSCHE	PET	PORSCHE
996	05	5	02	502-00		203					

Pos	Part Number	Name	Remarks	Qty	Model	Pos	Part Number	Name	Remarks	Qty	Model
	504	marked green yellow F >>991S6 41090 F >>991S6 00547 F >>991S6 40407 F >>991S6 40432				(6)	996 333 531 56	coil spring 1 set	04-	1	M 095
	504	marked green yellow					504	marked green green			
(6)	996 333 531 41	coil spring 1 set	-01	1	M 030/249 CABRIO	(6)	996 333 980 07	coil spring 1 set	-01	1	X74
	504	marked green yellow F 991S6 41091>> F 991S6 00548>> F 991S6 40408>> F 991S6 40433>>					504	marked red lilac creamy white			
(6)	996 333 531 28	coil spring	02- 02-	1	M 030/249 CABRIO 1 M 030/249 TARGA	(6)	996 333 980 07	coil spring 1 set	02-	1	X74
	504	marked green yellow					504	marked red lilac creamy white F >>992S6 03565			
(6)	996 333 531 48	coil spring 1 set	02-	1	C 4-S COUPE	(6)	996 333 980 11	coil spring 1 set		1	X74
	504	marked blue white			M 480		504	marked red lilac creamy white F 992S6 03566>>			
(6)	996 333 531 49	coil spring 1 set	02-	1	C 4-S COUPE	(6)	996 333 980 13	coil spring 1 set	03-	1	X73 C 4-S
	504	marked blue red			M 249		504	marked creamy white silver			COUPE
(6) U	996 333 531 53	coil spring 1 set	04-	1	C 4-S CABRIO	7	993 333 107 01	bellows		2	
	504	marked blue violet				8	996 333 105 02	additional spring		2	
(6)	996 333 531 58	coil spring 1 set	04-	1	C 4-S CABRIO	(8)	964 333 105 80	additional spring	-01	2	X74
	504	marked blue violet				-	911 333 511 00	washer	-01	2	X74
(6)	996 333 531 58	coil spring 1 set	04-	1	C 4-S CABRIO	(8) A	996 333 105 03	additional spring		2	M 030
	504	marked blue violet				(8)	996 333 105 03	additional spring	02-	2	M 030 C 4-S
(6)	996 333 531 58	coil spring 1 set	04-	1	C 4-S CABRIO	(8)	996 333 105 03	additional spring	02-	2	X74
	504	marked blue violet				(8)	996 333 105 03	additional spring	03-	2	X73 C 4-S COUPE
						9	999 084 445 09	hexagon nut M 10		2	

Model	Year	MG	SG	Illustration	Restrictions	Update	12:35	23.08.2006	PORSCHE	PET	PORSCHE
996	05	5	02	502-00		203					

Pos	Part Number	Name	Remarks	Qty	Model	Pos	Part Number	Name	Remarks	Qty	Model
10	999 025 240 02	washer mount shock absorber		2							
-	900 378 138 09	hexagon-head bolt M 12 X 1,5 X 70		2							
-	999 084 445 09	hexagon nut M 12 X 1,5		2							
-	900 380 008 09	hexagon nut M 10		6							
		- - - E N D - - -									

Model	Year	MG	SG	Illustration	Restrictions	Update	12:35	23.08.2006	PORSCHE	PET	PORSCHE
996	05	6	01	601-00		203					



Pos	Part Number	Name	Remarks	Qty	Model
		wheels			
1	993 362 134 05	disc wheel 7,5 J X 18 ET 50	/V	2	M 408
(1)	993 362 134 06	disc wheel 7,5 J X 18 ET 50	/V -01	2	M 413
(1)	993 362 136 01	disc wheel 8 J X 18 ET52	/V 02-	2	M 413
(1)	993 362 136 50	disc wheel 8 J X 18 ET52	/V 02-	2	XRB
(1)	996 362 136 50	disc wheel 8 J X 18 ET 52	/V 02-	2	XRL
(1)	996 362 136 51	disc wheel 8 J X 18 ET 50	/V 02-	2	XRC
(1)	996 362 136 07	disc wheel 8 J X 18 ET 50	/V 04	2	M 417
(1)	996 362 124 00	disc wheel 7 J X 17 ET 55 for winter use	/V	2	M 396
(1)	993 362 140 01	disc wheel 10 J X 18 ET 65	/H	2	M 408
(1)	993 362 140 04	disc wheel 10 J X 18 ET 65	/H	2	M 413
(1)	993 362 140 50	disc wheel 10 J X 18 ET 65	/H 02-	2	XRB
(1)	996 362 128 00	disc wheel 9 J X 17 ET 55	/H	2	M 396
(1)	996 362 140 50	disc wheel 10 J X 18 ET 65	/H 02-	2	XRL
(1)	996 362 142 51	disc wheel 11 J X 18 ET 63	/H 02-03	2	XRC



Model	Year	MG	SG	Illustration	Restrictions	Update	12:35	23.08.2006	PORSCHE	PET	PORSCHE
996	05	6	01	601-00		203					

Pos	Part Number	Name	Remarks	Qty	Model	Pos	Part Number	Name	Remarks	Qty	Model
(1)	996 362 142 52	disc wheel 11 J X 18 ET 63	/H 04-	2	XRC	(1)	996 362 140 03	disc wheel 10 J X 18 ET 65	/H 02-	2	M 411
(1)	996 362 124 01	disc wheel 7 J X 17 ET 55	/V 99-	2	M 399	(1)	996 362 142 10	disc wheel 11 J X 18 ET 45	/H 02	2	C 4-S M 415
(1) A	993 362 134 07	disc wheel 7,5 J X 18 ET 50	/V 00-	2	M 414	(1)	996 362 142 10	disc wheel 11 J X 18 ET 45	/H 03-	2	C 4-S M 415
(1)	993 362 134 08	disc wheel 7,5 J X 18 ET 50	/V 00- -01	2	M 414	(1)	996 362 142 02	disc wheel 11 J X 18 ET 45	/H 04-	2	C 4-S M 416
(1)	996 362 124 02	disc wheel 7 J X 17 ET 50	/V 02-	2	M 392	(1)	996 362 140 01	disc wheel 10 J X 18 ET 47 for winter use	/H 02	2	M 415 C 4-S
(1)	996 362 136 01	disc wheel 8 J X 18 ET 50	/V 02-	2	C 4-S M 415	(1)	996 362 140 02	disc wheel 10 J X 18 ET 47 for winter use	/H 03-	2	M 415 C 4-S
(1)	996 362 136 02	disc wheel 8 J X 18 ET 50	/V 04-	2	C 4-S M 416	(1)	996 362 126 05	disc wheel 8,5 J X 17 ET 50 for winter use	/H	2	
(1)	996 362 136 03	disc wheel 8 J X 18 ET 50	/V 02-	2	M 411	(1)	996 362 140 04	disc wheel 10 J X 18 ET65	/H 03-	2	M 415
(1)	993 362 136 08	disc wheel 8 J X 18 ET 52	/V 02-	2	M 414	(1)	996 362 140 07	disc wheel 10 J X 18 ET 65	/H 04	2	M 417
(1)	996 362 136 01	disc wheel 8 J X 18 ET 50	/V 03-	2	M 415	2	900 265 001 50	valve rubber		4	M 396 M 392
(1)	996 362 128 01	disc wheel 9 J X 17 ET 55	/H 99-	2	M 399	(2)	993 361 073 00	valve steel		4	M 408
(1) A	993 362 140 07	disc wheel 10 J X 18 ET 65	/H 00-	2	M 414	(2)	993 361 073 00	valve steel	02-	4	XRC
(1)	993 362 140 08	disc wheel 10 J X 18 ET 65	/H 00-	2	M 414	3	901 361 410 50	balance stick-on weight 5 G.	-03	X	
(1)	996 362 128 02	disc wheel 9 J X 17 ET 55	/H 02-	2	M 392	(3)	1K0 601 178 C	balance stick-on weight 5 G.	04-	X	
						(3)	901 361 410 00	balance stick-on weight 10 G.	-03	X	

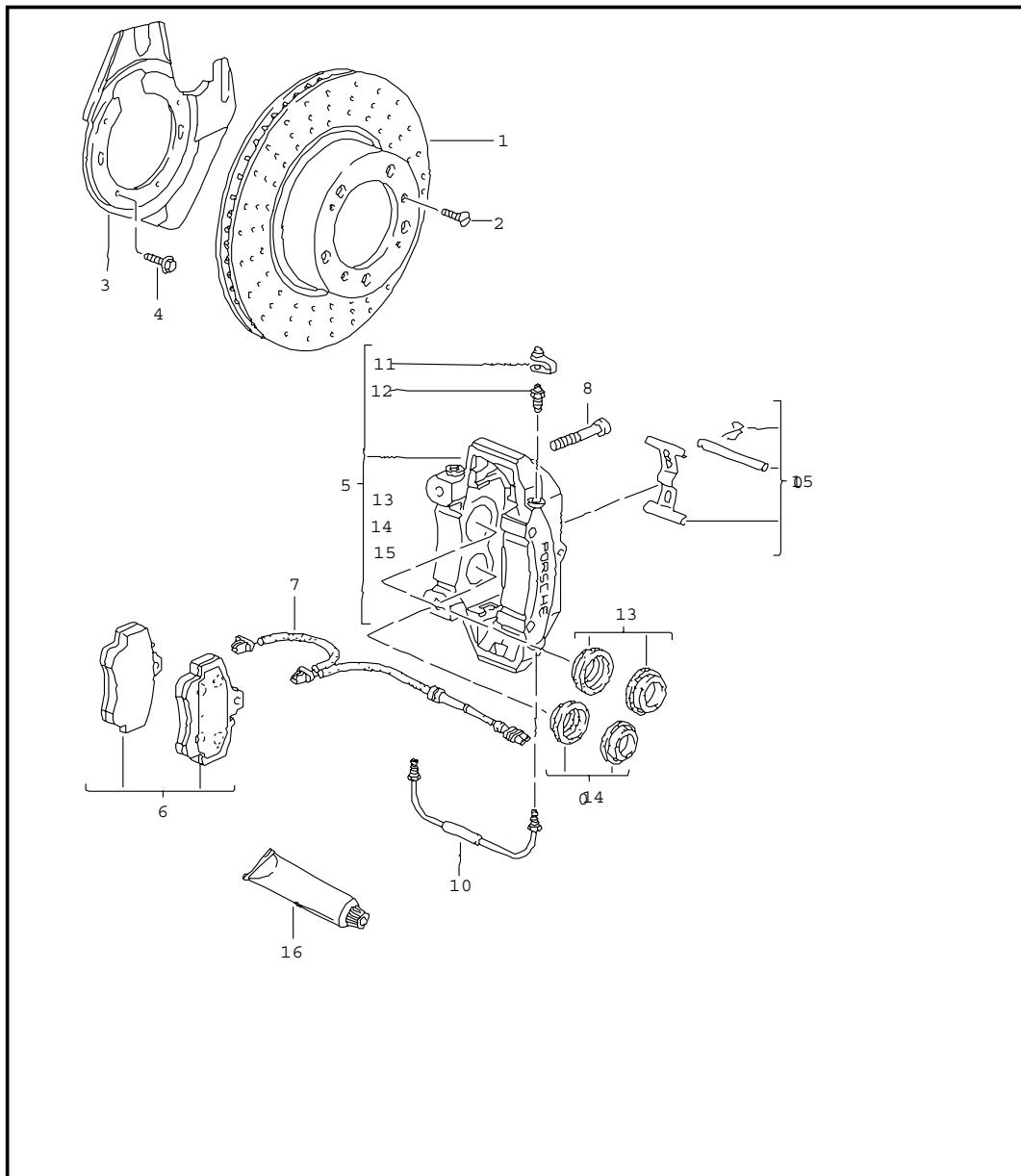
Model	Year	MG	SG	Illustration	Restrictions	Update	12:35	23.08.2006	PORSCHE	PET	PORSCHE
996	05	6	01	601-00		203					

Pos	Part Number	Name	Remarks	Qty	Model	Pos	Part Number	Name	Remarks	Qty	Model
(3)	1K0 601 179 C	balance stick-on weight 10 G.	04-	X		(3)	901 361 415 00	balance stick-on weight 60 G.	-03	X	
(3)	901 361 411 50	balance stick-on weight 15 G.	-03	X		(3)	1K0 601 190 C	balance stick-on weight 60 G.	04-	X	
(3)	1K0 601 181 C	balance stick-on weight 15 G.	04-	X		4	996 361 057 00	wheel bolt anti-theft protection 1 set	-00	1	
(3)	901 361 411 00	balance stick-on weight 20 G.	-03	X		(4) A	996 361 057 01	wheel bolt anti-theft protection 1 set	-03	1	
(3)	1K0 601 182 C	balance stick-on weight 20 G.	04-	X		(4)	996 361 057 02	wheel bolt anti-theft protection 1 set	04-	1	
(3)	901 361 412 50	balance stick-on weight 25 G.	-03	X		(4) A	996 361 057 90	wheel bolt anti-theft protection 1 set	-03	1	XRP
(3)	1K0 601 183 C	balance stick-on weight 25 G.	04-	X		(4)	996 361 980 02	wheel bolt anti-theft protection 1 set	04-	1	XRP
(3)	901 361 412 00	balance stick-on weight 30 G.	-03	X		5 A	996 361 203 00	wheel bolt	-00	16	
(3)	1K0 601 184 C	balance stick-on weight 30 G.	04-	X		(5) A	996 361 203 01	wheel bolt see technical information GRUPPE 4 NR.10/03	-03	16	
(3)	901 361 413 50	balance stick-on weight 35 G.	-03	X		(5)	996 361 203 02	wheel bolt see technical information GRUPPE 4 NR.10/03	04-	16	
(3)	1K0 601 185 C	balance stick-on weight 35 G.	04-	X		(5) A	996 361 203 90	wheel bolt see technical information GRUPPE 4 NR.10/03	-03	16	XRP
(3)	901 361 413 00	balance stick-on weight 40 G.	-03	X		(5)	996 361 980 00	wheel bolt see technical information GRUPPE 4 NR.10/03	04-	16	XRP
(3)	1K0 601 186 C	balance stick-on weight 40 G.	04-	X		-	999 182 003 36	wheel nut	01	10	XRN
(3)	901 361 414 50	balance stick-on weight 45 G.	-03	X		-	999 182 003 36	wheel nut	02-	10	XRN/C 4-S
(3)	1K0 601 187 C	balance stick-on weight 45 G.	04-	X		6	993 361 303 05	hub cap	-99	4	M 338
(3)	901 361 414 00	balance stick-on weight 50 G.	-03	X			61M	silver			
(3)	1K0 601 188 C	balance stick-on weight 50 G.	04-	X		(6)	993 361 303 11	hub cap	00	4	M 338
(3)	901 361 415 50	balance stick-on weight 55 G.	-03	X							
(3)	1K0 601 189 C	balance stick-on weight 55 G.	04-	X							

Model	Year	MG	SG	Illustration	Restrictions	Update	12:35	23.08.2006	PORSCHE	PET	PORSCHE
996	05	6	01	601-00		203					

Pos	Part Number	Name	Remarks	Qty	Model	Pos	Part Number	Name	Remarks	Qty	Model
	61M	silver						- - - E N D - - -			
(6)	993 361 303 11	hub cap	02-	4	M 338						
	9A1	silver									
(6)	996 361 303 05	hub cap	99	4	M 339						
	9A1	silver									
(6)	996 361 303 10	hub cap	00-	4	M 339						
	9A1	silver									
(6) A	993 361 303 09	hub cap	-99	4	M 446						
	92T	arctic silver metallic emblem coloured									
(6)	993 361 303 10	hub cap	00-	4	M 446						
	9A1	silver emblem coloured									
(6) U	993 361 303 07	hub cap polished	00-	4	M 094						
(6)	996 361 303 09	hub cap polished	00-	4	M 094						
(6)	996 361 306 00	hub cap	02-	4	C 4-S						
	9A1	silver									
(6)	996 361 303 12	hub cap	04	4	M 417						
7	996 362 030 00	emergency wheel		1	M 338						
(7)	996 362 050 00	emergency wheel	-03	1	M 339						
(7)	996 362 050 01	emergency wheel	04-	1	M 339						
(7) A	996 362 020 01	emergency wheel	03-	1	C 4-S M 450						
(7)	996 362 020 03	emergency wheel	04-	1	C 4-S M 450						
-	996 652 053 00	compressor for emergency wheel		1							
-	996 361 411 00	belt for emergency wheel	03-	1	C 4-S M 450						

Model	Year	MG	SG	Illustration	Restrictions	Update	12:36	23.08.2006	PORSCHE	PET	PORSCHE
996	05	6	02	602-00		203					



Pos	Part Number	Name	Remarks	Qty	Model
		disc brake front axle			
		brake disc only in pairs replace			
1	A 996 351 405 00	brake disc	/L	1	
(1)	996 351 405 01	brake disc	/L	1	
(1)	996 351 409 02	brake disc	/L 02-	1	C 4-S
(1)	> 996 351 031 02	brake disc	/L -04	1	C 4-S M 450
(1)	> 996 351 031 03	brake disc	/L 05-	1	C 4-S M 450
(1)	A 996 351 406 00	brake disc	/R	1	
(1)	996 351 406 01	brake disc	/R	1	
(1)	996 351 410 02	brake disc	/R 02-	1	C 4-S
(1)	> 996 351 032 02	brake disc	/R -04	1	C 4-S M 450
(1)	> 996 351 032 03	brake disc	/R 05-	1	C 4-S M 450
2	900 269 047 09	countersunk-head screw M 6 X 12		4	
(2)	900 269 106 09	countersunk-head screw M 6 X 16	01-	4	XRP
3	996 351 081 03	protective plate F >>99XS6 01169 F >>99XS6 01376 F >>99XS6 40765 F >>99XS6 40773	/L	2	
(3)	996 351 082 03	protective plate F >>99XS6 01169 F >>99XS6 01376 F >>99XS6 40765 F >>99XS6 40773	/R	2	
(3)	996 351 801 04	protective plate F 99XS6 01170>> F 99XS6 01377>> F 99XS6 40766>> F 99XS6 40774>>	/L	1	

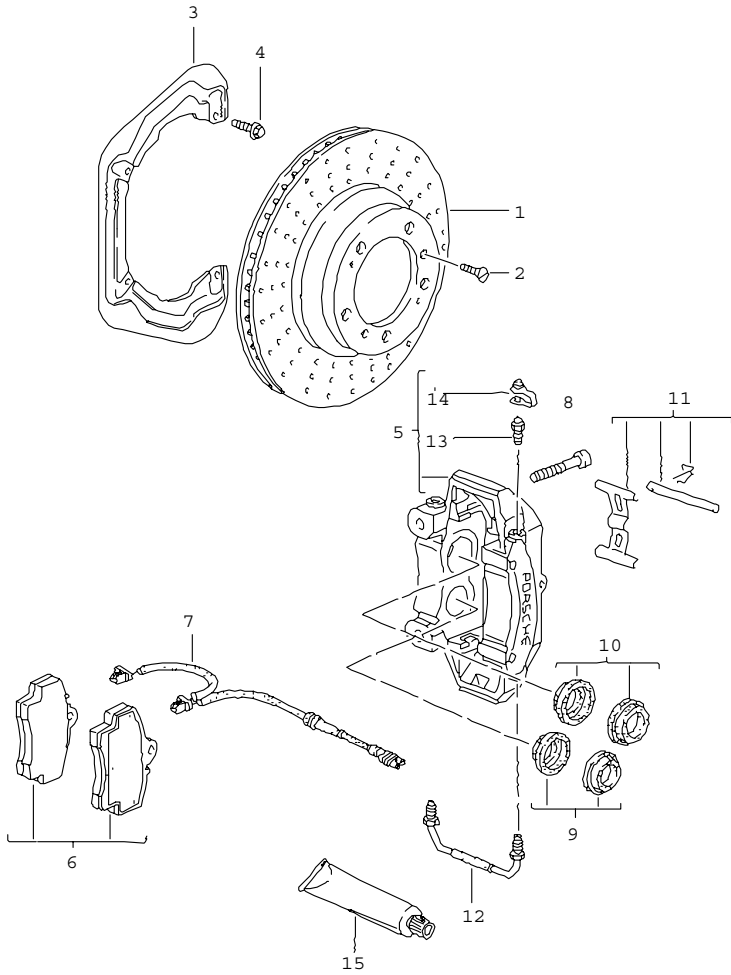
Model	Year	MG	SG	Illustration	Restrictions	Update	12:36	23.08.2006	PORSCHE	PET	PORSCHE
996	05	6	02	602-00		203					

Pos	Part Number	Name	Remarks	Qty	Model	Pos	Part Number	Name	Remarks	Qty	Model
(3)	996 351 802 04	protective plate F 99XS6 01170>> F 99XS6 01377>> F 99XS6 40766>> F 99XS6 40774>>	/R	1		(6)	996 352 949 03	set of brake pads		1	
(3)	996 351 805 00	protective plate	/L 02-	1	C 4-S	(6)	996 351 949 12	set of brake pads	02-	1	C 4-S
(3)	996 351 805 00	protective plate	/L 03-	1	C 4-S M 450	(6)	996 351 947 01	set of brake pads use also: mounting parts see technical manual group 46 Nr.3619	03-	1	C 4-S M 450
(3)	996 351 806 00	protective plate	/R 02-	1	C 4-S	(6)	997 351 948 00	set of brake pads use also: mounting parts see technical manual group 46 Nr.3619	03-	1	C 4-S M 450
(3)	996 351 806 00	protective plate	/R 03-	1	C 4-S M 450						
4	999 217 116 09	hexagon-head bolt M 6 X 16		X							
5	996 351 425 01	fixed calliper without pad	/L	1		-	996 351 088 01	damping plate		4	
(5)	996 351 426 01	fixed calliper without pad	/R	1		-	996 351 089 00	damping plate	02-	4	C 4-S
(5)	996 351 425 21	fixed calliper without pad F >>99YS6 02736 F >>99YS6 21335	/L 99-	1	M 339	-	996 352 086 01	damping plate see technical manual group 46 Nr.3619	03-	6	C 4-S M 450
(5)	996 351 425 22	fixed calliper without pad F 99YS6 02737>> F 99YS6 21336>>	/L 00-	1	M 339	7	996 612 365 00	warning contact		2	
(5)	996 351 429 10	fixed calliper without pad	/L 02-	1	C 4-S	(7)	996 612 347 00	warning contact	03-	2	C 4-S M 450
(5)	996 351 431 30	fixed calliper without pad	/L 03-	1	C 4-S M 450	-	999 507 464 40	clip		2	
(5)	996 351 426 21	fixed calliper without pad F >>99YS6 02736 F >>99YS6 21335	/R 99-	1	M 339	-	944 612 627 00	cable holder for warning contact		2	
(5)	996 351 426 22	fixed calliper without pad F 99YS6 02737>> F 99YS6 21336>>	/R 00-	1	M 339	8	999 067 041 09	pan-head screw M 12 X 1,5 X 72		4	
(5)	996 351 430 10	fixed calliper without pad	/R 02-	1	C 4-S	8	999 067 050 09	pan-head screw M 12 X 1.5 X 77	02-	4	C 4-S
(5)	996 351 432 30	fixed calliper without pad	/R 03-	1	C 4-S M 450	(8)	999 067 047 09	pan-head screw M 12 X 1,5 X 85	03-	4	C 4-S M 450
6 A	996 352 949 02	set of brake pads		1		10	996 351 961 00	connecting line	/L	1	
						(10)	996 351 961 11	connecting line	/L 02-	1	C 4-S
						(10)	996 351 961 30	connecting line	/L 03-	1	C 4-S M 450
						(10)	996 351 962 00	connecting line	/R	1	

Model	Year	MG	SG	Illustration	Restrictions	Update	12:36	23.08.2006	PORSCHE	PET	PORSCHE
996	05	6	02	602-00		203					

Pos	Part Number	Name	Remarks	Qty	Model	Pos	Part Number	Name	Remarks	Qty	Model
(10)	996 351 962 11	connecting line	/R 02-	1	C 4-S						
(10)	996 351 961 30	connecting line	/R 03-	1	C 4-S M 450						
11	930 351 919 00	ventilation valve		2							
12	930 351 927 00	cap		2							
13	951 351 917 01	repair kit protection caps 40 MM \$		2							
(13)	928 351 917 00	repair kit protection caps 44 MM \$	02-	2	C 4-S						
14	951 351 917 00	repair kit protection caps 36 MM \$		2							
-	996 351 915 01	repair kit protection caps 38 MM \$	03-	2	C 4-S M 450						
-	996 351 915 00	repair kit protection caps 32 MM \$	03-	2	C 4-S M 450						
-	951 352 917 00	repair kit protection caps 28 MM \$	03-	2	C 4-S M 450						
15	996 351 959 01	repair kit mounting parts bolt expanding spring securing clip		1 2 2 2							
(15)	996 351 959 11	repair kit mounting parts bolt expanding spring securing clip	02-	1	C 4-S						
(15)	996 351 959 30	repair kit mounting parts	03-	1	C 4-S M 450						
16	000 043 117 00	brake cylinder paste 50 G		X							
16	000 043 020 00	OPTIMOLY 100 G		X							
		- - - E N D - - -									

Model	Year	MG	SG	Illustration	Restrictions	Update	12:36	23.08.2006	PORSCHE	PET	PORSCHE
996	05	6	03	603-00		203					



Pos	Part Number	Name	Remarks	Qty	Model
		disc brake rear axle			
		brake disc only in pairs replace			
1	A 996 352 401 03	brake disc		2	
(1)	996 352 401 04	brake disc		2	
(1)	A 996 352 401 05	brake disc		2	
(1)	996 352 405 00	brake disc	/L 02-	1	C 4-S
(1)	> 996 352 031 02	brake disc	/L -04	1	C 4-S M 450
(1)	996 352 031 03	brake disc	/L 05-	1	C 4-S M 450
(1)	996 352 406 00	brake disc	/R 02-	1	C 4-S
(1)	> 996 352 032 02	brake disc	/R -04	1	C 4-S M 450
(1)	996 352 032 03	brake disc	/R 05-	1	C 4-S M 450
2	900 269 047 09	countersunk-head screw M 6 X 12		4	
(2)	900 269 106 09	countersunk-head screw M 6 X 16	01-	4	XRP
3	996 352 801 01	protective plate		2	
(3)	996 352 801 03	protective plate	02-	2	C 4-S
(3)	996 352 801 03	protective plate	03-	2	C 4-S M 450
4	999 217 116 09	hexagon-head bolt M 6 X 16		X	
5	996 352 421 03	fixed calliper without pad	/L	1	M 338
(5)	996 352 421 23	fixed calliper without pad F >>99YS6 02736 F >>99YS6 21335	/L 99-	1	M 339
(5)	996 352 421 24	fixed calliper without pad F 99YS6 02737>> F 99YS6 21336>>	/L 00-	1	M 339

Model	Year	MG	SG	Illustration	Restrictions	Update	12:36	23.08.2006	PORSCHE	PET	PORSCHE
996	05	6	03	603-00		203					

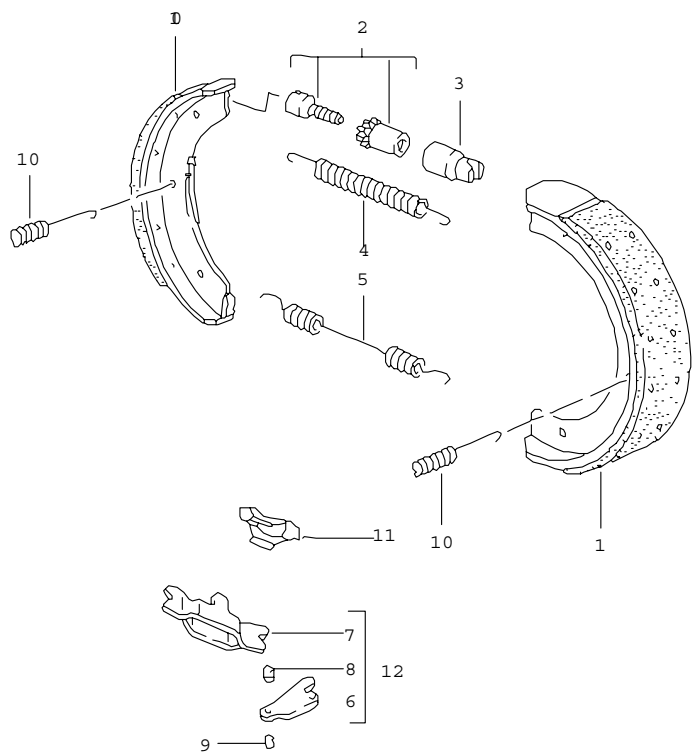
Pos	Part Number	Name	Remarks	Qty	Model	Pos	Part Number	Name	Remarks	Qty	Model
(5)	996 352 425 60	fixed calliper without pad	/L 02-	1	C 4-S	-	996 352 086 01	damping plate 28 MM \$	03-	8	C 4-S M 450
(5)	996 352 423 30	fixed calliper without pad	/L 03-	1	C 4-S M 450			see technical manual group 46 Nr.3819			
(5)	996 352 422 03	fixed calliper without pad	/R	1	M 338	7	996 612 365 00	warning contact		2	
(5)	996 352 422 23	fixed calliper without pad	/R 99-	1	M 339	(7)	996 612 348 00	warning contact	03-	2	C 4-S M 450
		F >>99YS6 02736 F >>99YS6 21335				8	999 067 041 09	pan-head screw M 12 X 1,5 X 72		4	
(5)	996 352 422 24	fixed calliper without pad	/R 00-	1	M 339	(8)	999 067 050 09	pan-head screw M 12 X 1,5 X 77	02-	4	C 4-S
		F 99YS6 02737>> F 99YS6 21336>>				(8)	999 067 047 09	pan-head screw M 12 X 1,5 X 85	03-	4	C 4-S M 450
(5)	996 352 426 60	fixed calliper without pad	/R 02-	1	C 4-S	-	944 612 627 00	cable holder for warning contact		2	
(5)	996 352 424 30	fixed calliper without pad	/R 03-	1	C 4-S M 450	9	951 352 917 01	repair kit protection caps 30 MM \$		2	
6	996 352 939 03	set of brake pads		1		10	951 352 917 00	repair kit protection caps 28 MM \$		2	
(6) A	996 352 949 02	set of brake pads	-04	1	C 4-S	11	996 352 959 01	repair kit mounting parts bolt expanding spring securing clip		1 2 2 2	
(6)	996 352 949 03	set of brake pads	05-	1	C 4-S	(11)	996 351 959 01	repair kit mounting parts bolt expanding spring securing clip	02-	1	C 4-S
(6)	996 352 947 01	set of brake pads see technical manual group 46 Nr.3819 use also: mounting parts	03-	1	C 4-S M 450	(11)	996 351 959 01	repair kit mounting parts bolt expanding spring securing clip	03-	1	C 4-S M 450
-	964 352 096 01	damping plate 28 MM \$		4		12	996 352 961 00	connecting line	/L	1	
-	964 352 096 00	damping plate 30 MM \$		4		(12)	996 351 962 00	connecting line	/L 02-	1	C 4-S
						(12)	996 352 961 30	connecting line	/L 03-	1	C 4-S M 450



Model	Year	MG	SG	Illustration	Restrictions	Update	12:36	23.08.2006	PORSCHE	PET	PORSCHE
996	05	6	03	603-00		203					

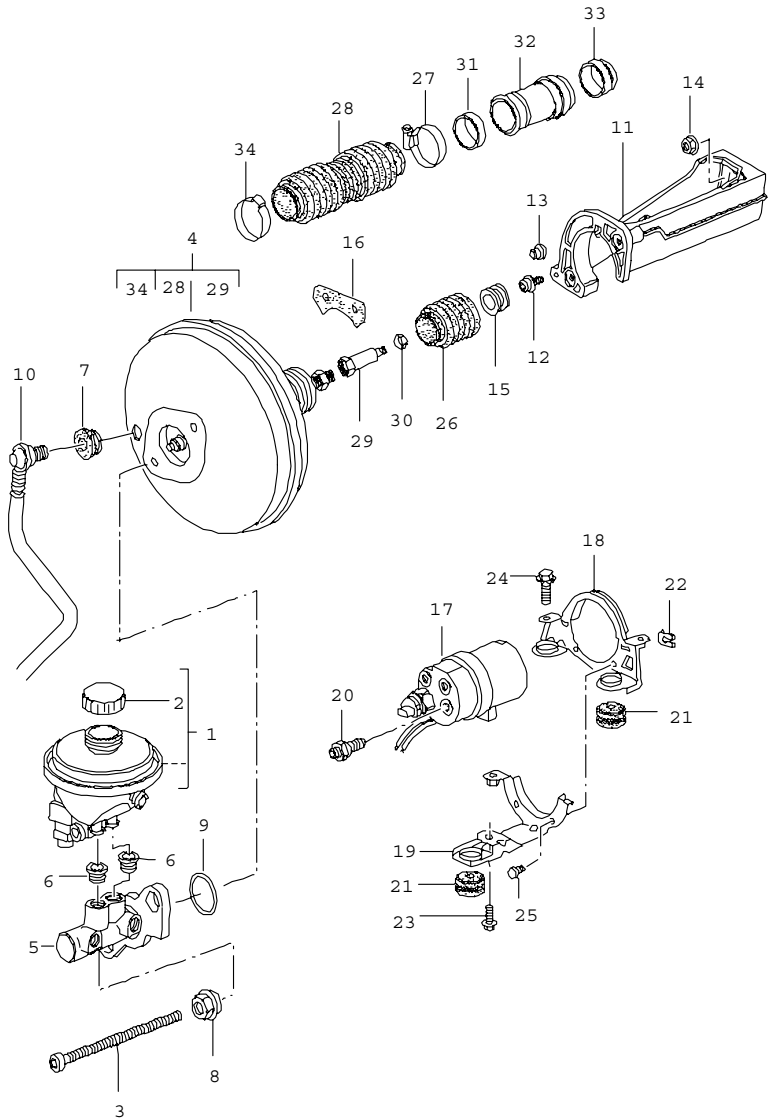
Pos	Part Number	Name	Remarks	Qty	Model	Pos	Part Number	Name	Remarks	Qty	Model
(12)	996 352 962 00	connecting line	/R	1							
(12)	996 351 961 00	connecting line	/R 02-	1	C 4-S						
(12)	996 352 961 30	connecting line	/R 03-	1	C 4-S M 450						
13	930 351 919 01	ventilation valve		4							
14	930 351 927 00	cap		4							
15	000 043 117 00	brake cylinder paste 50 G		X							
(15)	000 043 020 00	OPTIMOLY 100 G		X							
		- - - E N D - - -									

Model	Year	MG	SG	Illustration	Restrictions	Update	12:36	23.08.2006	PORSCHE	PET	PORSCHE
996	05	6	03	603-05		203					



Pos	Part Number	Name	Remarks	Qty	Model
		handbrake			
1	928 352 097 10	brake shoe	-02	4	
(1)	996 352 993 02	brake shoe 1 set	03-	1	
2	911 352 098 00	adjusting screw		2	
3	911 352 944 00	bush		2	
4	997 352 721 00	tension spring short		2	
5	996 352 723 00	tension spring long		2	
6	928 352 441 01	actuating lever		2	
7	928 352 443 01	clip		2	
8	993 352 735 00	bolt		2	
9	993 352 737 00	bolt		2	
10	996 352 741 00	compression spring		4	
11	996 352 807 00	supporting plate		2	
12	993 352 073 00	push-button lock complete		2	
		- - - E N D - - -			

Model	Year	MG	SG	Illustration	Restrictions	Update	12:36	23.08.2006	PORSCHE	PET	PORSCHE
996	05	6	04	604-00		203					



Pos	Part Number	Name	Remarks	Qty	Model
-	000 043 204 66	brake master cylinder brake booster pre-charge pump modification kit seal brake booster comprising: 999.512.672.00 996.423.269.05 999.512.478.00 996.355.911.00 996.355.909.00 996.355.907.00 996.355.927.01 900.380.015.09 F >>99YS6 00595 F >>99YS6 40393 see technical information group 4 NR.11/01		1	
1	996 355 013 00	brake fluid reservoir	-03	1	M 480/338
(1)	996 355 013 01	brake fluid reservoir	04-	1	M 480/338
(1)	996 355 013 20	brake fluid reservoir	-03	1	M 249/338
(1)	996 355 013 21	brake fluid reservoir	04-	1	M 249/338
(1) A	996 355 013 46	brake fluid reservoir	99	1	M 480/339
(1)	996 355 013 47	brake fluid reservoir	99	1	M 249/339
(1) A	996 355 013 44	brake fluid reservoir	00	1	M 480/476
(1) A	996 355 013 46	brake fluid reservoir	-03	1	M 480/476
(1)	996 355 013 48	brake fluid reservoir	04-	1	M 480/338
(1) A	996 355 013 45	brake fluid reservoir	00	1	M 249/476
(1)	996 355 013 47	brake fluid reservoir	-03	1	M 249/476
(1)	996 355 013 49	brake fluid reservoir	04-	1	M 249/476
2	996 355 119 01	screw cap	-03	1	
- A	996 355 125 00	contacts for brake fluid reservoir 996.355.013.00 996.355.013.20	-03	1	

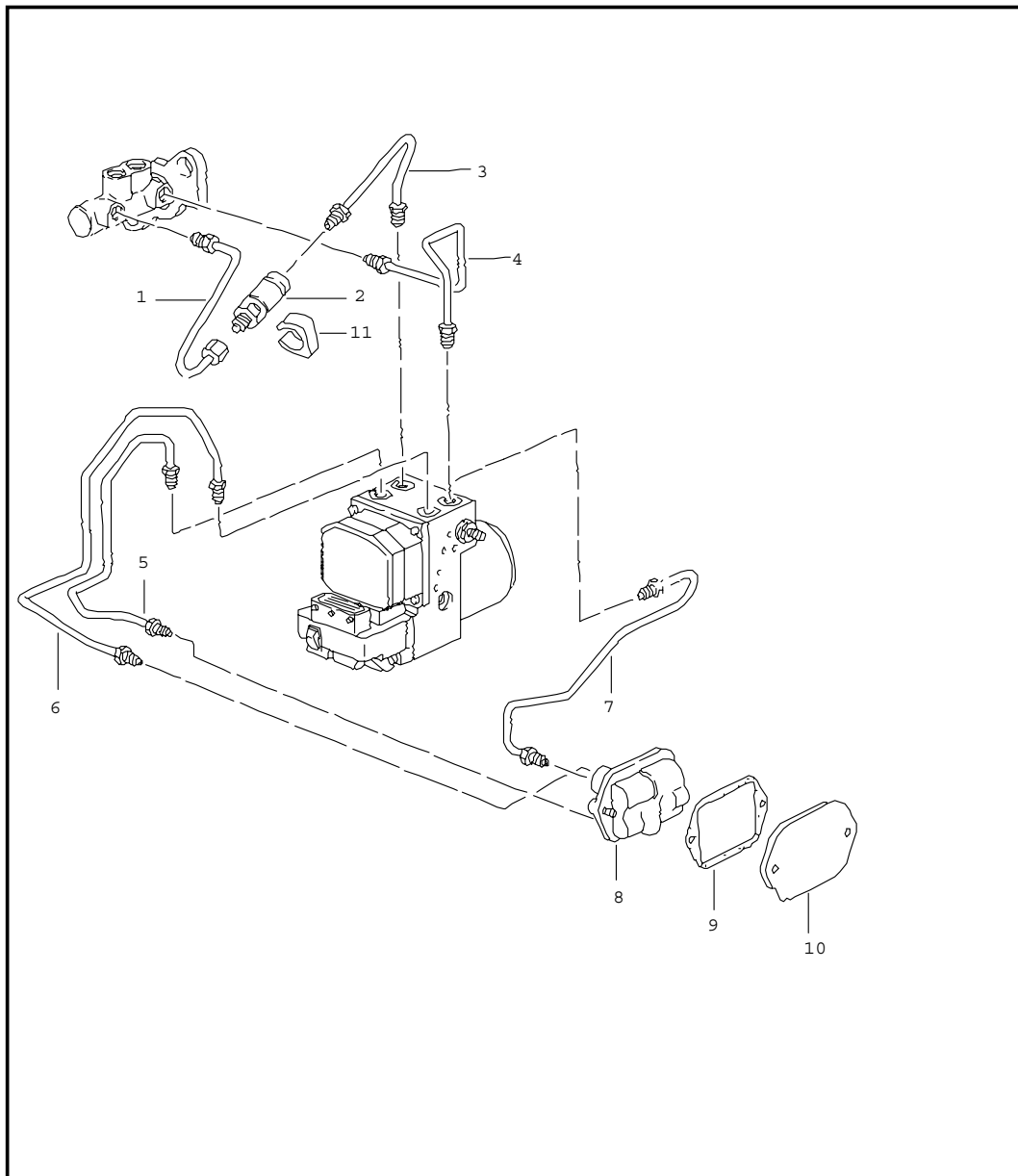
Model	Year	MG	SG	Illustration	Restrictions	Update	12:36	23.08.2006	PORSCHE	PET	PORSCHE
996	05	6	04	604-00		203					

Pos	Part Number	Name	Remarks	Qty	Model	Pos	Part Number	Name	Remarks	Qty	Model
-	996 355 125 02	contacts for brake fluid reservoir 996.355.013.00/01 996.355.013.20/21	04-	1		(10)	996 355 577 43	vacuum line	/LL 04-	1	M 339/476
						(10)	996 355 578 42	vacuum line	/RL -03	1	M 339/476
						(10)	996 355 578 43	vacuum line	/RL 04-	1	M 339/476
-	996 355 125 01	contacts for brake fluid reservoir 996.355.013.44 996.355.013.45 996.355.013.46 996.355.013.47 996.355.013.48 996.355.013.49		1		11	996 423 251 01	intermediate piece		1	
						12	900 067 240 02	screw M 6 X 12 Z1		2	
						13	999 703 448 50	plug	/R	1	
						14	900 380 005 09	hexagon nut M 8		2	
3	999 073 124 09	pan-head screw M 8 X 154 X 80		2		15	U 996 355 221 00	grommet F >>99YS6 00595 F >>99YS6 40393 see technical information group 4 NR.11/01		1	
4	996 355 923 00	brake booster		1							
-	996 355 137 01	cap threaded joint brake booster		1		16	996 423 301 00	gasket		1	
5	996 355 910 00	brake master cylinder		1	M 338	-	996 355 901 01	gasket brake booster bulkhead		1	
(5)	996 355 910 40	brake master cylinder	99- 00-	1	M 339						
				1	M 338/476						
(5)	996 355 910 50	brake master cylinder	02-	1	C 4-S	17	996 355 975 40	pre-charge pump	99	1	M 339
6	993 355 922 00	gasket		2		(17)	996 355 975 41	pre-charge pump	00-	1	M 476
7	999 702 182 40	gasket		1		-	999 512 390 00	hose clamp 60-80/13	00	1	M 476
8	997 355 925 00	hexagon nut		2		-	999 507 688 40	cable clamp wiring harness pre-charge pump		1	
9	996 355 912 00	sealing ring		1							
(10)	996 355 577 02	vacuum line	/LL	1	M 338	18	996 355 273 40	support	99-	1	M 339
(10)	996 355 578 04	vacuum line	/RL	1	M 338	(18)	996 355 183 40	support	00-	1	M 338
(10)	996 355 577 40	vacuum line	/LL 99-	1	M 339	19	996 355 170 40	support	99-	1	M 339
(10)	996 355 578 42	vacuum line	/RL 99-	1	M 339	20	996 355 635 40	adapter	99-	1	M 339
(10)	996 355 577 42	vacuum line	/LL 00-	1	M 338/476	21	964 356 635 00	rubber mounting	99-	3	
(10)	996 355 577 43	vacuum line	/LL 04-	1	M 338/476	-	999 045 004 40	plastic nut		3	
(10)	996 355 578 05	vacuum line	/RL 00-	1	M 338/476	22	999 166 080 02	lock	99-	3	M 339
(10)	996 355 578 06	vacuum line	/RL 04-	1	M 338/476	23	900 378 036 09	hexagon-head bolt M 6 X 12	99-	1	M 339
(10)	996 355 577 42	vacuum line	/LL -03	1	M 339/476						

Model	Year	MG	SG	Illustration	Restrictions	Update	12:36	23.08.2006	PORSCHE	PET	PORSCHE
996	05	6	04	604-00		203					

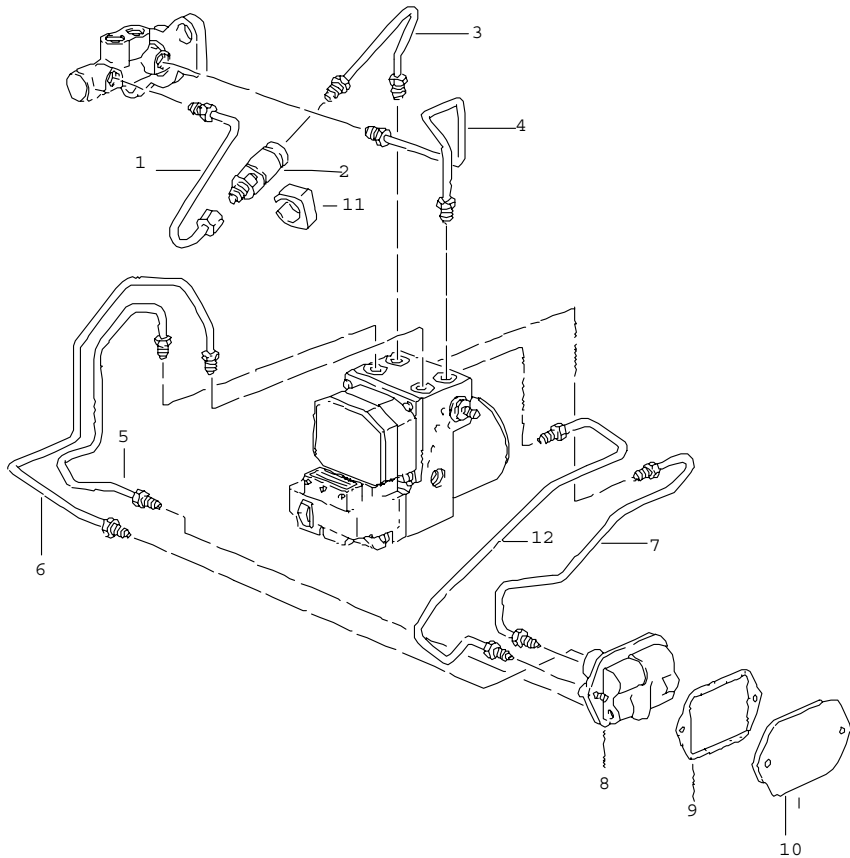
Pos	Part Number	Name	Remarks	Qty	Model	Pos	Part Number	Name	Remarks	Qty	Model
24	900 378 035 09	hexagon-head bolt M 6 X 16	99-	2	M 339	33	996 355 907 00	sealing rubber firewall F >>99YS6 00595 F >>99YS6 40393 see technical information group 4 NR.11/01		1	
25	996 355 559 00	bolt		2							
26	U 996 355 930 00	bellows F >>99YS6 00595 F >>99YS6 40393 see technical information group 4 NR.11/01		1		(33)	999 512 672 00	clamp F >>99YS6 00595 F >>99YS6 40393 see technical information group 4 NR.11/01		1	
27	999 512 478 00	hose clamp F >>99YS6 00595 F >>99YS6 40393 see technical information group 4 NR.11/01		1		34	999 512 672 00	clamp F 99YS6 00596>> F 99YS6 40394>>		1	
(27)	999 512 478 00	hose clamp F 99YS6 00596>> F 99YS6 40394>>		1				- - - E N D - - -			
28	U 996 423 269 04	bellows F >>99YS6 00595 F >>99YS6 40393 see technical information group 4 NR.11/01		1							
(28)	996 423 269 05	bellows F 99YS6 00596>> F 99YS6 40394>>		1							
29	996 355 927 01	connecting piece		1							
30	900 380 015 09	hexagon nut M 6		1							
31	996 355 911 00	sealing ring F >>99YS6 00595 F >>99YS6 40393 see technical information group 4 NR.11/01		1							
32	996 355 909 00	connecting piece F >>99YS6 00595 F >>99YS6 40393 see technical information group 4 NR.11/01		1							

Model	Year	MG	SG	Illustration	Restrictions	Update	12:36	23.08.2006	PORSCHE	PET	PORSCHE
996	05	6	04	604-05		203					



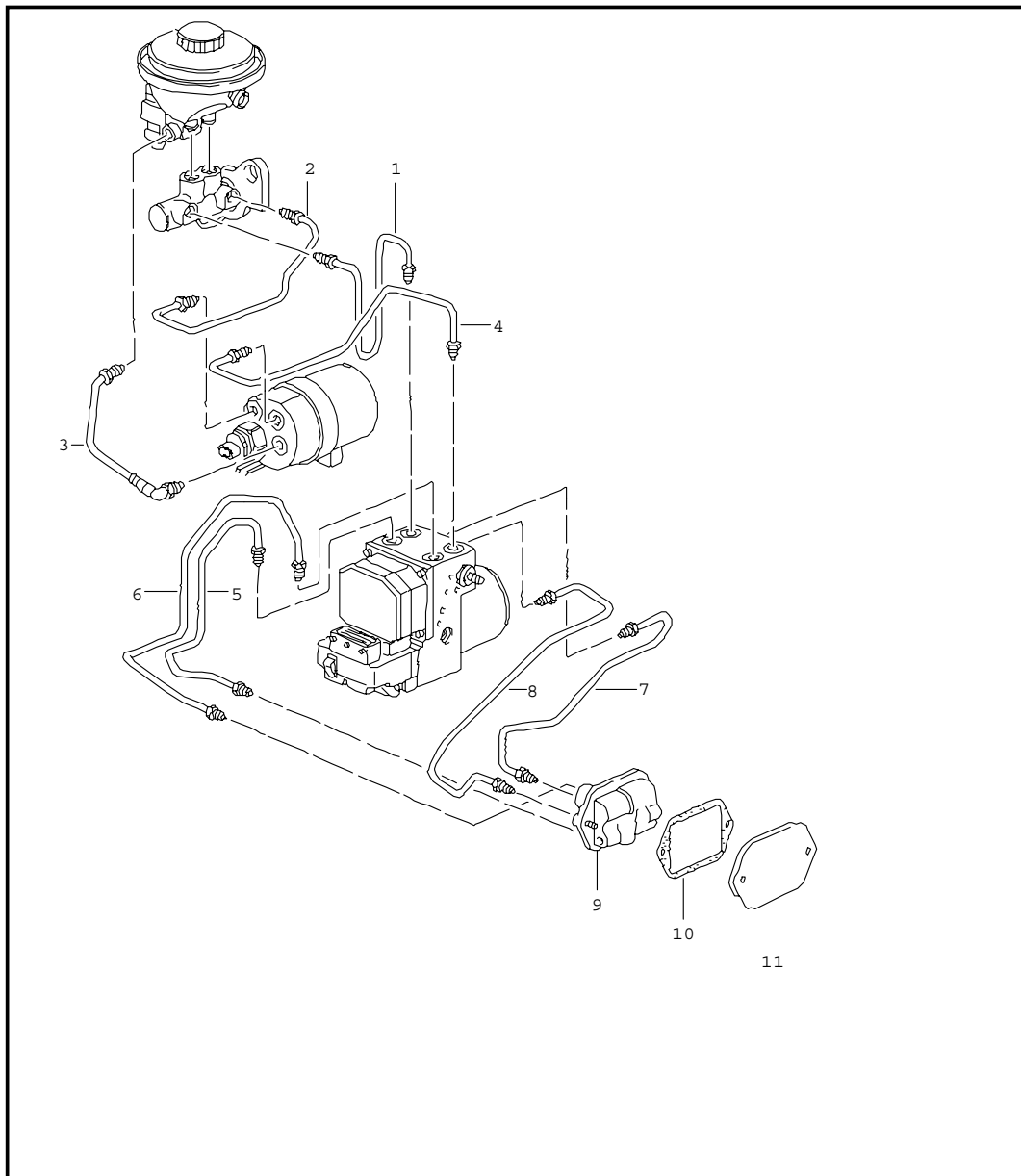
Pos	Part Number	Name	Remarks	Qty	Model
		brake lines body front section			
1	996 355 309 01	pressure line	/LL -01	1	
(1)	996 355 308 04	pressure line	/RL -01	1	
2	996 355 305 00	regulator	-01	1	
3	996 355 311 02	pressure line	/LL -01	1	
(3)	996 355 311 42	pressure line	/LL 02-	1	
(3)	996 355 310 03	pressure line	/RL -01	1	
(3)	996 355 320 42	pressure line	/RL 02-	1	
4	996 355 313 02	pressure line	/LL -01	1	
(4)	996 355 313 03	pressure line	/LL 02-	1	
(4)	996 355 314 03	pressure line	/RL -01	1	
(4)	996 355 314 04	pressure line	/RL 02-	1	
5	996 355 315 02	pressure line	-01	1	
(5)	996 355 315 43	pressure line	02-	1	
6	996 355 327 03	pressure line	-01	1	
(6)	996 355 327 43	pressure line	02-	1	
7	996 355 326 04	pressure line	-01	1	
(7)	996 355 326 40	pressure line	02-	1	
8	996 355 650 02	intermediate piece		1	
9	996 355 752 01	gasket	-01	1	
9	996 355 752 01	gasket	02-	1	
10	996 355 753 00	reinforcement		1	
11	999 651 292 40	support		1	
		- - - E N D - - -			

Model	Year	MG	SG	Illustration	Restrictions	Update	12:37	23.08.2006	PORSCHE	PET	PORSCHE
996	05	6	04	604-08		203					



Pos	Part Number	Name	Remarks	Qty	Model
		brake lines body front section	-99		M 222/224 M 338
1	996 355 309 01	pressure line	/LL	1	
(1)	996 355 308 04	pressure line	/RL	1	
2	996 355 305 00	regulator		1	
3	996 355 311 02	pressure line	/LL	1	
(3)	996 355 310 03	pressure line	/RL	1	
4	996 355 313 02	pressure line	/LL	1	
(4)	996 355 314 03	pressure line	/RL	1	
5	996 355 315 02	pressure line		1	
6	996 355 327 03	pressure line		1	
7	996 355 326 04	pressure line		1	
8	996 355 650 27	intermediate piece		1	
9	996 355 752 00	gasket	-01	1	
10	996 355 753 00	reinforcement		1	
11	999 651 292 40	support		1	
12	996 355 316 04	pressure line		1	
		- - - E N D - - -			

Model	Year	MG	SG	Illustration	Restrictions	Update	12:37	23.08.2006	PORSCHE	PET	PORSCHE
996	05	6	04	604-09		203					



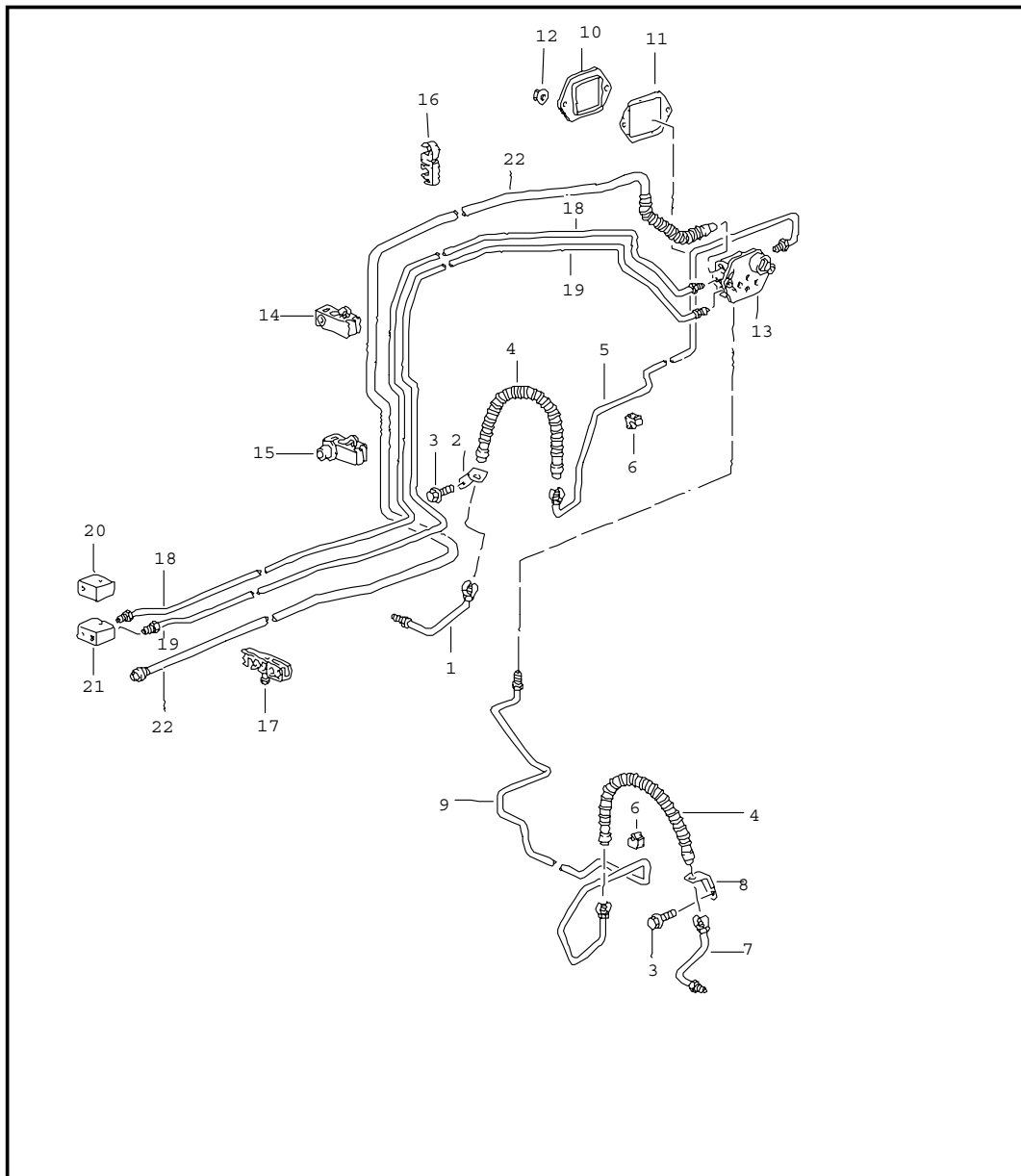
Pos	Part Number	Name	Remarks	Qty	Model
		brake lines body front section	99- 00-		M 339/476 M 338/476 M 339/476
1	996 355 311 41	pressure line	/LL 99	1	
(1)	996 355 311 42	pressure line	/LL 00-	1	
(1)	996 355 310 41	pressure line	/RL 99	1	
(1)	996 355 312 41	pressure line	/RL 00-	1	
2	996 355 307 40	pressure line		1	
3	996 355 323 41	feed line		1	
4	996 355 331 41	pressure line	/LL 99	1	
(4)	996 355 333 41	pressure line	/LL 00-	1	
(4)	996 355 328 41	pressure line	/RL 99	1	
(4)	996 355 330 41	pressure line	/RL 00-	1	
5	996 355 315 40	pressure line	99	1	
(5)	996 355 315 42	pressure line	00	1	
(5)	996 355 315 43	pressure line	01-	1	
6	996 355 327 40	pressure line	99	1	
(6)	996 355 327 42	pressure line	00	1	
(6)	996 355 327 43	pressure line	01-	1	
7	996 355 316 04	pressure line	-99	1	
(7)	996 355 316 41	pressure line	00-	1	
8	996 355 326 04	pressure line	99	1	
(8)	996 355 326 40	pressure line	00-	1	
9	996 355 650 27	intermediate piece		1	
10	996 355 752 00	gasket	-01	1	
10	996 355 752 01	gasket	02-	1	
11	996 355 753 00	reinforcement		1	
			00-		M 338/476
(1)	996 355 311 42	pressure line	/LL	1	
(1)	996 355 320 42	pressure line	/RL	1	



Model	Year	MG	SG	Illustration	Restrictions	Update					
996	05	6	04	604-09		203	12:37	23.08.2006	PORSCHE	PET	PORSCHE

Pos	Part Number	Name	Remarks	Qty	Model	Pos	Part Number	Name	Remarks	Qty	Model
(2)	996 355 353 42	pressure line	/LL	1							
(2)	996 355 354 41	pressure line	/RL	1							
(3)	996 355 321 41	pressure line	/LL	1							
(3)	996 355 322 41	pressure line	/RL	1							
(4)	996 355 357 42	pressure line	-02	1							
(4)	996 355 357 43	pressure line	03-	1							
(5)	996 355 315 42	pressure line	00	1							
(5)	996 355 315 43	pressure line	01-	1							
(6)	996 355 327 42	pressure line	00	1							
(6)	996 355 327 43	pressure line	01-	1							
(7)	996 355 316 41	pressure line		1							
(8)	996 355 326 40	pressure line		1							
		- - - E N D - - -									

Model	Year	MG	SG	Illustration	Restrictions	Update	12:37	23.08.2006	PORSCHE	PET	PORSCHE
996	05	6	04	604-10		203					

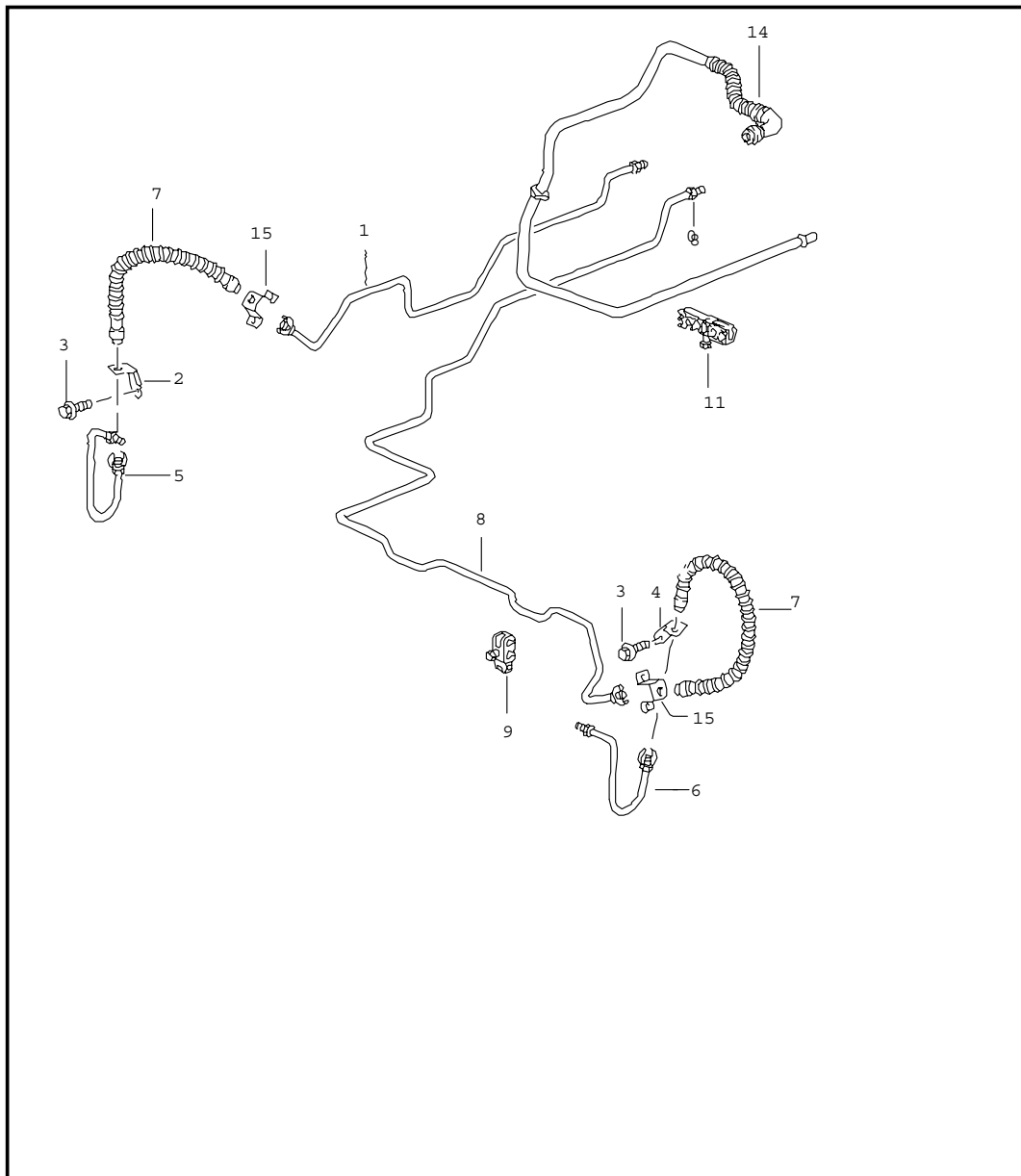


Pos	Part Number	Name	Remarks	Qty	Model
		brake lines front axle underbody vacuum line			
1	996 355 581 06	brake line	/L	1	
(1)	996 355 587 02	brake line	/L 99-	1	M 339
(1)	996 355 587 03	brake line	/L 03-	1	C 4-S M 450
2	996 355 501 06	support	/L	1	
(2)	996 355 507 04	support	/L 99-	1	M 339
(2)	996 355 507 05	support	/L 02-	1	C 4-S
3	900 067 117 09	screw M 6 X 16		2	
4	996 355 139 01	brake hose		2	
(5)	996 355 175 07	brake line F >>99WS6 06999 F >>99WS6 40804	/L	1	
(5)	996 355 175 08	brake line F 99WS6 07000>> F 99WS6 40805>>	/L	1	
(5)	996 355 175 27	brake line	/L 99-	1	M 339
(5)	996 355 175 28	brake line	/L 02-	1	M 339
6	999 591 930 40	cable holder		X	
7	996 355 584 06	brake line	/R	1	
(7)	996 355 588 02	brake line	/R 99-	1	M 339
(7)	996 355 588 03	brake line	/R 03-	1	C 4-S M 450
8	996 355 502 06	support	/R	1	
(8)	996 355 508 04	support	/R 99-	1	M 339
(8)	996 355 508 05	support	/R 02-	1	C 4-S
9	996 355 176 06	brake line F >>99WS6 06999 F >>99WS6 40804		1	
(9)	996 355 176 07	brake line F 99WS6 07000>> F 99WS6 40805>>		1	

Model	Year	MG	SG	Illustration	Restrictions	Update	12:37	23.08.2006	PORSCHE	PET	PORSCHE
996	05	6	04	604-10		203					

Pos	Part Number	Name	Remarks	Qty	Model	Pos	Part Number	Name	Remarks	Qty	Model
(9)	996 355 176 29	brake line	99-	1	M 339						
9	996 355 176 32	brake line	02-	1	M 339						
10	996 355 753 00	reinforcement		1							
11	996 355 752 01	gasket	-01	1							
(11)	996 355 752 01	gasket	02-	1							
12	900 380 015 09	hexagon nut M 6		3							
13	996 355 650 27	intermediate piece	99-	1	M 222/224						
				1	M 339						
(13)	996 355 650 02	intermediate piece		1							
14	996 355 545 00	support		3							
15	996 355 549 00	support		1							
16	996 355 547 01	support		2							
17	996 355 543 00	support		1							
18	996 355 177 06	brake line	-01	1							
(18)	996 355 177 07	brake line	02	1							
18	996 355 177 08	brake line	03-	1							
19	996 355 179 06	brake line	99-	1	M 222/224						
				1	M 339						
(19)	996 355 179 07	brake line	02	1							
19	996 355 179 08	brake line	03-	1							
20 A	996 355 660 04	connecting piece		1							
(20)	996 355 660 06	connecting piece		1							
21	996 355 760 29	connecting piece	99-	1	M 222/224						
				1	M 339						
(21)	996 355 760 31	connecting piece	03-	1	M 339						
22	996 355 571 05	vacuum line	-01	1							
(22)	996 355 571 07	vacuum line	02-	1							
-	999 230 535 40	lock connecting piece vacuum line		1							
		- - - E N D - - -									

Model	Year	MG	SG	Illustration	Restrictions	Update	12:37	23.08.2006	PORSCHE	PET	PORSCHE
996	05	6	04	604-15		203					

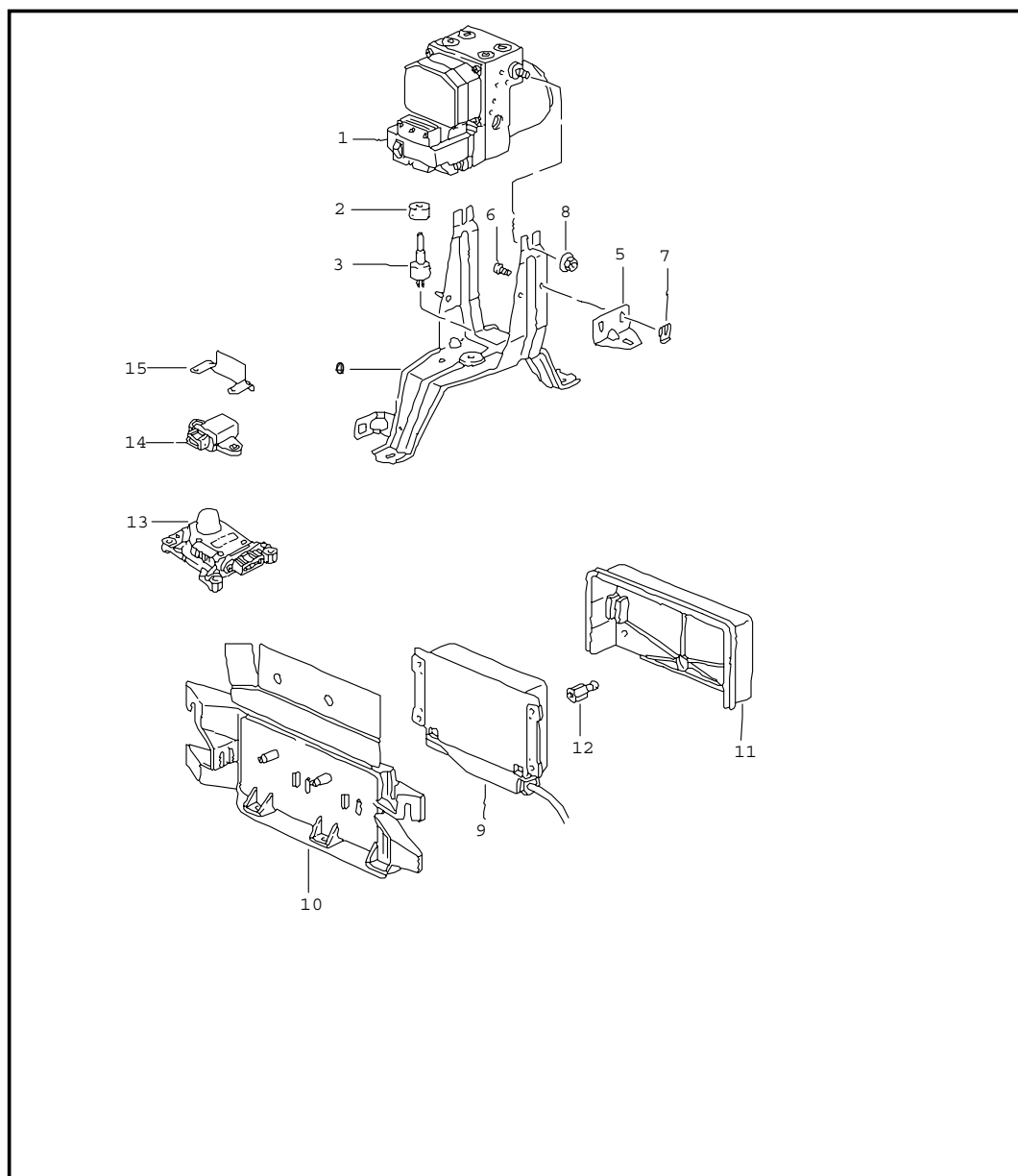


Pos	Part Number	Name	Remarks	Qty	Model
		brake line underbody rear axle vacuum line			
1	996 355 189 05	brake line	/L 98	1	
(1)	996 355 189 06	brake line	/L -02	1	
(1)	996 355 189 07	brake line F >>994S6 30356 F >>994S6 03928 F >>994S6 42725	/L 03-	1	
(1)	997 355 189 00	brake line F 994S6 30357>> F 994S6 03929>> F 994S6 42726>>	/L	1	
2	996 355 503 00	support	/L	1	
(2)	996 355 503 10	support	/L 03-	1	C 4-S M 450
3	900 067 117 09	screw M 6 X 16		2	
4	996 355 504 00	support	/R	1	
(4)	996 355 504 10	support	/R 03-	1	C 4-S M 450
5	996 355 585 00	brake line	/L	1	
(5)	996 355 585 10	brake line	/L 03-	1	C 4-S M 450
6	996 355 586 00	brake line	/R	1	
(6)	996 355 586 10	brake line	/R 03-	1	C 4-S M 450
7	996 355 139 01	brake hose		2	
8	996 355 190 06	brake line F >>99XS6 06898 F >>99XS6 44623	/R	1	
(8)	996 355 190 07	brake line F 99XS6 06899>> F 99XS6 44624>>	/R -01	1	
(8)	996 355 190 52	brake line	/R 02	1	
(8)	996 355 190 53	brake line F >>994S6 30356 F >>994S6 03928 F >>994S6 42725	/R 03-	1	

Model	Year	MG	SG	Illustration	Restrictions	Update	12:37	23.08.2006	PORSCHE	PET	PORSCHE
996	05	6	04	604-15		203					

Pos	Part Number	Name	Remarks	Qty	Model	Pos	Part Number	Name	Remarks	Qty	Model
(8)	997 355 190 01	brake line F 994S6 30357>> F 994S6 03929>> F 994S6 42726>>	/R	1							
9	996 347 543 00	support		3							
11	996 355 543 00	support		1							
14	A 996 355 575 03	vacuum line F >>99XS6 06898 F >>99XS6 44623		1							
(14)	996 355 575 04	vacuum line F 99XS6 06899>> F 99XS6 44624>>	-01	1							
(14)	A 996 355 575 05	vacuum line	02-	1							
(14)	996 355 575 06	vacuum line F >>994S6 30356 F >>994S6 03928 F >>994S6 42725	02-	1							
(14)	996 355 575 07	vacuum line F 994S6 30357>> F 994S6 03929>> F 994S6 42726>>		1							
-	999 507 495 40	support		1							
15	996 501 815 00	support		2							
	GRV	prime coated F >>99WS6 06999 F >>99WS6 40804									
(15)	996 501 815 02	support		2							
	GRV	prime coated F 99WS6 07000>> F 99WS6 40805>>  - - - E N D - - -									

Model	Year	MG	SG	Illustration	Restrictions	Update	12:38	23.08.2006	PORSCHE	PET	PORSCHE
996	05	6	05	605-00		203					

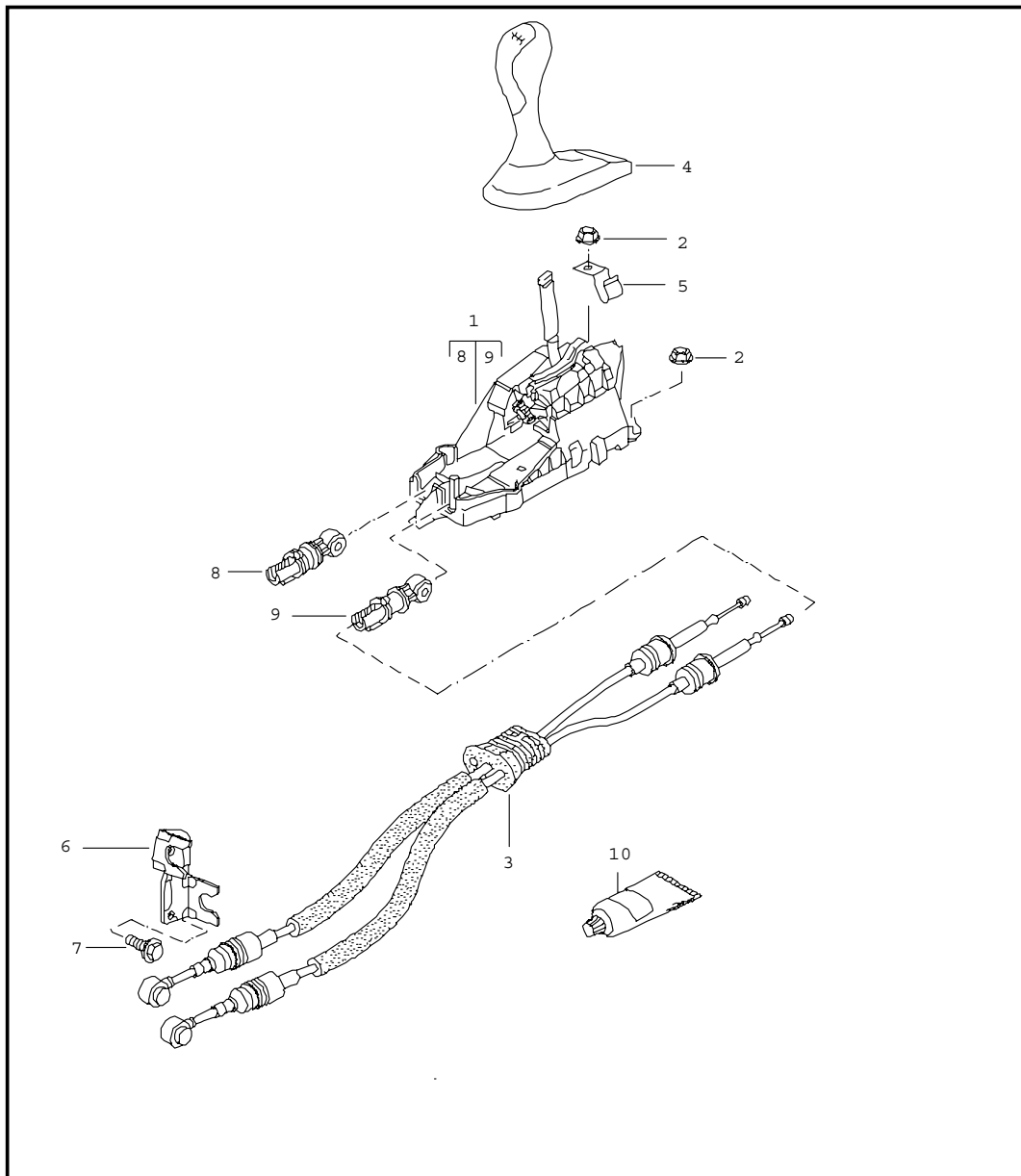


Pos	Part Number	Name	Remarks	Qty	Model
		hydraulic unit anti-lock brake system control			
1	A 996 355 955 03	hydraulic unit		1	M 338
(1)	996 355 955 04	hydraulic unit	-01	1	M 338
(1)	996 355 955 05	hydraulic unit	02	1	M 338
(1)	996 355 955 06	hydraulic unit	03-	1	M 338
(1)	A 996 355 955 28	hydraulic unit		1	M 222/224
(1)	996 355 955 29	hydraulic unit	-01	1	M 222/224
(1)	996 355 955 31	hydraulic unit	02-	1	M 222/224
(1)	996 355 955 40	hydraulic unit	99	1	M 339/476
(1)	996 355 955 46	hydraulic unit 5.7 see technical manual GRUPPE 0 NR.45-5	00	1	M 338/476
(1)	A 996 355 955 52	hydraulic unit 5.7	01-	1	M 338/476
(1)	996 355 955 54	hydraulic unit 5.7	02-	1	M 338/476
(1)	996 355 955 47	hydraulic unit 5.7 see technical manual GRUPPE 0 NR.45-5	00	1	M 339/476
(1)	A 996 355 955 53	hydraulic unit 5.7	01-	1	M 339/476
(1)	A 996 355 955 55	hydraulic unit 5.7	02-	1	M 339/476
(1)	996 355 955 61	hydraulic unit 5.7	02-	1	M 339/476
(1)	996 355 955 63	hydraulic unit 5.7	02-	1	C 4-S
2	996 355 945 00	damping piece		3	
3	996 355 541 00	spacer		1	
4	996 355 133 03	support	-99	1	

Model	Year	MG	SG	Illustration	Restrictions	Update	12:38	23.08.2006	PORSCHE	PET	PORSCHE
996	05	6	05	605-00		203					

Pos	Part Number	Name	Remarks	Qty	Model	Pos	Part Number	Name	Remarks	Qty	Model
(4)	996 355 133 04	support use also: 996.551.771.00		1							
(4)	996 355 033 41	support with rubber mounting	00- 02-	1 1	M 476						
-	964 356 635 00	rubber mounting	00- 00- 02-	2 3 3	M 338/476 M 339/476						
-	999 703 379 40	plug	00- 02-	2 2	M 476						
-	999 084 629 09	hexagon nut M 6		3							
5	996 355 535 02	support		1							
6	996 355 559 00	bolt		2							
7	999 166 080 02	lock		2							
8	900 377 003 02	hexagon nut VM 8		2							
9	996 618 140 00	control unit	99	1	M 339/476						
10	996 606 301 00	support	99	1	M 339/476						
11	996 618 038 00	cover	99	1	M 339/476						
12	999 167 047 02	ball pin	99	4	M 339/476						
13	996 606 110 01	sensor	99	1	M 339/476						
14	996 606 108 00	sensor	99	1	M 339/476						
15	996 606 208 00	cover plate	99	1	M 339/476						
(14)	996 606 117 00	sensor see technical manual GRUPPE 0 NR.45-5	00	1	M 476						
(14)	996 606 145 00	sensor	01-	1	M 476						
		- - - E N D - - -									

Model	Year	MG	SG	Illustration	Restrictions	Update	12:38	23.08.2006	PORSCHE	PET	PORSCHE
996	05	7	01	701-00		203					



Pos	Part Number	Name	Remarks	Qty	Model
		transmission control manual transmission			
1	996 424 010 04	gearshift bracket	-02	1	
(1)	996 424 010 05	gearshift bracket	03-	1	
(1) A	996 424 983 00	gearshift bracket	04	1	XCZ
(1)	997 424 983 00	gearshift bracket	05-	1	XCZ
2	999 084 629 09	hexagon nut M 6		4	
3 A	996 424 041 08	cable		1	
(3)	996 424 041 09	cable F >>99WS6 05722 F >>99WS6 05672		1	M 220
-	996 424 241 00	clip mount cable transmission control F >>99WS6 05722 F >>99WS6 05672		2	M 220
(3)	996 424 041 10	cable F 99WS6 05723>> F 99WS6 05673>> F 99XS6 40074>> transmission control	-00	1	M 220
(3) A	996 424 041 11	cable transmission control	01	1	
(3)	996 424 041 12	cable transmission control	02	1	
(3) A	996 424 041 13	cable transmission control	03	1	
(3)	996 424 041 14	cable transmission control	04-	1	
-	986 424 411 00	retaining clip mount cable for support		2	
4 U	996 424 075 01	gearshift knob		1	
	EKQ	black			
	EKU	space grey			
	EKR	graphite grey			



Model	Year	MG	SG	Illustration	Restrictions	Update	12:38	23.08.2006	PORSCHE	PET	PORSCHE
996	05	7	01	701-00		203					

Pos	Part Number	Name	Remarks	Qty	Model	Pos	Part Number	Name	Remarks	Qty	Model
	EKT	metropole blue					FGV	savanna sport silver			
	EKV	nephrite green					FGW	metropole blue sport silver			
	EKW	boxster red					FGX	nephrite green sport silver	03		
	EKS	savanna					FGY	boxster red sport silver			
(4)	996 424 075 02	gearshift knob	-99	1			FGZ	cinnamon brown sport silver			
	ENH	black/silver					VSW	dark grey/natural sport silver			
	ENJ	graphite grey/silver					VSX	brown/natural sport silver			
	ENL	metropole blue/silver				(4)	996 424 075 20	gearshift knob	04	1	M 095
	ENM	space grey/silver					VTA	dark grey/natural			
	ENK	savanna/silver				(4)	996 424 981 15	gearshift knob	01-02	1	X97
	ENN	nephrite green/silver					VRJ	black			
(4)	996 424 075 05	gearshift knob	00-02	1			C50	graphite grey			
	ENJ	graphite grey/silver					S30	savanna			
	ENK	savanna/silver					G10	metropole blue			
	ENL	metropole blue/silver					M30	boxster red			
	ENM	space grey/silver					P11	cinnamon brown			
	EVZ	black/silver					D11	dark grey/natural			
	ENN	nephrite green/silver					T11	brown/natural			
	ENO	boxster red/silver				(4)	996 424 981 16	gearshift knob	01-02	1	X72
	VRE	dark grey/natural silver					VRJ	black			
	VRF	brown/natural silver					C50	graphite grey			
	FEN	cinnamon brown silver	01-02				S30	savanna			
(4)	996 424 075 05	gearshift knob	03-	1			G10	metropole blue			
	FGT	black sport silver					M30	boxster red			
	FGU	graphite grey sport silver					P11	cinnamon brown			
							D11	dark grey/natural			

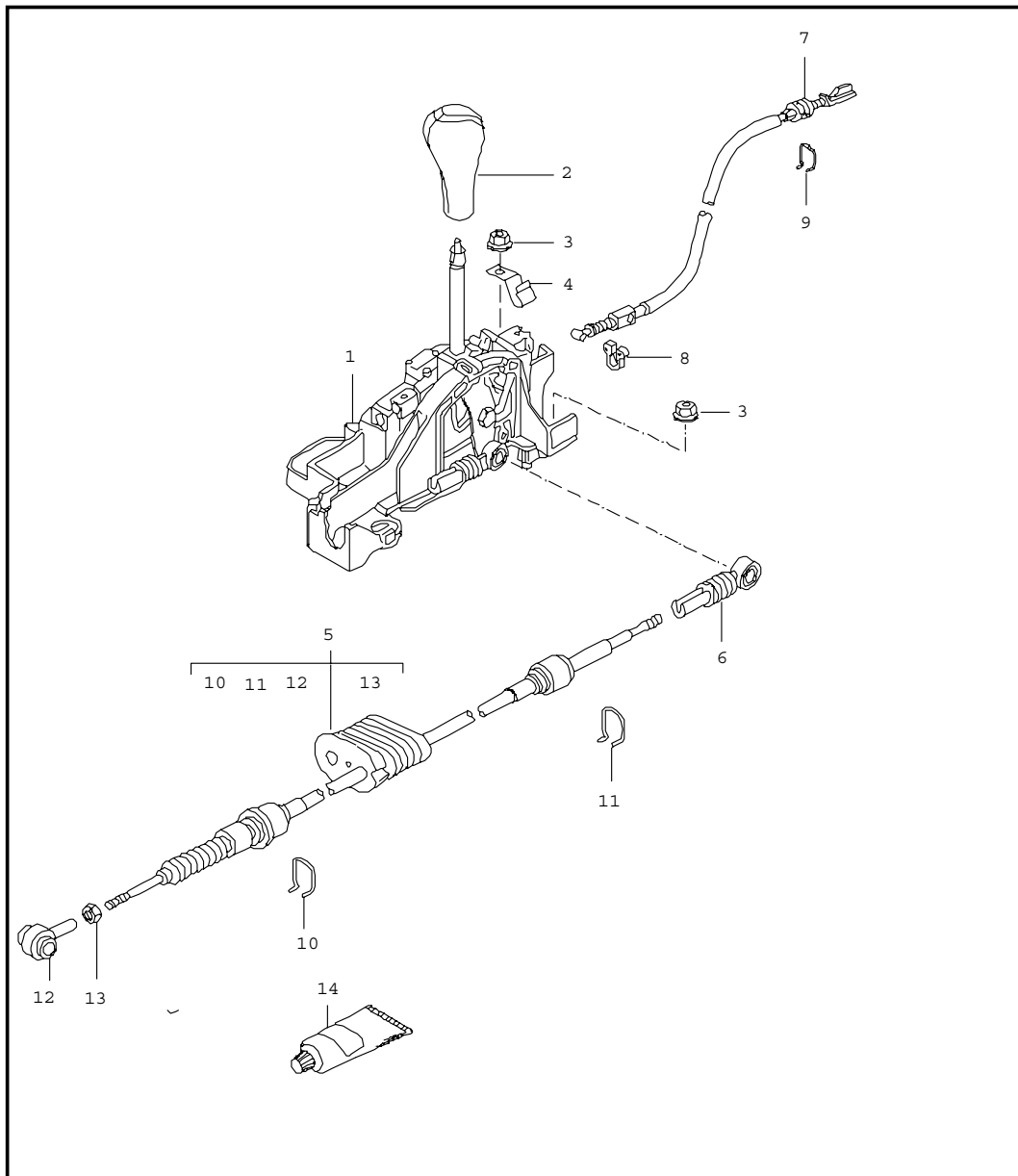
Model	Year	MG	SG	Illustration	Restrictions	Update	12:38	23.08.2006	PORSCHE	PET	PORSCHE
996	05	7	01	701-00		203					

Pos	Part Number	Name	Remarks	Qty	Model	Pos	Part Number	Name	Remarks	Qty	Model
(4)	996 424 981 17	T11 brown/natural gearshift knob	01-02	1	XE8	(4)	996 424 981 25	gearshift knob	03-	1	X72
		VRJ black					VRJ black				
		C50 graphite grey					C50 graphite grey				
		S30 savanna					S30 savanna				
		G10 metropole blue					G10 metropole blue				
		M30 boxer red					J30 nephrite green	03			
		P11 cinnamon brown					M30 boxer red				
		D11 dark grey/natural					P11 cinnamon brown				
		T11 brown/natural					D11 dark grey/natural				
(4)	996 424 981 18	gearshift knob	01-02	1	X47	(4)	996 424 981 28	gearshift knob	03-	1	XE8
		VRJ black					VRJ black				
		C50 graphite grey					C50 graphite grey				
		S30 savanna					S30 savanna				
		G10 metropole blue					G10 metropole blue				
		M30 boxer red					J30 nephrite green	03			
		P11 cinnamon brown					M30 boxer red				
		D11 dark grey/natural					P11 cinnamon brown				
		T11 brown/natural					D11 dark grey/natural				
(4)	996 424 981 22	gearshift knob	03-	1	X97	(4)	996 424 981 31	gearshift knob	03-	1	X47
		VRJ black					VRJ black				
		C50 graphite grey					C50 graphite grey				
		S30 savanna					S30 savanna				
		G10 metropole blue					G10 metropole blue				
		J30 nephrite green	03				J30 nephrite green	03			
		M30 boxer red					M30 boxer red				
		P11 cinnamon brown					P11 cinnamon brown				
		D11 dark grey/natural					D11 dark grey/natural				
		T11 brown/natural									

Model	Year	MG	SG	Illustration	Restrictions	Update	12:38	23.08.2006	PORSCHE	PET	PORSCHE
996	05	7	01	701-00		203					

Pos	Part Number	Name	Remarks	Qty	Model	Pos	Part Number	Name	Remarks	Qty	Model
	T11	brown/natural									
6	996 424 165 02	support		1							
7	999 073 209 09	hexagon-head bolt M 10 X 20		2							
-	996 424 445 00	clip for fastening part		X							
8	996 424 145 00	fastening part for cable adjustable	-99	1							
(8)	996 424 145 01	fastening part for cable adjustable	00-	1							
9	996 424 147 00	fastening part for cable adjustable		1							
10	000 043 205 93	grease 1 tube 100 g		X							
		- - - E N D - - -									

Model	Year	MG	SG	Illustration	Restrictions	Update	12:38	23.08.2006	PORSCHE	PET	PORSCHE
996	05	7	01	701-01		203					



Pos	Part Number	Name	Remarks	Qty	Model
1	996 426 011 07	selector lever TIPTRONIC	-99	1	
(1)	996 426 011 08	selector lever with housing	00	1	
(1)	996 426 011 09	selector lever with housing	01	1	
(1)	996 426 011 51	selector lever with housing	02-	1	
-	996 613 212 10	switch selector lever		1	
-	996 624 223 00	solenoid selector lever		1	
2	996 426 069 07	gearshift knob	-99	1	
		ENU black/silver			
		ENY space grey/silver			
		ENV graphite grey/silver			
		ENX metropole blue/silver			
		ENZ nephrite green/silver			
		EOA boxster red/silver			
		ENW savanna/silver			
(2)	996 426 069 09	gearshift knob	00-	1	
		EOO silver-black	00		
		ERB black/silver	01		
		EOP graphite grey/silver			
		EOQ savanna/silver			
		EOR metropole blue/silver			
		EOS space grey/silver			
		EOT nephrite green/silver			
		EPC boxster red/silver			

Model	Year	MG	SG	Illustration	Restrictions	Update	12:38	23.08.2006	PORSCHE	PET	PORSCHE
996	05	7	01	701-01		203					

Pos	Part Number	Name	Remarks	Qty	Model	Pos	Part Number	Name	Remarks	Qty	Model
	VRG	dark grey/natural				(2)	996 426 981 06	gearshift knob	01-02	1	X46
	VRH	brown/natural					VRJ	black			
	FEO	cinnamon brown	01				C50	graphite grey			
(2)	996 426 069 10	gearshift knob	02	1			S30	savanna			
	EOO	silver-black					G10	metropole blue			
	ERB	black/silver					M30	boxster red			
	EOP	graphite grey/silver					P11	cinnamon brown			
	EOQ	savanna/silver					D11	dark grey/natural			
	EOR	metropole blue/silver					T11	brown/natural			
	EOS	space grey/silver				(2)	996 426 981 11	gearshift knob	03-	1	X46
	EOT	nephrite green/silver					VRJ	black			
	EPC	boxster red/silver					C50	graphite grey			
	VRG	dark grey/natural					S30	savanna			
	VRH	brown/natural					G10	metropole blue			
	FEO	cinnamon brown					J30	nephrite green	03		
(2)	996 426 069 10	gearshift knob	03-	1			M30	boxster red			
	FGJ	black sport silver					P11	cinnamon brown			
	FGK	graphite grey sport silver					D11	dark grey/natural			
	FGL	savanna sport silver				(2)	996 426 981 07	gearshift knob	01-02	1	X65
	FGM	metropole blue sport silver				(2)	996 426 981 08	gearshift knob	01-02	1	X66
	FGN	nephrite green sport silver	03			(2)	996 426 981 09	gearshift knob	01-02	1	X48
	FGO	boxster red sport silver				(2)	996 426 981 12	gearshift knob	03-	1	X65
	FGP	cinnamon brown sport silver				(2)	996 426 981 13	gearshift knob	03-	1	X66
	VSU	dark grey/natural sport silver				(2)	996 426 981 14	gearshift knob	03-	1	X48
	VSV	brown/natural sport silver				- A	996 426 275 02	adjusting lever	-99	1	
							V01	silver			
						-	996 426 277 00	compression spring	-99	1	
						- A	996 426 277 01	compression spring	00-	1	

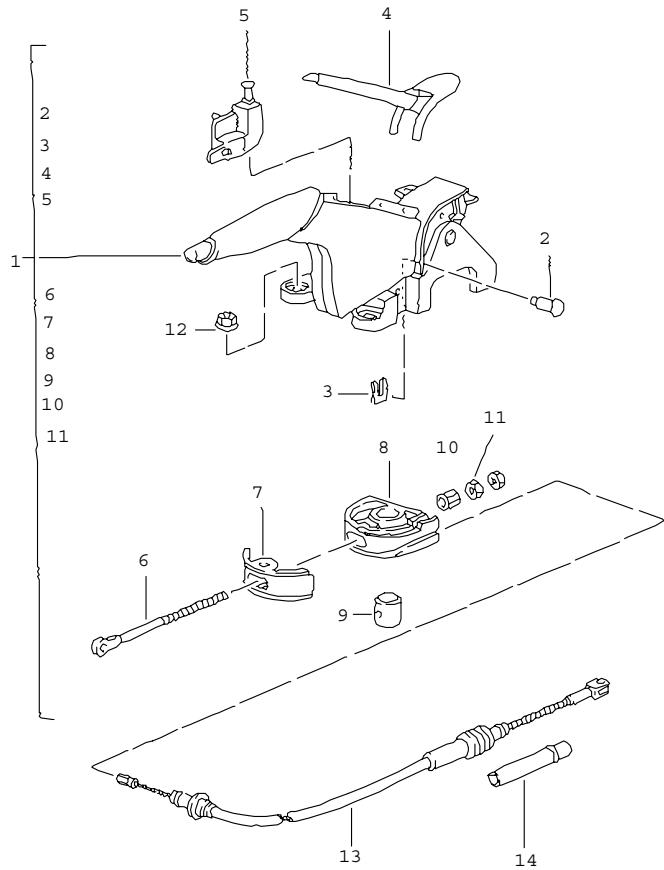
Model	Year	MG	SG	Illustration	Restrictions	Update	12:38	23.08.2006	PORSCHE	PET	PORSCHE
996	05	7	01	701-01		203					

Pos	Part Number	Name	Remarks	Qty	Model	Pos	Part Number	Name	Remarks	Qty	Model
-	996 426 285 00	fixing clip		1		5	996 426 033 03	cable F >>99WS6 06582 F >>99WS6 40624		1	
-	321 713 137	roller	-99	1							
-	A 000 043 204 49	repair kit comprising: adjusting lever 996.426.275.02 V01 compression spring 996.426.277.02 roller 321.713.137	-01	1		(5)	996 426 033 07	cable F 99WS6 06583>> F 99WS6 40625>> F >>991S6 00606 F >>991S6 40456 F >>991S6 00987 F >>991S6 40767	-01	1	
-	000 043 204 57	repair kit comprising: adjusting lever 996.426.275.05 V01 compression spring 996.426.277.02 roller 321.713.137	-01	1		(5) A	996 426 033 08	cable	01	1	
						(5)	996 426 033 09	cable F 991S6 00607>> F 991S6 40457>> F 991S6 00988>> F 991S6 40768>>		1	
-	000 043 204 50	repair kit	01	1	X46/X48	(5) A	996 426 033 50	cable	02	1	
			01	1	X65/X66	(5) A	996 426 033 51	cable	03	1	
				1	X46/X48	(5)	996 426 033 52	cable	04-	1	
				1	X65/X66	6	996 426 035 00	fastening part for cable adjustable		1	
-	000 043 204 57	repair kit comprising: adjusting lever 996.426.275.05 V01 compression spring 996.426.277.02 roller 321.713.137	02	1		7	996 426 073 03	cable		1	
						8	996 426 181 00	clip		1	
						9	996 426 711 00	securing clip		1	
						10	996 426 335 00	securing clip		1	
						11	996 426 335 01	securing clip		1	
-	000 043 204 69	repair kit comprising: adjusting lever 996.426.275.05 V03 compression spring 996.426.277.02 roller 321.713.137	03-	1		12	996 426 380 00	connecting piece F >>991S6 00606 F >>991S6 40456 F >>991S6 00987 F >>991S6 40767		1	
3	999 084 629 09	hexagon nut M 6		4		(12)	996 426 380 50	connecting piece F 991S6 00607>> F 991S6 40457>> F 991S6 00988>> F 991S6 40768>> F 991S6 50872>>		1	
4	999 507 465 02	cable holder		1		13	900 076 010 02	hexagon nut M 6		1	

Model	Year	MG	SG	Illustration	Restrictions	Update	12:38	23.08.2006	PORSCHE	PET	PORSCHE
996	05	7	01	701-01		203					

Pos	Part Number	Name	Remarks	Qty	Model	Pos	Part Number	Name	Remarks	Qty	Model
14	000 043 205 93	grease 1 tube 100 g  - - - E N D - - -		X							

Model	Year	MG	SG	Illustration	Restrictions	Update	12:38	23.08.2006	PORSCHE	PET	PORSCHE
996	05	7	01	701-05		203					



Pos	Part Number	Name	Remarks	Qty	Model
1	996 424 031 03	handbrake actuator parking-brake lever complete	98	1	
	EKH	black/granite			
	EKM	space grey/granite			
	EKJ	graphite grey/granite			
	EKL	metropole blue/granite			
	EKN	nephrite green/granite			
	EKO	boxster red/granite			
	EKK	savanna/granite			
(1)	996 424 031 04	parking-brake lever complete	99	1	
	EKH	black/granite			
	EKM	space grey/granite			
	EKJ	graphite grey/granite			
	EKL	metropole blue/granite			
	EKN	nephrite green/granite			
	EKO	boxster red/granite			
	EKK	savanna/granite			
(1)	996 424 031 05	parking-brake lever complete	00	1	
	EUK	black			
	EUO	space grey			
	EUL	graphite grey			
	EUN	metropole blue			
	EUP	nephrite green			
	EUQ	boxster red			
	EUM	savanna			
	VRC	dark grey/natural			
	VRD	brown/natural			



Model	Year	MG	SG	Illustration	Restrictions	Update	12:38	23.08.2006	PORSCHE	PET	PORSCHE
996	05	7	01	701-05		203					

Pos	Part Number	Name	Remarks	Qty	Model	Pos	Part Number	Name	Remarks	Qty	Model
(1)	996 424 031 06	parking-brake lever complete	01-02	1		(1)	996 424 980 22	parking-brake lever	/LL01-02	1	X98
	EUK	black					VRJ	black			
	EUO	space grey					C50	graphite grey			
	EUL	graphite grey					S30	savanna			
	EUN	metropole blue					G10	metropole blue			
	EUP	nephrite green					J30	nephrite green			
	EUQ	boxster red					M30	boxster red			
	EUM	savanna					P11	cinnamon brown			
	VRC	dark grey/natural					D11	dark grey/natural			
	VRD	brown/natural					T11	brown/natural			
	FEM	cinnamon brown				(1)	996 424 980 23	parking-brake lever	/RL01-02	1	X98
(1)	996 424 031 07	parking-brake lever complete	03-	1			VRJ	black			
	FFR	black sport silver					C50	graphite grey			
	FFS	graphite grey sport silver					S30	savanna			
	FFU	metropole blue sport silver					G10	metropole blue			
	FFT	savanna sport silver					J30	nephrite green			
	FFV	nephrite green sport silver	03				M30	boxster red			
	FFW	boxster red sport silver					P11	cinnamon brown			
	FFX	cinnamon brown sport silver					D11	dark grey/natural			
	VSR	dark grey/natural sport silver					T11	brown/natural			
	VST	brown/natural sport silver				(1)	996 424 980 24	parking-brake lever	/LL01-02	1	X58
(1)	996 424 031 08	parking-brake lever complete	04	1	M 095		VRJ	black			
	VSZ	dark grey/natural					C50	graphite grey			
							S30	savanna			
							G10	metropole blue			
							J30	nephrite green			
							M30	boxster red			
							P11	cinnamon brown			
							D11	dark grey/natural			

Model	Year	MG	SG	Illustration	Restrictions	Update	12:38	23.08.2006	PORSCHE	PET	PORSCHE
996	05	7	01	701-05		203					

Pos	Part Number	Name	Remarks	Qty	Model	Pos	Part Number	Name	Remarks	Qty	Model
(1)	996 424 980 25	T11 brown/natural parking-brake lever	/RL01-02	1	X58	(1)	996 424 980 28	D11 dark grey/natural T11 brown/natural parking-brake lever	/LL01-02	1	XE9
		VRJ black						VRJ black			
		C50 graphite grey						C50 graphite grey			
		S30 savanna						S30 savanna			
		G10 metropole blue						G10 metropole blue			
		J30 nephrite green						J30 nephrite green			
		M30 boxster red						M30 boxster red			
		P11 cinnamon brown						P11 cinnamon brown			
		D11 dark grey/natural						D11 dark grey/natural			
(1)	996 424 980 26	T11 brown/natural parking-brake lever	/LL01-02	1	X91	(1)	996 424 980 29	D11 dark grey/natural T11 brown/natural parking-brake lever complete	/RL01-02	1	XE9
		VRJ black						VRJ black			
		C50 graphite grey						C50 graphite grey			
		S30 savanna						S30 savanna			
		G10 metropole blue						G10 metropole blue			
		J30 nephrite green						J30 nephrite green			
		M30 boxster red						M30 boxster red			
		P11 cinnamon brown						P11 cinnamon brown			
		D11 dark grey/natural						D11 dark grey/natural			
(1)	996 424 980 27	T11 brown/natural parking-brake lever	/RL01-02	1	X91	(1)	996 424 980 38	D11 dark grey/natural T11 brown/natural parking-brake lever complete	/LL 03-	1	X98
		VRJ black						VRJ black			
		C50 graphite grey						C50 graphite grey			
		S30 savanna						S30 savanna			
		G10 metropole blue						G10 metropole blue			
		J30 nephrite green						J30 nephrite green	03		
		M30 boxster red						M30 boxster red			
		P11 cinnamon brown						P11 cinnamon brown			

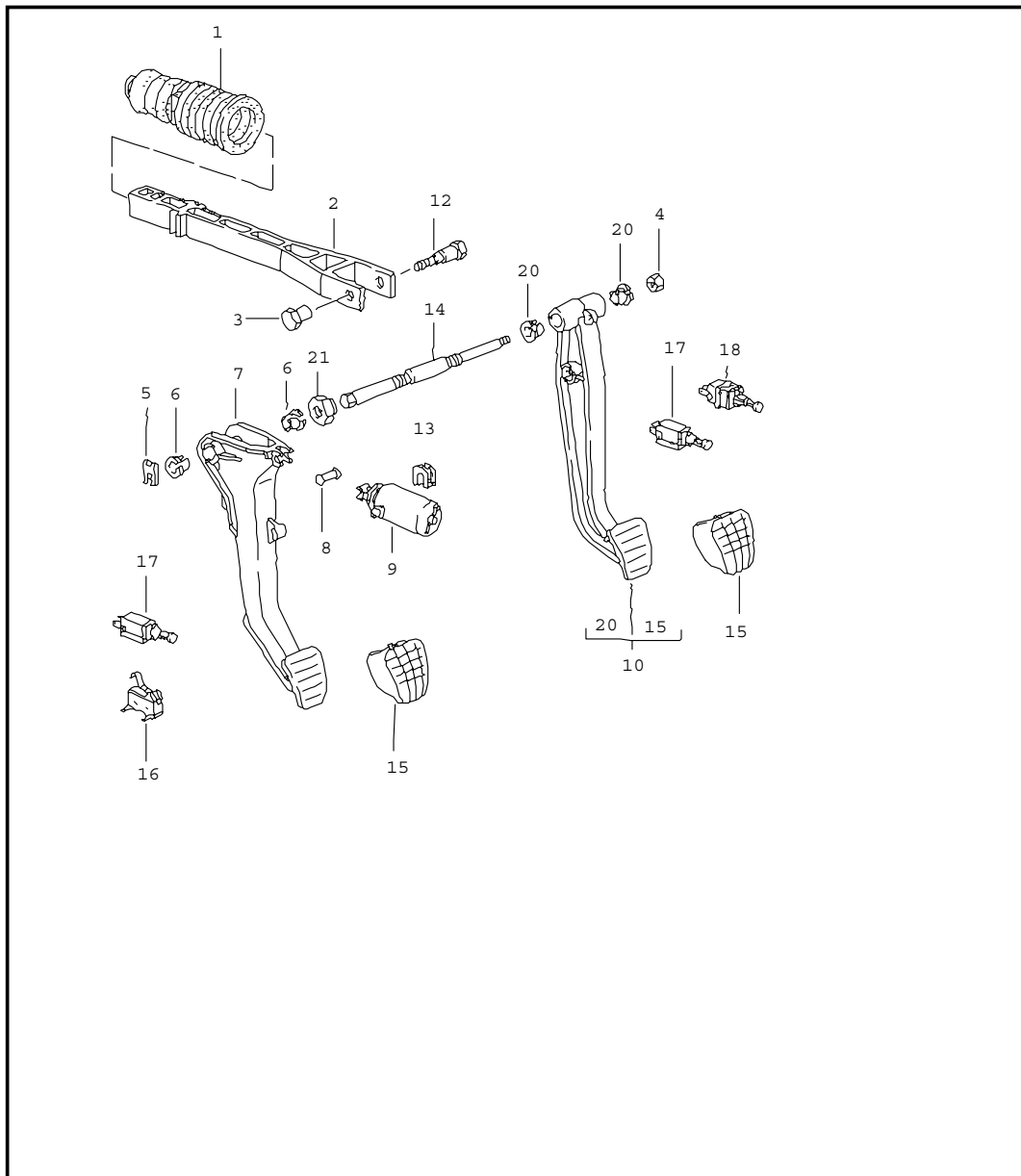
Model	Year	MG	SG	Illustration	Restrictions	Update	12:38	23.08.2006	PORSCHE	PET	PORSCHE
996	05	7	01	701-05		203					

Pos	Part Number	Name	Remarks	Qty	Model	Pos	Part Number	Name	Remarks	Qty	Model
	M30	boxster red					G10	metropole blue			
	P11	cinnamon brown					J30	nephrite green	03		
	D11	dark grey/natural					M30	boxster red			
	T11	brown/natural					P11	cinnamon brown			
(1)	996 424 980 39	parking-brake lever complete	/RL 03-	1	X98		D11	dark grey/natural			
	VRJ	black					T11	brown/natural			
	C50	graphite grey				(1)	996 424 980 42	parking-brake lever complete	/LL 03-	1	X91
	S30	savanna					VRJ	black			
	G10	metropole blue					C50	graphite grey			
	J30	nephrite green	03				S30	savanna			
	M30	boxster red					G10	metropole blue			
	P11	cinnamon brown					J30	nephrite green	03		
	D11	dark grey/natural					M30	boxster red			
	T11	brown/natural					P11	cinnamon brown			
(1)	996 424 980 50	parking-brake lever complete	/LL 03-	1	X58		D11	dark grey/natural			
	VRJ	black					T11	brown/natural			
	C50	graphite grey				(1)	996 424 980 43	parking-brake lever complete	/RL 03-	1	X91
	S30	savanna					VRJ	black			
	G10	metropole blue					C50	graphite grey			
	J30	nephrite green	03				S30	savanna			
	M30	boxster red					G10	metropole blue			
	P11	cinnamon brown					J30	nephrite green	03		
	D11	dark grey/natural					M30	boxster red			
	T11	brown/natural					P11	cinnamon brown			
(1)	996 424 980 51	parking-brake lever complete	/RL 03-	1	X58		D11	dark grey/natural			
	VRJ	black					T11	brown/natural			
	C50	graphite grey				(1)	996 424 980 46	parking-brake lever complete	/LL 03-	1	XE9
	S30	savanna					VRJ	black			

Model	Year	MG	SG	Illustration	Restrictions	Update	12:38	23.08.2006	PORSCHE	PET	PORSCHE
996	05	7	01	701-05		203					

Pos	Part Number	Name	Remarks	Qty	Model	Pos	Part Number	Name	Remarks	Qty	Model
	C50	graphite grey					M33	boxster red	00-		
	S30	savanna					P13	cinnamon brown	01-		
	G10	metropole blue				(4)	996 424 155 02	cover	04	1	M 095
	J30	nephrite green	03				M7Z	silver metallic			
	M30	boxster red				(4)	996 424 155 01	cover	01-	1	X98
	P11	cinnamon brown							01-	1	X58
	D11	dark grey/natural							01-	1	X91
	T11	brown/natural					A03	black	01-	1	XE9
(1)	996 424 980 47	parking-brake lever complete	/RL 03-	1	XE9		C53	graphite grey			
	VRJ	black					S33	savanna			
	C50	graphite grey					G13	metropole blue			
	S30	savanna					J33	nephrite green	-03		
	G10	metropole blue				5	996 613 112 01	switch		1	
	J30	nephrite green	03			6	996 424 567 01	pull rod		1	
	M30	boxster red				7	964 424 570 00	securing clip		1	
	P11	cinnamon brown				8	964 424 568 00	compensating piece		1	
	D11	dark grey/natural				9	996 424 574 00	nipple		1	
	T11	brown/natural				10	996 424 572 00	bush		1	
2	996 424 569 01	bolt		1		11	900 076 025 02	hexagon nut M 8		2	
3	999 166 079 02	lock SLB 6		1		12	900 380 005 09	hexagon nut M 8		2	
4	996 424 155 01	cover		1		13	996 424 141 00	parking-brake cable	-00	2	
	D05	granite grey	-99			(13)	996 424 141 10	parking-brake cable	01-	2	
	A03	black	00-			14	996 424 721 01	guide tube	-00	2	
	B13	space grey	00			(14)	996 424 721 02	guide tube	01-	2	
	C53	graphite grey	00-								
	S33	savanna	00-								
	G13	metropole blue	00-								
	J33	nephrite green	00-03								
									- - - E N D - - -		

Model	Year	MG	SG	Illustration	Restrictions	Update	12:39	23.08.2006	PORSCHE	PET	PORSCHE
996	05	7	02	702-00		203					

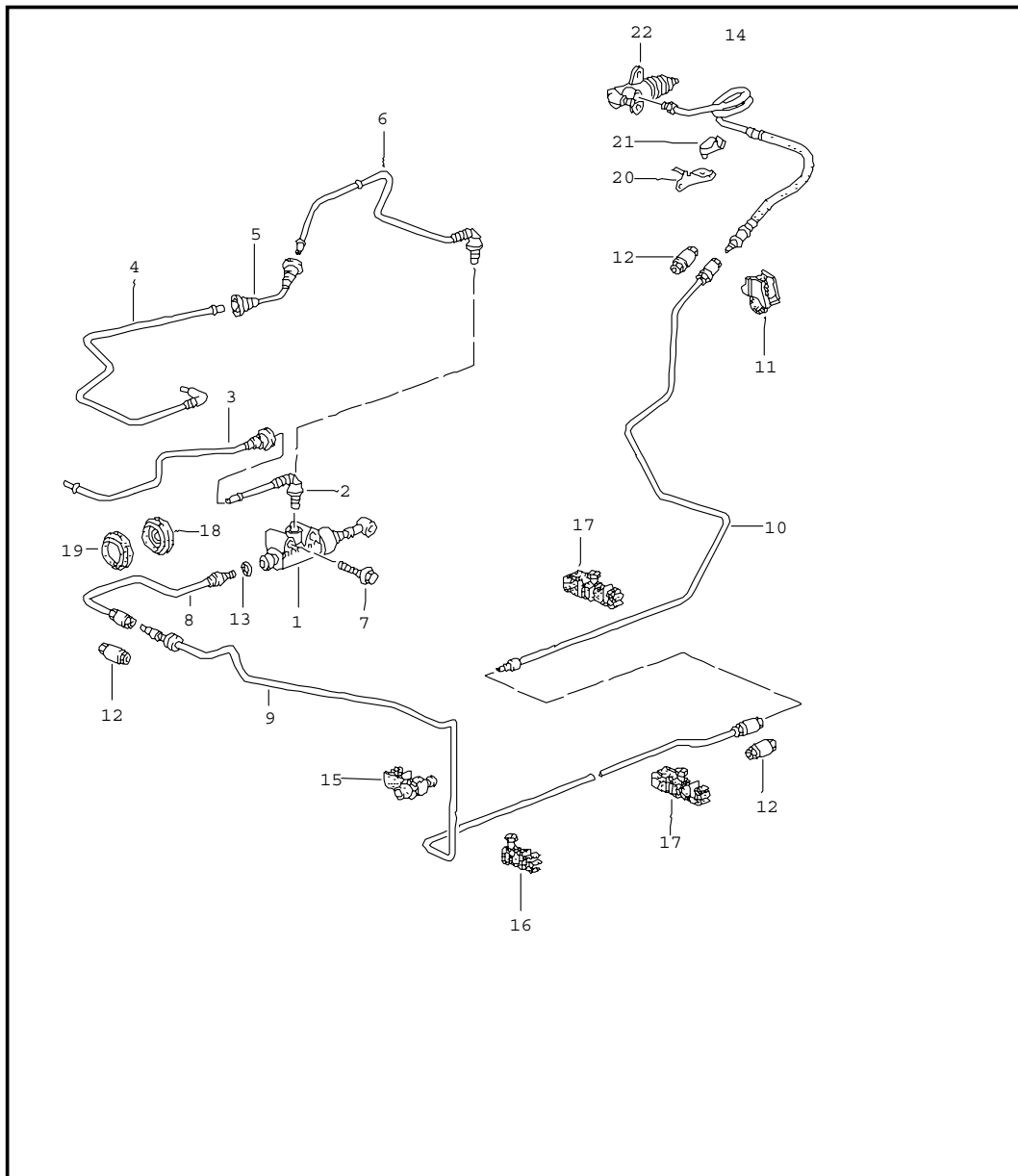


Pos	Part Number	Name	Remarks	Qty	Model
		pedals			
		see technical manual			
		46 05 19			
		30 05 19			
		47 70 19			
-	000 043 203 37	grease		X	
		OPTITEMP LG2			
1	...	bellows		1	
		see illustrations			
		6/04/00			
2	U 996 423 165 04	push rod		1	
		F >>99YS6 00595			
		F >>99YS6 40393			
		see technical information			
		group 4			
		NR.11/01			
(2)	996 423 165 05	push rod		1	
		F 99YS6 00596>>			
		F 99YS6 40394>>			
-	999 166 075 02	lock		1	
		push rod			
		brake booster			
3	996 423 307 00	bush		1	
4	900 380 005 09	hexagon nut		3	
		M 8		2	
5	999 507 601 01	lock		1	M 480
6	996 423 399 01	bush		2	M 480
7	A 996 423 139 08	clutch pedal		1	M 480
		F >>99XS6 01584			
		F >>99XS6 40899			
(7)	996 423 139 09	clutch pedal	-99	1	M 480
(7)	996 423 139 10	clutch pedal		1	M 480
		F 99XS6 01585>>			
		F 99XS6 40900>>			
		use also:			
		F >>99XS6 01584			
		F >>99XS6 40899			
		996.423.081.11			
8	996 423 313 01	bolt		1	M 480
		F >>99XS6 01584			
		F >>99XS6 40899			

Model	Year	MG	SG	Illustration	Restrictions	Update	12:39	23.08.2006	PORSCHE	PET	PORSCHE
996	05	7	02	702-00		203					

Pos	Part Number	Name	Remarks	Qty	Model	Pos	Part Number	Name	Remarks	Qty	Model
(8)	996 423 315 06	bolt F 99XS6 01585>> F 99XS6 40900>>		1	M 480	12	996 423 308 00	bolt		1	
-	999 166 022 02	lock for bolt F 99XS6 01585>> F 99XS6 40900>>		1	M 480	13	996 423 581 00	bush		1	
9 A	996 423 081 09	clutch power spring F >>99XS6 01584 F >>99XS6 40899		1	M 480	14	996 423 281 05	axle	/LL	1	M 480
(9)	996 423 081 11	clutch power spring F 99XS6 01585>> F 99XS6 40900>> use also: F >>99XS6 01584 F >>99XS6 40899 996.423.139.09		1	M 480	(14)	996 423 284 05	axle	/RL	1	M 480
(9)	996 423 081 14	clutch power spring	-02	1	M 480	(14)	996 423 283 05	axle	/LL	1	M 249
(9)	996 423 081 17	clutch power spring	03	1	M 480	(14)	996 423 286 05	axle	/RL	1	M 249
(9)	996 423 081 18	clutch power spring	04	1	M 480	-	996 423 277 00	sleeve brake pedal	/RL	1	
-	996 423 571 02	bracket for clutch power spring		1	M 480	15	996 423 210 03	cap		2	M 480
10	996 423 091 02	brake pedal	/LL -99	1	M 480	(15)	996 423 212 03	cap		1	M 249
(10)	996 423 091 03	brake pedal	/LL 00-	1	M 480	17 A	996 613 113 00	switch brake pedal		2	M 454
(10)	996 423 092 02	brake pedal	/RL -99	1	M 480	(17)	996 613 113 01	switch brake pedal		2	M 454
(10)	996 423 092 03	brake pedal	/RL 00-	1	M 480	(17) A	996 613 114 00	switch clutch pedal	-99	1	M 454
(10)	996 423 093 02	brake pedal	/LL -99	1	M 249	(17)	996 613 114 01	switch clutch pedal	-99	1	M 454
(10)	996 423 093 03	brake pedal	/LL 00-	1	M 249	(17)	996 613 114 01	switch clutch pedal	00-	1	
(10)	996 423 094 02	brake pedal	/RL -99	1	M 249	18	996 613 113 01	switch		1	
(10)	996 423 094 03	brake pedal	/RL 00-	1	M 249	19	964 613 211 00	kickdown switch		1	M 249
-	999 522 033 00	return spring brake pedal		2		20	996 423 399 01	bush	/LL	2	
-	996 423 101 00	protective tube return spring brake pedal		1		(20)	999 924 133 40	bush	/RL	2	
-	996 423 243 00	bush return spring	00-	1		21 A	996 423 275 04	screw plug	-03	1	
						(21)	996 423 275 05	screw plug	04-	1	
								- - - E N D - - -			

Model	Year	MG	SG	Illustration	Restrictions	Update	12:39	23.08.2006	PORSCHE	PET	PORSCHE
996	05	7	02	702-08		203					



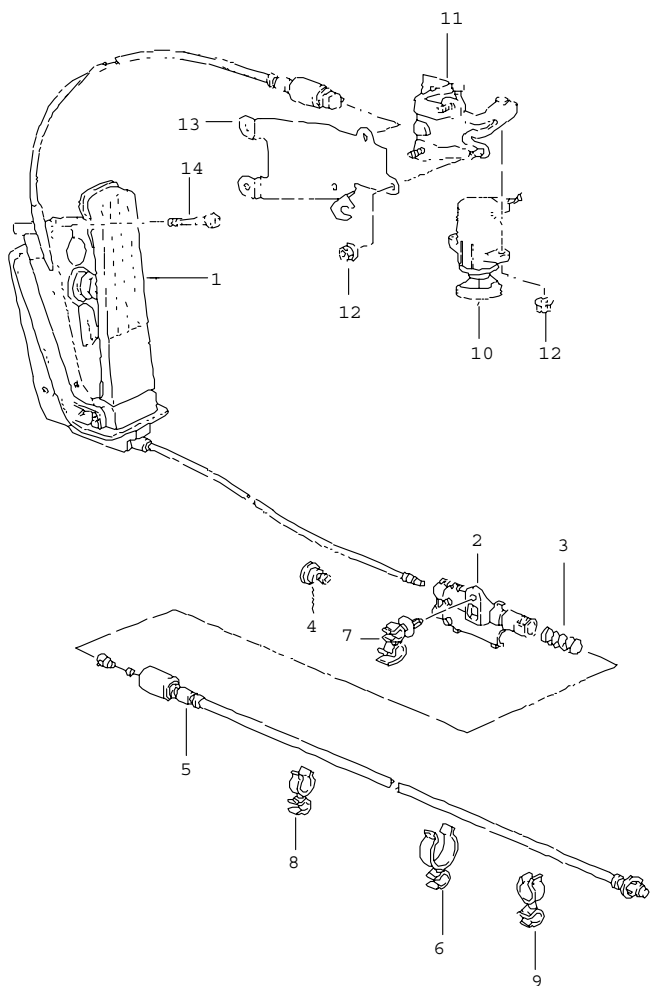
Pos	Part Number	Name	Remarks	Qty	Model
		clutch control clutch master cylinder clutch pipeline			
1	A 996 423 171 05	clutch master cylinder	-02	1	
(1)	996 423 171 06	clutch master cylinder	03-	1	
-	996 423 614 00	circlip pressure line		1	
-	996 423 315 06	bolt		1	
-	999 166 022 02	safety clip for bolt		1	
2	996 423 147 00	feed line	/LL -02	1	
(2)	996 423 147 01	feed line	/LL 03-	1	
3	997 423 137 00	feed line	/LL	1	
4	996 423 138 03	line	/RL -02	1	
(4)	996 423 138 04	feed line	/RL 03-	1	
5	996 423 140 02	feed line	/RL	1	
6	996 423 142 01	feed line	/RL -02	1	
(6)	996 423 142 02	feed line	/RL 03-	1	
7	900 378 029 09	hexagon-head bolt M 6 X 40		2	
8	996 423 107 10	clutch pipeline	/LL	1	
(8)	996 423 108 10	clutch pipeline	/RL	1	
9	996 423 109 10	clutch pipeline		1	
10	996 423 113 04	clutch pipeline F >>99XS6 06898 F >>99XS6 44623		1	
(10)	996 423 113 05	clutch pipeline F 99XS6 06899>> F 99XS6 44624>>	-01	1	
(10)	996 423 113 07	clutch pipeline F >>994S6 30356 F >>994S6 03928 F >>994S6 42725	02-	1	

Model	Year	MG	SG	Illustration	Restrictions	Update	12:39	23.08.2006	PORSCHE	PET	PORSCHE
996	05	7	02	702-08		203					

Pos	Part Number	Name	Remarks	Qty	Model	Pos	Part Number	Name	Remarks	Qty	Model
(10)	997 423 113 00	clutch pipeline F 994S6 30357>> F 994S6 03929>> F 994S6 42726>>		1							
11	999 507 495 40	support		1							
12	999 230 541 10	threaded joint		3							
-	999 230 685 40	circlip for threaded joint		3							
13	999 707 333 40	sealing ring		1							
14	996 423 377 07	clutch hose	-01	1							
(14) A	996 423 377 08	clutch hose	02	1							
(14)	996 423 377 09	clutch hose F >>994S6 30356 F >>994S6 03928 F >>994S6 42725	03-	1							
(14)	997 423 377 00	clutch hose F 994S6 30357>> F 994S6 03929>> F 994S6 42726>>		1							
15	996 355 549 00	support		1							
16	996 355 545 00	support		2							
17	996 355 543 00	support		4							
18	999 702 216 42	grommet		1							
19	999 702 217 41	grommet		1	M 249						
20 A	996 423 677 00	support		1							
(20)	996 423 677 00	support		1							
-	999 507 586 40	cable holder		1							
21	999 507 586 40	bracket		1							
22 A	996 116 237 04	clutch operating cylinder		1							
(22) A	996 116 237 05	clutch operating cylinder		1							
(22)	996 116 237 06	clutch operating cylinder		1							
-	900 075 222 09	hexagon-head bolt M 8 X 30		2							
		- - - E N D - - -									



Model	Year	MG	SG	Illustration	Restrictions	Update	12:39	23.08.2006	PORSCHE	PET	PORSCHE
996	05	7	02	702-10		203					

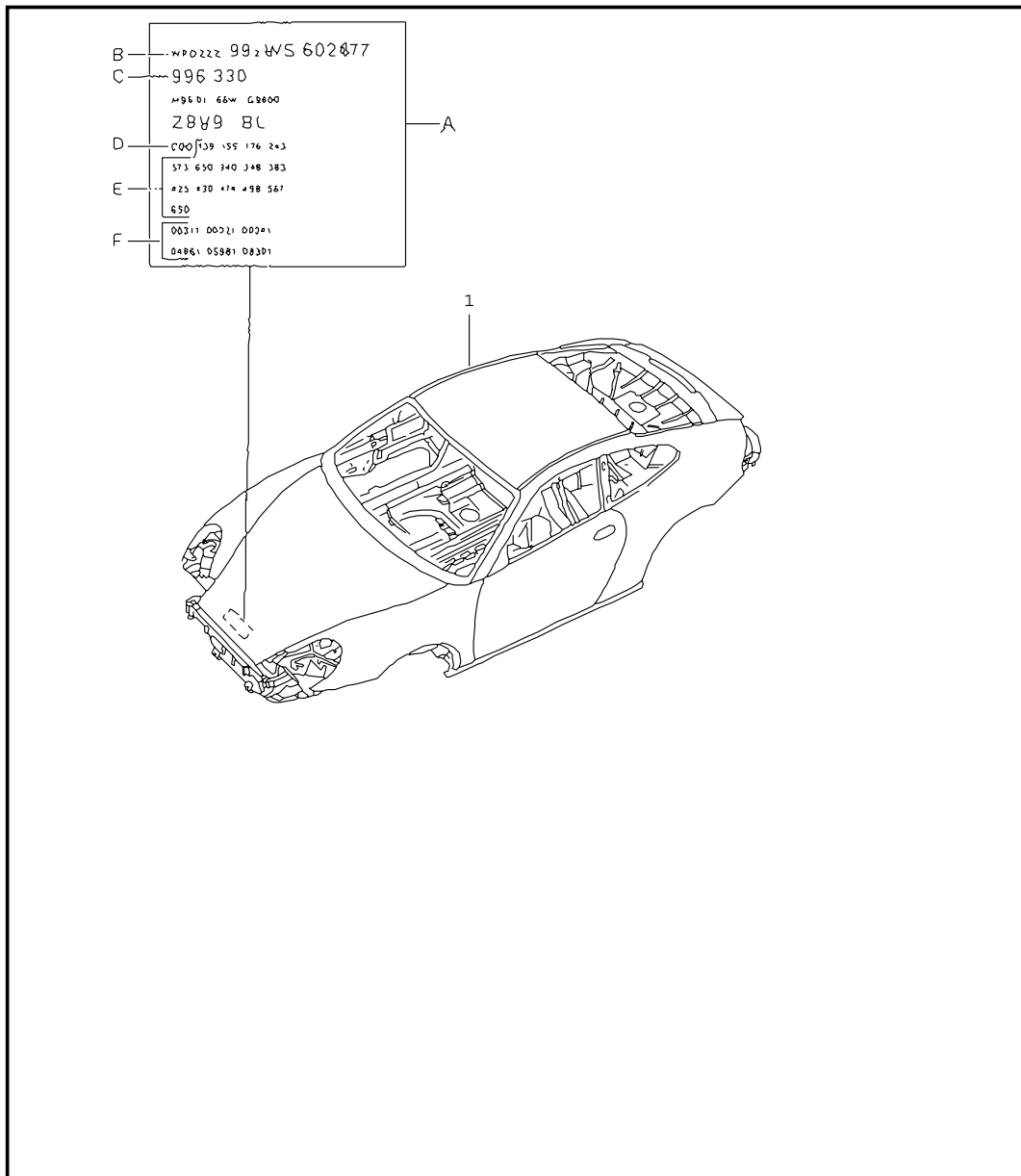


Pos	Part Number	Name	Remarks	Qty	Model
		pedals accelerator control			
1	996 423 021 09	accelerator control	/LL	1	M 480
(1)	996 423 022 09	accelerator control	/RL	1	M 480
(1)	996 423 023 09	accelerator control	/LL	1	M 249
(1)	996 423 024 09	accelerator control	/RL	1	M 249
(1)	996 423 025 09	accelerator control	/LL	1	M 480/454
(1)	996 423 026 09	accelerator control	/RL	1	M 480/454
(1)	996 423 027 09	accelerator control	/LL	1	M 249/454
(1)	996 423 028 09	accelerator control	/RL	1	M 249/454
(1)	996 423 019 03	accelerator control	/LL 99	1	M 620 M 339/480
			/LL -02	1	M 480/620
(1)	996 423 019 04	accelerator control	/LL 03-	1	M 480/620
(1)	996 423 029 03	accelerator control	/LL 99	1	M 620 M 339/249
			/LL -02	1	M 249/620
(1)	996 423 020 01	accelerator control	/RL 99	1	M 620 M 339/480
			/RL -02	1	M 480/620
(1)	996 423 020 02	accelerator control	/RL 03-	1	M 480/620
(1)	996 423 030 01	accelerator control	/RL 99	1	M 620 M 339/249
			/RL -02	1	M 249/620
(1)	996 423 030 02	accelerator control	/RL 03-	1	M 249/620
-	996 423 396 00	circlip connecting rod accelerator pedal	03-	1	
2	996 423 131 04	housing		1	
3	996 423 133 00	spring		1	
4	996 423 331 00	grommet		1	
(4)	803 803 583 A	plug		1	
5	996 423 229 04	accelerator cable	/LL	1	M 480
(5)	996 423 228 04	accelerator cable	/RL	1	M 480
(5)	996 423 279 04	accelerator cable	/LL	1	M 249

Model	Year	MG	SG	Illustration	Restrictions	Update	12:39	23.08.2006	PORSCHE	PET	PORSCHE
996	05	7	02	702-10		203					

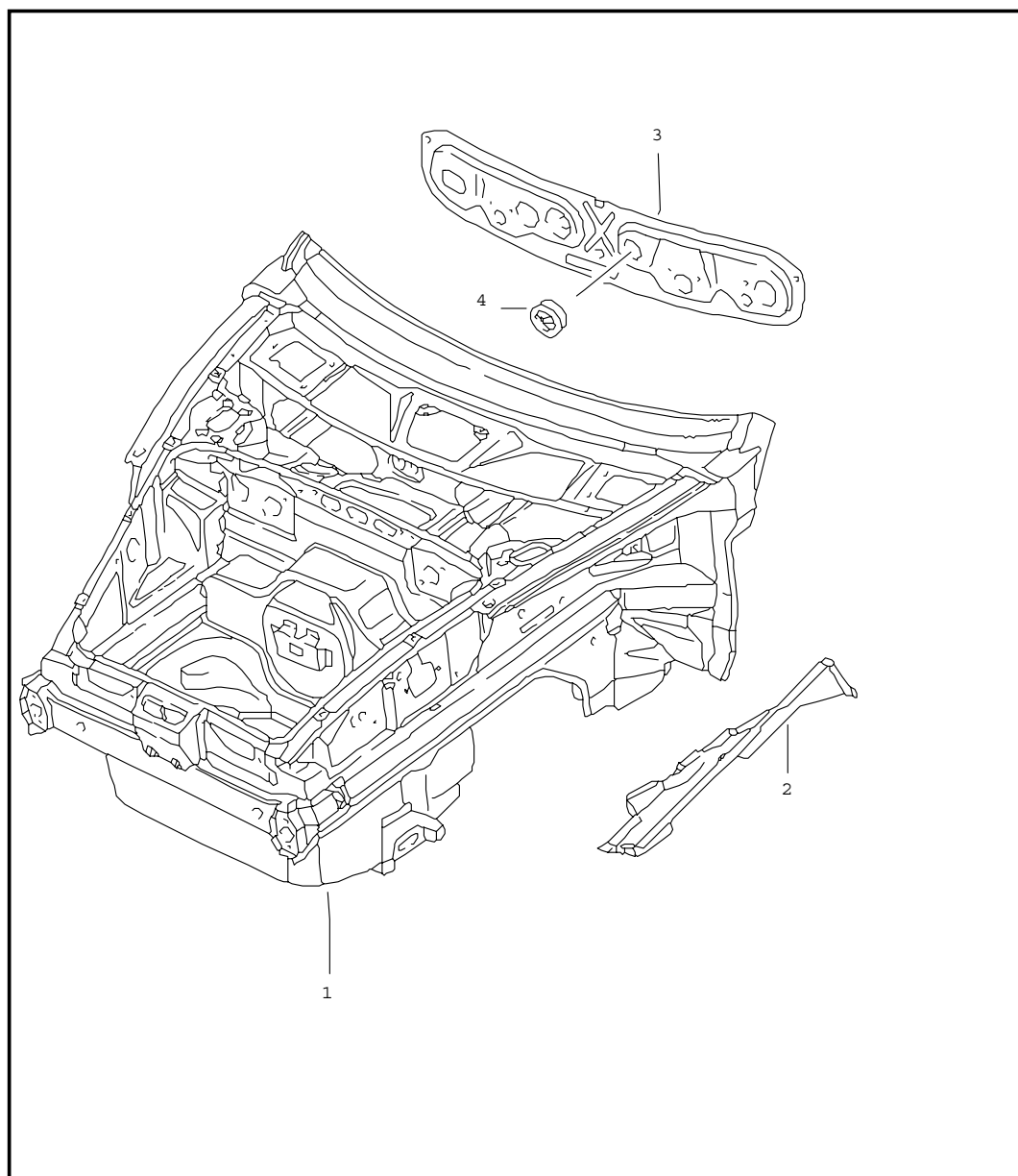
Pos	Part Number	Name	Remarks	Qty	Model	Pos	Part Number	Name	Remarks	Qty	Model
(5)	996 423 280 04	accelerator cable	/RL	1	M 249						
6	999 507 617 40	hose holder		1							
7	999 507 605 40	hose holder		1							
8	999 507 604 40	hose holder		1							
9	999 591 928 40	hose holder fuel line	/LL	1							
(9)	999 507 539 40	hose holder clutch pipeline	/LL	1	M 480						
10	996 606 115 00	gas pedal sensor	99 00-	1 1	M 620/339						
11	996 423 389 01	support	99 00-	1 1	M 620/339						
12	900 377 010 09	hexagon nut M 6	99 00-	5 5	M 620/339						
13	996 423 394 00	support	/RL 99 /RL 00-	1 1	M 620/339						
14	900 146 157 09	round head screw M 5 X 55		1							
		- - - E N D - - -									

Model	Year	MG	SG	Illustration	Restrictions	Update	12:39	23.08.2006	PORSCHE	PET	PORSCHE
996	05	8	01	801-00		203					



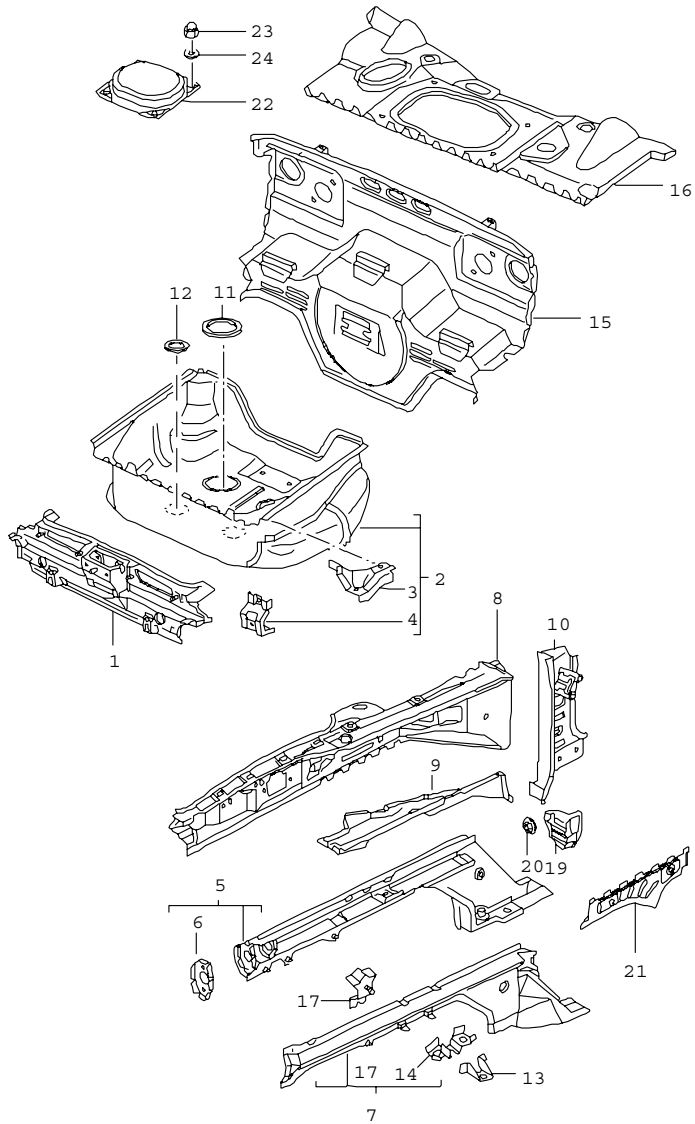
Pos	Part Number	Name	Remarks	Qty	Model
		body in white			
		prime coated			
		sealed			
		with			
		underbody protection			
		with			
		doors/lids/wings			
		bodyshells can only			
		be delivered of the			
		current model year			
		the data (b-f) that you			
		need for your order			
		please find in the data			
		vehicle data bank			
		please indicate this data			
		in your order			
A	-	data bank of the car			
B	-	vehicle identification no.			
C	-	order type			
D	-	country equipment			
E	-	optional extras			
F	-	additional applications			
1	996 500 900 00	body in white		1	
	GRV	prime coated			
		- - - E N D - - -			

Model	Year	MG	SG	Illustration	Restrictions	Update	12:39	23.08.2006	PORSCHE	PET	PORSCHE
996	05	8	01	801-05		203					



Pos	Part Number	Name	Remarks	Qty	Model
1	996 501 911 00	body front section		1	M 338
	GRV	prime coated			
(1)	996 501 911 01	body front section	/LL	1	M 339
	GRV	prime coated			
(1)	996 501 911 03	body front section	/RL	1	M 339
	GRV	prime coated			
		use also:			
2	996 501 443 00	bottom half	/L -01	1	
	GRV	prime coated			
(2)	996 501 444 01	bottom half	/R -01	1	
	GRV	prime coated			
(2)	996 501 443 01	bottom half	/L 02-	1	
	GRV	prime coated			
(2)	996 501 444 02	bottom half	/R 02-	1	
	GRV	prime coated			
3 A	996 504 121 00	cover	/LL	1	
	F	>>99YS6 00595			
	F	>>99YS6 40393			
(3)	996 504 121 02	cover	/LL	1	
		use also:			
--	000 043 300 94	adhesive set		1	
(3) A	996 504 121 01	cover	/RL	1	
	F	>>99YS6 00595			
	F	>>99YS6 40393			
(3)	996 504 121 03	cover	/RL	1	
		use also:			
--	000 043 300 94	adhesive set		1	
4	999 702 255 40	cover		1	
		61,5 X 72,6			
		- - - E N D - - -			

Model	Year	MG	SG	Illustration	Restrictions	Update	12:40	23.08.2006	PORSCHE	PET	PORSCHE
996	05	8	01	801-10		203					



Pos	Part Number	Name	Remarks	Qty	Model
		body front section single parts			
1	996 501 231 01	terminal piece	-01	1	
	GRV	prime coated			
1	996 501 231 02	terminal piece	02-	1	
	GRV	prime coated			
2	996 501 979 00	spare-wheel well		1	M 338
	GRV	prime coated			
(2)	996 501 979 01	spare-wheel well	99-	1	M 339
	GRV	prime coated			
-	996 501 473 00	support	99	2	M 339
	GRV	prime coated for control unit PSM			
3	996 501 649 00	corner panel	/L	1	
	GRV	prime coated			
(3)	996 501 650 00	corner panel	/R	1	
	GRV	prime coated			
4	996 501 621 00	support		3	
	GRV	prime coated			
5	996 501 305 04	side member	/L -01	1	
	GRV	prime coated			
(5)	996 501 306 04	side member	/R -01	1	
	GRV	prime coated			
(5)	996 501 305 05	side member	/L 02	1	
	GRV	prime coated			
(5) A	996 501 306 05	side member	/R 02	1	
	GRV	prime coated			
(5)	996 501 305 06	side member	/L 03-	1	
	GRV	prime coated			

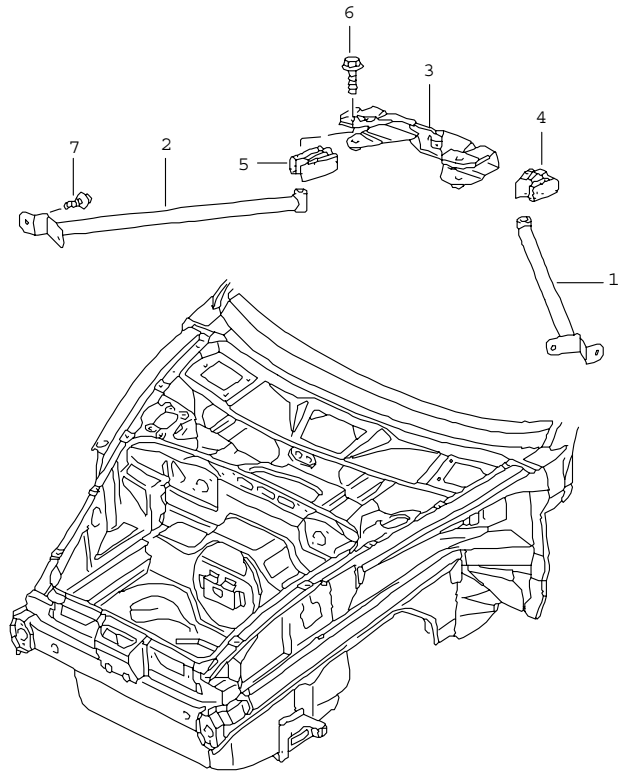
Model	Year	MG	SG	Illustration	Restrictions	Update	12:40	23.08.2006	PORSCHE	PET	PORSCHE
996	05	8	01	801-10		203					

Pos	Part Number	Name	Remarks	Qty	Model	Pos	Part Number	Name	Remarks	Qty	Model
(5)	996 501 306 06	side member	/R	1		10	996 501 937 01	hinge pillar	/L	1	
	GRV	prime coated					GRV	prime coated			
6	996 501 377 01	mounting		2		(10)	996 501 938 01	hinge pillar	/R	1	
	GRV	prime coated					GRV	prime coated			
7	996 501 915 00	side member	/L	1		11	996 504 201 01	cover \$ 145 MM		2	
	GRV	prime coated				12	996 504 213 01	cover \$ 85 MM		2	
	F	>>99WS6 06999				13	996 501 815 00	support		2	
	F	>>99WS6 40804					GRV	prime coated			
		it is necessary to rework					F	>>99WS6 06999			
		use also:					F	>>99WS6 40804			
		POS.13									
(7)	996 501 916 00	side member	/R	1		14	996 501 815 02	support		2	
	GRV	prime coated					GRV	prime coated			
	F	>>99WS6 06999					F	99WS6 07000>>			
	F	>>99WS6 40804					F	99WS6 40805>>			
		it is necessary to rework									
		use also:									
		POS.13									
8	996 501 935 00	wheel housing	/L -01	1		15	996 502 021 03	bulkhead		1	M 338
	GRV	prime coated					GRV	prime coated			
(8)	996 501 936 01	wheel housing	/R -01	1		(15) A	996 502 021 04	bulkhead	/LL	1	M 339
	GRV	prime coated					GRV	prime coated			
(8)	996 501 935 01	wheel housing	/L 02-	1		(15)	996 502 015 02	bulkhead	/LL	1	M 339
	GRV	prime coated					GRV	prime coated			
(8)	996 501 936 02	wheel housing	/R 02-	1		(15)	996 502 021 05	bulkhead	/RL -01	1	M 339
	GRV	prime coated					GRV	prime coated			
9	996 501 443 00	bottom half	/L -00	1		(15)	996 502 015 03	bulkhead	/RL 02-	1	M 339
	GRV	prime coated					GRV	prime coated			
(9)	996 501 444 01	bottom half	/R -00	1		16	996 502 017 01	cross panel	-99	1	M 338
	GRV	prime coated					GRV	prime coated			
(9)	996 501 443 01	bottom half	/L 01-	1		16	996 502 017 04	cross panel	00-	1	M 338
	GRV	prime coated					GRV	prime coated			
(9)	996 501 444 02	bottom half	/R 01-	1		(16)	996 502 017 03	cross panel	-01	1	M 339
	GRV	prime coated					GRV	prime coated			

Model	Year	MG	SG	Illustration	Restrictions	Update	12:40	23.08.2006	PORSCHE	PET	PORSCHE
996	05	8	01	801-10		203					

Pos	Part Number	Name	Remarks	Qty	Model	Pos	Part Number	Name	Remarks	Qty	Model
(16)	996 502 017 05	cross panel	02-	1	M 339						
	GRV	prime coated									
-	996 504 665 00	cover	/LL	1	M 339						
-	996 504 665 01	cover bulkhead	/RL	1	M 339						
17	996 501 341 00	support		2							
	GRV	prime coated									
19	996 504 461 00	cover	/L	1							
(19)	996 504 462 00	cover	/R	1							
20	999 084 629 09	hexagon nut M 6		6							
-	996 504 761 01	seal	/L	1							
-	996 504 762 01	seal	/R	1							
-	999 507 760 40	expansion rivet 6,5 X 20		4							
21	996 501 665 00	separator	/L	1							
	GRV	prime coated									
(21)	996 501 666 00	separator	/R	1							
	GRV	prime coated									
22	996 504 471 00	cover		1	M 339						
	01C	satin black bulkhead									
23	900 096 006 01	cap nut M 6		4	M 339						
24	N 011 524 7	washer A 6,4		4	M 339						
		- - - E N D - - -									

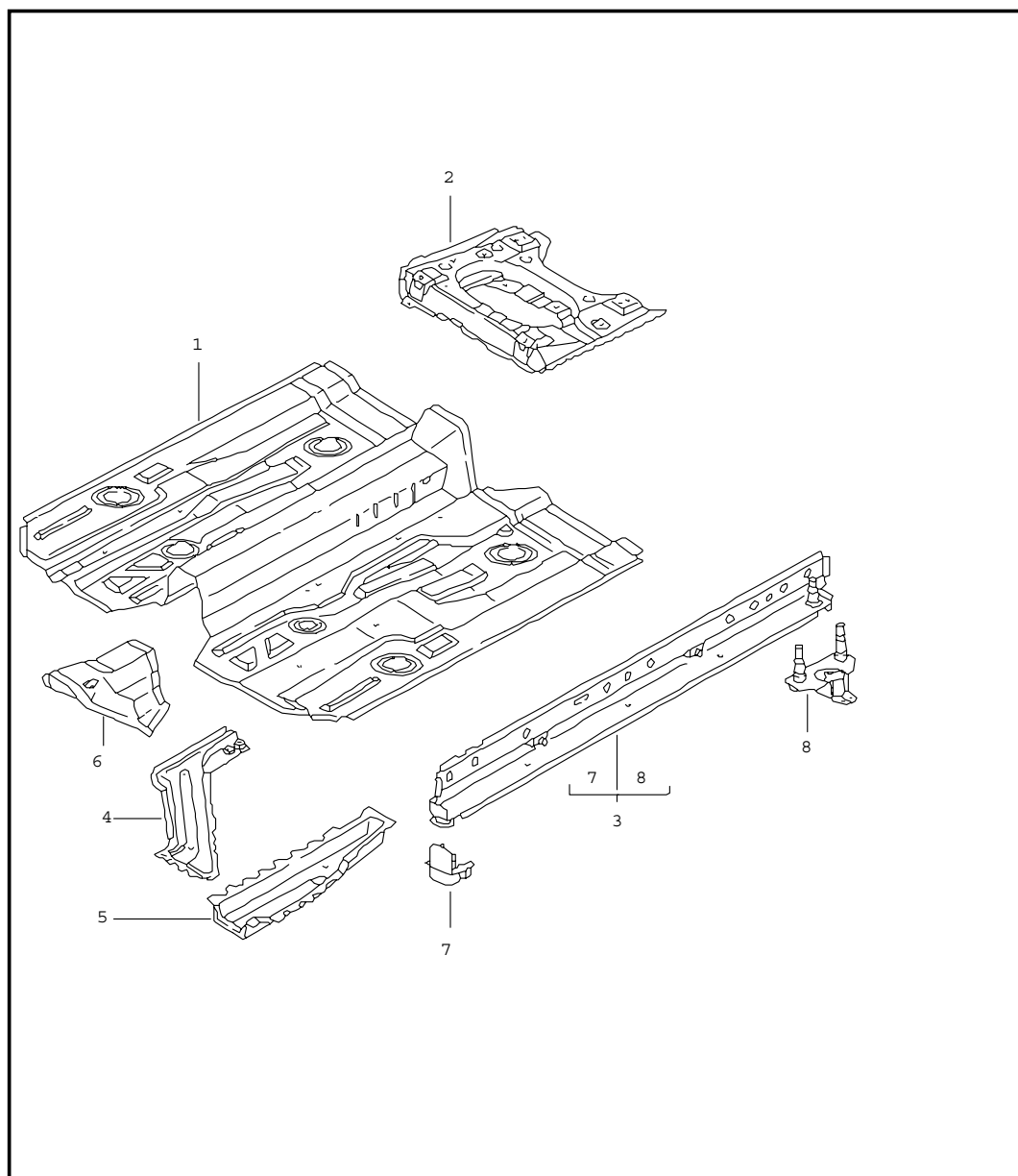
Model	Year	MG	SG	Illustration	Restrictions	Update	12:40	23.08.2006	PORSCHE	PET	PORSCHE
996	05	8	01	801-15		203					



Pos	Part Number	Name	Remarks	Qty	Model
		dome strut			
1	A 996 504 233 00	dome strut	/L -02	1	
1	996 504 233 01	dome strut	/L	1	
2	A 996 504 234 00	dome strut	/R -02	1	
2	996 504 234 01	dome strut	/R	1	
3	996 504 359 00	bracket		1	
4	996 504 633 00	filler piece	/L	1	
5	996 504 634 00	filler piece	/R	1	
6	900 378 100 09	hexagon-head bolt AM 10 X 45		2	
7	900 075 010 09	screw M 6 X 12		4	
- - - E N D - - -					



Model	Year	MG	SG	Illustration	Restrictions	Update	12:40	23.08.2006	PORSCHE	PET	PORSCHE
996	05	8	01	801-20		203					

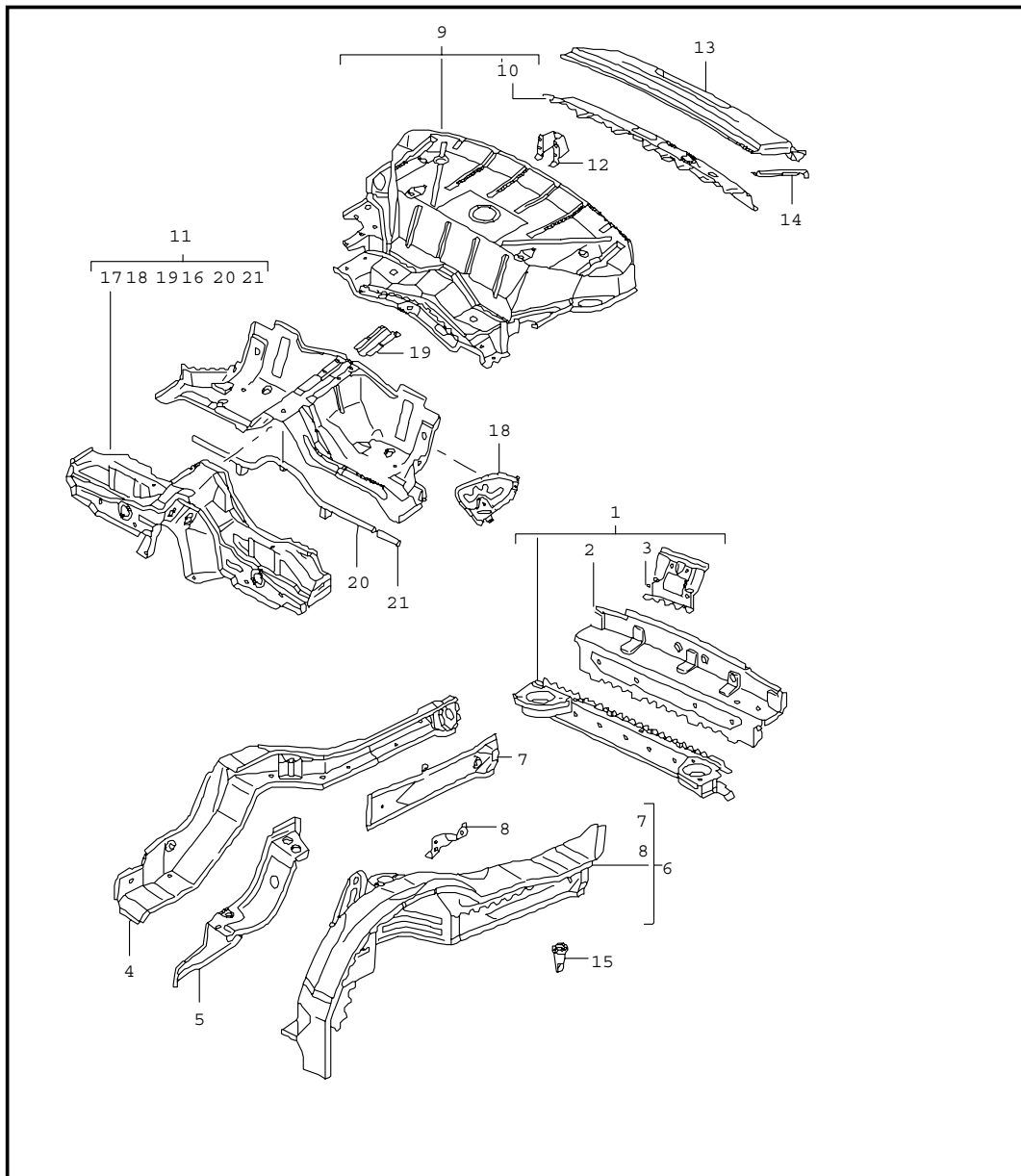


Pos	Part Number	Name	Remarks	Qty	Model
		floor centre			
1	996 501 551 00	floor		1	
	GRV	prime coated			
2	996 501 153 00	seat support	/L	1	
	GRV	prime coated			
(2)	996 501 154 00	seat support	/R	1	
	GRV	prime coated			
3	996 501 957 00	side member	/L -01	1	
	GRV	prime coated			
(3)	996 501 957 01	side member	/L -02	1	
	GRV	prime coated			
(3)	996 501 957 03	side member	/L 03-	1	
	GRV	prime coated			
(3)	996 501 958 01	side member	/R -01	1	
	GRV	prime coated			
(3)	996 501 958 02	side member	/R -02	1	
	GRV	prime coated			
(3)	996 501 958 04	side member	/R 03-	1	
	GRV	prime coated			
4	996 501 507 02	reinforcement	/L	1	
	GRV	prime coated			
(4)	996 501 508 02	reinforcement	/R	1	
	GRV	prime coated			
5	996 501 525 00	side member	/L	1	
	GRV	prime coated			
(5)	996 501 526 00	side member	/R	1	
	GRV	prime coated			
6	996 501 751 00	extension		1	
	GRV	prime coated			

Model	Year	MG	SG	Illustration	Restrictions	Update	12:40	23.08.2006	PORSCHE	PET	PORSCHE
996	05	8	01	801-20		203					

Pos	Part Number	Name	Remarks	Qty	Model	Pos	Part Number	Name	Remarks	Qty	Model
7	996 501 785 00	jacking point	/L/V	1							
	GRV	prime coated									
(7)	996 501 786 00	jacking point	/R/V	1							
	GRV	prime coated									
8	996 501 481 01	jacking point	/L/H	1							
	GRV	prime coated									
(8)	996 501 482 01	jacking point	/R/H	1							
	GRV	prime coated									
-	996 504 201 01	cover		X							
		\$ 145 MM									
-	996 504 205 01	cover		X							
		\$ 130 MM									
-	996 504 207 01	cover		X							
		\$ 100 MM									
		- - - E N D - - -									

Model	Year	MG	SG	Illustration	Restrictions	Update	12:40	23.08.2006	PORSCHE	PET	PORSCHE
996	05	8	01	801-35		203					



Pos	Part Number	Name	Remarks	Qty	Model
		rear end			
1	996 501 973 00	terminal piece		1	
	GRV	prime coated			
2 A	996 501 273 01	end plate	-01	1	
	GRV	prime coated see tpi group 8 Nr.51			
2	996 501 273 02	end plate		1	
	GRV	prime coated see tpi group 8 Nr.51			
3	996 501 247 00	lock carrier		1	
	GRV	prime coated F >>99WS6 00563			
3	996 501 247 01	lock carrier		1	
	GRV	prime coated F 99WS6 00564>>			
4	996 501 977 00	side member	/L	1	
	GRV	prime coated			
(4)	996 501 978 00	side member	/R	1	
	GRV	prime coated			
5	996 501 933 00	side member	/L	1	
	GRV	prime coated outer			
(5)	996 501 934 00	side member	/R	1	
	GRV	prime coated outer			
6	996 501 943 00	wheel housing	/L	1	
	GRV	prime coated it is necessary to rework see workshop manual			CABRIO
(6) A	996 501 184 00	wheel housing	/R	1	

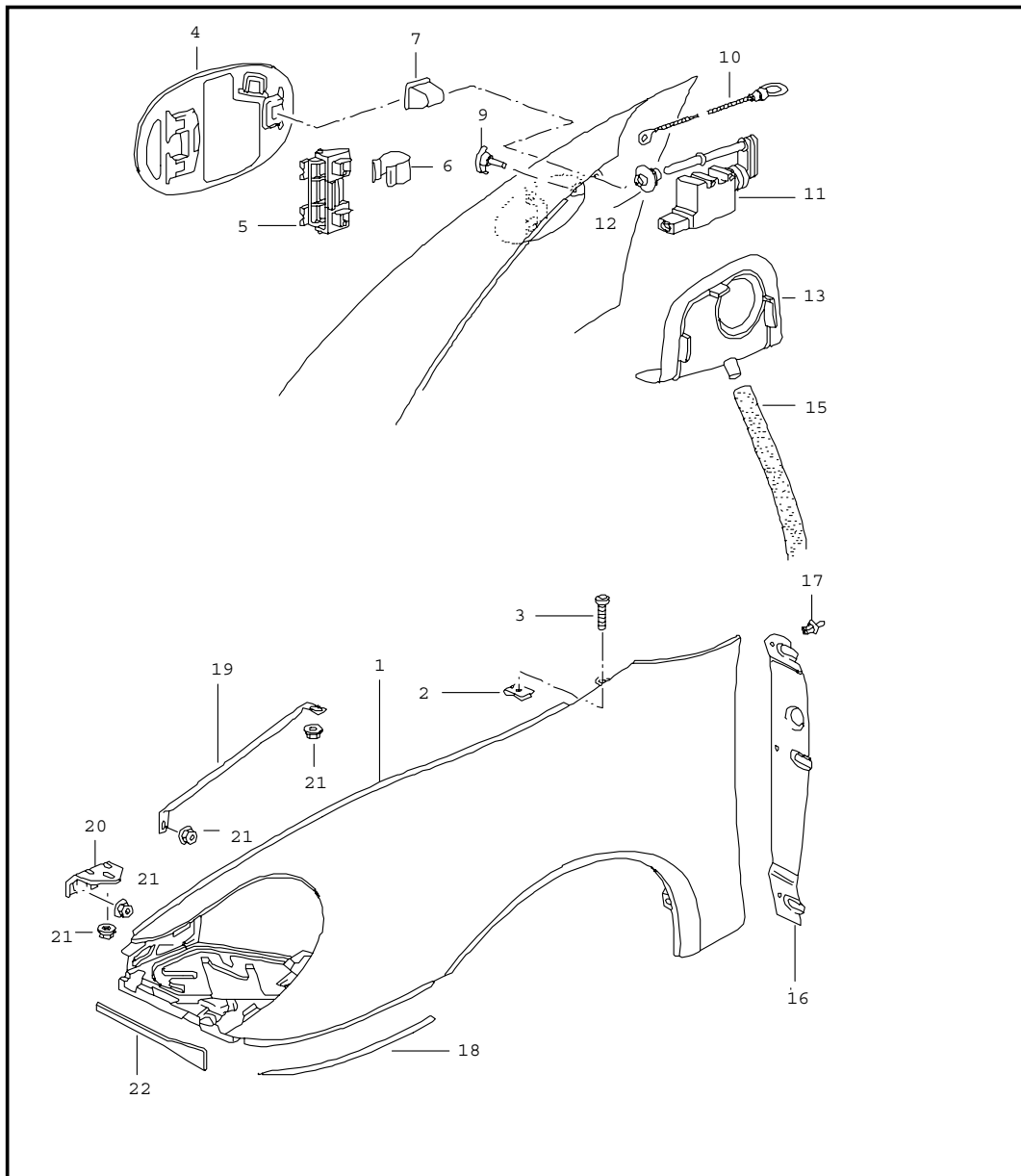
Model	Year	MG	SG	Illustration	Restrictions	Update	12:40	23.08.2006	PORSCHE	PET	PORSCHE
996	05	8	01	801-35		203					

Pos	Part Number	Name	Remarks	Qty	Model	Pos	Part Number	Name	Remarks	Qty	Model
		GRV prime coated it is necessary to rework see workshop manual			CABRIO			GRV prime coated upper part			
(6)	996 501 944 00	wheel housing	/R	1		(10)	996 502 561 01	cross member		1	C4S CABRIO
		GRV prime coated it is necessary to rework see workshop manual			CABRIO			GRV prime coated upper part			
7	A 996 501 595 00	side member	/L -99	1		11	996 501 949 00	seat well	-01	1	
		GRV prime coated				(11)	996 501 049 03	seat well	02-	1	
7	996 501 595 01	side member	/L	1				GRV prime coated			
		GRV prime coated				12	996 502 525 00	bracket		1	CABRIO
(7)	A 996 501 596 00	side member	/R -99	1				GRV prime coated			
		GRV prime coated				13	996 503 211 00	rear centre panel		1	COUPE
(7)	996 501 596 01	side member	/R	1				GRV prime coated			
		GRV prime coated				(13)	996 503 211 01	rear centre panel		1	COUPE, M 425
8	996 501 571 00	bracket	/L	1	CABRIO			GRV prime coated			
		GRV prime coated				(13)	996 503 211 04	rear centre panel		1	C4S
(8)	996 501 572 00	bracket	/R	1	CABRIO			GRV prime coated			
		GRV prime coated				(13)	996 503 211 03	rear centre panel		1	C4S M425
9	996 502 911 00	rear wall		1				GRV prime coated			
		GRV prime coated order also: POS. 12 see workshop manual			CABRIO	14	996 545 549 00	pipng	/L	1	COUPE
						14	996 545 549 02	pipng	/L	1	TARGA
10	996 502 673 00	cross member		1	COUPE	14	996 545 549 03	pipng	/L 02-	1	C4S
		GRV prime coated				(14)	996 545 550 00	pipng	/R	1	COUPE
10	996 502 673 03	cross member		1	C4S COUPE	(14)	996 545 550 02	pipng	/R	1	TARGA
		GRV prime coated				(14)	996 545 550 03	pipng	/R 02-	1	C4S
(10)	996 502 673 01	cross member		1	CABRIO	15	996 561 825 00	water drain valve wheel housing rear		2	
		GRV prime coated				16	996 501 549 03	seat well		1	
(10)	996 502 673 07	cross member		1	C4S CABRIO			GRV prime coated			
		GRV prime coated				17	996 501 155 02	cross member		1	
(10)	996 502 561 00	cross member		1	CABRIO						

Model	Year	MG	SG	Illustration	Restrictions	Update	12:40	23.08.2006	PORSCHE	PET	PORSCHE
996	05	8	01	801-35		203					

Pos	Part Number	Name	Remarks	Qty	Model	Pos	Part Number	Name	Remarks	Qty	Model
		GRV prime coated									
18	996 501 461 02	reinforcement	/L	1							
		GRV prime coated									
(18)	996 501 462 02	reinforcement	/R	1							
		GRV prime coated									
19	996 501 659 01	bracket		1							
		GRV prime coated									
20	996 501 411 00	pipe		1							
		GRV prime coated									
21	996 501 415 00	sleeve		2							
		GRV prime coated									
		- - - E N D - - -									

Model	Year	MG	SG	Illustration	Restrictions	Update	12:41	23.08.2006	PORSCHE	PET	PORSCHE
996	05	8	01	801-40		203					

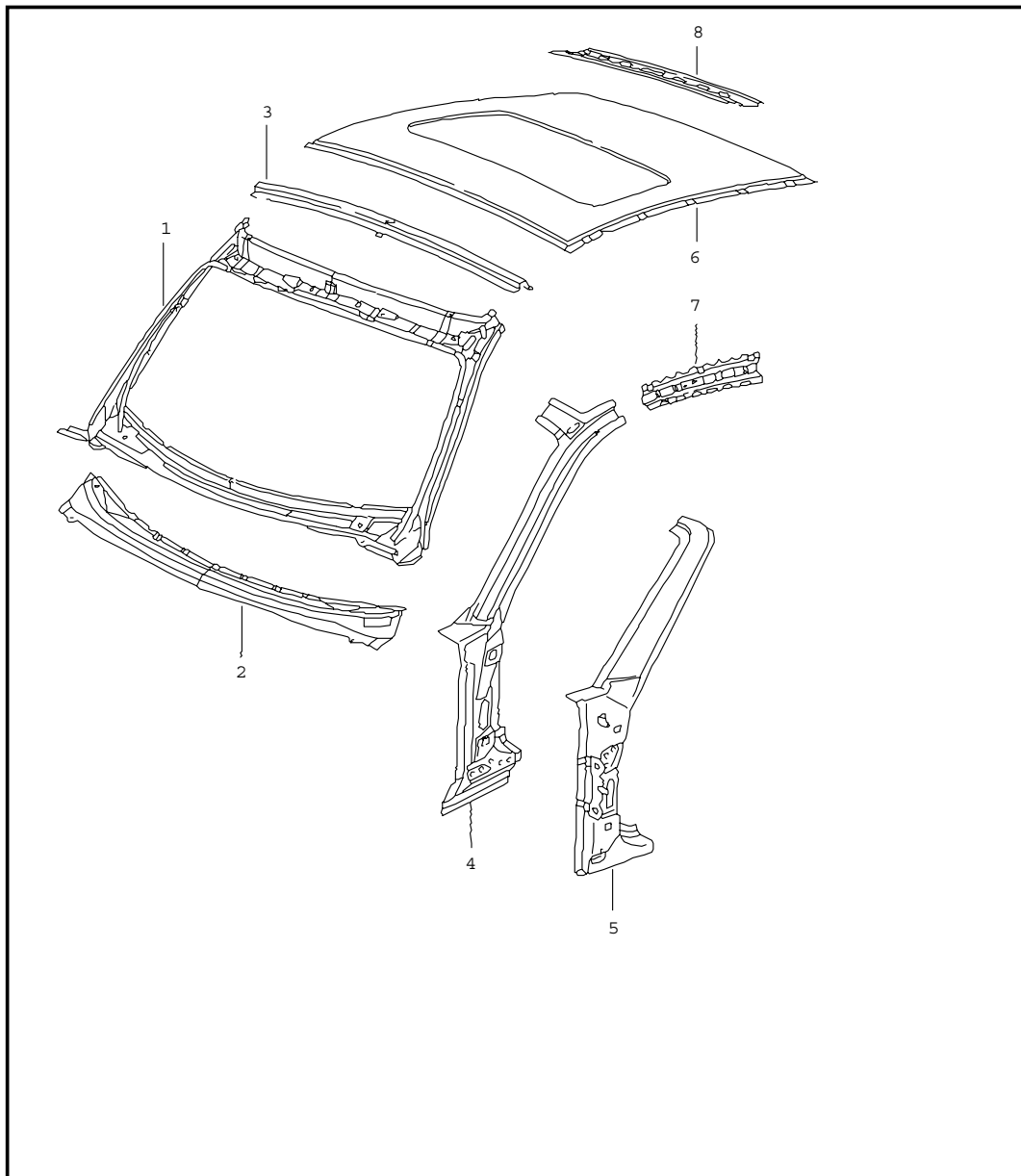


Pos	Part Number	Name	Remarks	Qty	Model
1	996 503 031 01	wing	/L -01	1	
	GRV	prime coated			
(1)	996 503 032 04	wing	/R -01	1	
	GRV	prime coated			
(1)	996 503 031 03	wing	/L 02-	1	
	GRV	prime coated			
(1)	996 503 032 05	wing	/R 02-	1	
	GRV	prime coated			
2	999 507 003 02	speed nut ST 6,3		22	
3	999 073 128 02	tapping screw ST 6,3 X 14		22	
4	996 504 133 02	fuel filler flap	-01	1	
	GRV	prime coated			
4	996 504 133 01	fuel filler flap	02-	1	
	GRV	prime coated			
5	996 201 063 00	hinge		1	
6	996 201 413 01	spring		1	
7	996 201 423 00	cap		1	
9	996 201 513 00	rubber stop		1	
10	996 201 493 00	emergency operation		1	
11	996 624 113 00	actuator		1	
12	996 624 505 02	guide rose		1	
13	996 201 667 01	sleeve		1	
15	996 201 153 00	hose		1	
16	996 504 641 01	cover	/L	1	
	01C	black			
(16)	996 504 642 01	cover	/R	1	
	01C	black			

Model	Year	MG	SG	Illustration	Restrictions	Update	12:41	23.08.2006	PORSCHE	PET	PORSCHE
996	05	8	01	801-40		203					

Pos	Part Number	Name	Remarks	Qty	Model	Pos	Part Number	Name	Remarks	Qty	Model
17	999 591 712 40	expansion rivet A 6,0 X 12,0		6							
18	996 504 531 00	protective film	/L	1							
(18)	996 504 532 00	protective film	/R	1							
19	996 504 441 00	strut		2							
	GRV	prime coated									
20	996 504 555 00	support		2							
	GRV	prime coated									
21	900 377 010 09	nut M 6		X							
22	996 504 617 00	protective film	02-	2							
		- - - E N D - - -									

Model	Year	MG	SG	Illustration	Restrictions	Update	12:41	23.08.2006	PORSCHE	PET	PORSCHE
996	05	8	01	801-45		203					



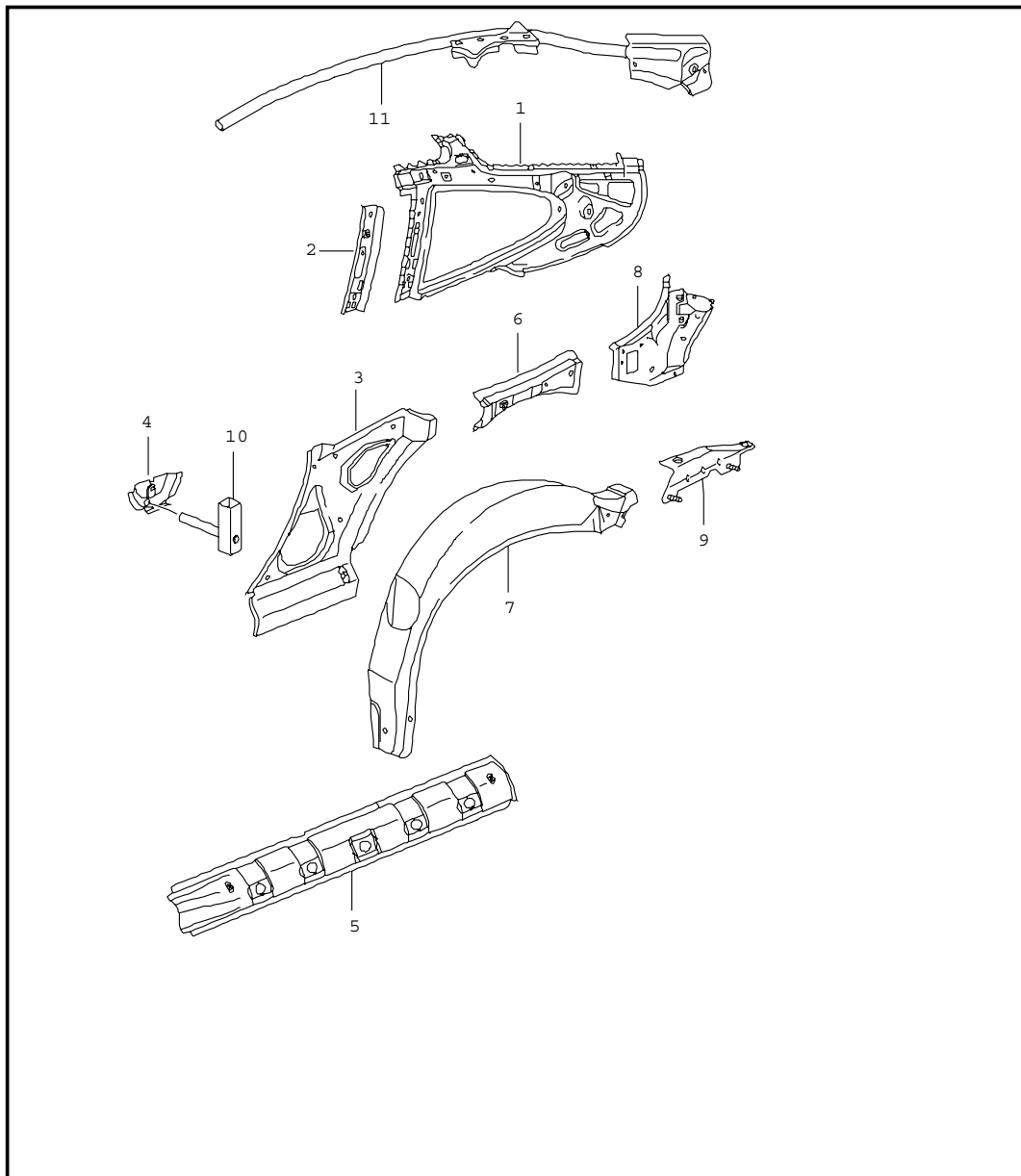
Pos	Part Number	Name	Remarks	Qty	Model
1	A 996 502 137 05	cowl cowl see group 8/07/09 sun visor		1	COUPE
1	996 502 137 08	cowl see group 8/07/09 sun visor		1	COUPE
(1)	996 502 137 04	cowl GRV prime coated inner		1	CABRIO
(1)	996 502 137 07	cowl GRV prime coated inner		1	TARGA
2	A 996 502 527 00	cowl GRV prime coated outer		1	
2	996 502 527 01	cowl GRV prime coated outer		1	
3	996 502 529 00	cowl GRV prime coated outer		1	CABRIO
3	996 502 529 01	cowl GRV prime coated outer		1	TARGA
4	996 502 135 02	reinforcement GRV prime coated inner	/L	1	COUPE
(4)	996 502 136 02	reinforcement GRV prime coated inner	/R	1	COUPE
(4)	996 502 135 00	reinforcement GRV prime coated inner	/L	1	CABRIO
(4)	996 502 136 00	reinforcement	/R	1	CABRIO



Model	Year	MG	SG	Illustration	Restrictions	Update	12:41	23.08.2006	PORSCHE	PET	PORSCHE
996	05	8	01	801-45		203					

Pos	Part Number	Name	Remarks	Qty	Model	Pos	Part Number	Name	Remarks	Qty	Model
	GRV	prime coated inner				8	A 996 502 505 00	roof frame		1	
(4)	996 502 135 03	reinforcement	/L	1	TARGA		GRV	prime coated			
	GRV	prime coated inner				8	996 502 505 01	roof frame		1	
(4)	996 502 136 03	reinforcement	/R	1	TARGA		GRV	prime coated			
	GRV	prime coated inner				-	996 504 911 00	plate with threaded pin		X	
5	996 502 335 00	hinge pillar	/L	1	CABRIO	-	996 504 505 00	threaded bush		X	
	GRV	prime coated				-	900 025 008 09	washer A 10,5		X	
(5)	996 502 336 00	hinge pillar	/R	1	CABRIO	-	996 502 737 00	captive nut M 6 cowl		2	CABRIO
	GRV	prime coated									
(6)	996 503 501 00	outer roof panel		1		-	997 502 739 00	captive nut M 6 cowl		1	CABRIO
	GRV	prime coated									
6	996 503 087 00	outer roof panel	-01	1	M 650						
	GRV	prime coated									
6	996 503 087 03	outer roof panel	02-	1	M 650						
	GRV	prime coated									
		use also:									
-	000 043 204 38	sealing material 70 ML see technical manual		X							
-	996 504 801 00	filler piece roof transport system		2							
7	996 502 305 00	roof frame	/L -00	1	COUPE						
	GRV	prime coated									
7	996 502 305 03	roof frame	/L 01-	1	COUPE						
	GRV	prime coated									
(7)	996 502 306 00	roof frame	/R -00	1	COUPE						
	GRV	prime coated									
(7)	996 502 306 03	roof frame	/R 01-	1	COUPE						
	GRV	prime coated									

Model	Year	MG	SG	Illustration	Restrictions	Update	12:41	23.08.2006	PORSCHE	PET	PORSCHE
996	05	8	01	801-50		203					

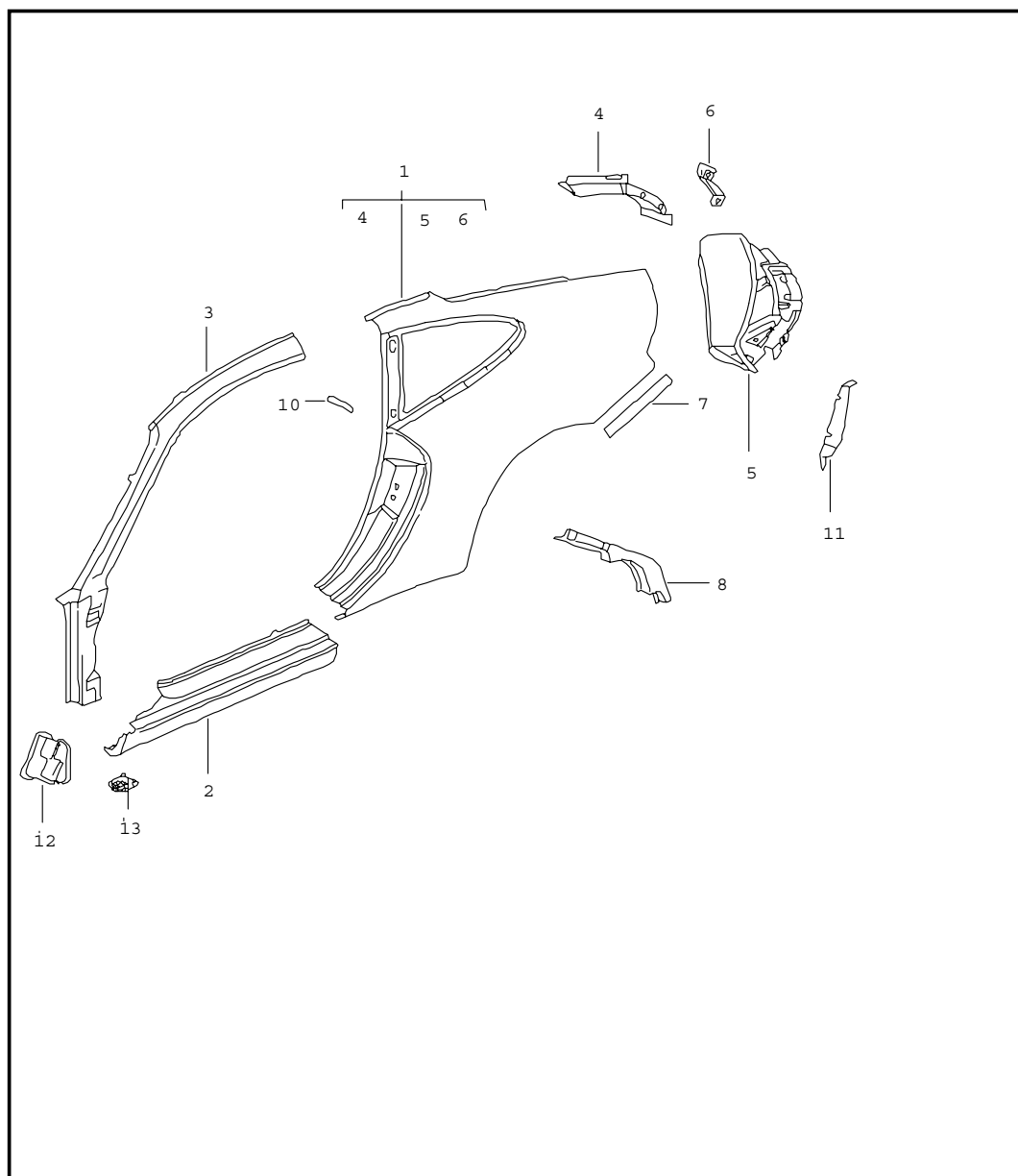


Pos	Part Number	Name	Remarks	Qty	Model
		side section inner			COUPE/TARGA
(1)	996 502 043 01	side section	/L	1	TARGA
	GRV	prime coated			
1	996 502 043 02	side section	/L	1	COUPE
	GRV	prime coated			
(1)	996 502 044 01	side section	/R	1	TARGA
	GRV	prime coated			
(1)	996 502 044 02	side section	/R	1	COUPE
	GRV	prime coated			
2	996 502 423 00	reinforcement	/L	1	
	GRV	prime coated			
2	996 502 423 01	reinforcement	/L 00-	1	
	GRV	prime coated			
(2)	996 502 424 00	reinforcement	/R	1	
	GRV	prime coated			
(2)	996 502 424 01	reinforcement	/R 00-	1	
	GRV	prime coated			
(2)	996 502 423 02	reinforcement	/L 01-	1	COUPE/TARGA
	GRV	prime coated			
(2)	996 502 424 02	reinforcement	/R 01-	1	COUPE/TARGA
	GRV	prime coated			
3	996 502 083 00	side section	/L -01	1	
	GRV	prime coated			
3	996 502 083 02	side section	/L 02-	1	COUPE/TARGA
	GRV	prime coated			
(3)	996 502 084 00	side section	/R -01	1	
	GRV	prime coated			
(3)	996 502 084 02	side section	/R 02-	1	COUPE/TARGA
	GRV	prime coated			

Model	Year	MG	SG	Illustration	Restrictions	Update	12:41	23.08.2006	PORSCHE	PET	PORSCHE
996	05	8	01	801-50		203					

Pos	Part Number	Name	Remarks	Qty	Model	Pos	Part Number	Name	Remarks	Qty	Model
4	996 502 383 01	bracket		2	COUPE/TARGA	(9)	996 502 220 01	end plate	/R	1	COUPE/TARGA
	GRV	prime coated					GRV	prime coated			
5 A	996 502 733 00	reinforcement	/L	1		10	996 502 617 00	pipe	02-	2	
	GRV	prime coated					GRV	prime coated			
5	996 502 733 01	reinforcement	/L	1	COUPE/TARGA	11	996 502 619 00	pipe	/L 02-	1	
	GRV	prime coated					GRV	prime coated			
(5)	996 502 734 00	reinforcement	/R	1		(11)	996 502 620 00	pipe	/R 02-	1	
	GRV	prime coated					GRV	prime coated			
(5)	996 502 734 01	reinforcement	/R	1	COUPE/TARGA			- - - E N D - - -			
	GRV	prime coated									
6	996 502 115 00	side section	/L	1	COUPE/TARGA						
	GRV	prime coated									
(6)	996 502 116 00	side section	/R	1	COUPE/TARGA						
	GRV	prime coated									
7	996 502 515 00	wheel housing	/L	1	COUPE/TARGA						
	GRV	prime coated									
(7)	996 502 516 00	wheel housing	/R	1	COUPE/TARGA						
	GRV	prime coated									
(7)	996 502 215 01	wheel housing	/L	1	C4S						
	GRV	prime coated POS. 7+9									
(7)	996 502 216 01	wheel housing	/R	1	C4S						
	GRV	prime coated POS. 7+9									
8	996 502 161 01	side section	/L	1	COUPE/TARGA						
	GRV	prime coated									
(8)	996 502 162 01	side section	/R	1	COUPE/TARGA						
	GRV	prime coated									
9	996 502 219 01	end plate	/L	1	COUPE/TARGA						
	GRV	prime coated									

Model	Year	MG	SG	Illustration	Restrictions	Update	12:41	23.08.2006	PORSCHE	PET	PORSCHE
996	05	8	01	801-55		203					



Pos	Part Number	Name	Remarks	Qty	Model
		side section outer			COUPE
1	A 996 503 961 00	side section	/L -99	1	
	GRV	prime coated			
1	996 503 961 02	side section	/L -01	1	
	GRV	prime coated			
1	996 503 961 05	side section	/L 02-	1	
	GRV	prime coated			
(1)	996 503 962 00	side section	/R -01	1	
	GRV	prime coated			
(1)	996 503 962 05	side section	/R 02-	1	
	GRV	prime coated			
(1)	996 503 961 08	side section	/L	1	C4S
	GRV	prime coated			
(1)	996 503 962 08	side section	/R	1	C4S
	GRV	prime coated			
		use also:			
-	999 915 650 40	adhesive TEROMIX 6700		X	
-	000 043 300 48	tool see technical manual group 5 53 55 55		X	
2	996 503 963 00	door sill	/L	1	
	GRV	prime coated			
(2)	996 503 964 00	door sill	/R	1	
	GRV	prime coated			
(2)	996 503 963 02	door sill	/L	1	C4S
	GRV	prime coated			
(2)	996 503 964 02	door sill	/R	1	C4S
	GRV	prime coated			
3	996 503 965 00	roof frame	/L -01	1	

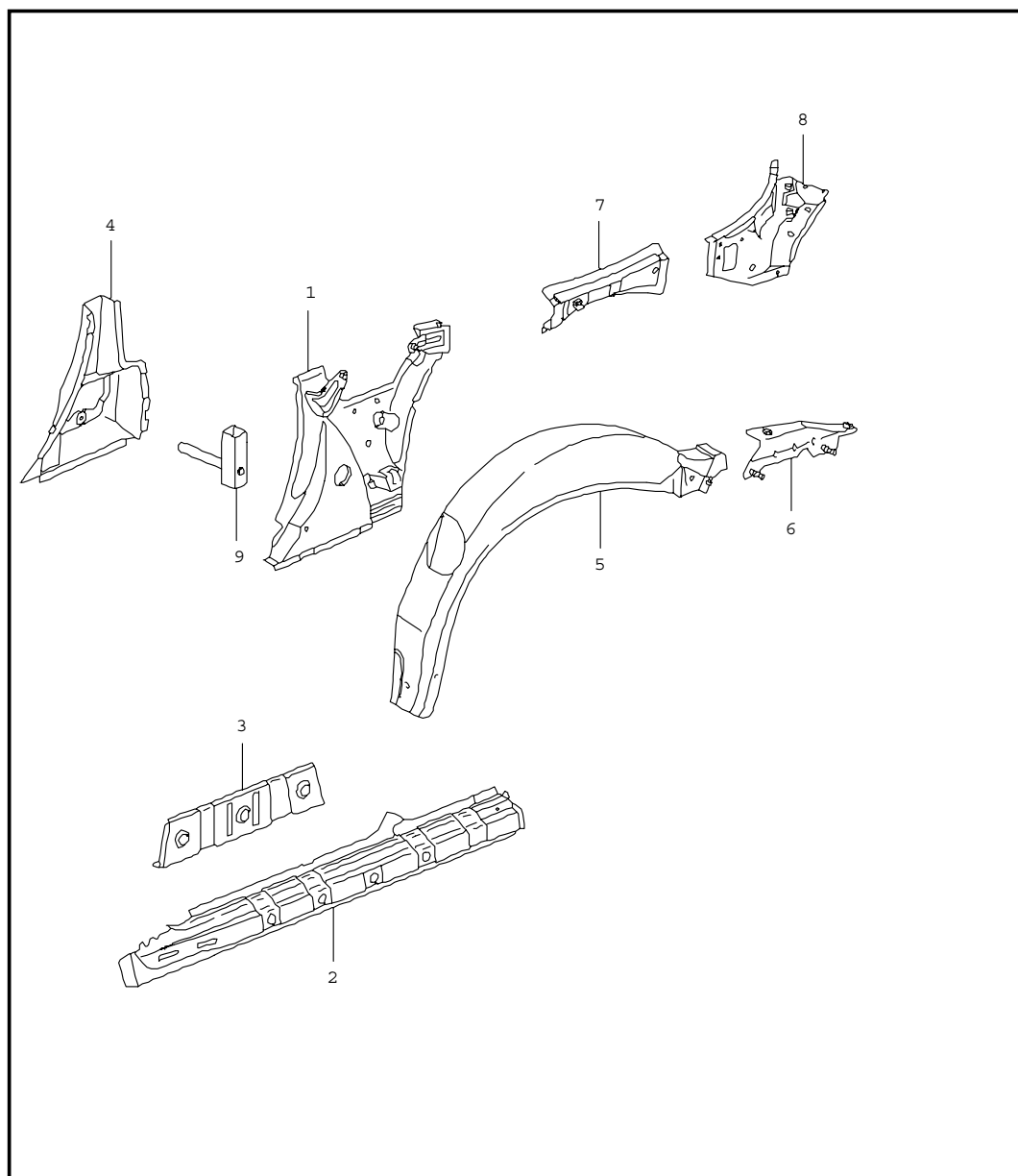
Model	Year	MG	SG	Illustration	Restrictions	Update	12:41	23.08.2006	PORSCHE	PET	PORSCHE
996	05	8	01	801-55		203					

Pos	Part Number	Name	Remarks	Qty	Model	Pos	Part Number	Name	Remarks	Qty	Model
		GRV prime coated				(6)	996 502 214 03	bracket	/R 02-	1	
3	996 503 965 02	roof frame	/L 02-	1			GRV prime coated				
		GRV prime coated				(6)	996 502 213 01	bracket	/L	1	C4S
(3)	996 503 966 00	roof frame	/R -01	1			GRV prime coated				
		GRV prime coated				(6)	996 502 214 01	bracket	/R	1	C4S
(3)	996 503 966 02	roof frame	/R 02-	1			GRV prime coated				
		GRV prime coated				7	996 504 631 00	protective film	/L	1	
4	996 502 665 00	sealing channel	/L	1		(7)	996 504 632 00	protective film	/R	1	
		GRV prime coated				(8)	996 504 907 00	gasket	/L	1	
(4)	996 502 666 00	sealing channel	/R	1		(8)	996 504 908 00	gasket see workshop manual	/R	1	
		GRV prime coated				10	996 537 237 00	protective film		2	
4	996 502 665 03	sealing channel	/L	1	C4S	11 A	996 501 855 00	angular plate	/L -00	1	
		GRV prime coated					GRV prime coated				
(4)	996 502 666 03	sealing channel	/R	1	C4S	11	996 501 855 02	angular plate	/L	1	
		GRV prime coated					GRV prime coated				
5	996 502 461 04	frame for light	/L	1		11	996 501 855 03	angular plate	/L 01-	1	
		GRV prime coated					GRV prime coated				
5	996 502 461 01	frame for light	/L	1	C4S	(11)	996 501 487 00	angular plate	/L 02-	1	C4S
		GRV prime coated					GRV prime coated				
(5)	996 502 462 03	frame for light	/R	1		(11)	996 501 856 00	angular plate	/R -00	1	
		GRV prime coated					GRV prime coated				
(5)	996 502 462 01	frame for light	/R	1	C4S	(11)	996 501 856 03	angular plate	/R 01-	1	
		GRV prime coated					GRV prime coated				
6	996 502 213 00	bracket	/L -01	1		(11)	996 501 488 00	angular plate	/R 02-	1	C4S
		GRV prime coated					GRV prime coated				
6	996 502 213 03	bracket	/L 02-	1		12	996 572 311 00	water protection	/L	1	
		GRV prime coated				(12)	996 572 312 00	water protection	/R	1	
(6)	996 502 214 00	bracket	/R -01	1		13	999 703 475 40	drain tube door sill		2	
		GRV prime coated									

Model	Year	MG	SG	Illustration	Restrictions	Update					
996	05	8	01	801-55		203	12:41	23.08.2006	PORSCHE	PET	PORSCHE

Pos	Part Number	Name	Remarks	Qty	Model	Pos	Part Number	Name	Remarks	Qty	Model
		- - - E N D - - -									

Model	Year	MG	SG	Illustration	Restrictions	Update	12:41	23.08.2006	PORSCHE	PET	PORSCHE
996	05	8	01	801-60		203					



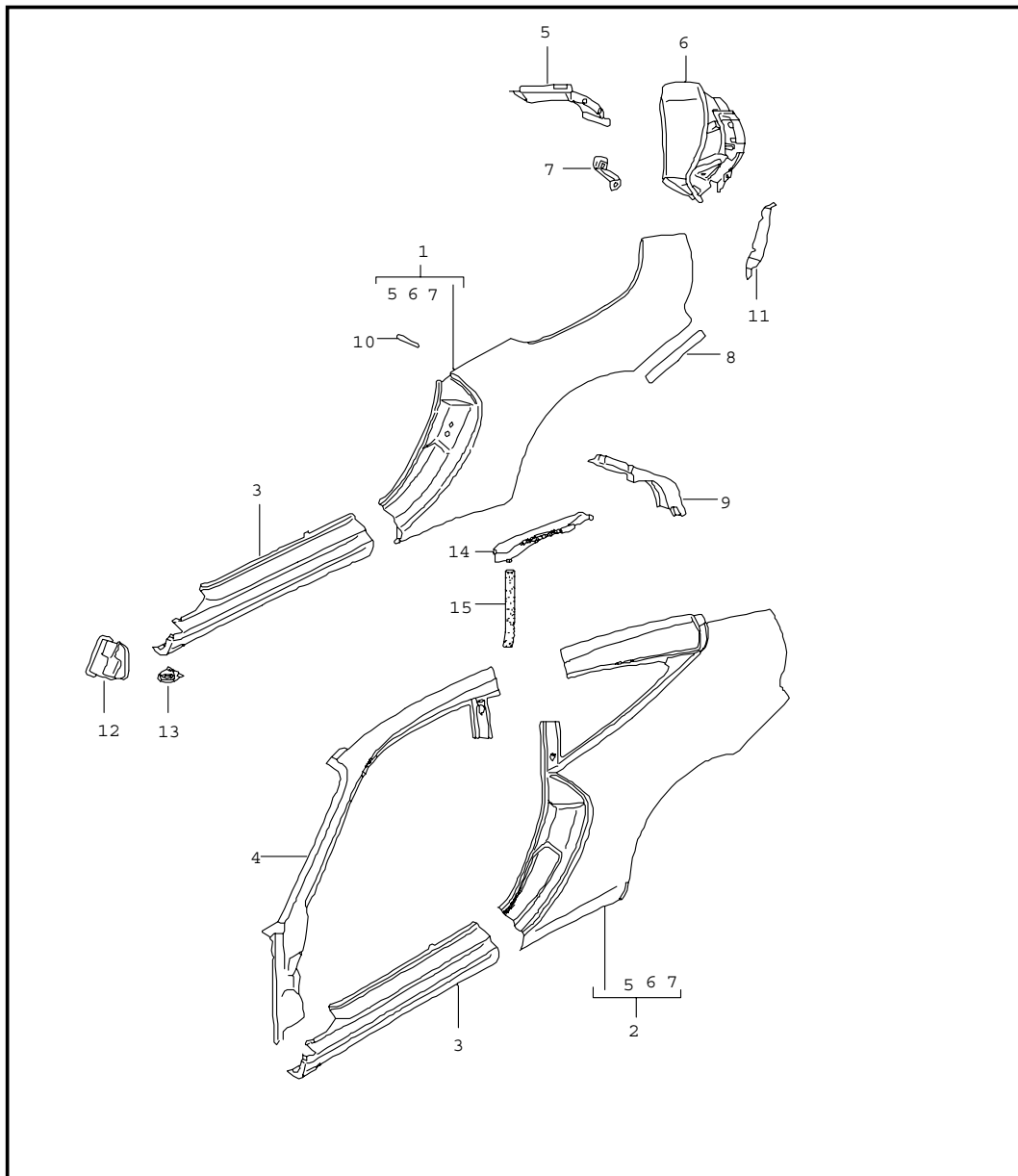
Pos	Part Number	Name	Remarks	Qty	Model
		side section inner			CABRIO
1	A 996 502 073 00	side section	/L -00	1	
	GRV	prime coated			
1	996 502 073 01	side section	/L	1	
	GRV	prime coated			
(1)	996 502 074 00	side section	/R -00	1	
	GRV	prime coated			
(1)	996 502 074 01	side section	/R 01-	1	
	GRV	prime coated			
2	996 502 663 01	reinforcement	/L	1	
	GRV	prime coated			
(2)	A 996 502 664 01	reinforcement	/R	1	
	GRV	prime coated			
(2)	996 502 664 02	reinforcement	/R	1	
	GRV	prime coated			
3	996 502 683 00	separator	/L -01	1	
	GRV	prime coated			
3	996 502 683 01	separator	/L 02-	1	
	GRV	prime coated			
(3)	996 502 684 00	separator	/R -01	1	
	GRV	prime coated			
(3)	996 502 684 01	separator	/R 02-	1	
	GRV	prime coated			
4	996 502 415 00	b-pillar	/L -01	1	
	GRV	prime coated			
4	996 502 415 01	b-pillar	/L 02-	1	
	GRV	prime coated			
(4)	996 502 416 00	b-pillar	/R -01	1	
	GRV	prime coated			

Model	Year	MG	SG	Illustration	Restrictions	Update	12:41	23.08.2006	PORSCHE	PET	PORSCHE
996	05	8	01	801-60		203					

Pos	Part Number	Name	Remarks	Qty	Model	Pos	Part Number	Name	Remarks	Qty	Model
(4)	996 502 416 01	b-pillar	/R 02-	1							
	GRV	prime coated									
5	996 502 515 00	wheel housing	/L	1							
	GRV	prime coated									
(5)	996 502 516 00	wheel housing	/R	1							
	GRV	prime coated									
(5)	996 502 215 03	wheel housing	/L	1	C4S						
	GRV	prime coated POS.5+6									
(5)	996 502 216 03	wheel housing	/R	1	C4S						
	GRV	prime coated POS.5+6									
6	996 502 219 01	end plate	/L	1							
	GRV	prime coated									
(6)	996 502 220 01	end plate	/R	1							
	GRV	prime coated									
7	996 502 087 00	side section	/L	1							
	GRV	prime coated									
(7)	996 502 088 00	side section	/R	1							
	GRV	prime coated									
8	996 502 161 00	side section	/L	1							
	GRV	prime coated									
(8)	996 502 162 00	side section	/R	1							
	GRV	prime coated									
9	996 502 669 00	pipe	02-	2							
	GRV	prime coated									
		- - - E N D - - -									



Model	Year	MG	SG	Illustration	Restrictions	Update	12:42	23.08.2006	PORSCHE	PET	PORSCHE
996	05	8	01	801-65		203					



Pos	Part Number	Name	Remarks	Qty	Model
		side section outer			CABRIO/TARGA
1	996 503 961 03	side section	/L -01	1	CABRIO
	GRV	prime coated			
1	996 503 961 06	side section	/L 02-	1	CABRIO
	GRV	prime coated			
(1)	996 503 962 01	side section	/R -01	1	CABRIO
	GRV	prime coated			
(1)	996 503 962 06	side section	/R 02-	1	CABRIO
	GRV	prime coated			
(1)	996 503 961 09	side section	/L 04-	1	C4S CABRIO
	GRV	prime coated			
(1)	996 503 962 09	side section	/R 04-	1	C4S CABRIO
	GRV	prime coated			
-	996 503 061 03	side section	/L	1	TARGA
	GRV	prime coated complete			
-	996 503 062 03	side section	/R	1	TARGA
	GRV	prime coated complete			
2	996 503 961 11	side section	/L	1	TARGA
	GRV	prime coated			
(2)	996 503 962 11	side section	/R	1	TARGA
	GRV	prime coated			
		use also:			
-	999 915 650 40	adhesive TEROMIX 6700		X	
-	000 043 300 48	tool see technical manual group 5 53 55 55		X	
3	996 503 963 01	door sill	/L	1	CABRIO
	GRV	prime coated			

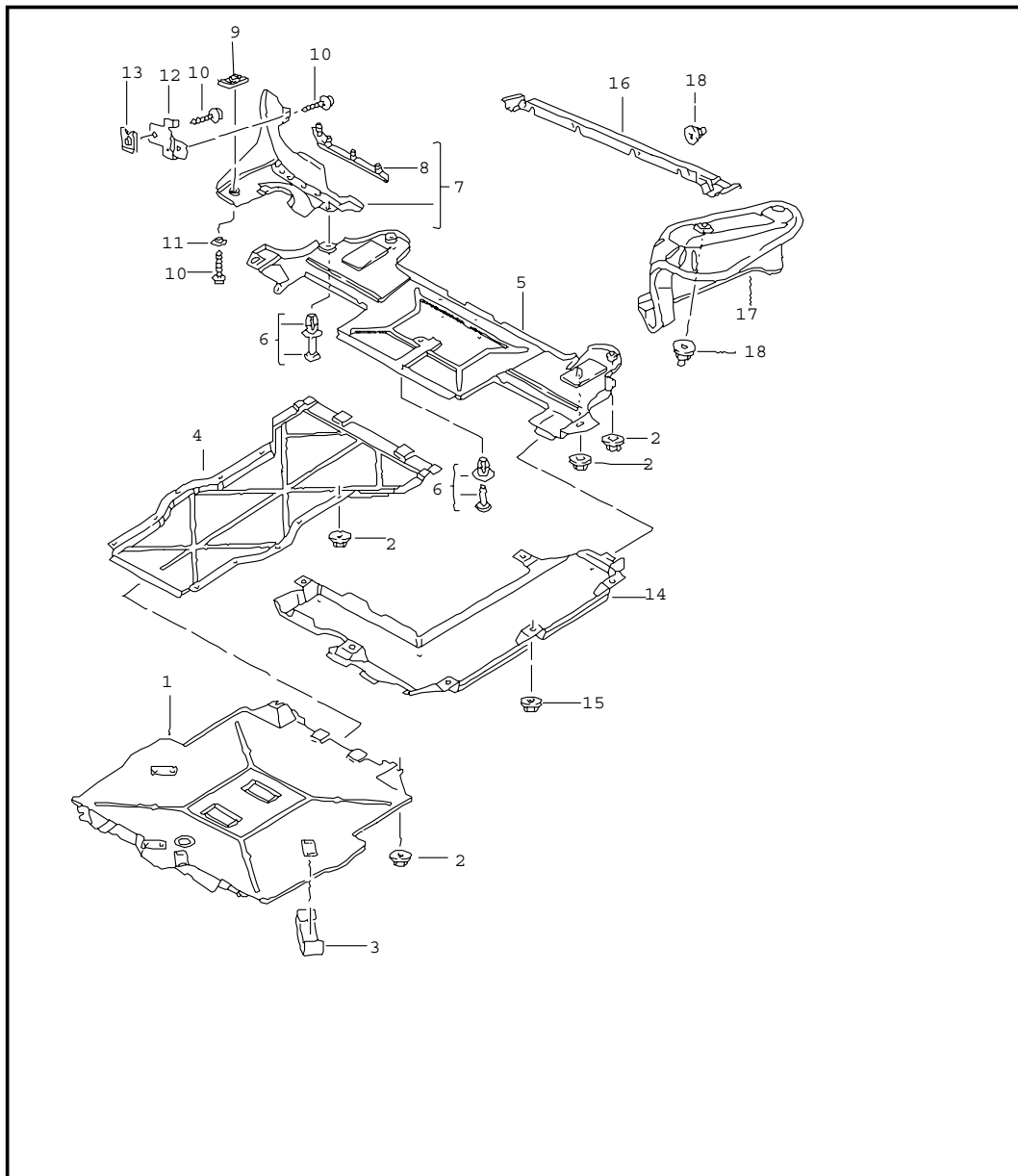
Model	Year	MG	SG	Illustration	Restrictions	Update	12:42	23.08.2006	PORSCHE	PET	PORSCHE
996	05	8	01	801-65		203					

Pos	Part Number	Name	Remarks	Qty	Model	Pos	Part Number	Name	Remarks	Qty	Model
3	996 503 963 00	door sill	/L	1	TARGA		GRV	prime coated			
	GRV	prime coated				(7)	996 502 214 00	bracket	/R -01	1	
(3)	996 503 964 01	door sill	/R	1	CABRIO		GRV	prime coated			
	GRV	prime coated				(7)	996 502 214 03	bracket	/R 02-	1	
(3)	996 503 964 00	door sill	/R	1	TARGA		GRV	prime coated			
	GRV	prime coated				(7)	996 502 213 01	bracket	/L 04-	1	C4S CABRIO
(3)	996 503 963 03	door sill	/L 04-	1	C4S CABRIO		GRV	prime coated			
	GRV	prime coated				(7)	996 502 214 01	bracket	/R 04-	1	C4S CABRIO
(3)	996 503 964 03	door sill	/R 04-	1	C4S CABRIO		GRV	prime coated			
	GRV	prime coated				8	996 504 631 00	protective film	/L	1	
4	996 503 965 04	a-pillar	/L	1	TARGA	(8)	996 504 632 00	protective film	/R	1	
	GRV	prime coated				(9)	996 504 907 00	gasket	/L	1	
(4)	996 503 966 04	a-pillar	/R	1	TARGA	(9)	996 504 908 00	gasket it is necessary to rework see workshop manual	/R	1	
	GRV	prime coated				10	996 537 237 00	protective film		2	
5	996 502 665 01	sealing channel	/L	1		11	996 501 855 02	angular plate	/L -00	1	
	GRV	prime coated					GRV	prime coated			
(5)	996 502 666 01	sealing channel	/R	1		11	996 501 855 03	angular plate	/L 01-	1	
	GRV	prime coated					GRV	prime coated			
6	996 502 461 04	frame for light	/L	1		(11)	996 501 856 02	angular plate	/R -00	1	
	GRV	prime coated					GRV	prime coated			
6	996 502 461 01	frame for light	/L	1	C4S	(11)	996 501 856 03	angular plate	/R 01-	1	
	GRV	prime coated					GRV	prime coated			
(6)	996 502 462 03	frame for light	/R	1		12	996 572 311 00	water protection	/L	1	
	GRV	prime coated				(12)	996 572 312 00	water protection	/R	1	
(6)	996 502 462 01	frame for light	/R	1	C4S	13	999 703 475 40	drain tube door sill		2	
	GRV	prime coated				14	997 504 967 00	water drip pan	/L	1	CABRIO
7	996 502 213 00	bracket	/L -01	1		(14)	997 504 968 00	water drip pan use also:	/R	1	CABRIO
	GRV	prime coated									
7	996 502 213 03	bracket	/L 02-	1							

Model	Year	MG	SG	Illustration	Restrictions	Update	12:42	23.08.2006	PORSCHE	PET	PORSCHE
996	05	8	01	801-65		203					

Pos	Part Number	Name	Remarks	Qty	Model	Pos	Part Number	Name	Remarks	Qty	Model
15	986 514 241 00	water drain hose see technical manual 53 55		2	CABRIO						
		- - - E N D - - -									

Model	Year	MG	SG	Illustration	Restrictions	Update	12:42	23.08.2006	PORSCHE	PET	PORSCHE
996	05	8	01	801-70		203					

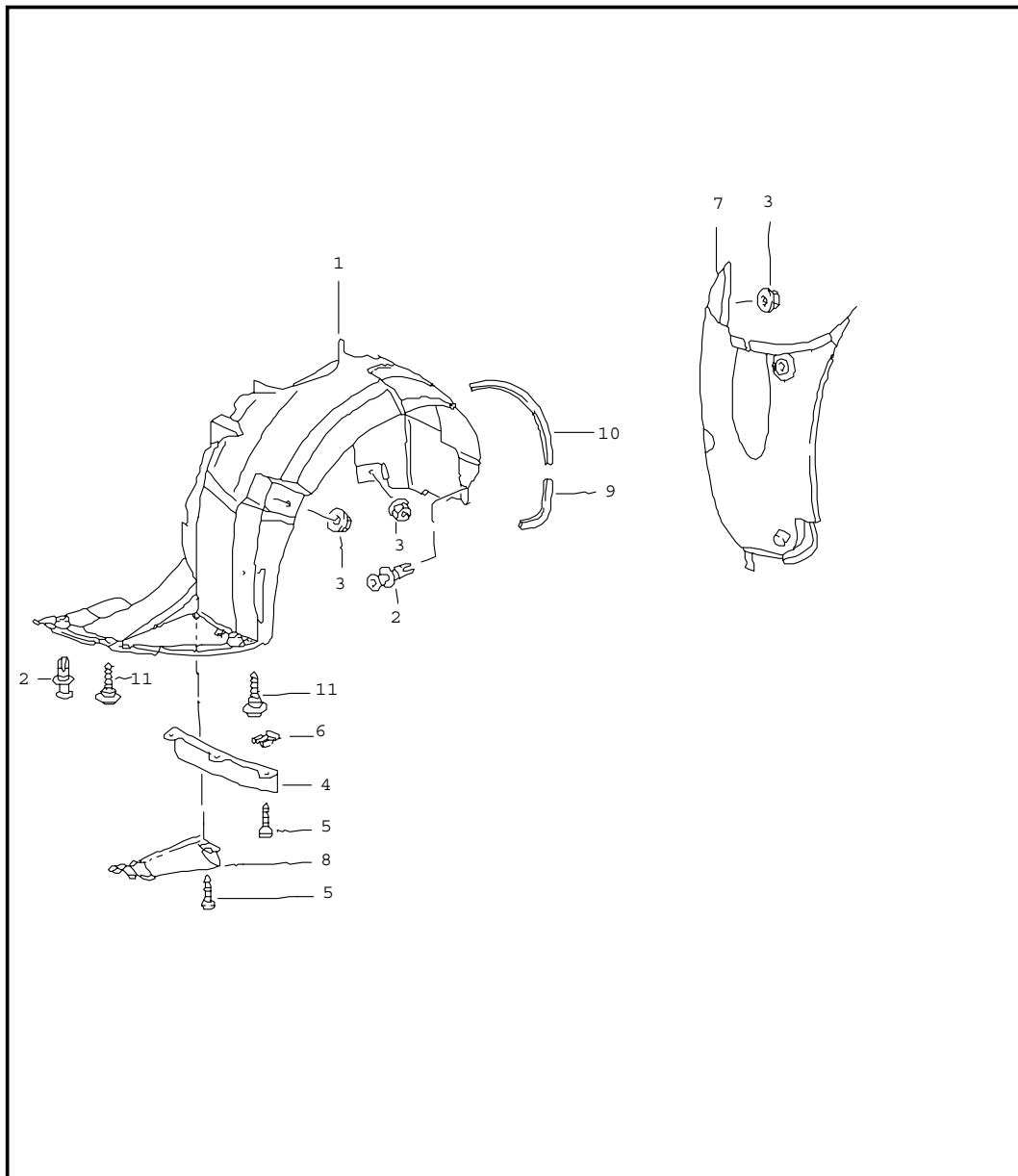


Pos	Part Number	Name	Remarks	Qty	Model
		linings for underbody			
1	996 504 527 02	cover		1	M 338
(1)	996 504 527 01	cover	99-	1	M 339
2	999 049 022 40	plastic nut T 5		21	
3	999 507 657 09	clamp		6	
4	996 504 043 02	cover centre		1	
5	996 504 129 01	cover rear		1	
6	999 507 497 40	expansion rivet 8,0 X 14,0		4	
7	996 504 393 01	cover	/L	1	
	01C	satin black			
(7)	996 504 394 01	cover	/R	1	
	01C	satin black			
8	996 504 893 00	rubber lip	/L	1	
(8)	996 504 894 00	rubber lip	/R	1	
9	999 507 348 02	speed nut ST 4,8		4	
10	999 073 061 02	tapping screw ST 4,8 X 16		8	
11	944 503 255 00	spacer sleeve		4	
12	996 504 593 00	support		2	
13	999 507 462 02	speed nut ST 4,8		4	
14	996 504 561 00	cover		1	
15	999 049 022 40	plastic nut T5		6	
16	996 505 471 00	heat protection centre		1	
17	996 505 477 00	heat protection	/L	1	
(17)	996 505 478 00	heat protection	/R	1	

Model	Year	MG	SG	Illustration	Restrictions	Update	12:42	23.08.2006	PORSCHE	PET	PORSCHE
996	05	8	01	801-70		203					

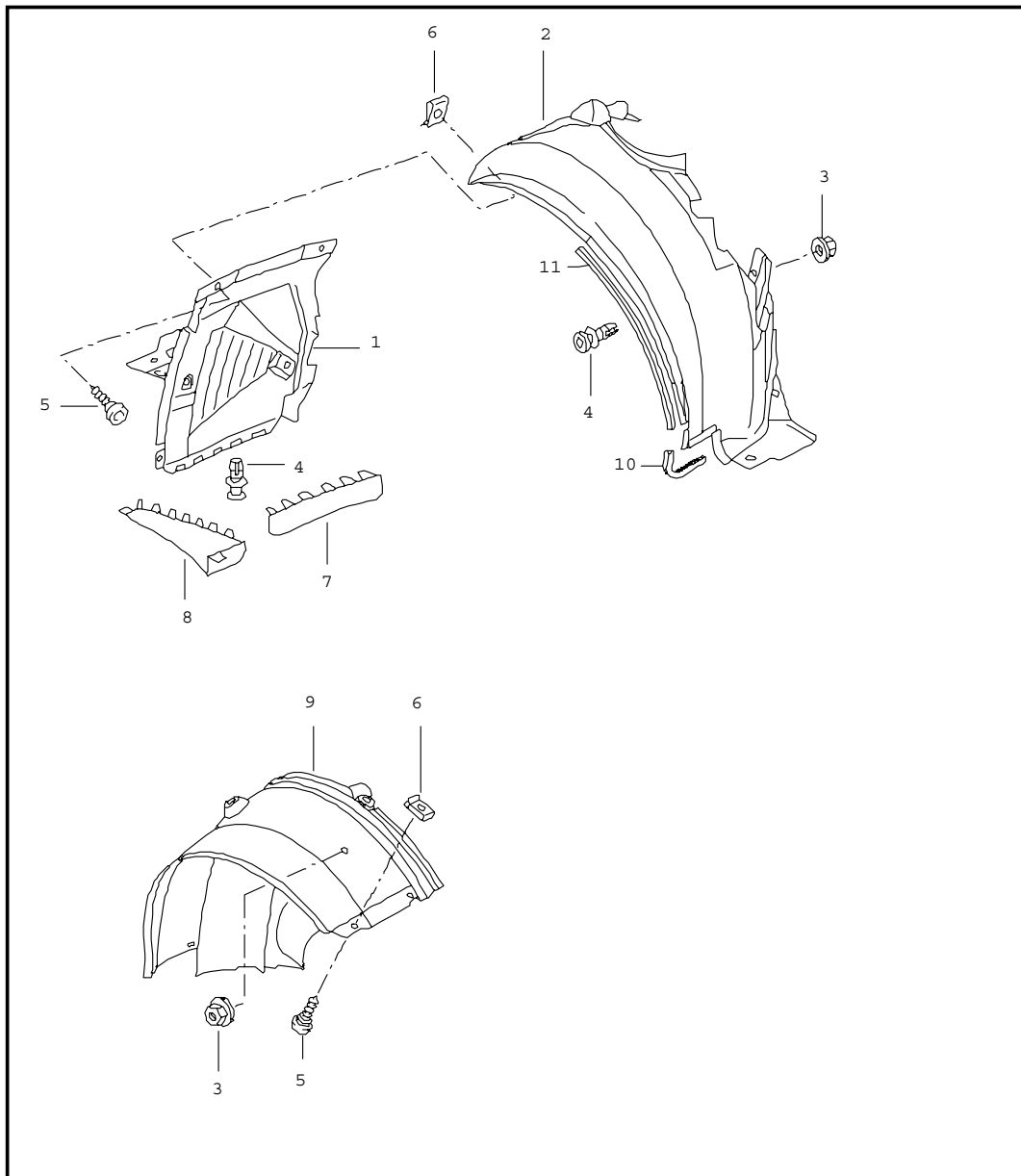
Pos	Part Number	Name	Remarks	Qty	Model	Pos	Part Number	Name	Remarks	Qty	Model
18	999 049 025 09	collar nut T 5		12							
-	996 575 161 01	air duct front		1	C4S						
- - - E N D - - -											

Model	Year	MG	SG	Illustration	Restrictions	Update	12:42	23.08.2006	PORSCHE	PET	PORSCHE
996	05	8	01	801-75		203					



Pos	Part Number	Name	Remarks	Qty	Model
		linings for wheel housing	-01		
1	996 504 203 06	wheel-housing liner	/L	1	
(1)	996 504 204 06	wheel-housing liner	/R	1	
2	999 507 497 40	expansion rivet 8,0 X 14,0		13	
3	999 049 022 40	plastic nut T5		10	
4	996 504 503 00	rubber lip	/L	1	
(4)	996 504 504 00	rubber lip	/R	1	
5	999 073 061 02	tapping screw ST 4,8 X 16		6	
6	999 591 699 02	speed nut ST 4,8		12	
7	996 504 573 02	wheel-housing liner	/L	1	
(7)	996 504 574 02	wheel-housing liner	/R	1	
8	996 504 603 00	air duct	/L	1	
(8)	996 504 604 00	air duct	/R	1	
9	999 911 663 40	sealing strap 10 X 10 X 180		2	
10	999 911 695 40	sealing strap 10 X 30 X 680		2	
11	999 073 227 09	shouldered bolt ST 4,8 X 19		4	
- - - E N D - - -					

Model	Year	MG	SG	Illustration	Restrictions	Update	12:42	23.08.2006	PORSCHE	PET	PORSCHE
996	05	8	01	801-80		203					



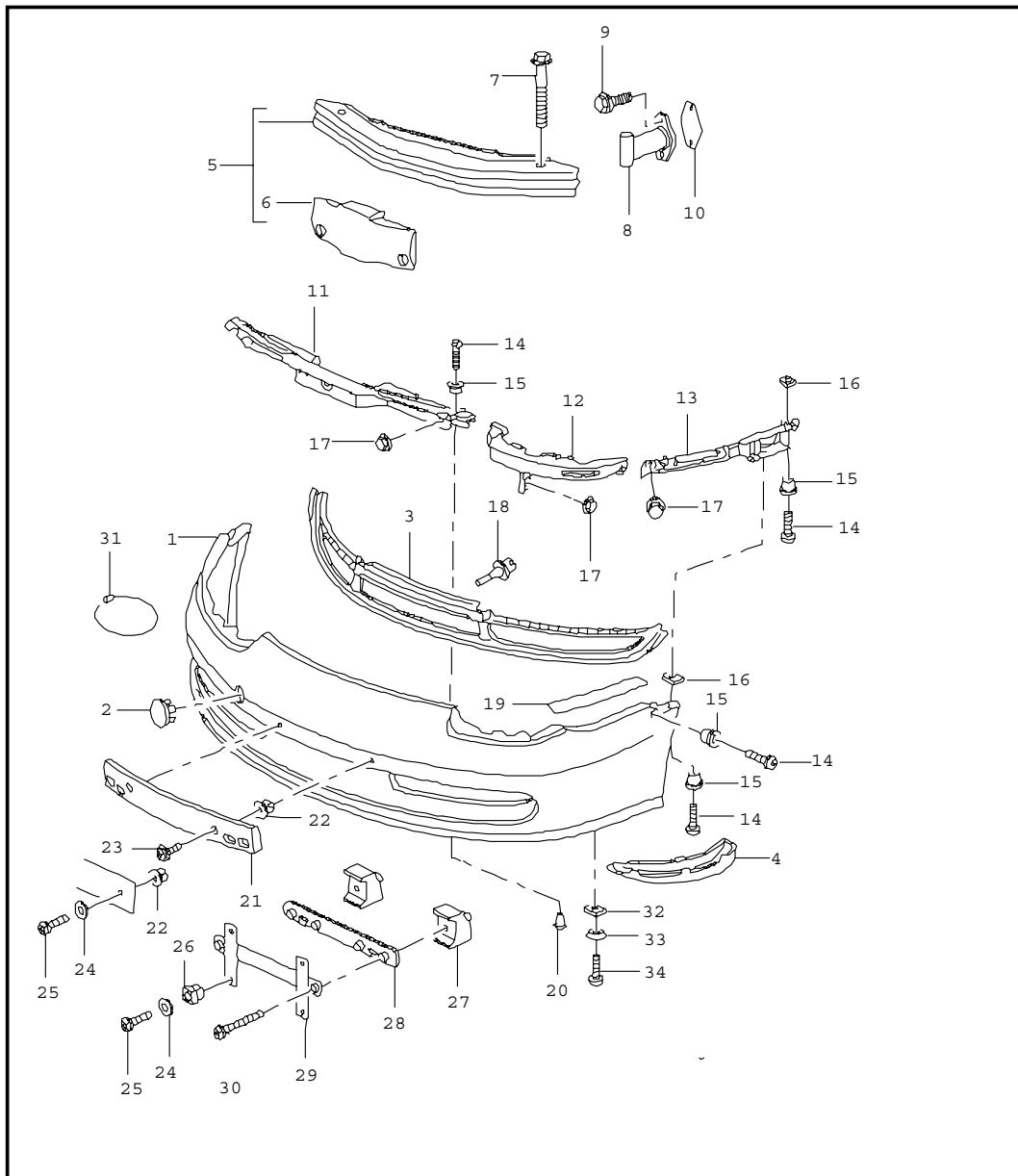
Pos	Part Number	Name	Remarks	Qty	Model
		linings for wheel housing	02-		
1	996 504 123 00	wheel-housing liner	/L/V	1	C4S
(1)	996 504 123 01	wheel-housing liner	/L/V	1	
(1)	996 504 123 03	wheel-housing liner front	/L/V 02-	1	CABRIO TARGA
(1)	996 504 124 00	wheel-housing liner	/R/V	1	C4S
(1)	996 504 124 01	wheel-housing liner	/R/V	1	
(1)	996 504 124 03	wheel-housing liner front	/R/V 02-	1	CABRIO TARGA
2	996 504 103 00	wheel-housing liner	/L/H	1	
2	996 504 203 08	wheel-housing liner front	/L/H	1	C4S
(2)	996 504 104 00	wheel-housing liner	/R/H	1	
(2)	996 504 204 08	wheel-housing liner front	/R/H	1	C4S
3	999 049 022 40	plastic nut T5		X	
4	999 507 497 40	expansion rivet 8,0 X 14,0		X	
5	N 906 487 02	tapping screw ST 4,8 X 16		X	
6	999 507 668 02	speed nut ST 4,8		X	
7	996 504 503 02	rubber lip	/L	1	C4S
(7)	996 504 503 03	rubber lip	/L	1	
(7)	996 504 504 02	rubber lip	/R	1	C4S
(7)	996 504 504 03	rubber lip	/R	1	
8	996 504 603 01	air duct	/L	1	C4S
8	996 504 603 02	air duct	/L	1	
8	996 504 603 03	air duct	/L 02-	1	CABRIO TARGA
(8)	996 504 604 01	air duct	/R	1	C4S

Model	Year	MG	SG	Illustration	Restrictions	Update	12:42	23.08.2006	PORSCHE	PET	PORSCHE
996	05	8	01	801-80		203					

Pos	Part Number	Name	Remarks	Qty	Model	Pos	Part Number	Name	Remarks	Qty	Model
(8)	996 504 604 02	air duct	/R	1							
(8)	996 504 604 03	air duct	/R	1	CABRIO TARGA						
9	996 504 573 01	wheel-housing liner	/L	1	C4S						
9	996 504 573 02	wheel-housing liner rear	/L	1							
(9)	996 504 574 01	wheel-housing liner	/R	1	C4S						
(9)	996 504 574 02	wheel-housing liner rear	/R	1							
10	999 911 663 40	sealing strap 10 X 10 X 180		2							
11	999 911 695 40	sealing strap 10 X 30 X 680		2							
		- - - E N D - - -									



Model	Year	MG	SG	Illustration	Restrictions	Update	12:43	23.08.2006	PORSCHE	PET	PORSCHE
996	05	8	02	802-00		203					

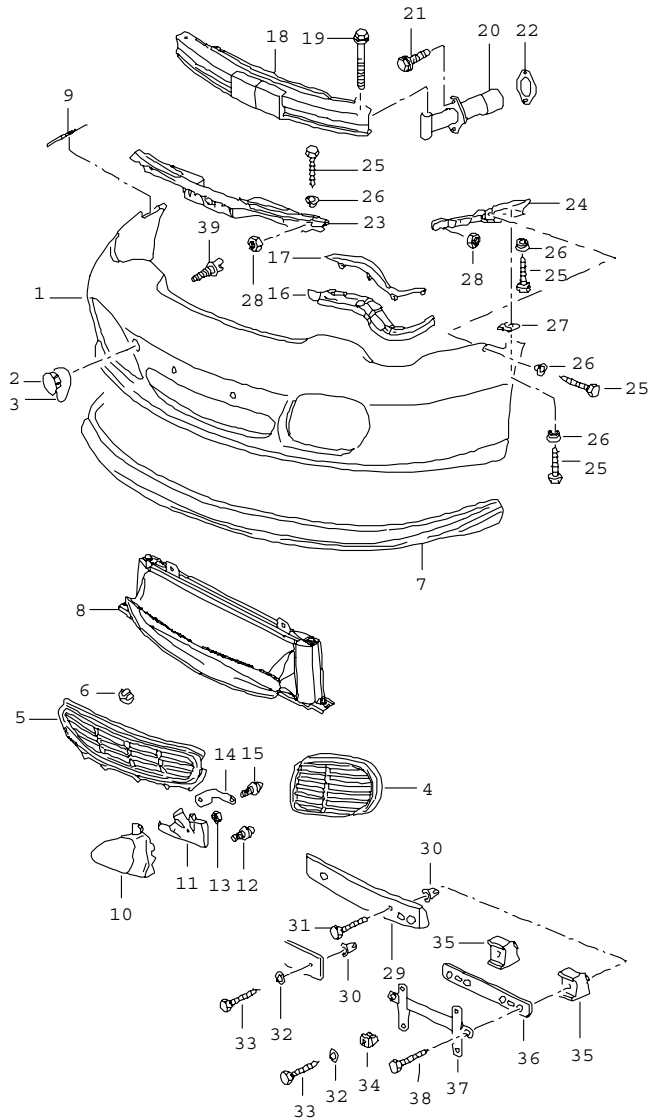


Pos	Part Number	Name	Remarks	Qty	Model
		bumper front			
1	996 505 311 04	lining	-01	1	
		G2X prime coated			
(1)	996 505 311 06	lining	02-	1	
		G2X prime coated			
2	964 505 103 00	cap		1	
		G2X prime coated			
3	996 505 553 04	air inlet	-01	1	M 480
		01C satin black			
(3)	996 505 561 01	air inlet	02-	1	M 480
		01C satin black			
(3)	996 505 553 05	air inlet	-01	1	M 249
		01C satin black			
(3)	996 505 561 02	air inlet	02-	1	M 249
		01C satin black			
4	996 505 525 00	cover	/L -01	1	
		01C satin black			
4	996 505 525 01	cover	/L 02-	1	
		01C satin black			
(4)	996 505 526 00	cover	/R -01	1	
		01C satin black			
(4)	996 505 526 01	cover	/R 02-	1	
		01C satin black			
5	996 505 011 00	bumper reinforcement	-01	1	
5	996 505 011 05	bumper reinforcement	02-	1	
7	900 378 088 09	hexagon-head bolt M 12 X 100		2	
8	A 996 505 019 00	impact pipe	-01	2	
8	996 505 019 01	impact pipe		2	

Model	Year	MG	SG	Illustration	Restrictions	Update	12:43	23.08.2006	PORSCHE	PET	PORSCHE
996	05	8	02	802-00		203					

Pos	Part Number	Name	Remarks	Qty	Model	Pos	Part Number	Name	Remarks	Qty	Model
(8)	996 505 015 00	impact absorber		2	M 058	21	996 701 105 00	support	-01	1	(BRD) (F) (E) (GB)
9	900 075 457 02	screw M 8 X 30		4		21	996 701 105 01	support	02-	1	(BRD) (F) (E) (GB)
10	996 505 775 00	desk pad		2		22	999 507 040 40	expander nut 4,2		X	
11 A	996 505 531 00	retaining strip	-01	1		23	900 143 151 02	screw 4,2 X 16		2	
11	996 505 531 01	retaining strip centre		1		24	900 025 024 40	washer		X	
12	996 505 539 00	bracket	/L -01	1		25	900 143 134 00	tapping screw B 4,2 X 9,5		X	
12	996 505 539 02	bracket	/L 02-	1		27	996 701 801 00	spacer	/L	1	
(12)	996 505 540 00	bracket	/R -01	1		(27)	996 701 802 00	spacer	/R	1	
(12)	996 505 540 02	bracket	/R 02-	1		28	911 701 121 03	support		1	
-	996 505 741 01	cover	/L 02-	1		30	900 145 012 07	counters. head tapp. screw B 4,2 X 32		2	
	01C	satin black				31	999 651 225 40	safety rope		1	
-	996 505 742 01	cover	/R 02-	1		32	999 591 699 02	speed nut ST 4,8		4	
	01C	satin black				34 A	999 073 198 09	tapping screw		4	
13	996 505 535 00	retaining strip	/L -01	1		34	999 073 227 09	shouldered bolt ST 4,8 X 19		4	
13	996 505 535 03	retaining strip	/L 02-	1				- - - E N D - - -			
(13)	996 505 536 00	retaining strip	/R -01	1							
(13)	996 505 536 03	retaining strip	/R 02-	1							
14	900 144 101 02	tapping screw B 4,8 X 19		X							
15	999 209 045 09	spacer		X							
16	999 507 072 02	speed nut B 4,8		X							
17	999 084 633 09	hexagon nut M 6		X							
18	996 641 142 00	temperature sensor		1							
19 A	999 911 606 40	adhesive tape		X							
19	000 043 204 83	adhesive tape roller 16,5 METER		X							
20	999 507 497 40	expansion rivet 8 X 14		2							

Model	Year	MG	SG	Illustration	Restrictions	Update	12:43	23.08.2006	PORSCHE	PET	PORSCHE
996	05	8	02	802-02		203					

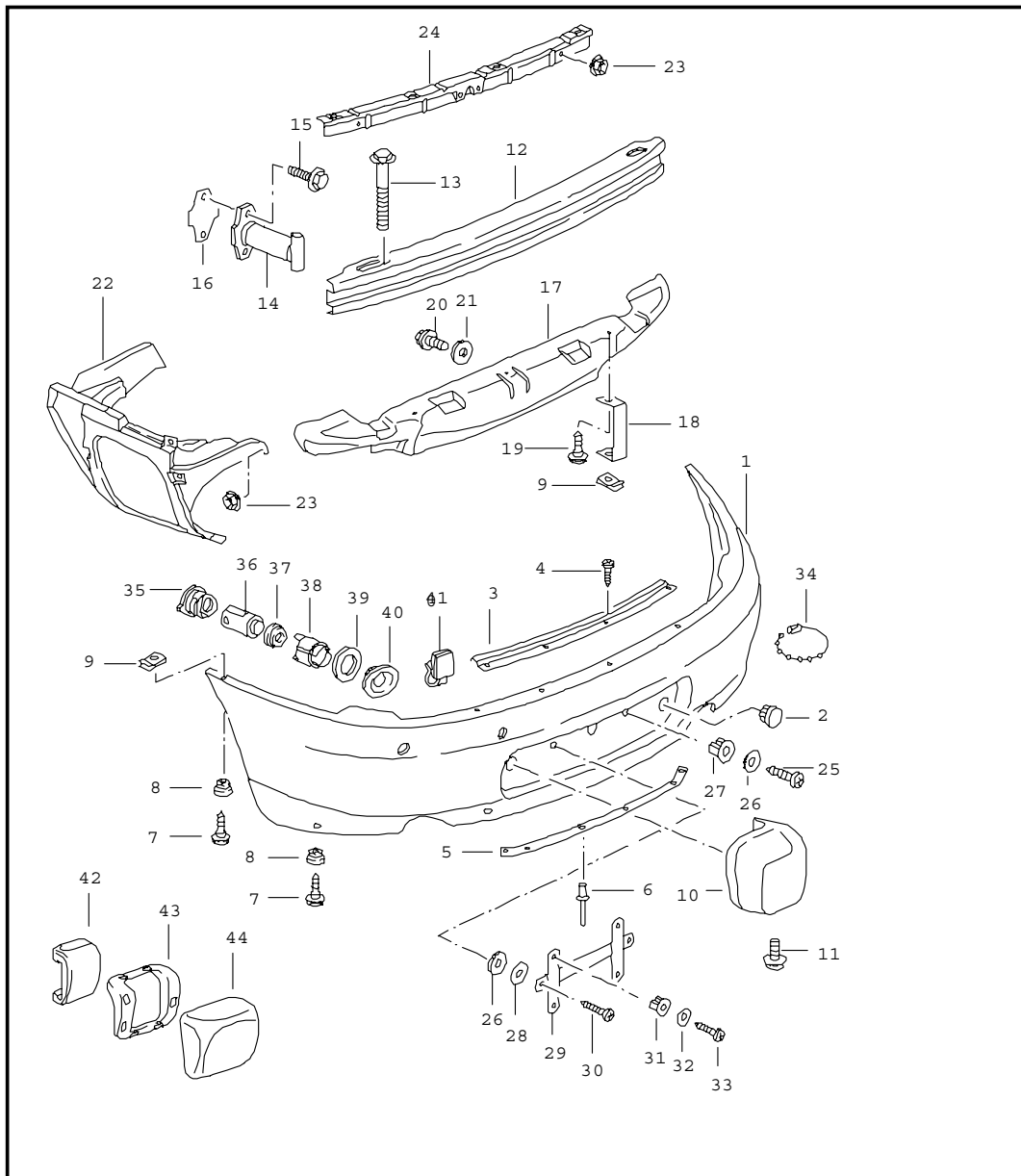


Pos	Part Number	Name	Remarks	Qty	Model
1	996 505 311 05	bumper front		1	C4S
	G2X	lining			
	G2X	prime coated			
2	964 505 103 00	cap		1	
	G2X	prime coated			
3	999 651 225 40	safety rope		1	
4	996 505 563 00	air inlet	/L	1	
	01C	satin black			
(4)	996 505 564 00	air inlet	/R	1	
	01C	satin black			
(4)	996 505 563 01	air inlet	/L	1	M 215
	01C	satin black			
(4)	996 505 564 01	air inlet	/R	1	M 215
	01C	satin black			
4	996 505 563 03	air inlet	/L	1	M 095
	M7Z	silver metallic			
(4)	996 505 564 03	air inlet	/R	1	M 095
	M7Z	silver metallic			
5	996 505 561 03	air inlet		1	
	01C	satin black			
6	999 507 751 02	u-clamp		X	
7	996 505 555 02	spoiler		1	
	01C	satin black			
8	996 504 085 00	air inlet		1	M095
9	996 504 627 00	protective film		2	
10	996 505 527 00	buffer	/L	1	M 215
	70C	rally black			
(10)	996 505 528 00	buffer	/R	1	M 215
	70C	rally black			

Model	Year	MG	SG	Illustration	Restrictions	Update	12:43	23.08.2006	PORSCHE	PET	PORSCHE
996	05	8	02	802-02		203					

Pos	Part Number	Name	Remarks	Qty	Model	Pos	Part Number	Name	Remarks	Qty	Model
11	996 505 533 00	mounting	/L	1	M 215	28	999 076 048 02	hexagon nut M 6		11	
(11)	996 505 534 00	mounting	/R	1	M 215	29	996 701 105 00	support		1	M 211
12	900 378 158 09	hexagon-head bolt M 6 X 16		2	M 215	30	999 507 040 40	expander nut 4,2		X	
13	999 209 044 09	spacer		2	M 215	31	999 073 080 02	tapping screw		X	
14	996 505 523 00	desk pad	/L	1	M 215	32	900 025 024 40	washer		X	
(14)	996 505 524 00	desk pad	/R	1	M 215	33	900 143 134 00	tapping screw B 4,2 X 9,5		X	
15	900 067 148 02	pan-head screw M 5 X 25		2	M 215	35	996 701 801 00	spacer	/L	1	
16	996 505 539 03	bracket	/L	1		(35)	996 701 802 00	spacer	/R	1	
(16)	996 505 540 03	bracket	/R	1		36	911 701 121 03	support		1	M 210
17	996 505 741 02	cover	/L	1		38	900 144 182 09	tapping screw B 4,2 X 32		2	
	01C	satin black				39	996 641 142 00	temperature sensor		1	
(17)	996 505 742 02	cover	/R	1				- - - E N D - - -			
	01C	satin black									
18	996 505 011 02	bumper reinforcement		1							
(18)	996 505 011 03	bumper reinforcement		1	M 215						
19	900 378 088 09	hexagon-head bolt M 12 X 100		2							
(20)	996 505 019 01	impact pipe		2							
20	996 505 015 00	impact absorber		2	M 058						
21	900 075 457 02	screw M 8 X 30		4							
22	996 505 775 00	desk pad		2							
23	996 505 531 01	retaining strip		1							
24	996 505 535 03	retaining strip	/L	1							
(24)	996 505 536 03	retaining strip	/R	1							
25	900 144 101 02	tapping screw ST 4,8 X 19		9							
26	999 209 045 09	spacer		9							
27	999 507 072 02	speed nut ST 4,8		X							

Model	Year	MG	SG	Illustration	Restrictions	Update	12:43	23.08.2006	PORSCHE	PET	PORSCHE
996	05	8	02	802-05		203					



Pos	Part Number	Name	Remarks	Qty	Model
1	996 505 411 08	bumper rear		1	
		lining	-01	1	
		G2X prime coated			M 635
(1)	996 505 411 12	lining	02-	1	
		G2X prime coated			
(1)	996 505 911 02	lining	02-	1	M 635
		G2X prime coated			
(1)	996 505 411 13	lining	02-	1	M 215
		G2X prime coated			
(1)	996 505 911 04	lining	02-	1	M 635, M 215
		G2X prime coated			
2	964 505 103 00	cap	-01	1	
		G2X prime coated			
2	996 505 803 00	cap	02-	1	
		G2X prime coated			
3	996 505 833 00	retaining strip		1	
4	900 144 101 02	tapping screw B 4,8 X 19		4	
5	996 505 837 00	retaining strip	-01	1	
(5)	996 505 837 02	retaining strip	02-	1	
6	999 190 104 30	blind rivet 3,2 X 7,9		4	
7	A 999 073 198 09	tapping screw		8	
7	999 073 227 09	shouldered bolt ST 4,8 X 19		8	
9	999 507 072 02	speed nut 4,8		4	
10	996 505 425 00	buffer	/L -01	1	M 215
		70C rally black			
(10)	996 505 426 00	buffer	/R -01	1	M 215

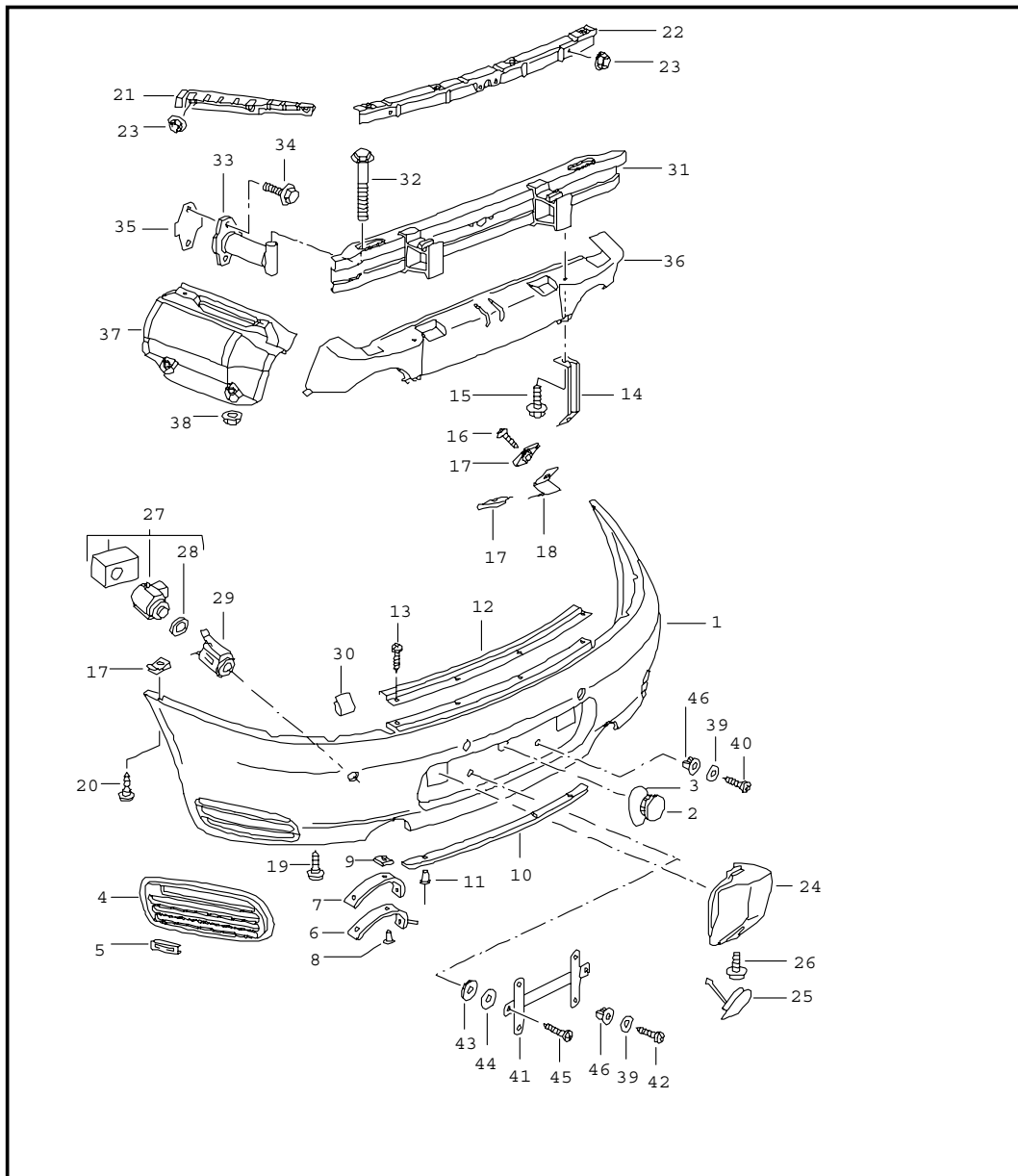
Model	Year	MG	SG	Illustration	Restrictions	Update	12:43	23.08.2006	PORSCHE	PET	PORSCHE
996	05	8	02	802-05		203					

Pos	Part Number	Name	Remarks	Qty	Model	Pos	Part Number	Name	Remarks	Qty	Model
	70C	rally black				27	999 507 040 40	expander nut 4,2		2	
12	996 505 021 00	bumper reinforcement	-01	1		34	999 651 225 40	safety rope		1	
(12)	996 505 021 04	bumper reinforcement	02-	1		35	996 505 669 00	retainer spring	-01	4	M 635
13	900 378 088 09	hexagon-head bolt M 12 X 100		2		36	996 606 171 00	sensor	-01	4	M 635
14	996 505 019 01	impact pipe		2			9A4	titanium metallic			
(14)	996 505 015 00	impact absorber		2	M 058	(36)	000 043 204 56	sensor	02-	4	M 635
15	900 075 457 02	hexagon-head bolt M 8 X 30		4		37	996 606 471 00	ring	-01	4	M 635
16	993 505 775 00	seal		2		(37)	996 606 473 00	ring	02-	4	M 635
17	996 505 475 00	heat protection	-01	1		38	996 505 865 00	housing	-01	4	M 635
(17)	996 505 475 02	heat protection	02-	1		(38)	996 505 885 01	housing	02-	2	M 635
18	996 505 639 00	rear support	-01	2			G2X	prime coated inner			
18	996 505 639 02	rear support	02-	2		(38)	996 505 887 01	housing	02-	2	M 635
19	999 075 048 02	screw M 6 X 22		2			G2X	prime coated outer			
20	900 278 025 02	hexagon-head bolt M 5 X 12		1		39	999 025 262 02	washer 35 X 50 X 0,5	-01	4	M 635
21	999 025 243 02	spacer		1		40	996 505 859 00	cover	/L -01	1	M 635
(22)	996 505 631 00	retaining frame	/L -01	1			G2X	prime coated inner			
(22)	996 505 631 01	retaining frame	/L 02-	1		(40)	996 505 860 00	cover	/R -01	1	M 635
(22)	996 505 631 02	retaining frame	/L 02-	1	C4S		G2X	prime coated inner			
22	996 505 632 00	retaining frame	/R -01	1		(40)	996 505 861 00	cover	/L -01	1	M 635
22	996 505 632 01	retaining frame	/R 02-	1			G2X	prime coated outer			
22	996 505 632 02	retaining frame	/R 02-	1	C4S	(40)	996 505 862 00	cover	/R -01	1	M 635
23	999 084 633 09	hexagon nut M 6		13			G2X	prime coated outer			
24	996 505 831 00	retaining strip centre		1		41	999 507 623 40	cable holder		4	M 635
25	900 143 151 02	screw B 4,2 X 16		2		42	996 505 845 00	buffer	/L 02-	1	M 215
26	999 025 235 40	rubber washer		X		(42)	996 505 846 00	buffer	/R 02-	1	M 215

Model	Year	MG	SG	Illustration	Restrictions	Update	12:43	23.08.2006	PORSCHE	PET	PORSCHE
996	05	8	02	802-05		203					

Pos	Part Number	Name	Remarks	Qty	Model	Pos	Part Number	Name	Remarks	Qty	Model
43	996 505 645 00	support frame	/L 02-	1	M 215						
(43)	996 505 646 00	support frame	/R 02-	1	M 215						
44	996 505 625 00	lining	/L 02-	1	M 215						
	G2X	prime coated									
(44)	996 505 626 00	lining	/R 02-	1	M 215						
	G2X	prime coated									
		- - - E N D - - -									

Model	Year	MG	SG	Illustration	Restrictions	Update	12:43	23.08.2006	PORSCHE	PET	PORSCHE
996	05	8	02	802-07		203					



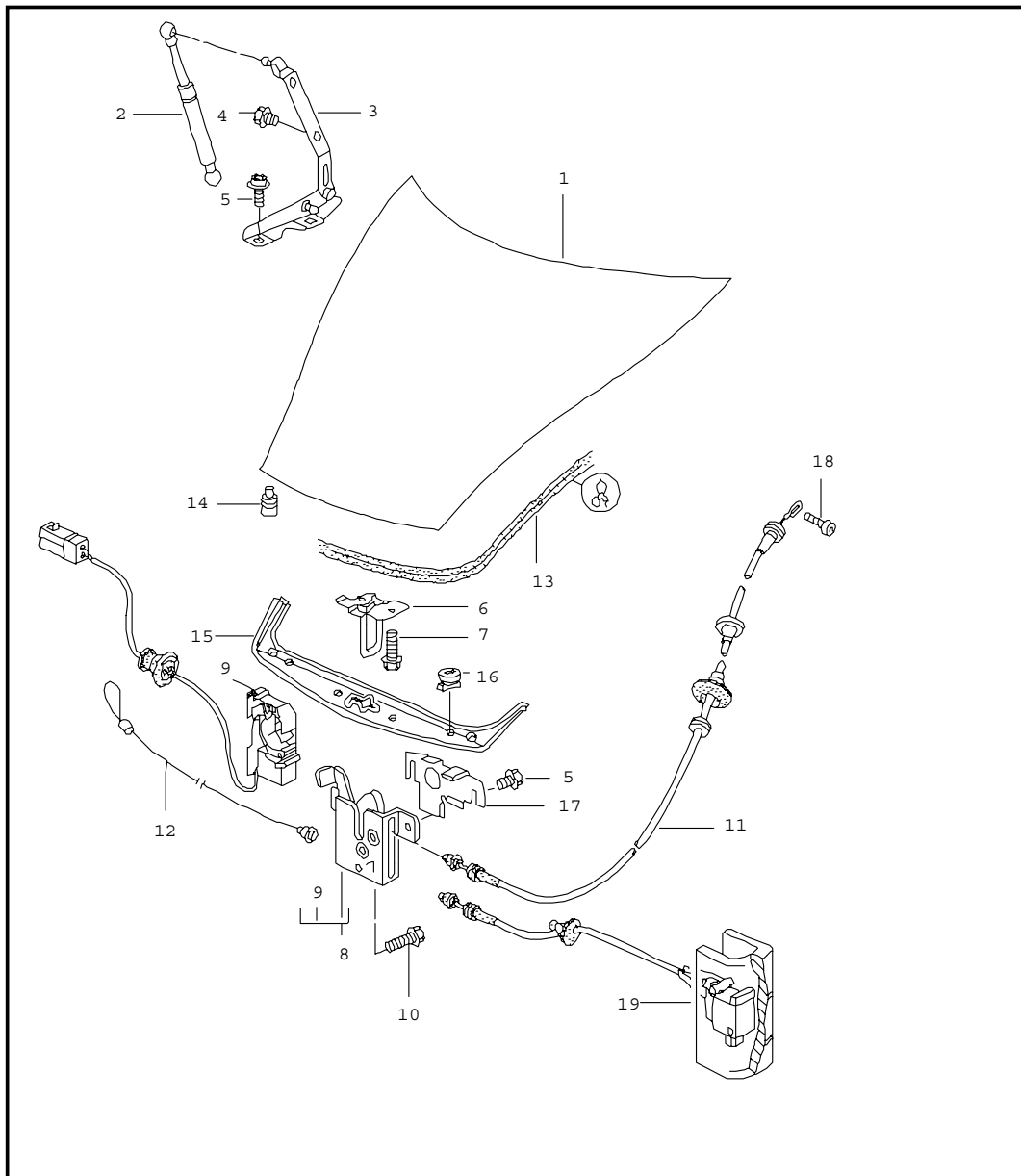
Pos	Part Number	Name	Remarks	Qty	Model
1	996 505 411 16	bumper rear		1	C4S
	G2X	prime coated			
(1)	996 505 911 00	lining		1	M 635
	G2X	prime coated			
2	964 505 103 00	cap		1	
	G2X	prime coated			
3	999 651 225 40	safety rope		1	
4	996 505 663 01	ventilation grille	/L	1	
	01C	satin black			
(4)	996 505 664 01	ventilation grille	/R	1	
	01C	satin black			
5	999 507 696 00	u-clamp		24	
6	996 505 611 02	cover	/L	1	
(6)	996 505 612 02	cover	/R	1	
7	996 505 621 00	cover plate	/L	1	
(7)	996 505 622 00	cover plate	/R	1	
8	900 056 001 30	rivet 4 X 12		4	
9	999 166 051 08	clamping washer 4,0		6	
10	996 505 837 03	retaining strip		1	
11	999 190 104 30	blind rivet A 3,2 X 7,9		4	
12	996 505 833 02	rail		1	
13	900 144 101 02	tapping screw ST 4,8 X 19		4	
14	996 505 639 03	rear support		2	
15	999 075 056 09	screw M 6 X 22		2	
16	N 906 487 02	tapping screw ST 4,8 X 16		2	



Model	Year	MG	SG	Illustration	Restrictions	Update	12:43	23.08.2006	PORSCHE	PET	PORSCHE
996	05	8	02	802-07		203					

Pos	Part Number	Name	Remarks	Qty	Model	Pos	Part Number	Name	Remarks	Qty	Model
17	999 507 072 02	speed nut ST 4,8		X		33	996 505 019 01	impact pipe		2	
18	996 505 649 00	bracket		2		(33)	996 505 015 00	impact absorber		2	M 058
19	999 073 062 02	tapping screw ST 4,8 X 19		2		34	900 075 457 02	hexagon-head bolt M 8 X 30		4	
20	999 073 227 09	tapping screw ST 4,8 X 19		6		35	993 505 775 00	seal		2	
21	996 505 635 00	retaining strip	/L	1		36	996 505 475 04	heat protection		1	
(21)	996 505 636 00	retaining strip	/R	1		37	996 505 477 00	heat protection	/L	1	
22	996 505 831 00	retaining strip centre		1		(37)	996 505 478 00	heat protection	/R	1	
23	999 076 048 02	hexagon nut M 6		9		38	999 049 025 09	collar nut		12	
24	996 505 425 01	buffer	/L	1	M 215	39	900 025 024 40	washer		X	
	70C	rally black				40	999 073 080 02	tapping screw ST 4,2 X 16		X	
(24)	996 505 426 01	buffer	/R	1	M 215	43	999 025 235 40	rubber washer		X	
	70C	rally black				46	999 507 040 40	expander nut ST 4,2		X	
25	996 505 403 00	cover		2	M 215			- - - E N D - - -			
	70C	rally black									
26	900 067 271 09	screw		2	M 215						
27	000 043 204 56	sensor		4	M 635						
28	996 606 473 00	ring		4	M 635						
29	996 505 885 00	housing		2	M 635						
	G2X	prime coated inner									
(29)	996 505 887 00	housing		2	M 635						
	G2X	prime coated outer									
30	999 507 623 40	cable holder		4							
31	996 505 021 02	bumper reinforcement		1							
(31)	996 505 021 03	bumper reinforcement		1	M 215						
32	900 378 088 09	hexagon-head bolt M 12 X 100		2							

Model	Year	MG	SG	Illustration	Restrictions	Update	12:44	23.08.2006	PORSCHE	PET	PORSCHE
996	05	8	03	803-00		203					

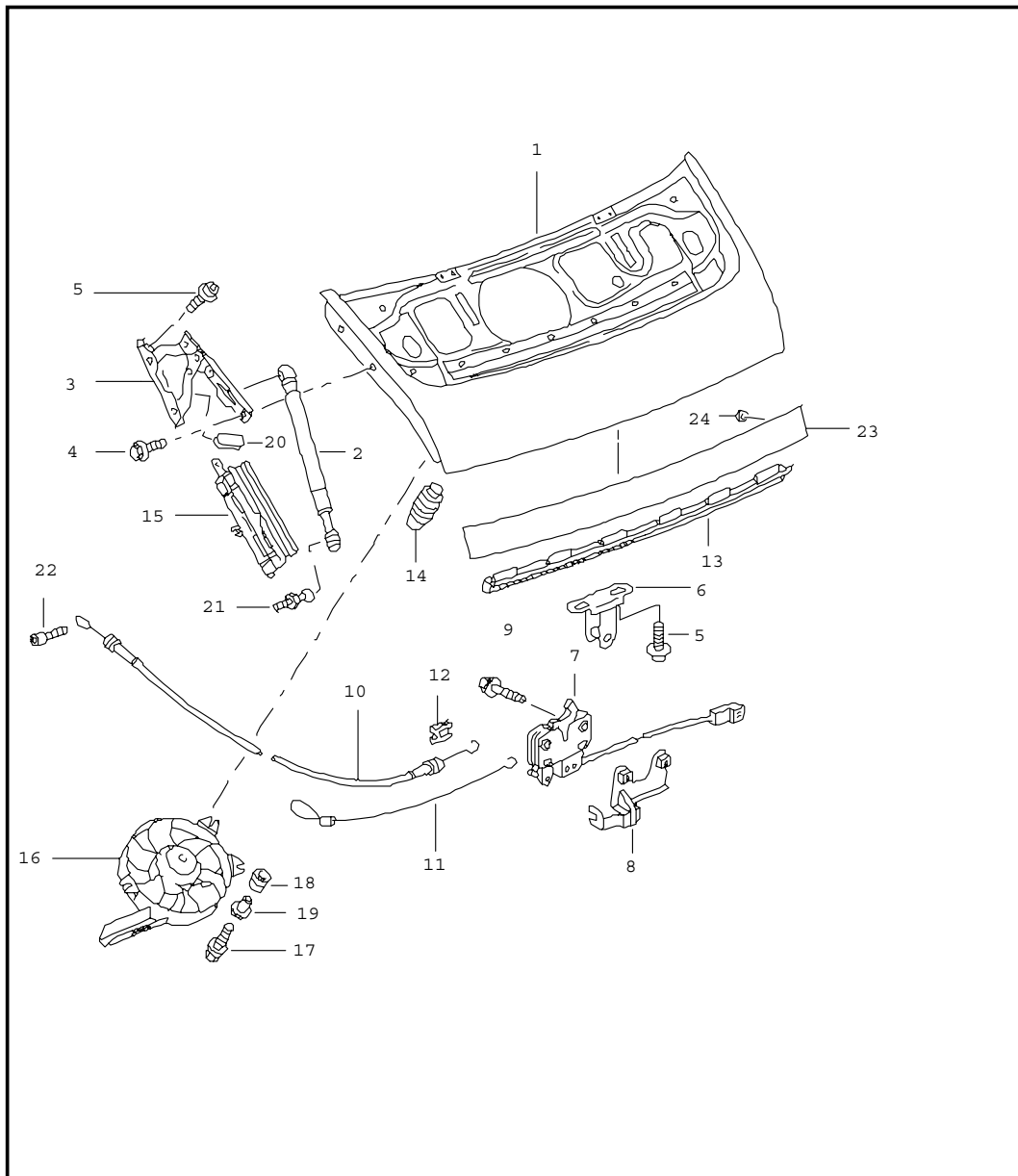


Pos	Part Number	Name	Remarks	Qty	Model
1	996 511 011 02	cover front		1	
	GRV	prime coated			
		use also:			
-	000 043 204 38	sealing material		1	
2	996 511 551 01	gas-filled strut		2	
3	996 511 151 01	hinge	/L	1	
(3)	996 511 152 01	hinge	/R	1	
4	900 378 036 09	hexagon-head bolt M 6 X 12		4	
5	900 075 466 09	screw M 6 X 16		6	
6	996 511 051 02	lock upper part		1	
7	900 378 173 09	hexagon-head bolt M 6 X 20		2	
8 A	996 511 053 01	lock lower part	-01	1	
8	996 511 053 02	lock lower part		1	
9	996 613 206 00	microswitch		1	
10	900 075 347 02	screw M 6 X 28		1	
11	996 511 017 01	traction	/LL -00	1	
(11)	996 511 018 00	traction	/RL -00	1	
12	996 511 521 00	emergency operation		1	
13	996 511 611 00	gasket		1	
14	999 703 140 40	buffer		2	
15	996 504 811 00	trim	-01	1	
		01C	satin black		
15	996 504 811 02	trim	02-	1	
		01C	satin black		
16	999 590 036 40	catch		4	
		01C	satin black		

Model	Year	MG	SG	Illustration	Restrictions	Update	12:44	23.08.2006	PORSCHE	PET	PORSCHE
996	05	8	03	803-00		203					

Pos	Part Number	Name	Remarks	Qty	Model	Pos	Part Number	Name	Remarks	Qty	Model
17	996 511 653 00	cover		1							
18	900 119 121 09	pan-head screw M 4 X 14		1							
19	996 511 127 00	actuator	01-	1							
		- - - E N D - - -									

Model	Year	MG	SG	Illustration	Restrictions	Update	12:44	23.08.2006	PORSCHE	PET	PORSCHE
996	05	8	03	803-05		203					

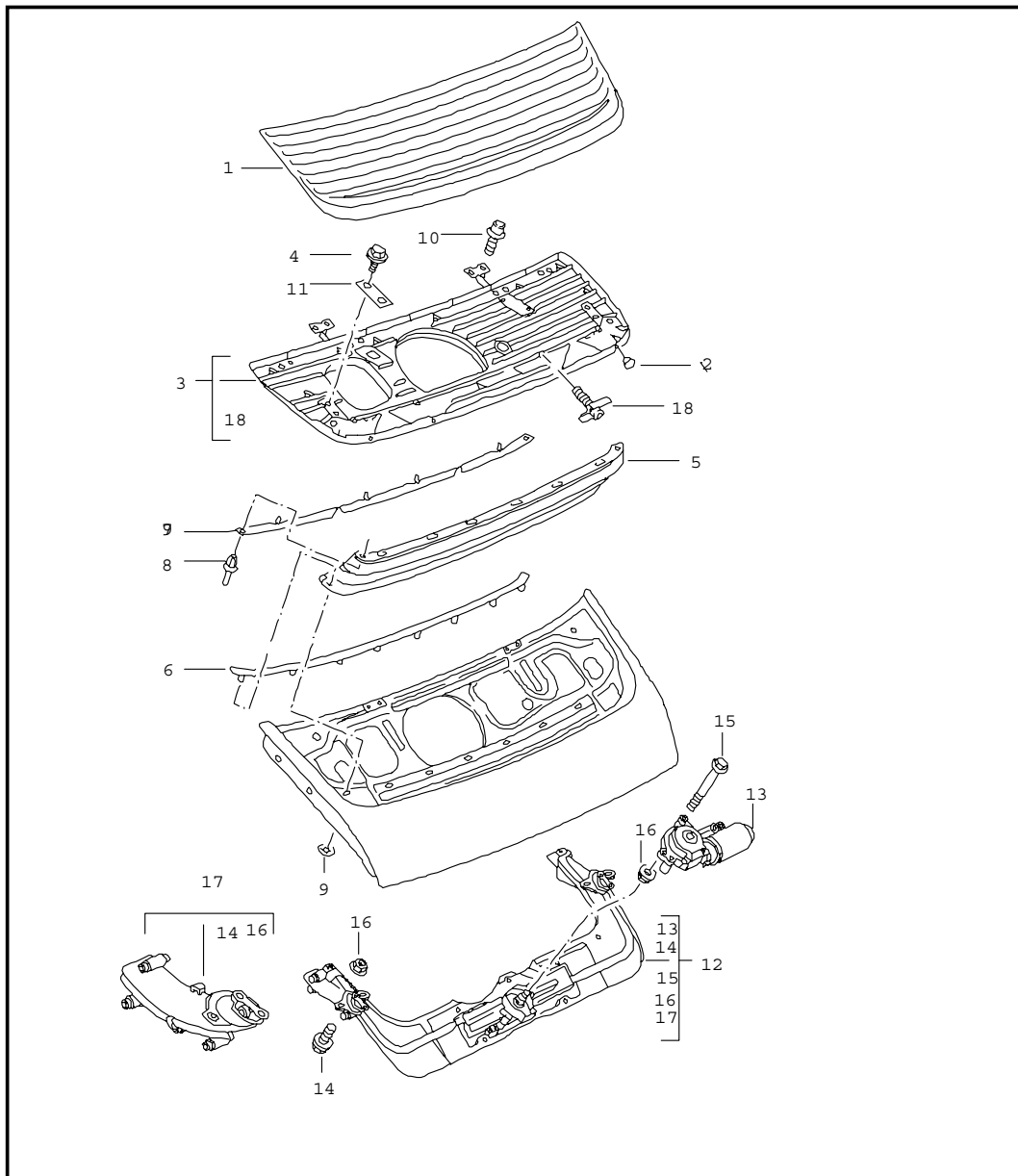


Pos	Part Number	Name	Remarks	Qty	Model
1	996 512 011 01	cover rear		1	
	GRV	prime coated			
		use also:			
-	000 043 204 38	sealing material		1	
(1)	996 512 221 01	cover		1	C4S COUPE
	G2X	prime coated			
(1)	996 512 221 02	cover		1	C4S_CABRIO
	G2X	prime coated			
2	996 512 551 03	gas-filled strut	/R	1	
2	996 512 551 04	gas-filled strut		2	C4S COUPE
2	996 512 551 05	gas-filled strut see technical information group 5 3/97		2	C4S CABRIO
3	996 512 151 01	hinge	/L	1	
3	996 512 151 03	hinge	/L	1	C4S
(3)	996 512 152 01	hinge	/R	1	
(3)	996 512 152 03	hinge	/R	1	C4S
4	900 378 155 09	hexagon-head bolt M 6 X 16		4	
5	900 075 466 09	screw M 6 X 16		6	
6 A	993 512 213 00	lock upper part	-00	1	
6	996 512 213 00	lock upper part		1	
(7)	996 512 053 01	lock lower part F >>99WS6 00563		1	
7	996 512 053 03	lock lower part F 99WS6 00564>>		1	
(8)	996 512 753 02	plate F >>99WS6 00563		1	
8	996 512 753 03	plate F 99WS6 00564>>		1	
(8)	996 512 055 00	actuator		1	M 534, M 535

Model	Year	MG	SG	Illustration	Restrictions	Update	12:44	23.08.2006	PORSCHE	PET	PORSCHE
996	05	8	03	803-05		203					

Pos	Part Number	Name	Remarks	Qty	Model	Pos	Part Number	Name	Remarks	Qty	Model
9	900 378 168 09	hexagon-head bolt M 6 X 30		2							
10	996 512 017 00	traction	/LL	1							
(10)	996 512 018 00	traction	/RL	1							
11	996 512 521 00	emergency operation		1							
12	999 166 054 02	sl-lock	-00	1							
(12)	900 116 002 02	lock washer	01-	1							
13	996 512 611 00	gasket		1							
13	996 512 611 01	gasket		1	C4S						
-	000 043 157 00	cleaning agents 30 ML		X							
14	999 703 140 40	buffer		2							
15	996 610 230 00	cable holder		1							
16	996 624 036 04	blower		1							
17	900 378 030 09	hexagon-head bolt M 6 X 20		3							
18	999 703 451 40	rubber sleeve		3							
19	999 209 049 02	spacer sleeve		3							
20	996 512 153 00	stop		2							
21	999 167 049 02	ball pin M 6		1							
(21)	999 167 042 02	ball pin M 8		1							
22	900 119 121 09	pan-head screw M 4 X 14		1							
23	996 512 259 00	reflector cover		1	C4S						
24	996 512 671 00	clamping nut		13	C4S						
-	999 919 713 09	oval-head screw M 5 X 10		13	C4S						
		- - - E N D - - -									

Model	Year	MG	SG	Illustration	Restrictions	Update	12:44	23.08.2006	PORSCHE	PET	PORSCHE
996	05	8	03	803-07		203					

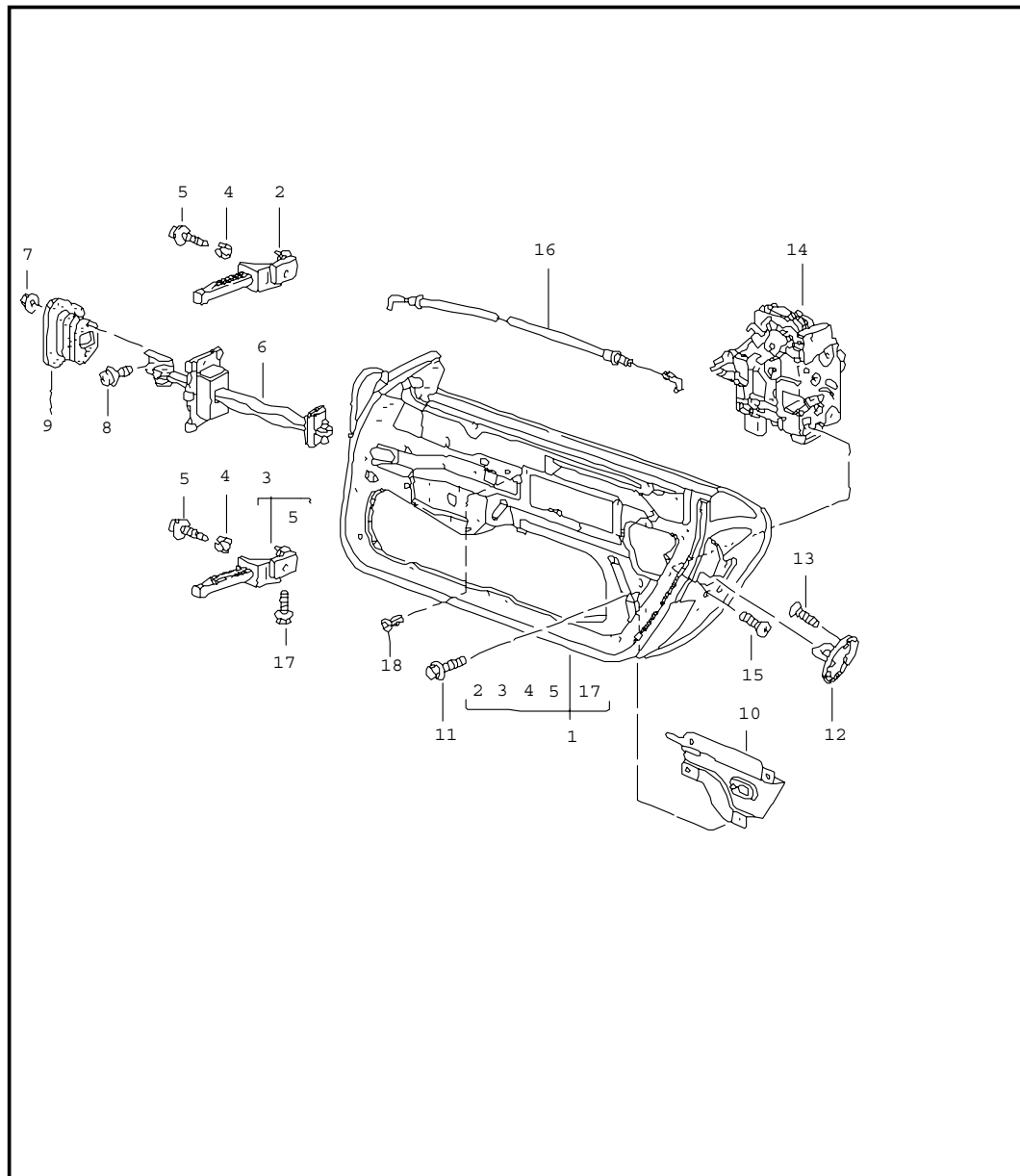


Pos	Part Number	Name	Remarks	Qty	Model
		rear spoiler			
1	996 512 240 01	spoiler		1	
	G2X	prime coated upper part			
2	996 512 212 00	plug		4	
3	996 512 205 01	spoiler lower part		1	
-	999 703 488 40	buffer 5,9 X 11,5 X 16		2	
4	900 075 008 09	hexagon-head bolt M 6 X 8		4	
5	996 512 250 00	rear wall		1	
6	996 512 163 00	rail lower		1	
7	996 512 164 00	rail upper		1	
8	999 591 712 40	expansion rivet 6,0 X 12,0		2	
9	999 591 974 07	clamping washer 5,0		8	
10	900 067 380 09	pan-head screw M 6 X 18		4	
11	996 512 757 00	desk pad		2	
12 A	996 512 109 00	driving mechanism		1	
12	996 512 109 04	driving mechanism		1	
(12) A	996 512 109 02	driving mechanism		1	C4S
(12)	996 512 109 06	driving mechanism		1	C4S
13	996 624 151 00	electric motor		1	
14	900 067 273 09	pan-head screw M 6 X 16		10	
15	900 074 364 02	hexagon-head bolt M 5 X 55 micro-self-locking		3	
16	900 377 009 02	hexagon nut M 5		3	
17	996 512 911 00	hinge		2	

Model	Year	MG	SG	Illustration	Restrictions	Update	12:44	23.08.2006	PORSCHE	PET	PORSCHE
996	05	8	03	803-07		203					

Pos	Part Number	Name	Remarks	Qty	Model	Pos	Part Number	Name	Remarks	Qty	Model
17	996 512 911 01	hinge		2	C4S						
18	996 512 255 01	support		4							
		- - - E N D - - -									

Model	Year	MG	SG	Illustration	Restrictions	Update	12:44	23.08.2006	PORSCHE	PET	PORSCHE
996	05	8	04	804-00		203					



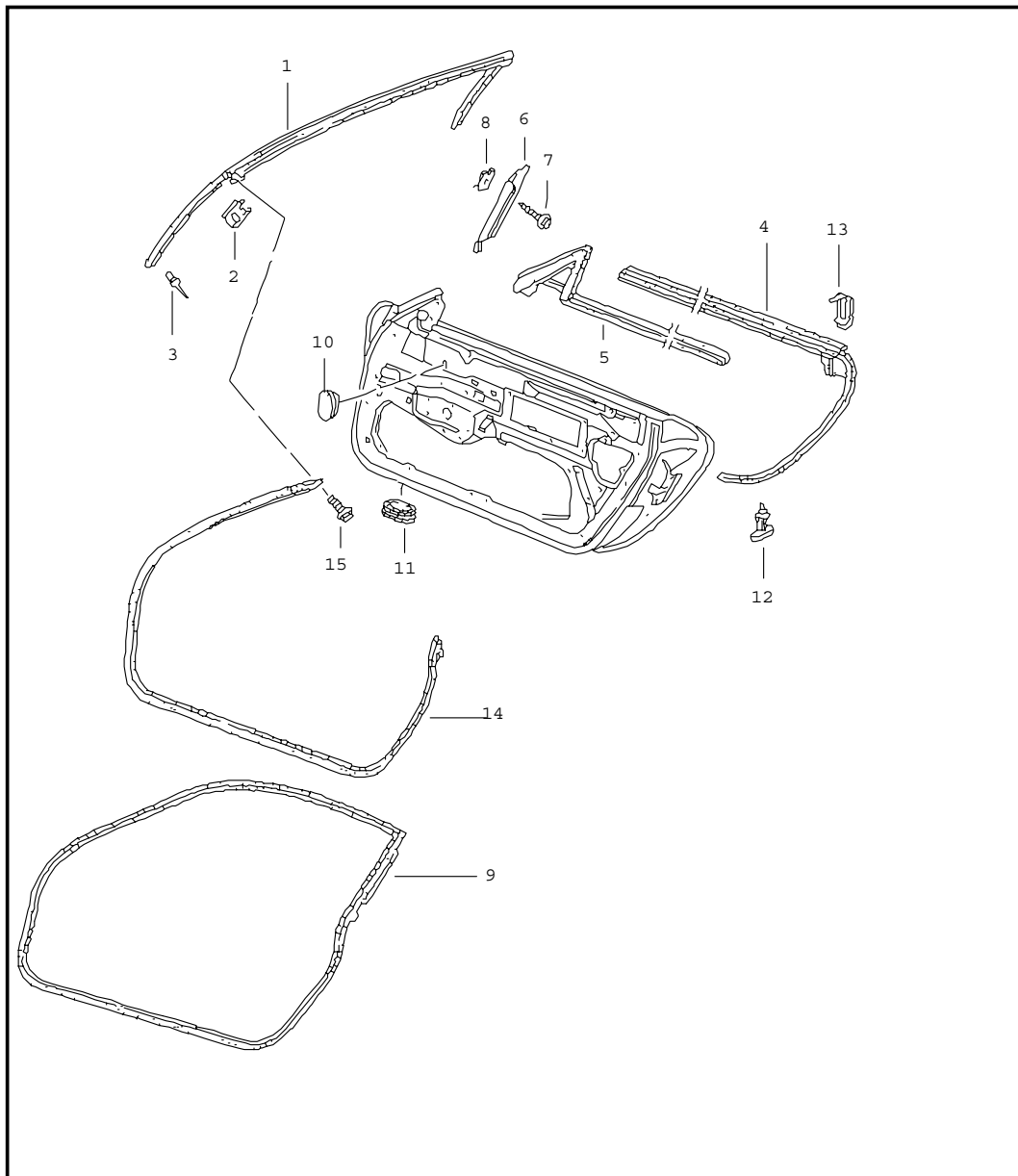
Pos	Part Number	Name	Remarks	Qty	Model
		door in white installation parts door lock			
(1) A	996 531 011 04	door in white	/L	1	
	GRV	prime coated use also: POS.17 see technical information group 5 5/00			
(1)	996 531 011 05	door in white	/L	1	
	GRV	prime coated use also: POS.17 see technical information group 5 5/00			
1 A	996 531 012 04	door in white	/R	1	
	GRV	prime coated use also: POS.17 see technical information group 5 5/00			
1	996 531 012 05	door in white	/R	1	
	GRV	prime coated use also: POS.17 see technical information group 5 5/00			
-	000 043 204 38	sealing material		1	
(2)	996 531 321 04	hinge	/L	1	
2	996 531 322 04	hinge	/R	1	
(3)	996 531 319 03	hinge	/L	1	
3	996 531 320 03	hinge	/R	1	
4	996 531 831 00	sleeve		4	
5	999 073 192 02	pan-head screw M 8 X 33		2	
6	996 537 151 02	door arrester		2	



Model	Year	MG	SG	Illustration	Restrictions	Update	12:44	23.08.2006	PORSCHE	PET	PORSCHE
996	05	8	04	804-00		203					

Pos	Part Number	Name	Remarks	Qty	Model	Pos	Part Number	Name	Remarks	Qty	Model
7	999 084 212 02	nut M 6		4				- - - E N D - - -			
8	999 073 138 09	screw M 8 X 25		2							
9	996 537 751 00	seal		2							
(10)	996 537 523 00	bracket	/L	1							
	GRV	prime coated									
10	996 537 524 00	bracket	/R	1							
	GRV	prime coated									
11	900 075 487 09	screw M 6 X 16		10							
12	3B0 837 033 P	end plate		2							
13	N 907 985 02	countersunk-head screw M 8 X 16,5		4							
(14) A	8N1 837 015	door lock	/LL/L-01	1							
(14)	8N1 837 015 B	door lock	/LL/L	1							
14 A	8N1 837 016	door lock	/LL/R-01	1							
14	8N1 837 016 B	door lock	/LL/R	1							
(14)	3B1 837 016 M	door lock	/LL/R	1	M 534/M 535						
(14) A	8N2 837 015	door lock	/RL/L-01	1							
(14)	8N2 837 015 B	door lock	/RL/L	1							
(14)	3B2 837 015 F	door lock	/RL/L	1	M 534/M 535						
(14) A	8N2 837 016 B	door lock	/RL/R-01	1							
(14)	8N2 837 016 B	door lock	/RL/R	1							
15	N 908 005 01	screw M 8 X 14		4							
16	996 537 320 03	bowden cable see technical information group 5 6/98		2							
17	999 072 043 09	hexagon-head bolt M 6 X 12 micro-self-locking		4							
18	999 500 066 02	blind rivet nut M 6/0,5 - 3		6	M 563						

Model	Year	MG	SG	Illustration	Restrictions	Update	12:44	23.08.2006	PORSCHE	PET	PORSCHE
996	05	8	04	804-10		203					

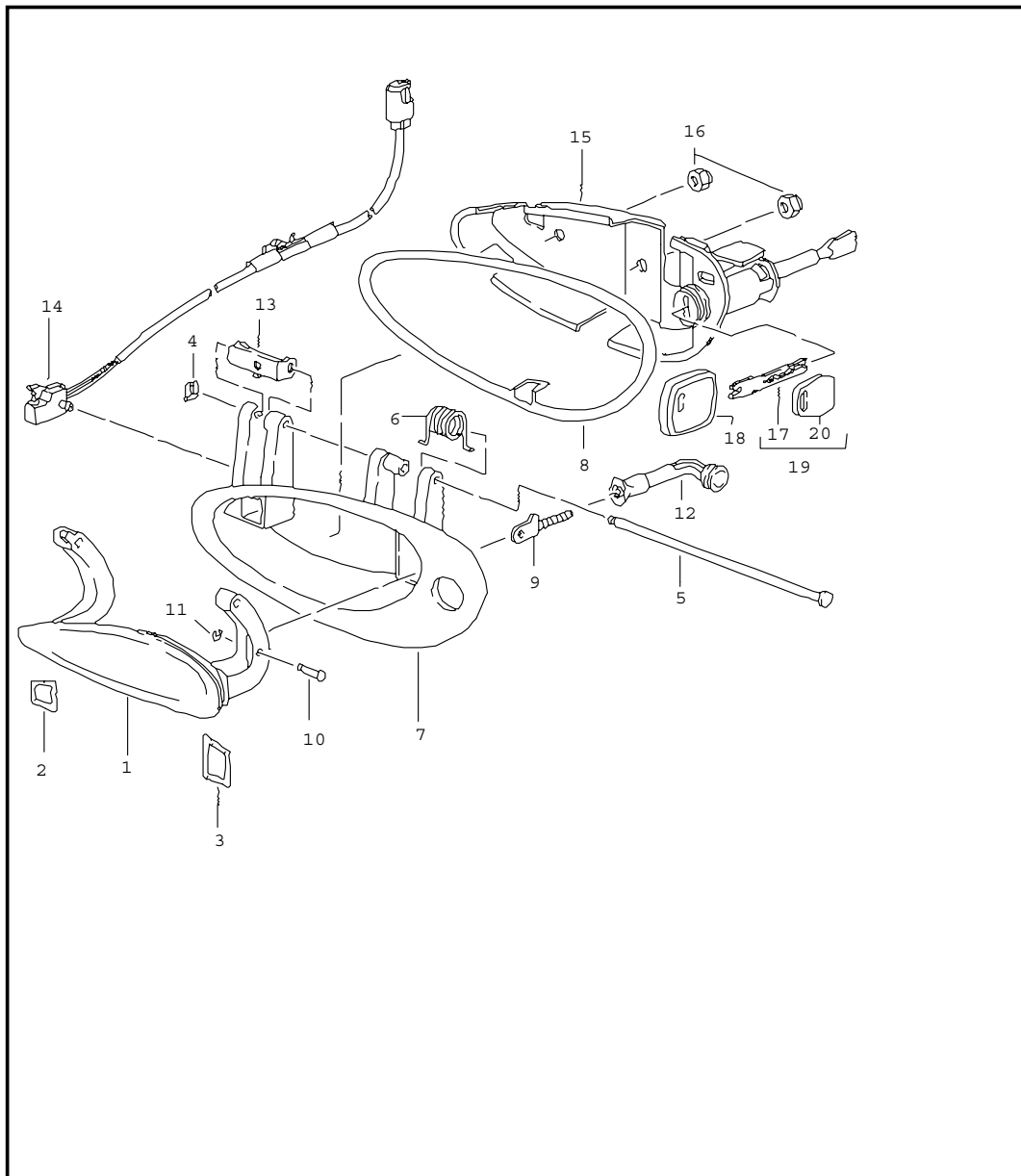


Pos	Part Number	Name	Remarks	Qty	Model
		door seal gasket windscreen frame			
1	A 996 537 077 01	gasket	-01	1	CABRIO
1	996 537 077 02	gasket		1	CABRIO
2	999 507 678 01	u-clamp 4,0-4,5		2	CABRIO
3	999 190 445 37	rivet A 4,0 X 7,9		36	CABRIO
(4)	996 537 085 07	gasket outer	/L	1	
4	996 537 086 07	gasket outer	/R	1	
(5)	A 996 537 531 05	sealing for door slot	/L -01	1	
5	996 537 531 06	gasket inner	/L	1	
5	A 996 537 532 06	sealing for door slot	/R -01	1	
5	996 537 532 06	gasket inner	/R	1	
(6)	A 996 537 725 01	window guide	/L -02	1	
(6)	996 537 725 02	window guide	/L	1	
6	A 996 537 726 01	window guide	/R -02	1	
6	996 537 726 02	window guide	/R	1	
7	999 073 047 02	tapping screw ST 3,5 X 9,5		2	
8	999 591 725 02	speed nut ST 3,5		2	
(9)	996 537 075 03	gasket	/L	1	COUPE
9	996 537 076 03	gasket	/R	1	COUPE
10	999 703 441 40	cover 20 X 28 X 1		4	
11	999 703 417 40	cover 24 X 39		8	
12	999 507 578 40	clip gasket outer		36	

Model	Year	MG	SG	Illustration	Restrictions	Update	12:44	23.08.2006	PORSCHE	PET	PORSCHE
996	05	8	04	804-10		203					

Pos	Part Number	Name	Remarks	Qty	Model	Pos	Part Number	Name	Remarks	Qty	Model
13	999 507 571 02	clamp		2							
14	996 537 075 04	gasket	/L	1	CABRIO						
(14)	996 537 076 04	gasket	/R	1	CABRIO						
15	900 075 483 02	screw M 5 X 20		2	CABRIO						
- - - E N D - - -											

Model	Year	MG	SG	Illustration	Restrictions	Update	12:45	23.08.2006	PORSCHE	PET	PORSCHE
996	05	8	04	804-20		203					

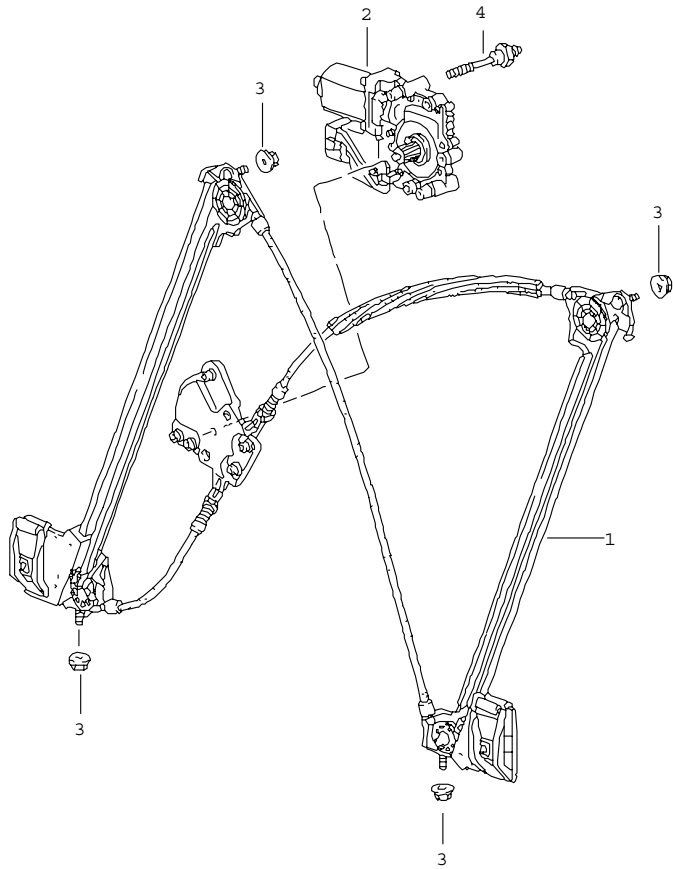


Pos	Part Number	Name	Remarks	Qty	Model
1	996 537 613 01	door handle handle	/L	1	
	G2X	prime coated			
(1)	996 537 614 01	door handle handle	/R	1	
	G2X	prime coated			
2	996 537 623 01	buffer		2	
3	996 537 625 00	buffer		2	
4	996 537 631 00	sl-lock		2	
5	996 537 621 00	axle		2	
6	996 537 611 00	return spring	/L	1	
(6)	996 537 612 00	return spring	/R	1	
7	996 537 645 01	handle liner	/LL/L	1	
	G2X	prime coated			
(7)	996 537 645 01	handle liner	/RL/L	1	M 532
	G2X	prime coated			
(7)	996 537 647 01	handle liner	/RL/L	1	M 534/M 535
	G2X	prime coated			
(7)	996 537 646 01	handle liner	/LL/R	1	M 532
	G2X	prime coated			
(7)	996 537 646 01	handle liner	/RL/R	1	
	G2X	prime coated			
(7)	996 537 648 01	handle liner	/LL/R	1	M 534/M 535
	G2X	prime coated			
8	996 537 637 00	desk pad	/L	1	
(8)	996 537 638 00	desk pad	/R	1	
9	996 537 627 00	control shaft		2	
10	996 537 629 01	bolt		2	
11	996 537 641 00	lock washer		2	
12	996 537 445 02	connecting piece		2	

Model	Year	MG	SG	Illustration	Restrictions	Update	12:45	23.08.2006	PORSCHE	PET	PORSCHE
996	05	8	04	804-20		203					

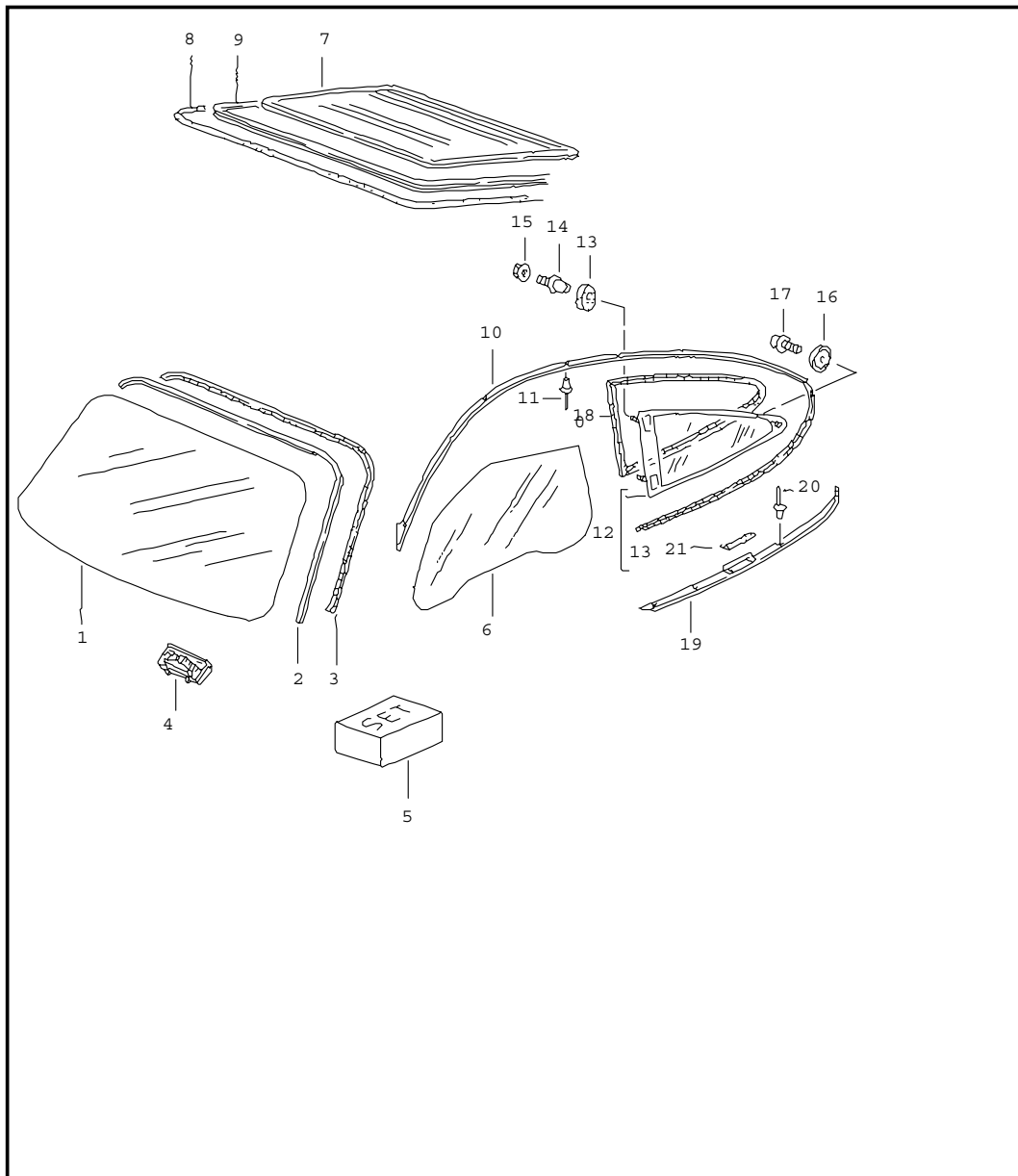
Pos	Part Number	Name	Remarks	Qty	Model	Pos	Part Number	Name	Remarks	Qty	Model
13	996 537 653 00	eccentric	/L	1							
(13)	996 537 654 00	eccentric	/R	1							
14	996 613 125 00	microswitch power windows	/L	1							
(14)	996 613 126 00	microswitch power windows	/R	1							
15	996 537 963 02	support with lock cylinder w/o stipulated lock number	/L	1							
(15)	996 537 964 02	support with lock cylinder w/o stipulated lock number	/R	1							
15	996 537 963 03	support with lock cylinder with stipulated lock-no. state lock number	/L	1							
(15)	996 537 964 03	support with lock cylinder with stipulated lock-no. state lock number	/R	1							
(15)	996 537 063 03	support without lock cylinder	/RL/L	1							
(15)	996 537 064 03	support without lock cylinder	/LL/R	1							
16	900 380 015 09	nut M 6		4							
17	996 538 531 00	blank key		X							
18	996 538 423 01	key cap		X							
19	996 538 932 00	replacement key with stipulated lock-no. state lock number information available		X							
20	944 538 431 00	key cap		X							
		- - - E N D - - -									

Model	Year	MG	SG	Illustration	Restrictions	Update	12:45	23.08.2006	PORSCHE	PET	PORSCHE
996	05	8	04	804-30		203					



Pos	Part Number	Name	Remarks	Qty	Model
		power windows			
(1)	996 542 075 04	power windows	/L	1	
1	996 542 076 04	power windows	/R	1	
(2) A	996 624 101 03	electric motor	/L -02	1	COUPE/TARGA
(2)	996 624 101 05	electric motor	/L	1	COUPE/TARGA
2 A	996 624 102 03	electric motor	/R -02	1	COUPE/TARGA
2	996 624 102 05	electric motor	/R	1	COUPE/TARGA
(2) A	996 624 101 04	electric motor	/L -02	1	CABRIO
(2)	996 624 101 06	electric motor	/L	1	CABRIO
(2) A	996 624 102 04	electric motor	/R -02	1	CABRIO
(2)	996 624 102 06	electric motor	/R	1	CABRIO
3	900 380 015 09	nut M 6		14	
4	996 542 711 00	threaded bolt		6	
- - - E N D - - -					

Model	Year	MG	SG	Illustration	Restrictions	Update	12:45	23.08.2006	PORSCHE	PET	PORSCHE
996	05	8	05	805-00		203					



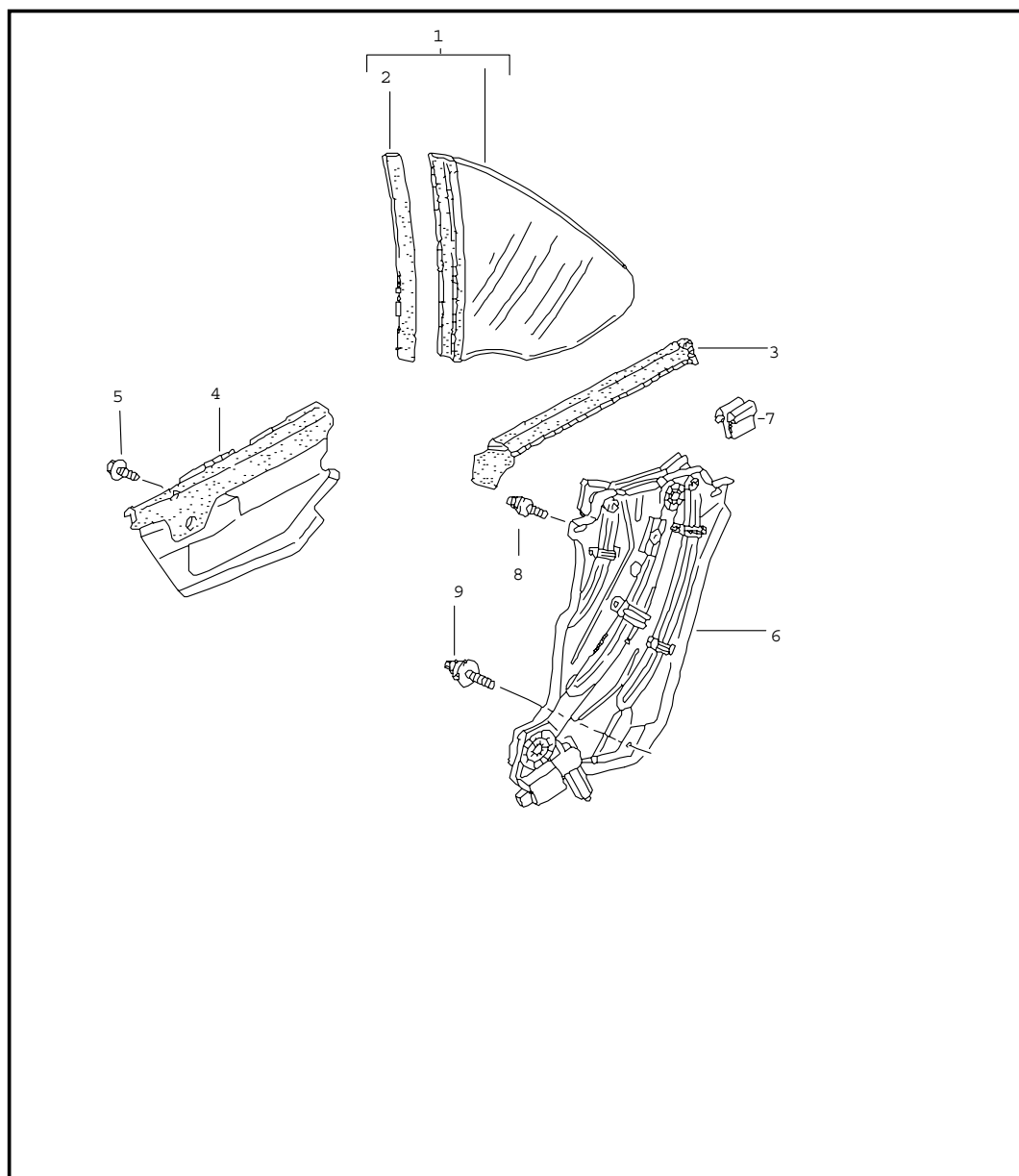
Pos	Part Number	Name	Remarks	Qty	Model
		windows			
1	996 541 901 00	windscreen tinted	-01	1	
1	996 541 901 04	windscreen tinted	02-	1	
1	996 541 901 02	windscreen tinted	01	1	M 265
1	996 541 901 06	windscreen tinted	02-	1	M 265
(1)	996 541 901 01	windscreen tinted upper part: dark green	-01	1	
(1)	996 541 901 05	windscreen tinted upper part: dark green	02-	1	
(1)	996 541 901 03	windscreen tinted upper part: dark green	01	1	M 265
(1)	996 541 901 07	windscreen tinted upper part: dark green	02-	1	M 265
(1)	996 541 901 08	windscreen tinted	03-	1	M 440
(1)	996 541 901 09	windscreen tinted upper part: dark green	03-	1	M 440
(1)	996 541 901 10	windscreen tinted	03-	1	M 440/M 265
(1)	996 541 901 11	windscreen tinted upper part: dark green	03-	1	M 440/M 265
-	996 541 903 00	round rubber cord see technical information group 6 4/99		1	
2	996 541 531 01	sealing frame		1	
3	996 541 541 01	trim frame	-01	1	
3	996 541 541 02	trim frame	02-	1	
4	999 507 576 41	support		2	

Model	Year	MG	SG	Illustration	Restrictions	Update	12:45	23.08.2006	PORSCHE	PET	PORSCHE
996	05	8	05	805-00		203					

Pos	Part Number	Name	Remarks	Qty	Model	Pos	Part Number	Name	Remarks	Qty	Model
5	000 043 300 94	adhesive set TEROSTAT 8593		1		15	999 076 055 09	lock nut M 8		4	
-	000 731 513 00	adhesive plate for interior mirror		1		16	996 543 625 00	sealing washer		2	
6	996 542 511 02	door glass	/L	1	COUPE	17	999 218 011 02	pan-head screw M 6 X 12		2	
(6)	996 542 512 02	door glass	/R	1	COUPE	18	996 543 325 00	sealing frame	/L	1	
(6)	996 542 511 03	door glass	/L	1	CABRIO	18	996 543 325 01	sealing frame	/L	1	TARGA
(6)	996 542 512 03	door glass	/R	1	CABRIO	(18)	996 543 326 00	sealing frame	/R	1	
7	996 545 901 02	rear window	-01	1		(18)	996 543 326 01	sealing frame	/R	1	TARGA
7	996 545 901 03	rear window	02-	1		19	A 996 543 771 07	retaining strip	/L -01	1	
-	996 541 903 00	round rubber cord see technical information group 6 4/99		1		19	996 543 771 08	retaining strip	/L	1	
8	A 996 545 521 03	sealing frame		1		19	A 996 543 771 05	retaining strip	/L	1	TARGA
8	996 545 521 04	sealing frame		1		19	996 537 485 00	retaining strip	/L	1	TARGA
9	996 545 545 01	trim frame	-01	1		(19)	A 996 543 772 07	retaining strip	/R -01	1	
9	996 545 545 02	trim frame	02-	1		(19)	996 543 772 08	retaining strip	/R	1	
10	A 996 537 481 06	roof frame seal	/L -01	1		(19)	A 996 543 772 05	retaining strip	/R	1	TARGA
10	996 537 481 08	roof frame seal	/L	1		(19)	996 537 486 00	retaining strip	/R	1	TARGA
10	996 537 481 04	roof frame seal	/L	1	TARGA	20	999 190 445 37	blind rivet A 4,0 X 7,9		12	
(10)	A 996 537 482 06	roof frame seal	/R -01	1		21	996 543 543 01	spacer see technical information group 6 3/99		2	
(10)	996 537 482 08	roof frame seal	/R	1				- - - E N D - - -			
(10)	996 537 482 04	roof frame seal	/R	1	TARGA						
11	999 190 445 37	blind rivet A 4,0 X 7,9		26							
12	996 543 111 03	rear glass	/L	1							
12	996 543 111 06	rear glass	/L	1	TARGA						
(12)	996 543 112 03	rear glass	/R	1							
(12)	996 543 112 06	rear glass	/R	1	TARGA						
13	996 543 611 02	gasket		4							
14	996 543 435 00	threaded bush		4							

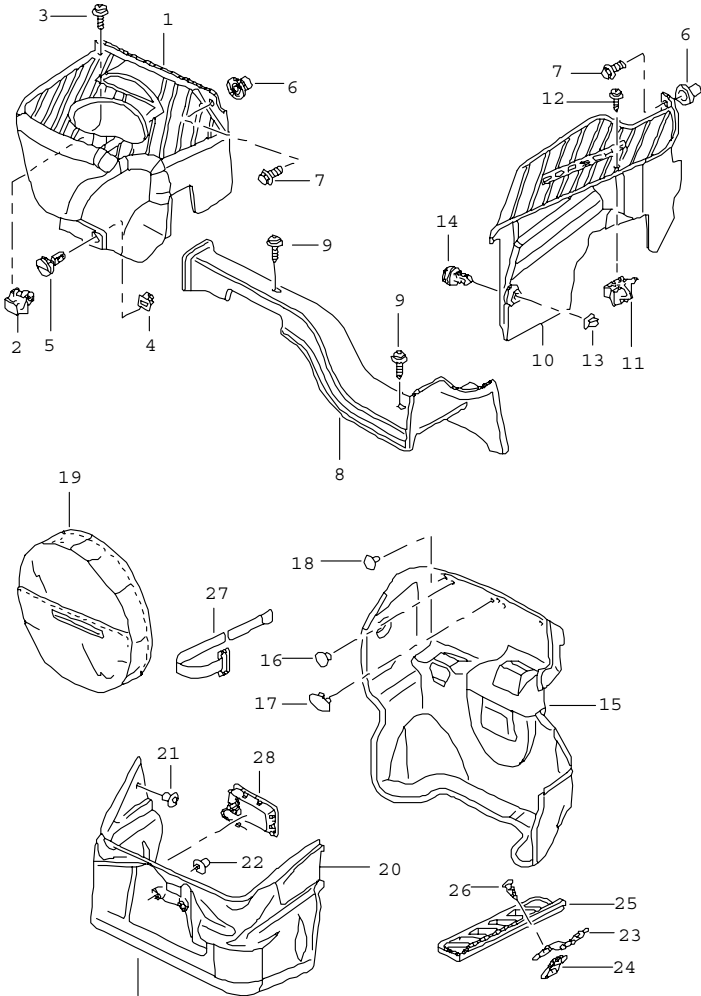


Model	Year	MG	SG	Illustration	Restrictions	Update	12:45	23.08.2006	PORSCHE	PET	PORSCHE
996	05	8	05	805-05		203					



Pos	Part Number	Name	Remarks	Qty	Model
		rear glass			CABRIO
1	996 543 111 08	rear glass	/L -02	1	
1	996 543 111 09	rear glass	/L 03-	1	
(1)	996 543 112 08	rear glass	/R -02	1	
(1)	996 543 112 09	rear glass	/R 03-	1	
2	996 543 615 03	gasket	/L	1	
(2)	996 543 616 03	gasket	/R	1	
3	996 543 475 04	gasket outer	/L	1	
(3)	996 543 476 04	gasket outer	/R	1	
4	996 543 177 01	gasket inner	/L	1	
(4)	996 543 178 01	gasket inner	/R	1	
5	900 378 036 09	hexagon-head bolt M 6 X 12		4	
6	996 543 015 04	power windows	/L	1	
(6)	996 543 016 04	power windows	/R	1	
7	996 543 901 00	insert		4	
8	996 543 903 00	bolt upper		4	
9	996 543 905 00	bolt lower		2	
- - - E N D - - -					

Model	Year	MG	SG	Illustration	Restrictions	Update	12:46	23.08.2006	PORSCHE	PET	PORSCHE
996	05	8	07	807-00		203					



Pos	Part Number	Name	Remarks	Qty	Model
		luggage compartment			
1	996 551 133 04	lining	/RL/R	1	M 338
	01C	satin black			
(1)	996 551 134 00	lining	/RL/R-00	1	M 339
	01C	satin black			
(1)	996 551 134 01	lining	/RL/R01-	1	M 339/692
	01C	satin black			
(1)	996 551 134 02	lining	/RL/R03-	1	M 339/692
	01C	satin black			
(1)	996 551 131 03	lining	/LL/L	1	M 338
	01C	satin black			
(1)	996 551 131 02	lining brake booster	/LL/L99-	1	M 339
	01C	satin black			
(1)	996 551 142 00	lining pre-charge pump	/LL 00-	1	M 338/476
	01C	satin black			
(1)	996 551 142 01	lining pre-charge pump	/RL 00-	1	M 338/476
	01C	satin black			
2	999 507 512 40	support 3,5		1	
3	999 919 151 09	oval-head screw 3,5 X 18		1	
4	999 590 046 40	disc cam 10,0 X 11,5		1	
5	999 507 529 40	catch 18,0		1	
6	999 500 078 00	nut M 6		2	
7	900 378 188 09	hexagon-head bolt M 6 X 20		1	
8	996 551 137 01	lining	/RL	1	
	01C	satin black			

Model	Year	MG	SG	Illustration	Restrictions	Update	12:46	23.08.2006	PORSCHE	PET	PORSCHE
996	05	8	07	807-00		203					

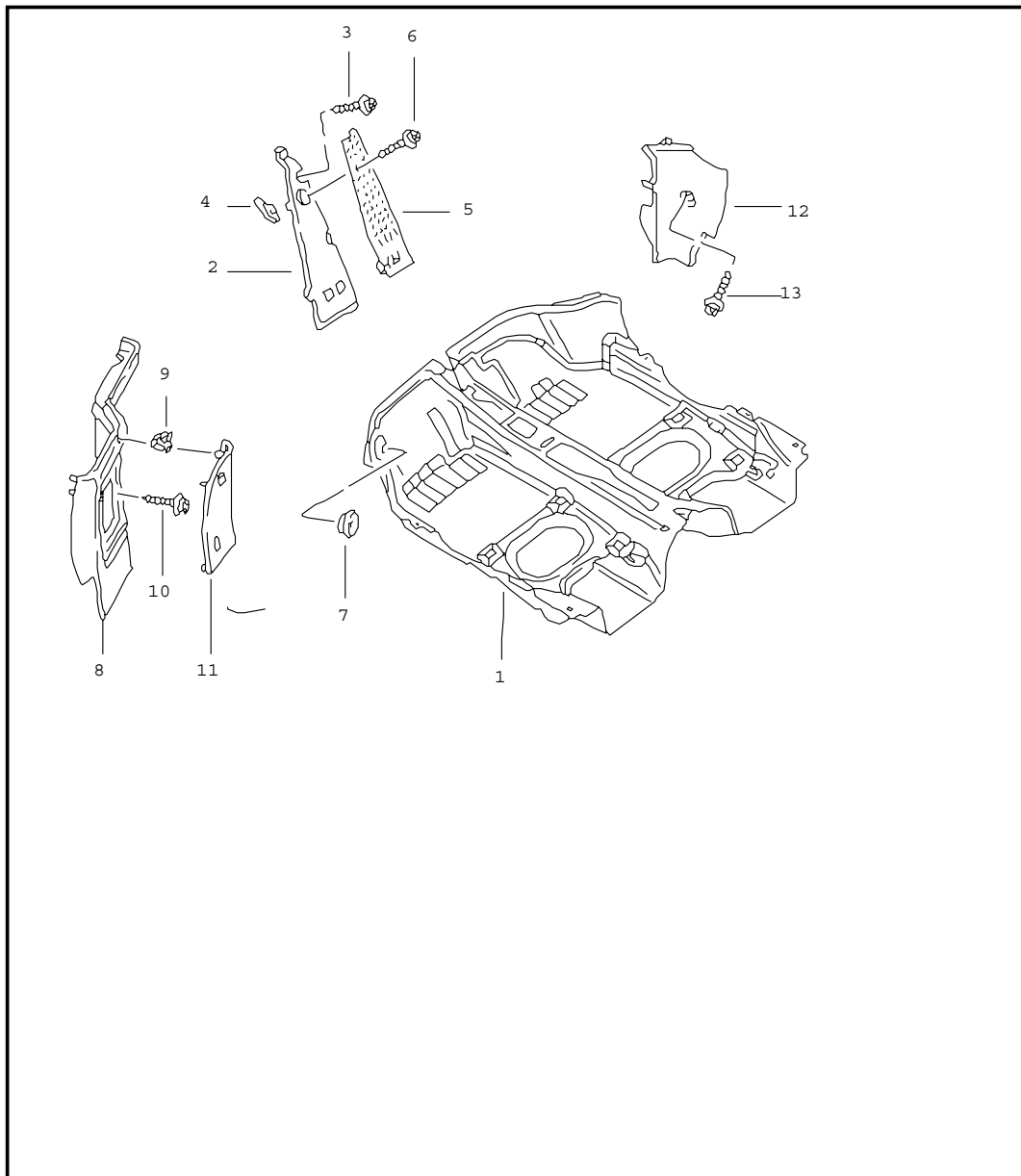
Pos	Part Number	Name	Remarks	Qty	Model	Pos	Part Number	Name	Remarks	Qty	Model
(8)	996 551 137 02	lining pipeline	/LL 00-	1	M 338/476		C10	grey			
	01C	satin black				(15)	996 551 051 09	lining	/H -00	1	M 339
-	999 507 674 40	cable holder	/LL 00-	1	M 338/476		C10	grey			
9	999 919 151 09	screw 3,5 X 18		2		(15)	996 551 051 15	lining	/RL/H-00	1	M 338
							C10	grey			
10	996 551 135 01	lining	/RL/L98	1		(15)	996 551 051 13	lining	/RL/H-00	1	M 338/476
	01C	satin black					C10	grey			
10	996 551 135 01	lining	/RL/L99	1	M 338	(15)	996 551 051 11	lining	/RL/H 99	1	M 339
	01C	satin black					C10	grey			
10	996 551 135 02	lining	/RL/L00-	1	M 338	(15)	996 551 051 10	lining luggage compartment	/RL/H 00	1	M 339
	01C	satin black					C10	grey			
(10)	996 551 135 03	lining	/RL/L03-	1	M 338/692	15	996 551 051 16	lining luggage compartment	/LL 01-	1	M 338
	01C	satin black					A31	black			
(10)	996 551 133 03	lining hydraulic unit	/RL/L99-	1	M 339	(15)	996 551 051 18	lining luggage compartment	/LL 01-	1	M 338/476
	01C	satin black					A31	black			
11	999 507 512 40	support	/RL	1							
11	999 507 512 40	support 3,5	/LL	2		(15) A	996 551 051 20	lining luggage compartment	/LL -02	1	M 339
							A31	black			
(11)	996 551 771 00	support		1	M 338						
(11)	996 551 773 00	support	99-	1	M 339	(15)	996 551 051 22	lining luggage compartment	/LL 03-	1	M 339
12	999 919 151 09	oval-head screw	/RL	2							
12	999 919 151 09	oval-head screw 3,5 X 18	/LL	3							
						(15)	996 551 051 17	lining luggage compartment	/RL 01-	1	M 338
							A31	black			
13	999 590 046 40	disc cam	/RL	1							
13	999 590 046 40	disc cam 10,0 X 11,5	/LL	2		(15)	996 551 051 19	lining luggage compartment	/RL 01-	1	M 338/476
							A31	black			
14	999 507 529 40	catch 18,0		2							
15	996 551 051 14	lining	/H -00	1	M 338	(15)	996 551 051 21	lining luggage compartment	/RL 01-	1	M 339
	C10	grey					A31	black			
(15)	996 551 051 12	lining	/H -00	1	M 338/476						

Model	Year	MG	SG	Illustration	Restrictions	Update	12:46	23.08.2006	PORSCHE	PET	PORSCHE
996	05	8	07	807-00		203					

Pos	Part Number	Name	Remarks	Qty	Model	Pos	Part Number	Name	Remarks	Qty	Model
16	999 703 432 40	plug 8,0 12,2 X 25		8		(20)	996 551 045 10	lining	/V 02-	1	M 339
							A31	black			
17	999 703 456 40	cap 49 X 26 12,2 X 25		1		--	996 551 845 00	adhesive carpet		1	M 339
						21	999 703 432 40	plug 8,0		2	
18	999 703 455 40	cap 12,2 X 25		2		22	999 507 565 40	plastic nut T5/ 24,15		2	
19	996 551 061 00	lining		1	COUPE:M 338	(22)	999 507 566 40	plastic nut T5/ 39,70		1	
(19)	996 551 061 01	lining		1	CABRIO:M 338						
--	996 551 351 02	lining floor	99-00	1	M 339	23	996 551 761 00	support	/LL -02	1	M 339
	C10	grey				23	996 551 761 01	support cover booster	/LL 03-	1	M 339
--	996 551 351 03	lining floor	01	1	M 339	24	999 591 725 02	speed nut 3,5		1	M 339
	A31	black				25	996 551 451 00	cover booster		1	M 339
--	996 551 351 04	lining floor	02-	1	M 339		01C	satin black			
	A31	black				26	900 144 103 09	tapping screw 3,5 X 13		1	
20	996 551 045 01	lining	/V -00	1	M 338	27	996 551 741 00	retaining strap first-aid kit		1	M 338/692
	C10	grey									
(20) A	996 551 045 03	lining	/V 99	1	M 339						
	C10	grey									
(20)	996 551 045 04	lining	/V -00	1	M 339						
	C10	grey									
20 A	996 551 045 06	lining	/V_01-02	1	M 338						
	A31	black									
20	996 551 045 08	lining	/V 02-	1	M 338						
	A31	black									
(20)	996 551 045 07	lining	/V 01	1	M 339						
	A31	black									
(20) A	996 551 045 05	lining	/V 02	1	M 339						
	A31	black									

- - - E N D - - -

Model	Year	MG	SG	Illustration	Restrictions	Update	12:46	23.08.2006	PORSCHE	PET	PORSCHE
996	05	8	07	807-02		203					



Pos	Part Number	Name	Remarks	Qty	Model
1	996 551 011 02	carpet linings carpet	/LL	1	COUPE/ TARGA
	EEW	black			
	EEX	graphite grey			
	EEY	savanna			
	EFB	nephrite green	-01		
	FAR	nephrite green	02-		
	EFC	boxster red			
	EEZ	metropole blue			
	EFA	space grey	-00		
	VRL	dark grey	00-		
	VRM	brown/natural	00-		
	FAP	cinnamon brown	01-		
(1)	996 551 011 03	carpet	/RL	1	COUPE/ TARGA
	EEW	black			
	EEX	graphite grey			
	EEY	savanna			
	EFB	nephrite green	-01		
	FAR	nephrite green	02-		
	EFC	boxster red			
	EEZ	metropole blue			
	EFA	space grey	-00		
	VRL	dark grey	00-		
	VRM	brown/natural	00-		
	FAP	cinnamon brown	01-		
(1)	996 551 011 04	carpet	/LL	1	CABRIO
	EEW	black			
	EEX	graphite grey			

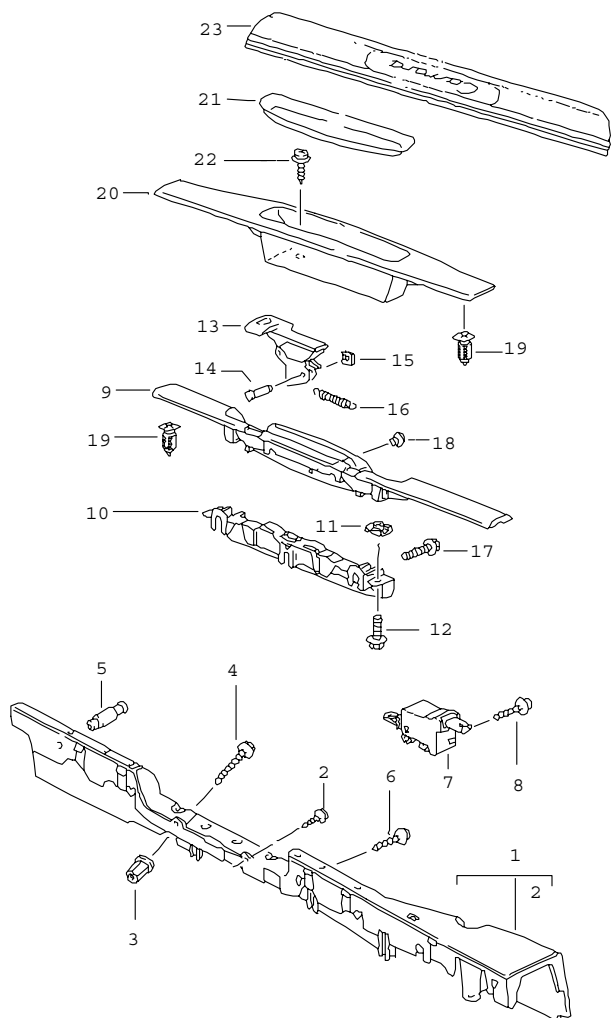
Model	Year	MG	SG	Illustration	Restrictions	Update	12:46	23.08.2006	PORSCHE	PET	PORSCHE
996	05	8	07	807-02		203					

Pos	Part Number	Name	Remarks	Qty	Model	Pos	Part Number	Name	Remarks	Qty	Model
	EEY	savanna					VRM	brown/natural	00-		
	EFB	nephrite green	-01				FAP	cinnamon brown	01-		
	FAR	nephrite green	02-			(1)	996 551 011 07	carpet	/RL 02-	1	CABRIO:M 680
	EFC	boxster red					EEW	black			
	EEZ	metropole blue					EEZ	graphite grey			
	EFA	space grey	-00				EEY	savanna			
	VRL	dark grey	00-				FAR	nephrite green	02-		
	VRM	brown/natural	00-				EFC	boxster red			
	FAP	cinnamon brown	01-				EEZ	metropole blue			
(1)	996 551 011 06	carpet	/LL 02-	1	CABRIO:M 680		VRL	dark grey	00-		
	EEW	black					VRM	brown/natural	00-		
	EEZ	graphite grey					FAP	cinnamon brown	01-		
	EEY	savanna				(1)	996 551 011 08	carpet	/LL 02-	1	TARGA:M 680
	FAR	nephrite green	02-				EEW	black			
	EFC	boxster red					EEZ	graphite grey			
	EEZ	metropole blue					EEY	savanna			
	VRL	dark grey	00-				FAR	nephrite green	02-		
	VRM	brown/natural	00-				EFC	boxster red			
	FAP	cinnamon brown	01-				EEZ	metropole blue			
(1)	996 551 011 05	carpet	/RL	1	CABRIO		VRL	dark grey	00-		
	EEW	black					VRM	brown/natural	00-		
	EEZ	graphite grey					FAP	cinnamon brown	01-		
	EEY	savanna				(1)	996 551 011 09	carpet	/RL 02-	1	TARGA:M 680
	EFB	nephrite green	-01				EEW	black			
	FAR	nephrite green	02-				EEZ	graphite grey			
	EFC	boxster red					EEY	savanna			
	EEZ	metropole blue					FAR	nephrite green	02-		
	EFA	space grey	-00				EFC	boxster red			
	VRL	dark grey	00-				EEZ	metropole blue			

Model	Year	MG	SG	Illustration	Restrictions	Update	12:46	23.08.2006	PORSCHE	PET	PORSCHE
996	05	8	07	807-02		203					

Pos	Part Number	Name	Remarks	Qty	Model	Pos	Part Number	Name	Remarks	Qty	Model
	VRL	dark grey	00-				FBZ	cinnamon brown	01-		
	VRM	brown/natural	00-			(8)	996 551 102 00	lining carpet	/RL	1	
	FAP	cinnamon brown	01-				EAQ	black			
-	996 551 813 00	protective film	/LL	1			EAR	graphite grey			
-	996 551 815 00	protective film	/RL	1			EAS	savanna			
2	996 551 211 00	foot support	/LL	1			EAT	nephrite green			
(2)	996 551 212 00	foot support	/RL	1			EAU	boxster red			
3	999 073 062 02	tapping screw 4,8 X 19	/LL	2			EAV	space grey			
(3)	900 143 155 09	tapping screw 4,8 X 32	/RL	1			EBU	metropole blue			
4	999 591 485 02	speed nut 4,8	/RL	2			VRN	dark grey	00-		
5	996 551 611 00	cover	/LL	1			VRO	brown	00-		
(5)	996 551 612 00	cover foot support	/RL	1		9	999 507 552 02	spring clamp 9,0 X 13		2	
6	999 919 161 09	oval-head screw 5,0 X 18		1		10	999 919 161 09	oval-head screw 5,0 X 18		4	
(6)	900 143 155 02	oval-head screw 4,8 X 32	/RL	1		11	996 551 621 00	cover	/LL	1	
7	803 803 583 A	cover 20,0 X 30,0		2			01C	satin black			
8	996 551 101 00	lining carpet	/LL	1		(11)	996 551 622 00	cover	/RL	1	
	EAQ	black					01C	satin black			
	EAR	graphite grey				12	996 551 712 01	support carpet	/LL/R	1	
	EAS	savanna				(12)	996 551 711 00	support carpet	/RL/L	1	
	EAT	nephrite green				13	999 073 226 09	tapping screw 4,2 X 16		1	
	EAU	boxster red						- - - E N D - - -			
	EAV	space grey									
	EBU	metropole blue									
	VRN	dark grey	00-								
	VRO	brown	00-								

Model	Year	MG	SG	Illustration	Restrictions	Update	12:46	23.08.2006	PORSCHE	PET	PORSCHE
996	05	8	07	807-03		203					



Pos	Part Number	Name	Remarks	Qty	Model
		lining door sill			
1	996 551 619 01	support	/L	1	
(1)	996 551 620 01	support	/R	1	
-	999 551 140 40	felt strip		2	
2	900 143 082 02	tapping screw 6,3 X 13		4	
3	999 500 078 00	nut M 6		2	
-	999 049 022 40	plastic nut		2	
4	900 378 029 09	hexagon-head tapping screw M 6 X 40		2	
5	996 551 873 00	locating peg		2	
6	999 919 121 09	oval-head screw 5,0 X 16		2	
7	996 624 115 01	actuator cover	-00	1	
8	999 919 121 09	oval-head screw 5,0 X 16	-00	2	
(9)	996 551 019 09	lining lacquered granite grey with handle	/LL -99	1	M 537
	EMW	silver			
(9)	996 551 019 10	lining lacquered granite grey with handle	/LL -99	1	M 590
	EMW	silver			
(9)	996 551 019 11	lining lacquered granite grey with handle	/LL -99	1	M 537/590
	EMW	silver			



Model	Year	MG	SG	Illustration	Restrictions	Update	12:46	23.08.2006	PORSCHE	PET	PORSCHE
996	05	8	07	807-03		203					

Pos	Part Number	Name	Remarks	Qty	Model	Pos	Part Number	Name	Remarks	Qty	Model
(9)	996 551 019 13	lining lacquered granite grey with handle  EMW silver	/RL -99	1	M 538	(9)	996 551 019 18	lining lacquered black with handle  ERF silver	/RL 00	1	M 590
(9)	996 551 019 14	lining lacquered granite grey with handle  EMW silver	/RL -99	1	M 590	(9)	996 551 019 19	lining lacquered black with handle  ERF silver	/RL 00	1	M 538/590
(9)	996 551 019 15	lining lacquered granite grey with handle  EMW silver	/RL -99	1	M 538/590	9	996 551 119 01	lining lacquered  D05 granite grey A03 black	-99 00	1	COUPE/CABRIO
(9)	996 551 019 09	lining lacquered black with handle  ERF silver	/LL 00	1	M 537	(9)	996 551 119 04	lining  A03 black	01-	1	COUPE/CABRIO
(9)	996 551 019 16	lining lacquered black with handle  ERF silver	/LL 00	1	M 590	(9)	996 551 119 02	lining  A03 black	02-	1	TARGA
(9)	996 551 019 17	lining lacquered black with handle  ERF silver	/LL 00	1	M 537/590	(9)	996 551 119 05	lining  A03 black	01-	1	COUPE/CABRIO M 537/538
(9)	996 551 019 13	lining lacquered black with handle  ERF silver	/RL 00	1	M 538	(9)	996 551 119 03	lining  A03 black	538 02-	1	TARGA:M 537/
						(9)	996 551 019 20	lining complete  A03 black	/LL -01	1	
						(9)	996 551 019 28	lining complete  A03 black	/LL 02-	1	COUPE/CABRIO
						(9)	996 551 019 24	lining complete  A03 black	/LL 02-	1	TARGA
						(9)	996 551 019 22	lining complete	/LL 01	1	M 537

Model	Year	MG	SG	Illustration	Restrictions	Update	12:46	23.08.2006	PORSCHE	PET	PORSCHE
996	05	8	07	807-03		203					

Pos	Part Number	Name	Remarks	Qty	Model	Pos	Part Number	Name	Remarks	Qty	Model
(9)	996 551 019 30	A03 black lining complete	/LL 02-	1	COUPE/CABRIO M 537		J31	nephrite green			
(9)	996 551 019 26	A03 black lining complete	/LL 02-	1	TARGA:M 537		M31	boxster red			
(9)	996 551 019 21	A03 black lining complete	/RL 01	1		(9)	996 551 980 21	lining complete leather	/RL 01	1	COUPE/CABRIO M XTG
(9)	996 551 019 29	A03 black lining complete	/RL 02-	1	COUPE/CABRIO		A11	black			
(9)	996 551 019 25	A03 black lining complete	/RL 02-	1	TARGA		C51	graphite grey			
(9)	996 551 019 23	A03 black lining complete	/RL 01	1	M 538		S31	savanna			
(9)	996 551 019 31	A03 black lining complete	/RL 02-	1	COUPE/CABRIO M 538	(9)	996 551 980 22	lining complete leather	/LL 01	1	COUPE/CABRIO XTG/537
(9)	996 551 019 27	A03 black lining lacquered complete	/RL 02-	1	TARGA:M 538		A11	black			
(9)	996 551 980 20	A03 black lining complete leather	/LL 01	1	COUPE/CABRIO M XTG		C51	graphite grey			
		A11 black					S31	savanna			
		C51 graphite grey					G11	metropole blue			
		S31 savanna					J31	nephrite green			
		G11 metropole blue					M31	boxster red			
							P12	cinnamon brown			
							D12	dark grey/natural			
							T12	brown/natural			

Model	Year	MG	SG	Illustration	Restrictions	Update	12:46	23.08.2006	PORSCHE	PET	PORSCHE
996	05	8	07	807-03		203					

Pos	Part Number	Name	Remarks	Qty	Model	Pos	Part Number	Name	Remarks	Qty	Model
(9)	996 551 980 23	lining complete leather A11 black C51 graphite grey S31 savanna G11 metropole blue J31 nephrite green M31 boxster red P12 cinnamon brown D12 dark grey/natural T12 brown/natural	/RL 01	1	COUPE/CABRIO XTG/538		J31 nephrite green M31 boxster red P12 cinnamon brown D12 dark grey/natural T12 brown/natural				
(9)	996 551 980 28	lining complete leather VRK black C51 graphite grey S31 savanna G11 metropole blue J31 nephrite green M31 boxster red P12 cinnamon brown D12 dark grey/natural T12 brown/natural	/LL 02-	1	COUPE/CABRIO XTG	(9)	996 551 980 30	lining complete leather VRK black C51 graphite grey S31 savanna G11 metropole blue J31 nephrite green M31 boxster red P12 cinnamon brown D12 dark grey/natural T12 brown/natural	/LL 02-	1	COUPE/CABRIO XTK/537
(9)	996 551 980 29	lining complete leather VRK black C51 graphite grey S31 savanna G11 metropole blue	/RL 02-	1	COUPE/CABRIO XTG	(9)	996 551 980 31	lining complete leather VRK black C51 graphite grey S31 savanna G11 metropole blue J31 nephrite green M31 boxster red P12 cinnamon brown D12 dark grey/natural T12 brown/natural	/RL 02-	1	COUPE/CABRIO XTG/538

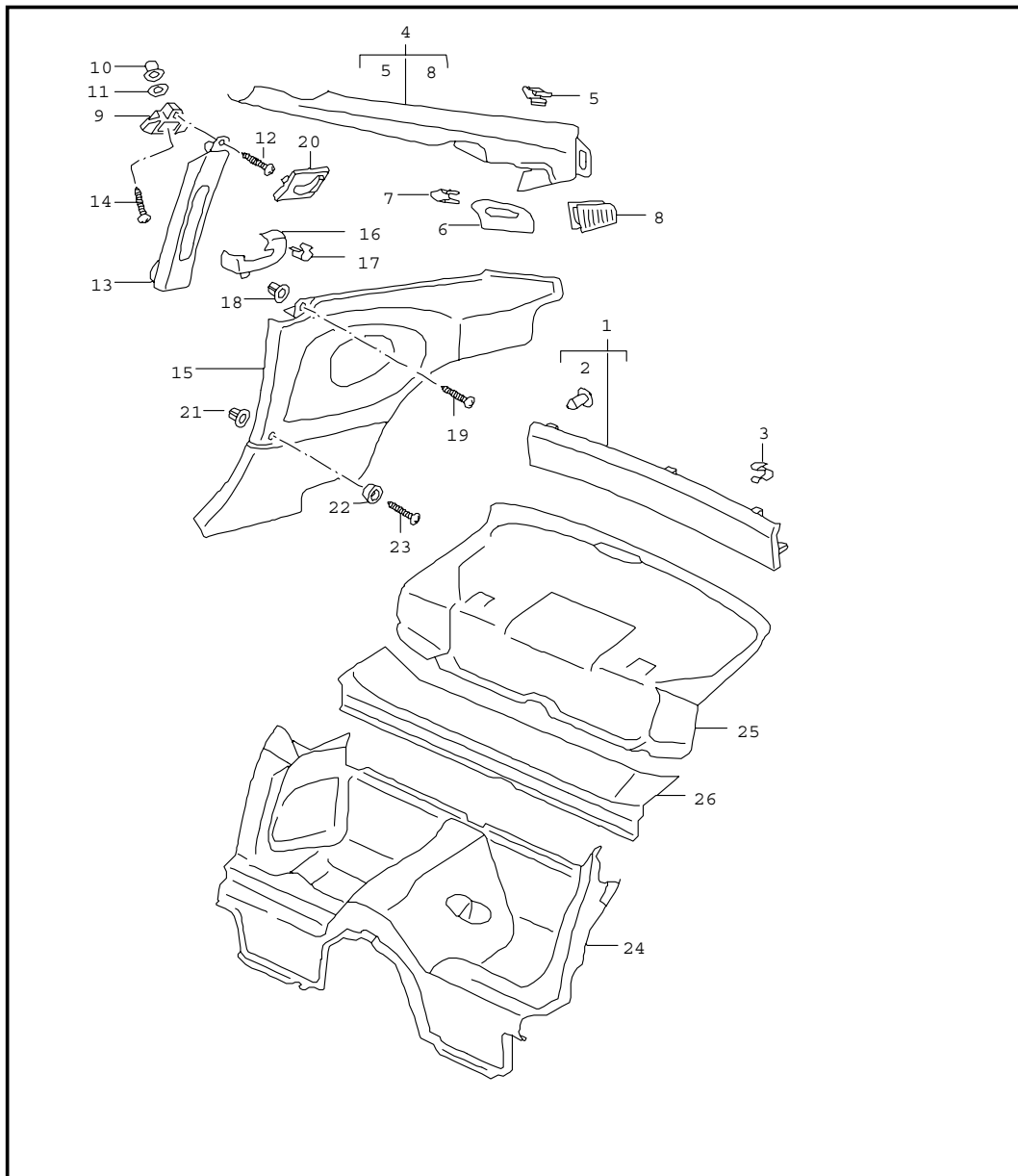
Model	Year	MG	SG	Illustration	Restrictions	Update	12:46	23.08.2006	PORSCHE	PET	PORSCHE
996	05	8	07	807-03		203					

Pos	Part Number	Name	Remarks	Qty	Model	Pos	Part Number	Name	Remarks	Qty	Model
(9)	996 551 980 24	lining complete leather	/LL 02-	1	TARGA:XTG		M31	boxster red			
	VRK	black					D12	dark grey			
	C51	graphite grey					T12	brown/natural			
	S31	savanna					P12	cinnamon brown			
	G11	metropole blue				(9)	996 551 980 27	lining	/RL 02-	1	TARGA:XTG/ M 538
	J31	nephrite green						complete leather			
	M31	boxster red					VRK	black			
	D12	dark grey					C51	graphite grey			
	T12	brown/natural					S31	savanna			
	P12	cinnamon brown					G11	metropole blue			
(9)	996 551 980 25	lining complete leather	/RL 02-	1	TARGA:XTG		J31	nephrite green			
	VRK	black					M31	boxster red			
	C51	graphite grey					D12	dark grey			
	S31	savanna					T12	brown/natural			
	G11	metropole blue				10	996 551 719 00	bracket not for	-00	1	M 590/ M 537/538
	J31	nephrite green					P12	cinnamon brown			
	M31	boxster red				11	999 507 556 02	speed nut not for M 5	-00	2	M 590/ M 537/538
	D12	dark grey						hexagon-head bolt not for M 5 X 16	-00	2	M 590/ M 537/538
	T12	brown/natural				12	900 075 145 02				
	P12	cinnamon brown									
(9)	996 551 980 26	lining complete leather	/LL 02-	1	TARGA:XTG/ M 537	13	996 551 511 03	handle lacquered	/LL/V-00	1	
	VRK	black					V01	silver			
	C51	graphite grey				(13)	996 551 512 05	handle lacquered	/LL/H-00	1	
	S31	savanna					V01	silver			
	G11	metropole blue				(13)	996 551 511 04	handle lacquered	/RL/V-00	1	
	J31	nephrite green					V01	silver			

Model	Year	MG	SG	Illustration	Restrictions	Update	12:46	23.08.2006	PORSCHE	PET	PORSCHE
996	05	8	07	807-03		203					

Pos	Part Number	Name	Remarks	Qty	Model	Pos	Part Number	Name	Remarks	Qty	Model
(13)	996 551 512 06	handle lacquered	/RL/H-00	1		21	996 551 513 00	mat		1	
	V01	silver				22	999 919 164 09	oval-head screw 5,0 X 12		2	
14	999 088 033 02	bolt not for 6 X 22 X 19	-00	2	M 537/538	23	996 551 303 00	scuff plate		2	CARRERA
							D05	granite grey	-99		
15	999 166 079 02	lock not for	-00	2	M 537/538		A03	black	00-		
16	999 522 030 00	tension spring not for	-00	2	M 537/538	(23)	996 551 303 01	scuff plate	99-	2	CARRERA 4
							D05	granite grey	-99		
17	999 218 106 02	screw M 6 X 25	-00	3			A03	black	00-		
(17)	999 067 046 09	pan-head screw M 6 X 20	01-	3		(23)	996 551 303 03	scuff plate	00	2	M094
							A03	black	00-		
18	999 703 443 40	plug 8,0 X 11 X 7,2		3		(23)	996 551 303 04	scuff plate	02-	2	CARRERA 4S
	01C	satin black					A03	black	00-		
19	999 507 484 40	expander nut		18		(23)	996 551 303 05	scuff plate lacquered	02-	2	TARGA
20	996 551 120 00	lining tray		1			A03	black	00-		
	D05	granite grey	-99			(23)	996 551 303 06	scuff plate lacquered	04	2	M 095
	A03	black	00-				VTF	silver metallic			
20	996 551 981 01	lining tray leather	01-	1	M XTG						
	A11	black	01								
	VRK	black	02-								
	C51	graphite grey									
	S31	savanna									
	J31	nephrite green									
	M31	boxster red									
	G11	metropole blue									
	D12	dark grey									
	T12	brown/natural									
	P12	cinnamon brown									
								- - - E N D - - -			

Model	Year	MG	SG	Illustration	Restrictions	Update	12:46	23.08.2006	PORSCHE	PET	PORSCHE
996	05	8	07	807-05		203					



Pos	Part Number	Name	Remarks	Qty	Model
1	996 555 081 02	linings rear		1	COUPE
		lining leatherette			
		A18 black	-99		
		C18 graphite grey	-99		
		S18 savanna	-99		
		G18 metropole blue	-99		
		B18 space grey	-99		
		A12 black	00-		
		C52 graphite grey	00-		
		S32 savanna	00-		
		G12 metropole blue	00-		
		B52 space grey	00		
		J32 nephrite green	01-		
1	996 555 081 03	lining leather		1	
		A11 black			
		C51 graphite grey			
		S31 savanna			
		G11 metropole blue			
		J31 nephrite green			
		M31 boxster red			
		B51 space grey	-00		
		P12 cinnamon brown	01-		
		D12 dark grey	00-		
		T12 brown/natural	00-		
2	999 507 687 05	fixing clip		5	
3	999 651 307 02	cable clamp 18,0		3	

Model	Year	MG	SG	Illustration	Restrictions	Update	12:46	23.08.2006	PORSCHE	PET	PORSCHE
996	05	8	07	807-05		203					

Pos	Part Number	Name	Remarks	Qty	Model	Pos	Part Number	Name	Remarks	Qty	Model
(4)	996 555 187 02	lining upper leatherette	/L	1			C51	graphite grey			
	A18	black	-99				S31	savanna			
	C18	graphite grey	-99				G11	metropole blue			
	S18	savanna	-99				J31	nephrite green			
	G18	metropole blue	-99				M31	boxster red			
	B18	space grey	-99				B51	space grey	-00		
	A12	black	00-				P12	cinnamon brown	01-		
	C52	graphite grey	00-				D12	dark grey	00-		
	S32	savanna	00-				T12	brown/natural	00-		
	G12	metropole blue	00-			4	996 555 188 03	lining upper leather	/R	1	
	B52	space grey	00				A11	black			
	J32	nephrite green	01-				C51	graphite grey			
4	996 555 188 02	lining upper leatherette	/R	1			S31	savanna			
	A18	black	-99				G11	metropole blue			
	C18	graphite grey	-99				J31	nephrite green			
	S18	savanna	-99				M31	boxster red			
	G18	metropole blue	-99				B51	space grey	-00		
	B18	space grey	-99				P12	cinnamon brown	01-		
	A12	black	00-				D12	dark grey	00-		
	C52	graphite grey	00-				T12	brown/natural	00-		
	S32	savanna	00-			-	999 551 609 40	plastic washer 8, 0 X 23 X 3,0		16	
	G12	metropole blue	00-			5	999 507 676 09	clamp 2,7/2,20		2	
	B52	space grey	00			5	999 507 479 09	clamp 2,5/0,9		4	
	J32	nephrite green	01-			(6)	996 555 545 01	rose lacquered	/L	1	
(4)	996 555 187 03	lining upper leather	/L	1			D05	granite grey	-99		
	A11	black					A03	black	00-		

Model	Year	MG	SG	Illustration	Restrictions	Update	12:46	23.08.2006	PORSCHE	PET	PORSCHE
996	05	8	07	807-05		203					

Pos	Part Number	Name	Remarks	Qty	Model	Pos	Part Number	Name	Remarks	Qty	Model
	C53	graphite grey	00-			11	900 151 006 09	washer		2	
	S33	savanna	00-			(11)	999 025 268 09	washer 6,4	00-	2	
	G13	metropole blue	00-			12	999 919 164 09	oval-head screw 5,0 X 12,0	-99	2	
	B13	space grey	00			(12)	999 073 060 02	tapping screw 4,8 X 13	00-	2	
	J33	nephrite green	00-			(13)	996 555 183 02	lining b-pillar leatherette	/L -99	1	
6	M33	boxster red									
	996 555 546 01	rose lacquered	/R	1							
	D05	granite grey	-99				A18	black			
	A03	black	00-				C18	graphite grey			
	C53	graphite grey	00-				S18	savanna			
	S33	savanna	00-				G18	metropole blue			
	G13	metropole blue	00-				B18	space grey			
	B13	space grey	00			13	996 555 184 02	lining b-pillar leatherette	/R -99	1	
	J33	nephrite green	00-				A18	black			
	M33	boxster red					C18	graphite grey			
7	999 507 533 02	clamp		2			S18	savanna			
(8)	996 555 645 00	grille lacquered	/L	1			G18	metropole blue			
8	996 555 646 00	grille lacquered	/R	1			B18	space grey			
	D05	granite grey				(13)	996 555 183 04	lining b-pillar leatherette	/L 00-	1	
(9)	996 555 821 01	bracket coat hook	/L -99	1			A12	black			
9	996 555 822 01	bracket coat hook	/R -99	1			C52	graphite grey			
(9)	996 555 821 02	bracket coat hook	/L 00-	1			S32	savanna			
(9)	996 555 822 02	bracket coat hook	/R 00-	1			G12	metropole blue			
10	999 500 069 02	nut	-01	2			B52	space grey	00		
(10)	999 507 695 02	speed nut 4,2		2		(13)	996 555 184 04	lining b-pillar leatherette	/R 00-	1	
							J32	nephrite green	01-		



Model	Year	MG	SG	Illustration	Restrictions	Update	12:46	23.08.2006	PORSCHE	PET	PORSCHE
996	05	8	07	807-05		203					

Pos	Part Number	Name	Remarks	Qty	Model	Pos	Part Number	Name	Remarks	Qty	Model
	A12	black					G11	metropole blue			
	C52	graphite grey					B51	space grey	-00		
	S32	savanna					J31	nephrite green			
	G12	metropole blue					M31	boxster red			
	B52	space grey	00				P12	cinnamon brown	01-		
	J32	nephrite green	01-				D12	dark grey	00-		
(13)	996 555 183 03	lining b-pillar leather	/L -99	1		(13)	996 555 184 05	lining b-pillar leather	/R 00-	1	
	A11	black					A11	black			
	C51	graphite grey					C51	graphite grey			
	S31	savanna					S31	savanna			
	G11	metropole blue					G11	metropole blue			
	B51	space grey	-00				B51	space grey	-00		
	J31	nephrite green					J31	nephrite green			
	M31	boxster red					M31	boxster red			
13	996 555 184 03	lining b-pillar leather	/R -99	1			P12	cinnamon brown	01-		
	A11	black					D12	dark grey	00-		
	C51	graphite grey					T12	brown/natural	00-		
	S31	savanna				--	996 555 859 00	grommet b-pillar	00-	2	
	G11	metropole blue				14	999 073 130 02	oval-head screw M 6 X 16		1	
	B51	space grey	-00			(15)	996 555 071 08	side trim panel leatherette	/L 98	1	
	J31	nephrite green					DEO	black	-99		
	M31	boxster red					DEQ	graphite grey	-99		
(13)	996 555 183 05	lining b-pillar leather	/L 00-	1			DET	savanna	-99		
	A11	black					DFE	metropole blue	-99		
	C51	graphite grey					DFK	space grey	-99		
	S31	savanna									

Model	Year	MG	SG	Illustration	Restrictions	Update	12:46	23.08.2006	PORSCHE	PET	PORSCHE
996	05	8	07	807-05		203					

Pos	Part Number	Name	Remarks	Qty	Model	Pos	Part Number	Name	Remarks	Qty	Model
15	996 555 072 08	side trim panel leatherette	/R 98	1			EVR	space grey	00		
	DEO	black	-99				FDH	nephrite green	01-		
	DEQ	graphite grey	-99			(15)	996 555 071 11	side trim panel leather	/L	1	
	DET	savanna	-99				DFO	black	-99		
	DFE	metropole blue	-99				DFY	space grey	-00		
	DFK	space grey	-99			15	996 555 072 11	side trim panel leather	/R	1	
(15)	996 555 071 10	side trim panel leatherette	/L 99-	1			DFO	black	-99		
	DEO	black	-99				DFY	space grey	-00		
	DEQ	graphite grey	-99			(15)	996 555 071 11	side trim panel leather	/L	1	
	DET	savanna	-99				EVS	black			
	DFE	metropole blue	-99				DFV	graphite grey			
	DFK	space grey	-99				DFW	savanna			
	EVN	black	00-				DFX	metropole blue			
	EVO	graphite grey	00-				DFZ	nephrite green			
	EVP	savanna	00-				DGA	boxster red			
	EVQ	metropole blue	00-				FEK	cinnamon brown			
	EVR	space grey	00				VRT	dark grey/natural			
	FDH	nephrite green	01-				VRU	brown/natural			
15	996 555 072 10	side trim panel leatherette	/R 99-	1		15	996 555 072 11	side trim panel leather	/R	-02	1
	DEO	black	-99				EVS	black			
	DEQ	graphite grey	-99				DFV	graphite grey			
	DET	savanna	-99				DFW	savanna			
	DFE	metropole blue	-99				DFX	metropole blue			
	DFK	space grey	-99				DFZ	nephrite green			
	EVN	black	00-				DGA	boxster red			
	EVO	graphite grey	00-				FEK	cinnamon brown			
	EVP	savanna	00-				VRT	dark grey/natural			
	EVQ	metropole blue	00-								

Model	Year	MG	SG	Illustration	Restrictions	Update	12:46	23.08.2006	PORSCHE	PET	PORSCHE
996	05	8	07	807-05		203					

Pos	Part Number	Name	Remarks	Qty	Model	Pos	Part Number	Name	Remarks	Qty	Model
(15)	996 555 071 16	VRU brown/natural side trim panel leather	/L 03-	1		(16)	996 555 061 00	rose seat belt lacquered	/L 00-	1	
		EVS black					A03	black			
		DFV graphite grey					C53	graphite grey			
		DFW savanna					S33	savanna			
		DFX metropole blue					G13	metropole blue			
		DFZ nephrite green					B13	space grey	00		
		DGA boxer red					J33	nephrite green			
		FEK cinnamon brown					M33	boxster red			
		VRT dark grey/natural					P13	cinnamon brown	01-		
15	996 555 072 16	VRU brown/natural side trim panel leather	/R 03-	1		16	996 555 062 00	rose seat belt lacquered	/R 00-	1	
		EVS black					A03	black			
		DFV graphite grey					C53	graphite grey			
		DFW savanna					S33	savanna			
		DFX metropole blue					G13	metropole blue			
		DFZ nephrite green					B13	space grey	00		
		DGA boxer red					J33	nephrite green			
		FEK cinnamon brown					M33	boxster red			
		VRT dark grey/natural					P13	cinnamon brown	01-		
--	999 551 609 40	VRU brown/natural plastic washer 8,0 X 23 X 3,0		6		19	999 073 079 02	tapping screw 4,2 X 19		2	
(16)	996 555 061 00	rose seat belt lacquered	/L -99	1		(20)	996 555 571 01	coat hook lacquered	/L -99	1	
		D05 granite grey					D05	granite grey			
16	996 555 062 00	rose seat belt lacquered	/R -99	1		20	996 555 572 01	coat hook lacquered	/R -99	1	
		D05 granite grey					D05	granite grey			
						(20)	996 555 571 02	coat hook lacquered	/L 00-	1	

Model	Year	MG	SG	Illustration	Restrictions	Update	12:46	23.08.2006	PORSCHE	PET	PORSCHE
996	05	8	07	807-05		203					

Pos	Part Number	Name	Remarks	Qty	Model	Pos	Part Number	Name	Remarks	Qty	Model
	A03	black					J30	nephrite green			
	C53	graphite grey					M30	boxster red			
	S33	savanna					D11	dark grey	00-		
	G13	metropole blue					T11	brown/natural	00-		
	B13	space grey	00			24	996 551 021 09	adhesive carpet seat well carpet	01	1	
	J33	nephrite green					A10	black			
	M33	boxster red					C50	graphite grey			
	P13	cinnamon brown	01-				S30	savanna			
(20)	996 555 572 02	coat hook lacquered	/R 00-	1			G10	metropole blue			
	A03	black					J30	nephrite green			
	C53	graphite grey					M30	boxster red			
	S33	savanna					P11	cinnamon brown	01-		
	G13	metropole blue					D11	dark grey	00-		
	B13	space grey	00				T11	brown/natural	00-		
	J33	nephrite green				(24)	996 551 021 05	adhesive carpet seat well carpet	02-	1	
	M33	boxster red					A10	black			
	P13	cinnamon brown	01-				C50	graphite grey			
21	999 507 050 40	expander nut 4,2		2			S30	savanna			
22	999 591 116 07	cone washer 4,5		2			G10	metropole blue			
23	900 144 182 09	tapping screw 4,2 X 32		2			J30	nephrite green			
24	996 551 021 00	adhesive carpet seat well carpet	-00	1			M30	boxster red			
	A10	black					P11	cinnamon brown	01-		
	C50	graphite grey					D11	dark grey	00-		
	S30	savanna					T11	brown/natural	00-		
	G10	metropole blue				25	996 551 031 00	adhesive carpet	-99	1	
	B50	space grey	-00				A10	black			
							C50	graphite grey			

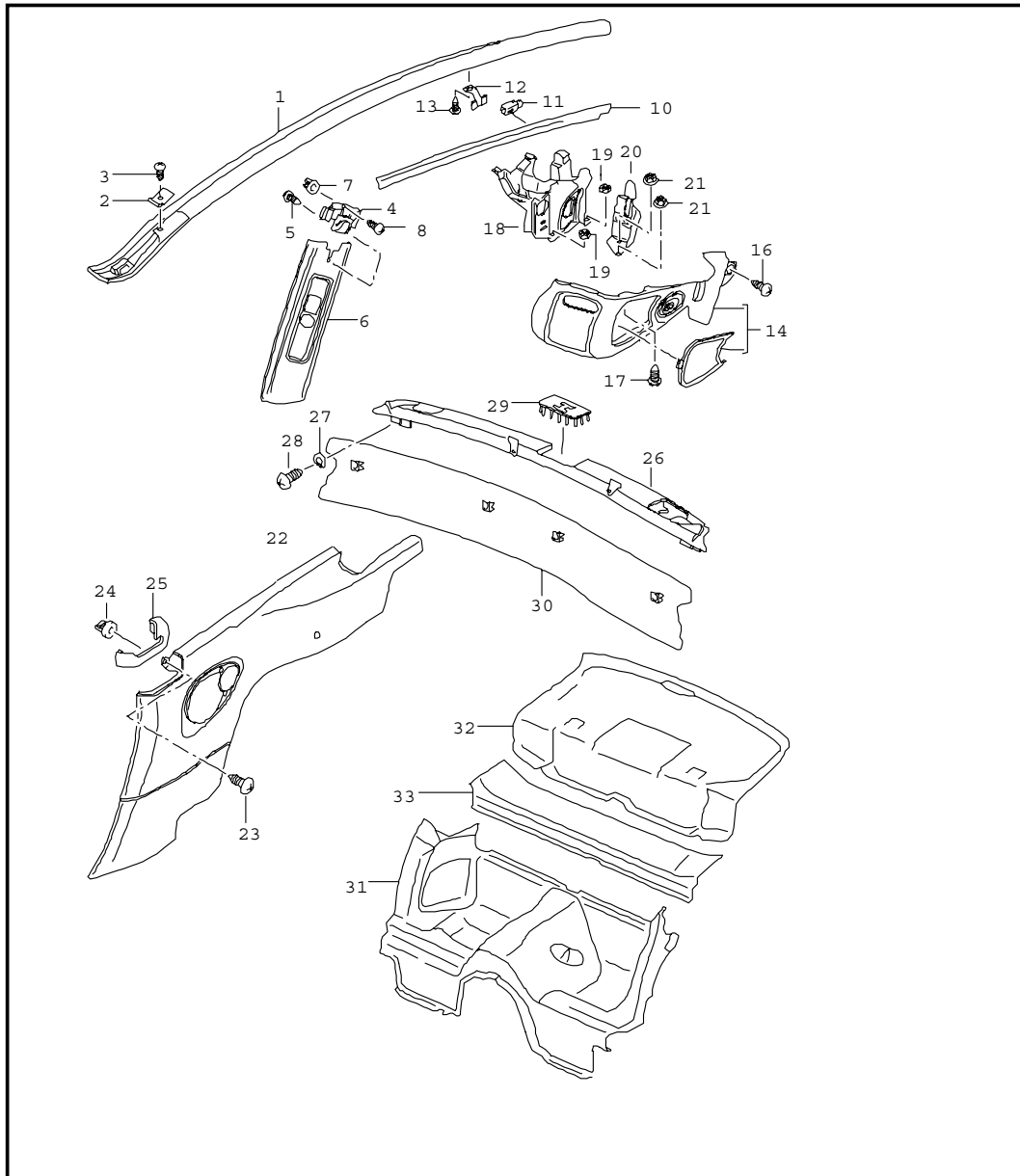
Model	Year	MG	SG	Illustration	Restrictions	Update	12:46	23.08.2006	PORSCHE	PET	PORSCHE
996	05	8	07	807-05		203					

Pos	Part Number	Name	Remarks	Qty	Model	Pos	Part Number	Name	Remarks	Qty	Model
	S30	savanna					S30	savanna			
	G10	metropole blue					G10	metropole blue			
	B50	space grey	-00				J30	nephrite green			
	J30	nephrite green					M30	boxster red			
	M30	boxster red					P11	cinnamon brown	01-		
25	996 551 031 00	adhesive carpet	00-01	1			D11	dark grey	00-		
	A10	black					T11	brown/natural	00-		
	C50	graphite grey				(25)	996 551 031 14	adhesive carpet	02-	1	
	S30	savanna					A10	black			
	G10	metropole blue					C50	graphite grey			
	B50	space grey	-00				S30	savanna			
	J30	nephrite green					G10	metropole blue			
	M30	boxster red					J30	nephrite green			
	P11	cinnamon brown	01-				M30	boxster red			
	D11	dark grey	00-				P11	cinnamon brown	01-		
	T11	brown/natural	00-				D11	dark grey	00-		
(25)	996 551 031 01	adhesive carpet	-00	1	M 113/479		T11	brown/natural	00-		
	A10	black				(25)	996 551 031 06	adhesive carpet	02-	1	M 680
	C50	graphite grey					A10	black			
	S30	savanna					C50	graphite grey			
	G10	metropole blue					S30	savanna			
	B50	space grey	-00				G10	metropole blue			
	J30	nephrite green					J30	nephrite green			
	M30	boxster red					M30	boxster red			
	D11	dark grey	00-				P11	cinnamon brown	01-		
	T11	brown/natural	00-				D11	dark grey	00-		
(25)	996 551 031 01	adhesive carpet	01	1	M 479		T11	brown/natural	00-		
	A10	black				(25)	996 551 031 15	adhesive carpet	02-	1	M 479/484
	C50	graphite grey					A10	black			

Model	Year	MG	SG	Illustration	Restrictions	Update	12:46	23.08.2006	PORSCHE	PET	PORSCHE
996	05	8	07	807-05		203					

Pos	Part Number	Name	Remarks	Qty	Model	Pos	Part Number	Name	Remarks	Qty	Model
	C50	graphite grey					D11	dark grey/natural	00-		
	S30	savanna					T11	brown/natural	00-		
	G10	metropole blue					P11	cinnamon brown	01		
	J30	nephrite green				(26)	997 551 033 00	lining control units carpet	02-	1	
	M30	boxster red					A10	black			
	P11	cinnamon brown	01-				C50	graphite grey			
	D11	dark grey	00-				S30	savanna			
	T11	brown/natural	00-				J30	nephrite green	-03		
(25)	996 551 031 07	adhesive carpet	02-	1	M 479/484/ M 680		M30	boxster red			
	A10	black					G10	metropole blue			
	C50	graphite grey					P11	cinnamon brown			
	S30	savanna					D11	dark grey/natural			
	G10	metropole blue					T11	brown/natural			
	J30	nephrite green				(26)	997 551 033 01	lining control units carpet	02-	1	M680
	M30	boxster red					A10	black			
	P11	cinnamon brown	01-				C50	graphite grey			
	D11	dark grey	00-				S30	savanna			
	T11	brown/natural	00-				J30	nephrite green	-03		
--	996 551 551 00	cover child car seat mount	01-	2	M 113		M30	boxster red			
26	996 551 033 00	lining control units carpet	-01	1			G10	metropole blue			
	A10	black					P11	cinnamon brown			
	C50	graphite grey					D11	dark grey/natural			
	S30	savanna					T11	brown/natural			
	G10	metropole blue					- - - E N D - - -				
	B50	space grey	-00								
	J30	nephrite green									
	M30	boxster red									

Model	Year	MG	SG	Illustration	Restrictions	Update	12:50	23.08.2006	PORSCHE	PET	PORSCHE
996	05	8	07	807-06		203					



Pos	Part Number	Name	Remarks	Qty	Model
		linings rear	02-		TARGA
(1)	996 555 195 00	lining roof pillar leatherette A12 black C52 graphite grey S32 savanna G12 metropole blue J32 nephrite green	/L	1	
1	996 555 196 00	lining roof pillar leatherette A12 black C52 graphite grey S32 savanna G12 metropole blue J32 nephrite green	/R	1	
(1)	996 555 195 01	lining roof pillar leather A11 black C51 graphite grey S31 savanna G11 metropole blue J31 nephrite green M31 boxer red P12 cinnamon brown D12 dark grey T12 brown/natural	/L	1	
1	996 555 196 01	lining roof pillar leather A11 black	/R	1	

Model	Year	MG	SG	Illustration	Restrictions	Update	12:50	23.08.2006	PORSCHE	PET	PORSCHE
996	05	8	07	807-06		203					

Pos	Part Number	Name	Remarks	Qty	Model	Pos	Part Number	Name	Remarks	Qty	Model
	C51	graphite grey					A03	black			
	S31	savanna					C53	graphite grey			
	G11	metropole blue					S33	savanna			
	J31	nephrite green					G13	metropole blue			
	M31	boxster red					J33	nephrite green			
	P12	cinnamon brown					M33	boxster red			
	D12	dark grey					P13	cinnamon brown			
	T12	brown/natural				-	996 555 772 00	cover coat hook	/R	1	
-	996 555 887 00	pipng		2			A03	black			
(2)	996 555 879 00	cover	/L	1			C53	graphite grey			
	01C	satin black					S33	savanna			
2	996 555 880 00	cover	/R	1			G13	metropole blue			
	01C	satin black					J33	nephrite green			
3	999 073 218 09	tapping screw 4,2 X 16		2			M33	boxster red			
(4)	996 555 571 03	coat hook lacquered	/L	1			P13	cinnamon brown			
	A03	black				5	999 919 164 09	tapping screw 5,0 X 12		2	
	C53	graphite grey				(6)	996 555 183 06	lining b-pillar leatherette	/L	1	
	S33	savanna					A12	black			
	G13	metropole blue					C52	graphite grey			
	J33	nephrite green					S32	savanna	-04		
4	996 555 572 03	coat hook lacquered	/R	1			G12	metropole blue	-04		
	A03	black					J32	nephrite green	-03		
	C53	graphite grey					996 555 184 06	lining b-pillar leatherette	/R	1	
	S33	savanna					A12	black			
	G13	metropole blue					C52	graphite grey			
	J33	nephrite green					S32	savanna	-04		
-	996 555 771 00	cover coat hook	/L	1							



Model	Year	MG	SG	Illustration	Restrictions	Update	12:50	23.08.2006	PORSCHE	PET	PORSCHE
996	05	8	07	807-06		203					

Pos	Part Number	Name	Remarks	Qty	Model	Pos	Part Number	Name	Remarks	Qty	Model
	G12	metropole blue	-04				C52	graphite grey			
	J32	nephrite green	-03				S32	savanna			
(6)	996 555 183 07	lining b-pillar leather	/L	1			G12	metropole blue			
	A11	black				10	996 555 188 04	lining upper leatherette	/R	1	
	C51	graphite grey					A12	black			
	S31	savanna					C52	graphite grey			
	G11	metropole blue					S32	savanna			
	J31	nephrite green	-03				G12	metropole blue			
	M31	boxster red					J32	nephrite green			
	P12	cinnamon brown				(10)	996 555 187 05	lining upper leather	/L	1	
	D12	dark grey					A11	black			
6	996 555 184 07	lining b-pillar leather	/R	1			C51	graphite grey			
	A11	black					S31	savanna			
	C51	graphite grey					G11	metropole blue			
	S31	savanna					J31	nephrite green			
	G11	metropole blue					M31	boxster red			
	J31	nephrite green	-03				P12	cinnamon brown			
	M31	boxster red					D12	dark grey			
	P12	cinnamon brown					T12	brown/natural			
	D12	dark grey				10	996 555 188 05	lining upper leather	/R	1	
	T12	brown/natural					A11	black			
7	999 507 755 40	expander nut		2			C51	graphite grey			
8	999 073 064 02	oval-head screw 4,8 X 25		2			S31	savanna			
(10)	996 555 187 04	lining upper leatherette	/L	1			G11	metropole blue			
	A12	black					J31	nephrite green			

Model	Year	MG	SG	Illustration	Restrictions	Update	12:50	23.08.2006	PORSCHE	PET	PORSCHE
996	05	8	07	807-06		203					

Pos	Part Number	Name	Remarks	Qty	Model	Pos	Part Number	Name	Remarks	Qty	Model
	M31	boxster red					S33	savanna			
	P12	cinnamon brown					G13	metropole blue			
	D12	dark grey					J33	nephrite green	-03		
	T12	brown/natural					M33	boxster red			
11	996 555 581 00	mounting clip		10			P13	cinnamon brown			
12	996 555 875 00	clamp		4		14	996 555 246 01	cover seat belt lacquered	/R 05-	1	
13	999 073 218 09	tapping screw 4,2 X 16		4			A03	black			
(14)	996 555 245 00	cover seat belt lacquered	/L -04	1			C53	graphite grey			
	A03	black					S33	savanna			
	C53	graphite grey					G13	metropole blue			
	S33	savanna					M33	boxster red			
	G13	metropole blue				--	996 555 877 00	clamp		2	
	J33	nephrite green	-03			16	999 073 251 09	tapping screw 4,2 X 25		2	
	M33	boxster red				17	999 073 226 09	tapping screw 4,2 X 16		2	
(14)	996 555 245 01	cover seat belt lacquered	/L 05-	1		(18)	996 555 175 00	support	/L -02	1	
	A03	black				(18)	996 555 175 01	support	/L 03-	1	
	C53	graphite grey				18	996 555 176 00	support	/R -02	1	
	S33	savanna				18	996 555 176 01	support	/R 03-	1	
	G13	metropole blue				19	999 084 629 09	hexagon nut M 6		4	
	M33	boxster red				(20)	996 555 503 00	support	/L	1	
	P13	cinnamon brown				20	996 555 504 00	support	/R	1	
14	996 555 246 00	cover seat belt lacquered	/R -04	1		21	999 049 022 40	plastic nut		4	
	A03	black				(22)	996 555 071 14	side trim panel leatherette	/L	1	
	C53	graphite grey					EVN	black			
							EVO	graphite grey			

Model	Year	MG	SG	Illustration	Restrictions	Update	12:50	23.08.2006	PORSCHE	PET	PORSCHE
996	05	8	07	807-06		203					

Pos	Part Number	Name	Remarks	Qty	Model	Pos	Part Number	Name	Remarks	Qty	Model
		EVP savanna						VRU brown/natural			
		EVQ metropole blue				(22)	996 555 071 18	side trim panel leather	/L 03-	1	
		FDH nephrite green						EVS black			
22	996 555 072 14	side trim panel leatherette	/R	1				DFV graphite grey			
		EVN black						DFW savanna			
		EVO graphite grey						DFX metropole blue			
		EVP savanna						DFZ nephrite green			
		EVQ metropole blue						DGA boxster red			
		FDH nephrite green						FEK cinnamon brown			
(22)	996 555 071 15	side trim panel leather	/L 02	1				VRT dark grey/natural			
		EVS black						VRU brown/natural			
		DFV graphite grey				22	996 555 072 18	side trim panel leather	/R 03-	1	
		DFW savanna						EVS black			
		DFX metropole blue						DFV graphite grey			
		DFZ nephrite green						DFW savanna			
		DGA boxster red						DFX metropole blue			
		FEK cinnamon brown						DFZ nephrite green			
		VRT dark grey/natural						DGA boxster red			
		VRU brown/natural						FEK cinnamon brown			
22	996 555 072 15	side trim panel leather	/R 02	1				VRT dark grey/natural			
		EVS black						VRU brown/natural			
		DFV graphite grey				23	999 073 079 02	tapping screw 4,2 X 19		2	
		DFW savanna				24	999 507 050 40	expansion rivet		2	
		DFX metropole blue				(25)	996 555 061 00	rose seat belt lacquered	/L	1	
		DFZ nephrite green						A03 black			
		DGA boxster red						C53 graphite grey			
		FEK cinnamon brown						S33 savanna			
		VRT dark grey/natural									

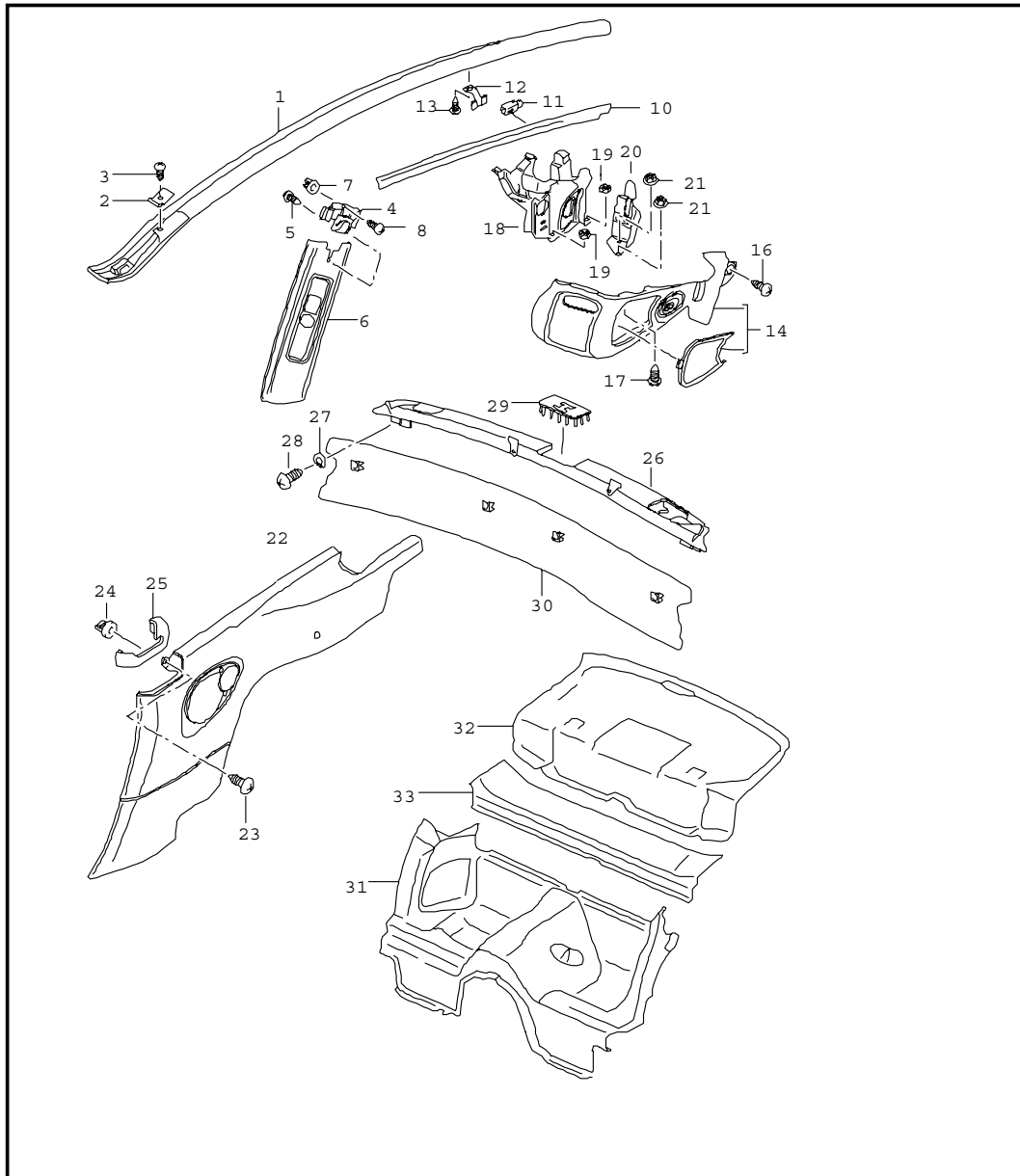
Model	Year	MG	SG	Illustration	Restrictions	Update	12:50	23.08.2006	PORSCHE	PET	PORSCHE
996	05	8	07	807-06		203					

Pos	Part Number	Name	Remarks	Qty	Model	Pos	Part Number	Name	Remarks	Qty	Model
	G13	metropole blue					M30	boxster red			
	J33	nephrite green					P11	cinnamon brown			
	M33	boxster red					D11	dark grey			
	P13	cinnamon brown					T11	brown/natural			
25	996 555 062 00	rose seat belt lacquered	/R	1		31	996 551 021 05	adhesive carpet seat well carpet		1	M 685/XSN
	A03	black					A10	black			
	C53	graphite grey					C50	graphite grey			
	S33	savanna					S30	savanna			
	G13	metropole blue					G10	metropole blue			
	J33	nephrite green					J30	nephrite green			
	M33	boxster red					M30	boxster red			
	P13	cinnamon brown					P11	cinnamon brown			
26	996 555 151 00	lining rear wall		1			D11	dark grey			
	A03	black					T11	brown/natural			
(26)	996 555 151 01	lining rear wall		1	M 425	32	996 551 031 02	adhesive carpet		1	
	A03	black					A10	black			
							C50	graphite grey			
27	999 507 782 01	spring washer 5,3 X 18		2			S30	savanna			
28	999 073 061 02	tapping screw		4			G10	metropole blue			
29	996 555 885 00	rose rear wall upper part		1			J30	nephrite green			
							M30	boxster red			
30	996 555 081 08	lining rear wall carpet		1			P11	cinnamon brown			
	A10	black				(32)	996 551 031 03	adhesive carpet		1	M 479/484
	C50	graphite grey					A10	black			
	S30	savanna					C50	graphite grey			
	G10	metropole blue					S30	savanna			
	J30	nephrite green									

Model	Year	MG	SG	Illustration	Restrictions	Update	12:50	23.08.2006	PORSCHE	PET	PORSCHE
996	05	8	07	807-06		203					

Pos	Part Number	Name	Remarks	Qty	Model	Pos	Part Number	Name	Remarks	Qty	Model
	G10	metropole blue									
	J30	nephrite green									
	M30	boxster red									
	P11	cinnamon brown									
	D11	dark grey									
	T11	brown/natural									
--	996 551 551 00	cover child car seat mount		2	M 113						
33	997 551 033 00	lining control units carpet		1							
	A10	black									
	C50	graphite grey									
	S30	savanna									
	G10	metropole blue									
	J30	nephrite green	-03								
	M30	boxster red									
	P11	cinnamon brown									
	D11	dark grey									
	T11	brown/natural									
		- - - E N D - - -									

Model	Year	MG	SG	Illustration	Restrictions	Update	12:50	23.08.2006	PORSCHE	PET	PORSCHE
996	05	8	07	807-06		203					



Pos	Part Number	Name	Remarks	Qty	Model
		linings rear	02-		TARGA
(1)	996 555 195 00	lining roof pillar leatherette	/L	1	
	A12	black			
	C52	graphite grey			
	S32	savanna			
	G12	metropole blue			
	J32	nephrite green			
1	996 555 196 00	lining roof pillar leatherette	/R	1	
	A12	black			
	C52	graphite grey			
	S32	savanna			
	G12	metropole blue			
	J32	nephrite green			
(1)	996 555 195 01	lining roof pillar leather	/L	1	
	A11	black			
	C51	graphite grey			
	S31	savanna			
	G11	metropole blue			
	J31	nephrite green			
	M31	boxster red			
	P12	cinnamon brown			
	D12	dark grey			
	T12	brown/natural			
1	996 555 196 01	lining roof pillar leather	/R	1	
	A11	black			

Model	Year	MG	SG	Illustration	Restrictions	Update	12:50	23.08.2006	PORSCHE	PET	PORSCHE
996	05	8	07	807-06		203					

Pos	Part Number	Name	Remarks	Qty	Model	Pos	Part Number	Name	Remarks	Qty	Model
	C51	graphite grey					A03	black			
	S31	savanna					C53	graphite grey			
	G11	metropole blue					S33	savanna			
	J31	nephrite green					G13	metropole blue			
	M31	boxster red					J33	nephrite green			
	P12	cinnamon brown					M33	boxster red			
	D12	dark grey					P13	cinnamon brown			
	T12	brown/natural				-	996 555 772 00	cover coat hook	/R	1	
-	996 555 887 00	pipng		2			A03	black			
(2)	996 555 879 00	cover	/L	1			C53	graphite grey			
	01C	satin black					S33	savanna			
2	996 555 880 00	cover	/R	1			G13	metropole blue			
	01C	satin black					J33	nephrite green			
3	999 073 218 09	tapping screw 4,2 X 16		2			M33	boxster red			
(4)	996 555 571 03	coat hook lacquered	/L	1			P13	cinnamon brown			
	A03	black				5	999 919 164 09	tapping screw 5,0 X 12		2	
	C53	graphite grey				(6)	996 555 183 06	lining b-pillar leatherette	/L	1	
	S33	savanna					A12	black			
	G13	metropole blue					C52	graphite grey			
	J33	nephrite green					S32	savanna	-04		
4	996 555 572 03	coat hook lacquered	/R	1			G12	metropole blue	-04		
	A03	black					J32	nephrite green	-03		
	C53	graphite grey					996 555 184 06	lining b-pillar leatherette	/R	1	
	S33	savanna					A12	black			
	G13	metropole blue					C52	graphite grey			
	J33	nephrite green					S32	savanna	-04		
-	996 555 771 00	cover coat hook	/L	1							

Model	Year	MG	SG	Illustration	Restrictions	Update	12:50	23.08.2006	PORSCHE	PET	PORSCHE
996	05	8	07	807-06		203					

Pos	Part Number	Name	Remarks	Qty	Model	Pos	Part Number	Name	Remarks	Qty	Model
	G12	metropole blue	-04				C52	graphite grey			
	J32	nephrite green	-03				S32	savanna			
(6)	996 555 183 07	lining b-pillar leather	/L	1			G12	metropole blue			
	A11	black				10	996 555 188 04	lining upper leatherette	/R	1	
	C51	graphite grey					A12	black			
	S31	savanna					C52	graphite grey			
	G11	metropole blue					S32	savanna			
	J31	nephrite green	-03				G12	metropole blue			
	M31	boxster red					J32	nephrite green			
	P12	cinnamon brown				(10)	996 555 187 05	lining upper leather	/L	1	
	D12	dark grey					A11	black			
6	996 555 184 07	lining b-pillar leather	/R	1			C51	graphite grey			
	A11	black					S31	savanna			
	C51	graphite grey					G11	metropole blue			
	S31	savanna					J31	nephrite green			
	G11	metropole blue					M31	boxster red			
	J31	nephrite green	-03				P12	cinnamon brown			
	M31	boxster red					D12	dark grey			
	P12	cinnamon brown					T12	brown/natural			
	D12	dark grey				10	996 555 188 05	lining upper leather	/R	1	
	T12	brown/natural					A11	black			
7	999 507 755 40	expander nut		2			C51	graphite grey			
8	999 073 064 02	oval-head screw 4,8 X 25		2			S31	savanna			
(10)	996 555 187 04	lining upper leatherette	/L	1			G11	metropole blue			
	A12	black					J31	nephrite green			



Model	Year	MG	SG	Illustration	Restrictions	Update	12:50	23.08.2006	PORSCHE	PET	PORSCHE
996	05	8	07	807-06		203					

Pos	Part Number	Name	Remarks	Qty	Model	Pos	Part Number	Name	Remarks	Qty	Model
	M31	boxster red					S33	savanna			
	P12	cinnamon brown					G13	metropole blue			
	D12	dark grey					J33	nephrite green	-03		
	T12	brown/natural					M33	boxster red			
11	996 555 581 00	mounting clip		10			P13	cinnamon brown			
12	996 555 875 00	clamp		4		14	996 555 246 01	cover seat belt lacquered	/R 05-	1	
13	999 073 218 09	tapping screw 4,2 X 16		4			A03	black			
(14)	996 555 245 00	cover seat belt lacquered	/L -04	1			C53	graphite grey			
	A03	black					S33	savanna			
	C53	graphite grey					G13	metropole blue			
	S33	savanna					M33	boxster red			
	G13	metropole blue				--	996 555 877 00	clamp		2	
	J33	nephrite green	-03			16	999 073 251 09	tapping screw 4,2 X 25		2	
	M33	boxster red				17	999 073 226 09	tapping screw 4,2 X 16		2	
(14)	996 555 245 01	cover seat belt lacquered	/L 05-	1		(18)	996 555 175 00	support	/L -02	1	
	A03	black				(18)	996 555 175 01	support	/L 03-	1	
	C53	graphite grey				18	996 555 176 00	support	/R -02	1	
	S33	savanna				18	996 555 176 01	support	/R 03-	1	
	G13	metropole blue				19	999 084 629 09	hexagon nut M 6		4	
	M33	boxster red				(20)	996 555 503 00	support	/L	1	
	P13	cinnamon brown				20	996 555 504 00	support	/R	1	
14	996 555 246 00	cover seat belt lacquered	/R -04	1		21	999 049 022 40	plastic nut		4	
	A03	black				(22)	996 555 071 14	side trim panel leatherette	/L	1	
	C53	graphite grey					EVN	black			
							EVO	graphite grey			

Model	Year	MG	SG	Illustration	Restrictions	Update	12:50	23.08.2006	PORSCHE	PET	PORSCHE
996	05	8	07	807-06		203					

Pos	Part Number	Name	Remarks	Qty	Model	Pos	Part Number	Name	Remarks	Qty	Model
		EVP savanna						VRU brown/natural			
		EVQ metropole blue				(22)	996 555 071 18	side trim panel leather	/L 03-	1	
		FDH nephrite green						EVS black			
22	996 555 072 14	side trim panel leatherette	/R	1				DFV graphite grey			
		EVN black						DFW savanna			
		EVO graphite grey						DFX metropole blue			
		EVP savanna						DFZ nephrite green			
		EVQ metropole blue						DGA boxster red			
		FDH nephrite green						FEK cinnamon brown			
(22)	996 555 071 15	side trim panel leather	/L 02	1				VRT dark grey/natural			
		EVS black						VRU brown/natural			
		DFV graphite grey				22	996 555 072 18	side trim panel leather	/R 03-	1	
		DFW savanna						EVS black			
		DFX metropole blue						DFV graphite grey			
		DFZ nephrite green						DFW savanna			
		DGA boxster red						DFX metropole blue			
		FEK cinnamon brown						DFZ nephrite green			
		VRT dark grey/natural						DGA boxster red			
		VRU brown/natural						FEK cinnamon brown			
22	996 555 072 15	side trim panel leather	/R 02	1				VRT dark grey/natural			
		EVS black						VRU brown/natural			
		DFV graphite grey				23	999 073 079 02	tapping screw 4,2 X 19		2	
		DFW savanna				24	999 507 050 40	expansion rivet		2	
		DFX metropole blue				(25)	996 555 061 00	rose seat belt lacquered	/L	1	
		DFZ nephrite green						A03 black			
		DGA boxster red						C53 graphite grey			
		FEK cinnamon brown						S33 savanna			
		VRT dark grey/natural									

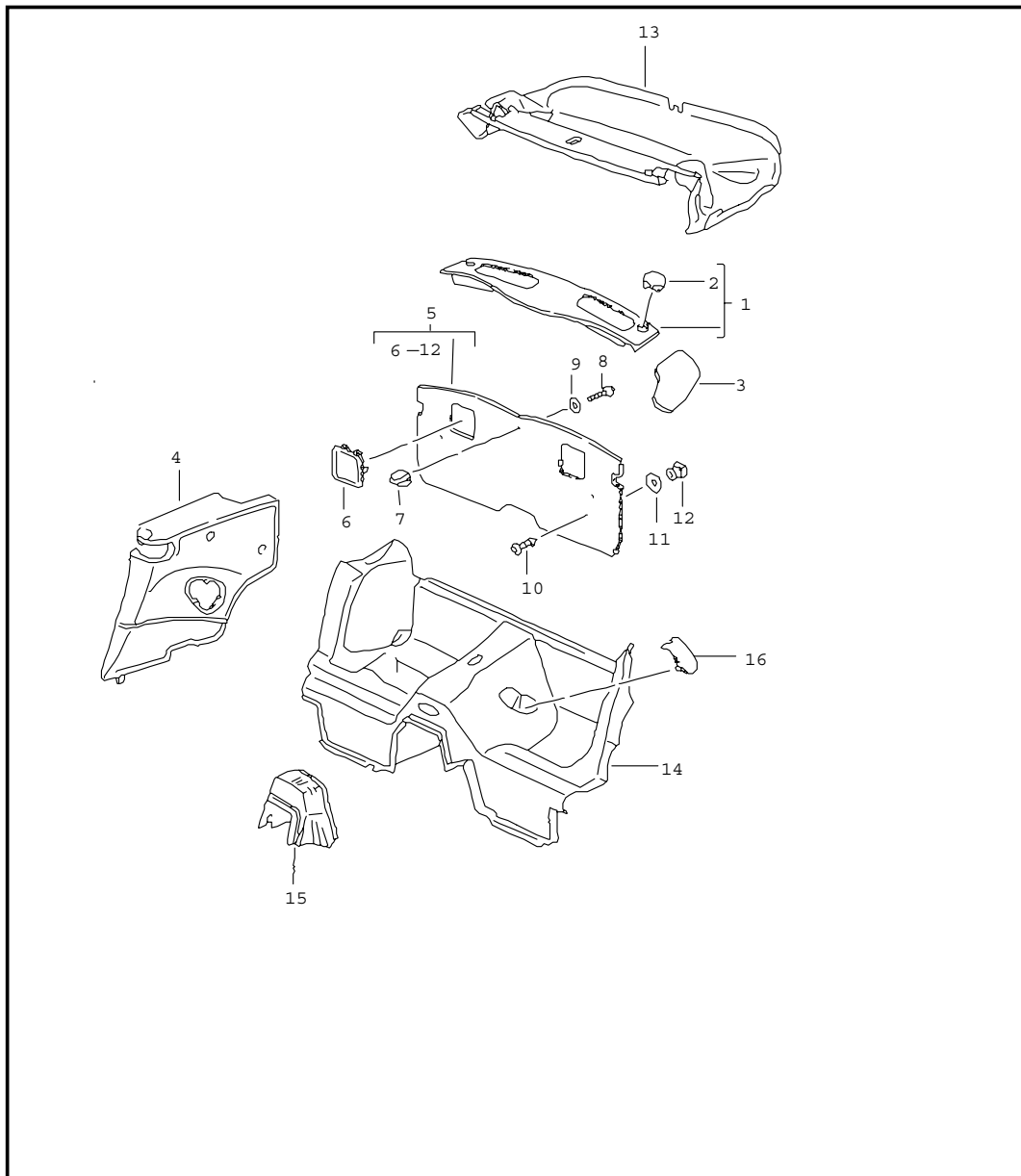
Model	Year	MG	SG	Illustration	Restrictions	Update	12:50	23.08.2006	PORSCHE	PET	PORSCHE
996	05	8	07	807-06		203					

Pos	Part Number	Name	Remarks	Qty	Model	Pos	Part Number	Name	Remarks	Qty	Model
	G13	metropole blue					M30	boxster red			
	J33	nephrite green					P11	cinnamon brown			
	M33	boxster red					D11	dark grey			
	P13	cinnamon brown					T11	brown/natural			
25	996 555 062 00	rose seat belt lacquered	/R	1		31	996 551 021 05	adhesive carpet seat well carpet		1	M 685/XSN
	A03	black					A10	black			
	C53	graphite grey					C50	graphite grey			
	S33	savanna					S30	savanna			
	G13	metropole blue					G10	metropole blue			
	J33	nephrite green					J30	nephrite green			
	M33	boxster red					M30	boxster red			
	P13	cinnamon brown					P11	cinnamon brown			
26	996 555 151 00	lining rear wall		1			D11	dark grey			
	A03	black					T11	brown/natural			
(26)	996 555 151 01	lining rear wall		1	M 425	32	996 551 031 02	adhesive carpet		1	
	A03	black					A10	black			
							C50	graphite grey			
27	999 507 782 01	spring washer 5,3 X 18		2			S30	savanna			
28	999 073 061 02	tapping screw		4			G10	metropole blue			
29	996 555 885 00	rose rear wall upper part		1			J30	nephrite green			
							M30	boxster red			
30	996 555 081 08	lining rear wall carpet		1			P11	cinnamon brown			
	A10	black				(32)	996 551 031 03	adhesive carpet		1	M 479/484
	C50	graphite grey					A10	black			
	S30	savanna					C50	graphite grey			
	G10	metropole blue					S30	savanna			
	J30	nephrite green									

Model	Year	MG	SG	Illustration	Restrictions	Update	12:50	23.08.2006	PORSCHE	PET	PORSCHE
996	05	8	07	807-06		203					

Pos	Part Number	Name	Remarks	Qty	Model	Pos	Part Number	Name	Remarks	Qty	Model
	G10	metropole blue									
	J30	nephrite green									
	M30	boxster red									
	P11	cinnamon brown									
	D11	dark grey									
	T11	brown/natural									
--	996 551 551 00	cover child car seat mount		2	M 113						
33	997 551 033 00	lining control units carpet		1							
	A10	black									
	C50	graphite grey									
	S30	savanna									
	G10	metropole blue									
	J30	nephrite green	-03								
	M30	boxster red									
	P11	cinnamon brown									
	D11	dark grey									
	T11	brown/natural									
		- - - E N D - - -									

Model	Year	MG	SG	Illustration	Restrictions	Update	12:51	23.08.2006	PORSCHE	PET	PORSCHE
996	05	8	07	807-07		203					



Pos	Part Number	Name	Remarks	Qty	Model
1	996 555 083 02	linings rear cover convertible top cloth EDK black EDM metropole blue EDL graphite grey	-99	1	CABRIO
1	996 555 083 03	cover F >>99YS6 42288 F >>99YS6 52803 convertible top cloth EDK black EDL graphite grey ERN metropole blue EDN space grey	00	1	
1	996 555 083 04	cover F 99YS6 42289>> F 99YS6 52804>> convertible top cloth EDK black EDL graphite grey ERN metropole blue	00-	1	
-	996 555 341 01	flap cover A07 black C07 graphite grey G03 metropole blue	/L	1	
-	996 555 342 01	flap cover A07 black C07 graphite grey G03 metropole blue	/R	1	

Model	Year	MG	SG	Illustration	Restrictions	Update	12:51	23.08.2006	PORSCHE	PET	PORSCHE
996	05	8	07	807-07		203					

Pos	Part Number	Name	Remarks	Qty	Model	Pos	Part Number	Name	Remarks	Qty	Model
--	996 555 355 00	hinge outer		2		3	996 555 264 03	flap cloth convertible top	/R 00-	1	
--	996 555 356 00	hinge inner		2			A07	black			
--	996 580 667 00	support		2			C07	graphite grey			
--	999 591 489 02	speed nut 4,8		2			G03	metropole blue	00-		
--	999 073 060 02	tapping screw 4,8 X 13		3			B07	space grey	-00		
2	996 555 457 00	cover lacquered		2		(4)	996 555 071 12	side trim panel leatherette	/L -99	1	
	A10	black					DEO	black			
	C50	graphite grey					DEQ	graphite grey			
	G10	metropole blue					DET	savanna			
	B50	space grey	-00				DFE	metropole blue			
							DFK	space grey			
(3)	996 555 263 02	flap convertible top	/L -99	1		4	996 555 072 12	side trim panel leatherette	/R -99	1	
	A07	black					DEO	black			
	C07	graphite grey					DEQ	graphite grey			
	G07	metropole blue	-99				DET	savanna			
	B07	space grey	-00				DFE	metropole blue			
							DFK	space grey			
3	996 555 264 02	flap convertible top	/R -99	1		(4)	996 555 071 12	side trim panel leatherette	/L 00-	1	
	A07	black					EVN	black			
	C07	graphite grey					EVO	graphite grey			
	G07	metropole blue	-99				EVP	savanna			
	B07	space grey	-00				EVQ	metropole blue			
							EVR	space grey	00		
(3)	996 555 263 03	flap convertible top	/L 00-	1			FDH	nephrite green	01-		
	A07	black									
	C07	graphite grey									
	G03	metropole blue	00-			4	996 555 072 12	side trim panel leatherette	/R 00-	1	
	B07	space grey	-00				EVN	black			

Model	Year	MG	SG	Illustration	Restrictions	Update	12:51	23.08.2006	PORSCHE	PET	PORSCHE
996	05	8	07	807-07		203					

Pos	Part Number	Name	Remarks	Qty	Model	Pos	Part Number	Name	Remarks	Qty	Model
	EVO	graphite grey					FEK	cinnamon brown			
	EVP	savanna					VRT	dark grey/natural			
	EVQ	metropole blue					VRU	brown/natural			
	EVR	space grey	00			(4)	996 555 071 17	side trim panel	/L 03-	1	
	FDH	nephrite green	01-				EVS	black			
(4)	996 555 071 13	side trim panel leather	/L	1			DFV	graphite grey			
	DFO	black	-99				DFW	savanna			
	DFY	space grey	-00				DFX	metropole blue			
4	996 555 072 13	side trim panel leather	/R	1			DFZ	nephrite green			
	DFO	black	-99				DGA	boxster red			
	DFY	space grey	-00				FEK	cinnamon brown			
(4)	996 555 071 13	side trim panel	/L -02	1			VRT	dark grey/natural			
	EVS	black				4	996 555 072 17	side trim panel	/R 03-	1	
	DFV	graphite grey					EVS	black			
	DFW	savanna					DFV	graphite grey			
	DFX	metropole blue					DFW	savanna			
	DFZ	nephrite green					DFX	metropole blue			
	DGA	boxster red					DFZ	nephrite green			
	FEK	cinnamon brown					DGA	boxster red			
	VRT	dark grey/natural					FEK	cinnamon brown			
	VRU	brown/natural					VRT	dark grey/natural			
4	996 555 072 13	side trim panel	/R -02	1			VRU	brown/natural			
	EVS	black				--	999 551 609 40	plastic washer 8,0 X 23 X 3,0		2	
	DFV	graphite grey				--	999 507 676 09	clamp 2,5/2,2		2	
	DFW	savanna				--	999 507 050 40	expansion rivet		2	
	DFX	metropole blue				--	999 073 142 09	oval-head screw 4,2 X 19		2	
	DFZ	nephrite green									
	DGA	boxster red									

Model	Year	MG	SG	Illustration	Restrictions	Update	12:51	23.08.2006	PORSCHE	PET	PORSCHE
996	05	8	07	807-07		203					

Pos	Part Number	Name	Remarks	Qty	Model	Pos	Part Number	Name	Remarks	Qty	Model
--	999 073 048 02	tapping screw 3,5 X 13		2			G10	metropole blue			
--	996 555 671 01	rose seat belt lacquered	/L	1			B50	space grey	-00		
	D05	granite grey	-99				J30	nephrite green			
	A03	black	00-				M30	boxster red			
	C53	graphite grey	00-				P11	cinnamon brown	01-		
	S33	savanna	00-				D11	dark grey	00-		
	G13	metropole blue	00-				T11	brown/natural	00-		
	B13	space grey	00			5	996 555 281 07	back wall lining carpet		1	M 479
	J33	nephrite green	00-				A10	black			
	M33	boxster red	00-				C50	graphite grey			
	P13	cinnamon brown	01-				S30	savanna			
--	996 555 672 01	rose seat belt lacquered	/R	1			G10	metropole blue			
	D05	granite grey	-99				B50	space grey	-00		
	A03	black	00-				J30	nephrite green			
	C53	graphite grey	00-				M30	boxster red			
	S33	savanna	00-				P11	cinnamon brown	01-		
	G13	metropole blue	00-				D11	dark grey	00-		
	B13	space grey	00				T11	brown/natural	00-		
	J33	nephrite green	00-			6	996 555 785 00	cover release carpet		1	M 479
	M33	boxster red	00-				EDA	black			
	P13	cinnamon brown	01-				EDB	graphite grey			
--	999 507 533 02	clamp		4			EDC	savanna			
(5)	996 555 281 06	back wall lining carpet		1			EDD	metropole blue			
	A10	black					EDE	space grey	-00		
	C50	graphite grey					EDF	nephrite green			
	S30	savanna					EDG	boxster red			
							FDJ	cinnamon brown	01-		
							VSM	dark grey	00-		



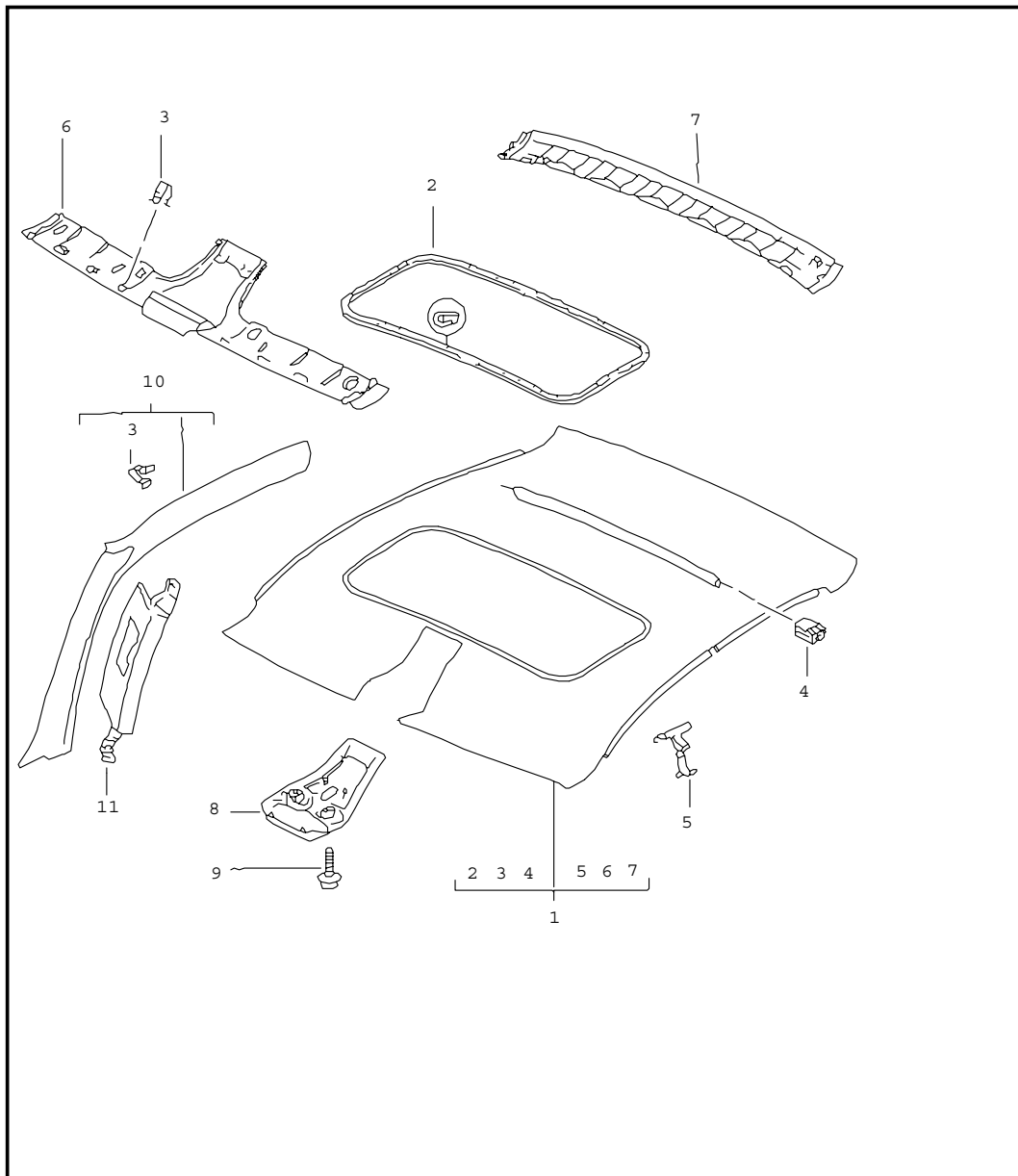
Model	Year	MG	SG	Illustration	Restrictions	Update	12:51	23.08.2006	PORSCHE	PET	PORSCHE
996	05	8	07	807-07		203					

Pos	Part Number	Name	Remarks	Qty	Model	Pos	Part Number	Name	Remarks	Qty	Model
	VSN	brown/natural	00-			14	996 551 021 03	lining seat well carpet	00	1	
7	996 555 789 00	base wind deflector		1			A10	black			
	01C	satin black					C50	graphite grey			
10	W 999 507 381 40	catch 13,5		4			S30	savanna			
(10)	999 073 062 02	tapping screw 4,8 X 19		2			G10	metropole blue			
11	W 999 591 483 40	washer 20,3 X 1,5		4			B50	space grey	-00		
13	996 551 035 01	lining convertible top frame carpet 14.10.98		1			J30	nephrite green			
	B04	dark grey					M30	boxster red			
(13)	996 551 035 03	lining convertible top frame carpet 15.10.98	-01	1		14	996 551 021 10	lining seat well carpet	00- 00- 01	1	
	B04	dark grey					A10	black			
(13)	996 551 035 04	lining convertible top frame carpet	02-	1			C50	graphite grey			
	B04	dark grey					S30	savanna			
--	999 703 432 40	plug 8,2 X 18		6			G10	metropole blue			
14	996 551 021 01	lining seat well carpet	-99	1			J30	nephrite green			
	A10	black					M30	boxster red			
	C50	graphite grey					P11	cinnamon brown	01-		
	S30	savanna					D11	dark grey	00-		
	G10	metropole blue					T11	brown/natural	00-		
	B50	space grey	-00			(14)	996 551 021 07	lining seat well carpet	02-	1	
	J30	nephrite green					A10	black			
	M30	boxster red					C50	graphite grey			
							S30	savanna			
							G10	metropole blue			
							J30	nephrite green			

Model	Year	MG	SG	Illustration	Restrictions	Update	12:51	23.08.2006	PORSCHE	PET	PORSCHE
996	05	8	07	807-07		203					

Pos	Part Number	Name	Remarks	Qty	Model	Pos	Part Number	Name	Remarks	Qty	Model
	M30	boxster red									
	P11	cinnamon brown	01-								
	D11	dark grey	00-								
	T11	brown/natural	00-								
15	996 551 221 01	cover sensor		1							
16	996 551 525 00	cover seat-belt buckle	/L	1							
	01C	satin black									
(16)	996 551 526 00	cover seat-belt buckle	/R	1							
	01C	satin black									
		- - - E N D - - -									

Model	Year	MG	SG	Illustration	Restrictions	Update	12:51	23.08.2006	PORSCHE	PET	PORSCHE
996	05	8	07	807-08		203					



Pos	Part Number	Name	Remarks	Qty	Model
(1)	996 555 091 00	rooflining a-pillar			COUPE COUPE/TARGA
		rooflining leatherette	-99	1	COUPE
		A10 black			
		C50 graphite grey			
		S30 savanna			
		G10 metropole blue			
		B50 space grey			
1	996 555 091 01	rooflining leatherette	-99	1	COUPE:M 650
		A10 black			
		C50 graphite grey			
		S30 savanna			
		G10 metropole blue			
		B50 space grey			
(1)	996 555 091 02	rooflining alcantara	00	1	COUPE
		A14 black			
		C54 graphite grey			
		S34 savanna			
		G14 metropole blue			
1	996 555 091 03	rooflining alcantara	00	1	COUPE:M 650
		A14 black			
		C54 graphite grey			
		S34 savanna			
		G14 metropole blue			
(1)	996 555 091 04	rooflining alcantara	01	1	COUPE
		A14 black			
		C54 graphite grey			

Model	Year	MG	SG	Illustration	Restrictions	Update	12:51	23.08.2006	PORSCHE	PET	PORSCHE
996	05	8	07	807-08		203					

Pos	Part Number	Name	Remarks	Qty	Model	Pos	Part Number	Name	Remarks	Qty	Model
	S34	savanna					J34	nephrite green			
	G14	metropole blue				1	996 555 091 07	rooflining alcantara valid up to: F >>995S6 00227	05	1	4S/M650
	J34	nephrite green	01-				A14	black			
1	996 555 091 05	rooflining alcantara	01	1	COUPE:M 650		C54	graphite grey			
	A14	black					S34	savanna			
	C54	graphite grey					G14	metropole blue			
	S34	savanna					J34	nephrite green			
	G14	metropole blue				(1)	997 555 091 00	rooflining alcantara valid from: F 995S6 00228>>	05	1	4S/M652
(1)	996 555 091 06	rooflining alcantara	02-04	1	COUPE		A14	black			
	A14	black					C54	graphite grey			
	C54	graphite grey					S34	savanna			
	S34	savanna					G14	metropole blue			
	G14	metropole blue				1	997 555 091 01	rooflining alcantara valid from: F 995S6 00228>>	05-	1	4S/M650
	J34	nephrite green	01-				A14	black			
1	996 555 091 07	rooflining alcantara	02-04	1	COUPE:M 650		C54	graphite grey			
	A14	black					S34	savanna			
	C54	graphite grey					G14	metropole blue			
	S34	savanna				(1)	996 555 982 02	rooflining leather	01-04	1	COUPE:XMA
	G14	metropole blue					A11	black			
	J34	nephrite green	01-				C51	graphite grey			
1	996 555 091 06	rooflining alcantara valid up to: F >>995S6 00227	05	1	4S/M652		S31	savanna			
	A14	black					G11	metropole blue			
	C54	graphite grey					J31	nephrite green	-03		
	S34	savanna					M31	boxster red			
	G14	metropole blue									

Model	Year	MG	SG	Illustration	Restrictions	Update	12:51	23.08.2006	PORSCHE	PET	PORSCHE
996	05	8	07	807-08		203					

Pos	Part Number	Name	Remarks	Qty	Model	Pos	Part Number	Name	Remarks	Qty	Model
		P12 cinnamon brown					S31 savanna				
		D12 dark grey/natural					G11 metropole blue				
		T12 brown/natural					M31 boxster red				
1	996 555 982 03	rooflining leather	01-04	1	COUPE:XMA/ M 650		P12 cinnamon brown				
		A11 black					D12 dark grey/natural				
		C51 graphite grey				(1)	997 555 980 00	rooflining	05	1	COUPE 4S/ MXMA/652
		S31 savanna						leather valid from: F 995S6 00228>>			
		G11 metropole blue					A11 black				
		J31 nephrite green	-03				C51 graphite grey				
		M31 boxster red					S31 savanna				
		P12 cinnamon brown					G11 metropole blue				
		D12 dark grey/natural					M31 boxster red				
		T12 brown/natural					P12 cinnamon brown				
(1)	996 555 982 02	rooflining leather valid up to: F >>995S6 00227	05	1	4S/XMA/652		D12 dark grey/natural				
		A11 black					T12 brown/natural				
		C51 graphite grey				(1)	997 555 980 01	rooflining	05	1	COUPE 4S/ MXMA/650
		S31 savanna						leather valid from: F 995S6 00228>>			
		G11 metropole blue					A11 black				
		M31 boxster red					C51 graphite grey				
		P12 cinnamon brown					S31 savanna				
		D12 dark grey/natural					G11 metropole blue				
		T12 brown/natural					M31 boxster red				
(1)	996 555 982 03	rooflining leather valid up to: F >>995S6 00227	05	1	4S/XMA/650		P12 cinnamon brown				
		A11 black					D12 dark grey/natural				
		C51 graphite grey					T12 brown/natural				
						-	999 551 609 40	plastic washer 8,0 X 23 X 3,0		6	COUPE

Model	Year	MG	SG	Illustration	Restrictions	Update	12:51	23.08.2006	PORSCHE	PET	PORSCHE
996	05	8	07	807-08		203					

Pos	Part Number	Name	Remarks	Qty	Model	Pos	Part Number	Name	Remarks	Qty	Model
2	996 564 231 02	pipng		1	COUPE:M 650	(8)	996 555 557 05	cover interior light lacquered	-03	1	COUPE:M 652
3	999 507 479 09	clamp 2,5/0,9		3							
(3)	999 507 681 09	retaining clip		10	COUPE		D05	granite grey	-99		
(3)	999 507 681 09	retaining clip 2,5/3,0		12	TARGA		A03	black	00-		
-	999 551 134 40	adhesive tape 20 X 65		12			C53	graphite grey	00-		
4	996 555 823 00	support transverse strut		2	COUPE:M 650		S33	savanna	00-		
5	996 555 691 02	clip		8	COUPE		G13	metropole blue	00-		
(6) U	996 555 553 08	cover rooflining front	-04	1	COUPE		B13	space grey	00		
(6) U	996 555 553 09	cover rooflining front	-04	1	COUPE:M 650	(8)	J33	nephrite green	___00-03		
(6) U	996 555 553 08	cover rooflining front valid up to: F >>995S6 00227	05	1	4S/M652		M33	boxster red	___00-01		
(6) U	996 555 553 09	cover rooflining front valid up to: F >>995S6 00227	05	1	4S/M650		P13	cinnamon brown	01		
(6) U	997 555 591 00	cover rooflining front valid from: F 995S6 00228>>	05	1	4S/M652	8	996 555 557 10	cover interior light lacquered	04-	1	COUPE:M 652
6 U	997 555 591 01	cover rooflining front valid from: F 995S6 00228>>	05	1	4S/M650		A03	black	00-		
(7) U	996 555 155 06	cover rooflining	/H	1	COUPE		C53	graphite grey	00-		
7 U	996 555 155 07	cover rooflining	/H	1	COUPE:M 650		S33	savanna	00-		
							G13	metropole blue	00-		
							B13	space grey	00		
							J33	nephrite green	___00-03		
							M33	boxster red	___00-01		
							P13	cinnamon brown	01		

Model	Year	MG	SG	Illustration	Restrictions	Update	12:51	23.08.2006	PORSCHE	PET	PORSCHE
996	05	8	07	807-08		203					

Pos	Part Number	Name	Remarks	Qty	Model	Pos	Part Number	Name	Remarks	Qty	Model
(8)	996 555 557 08	cover interior light lacquered A03 black C53 graphite grey S33 savanna G13 metropole blue J33 nephrite green M33 boxster red P13 cinnamon brown	-03	1	COUPE/ M652/265		S31 savanna G11 metropole blue J31 nephrite green M31 boxster red D12 dark grey T12 brown/natural P12 cinnamon brown				
(8)	996 555 557 11	cover interior light lacquered A03 black C53 graphite grey S33 savanna G13 metropole blue	04-	1	COUBE/ M652/265	(8)	996 555 993 03	cover interior light leather A11 black C51 graphite grey S31 savanna G11 metropole blue J31 nephrite green M31 boxster red D12 dark grey T12 brown/natural P12 cinnamon brown	01-	1	XZD+M 265
(8)	996 555 557 09	cover interior light lacquered A03 black C53 graphite grey S33 savanna G13 metropole blue J33 nephrite green M33 boxster red P13 cinnamon brown	01-	1	COUPE/ M650/265	(8)	996 555 993 00	cover interior light leather A11 black C51 graphite grey S31 savanna G11 metropole blue J31 nephrite green M31 boxster red D12 dark grey T12 brown/natural P12 cinnamon brown	01-	1	XZD+M 650
8	996 555 993 01	cover interior light leather A11 black C51 graphite grey	01-	1	XZD						

Model	Year	MG	SG	Illustration	Restrictions	Update	12:51	23.08.2006	PORSCHE	PET	PORSCHE
996	05	8	07	807-08		203					

Pos	Part Number	Name	Remarks	Qty	Model	Pos	Part Number	Name	Remarks	Qty	Model
(8)	996 555 993 02	cover interior light leather	01-	1	XZD+M 265/ M 650	(10)	996 555 181 08	lining a-pillar leatherette	/L 00-	1	COUPE
	A11	black					A12	black			
	C51	graphite grey					C52	graphite grey			
	S31	savanna					S32	savanna			
	G11	metropole blue					G12	metropole blue			
	J31	nephrite green					B52	space grey	00		
	M31	boxster red					J32	nephrite green	01-		
	D12	dark grey				(10)	996 555 182 08	lining a-pillar leatherette	/R 00-	1	COUPE
	T12	brown/natural					A12	black			
	P12	cinnamon brown					C52	graphite grey			
9	999 073 166 09	countersunk-head screw M 6 X 25	-99	2			S32	savanna			
(9)	999 073 061 02	tapping screw 4,8 X 16	00-	2			G12	metropole blue			
(10)	996 555 181 04	lining a-pillar leatherette	/L -99	1	COUPE		B52	space grey	00		
	A18	black					J32	nephrite green	01-		
	C18	graphite grey				(10)	996 555 181 14	lining a-pillar leatherette	/L 02-	1	TARGA
	S18	savanna					A12	black			
	G18	metropole blue					C52	graphite grey			
	B18	space grey					S32	savanna			
10	996 555 182 04	lining a-pillar leatherette	/R -99	1	COUPE		G12	metropole blue			
	A18	black					J32	nephrite green	01-		
	C18	graphite grey				(10)	996 555 182 14	lining a-pillar leatherette	/R 02-	1	TARGA
	S18	savanna					A12	black			
	G18	metropole blue					C52	graphite grey			
	B18	space grey					S32	savanna			
							G12	metropole blue			



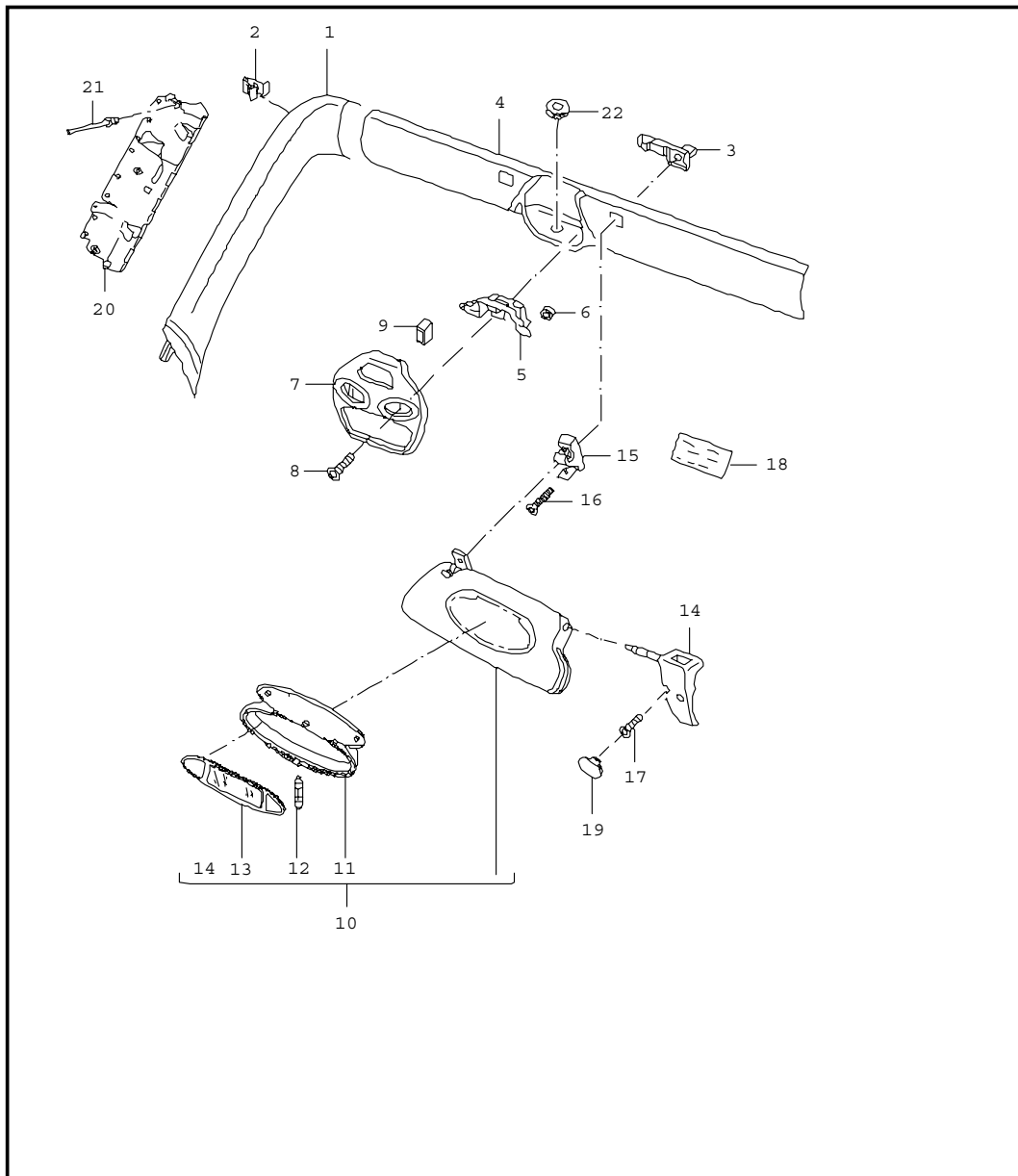
Model	Year	MG	SG	Illustration	Restrictions	Update	12:51	23.08.2006	PORSCHE	PET	PORSCHE
996	05	8	07	807-08		203					

Pos	Part Number	Name	Remarks	Qty	Model	Pos	Part Number	Name	Remarks	Qty	Model
	J32	nephrite green	01-				T12	brown/natural			
(10)	996 555 181 05	lining a-pillar leather	/L -99	1	COUPE		P12	cinnamon brown	01-		
	A11	black				(10)	996 555 182 09	lining a-pillar leather	/R 00-	1	COUPE
	C51	graphite grey					A11	black			
	S31	savanna					C51	graphite grey			
	G11	metropole blue					S31	savanna			
	B51	space grey					G11	metropole blue			
	J31	nephrite green					B51	space grey	00		
	M31	boxster red					J31	nephrite green			
10	996 555 182 05	lining a-pillar leather	/R -99	1	COUPE		M31	boxster red			
	A11	black					D12	dark grey			
	C51	graphite grey					T12	brown/natural			
	S31	savanna					P12	cinnamon brown	01-		
	G11	metropole blue				(10)	996 555 181 15	lining a-pillar leather	/L 02-	1	TARGA
	B51	space grey					A11	black			
	J31	nephrite green					C51	graphite grey			
	M31	boxster red					S31	savanna			
(10)	996 555 181 09	lining a-pillar leather	/L 00-	1	COUPE		G11	metropole blue			
	A11	black					J31	nephrite green			
	C51	graphite grey					M31	boxster red			
	S31	savanna					D12	dark grey			
	G11	metropole blue					T12	brown/natural			
	B51	space grey	00			(10)	996 555 182 15	lining a-pillar leather	/R 02-	1	TARGA
	J31	nephrite green					P12	cinnamon brown	01-		
	M31	boxster red					A11	black			
	D12	dark grey					C51	graphite grey			

Model	Year	MG	SG	Illustration	Restrictions	Update	12:51	23.08.2006	PORSCHE	PET	PORSCHE
996	05	8	07	807-08		203					

Pos	Part Number	Name	Remarks	Qty	Model	Pos	Part Number	Name	Remarks	Qty	Model
	S31	savanna									
	G11	metropole blue									
	J31	nephrite green									
	M31	boxster red									
	D12	dark grey									
	T12	brown/natural									
	P12	cinnamon brown	01-								
(11)	996 555 291 00	deformation element	/L 00-	1							
11	996 555 292 00	deformation element	/R 00-	1							
12	999 190 167 30	blind rivet 4,0 X 6,3	00-	10							
--	999 551 138 40	felt strip 25 X 25 X 1		2							
--	999 551 609 40	washer 8,0 X 23 X 3,0		8	TARGA						
13	996 555 619 00	grommet wiring harness rain sensor	01-	1	M 265						
		- - - E N D - - -									

Model	Year	MG	SG	Illustration	Restrictions	Update	12:51	23.08.2006	PORSCHE	PET	PORSCHE
996	05	8	07	807-09		203					



Pos	Part Number	Name	Remarks	Qty	Model
		windscreen frame			CABRIO
		windscreen frame			TARGA
		sun visors			COUPE/CABRIO
		sun visors			TARGA
1	996 555 181 12	lining a-pillar leatherette	/L -99	1	CABRIO
	A18	black			
	C18	graphite grey			
	S18	savanna			
	G18	metropole blue			
	B18	space grey			
(1)	996 555 182 12	lining a-pillar leatherette	/R -99	1	CABRIO
	A18	black			
	C18	graphite grey			
	S18	savanna			
	G18	metropole blue			
	B18	space grey			
(1)	996 555 181 10	lining a-pillar leatherette	/L 00-	1	CABRIO
	A12	black			
	C52	graphite grey			
	S32	savanna			
	G12	metropole blue			
	B52	space grey	00		
	J32	nephrite green	01-		
(1)	996 555 182 10	lining a-pillar leatherette	/R 00-	1	CABRIO
	A12	black			
	C52	graphite grey			
	S32	savanna			

Model	Year	MG	SG	Illustration	Restrictions	Update	12:51	23.08.2006	PORSCHE	PET	PORSCHE
996	05	8	07	807-09		203					

Pos	Part Number	Name	Remarks	Qty	Model	Pos	Part Number	Name	Remarks	Qty	Model
	G12	metropole blue					T12	brown/natural			
	B52	space grey	00				P12	cinnamon brown	01-		
	J32	nephrite green	01-			(1)	996 555 182 11	lining leather	/R 00-	1	CABRIO
1	996 555 181 13	lining leather	/L -99	1	CABRIO		A11	black			
	A11	black					C51	graphite grey			
	C51	graphite grey					S31	savanna			
	S31	savanna					G11	metropole blue			
	G11	metropole blue					B51	space grey	00		
	B51	space grey					J31	nephrite green			
	J31	nephrite green					M31	boxster red			
	M31	boxster red					D12	dark grey			
(1)	996 555 182 13	lining leather	/R -99	1	CABRIO		T12	brown/natural			
	A11	black					P12	cinnamon brown	01-		
	C51	graphite grey				2	999 507 574 02	clamp 8 X 10/1,2		4	
	S31	savanna				2	999 507 681 09	clamp 2,5/3,00	00-	10	
	G11	metropole blue				3	986 731 541 01	plate		2	
	B51	space grey				4	996 555 059 02	lining windscreen frame part leatherette		1	CABRIO
	J31	nephrite green					A18	black	-99		
	M31	boxster red					C18	graphite grey	-99		
(1)	996 555 181 11	lining leather	/L 00-	1	CABRIO		S18	savanna	-99		
	A11	black					G18	metropole blue	-99		
	C51	graphite grey					B18	space grey	-99		
	S31	savanna					A12	black	00-		
	G11	metropole blue					C52	graphite grey	00-		
	B51	space grey	00				S32	savanna	00-		
	J31	nephrite green					G12	metropole blue	00-		
	M31	boxster red					B52	space grey	00		
	D12	dark grey									

Model	Year	MG	SG	Illustration	Restrictions	Update	12:51	23.08.2006	PORSCHE	PET	PORSCHE
996	05	8	07	807-09		203					

Pos	Part Number	Name	Remarks	Qty	Model	Pos	Part Number	Name	Remarks	Qty	Model
	J32	nephrite green	01-				B51	space grey	-00		
(4)	996 555 059 06	lining	01-	1	CABRIO M265		J31	nephrite green			
		windscreen frame part leatherette					M31	boxster red			
	A12	black	00-				D12	dark grey	00-		
	C52	graphite grey	00-				T12	brown/natural	00-		
	S32	savanna	00-				P12	cinnamon brown	01-		
	G12	metropole blue	00-			(4)	996 555 059 07	lining	01-	1	CABRIO M265
	J32	nephrite green	01-					windscreen frame leather			
4	996 555 059 04	lining	02-	1	TARGA		A11	black			
		windscreen frame part leatherette					C51	graphite grey			
	A12	black	00-				S31	savanna			
	C52	graphite grey	00-				G11	metropole blue			
	S32	savanna	00-				J31	nephrite green			
	G12	metropole blue	00-				M31	boxster red			
	J32	nephrite green	01-				D12	dark grey	00-		
(4)	996 555 059 08	lining	02-	1	TARGA M265		T12	brown/natural	00-		
		windscreen frame part leatherette					P12	cinnamon brown	01-		
	A12	black	00-			4	996 555 059 05	lining	02-	1	TARGA
	C52	graphite grey	00-					windscreen frame leather			
	S32	savanna	00-				A11	black			
	G12	metropole blue	00-				C51	graphite grey			
	J32	nephrite green	01-				S31	savanna			
4	996 555 059 03	lining		1	CABRIO		G11	metropole blue			
		windscreen frame leather					J31	nephrite green			
	A11	black					M31	boxster red			
	C51	graphite grey					D12	dark grey	00-		
	S31	savanna					T12	brown/natural	00-		
	G11	metropole blue					P12	cinnamon brown	01-		

Model	Year	MG	SG	Illustration	Restrictions	Update	12:51	23.08.2006	PORSCHE	PET	PORSCHE
996	05	8	07	807-09		203					

Pos	Part Number	Name	Remarks	Qty	Model	Pos	Part Number	Name	Remarks	Qty	Model
(4)	996 555 059 09	lining	02-	1	TARGA M265	(10)	996 731 031 06	sun visor leatherette	/L -99	1	COUPE
		windscreen frame leather						ELC black			
	A11	black						ELD graphite grey			
	C51	graphite grey						ELE savanna			
	S31	savanna						ELG metropole blue			
	G11	metropole blue						ELF space grey			
	J31	nephrite green				(10)	996 731 032 06	sun visor leatherette	/R -99	1	COUPE
	M31	boxster red						ELC black			
	D12	dark grey	00-					ELD graphite grey			
	T12	brown/natural	00-					ELE savanna			
	P12	cinnamon brown	01-					ELG metropole blue			
5	996 613 795 01	microswitch		1	CABRIO			ELF space grey			
6	999 507 534 02	clamping washer 2,5		2	CABRIO	(10)	996 731 031 15	sun visor leatherette valid up to: F >>995S6 00227	/L 00-	1	COUPE
7	996 561 635 00	cover interior light lacquered		1	CABRIO			A12 black			
	A09	rally black						C52 graphite grey			
(7)	996 555 557 07	cover interior light	02-	1	TARGA			S32 savanna			
	A03	black						G12 metropole blue			
	C53	graphite grey						J32 nephrite green	01-		
	S33	savanna				(10)	996 731 032 15	sun visor leatherette valid up to: F >>995S6 00227	/R 00-	1	COUPE
	G13	metropole blue						A12 black			
	J33	nephrite green						C52 graphite grey			
	M33	boxster red						S32 savanna			
	P13	cinnamon brown						G12 metropole blue			
8	999 073 166 09	countersunk-head screw M 6 X 25		2	CABRIO			J32 nephrite green	01-		
(8)	999 073 061 02	tapping screw 4,8 X 16		2	TARGA						
9	996 561 609 00	cap		1	CABRIO						

Model	Year	MG	SG	Illustration	Restrictions	Update	12:51	23.08.2006	PORSCHE	PET	PORSCHE
996	05	8	07	807-09		203					

Pos	Part Number	Name	Remarks	Qty	Model	Pos	Part Number	Name	Remarks	Qty	Model
(10)	997 731 031 00	sun visor leatherette valid from: F 995S6 00228>>	/L	1	COUPE4S/M274		J31	nephrite green			
	A12	black					G11	metropole blue			
	C52	graphite grey					M31	boxster red			
	S32	savanna					D12	dark grey			
	G12	metropole blue					T12	brown/natural			
							P12	cinnamon brown			
(10)	997 731 032 00	sun visor leatherette valid from: F 995S6 00228>>	/R	1	COUPE4S/M274	(10)	996 731 980 19	sun visor leather valid from: F 995S6 00228>>	/L	1	COUPE 4S/ XMP
	A12	black					VRK	black			
	C52	graphite grey					C51	graphite grey			
	S32	savanna					S31	savanna			
	G12	metropole blue					G11	metropole blue			
(10)	996 731 980 09	sun visor leather valid up to:	/L 01-	1	COUPE/XMP		M31	boxster red			
	VRK	black					P12	cinnamon brown			
	C51	graphite grey					D12	dark grey/natural			
	S31	savanna					T12	brown/natural			
	J31	nephrite green				(10)	996 731 981 19	sun visor leather valid from: F 995S6 00228>>	/R	1	COUPE 4S/ XMP
	G11	metropole blue					VRK	black			
	M31	boxster red					C51	graphite grey			
	D12	dark grey					S31	savanna			
	T12	brown/natural					G11	metropole blue			
	P12	cinnamon brown					M31	boxster red			
10	996 731 981 09	sun visor leather valid up to:	/R 01-	1	COUPE/XMP		P12	cinnamon brown			
	VRK	black					D12	dark grey/natural			
	C51	graphite grey					T12	brown/natural			
	S31	savanna				(10)	996 731 031 09	sun visor leatherette	/L -99	1	CABRIO

Model	Year	MG	SG	Illustration	Restrictions	Update	12:51	23.08.2006	PORSCHE	PET	PORSCHE
996	05	8	07	807-09		203					

Pos	Part Number	Name	Remarks	Qty	Model	Pos	Part Number	Name	Remarks	Qty	Model
		ELH black					J31 nephrite green				
		ELJ graphite grey					M31 boxster red				
		ELK savanna					G11 metropole blue				
		ELL metropole blue					D12 dark grey				
		ELM space grey					T12 brown/natural				
10	996 731 032 09	sun visor leatherette	/R -99	1	CABRIO		P12 cinnamon brown				
		ELH black				10	996 731 981 12	sun visor leather	/R 01-	1	CABRIO/XMP
		ELJ graphite grey					VRK black				
		ELK savanna					C51 graphite grey				
		ELL metropole blue					S31 savanna				
		ELM space grey					J31 nephrite green				
(10)	996 731 031 18	sun visor leatherette	/L 00-	1	CABRIO		M31 boxster red				
		A12 black					G11 metropole blue				
		C52 graphite grey					D12 dark grey				
		S32 savanna					T12 brown/natural				
		G12 metropole blue					P12 cinnamon brown				
		J32 nephrite green	01-			(10)	996 731 031 12	sun visor leatherette	/L 02-	1	TARGA/M274
(10)	996 731 032 18	sun visor leatherette	/R 00-	1	CABRIO		A12 black				
		A12 black					C52 graphite grey				
		C52 graphite grey					S32 savanna				
		S32 savanna					G12 metropole blue				
		G12 metropole blue					J32 nephrite green				
		J32 nephrite green	01-			(10)	996 731 032 12	sun visor leatherette	/R 02-	1	TARGA/M274
(10)	996 731 980 12	sun visor leather	/L 01-	1	CABRIO/XMP		A12 black				
		VRK black					C52 graphite grey				
		C51 graphite grey					S32 savanna				
		S31 savanna					G12 metropole blue				
							J32 nephrite green				



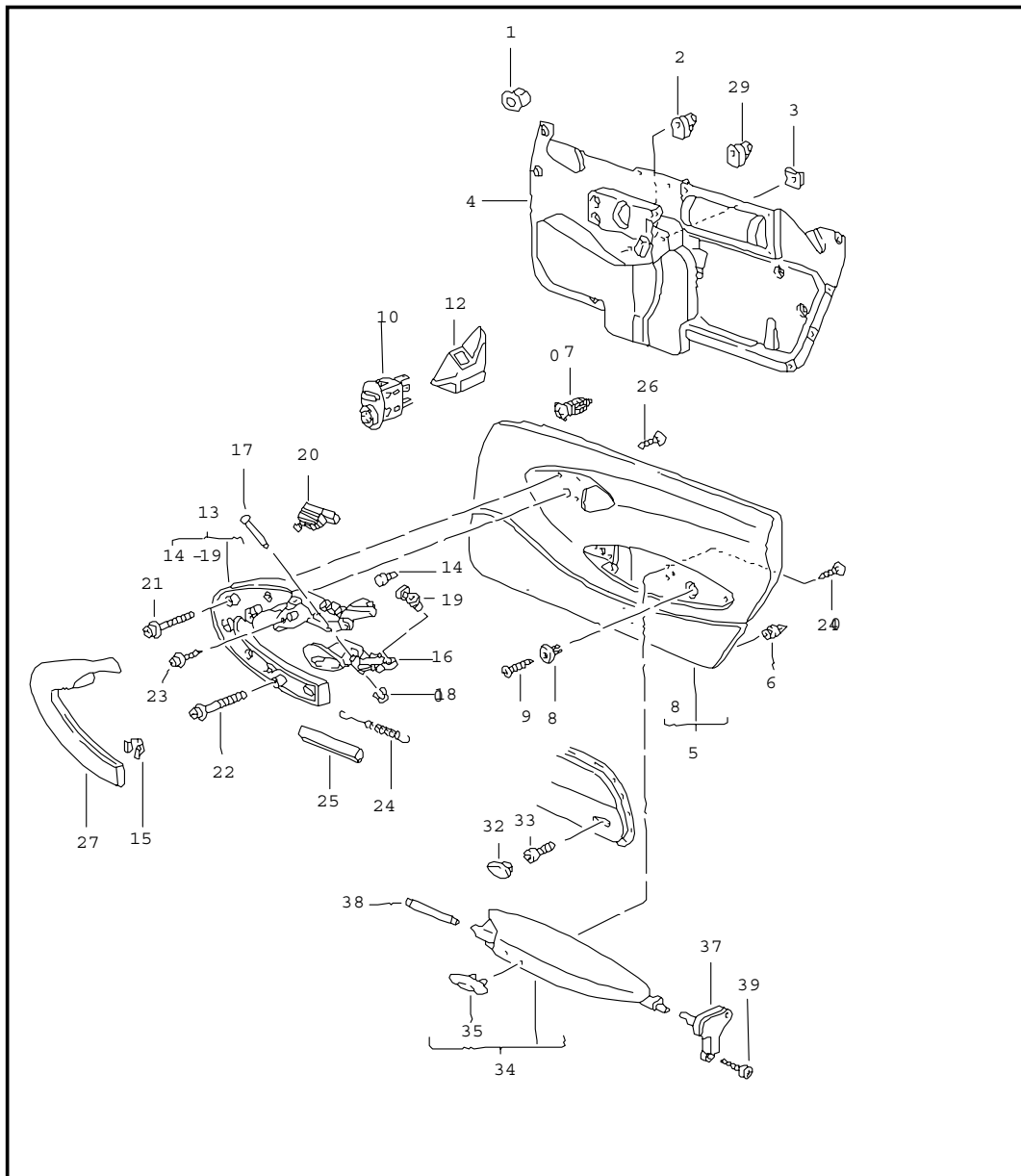
Model	Year	MG	SG	Illustration	Restrictions	Update	12:51	23.08.2006	PORSCHE	PET	PORSCHE
996	05	8	07	807-09		203					

Pos	Part Number	Name	Remarks	Qty	Model	Pos	Part Number	Name	Remarks	Qty	Model
(10)	996 731 980 06	sun visor leather	/L 03-	1	TARGA/XMP		A09	rally black			
	VRK	black				14	996 561 608 01	mounting	/R	1	CABRIO
	C51	graphite grey					A09	rally black			
	S31	savanna				15	996 731 341 00	support sun visor	/L	1	
	G11	metropole blue					01C	satin black			
	M31	boxster red				(15)	996 731 342 00	support sun visor		1	
	P12	cinnamon brown					01C	satin black			
	D12	dark grey/natural				16	999 073 139 02	oval-head screw M 5 X 25 valid up to: F >>995S6 00227		2	COUPE
	T12	brown/natural									
(10)	996 731 981 06	sun visor leather	/R 03-	1	TARGA/XMP						
	VRK	black				16	999 073 326 09	oval-head screw M 5 X 10 valid from: F 995S6 00228>>		2	
	C51	graphite grey									
	S31	savanna				(16)	999 500 093 02	nut M 5		2	COUPE
	G11	metropole blue				16	900 146 117 09	screw M 5 X 16		4	TARGA
	M31	boxster red				17	999 073 166 09	countersunk-head screw M 6 X 25		4	CABRIO
	P12	cinnamon brown				18	996 701 401 06	sticker	-02	1	CABRIO
	D12	dark grey/natural				18	996 701 401 12	sticker folding top control german	03-	1	CABRIO
	T12	brown/natural				18	996 701 401 07	sticker	-02	1	CABRIO
11	996 731 903 00	mirror housing with illumination		1		18	996 701 401 13	indication sticker folding top control english	03-	1	CABRIO
	01C	satin black				18	996 701 401 07	sticker	-02	1	CABRIO
12	999 631 137 90	bulb 3 W		4	M274	18	996 701 401 13	indication sticker folding top control english	03-	1	CABRIO
12	999 631 147 90	bulb 3 W		4	M274	19	996 561 613 00	cover mounting		2	CABRIO
13	996 731 531 01	mirror glass with frame		2	M274		01C	satin black			
	01C	satin black				20	996 555 291 00	deformation element a-pillar	/L 00-	1	
(14)	996 561 607 01	mounting	/L	1	CABRIO	20	996 555 292 00	deformation element a-pillar	/R 00-	1	

Model	Year	MG	SG	Illustration	Restrictions	Update	12:51	23.08.2006	PORSCHE	PET	PORSCHE
996	05	8	07	807-09		203					

Pos	Part Number	Name	Remarks	Qty	Model	Pos	Part Number	Name	Remarks	Qty	Model
21	999 190 167 30	blind rivet 4,0 X 6,3	00-	10							
22	996 555 619 00	grommet wiring harness rain sensor	01-	1	M265						
		- - - E N D - - -									

Model	Year	MG	SG	Illustration	Restrictions	Update	12:51	23.08.2006	PORSCHE	PET	PORSCHE
996	05	8	07	807-10		203					



Pos	Part Number	Name	Remarks	Qty	Model
		door trim panel accessories			
1	191 853 615 A	grommet		3	
2	999 920 013 40	special nut 5,0 X 1,0 X 8		4	
3	999 591 882 02	speed nut M 6		2	
(4)	996 555 831 04	seal	/L	1	
4	996 555 832 04	seal	/R	1	
(4)	996 555 831 05	seal	/L	1	M 490
(4)	996 555 832 05	seal repair material use also:	/R	1	M 490
-	000 043 101 00	sealing cord		1	
(5)	996 555 121 00	door trim panel leatherette	/L 98	1	
		EHF	black		
		EHG	graphite grey		
		EHH	savanna		
		EHJ	metropole blue		
		EHK	space grey		
5	996 555 122 00	door trim panel leatherette	/R 98	1	
		EHF	black		
		EHG	graphite grey		
		EHH	savanna		
		EHJ	metropole blue		
		EHK	space grey		
(5)	996 555 121 02	door trim panel leatherette	/L 98	1	M 490
		EHF	black		
		EHG	graphite grey		
		EHH	savanna		

Model	Year	MG	SG	Illustration	Restrictions	Update	12:51	23.08.2006	PORSCHE	PET	PORSCHE
996	05	8	07	807-10		203					

Pos	Part Number	Name	Remarks	Qty	Model	Pos	Part Number	Name	Remarks	Qty	Model
		EJH metropole blue						EHF black			
		EJK space grey						EHG graphite grey			
(5)	996 555 122 02	door trim panel leatherette	/R 98	1	M 490			EHH savanna			
		EHF black						EJH metropole blue			
		EHG graphite grey				(5)	996 555 121 04	door trim panel leatherette	/L 00-	1	
		EHH savanna						ESY black			
		EJH metropole blue						ESZ graphite grey			
(5)	996 555 121 04	door trim panel leatherette	/L -99	1	M 563			ETA savanna			
		EHF black						ETB metropole blue			
		EHG graphite grey						EUY space grey	00		
		EHH savanna						FEQ nephrite green	01-		
		EJH metropole blue				(5)	996 555 122 04	door trim panel leatherette	/R 00-	1	
		EJK space grey						ESY black			
(5)	996 555 122 04	door trim panel leatherette	/R -99	1	M 563			ESZ graphite grey			
		EHF black						ETA savanna			
		EHG graphite grey						ETB metropole blue			
		EHH savanna						EUY space grey	00		
		EJH metropole blue						FEQ nephrite green	01-		
		EJK space grey				(5)	996 555 121 06	door trim panel leatherette	/L 00-	1	M 490/680
(5)	996 555 121 06	door trim panel leatherette	/L -99	1	M 563/490			ESY black			
		EHF black						ESZ graphite grey			
		EHG graphite grey						ETA savanna			
		EHH savanna						ETB metropole blue			
		EJH metropole blue						EUY space grey	00		
		EJK space grey						FEQ nephrite green	01-		
(5)	996 555 122 06	door trim panel leatherette	/R -99	1	M 563/490	(5)	996 555 122 06	door trim panel leatherette	/R 00-	1	M 490/680

Model	Year	MG	SG	Illustration	Restrictions	Update	12:51	23.08.2006	PORSCHE	PET	PORSCHE
996	05	8	07	807-10		203					

Pos	Part Number	Name	Remarks	Qty	Model	Pos	Part Number	Name	Remarks	Qty	Model
	ESY	black					EHO	metropole blue			
	ESZ	graphite grey					EHP	space grey			
	ETA	savanna				(5)	996 555 122 03	door trim panel leather	/R 98	1	M 490
	ETB	metropole blue					EHL	black			
	EUY	space grey	00				EHM	graphite grey			
	FEQ	nephrite green	01-				EHN	savanna			
(5)	996 555 121 01	door trim panel leather	/L 98	1			EHQ	nephrite green			
	EHL	black					EHR	boxster red			
	EHM	graphite grey					EHO	metropole blue			
	EHN	savanna					EHP	space grey			
	EHQ	nephrite green				(5)	996 555 121 05	door trim panel leather	/L -99	1	M 563
	EHR	boxster red					EHL	black			
	EHO	metropole blue					EHM	graphite grey			
	EHP	space grey					EHN	savanna			
5	996 555 122 01	door trim panel leather	/R 98	1			EHQ	nephrite green			
	EHL	black					EHR	boxster red			
	EHM	graphite grey					EHO	metropole blue			
	EHN	savanna					EHP	space grey			
	EHQ	nephrite green				(5)	996 555 122 05	door trim panel leather	/R -99	1	M 563
	EHR	boxster red					EHL	black			
	EHO	metropole blue					EHM	graphite grey			
	EHP	space grey					EHN	savanna			
(5)	996 555 121 03	door trim panel leather	/L 98	1	M 490		EHQ	nephrite green			
	EHL	black					EHR	boxster red			
	EHM	graphite grey					EHO	metropole blue			
	EHN	savanna					EHP	space grey			
	EHQ	nephrite green				(5)	996 555 121 07	door trim panel leather	/L -99	1	M 563/490
	EHR	boxster red									

Model	Year	MG	SG	Illustration	Restrictions	Update	12:51	23.08.2006	PORSCHE	PET	PORSCHE
996	05	8	07	807-10		203					

Pos	Part Number	Name	Remarks	Qty	Model	Pos	Part Number	Name	Remarks	Qty	Model
		EHL black						ETD graphite grey			
		EHM graphite grey						ETE savanna			
		EHN savanna						ETF metropole blue			
		EHQ nephrite green						EUX space grey	00		
		EHR boxster red						ETG nephrite green			
		EHO metropole blue						ETH boxster red			
		EHP space grey						VRV dark grey			
(5)	996 555 122 07	door trim panel leather	/R -99	1	M 563/490			VRW brown/natural			
		EHL black						FEL cinnamon brown	01-		
		EHM graphite grey				(5)	996 555 121 07	door trim panel leather	/L -02	1	M 490/680
		EHN savanna						ETC black			
		EHQ nephrite green						ETD graphite grey			
		EHR boxster red						ETE savanna			
		EHO metropole blue						ETF metropole blue			
		EHP space grey						EUX space grey	00		
(5)	996 555 121 05	door trim panel leather	/L -02	1				ETG nephrite green			
		ETC black						ETH boxster red			
		ETD graphite grey						VRV dark grey			
		ETE savanna						VRW brown/natural			
		ETF metropole blue						FEL cinnamon brown	01-		
		EUX space grey	00			(5)	996 555 122 07	door trim panel leather	/R -02	1	M 490/680
		ETG nephrite green						ETC black			
		ETH boxster red						ETD graphite grey			
		VRV dark grey						ETE savanna			
		VRW brown/natural						ETF metropole blue			
		FEL cinnamon brown	01-					EUX space grey	00		
(5)	996 555 122 05	door trim panel leather	/R -02	1				ETG nephrite green			
		ETC black						ETH boxster red			

Model	Year	MG	SG	Illustration	Restrictions	Update	12:52	23.08.2006	PORSCHE	PET	PORSCHE
996	05	8	07	807-10		203					

Pos	Part Number	Name	Remarks	Qty	Model	Pos	Part Number	Name	Remarks	Qty	Model
		VRV dark grey						ETG nephrite green			
		VRW brown/natural						ETH boxster red			
		FEL cinnamon brown	01-					FEL cinnamon brown			
(5)	996 555 121 08	door trim panel leather	/L 03-	1	M 563/981			VRV dark grey/natural			
		ETC black						VRW brown/natural			
		ETD graphite grey				(5)	996 555 121 09	door trim panel leather	/L 03-	1	M490/680/563
		ETE savanna						ETC black			
		ETF metropole blue						ETD graphite grey			
		ETG nephrite green						ETE savanna			
		ETH boxster red						ETF metropole blue			
		FEL cinnamon brown						ETG nephrite green			
		VRV dark grey/natural						ETH boxster red			
		VRW brown/natural						FEL cinnamon brown			
(5)	996 555 122 08	door trim panel leather	/R 03-	1	M 563/981			VRV dark grey/natural			
		ETC black						VRW brown/natural			
		ETD graphite grey				(5)	996 555 122 09	door trim panel leather	/R 03-	1	M490/680/563
		ETE savanna						ETC black			
		ETF metropole blue						ETD graphite grey			
		ETG nephrite green						ETE savanna			
		ETH boxster red						ETF metropole blue			
		FEL cinnamon brown						ETG nephrite green			
		VRV dark grey/natural						ETH boxster red			
		VRW brown/natural						FEL cinnamon brown			
(5)	996 555 121 09	door trim panel leather	/L 03-	1	M 490/563			VRV dark grey/natural			
		ETC black						VRW brown/natural			
		ETD graphite grey				-	999 911 688 40	adhesive tape 10 X 0,1 X 370		4	
		ETE savanna				6	999 507 505 40	clip grey		8	
		ETF metropole blue									

Model	Year	MG	SG	Illustration	Restrictions	Update	12:52	23.08.2006	PORSCHE	PET	PORSCHE
996	05	8	07	807-10		203					

Pos	Part Number	Name	Remarks	Qty	Model	Pos	Part Number	Name	Remarks	Qty	Model
6	999 507 582 40	clip white 8,0 X 0,9		8		(12)	996 555 651 03	lining door mirror	/LL/L00	1	M094/XTK/273
7	999 507 651 40	expander nut 9,0 X 0,9		2			T12	brown/natural			
8	999 507 427 40	expander nut 6,3	-04	2		(12)	996 555 652 03	lining door mirror	/RL/L00	1	M094/XTK/273
							T12	brown/natural			
10	996 613 241 00	switch door mirror		1		(12)	996 555 652 02	lining	/LL/R	1	
	01C	satin black					D05	granite grey	-99		
(12)	996 555 651 03	lining door mirror	/LL/L	1			A03	black	00-		
	D05	granite grey	-99				C53	graphite grey	00-		
	A03	black	00-				S33	savanna	00-		
	C53	graphite grey	00-				G13	metropole blue	00-		
	S33	savanna	00-				B13	space grey	00		
	G13	metropole blue	00-				J33	nephrite green	00-		
	B13	space grey	00				M33	boxster red	00-		
	J33	nephrite green	00-				P13	cinnamon brown	01-		
	M33	boxster red	00-			(12)	996 555 651 02	lining door mirror	/RL/L	1	
	P13	cinnamon brown	01-				D05	granite grey	-99		
(12)	996 555 652 03	lining door mirror	/RL/R	1			A03	black	00-		
	D05	granite grey	-99				C53	graphite grey	00-		
	A03	black	00-				S33	savanna	00-		
	C53	graphite grey	00-				G13	metropole blue	00-		
	S33	savanna	00-				B13	space grey	00		
	G13	metropole blue	00-				J33	nephrite green	00-		
	B13	space grey	00				M33	boxster red	00-		
	J33	nephrite green	00-			(12)	996 555 652 02	lining door mirror	/LL/R	1	M094/XTK/276
	M33	boxster red	00-				T12	brown/natural			
	P13	cinnamon brown	01-			(12)	996 555 651 02	lining door mirror	/RL/L	1	M094/XTK/276



Model	Year	MG	SG	Illustration	Restrictions	Update	12:52	23.08.2006	PORSCHE	PET	PORSCHE
996	05	8	07	807-10		203					

Pos	Part Number	Name	Remarks	Qty	Model	Pos	Part Number	Name	Remarks	Qty	Model
(12)	996 555 983 00	T12 brown/natural lining leather A11 black C51 graphite grey S31 savanna G11 metropole blue J31 nephrite green M31 boxster red D12 dark grey/natural T12 brown/natural P12 cinnamon brown	/LL/L01-	1	XTF/XTJ/XTK/ XTL/XTR	(12)	996 555 984 00	J31 nephrite green M31 boxster red D12 dark grey/natural T12 brown/natural P12 cinnamon brown lining leather A11 black C51 graphite grey S31 savanna G11 metropole blue J31 nephrite green M31 boxster red D12 dark grey/natural T12 brown/natural P12 cinnamon brown	00- 00- 01- /RL/R01-	1	XTF/XTJ/XTK/ XTL/XTR
(12)	996 555 984 01	lining leather A11 black C51 graphite grey S31 savanna G11 metropole blue J31 nephrite green M31 boxster red D12 dark grey/natural T12 brown/natural P12 cinnamon brown	/LL/R01-	1	XTF/XTJ/XTK/ XTL/XTR	13 A	996 555 371 00	inner door release valid up to: order also: 996.537.320.03 complete leather F >>99WS6 29813 F >>99XS6 00957 F >>99XS6 40512 F >>99XS6 52307 ENH black ENJ graphite grey ENK savanna ENL metropole blue ENM space grey ENN nephrite green ENO boxster red	/L 98	1	
(12)	996 555 983 01	lining leather A11 black C51 graphite grey S31 savanna G11 metropole blue	/RL/L01-	1	XTF/XTJ/XTK/ XTL/XTR						

Model	Year	MG	SG	Illustration	Restrictions	Update	12:52	23.08.2006	PORSCHE	PET	PORSCHE
996	05	8	07	807-10		203					

Pos	Part Number	Name	Remarks	Qty	Model	Pos	Part Number	Name	Remarks	Qty	Model
(13)	A 996 555 372 00	inner door release valid up to: order also: 996.537.320.03 complete leather F >>99WS6 29813 F >>99XS6 00957 F >>99XS6 40512 F >>99XS6 52307	/R 98	1		(13)	A 996 555 372 01	inner door release valid up to: order also: 996.537.320.03 complete leather F 99WS6 29814>> F 99XS6 00958>> F 99XS6 40513>> F 99XS6 52308>>	/R 99	1	
	ENH	black					ENH	black			
	ENJ	graphite grey					ENJ	graphite grey			
	ENK	savanna					ENK	savanna			
	ENL	metropole blue					ENL	metropole blue			
	ENM	space grey					ENM	space grey			
	ENN	nephrite green					ENN	nephrite green			
	ENO	boxster red					ENO	boxster red			
13	A 996 555 371 01	inner door release valid up to: order also: 996.537.320.03 complete leather F 99WS6 29814>> F 99XS6 00958>> F 99XS6 40513>> F 99XS6 52308>>	/L 99	1		13	996 555 371 02	inner door release valid up to: order also: 996.537.320.03 complete leather	/L -99	1	
	ENH	black					ENH	black			
	ENJ	graphite grey					ENJ	graphite grey			
	ENK	savanna					ENK	savanna			
	ENL	metropole blue					ENL	metropole blue			
	ENM	space grey					ENM	space grey			
	ENN	nephrite green					ENN	nephrite green			
	ENO	boxster red					ENO	boxster red			
						(13)	996 555 372 02	inner door release valid up to: order also: 996.537.320.03 complete leather	/R -99	1	
							ENH	black			
							ENJ	graphite grey			
							ENK	savanna			

Model	Year	MG	SG	Illustration	Restrictions	Update	12:52	23.08.2006	PORSCHE	PET	PORSCHE
996	05	8	07	807-10		203					

Pos	Part Number	Name	Remarks	Qty	Model	Pos	Part Number	Name	Remarks	Qty	Model
		ENL metropole blue					C51	graphite grey			
		ENM space grey					S31	savanna			
		ENN nephrite green					G11	metropole blue			
		ENO boxster red					J31	nephrite green			
(13)	996 555 251 00	inner door release complete leather	/L 00	1			M31	boxster red			
	A11	black					D12	dark grey			
	C51	graphite grey					T12	brown/natural			
	S31	savanna				(13)	P12	cinnamon brown			
	G11	metropole blue				996 555 252 01	inner door release complete leather	/LL/R01	1		
	B51	space grey	00			A11	black				
	J31	nephrite green				C51	graphite grey				
	M31	boxster red				S31	savanna				
	D12	dark grey				G11	metropole blue				
	T12	brown/natural				J31	nephrite green				
(13)	996 555 252 00	inner door release complete leather	/R 00	1		M31	boxster red				
	A11	black				D12	dark grey				
	C51	graphite grey				T12	brown/natural				
	S31	savanna				P12	cinnamon brown				
	G11	metropole blue				(13)	996 555 251 02	inner door release complete leather	/RL/L01	1	
	B51	space grey	00			A11	black				
	J31	nephrite green				C51	graphite grey				
	M31	boxster red				S31	savanna				
	D12	dark grey				G11	metropole blue				
	T12	brown/natural				J31	nephrite green				
(13)	996 555 251 01	inner door release complete leather	/LL/L01	1		M31	boxster red				
	A11	black				D12	dark grey				
						T12	brown/natural				

Model	Year	MG	SG	Illustration	Restrictions	Update	12:52	23.08.2006	PORSCHE	PET	PORSCHE
996	05	8	07	807-10		203					

Pos	Part Number	Name	Remarks	Qty	Model	Pos	Part Number	Name	Remarks	Qty	Model
(13)	996 555 252 02	P12 cinnamon brown inner door release complete leather	/RL/R01	1			J31 nephrite green M31 boxster red D12 dark grey T12 brown/natural P12 cinnamon brown				
(13)	996 555 251 03	A11 black C51 graphite grey S31 savanna G11 metropole blue J31 nephrite green M31 boxster red D12 dark grey T12 brown/natural P12 cinnamon brown inner door release complete leather	/LL/L02	1		(13)	996 555 251 04	A11 black C51 graphite grey S31 savanna G11 metropole blue J31 nephrite green M31 boxster red D12 dark grey T12 brown/natural P12 cinnamon brown	/RL/L02	1	
(13)	996 555 252 03	A11 black C51 graphite grey S31 savanna G11 metropole blue J31 nephrite green M31 boxster red D12 dark grey T12 brown/natural P12 cinnamon brown inner door release complete leather	/LL/R02	1		(13)	996 555 252 04	A11 black C51 graphite grey S31 savanna G11 metropole blue J31 nephrite green M31 boxster red D12 dark grey T12 brown/natural P12 cinnamon brown	/RL/R02	1	
(13)	996 555 252 03	A11 black C51 graphite grey S31 savanna G11 metropole blue inner door release complete leather	/LL/R02	1		(13)	996 555 251 05	A11 black C51 graphite grey S31 savanna G11 metropole blue inner door release complete leather	/LL/L03-	1	

Model	Year	MG	SG	Illustration	Restrictions	Update	12:52	23.08.2006	PORSCHE	PET	PORSCHE
996	05	8	07	807-10		203					

Pos	Part Number	Name	Remarks	Qty	Model	Pos	Part Number	Name	Remarks	Qty	Model
	A11	black					T12	brown/natural			
	C51	graphite grey					P12	cinnamon brown			
	S31	savanna				(13)	996 555 252 06	inner door release complete leather	/RL/R03-	1	
	G11	metropole blue					A11	black			
	J31	nephrite green					C51	graphite grey			
	M31	boxster red					S31	savanna			
	D12	dark grey					G11	metropole blue			
	T12	brown/natural					J31	nephrite green			
	P12	cinnamon brown					M31	boxster red			
(13)	996 555 252 05	inner door release complete leather	/LL/R03-	1			D12	dark grey			
	A11	black					T12	brown/natural			
	C51	graphite grey					P12	cinnamon brown			
	S31	savanna				14	999 703 440 40	buffer 7 X 10 X 16		2	
	G11	metropole blue				15	999 507 476 01	clamp 8 X 10 X16		12	
	J31	nephrite green				(16)	996 555 425 01	handle F >>99WS6 29813 F >>99XS6 00957 F >>99XS6 40512 F >>99XS6 52307	/L	1	
	M31	boxster red					V01	silver			
	D12	dark grey				(13)	996 555 251 06	inner door release complete leather	/RL/L03-	1	
	T12	brown/natural					F	>>99WS6 29813			
	P12	cinnamon brown					F	>>99XS6 00957			
	A11	black					F	>>99XS6 40512			
	C51	graphite grey					F	>>99XS6 52307			
	S31	savanna				16	996 555 426 01	handle F >>99WS6 29813 F >>99XS6 00957 F >>99XS6 40512 F >>99XS6 52307	/R	1	
	G11	metropole blue					V01	silver			
	J31	nephrite green				(16)	996 555 425 03	handle F 99WS6 29814>> F 99XS6 00958>> F 99XS6 40513>> F 99XS6 52308>>	/L -02	1	
	M31	boxster red					V01	silver			
	D12	dark grey									

Model	Year	MG	SG	Illustration	Restrictions	Update	12:52	23.08.2006	PORSCHE	PET	PORSCHE
996	05	8	07	807-10		203					

Pos	Part Number	Name	Remarks	Qty	Model	Pos	Part Number	Name	Remarks	Qty	Model
16	996 555 426 03	handle F 99WS6 29814>> F 99XS6 00958>> F 99XS6 40513>> F 99XS6 52308>> V01 silver	/R -02	1			C51	graphite grey			
(16)	996 555 425 04	handle V03 silver	/L 03-	1			S31	savanna			
16	996 555 426 04	handle V03 silver	/R 03-	1			G11	metropole blue			
17	999 166 084 02	bolt 4 X 39 X 37		2			B51	space grey	-00		
18	999 166 026 02	lock 4		2		27	996 555 592 00	cover handle leather	/R	1	
19	999 507 568 40	linkage clip F >>99WS6 29813 F >>99XS6 00957 F >>99XS6 40512 F >>99XS6 52307		2			J31	nephrite green			
(19)	999 702 281 40	grommet F 99WS6 29814>> F 99XS6 00958>> F 99XS6 40513>> F 99XS6 52308>>		2			M31	boxster red			
20	996 613 123 00	microswitch		2			D12	dark grey	00-		
21	999 073 113 09	oval-head screw M 6 X 50		2			T12	brown/natural	00-		
22	999 073 112 09	oval-head screw M 6 X 80		2			P12	cinnamon brown	01-		
23	999 073 061 02	tapping screw 4,8 X 16		2		(27)	996 555 988 02	cover carbon	/L 01-	1	XTL
24	999 522 015 00	tension spring		2		27	996 555 989 02	cover carbon	/R 01-	1	XTL
25	996 555 635 00	hose		2		29	999 920 011 40	special nut 5,0 X 2,0 X 8		4	
26	999 073 080 02	tapping screw 4,2 X 16		8		32	996 555 623 00	cap	-99	2	
(27)	996 555 591 00	cover handle leather A11 black	/L	1			01C	satin black			
						32	996 555 623 01	cap	00-02	2	
							V01	silver			

Model	Year	MG	SG	Illustration	Restrictions	Update	12:52	23.08.2006	PORSCHE	PET	PORSCHE
996	05	8	07	807-10		203					

Pos	Part Number	Name	Remarks	Qty	Model	Pos	Part Number	Name	Remarks	Qty	Model
32	996 555 623 02	cap	03-	2			EHY	boxster red	-99		
	V03	silver					A11	black			
33	999 067 043 02	pan-head screw M 5 X 10		1			C51	graphite grey			
(34)	996 555 221 00	cover leather	/L -02	1			S31	savanna			
	EHS	black	-99				G11	metropole blue			
	EHT	graphite grey	-99				B51	space grey	-00		
	EHU	savanna	-99				J31	nephrite green			
	EHV	metropole blue	-99				M31	boxster red			
	EHW	space grey	-99				D12	dark grey	00-		
	EHX	nephrite green	-99				T12	brown/natural	00-		
	EHY	boxster red	-99				P12	cinnamon brown	01-		
	A11	black				34	996 555 221 01	cover leather	/L 03-	1	
	C51	graphite grey					A11	black			
	S31	savanna					C51	graphite grey			
	G11	metropole blue					S31	savanna			
	B51	space grey	-00				G11	metropole blue			
	J31	nephrite green					J31	nephrite green			
	M31	boxster red					M31	boxster red			
	D12	dark grey	00-				P12	cinnamon brown			
	T12	brown/natural	00-				D12	dark grey/natural			
	P12	cinnamon brown	01-				T12	brown/natural			
34	996 555 222 00	cover leather	/R -02	1		(34)	996 555 222 01	cover leather	/R 03-	1	
	EHS	black	-99				A11	black			
	EHT	graphite grey	-99				C51	graphite grey			
	EHU	savanna	-99				S31	savanna			
	EHV	metropole blue	-99				G11	metropole blue			
	EHW	space grey	-99				J31	nephrite green			
	EHX	nephrite green	-99				M31	boxster red			

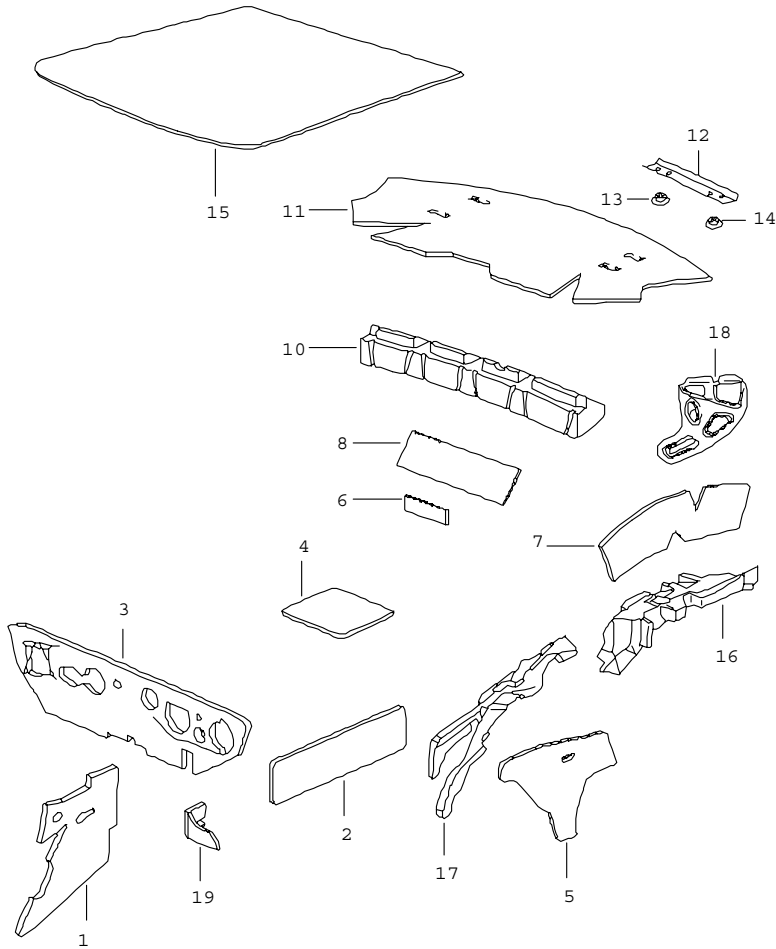
Model	Year	MG	SG	Illustration	Restrictions	Update	12:52	23.08.2006	PORSCHE	PET	PORSCHE
996	05	8	07	807-10		203					

Pos	Part Number	Name	Remarks	Qty	Model	Pos	Part Number	Name	Remarks	Qty	Model
	P12	cinnamon brown				35	996 555 611 02	handle lacquered	03-	2	
	D12	dark grey/natural					V03	silver			
	T12	brown/natural				(37)	996 555 441 00	end plate	/L	1	
34	996 555 980 00	cover rootwood light	/L01 -02	1	XTJ	37	996 555 442 00	end plate	/R	1	
34	996 555 980 04	cover rootwood light	/L 03-	1	XTJ	38	999 094 018 00	bolt		2	
(34)	996 555 981 00	cover rootwood light	/R01 -02	1	XTJ	39	999 073 081 02	tapping screw 4,2 X 13		4	
(34)	996 555 981 04	cover rootwood light	/R 03-	1	XTJ			- - - E N D - - -			
34	996 555 980 01	cover rootwood dark	/L01 -02	1	XTK						
34	996 555 980 05	cover rootwood dark	/L 03-	1	XTK						
(34)	996 555 981 01	cover rootwood dark	/R 01-02	1	XTK						
(34)	996 555 981 05	cover rootwood dark	/R 03-	1	XTK						
(34)	996 555 980 02	cover carbon	/L -02	1	XTL						
(34)	996 555 981 02	cover carbon	/R -02	1	XTL						
(34)	996 555 980 06	cover carbon	/L 03-	1	XTL						
(34)	996 555 981 06	cover carbon	/R 03-	1	XTL						
--	996 555 483 00	buffer		4							
35	996 555 611 01	handle lacquered	-02	2							
	V01	silver									



Model	Year	MG	SG	Illustration	Restrictions	Update	12:52	23.08.2006	PORSCHE	PET	PORSCHE
996	05	8	07	807-15		203					

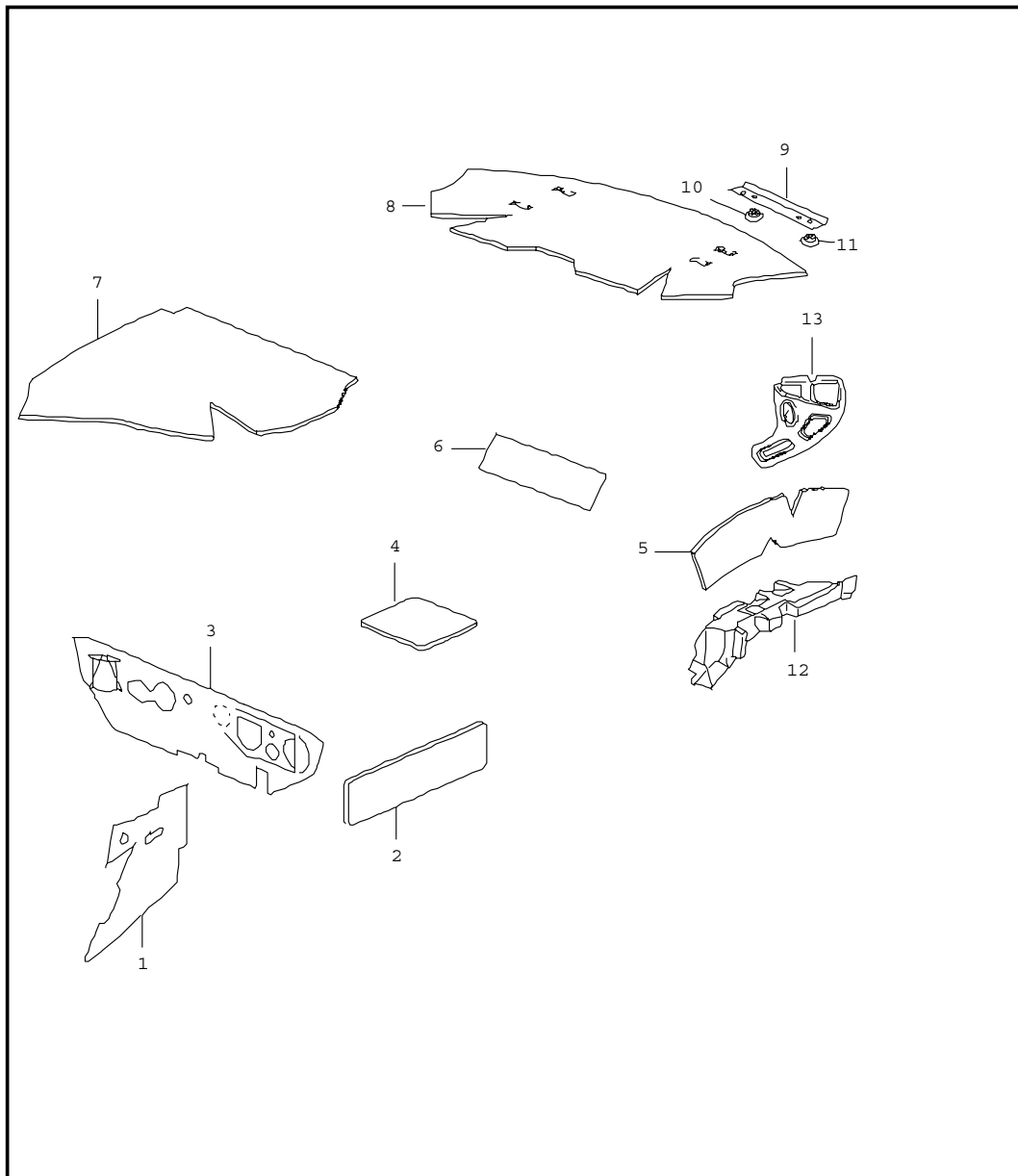
Pos	Part Number	Name	Remarks	Qty	Model
		body sound proofing 1			COUPE
1	996 556 605 01	sound absorber wheel housing front	/L	1	
(1)	996 556 606 01	sound absorber wheel housing front	/R	1	
2	996 556 531 01	insulation door in white		2	
3	996 556 723 01	sound absorber firewall	/LL	1	
(3)	996 556 724 01	sound absorber firewall	/RL	1	
4	996 556 503 01	insulation floor 228 X 230		1	
5	996 556 655 02	sound absorber	/L	1	
(5)	996 556 656 02	sound absorber side trim panel	/R	1	
6	996 556 503 01	insulation seat well it is necessary to rework 160 X 40	/L/R	1	
7	996 556 507 01	insulation	/H/L	1	
(7)	996 556 508 01	insulation wheel housing	/H/R	1	
8	996 556 511 01	insulation rear wall 430 X 120		1	
10	996 556 581 00	sound absorber rear wall	-01	1	
11	996 556 711 03	sound absorber F >>994S6 03928 F >>994S6 30356 engine compartment		1	
(11)	996 556 711 04	sound absorber F 994S6 03929>> F 994S6 30357>> engine compartment		1	
12	996 556 761 00	retaining strip engine compartment	-00	1	



Model	Year	MG	SG	Illustration	Restrictions	Update	12:52	23.08.2006	PORSCHE	PET	PORSCHE
996	05	8	07	807-15		203					

Pos	Part Number	Name	Remarks	Qty	Model	Pos	Part Number	Name	Remarks	Qty	Model
(12)	996 556 762 00	retaining strip engine compartment	-00	1	M 620						
(12)	996 556 761 01	retaining strip engine compartment	01-	1							
13	999 049 020 40	plastic nut T5/30 X 5,1 roof		5							
14	999 049 011 40	plastic nut T5/30 X 6,0 roof	-00	3							
15	996 556 647 01	sound absorber roof		1							
16	996 556 657 00	sound absorber wheel-housing liner	/H/L -02	1							
16	996 556 657 03	sound absorber wheel-housing liner	/H/L 03-	1							
(16)	996 556 658 00	sound absorber wheel-housing liner	/H/R -02	1							
(16)	996 556 658 03	sound absorber wheel-housing liner	/H/R 03-	1							
17	996 556 571 00	sound absorber	/L	1							
(17)	996 556 572 00	sound absorber side trim panel	/R	1							
(18)	996 556 753 01	seal	/L/O	1							
(18)	996 556 754 01	seal side section	/R/O	1							
--	996 556 811 01	filler piece	/L	1							
--	996 556 812 01	filler piece tray	/R	1							
		- - - E N D - - -									

Model	Year	MG	SG	Illustration	Restrictions	Update	12:52	23.08.2006	PORSCHE	PET	PORSCHE
996	05	8	07	807-16		203					



Pos	Part Number	Name	Remarks	Qty	Model
		body sound proofing 1			CABRIO
1	996 556 605 01	sound absorber wheel housing front	/L	1	
(1)	996 556 606 01	sound absorber wheel housing front	/R	1	
2	996 556 531 01	insulation door in white		2	
3	996 556 723 01	sound absorber firewall	/LL	1	
(3)	996 556 724 01	sound absorber firewall	/RL	1	
4	996 556 503 01	insulation floor 228 X 230		1	
--	996 556 503 01	insulation seat well 160 X 40	/L/R	1	
5	996 556 507 02	insulation wheel housing rear	/L	1	
(5)	996 556 508 02	insulation wheel housing rear	/R	1	
6	996 556 511 01	insulation rear wall 430 X 120		1	
(7)	996 556 611 00	sound absorber convertible top tray	-99	1	
(7)	996 556 611 02	sound absorber convertible top tray	/L 00-	1	
(7)	996 556 612 01	sound absorber convertible top tray	/R	1	
8	996 556 711 03	sound absorber F >>9946S 42725 F >>9946S 30356 engine compartment		1	

Model	Year	MG	SG	Illustration	Restrictions	Update	12:52	23.08.2006	PORSCHE	PET	PORSCHE
996	05	8	07	807-16		203					

Pos	Part Number	Name	Remarks	Qty	Model	Pos	Part Number	Name	Remarks	Qty	Model
(8)	996 556 711 04	sound absorber F 994S6 42726>> F 994S6 30357>> engine compartment		1							
9	996 556 761 00	retaining strip engine compartment	-00	2							
(9)	996 556 762 00	retaining strip engine compartment	-00	1	M 620						
9	996 556 761 01	retaining strip engine compartment	01-	1							
10	999 049 020 40	plastic nut T5/30 X 5,1		5							
11	999 049 011 40	plastic nut T5/30 X 6,0	-00	3							
12	996 556 657 02	sound absorber wheel-housing liner rear	/L -02	1							
12	996 556 657 04	sound absorber wheel-housing liner rear	/L 03-	1							
(12)	996 556 658 02	sound absorber wheel-housing liner rear	/R -02	1							
(12)	996 556 658 04	sound absorber wheel-housing liner rear	/R 03-	1							
13	996 556 653 00	sound absorber control units		1							
		- - - E N D - - -									

PORSCHE

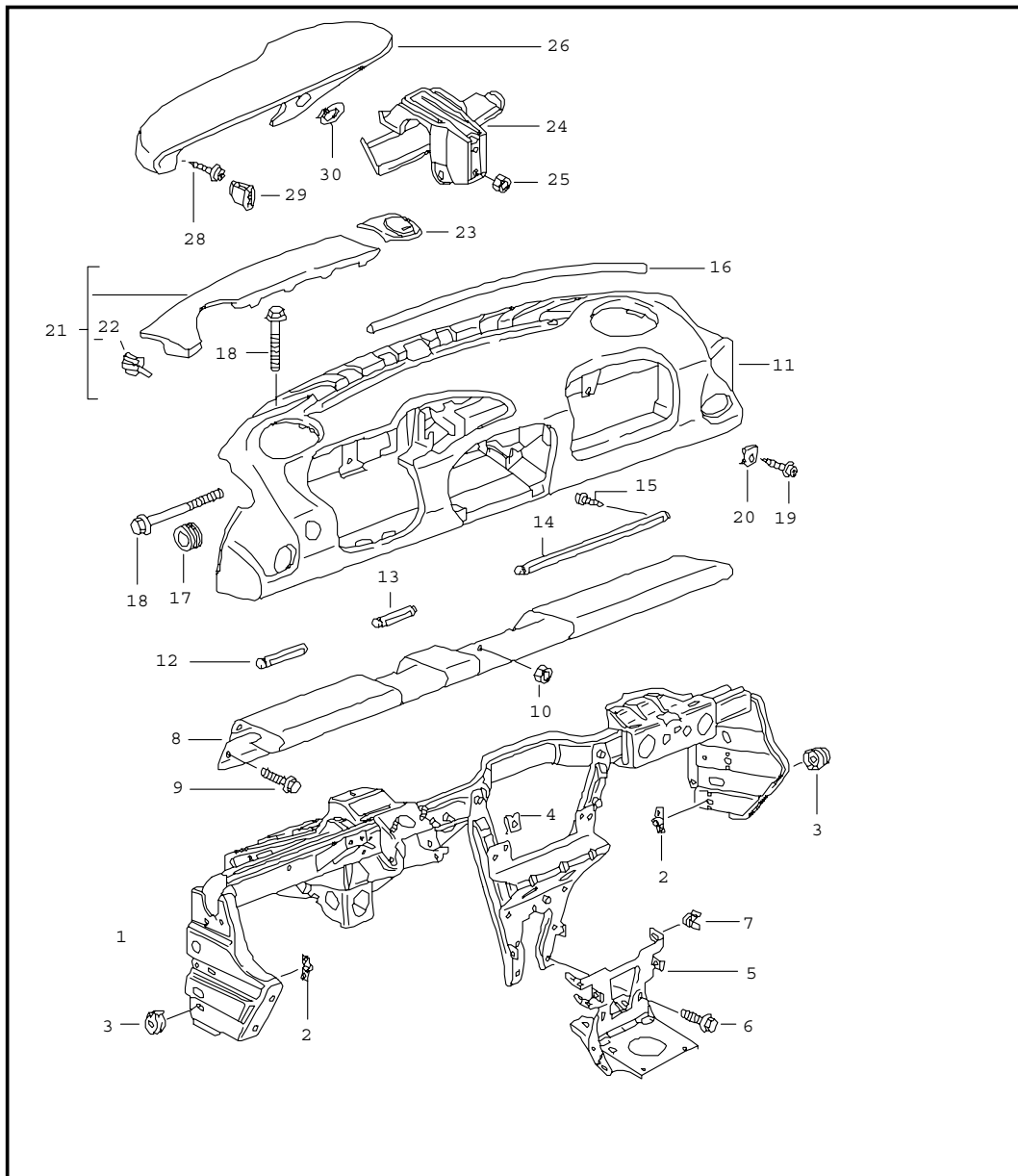
# PET

PORSCHE

Model	Year	MG	SG	Illustration	Restrictions	Update		
996	05	8	08	808-00		203	12:52	23.08.2006

Pos	Part Number	Name	Remarks	Qty	Model
		seat complete  see group 8/26/00 - 8/26/99 catalogue STZ 2 / 19  - - - E N D - - -			

Model	Year	MG	SG	Illustration	Restrictions	Update	12:52	23.08.2006	PORSCHE	PET	PORSCHE
996	05	8	09	809-00		203					



Pos	Part Number	Name	Remarks	Qty	Model
		dashboard trim with retaining frame			
1	996 552 061 12	retaining frame	/LL	1	
(1)	996 552 061 13	retaining frame	/RL	1	
2	996 552 805 00	threaded plate		4	
3	996 552 545 00	shim		4	
4	999 507 462 02	speed nut		9	
4	999 591 855 02	speed nut 4,8		1	
(5)	996 552 309 07	support	01-	1	
(5)	996 552 309 08	support	01-	1	M 476
6	900 378 155 09	hexagon-head tapping screw M 6 X 16		6	
7	999 507 574 02	clamp 8 X 10/1,2		4	
11	996 552 109 00	dashboard trim leatherette	/LL -99	1	
		A18 black			
		C18 graphite grey			
		S18 savanna			
		G18 metropole blue			
		B18 space grey			
(11)	996 552 110 00	dashboard trim leatherette	/RL -99	1	
		A18 black			
		C18 graphite grey			
		S18 savanna			
		G18 metropole blue			
		B18 space grey			
11	996 552 109 00	dashboard trim leatherette	/LL00-01	1	
		A12 black			

Model	Year	MG	SG	Illustration	Restrictions	Update	12:52	23.08.2006	PORSCHE	PET	PORSCHE
996	05	8	09	809-00		203					

Pos	Part Number	Name	Remarks	Qty	Model	Pos	Part Number	Name	Remarks	Qty	Model
	C52	graphite grey					C51	graphite grey			
	S32	savanna					S31	savanna			
	G12	metropole blue					G11	metropole blue			
	B52	space grey	00				B51	space grey	-00		
	J32	nephrite green	-03				J31	nephrite green			
(11)	996 552 110 00	dashboard trim leatherette	/RL00-01	1			M31	boxster red			
	A12	black					D12	dark grey/natural	00-		
	C52	graphite grey					T12	brown/natural	00-		
	S32	savanna					P12	cinnamon brown	01		
	G12	metropole blue				(11)	996 552 102 00	dashboard trim leather	/RL -01	1	
	B52	space grey	00				A11	black	-99		
	J32	nephrite green	-03				EVL	black	00-		
(11)	996 552 109 02	dashboard trim leatherette	/LL 02-	1			C51	graphite grey			
	A12	black					S31	savanna			
	C52	graphite grey					G11	metropole blue			
	S32	savanna					B51	space grey	-00		
	G12	metropole blue					J31	nephrite green			
	J32	nephrite green	-03				M31	boxster red			
(11)	996 552 110 02	dashboard trim leatherette	/RL 02-	1			D12	dark grey/natural	00-		
	A12	black					T12	brown/natural	00-		
	C52	graphite grey					P12	cinnamon brown	01		
	S32	savanna				11	996 552 101 01	dashboard trim leather with cut-outs glove compartment	/LL 02-	1	
	G12	metropole blue					A11	black			
	J32	nephrite green	-03				C51	graphite grey			
11	996 552 101 00	dashboard trim leather	/LL -01	1			S31	savanna			
	A11	black	-99				G11	metropole blue			
	EVL	black	00-				J31	nephrite green			

Model	Year	MG	SG	Illustration	Restrictions	Update	12:52	23.08.2006	PORSCHE	PET	PORSCHE
996	05	8	09	809-00		203					

Pos	Part Number	Name	Remarks	Qty	Model	Pos	Part Number	Name	Remarks	Qty	Model
	M31	boxster red				--	999 507 462 02	speed nut 4,8	02-	5	
	D12	dark grey				--	999 507 796 02	u-clamp 2,0	02-	3	
	T12	brown/natural				12	996 552 381 02	moulding driver's side lacquered	/LL/L	1	
	P12	cinnamon brown					D05	granite grey	-99		
(11)	996 552 102 01	dashboard trim leather with cut-outs glove compartment	/RL 02-	1			A03	black	00-		
	A11	black					C53	graphite grey	00-		
	C51	graphite grey					S33	savanna	00-		
	S31	savanna					G13	metropole blue	00-		
	G11	metropole blue					B13	space grey	00		
	J31	nephrite green					J33	nephrite green	00-		
	M31	boxster red					M33	boxster red	00-		
	D12	dark grey					P13	cinnamon brown	01-		
	T12	brown/natural				(12)	996 552 382 01	moulding driver's side lacquered	/RL/R	1	
	P12	cinnamon brown					D05	granite grey	-99		
--	999 551 145 40	lining strap 15 X 1,3 X 50		2			A03	black	00-		
--	999 507 768 02	speed nut 4,2		18			C53	graphite grey	00-		
--	999 507 533 02	clamp 8 X 10/2,5		23			S33	savanna	00-		
--	996 552 749 00	reinforcement strip	/LL 02-	1			G13	metropole blue	00-		
--	996 552 750 00	reinforcement strip driver's side	/RL 02-	1			B13	space grey	00		
--	996 552 753 00	reinforcement strip	/LL 02-	1	M 573		J33	nephrite green	00-		
--	996 552 754 00	reinforcement strip	/RL 02-	1	M 573		M33	boxster red	00-		
--	996 552 753 01	reinforcement strip	/LL 02-	1	M 574	12	996 552 381 04	moulding driver's side lacquered	/LL/L04	1	M 095
--	996 552 754 01	reinforcement strip glove compartment	/RL 02-	1	M 574		P13	cinnamon brown	01-		
--	999 073 169 07	tapping screw 4,8 X 16	02-	2			V03	sport silver			



Model	Year	MG	SG	Illustration	Restrictions	Update	12:52	23.08.2006	PORSCHE	PET	PORSCHE
996	05	8	09	809-00		203					

Pos	Part Number	Name	Remarks	Qty	Model	Pos	Part Number	Name	Remarks	Qty	Model
(12)	996 552 382 03	moulding driver's side lacquered	/RL/R04	1	M 095	(12)	996 552 997 04	moulding driver's side rootwood light	/RL/R01-	1	XNV
	V03	sport silver									
12	996 552 996 00	moulding driver's side leather	/LL/L01-	1	XNU	12	996 552 996 05	moulding driver's side rootwood dark	/LL/L01-	1	XNW
	A11	black				(12)	996 552 997 05	moulding driver's side rootwood dark	/RL/R01-	1	XNW
	C51	graphite grey									
	S31	savanna				12	996 552 996 01	moulding driver's side carbon	/LL/L01-	1	XNX
	G11	metropole blue									
	J31	nephrite green				(12)	996 552 997 01	moulding driver's side carbon	/RL/R01-	1	XNX
	M31	boxster red									
	D12	dark grey				12	996 552 996 03	moulding driver's side aluminium arctic silver	/LL/L01-	1	XNY
	T12	brown/natural									
	P12	cinnamon brown				(12)	996 552 997 03	moulding driver's side aluminium arctic silver	/RL/R01-	1	XNY
(12)	996 552 997 00	moulding driver's side leather	/RL/R01-	1	XNU	12	996 552 996 12	moulding aluminium driver's side silver	/LL/L03-	1	XCA
	A11	black									
	C51	graphite grey				(12)	996 552 997 12	moulding aluminium driver's side silver	/RL/R03-	1	XCA
	S31	savanna									
	G11	metropole blue				13	996 552 383 02	moulding centre lacquered	/LL	1	
	J31	nephrite green									
	M31	boxster red					D05	granite grey	-99		
	D12	dark grey					A03	black	00-		
	T12	brown/natural					C53	graphite grey	00-		
	P12	cinnamon brown					S33	savanna	00-		
12	996 552 996 04	moulding driver's side rootwood light	/LL/L01-	1	XNV		G13	metropole blue	00-		
							B13	space grey	00		

Model	Year	MG	SG	Illustration	Restrictions	Update	12:52	23.08.2006	PORSCHE	PET	PORSCHE
996	05	8	09	809-00		203					

Pos	Part Number	Name	Remarks	Qty	Model	Pos	Part Number	Name	Remarks	Qty	Model
	J33	nephrite green	-03				T12	brown/natural			
	M33	boxster red	00-				P12	cinnamon brown			
	P13	cinnamon brown	01-			(13)	996 552 998 01	moulding centre leather	/RL 01-	1	XNU
(13)	996 552 384 01	moulding centre lacquered	/RL	1			A11	black			
	D05	granite grey	-99				C51	graphite grey			
	A03	black	00-				S31	savanna			
	C53	graphite grey	00-				G11	metropole blue			
	S33	savanna	00-				J31	nephrite green			
	G13	metropole blue	00-				M31	boxster red			
	B13	space grey	00				D12	dark grey			
	J33	nephrite green	-03				T12	brown/natural			
	M33	boxster red	00-				P12	cinnamon brown			
	P13	cinnamon brown	01-			13	996 552 998 08	moulding centre rootwood light	/LL 01-	1	XNV
13	996 552 383 03	moulding centre lacquered	/LL 04	1	M 095	(13)	996 552 998 09	moulding centre rootwood light	/RL 01-	1	XNV
	V03	sport silver									
(13)	996 552 384 02	moulding centre lacquered	/RL 04	1	M 095	13	996 552 998 06	moulding centre aluminium arctic silver	/LL01-02	1	XNY
	V03	sport silver									
13	996 552 998 00	moulding centre leather	/LL 01-	1	XNU	(13)	996 552 998 07	moulding centre aluminium arctic silver	/RL01-02	1	XNY
	A11	black									
	C51	graphite grey				13	996 552 998 14	moulding aluminium centre silver	/LL 03-	1	XCA
	S31	savanna									
	G11	metropole blue				(13)	996 552 998 15	moulding aluminium centre silver	/RL 03-	1	XCA
	J31	nephrite green									
	M31	boxster red									
	D12	dark grey									

Model	Year	MG	SG	Illustration	Restrictions	Update	12:52	23.08.2006	PORSCHE	PET	PORSCHE
996	05	8	09	809-00		203					

Pos	Part Number	Name	Remarks	Qty	Model	Pos	Part Number	Name	Remarks	Qty	Model
13	996 552 998 10	moulding centre rootwood dark	/LL 01-	1	XNW	14	996 552 385 03	moulding passenger's side lacquered	/LL/R01-	1	
(13)	996 552 998 11	moulding centre rootwood dark	/RL 01-	1	XNW		A03	black			
							C53	graphite grey			
							S33	savanna			
13	996 552 998 02	moulding centre carbon	/LL 01-	1	XNX		G13	metropole blue			
(13)	996 552 998 03	moulding centre carbon	/RL 01-	1	XNX		J33	nephrite green	-03		
							M33	boxster red			
							P13	cinnamon brown			
14	996 552 385 02	moulding passenger's side lacquered	/LL/R-00	1		(14)	996 552 386 03	moulding passenger's side lacquered	/RL/L01-	1	
	D05	granite grey	-99				A03	black			
	A03	black	00				C53	graphite grey			
	C53	graphite grey	00				S33	savanna			
	S33	savanna	00				G13	metropole blue			
	G13	metropole blue	00				J33	nephrite green	-03		
	B13	space grey	00				M33	boxster red			
	J33	nephrite green	00				P13	cinnamon brown			
	M33	boxster red	00			14	996 552 385 04	moulding passenger's side lacquered	/LL/L04	1	M 095
(14)	996 552 386 02	moulding passenger's side lacquered	/RL/L-00	1			V03	sport silver			
	D05	granite grey	-99			(14)	996 552 386 04	moulding passenger's side lacquered	/RL/R04	1	M 095
	A03	black	00				V03	sport silver			
	C53	graphite grey	00			14	996 552 959 00	moulding passenger's side leather	/LL/R01-	1	XNU
	S33	savanna	00				A11	black			
	G13	metropole blue	00				C51	graphite grey			
	B13	space grey	00				S31	savanna			
	J33	nephrite green	00								
	M33	boxster red	00								

Model	Year	MG	SG	Illustration	Restrictions	Update	12:52	23.08.2006	PORSCHE	PET	PORSCHE
996	05	8	09	809-00		203					

Pos	Part Number	Name	Remarks	Qty	Model	Pos	Part Number	Name	Remarks	Qty	Model
	G11	metropole blue				(14)	996 552 959 07	moulding passenger's side carbon	/RL/L01-	1	XNX
	J31	nephrite green									
	M31	boxster red				14	996 552 959 08	moulding passenger's side aluminium arctic silver	/LL/R-02	1	XNY
	D12	dark grey									
	T12	brown/natural				(14)	996 552 959 09	moulding passenger's side aluminium arctic silver	/RL/L-02	1	XNY
	P12	cinnamon brown	01-								
(14)	996 552 959 01	moulding passenger's side leather	/RL/L01-	1	XNU	14	996 552 959 10	moulding aluminium passenger's side silver	/LL 03-	1	XCA
	A11	black									
	C51	graphite grey				(14)	996 552 959 11	moulding aluminium passenger's side silver	/RL/L03-	1	XCA
	S31	savanna									
	G11	metropole blue									
	J31	nephrite green				15	999 919 203 07	oval-head screw 3 X 10		11	
	M31	boxster red				16	996 552 645 00	gasket cowl		1	
	D12	dark grey				17	999 703 466 40	cover 15,0 X 25,5		2	
	T12	brown/natural				(17)	999 703 466 40	plug 15,0 X 5,0		2	
	P12	cinnamon brown	01-								
14	996 552 959 02	moulding passenger's side rootwood light	/LL/R01-	1	XNV	18	999 074 057 09	hexagon-head bolt M 8 X 125		4	
(14)	996 552 959 03	moulding passenger's side rootwood light	/RL/L01-	1	XNV	19	999 073 169 07	tapping screw 4,8 X 16		11	
14	996 552 959 04	moulding passenger's side rootwood dark	/LL/R01-	1	XNW	20	999 507 462 02	speed nut 4,8		10	
(14)	996 552 959 05	moulding passenger's side rootwood dark	/RL/L01-	1	XNW	21	996 552 185 04	defroster trim lacquered	/L	1	
14	996 552 959 06	moulding passenger's side carbon	/LL/R01-	1	XNX		D05	granite grey	-99		
							A03	black	00-		
							C53	graphite grey	00-		
							S33	savanna	00-		
							G13	metropole blue	00-		

Model	Year	MG	SG	Illustration	Restrictions	Update	12:52	23.08.2006	PORSCHE	PET	PORSCHE
996	05	8	09	809-00		203					

Pos	Part Number	Name	Remarks	Qty	Model	Pos	Part Number	Name	Remarks	Qty	Model
	B13	space grey	00				J31	nephrite green			
	J33	nephrite green	00-				M31	boxster red			
	M33	boxster red	00-				G11	metropole blue			
	P13	cinnamon brown	01-				D12	dark grey			
(21)	996 552 186 04	defroster trim lacquered	/R	1			T12	brown/natural			
	D05	granite grey	-99				P12	cinnamon brown			
	A03	black	00-			21	996 552 988 04	defroster trim carbon leather	/L 01-	1	XXJ
	C53	graphite grey	00-				VRK	black			
	S33	savanna	00-				C51	graphite grey			
	G13	metropole blue	00-				S31	savanna			
	B13	space grey	00				J31	nephrite green			
	J33	nephrite green	00-				M31	boxster red			
	M33	boxster red	00-				G11	metropole blue			
	P13	cinnamon brown	01-				D12	dark grey			
21	996 552 988 05	defroster trim leather	/L 01-	1	XV1		T12	brown/natural			
	VRK	black					P12	cinnamon brown			
	C51	graphite grey				(21)	996 552 989 04	defroster trim carbon leather	/R 01-	1	XXJ
	S31	savanna					VRK	black			
	J31	nephrite green					C51	graphite grey			
	M31	boxster red					S31	savanna			
	G11	metropole blue					J31	nephrite green			
	D12	dark grey					M31	boxster red			
	T12	brown/natural					G11	metropole blue			
	P12	cinnamon brown					D12	dark grey			
(21)	996 552 989 05	defroster trim leather	/R 01-	1	XV1		T12	brown/natural			
	VRK	black					P12	cinnamon brown			
	C51	graphite grey									
	S31	savanna				22	999 507 531 02	clamp 1,8-2,8	98	2	

Model	Year	MG	SG	Illustration	Restrictions	Update	12:52	23.08.2006	PORSCHE	PET	PORSCHE
996	05	8	09	809-00		203					

Pos	Part Number	Name	Remarks	Qty	Model	Pos	Part Number	Name	Remarks	Qty	Model
22	999 507 685 02	clamp 1,8-5,0	99-	2		26	996 552 059 02	cover instruments	/LL -99	1	
23	996 552 181 04	cover		1			EFM	black			
	D05	granite grey	-99				EFN	graphite grey			
	A03	black	00-				EFO	savanna			
	C53	graphite grey	00-				EFP	metropole blue			
	S33	savanna	00-				EFQ	space grey			
	G13	metropole blue	00-			(26)	996 552 060 02	cover leatherette instruments	/RL -99	1	
	B13	space grey	00				EFM	black			
	J33	nephrite green	00-				EFN	graphite grey			
	M33	boxster red	00-				EFO	savanna			
	P13	cinnamon brown	01-				EFP	metropole blue			
23	996 552 990 02	cover light leather	01-	1	XV1		EFQ	space grey			
	VRK	black				26	996 552 059 02	cover leatherette	/LL 00-	1	
	C51	graphite grey					EUD	black			
	S31	savanna					EUE	graphite grey			
	J31	nephrite green					EUF	savanna			
	M31	boxster red					EUG	metropole blue			
	G11	metropole blue					EUH	space grey	00		
	D12	dark grey					EWB	nephrite green	01-		
	T12	brown/natural				(26)	996 552 060 02	cover leatherette	/RL 00-	1	
	P12	cinnamon brown					EUD	black			
24	996 552 617 03	support	/LL	1			EUE	graphite grey			
(24)	996 552 618 02	support instrument wiring harness	/RL	1			EUF	savanna			
--	999 591 883 02	speed nut 4,8		2			EUG	metropole blue			
25	900 380 015 09	hexagon nut M 6		2			EUH	space grey	00		
							EWB	nephrite green	01-		

Model	Year	MG	SG	Illustration	Restrictions	Update	12:52	23.08.2006	PORSCHE	PET	PORSCHE
996	05	8	09	809-00		203					

Pos	Part Number	Name	Remarks	Qty	Model	Pos	Part Number	Name	Remarks	Qty	Model
26	996 552 025 01	cover instruments leather	/LL -99	1		(26)	996 552 026 01	cover leather	/RL -02	1	
	EDQ	black					ETQ	black			
	EDR	graphite grey					EUR	graphite grey			
	EDS	savanna					EUS	savanna			
	EDT	metropole blue					EUT	metropole blue			
	EDU	space grey					EUU	space grey	00		
	EDV	nephrite green					EUV	nephrite green			
	EDW	boxster red					EUW	boxster red			
(26)	996 552 026 01	cover instruments leather	/RL -99	1			VRP	dark grey			
	EDQ	black					VRQ	brown/natural			
	EDR	graphite grey					FEJ	cinnamon brown	01-		
	EDS	savanna				26	996 552 025 02	cover instruments	/LL 03-	1	
	EDT	metropole blue					ETQ	black			
	EDU	space grey					EUR	graphite grey			
	EDV	nephrite green					EUS	savanna			
	EDW	boxster red					EUT	metropole blue			
26	996 552 025 01	cover leather	/LL -02	1			EUV	nephrite green			
	ETQ	black					EUW	boxster red			
	EUR	graphite grey					FEJ	cinnamon brown			
	EUS	savanna					VRP	dark grey/natural			
	EUT	metropole blue					VRQ	brown/natural			
	EUU	space grey	00			(26)	996 552 026 02	cover instruments	/RL 03-	1	
	EUV	nephrite green					ETQ	black			
	EUW	boxster red					EUR	graphite grey			
	VRP	dark grey					EUS	savanna			
	VRQ	brown/natural					EUT	metropole blue			
	FEJ	cinnamon brown	01-				EUV	nephrite green			
							EUW	boxster red			

Model	Year	MG	SG	Illustration	Restrictions	Update	12:52	23.08.2006	PORSCHE	PET	PORSCHE
996	05	8	09	809-00		203					

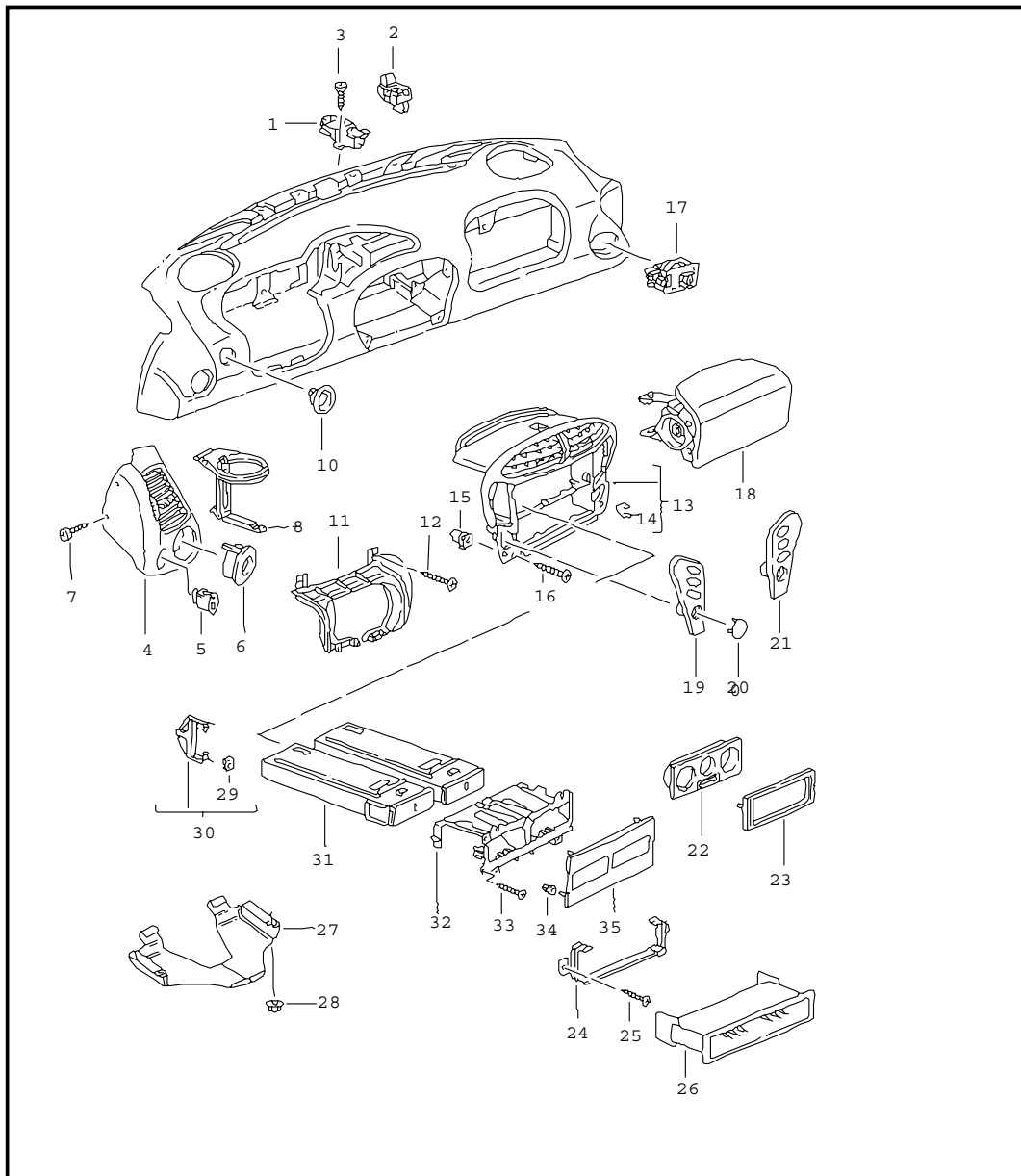
Pos	Part Number	Name	Remarks	Qty	Model	Pos	Part Number	Name	Remarks	Qty	Model
	FEJ	cinnamon brown					A10	black	-99		
	VRP	dark grey/natural					D05	granite grey	-99		
	VRQ	brown/natural					A03	black			
28	999 919 188 09	oval-head screw 5,0 X 30	-00	2			C53	graphite grey	00-		
(28)	999 073 220 09	tapping screw 4,8 X 25	01-	2			S33	savanna	00-		
29	996 552 625 02	cover microphone	/LL	1			G13	metropole blue	00-		
	D05	granite grey	-99				B13	space grey	00		
	A03	black	00-				J33	nephrite green	00-		
	C53	graphite grey	00-				M33	boxster red	00-		
	S33	savanna	00-				P13	cinnamon brown	01-		
	G13	metropole blue	00-			(30)	996 552 470 01	rose hazard warning light sw. lacquered	/RL	1	
	B13	space grey	00				A10	black	-99		
	J33	nephrite green	00-				D05	granite grey	-99		
	M33	boxster red	00-				A03	black			
	P13	cinnamon brown	01-				C53	graphite grey	00-		
(29)	996 552 626 02	cover lacquered microphone	/RL	1			S33	savanna	00-		
	D05	granite grey	-99				G13	metropole blue	00-		
	A03	black	00-				B13	space grey	00		
	C53	graphite grey	00-				J33	nephrite green	00-		
	S33	savanna	00-				M33	boxster red	00-		
	G13	metropole blue	00-			30	996 552 469 01	rose hazard warning light sw. lacquered	/LL	00	1 XNG/M094
	B13	space grey	00				A03	black			
	J33	nephrite green	00-			(30)	996 552 470 01	rose hazard warning light sw. lacquered	/RL	00	1 XNG/M094
	M33	boxster red	00-				A03	black			
	P13	cinnamon brown	01-								
30	996 552 469 01	rose hazard warning light sw. lacquered	/LL	1							



Model	Year	MG	SG	Illustration	Restrictions	Update	12:52	23.08.2006	PORSCHE	PET	PORSCHE
996	05	8	09	809-00		203					

Pos	Part Number	Name	Remarks	Qty	Model	Pos	Part Number	Name	Remarks	Qty	Model
30	996 552 966 00	rose hazard warning light sw. leather	/LL 01-	1							
	A11	black									
	C51	graphite grey									
	S31	savanna									
	G11	metropole blue									
	J31	nephrite green	-03								
	M31	boxster red									
	P12	cinnamon brown									
	D12	dark grey/natural									
	T12	brown/natural									
(30)	996 552 966 01	rose hazard warning light sw. leather	/RL 01-	1							
	A11	black									
	C51	graphite grey									
	S31	savanna									
	G11	metropole blue									
	J31	nephrite green	-03								
	M31	boxster red									
	P12	cinnamon brown									
	D12	dark grey/natural									
	T12	brown/natural									
		- - - E N D - - -									

Model	Year	MG	SG	Illustration	Restrictions	Update	12:53	23.08.2006	PORSCHE	PET	PORSCHE
996	05	8	09	809-01		203					



Pos	Part Number	Name	Remarks	Qty	Model
		accessories dashboard trim	-01		
1	996 552 541 02	mounting light		1	
2	996 653 251 00	sensor		1	M 534/535
3	999 919 120 09	oval-head screw 4,0 X 18		2	
4	996 552 225 05	side vent lacquered	/L	1	
	D05	granite grey	-99		
	A03	black	00-		
	C53	graphite grey	00-		
	S33	savanna	00-		
	G13	metropole blue	00-		
	B13	space grey	00		
	J33	nephrite green	00-		
	M33	boxster red	00-		
	P13	cinnamon brown	01-		
(4)	996 552 228 05	side vent lacquered	/R	1	
	D05	granite grey	-99		
	A03	black	00-		
	C53	graphite grey	00-		
	S33	savanna	00-		
	G13	metropole blue	00-		
	B13	space grey	00		
	J33	nephrite green	00-		
	M33	boxster red	00-		
	P13	cinnamon brown	01-		
4	996 552 984 00	side vent leather	/L 01-	1	XN3
	VRK	black			

Model	Year	MG	SG	Illustration	Restrictions	Update	12:53	23.08.2006	PORSCHE	PET	PORSCHE
996	05	8	09	809-01		203					

Pos	Part Number	Name	Remarks	Qty	Model	Pos	Part Number	Name	Remarks	Qty	Model
	C51	graphite grey				(4)	996 552 985 03	side vent carbon leather	/R 01-	1	XKD
	S31	savanna									
	G11	metropole blue					VRK	black			
	J31	nephrite green					C51	graphite grey			
	M31	boxster red					S31	savanna			
	D12	dark grey					J31	nephrite green			
	T12	brown/natural					M31	boxster red			
	P12	cinnamon brown					G11	metropole blue			
(4)	996 552 985 00	side vent leather	/R 01-	1	XN3		D12	dark grey			
	VRK	black					T12	brown/natural			
	C51	graphite grey					P12	cinnamon brown			
	S31	savanna				4	996 552 984 01	side vent rootwood light leather	/L 01-	1	XKB
	G11	metropole blue					VRK	black			
	J31	nephrite green					C51	graphite grey			
	M31	boxster red					S31	savanna			
	D12	dark grey					J31	nephrite green			
	T12	brown/natural					M31	boxster red			
	P12	cinnamon brown					G11	metropole blue			
4	996 552 984 03	side vent carbon leather	/L 01-	1	XKD		D12	dark grey			
	VRK	black					T12	brown/natural			
	C51	graphite grey					P12	cinnamon brown			
	S31	savanna				(4)	996 552 985 01	side vent rootwood light leather	/R 01-	1	XKB
	J31	nephrite green					VRK	black			
	M31	boxster red					C51	graphite grey			
	G11	metropole blue					S31	savanna			
	D12	dark grey					J31	nephrite green			
	T12	brown/natural									
	P12	cinnamon brown									

Model	Year	MG	SG	Illustration	Restrictions	Update	12:53	23.08.2006	PORSCHE	PET	PORSCHE
996	05	8	09	809-01		203					

Pos	Part Number	Name	Remarks	Qty	Model	Pos	Part Number	Name	Remarks	Qty	Model
	M31	boxster red				4	996 552 984 03	side vent carbon leather	/L 01-	1	XKD
	G11	metropole blue									
	D12	dark grey					VRK	black			
	T12	brown/natural					C51	graphite grey			
	P12	cinnamon brown					S31	savanna			
4	996 552 984 02	side vent rootwood dark leather	/L 01-	1	XKC		J31	nephrite green			
	VRK	black					M31	boxster red			
	C51	graphite grey					G11	metropole blue			
	S31	savanna					D12	dark grey			
	J31	nephrite green					T12	brown/natural			
	M31	boxster red					P12	cinnamon brown			
	G11	metropole blue				(4)	996 552 985 03	side vent carbon leather	/R 01-	1	XKD
	D12	dark grey									
	T12	brown/natural					VRK	black			
	P12	cinnamon brown					C51	graphite grey			
(4)	996 552 985 02	side vent rootwood dark leather	/R 01-	1	XKC		S31	savanna			
	VRK	black					J31	nephrite green			
	C51	graphite grey					M31	boxster red			
	S31	savanna					G11	metropole blue			
	J31	nephrite green					D12	dark grey			
	M31	boxster red					T12	brown/natural			
	G11	metropole blue					P12	cinnamon brown			
	D12	dark grey				4	996 552 984 05	side vent arctic silver leather	/L 01-	1	XKE
	T12	brown/natural									
	P12	cinnamon brown					VRK	black			
							C51	graphite grey			
							S31	savanna			
							J31	nephrite green			
							M31	boxster red			

Model	Year	MG	SG	Illustration	Restrictions	Update	12:53	23.08.2006	PORSCHE	PET	PORSCHE
996	05	8	09	809-01		203					

Pos	Part Number	Name	Remarks	Qty	Model	Pos	Part Number	Name	Remarks	Qty	Model
	G11	metropole blue					C51	graphite grey			
	D12	dark grey					S31	savanna			
	T12	brown/natural					J31	nephrite green			
	P12	cinnamon brown					M31	boxster red			
(4)	996 552 985 05	side vent arctic silver leather	/R 01-	1	XKE		G11	metropole blue			
	VRK	black					D12	dark grey			
	C51	graphite grey					T12	brown/natural			
	S31	savanna				5	996 552 986 01	cover headlight levelling system rootwood light	01	2	XKB
	J31	nephrite green									
	M31	boxster red				5	996 552 986 02	cover headlight levelling system rootwood dark	01	2	XKC
	G11	metropole blue									
	D12	dark grey				5	996 552 986 03	cover headlight levelling system carbon	01	2	XKD
	T12	brown/natural									
	P12	cinnamon brown				6	996 552 417 02	rose interior sensor lacquered		1	
5	996 552 621 01	cover headlight levelling system lacquered		1							
	D05	granite grey	-99				D05	granite grey	-99		
	A03	black	00-				A03	black	00-		
	C53	graphite grey	00-				C53	graphite grey	00-		
	S33	savanna	00-				S33	savanna	00-		
	G13	metropole blue	00-				G13	metropole blue	00-		
	B13	space grey	00				B13	space grey	00		
	J33	nephrite green	00-				J33	nephrite green	00-		
	M33	boxster red	00-				M33	boxster red	00-		
	P13	cinnamon brown	01-				P13	cinnamon brown	01-		
5	996 552 986 00	cover headlight levelling system leather	01-	1	XNH/XN3	6	996 552 987 00	rose interior sensor leather	01-	1	XNH
	A11	black					A11	black			

Model	Year	MG	SG	Illustration	Restrictions	Update	12:53	23.08.2006	PORSCHE	PET	PORSCHE
996	05	8	09	809-01		203					

Pos	Part Number	Name	Remarks	Qty	Model	Pos	Part Number	Name	Remarks	Qty	Model
	C51	graphite grey					C53	graphite grey	00-		
	S31	savanna					S33	savanna	00-		
	J31	nephrite green					G13	metropole blue	00-		
	M31	boxster red					B13	space grey	00		
	G11	metropole blue					J33	nephrite green	00-		
	D12	dark grey					M33	boxster red	00-		
	T12	brown/natural					P13	cinnamon brown	01-		
	P12	cinnamon brown				10	996 552 980 00	rose ignition starter lock leather	/LL 01-	1	M XJ4
7	999 919 120 09	oval-head screw 4,0 X 18	-00	4			A11	black			
7	999 073 218 09	tapping screw 4,2 X 16	01-	4			C51	graphite grey			
8	986 552 183 00	support	/L -99	1			S31	savanna			
	01C	satin black					G11	metropole blue			
(8)	986 552 184 00	support beverages	/R -99	1			J31	nephrite green			
	01C	satin black					M31	boxster red			
10	996 552 235 03	rose ignition starter lock	/LL	1			P12	cinnamon brown			
	D05	granite grey	-99				D12	dark grey/natural			
	A03	black	00-			(10)	996 552 980 01	rose ignition starter lock leather	/RL 01-	1	M XJ4
	C53	graphite grey	00-				A11	black			
	S33	savanna	00-				C51	graphite grey			
	G13	metropole blue	00-				S31	savanna			
	B13	space grey	00				G11	metropole blue			
	J33	nephrite green	00-				J31	nephrite green			
	M33	boxster red	00-				M31	boxster red			
	P13	cinnamon brown	01-				P12	cinnamon brown			
(10)	996 552 236 03	rose ignition starter lock	/RL	1			D12	dark grey/natural			
	D05	granite grey	-99				T12	brown/natural			
	A03	black	00-								

Model	Year	MG	SG	Illustration	Restrictions	Update	12:53	23.08.2006	PORSCHE	PET	PORSCHE
996	05	8	09	809-01		203					

Pos	Part Number	Name	Remarks	Qty	Model	Pos	Part Number	Name	Remarks	Qty	Model
11	996 552 271 03	cover steering		1			S33	savanna	00-		
	A03	black					G13	metropole blue	00-		
	C53	graphite grey					B13	space grey	00		
	S33	savanna					J33	nephrite green	00-		
	G13	metropole blue					M33	boxster red	00-		
	J33	nephrite green					P13	cinnamon brown	01		
	M33	boxster red				(13)	996 552 131 05	support frame	99-01	1	M 662
	P13	cinnamon brown					EJK	granite grey	99		
11	986 552 988 03	cover steering leather	01-	1	XNS		A03	black	00-		
	VRK	black					C53	graphite grey	00-		
	S31	savanna					S33	savanna	00-		
	G11	metropole blue					G13	metropole blue	00-		
	J31	nephrite green					B13	space grey	00		
	M31	boxster red					J33	nephrite green	00-		
	D12	dark grey/natural					M33	boxster red	00-		
	T12	brown/natural					P13	cinnamon brown	01		
	C51	graphite grey				(13)	996 552 969 08	support frame	01	1	XNN
	P12	cinnamon brown					A11	black			
12	999 919 123 09	oval-head screw 5,0 X 20		8			C51	graphite grey			
							S31	savanna			
13	996 552 131 02	support frame	98	1			S31	savanna			
	EJK	granite grey					G11	metropole blue			
(13)	996 552 131 03	support frame	98	1	M 662		J31	nephrite green			
	EJK	granite grey					M31	boxster red			
13	996 552 131 04	support frame	99-01	1			D12	dark grey			
	EJK	granite grey	99				T12	brown/natural			
	A03	black	00-				P12	cinnamon brown			
	C53	graphite grey	00-			(13)	996 552 969 09	support frame leather	01	1	XNN:M 662
							A11	black			

Model	Year	MG	SG	Illustration	Restrictions	Update	12:53	23.08.2006	PORSCHE	PET	PORSCHE
996	05	8	09	809-01		203					

Pos	Part Number	Name	Remarks	Qty	Model	Pos	Part Number	Name	Remarks	Qty	Model
	C51	graphite grey					P13	cinnamon brown	01		
	S31	savanna				(13)	996 552 969 12	support frame rootwood	01	1	XKS
	S31	savanna					01C	satin black			
	G11	metropole blue					C53	graphite grey			
	J31	nephrite green					S33	savanna			
	M31	boxster red					G13	metropole blue			
	D12	dark grey					J33	nephrite green			
	T12	brown/natural					M33	boxster red			
	P12	cinnamon brown					D12	dark grey			
(13)	996 552 969 10	support frame rootwood	01	1	XKR		T12	brown/natural			
	01C	satin black					P13	cinnamon brown			
	C53	graphite grey				(13)	996 552 969 13	support frame dark rootwood	01	1	XKS:M 662
	S33	savanna					01C	satin black			
	G13	metropole blue					C53	graphite grey			
	J33	nephrite green					S33	savanna			
	M33	boxster red					G13	metropole blue			
	D12	dark grey	00-				J33	nephrite green			
	T12	brown/natural	00-				M33	boxster red			
	P13	cinnamon brown	01				D12	dark grey			
(13)	996 552 969 11	support frame light rootwood	01	1	XKR:M 662		T12	brown/natural			
	01C	satin black					P13	cinnamon brown			
	C53	graphite grey				(13)	996 552 969 14	support frame carbon	01	1	XNR
	S33	savanna					01C	satin black			
	G13	metropole blue					C53	graphite grey			
	J33	nephrite green					S33	savanna			
	M33	boxster red					G13	metropole blue			
	D12	dark grey	00-				J33	nephrite green			
	T12	brown/natural	00-								



Model	Year	MG	SG	Illustration	Restrictions	Update	12:53	23.08.2006	PORSCHE	PET	PORSCHE
996	05	8	09	809-01		203					

Pos	Part Number	Name	Remarks	Qty	Model	Pos	Part Number	Name	Remarks	Qty	Model
	M33	boxster red				16	999 919 123 09	oval-head screw 5,0 X 20	-00	4	
	D12	dark grey	00-			16	999 073 218 09	tapping screw 4,2 X 16	01	4	
	T12	brown/natural	00-			17	996 653 241 00	interior sensor side vent		1	M 573
(13)	996 552 969 15	support frame carbon	01	1	XNR:M 662	18	--- --- --- --	see group 4/03/06		1	
	01C	satin black				19	996 552 233 03	trim for switch upper part/lower part	/L 98	1	
	C53	graphite grey					D05	granite grey/granite grey			
	S33	savanna					EFY	granite grey/graphite grey			
	G13	metropole blue					EFZ	granite grey/savanna			
	J33	nephrite green					EJG	granite grey/metrop. blue			
	M33	boxster red					EJH	granite grey/space grey			
	D12	dark grey	00-			19	996 552 233 04	trim for switch upper part/lower part	/L 99-01	1	
	T12	brown/natural	00-				D05	granite grey/granite grey	99		
	P13	cinnamon brown	01				EFY	granite grey/graphite grey	99		
(13)	996 552 969 16	support frame arctic silver	01	1	XKW		EFZ	granite grey/savanna	99		
	92T	arctic silver					EJG	granite grey/metrop. blue	99		
(13)	996 552 969 17	support frame arctic silver	01	1	XKW:M 662		EJH	granite grey/space grey	99		
	92T	arctic silver					A03	black	00-		
14	999 507 533 02	clamp 8/2,5		4			C53	graphite grey	00-		
(15)	999 920 015 40	special nut 4,0 X 4,0 X 9	-99	11			S33	savanna	00-		
15	999 920 012 40	special nut 5,0 X 3,5 X 8		4			G13	metropole blue	00-		
(15)	999 507 744 01	speed nut 4,2	-00	18			B13	space grey	00		
(15)	999 507 768 02	speed nut 4,2	01	16			J33	nephrite green	00-		
(15)	999 507 767 02	speed nut 4,2	01	2		19	996 552 967 04	trim for switch leather	/L 01	1	XNN
							A11	black			

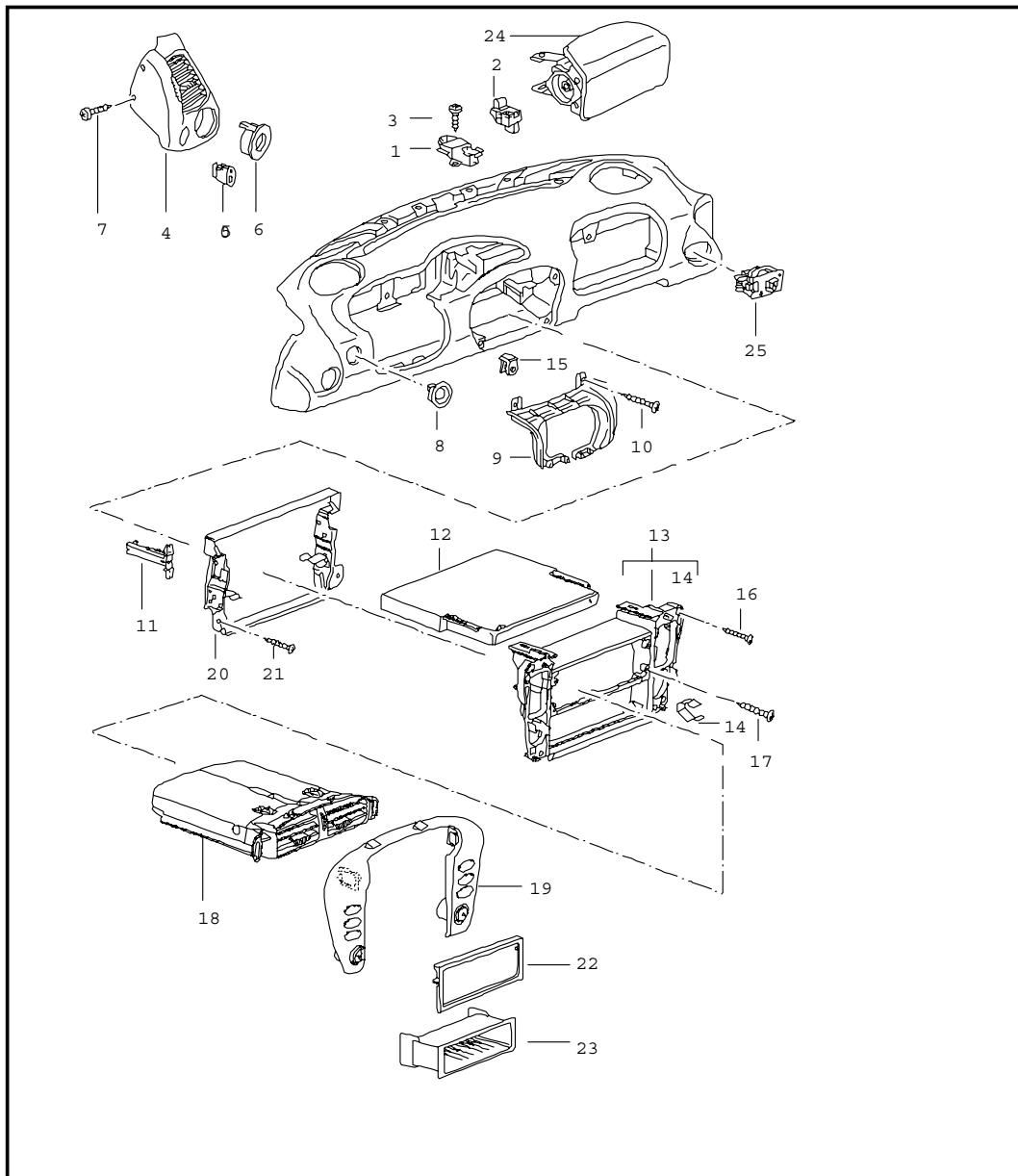
Model	Year	MG	SG	Illustration	Restrictions	Update	12:53	23.08.2006	PORSCHE	PET	PORSCHE
996	05	8	09	809-01		203					

Pos	Part Number	Name	Remarks	Qty	Model	Pos	Part Number	Name	Remarks	Qty	Model
	C51	graphite grey					G13	metropole blue	00-		
	S31	savanna					B13	space grey	00		
	G11	metropole blue					J33	nephrite green	00-		
	J31	nephrite green					M33	boxster red	00-		
	M31	boxster red					P13	cinnamon brown	01		
	D12	dark grey				21	996 552 968 04	trim for switch leather	/R 01	1	XNN
	T12	brown/natural					A11	black			
	P12	cinnamon brown					C51	graphite grey			
19	996 552 967 05	trim for switch rootwood light	/L 01	1	XKR		S31	savanna			
19	996 552 967 06	trim for switch rootwood dark	/L 01	1	XKS		G11	metropole blue			
19	996 552 967 07	trim for switch carbon	/L 01	1	XNR		J31	nephrite green			
21	996 552 234 03	trim for switch upper part/lower part	/R 98	1			M31	boxster red			
	D05	granite grey/granite grey					D12	dark grey			
	EFY	granite grey/graphite grey				21	996 552 968 05	trim for switch rootwood light	/R 01	1	XKR
	EFZ	granite grey/savanna				21	996 552 968 06	trim for switch rootwood dark	/R 01	1	XKS
	EJG	granite grey/metrop. blue				21	996 552 968 07	trim for switch carbon	/R 01	1	XNR
	EJH	granite grey/space grey				22	996 552 153 01	support frame heating	01-	1	M 574
21	996 552 234 04	trim for switch upper part/lower part	/R 99-01	1			01C	satin black			
	D05	granite grey/granite grey	99			22	996 552 991 00	support frame heating leather		1	XKW/XNN+ M 574
	EFY	granite grey/graphite grey	99				A11	black			
	EFZ	granite grey/savanna	99				C51	graphite grey			
	EJG	granite grey/metrop. blue	99				S31	savanna			
	EJH	granite grey/space grey	99				J31	nephrite green			
	A03	black									
	C53	graphite grey	00-								
	S33	savanna	00-								

Model	Year	MG	SG	Illustration	Restrictions	Update	12:53	23.08.2006	PORSCHE	PET	PORSCHE
996	05	8	09	809-01		203					

Pos	Part Number	Name	Remarks	Qty	Model	Pos	Part Number	Name	Remarks	Qty	Model
	M31	boxster red				27	996 552 173 01	shelf driver's side lacquered		1	
	G11	metropole blue					A03	black	00-		
	D12	dark grey					S30	savanna	-99		
	T12	brown/natural					C50	graphite grey	-99		
	P12	cinnamon brown					G10	metropole blue	-99		
23	996 552 677 00	frame air-conditioning switch		1			B50	space grey	-99		
	01C	satin black					C53	graphite grey	00-		
24	996 552 673 02	holder		1			S33	savanna	00-		
(24)	996 552 653 01	holder		1	M 662		G13	metropole blue	00-		
25	999 919 123 09	oval-head screw 5,0 X 20	-00	2			B13	space grey	00		
25	999 073 218 09	tapping screw 4,2 X 16	01-	2			J33	nephrite green	00-		
26	996 552 253 01	shelf instead of radio		1			M33	boxster red	00-		
	01C	satin black				(28)	999 591 712 40	expansion rivet 6,0 X 12,0	01-	2	
26	996 552 994 01	shelf leather	01-	1	XMF			- - - E N D - - -			
	A11	black									
	C51	graphite grey									
	S31	savanna									
	J31	nephrite green									
	M31	boxster red									
	G11	metropole blue									
	D12	dark grey									
	T12	brown/natural									
	P12	cinnamon brown									
27	996 552 173 00	shelf	-99	1							
	01C	satin black									

Model	Year	MG	SG	Illustration	Restrictions	Update	12:53	23.08.2006	PORSCHE	PET	PORSCHE
996	05	8	09	809-02		203					



Pos	Part Number	Name	Remarks	Qty	Model
1	996 552 541 02	accessories dashboard trim	02-	1	
2	996 653 251 00	mounting light		1	M 534/535
3	999 919 120 09	sensor		2	
3	999 919 120 09	oval-head screw 4,0 X 18		2	
4	996 552 225 06	side vent lacquered	/L	1	
	A03	black			
	C53	graphite grey			
	S33	savanna			
	G13	metropole blue			
	J33	nephrite green			
	M33	boxster red			
	P13	cinnamon brown			
(4)	996 552 228 06	side vent lacquered	/R	1	
	A03	black			
	C53	graphite grey			
	S33	savanna			
	G13	metropole blue			
	J33	nephrite green			
	M33	boxster red			
	P13	cinnamon brown			
4	996 552 984 00	side vent leather	/L	1	XN3
	VRK	black			
	C51	graphite grey			
	S31	savanna			
	G11	metropole blue			
	J31	nephrite green			

Model	Year	MG	SG	Illustration	Restrictions	Update	12:53	23.08.2006	PORSCHE	PET	PORSCHE
996	05	8	09	809-02		203					

Pos	Part Number	Name	Remarks	Qty	Model	Pos	Part Number	Name	Remarks	Qty	Model
	M31	boxster red					C51	graphite grey			
	D12	dark grey					S31	savanna			
	T12	brown/natural					J31	nephrite green			
	P12	cinnamon brown					M31	boxster red			
(4)	996 552 985 00	side vent leather	/R	1	XN3		G11	metropole blue			
	VRK	black					D12	dark grey			
	C51	graphite grey					T12	brown/natural			
	S31	savanna					P12	cinnamon brown			
	G11	metropole blue				4	996 552 984 02	side vent rootwood dark leather	/L	1	XKC
	J31	nephrite green					VRK	black			
	M31	boxster red					C51	graphite grey			
	D12	dark grey					S31	savanna			
	T12	brown/natural					J31	nephrite green			
	P12	cinnamon brown					M31	boxster red			
4	996 552 984 01	side vent rootwood light leather	/L	1	XKB		G11	metropole blue			
	VRK	black					D12	dark grey			
	C51	graphite grey					T12	brown/natural			
	S31	savanna					P12	cinnamon brown			
	J31	nephrite green				(4)	996 552 985 02	side vent rootwood dark leather	/R	1	XKC
	M31	boxster red					VRK	black			
	G11	metropole blue					C51	graphite grey			
	D12	dark grey					S31	savanna			
	T12	brown/natural					J31	nephrite green			
	P12	cinnamon brown					M31	boxster red			
(4)	996 552 985 01	side vent rootwood light leather	/R	1	XKB		G11	metropole blue			
	VRK	black					D12	dark grey			

Model	Year	MG	SG	Illustration	Restrictions	Update	12:53	23.08.2006	PORSCHE	PET	PORSCHE
996	05	8	09	809-02		203					

Pos	Part Number	Name	Remarks	Qty	Model	Pos	Part Number	Name	Remarks	Qty	Model
		T12 brown/natural						J31 nephrite green			
		P12 cinnamon brown						M31 boxster red			
4	996 552 984 03	side vent carbon leather	/L	1	XKD		G11 metropole blue				
		VRK black					D12 dark grey				
		C51 graphite grey					T12 brown/natural				
		S31 savanna				(4)	P12 cinnamon brown				
		J31 nephrite green					996 552 985 05	side vent arctic silver leather	/R	1	XKE
		M31 boxster red					VRK black				
		G11 metropole blue					C51 graphite grey				
		D12 dark grey					S31 savanna				
		T12 brown/natural					J31 nephrite green				
(4)	996 552 985 03	side vent carbon leather	/R	1	XKD		M31 boxster red				
		VRK black					G11 metropole blue				
		C51 graphite grey					D12 dark grey				
		S31 savanna					T12 brown/natural				
		J31 nephrite green				4	P12 cinnamon brown				
		M31 boxster red					996 552 984 07	side vent aluminium look leather	/L 03-	1	XCC
		G11 metropole blue					VRK black				
		D12 dark grey					C51 graphite grey				
		T12 brown/natural					S31 savanna				
		P12 cinnamon brown					G11 metropole blue				
4	996 552 984 05	side vent arctic silver leather	/L	1	XKE		J31 nephrite green				
		VRK black					M31 boxster red				
		C51 graphite grey					P12 cinnamon brown				
		S31 savanna					D12 dark grey/natural				
							T12 brown/natural				

Model	Year	MG	SG	Illustration	Restrictions	Update	13:02	23.08.2006	PORSCHE	PET	PORSCHE
996	05	8	09	809-02		203					

Pos	Part Number	Name	Remarks	Qty	Model	Pos	Part Number	Name	Remarks	Qty	Model
(4)	996 552 985 07	side vent aluminium look leather	/R 03-	1	XCC		T12	brown/natural			
	VRK	black					P12	cinnamon brown			
	C51	graphite grey				5	996 552 986 01	cover headlight levelling system rootwood light		2	XKB
	S31	savanna				5	996 552 986 02	cover headlight levelling system rootwood dark		2	XKC
	G11	metropole blue				5	996 552 986 03	cover headlight levelling system carbon		2	XKD
	J31	nephrite green				6	996 552 417 02	rose interior sensor lacquered		1	
	M31	boxster red					A03	black			
	P12	cinnamon brown					C53	graphite grey			
	D12	dark grey/natural					S33	savanna			
	T12	brown/natural					G13	metropole blue			
5	996 552 621 01	cover headlight levelling system lacquered		1			J33	nephrite green			
	A03	black					M33	boxster red			
	C53	graphite grey					P13	cinnamon brown			
	S33	savanna				6	996 552 987 00	rose interior sensor leather		1	XNH
	G13	metropole blue					A11	black			
	J33	nephrite green					C51	graphite grey			
	M33	boxster red					S31	savanna			
	P13	cinnamon brown					J31	nephrite green			
5	996 552 986 00	cover headlight levelling system leather		1	XNH		M31	boxster red			
	A11	black					G11	metropole blue			
	C51	graphite grey					D12	dark grey			
	S31	savanna					T12	brown/natural			
	J31	nephrite green					P12	cinnamon brown			
	M31	boxster red									
	G11	metropole blue									
	D12	dark grey									

Model	Year	MG	SG	Illustration	Restrictions	Update	13:02	23.08.2006	PORSCHE	PET	PORSCHE
996	05	8	09	809-02		203					

Pos	Part Number	Name	Remarks	Qty	Model	Pos	Part Number	Name	Remarks	Qty	Model
7	999 073 218 09	tapping screw 4,2 X 16		4		(8)	996 552 980 01	rose ignition starter lock leather	/RL	1	M XJ4
8	996 552 235 03	rose ignition starter lock	/LL	1			A11	black			
	A03	black					C51	graphite grey			
	C53	graphite grey					S31	savanna			
	S33	savanna					G11	metropole blue			
	G13	metropole blue					J31	nephrite green			
	J33	nephrite green					M31	boxster red			
	M33	boxster red					P12	cinnamon brown			
	P13	cinnamon brown					D12	dark grey/natural			
(8)	996 552 236 03	rose ignition starter lock	/RL	1			T12	brown/natural			
	A03	black				9	996 552 271 03	cover steering		1	
	C53	graphite grey					A03	black			
	S33	savanna					C53	graphite grey			
	G13	metropole blue					S33	savanna			
	J33	nephrite green					G13	metropole blue			
	M33	boxster red					J33	nephrite green			
	P13	cinnamon brown					M33	boxster red			
8	996 552 980 00	rose ignition starter lock leather	/LL	1	M XJ4		P13	cinnamon brown			
	A11	black				9	986 552 988 03	cover steering leather		1	XNS
	C51	graphite grey					VRK	black			
	S31	savanna					S31	savanna			
	G11	metropole blue					G11	metropole blue			
	J31	nephrite green					J31	nephrite green			
	M31	boxster red					M31	boxster red			
	P12	cinnamon brown					D12	dark grey/natural			
	D12	dark grey/natural					T12	brown/natural			
	T12	brown/natural					C51	graphite grey			



Model	Year	MG	SG	Illustration	Restrictions	Update	13:02	23.08.2006	PORSCHE	PET	PORSCHE
996	05	8	09	809-02		203					

Pos	Part Number	Name	Remarks	Qty	Model	Pos	Part Number	Name	Remarks	Qty	Model
	P12	cinnamon brown					T12	brown/natural			
10	999 919 123 09	oval-head screw 5,0 X 20		8		13	996 552 231 11	support frame		1	
11	996 573 501 00	adapter		2			01C	satin black			
12	996 552 183 00	support beverages	/LL	1		(13)	996 552 231 13	support frame	02	1	M 662
	01C	satin black					01C	satin black			
(12)	996 552 184 00	support beverages	/RL	1		(13)	996 552 231 12	support frame	03-	1	M 665
	01C	satin black					01C	satin black			
12	996 552 958 00	support beverages leather	/LL	1	XNN/XKS/XKR	13	996 552 969 25	support frame leather		1	XNN
	A11	black					A11	black			
	C51	graphite grey					C51	graphite grey			
	S31	savanna					S31	savanna			
	G11	metropole blue					G11	metropole blue			
	J31	nephrite green					J31	nephrite green	-03		
	M31	boxster red					M31	boxster red			
	P12	cinnamon brown					D12	dark grey			
	D12	dark grey/natural					T12	brown/natural			
	T12	brown/natural					P12	cinnamon brown			
(12)	996 552 958 01	support beverages leather	/RL	1	XNN/XKS/XKR	(13)	996 552 969 27	support frame leather	02	1	XNN+M 662
	A11	black					A11	black			
	C51	graphite grey					C51	graphite grey			
	S31	savanna					S31	savanna			
	G11	metropole blue					G11	metropole blue			
	J31	nephrite green					J31	nephrite green	-03		
	M31	boxster red					M31	boxster red			
	P12	cinnamon brown					D12	dark grey			
	D12	dark grey/natural					T12	brown/natural			
							P12	cinnamon brown			
						(13)	996 552 969 26	support frame leather	03-	1	XNN+M 665

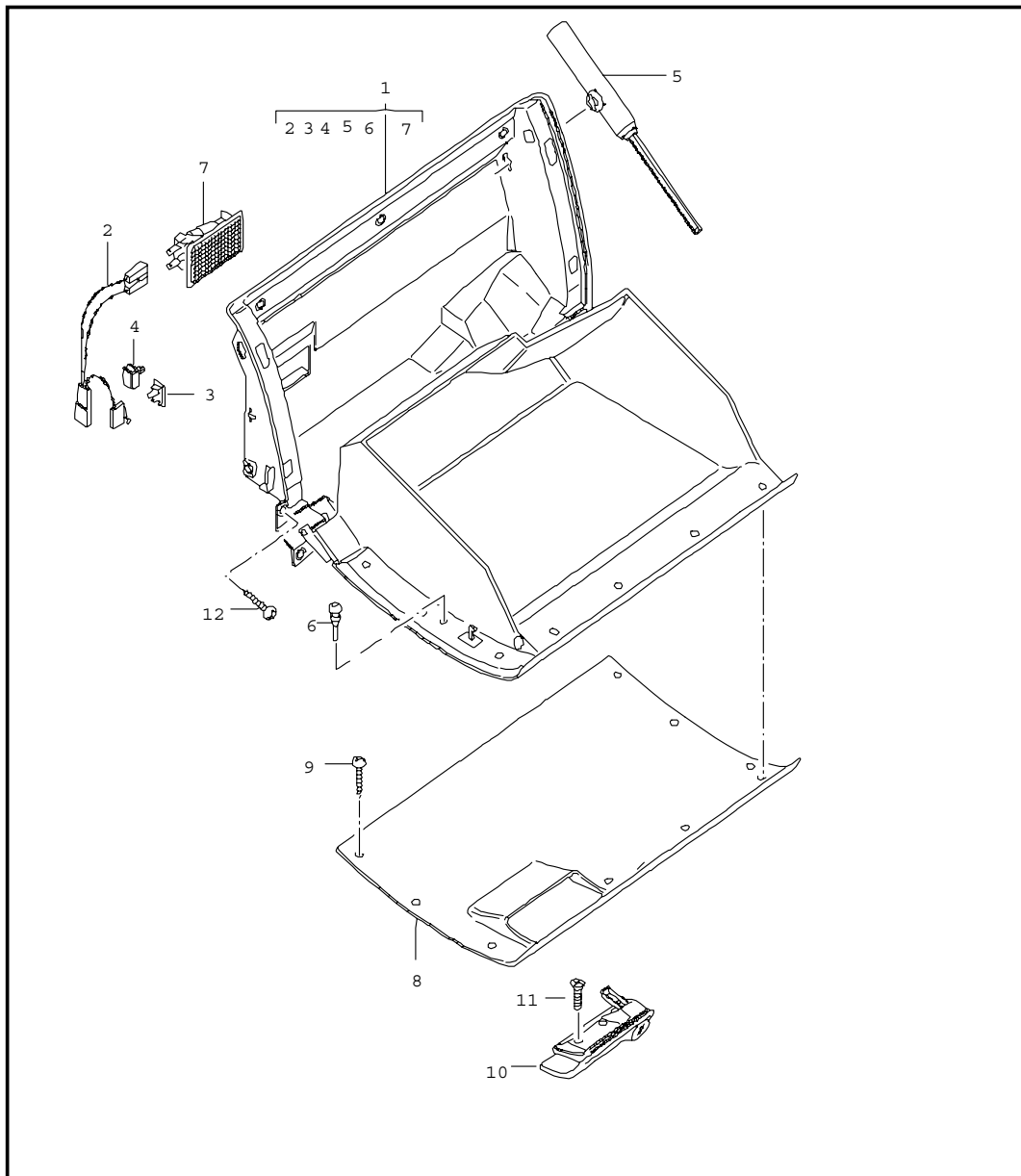
Model	Year	MG	SG	Illustration	Restrictions	Update	13:02	23.08.2006	PORSCHE	PET	PORSCHE
996	05	8	09	809-02		203					

Pos	Part Number	Name	Remarks	Qty	Model	Pos	Part Number	Name	Remarks	Qty	Model
	A11	black				18	996 552 951 00	centre nozzle aluminium look	03-	1	XCD
	C51	graphite grey					A11	black			
	S31	savanna					C51	graphite grey			
	G11	metropole blue					S31	savanna			
	J31	nephrite green	-03				G11	metropole blue			
	M31	boxster red					J31	nephrite green			
	D12	dark grey					M31	boxster red			
	T12	brown/natural					P12	cinnamon brown			
	P12	cinnamon brown					D12	dark grey/natural			
15	999 507 768 02	speed nut 4,2		16			T12	brown/natural			
(15)	999 507 767 02	speed nut 4,2	01-	2		19	996 552 233 06	trim for switch lacquered		1	
16	999 073 218 09	tapping screw 4,2 X 16		4			A03	black			
17	900 143 076 09	tapping screw 4,2 X 25		2	M 573		C53	graphite grey			
18	996 552 263 01	centre nozzle		1			S33	savanna			
	01C	satin black					G13	metropole blue			
--	999 507 770 09	clamp 2,5		2			J33	nephrite green	-03		
18	996 552 950 00	centre nozzle leather	XNR	1	XKR/XKS/XNN/	19	996 552 967 08	trim for switch leather		1	XNN
	A11	black					A11	black			
	C51	graphite grey					C51	graphite grey			
	S31	savanna					S31	savanna			
	G11	metropole blue					G11	metropole blue			
	J31	nephrite green					J31	nephrite green			
	M31	boxster red					M31	boxster red			
	P12	cinnamon brown					D12	dark grey			
	D12	dark grey/natural					T12	brown/natural			
	T12	brown/natural					P12	cinnamon brown			

Model	Year	MG	SG	Illustration	Restrictions	Update	13:02	23.08.2006	PORSCHE	PET	PORSCHE
996	05	8	09	809-02		203					

Pos	Part Number	Name	Remarks	Qty	Model	Pos	Part Number	Name	Remarks	Qty	Model
19	996 552 967 09	trim for switch rootwood light		1	XKR	23	996 552 994 01	shelf leather	02	1	XMF
19	996 552 967 10	trim for switch rootwood dark		1	XKS		A11	black			
19	996 552 967 11	trim for switch carbon		1	XNR		C51	graphite grey			
19	996 552 967 13	trim for switch arctic silver		1	XKW		S31	savanna			
20	996 552 673 03	holder		1			J31	nephrite green			
(20)	996 552 653 03	holder	02	1	M 662		M31	boxster red			
(20)	996 552 653 02	holder	03-	1	M 665		G11	metropole blue			
21	999 073 218 09	tapping screw 4,2 X 16		2			D12	dark grey			
22	986 552 153 00	frame		1	M 574	24	---	see group 4/03/06		1	
	01C	satin black				25	996 653 241 00	interior sensor		1	
22	996 552 677 01	frame		1	M 573			- - - E N D - - -			
	01C	satin black									
22	996 552 992 00	frame air-conditioning switch leather		1	XKW/XNN/573						
	A11	black									
	C51	graphite grey									
	S31	savanna									
	G11	metropole blue									
	J31	nephrite green									
	M31	boxster red									
	D12	dark grey/natural									
	T12	brown/natural									
	P12	cinnamon brown									
23	996 552 253 01	shelf instead of radio		1							
	01C	satin black									

Model	Year	MG	SG	Illustration	Restrictions	Update	13:04	23.08.2006	PORSCHE	PET	PORSCHE
996	05	8	09	809-03		203					



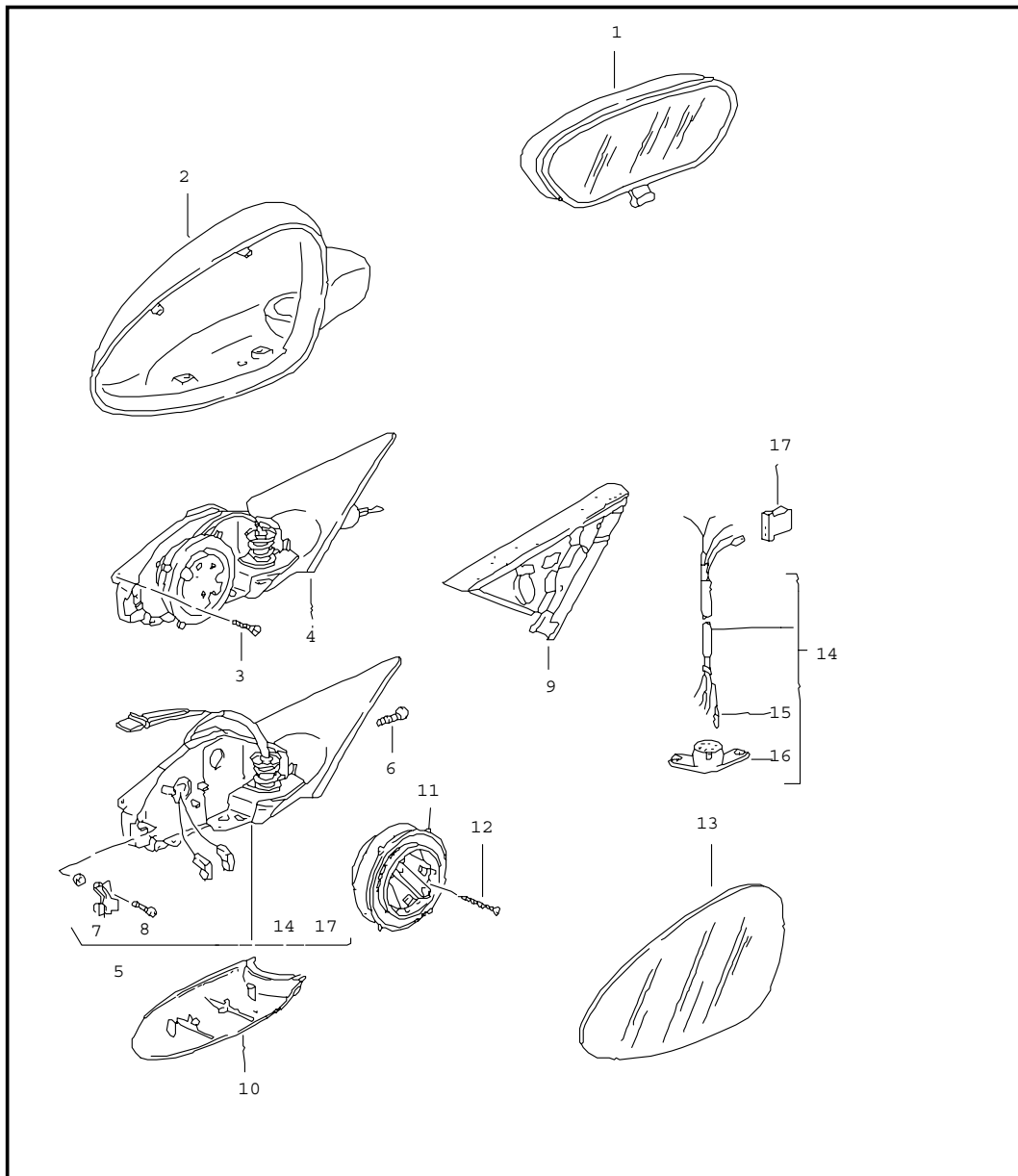
Pos	Part Number	Name	Remarks	Qty	Model
		glove compartment	02-		
1	996 552 119 00	glove compartment	/LL	1	
		01C satin black			
(1)	996 552 120 00	glove compartment	/RL	1	
		01C satin black			
2	996 622 501 00	wiring harness		1	
3	999 650 564 40	clip for wiring harness microswitch		1	
4	999 650 565 40	clip for wiring harness		1	
5	996 552 779 00	damper		2	
6	999 703 491 50	buffer 7 X 9,5 X 19,5		2	
7	928 632 101 00	glove compartment light		1	
8	996 552 133 00	glove box cover leatherette	/LL	1	
		A12 black			
		C52 graphite grey			
		S32 savanna			
		G12 metropole blue			
		J32 nephrite green			
(8)	996 552 134 00	glove box cover leatherette	/RL	1	
		A12 black			
		C52 graphite grey			
		S32 savanna			
		G12 metropole blue			
		J32 nephrite green			
8	996 552 133 01	glove box cover leather	/LL	1	
		A11 black			

Model	Year	MG	SG	Illustration	Restrictions	Update	13:04	23.08.2006	PORSCHE	PET	PORSCHE
996	05	8	09	809-03		203					

Pos	Part Number	Name	Remarks	Qty	Model	Pos	Part Number	Name	Remarks	Qty	Model
	C51	graphite grey				--	996 552 915 00	lock cylinder state lock number		1	
	S31	savanna				11	999 073 240 02	screw M 4 X 10		2	
	G11	metropole blue				12	999 073 169 07	tapping screw 4,8 X 16		7	
	J31	nephrite green				13	996 552 879 00	adapter for damper	02-	2	
	M31	boxster red									
	P12	cinnamon brown									
	D12	dark grey									
	T12	brown/natural									
(8)	996 552 134 01	glove box cover leather	/RL	1							
	A11	black									
	C51	graphite grey									
	S31	savanna									
	G11	metropole blue									
	J31	nephrite green									
	M31	boxster red									
	P12	cinnamon brown									
	D12	dark grey									
	T12	brown/natural									
9	999 073 249 07	tapping screw 3,5 X 11	02	11							
9	999 073 308 07	tapping screw 3,5 X 12	03-	11							
10	996 552 349 00	handle	/LL 02	1							
	V01	silver									
(10)	996 552 350 00	handle	/RL 02	1							
	V01	silver									
10	996 552 349 01	handle	/LL 03-	1							
	V03	silver									
(10)	996 552 350 01	handle	/RL 03-	1							
	V03	silver									

- - - E N D - - -

Model	Year	MG	SG	Illustration	Restrictions	Update	13:04	23.08.2006	PORSCHE	PET	PORSCHE
996	05	8	09	809-10		203					



Pos	Part Number	Name	Remarks	Qty	Model
1	996 731 511 01	interior mirror door mirror		1	
	01C	satin black			
(1)	996 731 982 00	interior mirror	-00	1	XEH/XE3
	01C	satin black			
(1)	996 731 511 02	interior mirror	01-	1	M 265
	01C	satin black			
-	996 731 811 01	cover	/L 01-	1	M 265
	01C	satin black			
-	996 731 812 01	cover	/R 01-	1	M 265
	01C	satin black			
2	996 731 619 00	housing	/L	1	
	G2L	prime coated			
(2)	996 731 620 00	housing	/R	1	
	G2L	prime coated			
3	999 919 170 02	countersunk-head screw 3,0 X 10		6	
5	996 731 219 00	mirror base door mirror electrically adjustable	/LL/L	1	
	G2L	prime coated			
5	996 731 219 04	mirror base door mirror electrically adjustable	/LL/L01-	1	M 266
	G2L	prime coated			
(5)	996 731 220 00	mirror base door mirror electrically adjustable	/LL/R	1	
	G2L	prime coated			
(5)	996 731 219 01	mirror base door mirror electrically adjustable	/RL/L	1	
	G2L	prime coated			

Model	Year	MG	SG	Illustration	Restrictions	Update	13:04	23.08.2006	PORSCHE	PET	PORSCHE
996	05	8	09	809-10		203					

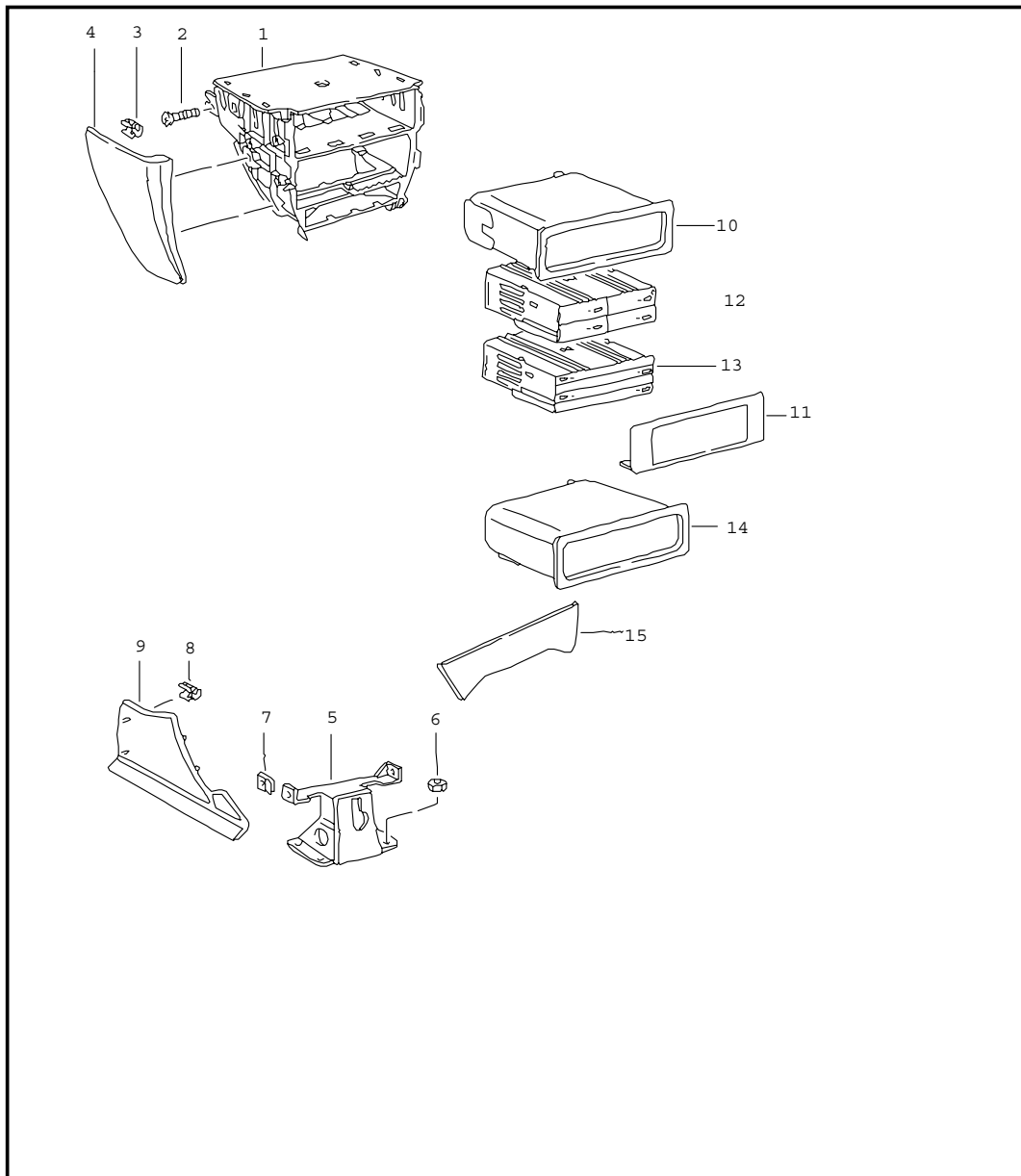
Pos	Part Number	Name	Remarks	Qty	Model	Pos	Part Number	Name	Remarks	Qty	Model
(5)	996 731 220 01	mirror base door mirror electrically adjustable	/RL/R	1		(9)	996 537 732 00	filler piece outer	/R	1	
	G2L	prime coated				(9)	996 537 733 00	filler piece	/L	1	
(5)	996 731 220 04	mirror base door mirror electrically adjustable	/RL/R01-	1	M 266	(9)	996 537 734 00	filler piece inner	/R	1	
	G2L	prime coated				10	996 731 719 00	cover lower	/L	1	
							G2L	prime coated			
(5)	996 731 219 02	mirror base door mirror electrically adjustable	/LL/L	1	M 537	(10)	996 731 720 00	cover lower	/R	1	
	G2L	prime coated					G2L	prime coated			
(5)	996 731 219 05	mirror base door mirror electrically adjustable	/LL/L01-	1	M 537+266	11	996 624 047 00	adjusting motor ASPHAERISCH		2	
	G2L	prime coated				11	996 624 048 00	adjusting motor ASPHAERISCH		2	M 537/538
(5)	996 731 220 02	mirror base door mirror electrically adjustable	/LL/R	1	M 537	12	900 278 013 02	oval-head screw M 3 X 30 ASPHAERISCH		6	
	G2L	prime coated				13	996 731 035 01	mirror glass ASPHAERISCH	/L	1	M 270
(5)	996 731 219 03	mirror base door mirror electrically adjustable	/RL/L	1	M 538	13	996 731 035 03	mirror glass plan ASPHAERISCH	/L 01-	1	M 270+266
	G2L	prime coated				(13)	996 731 035 02	mirror glass ASPHAERISCH	/L	1	M 271
(5)	996 731 220 03	mirror base door mirror electrically adjustable	/RL/R	1	M 538	(13)	996 731 035 04	mirror glass ASPHAERISCH	/L 01-	1	M 271+266
	G2L	prime coated				(13)	996 731 037 01	mirror glass convex	/RL/L	1	
(5)	996 731 220 05	mirror base door mirror electrically adjustable	/RL/R01-	1	M 538+266	(13)	996 731 036 01	mirror glass	/RL/R	1	M 270
	G2L	prime coated				(13)	996 731 036 03	mirror glass plan	/RL/R01-	1	M 270+266
6	999 073 125 02	oval-head screw M 5 X 14		6		(13)	996 731 036 02	mirror glass	/RL/R	1	M 271
7	999 507 549 02	spring clamp		2		(13)	996 731 036 04	mirror glass ASPHAERISCH	/RL/R01-	1	M 271+266
8	900 278 010 02	oval-head screw		2		(13)	996 731 038 02	mirror glass convex	/LL/R	1	
9	996 537 731 00	filler piece	/L	1							

Model	Year	MG	SG	Illustration	Restrictions	Update	13:04	23.08.2006	PORSCHE	PET	PORSCHE
996	05	8	09	809-10		203					

Pos	Part Number	Name	Remarks	Qty	Model	Pos	Part Number	Name	Remarks	Qty	Model
(13)	996 731 038 04	mirror glass convex	/LL/R	1	(SA)						
(14)	996 612 674 00	wiring harness		1							
15	999 652 710 10	cylindrical connector		30							
16	999 650 173 40	connector 15-pole		2							
17	311 906 231 B	connector housing 3-pole		2							
(17)	999 650 177 40	plug socket 8-pole		2	M 537/538						
(17)	999 650 178 40	slide 8-pole		2	M 537/538						
		- - - E N D - - -									



Model	Year	MG	SG	Illustration	Restrictions	Update	13:04	23.08.2006	PORSCHE	PET	PORSCHE
996	05	8	09	809-15		203					



Pos	Part Number	Name	Remarks	Qty	Model
		centre console front			
1	996 552 115 01	bracket	98	1	
		01C satin black information available			
1	996 552 115 02	bracket	99-	1	
		01C satin black			
1	996 552 973 01	bracket leather	01-	1	XMP
		A11 black			
		C51 graphite grey			
		S31 savanna			
		J31 nephrite green			
		M31 boxster red			
		G11 metropole blue			
		D12 dark grey/natural	00-		
		T12 brown/natural	00-		
		P12 cinnamon brown	01-		
2	999 919 121 09	oval-head screw 5,0 X 16		4	
3	999 507 476 01	clamp 8,0 X 10,2		3	
4	996 552 091 05	cover leatherette	/L 98	1	
		A18 black			
		C18 graphite grey			
		S18 savanna			
		G18 metropole blue			
		B18 space grey			
(4)	996 552 092 05	cover leatherette	/R 98	1	
		A18 black			
		C18 graphite grey			

Model	Year	MG	SG	Illustration	Restrictions	Update	13:04	23.08.2006	PORSCHE	PET	PORSCHE
996	05	8	09	809-15		203					

Pos	Part Number	Name	Remarks	Qty	Model	Pos	Part Number	Name	Remarks	Qty	Model
	S18	savanna					B52	space grey	00		
	G18	metropole blue					J32	nephrite green	01-		
	B18	space grey				4	996 552 091 03	cover leather	/L 98	1	
(4)	996 552 091 06	cover leatherette	/L 99	1			A11	black			
	A18	black					C51	graphite grey			
	C18	graphite grey					S31	savanna			
	S18	savanna					J31	nephrite green			
	G18	metropole blue					M31	boxster red			
	B18	space grey					G11	metropole blue			
(4)	996 552 092 06	cover leatherette	/R 99	1			B51	space grey			
	A18	black				(4)	996 552 092 03	cover leather	/R 98	1	
	C18	graphite grey					A11	black			
	S18	savanna					C51	graphite grey			
	G18	metropole blue					S31	savanna			
	B18	space grey					J31	nephrite green			
4	996 552 091 06	cover leatherette	/L 00-	1			M31	boxster red			
	A12	black					G11	metropole blue			
	C52	graphite grey					B51	space grey			
	S32	savanna				4	996 552 091 07	cover leather	/L 99-	1	
	G12	metropole blue					A11	black			
	B52	space grey	00				C51	graphite grey			
	J32	nephrite green	01-				S31	savanna			
(4)	996 552 092 06	cover leatherette	/R 00-	1			J31	nephrite green			
	A12	black					M31	boxster red			
	C52	graphite grey					G11	metropole blue			
	S32	savanna					B51	space grey			
	G12	metropole blue					D12	dark grey	00-		
							T12	brown/natural	00-		

Model	Year	MG	SG	Illustration	Restrictions	Update	13:04	23.08.2006	PORSCHE	PET	PORSCHE
996	05	8	09	809-15		203					

Pos	Part Number	Name	Remarks	Qty	Model	Pos	Part Number	Name	Remarks	Qty	Model
(4)	996 552 092 07	P12 cinnamon brown cover leather	01- /R 99-	1		(9)	996 552 114 02	P11 cinnamon brown cover carpet	01- /R	1	
	A11	black					A10	black			
	C51	graphite grey					C50	graphite grey			
	S31	savanna					S30	savanna			
	J31	nephrite green					J30	nephrite green			
	M31	boxster red					M30	boxster red			
	G11	metropole blue					G10	metropole blue			
	B51	space grey					B50	space grey	-00		
	D12	dark grey	00-				D11	dark grey	00-		
	T12	brown/natural	00-				T11	brown/natural	00-		
	P12	cinnamon brown	01-				P11	cinnamon brown	01-		
(5)	996 552 267 05	support lower		1	M 581	10	996 552 253 01	shelf		1	
6	999 084 629 09	hexagon nut M 6		4			01C	satin black			
7	999 920 011 40	special nut 5,0 X 1,0 X 8		4		10	996 552 994 01	shelf leather	01-02	1	XXMF
8	999 507 476 01	clamp 8,0 X 10,2		2			A11	black			
9	996 552 113 02	cover carpet	/L	1			C51	graphite grey			
	A10	black					S31	savanna			
	C50	graphite grey					J31	nephrite green			
	S30	savanna					M31	boxster red			
	J30	nephrite green					G11	metropole blue			
	M30	boxster red					D12	dark grey			
	G10	metropole blue					T12	brown/natural			
	B50	space grey	-00			11	996 552 443 00	P12 cinnamon brown frame		1	
	D11	dark grey	00-				01C	satin black			
	T11	brown/natural	00-			(11)	996 552 992 00	frame air-conditioning switch leather	01-	1	XXKW/XNN

Model	Year	MG	SG	Illustration	Restrictions	Update	13:04	23.08.2006	PORSCHE	PET	PORSCHE
996	05	8	09	809-15		203					

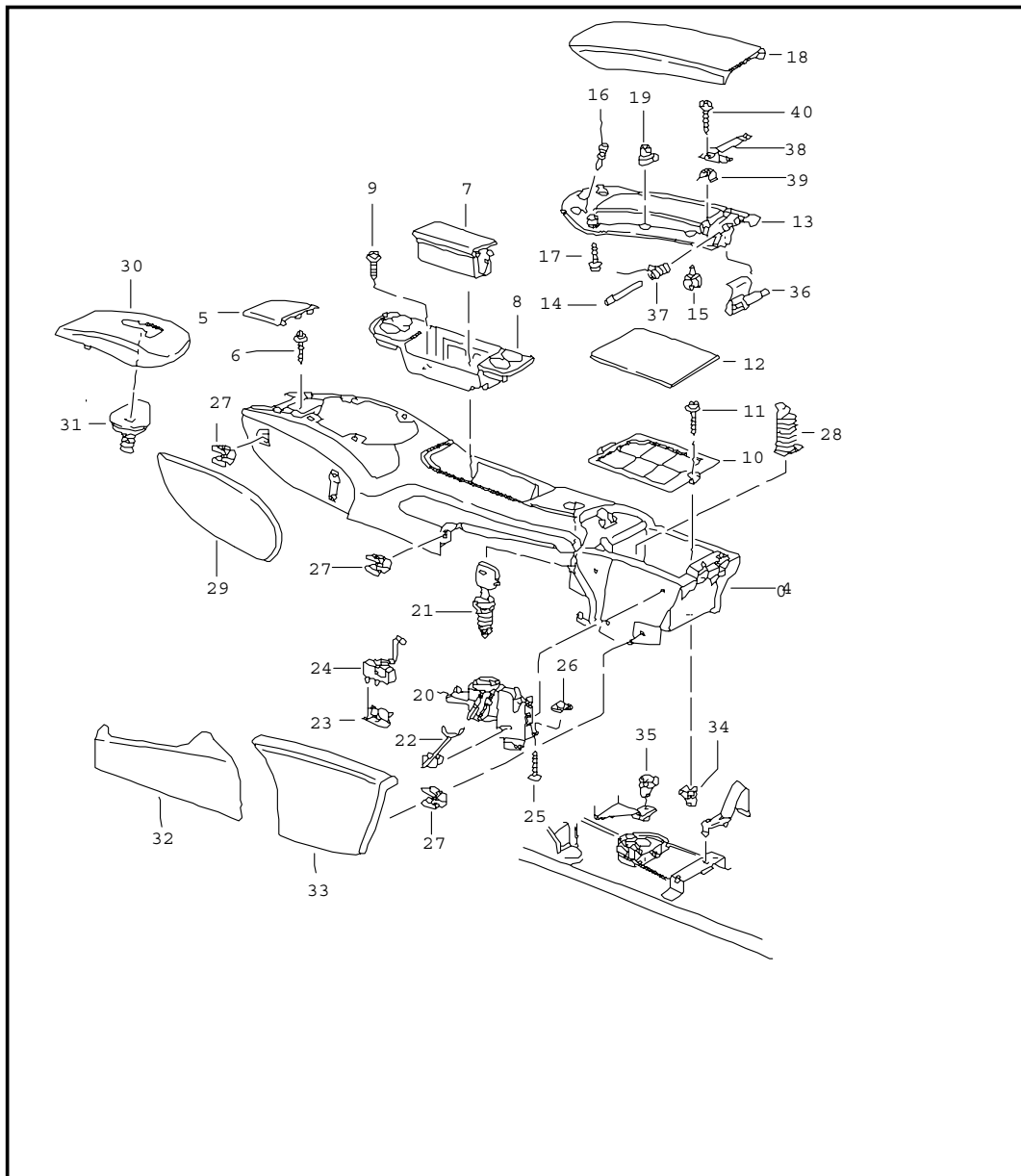
Pos	Part Number	Name	Remarks	Qty	Model	Pos	Part Number	Name	Remarks	Qty	Model
	A11	black					D12	dark grey/natural	00-		
	C51	graphite grey					T12	brown/natural	00-		
	S31	savanna					P12	cinnamon brown	01-		
	G11	metropole blue				14	996 552 243 01	shelf		1	
	J31	nephrite green					01C	satin black			
	M31	boxster red				14	996 552 982 01	shelf leather	01-	1	XMF
	D12	dark grey					A11	black			
	T12	brown/natural					C51	graphite grey			
	P12	cinnamon brown					S31	savanna			
12	996 552 763 00	cassette box	-02	4	M 421		J31	nephrite green			
(12)	996 552 981 01	cassette box leather	01-02	1	M 421+XMF		M31	boxster red			
	A11	black					G11	metropole blue			
	C51	graphite grey					D12	dark grey			
	S31	savanna					T12	brown/natural			
	G11	metropole blue					P12	cinnamon brown			
	J31	nephrite green				(14)	996 552 963 00	cover leather	01-	1	XMF/XNN
	M31	boxster red					A11	black			
	D12	dark grey/natural	00-				C51	graphite grey			
	T12	brown/natural	00-				S31	savanna			
	P12	cinnamon brown	01-				G11	metropole blue			
13	996 552 773 00	box for cds		4	M 424		J31	nephrite green			
(13)	996 552 981 00	box for cds leather	01-	1	M 424+XMF		M31	boxster red			
	A11	black					D12	dark grey			
	C51	graphite grey					T12	brown/natural			
	S31	savanna					P12	cinnamon brown			
	G11	metropole blue				(14)	996 552 963 01	cover rootwood light	01-	1	XKR
	J31	nephrite green									
	M31	boxster red									

Model	Year	MG	SG	Illustration	Restrictions	Update	13:04	23.08.2006	PORSCHE	PET	PORSCHE
996	05	8	09	809-15		203					

Pos	Part Number	Name	Remarks	Qty	Model	Pos	Part Number	Name	Remarks	Qty	Model
(14)	996 552 963 02	cover rootwood dark	01-	1	XKS		M31	boxster red			
							G11	metropole blue			
(14)	996 552 963 04	cover carbon	01-	1	XNR		D12	dark grey			
15	996 552 335 00	trim for switch		1			T12	brown/natural			
	01C	satin black					P12	cinnamon brown			
(15)	996 552 335 01	trim for switch		1	TARGA/ M 139/340	(15)	996 552 583 00	trim for switch centre console	00	1	M094
	4	switch					T12	brown/natural			
	01C	satin black				(15)	996 552 315 00	trim for switch centre console	04	1	M095
(15)	996 552 335 02	trim for switch		1	M 139/340		01C	satin black			
	2	switch									
	01C	satin black									
15	996 552 983 00	trim for switch leather		1	XKW/XNN						
	A11	black									
	C51	graphite grey									
	S31	savanna									
	J31	nephrite green									
	M31	boxster red									
	G11	metropole blue									
	D12	dark grey									
	T12	brown/natural									
	P12	cinnamon brown									
(15)	996 552 983 01	trim for switch		1	M 139/340 XKW/XNN						
	2	switch									
		leather									
	A11	black									
	C51	graphite grey									
	S31	savanna									
	J31	nephrite green									

- - - E N D - - -

Model	Year	MG	SG	Illustration	Restrictions	Update	13:05	23.08.2006	PORSCHE	PET	PORSCHE
996	05	8	09	809-20		203					



Pos	Part Number	Name	Remarks	Qty	Model
		centre console centre			
4	A 996 552 125 02	centre console	-01	1	
	D05	granite grey	-99		
	A03	black	00-		
	C53	graphite grey	00-		
	S33	savanna	00-		
	G13	metropole blue	00-		
	B13	space grey	00		
	J33	nephrite green	-03		
	M33	boxster red	00-		
	P13	cinnamon brown	01-		
4	996 552 125 03	centre console	02-	1	
	A03	black	00-		
	C53	graphite grey	00-		
	S33	savanna	00-		
	G13	metropole blue	00-		
	J33	nephrite green	-03		
	M33	boxster red	00-		
	P13	cinnamon brown	01-		
4	996 552 125 04	centre console lacquered	04	1	M 095
	M7Z	silver metallic			
4	986 552 995 09	centre console	-02	1	XJB
	92U	arctic silver metallic			
4	986 552 995 09	centre console	01-	1	XME
	39G	violet metallic	-01		
	7A6	black-metallic	-01		
	3W7	dark blue	-01		
	23I	wimbledon green metallic	-01		

Model	Year	MG	SG	Illustration	Restrictions	Update	13:05	23.08.2006	PORSCHE	PET	PORSCHE
996	05	8	09	809-20		203					

Pos	Part Number	Name	Remarks	Qty	Model	Pos	Part Number	Name	Remarks	Qty	Model
	9A3	biarritz white	-01				T12	brown/natural	00-		
	2A2	rainforest green metallic	-02				P12	cinnamon brown	01-		
	92U	arctic silver metallic				4	986 552 995 05	centre console leather	02-	1	XMZ
	041	black					VRK	black			
	84A	guards red					C51	graphite grey			
	12H	speed yellow					S31	savanna			
	8A3	orient red metallic					G11	metropole blue			
	M5W	lapis blue metallic					J31	nephrite green			
	6A6	meridian metallic					M31	boxster red			
	39C	midnight blue metallic					D12	dark grey/natural	00-		
	6B4	seal grey metallic					T12	brown/natural	00-		
	2B4	forest green metallic					P12	cinnamon brown	01-		
	3C8	cobalt blue metallic				4	986 552 995 08	centre console carbon	01-	1	XMJ
	92M	polar silver metallic									
	23F	slate grey metallic				4	986 552 995 03	centre console	01	1	XML
	1A8	zanzibar red				4	986 552 995 06	centre console rootwood light	02-	1	XML
	B9A	carrara white	02-								
	C9Z	basalt black metallic	02-			4	986 552 995 07	centre console rootwood dark	01-	1	XNB
	M6W	lagoon green metallic	03-								
4	986 552 995 09	centre console	03-	1	XCE	-	996 552 841 01	sound absorber front		1	
	V03	sport silver									
4	986 552 995 01	centre console	01	1	XMZ	-	996 552 843 01	sound absorber centre		1	
	VRK	black				-	996 552 845 01	sound absorber rear		1	
	C51	graphite grey				(5)	996 552 127 00	extension leather	/H	1	
	S31	savanna					A11	black			
	G11	metropole blue					C51	graphite grey			
	J31	nephrite green					S31	savanna			
	M31	boxster red					G11	metropole blue			
	D12	dark grey/natural	00-								

Model	Year	MG	SG	Illustration	Restrictions	Update	13:05	23.08.2006	PORSCHE	PET	PORSCHE
996	05	8	09	809-20		203					

Pos	Part Number	Name	Remarks	Qty	Model	Pos	Part Number	Name	Remarks	Qty	Model
	B51	space grey	-00			7	996 552 595 02	insert ashtray lacquered	04	1	M 095
	J31	nephrite green	-03								
	M31	boxster red					M7Z	gt silver metallic			
	P12	cinnamon brown	01-			7	986 552 997 01	insert ashtray leather	01-	1	XMZ
	D12	dark grey	00-								
	T12	brown/natural	00-				A11	black			
(5)	996 552 962 00	extension leather	/H 01-	1	XMZ		C51	graphite grey			
	VRK	black					S31	savanna			
	C51	graphite grey					G11	metropole blue			
	S31	savanna					J31	nephrite green			
	G11	metropole blue					M31	boxster red			
	J31	nephrite green	-03				D12	dark grey/natural			
	M31	boxster red					T12	brown/natural			
	D12	dark grey/natural				7	986 552 997 02	insert ashtray carbon	01-	1	XMJ
	T12	brown/natural									
	P12	cinnamon brown				7	986 552 997 03	insert ashtray rootwood light	01-	1	XML
6	999 919 121 09	oval-head screw 5,0 X 16		5							
7	996 552 595 01	insert ashtray		1		7	986 552 997 04	insert ashtray rootwood dark	01-	1	XNB
	D05	granite grey	-99								
	A03	black	00-			7	986 552 997 00	insert ashtray lacquered	01-	1	
	C53	graphite grey	00-				92T	arctic silver	-02		XJB
	S33	savanna	00-				V03	silver	03-		XCE
	G13	metropole blue	00-								
	B13	space grey	00			8	996 552 095 01	ashtray lacquered	-00	1	
	J33	nephrite green	-03				D05	granite grey	-99		
	M33	boxster red	00-				A03	black	00-		
	P13	cinnamon brown	01-				C53	graphite grey	00-		



Model	Year	MG	SG	Illustration	Restrictions	Update	13:05	23.08.2006	PORSCHE	PET	PORSCHE
996	05	8	09	809-20		203					

Pos	Part Number	Name	Remarks	Qty	Model	Pos	Part Number	Name	Remarks	Qty	Model
	S33	savanna	00-			(8)	986 552 996 07	ashtray rootwood dark	01-	1	XNB
	G13	metropole blue	00-								
	B13	space grey	00			(8)	986 552 996 08	ashtray carbon	01-	1	XMJ
	J33	nephrite green	-03			(8)	986 552 996 09	ashtray	01-	1	XJB
	M33	boxster red	00-				92T	arctic silver	-02		
8	996 552 095 02	ashtray lacquered	01-	1			V03	silver	03-		XCE
	A03	black	00-			(8)	996 552 096 01	shelf		1	M 580
	C53	graphite grey	00-				D05	granite grey	-99		
	S33	savanna	00-				A03	black	00-		
	G13	metropole blue	00-			--	996 552 596 00	insert		1	M 580
	J33	nephrite green	-03			(9)	999 591 941 40	screw with expander nut		2	
	M33	boxster red	00-			10	996 552 365 00	floor shelf		1	
8	996 552 095 03	ashtray lacquered	04	1	M 095	12	996 552 665 00	insert shelf		1	
	M7Z	gt silver metallic				13	996 552 205 00	cover		1	
(8)	986 552 996 05	ashtray leather	01-	1	XMZ		01C	satin black			
	A11	black				14	996 552 605 00	hinge pin		1	
	C51	graphite grey				15	996 552 813 00	support		2	
	S31	savanna				16	996 552 833 00	rubber stop		2	
	G11	metropole blue				17	999 919 175 09	oval-head screw 3,5 X 12		8	
	J31	nephrite green				18	996 552 155 03	cover leather		1	
	M31	boxster red					A11	black			
	D12	dark grey/natural	00-				C51	graphite grey			
	T12	brown/natural	00-				S31	savanna			
	P12	cinnamon brown	01-				J31	nephrite green			
(8)	986 552 996 06	ashtray rootwood light	01-	1	XML		M31	boxster red			
							G11	metropole blue			

Model	Year	MG	SG	Illustration	Restrictions	Update	13:05	23.08.2006	PORSCHE	PET	PORSCHE
996	05	8	09	809-20		203					

Pos	Part Number	Name	Remarks	Qty	Model	Pos	Part Number	Name	Remarks	Qty	Model
	B51	space grey	-00			29	996 552 087 05	cover leatherette	/L -99	1	M 581
	D12	dark grey	00-				A18	black			
	T12	brown/natural	00-				C18	graphite grey			
	P12	cinnamon brown	01-				S18	savanna			
18	996 552 965 00	cover leather	01-	1	XMZ		G18	metropole blue			
	VRK	black					B18	space grey			
	C51	graphite grey				(29)	996 552 088 05	cover leatherette	/R -99	1	M 581
	S31	savanna					A18	black			
	G11	metropole blue					C18	graphite grey			
	J31	nephrite green					S18	savanna			
	M31	boxster red					G18	metropole blue			
	D12	dark grey					B18	space grey			
	T12	brown/natural				29	996 552 087 05	cover leatherette	/L 00-	1	M 581
	P12	cinnamon brown					A12	black			
19	999 920 017 40	special nut 3,5 X 2,5 X 5		8			C52	graphite grey			
20	996 552 097 01	lock		1			S32	savanna			
	01C	satin black					G12	metropole blue			
21	996 552 907 00	lock cylinder w/o stipulated lock number		1			B52	space grey	-00		
21	996 552 907 01	lock cylinder state lock number		1			J32	nephrite green	01-		
23	996 637 211 00	support		1		(29)	996 552 088 05	cover leatherette	/R 00-	1	M 581
24	996 613 205 00	microswitch		1			A12	black			
25	999 919 121 09	oval-head screw 5 X 16		3			C52	graphite grey			
26	999 920 017 40	special nut 3,5 X 2,5 X 5		3			S32	savanna			
27	999 507 476 01	clamp 8,0 X 10,2		25			G12	metropole blue			
28	996 552 695 00	coin box		1			B52	space grey	-00		
	01C	satin black					J32	nephrite green	01-		
						29	996 552 087 03	cover leather	/L	1	M 581

Model	Year	MG	SG	Illustration	Restrictions	Update	13:05	23.08.2006	PORSCHE	PET	PORSCHE
996	05	8	09	809-20		203					

Pos	Part Number	Name	Remarks	Qty	Model	Pos	Part Number	Name	Remarks	Qty	Model
	A11	black					EOW	granite grey silver	99		
	C51	graphite grey					EOY	black	00-		
	S31	savanna					ETR	graphite grey	00-		
	J31	nephrite green					ETS	savanna	00-		
	M31	boxster red					ETT	metropole blue	00-		
	G11	metropole blue					ETU	space grey	00		
	B51	space grey					ETV	nephrite green	00-		
	D12	dark grey	00-				ETW	boxster red	00-		
	T12	brown/natural	00-				FAO	cinnamon brown	01-		
	P12	cinnamon brown	01-								
(29)	996 552 088 03	cover leather	/R	1	M 581	(30)	996 552 259 01	cover lacquered	/RL99-02	1	M 249
	A11	black					EOW	granite grey silver	99		
	C51	graphite grey					EOY	black	00-		
	S31	savanna					ETR	graphite grey	00-		
	J31	nephrite green					ETS	savanna	00-		
	M31	boxster red					ETT	metropole blue	00-		
	G11	metropole blue					ETU	space grey	00		
	B51	space grey					ETV	nephrite green	00-		
	D12	dark grey	00-				ETW	boxster red	00-		
	T12	brown/natural	00-				FAO	cinnamon brown	01-		
	P12	cinnamon brown	01-			30	996 552 259 02	cover lacquered	/LL 03-	1	M 249
(30)	996 552 655 01	retaining frame		1	M 481		EOU	black			
30	996 552 257 02	cover lacquered	/LL 98	1	M 249		EOZ	graphite grey			
	EJM	granite grey					EPA	savanna			
(30)	996 552 257 04	cover lacquered	/RL 98	1	M 249		EPB	metropole blue			
	EJM	granite grey					EPD	nephrite green	-03		
(30)	996 552 259 00	cover lacquered	/LL99-02	1	M 249		EPE	boxster red			
							EPF	cinnamon brown			

Model	Year	MG	SG	Illustration	Restrictions	Update	13:05	23.08.2006	PORSCHE	PET	PORSCHE
996	05	8	09	809-20		203					

Pos	Part Number	Name	Remarks	Qty	Model	Pos	Part Number	Name	Remarks	Qty	Model
(30)	996 552 259 03	cover lacquered	/RL 03-	1	M 249	30	996 552 977 26	cover leather	/LL 03-	1	XY5+M249
	EOU	black					VRK	black			
	EOZ	graphite grey					C51	graphite grey			
	EPA	savanna					S31	savanna			
	EPB	metropole blue					G11	metropole blue			
	EPD	nephrite green	-03				J31	nephrite green			
	EPE	boxster red					M31	boxster red			
	EPF	cinnamon brown					P12	cinnamon brown			
(30)	996 552 977 20	cover leather	/LL01-02	1	XY5+M 249		D12	dark grey/natural			
	VRK	black					T12	brown/natural			
	C51	graphite grey				(30)	996 552 977 27	cover leather	/RL 03-	1	XY5+M249
	S31	savanna					VRK	black			
	J31	nephrite green					C51	graphite grey			
	M31	boxster red					S31	savanna			
	G11	metropole blue					G11	metropole blue			
	T12	brown/natural					J31	nephrite green			
	D12	dark grey					M31	boxster red			
	P12	cinnamon brown					P12	cinnamon brown			
(30)	996 552 977 21	cover leather	/RL01-02	1	XY5+M 249		D12	dark grey/natural			
	VRK	black					T12	brown/natural			
	C51	graphite grey				31	996 552 687 00	slide		1	M 249
	S31	savanna					01C	satin black			
	J31	nephrite green				32	996 552 283 02	cover handbrake		1	
	M31	boxster red					D05	granite grey	-99		
	G11	metropole blue					A03	black	00-		
	T12	brown/natural					C53	graphite grey	00-		
	D12	dark grey					S33	savanna	00-		
	P12	cinnamon brown					G13	metropole blue	00-		

Model	Year	MG	SG	Illustration	Restrictions	Update	13:05	23.08.2006	PORSCHE	PET	PORSCHE
996	05	8	09	809-20		203					

Pos	Part Number	Name	Remarks	Qty	Model	Pos	Part Number	Name	Remarks	Qty	Model
	B13	space grey	00				A18	black	-99		
	J33	nephrite green	-03				C18	graphite grey	-99		
	M33	boxster red	00-				S18	savanna	-99		
	P13	cinnamon brown	01-				G18	metropole blue	-99		
32	996 552 283 03	cover handbrake lacquered	04	1	M 095		B18	space grey	-99		
	M7Z	gt silver metallic					A12	black	00-		
32	996 552 993 00	cover handbrake leather	01-	1	XMZ		C52	graphite grey	00-		
	A11	black					S32	savanna	00-		
	C51	graphite grey					G12	metropole blue	00-		
	S31	savanna					B52	space grey	00		
	G11	metropole blue				(33)	996 552 090 02	cover leatherette	/R	1	COUPE/TARGA
	J31	nephrite green					A18	black	-99		
	M31	boxster red					C18	graphite grey	-99		
	T12	brown/natural	00-				S18	savanna	-99		
	D12	dark grey	00-				G18	metropole blue	-99		
	P12	cinnamon brown	01-				B18	space grey	-99		
32	996 552 993 02	cover handbrake carbon	01-	1	XMJ		A12	black	00-		
							C52	graphite grey	00-		
32	996 552 993 03	cover handbrake rootwood light	01-	1	XML		S32	savanna	00-		
							G12	metropole blue	00-		
32	996 552 993 04	cover handbrake rootwood dark	01-	1	XNB		B52	space grey	00		
						(33)	996 552 089 05	cover lacquered	/L	1	CABRIO
32	996 552 993 01	cover handbrake lacquered	03-	1	XCE		D05	granite grey	99		
	V03	sport silver					A03	black	00-		
33	996 552 089 02	cover leatherette	/L	1	COUPE/TARGA		C53	graphite grey	00-		
							S33	savanna	00-		

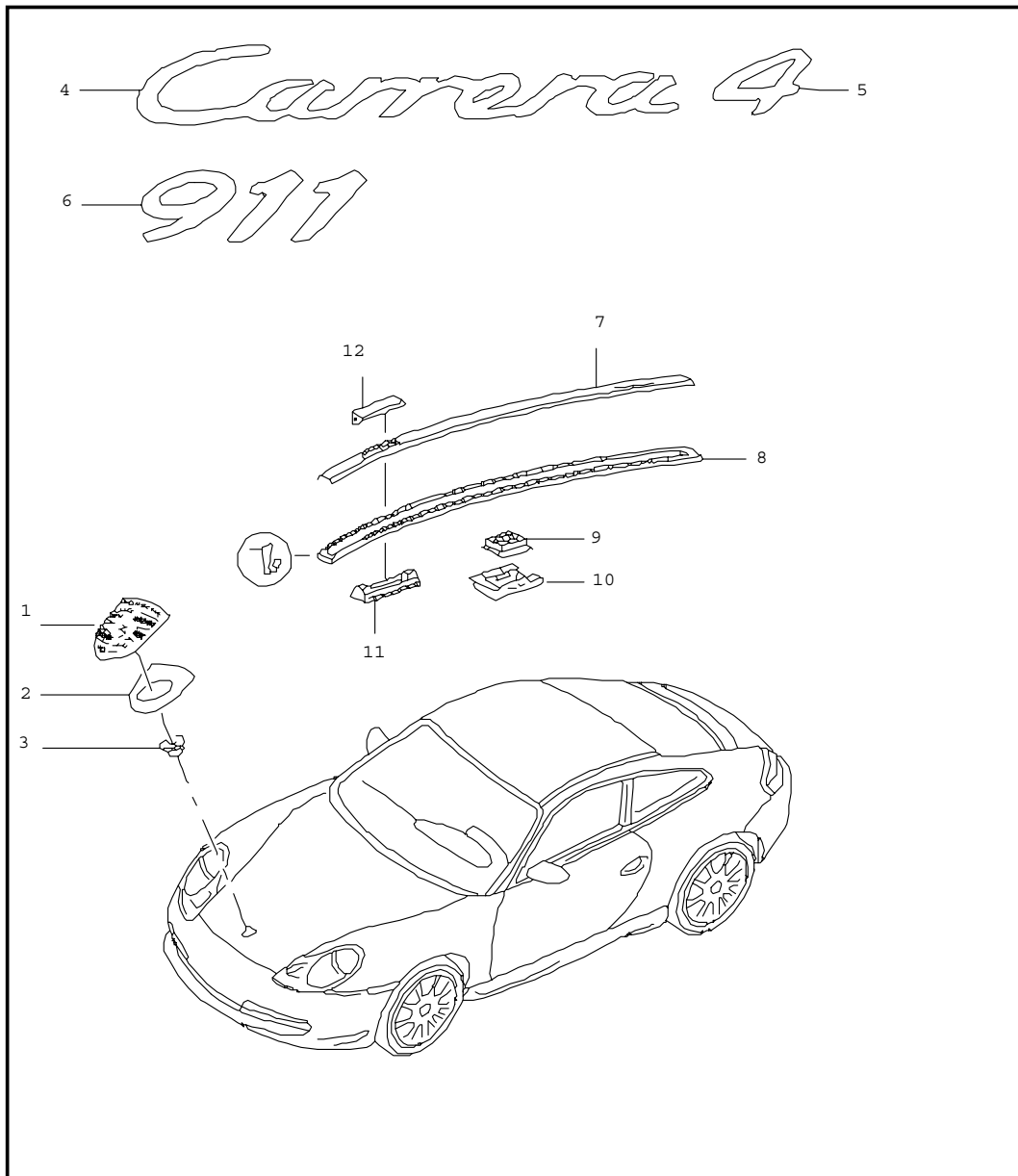
Model	Year	MG	SG	Illustration	Restrictions	Update	13:05	23.08.2006	PORSCHE	PET	PORSCHE
996	05	8	09	809-20		203					

Pos	Part Number	Name	Remarks	Qty	Model	Pos	Part Number	Name	Remarks	Qty	Model
	G13	metropole blue	00-				C51	graphite grey			
	J33	nephrite green	00-				S31	savanna			
	M33	boxster red	00-				J31	nephrite green	-03		
	B13	space grey	00				M31	boxster red			
	P13	cinnamon brown	01-				G11	metropole blue			
(33)	996 552 090 05	cover lacquered	/R	1	CABRIO		B51	space grey	-00		
	D05	granite grey	99				D12	dark grey	00-		
	A03	black	00-				T12	brown/natural	00-		
	C53	graphite grey	00-				P12	cinnamon brown	01-		
	S33	savanna	00-			33	996 552 089 04	cover leather	/L	1	CABRIO
	G13	metropole blue	00-				A11	black			
	J33	nephrite green	00-				C51	graphite grey			
	M33	boxster red	00-				S31	savanna			
	B13	space grey	00				J31	nephrite green	-03		
	P13	cinnamon brown	01-				M31	boxster red			
33	996 552 089 03	cover leather	/L	1	COUPE/TARGA		G11	metropole blue			
	A11	black					B51	space grey	-00		
	C51	graphite grey					D12	dark grey	00-		
	S31	savanna					T12	brown/natural	00-		
	J31	nephrite green	-03				P12	cinnamon brown	01-		
	M31	boxster red				(33)	996 552 090 04	cover leather	/R	1	CABRIO
	G11	metropole blue					A11	black			
	B51	space grey	-00				C51	graphite grey			
	D12	dark grey	00-				S31	savanna			
	T12	brown/natural	00-				J31	nephrite green	-03		
	P12	cinnamon brown	01-				M31	boxster red			
(33)	996 552 090 03	cover leather	/R	1	COUPE/TARGA		G11	metropole blue			
	A11	black					B51	space grey	-00		

Model	Year	MG	SG	Illustration	Restrictions	Update	13:05	23.08.2006	PORSCHE	PET	PORSCHE
996	05	8	09	809-20		203					

Pos	Part Number	Name	Remarks	Qty	Model	Pos	Part Number	Name	Remarks	Qty	Model
	D12	dark grey	00-								
	T12	brown/natural	00-								
	P12	cinnamon brown	01-								
36	996 552 691 00	retaining belt with retaining pin		1							
(36)	996 552 960 01	hinge set repair material	-01	1							
(36)	996 552 507 00	hinge	02-	1							
--	999 073 228 09	tapping screw 4,8 X 13	02-	2							
37	996 552 795 01	spring		1							
38	996 552 793 01	retaining bracket package box cover		1							
39	999 507 645 02	threaded piece		2							
40	999 073 081 02	tapping screw 4,2 X 13		2							
		- - - E N D - - -									

Model	Year	MG	SG	Illustration	Restrictions	Update	13:05	23.08.2006	PORSCHE	PET	PORSCHE
996	05	8	10	810-00		203					



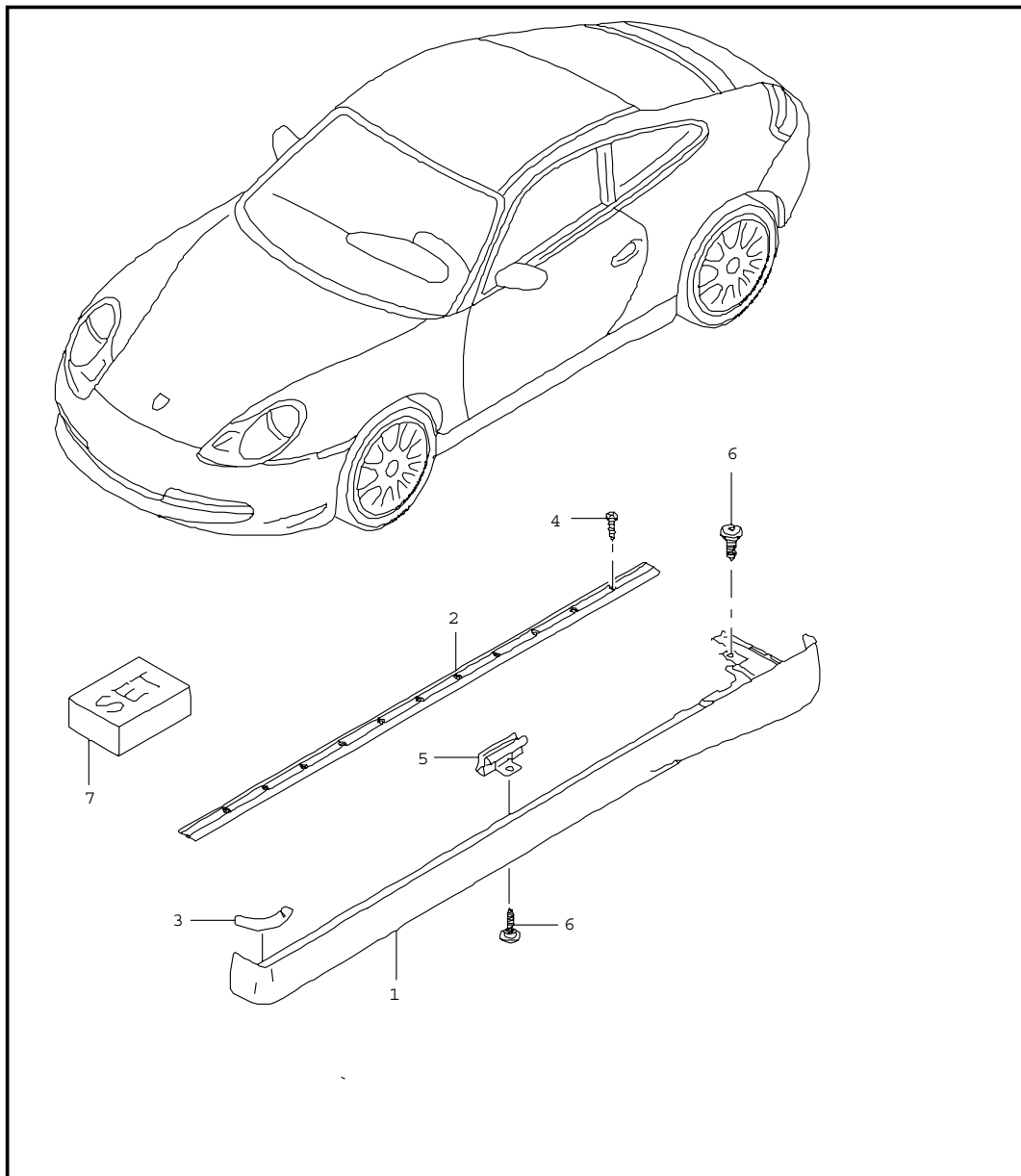
Pos	Part Number	Name	Remarks	Qty	Model
		insignias decorative fittings			
1	993 559 211 00	lid emblem	-00	1	
1	996 559 211 00	lid emblem	01-	1	
2	901 559 215 20	desk pad	-02	1	
2	7L5 853 611 B	desk pad	03-	1	
3	999 591 423 03	tapping nut		2	
4	996 559 237 06	logo * CARRERA * rear lid upper	-01	1	M338
	70C	rally black			
4	996 559 237 06	logo * CARRERA * rear lid upper	04-	1	MXAA/338
	70C	rally black			
4	996 559 237 09	logo *CARRERA * rear lid lower	02-	1	M338
	70C	rally black			
(4)	996 559 237 07	logo * CARRERA * rear lid upper	-01	1	M339
	4PU	silver			
(4)	996 559 237 07	logo * CARRERA * rear lid upper	02-	1	C4S/M339
	4PU	silver			
(4)	996 559 237 07	logo * CARRERA * rear lid upper	04-	1	XAA/M339
	4PU	silver			



Model	Year	MG	SG	Illustration	Restrictions	Update	13:05	23.08.2006	PORSCHE	PET	PORSCHE
996	05	8	10	810-00		203					

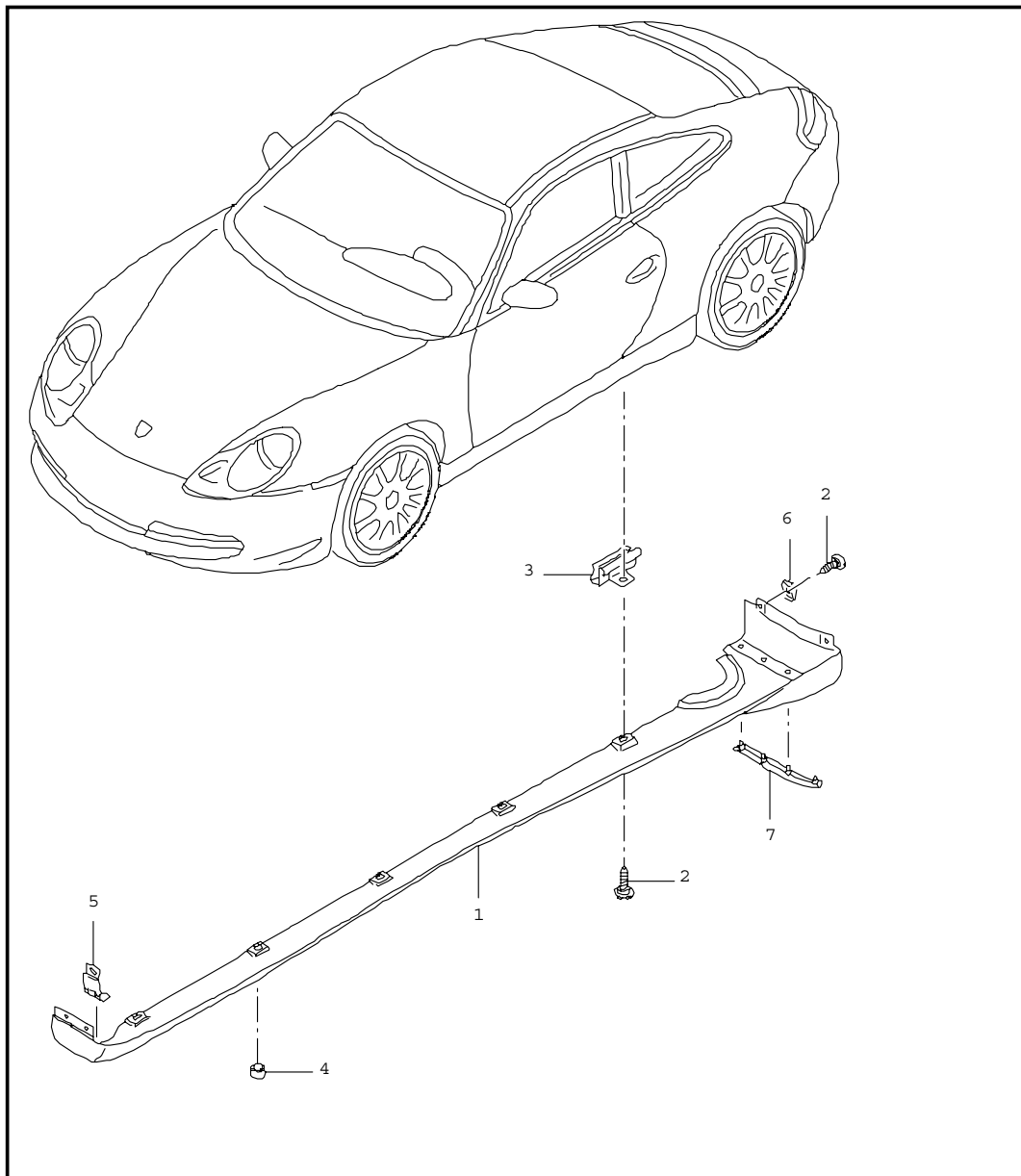
Pos	Part Number	Name	Remarks	Qty	Model	Pos	Part Number	Name	Remarks	Qty	Model
(4)	996 559 237 10	logo * CARRERA * rear lid lower  4PU silver	02-	1	M339		G2X	prime coated			
						(8)	996 559 721 00	gasket	/L	1	
						8	996 559 722 00	gasket	/R	1	
						9	996 559 405 01	adapter		10	
5	996 559 241 01	logo * 4 * rear lid upper  4PU silver	-01	1	M339	10	996 559 403 01	clip		10	
						11	996 559 729 00	bracket for flap		4	
5	996 559 241 01	logo * 4 * rear lid upper  4PU silver	02-	1	C4S/M339	12	996 559 501 00	flap	/V	2	
							G2X	prime coated			
						(12)	996 559 503 00	flap	/H	2	
							G2X	prime coated			
5	996 559 241 01	logo * 4 * rear lid upper  4PU silver	04-	1	XAA/M339						
									- - - E N D - - -		
(5)	996 559 241 02	logo * 4 * rear lid lower  4PU silver	02-	1	M339						
-	996 559 243 00	logo * S *  D04 grey	02-	1	C4S						
-	996 559 237 08	logo * TARGA *  70C rally black	02-	1	TARGA						
6	996 559 237 05	logo 911 silver	00	1	M094						
(6)	996 559 237 11	logo 911	04	1	M095						
(7)	996 559 401 00	roof edge strip  G2X prime coated	/L	1							
(7)	996 559 402 00	roof edge strip	/R	1							

Model	Year	MG	SG	Illustration	Restrictions	Update	13:05	23.08.2006	PORSCHE	PET	PORSCHE
996	05	8	10	810-05		203					



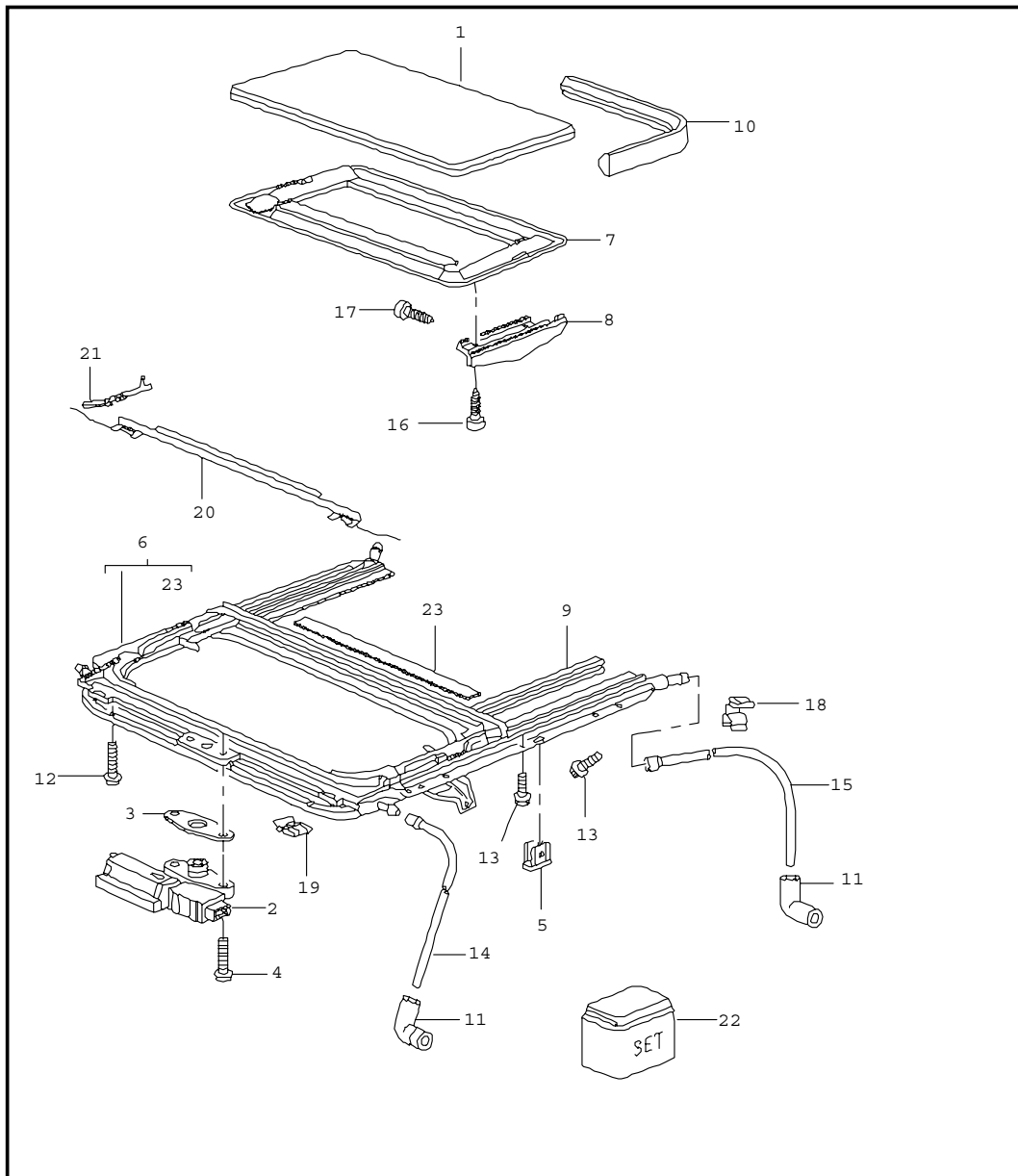
Pos	Part Number	Name	Remarks	Qty	Model
		sill cover			X 76
1	996 559 983 02	sill cover	/L -	1	
	G2X	prime coated			
(1)	996 559 984 02	sill cover	/R -	1	
	G2X	prime coated			
1	996 559 983 03	sill cover	/L 0	1	XAA/X76
	G2X	prime coated			
(1)	996 559 984 03	sill cover	/R 0	1	XAA/X76
	G2X	prime coated			
2	996 559 982 00	retaining strip		2	
3	996 559 985 01	adhesive film	/L -02	1	
(3)	996 559 986 01	adhesive film	/R -02	1	
(3)	986 559 990 02	adhesive film	03-	2	
4	900 145 041 07	counters. head tapp. screw ST 3,5 X 16		22	
5	999 507 640 09	u-clamp		18	
6	999 073 231 09	tapping screw 4,8 X 16		20	
6	999 073 061 02	tapping screw 4,8 X 16		2	
7	000 044 000 37	adhesive set		1	
- - - E N D - - -					

Model	Year	MG	SG	Illustration	Restrictions	Update	13:05	23.08.2006	PORSCHE	PET	PORSCHE
996	05	8	10	810-06		203					



Pos	Part Number	Name	Remarks	Qty	Model
		trim door sill single parts			CARRERA 4
1	996 504 363 00	sill cover	/L	1	
	01C	satin black			
(1)	996 504 364 00	sill cover	/R	1	
	01C	satin black			
1	996 504 363 01	sill cover	/L 02-	1	MXAH
	G2X	prime coated			
1	996 504 364 01	sill cover	/R 02-	1	MXAH
	G2X	prime coated			
2	N 906 487 02	tapping screw 4,8 X 16		10	
3	999 507 640 09	clamp 3,30 - 4,00		10	
4	996 504 715 00	grommet		20	
5	996 504 743 00	support	/L	1	
(5)	996 504 744 00	support	/R	1	
6	999 507 668 02	speed nut 4,8		4	
7	996 504 893 00	rubber lip	/L	1	
(7)	996 504 894 00	rubber lip	/R	1	
- - - E N D - - -					

Model	Year	MG	SG	Illustration	Restrictions	Update	13:06	23.08.2006	PORSCHE	PET	PORSCHE
996	05	8	11	811-00		203					

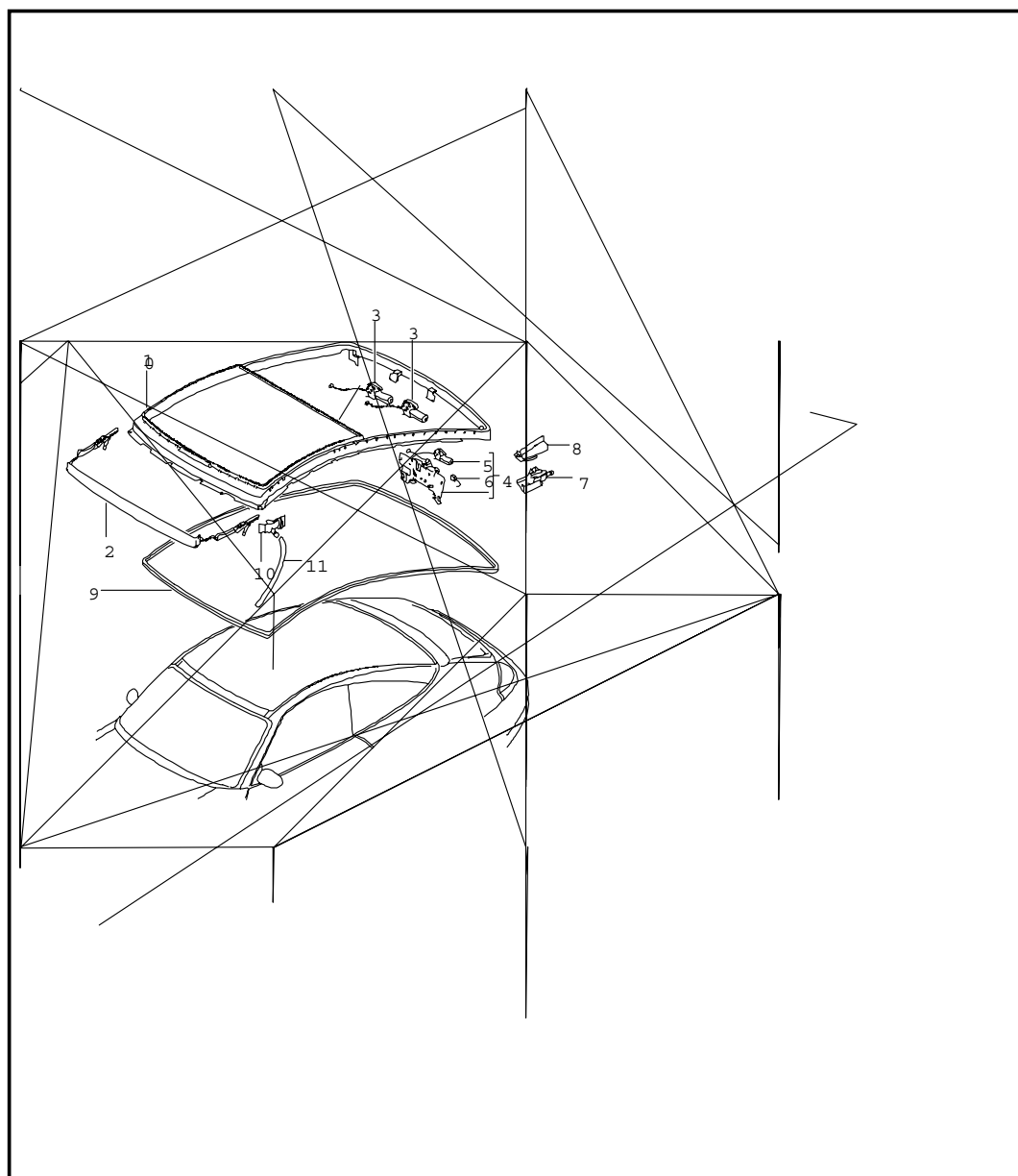


Pos	Part Number	Name	Remarks	Qty	Model
		sunroof			M 650
1	996 564 941 01	cover		1	
		GRV	prime coated		
2	A 996 624 211 02	driving mechanism		1	
2	997 624 211 00	driving mechanism		1	
3	996 564 213 00	spacer		1	
4	999 073 135 07	oval-head screw		2	
5	999 703 258 41	clip		2	
6	996 564 015 02	frame complete for cars up to 01.01 use also:		1	
-	996 564 915 00	assembly kit		1	
7	996 564 021 01	roof lining	-99	1	
		A10	black		
		B50	space grey		
		C50	graphite grey		
		G10	metropole blue		
		S30	savanna		
7	996 564 021 02	roof lining	00	1	
		A14	black		
		C54	graphite grey		
		G14	metropole blue		
		S34	savanna		
7	996 564 021 03	roof lining	01-	1	
		A14	black		
		C54	graphite grey		
		S34	savanna		
		G14	metropole blue		
		J34	nephrite green		

Model	Year	MG	SG	Illustration	Restrictions	Update	13:06	23.08.2006	PORSCHE	PET	PORSCHE
996	05	8	11	811-00		203					

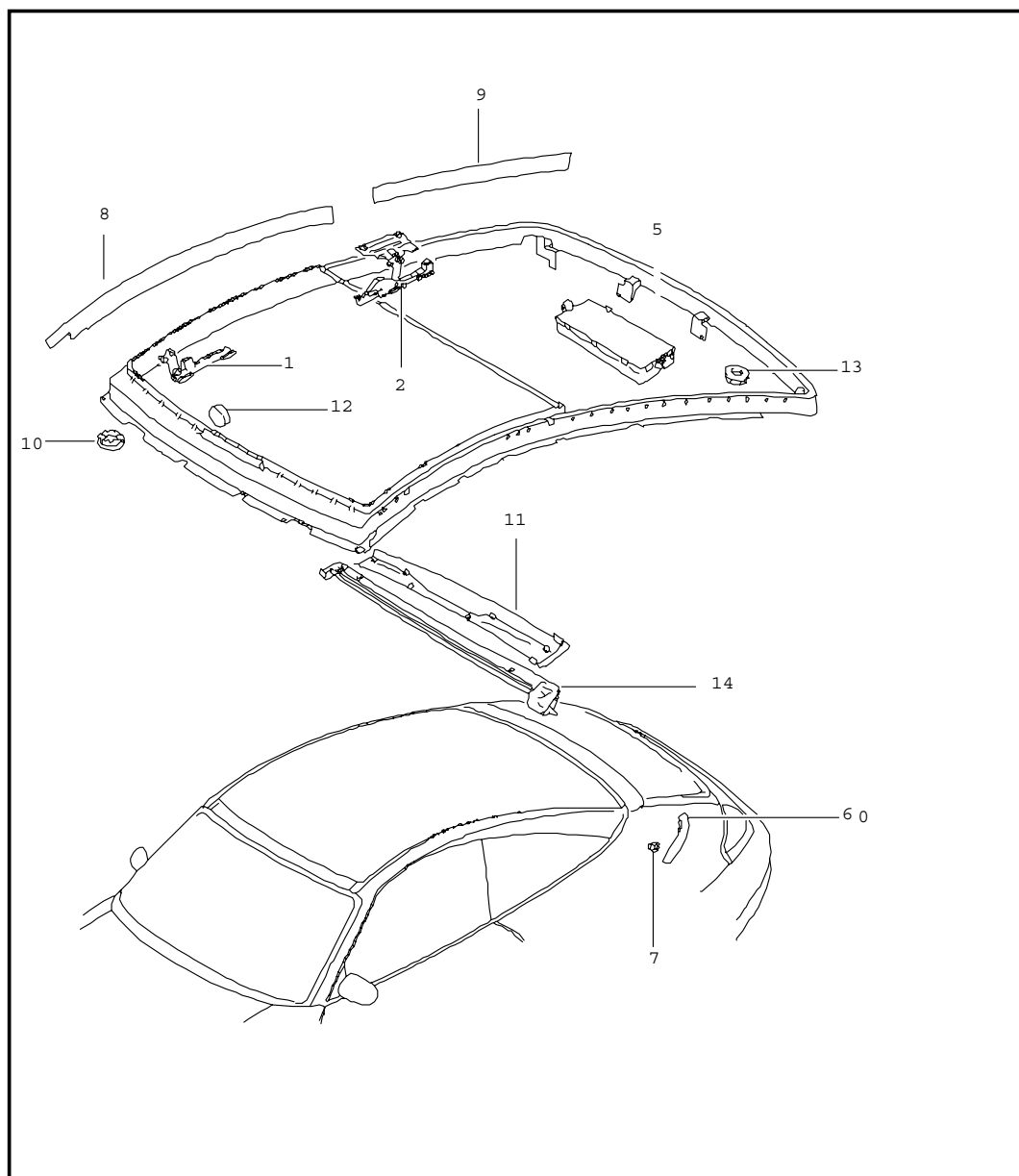
Pos	Part Number	Name	Remarks	Qty	Model	Pos	Part Number	Name	Remarks	Qty	Model
7	996 564 021 04	roof lining alcantara		1		13	999 073 130 02	oval-head screw M6X16		6	
	A14	black				14	996 564 207 00	water drain hose front		2	
	C54	graphite grey				15	996 564 237 01	water drain hose rear		2	
	G14	metropole blue				16	900 143 133 07	oval-head sheetmetal screw		4	
	S34	savanna				17	996 564 245 00	screw		4	
	J34	nephrite green				18	999 507 631 02	cable holder		6	
7	996 564 983 00	roof lining leather	02-	1		19	999 591 348 02	speed nut		2	
	A11	black				20	996 564 161 02	air deflector		1	
	C51	graphite grey				21	996 564 521 01	hinge		1	
	S31	savanna				(21)	996 564 522 01	hinge		1	
	G11	metropole blue				--	996 564 950 00	sound absorber for roof lining		1	
	J31	nephrite green				22	996 564 915 00	assembly kit for frame		1	
	M31	boxster red				23	996 564 907 01	protective edging		1	
	D12	dark grey/natural						- - - E N D - - -			
	T12	natural brown									
8	996 564 181 00	cover outer	/L	1							
	01C	black									
(8)	996 564 182 00	cover outer	/R	1							
	01C	black									
9	996 564 241 00	cover inner	/L	1							
(9)	996 564 242 00	cover inner	/R	1							
10	996 564 211 01	gasket	-01	1							
10	996 564 211 01	gasket	02-	1							
11	999 702 248 41	grommet		4							
12	999 073 131 02	oval-head screw M6X25 M6X30		4							

Model	Year	MG	SG	Illustration	Restrictions	Update	13:06	23.08.2006	PORSCHE	PET	PORSCHE
996	05	8	11	811-01		203					



Pos	Part Number	Name	Remarks	Qty	Model
		glass roof			TARGA
1	996 562 905 01	frame		1	
2	996 562 953 00	air deflector		1	
3	996 624 221 00	electric drive		2	
--	996 562 315 00	cable	/L	1	
--	996 562 316 00	cable	/R	1	
4	996 562 335 00	catch		1	
4	997 562 335 00	catch		1	
5	996 624 231 00	driving mechanism		1	
6	996 613 231 00	microswitch		1	
7	996 562 439 00	water drain tube	/L	1	
(7)	996 562 440 00	water drain tube	/R	1	
-	999 190 172 30	blind rivet		2	
8	996 562 437 00	cover	/L	1	
(8)	996 562 438 00	cover	/R	1	
9	996 562 425 00	sealing strap		1	
10	996 562 401 00	water drain tube	/L	1	
(10)	996 562 402 00	water drain tube	/R	1	
11	996 562 203 01	water drain hose		2	
-	996 562 910 00	guide with wiring harness shade		1	
-	996 612 344 00	wiring harness shade		1	
-	000 043 157 00	cleaning agents 30 ML		1	
-	999 703 488 40	buffer		2	
-	996 562 913 00	guide tube with drive shaft		1	
		- - - E N D - - -			

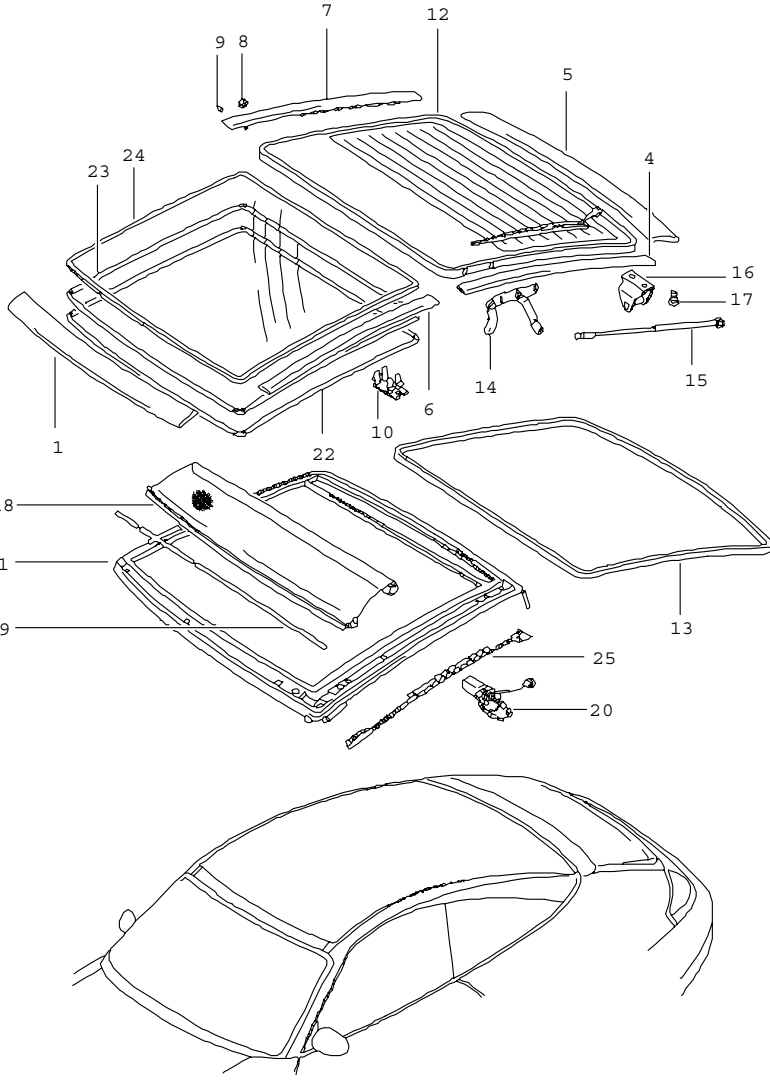
Model	Year	MG	SG	Illustration	Restrictions	Update	13:06	23.08.2006	PORSCHE	PET	PORSCHE
996	05	8	11	811-02		203					



Pos	Part Number	Name	Remarks	Qty	Model
		glass roof driving mechanism			TARGA
--	996 562 906 00	repair kit knock-out lever comprising: POS. 1 + 2		1 1	
5	996 618 241 00	control unit		1	
--	996 612 343 00	wiring harness		1	
6	996 562 541 00	cover	/L	1	
		GRV prime coated			
(6)	996 562 542 00	cover	/R	1	
		GRV prime coated			
7	893 853 231 A	clamping bush		4	
8	996 562 407 00	cover	/L	1	
(8)	996 562 408 00	cover	/R	1	
9	996 562 911 00	cover	/L	1	
9	996 562 404 00	cover	/R	1	
10	999 703 866 40	cap		3	
11	996 562 943 00	lining		1	
12	986 561 633 01	buffer		2	
13	999 084 456 09	nut		X	
14	996 562 459 00	profile strip		1	
--	996 562 427 00	bracket for profile strip		1	
		- - - E N D - - -			

Model	Year	MG	SG	Illustration	Restrictions	Update	13:06	23.08.2006	PORSCHE	PET	PORSCHE
996	05	8	11	811-03		203					

Pos	Part Number	Name	Remarks	Qty	Model
		glass roof linings			TARGA
1	996 562 021 00	cover cowl		1	
2	996 562 523 00	gasket cover cowl		1	
3	999 919 207 09	oval-head screw		3	
4	996 562 651 00	trim	/L	1	
(4)	996 562 652 00	trim	/R	1	
5	996 562 653 00	trim	/H	1	
(5)	996 562 928 00	trim rear window	/H	1	
6	996 562 303 00	cover strip	/L	1	
(6)	996 562 304 00	cover strip	/R	1	
7	996 562 341 00	cover		1	
(7)	996 562 342 00	cover	/R	1	
8	999 076 073 07	hexagon nut		2	
9	900 228 017 09	threaded pin		2	
10	996 562 409 00	clip		X	
12	996 562 323 00	rear lid		1	
12	996 562 323 01	rear lid		1	M 425
13	996 562 337 00	gasket		1	
14	996 562 319 00	hinge	/L	1	
(14)	996 562 320 00	hinge	/R	1	
15	996 562 429 00	gas-filled strut	/L	1	
(15)	996 562 430 00	gas-filled strut	/R	1	
16	996 562 325 00	clip		1	
--	996 562 461 00	cap		1	
17	900 228 017 09	stud		2	
18	996 562 405 00	shade		1	
--	996 562 431 00	cable		1	

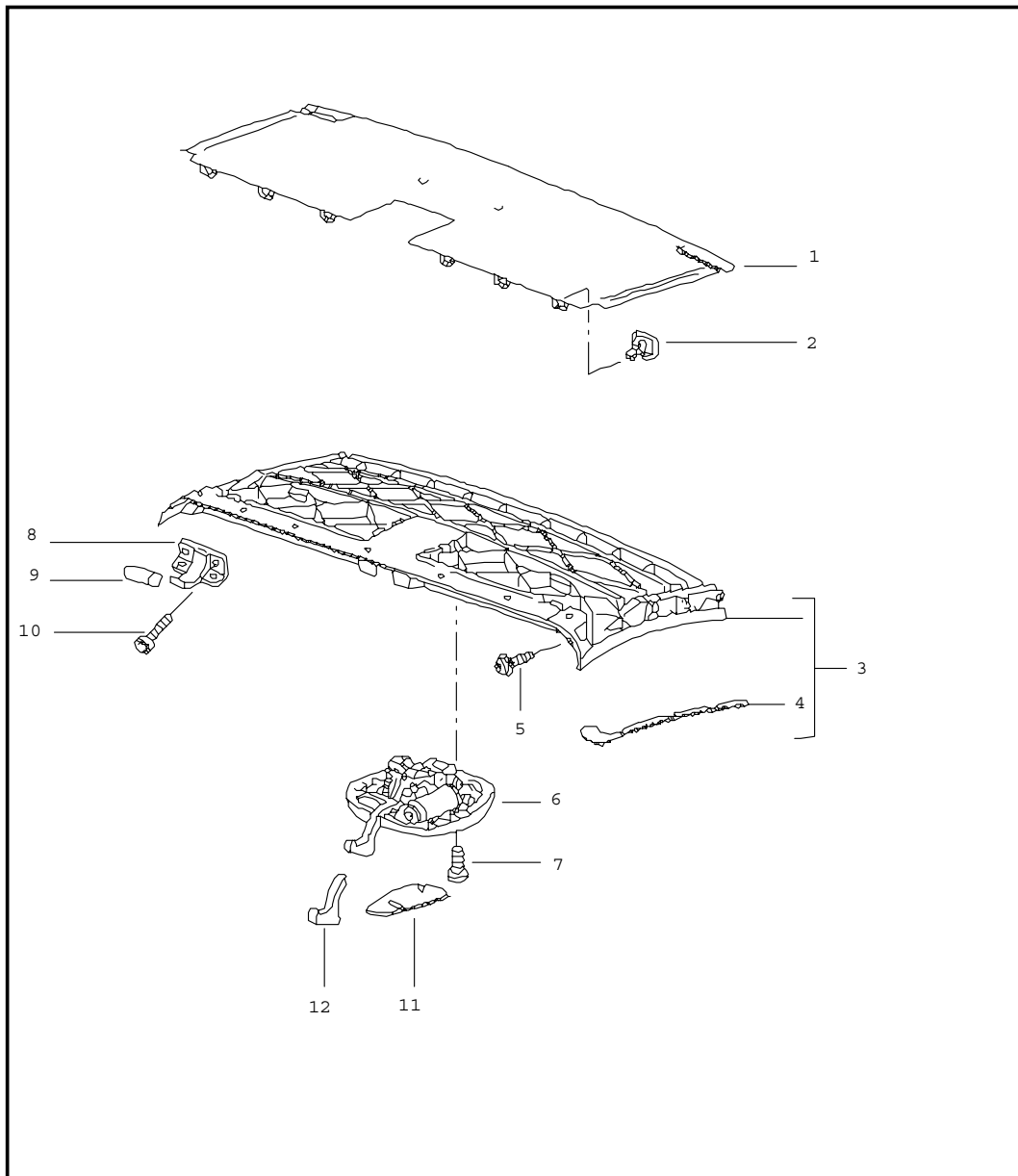




Model	Year	MG	SG	Illustration	Restrictions	Update	13:06	23.08.2006	PORSCHE	PET	PORSCHE
996	05	8	11	811-03		203					

Pos	Part Number	Name	Remarks	Qty	Model	Pos	Part Number	Name	Remarks	Qty	Model
19	996 562 901 00	bow		1							
20	996 624 241 00	engine		1							
--	996 613 221 00	microswitch		1							
21	996 562 333 02	frame	F >>	1							
--	996 562 933 01	repair kit retaining frame	F_995S6	1							
--	999 073 262 09	torx screw M 5X14		10							
22	996 562 455 00	gasket		1							
23	996 562 331 00	gasket		1							
24	996 562 329 00	glass roof		1							
--	996 562 903 00	spacer sleeve set		1							
25	996 562 907 00	cover	/L	1							
(25)	996 562 908 00	cover	/R	1							
--	996 562 459 00	profile strip sunroof		1							
--	996 562 441 00	gasket centre piece		1							
--	999 703 100 40	buffer rear lid		2							
--	000 043 157 00	cleaning agents 30 ML		1							
--	996 562 421 00	water drain valve		2							
		- - - E N D - - -									

Model	Year	MG	SG	Illustration	Restrictions	Update	13:07	23.08.2006	PORSCHE	PET	PORSCHE
996	05	8	11	811-05		203					

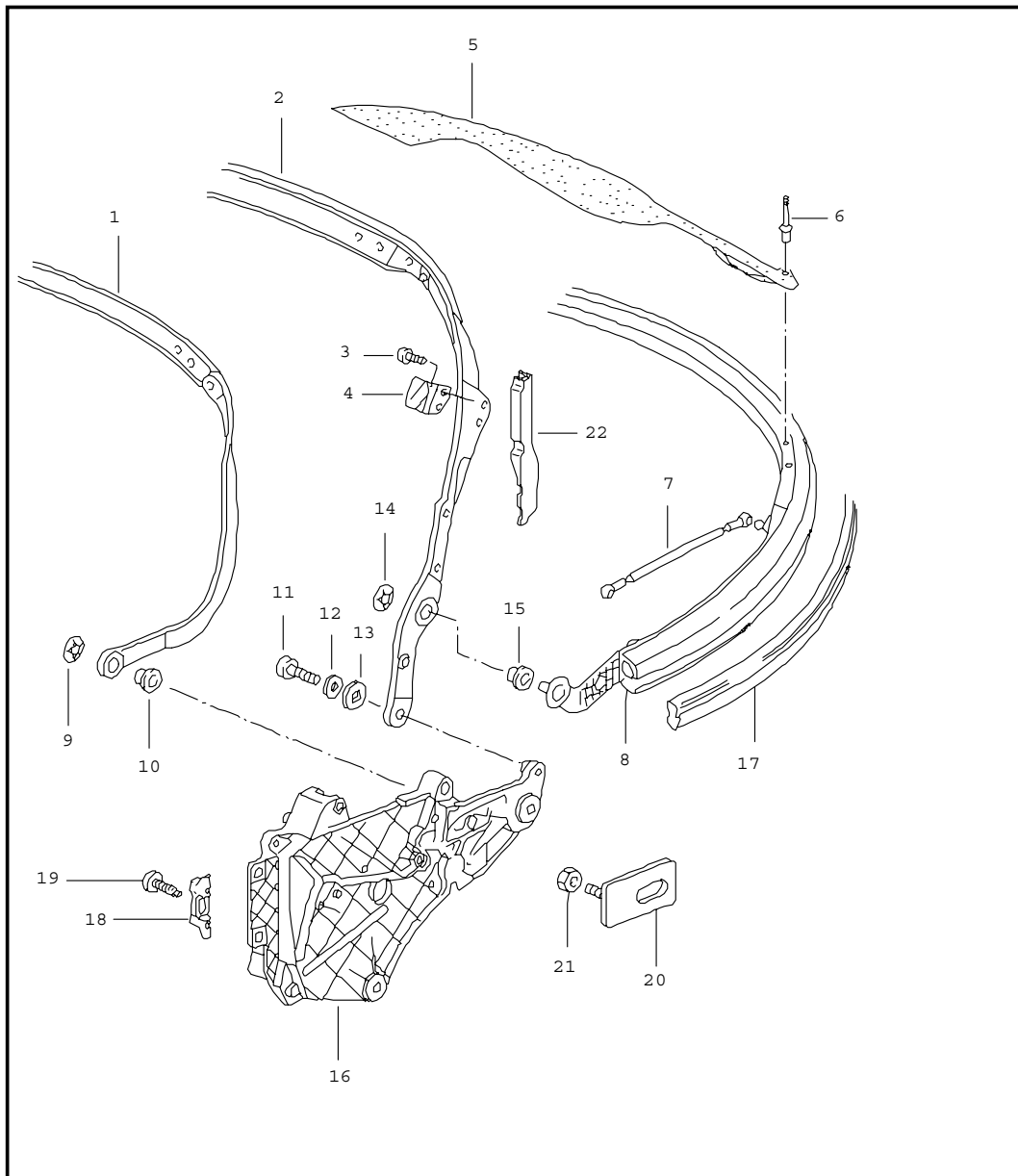


Pos	Part Number	Name	Remarks	Qty	Model
		convertible top frame			
		front			
		roof frame			
		catch			
1	996 561 963 00	base		1	
2	996 561 731 00	clip		6	
3	996 561 953 00	roof frame		1	
	A09	black			
4	996 561 807 00	gasket roof frame plastic foam strip	/L	1	
(4)	996 561 808 00	gasket roof frame plastic foam strip	/R	1	
5	996 561 247 00	expansion rivet		6	
6	996 561 017 01	catch	-04	1	
	A09	black			
(6)	997 561 117 00	catch	05-	1	
--	996 561 947 00	adapter	-04	1	
--	997 561 515 00	trim	05-	1	
	01C	black			
7	999 073 195 09	oval-head screw		4	
8	996 561 605 01	centring journal	/L -02	1	
	A09	black			
8	996 561 605 02	centring journal	/L 03-	1	
(8)	996 561 606 01	centring journal	/R -02	1	
	A09	black			
(8)	996 561 606 02	centring journal	/R 03-	1	
9	996 561 705 01	cap	/L	1	
	01C	black			
(9)	996 561 706 01	cap	/R	1	
	01C	black			
10	999 919 144 09	oval-head screw		4	

Model	Year	MG	SG	Illustration	Restrictions	Update	13:07	23.08.2006	PORSCHE	PET	PORSCHE
996	05	8	11	811-05		203					

Pos	Part Number	Name	Remarks	Qty	Model	Pos	Part Number	Name	Remarks	Qty	Model
11	996 561 837 00	cap	/L -04	1							
	D05	granite grey									
	A03	black									
(11)	996 561 838 00	cap	/R -04	1							
	D05	granite grey									
	A03	black									
11	996 561 937 00	set		1							
		cap									
12	996 561 787 00	cap		1							
	01C	black									
		- - - E N D - - -									

Model	Year	MG	SG	Illustration	Restrictions	Update	13:07	23.08.2006	PORSCHE	PET	PORSCHE
996	05	8	11	811-06		203					

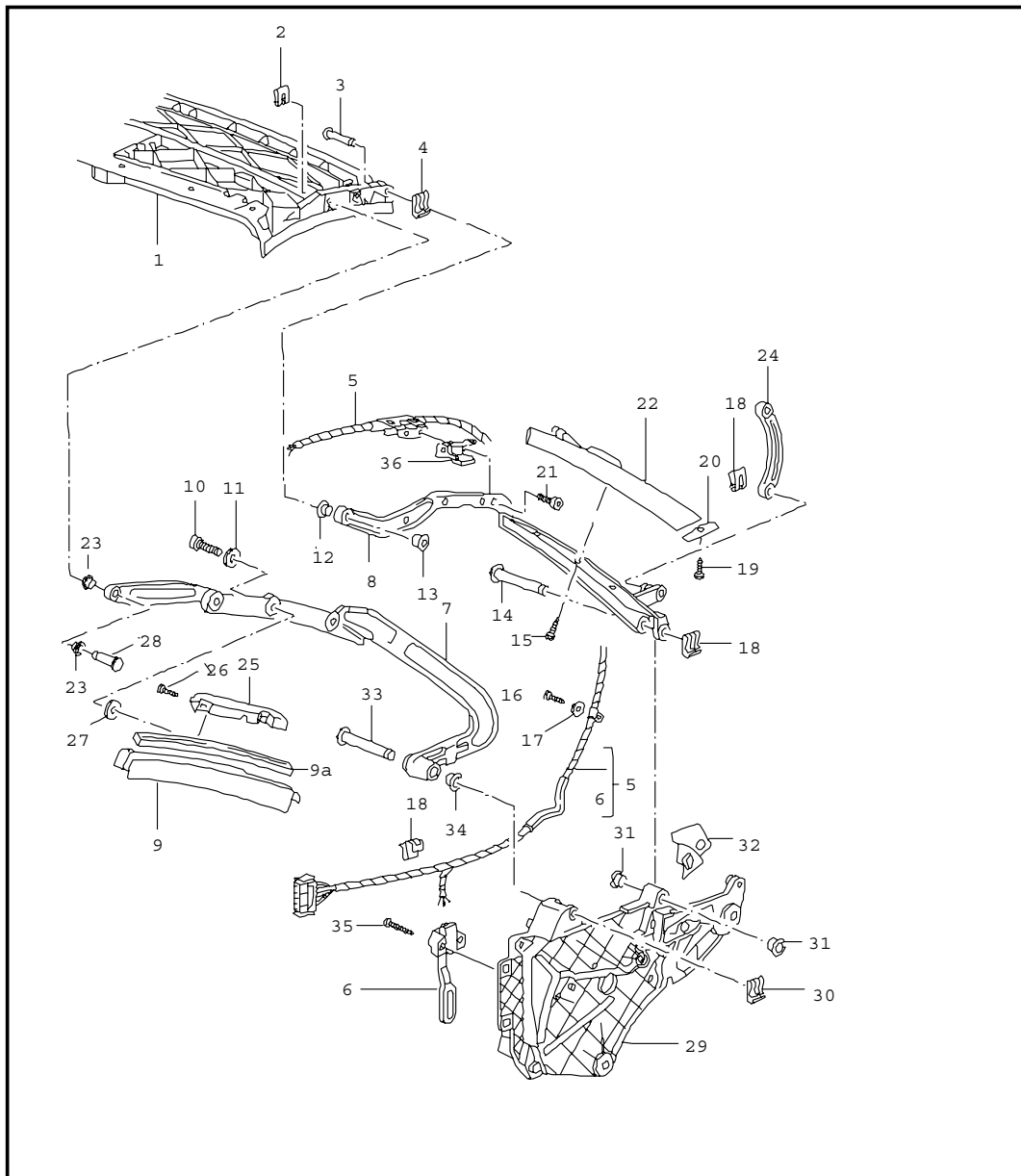


Pos	Part Number	Name	Remarks	Qty	Model
		convertible top frame single parts			
1	996 561 042 00	bow		1	
2	996 561 037 00	bow		1	
3	900 146 003 02	oval-head screw		4	
4	996 561 959 00	thrust wedge		2	
5	996 561 089 00	restraining strap	/L -01	1	
5	996 561 089 01	restraining strap	/L 02-	1	
(5)	996 561 090 00	restraining strap	/R -01	1	
(5)	996 561 090 01	restraining strap	/R 02-	1	
6	999 190 446 30	rivet		X	
7	996 561 191 00	tension rope		2	
8	996 561 041 00	bow	-01	1	
8	996 561 041 01	bow	02-	1	
9	996 561 645 00	lock		4	
10	999 924 122 40	bush		4	
11	999 073 195 09	oval-head screw		2	
12	900 151 006 09	washer		2	
13	999 924 131 30	washer		2	
14	996 561 645 00	lock		4	
15	999 924 122 40	bush		X	
16	996 561 443 00	convertible top support	/L	1	
(16)	996 561 444 00	convertible top support	/R	1	
17	996 561 693 00	additional gasket FUER bow POS.8		1	
18	996 561 735 02	adjusting shim		2	
19	999 073 138 09	screw		2	
20	996 561 715 00	support		2	
21	999 084 630 09	hexagon nut		2	

Model	Year	MG	SG	Illustration	Restrictions	Update	13:07	23.08.2006	PORSCHE	PET	PORSCHE
996	05	8	11	811-06		203					

Pos	Part Number	Name	Remarks	Qty	Model	Pos	Part Number	Name	Remarks	Qty	Model
22	996 561 259 00	gasket	/L	1							
(22)	996 561 260 00	gasket	/R	1							
--	996 561 055 01	bracket for tension rope	/L	1							
--	996 561 056 01	bracket for tension rope	/R	1							
		- - - E N D - - -									

Model	Year	MG	SG	Illustration	Restrictions	Update	13:07	23.08.2006	PORSCHE	PET	PORSCHE
996	05	8	11	811-07		203					

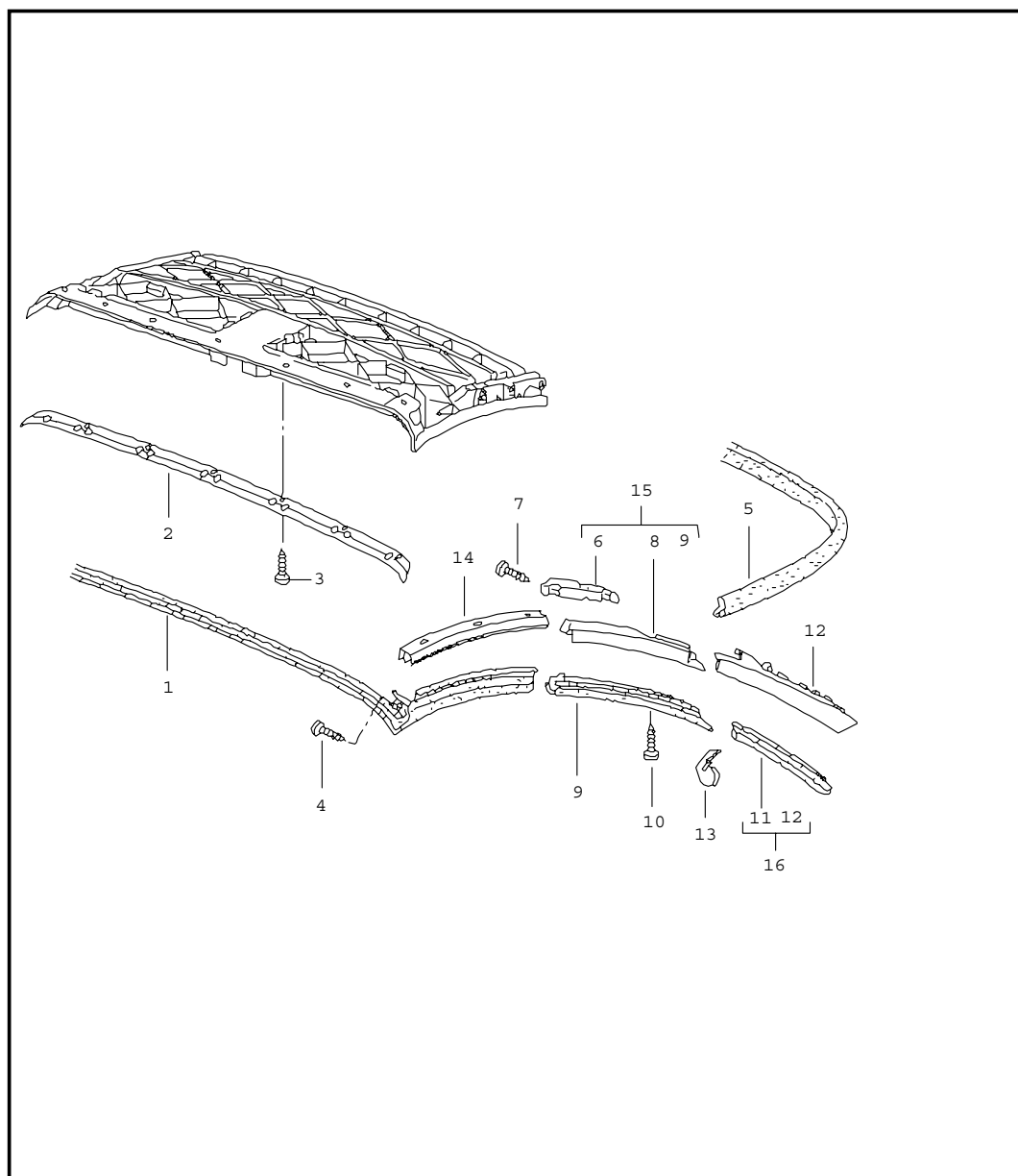


Pos	Part Number	Name	Remarks	Qty	Model
		convertible top frame single parts			
1	996 561 953 00	roof frame		1	
	A09	black			
2	999 166 075 02	lock		X	
3	999 088 041 30	bolt 8X23,2		2	
4	999 166 075 02	lock		X	
5	996 612 005 15	wiring harness	-04	1	
5	997 612 698 00	wiring harness		1	
6	996 613 313 02	potentiometer		1	
7	996 561 335 00	roof frame	/L	1	
(7)	996 561 336 00	roof frame		1	
8	996 561 339 00	roof frame	/L	1	
(8)	996 561 340 00	roof frame	/R	1	
9	996 561 355 00	sealing frame	/L	1	
	A09	black			
(9)	996 561 356 00	sealing frame	/R	1	
	A09	black			
9A	996 561 219 00	gasket for sealing frame		2	
10	999 073 195 09	screw M 6X20		X	
11	900 151 006 09	washer		X	
12	999 924 152 00	bush		2	
13	999 924 152 00	bush		2	
14	999 088 037 30	bolt		1	
15	999 919 152 09	oval-head screw		X	
16	900 144 101 02	tapping screw		X	
17	900 151 027 02	washer		8	
18	999 166 076 02	lock		X	

Model	Year	MG	SG	Illustration	Restrictions	Update	13:07	23.08.2006	PORSCHE	PET	PORSCHE
996	05	8	11	811-07		203					

Pos	Part Number	Name	Remarks	Qty	Model	Pos	Part Number	Name	Remarks	Qty	Model
19	999 919 152 09	oval-head screw		4							
20	996 561 239 00	gasket	/L	1							
(20)	996 561 240 00	gasket	/R	1							
21	N 014 128 13	oval-head screw		4							
22	996 561 319 00	frame	/L	1							
(22)	996 561 320 00	frame		1							
23	999 924 152 00	bush		4							
24	996 561 051 01	lever	/L	1							
(24)	996 561 052 01	lever	/R	1							
25	996 561 535 00	guide	/L	1							
(25)	996 561 536 00	guide	/R	1							
26	999 919 141 09	oval-head screw		4							
27	999 025 267 09	washer		8							
28	999 088 040 30	bolt		2							
29	996 561 443 00	convertible top support	/L	1							
(29)	996 561 444 00	convertible top support	/R	1							
30	999 166 076 02	lock		6							
31	999 924 125 40	bush		4							
32	996 561 249 01	sealing strip	/L -00	1							
32	996 561 249 01	gasket	/L 01-	1							
(32)	996 561 250 01	sealing strip	/R -00	1							
(32)	996 561 250 01	gasket	/R 01-	1							
33	999 088 031 30	bolt		4							
34	999 924 125 40	bush		4							
35	999 919 152 09	oval-head screw		2							
36	996 561 631 00	bracket	-01	2							
		- - - E N D - - -									

Model	Year	MG	SG	Illustration	Restrictions	Update	13:07	23.08.2006	PORSCHE	PET	PORSCHE
996	05	8	11	811-09		203					



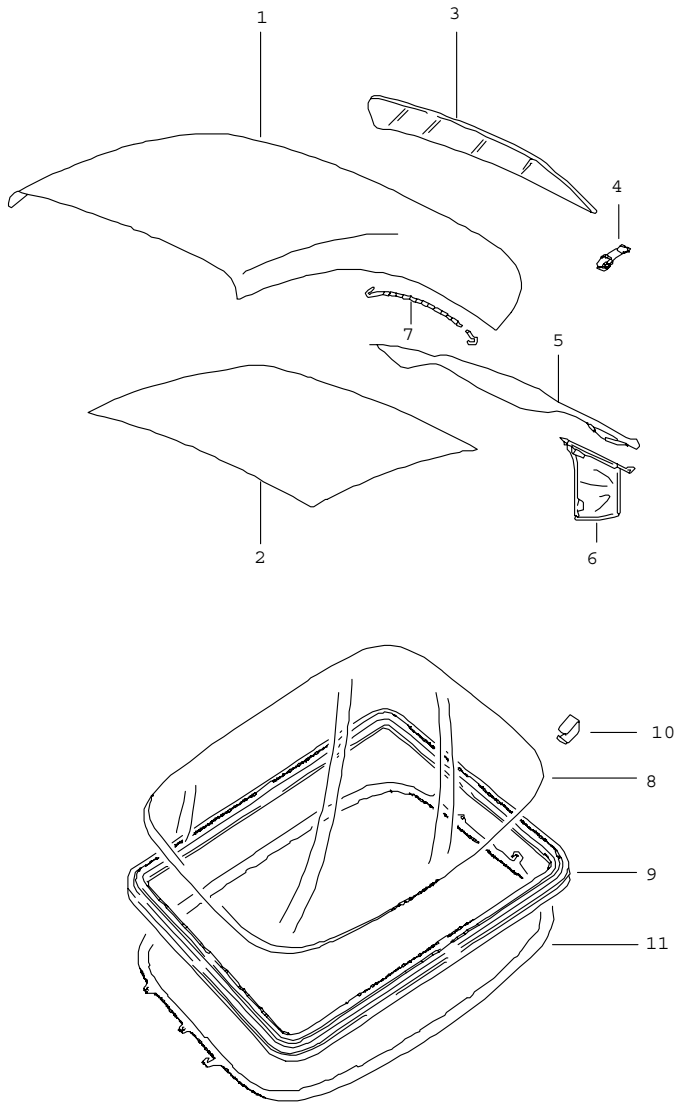
Pos	Part Number	Name	Remarks	Qty	Model
		convertible top seal			
1	996 561 027 00	roof frame seal	-04	1	
1	997 561 327 00	roof frame seal	05-	1	
2	996 561 501 01	retaining strip	-04	1	
2	997 561 501 00	retaining strip	05-	1	
3	999 919 139 09	oval-head screw		7	
4	999 919 139 09	oval-head screw		2	
5	996 561 449 00	gasket		1	
6	U 996 561 535 00	guide order Pos. 15 + 16	/L -01	1	
(6)	U 996 561 536 00	guide order Pos. 15 + 16	/R -01	1	
7	999 919 152 09	oval-head screw		4	
8	U 996 561 355 00	frame order Pos. 15 + 16	/L	1	
(8)	U 996 561 356 00	frame order Pos. 15 + 16	/R	1	
9	U 996 561 413 00	gasket order Pos. 15 + 16	/L	1	
9	U 996 561 414 00	gasket order Pos. 15 + 16	/R	1	
10	999 919 152 09	oval-head screw		8	
11	U 996 561 411 00	gasket order Pos. 15 + 16	/L	1	
(11)	U 996 561 412 00	gasket order Pos. 15 + 16	/R	1	
12	U 996 561 319 00	frame order Pos. 15 + 16	/L	1	



Model	Year	MG	SG	Illustration	Restrictions	Update	13:07	23.08.2006	PORSCHE	PET	PORSCHE
996	05	8	11	811-09		203					

Pos	Part Number	Name	Remarks	Qty	Model	Pos	Part Number	Name	Remarks	Qty	Model
12	U 996 561 320 00	frame order Pos. 15 + 16	/R	1							
13	996 561 935 00	filler piece set		2							
14	996 561 527 00	mounting	/L	1							
(14)	996 561 528 00	mounting	/R	1							
15	P 997 561 913 01	gaskets	/L	1							
(15)	P 997 561 914 01	gaskets assembly kit Pos. 6,8,9 roof frame front	/R	1							
16	P 997 561 923 00	gaskets	/L	1							
(16)	P 997 561 924 00	gaskets assembly kit Pos. 11,12 roof frame rear	/R	1							
		- - - E N D - - -									

Model	Year	MG	SG	Illustration	Restrictions	Update	13:07	23.08.2006	PORSCHE	PET	PORSCHE
996	05	8	11	811-10		203					

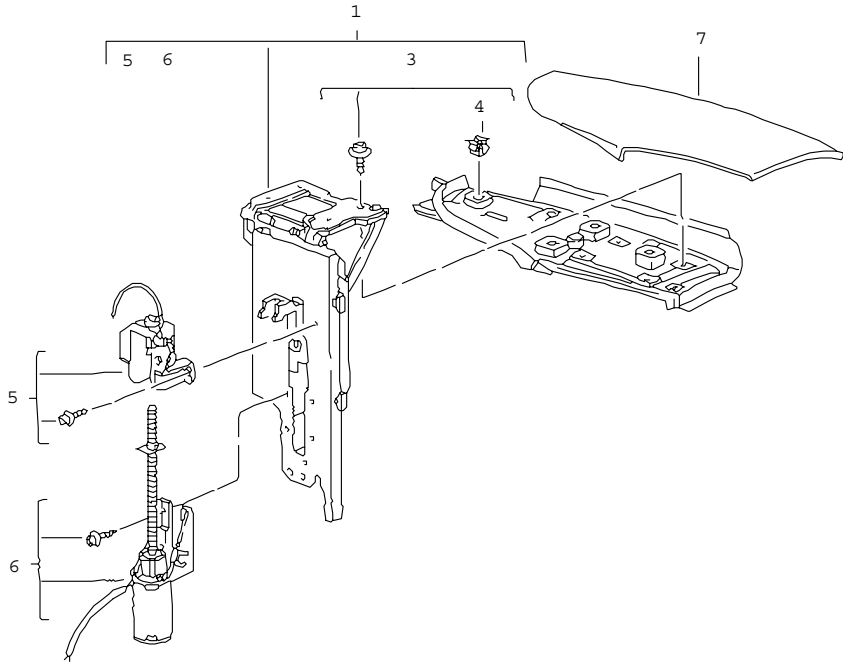


Pos	Part Number	Name	Remarks	Qty	Model
		convertible top covering roof lining			
1	996 561 915 01	convertible top covering	-01	1	
	A10	black			
	B50	space grey			
	G10	metropole blue			
1	996 561 915 02	convertible top covering	-04	1	
	A10	black			
	C50	graphite grey			
	G02	metropole blue			
1	997 561 901 00	convertible top covering without rear window	05-	1	
	A10	black			
	C50	graphite grey			
	G02	metropole blue			
2	996 561 085 00	inner lining	-01	1	
	A20	black			
2	996 561 085 01	inner lining	02-	1	
	A21	black			
3	996 561 111 00	rear window order at same time POS.4	-01	1	
4	993 561 959 00	slide		1	
5	996 561 089 00	restraining strap	/L -01	1	
(5)	996 561 089 01	restraining strap	/L 02-	1	
(5)	996 561 090 00	restraining strap	/R -01	1	
(5)	996 561 090 01	restraining strap	/R 02-	1	
6	996 561 095 00	cover strip	/L -01	1	
	A20	black			
(6)	996 561 095 01	bag	/L 02-	1	
	A20	black			

Model	Year	MG	SG	Illustration	Restrictions	Update	13:07	23.08.2006	PORSCHE	PET	PORSCHE
996	05	8	11	811-10		203					

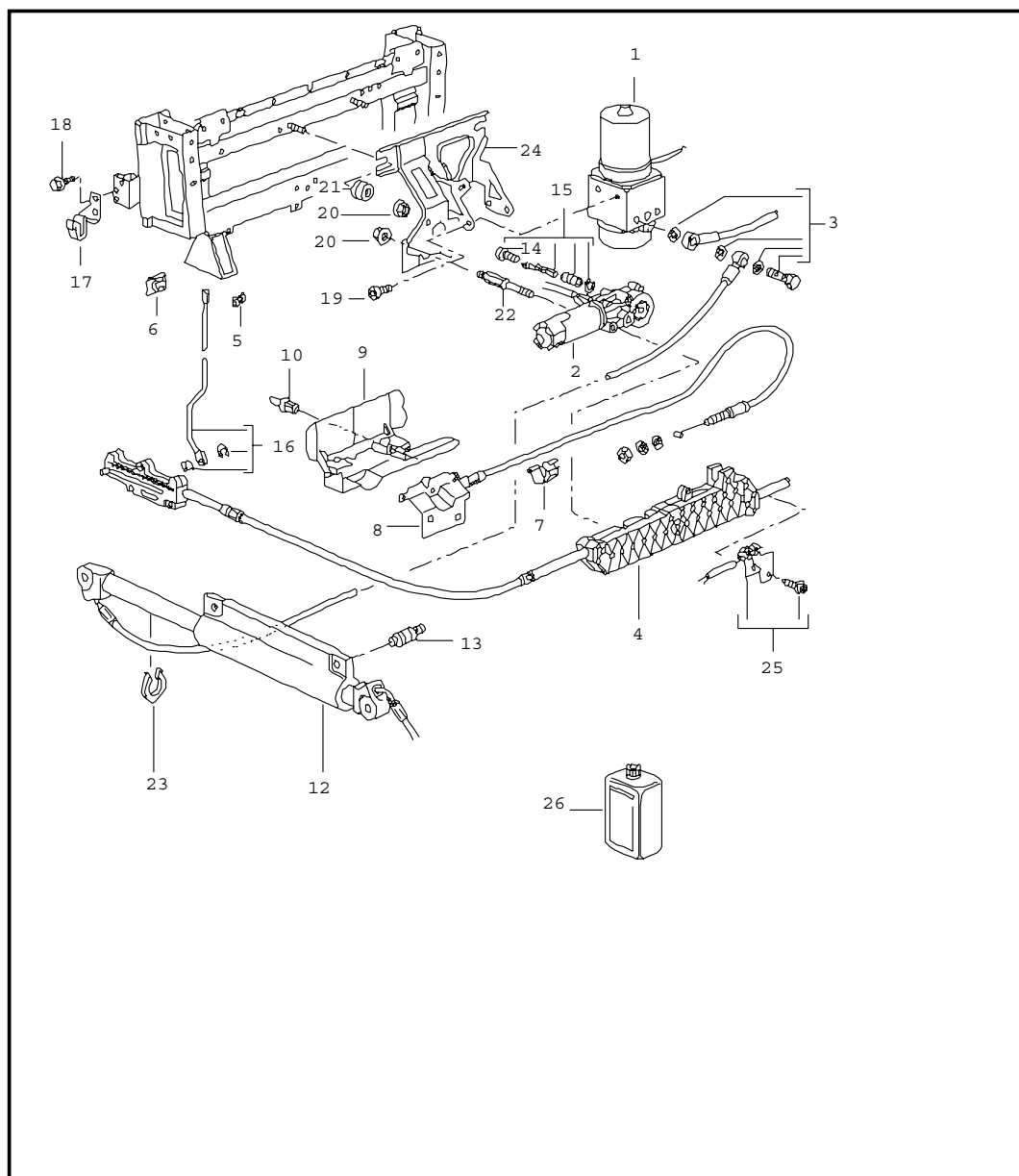
Pos	Part Number	Name	Remarks	Qty	Model	Pos	Part Number	Name	Remarks	Qty	Model
(6)	996 561 096 00	cover strip	/R -01	1							
	A20	black									
(6)	996 561 096 01	bag	/R 02-	1							
	A20	black									
7	996 561 931 01	tension rope		2							
8	996 561 101 00	rear window	02-	1							
9	996 561 331 00	gasket	02-	1							
10	996 561 205 00	clamp		32							
11	996 561 203 00	frame		1							
		- - - E N D - - -									

Model	Year	MG	SG	Illustration	Restrictions	Update	13:08	23.08.2006	PORSCHE	PET	PORSCHE
996	05	8	11	811-11		203					



Pos	Part Number	Name	Remarks	Qty	Model
		flap lateral folding top			
1	996 561 175 01	flap	/L	1	
(1)	996 561 176 01	flap	/R	1	
3	996 561 625 00	flap	/L	1	
(3)	996 561 626 00	flap	/R	1	
5	996 561 685 00	microswitch	/L	1	
(5)	996 561 686 00	microswitch	/R	1	
6	996 561 675 00	driving mechanism	/L	1	
(6)	996 561 676 00	driving mechanism	/R	1	
7	--- --- --- --	see illustrations 8/07/07	/R	1	
- - - E N D - - -					

Model	Year	MG	SG	Illustration	Restrictions	Update	13:08	23.08.2006	PORSCHE	PET	PORSCHE
996	05	8	11	811-12		203					

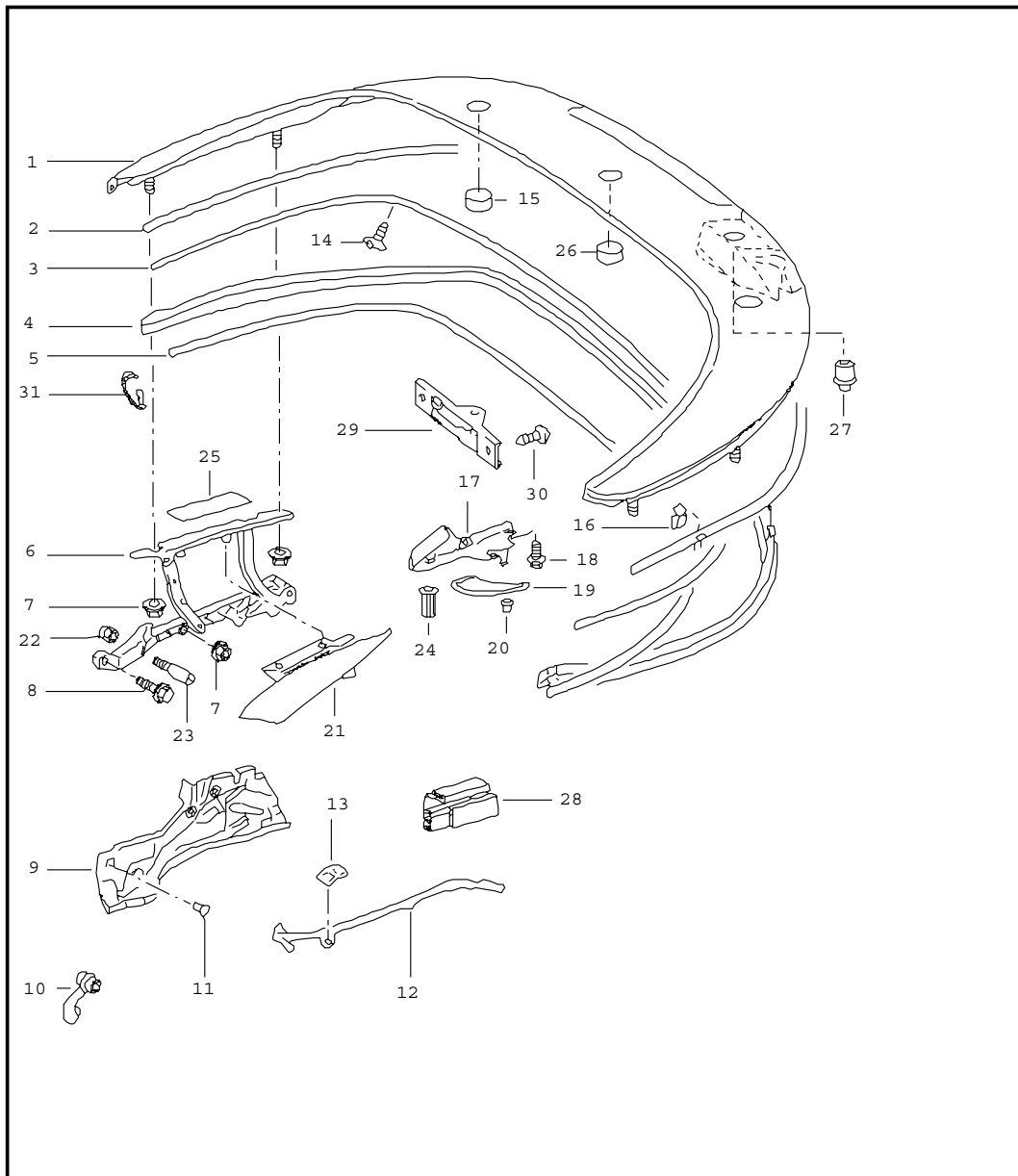


Pos	Part Number	Name	Remarks	Qty	Model
		convertible top driving mechanism hydraulic			
1	996 561 307 01	pump	-03	1	
1	996 561 307 02	pump	04-	1	
2	996 561 933 00	engine	-03	1	
2	996 561 933 01	engine	04-	1	
3	996 561 573 00	banjo bolt		2	
4	996 561 021 03	driving mechanism	-03	1	
--	999 919 184 09	oval-head screw		2	
5	999 166 054 02	lock		2	
6	999 703 425 40	spacer sleeve		2	
7	999 507 683 40	cable holder		X	
8	996 561 065 01	locking device		1	
9	996 561 265 01	trim	-01	1	
10	999 591 941 40	expansion rivet		X	
12	996 561 945 02	cylinder		2	
13	996 561 245 00	bolt		1	
14	996 561 671 00	screw		1	
15	996 561 673 00	repair kit	-03	1	
15	996 561 673 01	repair kit	04-	1	
16	996 561 229 00	push rod	/L	1	
16	996 561 230 00	push rod	/R	1	
17	996 561 105 00	bracket	/L	1	
(17)	996 561 106 00	bracket	/R	1	
18	900 378 173 09	hexagon-head tapping screw		X	
19	N 014 750 3	pan-head screw		4	
21	999 703 424 40	rubber buffer		2	
22	996 561 863 00	bolt	-03	2	
(22)	996 561 863 01	stud	04-	3	

Model	Year	MG	SG	Illustration	Restrictions	Update	13:08	23.08.2006	PORSCHE	PET	PORSCHE
996	05	8	11	811-12		203					

Pos	Part Number	Name	Remarks	Qty	Model	Pos	Part Number	Name	Remarks	Qty	Model
23	996 561 281 00	retainer		2							
24	996 561 117 01	bracket	-01	1							
24	996 561 217 00	bracket	02-	1							
(24)	996 561 207 01	bracket convertible top compartm. driving mechanism	04-	1							
25	996 561 165 00	microswitch	-03	1							
26	000 043 204 89	OEL 250 ML		X							
		- - - E N D - - -									

Model	Year	MG	SG	Illustration	Restrictions	Update	13:08	23.08.2006	PORSCHE	PET	PORSCHE
996	05	8	11	811-13		203					



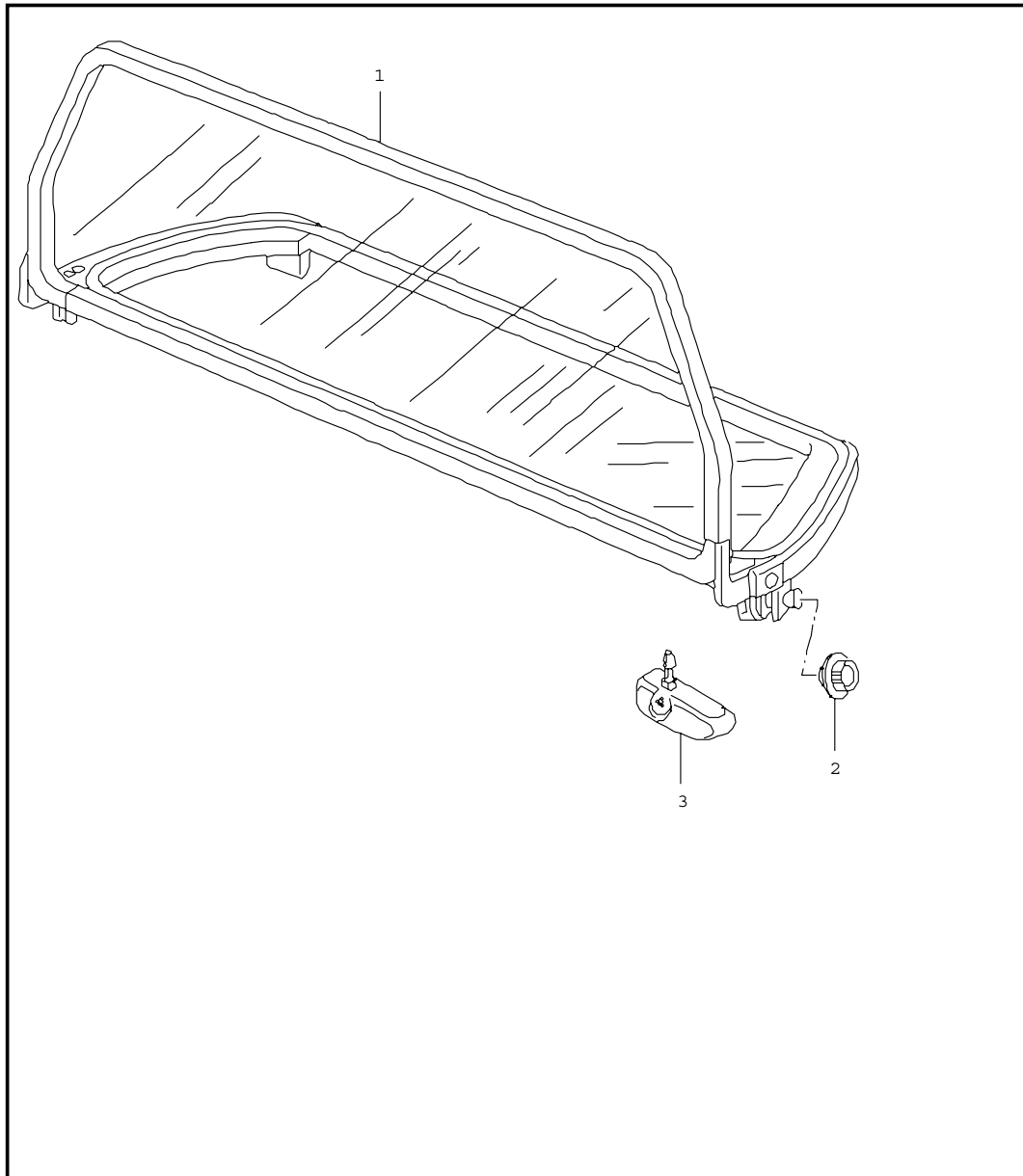
Pos	Part Number	Name	Remarks	Qty	Model
		convertible top compartm. cover gaskets			
1	996 514 011 01	cover		1	
	GRV	prime coated			
1	996 514 011 03	cover		1	C4S
	GRV	prime coated			
2	996 514 631 00	sealing strip		1	
3	996 514 731 00	gasket		1	
4	996 514 714 00	protective edging		1	
5	996 514 211 04	gasket	-02	1	
5	996 514 211 04	gasket	03-	1	
6	996 561 907 02	hinge	/L	1	
6	996 561 908 02	hinge	/R	1	
7	900 377 003 02	hexagon nut		4	
8	900 378 180 09	hexagon-head bolt		2	
9	996 561 805 02	water drip pan	/L	1	
9	996 561 806 02	water drip pan	/R	1	
10	996 561 815 01	water drain hose	/L	1	
10	996 561 816 01	water drain hose	/R	1	
-	N 996 561 809 00	clamp for Pos. 10		2	
11	999 703 432 40	plug		2	
12	996 561 755 00	water drain strip	-03	1	
12	996 561 755 01	water drain strip	04-	1	
(12)	996 561 756 00	water drain strip	-03	1	
(12)	996 561 756 01	water drain strip	04-	1	
13	999 507 647 02	tab washer		4	
14	999 073 047 02	tapping screw		2	
15	996 561 633 01	buffer		2	

Model	Year	MG	SG	Illustration	Restrictions	Update	13:08	23.08.2006	PORSCHE	PET	PORSCHE
996	05	8	11	811-13		203					

Pos	Part Number	Name	Remarks	Qty	Model	Pos	Part Number	Name	Remarks	Qty	Model
16	999 507 600 09	u-clamp		2							
17	996 514 651 01	mounting	/L	1							
17	996 514 652 01	mounting	/R	1							
18	999 073 189 09	oval-head screw		6							
19	996 504 861 00	cover	/L	1							
	GRV	prime coated									
(19)	996 504 862 00	cover	/R	1							
	GRV	prime coated									
20	999 702 264 40	grommet		4							
21	996 561 061 02	flap	/L	1							
(21)	996 561 062 02	flap	/R	1							
22	999 500 086 02	blind rivet nut		4							
23	999 242 004 02	threaded pin		2							
24	900 360 001 02	nut		2							
(24)	996 504 855 01	mounting		4							
25	996 561 904 00	adhesive plate		X							
26	986 561 633 01	buffer		1							
27	999 703 140 40	buffer		1							
28	996 561 401 00	stop	/L	1							
(28)	996 561 402 00	stop	/R	1							
29	996 561 465 00	clip		1							
30	999 073 130 02	oval-head screw		2							
31	996 514 511 00	clip		2							
		- - - E N D - - -									

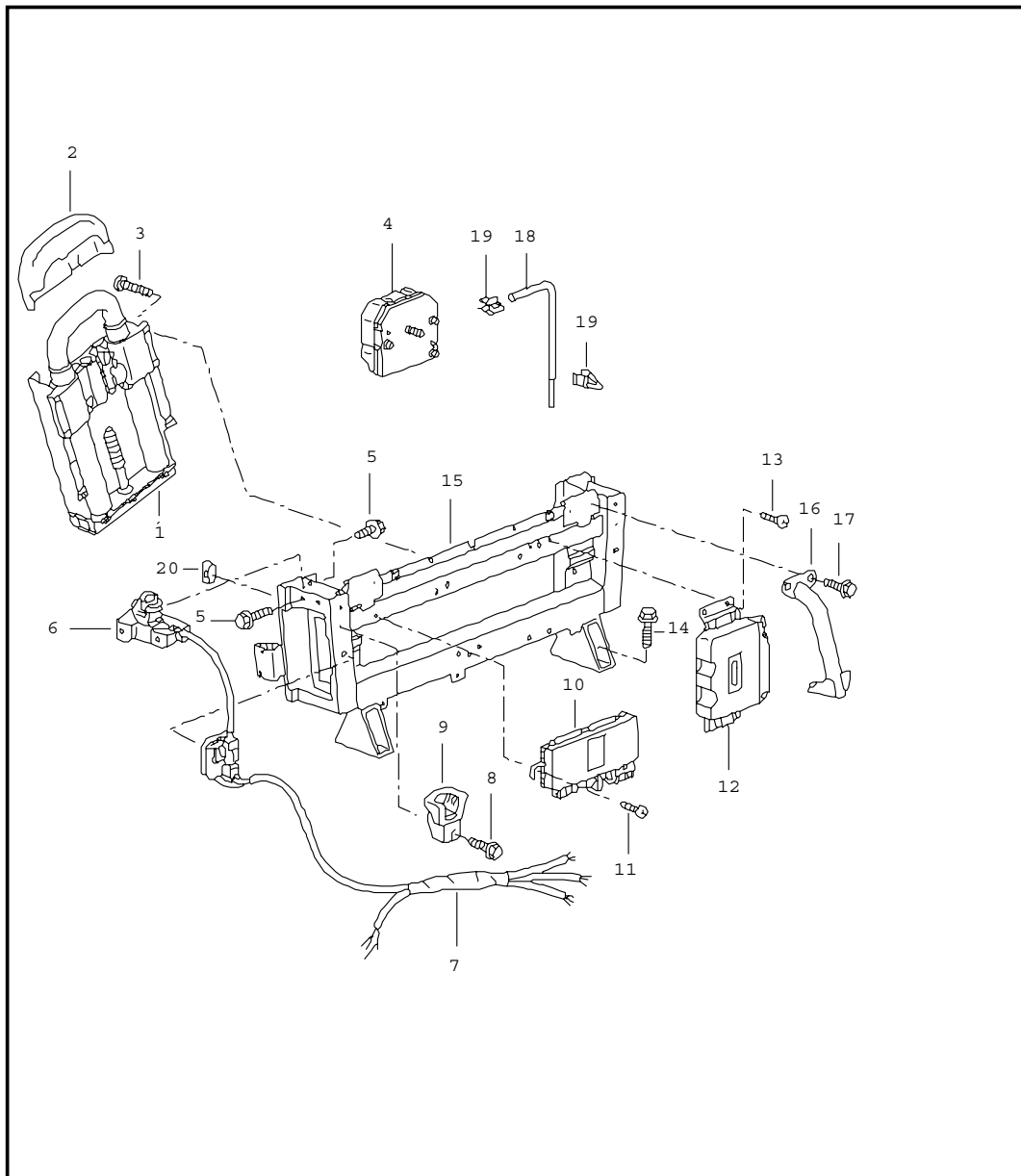


Model	Year	MG	SG	Illustration	Restrictions	Update	13:08	23.08.2006	PORSCHE	PET	PORSCHE
996	05	8	11	811-14		203					



Pos	Part Number	Name	Remarks	Qty	Model
		wind deflector			
1	996 561 125 02	wind deflector		1	
	01C	black			
2	996 561 127 00	rose	/L	1	
	01C	black			
2	996 561 128 00	rose	/R	1	
	01C	black			
3	996 561 955 00	repair kit	/L	1	
(3)	996 561 956 00	repair kit	/R	1	
		- - - E N D - - -			

Model	Year	MG	SG	Illustration	Restrictions	Update	13:09	23.08.2006	PORSCHE	PET	PORSCHE
996	05	8	11	811-15		203					

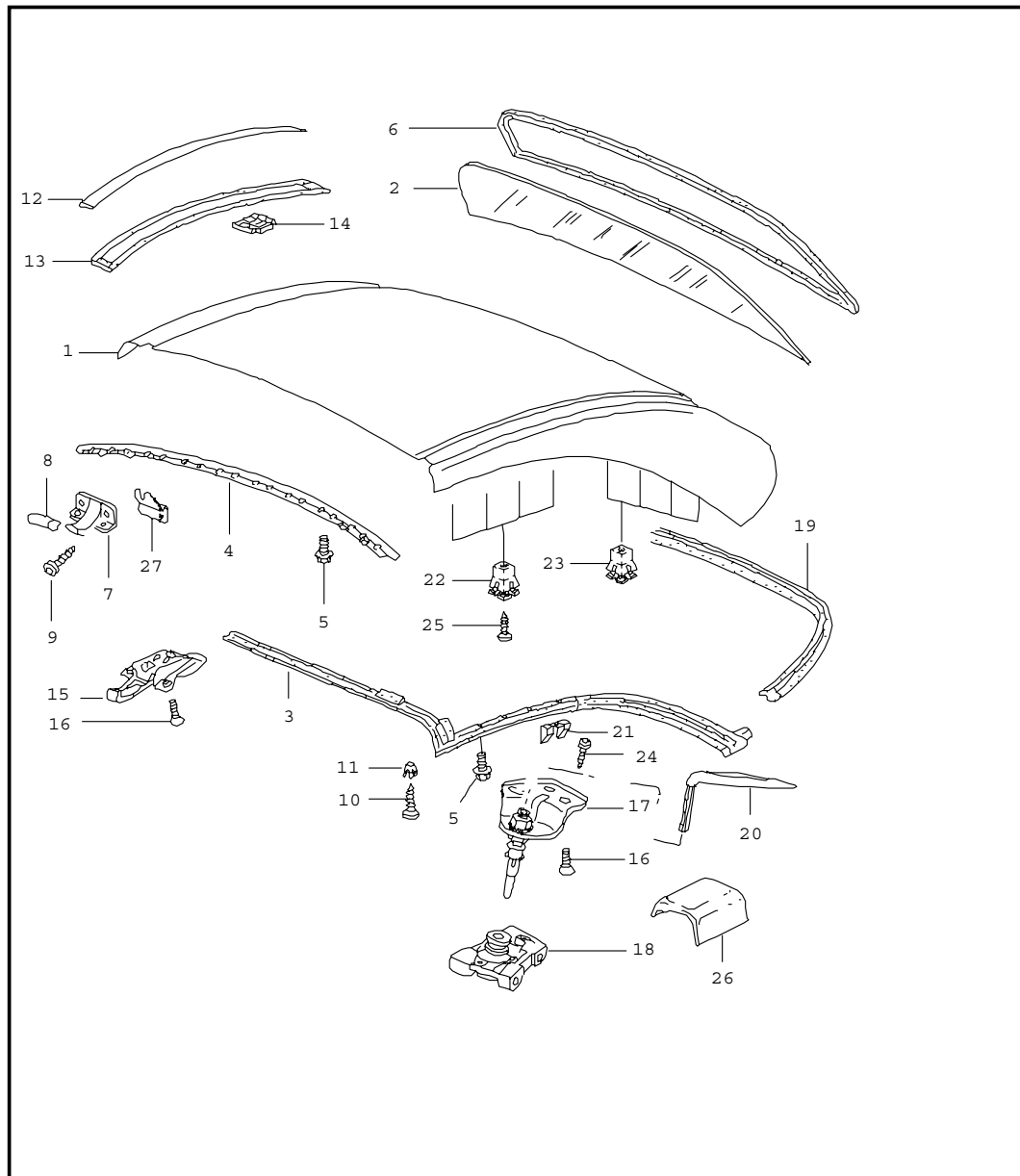


Pos	Part Number	Name	Remarks	Qty	Model
		roll-over bar			CABRIO
1	996 580 021 01	roll-over bar		2	
2	996 580 191 01	cap		2	
3	900 067 382 09	hexagon-head bolt		12	
4	996 618 281 00	control unit		1	
5	900 378 173 09	hexagon-head bolt		4	
-	999 084 635 02	shear-off nut		3	
6	996 561 653 03	mounting	/L -04	1	
6	996 561 653 04	mounting	/L 05-	1	
(6)	996 561 654 03	mounting	/R -04	1	
(6)	996 561 654 04	mounting	/R 05-	1	
7	996 612 065 01	wiring harness	-01	1	
7	996 612 065 15	wiring harness	02-	1	
8	900 378 173 09	hexagon-head bolt		2	
9	996 561 463 02	guide	/L	1	
(9)	996 561 464 02	guide	/R	1	
10	996 618 111 03	control unit	-02	1	
10	996 618 111 04	control unit	03-	1	
11	999 073 060 02	tapping screw		X	
12	---	see group 9/01/03		X	
13	999 073 060 02	tapping screw		X	
14	900 378 173 09	hexagon-head bolt		4	
15	996 580 311 01	auxiliary support	-01	1	
15	996 580 311 02	auxiliary support	02-	1	
--	999 590 050 40	catch		4	
--	999 650 176 40	clip		3	
16	996 580 331 01	bracket	/L -01	1	
16	996 580 331 02	bracket	/L 02-	1	
(16)	996 580 332 01	bracket	/R -01	1	

Model	Year	MG	SG	Illustration	Restrictions	Update	13:09	23.08.2006	PORSCHE	PET	PORSCHE
996	05	8	11	811-15		203					

Pos	Part Number	Name	Remarks	Qty	Model	Pos	Part Number	Name	Remarks	Qty	Model
(16)	996 580 332 02	bracket	/R 02-	1							
17	900 378 173 09	hexagon-head bolt		X							
18	999 571 079 03	angular screw driver		1							
19	999 507 633 40	retaining clip		2							
20	996 561 457 00	sleeve		2							
		- - - E N D - - -									

Model	Year	MG	SG	Illustration	Restrictions	Update	13:09	23.08.2006	PORSCHE	PET	PORSCHE
996	05	8	11	811-16		203					

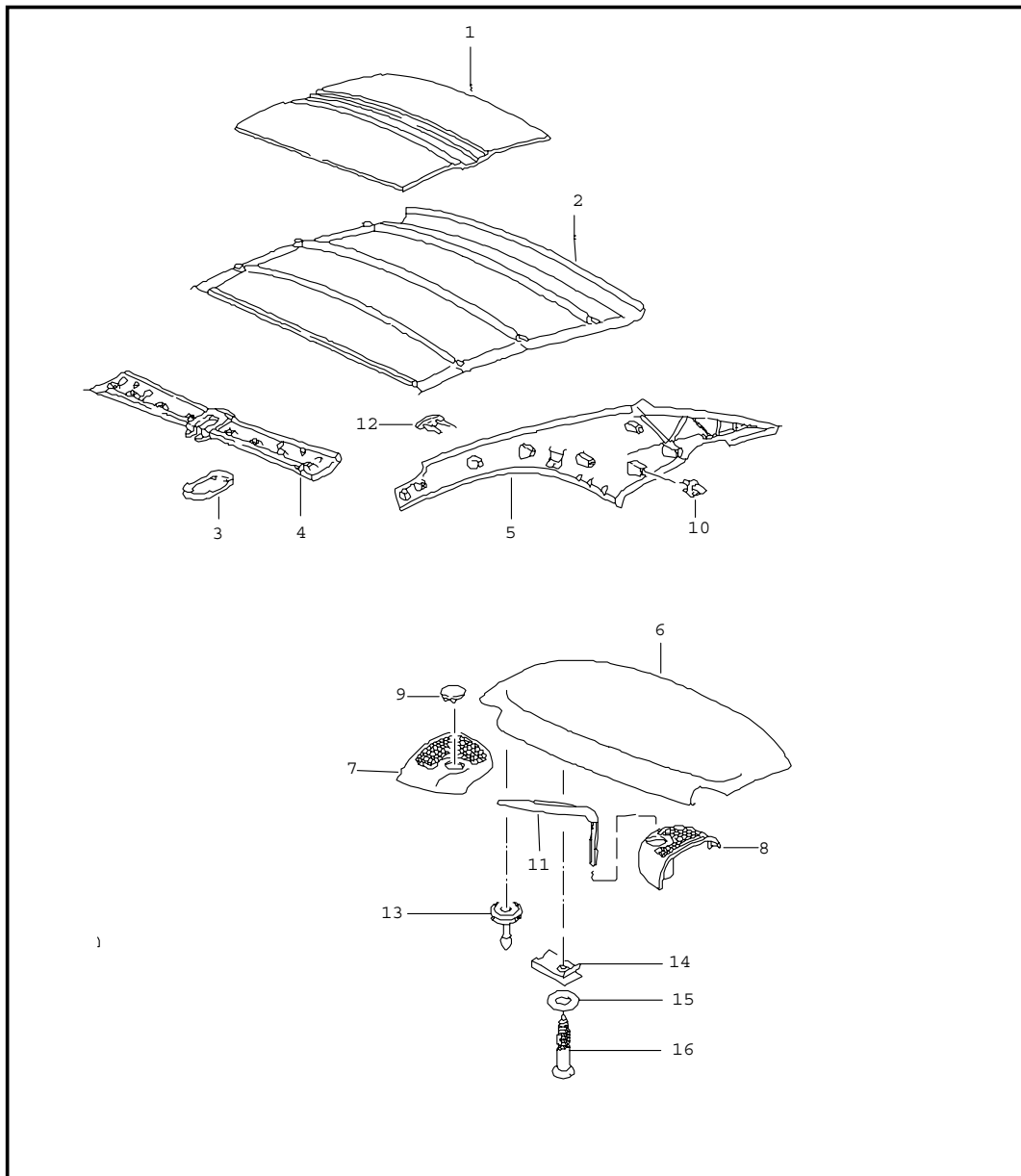


Pos	Part Number	Name	Remarks	Qty	Model
		hardtop accessories gaskets			M 550
1	996 563 911 00	hardtop		1	
		GRV prime coated without accessories			
2	996 563 091 00	rear window ready for installation		1	
3	996 563 025 02	roof frame seal		1	
		when required order also:			
--	996 563 309 00	retaining strip	/L	1	
--	996 563 310 00	retaining strip	/R	1	
4	996 563 319 00	retaining strip		1	
5	900 067 378 09	pan-head screw		10	
6	996 563 029 00	gasket		1	
7	996 563 405 00	centring journal	/L	1	
(7)	996 563 406 00	centring journal	/R	1	
8	996 563 705 01	cap	/L	1	
8	996 563 706 01	cap	/R	1	
9	999 919 144 09	oval-head screw		4	
10	999 073 049 02	tapping screw		14	
11	999 507 547 40	expander nut		8	
12	996 563 707 00	cover strip	/L	1	
		GRV prime coated			
(12)	996 563 708 00	cover strip	/R	1	
		GRV prime coated			
13	996 563 361 00	gasket	/L	1	
(13)	996 563 362 00	gasket	/R	1	
14	986 563 721 00	clip		8	
15	996 563 401 00	catch		1	
16	900 378 030 09	hexagon-head bolt M 6X20		3	

Model	Year	MG	SG	Illustration	Restrictions	Update	13:09	23.08.2006	PORSCHE	PET	PORSCHE
996	05	8	11	811-16		203					

Pos	Part Number	Name	Remarks	Qty	Model	Pos	Part Number	Name	Remarks	Qty	Model
17	996 563 403 03	catch see technical information NR.:1/02	/L -04	1		(27)	996 563 510 00	support for lining see group 8/11/17 POS. 5	/R	1	
17	996 563 403 04	catch	/L 05-	1							
(17)	996 563 404 03	catch	/R -04	1							
(17)	996 563 404 03	catch	-04	1							
(17)	996 563 404 04	catch	05-	1							
18	996 561 653 03	mounting	/L -04	1							
18	996 561 653 04	mounting	/L	1							
--	996 561 657 01	insert	-04	1							
--	900 249 031 09	countersunk-head screw		6							
(18)	996 561 654 03	mounting	/R -04	1							
(18)	996 561 654 04	mounting	/R 05-	1							
--	996 561 658 01	insert		1							
--	996 561 658 02	insert		1							
19	996 563 027 01	gasket		1							
20	996 563 413 00	tool		1							
21	996 563 125 00	thrust wedge		2							
22	999 507 923 40	expander nut		8							
23	999 507 924 40	expander nut		8							
24	999 450 008 09	tapping screw		2							
25	999 073 049 02	tapping screw		16							
26	996 563 421 01	protective tab		2							
--	999 507 659 40	expander nut	/L	1							
--	999 507 662 40	expander nut	/R	1							
27	996 563 509 00	support for lining see group 8/11/17 POS. 5	/L	1							

Model	Year	MG	SG	Illustration	Restrictions	Update	13:09	23.08.2006	PORSCHE	PET	PORSCHE
996	05	8	11	811-17		203					



Pos	Part Number	Name	Remarks	Qty	Model
		hardtop sound absorber			M 550
1	996 563 523 00	sound absorber		1	
2	996 563 111 00	inner lining		1	
	A20	black			
3	996 563 551 00	trim		1	
	01C	black			
4	996 563 501 00	lining leatherette		1	
	A18	black	-99		
	A12	black	00-		
	B18	space grey	-99		
	B52	space grey	00-		
	C18	graphite grey	-99		
	C52	graphite grey	00-		
	G18	metropole blue	-99		
	G12	metropole blue	00-		
	S18	savanna	-99		
	S32	savanna	00-		
	J32	nephrite green			
4	996 563 501 01	lining leather	-99	1	
	A11	black			
	B51	space grey			
	C51	graphite grey			
	G11	metropole blue			
	J31	nephrite green			
	M31	boxster red			
	S31	savanna			
	D12	dark grey			

Model	Year	MG	SG	Illustration	Restrictions	Update	13:09	23.08.2006	PORSCHE	PET	PORSCHE
996	05	8	11	811-17		203					

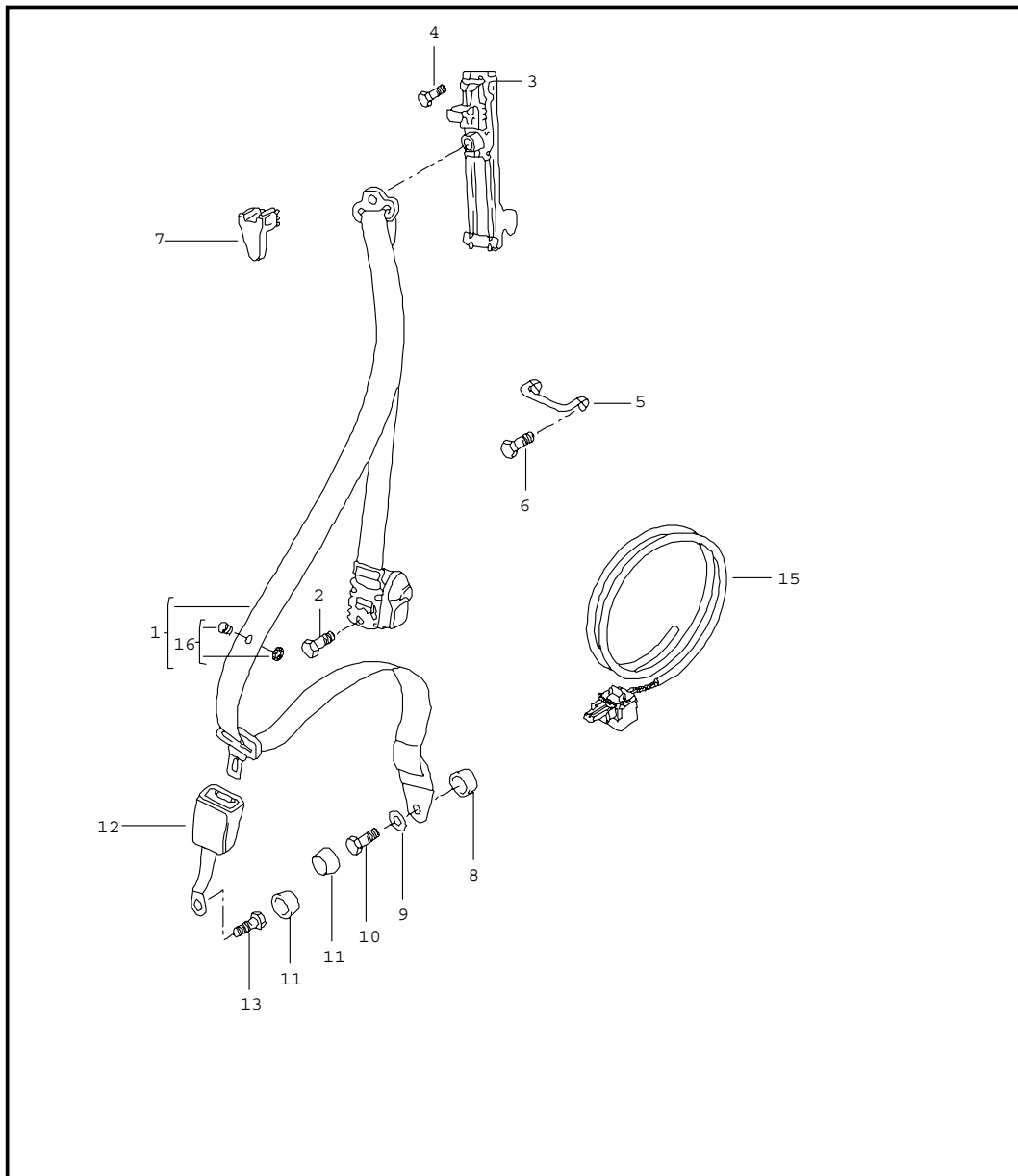
Pos	Part Number	Name	Remarks	Qty	Model	Pos	Part Number	Name	Remarks	Qty	Model
5	996 563 503 00	lining leatherette	/L	1			G11	metropole blue			
	A18	black	-99				J31	nephrite green			
	A12	black	00-				M31	boxster red			
	B18	space grey	-99				S31	savanna			
	B52	space grey	00-				D12	dark grey			
	C18	graphite grey	-99			(5)	996 563 504 01	lining leather	/R -99	1	
	C52	graphite grey	00-				A11	black			
	G18	metropole blue	-99				B51	space grey			
	G12	metropole blue	00-				C51	graphite grey			
	S18	savanna	-99				G11	metropole blue			
	S32	savanna	00-				J31	nephrite green			
	J32	nephrite green	00-				M31	boxster red			
(5)	996 563 504 00	lining leatherette	/R	1			S31	savanna			
	A18	black	-99				D12	dark grey			
	A12	black	00-			6	996 563 505 00	lining		1	
	B18	space grey	-99				A07	black			
	B52	space grey	00-				B07	space grey			
	C18	graphite grey	-99				C07	graphite grey			
	C52	graphite grey	00-				G07	metropole blue			
	G18	metropole blue	-99			7	996 563 554 00	lining	/R	1	
	G12	metropole blue	00-				A10	black			
	S18	savanna	-99				B50	space grey			
	S32	savanna	00-				C50	graphite grey			
	J32	nephrite green	00-				G10	metropole blue			
(5)	996 563 503 01	lining leather	/L -99	1		8	996 563 553 00	lining	/L	1	
	A11	black					A10	black			
	B51	space grey					B50	space grey			
	C51	graphite grey					C50	graphite grey			
							G10	metropole blue			

Model	Year	MG	SG	Illustration	Restrictions	Update	13:09	23.08.2006	PORSCHE	PET	PORSCHE
996	05	8	11	811-17		203					

Pos	Part Number	Name	Remarks	Qty	Model	Pos	Part Number	Name	Remarks	Qty	Model
9	996 555 457 00	cover		2							
	A10	black									
	C50	graphite grey									
	G10	metropole blue									
	B50	space grey									
10	999 507 764 40	clip		X							
11	996 563 413 00	tool		1							
12	996 563 561 00	rubber stop		2							
	01C	black for sun visors									
13	999 507 764 40	clip		X							
14	999 507 030 02	speed nut		2							
15	900 151 027 02	washer		2							
16	900 143 046 02	tapping screw		2							
		- - - E N D - - -									



Model	Year	MG	SG	Illustration	Restrictions	Update	13:09	23.08.2006	PORSCHE	PET	PORSCHE
996	05	8	12	812-00		203					

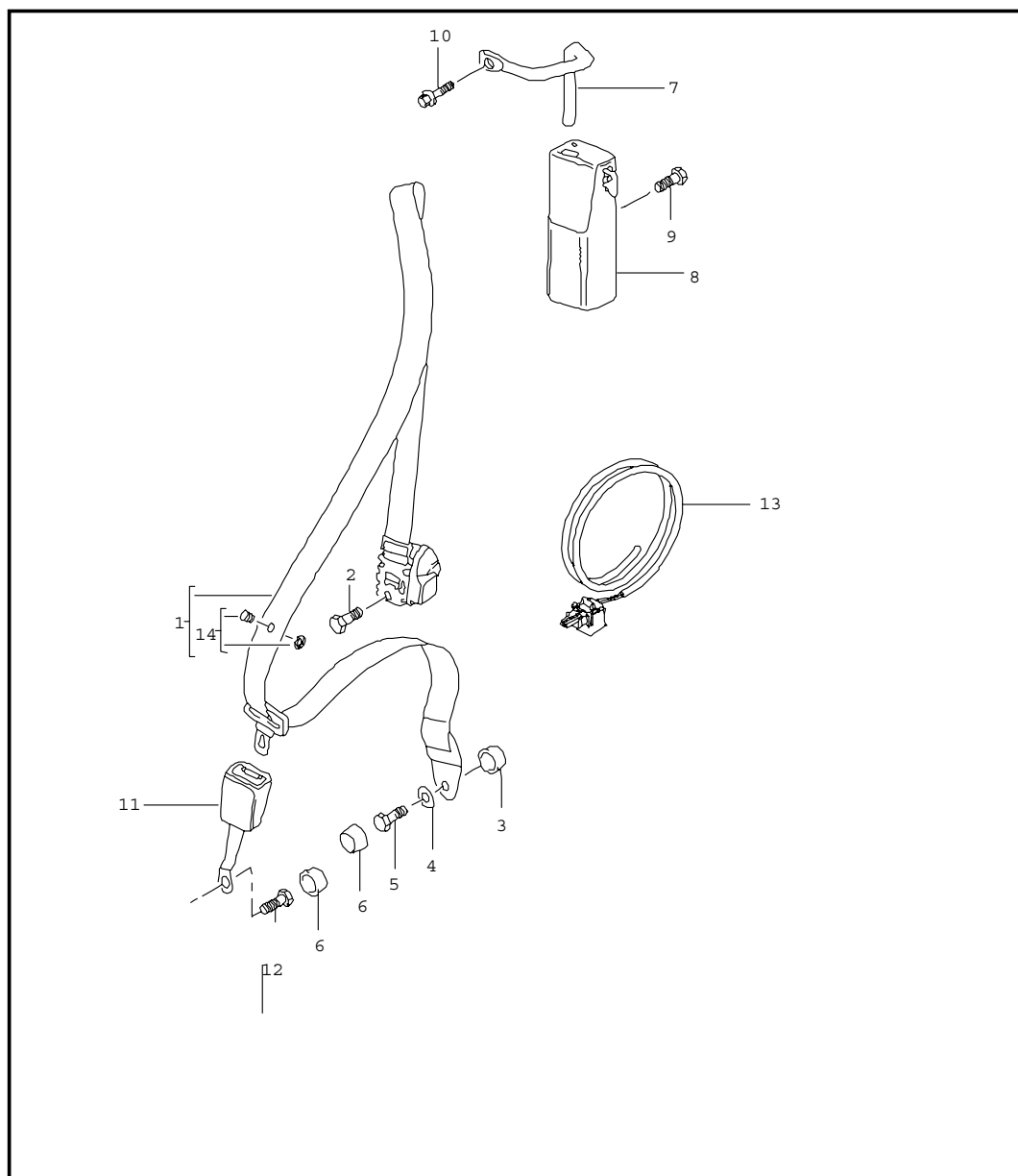


Pos	Part Number	Name	Remarks	Qty	Model
		seat belt front			COUPE TARGA
1	996 803 033 04	seat belt	/L -01	1	
1	996 803 033 02	seat belt	/L 02-	1	
1	996 803 981 04	seat belt	/L 02-	1	
	V02	speed yellow			
	H03	maritime blue			
	N13	guards red			
(1)	996 803 034 08	seat belt	/R -01	1	
(1)	996 803 034 04	seat belt	/R 02-	1	
(1)	996 803 034 06	seat belt for child car seat	/R 02-	1	
(1)	996 803 982 06	seat belt	/R 02-	1	
	V02	speed yellow			
	H03	maritime blue			
	N13	guards red			
(1)	996 803 982 08	seat belt for child car seat	/R 02-	1	
	V02	speed yellow			
	H03	maritime blue			
	N13	guards red			
2	911 803 150 00	fastening screw		2	
3	996 803 231 02	height adjustment		2	
4	900 067 131 02	pan-head screw		2	
5	996 803 825 01	relay lever		2	
6	900 378 036 09	hexagon-head bolt		4	
7	996 803 541 00	cover	-99	2	
	01C	black			
7	996 803 521 00	cover	00-	2	
	A03	black			

Model	Year	MG	SG	Illustration	Restrictions	Update	13:09	23.08.2006	PORSCHE	PET	PORSCHE
996	05	8	12	812-00		203					

Pos	Part Number	Name	Remarks	Qty	Model	Pos	Part Number	Name	Remarks	Qty	Model
8	999 924 064 02	spacer sleeve		2							
9	211 857 771	washer		2							
10	999 075 073 09	screw		2							
11	811 857 845	cap		2							
	01C	black									
12	996 803 183 04	seat-belt buckle driver's side	-01	1							
12	996 803 183 07	seat-belt buckle driver's side	02-	1							
12	996 803 183 01	seat-belt buckle passenger's side	-01	1							
12	996 803 183 08	seat-belt buckle passenger's side	02-	1							
13	999 218 101 02	fastening screw		2							
15	996 612 991 10	cable driver's side for seat-belt tensioner		X							
15	996 612 991 00	cable passenger's side for seat-belt tensioner		X							
16	955 803 056 00	knob		2							
	HCP	black									
		- - - E N D - - -									

Model	Year	MG	SG	Illustration	Restrictions	Update	13:09	23.08.2006	PORSCHE	PET	PORSCHE
996	05	8	12	812-01		203					

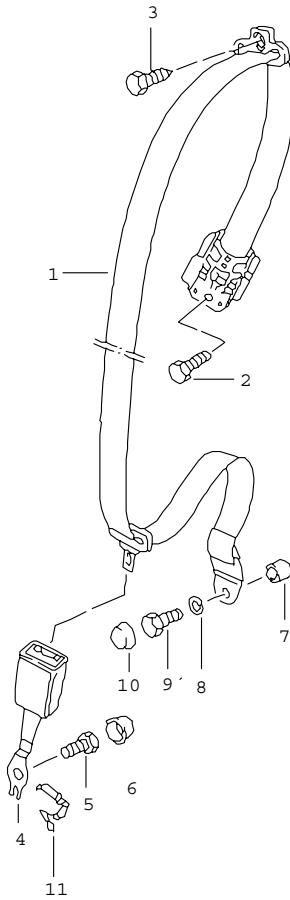


Pos	Part Number	Name	Remarks	Qty	Model
		seat belt front			CABRIO
1	996 803 033 01	seat belt	/L -01	1	
1	996 803 033 03	seat belt	/L 02-	1	
1	996 803 981 03	seat belt	/L 02-	1	
	V02	speed yellow			
	H03	maritime blue			
	N13	guards red			
(1)	996 803 034 01	seat belt	/R -01	1	
(1)	996 803 034 05	seat belt	/R 02-	1	
(1)	996 803 982 07	seat belt	/R 02-	1	
	V02	speed yellow			
	H03	maritime blue			
	N13	guards red			
(1)	996 803 982 09	seat belt for child car seat	/R 02-	1	
	V02	speed yellow			
	H03	maritime blue			
	N13	guards red			
2	911 803 150 00	fastening screw		2	
3	999 924 064 02	spacer sleeve		2	
4	211 857 771	washer		2	
5	803 019 811 B	fastening screw		2	
6	811 857 845	cap		2	
7	996 803 815 00	reverse lever	/L	1	
7	996 803 816 00	reverse lever	/R	1	
8	996 803 581 00	mounting	/L	1	
8	996 803 582 00	mounting	/R	1	
9	900 378 074 09	fastening screw		4	
10	900 378 017 09	fastening screw		2	

Model	Year	MG	SG	Illustration	Restrictions	Update	13:09	23.08.2006	PORSCHE	PET	PORSCHE
996	05	8	12	812-01		203					

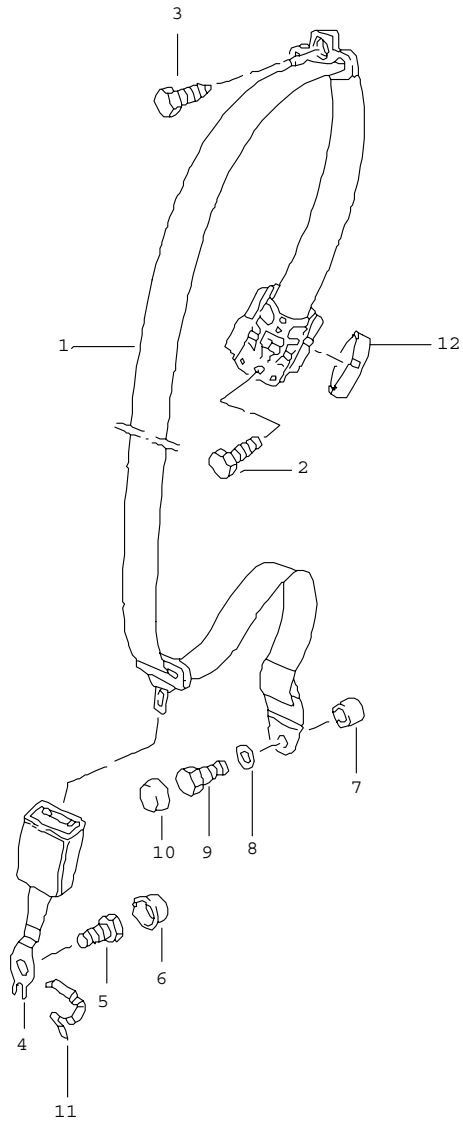
Pos	Part Number	Name	Remarks	Qty	Model	Pos	Part Number	Name	Remarks	Qty	Model
11	996 803 183 04	seat-belt buckle driver's side	-01	1							
11	996 803 183 07	seat-belt buckle driver's side	02-	1							
(11)	996 803 183 01	seat-belt buckle passenger's side	-01	1							
11	996 803 183 08	seat-belt buckle passenger's side	02-	1							
12	999 218 101 02	fastening screw		2							
13	996 612 991 10	cable driver's side for seat-belt tensioner		X							
13	996 612 991 00	cable passenger's side for seat-belt tensioner		X							
14	955 803 056 00	knob		2							
	HCP	black									
		- - - E N D - - -									

Model	Year	MG	SG	Illustration	Restrictions	Update	13:10	23.08.2006	PORSCHE	PET	PORSCHE
996	05	8	12	812-05		203					



Pos	Part Number	Name	Remarks	Qty	Model
		seat belt rear			COUPE
1	996 803 035 08	seat belt	/L	1	
1	996 803 983 06	seat belt	/L 02-	1	
	V02	speed yellow			
	H03	marine blue			
	N13	guards red			
(1)	996 803 036 08	seat belt	/R	1	
(1)	996 803 984 06	seat belt	/R 02-	1	
	V02	speed yellow			
	H03	marine blue			
	N13	guards red			
2	911 803 150 00	fastening screw		2	
3	999 075 057 09	fastening screw		2	
4	996 803 165 01	seat-belt buckle	/L	1	
(4)	996 803 166 01	seat-belt buckle	/R	1	
5	911 803 150 00	fastening screw		2	
6	811 857 845	cap		2	
7	999 924 064 02	spacer sleeve		2	
8	211 857 771	washer		2	
9	803 019 811 B	screw		2	
10	811 857 845	cap		2	M 193
11	996 551 745 00	clamp	/L	2	
11	996 551 746 00	clamp	/R	2	
		- - - E N D - - -			

Model	Year	MG	SG	Illustration	Restrictions	Update	13:10	23.08.2006	PORSCHE	PET	PORSCHE
996	05	8	12	812-06		203					

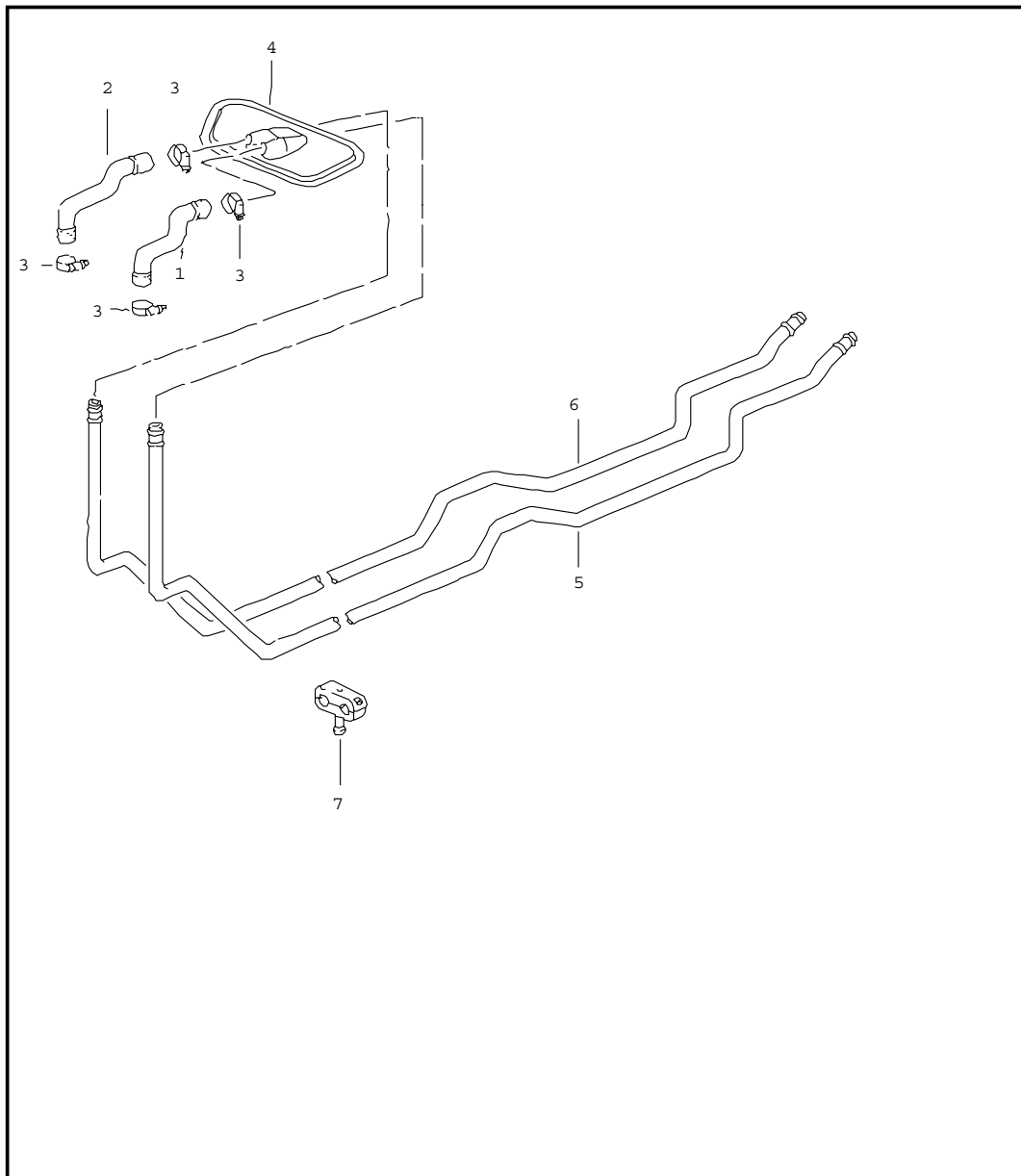


Pos	Part Number	Name	Remarks	Qty	Model
		seat belt rear			CABRIO TARGA
1	996 803 035 06	seat belt	/L	1	CABRIO
1	996 803 983 08	seat belt	/L	1	CABRIO
	V02	speed yellow			
	H03	marine blue			
	N13	guards red			
1	996 803 035 04	seat belt	/L	1	TARGA
1	996 803 983 04	seat belt	/L	1	TARGA
	V02	speed yellow			
	H03	marine blue			
	N13	guards red			
1	996 803 036 06	seat belt	/R	1	CABRIO
1	996 803 984 08	seat belt	/R	1	CABRIO
	V02	speed yellow			
	H03	marine blue			
	N13	guards red			
1	996 803 036 04	seat belt	/R	1	TARGA
1	996 803 984 04	seat belt	/R	1	TARGA
	V02	speed yellow			
	H03	marine blue			
	N13	guards red			
2	911 803 150 00	fastening screw		2	CABRIO
2	999 075 070 09	fastening screw		2	TARGA
3	999 075 057 09	fastening screw		2	
4	996 803 165 01	seat-belt buckle	/L	1	
4	996 803 166 01	seat-belt buckle	/R	1	
5	911 803 150 00	fastening screw		2	
6	811 857 845	cap		2	
7	999 924 064 02	sleeve		2	

Model	Year	MG	SG	Illustration	Restrictions	Update	13:10	23.08.2006	PORSCHE	PET	PORSCHE
996	05	8	12	812-06		203					

Pos	Part Number	Name	Remarks	Qty	Model	Pos	Part Number	Name	Remarks	Qty	Model
8	211 857 771	washer		2							
9	803 019 811 B	fastening screw		2							
10	811 857 845	cap		2							
	01C	black									
11	996 551 745 00	clamp		2							
12	996 803 545 00	cap		2	TARGA						
		- - - E N D - - -									

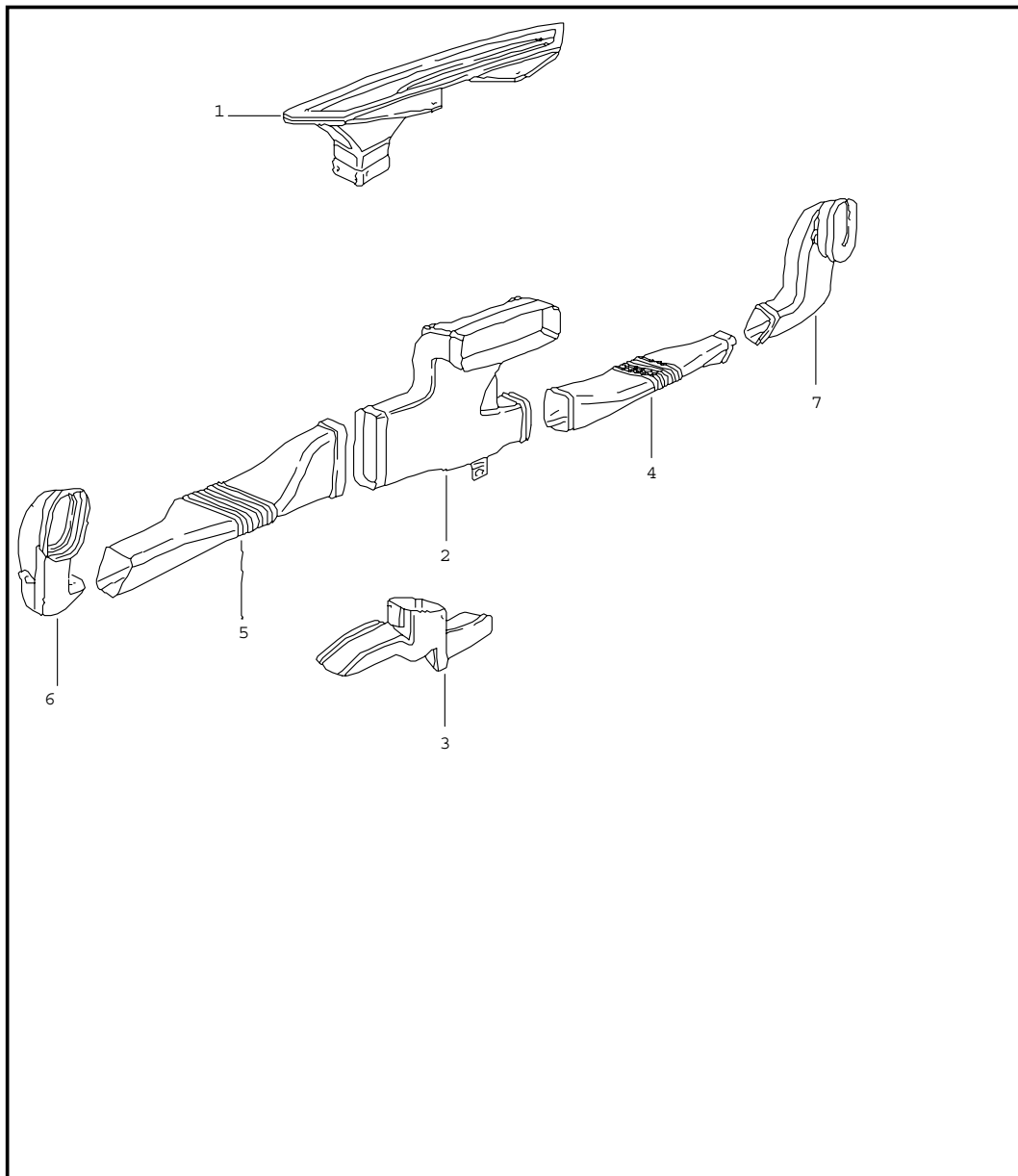
Model	Year	MG	SG	Illustration	Restrictions	Update	13:10	23.08.2006	PORSCHE	PET	PORSCHE
996	05	8	13	813-00		203					



Pos	Part Number	Name	Remarks	Qty	Model
		heating system 1 feed line return line			
1	996 572 583 00	heater hose	/LL	1	
(1)	996 572 583 01	heater hose	/RL	1	
2	996 572 585 00	heater hose	/LL	1	
(2)	996 572 585 01	heater hose	/RL	1	
3	999 512 441 02	clip		4	
4	996 572 263 00	gasket	/LL	1	
(4)	996 572 263 01	gasket	/RL	1	
5	996 572 681 03	hot air duct	-02	1	
5	996 572 681 05	hot air duct supply	03-	1	
6	996 572 683 03	hot air duct	-02	1	
6	996 572 683 05	hot air duct return	03-	1	
--	996 572 785 00	connection piece		X	
7	999 511 230 40	support		4	
--	999 511 232 41	rubber mounting 19/19		4	
- - - E N D - - -					

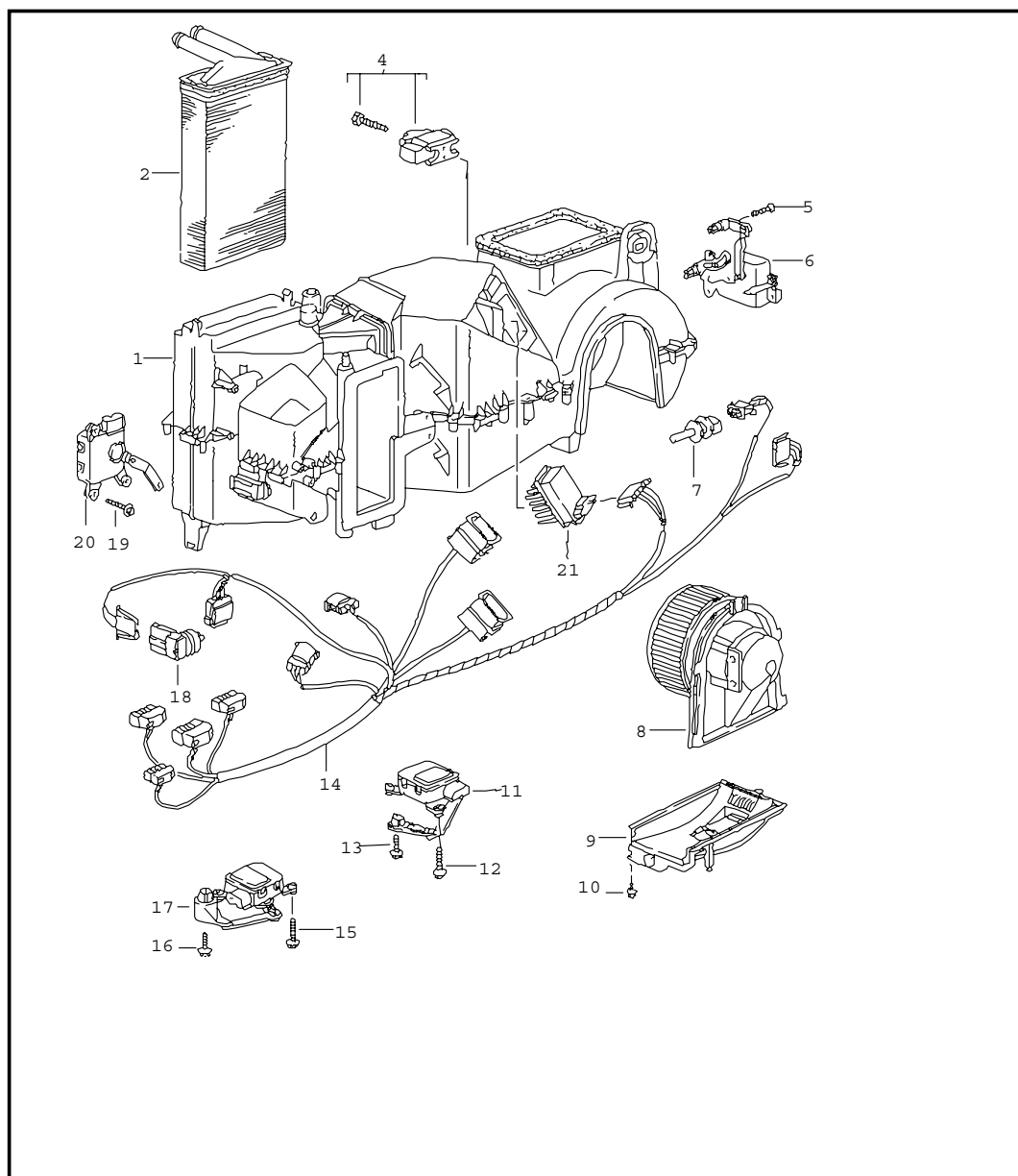


Model	Year	MG	SG	Illustration	Restrictions	Update	13:10	23.08.2006	PORSCHE	PET	PORSCHE
996	05	8	13	813-01		203					



Pos	Part Number	Name	Remarks	Qty	Model
		heating air distributor			
1	996 572 631 00	defroster vent	/LL	1	
(1)	996 572 631 01	defroster vent	/RL	1	
2	996 572 171 00	air distributor	/LL -01	1	
2	996 572 171 04	air distributor	/LL 02-	1	
(2)	996 572 171 01	air distributor	/RL -01	1	
(2)	996 572 171 05	air distributor	/RL 02-	1	
3	996 572 793 02	footwell outlet vent	/LL	1	
3	996 572 793 04	footwell outlet vent	/LL	1	M680
(3)	996 572 793 01	footwell outlet vent	/RL -02	1	
(3)	996 572 793 05	footwell outlet vent	/RL 03-	1	
(3)	996 572 793 06	footwell outlet vent	/RL 03-	1	M680
4	996 572 464 01	air duct	/LL /R	1	-02
4	996 572 464 02	air duct	/LL /R	1	03-
4	996 572 464 00	air duct	/RL /R	1	
5	996 572 463 00	air duct	/LL /L	1	
5	996 572 463 01	air duct	/RL /L	1	-02
5	996 572 463 02	air duct	/RL /L	1	03-
6	996 572 767 00	air duct	/LL /L	1	
6	996 572 767 01	air duct	/RL /L	1	
7	996 572 768 00	air duct	/RL /R	1	
(7)	996 572 768 01	air duct	/LL /R	1	
		- - - E N D - - -			

Model	Year	MG	SG	Illustration	Restrictions	Update	13:13	23.08.2006	PORSCHE	PET	PORSCHE
996	05	8	13	813-05		203					

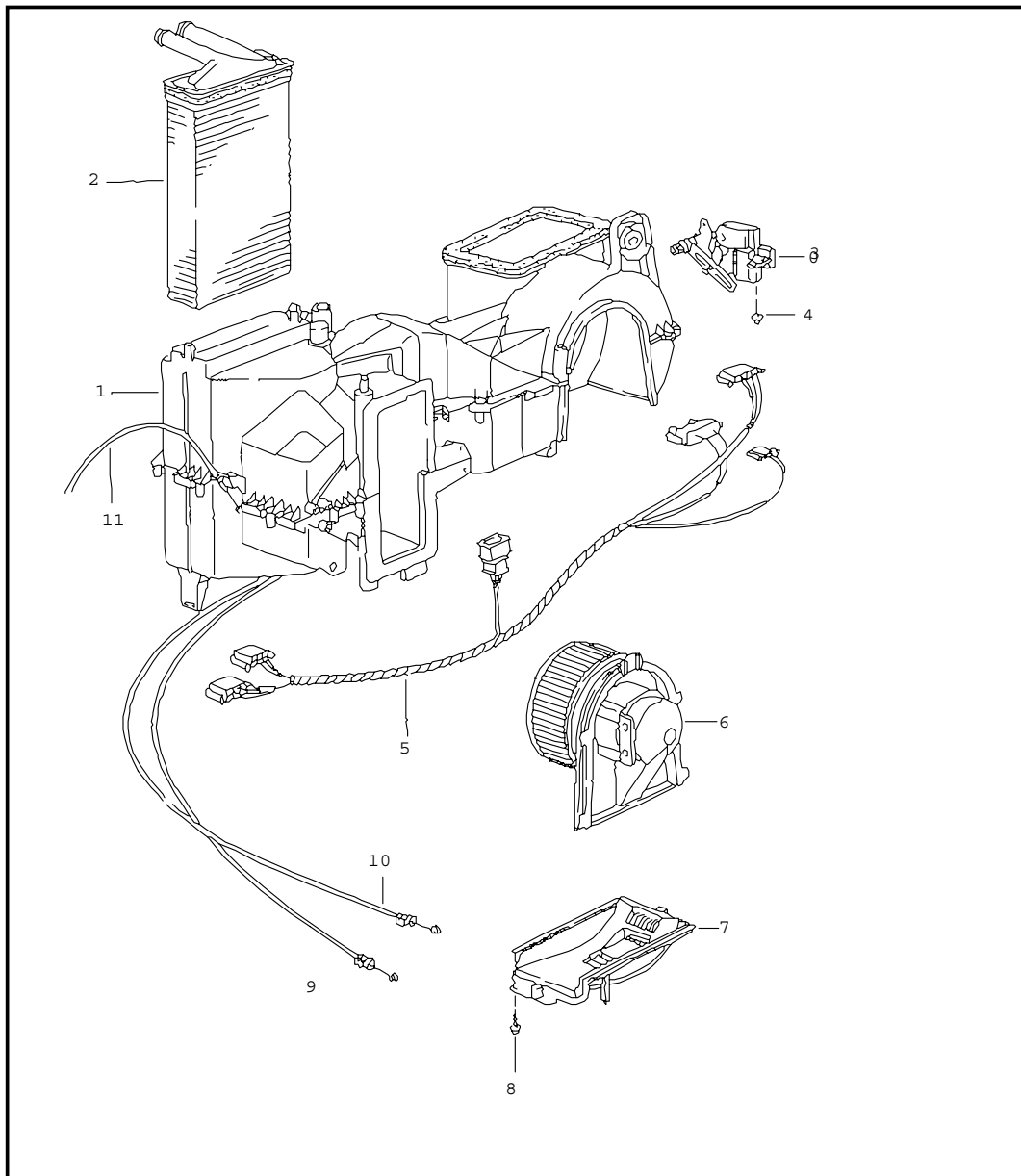


Pos	Part Number	Name	Remarks	Qty	Model
		air conditioner single parts			M 573
1	996 573 901 02	air conditioner	/LL	1	
1	996 573 901 01	air conditioner without heat exchanger with evaporator	/RL	1	
--	996 552 601 01	support		1	
2	996 572 129 00	heat exchanger		1	
4	996 573 929 01	expansion valve		1	
5	900 143 102 02	tapping screw		2	
6	996 573 915 00	electric motor central valve	/LL	1	
6	996 573 915 01	electric motor central valve	/RL	1	
7	1J0 907 543 B	temperature sensor		1	
8	996 572 903 02	blower	/LL -99	1	
8	996 624 107 01	blower use also:	/LL 00- -99	1	
--	000 043 300 99	parts kit		1	
8	996 572 903 03	blower	/RL -99	1	
8	996 624 108 01	blower use also:	/RL 00-	1	
--	000 043 300 99	parts kit		1	
9	996 573 905 00	cover		1	
10	900 143 102 02	hexagon-head bolt		1	
11	996 573 919 00	electric motor temperature valve	/LL	1	
(11)	996 573 919 01	electric motor temperature valve	/RL	1	
12	900 143 102 02	hexagon-head bolt		1	
13	900 143 102 02	hexagon-head bolt		1	
14	996 612 047 00	wiring harness	/LL 98	1	
14	996 612 047 01	wiring harness	/LL 99-	1	

Model	Year	MG	SG	Illustration	Restrictions	Update	13:13	23.08.2006	PORSCHE	PET	PORSCHE
996	05	8	13	813-05		203					

Pos	Part Number	Name	Remarks	Qty	Model	Pos	Part Number	Name	Remarks	Qty	Model
14	996 622 047 00	wiring harness	/LL 01-	1							
(14)	996 612 048 00	wiring harness	/RL 98	1							
(14)	996 612 048 01	wiring harness	/RL 99-	1							
(14)	996 622 048 00	wiring harness	/RL 01-	1							
15	900 143 102 02	hexagon-head bolt		1							
16	900 143 102 02	hexagon-head bolt		1							
17	996 573 917 00	electric motor defroster flap	/LL	1							
(17)	996 573 917 01	electric motor defroster flap	/RL	1							
18	1H0 907 543 A	temperature sensor		1							
19	900 143 102 02	hexagon-head bolt		1							
20	996 573 921 00	electric motor air flow sensor plate	/LL	1							
(20)	996 573 921 01	electric motor air flow sensor plate	/RL	1							
21	996 573 923 00	resistor		1							
--	996 573 925 00	intake air temper. sensor		1							
--	996 573 927 00	blower outlet sensor		1							
--	996 572 511 02	sound absorber	/LL -02	1							
--	996 572 511 04	sound absorber	/LL 03-	1							
--	996 572 511 03	sound absorber	/RL -02	1							
--	996 572 511 05	sound absorber	/RL 03-	1							
--	1H0 819 943	screw		2							
--	996 552 601 01	support for heat. and ventilation unit		1							
		- - - E N D - - -									

Model	Year	MG	SG	Illustration	Restrictions	Update	13:14	23.08.2006	PORSCHE	PET	PORSCHE
996	05	8	13	813-06		203					

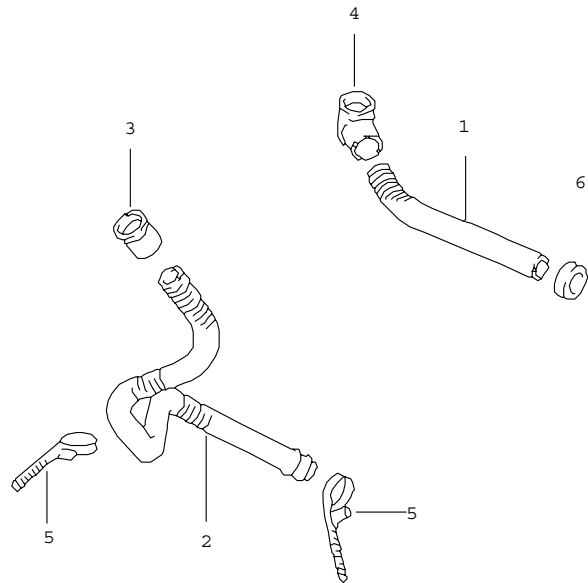


Pos	Part Number	Name	Remarks	Qty	Model
		heater single parts			
1	996 572 901 00	housing	/LL	1	
(1)	996 572 901 01	housing	/RL	1	
2	996 572 129 00	heat exchanger		1	
3	996 572 915 00	electric motor		1	
4	999 919 049 02	tapping screw		1	
5	996 612 045 00	wiring harness	/LL 98	1	
5	996 612 045 01	wiring harness	/LL 99-	1	
(5)	996 612 046 00	wiring harness	/RL 98	1	
(5)	996 612 046 01	wiring harness	/RL 99-	1	
6	996 572 903 02	blower	/LL -99	1	
6	996 624 107 01	blower use also:	/LL 00- -99	1	
--	000 043 300 99	parts kit		1	
(6)	996 572 903 03	blower	/RL -99	1	
(6)	996 624 108 01	blower use also:	/RL 00- -99	1	
--	000 043 300 99	parts kit		1	
7	996 572 905 00	cover with resistor		1	
8	999 919 049 02	tapping screw		2	
9	996 572 605 00	traction defroster	/LL	1	
9	996 572 605 01	traction defroster	/RL	1	
10	996 572 607 00	traction temperature valve	/LL	1	
10	996 572 607 01	traction temperature valve	/RL	1	
11	996 572 601 00	traction central valve	/LL	1	
11	996 572 601 01	traction central valve	/RL	1	

Model	Year	MG	SG	Illustration	Restrictions	Update					
996	05	8	13	813-06		203	13:14	23.08.2006	PORSCHE	PET	PORSCHE

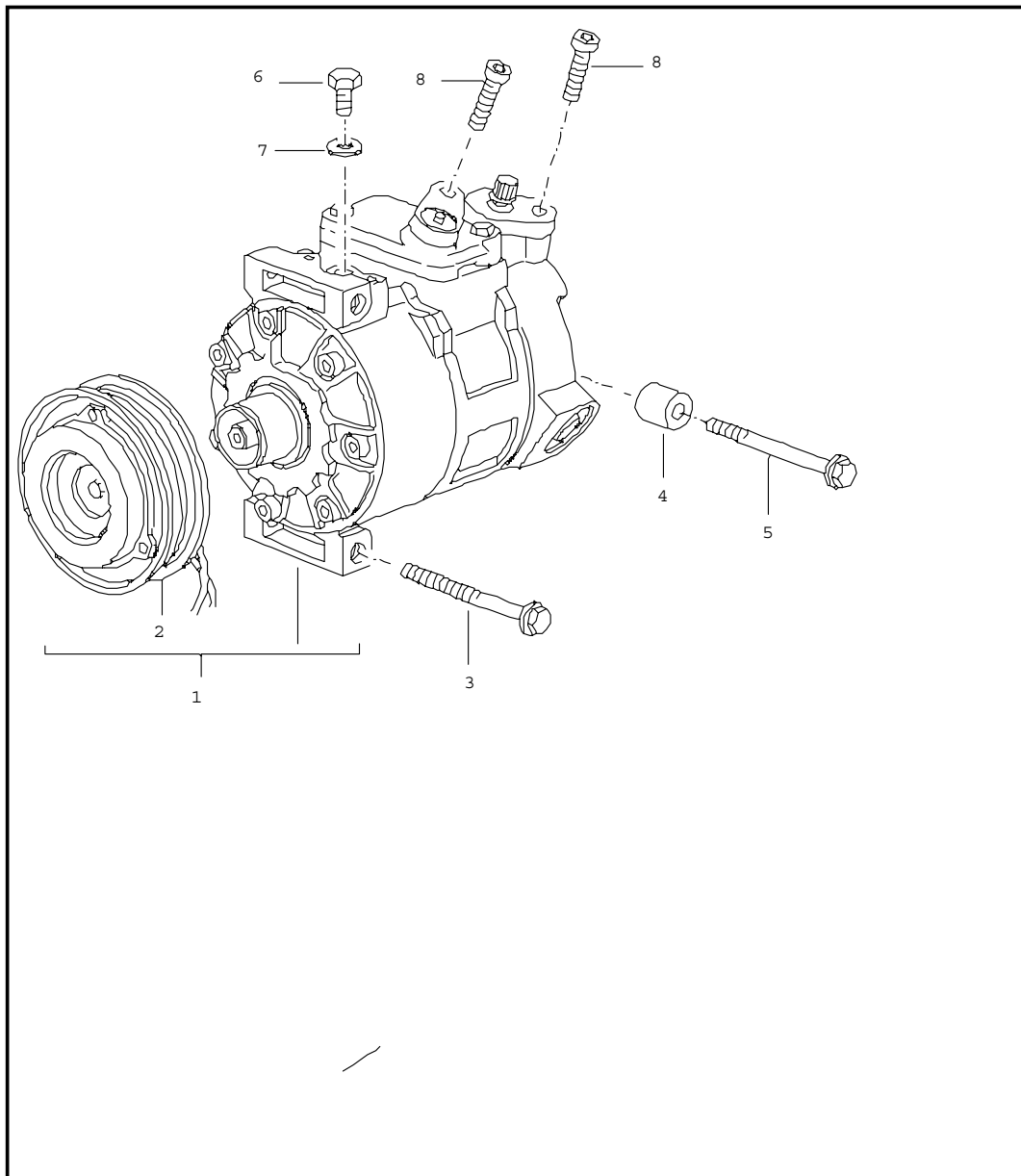
Pos	Part Number	Name	Remarks	Qty	Model	Pos	Part Number	Name	Remarks	Qty	Model
		- - - E N D - - -									

Model	Year	MG	SG	Illustration	Restrictions	Update	13:14	23.08.2006	PORSCHE	PET	PORSCHE
996	05	8	13	813-10		203					



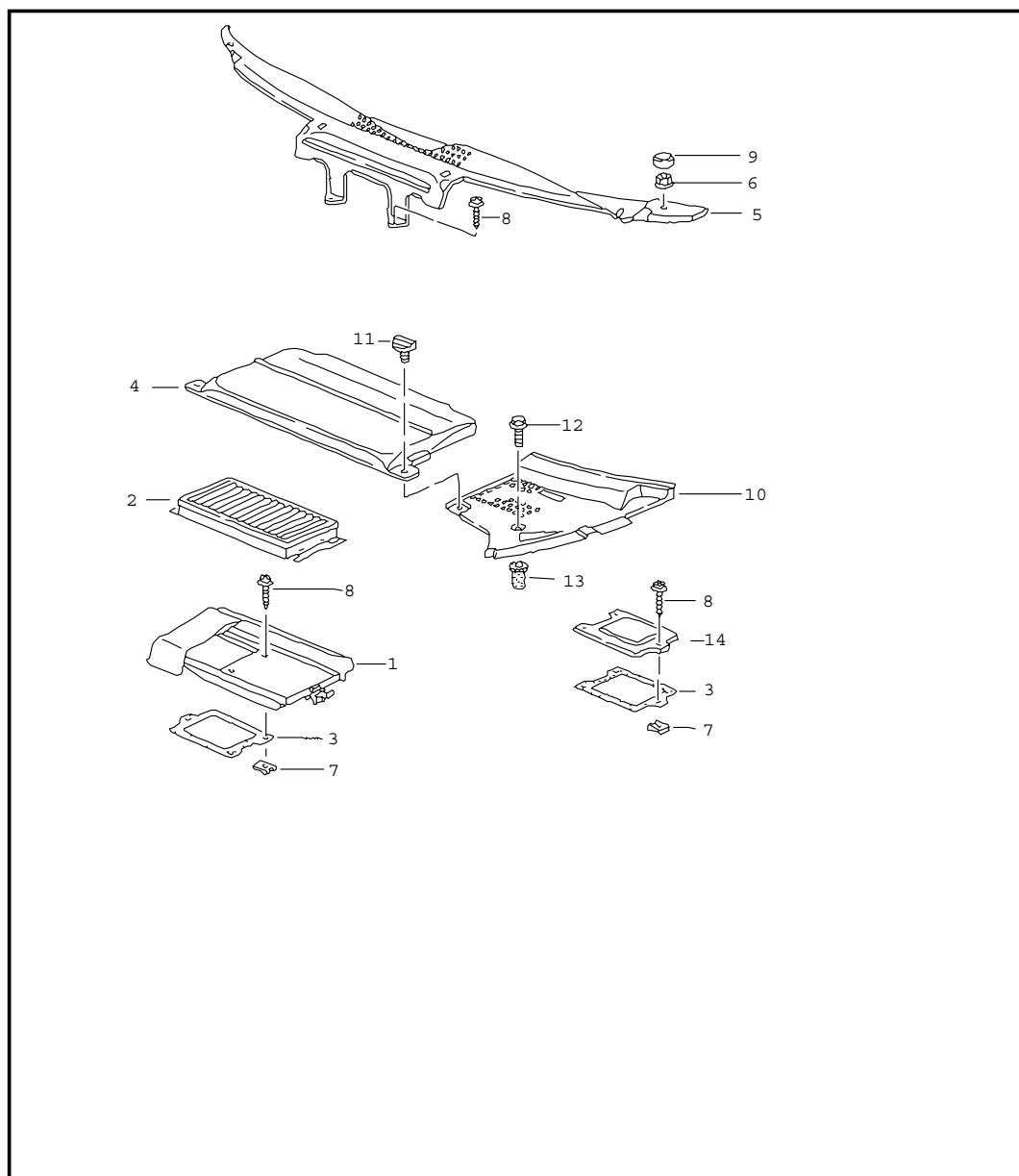
Pos	Part Number	Name	Remarks	Qty	Model
		water drain tube mount sound absorber heater air conditioner			
1	996 504 643 00	water drain tube		1	
2	996 504 644 00	water drain tube		1	
3	996 504 645 00	grommet		1	
4	996 504 646 00	grommet		1	
5	999 513 049 40	tie-wrap		1	
6	999 702 156 40	grommet		1	
--	996 573 797 02	connecting piece		1	
--	996 573 795 01	grommet		1	
--	996 573 793 01	water drain tube		1	
--	996 573 794 01	water drain tube		1	
--	996 504 649 00	grommet		2	
		- - - E N D - - -			

Model	Year	MG	SG	Illustration	Restrictions	Update	13:14	23.08.2006	PORSCHE	PET	PORSCHE
996	05	8	13	813-15		203					



Pos	Part Number	Name	Remarks	Qty	Model
		compressor			
1	996 126 011 52	compressor		1	
2	996 573 926 00	magnetic clutch		1	
3	900 378 075 09	hexagon-head bolt M 8X90		1	
4	996 126 102 52	spacer sleeve	-03	1	
4	996 126 102 53	spacer sleeve	04-	1	
5	900 378 136 09	hexagon-head bolt M 8X120		1	
6	996 573 926 01	hexagon-head bolt		1	
7	996 573 926 02	sealing ring		1	
8	900 067 252 02	hexagon socket head bolt		2	
		- - - E N D - - -			

Model	Year	MG	SG	Illustration	Restrictions	Update	13:14	23.08.2006	PORSCHE	PET	PORSCHE
996	05	8	13	813-20		203					



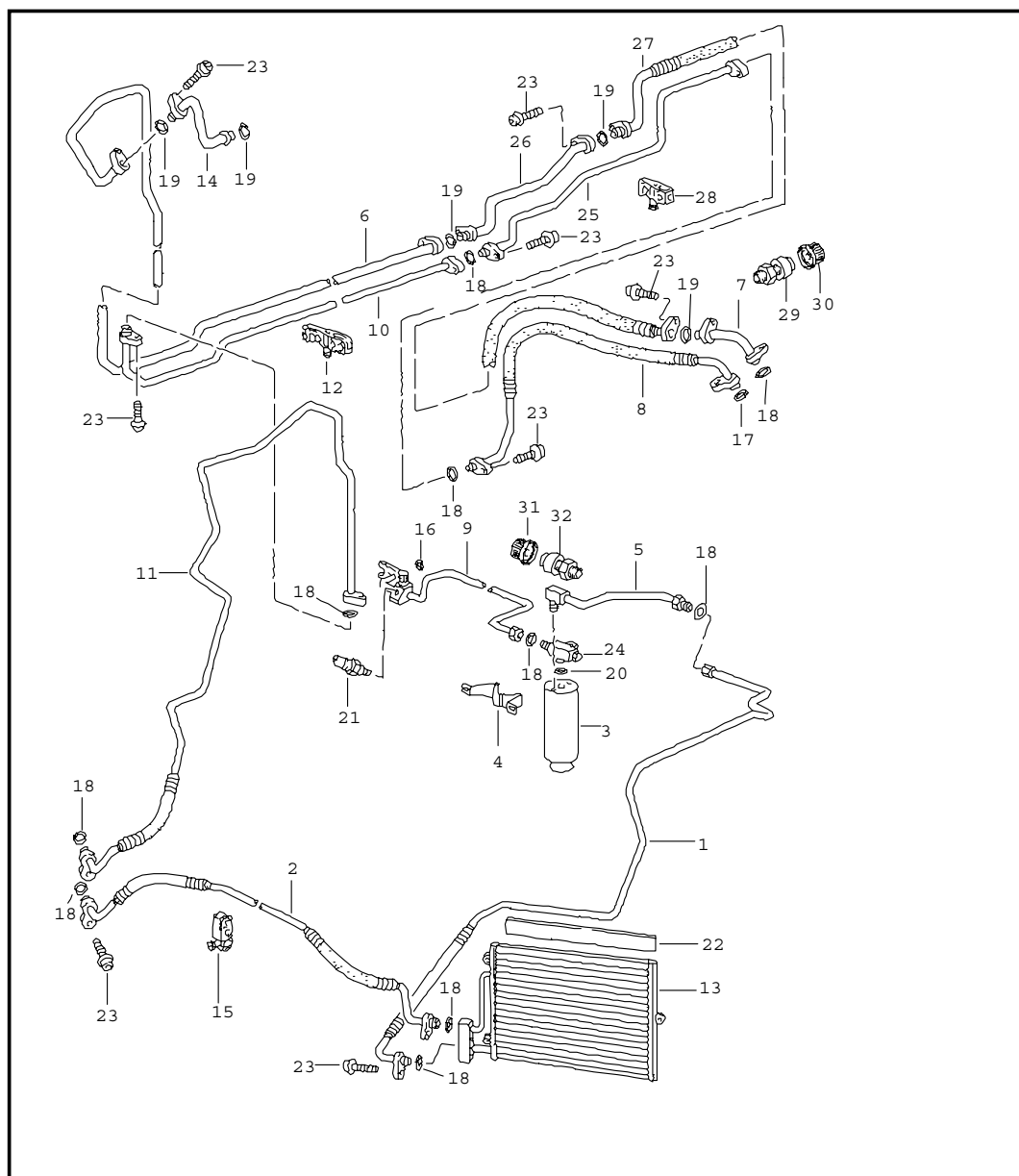
Pos	Part Number	Name	Remarks	Qty	Model
		particle filter cowl panel covering			
1	996 572 019 02	housing	/LL	1	
1	996 572 019 03	housing	/RL	1	
2	996 572 219 01	particle filter		1	
2	996 571 219 03	particle filter		1	M 571
3	996 572 221 02	gasket	02-	1	
4	996 572 567 01	cover		1	
	01C	black battery			
(4)	996 572 729 00	cover particle filter	/LL	1	
(4)	996 572 729 02	cover particle filter	/RL	1	
5	996 572 563 04	cowl panel covering	/LL -00	1	
	01C	black			
5	996 572 563 06	cowl panel covering	/LL 01-	1	
	01C	black			
		use also:			
-	996 572 931 00	gasket		1	
-	996 572 661 00	cover vehicle identification no.		1	
5	996 572 563 05	cowl panel covering	/RL -00	1	
	01C	black			
5	996 572 563 07	cowl panel covering	/RL 01-	1	
	01C	black			
		use also:			
-	996 572 931 00	gasket		1	
6	999 049 008 40	plastic nut		2	
7	999 591 722 02	speed nut		3	
8	999 073 142 09	combination tapping screw		3	
9	996 572 569 00	cap	-00	2	



Model	Year	MG	SG	Illustration	Restrictions	Update	13:14	23.08.2006	PORSCHE	PET	PORSCHE
996	05	8	13	813-20		203					

Pos	Part Number	Name	Remarks	Qty	Model	Pos	Part Number	Name	Remarks	Qty	Model
		01C black									
(9)	996 572 569 01	cap	/L 01-	1							
		01C black									
(9)	996 572 570 01	cap	/R 01-	1							
		01C black									
10	996 572 561 01	cover	/L	1							
		01C black									
(10)	996 572 562 01	cover	/R	1							
		01C black									
11	999 590 045 40	screw plug		X							
--	999 590 046 40	disc cam		X							
12	999 073 143 09	oval-head screw		2							
13	999 500 092 00	nut		2							
14 A	996 572 719 01	cover		2							
14	996 572 719 01	cover		2							
		- - - E N D - - -									

Model	Year	MG	SG	Illustration	Restrictions	Update	13:14	23.08.2006	PORSCHE	PET	PORSCHE
996	05	8	13	813-25		203					

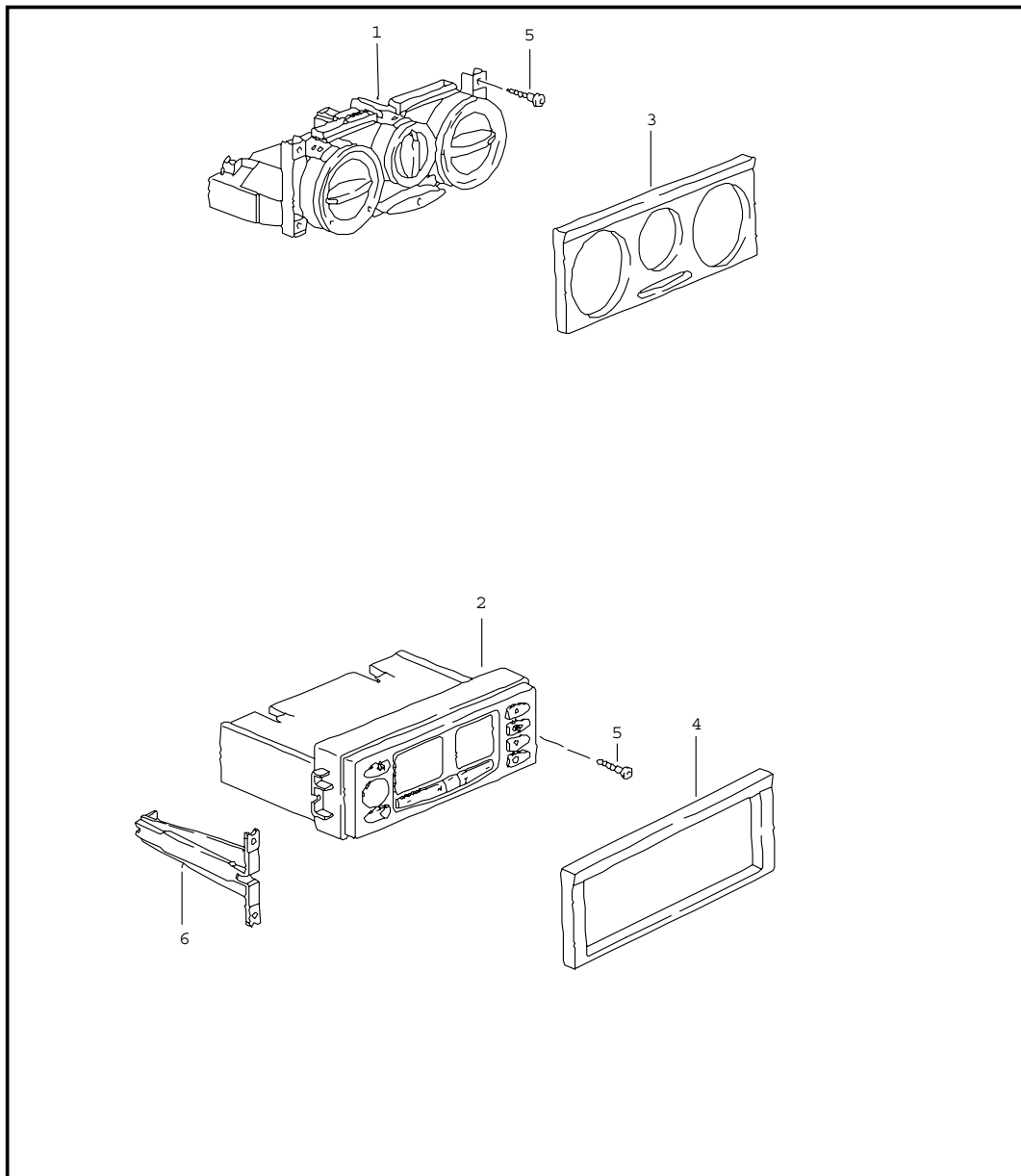


Pos	Part Number	Name	Remarks	Qty	Model
		refrigerant circuit			
1	996 573 105 03	refrigerant line	-01	1	
1	996 573 105 05	refrigerant line	02-	1	
1	A 996 573 105 04	refrigerant line	02-	1	C4S
1	996 573 105 06	refrigerant line	02-	1	C4S
2	996 573 104 02	refrigerant line		1	
2	996 573 104 03	refrigerant line		1	C4S
3	944 573 143 01	desiccator		1	
4	996 573 451 00	support		1	
5	996 573 106 00	refrigerant line		1	
6	996 573 091 01	refrigerant line		1	
--	996 573 769 01	grommet		1	
7	996 573 099 02	refrigerant line		1	
8	996 573 097 02	refrigerant line		1	
9	996 573 108 01	pressure line	/RL	1	
(9)	996 573 108 02	pressure line	/LL -01	1	
(9)	996 573 108 03	pressure line	/LL 02-	1	
10	996 573 092 01	pressure line		1	
11	996 573 094 02	refrigerant line	-01	1	
11	996 573 094 04	refrigerant line	02-	1	
11	996 573 094 03	refrigerant line		1	C4S
12	996 347 543 00	cable holder		2	
13	996 573 111 00	condenser		2	
(13)	996 573 111 03	condenser		2	C4S
14	996 573 093 02	intake pipe	/LL	1	
14	996 573 093 03	intake pipe	/RL	1	
15	P 996 347 543 00	cable holder		2	
16	999 707 247 40	o-ring 7,5X2		2	

Model	Year	MG	SG	Illustration	Restrictions	Update	13:14	23.08.2006	PORSCHE	PET	PORSCHE
996	05	8	13	813-25		203					

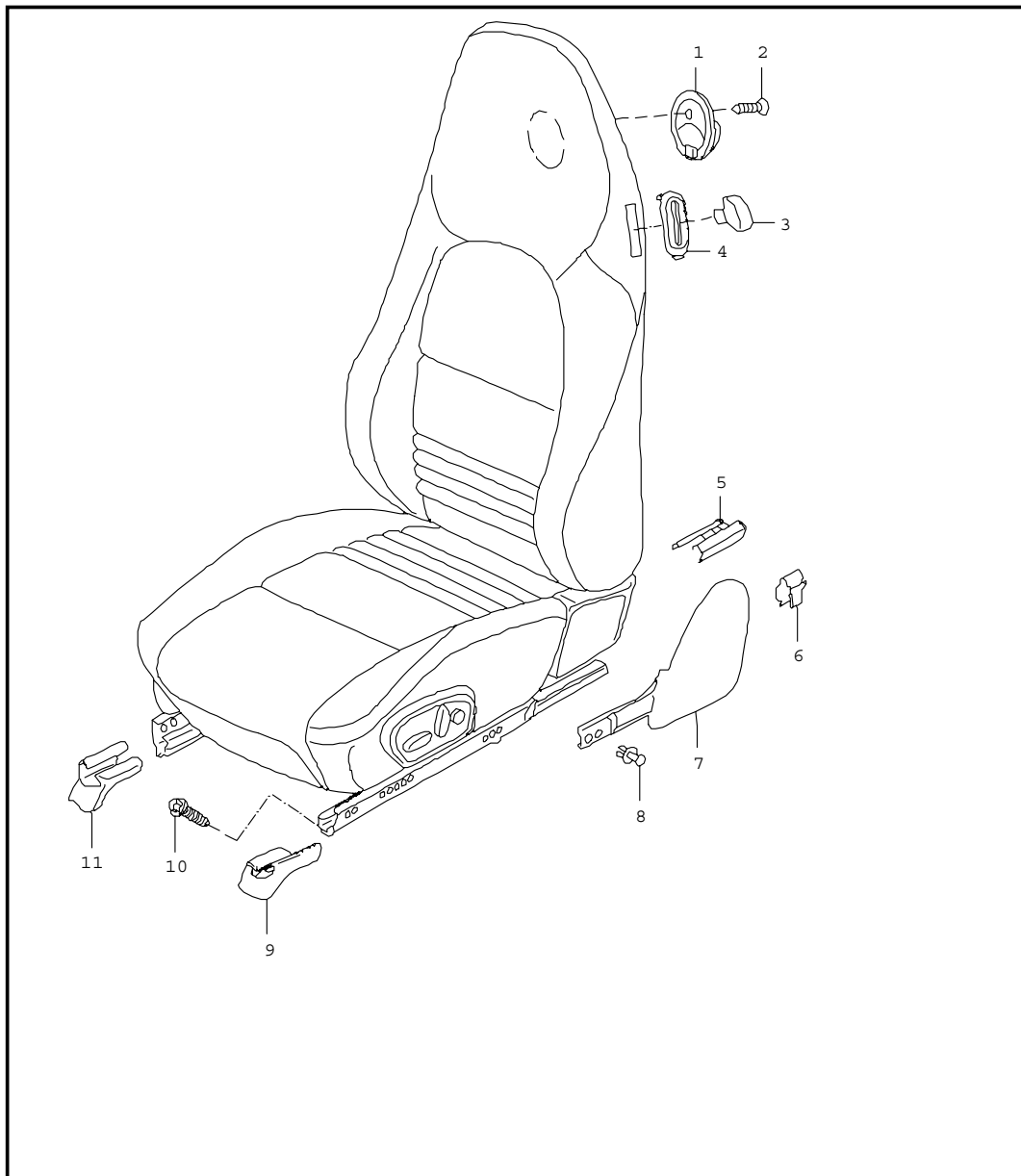
Pos	Part Number	Name	Remarks	Qty	Model	Pos	Part Number	Name	Remarks	Qty	Model
17	999 707 382 40	o-ring 23,8X2,4		8							
18	999 707 250 40	o-ring 10,6X2		8							
19	999 707 252 40	o-ring 17X2		3							
20	999 707 262 40	o-ring 6,7X1,8		X							
21	964 613 137 01	pressure switch		1							
22	996 573 711 00	cover strip		2							
22	996 573 711 01	cover strip		2	C4S						
23	900 067 247 02	screw		X							
24	993 573 243 00	distributing piece		1							
25	996 573 096 02	pressure line		1							
26	996 573 931 00	intake pipe	-01	1							
27	996 573 930 00	intake pipe	-01	1							
(27) A	996 573 095 05	intake pipe	02-	1							
(27)	996 573 095 07	intake pipe	02-	1							
28	999 511 230 40	cable holder use also:		X							
--	999 511 231 41	rubber mounting		X							
29	996 573 465 00	valve		1							
30	944 573 663 01	valve cap		1							
31	944 573 663 02	valve cap		1							
32	996 573 466 00	valve		1							
		- - - E N D - - -									

Model	Year	MG	SG	Illustration	Restrictions	Update	13:15	23.08.2006	PORSCHE	PET	PORSCHE
996	05	8	13	813-45		203					



Pos	Part Number	Name	Remarks	Qty	Model
		control switch			
1	996 572 101 00	control part	-01	1	
	01C	black			
1	996 572 101 01	control part	02-	1	
	01C	black			
-	900 631 132 90	bulb		1	
2	996 653 101 03	control part	-01	1	M 573
	EFR	black			
2	996 653 101 08	control part	02-	1	M 573
	EFR	gloss black			
2	996 653 101 09	control part	02-	1	M 573
	EFR	black mat			
2	996 653 101 10	control part	03-	1	
	FFA	black mat			
3	996 552 153 01	cover		1	
	01C	black			
4	996 552 677 00	cover	-01	1	M 573
	01C	black			
4	996 552 677 01	cover	02-	1	
	01C	black			
(4)	996 552 339 00	cover		1	M 573/662
	01C	black			
--	191 853 615 A	grommet for POS.4		X	
5	900 143 076 09	tapping screw		X	
6	996 573 501 00	adapter		2	M 573
- - - E N D - - -					

Model	Year	MG	SG	Illustration	Restrictions	Update	13:15	23.08.2006	PORSCHE	PET	PORSCHE
996	05	8	17	817-00		203					



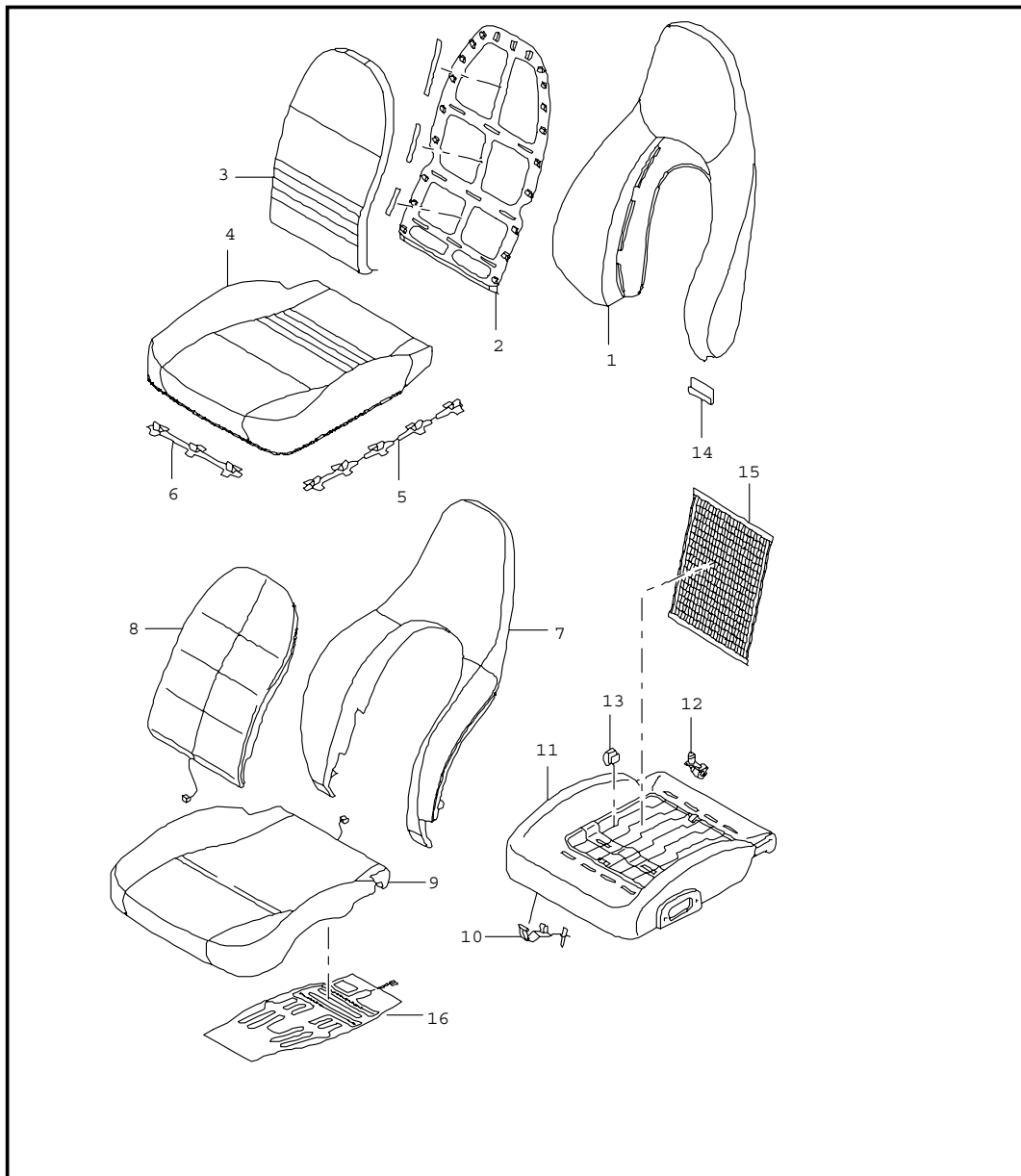
Pos	Part Number	Name	Remarks	Qty	Model
		front seat			CARRERA
		front seat complete			
		not available			
1	996 521 373 00	coat hook		2	
	A03	black			
2	999 919 199 09	countersunk-head screw M 5 X 25		2	
3	996 521 321 00	actuating lever	-99	4	
(3)	996 521 421 00	control button	/L 00-	2	
(3)	996 521 422 00	control button	/R 00-	2	
4	996 521 323 00	rose satin black	/L 99	2	
(4)	996 521 324 00	rose satin black	/R 99	2	
(4)	996 521 323 02	rose satin black	/L 00-	2	
(4)	996 521 324 02	rose satin black	/R 00-	2	
5	996 521 357 00	cover rear	/L -99	2	IXSE/XSF
	01C	satin black			
(5)	996 521 358 00	cover rear	/R -99	2	IXSE/XSF
	01C	satin black			
6	999 507 592 01	cable clamp cover 1,0 - 6,0		2	
7	996 521 315 00	cap	/L	1	
	D05	granite grey	-99		
	A03	black	00-		
	C53	graphite grey	00-		
	S33	savanna	00-		
	G13	metropole blue	00-		
	J33	nephrite green	00-		

Model	Year	MG	SG	Illustration	Restrictions	Update	13:15	23.08.2006	PORSCHE	PET	PORSCHE
996	05	8	17	817-00		203					

Pos	Part Number	Name	Remarks	Qty	Model	Pos	Part Number	Name	Remarks	Qty	Model
	M33	boxster red	00-			(11)	996 521 362 01	cover seat rail front inner	/L	1	IXSE
(7)	996 521 316 00	cap	/R -02	1							
	D05	granite grey	-99				01C	satin black			
	A03	black	00-			(11)	996 521 364 01	cover seat rail front inner	/R	1	M 437/438
	C53	graphite grey	00-								
	S33	savanna	00-								
	G13	metropole blue	00-				01C	satin black			
	J33	nephrite green	00-			(11)	996 521 363 01	cover seat rail front inner	/L	1	M 437/438
	M33	boxster red	00-								
8	999 507 599 40	expansion rivet 10		2			01C	satin black			
9	996 521 359 01	cover seat rail front outer	/L	1	IXSE						
	01C	satin black									
(9)	996 521 360 01	cover seat rail front outer	/R	1	IXSF						
	01C	satin black									
(9)	996 521 363 01	cover seat rail front outer	/L	1	M 437/438						
	01C	satin black									
(9)	996 521 364 01	cover seat rail front outer	/R	1	M 437/438						
	01C	satin black									
10	999 141 039 07	screw M 10 X 28		8	IXSE/XSF						
11	996 521 361 01	cover seat rail front inner	/R	1	IXSF						
	01C	satin black									

- - - E N D - - -

Model	Year	MG	SG	Illustration	Restrictions	Update	13:15	23.08.2006	PORSCHE	PET	PORSCHE
996	05	8	17	817-05		203					



Pos	Part Number	Name	Remarks	Qty	Model
		cover foam part series seat comfort seat			CARRERA
1	996 521 141 01	backrest cover outer part leatherette/leather	-99	2	M 946
		EAE black/black			
		EEE graphite grey/graphite gr.			
		EGH space grey/space grey			
		EFE metropole bl./metrop. blue			
		EGE savanna/savanna			
(1)	996 521 141 01	backrest cover outer part leatherette/leather	-00	2	M 946
		ESJ space grey/space grey			
		ESH metropole bl./metrop. blue			
		ESG savanna/savanna			
		ESF graphite grey/graphite gr.			
		ESE black			
(1)	996 521 141 05	backrest cover backrest outer part	01-	2	M 946
		ESE black			
		ESF graphite grey			
		ESG savanna			
		ESH metropole blue			
		FEP nephrite green			
(1)	996 521 993 00	backrest cover outer part with porsche emblem leatherette/leather	99-	2	IXSC/M 946
		8YR black/black	99		
		B50 space grey/space grey			

Model	Year	MG	SG	Illustration	Restrictions	Update	13:15	23.08.2006	PORSCHE	PET	PORSCHE
996	05	8	17	817-05		203					

Pos	Part Number	Name	Remarks	Qty	Model	Pos	Part Number	Name	Remarks	Qty	Model
	C50	graphite grey/graphite gr.					ELA	nephrite green			
	G10	metropole bl./metrop. blue					ENA	boxster red			
	S30	savanna/savanna					FEH	cinnamon brown			
	ETO	black	00-				VRA	dark grey/natural			
(1)	996 521 141 02	backrest cover outer part leather		2	M 982/983	(1)	996 521 141 06	cover backrest outer part	01-	2	M 982/983
	EAF	black	-99				VRB	brown/natural			
	ERZ	black	-00				ERZ	black			
	EEF	graphite grey					EEF	graphite grey			
	EGJ	space grey	-00				EGF	savanna			
	EFF	metropole blue					EGF	savanna			
	EGF	savanna					EFF	metropole blue			
	ELA	nephrite green					ELA	nephrite green			
	ENA	boxster red					ENA	boxster red			
	VRA	dark grey	-00				FEH	cinnamon brown			
	VRB	brown/natural	-00				VRA	dark grey/natural			
	FEH	cinnamon brown	-00				VRB	brown/natural			
(1)	996 521 141 03	backrest cover outer part		2	IXSU/M 946	(1)	996 521 993 01	backrest cover outer part with porsche emblem leather		2	IXSC M 982/983
	ESE	black					8YR	black	99		
	ESF	graphite grey					B50	space grey	-00		
	ESG	savanna					C50	graphite grey			
	ESH	metropole blue					G10	metropole blue			
	FEP	nephrite green					S30	savanna			
(1)	996 521 141 04	backrest cover outer part		2	IXSU M 982/983		J30	nephrite green			
	ERZ	black					M30	boxster red			
	EEF	graphite grey					T11	brown/natural			
	EGF	savanna					D11	dark grey/natural			
	EFF	metropole blue					P11	cinnamon brown			



Model	Year	MG	SG	Illustration	Restrictions	Update	13:15	23.08.2006	PORSCHE	PET	PORSCHE
996	05	8	17	817-05		203					

Pos	Part Number	Name	Remarks	Qty	Model	Pos	Part Number	Name	Remarks	Qty	Model
	ETO	black	00-				ETO	black	00		
2	996 521 551 00	frame	-00	2			C50	graphite grey			
(2)	996 521 551 01	frame backrest cover	01-	2			B50	space grey	-00		
3	996 521 151 01	backrest cushion cover leather	-00	2	M 946/983		G10	metropole blue			
	8YR	black	-99				S30	savanna			
	ETO	black	00				J30	nephrite green			
	C50	graphite grey					M30	boxster red			
	B50	space grey	-00				D11	dark grey	00		
	G10	metropole blue				(3)	996 521 151 06	backrest cushion cover centre part draped leather not for lowering foam part	01-	2	M 982
	S30	savanna					ETO	black			
	J30	nephrite green				(3)	996 521 151 06	backrest cushion cover centre part draped leather not for lowering foam part	01-	2	M 982
	M30	boxster red					C50	graphite grey			
	D11	dark grey	00				S30	savanna			
	T11	brown/natural	00				G10	metropole blue			
(3)	996 521 151 05	backrest cushion cover leather not for lowering foam part	01-	2	M946/983		J30	nephrite green			
	ETO	black					M30	boxster red			
	C50	graphite grey					P11	cinnamon brown			
	S30	savanna					D11	dark grey/natural			
	J30	nephrite green					T11	brown/natural			
	M30	boxster red				(3)	996 521 151 07	backrest cushion cover		2	IXSU
	G10	metropole blue					ETO	black			M 946/983
	P11	cinnamon brown					C50	graphite grey			
	D11	dark grey					S30	savanna			
	T11	brown/natural									
(3)	996 521 151 03	backrest cushion cover draped leather	-00	2	M 982						
	8YR	black	-99								

Model	Year	MG	SG	Illustration	Restrictions	Update	13:15	23.08.2006	PORSCHE	PET	PORSCHE
996	05	8	17	817-05		203					

Pos	Part Number	Name	Remarks	Qty	Model	Pos	Part Number	Name	Remarks	Qty	Model
	G10	metropole blue					ESE	black	00-		
	J30	nephrite green				(4)	996 521 161 05	seat cover leatherette/ seat surface leather	01-	2	M 946
	M30	boxster red					ESE	black/black			
	P11	cinnamon brown					ESF	graphite grey/graphite gr.			
	D11	dark grey/natural					ESG	savanna/savanna			
	T11	brown/natural					ESH	metropole bl./metrop. blue			
(3)	996 521 151 08	cover backrest draped leather centre part with lowering		2	IXSU/M 982		FEP	nephrite gr./neph. green			
	ETO	black				(4)	996 521 161 02	seat cover seat cushion leather	-00	2	M 983
	C50	graphite grey					EAF	black	-99		
	S30	savanna					ERZ	black	00-		
	G10	metropole blue					EEF	graphite grey			
	J30	nephrite green					EGJ	space grey/space grey	-00		
	M30	boxster red					EFF	metropole blue			
	P11	cinnamon brown					EGF	savanna			
	D11	dark grey/natural					ELA	nephrite green			
	T11	brown/natural					ENA	boxster red			
(3)	996 521 151 09	cover centre part		2	M 095/983		VRA	dark grey	00-		
	D13	dark grey/natural special model forty fast years				(4)	996 521 161 06	seat cover seat cushion leather	01-	2	M 983
4	996 521 161 01	seat cover leatherette/ seat surface leather	-00	2	M 946		ERZ	black	00-		
	EAE	black/black	99				EEF	graphite grey			
	ESF	graphite grey/graphite gr.					EFF	metropole blue			
	ESJ	space grey/space grey					EGF	savanna			
	ESH	metropole bl./metrop. blue					ELA	nephrite green			
	ESG	savanna/savanna					ENA	boxster red			
							VRA	dark grey	00-		

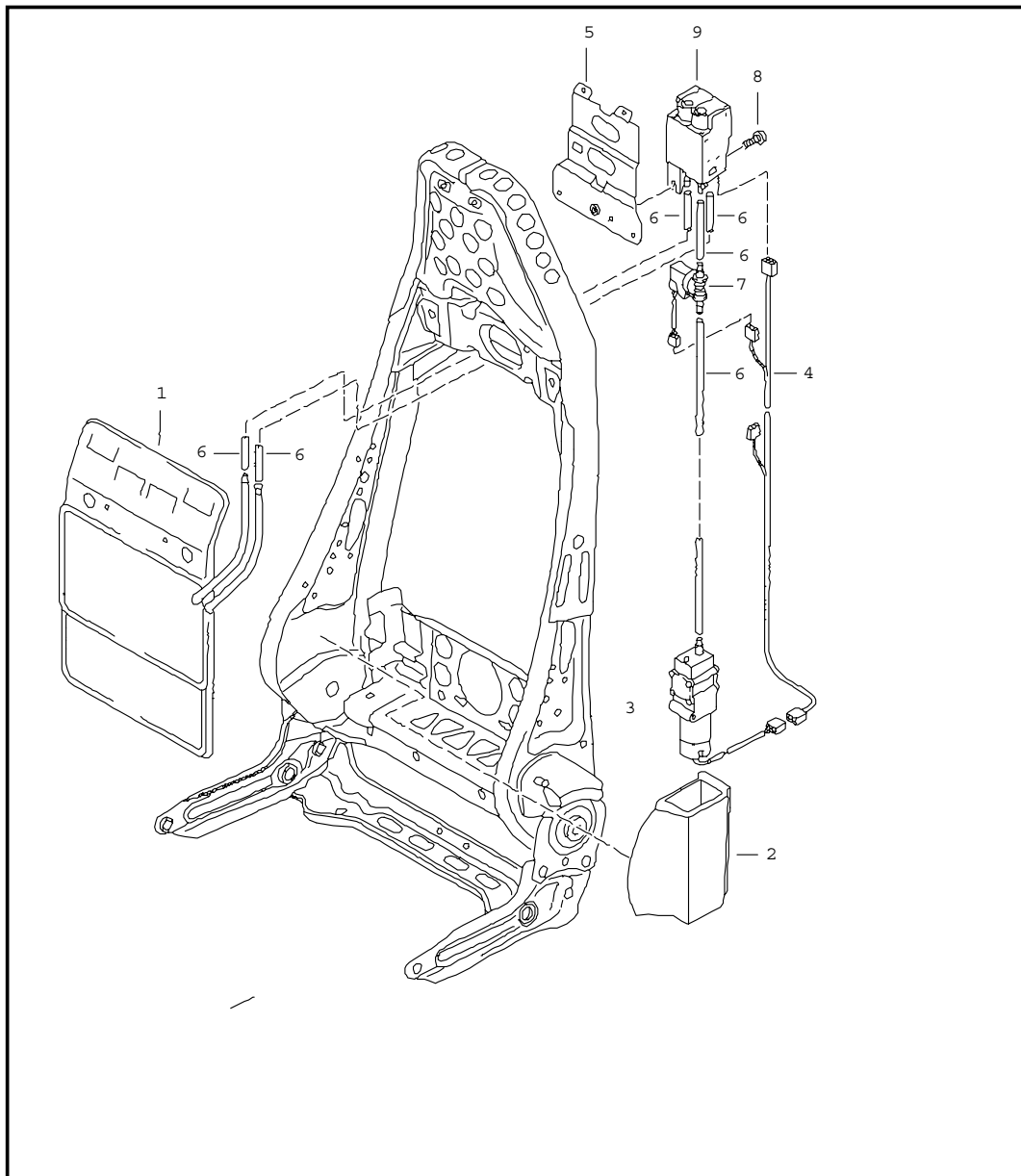
Model	Year	MG	SG	Illustration	Restrictions	Update	13:15	23.08.2006	PORSCHE	PET	PORSCHE
996	05	8	17	817-05		203					

Pos	Part Number	Name	Remarks	Qty	Model	Pos	Part Number	Name	Remarks	Qty	Model	
(4)	996 521 161 09	VRB brown/natural	00-	2	IXSU/M 983	(4)	996 521 161 07	ERZ black	00-	2	M 982	
		FEH cinnamon brown	01-					EEF graphite grey	01-			
		cover	03-					EFF metropole blue				
		ERZ black						EGF savanna				
		EEF graphite grey						ELA nephrite green				
		EGF savanna						ENA boxster red				
		EFF metropole blue						VRA dark grey				00-
		ELA nephrite green						VRB brown/natural				00-
		ENA boxster red						seat cover				01-
		FEH cinnamon brown						draped leather				00-
		VRA dark grey/natural						ERZ black				
VRB brown/natural	EEF graphite grey											
(4)	996 521 161 10	cover	03-	2	IXSU/M 982	(4)	996 521 161 08	FEH cinnamon brown	01-	2	IXSU/M 946	
		seat cushion						EFF metropole blue				
		with						EGF savanna				
		lowering						ELA nephrite green				
		ERZ black						ENA boxster red				
		EEF graphite grey						VRA dark grey	00-			
		EGF savanna						VRB brown/natural	00-			
		EFF metropole blue						cover	02-			
		ELA nephrite green						seat cushion	01-			
		ENA boxster red						ESE black				
		FEH cinnamon brown						ESF graphite grey				
VRA dark grey/natural	ESG savanna											
VRB brown/natural	ESH metropole blue											
(4)	996 521 161 11	seat cover	04-	2	M 095/983	5	996 521 543 00	SEF metropole blue		-00	4	
		seat cushion						FEP nephrite green				
(4)	996 521 161 03	special model	-00	2	M 982	6	996 521 541 00	clamp		-00	6	
		VSY dark grey/natural						40 JAHRE PORSCHE				long
		seat cover						-99				short
	EAF black					7	996 521 535 04	foam part	01-	2		
								backrest frame				

Model	Year	MG	SG	Illustration	Restrictions	Update	13:15	23.08.2006	PORSCHE	PET	PORSCHE
996	05	8	17	817-05		203					

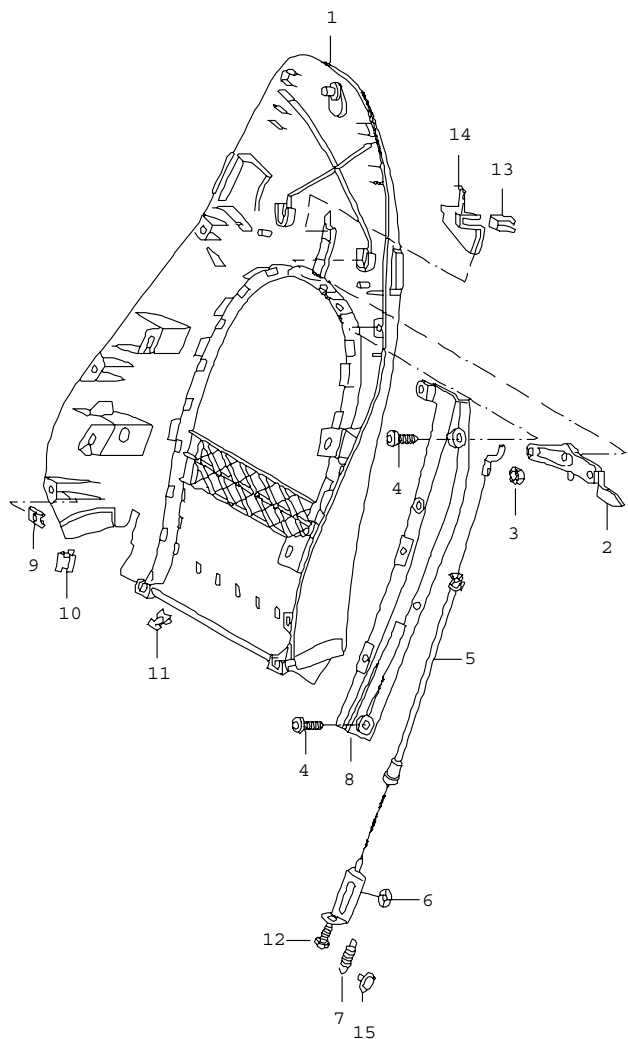
Pos	Part Number	Name	Remarks	Qty	Model	Pos	Part Number	Name	Remarks	Qty	Model
(7)	996 521 535 06	foam part backrest outer part	02-	2	IXSU	14	996 521 515 00	catch for backrest cover		4	
(8)	996 521 531 00	foam part backrest cushion without heating		2		15	996 521 507 01	mat seat cushion cushion carrier	02-	1	
8	996 521 531 01	foam part backrest cushion with heating		2	M 139/340 M 342	16	996 653 105 01	heating element	01-	1	M 342
(8)	996 521 539 00	foam part backrest with heating		2	IXSU/M 139 M 340/342	(16)	996 653 105 02	heating element seat surface	02-	1	IXSU/M 342
(8)	996 521 537 00	foam part backrest cushion without heating	02-	2	IXSU						
(9)	996 521 521 00	foam part seat cushion without heating	-00	2							
9	996 521 521 01	foam part seat cushion with heating	-00	2	M 139/340						
(9)	996 521 571 00	foam part seat cushion	01-	2							
(9)	996 521 523 00	foam part seat cushion without heating	02-	2	IXSU						
(9)	996 521 525 00	foam part seat cushion with heating	02-	2	IXSU/M 139 M 340/342						
10	996 521 597 00	clip		8							
(10)	996 521 937 00	clip for cushion carrier	01-	10							
11	996 521 509 00	cushion carrier	-00	2							
(11)	996 521 505 00	cushion carrier seat cushion front seat	01-	2							
12	999 507 506 40	cable holder 5,0		1	M 539/540						
13	999 651 314 01	cable clamp 3,0 - 4,0		8	M 139/340 M 553						
								- - - E N D - - -			

Model	Year	MG	SG	Illustration	Restrictions	Update	13:15	23.08.2006	PORSCHE	PET	PORSCHE
996	05	8	17	817-07		203					



Pos	Part Number	Name	Remarks	Qty	Model
		lumbar support			CARRERA
1	996 521 709 00	lumbar support complete		2	M 513/586
2	996 521 719 00	sound absorber compressor		2	M 513/586
3	996 620 725 00	compressor		2	M 513/586
4	996 612 541 00	harness lumbar support adjustment		2	M 513/586
(4)	996 612 542 00	harness lumbar support adjustment		2	M 513/586 M 537/538
5	996 521 721 00	support valve housing		2	M 513/586
6	999 181 749 40	air hose seating position control		2	M 513/586 M 537/538
7	996 613 725 00	pressure switch		2	M 513/586
8	900 067 051 02	pan-head screw M 5 X 10		2	M 513/586
9	996 617 725 00	valve housing without memory		2	M 513/586
(9)	996 617 726 00	valve housing seating position control		2	M 513/586 M 537/538
- - - E N D - - -					

Model	Year	MG	SG	Illustration	Restrictions	Update	13:16	23.08.2006	PORSCHE	PET	PORSCHE
996	05	8	17	817-10		203					

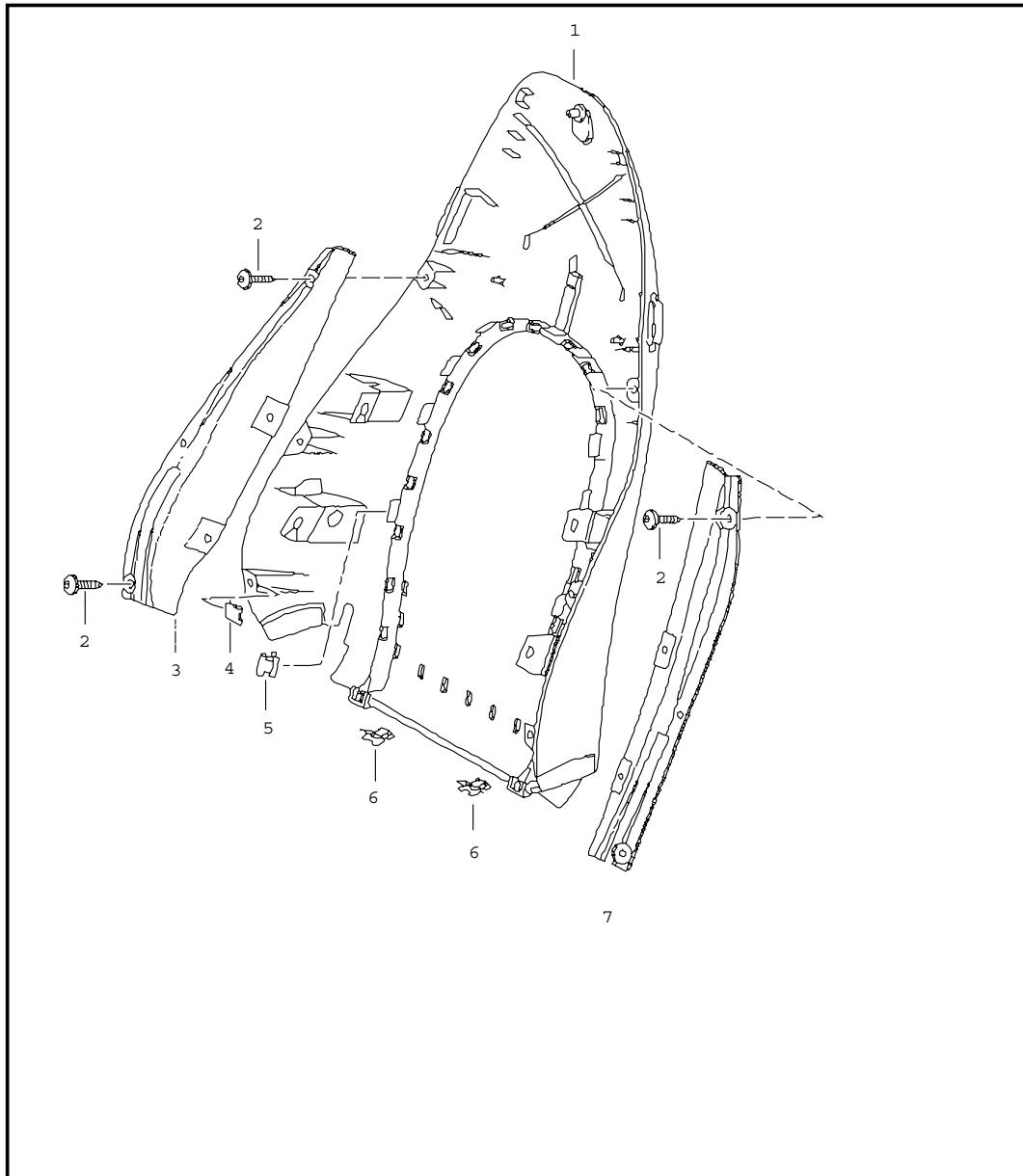


Pos	Part Number	Name	Remarks	Qty	Model
		backrest shell series seat comfort seat	98		CARRERA
1	996 521 083 00	backrest shell leatherette		2	
	A10	black			
	B50	space grey			
	C50	graphite grey			
	G10	metropole blue			
	S30	savanna			
1	996 521 083 01	backrest shell leather	98	2	
	8YR	black			
	C50	graphite grey			
	G10	metropole blue			
	S30	savanna			
	J30	nephrite green			
	M30	boxster red			
2	996 521 311 00	linkage lever backrest shell	/L	2	
(2)	996 521 312 00	linkage lever backrest shell	/R	2	
3	996 521 339 00	deflection roller backrest shell		4	
4	999 143 009 01	screw backrest shell M 5 X 16 backrest shell		X	
-	900 151 027 02	washer 5,3 backrest shell		4	
5	996 521 385 01	cable		4	
6	N 900 114 02	clamping washer 4		4	
7	999 522 032 00	tension spring 0,7 X 7,5 X 15		4	

Model	Year	MG	SG	Illustration	Restrictions	Update	13:16	23.08.2006	PORSCHE	PET	PORSCHE
996	05	8	17	817-10		203					

Pos	Part Number	Name	Remarks	Qty	Model	Pos	Part Number	Name	Remarks	Qty	Model
8	996 521 319 00	bracket	/R -00	2							
(8)	996 521 320 00	bracket	/R -00	2							
9	999 507 677 01	speed nut M 5		8							
10	999 507 594 01	u-clamp backrest cover 1,0 - 2,0		28							
11	311 881 247	clamp mount cover centre part		2							
-	N 900 151 01	clamping washer 5		2							
13	999 507 596 01	u-clamp 1,00 - 1,50		2							
14	996 521 341 00	relay lever		2							
15	999 703 474 40	plug		2							
-	996 521 903 00	repair kit locking lever see technical information GR. 7 BOXSTER NR. 1A/98		2							
		- - - E N D - - -									

Model	Year	MG	SG	Illustration	Restrictions	Update	13:16	23.08.2006	PORSCHE	PET	PORSCHE
996	05	8	17	817-12		203					



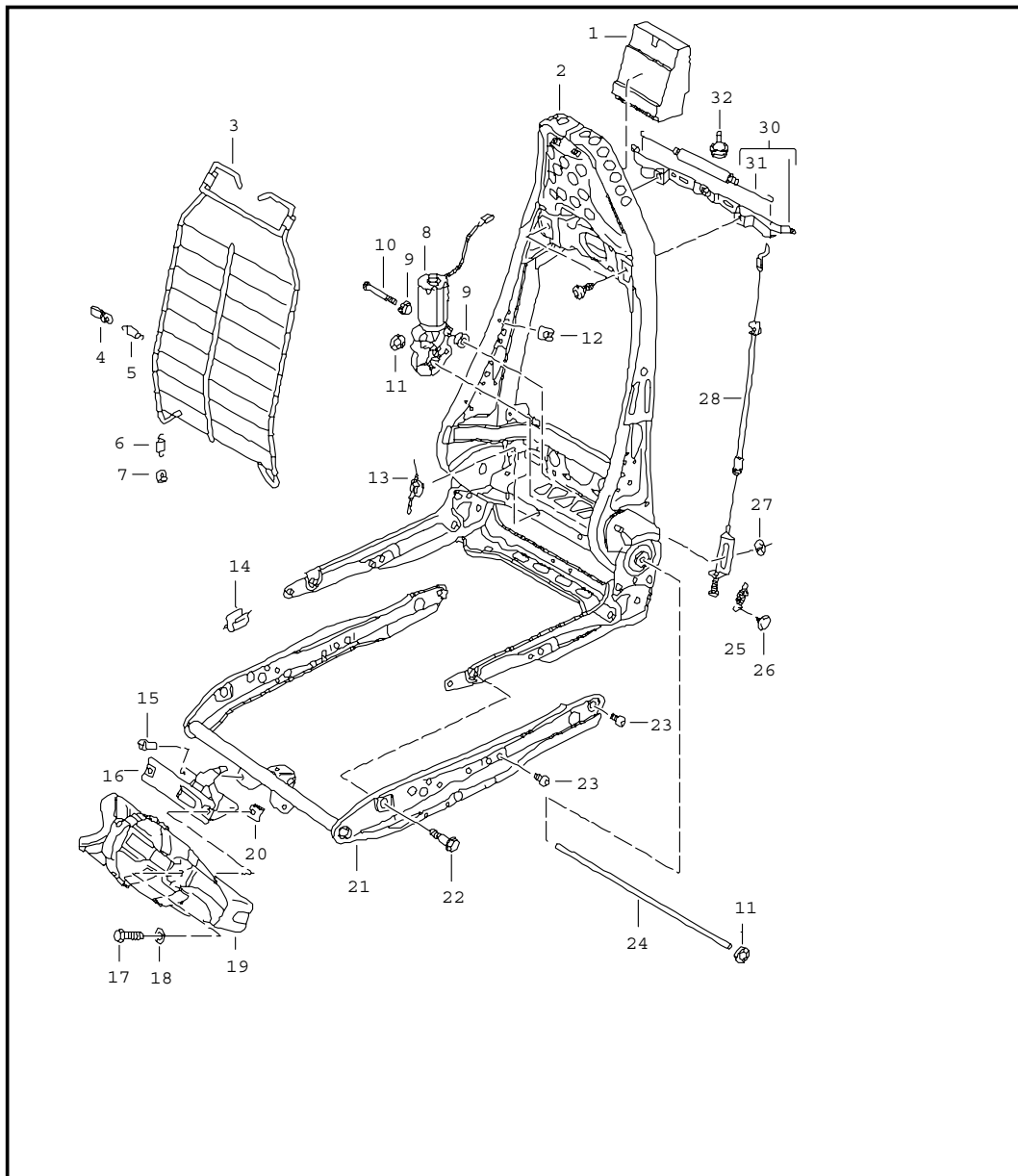
Pos	Part Number	Name	Remarks	Qty	Model
		backrest shell series seat comfort seat			CARRERA
1	996 521 083 03	backrest shell leatherette	99	2	M 946
	A10	black			
	B50	space grey			
	C50	graphite grey			
	G10	metropole blue			
	S30	savanna			
(1)	996 521 083 07	backrest shell leatherette	00-	2	M 946
	A12	black			
	C52	graphite grey			
	S32	savanna			
	G12	metropole blue			
	B52	space grey			
(1)	996 521 083 09	backrest shell leatherette	01-	2	M 946
	A12	black			
	C52	graphite grey			
	S32	savanna			
	G12	metropole blue			
	J32	nephrite green			
(1)	996 521 083 04	backrest shell leather	99	2	M 982/983
	8YR	black			
	C50	graphite grey			
	G10	metropole blue			
	S30	savanna			
	J30	nephrite green			
	M30	boxster red			



Model	Year	MG	SG	Illustration	Restrictions	Update	13:16	23.08.2006	PORSCHE	PET	PORSCHE
996	05	8	17	817-12		203					

Pos	Part Number	Name	Remarks	Qty	Model	Pos	Part Number	Name	Remarks	Qty	Model
(1)	996 521 083 08	backrest shell leather	00-	2	M 982/983	2	999 143 009 01	screw backrest shell M 5 X 16		X	
	8YR	black									
	C50	graphite grey				-	900 151 027 02	washer backrest shell 5,3		4	
	S30	savanna				3	996 521 320 00	bracket	/R -00	2	
	G10	metropole blue				(3)	996 521 320 01	cup	/R 01-	2	
	B50	space grey	-00			4	999 507 677 01	speed nut ST 4,8		8	
	J30	nephrite green				5	999 507 594 01	u-clamp backrest cover 1,0 - 2,0		28	
	M30	boxster red				6	311 881 247	clamp backrest cover centre part 1,5 X 1,75		2	
	D11	dark grey				7	996 521 319 00	bracket	/L -00	2	
	T11	brown/natural				(7)	996 521 319 01	cup	/L 01-	2	
(1)	996 521 083 10	backrest shell leather	01-	2	M 982/983						
	8YR	black									
	C50	graphite grey									
	S30	savanna									
	G10	metropole blue									
	J30	nephrite green									
	M30	boxster red									
	P11	cinnamon brown									
	D11	dark grey/natural									
	T11	brown/natural									
(1)	996 521 083 11	backrest shell	02-	2	M 982/983						
	A80	black			M 985						
	C01	graphite grey									
	S02	savanna									
	G01	metropole blue									
	J01	nephrite green									
	M01	boxster red									
	P01	cinnamon brown									
								- - - E N D - - -			

Model	Year	MG	SG	Illustration	Restrictions	Update	13:16	23.08.2006	PORSCHE	PET	PORSCHE
996	05	8	17	817-15		203					

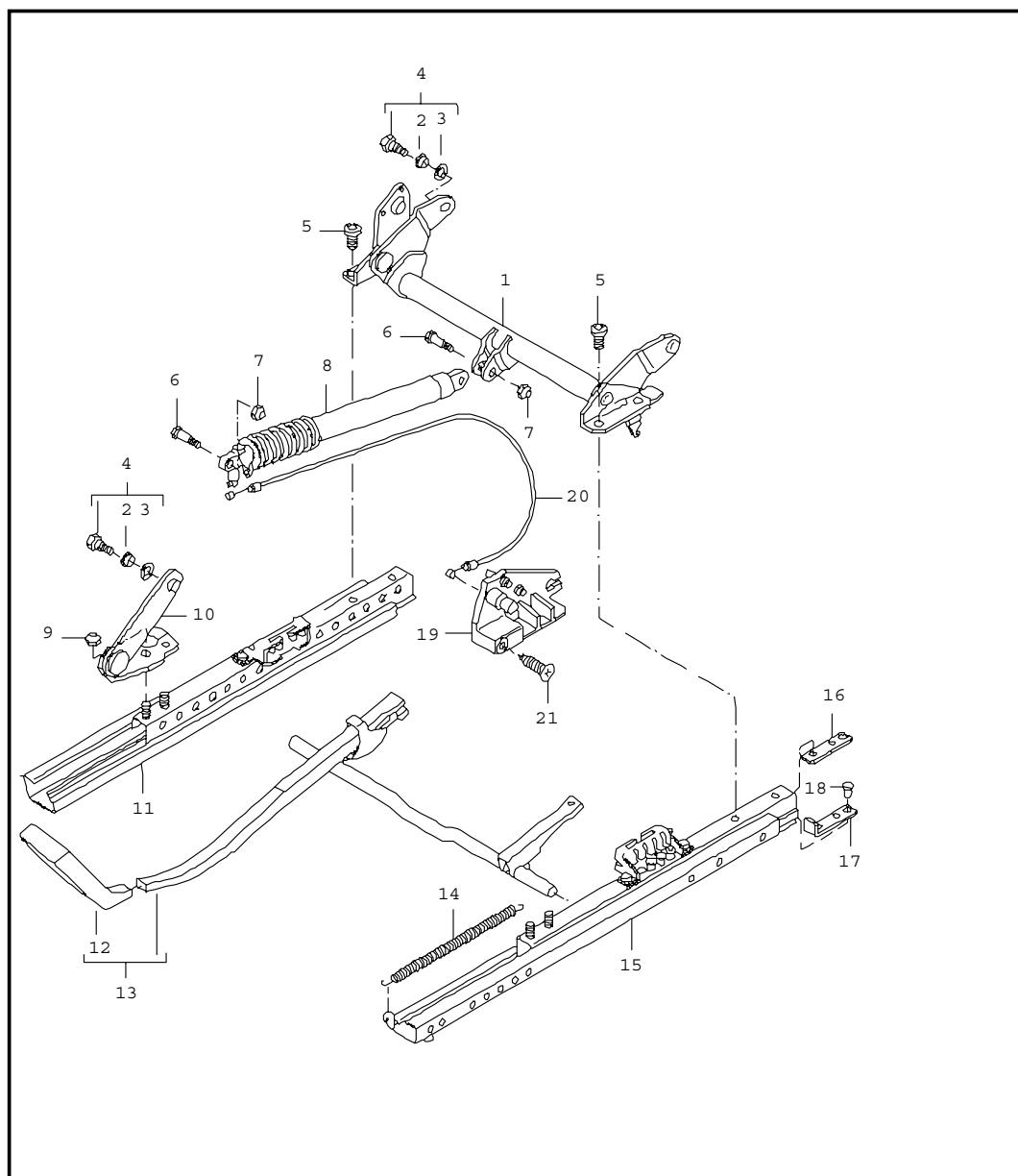


Pos	Part Number	Name	Remarks	Qty	Model
		backrest frame seat frame series seat comfort seat			CARRERA
1	996 521 883 00	foam part backrest frame	-01	2	
(2)	996 521 329 00	backrest frame	-99	2	
(2)	996 521 329 01	backrest frame	00-	2	
3	996 521 355 01	mat		2	
4	996 521 367 00	support spring centre		8	
5	996 521 333 00	spring centre		8	
6	996 521 331 01	spring lower		4	
7	996 521 365 00	support spring lower		4	
8	996 624 321 00	engine		2	
(8)	996 624 331 00	engine seating position control for backrest adjustment		2	M 537/538
9	999 924 129 40	bush 6 X 12 X 4,5		4	
10	999 073 141 02	oval-head screw M 6 X 42,5		2	
11	999 507 597 01	clamping washer 10,0		4	
12	999 507 598 02	speed nut M 5		8	
13	999 513 063 40	cable holder 12,0 - 35		4	
15	999 141 028 02	pan-head screw M 5 X 10		3	
16	996 521 674 00	support fire extinguisher	/LL/R	1	M 509
(16)	996 521 673 00	support fire extinguisher	/RL/L	1	M 509

Model	Year	MG	SG	Illustration	Restrictions	Update	13:16	23.08.2006	PORSCHE	PET	PORSCHE
996	05	8	17	817-15		203					

Pos	Part Number	Name	Remarks	Qty	Model	Pos	Part Number	Name	Remarks	Qty	Model
17	900 067 137 02	pan-head screw M 5 X 16		2	M 509						
18	900 151 027 02	washer 5,3		2	M 509						
19	996 521 607 00	cup fire extinguisher		1	M 509						
20	999 507 067 02	speed nut M 5		2	M 509						
21	996 521 227 00	seat frame		1							
22	996 521 681 01	pin complete		1							
23	999 141 027 02	oval-head screw M 8 X 10		8							
24	996 521 343 01	drive shaft for backrest adjustment		2							
25	999 522 032 00	tension spring 0,7 X 7,5 X 20	-99	4							
26	999 703 474 40	plug 5,4 X 15 X 7,5	-98	4							
(26)	999 703 102 40	plug 4,5 X 6,9 X 11,2	-	4							
27	N 900 114 02	clamping washer 4	-99	4							
28	996 521 185 00	cable		4							
30	996 521 175 00	locking lever		2							
31	996 521 195 00	clutch power spring		2							
32	996 521 403 00	rubber buffer		2							
		- - - E N D - - -									

Model	Year	MG	SG	Illustration	Restrictions	Update	13:16	23.08.2006	PORSCHE	PET	PORSCHE
996	05	8	17	817-18		203					

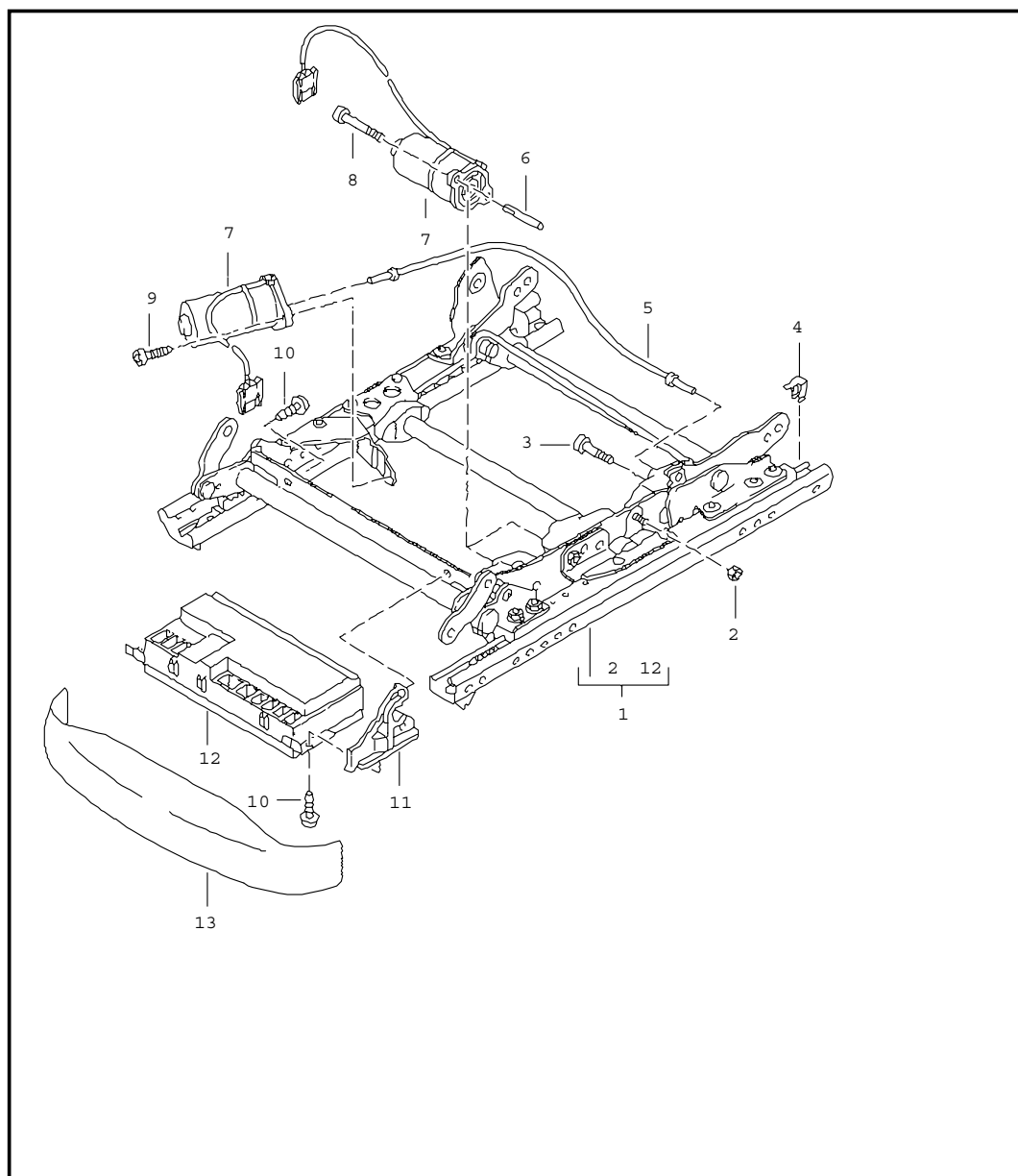


Pos	Part Number	Name	Remarks	Qty	Model
		seat adjuster series seat with height adjustment			CARRERA
1	996 521 641 00	pipe rear	/L	1	
(1)	996 521 642 00	pipe rear	/R	1	
-	999 025 258 40	washer 12 X 19,5 X 0,5		8	M 539/540
2	999 924 132 40	bush 12 X 14 X 4,9	-01	4	
(2)	999 924 156 00	bush 12 X 14 X 6,5	01-	4	
3	999 209 051 00	spacer sleeve		2	
4	996 521 259 02	screw complete	/H	4	M 539/540
(4)	996 521 681 00	pin seat frame	/V	8	
5	986 521 659 00	screw adapter		8	
6	999 311 008 01	square screw gas-filled strut M 5 X 23,6		2	
7	986 521 687 00	nut gas-filled strut		2	
8	996 521 615 01	gas-filled strut		1	M 539/540
9	900 910 003 07	hexagon nut adapter M 8		8	
(10)	986 521 679 00	adapter seat frame front	/L	2	
10	986 521 680 00	adapter seat frame front	/R	2	
11	996 521 692 01	seat rail inner	/R	1	M 369/375
(11)	996 521 691 01	seat rail inner	/L	1	M 370/376

Model	Year	MG	SG	Illustration	Restrictions	Update	13:16	23.08.2006	PORSCHE	PET	PORSCHE
996	05	8	17	817-18		203					

Pos	Part Number	Name	Remarks	Qty	Model	Pos	Part Number	Name	Remarks	Qty	Model
12	996 521 617 01	handle	/L	1	M 369/375						
(12)	996 521 618 01	handle	/R	1	M 370/376						
13	996 521 621 01	lever complete	/L	1	M 369/375						
(13)	996 521 622 01	lever complete	/R	1	M 370/376						
14	996 521 645 00	clutch power spring		2							
15	996 521 689 01	seat rail outer	/L	1	M 369/375						
(15)	996 521 690 01	seat rail outer	/R	1	M 370/376						
16	986 521 643 00	threaded plate		4							
(17)	996 521 603 01	stop		4							
18	996 521 601 00	fixing clip stop		4							
19	996 521 675 00	adjusting mechanism	/L	1	M 539						
(19)	996 521 676 00	adjusting mechanism	/R	1	M 540						
20	986 521 683 00	bowden cable		2	M 539/540						
21	999 919 195 07	countersunk-head screw	-00	2							
(21)	999 919 199 09	countersunk-head screw M 5 X 18	01-	2							
		- - - E N D - - -									

Model	Year	MG	SG	Illustration	Restrictions	Update	13:16	23.08.2006	PORSCHE	PET	PORSCHE
996	05	8	17	817-19		203					

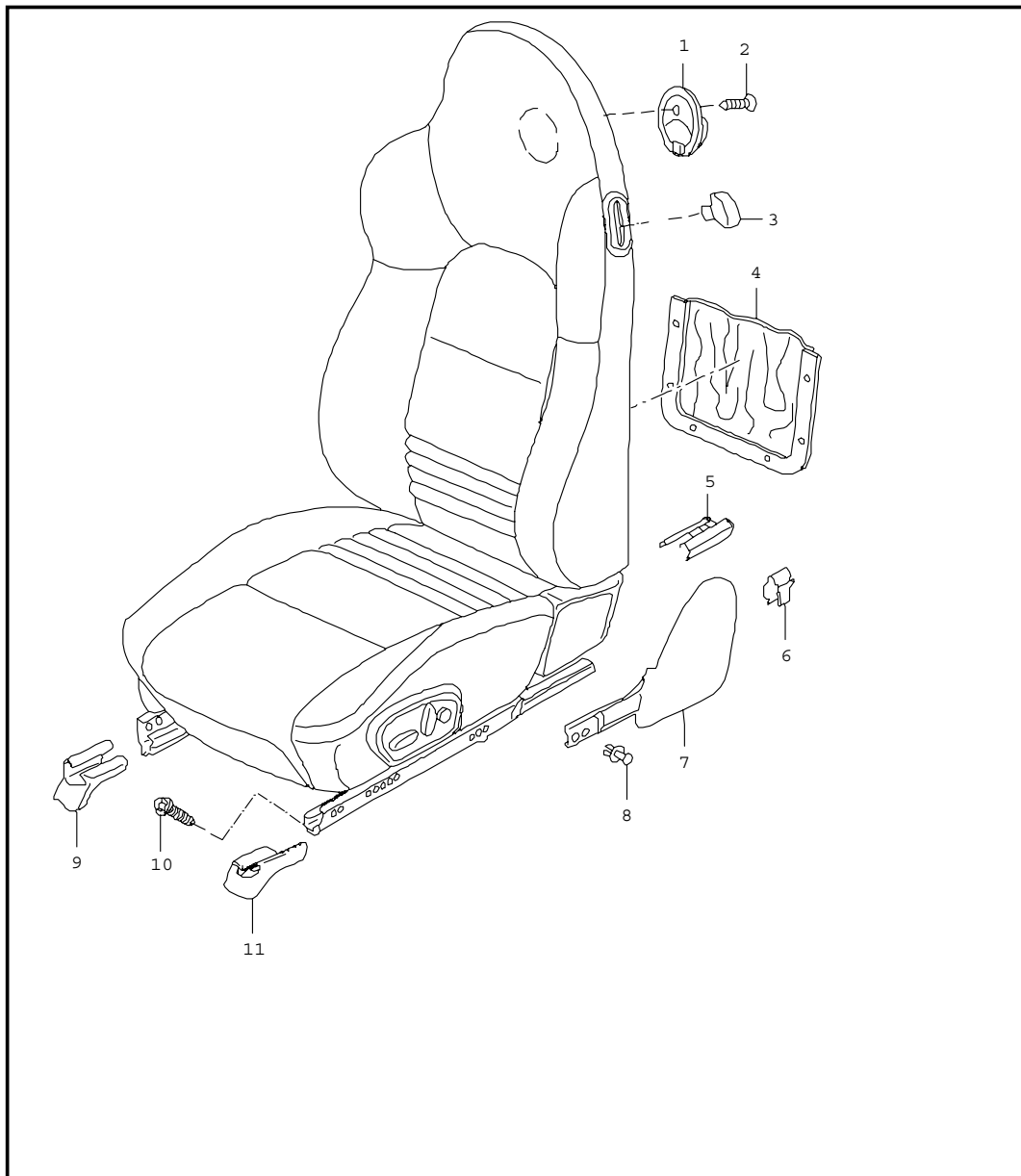


Pos	Part Number	Name	Remarks	Qty	Model
		seat adjuster comfort seat			CARRERA
1	996 521 401 02	seat adjuster complete	/L	1	M 437
(1)	996 521 402 02	seat adjuster complete	/R	1	M 438
(1)	996 521 401 03	seat adjuster complete	/L -00	1	M 437/537
(1)	996 521 402 03	seat adjuster complete	/R -00	1	M 438/539
(1)	996 521 401 06	seat adjuster complete	/L 01-	1	M 437/537
(1)	996 521 402 06	seat adjuster complete	/R 01-	1	M 438/538
(1)	996 521 401 07	seat adjuster complete	/L 02-	1	M 437/537
(1)	996 521 402 07	seat adjuster complete	/R 02-	1	M 438/538
2	999 084 451 02	hexagon nut M 5		4	
3	999 073 144 02	pan-head screw M 5 X 39,3		4	
5	996 521 609 00	drive shaft rear vertical adjustment		2	M 437/438
6	996 521 611 00	shaft		4	M 437/438
7	996 624 322 00	engine		X	
(7)	996 624 332 00	engine seating position control		X	M 537/538
8	999 073 147 02	pan-head screw TORX M 5 X 58		8	
9	999 073 148 02	oval-head screw M 5 X 14		4	
10	999 073 145 02	oval-head screw M 5,0 X 12		X	
11	996 618 547 00	support control unit		4	M 537/538
12	A 996 618 537 00	control unit		2	M 537/538
(12)	996 618 537 02	control unit		2	M 537/538

Model	Year	MG	SG	Illustration	Restrictions	Update	13:16	23.08.2006	PORSCHE	PET	PORSCHE
996	05	8	17	817-19		203					

Pos	Part Number	Name	Remarks	Qty	Model	Pos	Part Number	Name	Remarks	Qty	Model
(12)	996 618 537 01	control unit		2	M 537/538						
(12)	996 618 537 03	control unit seating position control		2	M 537/538						
13	996 521 317 00	cover control unit seating position control		2	M 537/538						
	01C	black									
		- - - E N D - - -									

Model	Year	MG	SG	Illustration	Restrictions	Update	13:17	23.08.2006	PORSCHE	PET	PORSCHE
996	05	8	17	817-20		203					



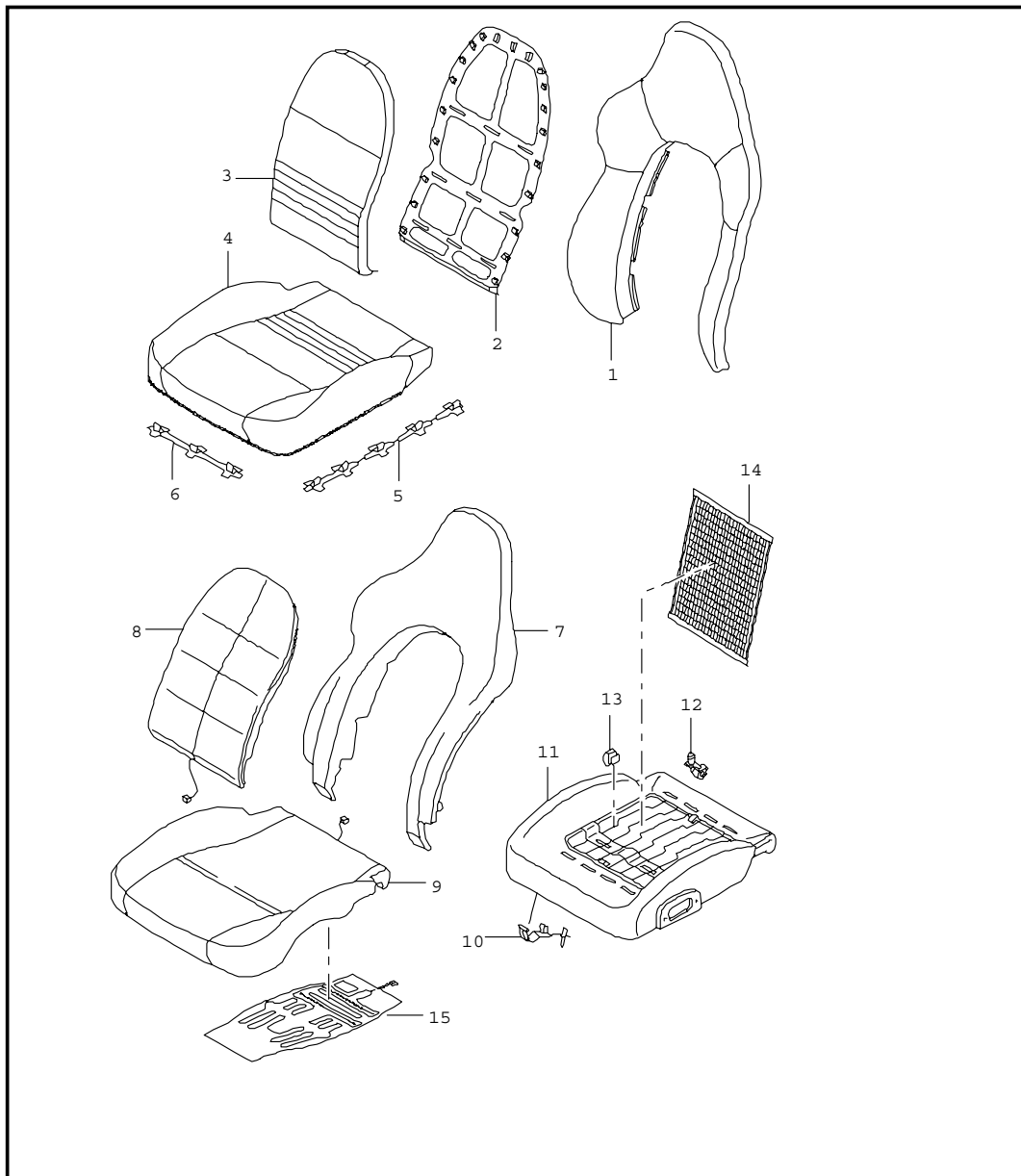
Pos	Part Number	Name	Remarks	Qty	Model
		sports seat			CARRERA
		sports seat complete not available			
(1)	996 521 781 00	emblem	-00	2	
1	996 521 373 00	coat hook	01-	2	
	A03	black			
2	999 919 183 09	oval-head screw M 3,5 X 25		2	
(2)	999 919 199 09	countersunk-head screw M 5,0 X 25	00-	2	
3	996 521 321 01	control button	/L 98	2	M 375/376
(3)	996 521 421 00	control button	/L 99-	2	
(3)	996 521 322 01	control button	/R 98	2	M 375/376
(3)	996 521 422 00	control button	/R 99-	2	
4	996 521 313 01	bag leather	98-	2	M 983
	8YR	black	-99		
	C50	graphite grey			
	B50	space grey			
	G10	metropole blue			
	S30	savanna			
	J30	nephrite green			
	M30	boxster red			
	D11	dark grey	00-		
	T11	brown/natural	00-		
	P11	cinnamon brown			
5	996 521 357 00	cover rear	/L -99	2	
	01C	satin black			
(5)	996 521 358 00	cover rear	/R -99	2	
	01C	satin black			



Model	Year	MG	SG	Illustration	Restrictions	Update	13:17	23.08.2006	PORSCHE	PET	PORSCHE
996	05	8	17	817-20		203					

Pos	Part Number	Name	Remarks	Qty	Model	Pos	Part Number	Name	Remarks	Qty	Model
6	999 507 592 01	cable clamp cover 1,0 - 6,0		2		(9) A	996 521 361 00	cover inner	/R -00	1	IXSF/M 376
7	996 521 315 01	cap	/L	1			01C	satin black			
	D05	granite grey	-99			(9)	996 521 361 01	cover inner	/R 01-	1	IXSF/M 376
	A03	black	00-				01C	satin black			
	C53	graphite grey	00-			10 A	999 141 038 07	torx screw M 10 X 26,5	-02	8	IXSE/XSF
	S33	savanna	00-			(10)	999 141 039 07	screw M 10 X 28	03-	8	IXSE/XSF
	G13	metropole blue	00-			11 A	996 521 360 00	cover outer	/R	1	IXSF/M 376
	J33	nephrite green	00-				01C	satin black			
	M33	boxster red	00-			11	996 521 360 01	cover outer	/R	1	IXSF/M 376
	B13	space grey	00-				01C	satin black			
	P13	cinnamon brown	01-				01C	satin black			
(7)	996 521 316 01	cap	/R	1		(11) A	996 521 359 00	cover outer	/L	1	IXSE/M 375
	D05	granite grey	-99				01C	satin black			
	A03	black	00-			(11)	996 521 359 01	cover outer	/L	1	IXSE/M 375
	C53	graphite grey	00-				01C	satin black			
	S33	savanna	00-				01C	satin black			
	G13	metropole blue	00-								
	J33	nephrite green	00-								
	M33	boxster red	00-								
	B13	space grey	00-								
	P13	cinnamon brown	01-								
8	999 507 599 40	expansion rivet 10		2							
9	A 996 521 362 00	cover inner	/L -00	1	IXSE/M 375						
	01C	satin black									
9	996 521 362 01	cover inner	/L 01-	1	IXSE/M 375						
	01C	satin black									
									- - - E N D - - -		

Model	Year	MG	SG	Illustration	Restrictions	Update	13:17	23.08.2006	PORSCHE	PET	PORSCHE
996	05	8	17	817-25		203					



Pos	Part Number	Name	Remarks	Qty	Model
		cover foam part sports seat			CARRERA
1	996 521 993 02	backrest cover with porsche emblem outer part leather	99-	2	IXSC/M 983
	8YR	black	99		
	C50	graphite grey			
	B50	space grey			
	G10	metropole blue			
	S30	savanna			
	J30	nephrite green			
	M30	boxster red			
	T11	brown/natural			
	D11	dark grey/natural			
	P11	cinnamon brown			
	ETO	black	00-		
			-00		
1	996 521 155 02	backrest cover outer part		2	M 983
	8YR	black			
	C50	graphite grey			
	G10	metropole blue			
	S30	savanna			
	J30	nephrite green			
	M30	boxster red			
	B50	space grey			
1	996 521 155 04	backrest cover outer part leather	-01	2	M 983
	EEF	graphite grey			
	EGF	savanna			

Model	Year	MG	SG	Illustration	Restrictions	Update					
996	05	8	17	817-25		203	13:17	23.08.2006	PORSCHE	PET	PORSCHE

Pos	Part Number	Name	Remarks	Qty	Model	Pos	Part Number	Name	Remarks	Qty	Model
		EFF metropole blue					VRB	brown/natural			
		EGJ space grey				(1)	996 521 155 07	cover outer part special model forty fast years	04	1	M 095/983
		ELA nephrite green					VTE	dark grey/natural			
		ENA boxster red				2	996 521 551 00	frame backrest	-00	2	
		ERZ black				(2)	996 521 551 01	frame backrest	01-	2	
(1)	996 521 155 05	cover backrest outer part leather	02-	2	IXSU/M 983	3	996 521 151 01	backrest cushion cover leather	-00	2	M 946/983
		ERZ black					8YR	black	-99		
		EEF graphite grey					C50	graphite grey	98-		
		EGF savanna					B50	space grey	-00		
		EFF metropole blue					G10	metropole blue	98-		
		ELA nephrite green					S30	savanna	98-		
		ENA boxster red					J30	nephrite green	98-		
		FEH cinnamon brown					M30	boxster red	98-		
		VRA dark grey/natural					ETO	black	00-		
		VRB brown/natural					D11	dark grey	00-		
(1)	996 521 155 06	cover backrest outer part leather	01-	2	M 983	(3)	996 521 151 05	backrest cushion cover leather	01-	2	M 946/983
		ERZ black					T11	brown/natural	00-		
		EEF graphite grey					C50	graphite grey	98-		
		EGF savanna					G10	metropole blue	98-		
		EFF metropole blue					S30	savanna	98-		
		ELA nephrite green					J30	nephrite green	98-		
		ENA boxster red					M30	boxster red	98-		
		FEH cinnamon brown					ETO	black	00-		
		VRA dark grey/natural					D11	dark grey	00-		
							T11	brown/natural	00-		

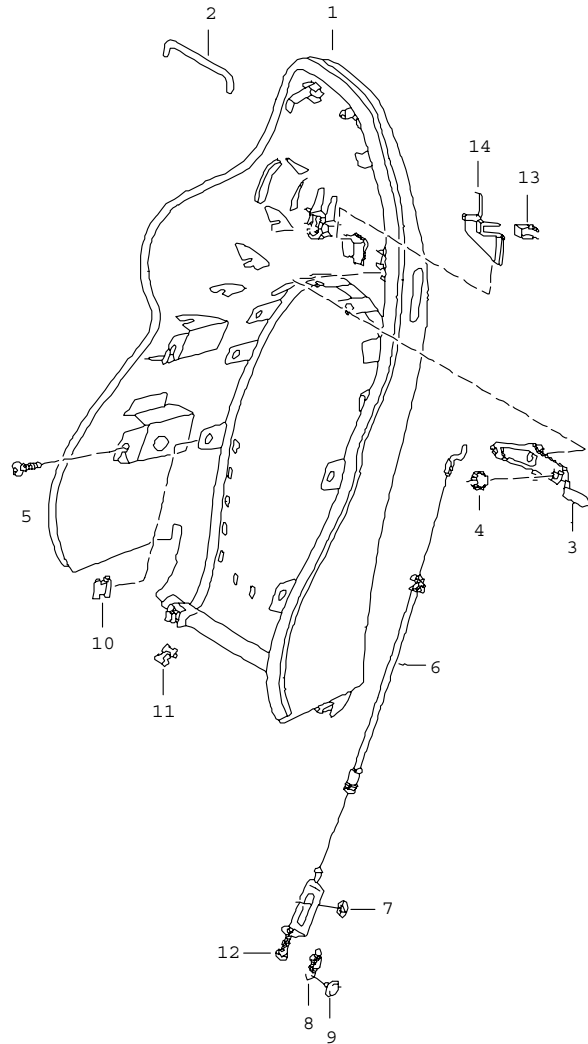
Model	Year	MG	SG	Illustration	Restrictions	Update	13:17	23.08.2006	PORSCHE	PET	PORSCHE
996	05	8	17	817-25		203					

Pos	Part Number	Name	Remarks	Qty	Model	Pos	Part Number	Name	Remarks	Qty	Model
(3)	996 521 151 09	cover centre part special model forty fast years	04	2	M 095/983		EGF	savanna			
	D13	dark grey/natural					EFF	metropole blue			
4	996 521 165 02	seat cover leather	-00	2	M 983		ELA	nephrite green			
	EAF	black	-99				ENA	boxster red			
	EEF	graphite grey					FEH	cinnamon brown			
	EGJ	space grey	-00				VRA	dark grey/natural			
	EFF	metropole blue					VRB	brown/natural			
	EGF	savanna				(4)	996 521 165 06	cover seat cushion special model forty fast years	04	2	M 095/983
	ELA	nephrite green					VSY	dark grey/natural			
	ENA	boxster red				5	996 521 543 00	clamp long	-00	4	
	ERZ	black	00-			6	996 521 541 00	clamp short	-00	6	
	VRA	dark grey	00-			7	996 521 535 01	foam part backrest frame	98	2	
	VRB	brown/natural	00-			(7)	996 521 535 02	foam part backrest frame	99	2	
(4)	996 521 165 04	cover seat cushion	01-	2	M 983	(7)	996 521 535 03	foam part backrest frame	00-	2	
	ERZ	black				(7)	996 521 535 05	foam part backrest outer part	02-	2	IXSU
	EEF	graphite grey				(8)	996 521 531 00	foam part		2	
	EGF	savanna				8	996 521 531 01	foam part		2	M 139/340
	EFF	metropole blue				(8)	996 521 537 00	foam part	02-	2	IXSU
	ELA	nephrite green				(8)	996 521 539 00	foam part backrest cushion	02-	2	IXSU/M 342
	ENA	boxster red				(9)	996 521 521 04	foam part	-00	2	
	FEH	cinnamon brown				(9)	996 521 521 05	foam part	-00	2	M 139/340
	VRA	dark grey/natural				(9)	996 521 571 01	foam part	01-	2	
	VRB	brown/natural				(9)	996 521 523 01	foam part seat cushion without heating	02-	2	TARGA 375/376
(4)	996 521 165 05	cover seat cushion	02-	2	IXSU/M 983						
	ERZ	black									
	EEF	graphite grey									

Model	Year	MG	SG	Illustration	Restrictions	Update	13:17	23.08.2006	PORSCHE	PET	PORSCHE
996	05	8	17	817-25		203					

Pos	Part Number	Name	Remarks	Qty	Model	Pos	Part Number	Name	Remarks	Qty	Model
9	996 521 525 01	foam part seat cushion with heating	02-	2	TARGA 375/376 139/342						
(10)	996 521 597 00	clip cushion carrier		8							
(10)	996 521 937 00	clip cushion carrier	01-	10							
11	996 521 509 00	cushion carrier seat cushion front seat	-00	2							
(11)	996 521 505 00	cushion carrier seat cushion front seat	01-	2							
12	999 507 506 40	cable holder 5,0		1	M 539/540						
13	999 651 314 01	cable clamp 3,0 - 4,0		8							
14	996 521 507 01	mat seat cushion cushion carrier	02-	1							
15	996 653 105 01	heating element seat surface	01-	1							
		- - - E N D - - -									

Model	Year	MG	SG	Illustration	Restrictions	Update	13:17	23.08.2006	PORSCHE	PET	PORSCHE
996	05	8	17	817-30		203					

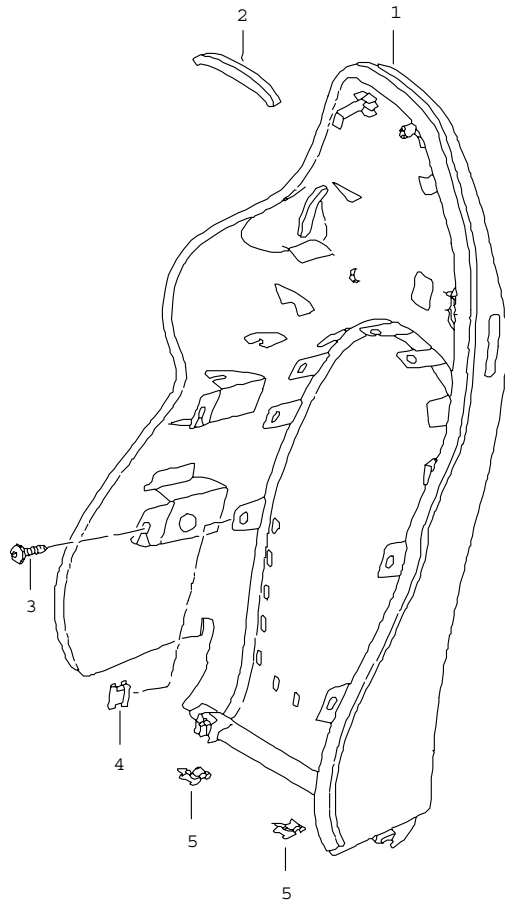


Pos	Part Number	Name	Remarks	Qty	Model
1	996 521 083 02	backrest shell sports seat		2	CARRERA
(1)	996 521 992 02	backrest shell sports seat lacquered black	00-	2	IXSA
	D05	granite grey			
	80K	guards red			
	9A3	biarritz white			
	12G	speed yellow			
	92T	arctic silver metallic			
	746	black-metallic			
	2A2	rainforest green metallic			
	1A9	zanzibar red			
	8A4	orient red metallic			
	6A7	meridian metallic			
	6B5	seal grey metallic			
	3A9	lapis blue metallic			
	92E	polar silver metallic			
	37U	cobalt blue metallic			
	22E	forest green metallic			
	22D	slate grey metallic			
	37W	midnight blue metallic			
	347	dark blue			
	23I	wimbledon green metallic			
	39G	violet metallic			
2	996 521 885 00	foam part		2	
3	996 521 311 00	linkage lever	/L	2	
(3)	996 521 312 00	linkage lever	/R	2	
4	996 521 339 00	deflection roller		4	

Model	Year	MG	SG	Illustration	Restrictions	Update	13:17	23.08.2006	PORSCHE	PET	PORSCHE
996	05	8	17	817-30		203					

Pos	Part Number	Name	Remarks	Qty	Model	Pos	Part Number	Name	Remarks	Qty	Model
5	999 143 009 01	screw backrest shell M 5 X 16		X							
-	900 151 027 02	washer 5,3		4							
6	996 521 385 01	cable		4							
7	N 900 114 02	clamping washer 4		4							
8	999 522 032 00	tension spring 0,7 X 7,5 X 15		4							
9	999 703 474 40	plug 5,4 X 15 X 7,5		4							
(9)	999 703 102 40	plug 4,5 X 6,9 X 11,2	03-	4							
10	999 507 594 01	u-clamp 1,50 - 1,75 mount backrest cover		28							
11	311 881 247	clamp  centre part		4							
-	N 900 151 01	clamping washer 5		2							
13	999 507 596 01	u-clamp 1,00 - 1,50		2							
14	996 521 341 00	relay lever		2							
-	996 521 903 00	repair kit locking lever see technical information GR. 7 BOXSTER NR. 1A/98  - - - E N D - - -		2							

Model	Year	MG	SG	Illustration	Restrictions	Update	13:17	23.08.2006	PORSCHE	PET	PORSCHE
996	05	8	17	817-35		203					

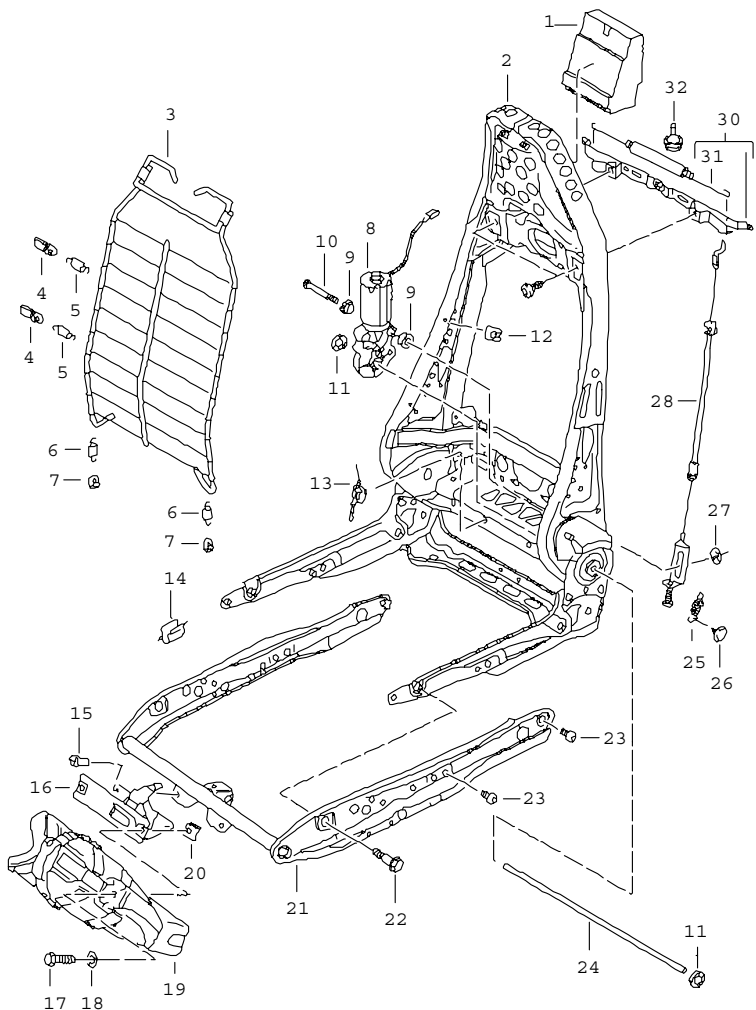


Pos	Part Number	Name	Remarks	Qty	Model
		backrest shell sports seat			CARRERA
1	996 521 083 05	backrest shell lacquered	-00	2	
		D05 granite grey			
(1)	996 521 083 06	backrest shell lacquered	-01	2	
		A03 black			
		C53 graphite grey			
		S33 savanna			
		G13 metropole blue			
		B13 space grey			
		M33 boxer red			
		J33 nephrite green			
		P13 cinnamon brown			
(1)	986 521 303 11	backrest shell sports seat	01-	1	
		A03 black			
		C53 graphite grey			
		S33 savanna			
		G13 metropole blue			
		J33 nephrite green			
		M33 boxer red			
		P13 cinnamon brown			
(1)	996 521 992 02	backrest shell sports seat lacquered	00-	2	M 375/376 IXSA
		80K guards red			
		747 black			
		9A3 biarritz white			
		12G speed yellow			
		92T arctic silver metallic			



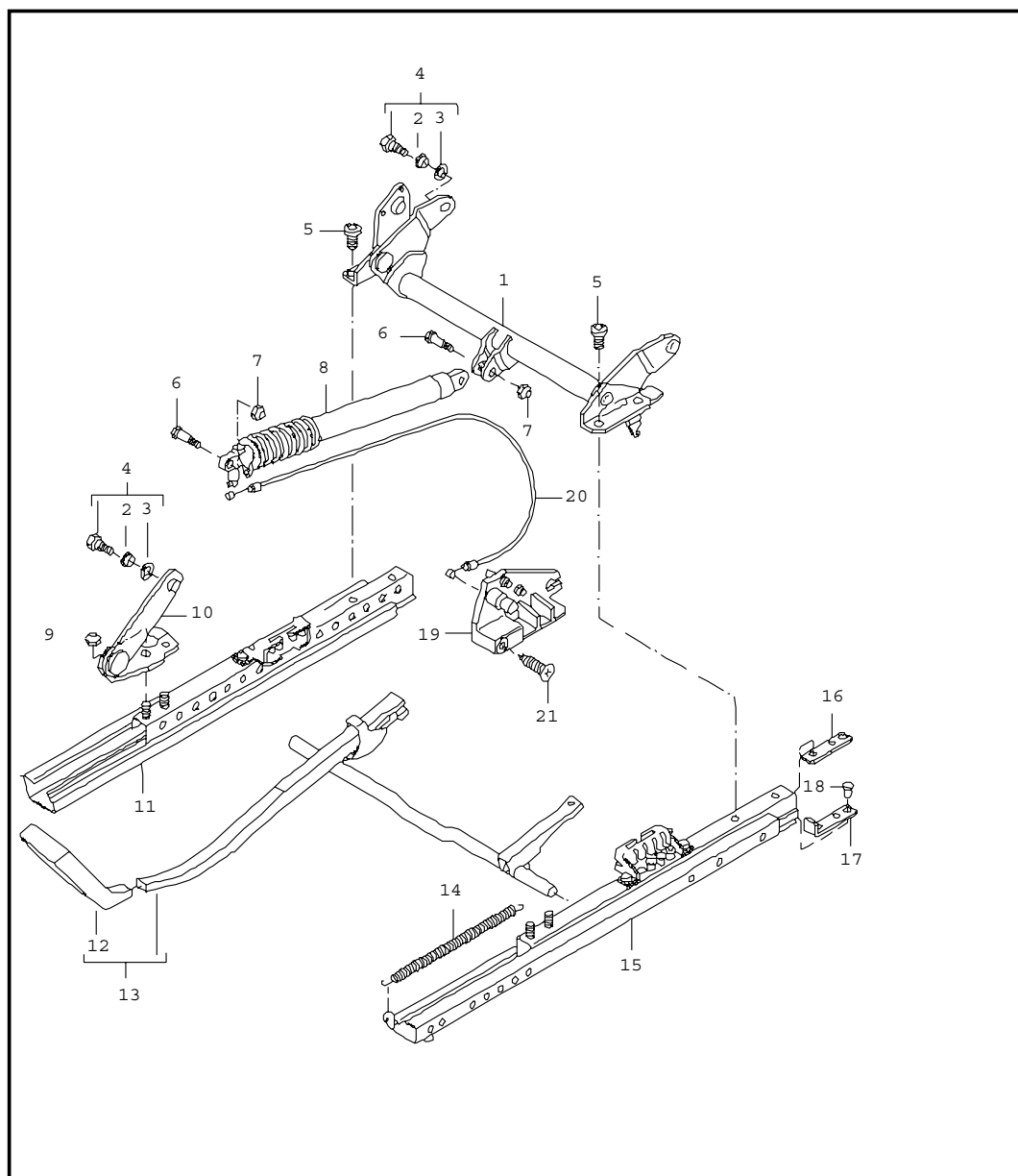


Model	Year	MG	SG	Illustration	Restrictions	Update	13:18	23.08.2006	PORSCHE	PET	PORSCHE
996	05	8	17	817-40		203					



Pos	Part Number	Name	Remarks	Qty	Model
		backrest frame seat frame sports seat			CARRERA
1	996 521 883 00	foam part backrest frame		2	
2	996 521 329 00	backrest frame	-99	2	
(2)	996 521 329 01	backrest frame	00-	2	
3	996 521 355 01	mat		2	
4	996 521 367 00	support spring centre		8	
5	996 521 333 00	spring centre		8	
6	996 521 331 01	spring lower		4	
7	996 521 365 00	support spring lower		4	
8	996 624 321 00	engine for backrest adjustment		2	
9	999 924 129 40	bush 6 X 12 X 4,5		4	
10	999 073 141 02	oval-head screw M 6 X 42,5		2	
11	999 507 597 01	clamping washer 10,0		4	
12	999 507 598 02	speed nut M 5		8	
13	999 513 063 40	cable holder 12,0 - 35		4	
		- - - E N D - - -			

Model	Year	MG	SG	Illustration	Restrictions	Update	13:18	23.08.2006	PORSCHE	PET	PORSCHE
996	05	8	17	817-45		203					

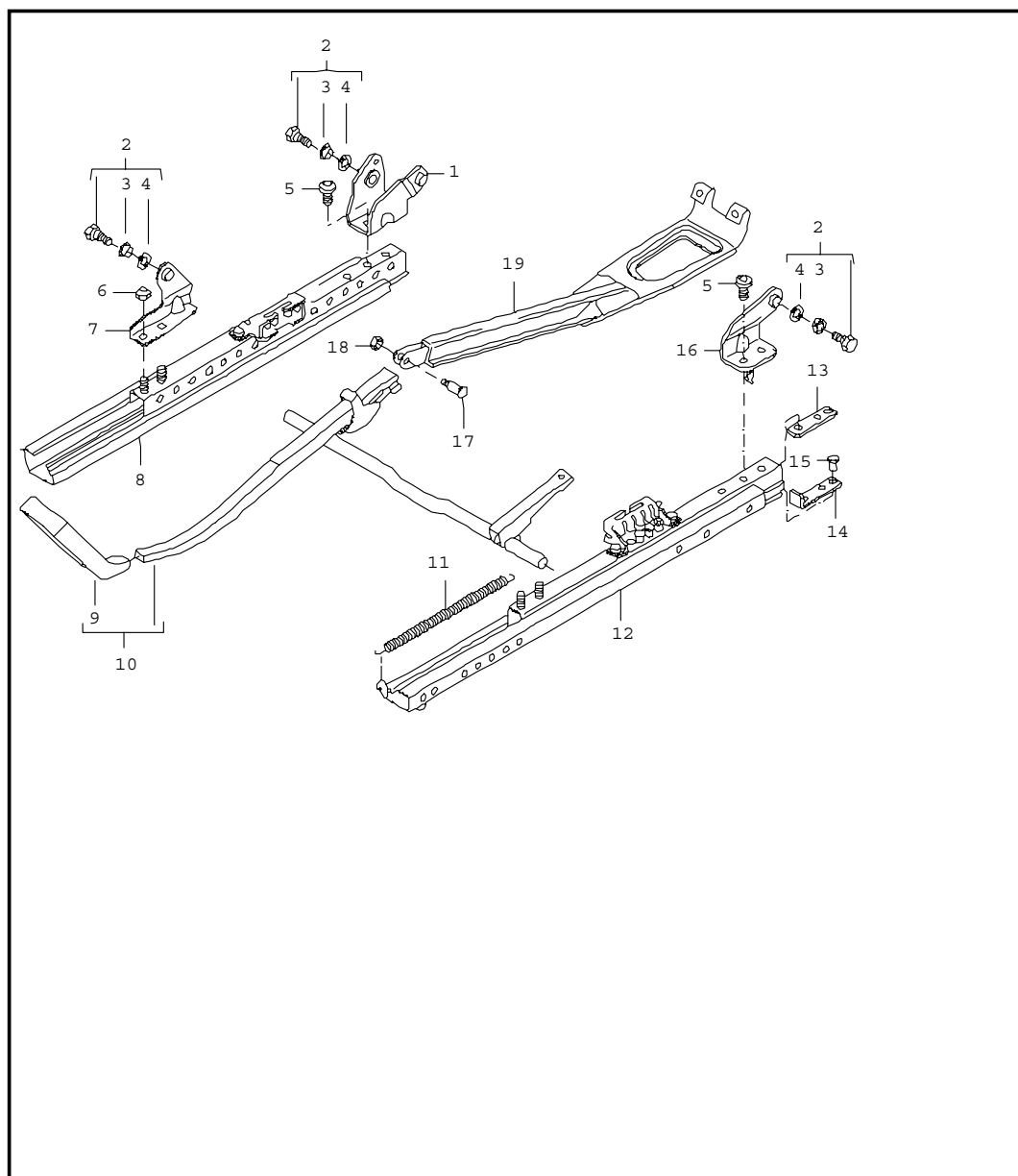


Pos	Part Number	Name	Remarks	Qty	Model
		seat adjuster sports seat with height adjustment			CARRERA
1	996 521 641 00	pipe rear	/L	1	
(1)	996 521 642 00	pipe rear	/R	1	
3	999 209 051 00	spacer sleeve		2	
4	996 521 259 02	screw complete	/H	4	M 539/540
(4)	996 521 681 00	pin seat frame	/V	8	
5	986 521 659 00	screw adapter		8	
6	999 311 008 01	square screw gas-filled strut M 5 X 23,6		2	
7	986 521 687 00	nut gas-filled strut		2	
8	996 521 615 01	gas-filled strut		1	M 539/540
9	900 910 003 07	hexagon nut adapter M 8		8	
(10)	986 521 679 00	adapter seat frame front	/L	2	
10	986 521 680 00	adapter seat frame front	/R	2	
11	996 521 692 01	seat rail inner	/R	1	M 369/375
(11)	996 521 691 01	seat rail inner	/L	1	M 370/376
12	996 521 617 01	handle	/L	1	M 369/375
(12)	996 521 618 01	handle	/R	1	M 370/376
13	996 521 621 01	lever complete	/L	1	M 369/375
(13)	996 521 622 01	lever complete	/R	1	M 370/376

Model	Year	MG	SG	Illustration	Restrictions	Update	13:18	23.08.2006	PORSCHE	PET	PORSCHE
996	05	8	17	817-45		203					

Pos	Part Number	Name	Remarks	Qty	Model	Pos	Part Number	Name	Remarks	Qty	Model
14	996 521 645 00	clutch power spring		2							
15	996 521 689 01	seat rail outer	/L	1	M 369/375						
(15)	996 521 690 01	seat rail outer	/R	1	M 370/376						
16	986 521 643 00	threaded plate		4							
(17)	996 521 603 01	stop		4							
18	996 521 601 00	fixing clip stop		4							
19	996 521 675 00	adjusting mechanism	/L	1	M 539						
(19)	996 521 676 00	adjusting mechanism	/R	1	M 540						
20	986 521 683 00	bowden cable		2	M 539/540						
21	999 919 195 07	countersunk-head screw	-00	2							
(21)	999 919 199 09	countersunk-head screw M 5 X 18	01-	2							
		- - - E N D - - -									

Model	Year	MG	SG	Illustration	Restrictions	Update	13:18	23.08.2006	PORSCHE	PET	PORSCHE
996	05	8	17	817-50		203					

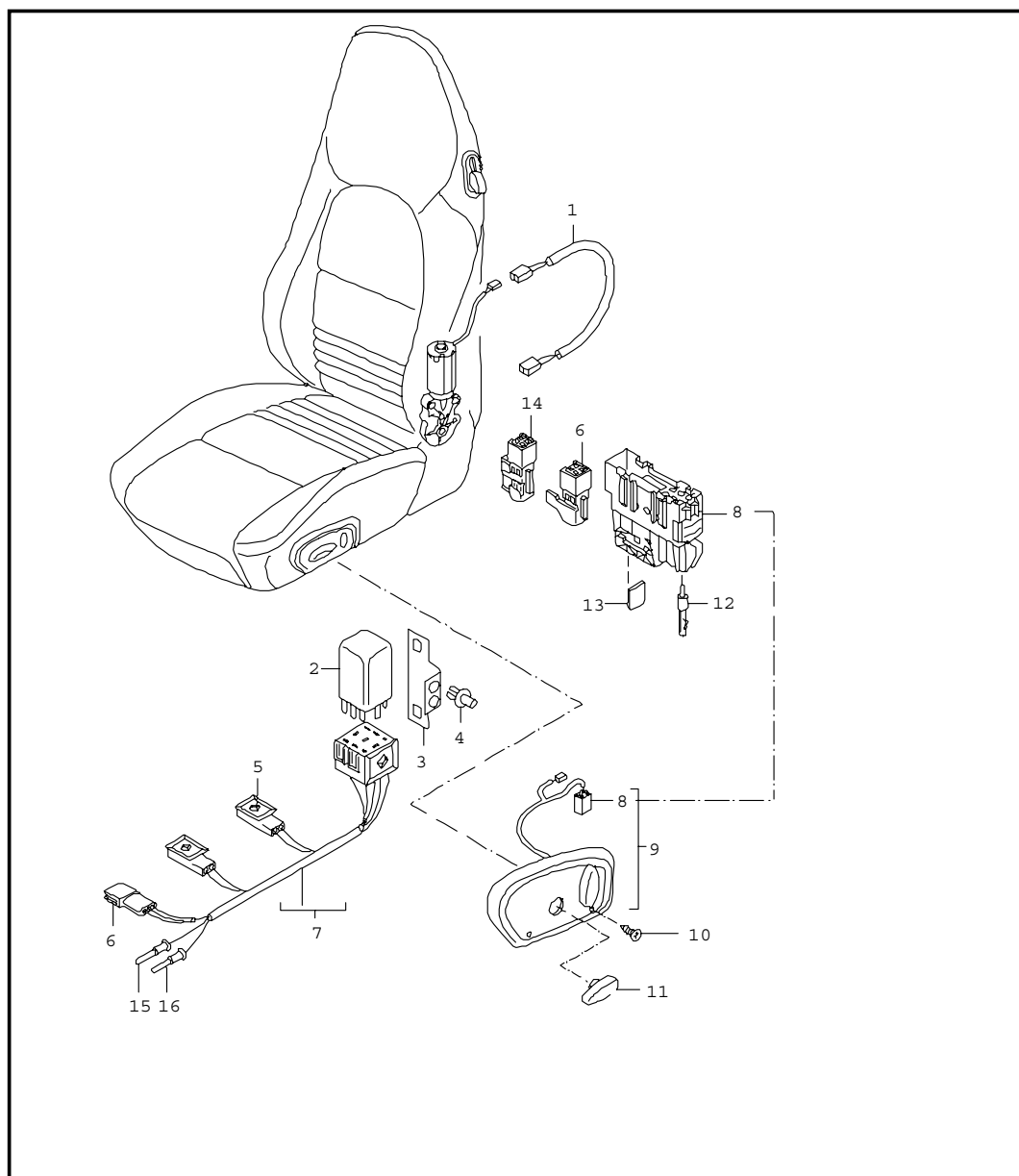


Pos	Part Number	Name	Remarks	Qty	Model
		seat adjuster sports seat without height adjustment			CARRERA
(1)	986 521 639 00	adapter seat-belt buckle seat frame inner rear	/L	1	
1	986 521 640 00	adapter seat-belt buckle seat frame inner rear	/R	1	
2	996 521 259 02	screw complete		8	
3	999 924 156 00	bush 12 X 14 X 6,5		4	
4	999 209 051 00	spacer sleeve		2	
5	986 521 659 00	screw		8	
6	900 910 003 07	hexagon nut adapter M 8		8	
(7)	986 521 679 00	adapter	/L	2	
7	986 521 680 00	adapter seat frame front	/R	2	
8	996 521 692 01	seat rail inner	/R	1	M 369/375
(8)	996 521 691 01	seat rail inner	/L	1	M 370/376
9	996 521 617 01	handle	/L	1	M 369/375
(9)	996 521 618 01	handle	/R	1	M 370/376
10	996 521 621 01	lever complete	/L	1	M 369/375
(10)	996 521 622 01	lever complete	/R	1	M 370/376
11	996 521 645 00	clutch power spring		2	
12	996 521 689 01	seat rail outer	/L	1	M 369/375
(12)	996 521 690 01	seat rail outer	/R	1	M 370/376

Model	Year	MG	SG	Illustration	Restrictions	Update	13:18	23.08.2006	PORSCHE	PET	PORSCHE
996	05	8	17	817-50		203					

Pos	Part Number	Name	Remarks	Qty	Model	Pos	Part Number	Name	Remarks	Qty	Model
13	986 521 643 00	threaded plate		4							
14	996 521 603 01	stop		4							
15	996 521 601 00	fixing clip stop		4							
16	986 521 691 00	adapter seat frame rear outer	/L	1							
(16)	986 521 690 00	adapter seat frame rear outer	/R	1							
17	999 311 008 01	square screw M 5 X 23,6		1							
18	986 521 687 00	nut		1							
19	986 521 667 00	seat adjuster guard		1							
21	996 521 665 00	stop telephone inner		1	M 614/618 M 540/663						
		- - - E N D - - -									

Model	Year	MG	SG	Illustration	Restrictions	Update	13:18	23.08.2006	PORSCHE	PET	PORSCHE
996	05	8	17	817-60		203					



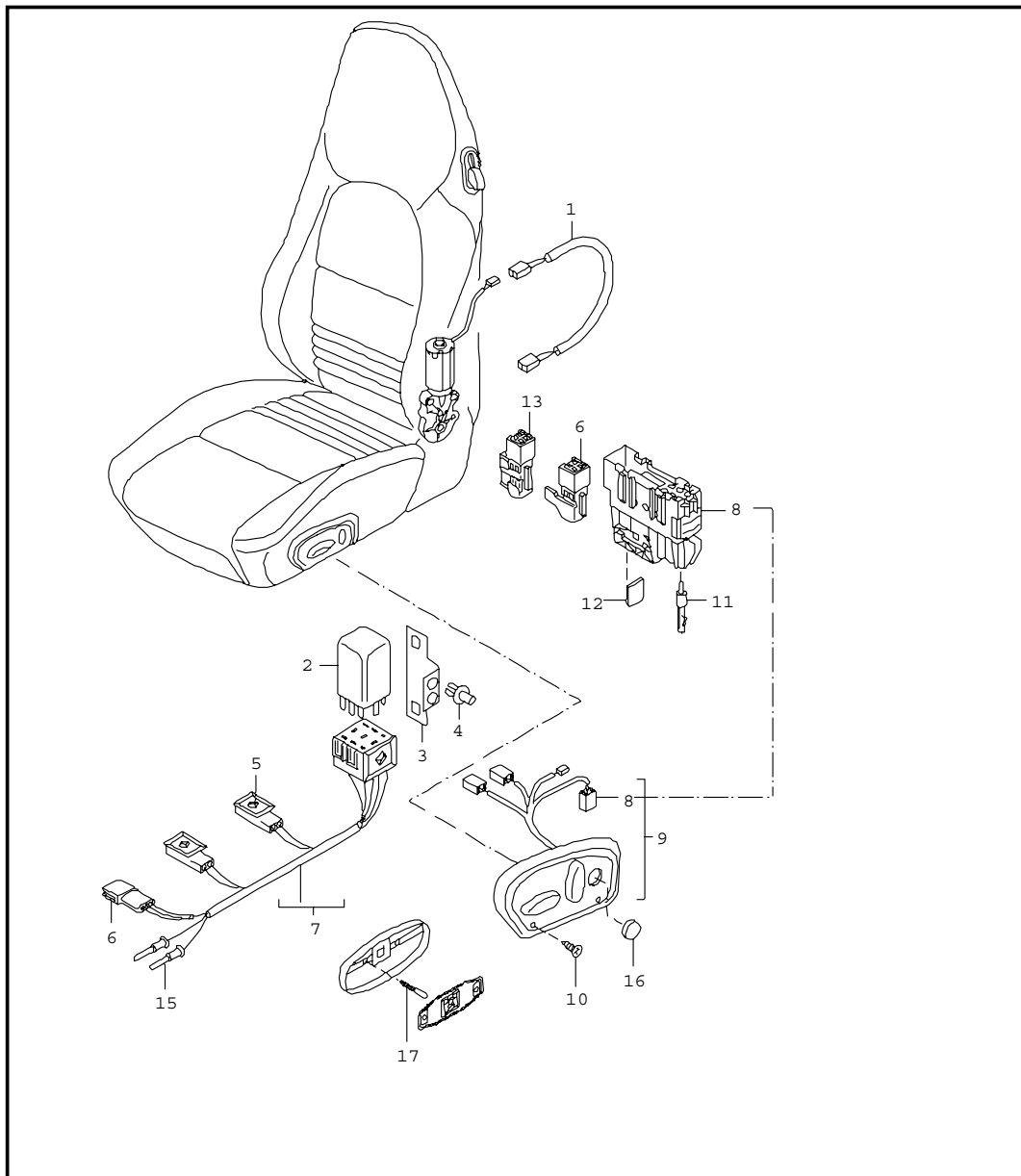
Pos	Part Number	Name	Remarks	Qty	Model
		harness switch series seat sports seat			CARRERA
1	996 612 543 00	harness for backrest adjustment		2	
2	996 618 521 00	control unit seat heater		2	M 342
3	996 618 531 00	support control unit		2	M 342
4	999 591 712 40	expansion rivet 6,0 X 12,0	-02	2	
(4)	900 143 191 02	tapping screw support	02-	4	
5	999 507 407 40	clip		X	
6	999 650 216 40	connector 4-pole		1	
7	996 612 540 01	harness seat heater		2	M 342
8	999 650 180 40	connector 6-pole		2	M 537/538
9	996 613 713 01	switch complete with handle for backrest adjustment	/L	1	M 369/375
	EJM	granite grey	-99		
	A03	black	00-		
	C53	graphite grey	00-		
	S33	savanna	00-		
	G13	metropole blue	00-		
	J33	nephrite green	00-		
	M33	boxster red	00-		
	B13	space grey	00		
	P13	cinnamon brown	01-		

Model	Year	MG	SG	Illustration	Restrictions	Update	13:18	23.08.2006	PORSCHE	PET	PORSCHE
996	05	8	17	817-60		203					

Pos	Part Number	Name	Remarks	Qty	Model	Pos	Part Number	Name	Remarks	Qty	Model
(9)	996 613 714 01	switch complete with handle for backrest adjustment	/R	1	M 370/376		G10	metropole blue	98-		
	EJM	granite grey	-99				B50	space grey	98-		
	A03	black	00-				J30	nephrite green	98-		
	C53	graphite grey	00-				M30	boxster red	98-		
	S33	savanna	00-				VRJ	black	00-		
	G13	metropole blue	00-				D11	dark grey/natural	00-		
	J33	nephrite green	00-				T11	brown/natural	00-		
	M33	boxster red	00-				P11	cinnamon brown	01-		
	B13	space grey	00			10	999 919 173 02	countersunk-head screw 3,0 X 18		4	
	P13	cinnamon brown	01-			11	986 521 627 00	handle height adjustment	/L	1	M 539
(9)	986 613 980 00	switch	/L	1	IXSD	(11)	986 521 628 00	handle height adjustment	/R	1	M 540
	S30	savanna	98-			12	999 650 225 40	pin 2,5		2	
	8YR	black	-00			13	999 652 960 40	cover		2	
	C50	graphite grey	98-			14	999 650 218 40	connector 4-pole		2	
	G10	metropole blue	98-			15	999 650 216 40	connector 4-pole		2	
	B50	space grey	98-			16	999 652 571 22	connector 1.0 - 2.5 QMM		X	
	J30	nephrite green	98-					- - - E N D - - -			
	M30	boxster red	98-								
	VRJ	black	00-								
	D11	dark grey/natural	00-								
	T11	brown/natural	00-								
	P11	cinnamon brown	01-								
(9)	986 613 981 00	switch series seat sports seat	/R	1	IXSD						
	S30	savanna	98-								
	8YR	black	-00								
	C50	graphite grey	98-								



Model	Year	MG	SG	Illustration	Restrictions	Update	13:19	23.08.2006	PORSCHE	PET	PORSCHE
996	05	8	17	817-65		203					



Pos	Part Number	Name	Remarks	Qty	Model
		harnesses switch comfort seat			CARRERA
1	996 612 543 00	harness		2	
(1)	996 612 544 00	harness for backrest adjustment		2	M 537/538
2	996 618 521 00	control unit seat heater		2	M 342
3	996 618 531 00	support control unit		2	M 342
4	999 591 712 40	expansion rivet 6,0 X 12,0	-02	2	
(4)	900 143 191 02	tapping screw support	02-	4	
5	999 507 407 40	clip		X	
6	999 650 216 40	connector 4-pole black		1	
7	996 612 540 01	harness seat heater		2	
8	999 650 180 40	connector 6-pole harness passenger compartment		2	M 537/538
9	996 613 715 01	switch comfort seat	/RL/L	1	M 437
	P13	cinnamon brown	00-		
	EJM	granite grey	98-		
	A03	black	00-		
	C53	graphite grey	00-		
	S33	savanna	00-		
	G13	metropole blue	00-		
	B13	space grey	00-		
	J33	nephrite green	00-		
	M33	boxster red	00-		

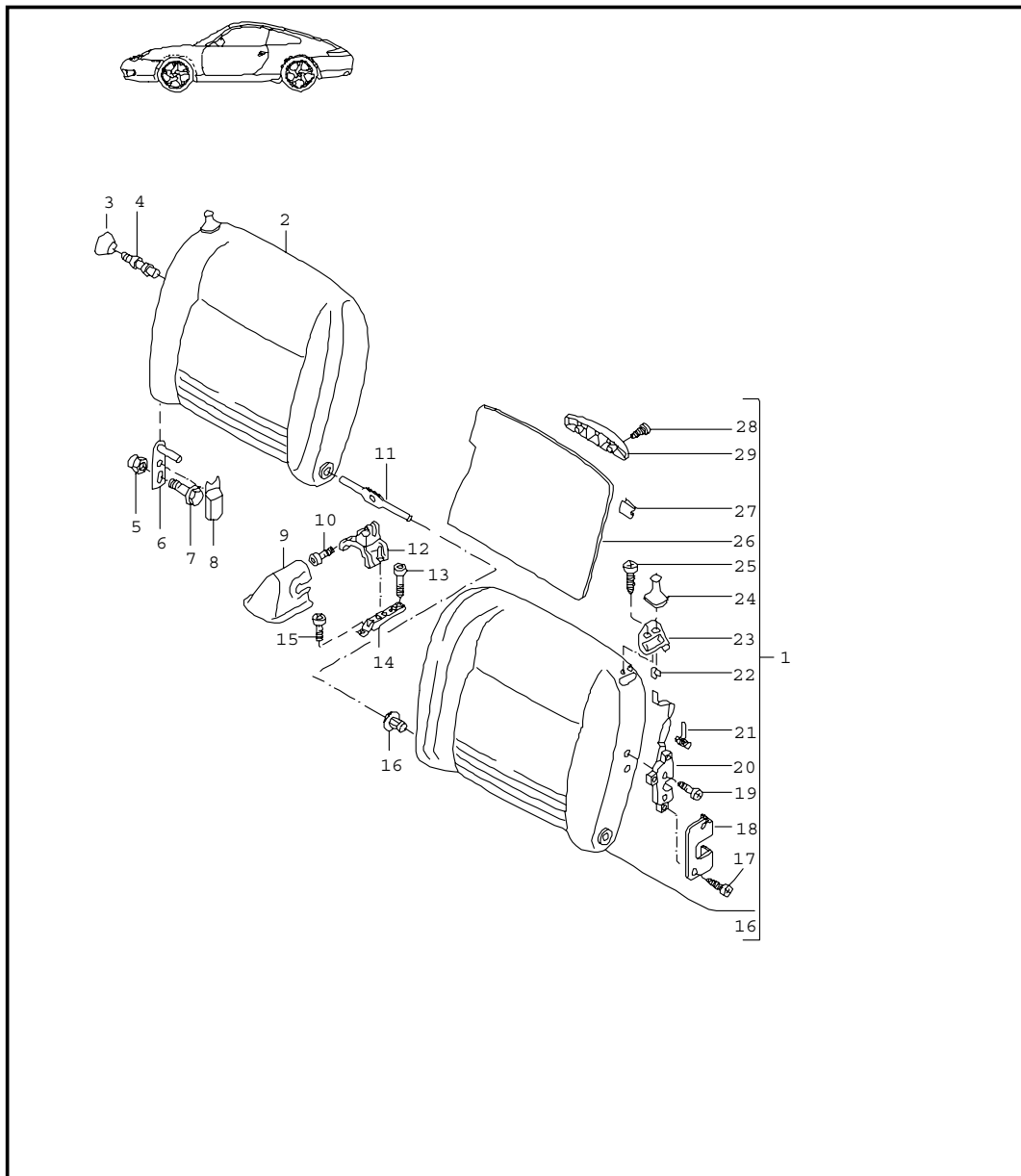
Model	Year	MG	SG	Illustration	Restrictions	Update	13:19	23.08.2006	PORSCHE	PET	PORSCHE
996	05	8	17	817-65		203					

Pos	Part Number	Name	Remarks	Qty	Model	Pos	Part Number	Name	Remarks	Qty	Model
(9)	996 613 716 01	switch comfort seat complete	/LL/R	1	M 438	(9)	996 613 720 01	switch comfort seat seating position control complete	/RL/R	1	M 438/538
	A03	black	00-				A03	black			
	C53	graphite grey	00-			(9)	996 613 721 01	switch	/LL/L99-	1	M 437/537
	S33	savanna	00-				A03	black			M 586
	G13	metropole blue	00-				C53	graphite grey			
	B13	space grey	00-				G13	metropole blue			
	J33	nephrite green	00-				J33	nephrite green			
	M33	boxster red	00-				M33	boxster red			
	P13	cinnamon brown	01-				S33	savanna			
(9)	996 613 717 01	switch comfort seat lumbar support complete	/RL/L	1	M 437/586	(9)	996 613 722 01	switch comfort seat seating position control lumbar support complete	/RL/R	1	M 438/513 M 538
	EJM	granite grey	99				EJM	granite grey	-99		
	A03	black	00-				A03	black	00-		
(9)	996 613 718 01	switch comfort seat lumbar support complete	/LL/R	1	M 438/513		C53	graphite grey	00-		
	EJM	granite grey	99				S33	savanna	00-		
	A03	black	00-				G13	metropole blue	00-		
(9)	996 613 719 01	switch	/LL/L	1	M 437/537		J33	nephrite green	00-		
	A03	black	00-				M33	boxster red	00-		
	C53	graphite grey	00-				B13	space grey	00		
	S33	savanna	00-				P13	cinnamon brown	01-		
	G13	metropole blue	00-			-	986 521 627 00	handle for height adjustment	/L	1	
	B13	space grey	00			-	986 521 628 00	handle for height adjustment	/R	1	
	J33	nephrite green	00-			10	999 919 173 02	countersunk-head screw 3,0 X 18		4	
	M33	boxster red	00-								
	EJM	granite grey	00-								
	P13	cinnamon brown									

Model	Year	MG	SG	Illustration	Restrictions	Update	13:19	23.08.2006	PORSCHE	PET	PORSCHE
996	05	8	17	817-65		203					

Pos	Part Number	Name	Remarks	Qty	Model	Pos	Part Number	Name	Remarks	Qty	Model
11	999 650 225 40	pin 2,5		2							
12	999 652 960 40	cover		2							
13	999 650 218 40	connector 4-pole white		2	M 139/340 M 342						
15	999 652 571 22	connector 1.0 - 2.5 QMM		X	M 439						
16	996 521 327 00	cover lumbar support		X	M 437/438						
17	996 613 955 00	control button seat adjuster repair kit	02-	1	M 437/438						
		- - - E N D - - -									

Model	Year	MG	SG	Illustration	Restrictions	Update	13:19	23.08.2006	PORSCHE	PET	PORSCHE
996	05	8	17	817-70		203					



Pos	Part Number	Name	Remarks	Qty	Model
1	996 522 011 01	back seat backrest back seat backrest leatherette/carpet	/L -01	1	M 685/937
	A10	black/black	-99		
	B50	space grey/space grey	-99		
	C50	graphite grey/graphite gr.	-99		
	G10	metropole bl./metrop. blue	-99		
	S30	savanna/savanna	-99		
	C52	graphite grey/graphite gr.	00-		
	S32	savanna/savanna	00-		
	G12	metropole bl./metrop. blue	00-		
	EVJ	black	00-		
1	996 522 012 01	back seat backrest back seat backrest leatherette/carpet	/R -01	1	M 685/937
	A10	black/black	-99		
	B50	space grey/space grey	-99		
	C50	graphite grey/graphite gr.	-99		
	G10	metropole bl./metrop. blue	-99		
	S30	savanna/savanna	-99		
	C52	graphite grey/graphite gr.	00-		
	S32	savanna/savanna	00-		
	G12	metropole bl./metrop. blue	00-		
	EVJ	black	00-		
(1)	996 522 011 10	back seat backrest back seat backrest leatherette	/L 02-	1	M 685/937
	EVJ	black			
	C52	graphite grey			
	S32	savanna			
	G12	metropole blue			
	J32	nephrite green			

Model	Year	MG	SG	Illustration	Restrictions	Update	13:19	23.08.2006	PORSCHE	PET	PORSCHE
996	05	8	17	817-70		203					

Pos	Part Number	Name	Remarks	Qty	Model	Pos	Part Number	Name	Remarks	Qty	Model
(1)	996 522 012 10	back seat backrest leatherette	/R 02-	1	M 685/937		EVK	black			
	EVJ	black					C50	graphite grey			
	C52	graphite grey					S30	savanna			
	S32	savanna					G10	metropole blue			
	G12	metropole blue					J30	nephrite green			
	J32	nephrite green					M30	boxster red			
(1)	996 522 011 02	back seat backrest leather	/L -01	1	M 685/936		P11	cinnamon brown			
	EVK	black					D11	dark grey/natural			
	C50	graphite grey				(1)	996 522 012 11	back seat backrest leather	/R 02-	1	M 685/936
	S30	savanna					EVK	black			
	G10	metropole blue					C50	graphite grey			
	J30	nephrite green					S30	savanna			
	M30	boxster red					G10	metropole blue			
	P11	cinnamon brown					J30	nephrite green			
	D11	dark grey/natural					M30	boxster red			
	T11	brown/natural					P11	cinnamon brown			
(1)	996 522 012 02	back seat backrest leather	/R -01	1	M 685/936		D11	dark grey/natural			
	EVK	black					T11	brown/natural			
	C50	graphite grey				(1)	996 522 011 03	back seat backrest draped leather carpet	/L -02	1	M 685/939
	S30	savanna					8YR	black/black	-99		
	G10	metropole blue					B50	space grey/space grey	98-		
	J30	nephrite green					C50	graphite grey/graphite gr.	98-		
	M30	boxster red					G10	metropole bl./metrop. blue	98-		
	P11	cinnamon brown					S30	savanna/savanna	98-		
	D11	dark grey/natural					J30	nephrite gr./neph. green	98-		
	T11	brown/natural					M30	boxster red/boxster red	98-		
(1)	996 522 011 11	back seat backrest leather	/L 02-	1	M 685/936		EVK	black/black	00-		

Model	Year	MG	SG	Illustration	Restrictions	Update	13:19	23.08.2006	PORSCHE	PET	PORSCHE
996	05	8	17	817-70		203					

Pos	Part Number	Name	Remarks	Qty	Model	Pos	Part Number	Name	Remarks	Qty	Model
	D11	dark grey/natural	00-				C50	graphite grey			
	T11	brown/natural					S30	savanna			
	P11	cinnamon brown					G10	metropole blue			
(1)	996 522 012 03	back seat backrest draped leather carpet	/R -02	1	M 685/939		J30	nephrite green			
	8YR	black/black	-99				M30	boxster red			
	B50	space grey/space grey	98-				P11	cinnamon brown			
	C50	graphite grey/graphite gr.	98-				D11	dark grey/natural			
	G10	metropole bl./metrop. blue	98-			(1)	996 522 011 16	back seat backrest leather	04-	1	M 095/936
	S30	savanna/savanna	98-				VTG	dark grey/natural			
	J30	nephrite gr./nephr. green	98-			(1)	996 522 012 16	back seat backrest special model leather	04-	1	M 095/936
	M30	boxster red/boxster red	98-				VTG	dark grey/natural			
	EVK	black/black	00-			2	996 522 221 01	cover back seat backrest	98-	1	M 685/937
	D11	dark grey/natural	00-				A10	black			
	T11	brown/natural					C50	graphite grey			
(1)	996 522 011 12	back seat backrest draped leather	/L 02-	1	M 685/939		S30	savanna			
	EVK	black					G10	metropole blue			
	C50	graphite grey					B50	space grey			
	S30	savanna				(2)	996 522 221 02	cover back seat backrest	-01	1	M 685/936
	G10	metropole blue					8YR	black			
	J30	nephrite green					C50	graphite grey			
	M30	boxster red					S30	savanna			
	P11	cinnamon brown					G10	metropole blue			
	D11	dark grey/natural					B50	space grey			
	T11	brown/natural					J30	nephrite green			
(1)	996 522 012 12	back seat backrest draped leather	/R 02-	1	M 685/939		M30	boxster red			
	EVK	black									

Model	Year	MG	SG	Illustration	Restrictions	Update	13:19	23.08.2006	PORSCHE	PET	PORSCHE
996	05	8	17	817-70		203					

Pos	Part Number	Name	Remarks	Qty	Model	Pos	Part Number	Name	Remarks	Qty	Model
(2)	996 522 221 06	cover back seat backrest	02-	1	M 685/936		8YR	black			
	ETO	black					C50	graphite grey			
	C50	graphite grey					S30	savanna			
	S30	savanna					B50	space grey			
	G10	metropole blue					J30	nephrite green			
	J30	nephrite green					M30	boxster red			
	M30	boxster red					G10	metropole blue			
	P11	cinnamon brown				(2)	996 522 222 06	cover back seat backrest	02-	1	M 685/936
	D11	dark grey/natural					ETO	black			
	T11	brown/natural					C50	graphite grey			
(2)	996 522 221 07	cover back seat backrest	02-	1	M 685/939		S30	savanna			
	ETO	black					G10	metropole blue			
	C50	graphite grey					J30	nephrite green			
	S30	savanna					M30	boxster red			
	G10	metropole blue					P11	cinnamon brown			
	J30	nephrite green					D11	dark grey/natural			
	M30	boxster red					T11	brown/natural			
	P11	cinnamon brown				(2)	996 522 222 07	cover back seat backrest	02-	1	M 685/939
	D11	dark grey/natural					ETO	black			
	T11	brown/natural					C50	graphite grey			
(2)	996 522 222 01	cover back seat backrest	-01	2	M 685/937		S30	savanna			
	A10	black					G10	metropole blue			
	C50	graphite grey					J30	nephrite green			
	S30	savanna					M30	boxster red			
	G10	metropole blue					P11	cinnamon brown			
	B50	space grey					D11	dark grey/natural			
	T11	brown/natural					T11	brown/natural			
(2)	996 522 222 02	cover backrest back seat backrest	-02	1	M 685/936	3	996 522 097 02	rose bolt	-99	2	

Model	Year	MG	SG	Illustration	Restrictions	Update	13:19	23.08.2006	PORSCHE	PET	PORSCHE
996	05	8	17	817-70		203					

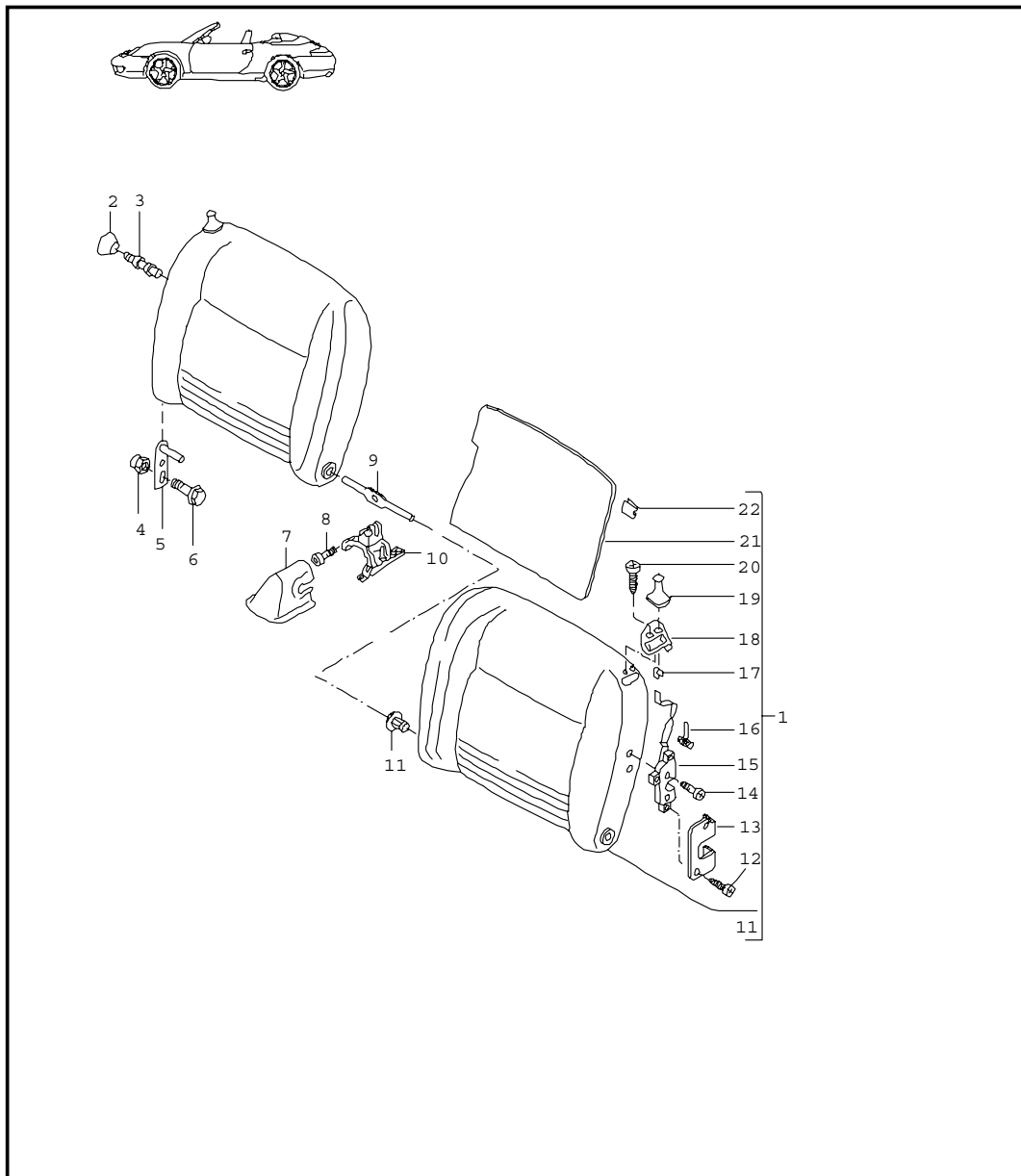
Pos	Part Number	Name	Remarks	Qty	Model	Pos	Part Number	Name	Remarks	Qty	Model
	01C	satin black				15	999 073 151 09	oval-head screw M 6 X 12	/V	2	
(3)	996 522 097 04	rose bolt	-02	2		16	996 522 571 00	protection washer		1	
	01C	satin black					01C	satin black			
(3)	996 522 097 06	rose bolt	-03	2		17	999 073 049 02	tapping screw ST 3,5 X 16		4	
	01C	satin black				18	996 522 771 00	cover	/L	1	
(3)	996 522 097 08	rose bolt	03-	2			01C	satin black			
	01C	satin black				(18)	996 522 772 00	cover	/R	1	
(3)	996 522 097 07	rose bolt	04-	2	TARGA		01C	satin black			
	01C	satin black				19	900 269 028 02	countersunk-head screw M 8 X 30		4	
(4) A	996 522 267 04	bolt	-01	2		20 A	996 522 281 01	lock	/L	1	
(4)	996 522 267 06	bolt	02-	2		(20) A	996 522 282 01	lock	/R	1	
5	996 522 271 00	bush		2		(20)	996 522 281 02	lock	/L	1	
6	996 522 211 01	bearing outer		2		(20)	996 522 282 02	lock	/R	1	
7	999 073 138 09	screw M 8 X 25		2		21	996 522 653 00	spring		2	
8	996 522 425 01	cover		1		22	999 507 630 01	clamp 2,0		2	
	01C	satin black				23	996 522 315 00	rose	/L	1	
9	996 522 431 02	cover		1			01C	satin black			
	01C	satin black				(23)	996 522 316 00	rose	/R	1	
(10)	N 044 734 1	pan-head screw M 5 X 16		1			01C	satin black			
(11) U	996 522 615 00	shaft	-02	1		24	996 522 321 00	actuating lever	/L -98	1	
11	996 522 615 01	shaft	02-	1			01C	satin black			
12	996 522 333 00	bracket bearing centre		1		(24)	996 522 321 01	actuating lever	/L 99-	1	
13	999 073 188 09	oval-head screw M 6 X 25	/H	2			01C	satin black			
14	996 522 261 00	bearing bracket centre		2		(24)	996 522 322 00	actuating lever	/R -98	1	
							01C	satin black			
						(24)	996 522 322 01	actuating lever	/R 99-	1	
							01C	satin black			



Model	Year	MG	SG	Illustration	Restrictions	Update	13:19	23.08.2006	PORSCHE	PET	PORSCHE
996	05	8	17	817-70		203					

Pos	Part Number	Name	Remarks	Qty	Model	Pos	Part Number	Name	Remarks	Qty	Model
25	900 145 041 07	tapping screw B 3,5 X 16		4		(29)	996 522 421 00	stop	01-	2	
26	996 522 173 00	carpet fine tuft velour	/L	1			01C	satin black			
	A10	black	98-								
	B50	space grey	98-								
	C50	graphite grey	98-								
	G10	metropole blue	98-								
	S30	savanna	98-								
	J30	nephrite green	98-								
	M30	boxster red	98-								
	D11	dark grey/natural	00-								
	T11	brown/natural	00-								
	P11	cinnamon brown	01-								
(26)	996 522 174 00	carpet fine tuft velour	/R	1							
	A10	black	98-								
	B50	space grey	98-								
	C50	graphite grey	98-								
	G10	metropole blue	98-								
	S30	savanna	98-								
	J30	nephrite green	98-								
	M30	boxster red	98-								
	D11	dark grey/natural	00-								
	T11	brown/natural	00-								
	P11	cinnamon brown	01-								
27	999 507 593 01	u-clamp 1,25 - 1,50		X							
28	999 073 050 02	tapping screw 3,5 X 19		4							
29	993 522 421 00	stop	-01	2							
	01C	satin black									

Model	Year	MG	SG	Illustration	Restrictions	Update	13:19	23.08.2006	PORSCHE	PET	PORSCHE
996	05	8	17	817-75		203					



Pos	Part Number	Name	Remarks	Qty	Model
		back seat backrest			CARRERA CABRIO
1	996 522 011 05	back seat backrest leatherette/carpet	/L -01	1	M 937
	A10	black/black	-99		
	B50	space grey/space grey	-99		
	C50	graphite grey/graphite gr.	-99		
	G10	metropole bl./metrop. blue	-99		
	S30	savanna/savanna	-99		
	C52	graphite grey/graphite gr.	00-		
	S32	savanna/savanna	00-		
	G12	metropole bl./metrop. blue	00-		
(1)	996 522 012 05	back seat backrest leatherette/carpet	/R -01	1	M 937
	A10	black/black	-99		
	B50	space grey/space grey	-99		
	C50	graphite grey/graphite gr.	-99		
	G10	metropole bl./metrop. blue	-99		
	S30	savanna/savanna	-99		
	C52	graphite grey/graphite gr.	00-		
	S32	savanna/savanna	00-		
	G12	metropole bl./metrop. blue	00-		
(1)	996 522 011 13	back seat backrest leatherette	/L 02-	1	M 937
	EVJ	black			
	C52	graphite grey			
	S32	savanna			
	G12	metropole blue			
	J32	nephrite green			
(1)	996 522 012 13	back seat backrest leatherette	/R 02-	1	M 937
	EVJ	black			

Model	Year	MG	SG	Illustration	Restrictions	Update	13:19	23.08.2006	PORSCHE	PET	PORSCHE
996	05	8	17	817-75		203					

Pos	Part Number	Name	Remarks	Qty	Model	Pos	Part Number	Name	Remarks	Qty	Model
	C52	graphite grey					P11	cinnamon brown			
	S32	savanna					D11	dark grey/natural			
	G12	metropole blue				(1)	996 522 011 14	back seat backrest	/L 02-	1	M 936
	J32	nephrite green					EVK	black			
(1)	996 522 011 06	back seat backrest leather/carpet	/L -01	1	M 936		C50	graphite grey			
	B50	space grey					S30	savanna			
	C50	graphite grey					G10	metropole blue			
	D11	dark grey					J30	nephrite green			
	EVK	black					M30	boxster red			
	G10	metropole blue					P11	cinnamon brown			
	J30	nephrite green					D11	dark grey/natural			
	M30	boxster red				(1)	996 522 012 14	back seat backrest leather	/R 02-	1	M 936
	S30	savanna					T11	brown/natural			
	T11	brown/natural					EVK	black			
	8YR	black					C50	graphite grey			
	P11	cinnamon brown					S30	savanna			
(1)	996 522 012 06	back seat backrest leather/carpet	/R -01	1	M 936		G10	metropole blue			
	B50	space grey					J30	nephrite green			
	C50	graphite grey					M30	boxster red			
	D11	dark grey					P11	cinnamon brown			
	EVK	black					D11	dark grey/natural			
	G10	metropole blue				(1)	996 522 011 07	back seat backrest draped leather	/L -01	1	M 939
	J30	nephrite green					8YR	black/black	-99		
	M30	boxster red					B50	space grey/space grey	98-		
	S30	savanna					C50	graphite grey/graphite gr.	98-		
	T11	brown/natural					G10	metropole bl./metrop. blue	98-		
	8YR	black					S30	savanna/savanna	98-		

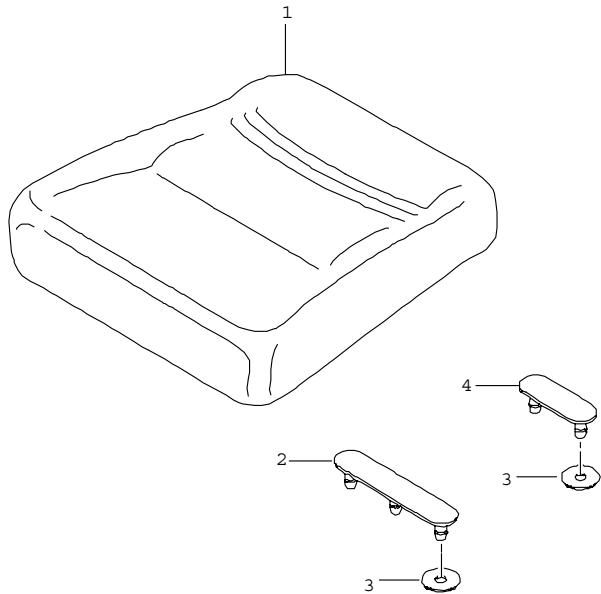
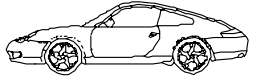
Model	Year	MG	SG	Illustration	Restrictions	Update	13:19	23.08.2006	PORSCHE	PET	PORSCHE
996	05	8	17	817-75		203					

Pos	Part Number	Name	Remarks	Qty	Model	Pos	Part Number	Name	Remarks	Qty	Model
	J30	nephrite gr./nephr. green	98-				J30	nephrite green			
	M30	boxster red/boxster red	98-				M30	boxster red			
	EVK	black/black	00-				P11	cinnamon brown			
(1)	996 522 012 07	back seat backrest carpet draped leather	/R -01	1	M 939		D11	dark grey/natural			
	8YR	black/black	-99			(1)	996 522 011 17	back seat backrest leather	05-	1	M 936/971
	B50	space grey/space grey	98-				VTG	darkgrey natural/grey			
	C50	graphite grey/graphite gr.	98-				VTK	brown nat./brown nat.			
	G10	metropole bl./metrop. blue	98-			(1)	996 522 012 17	back seat backrest leather	05-	1	M 936/971
	S30	savanna/savanna	98-				VTG	darkgrey natural/grey			
	J30	nephrite gr./nephr. green	98-				VTK	brown nat./brown nat.			
	M30	boxster red/boxster red	98-			2	996 522 097 03	rose	-99	2	
(1)	996 522 011 15	back seat backrest draped leather	/L 02-	1	M 939		01C	satin black			
	EVK	black				(2)	996 522 097 05	rose	00-	2	
	C50	graphite grey					01C	satin black			
	S30	savanna				3	A 996 522 267 05	bolt	-01	2	
	G10	metropole blue				(3)	996 522 267 07	bolt	02-	2	
	J30	nephrite green				4	996 522 271 00	bush		2	
	M30	boxster red				5	996 522 211 01	bearing outer		2	
	P11	cinnamon brown				6	999 073 138 09	screw M 8 X 25		2	
	D11	dark grey/natural				7	996 522 431 02	cover		1	
	T11	brown/natural					01C	satin black			
(1)	996 522 012 15	back seat backrest draped leather	/R 02-	1	M 939	8	N 044 734 1	pan-head screw M 5 X 16		1	
	EVK	black				9	U 996 522 615 00	shaft	-02	1	
	C50	graphite grey				(9)	996 522 615 01	shaft	02-	1	
	S30	savanna				10	996 522 041 00	bearing centre		1	
	G10	metropole blue									

Model	Year	MG	SG	Illustration	Restrictions	Update	13:19	23.08.2006	PORSCHE	PET	PORSCHE
996	05	8	17	817-75		203					

Pos	Part Number	Name	Remarks	Qty	Model	Pos	Part Number	Name	Remarks	Qty	Model
-	999 073 151 09	oval-head screw M 6 X 12	/V	2			01C	satin black			
-	999 073 188 09	oval-head screw M 6 X 25	/H	2		20	900 145 041 07	tapping screw B 3,5 X 16		4	
11	996 522 571 00	protection washer		1		21	996 522 173 00	carpet fine tuft velour	/L	1	
	01C	satin black					A10	black	98-		
12	999 073 049 02	tapping screw ST 3,5 X 16		4			B50	space grey	98-		
13	996 522 771 00	cover	/L	1			C50	graphite grey	98-		
	01C	satin black					G10	metropole blue	98-		
(13)	996 522 772 00	cover	/R	1			S30	savanna	98-		
	01C	satin black					J30	nephrite green	98-		
14	900 269 028 02	countersunk-head screw M 8 X 30		4			M30	boxster red	98-		
15	996 522 281 01	lock	-99	1			D11	dark grey/natural	00-		
(15)	996 522 282 02	lock	/R -99	1			T11	brown/natural	00-		
(15)	996 522 281 02	lock	/L 00-	1		(21)	996 522 174 00	carpet fine tuft velour	/R	1	
(15)	996 522 282 02	lock	/R 00-	1			A10	black	98-		
16	996 522 653 00	spring		2			B50	space grey	98-		
17	999 507 630 01	clamp 2,0		2			C50	graphite grey	98-		
18	996 522 315 00	rose	/L	1			G10	metropole blue	98-		
	01C	satin black					S30	savanna	98-		
(18)	996 522 316 00	rose	/R	1			J30	nephrite green	98-		
	01C	satin black					M30	boxster red	98-		
19	996 522 321 00	actuating lever	/L -98	1			D11	dark grey/natural	00-		
	01C	satin black					T11	brown/natural	00-		
(19)	996 522 321 01	actuating lever	/L 99-	1			P11	cinnamon brown	01-		
	01C	satin black				22	999 507 593 01	u-clamp 1,25 - 1,50		X	
(19)	996 522 322 00	actuating lever	/R -98	1							
	01C	satin black									
(19)	996 522 322 01	actuating lever	/R 99-	1							

Model	Year	MG	SG	Illustration	Restrictions	Update	13:19	23.08.2006	PORSCHE	PET	PORSCHE
996	05	8	17	817-80		203					



Pos	Part Number	Name	Remarks	Qty	Model
		back seat cushion			CARRERA COUPE/TARGA
1	996 522 051 01	back seat cushion leatherette	/L -01	1	M 937
	A10	black			
	B50	space grey			
	C50	graphite grey			
	G10	metropole blue			
	S30	savanna			
	C52	graphite grey			
	S32	savanna			
	G12	metropole blue			
	B52	space grey			
	ETN	black			
	J32	nephrite green			
(1)	996 522 052 01	back seat cushion leatherette	/R -01	1	M 937
	A10	black			
	B50	space grey			
	C50	graphite grey			
	G10	metropole blue			
	S30	savanna			
	C52	graphite grey			
	S32	savanna			
	G12	metropole blue			
	B52	space grey			
	ETN	black			
	J32	nephrite green			
(1)	996 522 051 02	back seat cushion	/L -01	1	M 936
	8YR	black			
	ETO	black			

Model	Year	MG	SG	Illustration	Restrictions	Update	13:19	23.08.2006	PORSCHE	PET	PORSCHE
996	05	8	17	817-80		203					

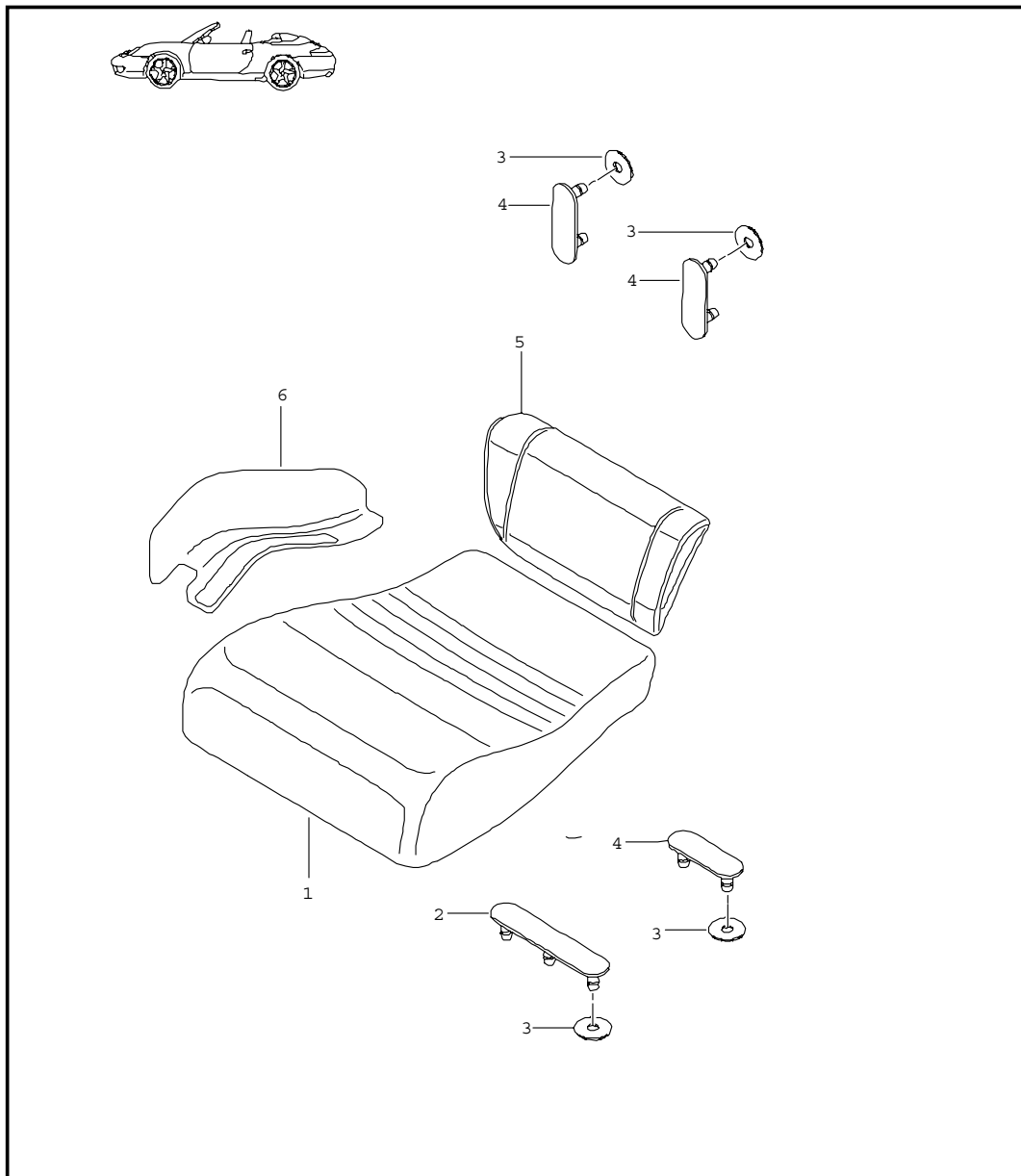
Pos	Part Number	Name	Remarks	Qty	Model	Pos	Part Number	Name	Remarks	Qty	Model
	C50	graphite grey					S30	savanna			
	S30	savanna					J30	nephrite green			
	G10	metropole blue					M30	boxster red			
	J30	nephrite green					D11	dark grey			
	M30	boxster red					T11	brown/natural			
	B50	space grey					P11	cinnamon brown			
	D11	dark grey/natural				(1)	996 522 051 14	back seat cushion leatherette	01-	1	M 937
	T11	brown/natural					ETN	black			
	P11	cinnamon brown					C52	graphite grey			
(1)	996 522 052 02	back seat cushion leather	/R -01	1	M 936		S32	savanna			
	8YR	black					G12	metropole blue			
	ETO	black					J32	nephrite green			
	C50	graphite grey				(1)	996 522 052 14	back seat cushion leatherette	01-	1	M 937
	S30	savanna					ETN	black			
	G10	metropole blue					C52	graphite grey			
	J30	nephrite green					S32	savanna			
	M30	boxster red					G12	metropole blue			
	B50	space grey					J32	nephrite green			
	D11	dark grey/natural				(1)	996 522 051 15	back seat cushion leather	01-	1	M 936
	T11	brown/natural					ETO	black			
	P11	cinnamon brown					C50	graphite grey			
(1)	996 522 051 03	back seat cushion draped leather	/L -01	1	M 939		S30	savanna			
(1)	996 522 052 03	back seat cushion draped leather	/R -01	1	M 939		G10	metropole blue			
	8YR	black					J30	nephrite green			
		black					M30	boxster red			
	B50	space grey					P11	cinnamon brown			
	C50	graphite grey					D11	dark grey/natural			
	G10	metropole blue					T11	brown/natural			

Model	Year	MG	SG	Illustration	Restrictions	Update	13:19	23.08.2006	PORSCHE	PET	PORSCHE
996	05	8	17	817-80		203					

Pos	Part Number	Name	Remarks	Qty	Model	Pos	Part Number	Name	Remarks	Qty	Model
(1)	996 522 052 15	back seat cushion leather	01-	1	M 936		D11	dark grey/natural			
	ETO	black					T11	brown/natural			
	C50	graphite grey				(1)	996 522 051 23	back seat cushion special model leather	04	1	M 095/936
	S30	savanna					VTB	dark grey/natural			
	G10	metropole blue				(1)	996 522 052 23	back seat cushion special model leather	04	1	M 095/936
	J30	nephrite green					VTB	dark grey/natural			
	M30	boxster red				2	996 522 893 00	clip triple		X	
	P11	cinnamon brown				3	996 522 897 00	clips nut		X	
	D11	dark grey/natural				4	996 522 895 00	clip double		X	
	T11	brown/natural						- - - E N D - - -			
(1)	996 522 051 16	back seat cushion draped leather	01-	1	M 939						
	ETO	black									
	C50	graphite grey									
	S30	savanna									
	G10	metropole blue									
	J30	nephrite green									
	M30	boxster red									
	P11	cinnamon brown									
	D11	dark grey/natural									
	T11	brown/natural									
(1)	996 522 052 16	back seat cushion draped leather	01-	1	M 939						
	ETO	black									
	C50	graphite grey									
	S30	savanna									
	G10	metropole blue									
	J30	nephrite green									
	M30	boxster red									
	P11	cinnamon brown									



Model	Year	MG	SG	Illustration	Restrictions	Update	13:19	23.08.2006	PORSCHE	PET	PORSCHE
996	05	8	17	817-85		203					



Pos	Part Number	Name	Remarks	Qty	Model
		back seat cushion back seat centre part			CARRERA CABRIO
1	996 522 051 05	back seat cushion leatherette	/L	1	M 937
	A10	black	-99		
	B50	space grey	-99		
	C50	graphite grey	-99		
	G10	metropole blue	-99		
	S30	savanna	-99		
	ETN	black	00-		
	C52	graphite grey	00-		
	S32	savanna	00-		
	G12	metropole blue	00-		
	B52	space grey	00		
	J32	nephrite green	01-		
(1)	996 522 052 05	back seat cushion leatherette	/R	1	M 937
	A10	black	-99		
	B50	space grey	-99		
	C50	graphite grey	-99		
	G10	metropole blue	-99		
	S30	savanna	-99		
	ETN	black	00-		
	C52	graphite grey	00-		
	S32	savanna	00-		
	G12	metropole blue	00-		
	B52	space grey	00		
	J32	nephrite green	01-		
(1)	996 522 051 08	back seat cushion leatherette	/L	1	M 193/937
	A10	black	-99		

Model	Year	MG	SG	Illustration	Restrictions	Update	13:19	23.08.2006	PORSCHE	PET	PORSCHE
996	05	8	17	817-85		203					

Pos	Part Number	Name	Remarks	Qty	Model	Pos	Part Number	Name	Remarks	Qty	Model
	B50	space grey	-99			(1)	996 522 052 17	back seat cushion not for japan leatherette	01-	1	M 937
	C50	graphite grey	-99								
	G10	metropole blue	-99				ETN	black			
	S30	savanna	-99				C52	graphite grey			
	ETN	black	00-				S32	savanna			
	C52	graphite grey	00-				G12	metropole blue			
	S32	savanna	00-				J32	nephrite green			
	G12	metropole blue	00-			(1)	996 522 051 20	back seat cushion	01-	1	M 193/937
	B52	space grey	00				ETN	black			
	J32	nephrite green	01-				C52	graphite grey			
(1)	996 522 052 08	back seat cushion leatherette	/R	1	M 193/937		S32	savanna			
	A10	black	-99				G12	metropole blue			
	B50	space grey	-99			(1)	996 522 052 20	back seat cushion leatherette	01-	1	M 193/937
	C50	graphite grey	-99				ETN	black			
	G10	metropole blue	-99				C52	graphite grey			
	S30	savanna	-99				S32	savanna			
	ETN	black	00-				G12	metropole blue			
	C52	graphite grey	00-				J32	nephrite green			
	S32	savanna	00-			(1)	996 522 051 06	back seat cushion leather	/L	1	M 936
	G12	metropole blue	00-				8YR	black	-99		
	B52	space grey	00				ETO	black	00-		
	J32	nephrite green	01-				C50	graphite grey			
(1)	996 522 051 17	back seat cushion leatherette	01-	1	M 937		S30	savanna			
	ETN	black					J30	nephrite green			
	C52	graphite grey					M30	boxster red			
	S32	savanna					B50	space grey	-00		
	G12	metropole blue					G10	metropole blue			
	J32	nephrite green									

Model	Year	MG	SG	Illustration	Restrictions	Update	13:20	23.08.2006	PORSCHE	PET	PORSCHE
996	05	8	17	817-85		203					

Pos	Part Number	Name	Remarks	Qty	Model	Pos	Part Number	Name	Remarks	Qty	Model
		D11 dark grey	00-				8YR black		-99		
		T11 brown/natural	00-				ETO black		00-		
		P11 cinnamon brown	01-				C50 graphite grey				
(1)	996 522 052 06	back seat cushion leather	/R	1	M 936		S30 savanna				
		8YR black	-99				J30 nephrite green				
		ETO black	00-				M30 boxster red				
		C50 graphite grey					B50 space grey		-00		
		S30 savanna					G10 metropole blue				
		J30 nephrite green					D11 dark grey		00-		
		M30 boxster red					T11 brown/natural		00-		
		B50 space grey	-00				P11 cinnamon brown		01-		
		G10 metropole blue				(1)	996 522 051 18	back seat cushion leather	01-	1	M 936
		D11 dark grey	00-				ETO black				
		T11 brown/natural	00-				C50 graphite grey				
		P11 cinnamon brown	01-				S30 savanna				
(1)	996 522 051 09	back seat cushion leather	/L	1	M 193/936		G10 metropole blue				
		8YR black	-99				J30 nephrite green				
		ETO black	00-				M30 boxster red				
		C50 graphite grey					P11 cinnamon brown				
		S30 savanna					D11 dark grey/natural				
		J30 nephrite green					T11 brown/natural				
		M30 boxster red				(1)	996 522 052 18	back seat cushion not for japan leather	01-	1	M 936
		B50 space grey	-00				ETO black				
		G10 metropole blue					C50 graphite grey				
		D11 dark grey	00-				S30 savanna				
		T11 brown/natural	00-				G10 metropole blue				
		P11 cinnamon brown	01-				J30 nephrite green				
(1)	996 522 052 09	back seat cushion leather	/R	1	M 193/936						

Model	Year	MG	SG	Illustration	Restrictions	Update	13:20	23.08.2006	PORSCHE	PET	PORSCHE
996	05	8	17	817-85		203					

Pos	Part Number	Name	Remarks	Qty	Model	Pos	Part Number	Name	Remarks	Qty	Model
	M30	boxster red					C50	graphite grey			
	P11	cinnamon brown					G10	metropole blue			
	D11	dark grey/natural					S30	savanna			
	T11	brown/natural					J30	nephrite green			
(1)	996 522 051 21	back seat cushion leather	01-	1	M 193/936		M30	boxster red			
	ETO	black					D11	dark grey	00-		
	S30	savanna					T11	brown/natural			
	J30	nephrite green				(1)	996 522 052 07	back seat cushion draped leather	/R -01	1	M 939
	P11	cinnamon brown					8YR	black	-99		
	T11	brown/natural					ETO	black	00-		
	C50	graphite grey					B50	space grey			
	G10	metropole blue					C50	graphite grey			
	M30	boxster red					G10	metropole blue			
(1)	996 522 052 21	back seat cushion leather	01-	1	M 193/936		S30	savanna			
	ETO	black					J30	nephrite green			
	S30	savanna					M30	boxster red			
	J30	nephrite green					D11	dark grey	00-		
	P11	cinnamon brown					T11	brown/natural			
	T11	brown/natural				(1)	996 522 051 10	back seat cushion draped leather	/L -01	1	M 193/939
	C50	graphite grey					8YR	black	-99		
	G10	metropole blue					ETO	black	00-		
	M30	boxster red					B50	space grey			
	D11	dark grey/natural					C50	graphite grey			
(1)	996 522 051 07	back seat cushion draped leather	/L -01	1	M 939		G10	metropole blue			
	8YR	black	-99				S30	savanna			
	ETO	black	00-				J30	nephrite green			
	B50	space grey									

Model	Year	MG	SG	Illustration	Restrictions	Update	13:20	23.08.2006	PORSCHE	PET	PORSCHE
996	05	8	17	817-85		203					

Pos	Part Number	Name	Remarks	Qty	Model	Pos	Part Number	Name	Remarks	Qty	Model
	M30	boxster red					ETO	black			
	D11	dark grey	00-				C50	graphite grey			
	T11	brown/natural					S30	savanna			
	P11	cinnamon brown					G10	metropole blue			
(1)	996 522 052 10	back seat cushion draped leather	/R -01	1	M 139/939		J30	nephrite green			
	8YR	black	-99				M30	boxster red			
	ETO	black	00-				P11	cinnamon brown			
	B50	space grey					D11	dark grey/natural			
	C50	graphite grey				(1)	T11	brown/natural			
	G10	metropole blue				996 522 051 22	back seat cushion	01-	1	M 193/939	
	S30	savanna				ETO	black				
	J30	nephrite green				C50	graphite grey				
	M30	boxster red				S30	savanna				
	D11	dark grey	00-			G10	metropole blue				
	T11	brown/natural				J30	nephrite green				
	P11	cinnamon brown				M30	boxster red				
(1)	996 522 051 19	back seat cushion	/L 01-	1	M 939	P11	cinnamon brown				
	ETO	black				D11	dark grey/natural				
	C50	graphite grey				T11	brown/natural				
	S30	savanna				(1)	996 522 052 22	back seat cushion draped leather	01-	1	M 193/939
	G10	metropole blue				ETO	black				
	J30	nephrite green				C50	graphite grey				
	M30	boxster red				S30	savanna				
	P11	cinnamon brown				G10	metropole blue				
	D11	dark grey/natural				J30	nephrite green				
	T11	brown/natural				M30	boxster red				
(1)	996 522 052 19	back seat cushion draped leather not for japan	/R 01-	1	M 939	P11	cinnamon brown				
						D11	dark grey/natural				
						T11	brown/natural				

Model	Year	MG	SG	Illustration	Restrictions	Update	13:20	23.08.2006	PORSCHE	PET	PORSCHE
996	05	8	17	817-85		203					

Pos	Part Number	Name	Remarks	Qty	Model	Pos	Part Number	Name	Remarks	Qty	Model
(1)	996 522 051 24	back seat cushion leather not for japan  VTB dark grey/natural VTL brown/natural	/L 05-	1	M 936/971		C50	graphite grey			
							B50	space grey			
							G10	metropole blue			
							S30	savanna			
(1)	996 522 052 24	back seat cushion leather not for japan  VTB dark grey/natural VTL brown/natural	/R 05-	1	M 936/971	(5)	996 522 235 07	centre part leatherette	/L 00-	1	M 937
							A12	black			
							C52	graphite grey			
							S32	savanna			
							G12	metropole blue			
(1)	996 522 051 25	back seat cushion leather  VTB dark grey/natural VTL brown/natural	/L 05-	1	M 193/936 M 971 M 971		B52	space grey	00		
							J32	nephrite green	01-		
(1)	996 522 052 25	back seat cushion leather  VTB dark grey/natural VTL brown/natural	/R 05-	1	M 193/936 M 971	(5)	996 522 236 07	centre part leatherette	/R 00-	1	M 937
							A12	black			
							C52	graphite grey			
							S32	savanna			
							G12	metropole blue			
2	996 522 893 00	clip triple		X			B52	space grey	00		
3	996 522 897 00	clips nut		X			J32	nephrite green	01-		
4	996 522 895 00	clip double		X		(5)	996 522 235 02	centre part leather	/L -99	1	M 936
5	996 522 235 01	centre part leatherette  A10 black C50 graphite grey B50 space grey G10 metropole blue S30 savanna	/L -99	1	M 937	(5)	996 522 236 02	centre part leather	/R -99	1	M 936
						(5)	996 522 235 03	centre part draped leather	/L -99	1	M 939
							8YR	black	-99		
							C50	graphite grey			
							B50	space grey			
							G10	metropole blue			
(5)	996 522 236 01	centre part leatherette  A10 black	/R -99	1	M 937		S30	savanna			
							J30	nephrite green			

Model	Year	MG	SG	Illustration	Restrictions	Update	13:20	23.08.2006	PORSCHE	PET	PORSCHE
996	05	8	17	817-85		203					

Pos	Part Number	Name	Remarks	Qty	Model	Pos	Part Number	Name	Remarks	Qty	Model
(5)	996 522 236 03	M30 boxster red centre part draped leather	/R -99	1	M 939	(5)	996 522 235 09	D11 dark grey/natural T11 brown/natural P11 cinnamon brown centre part	/L 00-	1	M 939
	8YR	black	-99				8YR	black			
	C50	graphite grey					C50	graphite grey			
	B50	space grey					S30	savanna			
	G10	metropole blue					G10	metropole blue			
	S30	savanna					B50	space grey	00		
	J30	nephrite green					J30	nephrite green			
(5)	996 522 235 08	M30 boxster red centre part	/L 00-	1	M 936	(5)	996 522 236 09	M30 boxster red D11 dark grey/natural T11 brown/natural P11 cinnamon brown centre part draped leather	/R 00-	1	M 939
	8YR	black					8YR	black			
	C50	graphite grey					C50	graphite grey			
	S30	savanna					S30	savanna			
	G10	metropole blue					G10	metropole blue			
	B50	space grey	00				B50	space grey	00		
	J30	nephrite green					J30	nephrite green			
	M30	boxster red					M30	boxster red			
	D11	dark grey/natural					D11	dark grey/natural			
	T11	brown/natural					T11	brown/natural			
	P11	cinnamon brown					P11	cinnamon brown			
(5)	996 522 236 08	centre part leather	/R 00-	1	M 936	(5)	996 522 235 13	centre part leather	/L 05-	1	M 936/971
	8YR	black					D13	dark grey/natural			
	C50	graphite grey					T14	brown/natural			
	S30	savanna									
	G10	metropole blue									
	B50	space grey	00								
	J30	nephrite green									
	M30	boxster red									

Model	Year	MG	SG	Illustration	Restrictions	Update	13:20	23.08.2006	PORSCHE	PET	PORSCHE
996	05	8	17	817-85		203					

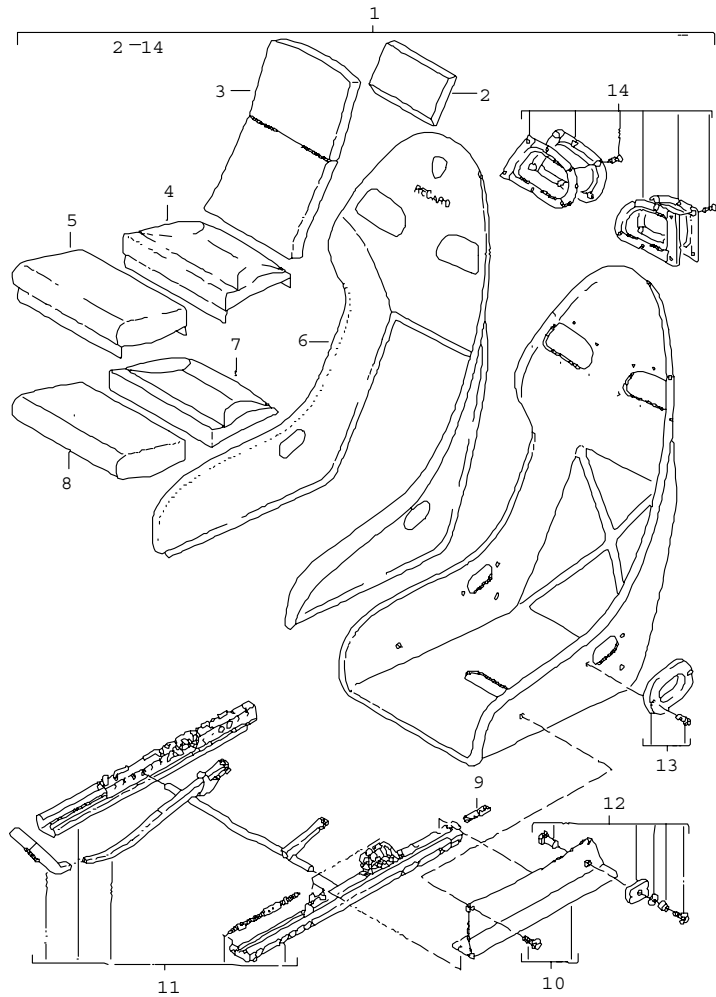
Pos	Part Number	Name	Remarks	Qty	Model	Pos	Part Number	Name	Remarks	Qty	Model
(5)	996 522 236 13	centre part leather	/R 05-	1	M 936/971		A12	black			
	D13	dark grey/natural					C52	graphite grey			
	T14	brown/natural					S32	savanna			
6	996 522 065 00	back seat extension leatherette	/L -01	1	M 193/937		G12	metropole blue			
	A10	black	-99			(6)	996 522 066 02	back seat extension leatherette	/R 01-	1	M 193/937
	B50	space grey	-99				A12	black			
	C50	graphite grey	-99				C52	graphite grey			
	G10	metropole blue	-99				S32	savanna			
	S30	savanna	-99				G12	metropole blue			
	A12	black	00-				J32	nephrite green			
	C52	graphite grey	00-			(6)	996 522 065 01	back seat extension leather	/L -00	1	M 193/936 M 939 M 939
	S32	savanna	00-				8YR	black			
	B52	space grey	00				B50	space grey	-00		
	G12	metropole blue	00-				C50	graphite grey			
	J32	nephrite green	01-				G10	metropole blue			
(6)	996 522 066 00	back seat extension leatherette	/R -01	1	M 193/937		S30	savanna			
	A10	black	-99				J30	nephrite green			
	B50	space grey	-99				M30	boxster red			
	C50	graphite grey	-99				D11	dark grey	00-		
	G10	metropole blue	-99				T11	brown/natural	00-		
	S30	savanna	-99			(6)	996 522 066 01	back seat extension leather	/R -00	1	M 193/936 M 939
	A12	black	00-				8YR	black			
	C52	graphite grey	00-				B50	space grey	-00		
	S32	savanna	00-				C50	graphite grey			
	B52	space grey	00				G10	metropole blue			
	G12	metropole blue	00-				S30	savanna			
	J32	nephrite green	01-								
(6)	996 522 065 02	back seat extension	/L 01-	1	M 193/937						



Model	Year	MG	SG	Illustration	Restrictions	Update	13:20	23.08.2006	PORSCHE	PET	PORSCHE
996	05	8	17	817-85		203					

Pos	Part Number	Name	Remarks	Qty	Model	Pos	Part Number	Name	Remarks	Qty	Model
		J30 nephrite green									
		M30 boxer red									
		D11 dark grey	00-								
		T11 brown/natural	00-								
(6)	996 522 065 03	back seat extension	01-	1	M 193/936 M 939						
		8YR black									
		C50 graphite grey									
		S30 savanna									
		G10 metropole blue									
		J30 nephrite green									
		M30 boxer red									
		P11 cinnamon brown									
		D11 dark grey/natural									
		T11 brown/natural									
(6)	996 522 066 03	back seat extension back seat cushion leather	01-	1	M 193/936 M 939						
		8YR black									
		C50 graphite grey									
		S30 savanna									
		G10 metropole blue									
		J30 nephrite green									
		M30 boxer red									
		P11 cinnamon brown									
		D11 dark grey/natural									
		T11 brown/natural									
		- - - E N D - - -									

Model	Year	MG	SG	Illustration	Restrictions	Update	13:20	23.08.2006	PORSCHE	PET	PORSCHE
996	05	8	17	817-90		203					

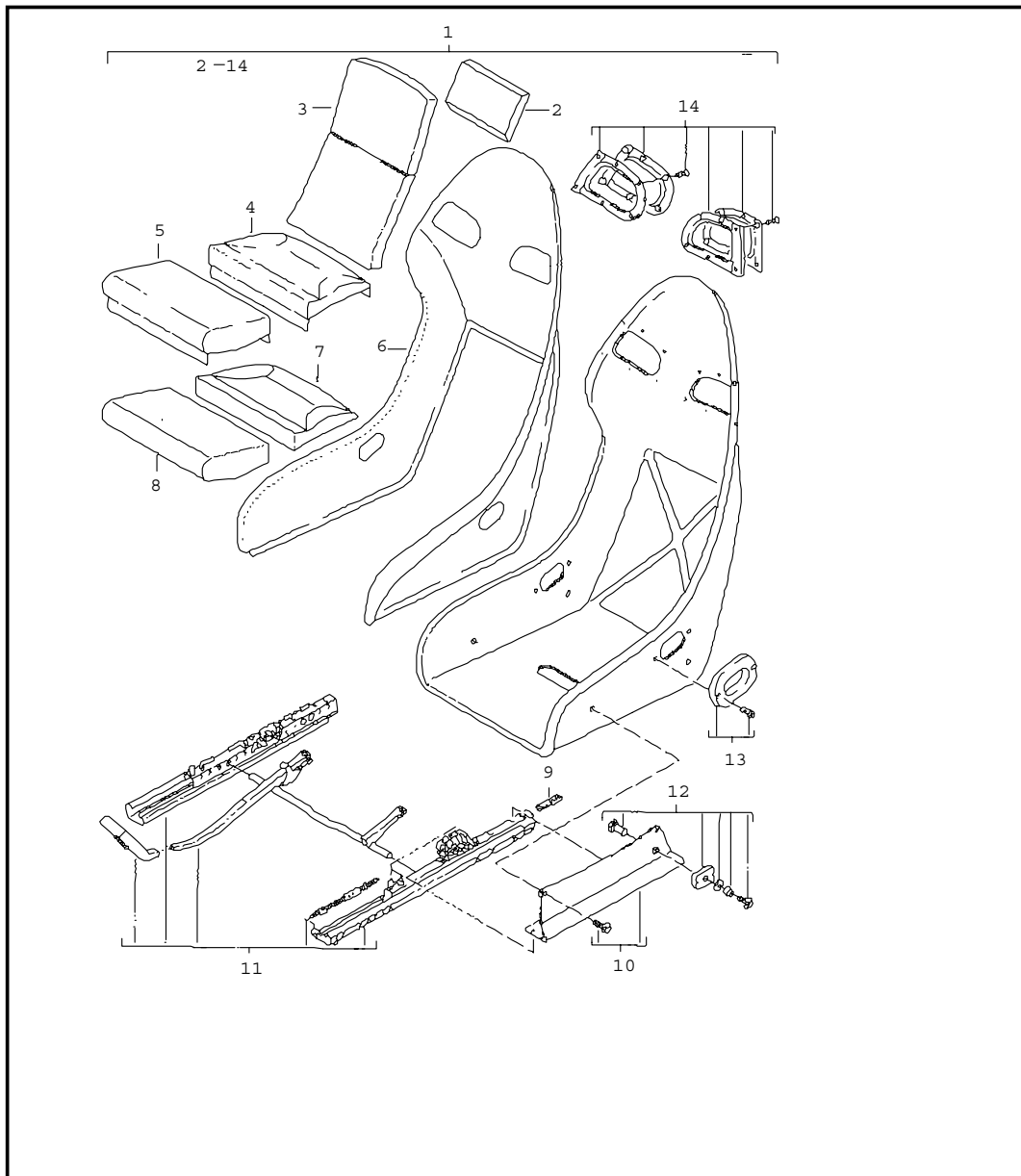


Pos	Part Number	Name	Remarks	Qty	Model
		bucket seat with perlon velour cover			CARRERA
1	996 521 985 00	bucket seat perlon velour black	/LL/L	1	IXSE/M 990
(1)	996 521 986 00	bucket seat perlon velour black	/LL/R	1	IXSF/M 990
(1)	996 521 985 02	bucket seat perlon velour black	/RL/L	1	IXSE/M 990
(1)	996 521 986 02	bucket seat perlon velour black	/RL/R	1	IXSF/M 990
(1)	996 521 985 07	bucket seat ERZ black	/LL	1	IXSS/M 983
(1)	996 521 985 09	bucket seat ERZ black	/RL	1	IXSS/M 983
(1)	996 521 986 07	bucket seat ERZ black	/LL	1	IXSR/M 983
(1)	996 521 986 09	bucket seat ERZ black	/RL	1	IXSR/M 983
2	996 521 911 90	lumbar support		2	IXSE/XSF IXSR/XSS
3	996 521 913 90	backrest cushion perlon velour black		2	IXSE/XSF M 990
4	996 521 915 90	cover for cushion seat cushion rear		2	IXSE/XSF M 990
5	996 521 919 90	cover for cushion seat cushion front perlon velour black		2	IXSE/XSF M 990
6	996 521 988 00	outer lining perlon velour black		2	IXSE/XSF M 990

Model	Year	MG	SG	Illustration	Restrictions	Update				PORSCHE	PET	PORSCHE
996	05	8	17	817-90		203	13:20	23.08.2006				

Pos	Part Number	Name	Remarks	Qty	Model	Pos	Part Number	Name	Remarks	Qty	Model
7	996 521 917 90	foam part seat cushion rear		2	IXSE/XSF IXSR/XSS						
8	996 521 921 90	foam part seat cushion front		2	IXSE/XSF IXSR/XSS						
9	996 521 931 90	stop		2	IXSE/XSF IXSR/XSS						
(9)	996 521 603 01	stop short	02-	2							
10	996 521 923 90	parts kit adapter	/L	2	IXSE/XSS						
(10)	996 521 924 90	parts kit adapter	/R	2	IXSF/XSR						
11	996 521 929 90	parts kit seat rail	/L	1	IXSE/XSS						
(11)	996 521 930 90	parts kit seat rail	/R	1	IXSF/XSR						
(12)	996 521 925 90	set of fastening parts seat-belt buckle inner		2							
12	996 521 927 90	set of fastening parts seat-belt buckle outer		2							
13	996 521 907 90	parts kit rose belt lower		2							
14	996 521 905 90	parts kit rose belt upper		2							
		- - - E N D - - -									

Model	Year	MG	SG	Illustration	Restrictions	Update	13:20	23.08.2006	PORSCHE	PET	PORSCHE
996	05	8	17	817-95		203					



Pos	Part Number	Name	Remarks	Qty	Model
		bucket seat with whole-leather cover			CARRERA
1	996 521 985 01	bucket seat leather	/LL/L	1	IXSE/M 983
	8YR	black			
	B50	space grey			
	C50	graphite grey			
	G10	metropole blue			
	S30	savanna			
	J30	nephrite green			
	M30	boxster red			
	T11	brown/natural			
	D11	dark grey/natural			
	P11	cinnamon brown			
(1)	996 521 986 01	bucket seat leather	/LL/R	1	IXSF/M 983
	8YR	black			
	B50	space grey			
	C50	graphite grey			
	G10	metropole blue			
	S30	savanna			
	J30	nephrite green			
	M30	boxster red			
	T11	brown/natural			
	D11	dark grey/natural			
	P11	cinnamon brown			
(1)	996 521 985 03	bucket seat leather	/RL/L	1	IXSE/M 983
	8YR	black			
	B50	space grey			

Model	Year	MG	SG	Illustration	Restrictions	Update	13:20	23.08.2006	PORSCHE	PET	PORSCHE
996	05	8	17	817-95		203					

Pos	Part Number	Name	Remarks	Qty	Model	Pos	Part Number	Name	Remarks	Qty	Model
	C50	graphite grey					T11	brown/natural			
	G10	metropole blue					D11	dark grey/natural			
	S30	savanna					P11	cinnamon brown			
	J30	nephrite green					ERZ	black			
	M30	boxster red				4	996 521 990 00	cover for cushion rear leather		2	IXSE/XSF/XSR IXSS/M 983
	T11	brown/natural					8YR	black			
	D11	dark grey/natural					B50	space grey			
	P11	cinnamon brown					C50	graphite grey			
(1)	996 521 986 03	bucket seat leather	/RL/R	1	IXSF/M 983		G10	metropole blue			
	8YR	black					S30	savanna			
	B50	space grey					J30	nephrite green			
	C50	graphite grey					M30	boxster red			
	G10	metropole blue					T11	brown/natural			
	S30	savanna					D11	dark grey/natural			
	J30	nephrite green					P11	cinnamon brown			
	M30	boxster red				5	996 521 991 00	cover for cushion leather front		2	IXSE/XSF/XSR IXSS/M 983
	T11	brown/natural					8YR	black			
	D11	dark grey/natural					B50	space grey			
	P11	cinnamon brown					C50	graphite grey			
2	996 521 911 90	lumbar support		2	IXSE/XSF IXSR/XSS		G10	metropole blue			
3	996 521 989 00	backrest cushion leather		2	IXSE/XSF/XSR IXSS/M 983		S30	savanna			
	8YR	black					J30	nephrite green			
	B50	space grey					M30	boxster red			
	C50	graphite grey					T11	brown/natural			
	G10	metropole blue					D11	dark grey/natural			
	S30	savanna					P11	cinnamon brown			
	J30	nephrite green									
	M30	boxster red									

Model	Year	MG	SG	Illustration	Restrictions	Update	13:20	23.08.2006	PORSCHE	PET	PORSCHE
996	05	8	17	817-95		203					

Pos	Part Number	Name	Remarks	Qty	Model	Pos	Part Number	Name	Remarks	Qty	Model
	ERZ	black				12	996 521 927 90	set of fastening parts seat-belt buckle outer		2	
6	996 521 988 01	outer lining leather		2	IXSE/XSF/XSR IXSS/M 983	13	996 521 907 90	parts kit rose belt lower		2	
	8YR	black				14	996 521 905 90	parts kit rose belt upper		2	
	B50	space grey									
	C50	graphite grey									
	G10	metropole blue									
	S30	savanna									
	J30	nephrite green									
	M30	boxster red									
	T11	brown/natural									
	D11	dark grey/natural									
	P11	cinnamon brown									
	ERZ	black									
7	996 521 917 90	foam part seat cushion rear		2	IXSE/XSF IXSR/XSS						
8	996 521 921 90	foam part seat cushion front		2	IXSE/XSF IXSR/XSS						
9	996 521 931 90	stop		2							
(9)	996 521 603 01	stop short		2							
10	996 521 923 90	parts kit adapter	/L	2	IXSE/XSS						
(10)	996 521 924 90	parts kit adapter	/R	2	IXSF/XSR						
11	996 521 929 90	parts kit seat rail	/L	1	IXSE/XSS						
(11)	996 521 930 90	parts kit seat rail	/R	1	IXSF/XSR						
(12)	996 521 925 90	set of fastening parts seat-belt buckle inner		2							

- - - E N D - - -

PORSCHE

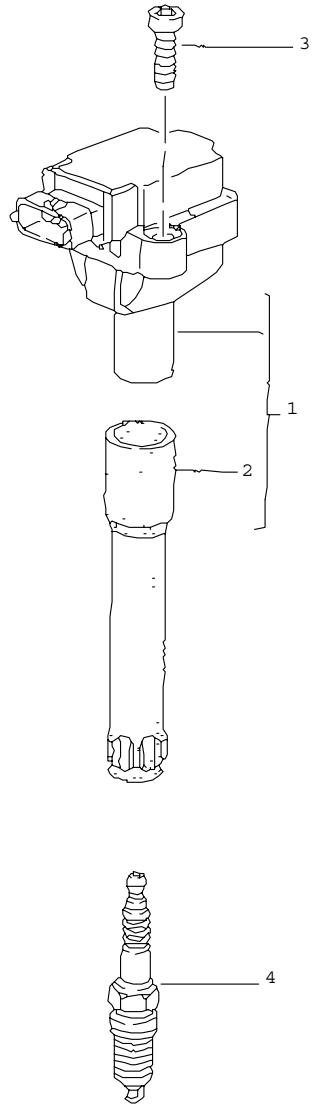
# PET

PORSCHE

Model	Year	MG	SG	Illustration	Restrictions	Update	13:20	23.08.2006
996	05	8	98	898-00		203		

Pos	Part Number	Name	Remarks	Qty	Model
		repair kits			
		set of locks			
>>	> 996 538 001 03	set of locks	-01	1	M 531,532
>>	> 996 538 001 06	set of locks	02-	1	M 531,532
>>	> 996 538 001 04	set of locks	/LL -01	1	M 534,535
>>	> 996 538 001 07	set of locks	/LL 02-	1	M 534,535
>>	> 996 538 001 05	set of locks	/RL -01	1	M 534,535
>>	> 996 538 001 08	set of locks	/RL 02-	1	M 534,535
		- - - E N D - - -			

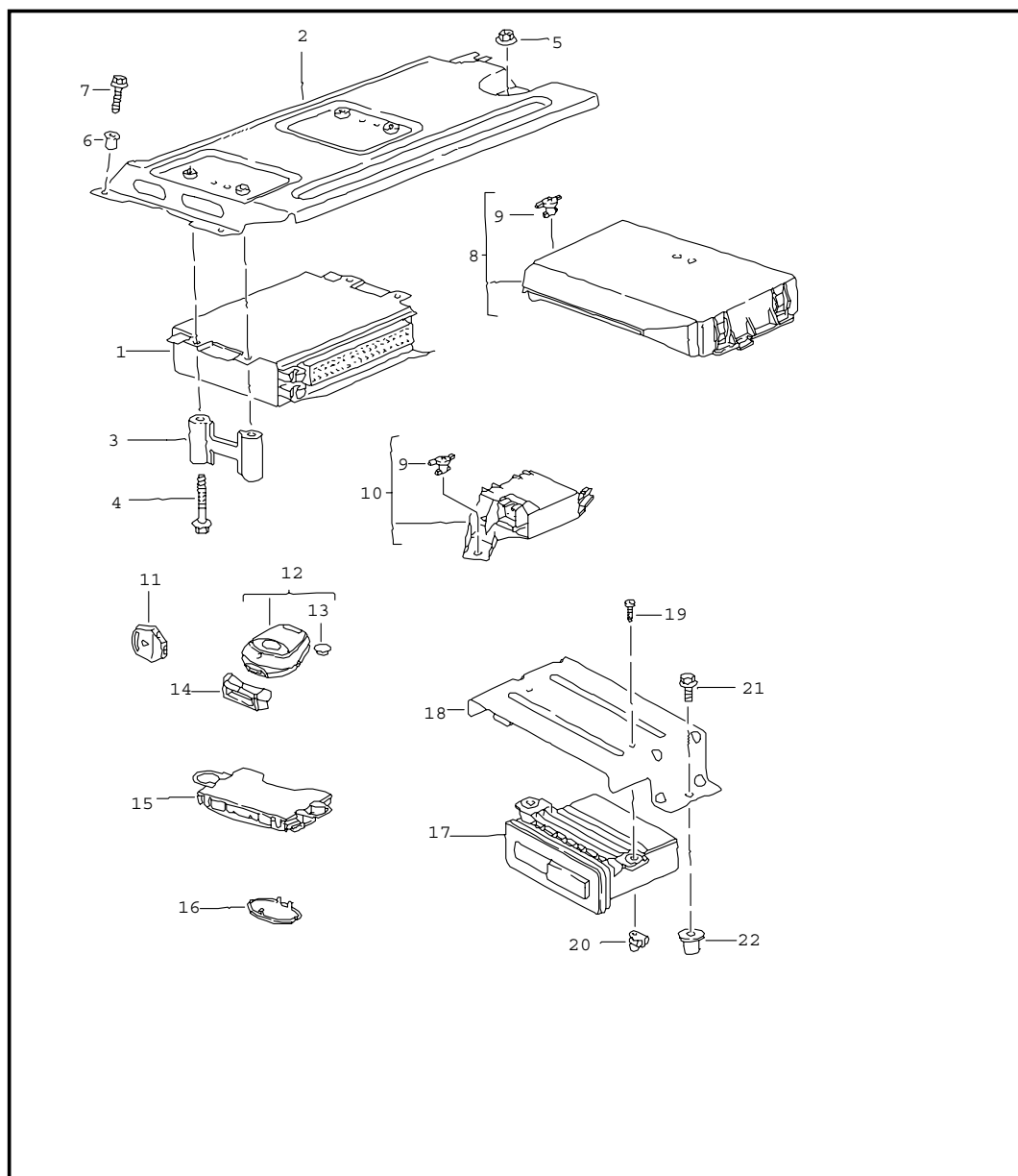
Model	Year	MG	SG	Illustration	Restrictions	Update	13:20	23.08.2006	PORSCHE	PET	PORSCHE
996	05	9	01	901-00		203					



Pos	Part Number	Name	Remarks	Qty	Model
		ignition system			
1	996 602 101 01	ignition coil	-01	6	M 96.01/02/04
-	999 652 916 40	connector housing		6	
-	999 650 052 12	connector		18	
-	999 704 161 40	gasket		18	
-	996 607 401 00	rubber sleeve		4	
-	996 607 402 00	rubber sleeve		2	
1	996 602 104 00	ignition coil	02-	6	M 96.03
2	996 602 103 01	spark plug socket	-01	6	M 96.01/02/04
2	996 602 105 00	spark plug socket	02-	6	M 96.03
3	900 067 089 09	pan-head screw M 6 X 25		12	
		M	>> 664 08139		
		M	>> 684 01577		X51
3	900 387 008 09	torx screw M 6 X 25		12	
		M 664 08140	>>		M 96.03
		M 684 01578	>>		M 96.03 X51
4	999 170 207 91	spark plug 14FGR 6KQU	-01	6	M 96.01/02/04
4	999 170 223 90	spark plug FGR 5KQE0	02-	6	M 96.03
		- - - E N D - - -			



Model	Year	MG	SG	Illustration	Restrictions	Update	13:21	23.08.2006	PORSCHE	PET	PORSCHE
996	05	9	01	901-03		203					



Pos	Part Number	Name	Remarks	Qty	Model
		control units			
1	996 618 601 04	control unit - dme -	-99	1	
(1)	996 618 605 00	control unit - dme -	-01	1	M 620
(1)	996 618 604 00	control unit - dme - see technical information GR.2 NR.8/02	02-	1	M 620
(1)	996 618 150 00	control unit fuel pump	02-	1	M 339/M 664
-	999 919 125 09	hexagon-head bolt 6,0 X16 for control unit fuel pump	02-	2	M 339/M 664
(1)	996 618 114 01	control unit tiptronic F >>99XS6 00762 F >>99XS6 40394		1	M 249,M 338 COUPE CABRIO
(1)	996 618 114 02	control unit tiptronic F 99XS6 00763>> F 99XS6 40395>>	-99	1	M 249,M 338 COUPE CABRIO
(1)	996 618 132 02	control unit tiptronic	99	1	M 249,M 339
(1)	996 618 120 02	control unit tiptronic	-01	1	M 249
(1)	996 618 180 07	control unit tiptronic see technical information GR. 3 , NR. 6/02	02-	1	M 249
2	996 618 129 00	support control unit - dme - TIPTRONIC	-00	1	COUPE
(2)	996 618 129 01	support control unit - dme - TIPTRONIC	01-	1	COUPE
(2)	996 618 131 00	support control unit - dme -		2	CABRIO

Model	Year	MG	SG	Illustration	Restrictions	Update	13:21	23.08.2006	PORSCHE	PET	PORSCHE
996	05	9	01	901-03		203					

Pos	Part Number	Name	Remarks	Qty	Model	Pos	Part Number	Name	Remarks	Qty	Model
(2)	996 618 133 00	support control unit tiptronic	-01	2	CABRIO M 249	8	996 618 262 02	control unit anti-drive-off feature central locking system alarm system	01-	1	M 534
(2)	996 618 257 00	support control unit tiptronic F >>994S6 52490	02-04	1	M 249	-	996 612 034 00	cable antenna for POS. 8	01-	1	M 534
(2)	996 618 257 01	support control unit tiptronic F 994S6 52491>>	04-	1	M 249	8	996 618 260 07	control unit anti-drive-off feature central locking system alarm system	-00	1	M 535
3	996 618 214 00	spacer	-01	2	COUPE M 249	8	996 618 262 03	control unit anti-drive-off feature central locking system alarm system	01-	1	M 535
4	900 378 036 09	hexagon-head bolt M 6 X 12		4	COUPE	-	996 612 035 00	cable antenna for POS. 8	01-	1	M 535
(4)	900 378 032 09	hexagon-head bolt M 6 X 50	-01	4	COUPE M 249	-	996 612 054 00	connecting line antenna booster control unit POS. 8	03-	1	M 665
(4)	900 146 040 02	screw M 6 X 25	02-	1	M 249	-	999 607 064 00	fuse 15 A for POS. 8		X	
5	999 084 629 09	hexagon nut M 6		1	COUPE	-	999 507 925 40	fixing clip for wiring harness seat		1	
6	999 500 078 00	sheetmetal press nut M 6	-00	2	COUPE	-	999 650 161 40	plug socket for POS. 8		1	
6	999 500 078 00	sheetmetal press nut M 6	02-	1	M 249	-	999 650 099 12	connector		X	
7	900 075 413 09	screw M 6 X 16 Z2	-00	2	COUPE	-	999 650 097 40	cap white		1	
(7)	999 084 629 09	hexagon nut M 6	01-	2	COUPE	-	999 650 101 40	cap white		1	M 534
(7)	999 073 060 02	tapping screw 4,8 X 13		X	CABRIO	-	999 650 102 40	cap blue		1	M 535
-	-	control unit folding top control see group 8/11/15		1	CABRIO						
-	-	control unit roll-over bar see group 8/11/15		1	CABRIO						
8	996 618 260 06	control unit anti-drive-off feature central locking system alarm system	-00	1	M 534						

Model	Year	MG	SG	Illustration	Restrictions	Update	13:21	23.08.2006	PORSCHE	PET	PORSCHE
996	05	9	01	901-03		203					

Pos	Part Number	Name	Remarks	Qty	Model	Pos	Part Number	Name	Remarks	Qty	Model
-	999 650 113 40	plug socket 12-pole black		1		12	996 637 243 01	remote control	-00	1	M 535
-	N 903 353 04	connector 2,5		X		-	996 637 247 00	remote control upper part for 996.637.243.01	-00	1	M 535
-	N 903 352 04	connector 1,0		X		12 A	996 637 244 31	remote control	01- 01-	1	COUPE M 535 CABRIO M 533 M 535
9	996 618 261 00	locking device		1		12 U	996 637 244 36	remote control	01-03 01-03	1	COUPE M 535 CABRIO M 533 M 535
10	996 618 159 01	signal transducer		1		12	996 637 244 42	remote control	01- 01-	1	COUPE M 535 CABRIO M 533 M 535
11	996 637 041 00	key lamp		1	M 532	-	996 637 353 00	remote control upper part for 996.637.244.31/36/42	01-	1	
-	928 537 630 02	bulb for key lamp		X		(12) U	996 637 244 34	remote control	01-02	1	CABRIO M 535
12	996 637 243 00	remote control	-00 -00	1	COUPE M 534 CABRIO M 533 M 534	(12) U	996 637 244 37	remote control	03	1	CABRIO M 535
-	996 637 247 00	remote control upper part for 996.637.243.00	-00	1		(12)	996 637 244 43	remote control	01-	1	CABRIO M 535
12 U	996 637 244 30	remote control	01-03 01-03	1	COUPE M 534 CABRIO M 533 M 534	-	996 637 355 00	remote control upper part for 996.637.244.34/37/43	01-	1	
12	996 637 244 40	remote control	01- 01-	1	COUPE M 534 CABRIO M 533 M 534	12	996 637 243 02	remote control	-00 98	1	COUPE (J) CABRIO (J) M 535
-	996 637 353 00	remote control upper part for 996.637.244.30/40	01-	1		-	996 637 247 00	remote control upper part for 996.637.243.02		1	
(12)	996 637 243 20	remote control	-00	1	CABRIO M 534	12 U	996 637 244 32	remote control	01-03	1	COUPE (J) M 535
-	996 637 347 00	remote control upper part for 996.637.243.20	-00	1		12	996 637 244 44	remote control	01-	1	COUPE (J) M 535
(12) U	996 637 244 33	remote control	01-03	1	CABRIO M 534	-	996 637 353 00	remote control upper part for 996.637.244.32/44	01-	1	
(12)	996 637 244 41	remote control	01-	1	CABRIO M 534	(12)	996 637 243 22	remote control	-00	1	CABRIO (J) M 535
-	996 637 355 00	remote control upper part for 996.637.244.33/41	01-	1							

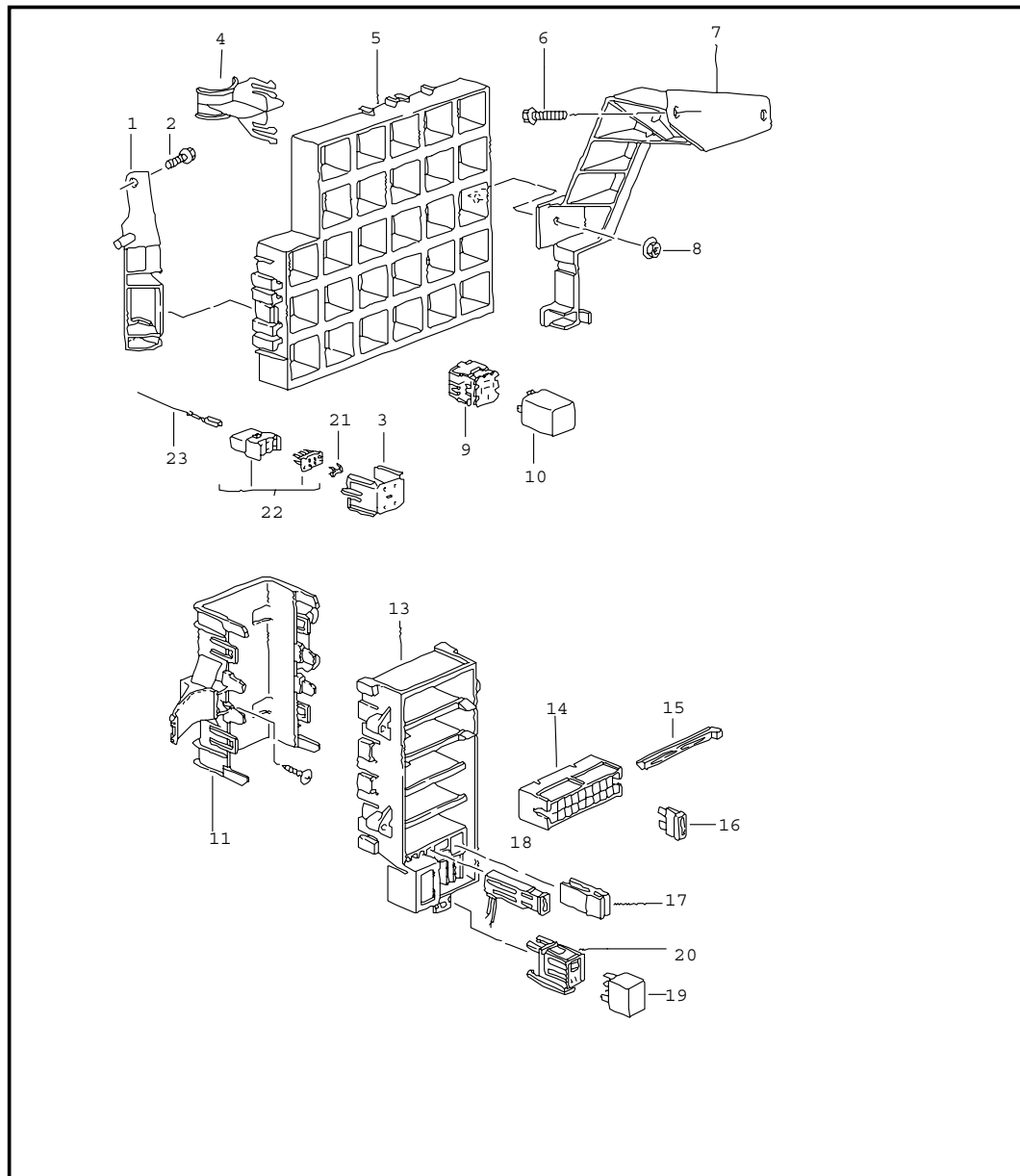
Model	Year	MG	SG	Illustration	Restrictions	Update	13:21	23.08.2006	PORSCHE	PET	PORSCHE
996	05	9	01	901-03		203					

Pos	Part Number	Name	Remarks	Qty	Model	Pos	Part Number	Name	Remarks	Qty	Model
-	996 637 347 00	remote control upper part for 996.637.243.22	-00	1		14	996 637 344 00	identification ring key 1 set red yellow	01-	1	
(12) U	996 637 244 35	remote control	01-03	1	CABRIO (J) M 535	14	996 637 344 01	identification ring key 1 set blue green	01-	1	
(12)	996 637 244 45	remote control	01-	1	CABRIO (J) M 535						
-	996 637 355 00	remote control upper part for 996.637.244.35/45	01-	1		15	996 618 210 02	sensor interior monitoring		1	M 534, M 535
(12) U	986 637 244 13	remote control	-03	1	TARGA M 534	15	996 618 210 03	sensor interior monitoring for leather paint can-can-red flamenco red plum red pearl white white ferrari yellow speed yellow orchid metallic magnolia		1	M 534, M 535, M 999
(12)	986 637 244 17	remote control	02-	1	TARGA M 534						
-	996 637 351 00	remote control upper part for 986.637.244.13/17	02-	1							
(12) A	986 637 244 14	remote control	02-	1	TARGA M 535						
(12) U	986 637 244 16	remote control	-03	1	TARGA M 535						
(12)	986 637 244 18	remote control	02-	1	TARGA M 535	-	999 650 236 40	plug socket		1	
-	996 637 351 00	remote control upper part for 986.637.244.14/16/18	02-	1		-	999 650 256 22	connector		4	
(12) U	986 637 244 15	remote control	-03	1	TARGA (J) M 535	(16)	996 618 212 02	trim  alarm siren tilt sensor see group 9/03/00		2	M 536 M 536
(12)	986 637 244 19	remote control	02-	1	TARGA (J) M 535	17	996 618 171 01	control unit park distance control electronic mail GR. 9 , NR. 9/98 F >>99XS6 00294 F >>99XS6 40108	-99	1	M 635
-	996 637 351 00	remote control upper part for 986.637.244.15/19	02-	1							
-	996 637 443 00	emblem coloured for key lamp and remote control	02-	1		17 A	996 618 171 02	control unit park distance control F 99XS6 00295>> F 99XS6 40109>>	-03	1	M 635
13	999 611 108 00	battery see technical information GR. 9 , NR. 20/03		1	M 534, M 535	17	996 618 171 03	control unit park distance control F 99XS6 00295>> F 99XS6 40109>>	99-	1	M 635
						18	996 618 371 00	support	-01	1	M 635

Model	Year	MG	SG	Illustration	Restrictions	Update	13:21	23.08.2006	PORSCHE	PET	PORSCHE
996	05	9	01	901-03		203					

Pos	Part Number	Name	Remarks	Qty	Model	Pos	Part Number	Name	Remarks	Qty	Model
(18)	996 618 371 01	support	02-	1	M 635						
19	999 919 120 09	oval-head screw 4,0 X 18		2	M 635						
20	999 920 015 40	special nut 4,0		2	M 635						
21	900 378 179 09	hexagon-head bolt M 6 X 16		2	M 635						
22	999 500 078 00	sheetmetal press nut M 6 sensor see group 8/02/05		2	M 635 M 635						
		- - - E N D - - -									

Model	Year	MG	SG	Illustration	Restrictions	Update	13:21	23.08.2006	PORSCHE	PET	PORSCHE
996	05	9	02	902-00		203					

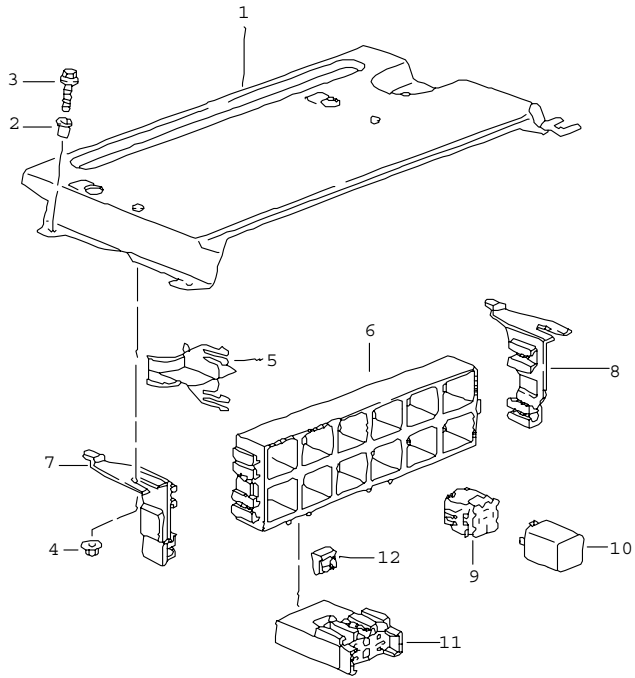


Pos	Part Number	Name	Remarks	Qty	Model
		central electrical system dashboard			
1	996 610 117 00	support	/LL/L	1	
(1)	996 610 119 00	support	/RL/L	1	
2	900 378 155 09	hexagon-head bolt M 6 X 16 ASP		1	
3	996 610 104 00	retaining frame		X	
4	996 610 112 00	cable holder		X	
5	996 610 109 00	relay carrier support frame		1	
6	900 378 155 09	hexagon-head bolt M 6 X 16 ASP		2	
7	996 610 116 00	support	/LL/R	1	
(7)	996 610 118 00	support	/RL/R	1	
8	900 377 010 09	hexagon nut M 6		1	
9	928 610 511 00	relay carrier		X	
10	-	relay			
S 3	1H0 953 227	flasher relay		1	
S 4	996 615 117 00	control unit rear window heating		1	
S 5	999 657 005 90	relay	-00	1	M 614/M 618
S 6/7	996 615 111 00	relay		1	M 606
S 8	996 618 113 00	relay headlight washer system		1	M 288
S 9	141 951 253 B	relay KL. XE		1	
S 10	141 951 253 B	relay fanfare		1	
S 12	431 951 253 G	relay	-98	1	( J )
S 12	141 951 253 B	relay	99-	1	( J )
S 13	996 615 101 00	relay fuel pump		1	
S 16	996 615 103 00	interval relay		1	

Model	Year	MG	SG	Illustration	Restrictions	Update	13:21	23.08.2006	PORSCHE	PET	PORSCHE
996	05	9	02	902-00		203					

Pos	Part Number	Name	Remarks	Qty	Model	Pos	Part Number	Name	Remarks	Qty	Model
S 18	141 951 253 B	relay heating		1		-	996 610 217 02	indication sticker fuse	00	X	
S 19	141 951 253 B	relay radiator fan 1 setting 1		1		-	996 610 217 04	indication sticker fuse	-02	X	
S 20	141 951 253 B	relay radiator fan 1 setting2		1		-	996 610 217 05	indication sticker fuse	03-	X	
S 21	141 951 253 B	relay radiator fan 2 setting 1		1		18	996 610 240 00	terminal clamp	01-	1	
S 22	141 951 253 B	relay radiator fan 2 setting2		1		19	999 657 006 90	relay	01-	1	
						20	999 650 538 40	plug socket 5-pole	01-	1	
11	996 610 210 00	cover		1		-	-	tip switch rear spoiler see group 9 / 03 / 05			
13	996 610 211 01	bracket		1		-	-	cover for housing fuse see group 8 / 07 / 02		X	
14	999 650 209 40	fuse holder		X							
15	999 650 210 40	slide		X							
16	999 607 004 00	fuse 5 A		X							
16 A	999 607 005 00	fuse 7 , 5 A		X		21	999 650 319 22	contact bridge 4-pole		X	
16	999 607 083 00	fuse 7 , 5 A		X		(21)	999 650 318 22	contact bridge 8-pole		X	
(16)	999 607 007 00	fuse 15 A		X		22	999 650 317 40	plug socket 8-pole		X	
(16) A	999 607 009 00	fuse 25 A		X		23	999 650 320 22	contact bush 2,8 / 0,75		X	
(16)	999 607 087 00	fuse 25 A		X		(23)	999 650 321 22	contact bush 2,8 / 2,5		X	
(16)	999 607 010 00	fuse 30 A		X							
(16) A	999 607 017 00	fuse 40 A		X							
(16)	999 607 089 00	fuse 40 A		X							
17	996 610 214 00	tool		X							
-	996 610 217 01	indication sticker fuse	-99	X							

Model	Year	MG	SG	Illustration	Restrictions	Update	13:21	23.08.2006	PORSCHE	PET	PORSCHE
996	05	9	02	902-01		203					



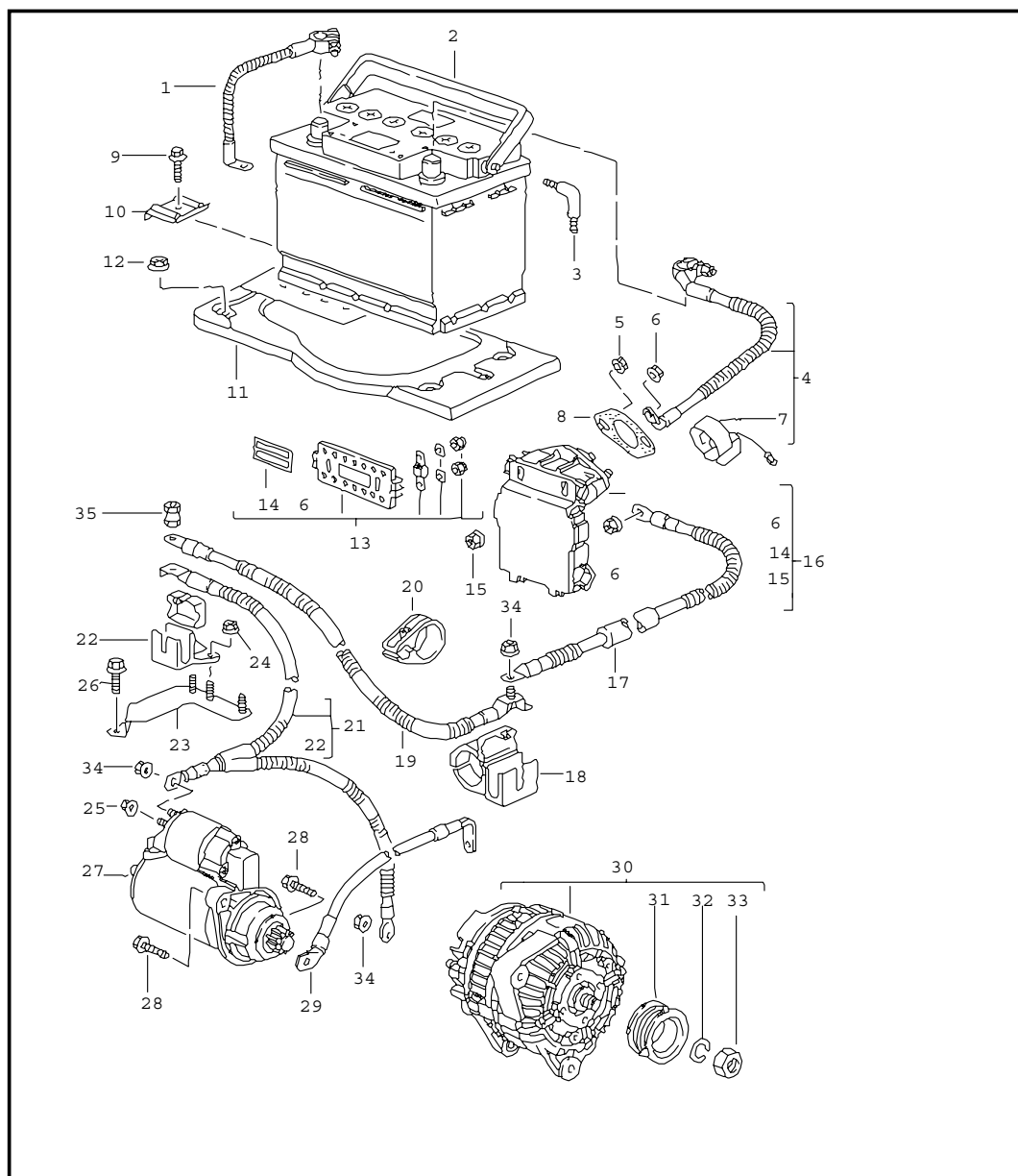
Pos	Part Number	Name	Remarks	Qty	Model
		central electrical system rear end			
1	996 610 129 00	plate	-00	1	COUPE
(1) A	996 610 129 01	plate	01-03	1	COUPE/TARGA
(1)	996 610 129 02	plate F >>995S6 00785	01-05	1	COUPE/TARGA
(1)	996 610 229 03	plate F 995S6 00786>>	05-	1	COUPE/TARGA
2	999 500 078 00	nut	-00	2	COUPE
3	900 075 413 09	screw M 6 X 16 Z2	-00	2	COUPE
(3)	999 084 629 09	hexagon nut M 6	01-	2	
4	900 380 015 09	hexagon nut M 6 F >>995S6 00785		2	
5	996 610 112 00	cable holder		X	
(5)	996 610 115 00	cable holder		X	CABRIO
6	996 610 111 00	relay carrier support frame		1	
7	996 610 126 00	support F >>995S6 00785	/R	1	
(7)	987 610 118 00	support F 995S6 00786>>	/R	1	
8	996 610 127 00	support F >>995S6 00785	/L	1	
(8)	987 610 117 00	support F 995S6 00786>>	/L	1	
-	996 610 128 00	fixing clip		2	CABRIO
9	928 610 511 00	relay carrier		X	
10	-	relay			
S 1	141 951 253 B	relay - dme -		1	
S 2	141 951 253 B	relay ignition		1	
S 3	996 615 102 00	relay spoiler		1	



Model	Year	MG	SG	Illustration	Restrictions	Update	13:21	23.08.2006	PORSCHE	PET	PORSCHE
996	05	9	02	902-01		203					

Pos	Part Number	Name	Remarks	Qty	Model	Pos	Part Number	Name	Remarks	Qty	Model
S 4	964 615 215 00	relay air conditioner		1	M 573						
S 5	996 615 112 00	relay rear window heating	02-	1	CABRIO						
S 7	996 615 110 00	relay starter		1							
S 8	141 951 253 B	relay blower engine compartment		1							
S 9	996 615 102 00	relay spoiler		1							
S 10	993 615 115 00	relay secondary pump		1	M 661						
11	999 650 193 40	fuse holder		1	M 661						
12	999 650 371 40	locking device		1	M 661						
-	999 650 194 22	contact bush		X	M 661						
- A	999 607 011 00	fuse 40 A		1	M 661						
-	999 607 073 00	fuse 40 A		1	M 661						
		- - - E N D - - -									

Model	Year	MG	SG	Illustration	Restrictions	Update	13:21	23.08.2006	PORSCHE	PET	PORSCHE
996	05	9	02	902-05		203					



Pos	Part Number	Name	Remarks	Qty	Model
		battery power distributor starter generator			
1	A 996 611 090 02	ground strap	/LL -03	1	
1	996 611 090 06	ground strap	/LL -03	1	
1	996 611 090 08	ground strap	/LL 04-	1	
(1)	A 996 611 091 01	ground strap	/RL -03	1	
(1)	996 611 091 05	ground strap	/RL -03	1	
(1)	996 611 091 06	ground strap	/RL 04-	1	
(2)	999 611 070 20	battery 70 AH		1	
2	999 611 080 20	battery 80 AH		1	
3	893 915 507	angled pipe		1	
4	A 996 612 090 00	cable battery power distributor	/LL -03	1	
4	A 996 612 090 05	cable battery power distributor	/LL 04	1	
4	996 612 090 09	cable battery power distributor	/LL	1	
(4)	A 996 612 090 01	cable battery power distributor	/RL -03	1	
(4)	A 996 612 090 06	cable battery power distributor	/RL 04	1	
(4)	996 612 090 10	cable battery power distributor	/RL	1	
5	900 380 005 09	hexagon nut VM 8		2	
6	900 084 030 02	hexagon nut M 8 for power distributor		2	

Model	Year	MG	SG	Illustration	Restrictions	Update	13:21	23.08.2006	PORSCHE	PET	PORSCHE
996	05	9	02	902-05		203					

Pos	Part Number	Name	Remarks	Qty	Model	Pos	Part Number	Name	Remarks	Qty	Model
7	996 610 309 00	protection cap terminal clamp power distributor		1		15	900 084 031 02	hexagon nut M 6 for power distributor		7	
8	996 610 302 00	flange gasket for power distributor		1		16	996 610 308 00	repair kit replacement power distributor comprising:		1	
9	900 378 017 09	hexagon-head bolt M 8 X 20		1		-	-	power distributor complete		1	
10	996 611 209 00	rail		1		15	900 084 031 02	hexagon nut M 6		7	
11	996 504 151 00	carrier plate for battery		1	M 338	6	900 084 030 02	hexagon nut M 8		2	
(11)	996 504 151 02	carrier plate for battery	99-	1	M 339	14	996 610 311 00	seal label red use also: POS. 8		2	
(11) A	996 504 151 03	carrier plate for battery	/RL 99-	1	M 339	17	996 612 091 11	cable power distributor connection point F >>991S6 03740 /LL F >>991S6 02976 /RL F >>991S6 42694 /LL F >>991S6 42142 /RL		1	COUPE COUPE CABRIO CABRIO
-	996 504 622 00	gasket carrier plate for battery		1	M 338	(17)	996 612 091 14	cable power distributor connection point F 991S6 03741>> /LL F 991S6 42695>> /LL		1	COUPE CABRIO
-	996 504 622 01	gasket carrier plate for battery	99-	1	M 339	(17)	996 612 091 15	cable power distributor connection point F 991S6 02977>> /RL F 991S6 42143>> /RL	-01	1	COUPE CABRIO
12	999 084 630 09	hexagon nut VM 8 SB		4		-	-	when required order also:			
13	996 610 306 00	repair kit replacement fuse element comprising:		1		-	996 610 187 00	cable holder F 991S6 03741>> /LL F 991S6 02977>> /RL F 991S6 42695>> /LL F 991S6 42143>> /RL		1	COUPE COUPE CABRIO CABRIO
-	-	fuse element 50 AMPERE		1		-	999 919 172 09	hexagon-head bolt 7,0 X14 F 991S6 03741>> /LL F 991S6 02977>> /RL F 991S6 42695>> /LL F 991S6 42143>> /RL		1	COUPE COUPE CABRIO CABRIO
-	-	fuse element 80 AMPERE		1							
-	-	hexagon nut M 5		4							
6	900 084 030 02	hexagon nut M 8		1							
-	-	intermediate layer		4							
-	-	cover blue		1							
14	996 610 311 00	seal label red		2							
14	996 610 311 00	seal label red		2							

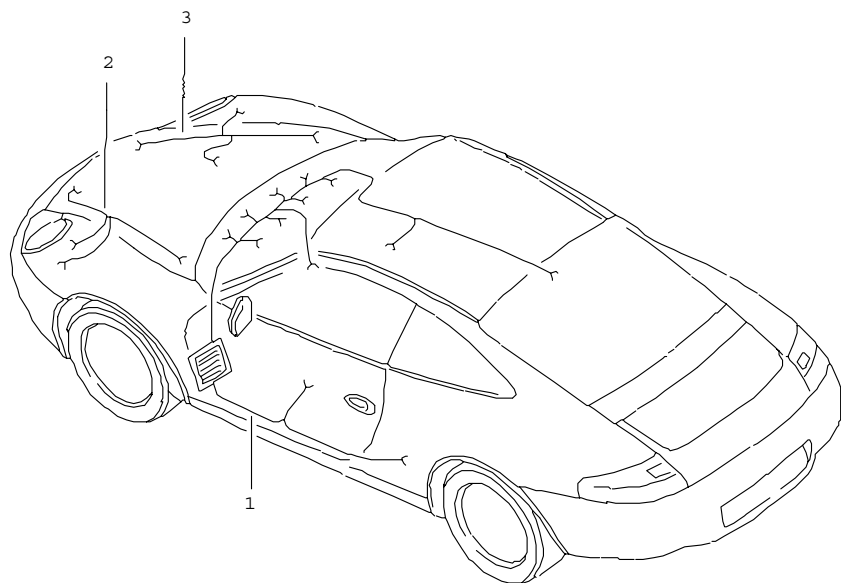
Model	Year	MG	SG	Illustration	Restrictions	Update	13:21	23.08.2006	PORSCHE	PET	PORSCHE
996	05	9	02	902-05		203					

Pos	Part Number	Name	Remarks	Qty	Model	Pos	Part Number	Name	Remarks	Qty	Model
(17)	996 612 091 12	cable power distributor connection point	/LL 02-	1		22	996 611 201 01	connection point complete		1	
(17)	996 612 091 13	cable power distributor connection point	/RL 02-	1		(23)	996 607 012 01	support connection point		1	
-	900 075 497 02	hexagon-head bolt M 5 X 10 Z2	02-	1		24	900 380 015 09	hexagon nut VM 6		3	
-	999 507 702 02	speed nut M 5	02-	1		25	900 377 010 09	hexagon nut M 6		1	
-	999 084 629 09	hexagon nut M 6	02-	1		26	900 378 035 09	hexagon-head bolt M 6 X 16		1	
18	996 611 310 00	connection point complete	-01	1		27	> 996 604 103 00	starter		1	
18	996 611 316 00	connection point complete	02-	1		28	900 378 101 09	hexagon-head bolt AM 10 X 35 M >> 664 08139 M >> 684 01577		2	
19	996 612 092 00	cable	-01	1		28	900 385 097 09	torx screw BM 10 X 35 M 664 08140 >> M 684 01578 >>		2	
19	996 612 092 01	cable	02-	1							X51
20	996 612 094 00	cable holder		4		29	996 607 030 00	ground strap engine body		1	
-	999 513 051 40	hose clamp	02-	1							
21	996 607 019 01	wiring harness with connection point generator starter M >> 663 09950 M >> 683 00734		1	X51	30	> 996 603 012 01	generator	-99	1	
21	A 996 607 019 02	wiring harness with connection point generator starter M 663 09951 >>M 664 12967 M 683 00735 >>M 684 02282		1	X51	(30)	> 996 603 012 03	generator with pulley without free wheel lock M >> 664 12967 M >> 684 02282	00-	1	M 249
21	996 607 019 03	wiring harness with connection point generator starter M 663 09951 >> M 683 00735 >>		1	X51	(30)	> 997 603 012 00	generator M 664 12968 >> M 684 02283 >> with pulley without free wheel lock		1	M 249 X51
-	999 650 312 40	protection cap wiring harness		1		(30)	> 996 603 012 02	generator with pulley free wheel lock M >> 664 12967 M >> 684 02282	00-	1	M 480 X51

Model	Year	MG	SG	Illustration	Restrictions	Update	13:21	23.08.2006	PORSCHE	PET	PORSCHE
996	05	9	02	902-05		203					

Pos	Part Number	Name	Remarks	Qty	Model	Pos	Part Number	Name	Remarks	Qty	Model
(30)	> 997 603 012 01	generator M 664 12968 >> M 684 02283 >> with pulley free wheel lock		1	M 480 X51			mounting parts generator			
-	999 650 166 40	plug socket		1		-	900 378 070 09	hexagon-head bolt M 10 X 30	-01	1	
-	999 652 694 12	connector		1		-	900 378 101 09	hexagon-head bolt AM 10 X 35 M >> 664 08139 M >> 684 01577	02-	1	X51
-	999 704 161 40	gasket		1		-	900 385 097 09	torx screw BM 10 X 35 M 664 08140 >> M 684 01578 >>		1	X51
31	A 996 603 151 54	pulley	-99	1		-	900 378 181 09	hexagon-head bolt M 10 X 145 M >> 664 08139 M >> 684 01577		1	X51
31	996 603 151 55	pulley without free wheel lock		1							
31	996 603 152 50	pulley with free wheel lock use also: 996.603.153.50	00-	1		-	900 385 092 04	torx screw BM 10 X 145 M 664 08140 >> M 684 01578 >>		1	X51
-	996 603 153 50	protection cap for pulley with free wheel lock		1		34	900 377 003 02	hexagon nut M 8		3	
32	N 012 016 1	lock ring B 16		1		35	999 076 069 02	hexagon nut M 8		1	
33	900 034 013 02	hexagon nut M 16 X 1,5		1				- - - E N D - - -			
-	996 603 113 00	protection cap for POS. 33 with pulley without free wheel lock	00-	1	M 249						
		mounting parts regulator generator									
-	000 043 204 22	oval-head screw M 4 X 19 micro-self-locking		2							
-	000 043 204 23	spring washer B4		2							

Model	Year	MG	SG	Illustration	Restrictions	Update	13:22	23.08.2006	PORSCHE	PET	PORSCHE
996	05	9	02	902-10		203					

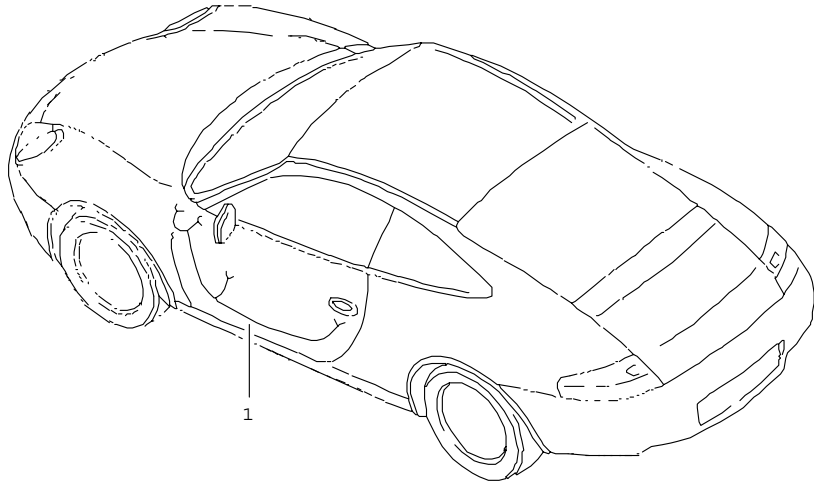


Pos	Part Number	Name	Remarks	Qty	Model
		harnesses passenger compartment glove compartment front trunk repair kit anti-lock brake system brake pad wear indicator front axle			
1	996 612 903 00	wiring harness passenger compartment vehicle identification no. indicate		1	
-	999 651 302 40	fixing clip wiring harness passenger compartment door sill		X	
-	999 651 284 40	fixing clip wiring harness passenger compartment door sill		X	
		connection point X 11 / 12			
-	999 652 931 40	connector		2	
-	999 652 570 22	contact pin 2,5 - 1		X	
-	999 652 571 22	contact pin 2,5 - 2,5		X	
-	999 652 932 40	connector 10-pole black		2	
-	999 652 923 40	cap black		2	
-	999 652 933 40	connector 10-pole white		2	
-	999 652 922 40	cap white		2	
-	999 652 921 40	locking device blue		4	
-	999 652 983 22	contact pin 0,63 - 0,5		X	
-	996 622 501 00	wiring harness glove compartment	02-	1	

Model	Year	MG	SG	Illustration	Restrictions	Update	13:22	23.08.2006	PORSCHE	PET	PORSCHE
996	05	9	02	902-10		203					

Pos	Part Number	Name	Remarks	Qty	Model	Pos	Part Number	Name	Remarks	Qty	Model
-	999 650 564 40	support microswitch	02-	1		-	996 612 951 00	repair kit wiring harness	/V/L 02-	1	M 338/M 476
-	999 650 565 40	support connector housing	02-	1		-	996 612 960 00	repair kit wiring harness	/V/L 02-	1	M 338
2	996 612 303 01	wiring harness front trunk	/L -99	1	M 573/M 659	-	996 612 957 00	repair kit wiring harness	/V/L	1	M 339
2	996 612 303 05	wiring harness front trunk	/L 00	1	M 573/M 659	-	996 612 952 00	repair kit wiring harness	/V/R -01	1	M 338
2	996 612 303 10	wiring harness front trunk	/L 01	1	M 573/M 659	-	996 612 952 00	repair kit wiring harness	/V/R 02-	1	M 338/M 476
2	996 612 303 15	wiring harness front trunk	/L 02-	1		-	996 612 961 00	repair kit wiring harness	/V/R 02-	1	M 338
2	996 612 313 00	wiring harness front trunk	/L 99	1	M 601/M 573 M 659	-	996 612 958 00	repair kit wiring harness	/V/R	1	M 339
2	996 612 313 05	wiring harness front trunk	/L 00	1	M 601/M 573 M 659			repair kit wiring harness rear axle see group 9 / 02 / 20			
2	996 612 313 10	wiring harness front trunk	/L 01	1	M 601/M 573 M 659						
2	996 612 313 15	wiring harness front trunk	/L 02-	1	M 601				- - - E N D - - -		
3	996 612 302 01	wiring harness front trunk	/R -01	1							
3	996 612 312 00	wiring harness front trunk	/R -01	1	M 601						
3	-	wiring harness front trunk is a component of wiring harness passenger compartment	/R 02-	1							
(3)	996 612 340 00	wiring harness	/LL 99	1	M 339/M 476						
(3)	996 612 341 00	wiring harness	/RL 99	1	M 339/M 476						
-	993 615 136 00	relay anti-lock brake system	99	2	M 339/M 476						
-	996 612 951 00	repair kit wiring harness	/V/L -01	1	M 338						

Model	Year	MG	SG	Illustration	Restrictions	Update	13:22	23.08.2006	PORSCHE	PET	PORSCHE
996	05	9	02	902-15		203					



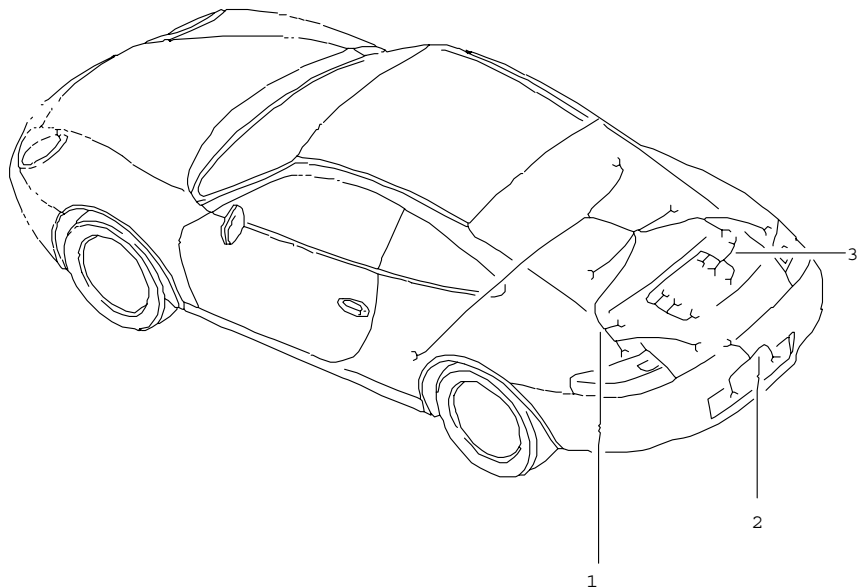
Pos	Part Number	Name	Remarks	Qty	Model
		harnesses driver's door passenger's door folding top control auxiliary support			CABRIO CABRIO
1	996 612 630 04	wiring harness driver's door	98	1	
1	996 612 630 05	wiring harness driver's door	99	1	
1	996 612 634 02	wiring harness driver's door	98	1	M 563
1	996 612 634 03	wiring harness driver's door	-00	1	M 563
1 A	996 612 634 10	wiring harness driver's door	01-03	1	
(1)	996 612 634 11	wiring harness driver's door	01-	1	
(1)	996 612 632 04	wiring harness passenger's door	98	1	
(1)	996 612 632 05	wiring harness passenger's door	99	1	
(1)	996 612 635 02	wiring harness passenger's door	98	1	M 563
(1)	996 612 635 03	wiring harness passenger's door	-00	1	M 563
(1) A	996 612 635 10	wiring harness passenger's door	01-03	1	
(1)	996 612 635 11	wiring harness passenger's door	01-	1	
		connection point X 11 / 12			
-	999 652 930 40	plug socket		2	
-	999 652 567 22	cylindrical connector 2,5 - 1		X	
-	999 652 568 22	cylindrical connector 2,5 - 2,5		X	
-	999 652 927 40	plug socket 10-pole white		2	



Model	Year	MG	SG	Illustration	Restrictions	Update	13:22	23.08.2006	PORSCHE	PET	PORSCHE
996	05	9	02	902-15		203					

Pos	Part Number	Name	Remarks	Qty	Model	Pos	Part Number	Name	Remarks	Qty	Model
-	999 652 924 40	cap white		2							
-	999 652 928 40	plug socket 10-pole black		2							
-	999 652 925 40	cap black		2							
-	999 652 921 40	locking device blue		4							
-	999 652 901 22	connector 0,63 - 0,5		X							
		mount wiring harness doors									
-	996 610 320 01	cable guide		2	M 273						
-	999 703 470 40	cable clamp		2	M 273						
-	999 507 627 02	cable clamp		2							
-	996 610 141 01	rubber boot a-pillar		2							
-	996 610 144 00	frame reinforcement rubber boot a-pillar		2							
		mount connection point a-pillar									
-	999 919 123 09	oval-head screw 5 X 20		2							
-	999 507 649 40	expansion rivet 4,8		2							
-	996 610 321 00	cable holder door arrester		2							
-	-	wiring harness folding top control see group 8/11/07		1	CABRIO						
-	-	wiring harness auxiliary support see group 8/11/15		1	CABRIO						
		- - - E N D - - -									

Model	Year	MG	SG	Illustration	Restrictions	Update	13:22	23.08.2006	PORSCHE	PET	PORSCHE
996	05	9	02	902-20		203					



Pos	Part Number	Name	Remarks	Qty	Model
		harnesses rear end additional stoplamp license plate light engine transmission repair kit anti-lock brake system brake pad wear indicator rear axle			CABRIO  M 249
1	996 612 905 00	wiring harness rear end vehicle identification no. indicate		1	
-	996 612 507 02	wiring harness additional stoplamp		1	CABRIO M 602
-	996 423 101 00	protective tube for wiring harness		1	CABRIO M 602
2	996 612 060 00	wiring harness license plate light	-01	1	CARRERA
2	996 612 062 00	wiring harness license plate light	02-	1	CARRERA
(2)	996 612 061 00	wiring harness license plate light	-01	1	CARRERA M 635
(2)	996 612 064 00	wiring harness license plate light	02-	1	CARRERA M 635
2	996 612 060 00	wiring harness license plate light	02-	1	CARRERA 4 S
(2)	996 612 063 00	wiring harness license plate light	02-	1	CARRERA 4 S M 635
-	999 650 013 40	fixing clip connection point wiring harness license plate light		1	
3	996 607 002 04	wiring harness engine	-99	1	M 480
3	996 607 010 04	wiring harness engine	99	1	M 480/620
3	996 607 010 05	wiring harness engine	-01	1	M 480/660
3	996 607 010 08	wiring harness engine	-01	1	M 480

Model	Year	MG	SG	Illustration	Restrictions	Update	13:22	23.08.2006	PORSCHE	PET	PORSCHE
996	05	9	02	902-20		203					

Pos	Part Number	Name	Remarks	Qty	Model	Pos	Part Number	Name	Remarks	Qty	Model
(3)	996 607 002 06	wiring harness engine	-99	1	M 249			repair kit wiring harness			
(3)	996 607 010 06	wiring harness engine	99	1	M 249/620			anti-lock brake system brake pad wear indicator rear axle			
(3)	996 607 010 07	wiring harness engine	-01	1	M 249/660	-	996 612 953 01	repair kit wiring harness	/H/L -01	1	
(3)	996 607 010 09	wiring harness engine	-01	1	M 249	-	996 612 953 01	repair kit wiring harness	/H/L 02-	1	M 476
(3)	996 607 010 10	wiring harness engine	02	1	M 96.03	-	996 612 964 00	repair kit wiring harness	/H/L 02-	1	
(3) A	996 607 010 15	wiring harness engine	03	1	M 96.03	-	996 612 954 01	repair kit wiring harness	/H/R -01	1	
(3)	996 607 010 16	wiring harness engine	03-	1	M 96.03	-	996 612 954 01	repair kit wiring harness	/H/R 02-	1	M 476
(3)	996 612 401 00	wiring harness transmission	02-	1	M 249	-	996 612 965 00	repair kit wiring harness	/H/R 02-	1	
-	999 507 752 40	cable holder for wiring harness transmission	02-	1	M 249			repair kit wiring harness front axle see group 9 / 20 / 10			
-	999 591 746 02	cable holder for wiring harness transmission	02-	3	M 249						
-	999 507 729 40	cable strap 8 - 50 water tube supply right		1							
-	999 507 730 40	cable strap 8 - 33 wiring harness engine		1							
- A	996 607 101 01	support connection point wiring harness engine	-03	1							
-	996 607 101 02	support connection point wiring harness engine		1							
-	996 607 102 00	support wiring harness engine		1							

- - - E N D - - -

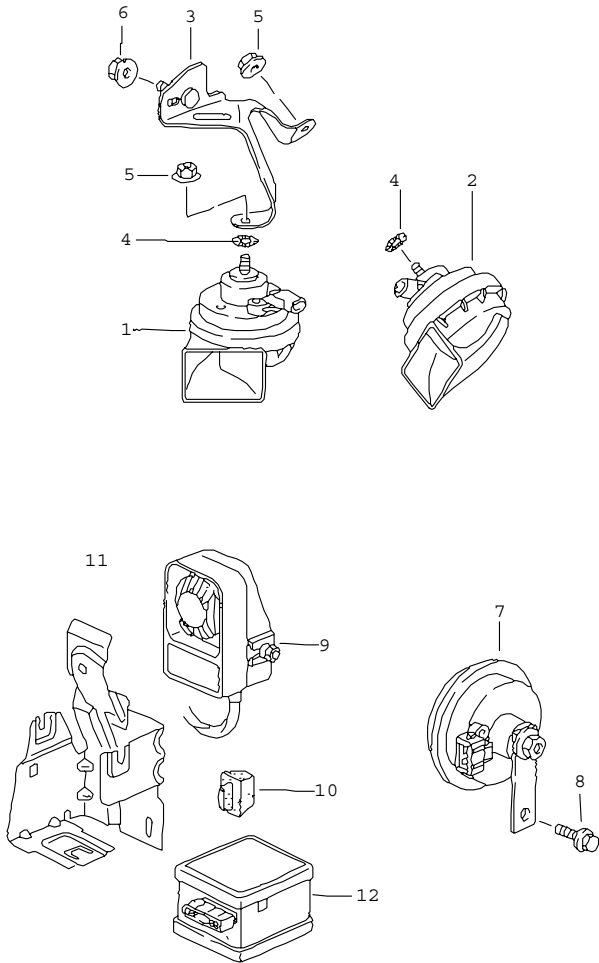
Model	Year	MG	SG	Illustration	Restrictions	Update	13:22	23.08.2006
996	05	9	02	902-50		203		

Pos	Part Number	Name	Remarks	Qty	Model
		optical waveguide	03-		
-	996 622 702 00	optical waveguide module	/LL	1	M 666
-	996 622 722 00	optical waveguide module	/RL	1	M 666
-	996 622 704 00	optical waveguide module	/LL	1	M 338/M 490/M 680
-	996 622 724 00	optical waveguide module	/RL	1	M 338/M 490/M 680
-	996 622 701 00	optical waveguide module	/LL	1	M 339/M 490/M 680
-	996 622 721 00	optical waveguide module	/RL	1	M 339/M 490/M 680
-	996 622 706 00	optical waveguide module	/LL	1	M 338/M 692
-	996 622 726 00	optical waveguide module	/RL	1	M 338/M 692
-	996 622 729 00	optical waveguide module	/LL	1	M 339/M 692
-	996 622 709 00	optical waveguide module	/RL	1	M 339/M 692
-	996 622 716 00	optical waveguide module	/LL	1	M 338/M 666/M 692
-	996 622 736 00	optical waveguide module	/RL	1	M 338/M 666/M 692
-	996 622 739 00	optical waveguide module	/LL	1	M 339/M 666/M 692
-	996 622 719 00	optical waveguide module	/RL	1	M 339/M 666/M 692
-	996 622 703 00	optical waveguide module	/LL	1	M 338/M 490/M 666/M 680
-	996 622 723 00	optical waveguide module	/RL	1	M 338/M 490/M 666/M 680
-	996 622 707 00	optical waveguide module	/LL	1	M 339/M 490/M 666/M 680
-	996 622 727 00	optical waveguide module	/RL	1	M 339/M 490/M 666/M 680
-	996 622 705 00	optical waveguide module	/LL	1	M 338/M 490/M 680/M 692
-	996 622 725 00	optical waveguide module	/RL	1	M 338/M 490/M 680/M 692

Model	Year	MG	SG	Illustration	Restrictions	Update	13:22	23.08.2006
996	05	9	02	902-50		203		

Pos	Part Number	Name	Remarks	Qty	Model
-	996 622 708 00	optical waveguide module	/LL	1	M 339/M 490/ M 680/M 692
-	996 622 728 00	optical waveguide module	/RL	1	M 339/M 490/ M 680/M 692
-	996 622 715 00	optical waveguide module	/LL	1	M 338/M 490/ M 666/M 680/ M 692
-	996 622 745 00	optical waveguide module	/RL	1	M 338/M 490/ M 666/M 680/ M 692
-	996 622 718 00	optical waveguide module	/LL	1	M 339/M 490/ M 666/M 680/ M 692
-	996 622 738 00	optical waveguide module	/RL	1	M 339/M 490/ M 666/M 680/ M 692
-	996 610 122 00	support connection point luggage compartment		1	
-	999 507 804 40	expander nut for support		1	
-	996 610 132 00	cable guide t-piece luggage compartment		1	
- - - E N D - - -					

Model	Year	MG	SG	Illustration	Restrictions	Update	13:22	23.08.2006	PORSCHE	PET	PORSCHE
996	05	9	03	903-00		203					

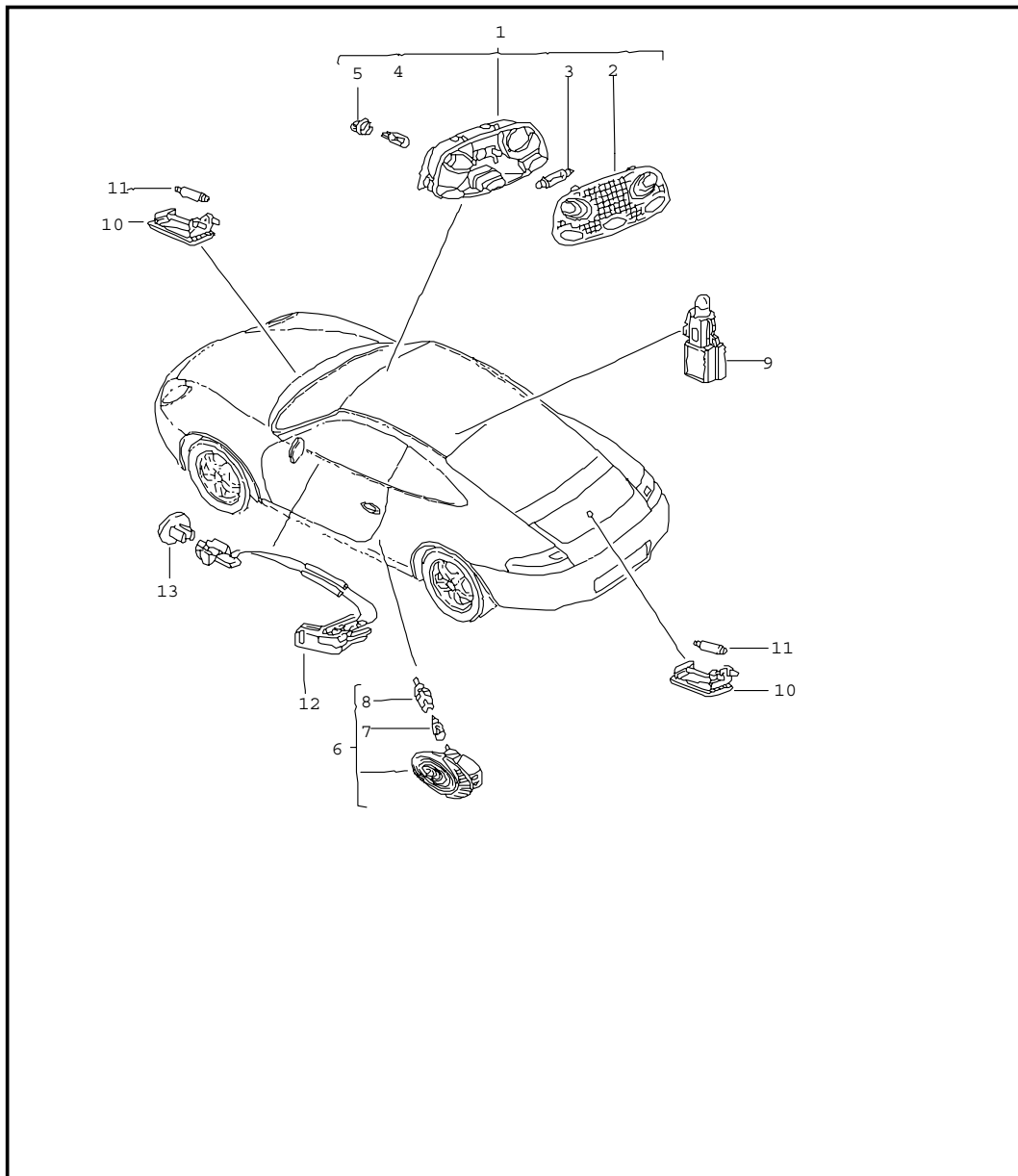


Pos	Part Number	Name	Remarks	Qty	Model
		fanfare horn alarm system			M 536
1	A 996 635 206 03	fanfare high-pitched	-03	1	
1	996 635 206 04	fanfare high-pitched		1	
2	A 996 635 205 03	fanfare low-pitched	-03	1	
2	996 635 205 04	fanfare low-pitched		1	
-	999 650 490 40	plug socket		2	
-	999 650 135 22	connector		4	
-	999 650 126 40	gasket		4	
3	996 635 150 00	support		1	
4	N 042 121 3	shake-proof washer A 6,4		2	
5	900 380 015 09	hexagon nut M 6		2	
6	900 377 003 02	hexagon nut M 8		1	
7	A 996 637 117 01	horn for alarm system	-04	1	
7	996 637 117 02	horn for alarm system		1	
8	900 075 459 09	screw M 6 X 12 Z2		1	
9	A 996 618 237 03	alarm siren	-04	1	M 536
9	996 618 237 04	alarm siren		1	M 536
-	999 652 946 40	plug socket 3-pole		1	
-	999 650 126 40	gasket		X	
-	999 650 127 40	gasket		X	
-	999 652 934 22	contact bush 0,63 - 0,5		X	

Model	Year	MG	SG	Illustration	Restrictions	Update	13:22	23.08.2006	PORSCHE	PET	PORSCHE
996	05	9	03	903-00		203					

Pos	Part Number	Name	Remarks	Qty	Model	Pos	Part Number	Name	Remarks	Qty	Model
10	999 703 459 40	rubber mounting		1	M 536						
11	996 637 420 01	support	/LL	1	M 536						
(11)	996 637 419 01	support	/RL	1	M 536						
12	A 996 618 265 00	tilt sensor see technical manual GR.9 / 96 64 32 use also:	-01	1	M 536						
-	996 622 904 00	wiring harness		1							
-	999 650 335 40	plug socket 6-pole	-01	1	M 536						
-	999 652 775 22	contact bush 2,5 - 1	-01	X	M 536						
(12)	996 618 265 01	tilt sensor	02-	1	M 536						
-	996 637 421 00	support tilt sensor	02-	1	M 536						
-	900 378 179 09	hexagon-head bolt M 6 X 16	02-	1	M 536						
-	999 500 078 00	sheetmetal press nut M 6	02-	1	M 536						
		- - - E N D - - -									

Model	Year	MG	SG	Illustration	Restrictions	Update	13:23	23.08.2006	PORSCHE	PET	PORSCHE
996	05	9	03	903-04		203					



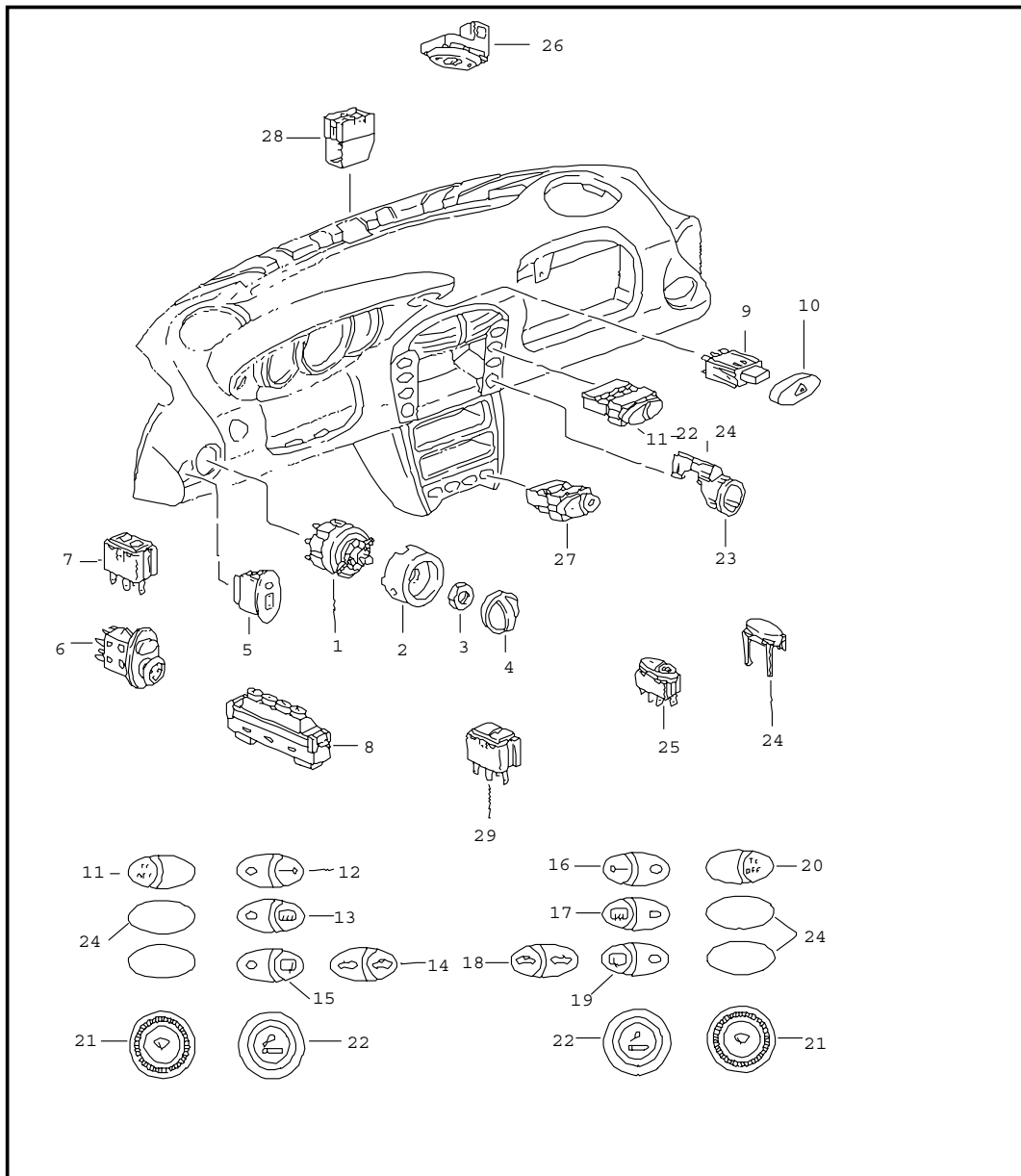
Pos	Part Number	Name	Remarks	Qty	Model
		interior lights luggage boot lamp engine compartment lamp glove compartment light floor light combined lights door opener			XX2
1	996 632 051 01	interior light	-00	1	
1	996 632 053 01	interior light	01	1	
1	996 632 053 10	interior light	02-	1	
1	996 632 051 01	interior light	01	1	M 265
1	996 632 051 10	interior light	02-	1	M 265
2	996 632 151 00	lens	-00	1	
2	996 632 153 00	lens	01	1	
2	996 632 153 10	lens	02-	1	
2	996 632 151 00	lens	01-	1	M 265
3	900 631 106 90	bulb 10 W		1	
4	999 631 134 90	bulb 6 W		2	
5	999 632 018 00	bulb holder		2	
6	996 632 132 01	door guard light		2	
6	996 632 135 00	light tray luggage	02-	2	TARGA
7	999 631 032 90	bulb 5 W		2	
8	161 949 111	bulb holder		2	
9	996 632 113 00	ashtray light		1	
		luggage boot lamp engine compartment lamp floor light			XX2
10	A 959 632 201 00	light		2	
10	997 632 201 00	light		2	
-	815 971 989 B	plug socket		2	
-	N 017 490 6	connector		4	



Model	Year	MG	SG	Illustration	Restrictions	Update	13:23	23.08.2006	PORSCHE	PET	PORSCHE
996	05	9	03	903-04		203					

Pos	Part Number	Name	Remarks	Qty	Model	Pos	Part Number	Name	Remarks	Qty	Model
-	996 632 980 00	support floor light		2	XX2						
(10)	928 632 101 00	glove compartment light	02-	1							
11	900 631 106 90	linolite lamp 10 W		2							
(11)	999 631 018 90	linolite lamp 3 W glove compartment light	02-	1							
-	999 631 137 90	bulb 3 W make-up mirror		4	M 274						
12	996 632 121 02	combined lights driver's door door opener ignition starter lock	/LL 01-	1							
(12)	996 632 124 02	combined lights driver's door door opener ignition starter lock	/RL 01-	1							
(12)	996 632 122 02	combined lights passenger's door door opener	/LL 01-	1							
(12)	996 632 123 02	combined lights passenger's door door opener	/RL 01-	1							
13	996 632 125 00	rose driver's door combined lights ignition starter lock	/LL 01-	1							
(13)	996 632 126 00	rose driver's door combined lights ignition starter lock	/RL 01-	1							
		- - - E N D - - -									

Model	Year	MG	SG	Illustration	Restrictions	Update	13:23	23.08.2006	PORSCHE	PET	PORSCHE
996	05	9	03	903-05		203					



Pos	Part Number	Name	Remarks	Qty	Model
		switch			
1	996 613 535 00	light switch		1	
-	999 650 346 40	terminal sleeve housing		1	
-	999 650 343 40	cover		1	
-	999 652 437 12	connector \$ 4,0		X	
-	999 652 351 22	connector \$ 2,5		X	
2	996 613 631 01	headlight unit	/LL	1	
(2)	996 613 632 01	headlight unit	/RL	1	
-	999 652 972 40	plug socket		1	
-	999 652 973 40	cap		1	
-	999 652 901 22	connector		5	
3	999 034 030 09	hexagon nut M 16 X 1		1	
4	996 613 533 01	rotary knob	-01	1	
		A01 gloss black			
4	996 613 533 10	rotary knob	02-	1	
		A05 black mat			
5	996 613 230 01	potentiometer	-00	1	M 605
		A01 gloss black headlight levelling system			
6	996 613 241 00	switch		1	M 273
		01C satin black door mirror			
(6)	996 613 980 01	switch door mirror leather	01-	1	XTJ/XTK/XTL/ XTR
		A11 black			
		C51 graphite grey			
		S31 savanna			
		G11 metropole blue			
		J31 nephrite green			

Model	Year	MG	SG	Illustration	Restrictions	Update	13:23	23.08.2006	PORSCHE	PET	PORSCHE
996	05	9	03	903-05		203					

Pos	Part Number	Name	Remarks	Qty	Model	Pos	Part Number	Name	Remarks	Qty	Model
	M31	boxster red				-	999 650 107 40	plug socket		1	
	P12	cinnamon brown				-	999 650 103 12	connector		5	
	D12	dark grey/natural				12	996 613 144 00	tip switch	/LL -01	1	
	T12	brown/natural					A02	gloss black central locking system			
-	993 612 501 00	plug socket		1		12	996 613 144 10	tip switch	/LL 02-	1	
-	N 903 352 04	connector		5			A05	black mat central locking system			
-	999 652 790 12	cylindrical connector		2		-	999 650 107 40	plug socket		1	
7	996 613 102 00	tip switch rear spoiler		1		-	999 650 330 00	connector		5	
-	999 650 035 40	plug socket		1		13	996 613 134 00	tip switch	/LL -01	1	
-	999 650 330 00	connector		5			A02	gloss black heating rear window door mirror			
8	996 613 103 01	memory switch	-01	1	M 537/ M 538	13	996 613 134 10	tip switch	/LL 02-	1	
(8)	996 613 103 02	memory switch	02-	1	M 537/ M 538		A05	black mat heating rear window door mirror			
9	996 613 120 01	hazard warning light sw.		1		-	999 650 110 40	plug socket		1	
10	996 613 121 00	adjusting lever	-01	1		-	999 650 103 12	connector		5	
	A02	gloss black				14	996 613 138 00	tip switch	/LL -01	1	CABRIO
10	996 613 121 10	adjusting lever	02-	1			A02	gloss black folding top control			
	A05	black mat				14	996 613 138 10	tip switch	/LL 02-	1	CABRIO
-	999 650 191 40	plug socket		1			A05	black mat folding top control			
-	999 650 192 40	locking device		1		-	999 650 111 40	plug socket		1	
-	999 652 475 22	connector		9		-	999 650 330 00	connector		5	
-	-	rose hazard warning light sw. see group 8 / 09 / 00		X		15	996 613 136 00	tip switch	/LL -01	1	M 425
11	996 613 141 00	tip switch	/LL -99	1	M 222		A02	gloss black rear window wiper			
	A02	gloss black				15	996 613 136 10	tip switch	/LL 02-	1	M 425
(11)	996 613 145 00	tip switch	/LL -01	1	M 476						
	A02	gloss black									
(11)	996 613 145 10	tip switch	/LL 02-	1	M 476						
	A05	black mat									

Model	Year	MG	SG	Illustration	Restrictions	Update	13:23	23.08.2006	PORSCHE	PET	PORSCHE
996	05	9	03	903-05		203					

Pos	Part Number	Name	Remarks	Qty	Model	Pos	Part Number	Name	Remarks	Qty	Model
	A05	black mat rear window wiper				19	996 613 135 10	tip switch	/RL 02-	1	M 425
-	999 650 111 40	plug socket		1			A05	black mat rear window wiper			
-	999 650 330 00	connector		5		-	999 650 111 40	plug socket		1	
16	996 613 143 00	tip switch	/RL -01	1		-	999 650 330 00	connector		5	
	A02	gloss black central locking system				20	996 613 142 00	tip switch	/RL -99	1	M 222
16	996 613 143 10	tip switch	/RL 02-	1			A02	gloss black			
	A05	black mat central locking system				(20)	996 613 146 00	tip switch	/RL -01	1	M 476
-	999 650 107 40	plug socket		1			A02	gloss black			
-	999 650 330 00	connector		5		(20)	996 613 146 10	tip switch	/RL 02-	1	M 476
17	996 613 133 00	tip switch	/RL -01	1			A05	black mat			
	A02	gloss black heating rear window door mirror				-	999 650 107 40	plug socket		1	
17	996 613 133 10	tip switch	/RL 02-	1		-	999 650 103 12	connector		5	
	A05	black mat heating rear window door mirror				21	996 613 115 00	potentiometer	-01	1	
-	999 650 110 40	plug socket		1			A02	gloss black wipe interval			
-	999 650 103 12	connector		5		21	996 613 115 10	potentiometer	02-	1	
18	996 613 137 00	tip switch	/RL -01	1	CABRIO		A05	black mat wipe interval			
	A02	gloss black folding top control				21	996 613 127 00	potentiometer	01	1	M 265
18	996 613 137 10	tip switch	/RL 02-	1	CABRIO		A02	gloss black wipe interval			
	A05	black mat folding top control				21	996 613 127 10	potentiometer	02-	1	M 265
-	999 650 111 40	plug socket		1			A05	black mat wipe interval			
-	999 650 330 00	connector		5		22	996 652 101 00	cigarette lighter	-01	1	
19	996 613 135 00	tip switch	/RL -01	1	M 425	22	996 652 101 10	cigarette lighter	02-	1	
	A02	gloss black rear window wiper					A05	black mat			
						-	999 650 284 40	plug socket		1	
						-	999 652 735 12	connector		3	
						(22)	996 652 103 00	socket		1	M 580
							A01	gloss black			

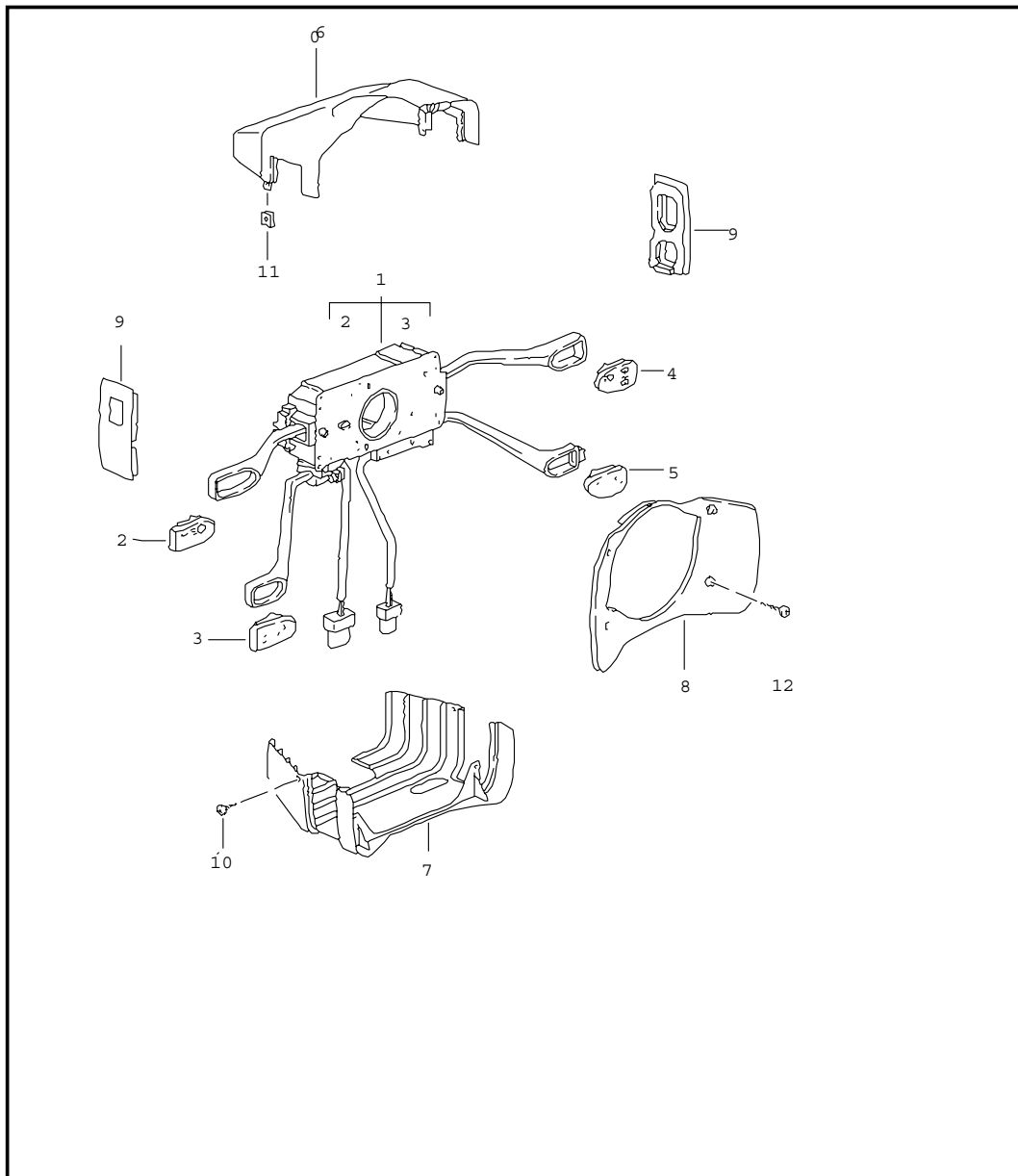
Model	Year	MG	SG	Illustration	Restrictions	Update	13:23	23.08.2006	PORSCHE	PET	PORSCHE
996	05	9	03	903-05		203					

Pos	Part Number	Name	Remarks	Qty	Model	Pos	Part Number	Name	Remarks	Qty	Model
23	996 652 102 01	headlight unit	-01	1			A02	gloss black sunroof			
23	996 652 102 10	headlight unit	02-	1		26	996 613 147 10	tip switch	02-	1	M 650
(23)	996 652 104 00	tensioning sleeve		1	M 580		A05	black mat sunroof			
24	996 552 425 00	cover	-99	X		27	996 613 153 00	tip switch	/L -01	1	M 139
	A01	gloss black					A02	gloss black seat heater			
(24)	986 613 425 00	cover	-01	X		(27)	996 613 154 00	tip switch	/R -01	1	M 340
	A01	gloss black switch display specimen					A02	gloss black seat heater			
(24)	996 613 425 10	cover	02-	X		27	996 613 153 10	tip switch	/L -02 /L 03-	1	M 139 M 342
	A05	black mat switch display specimen					A05	black mat seat heater			
(24)	996 613 980 06	tip switch	02-	1	XX2	(27)	996 613 154 10	tip switch	/R -02 /R 03-	1	M 340 M 342
	A05	black mat floor light					A05	black mat seat heater			
(24)	996 613 987 10	tip switch		1	XLF	-	999 650 109 40	plug socket	/L	1	
	A05	black mat	/LL /RL		COUPE/TARGA CABRIO	-	999 650 330 00	connector	/L	5	
(24)	996 613 988 10	tip switch		1	XLF	-	999 650 035 40	plug socket	/R	1	
	A05	black mat	/LL /RL		CABRIO COUPE/TARGA	-	999 650 330 00	connector	/R	5	
25	996 613 151 00	tip switch	-01	2	COUPE	(27)	996 613 157 10	tip switch	02-	1	TARGA
	A02	gloss black power windows	-01		CABRIO		A05	black mat glass roof			
25	996 613 151 10	tip switch	02-	2	COUPE	(27)	996 613 119 10	tip switch	02-	1	TARGA
	A05	black mat power windows	02-		CABRIO		A05	black mat shade			
-	999 650 109 40	plug socket	/L	1		28	996 653 251 00	light alarm system with sensor		1	M 534, M 535, M 573
-	999 650 330 00	connector	/L	5			-	999 650 221 40	plug socket	1	
-	999 650 035 40	plug socket	/R	1		29	996 613 105 10	tip switch	01-	1	
-	999 650 330 00	connector	/R	5							
26	996 613 147 00	tip switch	-01	1	M 650						

Model	Year	MG	SG	Illustration	Restrictions	Update	13:23	23.08.2006	PORSCHE	PET	PORSCHE
996	05	9	03	903-05		203					

Pos	Part Number	Name	Remarks	Qty	Model	Pos	Part Number	Name	Remarks	Qty	Model
	A05	black mat cover front									
(29)	996 613 106 10	tip switch	01-	1							
	A05	black mat cover rear									
(29)	996 613 107 10	tip switch	02-	1	TARGA						
	A05	black mat rear lid unlocking device									
		- - - E N D - - -									

Model	Year	MG	SG	Illustration	Restrictions	Update	13:23	23.08.2006	PORSCHE	PET	PORSCHE
996	05	9	03	903-10		203					



Pos	Part Number	Name	Remarks	Qty	Model
1	996 613 219 10	steering column switch		1	M 454/659
	EWC	black mat/satin black			
1	996 613 217 10	steering column switch		1	M 454
	EWC	black mat/satin black			
1	996 613 215 10	steering column switch		1	M 659
	EWC	black mat/satin black			
1	996 613 213 10	steering column switch		1	
	EWC	black mat/satin black			
-	999 652 640 40	plug socket	/L	1	
-	999 652 639 22	contact bush	/L	X	
-	999 652 641 40	plug socket	/R	1	
-	999 652 639 22	contact bush	/R	X	
-	999 650 056 40	plug socket		1	M 659
-	999 650 057 40	cap		1	M 659
-	999 652 901 22	contact bush		X	M 659
-	999 652 972 40	plug socket		1	M 454
-	999 652 973 40	cap		1	M 454
-	999 652 901 22	contact bush		X	M 454
2	996 613 509 00	cap with symbol	-01	1	
	A01	gloss black direction indicator light high beam			
2	996 613 509 10	cap with symbol	02-	1	
	A05	black mat direction indicator light high beam			
3	996 613 503 01	cap with symbol	-01	1	M 659
	A01	gloss black			
3	996 613 503 10	cap with symbol	02-	1	M 659

Model	Year	MG	SG	Illustration	Restrictions	Update	13:23	23.08.2006	PORSCHE	PET	PORSCHE
996	05	9	03	903-10		203					

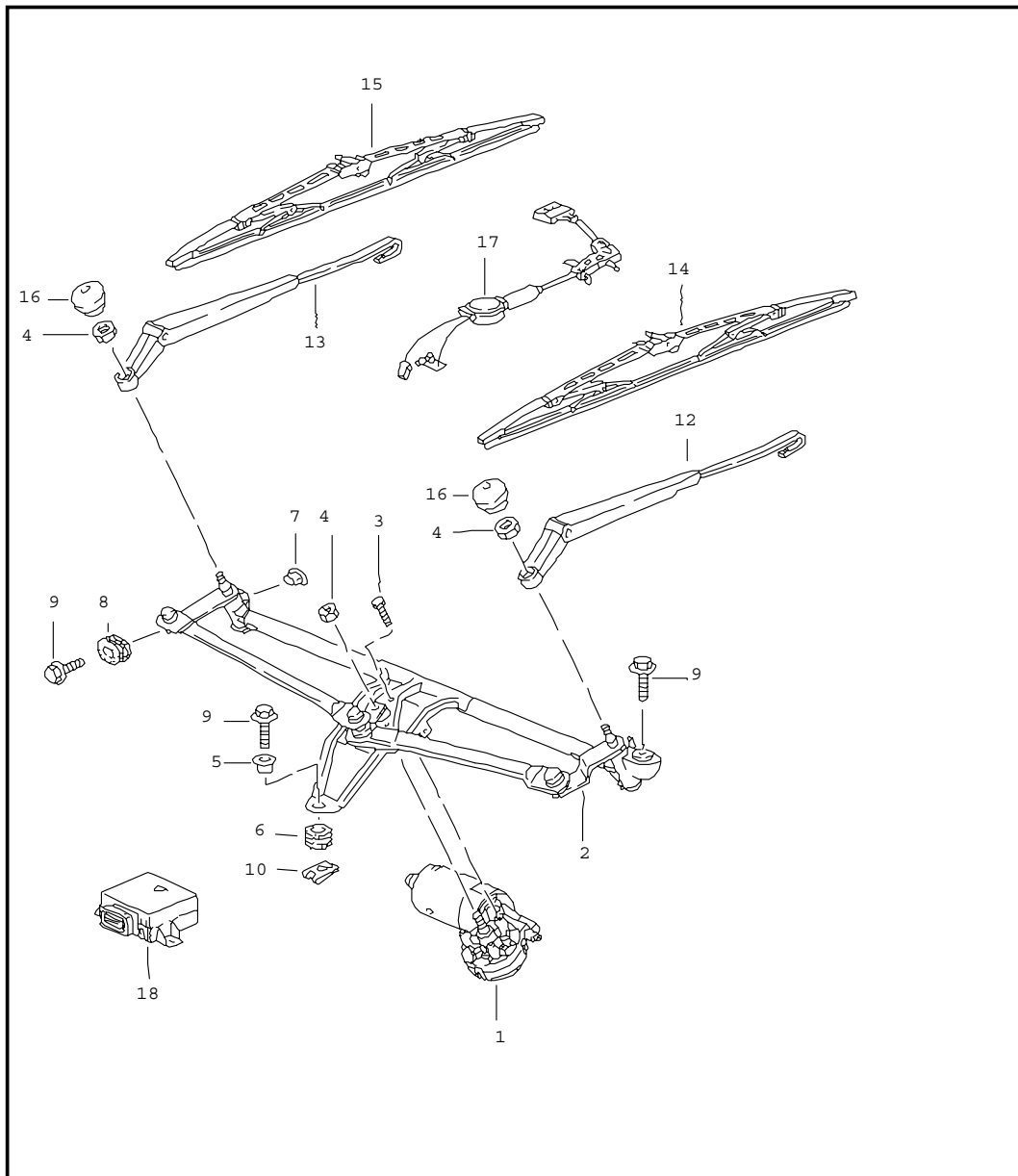
Pos	Part Number	Name	Remarks	Qty	Model	Pos	Part Number	Name	Remarks	Qty	Model
	A05	black mat					G10	metropole blue	-99		
4	996 613 507 00	cap with symbol	-01	1	M 288		S30	savanna	-99		
	A01	gloss black					A03	black	00-		
4	996 613 507 10	cap with symbol	02-	1	M 288		B13	space grey	00-		
	A05	black mat					C53	graphite grey	00-		
(4)	996 613 508 00	cap with symbol	-01	1			G13	metropole blue	00-		
	A01	gloss black					J33	nephrite green	00-		
(4)	996 613 508 10	cap with symbol	02-	1			M33	boxster red	00-		
	A05	black mat					S33	savanna	00-		
5	996 613 504 00	cap with symbol	-01	1	M 454		P13	cinnamon brown	01-		
	A01	gloss black german				7	996 552 275 02	switch housing	-99	1	
5	996 613 504 10	cap with symbol	02-	1	M 454		01C	satin black			
	A05	black mat german				7	996 552 275 03	switch housing lacquered		1	
(5)	996 613 505 00	cap with symbol	-01	1	M 454		B50	space grey	-99		
	A01	gloss black english					C50	graphite grey	-99		
(5)	996 613 505 10	cap with symbol	02-	1	M 454		G10	metropole blue	-99		
	A05	black mat english					S30	savanna	-99		
(5)	996 613 506 00	cap with symbol	-01	1	M 454		A03	black	00-		
	A01	gloss black french					B13	space grey	00-		
(5)	996 613 506 10	cap with symbol	02-	1	M 454		C53	graphite grey	00-		
	A05	black mat french					G13	metropole blue	00-		
6	996 552 273 00	switch housing	-99	1			J33	nephrite green	00-		
	01C	satin black					M33	boxster red	00-		
6	996 552 273 01	switch housing lacquered		1			S33	savanna	00-		
	B50	space grey	-99				P13	cinnamon brown	01-		
	C50	graphite grey	-99			-	996 610 206 00	support for connector housing		1	
						8	993 552 277 00	cover	-99	1	
							01C	satin black			



Model	Year	MG	SG	Illustration	Restrictions	Update	13:23	23.08.2006	PORSCHE	PET	PORSCHE
996	05	9	03	903-10		203					

Pos	Part Number	Name	Remarks	Qty	Model	Pos	Part Number	Name	Remarks	Qty	Model
8	996 552 277 00	cover lacquered		1							
	B50	space grey	-99								
	C50	graphite grey	-99								
	G10	metropole blue	-99								
	S30	savanna	-99								
	A03	black	00-								
	B13	space grey	00-								
	C53	graphite grey	00-								
	G13	metropole blue	00-								
	J33	nephrite green	00-								
	M33	boxster red	00-								
	S33	savanna	00-								
	P13	cinnamon brown	01-								
9	993 552 573 00	cover		X							
	01C	satin black									
				1	M 454						
				1	M 659						
(9)	993 552 573 01	cover		X							
	01C	satin black									
					M 454/659						
					M 454						
					M 659						
10	900 143 002 07	tapping screw B 2,9 X 9,5		2							
11	999 591 888 02	speed nut B 2,9		2							
12	900 143 072 02	oval-head sheetmetal screw B 3,5 X 19		4							
		- - - E N D - - -									

Model	Year	MG	SG	Illustration	Restrictions	Update	13:23	23.08.2006	PORSCHE	PET	PORSCHE
996	05	9	04	904-00		203					

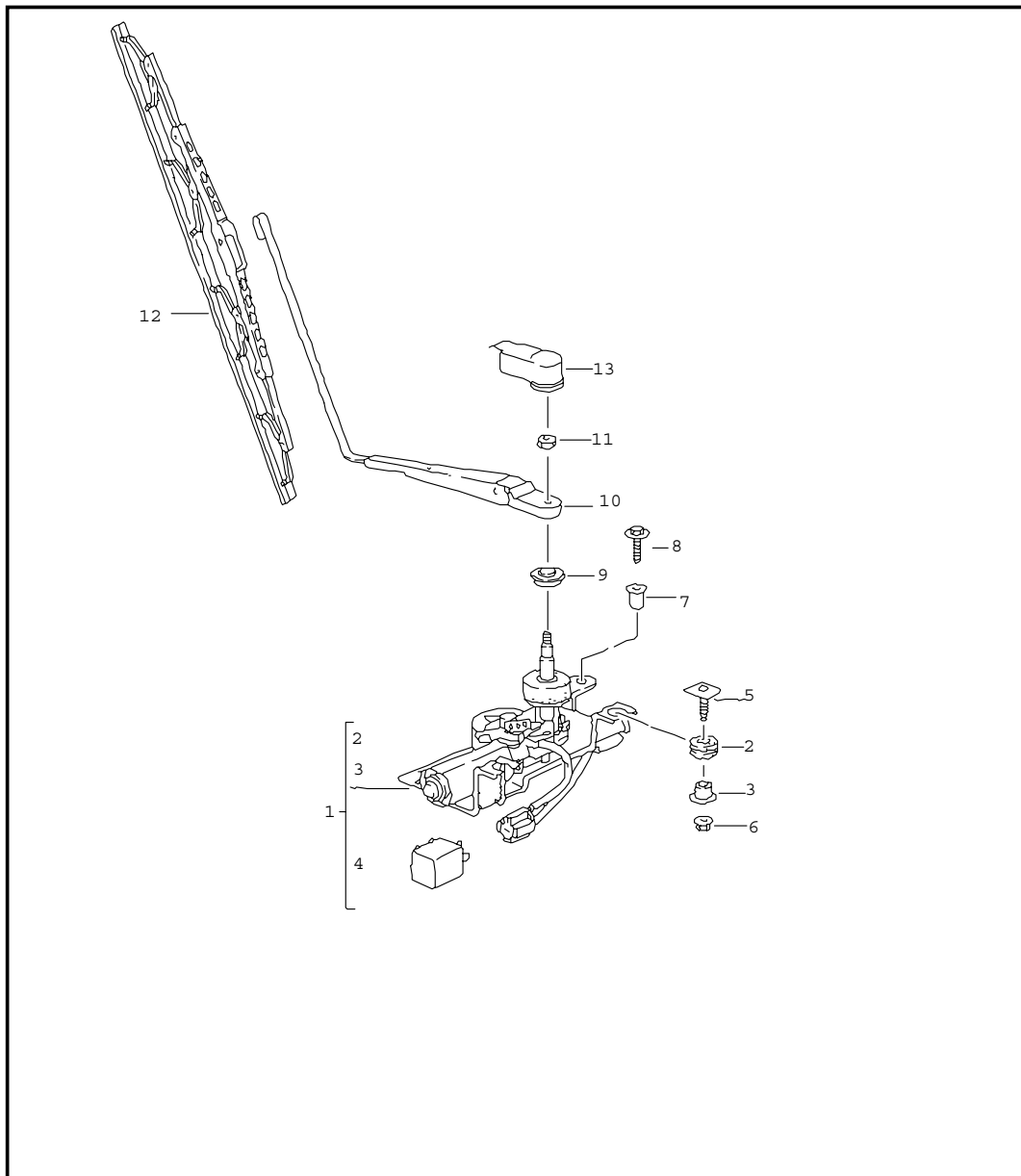


Pos	Part Number	Name	Remarks	Qty	Model
		windscreen wiper system rain sensor			M 265
1	A 996 624 105 00	wiper motor	/LL -04	1	
1	997 624 105 00	wiper motor	/LL	1	
(1)	A 996 624 106 00	wiper motor	/RL -04	1	
(1)	997 624 106 00	wiper motor	/RL	1	
2	A 996 628 935 00	crank drive	/LL -04	1	
2	997 628 235 00	crank drive	/LL	1	
(2)	A 996 628 936 00	crank drive	/RL -04	1	
(2)	997 628 236 00	crank drive	/RL	1	
3	900 075 014 02	hexagon-head bolt M 6 X 18	-04	3	
(3)	999 073 359 09	torx screw M 6 X 18	05	3	
4	900 076 025 02	hexagon nut M 8	-04	3	
4	900 076 064 01	hexagon nut M 8	05	3	
5	999 924 102 02	sleeve		1	
6	999 702 204 50	rubber bush		1	
7	996 628 713 00	sleeve		1	
8	996 628 703 00	rubber bush		1	
9	999 075 056 09	screw M 6 X 22 Z2	-04	3	
9	999 075 075 09	screw M 6 X 22 SC	05	3	
10	999 507 246 02	speed nut M 6		1	
12	996 628 028 00	wiper arm driver's side	/LL	1	
(12)	996 628 027 01	wiper arm passenger's side	/RL	1	
13	996 628 028 01	wiper arm passenger's side	/LL	1	

Model	Year	MG	SG	Illustration	Restrictions	Update	13:23	23.08.2006	PORSCHE	PET	PORSCHE
996	05	9	04	904-00		203					

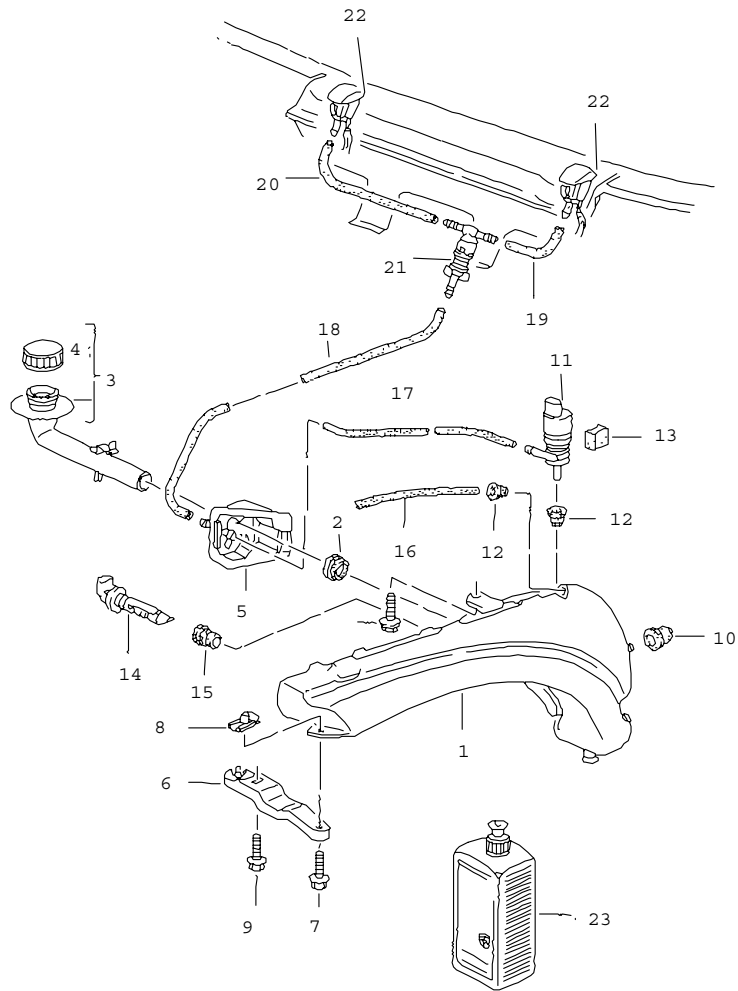
Pos	Part Number	Name	Remarks	Qty	Model	Pos	Part Number	Name	Remarks	Qty	Model
(13)	996 628 027 00	wiper arm driver's side	/RL	1							
(14)	996 628 901 08	wiper blade set driver's side passenger's side see technical information GR. 9 , NR. 1/03	/LL	1							
(15)	996 628 901 08	wiper blade set driver's side passenger's side see technical information GR. 9 , NR. 1/03	/RL	1							
16	944 628 305 01	cap		2							
17	996 612 506 00	rain sensor with wiring harness		1	COUPE M 265						
(17)	996 612 516 00	rain sensor with wiring harness		1	CABRIO M 265						
(17)	996 612 526 00	rain sensor with wiring harness	02-	1	TARGA M 265						
-	000 043 204 65	adhesive film for rain sensor see technical manual GR. 9 / 92 12 19		1	M 265						
18	996 615 113 00	control unit rain sensor		1	M 265						
		- - - E N D - - -									

Model	Year	MG	SG	Illustration	Restrictions	Update	13:24	23.08.2006	PORSCHE	PET	PORSCHE
996	05	9	04	904-05		203					



Pos	Part Number	Name	Remarks	Qty	Model
		rear window wiper			COUPE/TARGA
1	996 628 080 00	wiper motor		1	CARRERA
1	996 628 080 01	wiper motor	02-	1	CARRERA 4 S
(1)	996 628 090 00	wiper motor	02-	1	TARGA
2	999 702 204 50	rubber bush		2	
3	999 924 102 02	sleeve		2	
4	928 618 104 00	relay		1	
5	999 081 004 02	screw		2	
6	999 084 212 02	hexagon nut M 6		2	
7	999 500 078 00	sheetmetal press nut		1	
8	999 075 056 09	screw M 6 X 22 Z2		1	
9	996 628 273 01	grommet		1	
10	996 628 040 00	wiper arm		1	COUPE
(10)	996 628 050 00	wiper arm	02-	1	TARGA
11	900 076 025 02	hexagon nut		1	
12	996 628 901 07	wiper blade		1	
13	944 628 122 00	cap		1	
- - - E N D - - -					

Model	Year	MG	SG	Illustration	Restrictions	Update	13:24	23.08.2006	PORSCHE	PET	PORSCHE
996	05	9	04	904-10		203					

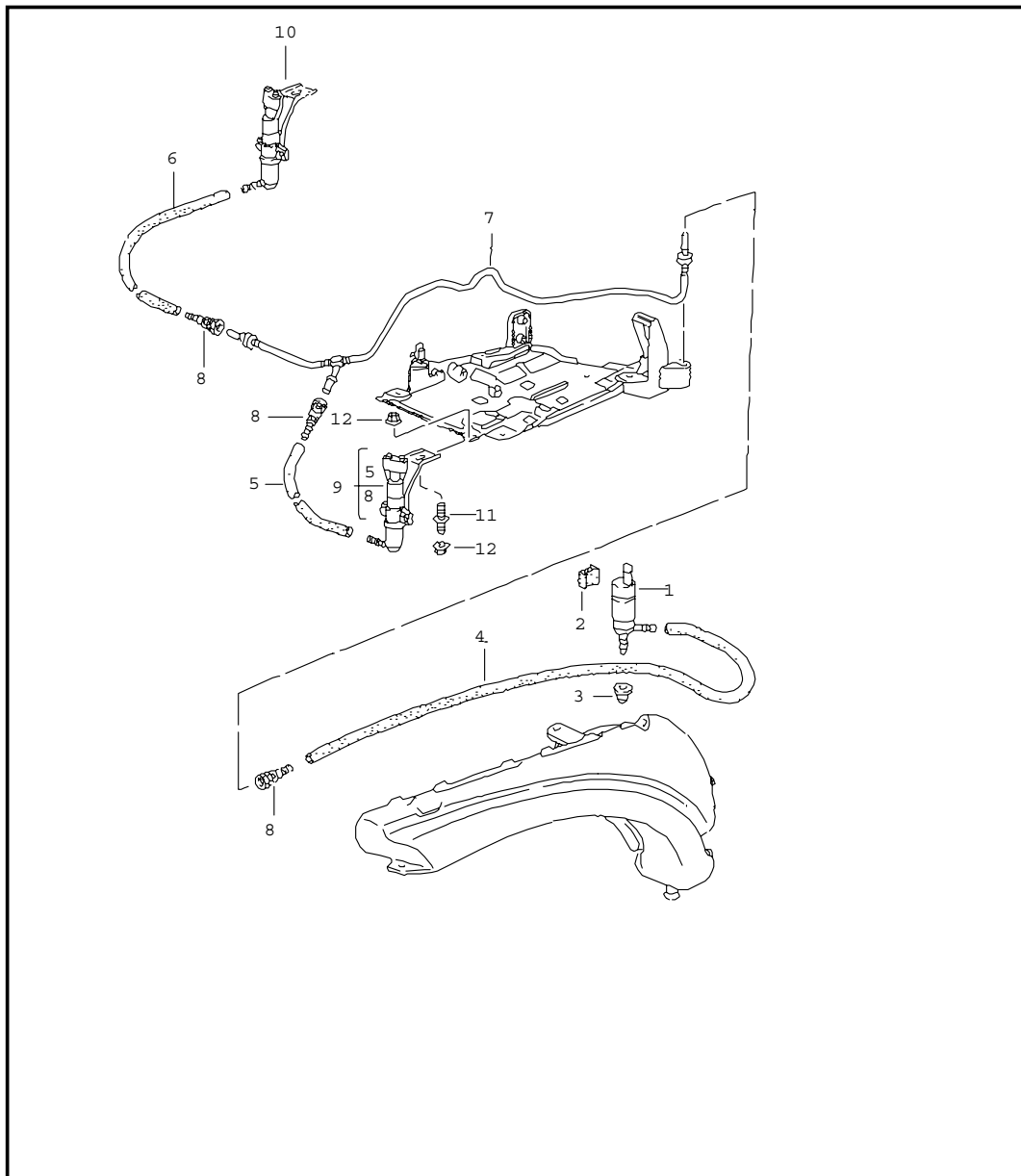


Pos	Part Number	Name	Remarks	Qty	Model
		windscreen washer system			
1	996 528 701 00	water reservoir		1	M 288
(1)	996 528 701 01	water reservoir		1	
2	996 528 711 00	gasket		1	
3	996 528 605 00	filler neck		1	
4	996 528 607 00	cover		1	
5	996 528 615 01	bracket		1	
-	999 137 091 40	socket repair material for bracket 996.528.615.00/01		X	
(6)	996 528 611 02	support		1	M 288
7	900 378 030 09	hexagon-head bolt M 6 X 20		1	M 288
8	999 591 882 02	speed nut M 6		1	M 288
9	900 378 154 09	hexagon-head bolt AM 8 X 35 SB		1	M 288
10	999 702 221 40	grommet		2	
11	996 628 172 00	pump		1	
12	431 955 465 B	gasket		2	
13	993 628 213 00	spacer		1	M 288
14	996 628 105 00	tank gauge		1	
15	996 528 721 00	gasket		1	
16	999 181 347 40	breather pipe 245 MM 640 MM		*	M 288
-	999 181 815 40	hose 5,0 X 2,5		*	
17	-	400 MM		1	
18	-	560 MM		1	
19	-	80 MM		1	
20	-	380 MM		1	

Model	Year	MG	SG	Illustration	Restrictions	Update	13:24	23.08.2006	PORSCHE	PET	PORSCHE
996	05	9	04	904-10		203					

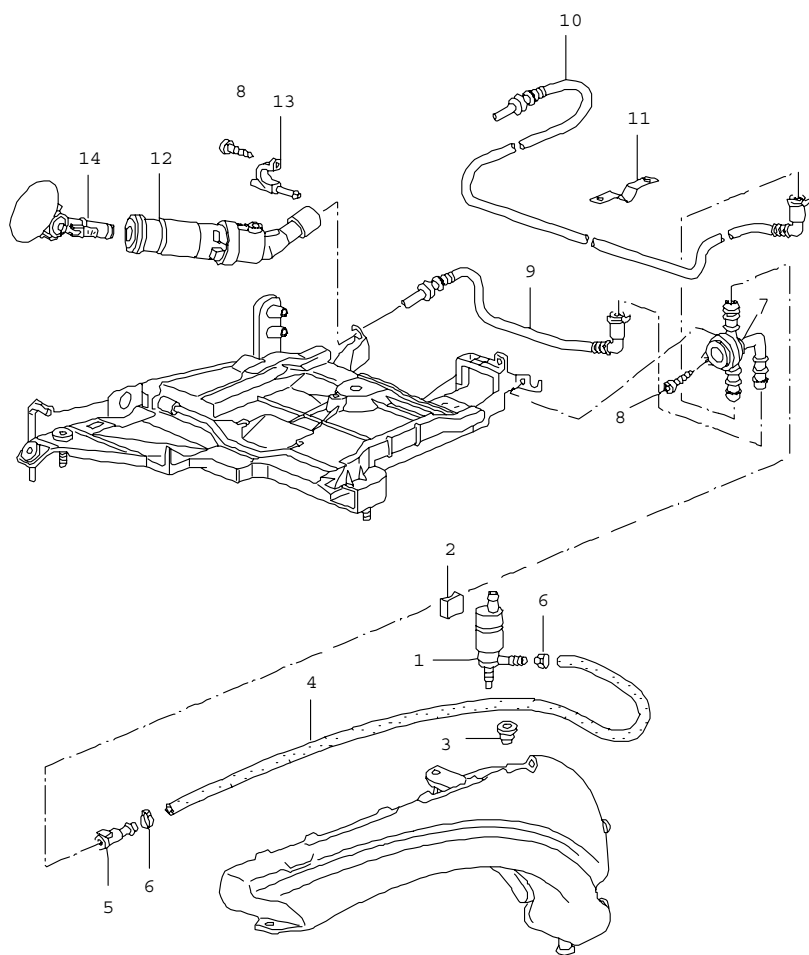
Pos	Part Number	Name	Remarks	Qty	Model	Pos	Part Number	Name	Remarks	Qty	Model
21	996 628 102 00	t-piece		1							
22	A 996 628 077 00	nozzle adjustable	98	2							
(22)	996 628 077 01	nozzle not adjustable	99-	2							
(22)	P 996 628 077 03	nozzle not adjustable	99-	2							
		when required order also:									
-	P 997 612 976 00	repair kit wiring harness		2							
23	999 901 017 41	window cleaner 250 ML summer		X							
23	999 901 033 40	window cleaner 1000 ML winter		X							
		- - - E N D - - -									

Model	Year	MG	SG	Illustration	Restrictions	Update	13:24	23.08.2006	PORSCHE	PET	PORSCHE
996	05	9	04	904-20		203					



Pos	Part Number	Name	Remarks	Qty	Model
		headlight washer system	-01		M 288
1	996 624 502 00	pump		1	
2	993 628 213 00	spacer		1	
3	928 628 193 00	gasket without strainer		1	
(3)	996 628 393 00	gasket with strainer		1	
-	000 043 204 79	hose 8 X 3		*	
4	-	1020 MM		1	
5	-	170 MM		1	
6	-	930 MM		1	
-	999 512 673 00	hose clamp for POS. 1 + 8		X	
-	999 512 568 02	hose clamp for POS. 5 + 6		X	
7	996 628 673 00	line		1	
8	996 628 675 00	quick-connecting lock		3	
9	996 628 333 00	nozzle	/L	1	
10	996 628 334 00	nozzle	/R	1	
11	996 628 335 00	threaded bolt		2	
12	999 076 064 02	hexagon nut M 6-S		4	
		- - - E N D - - -			

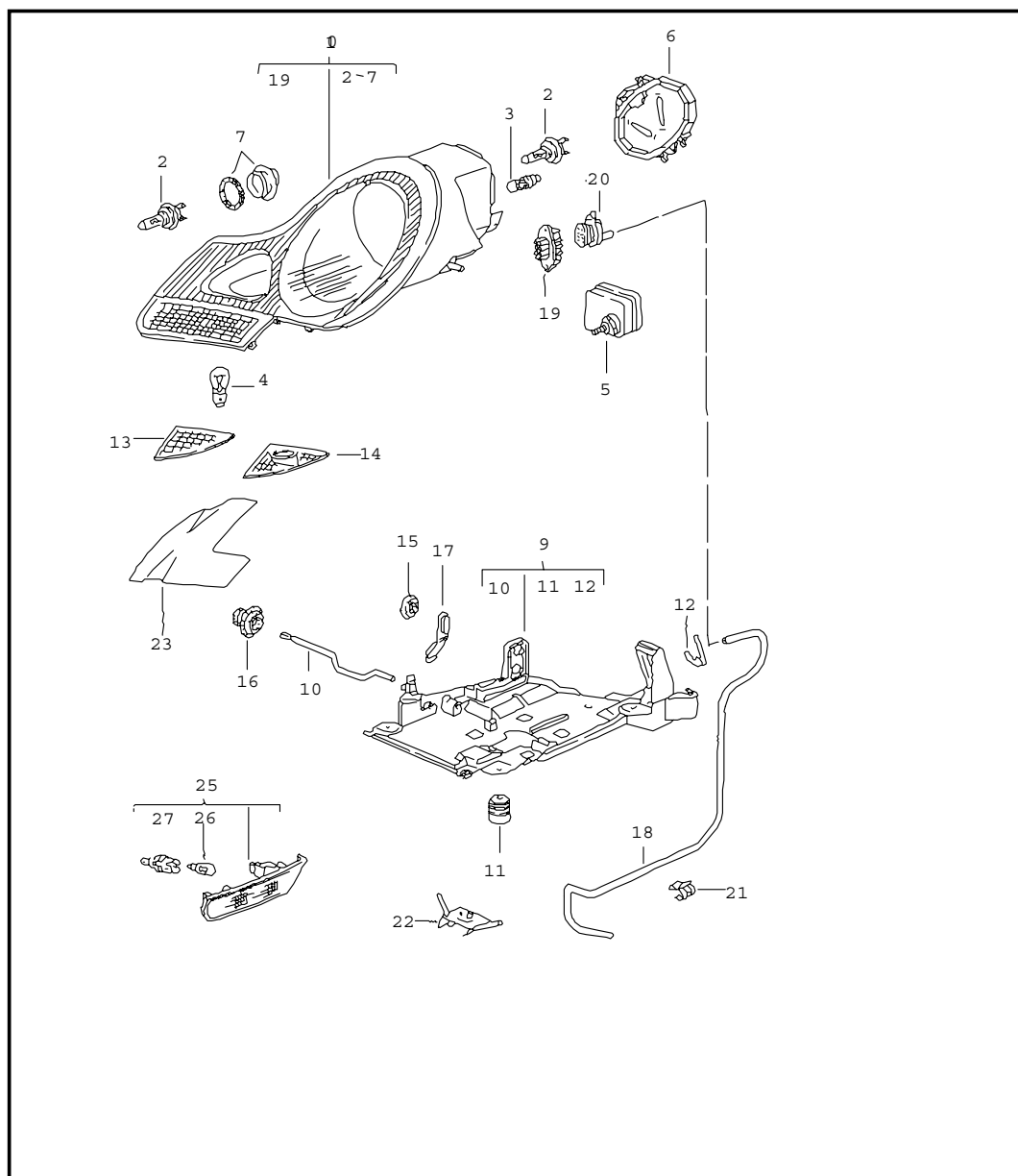
Model	Year	MG	SG	Illustration	Restrictions	Update	13:24	23.08.2006	PORSCHE	PET	PORSCHE
996	05	9	04	904-21		203					



Pos	Part Number	Name	Remarks	Qty	Model
		headlight washer system	02-		M 288
1	996 624 502 00	pump		1	
2	993 628 213 00	spacer		1	
3	928 628 193 00	gasket without strainer		1	
(3)	996 628 393 00	gasket with strainer		1	
-	999 181 750 40	hose 10 X 3		*	
4	-	1020 MM		1	
5	996 628 204 00	quick-connecting lock		1	
6	999 512 673 00	hose clamp		2	
7	996 628 160 00	distributing piece		1	
8	999 919 017 02	oval-head screw 4,0 X 16		3	
9	996 628 135 00	pipeline	/L	1	
10	996 628 136 01	pipeline	/R	1	
11	996 628 110 00	support		2	
12	996 628 161 00	jet carrier	/L	1	
(12)	996 628 162 00	jet carrier	/R	1	
13	996 631 116 00	guide pin		2	
14	996 628 143 00	trim with nozzle	/L	1	
(14)	996 628 144 00	trim with nozzle	/R	1	
		- - - E N D - - -			



Model	Year	MG	SG	Illustration	Restrictions	Update	13:25	23.08.2006	PORSCHE	PET	PORSCHE
996	05	9	05	905-00		203					

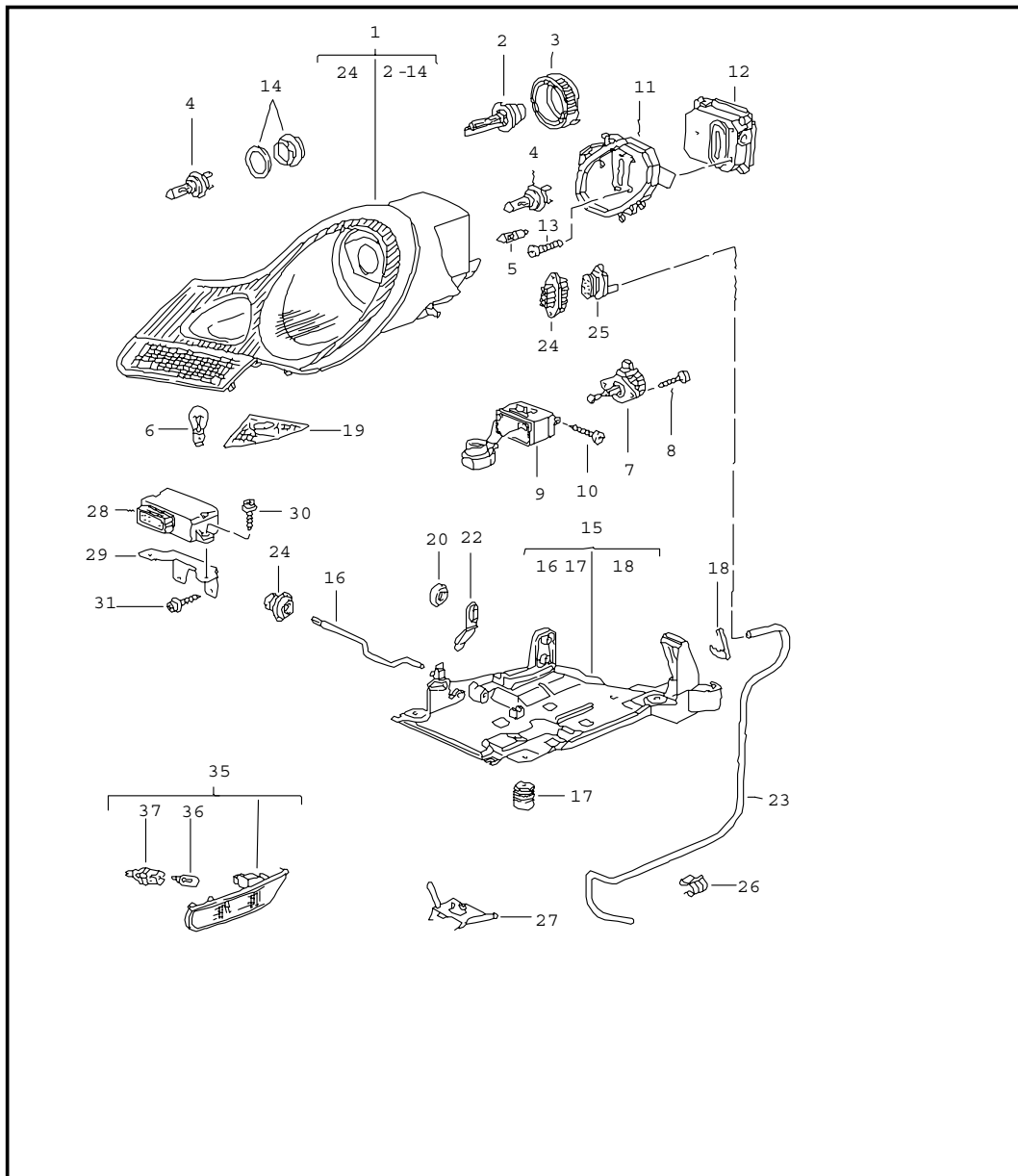


Pos	Part Number	Name	Remarks	Qty	Model
		headlamp side turn signal	-01		
		headlamp with headlight levelling system			
1	996 631 153 04	headlamp	/L 98	1	
1	996 631 154 04	headlamp	/R 98	1	
1	996 631 153 08	headlamp	/L 98	1	M 492
1	996 631 154 08	headlamp	/R 98	1	M 492
1	996 631 153 12	headlamp	/L 98	1	M 492 (J)
1	996 631 154 12	headlamp	/R 98	1	M 492 (J)
		headlamp without headlight levelling system	01		
(1)	996 631 163 01	headlamp	/L 99-	1	
(1)	996 631 164 01	headlamp	/R 99-	1	
(1)	996 631 163 11	headlamp	/L 99-	1	M 492
(1)	996 631 164 11	headlamp for cars up to model year 00 with headlight levelling system when required order also: 993.624.209.00	/R 99-	1	M 492
2	999 631 133 90	halogen bulb H 7 white		6	
3	999 631 032 90	bulb 5 W		2	
4	900 631 127 90	bulb 21 W		2	
5	993 624 209 00	electric motor headlight levelling system	-00	2	
6	996 631 231 00	protective cap headlamp		2	
7	996 631 233 00	protective cap fog headlamp		2	
9	996 631 041 00	mounting	/L	1	

Model	Year	MG	SG	Illustration	Restrictions	Update	13:25	23.08.2006	PORSCHE	PET	PORSCHE
996	05	9	05	905-00		203					

Pos	Part Number	Name	Remarks	Qty	Model	Pos	Part Number	Name	Remarks	Qty	Model
(9)	996 631 042 00	mounting	/R	1		22	996 631 693 00	support mount front embellisher		1	
10	996 631 243 00	clamping bow		2							
11	996 631 077 00	fastening part		6		23	996 631 137 00	set cover foil headlamp for left-hand traffic vehicles in rh traffic countries see tpi GR.9 / NR. 15		1	
12	996 631 245 00	locking device connector housing	/L	1							
(12)	996 631 246 00	locking device connector housing	/R	1							
13	996 631 035 00	trim	/L 98	1		(23)	996 631 138 00	set cover foil headlamp for right-hand traffic vehic. in lh traffic countries see tpi GR. 9 / NR. 15		1	
13	996 631 045 00	trim	/L 99-	1							
(13)	996 631 036 00	trim	/R 98	1							
(13)	996 631 046 00	trim	/R 99-	1							
14	996 631 035 01	trim	/L 98	1	M 288						
14	996 631 045 01	trim	/L 99-	1	M 288						
(14)	996 631 036 01	trim	/R 98	1	M 288	25	996 631 033 01	side turn signal	/L 98	1	
(14)	996 631 046 01	trim	/R 99-	1	M 288	25	996 631 043 01	side turn signal	/L 99-	1	
15	803 803 583 A	cover		2		(25)	996 631 034 01	side turn signal	/R 98	1	
16	999 703 413 40	plug		2		(25)	996 631 044 01	side turn signal	/R 99-	1	
17	993 631 170 03	plug		6		-	999 652 838 40	plug socket		2	
18	996 631 641 03	breather pipe	/L	1		-	999 652 771 12	connector		4	
(18)	996 631 642 03	breather pipe	/R	1		-	999 704 161 40	gasket		4	
19	999 652 832 40	connector housing headlamp		2		26	999 631 032 90	bulb 5 W white		2	
20	999 650 150 40	connector housing wiring harness		2		26	999 631 138 90	bulb 5 W yellow	99-	2	
-	999 652 744 20	connector		16							
-	999 704 161 40	gasket		16		27	996 631 133 00	bulb holder for bulb white		2	
21	999 651 317 09	clamp breather pipe		X							
(21)	999 651 276 40	cable holder breather pipe wing strut		X		(27)	996 631 133 01	bulb holder for bulb yellow		2	
(21)	999 651 282 40	cable holder breather pipe front embellisher		X							
- - - E N D - - -											

Model	Year	MG	SG	Illustration	Restrictions	Update	13:25	23.08.2006	PORSCHE	PET	PORSCHE
996	05	9	05	905-01		203					

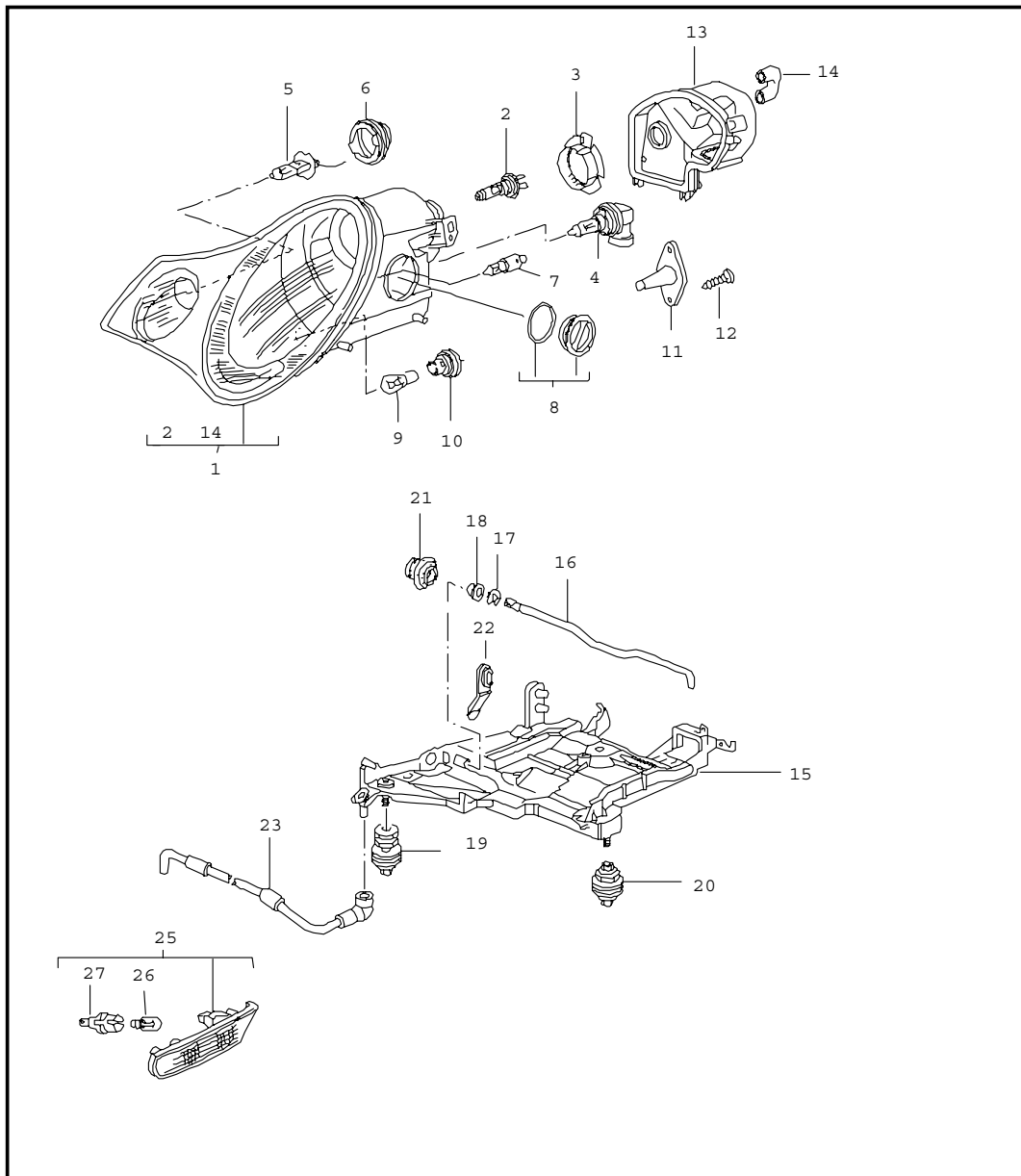


Pos	Part Number	Name	Remarks	Qty	Model
		headlamp side turn signal	-01		M 601
1	996 631 157 01	headlamp	/L	1	
1	996 631 158 01	headlamp	/R	1	
1	996 631 157 04	headlamp	/L	1	M 492
1	996 631 158 04	headlamp	/R	1	M 492
2	999 631 036 90	bulb - PHILIPS -		2	
3	996 631 189 00	retainer		2	
4	999 631 133 90	halogen bulb H 7		4	
5	999 631 140 90	bulb H 6 W position light		2	
6	900 631 127 90	bulb 21 W direction indicator light		2	
7	996 631 125 00	electric motor headlight levelling system		2	
8	996 631 199 00	screw 3,9 X 16		4	
9	996 631 195 01	ignition control unit		2	
10	996 631 199 00	screw 3,9 X 16		4	
11	996 631 241 01	protective cap headlamp	/L	1	
(11)	996 631 242 01	protective cap headlamp	/R	1	
12	993 631 193 02	control unit		2	
13	900 146 123 02	screw M 5 X 16		6	
14	996 631 233 00	protective cap fog headlamp		2	
15	996 631 041 00	mounting	/L	1	
(15)	996 631 042 00	mounting	/R	1	
16	996 631 243 00	clamping bow		2	

Model	Year	MG	SG	Illustration	Restrictions	Update	13:25	23.08.2006	PORSCHE	PET	PORSCHE
996	05	9	05	905-01		203					

Pos	Part Number	Name	Remarks	Qty	Model	Pos	Part Number	Name	Remarks	Qty	Model
17	996 631 077 00	fastening part		6		30	900 143 157 07	screw BZ 4,2 X 13 Z2		2	
18	996 631 245 00	locking device connector housing	/L	1		31	999 073 169 07	tapping screw ST 4,8 X 16		2	
(18)	996 631 246 00	locking device connector housing	/R	1				sensor headlight levelling system see group 4/01/00 5/01/01	/V /H		
19	996 631 045 01	trim	/L	1				side turn signal			
(19)	996 631 046 01	trim	/R	1				side turn signal	/L	1	
20	803 803 583 A	cover		2				side turn signal	/R	1	
21	999 703 413 40	plug		2		35	996 631 043 01	side turn signal			
22	993 631 170 03	plug		6		(35)	996 631 044 01	side turn signal			
23	996 631 641 03	breather pipe	/L	1		-	999 652 838 40	plug socket		2	
(23)	996 631 642 03	breather pipe	/R	1		-	999 652 771 12	connector		4	
24	999 652 832 40	connector housing headlamp		2		-	999 704 161 40	gasket		4	
25	999 650 150 40	connector housing wiring harness		2		36	999 631 138 90	bulb 5 W yellow		2	
-	999 652 744 20	connector		16		(37)	996 631 133 01	bulb holder for bulb yellow		2	
-	999 704 161 40	gasket		16				- - - E N D - - -			
26	999 651 317 09	clamp breather pipe		X							
(26)	999 651 276 40	cable holder breather pipe wing strut		X							
(26)	999 651 282 40	cable holder breather pipe front embellisher		X							
27	996 631 693 00	support mount front embellisher		1							
28	996 618 151 15	control unit headlight levelling system		1							
29	996 618 155 00	support F >>991S6 05390 F >>991S6 43853		1							
29	996 618 155 13	support F 991S6 05391>> F 991S6 43854>>		1							

Model	Year	MG	SG	Illustration	Restrictions	Update	13:25	23.08.2006	PORSCHE	PET	PORSCHE
996	05	9	05	905-02		203					

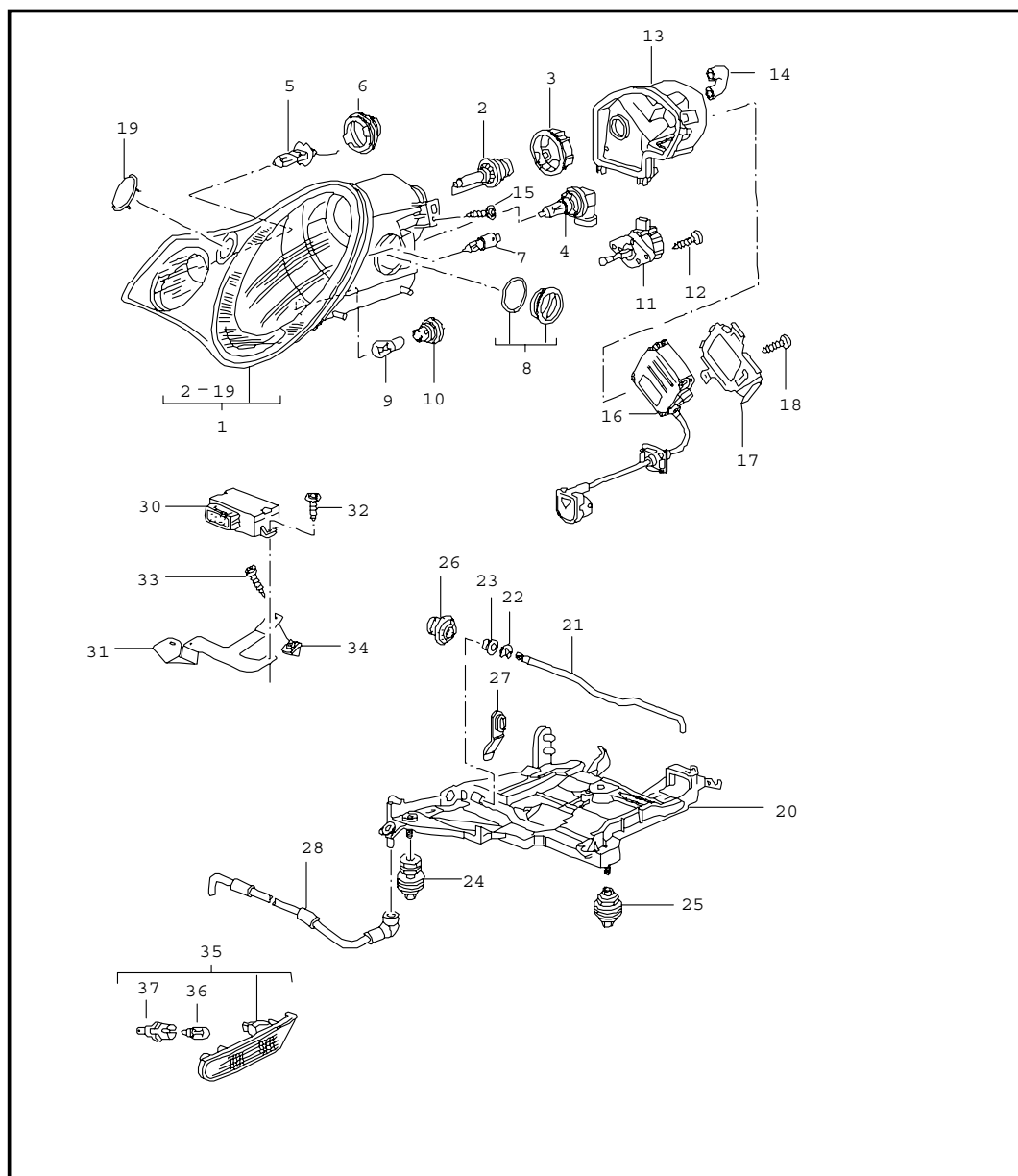


Pos	Part Number	Name	Remarks	Qty	Model
		headlamp side turn signal	02-		
1	996 631 055 50	headlamp	/L	1	
1	996 631 056 50	headlamp	/R	1	
1	996 631 065 50	headlamp	/L	1	M 492
1	996 631 066 50	headlamp	/R	1	M 492
2	999 631 133 90	halogen bulb H 7		2	
3	996 631 128 00	bulb holder		2	
4	999 631 143 90	halogen bulb H 9		2	
5	900 631 126 90	halogen bulb H 3		2	
6	996 631 123 00	protective cap fog headlamp		2	
7	999 631 140 90	bulb H 6 W position light		2	
8	996 631 134 00	protective cap position light		2	
9	900 631 131 90	bulb 21 W yellow direction indicator light		2	
10	996 631 118 00	bulb holder direction indicator light		2	
11	996 631 114 00	bearing bracket		2	
12	999 919 093 02	oval-head screw 4,0 X 10		4	
13	996 631 101 50	protective cap headlamp	/L	1	
(13)	996 631 102 50	protective cap headlamp	/R	1	
14	996 631 120 00	breather adapter		2	
15	996 631 173 00	mounting	/L	1	
(15)	996 631 174 00	mounting	/R	1	
16	996 631 273 00	clamping bow		2	

Model	Year	MG	SG	Illustration	Restrictions	Update	13:25	23.08.2006	PORSCHE	PET	PORSCHE
996	05	9	05	905-02		203					

Pos	Part Number	Name	Remarks	Qty	Model	Pos	Part Number	Name	Remarks	Qty	Model
17	900 116 004 09	lock washer		2							
18	996 631 272 00	bearing sleeve		2							
19	996 631 079 00	fastening part		4							
20	996 631 078 00	fastening part		2							
21	999 703 413 40	plug		2							
22	993 631 170 03	plug		6							
-	996 631 140 00	sealing washer ventilation pipe		2							
(23)	996 631 149 00	ventilation component see technical information GR.9 , NR. 7/02		2							
		side turn signal									
25	996 631 043 01	side turn signal	/L	1							
(25)	996 631 044 01	side turn signal	/R	1							
26	999 631 138 90	bulb 5 W yellow		2							
(27)	996 631 133 01	bulb holder		2							
		- - - E N D - - -									

Model	Year	MG	SG	Illustration	Restrictions	Update	13:25	23.08.2006	PORSCHE	PET	PORSCHE
996	05	9	05	905-03		203					



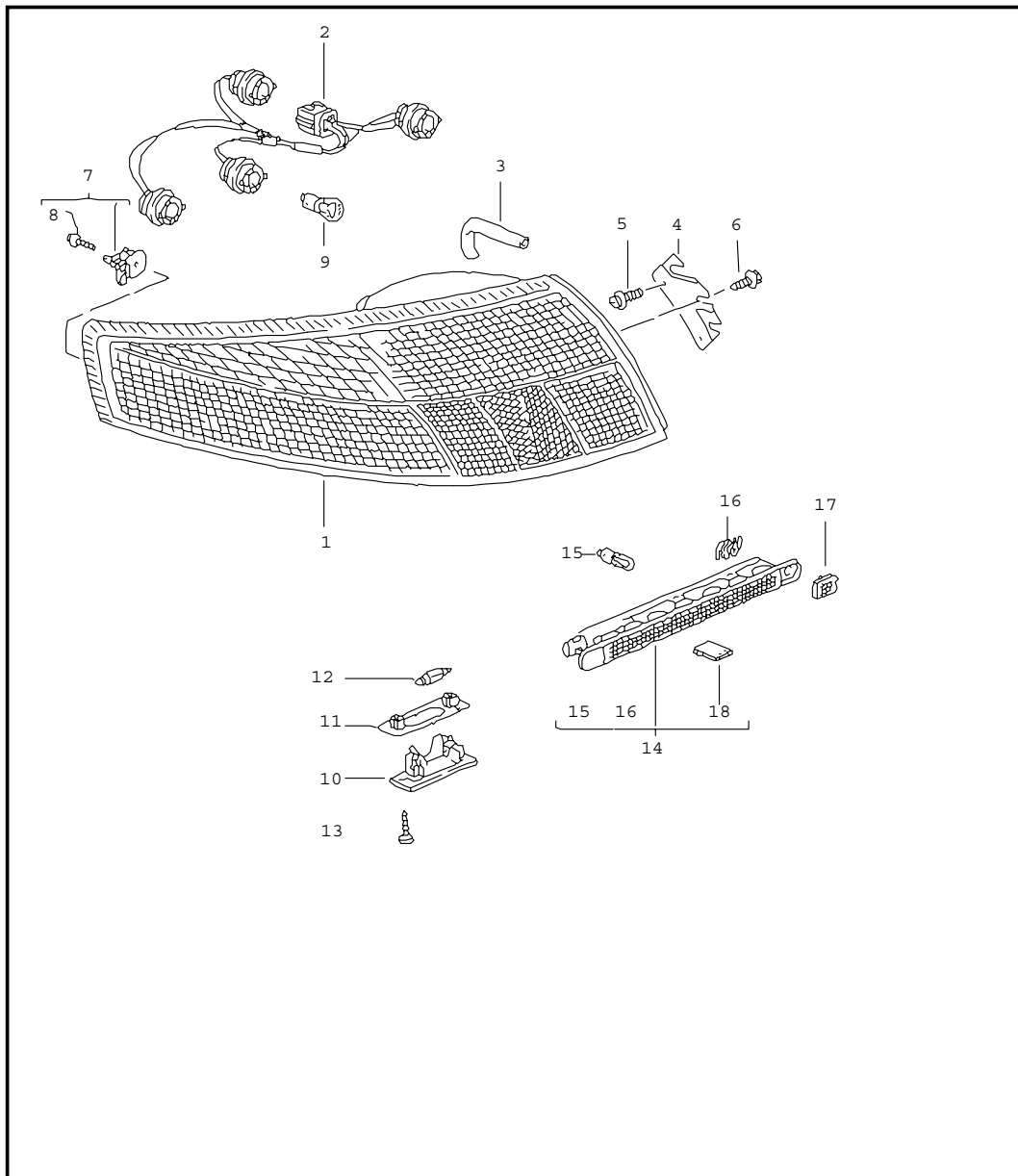
Pos	Part Number	Name	Remarks	Qty	Model
		headlamp side turn signal	02-		M 601
1	996 631 055 20	headlamp	/L	1	
1	996 631 056 20	headlamp	/R	1	
1	996 631 065 20	headlamp	/L	1	M 492
1	996 631 066 20	headlamp	/R	1	M 492
2	999 631 036 90	bulb - PHILIPS -		2	
3	996 631 179 00	retainer		2	
4	999 631 144 90	halogen bulb H 11		2	
5	900 631 126 90	halogen bulb H 3		2	
6	996 631 123 00	protective cap fog headlamp		2	
7	999 631 140 90	bulb H 6 W position light		2	
8	996 631 134 00	protective cap position light		2	
9	900 631 131 90	bulb 21 W yellow direction indicator light		2	
10	996 631 118 00	bulb holder direction indicator light		2	
11	996 631 135 00	electric motor headlight levelling system		2	
12	999 919 093 02	oval-head screw 4,0 X 10		4	
13	996 631 101 10	protective cap headlamp	/L	1	
(13)	996 631 102 10	protective cap headlamp	/R	1	
14	996 631 120 00	breather adapter		2	
15	999 919 050 02	oval-head screw 4,0 X 12		4	
16	996 631 183 00	control unit		2	

Model	Year	MG	SG	Illustration	Restrictions	Update	13:25	23.08.2006	PORSCHE	PET	PORSCHE
996	05	9	05	905-03		203					

Pos	Part Number	Name	Remarks	Qty	Model	Pos	Part Number	Name	Remarks	Qty	Model
17	996 631 161 00	support	/L	1				side turn signal			
(17)	996 631 162 00	support	/R	1		35	996 631 043 01	side turn signal	/L	1	
18	999 919 017 02	oval-head screw 4,0 X 16		2		(35)	996 631 044 01	side turn signal	/R	1	
19	-	trim and nozzle headlight washer system see group 9/04/21				36	999 631 138 90	bulb 5 W yellow		2	
						(37)	996 631 133 01	bulb holder		2	
								- - - E N D - - -			
20	996 631 173 00	mounting	/L	1							
(20)	996 631 174 00	mounting	/R	1							
21	996 631 273 00	clamping bow		2							
22	900 116 004 09	lock washer		2							
23	996 631 272 00	bearing sleeve		2							
24	996 631 079 00	fastening part		4							
25	996 631 078 00	fastening part		2							
26	999 703 413 40	plug		2							
27	993 631 170 03	plug		6							
-	996 631 140 00	sealing washer ventilation pipe		2							
(28)	996 631 149 00	ventilation component see technical information GR.9 , NR. 7/02		2							
30	996 618 151 15	control unit headlight levelling system		1							
31	996 618 155 10	support		1							
32	900 143 157 07	screw BZ 4,2 X 13 Z2		2							
33	999 073 196 09	tapping screw ST 4,8 X 9,5		1							
34	999 591 855 02	speed nut 4,8		1							
		sensor headlight levelling system see group 4/01/00 5/01/01	/V /H								



Model	Year	MG	SG	Illustration	Restrictions	Update	13:25	23.08.2006	PORSCHE	PET	PORSCHE
996	05	9	05	905-05		203					

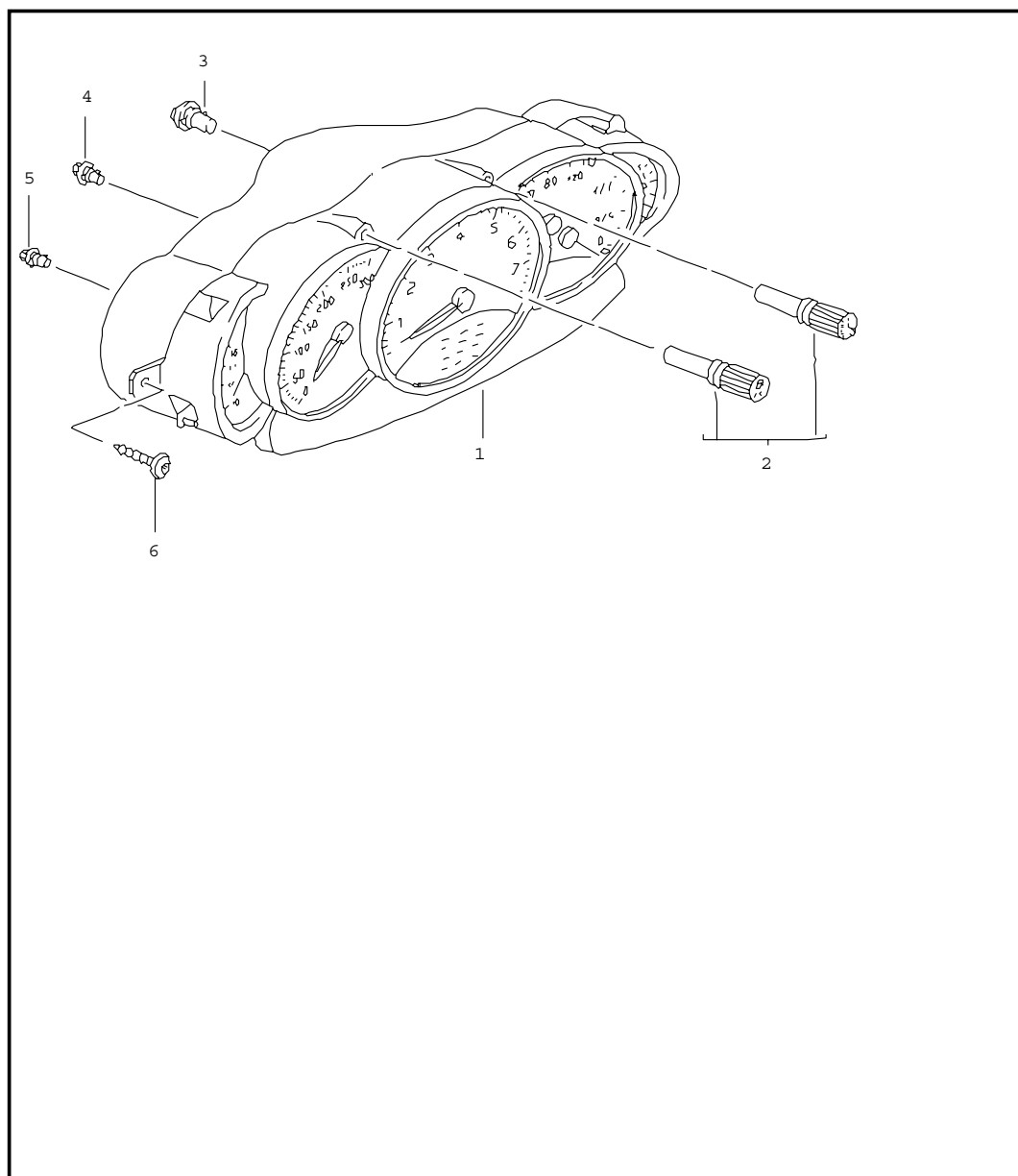


Pos	Part Number	Name	Remarks	Qty	Model
		rear light license plate light additional stoplamp			M 602
1	996 631 433 01	rear light housing	/L 98	1	CARRERA
1	996 631 485 00	rear light housing	/L 99-	1	CARRERA
(1)	996 631 487 00	rear light housing	/L 02-	1	CARRERA 4 S
(1)	996 631 434 01	rear light housing	/R 98	1	CARRERA
(1)	996 631 486 00	rear light housing	/R 99-	1	CARRERA
(1)	996 631 488 00	rear light housing	/R 02-	1	CARRERA 4 S
2	996 631 435 00	wiring harness	98	2	CARRERA
2	996 631 436 00	wiring harness	99-	2	CARRERA
(2)	996 631 437 00	wiring harness	02-	2	CARRERA 4 S
(3)	996 631 451 01	connection piece		4	
4	996 631 463 02	support	/L	1	CARRERA
(4)	996 631 465 01	support	/L 02-	1	CARRERA 4 S
(4)	996 631 464 02	support	/R	1	CARRERA
(4)	996 631 466 01	support	/R 02-	1	CARRERA 4 S
5	999 074 113 02	screw M 5 X 18		4	
6	999 074 115 09	hexagon-head bolt M 6 X 16		2	CARRERA
6	999 073 250 09	oval-head screw M 5 X 15	02-	4	CARRERA 4 S
7	996 631 471 00	mounting		2	
8	999 919 121 09	screw		2	
9	900 631 127 90	bulb 21 W white		X	
9	900 631 131 90	bulb 21 W yellow	99-	X	
(9)	900 631 128 90	bulb 21/5 W		X	
(9)	900 631 104 90	bulb 5 W	02-	X	CARRERA 4 S

Model	Year	MG	SG	Illustration	Restrictions	Update	13:26	23.08.2006	PORSCHE	PET	PORSCHE
996	05	9	05	905-05		203					

Pos	Part Number	Name	Remarks	Qty	Model	Pos	Part Number	Name	Remarks	Qty	Model
10	964 631 620 00	license plate light	-01	2	CARRERA						
	01C	black									
(10)	1J6 943 021 B	license plate light	02-	2	CARRERA						
10	964 631 620 00	license plate light	02-	2	CARRERA 4 S						
	01C	black									
11	993 631 166 00	desk pad	-01	2	CARRERA						
			02-		CARRERA 4 S						
12	900 631 105 90	bulb		2							
		12V 5W									
13	900 143 085 07	tapping screw	-01	4	CARRERA						
		4,2 X 16	02-		CARRERA 4 S						
14	996 631 050 00	additional stoplamp		2	M 602						
15	900 631 019 90	bulb		X	M 602						
		3 W									
16	996 631 168 00	fastening part		2	M 602						
17	996 631 165 00	cap		2	M 602						
18	996 631 105 00	desk pad		2	M 602						
		- - - E N D - - -									

Model	Year	MG	SG	Illustration	Restrictions	Update	13:26	23.08.2006	PORSCHE	PET	PORSCHE
996	05	9	06	906-01		203					

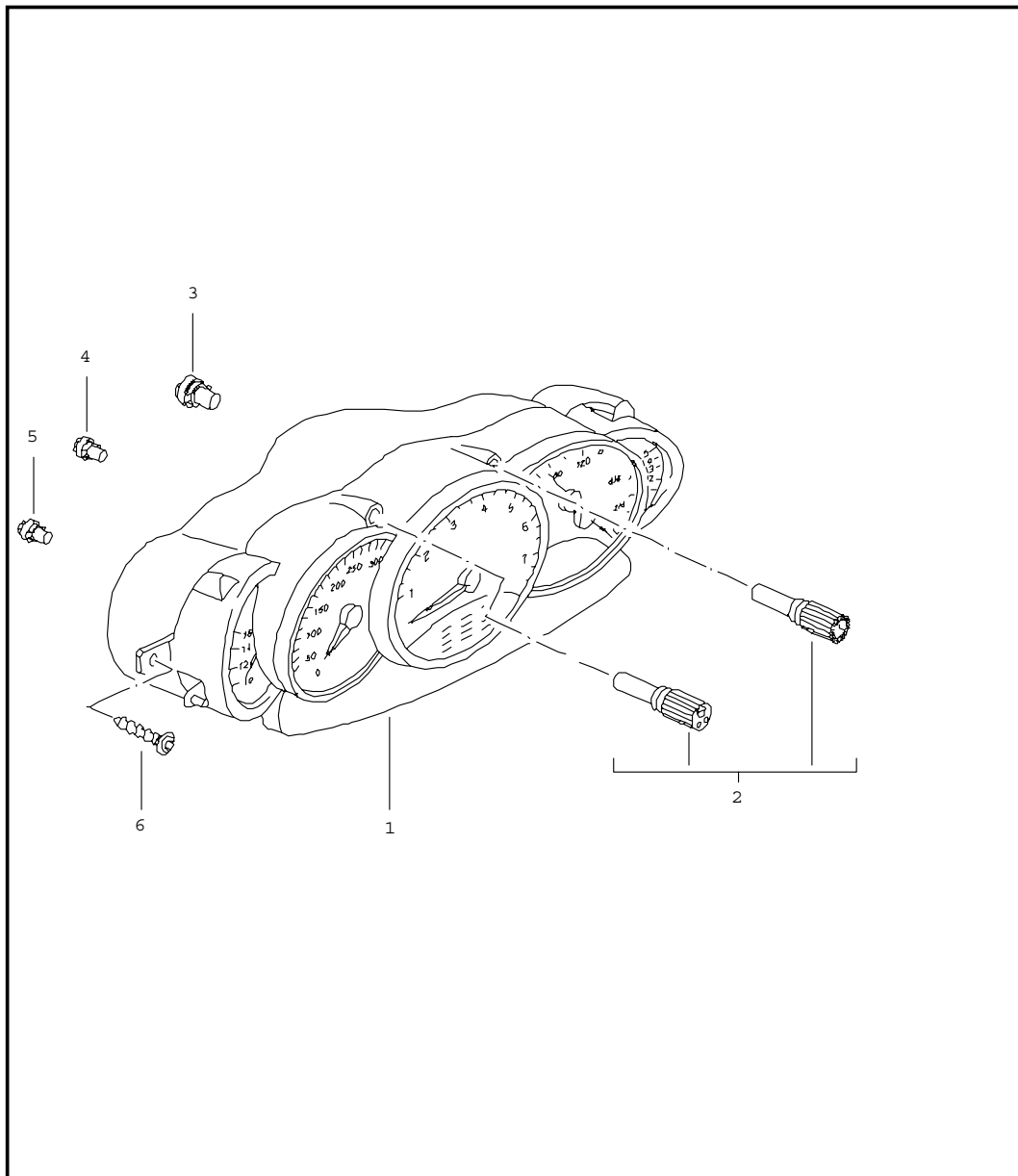


Pos	Part Number	Name	Remarks	Qty	Model
		instruments complete			
		electronic mail GR.9 , NR. 17/98			
		instruments X45/X71 see group 9/06/02	01-		
		instrument cluster C A R R E R A 2	-01		M 338
(1)	996 641 105 01	instrument cluster complete	-99	1	M 338/M 480
	70C	rally black			
(1)	996 641 106 01	instrument cluster complete	-99	1	M 338/M 249
	70C	rally black			
1	996 641 105 02	instrument cluster complete	00-01	1	M 338/M 480
	70C	rally black electronic mail GR.9 , NR. 3/00 + 3A/00 see tpi GR.9 , NR. 20	01		
(1)	996 641 106 02	instrument cluster complete	00-01	1	M 338/M 249
	70C	rally black electronic mail GR.9 , NR. 3/00 + 3A/00 see tpi GR.9 , NR. 20	01		
(1)	996 641 107 01	instrument cluster complete	-99	1	(GB) M 338/M 480
	70C	rally black			
(1)	996 641 108 01	instrument cluster complete	-99	1	(GB) M 338/M 249
	70C	rally black			
(1)	996 641 107 02	instrument cluster complete	00-01	1	(GB) M 338/M 480

Model	Year	MG	SG	Illustration	Restrictions	Update	13:26	23.08.2006	PORSCHE	PET	PORSCHE
996	05	9	06	906-01		203					

Pos	Part Number	Name	Remarks	Qty	Model	Pos	Part Number	Name	Remarks	Qty	Model
	70C	rally black electronic mail GR.9 , NR. 3/00 + 3A/00 see tpi GR.9 , NR. 20	01				70C	rally black			
(1)	996 641 108 02	instrument cluster complete	00-01	1	(GB) M 338/ M 249	(1)	996 641 226 03	instrument cluster complete	02-	1	M 249
	70C	rally black electronic mail GR.9 , NR. 3/00 + 3A/00 see tpi GR.9 , NR. 20	01			(1)	996 641 225 02	instrument cluster complete	04	1	M 095/M 480
		instrument cluster C A R R E R A 4	-01		M 339		FHB	black/silver			
		electronic mail GR.9 , NR. 10/00	-99		M 339	(1)	996 641 227 03	instrument cluster complete	02-	1	(GB) M 480
(1)	996 641 115 03	instrument cluster complete	-01	1	M 339/M 480	(1)	996 641 228 03	instrument cluster complete	02-	1	(GB) M 249
	70C	rally black see tpi GR.9 , NR. 20	01				70C	rally black			
(1)	996 641 116 03	instrument cluster complete	-01	1	M 339/M 249	(1)	996 641 227 02	instrument cluster complete	04	1	(GB) M 095/ M 480
	70C	rally black see tpi GR.9 , NR. 20	01				FHB	black/silver			
(1)	996 641 117 03	instrument cluster complete	-01	1	(GB) M 339/ M 480	(2)	996 641 911 00	knob actuator tripmeter and clock		1	
	70C	rally black see tpi GR.9 , NR. 20	01			(3)	999 631 304 90	bulb 12 V 3 W	-01	X	
(1)	996 641 118 03	instrument cluster complete	-01	1	(GB) M 339/ M 249	(4)	999 631 303 90	bulb 12 V 1,5 W	-01	X	
	70C	rally black see tpi GR.9 , NR. 20	01			(5)	999 631 302 90	bulb 12 V 1,2 W	-01	X	
(1)	996 641 225 03	instrument cluster complete	02-	1	M 480	(6)	999 919 188 09	oval-head screw 5,0 X 30		2	
		instrument cluster C A R R E R A 2 / 4 / 4S	02-					- - - E N D - - -			

Model	Year	MG	SG	Illustration	Restrictions	Update	13:26	23.08.2006	PORSCHE	PET	PORSCHE
996	05	9	06	906-02		203					



Pos	Part Number	Name	Remarks	Qty	Model
		instruments complete	01-		X45/X71
		instrument cluster dial lacquered interior colour			X45
		C A R R E R A 2	01		M 338
1	996 641 980 22	instrument cluster complete	01	1	M 338/M 480
	J33	nephrite green			
	C53	graphite grey			
	S33	savanna			
	G13	metropole blue			
	M33	boxster red			
	P13	cinnamon brown			
	D12	dark grey/natural			
	T12	brown/natural			
1	996 641 980 24	instrument cluster complete	01	1	(GB) M 338/M 480
	J33	nephrite green			
	C53	graphite grey			
	S33	savanna			
	G13	metropole blue			
	M33	boxster red			
	P13	cinnamon brown			
	D12	dark grey/natural			
	T12	brown/natural			
1	996 641 980 23	instrument cluster complete	01	1	M 338/M 249
	J33	nephrite green			
	C53	graphite grey			
	S33	savanna			

Model	Year	MG	SG	Illustration	Restrictions	Update	13:26	23.08.2006	PORSCHE	PET	PORSCHE
996	05	9	06	906-02		203					

Pos	Part Number	Name	Remarks	Qty	Model	Pos	Part Number	Name	Remarks	Qty	Model
	G13	metropole blue					S33	savanna			
	M33	boxster red					G13	metropole blue			
	P13	cinnamon brown					M33	boxster red			
	D12	dark grey/natural					P13	cinnamon brown			
	T12	brown/natural					D12	dark grey/natural			
1	996 641 980 25	instrument cluster complete	01	1	(GB) M 338/ M 249	1	996 641 982 43	instrument cluster complete	01	1	M 339/M 249
	J33	nephrite green					J33	nephrite green			
	C53	graphite grey					C53	graphite grey			
	S33	savanna					S33	savanna			
	G13	metropole blue					G13	metropole blue			
	M33	boxster red					M33	boxster red			
	P13	cinnamon brown					P13	cinnamon brown			
	D12	dark grey/natural					D12	dark grey/natural			
	T12	brown/natural					T12	brown/natural			
1	996 641 982 42	C A R R E R A 4 instrument cluster complete	01	1	M 339 M 339/M 480	1	996 641 982 45	instrument cluster complete	01	1	(GB) M 339/ M 249
	J33	nephrite green					J33	nephrite green			
	C53	graphite grey					C53	graphite grey			
	S33	savanna					S33	savanna			
	G13	metropole blue					G13	metropole blue			
	M33	boxster red					M33	boxster red			
	P13	cinnamon brown					P13	cinnamon brown			
	D12	dark grey/natural					D12	dark grey/natural			
	T12	brown/natural					T12	brown/natural			
1	996 641 982 44	instrument cluster complete	01	1	(GB) M 339/ M 480	(1)	996 641 981 25	C A R R E R A 2 / 4 / 4 S instrument cluster complete	02-		X45
	J33	nephrite green					J33	nephrite green	02-	1	M 480
	C53	graphite grey									

Model	Year	MG	SG	Illustration	Restrictions	Update	13:26	23.08.2006	PORSCHE	PET	PORSCHE
996	05	9	06	906-02		203					

Pos	Part Number	Name	Remarks	Qty	Model	Pos	Part Number	Name	Remarks	Qty	Model
	C53	graphite grey					S33	savanna			
	S33	savanna					G13	metropole blue			
	G13	metropole blue					M33	boxster red			
	M33	boxster red					P13	cinnamon brown			
	P13	cinnamon brown					D12	dark grey/natural			
	D12	dark grey/natural					T12	brown/natural			
	T12	brown/natural						instrument cluster dial aluminium			X71
(1)	996 641 981 27	instrument cluster complete	02-	1	(GB) M 480			C A R R E R A 2	01		M 338
	J33	nephrite green				1	996 641 980 28	instrument cluster complete	01	1	M 338/M 480
	C53	graphite grey					70C	rally black			
	S33	savanna				1	996 641 980 30	instrument cluster complete	01	1	(GB) M 338/M 480
	G13	metropole blue					70C	rally black			
	M33	boxster red				1	996 641 980 29	instrument cluster complete	01	1	M 338/M 249
	P13	cinnamon brown					70C	rally black			
	D12	dark grey/natural				1	996 641 980 31	instrument cluster complete	01	1	(GB) M 338/M 249
	T12	brown/natural					70C	rally black			
(1)	996 641 981 26	instrument cluster complete	02-	1	M 249			C A R R E R A 4	01		M 339
	J33	nephrite green				1	996 641 982 48	instrument cluster complete	01	1	M 339/M 480
	C53	graphite grey					70C	rally black			
	S33	savanna				1	996 641 982 50	instrument cluster complete	01	1	(GB) M 339/M 480
	G13	metropole blue					70C	rally black			
	M33	boxster red				1	996 641 982 49	instrument cluster complete	01	1	M 339/M 249
	P13	cinnamon brown					70C	rally black			
	D12	dark grey/natural				1					
	T12	brown/natural									
(1)	996 641 981 28	instrument cluster complete	02-	1	(GB) M 249						
	J33	nephrite green									
	C53	graphite grey									

Model	Year	MG	SG	Illustration	Restrictions	Update	13:26	23.08.2006	PORSCHE	PET	PORSCHE
996	05	9	06	906-02		203					

Pos	Part Number	Name	Remarks	Qty	Model	Pos	Part Number	Name	Remarks	Qty	Model
1	996 641 982 51	instrument cluster complete	01	1	(GB) M 339/ M 249						
	70C	rally black									
		C A R R E R A 2 / 4 / 4S	02-		X71						
(1)	996 641 981 75	instrument cluster complete	02-	1	M 480						
	70C	rally black									
(1)	996 641 981 77	instrument cluster complete	02-	1	(GB) M 480						
	70C	rally black									
(1)	996 641 981 76	instrument cluster complete	02-	1	M 249						
	70C	rally black									
(1) A	996 641 981 68	instrument cluster complete	02	1	(GB) M 249						
	70C	rally black									
(1)	996 641 981 78	instrument cluster complete	02-	1	(GB) M 249						
	70C	rally black									
2	996 641 911 00	knob actuator tripmeter and clock		1							
3	999 631 304 90	bulb 12 V 3 W	01	X							
4	999 631 303 90	bulb 12 V 1,5 W	01	X							
5	999 631 302 90	bulb 12 V 1,2 W	01	X							
6	999 919 188 09	oval-head screw 5,0 X 30		2							
		- - - E N D - - -									



PORSCHE

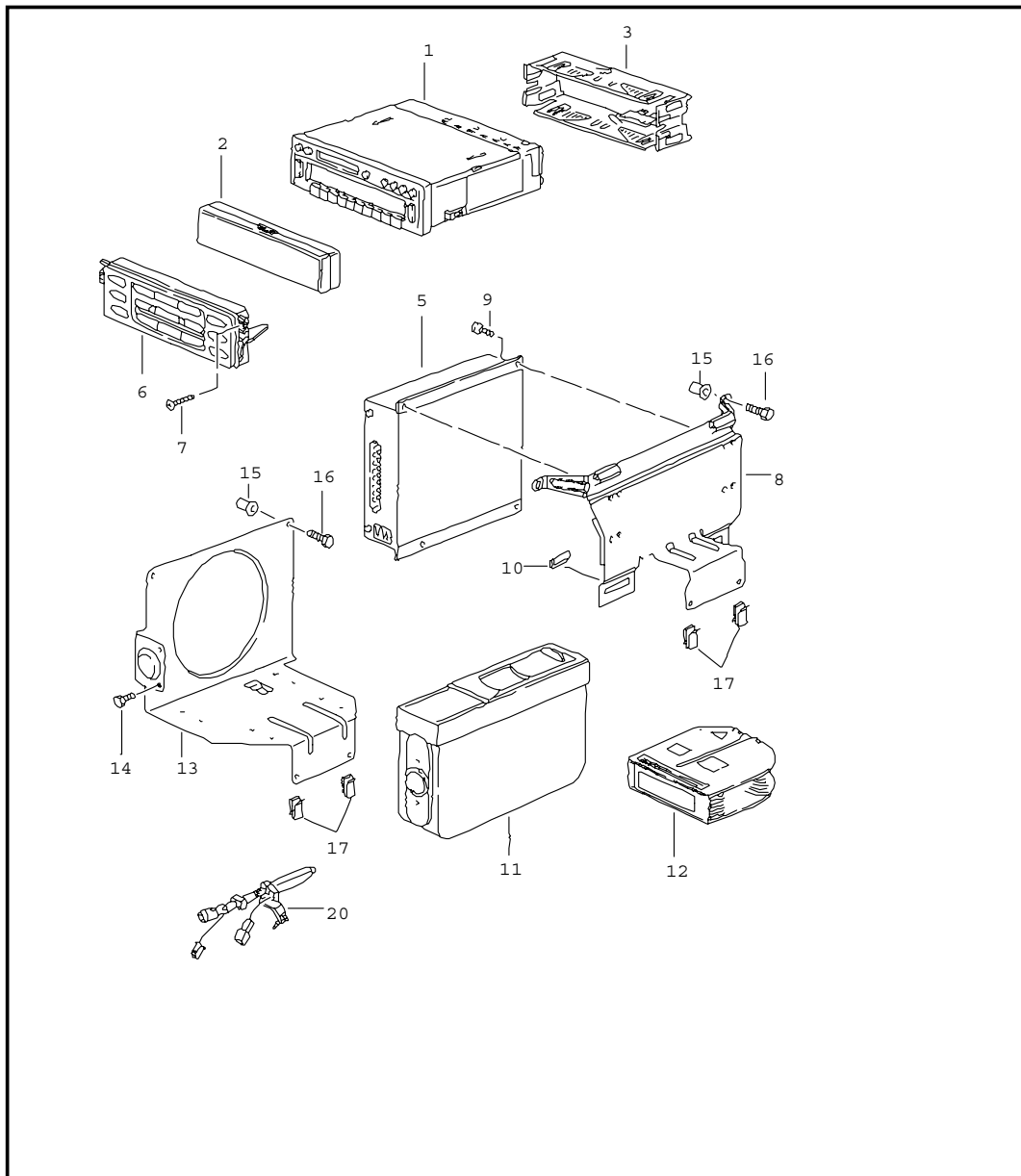
# PET

PORSCHE

Model	Year	MG	SG	Illustration	Restrictions	Update		
996	05	9	07	907-00		203	13:26	23.08.2006

Pos	Part Number	Name	Remarks	Qty	Model
		<p>cruise control</p> <p>see group 4/03/05</p> <p>- - - E N D - - -</p>			

Model	Year	MG	SG	Illustration	Restrictions	Update	13:26	23.08.2006	PORSCHE	PET	PORSCHE
996	05	9	11	911-00		203					



Pos	Part Number	Name	Remarks	Qty	Model
1	> 993 645 118 01	radio booster	-02 -02	1	M 330
1	> 993 645 116 01	radio CR - 31	-98	1	M 326
1	> 993 645 115 01	radio CR - 21	-98	1	M 320
1	> 993 645 119 01	radio CDR - 11	-98	1	M 686
2	993 645 190 00	case for control part radio	-98	1	
		new design radio see catalogue - TEQUIPMENT -	99-		
(2)	996 645 190 00	case for control part radio	99-	1	
3	993 645 173 00	retaining frame	-98	1	
-	996 645 106 00	alarm contact plate for radio	-01	1	
-	996 645 107 00	alarm contact plate for radio	02	1	
5	996 645 301 01	booster	-00	1	COUPE M 490
5	996 645 321 00	booster	01-02	1	COUPE M 490 TARGA M 490
5	996 645 303 01	booster	-00	1	CABRIO M 490
5	996 645 323 00	booster	01-	1	CABRIO M 490
-	996 610 149 00	cap connector housing booster		1	M 490
(5)	996 645 302 05	booster digital sound processing	98	1	COUPE M 680

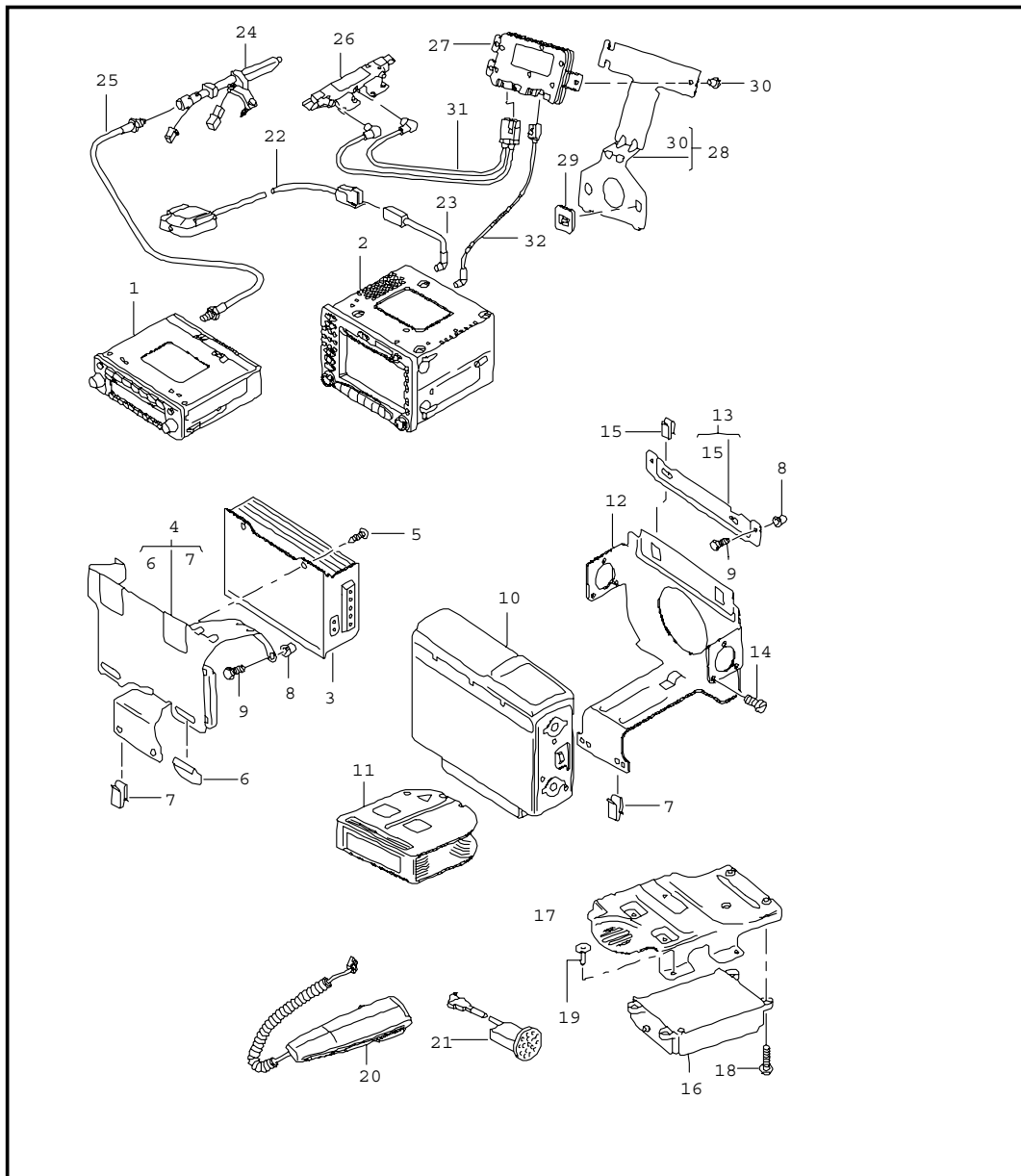
Model	Year	MG	SG	Illustration	Restrictions	Update	13:26	23.08.2006	PORSCHE	PET	PORSCHE
996	05	9	11	911-00		203					

Pos	Part Number	Name	Remarks	Qty	Model	Pos	Part Number	Name	Remarks	Qty	Model
(5)	996 645 312 00	booster digital sound processing	-00	1	COUPE M 680	(8)	996 645 236 00	support	/RL 99-	1	M 339/M 490/ M 680
(5)	996 645 322 01	booster digital sound processing	01	1	COUPE M 680	(8)	996 645 265 00	support	02	1	M 339/M 680
(5)	996 645 338 00	booster BOSE	02	1	COUPE M 680	(8)	996 645 239 01	support additional amplifier	02	1	M 339/M 680
(5)	996 645 304 04	booster digital sound processing	98	1	CABRIO M 680	9	900 143 031 02	oval-head sheetmetal screw 4,2 X 9,5		2	M 490/M 680
(5)	996 645 314 00	booster digital sound processing	-00	1	CABRIO M 680	10	999 507 510 02	u-clamp		2	M 490/M 680
(5)	996 645 324 01	booster digital sound processing	01	1	CABRIO M 680	(10)	999 591 954 09	u-clamp	/RL 99-	2	M 339/M 490/ M 680
(5)	996 645 339 00	booster BOSE	02	1	CABRIO/TARGA M 680	(10)	999 507 532 02	u-clamp	/RL 99-	2	M 339/M 490/ M 680
(5)	996 645 341 00	additional amplifier BOSE	02	1	M 680	-	999 591 725 02	speed nut ST 3,5	/LL 99-	1	M 339/M 490/ M 680
-	996 610 151 00	cap connector housing booster	/LL 02	1	M 338/M 490/ M 680	- U	999 507 771 40	plug 5,5 X 4,8	02	1	M 680
-	996 610 150 01	cover connector housing booster	/RL 02	1	M 338/M 490/ M 680	-	999 073 048 02	tapping screw 3,5 X 13	02	1	M 680
-	996 610 152 00	cap connector housing additional amplifier	02	1	M 338/M 680	11 >	993 645 130 00	cd changer CDC - 3		1	M 692
6	996 645 201 02	control part EFR gloss black	-01	1	M 680	12	993 645 113 00	rack for cd changer		1	M 692
7	999 919 182 09	oval-head screw 4,0 X 20	-01	2	M 680	13	996 645 221 00	support	/LL	1	M 338/M 692
8	996 646 025 01	support	-01	1	M 338/M 490/ M 680	(13)	996 645 222 00	support	/RL	1	M 338/M 692
8	996 646 025 01	support	02	1	M 338/M 490	(13)	996 645 231 00	support	/LL 99-	1	M 339/M 692
(8)	996 645 255 11	support	02	1	M 338/M 680	(13)	996 645 232 01	support	/RL	1	M 339/M 692
(8)	996 645 235 01	support upper part	/LL -01	1	M 339/M 490/ M 680	-	996 610 207 00	cable cover cd changer	/LL 99-	1	M 339/M 692
(8)	996 645 235 02	support upper part	/LL 02	1	M 339/M 490/ M 680	14	999 075 067 09	screw M 4 X 8		6	M 692
(8)	996 645 335 00	support lower part	/LL 99-	1	M 339/M 490/ M 680	15	999 500 078 00	sheetmetal press nut M 6		4	
						16	900 378 188 09	hexagon-head bolt M 6 X 20		4	
						17	999 507 532 02	u-clamp		4	
						20	996 647 105 00	antenna booster		1	

Model	Year	MG	SG	Illustration	Restrictions	Update					
996	05	9	11	911-00		203	13:26	23.08.2006	PORSCHE	PET	PORSCHE

Pos	Part Number	Name	Remarks	Qty	Model	Pos	Part Number	Name	Remarks	Qty	Model
-	996 612 072 00	connecting cable antenna booster radio		1							
		- - - E N D - - -									

Model	Year	MG	SG	Illustration	Restrictions	Update	13:27	23.08.2006	PORSCHE	PET	PORSCHE
996	05	9	11	911-01		203					



Pos	Part Number	Name	Remarks	Qty	Model
1	-	radio booster navigation system telephone	03- 03- 03- 03-		
		radio see catalogue TEQUIPMENT			
2	A 996 642 204 02	control part	03	1	M 665
	A05	black mat see technical information GR.9 , NR. 2/03 GR.9 , NR. 3/03			
2	A 996 642 204 03	control part	03	1	M 665
	A05	black mat see technical information GR.9 , NR. 2/03 GR.9 , NR. 3/03 GR.9 , NR.11/03			
2	A 996 642 204 04	control part	03	1	M 665
	A05	black mat see technical information GR.9 , NR. 2/03 GR.9 , NR. 3/03 GR.9 , NR.11/03			
2	A 996 642 204 05	control part	03-	1	M 665
	A05	black mat see technical information GR.9 , NR. 11/03			
2	A 996 642 204 06	control part	-04	1	M 665
	A05	black mat see technical information GR.9 , NR. 11/03			
2	> 996 642 204 07	control part	03-	1	M 665
	A05	black mat see technical information GR.9 , NR. 11/03			
(2)	A 996 642 214 02	control part	03	1	M665/490/680
	A05	black mat see technical information GR.9 , NR. 2/03 GR.9 , NR. 3/03			
(2)	A 996 642 214 03	control part	03	1	M665/490/680

Model	Year	MG	SG	Illustration	Restrictions	Update	13:27	23.08.2006	PORSCHE	PET	PORSCHE
996	05	9	11	911-01		203					

Pos	Part Number	Name	Remarks	Qty	Model	Pos	Part Number	Name	Remarks	Qty	Model
	A05	black mat see technical information GR.9 , NR. 2/03 GR.9 , NR. 3/03 GR.9 , NR.11/03				- A	996 642 034 01	cd-rom navigation system	04	1	(ZA) M 670
(2)	A 996 642 214 04	control part	03	1	M665/490/680	-	996 642 034 02	cd-rom see technical information GR.9 , NR. 11/03 navigation system	05	1	(ZA) M 670
	A05	black mat see technical information GR.9 , NR. 2/03 GR.9 , NR. 3/03 GR.9 , NR.11/03				-	996 642 035 01	cd-rom navigation system see technical information GR.9 , NR. 11/03	04	1	(SA) , (AG) M 670
(2)	A 996 642 214 05	control part	03-	1	M665/490/680	- A	996 642 036 01	cd-rom navigation system	04	1	(AUS) M 670
	A05	black mat see technical information GR,9 , NR. 11/03				-	996 642 036 02	cd-rom see technical information GR.9 , NR. 11/03 navigation system	05	1	(AUS) M 670
(2)	A 996 642 214 06	control part	-04	1	M665/490/680	-	996 642 037 01	cd-rom navigation system	04	1	M 068/M 074 M 670
	A05	black mat see technical information GR,9 , NR. 11/03				-	996 642 037 02	cd-rom see technical information GR.9 , NR. 11/03 navigation system	05	1	M 068/M 074 M 670
(2)	> 996 642 214 07	control part	03-	1	M665/490/680	3 U	996 645 331 01	booster see technical information GR.9 , NR. 2/03 GR.9 , NR. 3/03		1	M 490
	A05	black mat see technical information GR,9 , NR. 11/03				3 A	996 645 331 02	booster see technical information GR.9 , NR. 2/03 GR.9 , NR. 3/03	03	1	M 490
-	996 642 951 00	rotary knob for POS. 2	/L 03-	1		3	996 645 331 03	booster see technical information GR.9 , NR. 2/03 GR.9 , NR. 3/03	03-	1	M 490
-	996 642 952 00	rotary knob for POS. 2	/R 03-	1		(3) U	996 645 333 02	booster see technical information GR.9 , NR. 2/03 GR.9 , NR. 3/03	/LL 03	1	M 680
-	A 996 642 205 01	module navigation system	03	1	M 670	(3) A	996 645 333 03	booster see technical information GR.9 , NR. 2/03 GR.9 , NR. 3/03 GR.9 , NR.11/03	/LL 03	1	M 680
-	996 642 205 02	module navigation system	03-	1	M 670						
-	A 996 642 030 00	cd-rom navigation system see technical information GR.9 , NR. 11/03	03	1	M 670						
-	A 996 642 030 01	cd-rom navigation system	-04	1	M 670						
-	996 642 030 02	cd-rom see technical information GR.9 , NR. 11/03 navigation system	05	1	M 670						

Model	Year	MG	SG	Illustration	Restrictions	Update	13:27	23.08.2006	PORSCHE	PET	PORSCHE
996	05	9	11	911-01		203					

Pos	Part Number	Name	Remarks	Qty	Model	Pos	Part Number	Name	Remarks	Qty	Model
(3)	A 996 645 333 04	booster see technical information GR.9 , NR. 2/03 GR.9 , NR. 3/03 GR.9 , NR.11/03	/LL 03	1	M 680	4	996 645 255 01	support		1	M 338/M 490/ M 680
(3)	996 645 333 05	booster see technical information GR.9 , NR. 15/03 GR.9 , NR. 11/03	/LL 03-	1	M 680	(4)	996 645 265 00	support		1	M 339/M 490/ M 680
(3)	U 996 645 333 02	booster see technical information GR.9 , NR. 2/03 GR.9 , NR. 3/03	/RL 03	1	M 339/M 680	5	900 143 031 02	tapping screw 4,2 X 9,5		2	M 490/M 680
(3)	A 996 645 333 03	booster	/RL 03	1	M 339/M 680	6	999 507 510 02	u-clamp		2	M 490/M 680
(3)	A 996 645 333 04	booster see technical information GR.9 , NR. 2/03 GR.9 , NR. 3/03 GR.9 , NR.11/03	/RL 03	1	M 339/M 680	7	999 507 532 02	u-clamp		X	
(3)	996 645 333 05	booster see technical information GR.9 , NR. 15/03 GR.9 , NR. 11/03	/RL 03-	1	M 339/M 680	8	999 500 078 00	sheetmetal press nut M 6		X	
(3)	U 996 645 332 01	booster see technical information GR.9 , NR. 2/03 GR.9 , NR. 3/03	/RL 03	1	M 338/M 680	9	900 378 188 09	hexagon-head bolt M 6 X 20		X	
(3)	A 996 645 332 03	booster see technical information GR.9 , NR. 2/03 GR.9 , NR. 3/03 GR.9 , NR.11/03	/RL 03	1	M 338/M 680	(9)	900 380 015 09	hexagon nut M 6		2	M 339/M 490/ M 680
(3)	996 645 332 04	booster see technical information GR.9 , NR. 2/03 GR.9 , NR. 3/03 GR.9 , NR.11/03	/RL 03	1	M 338/M 680	10	A 996 645 140 01	cd changer CDC 4 adjustment installation attention see technical information GR.9 , NR. 2/03 GR.9 , NR. 3/03		1	M 692
(3)	996 645 332 05	booster see technical information GR.9 , NR. 15/03 GR.9 , NR. 11/03	/RL 03-	1	M 338/M 680	10 >	996 645 140 02	cd changer CDC 4 adjustment installation attention see technical information GR.9 , NR. 2/03 GR.9 , NR. 3/03	/RL	1	M 339/M 692
(3)	A 996 645 332 04	booster see technical information GR.9 , NR. 2/03 GR.9 , NR. 3/03 GR.9 , NR.11/03	/RL 03	1	M 338/M 680	10 >	997 645 140 02	cd changer CDC 4 adjustment installation attention see technical information GR.9 , NR. 2/03 GR.9 , NR. 3/03	/LL /RL	1	M 692 M 338/M 692
(3)	996 645 332 05	booster see technical information GR.9 , NR. 15/03 GR.9 , NR. 11/03	/RL 03-	1	M 338/M 680	11	996 645 113 00	rack cd changer		1	M 692
-	996 610 151 00	cap connector housing booster	/LL	1	M 338/M 490/ M 680	12	996 645 225 00	support		1	M 338/M 692
-	996 610 150 01	cap connector housing booster	/RL	1	M 338/M 490/ M 680	(12)	996 645 229 00	support	/LL	1	M 339/M 692
						(12)	996 645 230 00	support	/RL	1	M 339/M 692

Model	Year	MG	SG	Illustration	Restrictions	Update	13:27	23.08.2006	PORSCHE	PET	PORSCHE
996	05	9	11	911-01		203					

Pos	Part Number	Name	Remarks	Qty	Model	Pos	Part Number	Name	Remarks	Qty	Model
13	996 645 227 00	support		1	M 338/M 692	19	999 073 060 02	tapping screw 4,8 X 13		4	M 666
14	N 014 128 13	oval-head screw M 5 X 8		6	M 692			antenna telephone see group 9 /11/10			
15	999 591 954 09	u-clamp		2	M 338/M 692			receiver telephone		1	M 668
16	A 996 642 207 01	control unit telephone see technical information GR.9 , NR. 2/03 GR.9 , NR. 3/03	03	1	M 666	20	A 996 642 212 01	receiver telephone		1	M 668
16	A 996 642 207 02	control unit telephone see technical information GR.9 , NR. 2/03 GR.9 , NR. 3/03	03	1	M 666	20	996 642 212 02	receiver telephone		1	M 668
16	A 996 642 207 04	control unit telephone see technical information GR.9 , NR. 2/03 GR.9 , NR. 3/03	03	1	M 666	(20)	A 996 642 980 14	receiver telephone leather		1	XEA
16	A 996 642 207 05	control unit telephone see technical information GR.9 , NR. 9/04		1	M 666		A11	black			
16	A 997 646 207 01	control unit telephone		1	M 666		C51	graphite grey			
16	A 997 646 207 02	control unit F >>995S6 00354 F >>995S6 30090 F >>995S6 40515 telephone		1	M 666 COUPE TARGA CABRIO		S31	savanna			
16	> 997 646 208 04	control unit telephone F 995S6 00355>> F 995S6 30091>> F 995S6 40516>>  when required order also:		1	M 666 COUPE TARGA CABRIO		G11	metropole blue			
-	997 612 989 00	connecting line adapter for control unit 997.646.208.04		1	M 666		J31	nephrite green			
17	996 642 216 00	support		1	M 666		M31	boxster red			
18	900 378 035 09	hexagon-head bolt M 6 X 16		2	M 666		P12	cinnamon brown			
							D12	dark grey/natural			
							T12	brown/natural			



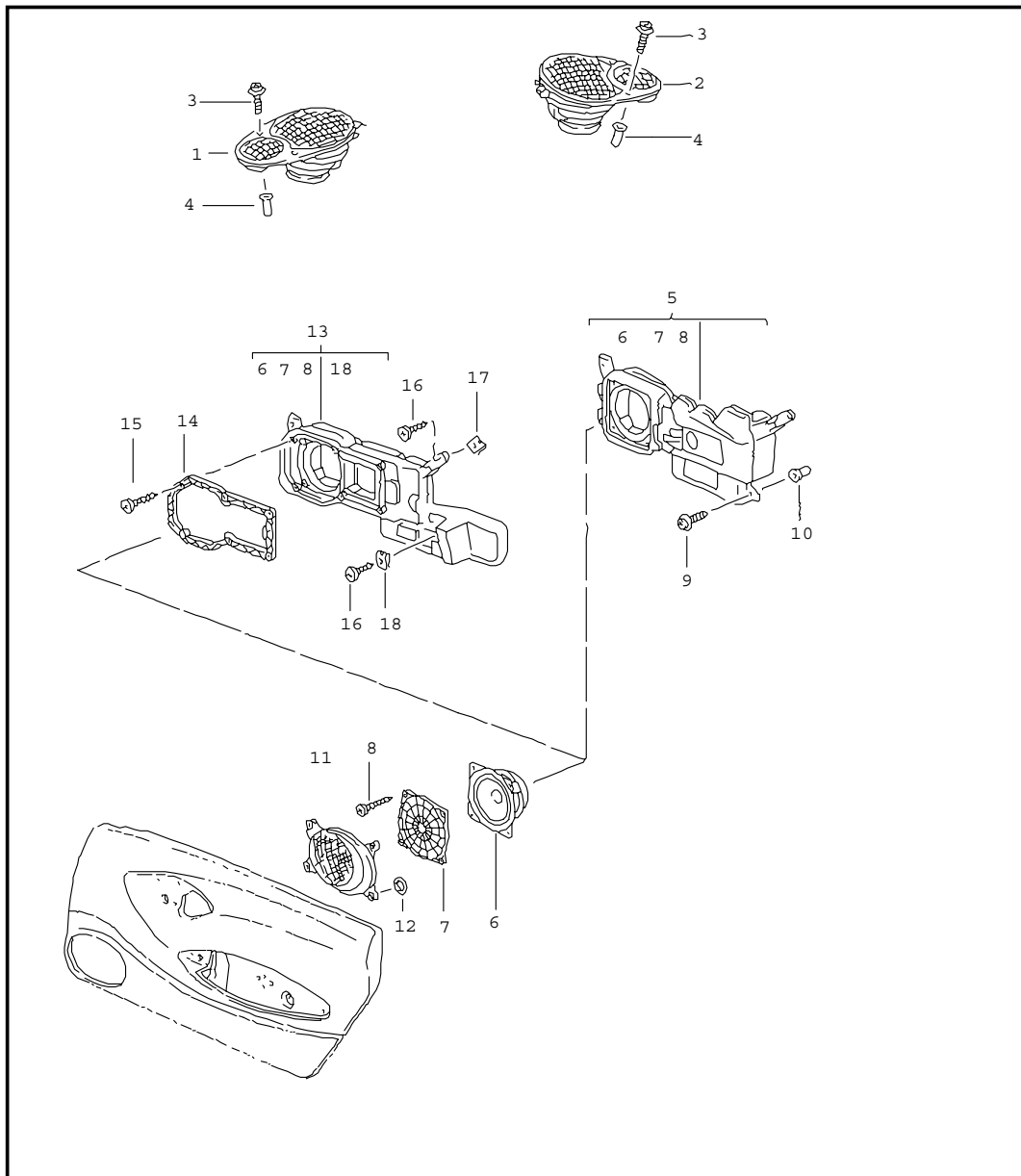
Model	Year	MG	SG	Illustration	Restrictions	Update					
996	05	9	11	911-01		203	13:27	23.08.2006	PORSCHE	PET	PORSCHE

Pos	Part Number	Name	Remarks	Qty	Model	Pos	Part Number	Name	Remarks	Qty	Model
		bracket telephone see group 9 /11/10					C53	graphite grey			
							S33	savanna			
21	996 646 307 02	microphone	/LL	1	M 618/M 666		G13	metropole blue			
	A03	black					J33	nephrite green			
	C53	graphite grey					M33	boxster red			
	S33	savanna					P13	cinnamon brown			
	G13	metropole blue				(21)	996 646 307 04	microphone	/LL	1	M 680
	J33	nephrite green					A03	black			
	M33	boxster red					C53	graphite grey			
	P13	cinnamon brown					S33	savanna			
(21)	996 646 308 02	microphone	/RL	1	M 618/M 666		G13	metropole blue			
	A03	black					J33	nephrite green			
	C53	graphite grey					M33	boxster red			
	S33	savanna					P13	cinnamon brown			
	G13	metropole blue				(21)	996 646 308 04	microphone	/RL	1	M 680
	J33	nephrite green					A03	black			
	M33	boxster red					C53	graphite grey			
	P13	cinnamon brown					S33	savanna			
(21)	996 646 307 03	microphone	/LL	1	M 618/M 666/ M 680		G13	metropole blue			
	A03	black					J33	nephrite green			
	C53	graphite grey					M33	boxster red			
	S33	savanna					P13	cinnamon brown			
	G13	metropole blue				22	996 642 206 00	antenna GPS		1	M 670
	J33	nephrite green				23	996 612 009 00	connecting line antenna module navigation system		1	M 670
	M33	boxster red				24	996 647 105 00	antenna booster radio		1	M 441
	P13	cinnamon brown				25	996 612 072 01	connecting line antenna booster radio		1	M 441
(21)	996 646 308 03	microphone	/RL	1	M 618/M 666/ M 680						
	A03	black									

Model	Year	MG	SG	Illustration	Restrictions	Update	13:27	23.08.2006	PORSCHE	PET	PORSCHE
996	05	9	11	911-01		203					

Pos	Part Number	Name	Remarks	Qty	Model	Pos	Part Number	Name	Remarks	Qty	Model
26	996 647 117 00	antenna booster	/L	1	M 440						
(26)	996 647 118 00	antenna booster	/R	1	M 440						
27	996 647 124 00	control unit		1	M 440						
28	996 647 202 00	support		1	M 440						
29	999 507 772 40	clip		1	M 440						
30	999 507 771 40	plug		1	M 440						
31	996 612 057 00	connecting line antenna booster left control unit	/LL	1	M 665						
(31)	996 612 067 00	connecting line antenna booster left control unit	/RL	1	M 665						
(31)	996 612 056 00	connecting line antenna booster right control unit	/LL	1	M 665						
(31)	996 612 066 00	connecting line antenna booster right control unit	/RL	1	M 665						
32	996 612 058 00	connecting line control unit control part connector CURRY	/LL	1	M 665						
(32)	996 612 068 00	connecting line control unit control part connector CURRY	/RL	1	M 665						
(32)	996 612 059 00	connecting line control unit control part connector natural colours	/LL	1	M 665						
(32)	996 612 069 00	connecting line control unit control part connector natural colours	/RL	1	M 665						
		- - - E N D - - -									

Model	Year	MG	SG	Illustration	Restrictions	Update	13:27	23.08.2006	PORSCHE	PET	PORSCHE
996	05	9	11	911-05		203					



Pos	Part Number	Name	Remarks	Qty	Model
		loudspeaker loudspeaker M 680/MJ.02- see group 9 / 11 / 06			
1	996 645 037 01	loudspeaker	/V/L	1	M 490
	A10	black	98		
	B50	space grey			
	C50	graphite grey			
	G10	metropole blue			
	J30	nephrite green			
	M30	boxster red			
	S30	savanna			
	P10	cinnamon brown			
(1)	996 645 035 01	loudspeaker	/V/L	1	M 441
	A10	black	98		
	B50	space grey			
	C50	graphite grey			
	G10	metropole blue			
	J30	nephrite green			
	M30	boxster red			
	S30	savanna			
	P10	cinnamon brown			
(1)	996 645 048 01	loudspeaker	/H/L /H/L 02- /H/R	1	COUPE M 490 TARGA M 490 CABRIO M 490
	A10	black	98		
	B50	space grey			
	C50	graphite grey			
	G10	metropole blue			
	J30	nephrite green			
	M30	boxster red			

Model	Year	MG	SG	Illustration	Restrictions	Update	13:27	23.08.2006	PORSCHE	PET	PORSCHE
996	05	9	11	911-05		203					

Pos	Part Number	Name	Remarks	Qty	Model	Pos	Part Number	Name	Remarks	Qty	Model
	S30	savanna					P10	cinnamon brown			
	P10	cinnamon brown				(2)	996 645 047 01	loudspeaker	/H/R /H/R 02- /H/L	1	COUPE M 490 TARGA M 490 CABRIO M 490
(1)	996 645 046 01	loudspeaker	/H/L /H/L 02- /H/R	1	COUPE M 441 TARGA M 441 CABRIO M 441		A10	black	98		
	A10	black	98				B50	space grey			
	B50	space grey					C50	graphite grey			
	C50	graphite grey					G10	metropole blue			
	G10	metropole blue					J30	nephrite green			
	J30	nephrite green					M30	boxster red			
	M30	boxster red					S30	savanna			
	S30	savanna					P10	cinnamon brown			
2	996 645 038 01	loudspeaker	/V/R	1	M 490	(2)	996 645 045 01	loudspeaker	/H/R /H/R 02- /H/L	1	COUPE M 441 TARGA M 441 CABRIO M 441
	A10	black	98				A10	black	98		
	B50	space grey					B50	space grey			
	C50	graphite grey					C50	graphite grey			
	G10	metropole blue					G10	metropole blue			
	J30	nephrite green					J30	nephrite green			
	M30	boxster red					M30	boxster red			
	S30	savanna					S30	savanna			
	P10	cinnamon brown					P10	cinnamon brown			
(2)	996 645 036 01	loudspeaker	/V/R	1	M 441	(2)	996 645 049 01	loudspeaker grille		4	
	A10	black	98				A10	black	98		
	B50	space grey					B50	space grey			
	C50	graphite grey					C50	graphite grey			
	G10	metropole blue					G10	metropole blue			
	J30	nephrite green					J30	nephrite green			
	M30	boxster red					M30	boxster red			
	S30	savanna					S30	savanna			

Model	Year	MG	SG	Illustration	Restrictions	Update	13:27	23.08.2006	PORSCHE	PET	PORSCHE
996	05	9	11	911-05		203					

Pos	Part Number	Name	Remarks	Qty	Model	Pos	Part Number	Name	Remarks	Qty	Model
	P10	cinnamon brown					G11	metropole blue			
1	996 645 037 02	loudspeaker	/V/L 99-	1	M 490		J31	nephrite green			
	01C	satin black					M31	boxster red			
(1)	996 645 035 02	loudspeaker	/V/L 99-	1	M 441		P12	cinnamon brown			
	01C	satin black					D12	dark grey/natural			
(1)	996 645 048 02	loudspeaker	/H/L 99- /H/L 02- /H/R 99-	1	COUPE M 490 TARGA M 490 CABRIO M 490	(1)	T12	brown/natural			
	01C	satin black				996 645 981 01	loudspeaker		/V/L 01-	1	M 441
(1)	996 645 046 02	loudspeaker	/H/L 99- /H/L 02- /H/R 99-	1	COUPE M 441 TARGA M 441 CABRIO M 441		VRK	black			
	01C	satin black					S31	savanna			
2	996 645 038 02	loudspeaker	/V/R 99-	1	M 490		C51	graphite grey			
	01C	satin black					G11	metropole blue			
(2)	996 645 036 02	loudspeaker	/V/R 99-	1	M 441		J31	nephrite green			
	01C	satin black					M31	boxster red			
(2)	996 645 047 02	loudspeaker	/H/R 99- /H/R 02- /H/L 99-	1	COUPE M 490 TARGA M 490 CABRIO M 490	2	P12	cinnamon brown			
	01C	satin black				996 645 984 01	loudspeaker		/V/R 01-	1	M 490
(2)	996 645 045 02	loudspeaker	/H/R 99- /H/R 02- /H/L 99-	1	COUPE M 441 TARGA M 441 CABRIO M 441		VRK	black			
	01C	satin black					S31	savanna			
(2)	996 645 049 02	loudspeaker grille	99-	4			C51	graphite grey			
	01C	satin black					G11	metropole blue			
		loudspeaker front leather			XKL/XKM/XKN/ XKP		J31	nephrite green			
1	996 645 983 01	loudspeaker	/V/L 01-	1	M 490		M31	boxster red			
	VRK	black					P12	cinnamon brown			
	S31	savanna					D12	dark grey/natural			
	C51	graphite grey					T12	brown/natural			
						(2)	996 645 982 01	loudspeaker	/V/R 01-	1	M 441
							VRK	black			
							S31	savanna			

Model	Year	MG	SG	Illustration	Restrictions	Update	13:27	23.08.2006	PORSCHE	PET	PORSCHE
996	05	9	11	911-05		203					

Pos	Part Number	Name	Remarks	Qty	Model	Pos	Part Number	Name	Remarks	Qty	Model
	C51	graphite grey					D12	dark grey/natural			
	G11	metropole blue					T12	brown/natural			
	J31	nephrite green				(2)	996 645 988 05	loudspeaker	/H/R 01- /H/R 02- /H/L 01-	1	COUPE M 490 TARGA M 490 CABRIO M 490
	M31	boxster red					VRK	black			
	P12	cinnamon brown					S31	savanna			
	D12	dark grey/natural					C51	graphite grey			
	T12	brown/natural					G11	metropole blue			
		loudspeaker rear leather			XXL		J31	nephrite green			
(1)	996 645 989 05	loudspeaker	/H/L 01- /H/L 02- /H/R 01-	1	COUPE M 490 TARGA M 490 CABRIO M 490		M31	boxster red			
	VRK	black					P12	cinnamon brown			
	S31	savanna					D12	dark grey/natural			
	C51	graphite grey				(2)	996 645 986 05	loudspeaker	/H/R 01- /H/R 02- /H/L 01-	1	COUPE M 441 TARGA M 441 CABRIO M 441
	G11	metropole blue					VRK	black			
	J31	nephrite green					S31	savanna			
	M31	boxster red					C51	graphite grey			
	P12	cinnamon brown					G11	metropole blue			
	D12	dark grey/natural					J31	nephrite green			
(1)	996 645 987 05	loudspeaker	/H/L 01- /H/L 02- /H/R 01-	1	COUPE M 441 TARGA M 441 CABRIO M 441		M31	boxster red			
	VRK	black					P12	cinnamon brown			
	S31	savanna					D12	dark grey/natural			
	C51	graphite grey					T12	brown/natural			
	G11	metropole blue						loudspeaker rear light maple rootwood			XKM
	J31	nephrite green				(1)	996 645 989 01	loudspeaker	/H/L 01- /H/L 02- /H/R 01-	1	COUPE M 490 TARGA M 490 CABRIO M 490
	M31	boxster red					A03	black			
	P12	cinnamon brown									

Model	Year	MG	SG	Illustration	Restrictions	Update	13:27	23.08.2006	PORSCHE	PET	PORSCHE
996	05	9	11	911-05		203					

Pos	Part Number	Name	Remarks	Qty	Model	Pos	Part Number	Name	Remarks	Qty	Model
	C53	graphite grey					T12	brown/natural			
	S33	savanna				(2)	996 645 986 01	loudspeaker	/H/R 01- /H/R 02- /H/L 01-	1	COUPE M 441 TARGA M 441 CABRIO M 441
	G13	metropole blue					A03	black			
	J33	nephrite green					C53	graphite grey			
	M33	boxster red					S33	savanna			
	P13	cinnamon brown					G13	metropole blue			
	D12	dark grey/natural					J33	nephrite green			
	T12	brown/natural					M33	boxster red			
(1)	996 645 987 01	loudspeaker	/H/L 01- /H/L 02- /H/R 01-	1	COUPE M 441 TARGA M 441 CABRIOM 441		P13	cinnamon brown			
	A03	black					D12	dark grey/natural			
	C53	graphite grey					T12	brown/natural			
	S33	savanna						loudspeaker rear dark maple rootwood			XKN
	G13	metropole blue				(2)	996 645 989 02	loudspeaker	/H/L 01- /H/L 02- /H/R 01-	1	COUPE M 490 TARGA M 490 CABRIO M 490
	J33	nephrite green					A03	black			
	M33	boxster red					C53	graphite grey			
	P13	cinnamon brown					S33	savanna			
	D12	dark grey/natural					G13	metropole blue			
	T12	brown/natural					J33	nephrite green			
(2)	996 645 988 01	loudspeaker	/H/R 01- /H/R 02- /H/L 01-	1	COUPE M 490 TARGA M 490 CABRIO M 490		M33	boxster red			
	A03	black					P13	cinnamon brown			
	C53	graphite grey					D12	dark grey/natural			
	S33	savanna					T12	brown/natural			
	G13	metropole blue				(2)	996 645 987 02	loudspeaker	/H/L 01- /H/L 02- /H/R 01-	1	COUPE M 441 TARGA M 441 CABRIO M 441
	J33	nephrite green					A03	black			
	M33	boxster red					C53	graphite grey			
	P13	cinnamon brown									
	D12	dark grey/natural									

Model	Year	MG	SG	Illustration	Restrictions	Update	13:27	23.08.2006	PORSCHE	PET	PORSCHE
996	05	9	11	911-05		203					

Pos	Part Number	Name	Remarks	Qty	Model	Pos	Part Number	Name	Remarks	Qty	Model
	S33	savanna						loudspeaker rear carbon			XKP
	G13	metropole blue				(1)	996 645 989 03	loudspeaker	/H/L 01- /H/L 02- /H/R 01-	1	COUPE M 490 TARGA M 490 CABRIO M 490
	J33	nephrite green					A03	black			
	M33	boxster red					C53	graphite grey			
	P13	cinnamon brown					S33	savanna			
	D12	dark grey/natural					G13	metropole blue			
	T12	brown/natural					J33	nephrite green			
(2)	996 645 988 02	loudspeaker	/H/R 01- /H/R 02- /H/L 01-	1	COUPE M 490 TARGA M 490 CABRIO M 490		M33	boxster red			
	A03	black					P13	cinnamon brown			
	C53	graphite grey					D12	dark grey/natural			
	S33	savanna					T12	brown/natural			
	G13	metropole blue				(1)	996 645 987 03	loudspeaker	/H/L 01- /H/L 02- /H/R 01-	1	COUPE M 441 TARGA M 441 CABRIO M 441
	J33	nephrite green					A03	black			
	M33	boxster red					C53	graphite grey			
	P13	cinnamon brown					S33	savanna			
	D12	dark grey/natural					G13	metropole blue			
	T12	brown/natural					J33	nephrite green			
(2)	996 645 986 02	loudspeaker	/H/R 01- /H/R 02- /H/L 01-	1	COUPE M 441 TARGA M 441 CABRIO M 441		M33	boxster red			
	A03	black					P13	cinnamon brown			
	C53	graphite grey					D12	dark grey/natural			
	S33	savanna					T12	brown/natural			
	G13	metropole blue				(2)	996 645 988 03	loudspeaker	/H/R 01- /H/R 02- /H/L 01-	1	COUPE M 490 TARGA M 490 CABRIO M 490
	J33	nephrite green					A03	black			
	M33	boxster red					C53	graphite grey			
	P13	cinnamon brown					S33	savanna			
	D12	dark grey/natural									
	T12	brown/natural									



Model	Year	MG	SG	Illustration	Restrictions	Update	13:27	23.08.2006	PORSCHE	PET	PORSCHE
996	05	9	11	911-05		203					

Pos	Part Number	Name	Remarks	Qty	Model	Pos	Part Number	Name	Remarks	Qty	Model
	G13	metropole blue				6	996 645 501 00	woofer	-02	2	M 490
	J33	nephrite green				6	996 645 502 00	woofer	03-	2	M 490
	M33	boxster red				7	996 645 550 00	grille		2	M 490
	P13	cinnamon brown				(8)	999 919 176 07	oval-head screw 4,0 X 16		8	M 490
	D12	dark grey/natural				9	999 919 123 09	oval-head screw 5,0 X 20	98	8	M 490
	T12	brown/natural				(9)	999 073 061 02	tapping screw ST 4,8 X 16 only together with 999.591.499.02	-00	8	M 490
(2)	996 645 986 03	loudspeaker	/H/R 01- /H/R 02- /H/L 01-	1	COUPE M 441 TARGA M 441 CABRIO M 441	10	999 920 013 40	special nut 5,0	98	8	M 490
	A03	black				(10)	999 591 499 02	speed nut 4,8 only together with 999.073.061.02	-00	8	M 490
	C53	graphite grey				11	996 555 801 01	loudspeaker grille		2	M 490
	S33	savanna					D05	granite grey	-99		
	G13	metropole blue					A03	black	00-		
	J33	nephrite green				(11)	000 043 206 22	loudspeaker grille leather	01-	2	M 490/XKL
	M33	boxster red					VRK	black			
	P13	cinnamon brown					S31	savanna			
	D12	dark grey/natural					C51	graphite grey			
	T12	brown/natural					G11	metropole blue			
3	999 919 166 07	oval-head screw 4,0 X 30	-01	8			J31	nephrite green			
3	999 919 166 07	oval-head screw 4,0 X 30	/H 02-	4			M31	boxster red			
(3)	999 073 224 09	tapping screw 4,2 X 25	/V 02-	4			P12	cinnamon brown			
4	999 920 015 40	special nut 4,0	-01	8			D12	dark grey/natural			
4	999 920 015 40	special nut 4,0	/H 02-	4			T12	brown/natural			
(4)	999 507 767 02	speed nut 4,2	/V 02-	2		(11)	000 043 206 23	loudspeaker grille light maple rootwood	/L 01-	1	M 490/XKM
(4)	999 507 768 02	speed nut 4,2	/V 02-	2			A03	black			
(5)	996 645 011 01	loudspeaker	/L -00	1	M 490		C53	graphite grey			
5	996 645 012 01	loudspeaker	/R -00	1	M 490						

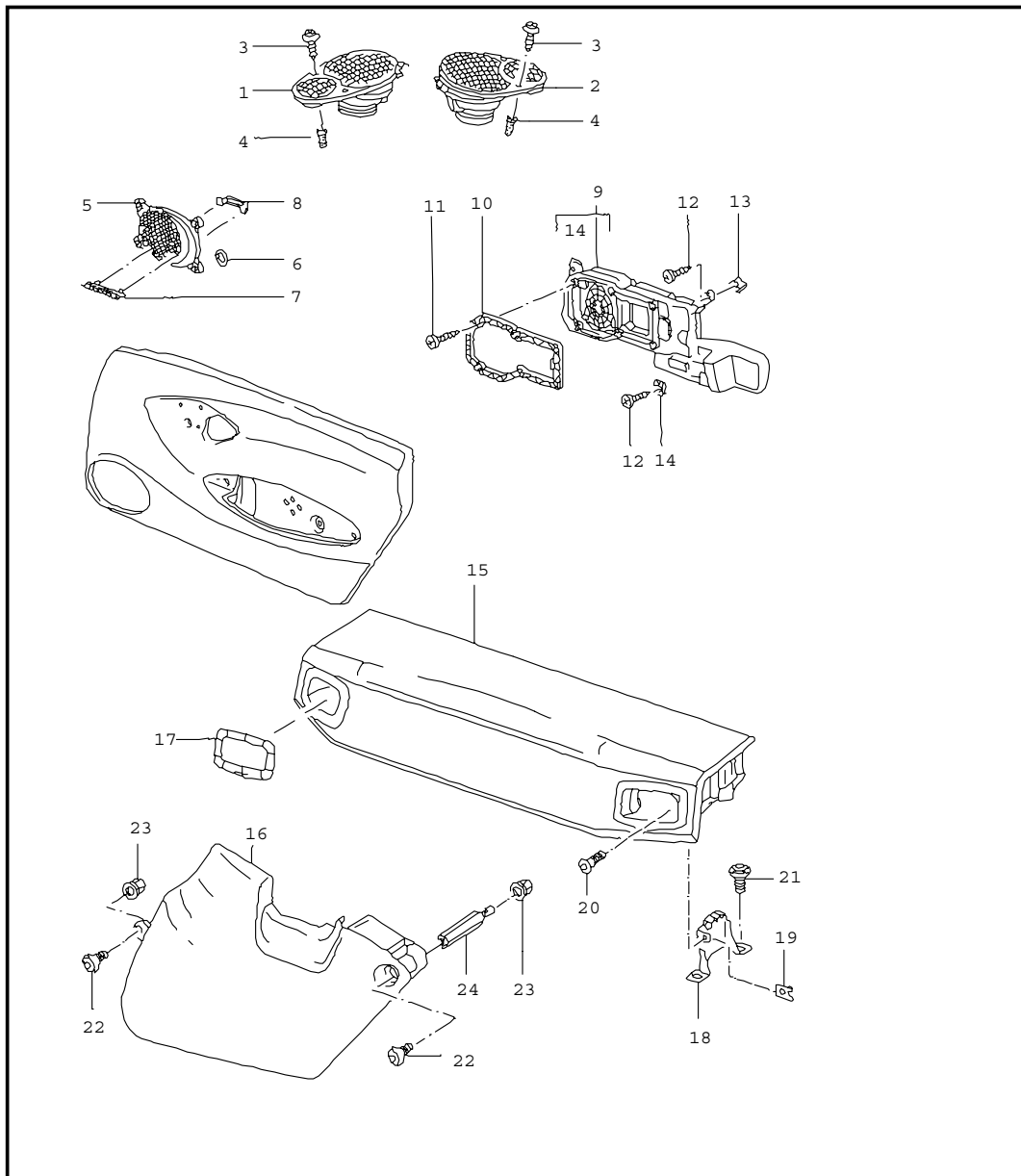
Model	Year	MG	SG	Illustration	Restrictions	Update	13:27	23.08.2006	PORSCHE	PET	PORSCHE
996	05	9	11	911-05		203					

Pos	Part Number	Name	Remarks	Qty	Model	Pos	Part Number	Name	Remarks	Qty	Model
		S33 savanna					A03	black			
		G13 metropole blue					C53	graphite grey			
		J33 nephrite green					S33	savanna			
		M33 boxster red					G13	metropole blue			
		P13 cinnamon brown					J33	nephrite green			
		D12 dark grey/natural					M33	boxster red			
		T12 brown/natural					P13	cinnamon brown			
(11)	000 043 206 49	loudspeaker grille light maple rootwood	/R 01-	1	M 490/XKM		D12	dark grey/natural			
		A03 black					T12	brown/natural			
		C53 graphite grey				(11)	000 043 206 25	loudspeaker grille carbon	/L 01-	1	M 490/XKP
		S33 savanna					A03	black			
		G13 metropole blue					C53	graphite grey			
		J33 nephrite green					S33	savanna			
		M33 boxster red					G13	metropole blue			
		P13 cinnamon brown					J33	nephrite green			
		D12 dark grey/natural					M33	boxster red			
		T12 brown/natural					P13	cinnamon brown			
(11)	000 043 206 24	loudspeaker grille dark maple rootwood	/L 01-	1	M 490/XKN		D12	dark grey/natural			
		A03 black					T12	brown/natural			
		C53 graphite grey				(11)	000 043 206 51	loudspeaker grille carbon	/R 01-	1	M 490/XKP
		S33 savanna					A03	black			
		G13 metropole blue					C53	graphite grey			
		J33 nephrite green					S33	savanna			
		M33 boxster red					G13	metropole blue			
		P13 cinnamon brown					J33	nephrite green			
		D12 dark grey/natural					M33	boxster red			
		T12 brown/natural					P13	cinnamon brown			
(11)	000 043 206 50	loudspeaker grille dark maple rootwood	/R 01-	1	M 490/XKN		D12	dark grey/natural			

Model	Year	MG	SG	Illustration	Restrictions	Update	13:27	23.08.2006	PORSCHE	PET	PORSCHE
996	05	9	11	911-05		203					

Pos	Part Number	Name	Remarks	Qty	Model	Pos	Part Number	Name	Remarks	Qty	Model
		T12 brown/natural									
(11)	000 043 206 88	loudspeaker grille frame leather grille aluminium look		2	M 490/XTR						
		A10 black									
		C50 graphite grey									
		S30 savanna									
		G10 metropole blue									
		J30 nephrite green									
		M30 boxer red									
		P11 cinnamon brown									
		D11 dark grey/natural									
		T11 brown/natural									
12	999 591 946 02	clamping washer 5,0		8	M 490						
13	996 645 551 00	loudspeaker	/L -02	1	M 490						
13	996 645 551 01	loudspeaker	/L 03-	1	M 490						
(13)	996 645 552 00	loudspeaker	/R -02	1	M 490						
(13)	996 645 552 01	loudspeaker	/R 03-	1	M 490						
14	996 645 553 00	frame	01-	2	M 490						
15	999 919 086 02	oval-head screw 4,0 X 14	01-	12	M 490						
16	999 073 061 02	tapping screw 4,8 X 16	01-	8	M 490						
17	999 591 499 02	speed nut 4,8	01-	6	M 490						
18	999 507 759 09	speed nut 4,8	01-	2	M 490						
		- - - E N D - - -									

Model	Year	MG	SG	Illustration	Restrictions	Update	13:27	23.08.2006	PORSCHE	PET	PORSCHE
996	05	9	11	911-06		203					



Pos	Part Number	Name	Remarks	Qty	Model
		loudspeaker	02-		M 680
1	996 645 033 00	loudspeaker	/V/L	1	M 680
	C50	graphite grey			
	G10	metropole blue			
	J30	nephrite green			
	M30	boxster red			
	S30	savanna			
	P10	cinnamon brown			
(1)	996 645 044 00	loudspeaker	/H/L /H/L /H/R	1	COUPE M 680 TARGA M 680 CABRIO M 680
	C50	graphite grey			
	G10	metropole blue			
	J30	nephrite green			
	M30	boxster red			
	S30	savanna			
	P10	cinnamon brown			
2	996 645 034 00	loudspeaker	/V/R	1	M 680
	C50	graphite grey			
	G10	metropole blue			
	J30	nephrite green			
	M30	boxster red			
	S30	savanna			
	P10	cinnamon brown			
(2)	996 645 043 00	loudspeaker	/H/R /H/R /H/L	1	COUPE M 680 TARGA M 680 CABRIO M 680
	C50	graphite grey			
	G10	metropole blue			
	J30	nephrite green			
	M30	boxster red			

Model	Year	MG	SG	Illustration	Restrictions	Update	13:27	23.08.2006	PORSCHE	PET	PORSCHE
996	05	9	11	911-06		203					

Pos	Part Number	Name	Remarks	Qty	Model	Pos	Part Number	Name	Remarks	Qty	Model
	S30	savanna					J31	nephrite green			
	P10	cinnamon brown					M31	boxster red			
1	996 645 033 01	loudspeaker	/V/L	1	M 680		P12	cinnamon brown			
	01C	satin black					D12	dark grey/natural			
(1)	996 645 044 01	loudspeaker	/H/L /H/L /H/R	1	COUPE M 680 TARGA M 680 CABRIO M 680		T12	brown/natural			
	01C	satin black						loudspeaker rear leather			XKL
2	996 645 034 01	loudspeaker	/V/R	1	M 680	(1)	996 645 989 06	loudspeaker	/H/L /H/L /H/R	1	COUPE M 680 TARGA M 680 CABRIO M 680
	01C	satin black					VRK	black			
(2)	996 645 043 01	loudspeaker	/H/R /H/R /H/L	1	COUPE M 680 TARGA M 680 CABRIO M 680		S31	savanna			
	01C	satin black					C51	graphite grey			
		loudspeaker front leather			XKL/XKM/XKN/XKP		G11	metropole blue			
1	996 645 983 02	loudspeaker	/V/L	1	M 680		J31	nephrite green			
	VRK	black					M31	boxster red			
	S31	savanna					P12	cinnamon brown			
	C51	graphite grey					D12	dark grey/natural			
	G11	metropole blue					T12	brown/natural			
	J31	nephrite green				(2)	996 645 988 06	loudspeaker	/H/R /H/R /H/L	1	COUPE M 680 TARGA M 680 CABRIO M 680
	M31	boxster red					VRK	black			
	P12	cinnamon brown					S31	savanna			
	D12	dark grey/natural					C51	graphite grey			
	T12	brown/natural					G11	metropole blue			
2	996 645 984 02	loudspeaker	/V/R	1	M 680		J31	nephrite green			
	VRK	black					M31	boxster red			
	S31	savanna					P12	cinnamon brown			
	C51	graphite grey					D12	dark grey/natural			
	G11	metropole blue					T12	brown/natural			

Model	Year	MG	SG	Illustration	Restrictions	Update	13:27	23.08.2006	PORSCHE	PET	PORSCHE
996	05	9	11	911-06		203					

Pos	Part Number	Name	Remarks	Qty	Model	Pos	Part Number	Name	Remarks	Qty	Model			
(1)	996 645 989 07	loudspeaker rear light maple rootwood			XKM	(2)	996 645 988 08	graphite grey			1	COUPE M 680 TARGA M 680 CABRIO M 680		
		loudspeaker	/H/L /H/L /H/R					S33	savanna					
		A03	black					G13	metropole blue					
		C53	graphite grey					J33	nephrite green					
		S33	savanna					M33	boxster red					
		G13	metropole blue					P13	cinnamon brown					
		J33	nephrite green					D12	dark grey/natural					
		M33	boxster red					T12	brown/natural					
		P13	cinnamon brown						loudspeaker	/H/R /H/R /H/L				
		D12	dark grey/natural						A03	black				
T12	brown/natural				C53	graphite grey								
(2)	996 645 988 07	loudspeaker	/H/R /H/R /H/L					loudspeaker				XKP		
		A03	black					rear carbon						
		C53	graphite grey					loudspeaker	/H/L /H/L /H/R					
		S33	savanna					rear						
		G13	metropole blue					carbon						
		J33	nephrite green					loudspeaker						
		M33	boxster red					rear						
		P13	cinnamon brown					carbon						
		D12	dark grey/natural					loudspeaker						
		T12	brown/natural					rear						
(1)	996 645 989 08	loudspeaker rear dark maple rootwood			XKN	(1)	996 645 989 09	graphite grey						
		loudspeaker	/H/L /H/L /H/R					S33	savanna					
		A03	black					G13	metropole blue					
								J33	nephrite green					
								M33	boxster red					

Model	Year	MG	SG	Illustration	Restrictions	Update	13:27	23.08.2006	PORSCHE	PET	PORSCHE
996	05	9	11	911-06		203					

Pos	Part Number	Name	Remarks	Qty	Model	Pos	Part Number	Name	Remarks	Qty	Model
(2)	P13	cinnamon brown			COUPE M 680 TARGA M 680 CABRIO M 680	(5)	J31	nephrite green		1	M 680/XKM
	D12	dark grey/natural					M31	boxster red			
	T12	brown/natural					P12	cinnamon brown			
	996 645 988 09	loudspeaker	/H/R /H/R /H/L				D12	dark grey/natural			
	A03	black					T12	brown/natural			
	C53	graphite grey					000 043 206 23	loudspeaker grille light maple rootwood	/L		
	S33	savanna					A03	black			
	G13	metropole blue					C53	graphite grey			
	J33	nephrite green					S33	savanna			
	M33	boxster red					G13	metropole blue			
	P13	cinnamon brown					J33	nephrite green			
	D12	dark grey/natural					M33	boxster red			
	T12	brown/natural					P13	cinnamon brown			
	3	999 919 166 07	oval-head screw 4,0 X 30	/H			4	D12	dark grey/natural		
(3)	999 073 224 09	tapping screw 4,2 X 25	/V	4	T12	brown/natural					
4	999 920 015 40	special nut 4,0	/H	4	000 043 206 49	loudspeaker grille light maple rootwood	/R				
(4)	999 507 767 02	speed nut 4,2	/V	2	A03	black					
(4)	999 507 768 02	speed nut 4,2	/V	2	C53	graphite grey					
5	996 555 801 01	loudspeaker grille		2	S33	savanna					
(5)	A03	black			G13	metropole blue					
	000 043 206 22	loudspeaker grille leather		2	J33	nephrite green					
	VRK	black			M33	boxster red					
	S31	savanna			P13	cinnamon brown					
	C51	graphite grey			D12	dark grey/natural					
	G11	metropole blue			T12	brown/natural					
(5)					000 043 206 24	loudspeaker grille dark maple rootwood	/L				
					A03	black					
					C53	graphite grey					

Model	Year	MG	SG	Illustration	Restrictions	Update					
996	05	9	11	911-06		203	13:27	23.08.2006	PORSCHE	PET	PORSCHE

Pos	Part Number	Name	Remarks	Qty	Model	Pos	Part Number	Name	Remarks	Qty	Model
	S33	savanna					A03	black			
	G13	metropole blue					C53	graphite grey			
	J33	nephrite green					S33	savanna			
	M33	boxster red					G13	metropole blue			
	P13	cinnamon brown					J33	nephrite green			
	D12	dark grey/natural					M33	boxster red			
	T12	brown/natural					P13	cinnamon brown			
(5)	000 043 206 50	loudspeaker grille dark maple rootwood	/R	1	M 680/XKN		D12	dark grey/natural			
	A03	black					T12	brown/natural			
	C53	graphite grey				(5)	000 043 206 88	loudspeaker grille frame leather grille aluminium look		2	M 680/XTR
	S33	savanna					A10	black			
	G13	metropole blue					C50	graphite grey			
	J33	nephrite green					S30	savanna			
	M33	boxster red					G10	metropole blue			
	P13	cinnamon brown					J30	nephrite green			
	D12	dark grey/natural					M30	boxster red			
	T12	brown/natural					P11	cinnamon brown			
(5)	000 043 206 25	loudspeaker grille carbon	/L	1	M 680/XKP		D11	dark grey/natural			
	A03	black					T11	brown/natural			
	C53	graphite grey				6	999 591 946 02	clamping washer 5,0		8	M 680
	S33	savanna				7	996 645 511 00	logo		2	M 680
	G13	metropole blue				8	996 645 512 00	clip		2	M 680
	J33	nephrite green				9	996 645 561 00	loudspeaker	/L	1	M 680
	M33	boxster red				(9)	996 645 562 00	loudspeaker	/R	1	M 680
	P13	cinnamon brown				10	996 645 553 00	frame		2	M 680
	D12	dark grey/natural				11	999 919 086 02	oval-head screw 4,0 X 14		12	M 680
	T12	brown/natural									
(5)	000 043 206 51	loudspeaker grille carbon	/R	1	M 608/XKP						



Model	Year	MG	SG	Illustration	Restrictions	Update	13:27	23.08.2006	PORSCHE	PET	PORSCHE
996	05	9	11	911-06		203					

Pos	Part Number	Name	Remarks	Qty	Model	Pos	Part Number	Name	Remarks	Qty	Model
12	999 073 061 02	tapping screw 4,8 X 16		8	M 680		S30	savanna			
13	999 591 499 02	speed nut 4,8		6	M 680		G10	metropole blue			
14	999 507 759 09	speed nut 4,8		2	M 680		J30	nephrite green			
		subwoofer			M 680		M30	boxster red			
15	996 645 564 00	subwoofer	/H	1	COUPE M 680		P11	cinnamon brown			
	FFB	black					D11	dark grey/natural			
	FFC	graphite grey					T11	brown/natural			
	FFD	savanna				17	996 645 568 00	rose	/H	2	COUPE M 680
	FFE	metropole blue					A10	black			
	FFG	nephrite green					C50	graphite grey			
	FFH	boxster red					S30	savanna			
	FFJ	cinnamon brown					G10	metropole blue			
	VSP	dark grey/natural					J30	nephrite green			
	VSQ	brown/natural					M30	boxster red			
							P10	cinnamon brown			
16	996 645 567 00	subwoofer	/LL /LL	1	CABRIO M 680 TARGA M 680	(18)	996 645 245 00	support	/L	1	COUPE M 680
	A10	black				18	996 645 246 00	support	/R	1	COUPE M 680
	C50	graphite grey				19	999 507 766 02	speed nut M 6		2	COUPE M 680
	S30	savanna				20	999 073 113 09	oval-head screw M 6,0 X 50 ASP		2	COUPE M 680
	G10	metropole blue				21	900 380 015 09	hexagon nut VM 6		4	COUPE M 680
	J30	nephrite green				22	999 073 223 07	oval-head screw M 6,0 X 25		2	CABRIO M 680 TARGA M 680
	M30	boxster red				23	999 500 069 02	blind rivet nut M 6/0,5 - 3		2	CABRIO M 680 TARGA M 680
	P11	cinnamon brown				24	999 061 272 36	spacer bolt M 6 X 82,5		1	CABRIO M 680 TARGA M 680
	D11	dark grey/natural						- - - E N D - - -			
	T11	brown/natural									
(16)	996 645 566 00	subwoofer	/RL /RL	1	CABRIO M 680 TARGA M 680						
	A10	black									
	C50	graphite grey									



Model	Year	MG	SG	Illustration	Restrictions	Update	13:27	23.08.2006	PORSCHE	PET	PORSCHE
996	05	9	11	911-10		203					

Pos	Part Number	Name	Remarks	Qty	Model	Pos	Part Number	Name	Remarks	Qty	Model
6	999 507 550 0A	speed nut M 6 for support 997.647.127/128.00	04-	4			G18	metropole blue	99		
							B18	space grey	99		
							A12	black	00-		
7	999 073 210 00	tapping screw 4,8 X 13	01-	2			C52	graphite grey	00-		
							S32	savanna	00-		
8	999 507 441 02	speed nut 4,8	01-	2			G12	metropole blue	00-		
9	996 612 086 00	extension cable	-00	1	COUPE		B52	space grey	00-		
9	986 612 096 00	extension cable	-00	1	CABRIO		J32	nephrite green	01-		
9	996 612 037 00	extension cable	01-	1	M 618	(11)	996 552 093 04	bracket leatherette	/RL 99-	1	
(9)	996 612 007 00	extension cable	03-	1	M 666						
10	964 646 318 00	adapter plug	/LL	1	M 618		A18	black	99		
(10)	996 646 318 00	adapter plug	/RL	1	M 618		C18	graphite grey	99		
11	996 552 094 02	bracket leatherette	/LL 98	1			S18	savanna	99		
	A18	black					G18	metropole blue	99		
	C18	graphite grey					B18	space grey	99		
	S18	savanna					A12	black	00-		
	G18	metropole blue					C52	graphite grey	00-		
	B18	space grey					S32	savanna	00-		
(11)	996 552 093 02	bracket leatherette	/RL 98	1			G12	metropole blue	00-		
	A18	black					B52	space grey	00-		
	C18	graphite grey				11	996 552 094 01	bracket leather	/LL 98	1	
	S18	savanna					A11	black			
	G18	metropole blue					C51	graphite grey			
	B18	space grey					S31	savanna			
11	996 552 094 04	bracket leatherette	/LL 99-	1			J31	nephrite green			
	A18	black	99				M31	boxster red			
	C18	graphite grey	99				G11	metropole blue			
	S18	savanna	99				B51	space grey			

Model	Year	MG	SG	Illustration	Restrictions	Update	13:27	23.08.2006	PORSCHE	PET	PORSCHE
996	05	9	11	911-10		203					

Pos	Part Number	Name	Remarks	Qty	Model	Pos	Part Number	Name	Remarks	Qty	Model
(11)	996 552 093 01	bracket leather	/RL 98	1			T12	brown/natural	00-		
	A11	black					P12	cinnamon brown	01-		
	C51	graphite grey				12	996 552 298 00	attachment	/LL	1	
	S31	savanna					01C	satin black			
	J31	nephrite green				(12)	996 552 297 00	attachment	/RL	1	
	M31	boxster red					01C	satin black			
	G11	metropole blue				12	996 552 979 00	attachment leather	/LL	1	XEA
	B51	space grey					A11	black			
11	996 552 094 03	bracket leather	/LL 99-	1			C51	graphite grey			
	A11	black					S31	savanna			
	C51	graphite grey					G11	metropole blue			
	S31	savanna					J31	nephrite green			
	J31	nephrite green					M31	boxster red			
	M31	boxster red					P12	cinnamon brown			
	G11	metropole blue					D12	dark grey/natural			
	B51	space grey					T12	brown/natural			
	D12	dark grey/natural	00-			(12)	996 552 979 01	attachment leather	/RL	1	XEA
	T12	brown/natural	00-				A11	black			
	P12	cinnamon brown	01-				C51	graphite grey			
(11)	996 552 093 03	bracket leather	/RL 99-	1			S31	savanna			
	A11	black					G11	metropole blue			
	C51	graphite grey					J31	nephrite green			
	S31	savanna					M31	boxster red			
	J31	nephrite green					P12	cinnamon brown			
	M31	boxster red					D12	dark grey/natural			
	G11	metropole blue					T12	brown/natural			
	B51	space grey				13	996 552 624 01	adapter see tpi GR.9 , NR.17 , JAN/99	98	1	
	D12	dark grey/natural	00-								

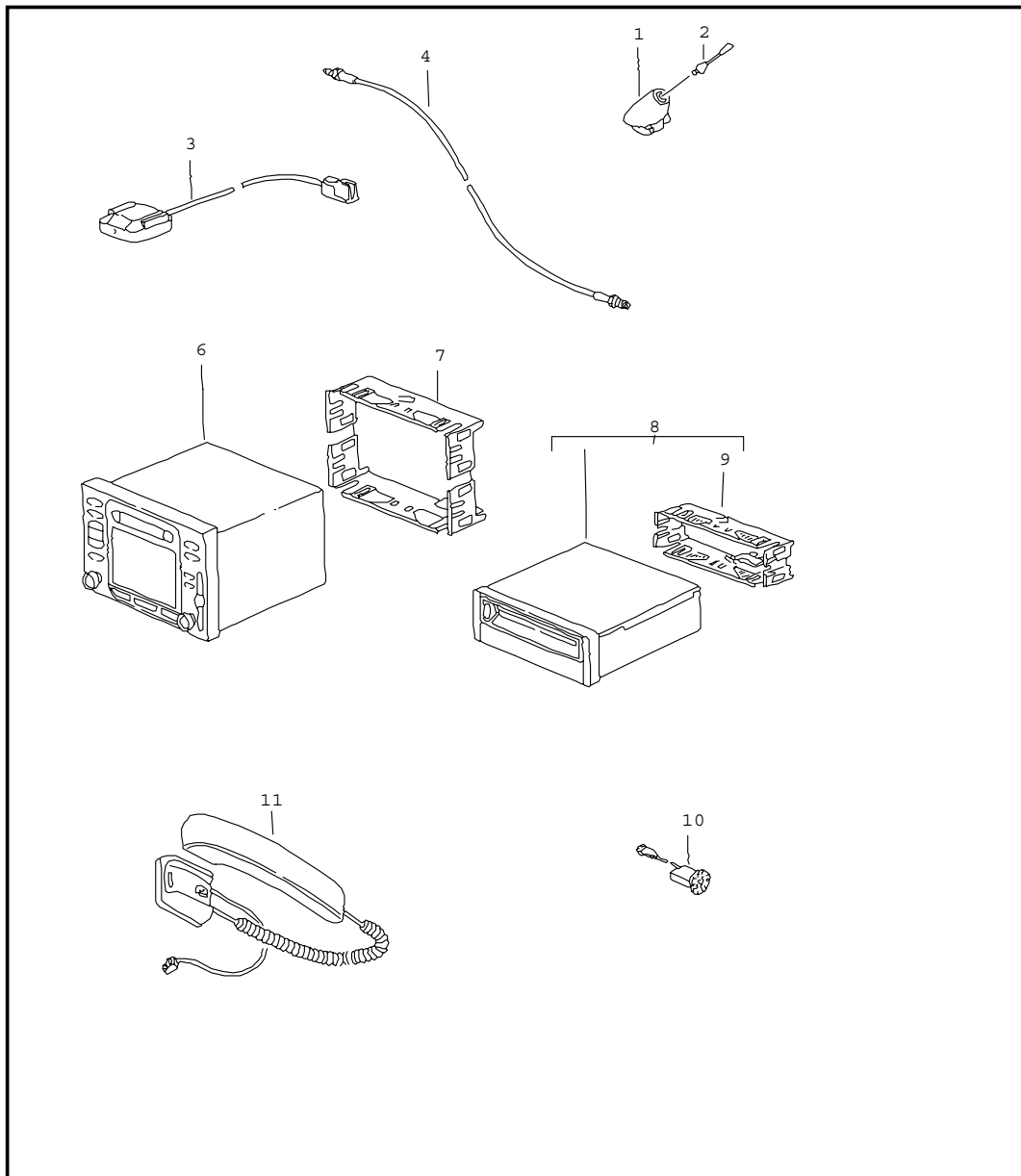
Model	Year	MG	SG	Illustration	Restrictions	Update	13:27	23.08.2006	PORSCHE	PET	PORSCHE
996	05	9	11	911-10		203					

Pos	Part Number	Name	Remarks	Qty	Model	Pos	Part Number	Name	Remarks	Qty	Model
(13)	996 552 624 02	adapter	99-	1			G13	metropole blue			
-	996 552 581 00	filler piece bracket telephone	/RL 99-	1			B13	space grey			
	01C	satin black					J33	nephrite green			
-	996 552 582 00	filler piece bracket telephone	/LL 99-	1			M33	boxster red			
	01C	satin black					P13	cinnamon brown	01		
14	999 919 121 09	oval-head screw 5,0 X 16		6		(19)	996 646 308 01	microphone	/RL -01	1	
15	999 507 476 01	clamp 8,0 X 10,2		3			D05	granite grey			
16	996 552 824 00	cap		1			A03	black			
	01C	satin black					C53	graphite grey			
16	996 552 978 00	cap leather		1	XEA		S33	savanna			
	A11	black					G13	metropole blue			
	C51	graphite grey					B13	space grey			
	S31	savanna					J33	nephrite green			
	G11	metropole blue					M33	boxster red			
	J31	nephrite green					P13	cinnamon brown	01		
	M31	boxster red				(19)	996 646 307 02	microphone	/LL 02	1	
	P12	cinnamon brown					A03	black			
	D12	dark grey/natural					C53	graphite grey			
	T12	brown/natural					S33	savanna			
17	996 646 125 01	frame		1			G13	metropole blue			
18	996 646 126 00	cover		1		(19)	996 646 308 02	microphone	/RL 02	1	
19	996 646 307 01	microphone	/LL -01	1			J33	nephrite green			
	D05	granite grey					M33	boxster red			
	A03	black					P13	cinnamon brown			
	C53	graphite grey									
	S33	savanna									

Model	Year	MG	SG	Illustration	Restrictions	Update						
996	05	9	11	911-10		203	13:27	23.08.2006	PORSCHE	PET	PORSCHE	

Pos	Part Number	Name	Remarks	Qty	Model	Pos	Part Number	Name	Remarks	Qty	Model
	M33	boxster red									
	P13	cinnamon brown									
20	996 646 235 01	support		1	M 618						
(20)	996 646 233 00	support	99-	1	M 339/M 614						
-	999 084 629 09	hexagon nut VM 6	99-	4	M 339/M 614						
21	999 073 060 02	tapping screw 4,8 X 13		4	M 618						
-	996 521 663 01	stop seat rail inner		1	M 437/M 438						
-	996 521 665 00	stop seat rail inner		1	M 369/M 370 M 375/M 376 M 540						
		- - - E N D - - -									

Model	Year	MG	SG	Illustration	Restrictions	Update	13:28	23.08.2006	PORSCHE	PET	PORSCHE
996	05	9	11	911-15		203					



Pos	Part Number	Name	Remarks	Qty	Model
		navigation system receiver	-02		M 662
		see technical information GR.0 , NR. 4/97	-02		M 663
		electronic mail GR.9 , NR. 2A/97			
		see technical information GR.9 , NR.3/02			
1	996 647 103 00	antenna base use also:	-00	1	COUPE
-	996 647 106 00	cap for antenna base see technical information GR.9 , NR. 2/00	-00	1	
-	996 647 201 00	reinforcement for antenna base see technical information GR.9 , NR. 10/99	-00	1	COUPE
2	996 647 104 00	antenna rod	-00	1	
		antenna telephone see group 9 /11/10	01-		
3	996 642 206 00	antenna - GPS -		1	
4	996 612 083 00	extension cable telephone	-00	1	
4	996 612 038 00	extension cable telephone	01-	1	
(4)	996 612 970 01	extension cable - GPS -		1	
(6) >	996 642 904 04	control part	-01	1	
		EFR gloss black electronic mail GR.9 , 4A/00			
-	996 642 953 00	rotary knob	/L -01	1	
-	996 642 954 00	rotary knob	/R -01	1	
(6) >	996 642 944 00	control part	02	1	

Model	Year	MG	SG	Illustration	Restrictions	Update	13:28	23.08.2006	PORSCHE	PET	PORSCHE
996	05	9	11	911-15		203					

Pos	Part Number	Name	Remarks	Qty	Model	Pos	Part Number	Name	Remarks	Qty	Model
	EWD	black mat				-	996 642 132 07	cd-rom replacement see catalogue tequipment		1	M 124
-	996 642 955 00	rotary knob	/L 02	1							
-	996 642 956 00	rotary knob	/R 02	1							
7	996 642 103 01	retaining frame		1		-	996 642 133 07	cd-rom		1	M 061
(8) >	996 642 122 01	computer		1		-	996 642 134 07	cd-rom		1	M 111/M 277
	EFR	gloss black F >>991S6 03524 F >>991S6 42489				-	996 642 135 07	cd-rom		1	M 063/M 064/ M 225
		cd-rom for computer 996.642.122.00.EFR 996.642.122.01.EFR				-	996 642 136 07	cd-rom		1	M 119
-	996 642 131 06	cd-rom		1	M 499	10	996 646 307 01	microphone	/LL -01	1	
-	996 642 132 06	cd-rom		1	M 124		D05	granite grey			
-	996 642 133 06	cd-rom		1	M 061		A03	black			
-	996 642 134 06	cd-rom		1	M 111/M 277		C53	graphite grey			
-	996 642 135 06	cd-rom		1	M 063/M 064/ M 225		S33	savanna			
-	996 642 136 06	cd-rom		1	M 119		G13	metropole blue			
-	996 642 137 06	cd-rom		1	M 062		B13	space grey			
-	996 642 138 06	cd-rom		1	M 034		J33	nephrite green			
(8) >	996 642 122 03	computer	-01	1			M33	boxster red			
	EFR	gloss black F 991S6 03525>> F 991S6 42490>>				(10)	996 646 308 01	microphone	/RL -01	1	
(8) >	996 642 122 12	computer	02	1			D05	granite grey	01		
	EWD	black mat					A03	black			
		cd-rom for computer 996.642.122.03.EFR 996.642.122.12.EWD					C53	graphite grey			
-	996 642 131 07	cd-rom		1	M 499		S33	savanna			
							G13	metropole blue			
							B13	space grey			
							J33	nephrite green			
							M33	boxster red			



Model	Year	MG	SG	Illustration	Restrictions	Update	13:28	23.08.2006	PORSCHE	PET	PORSCHE
996	05	9	11	911-15		203					

Pos	Part Number	Name	Remarks	Qty	Model	Pos	Part Number	Name	Remarks	Qty	Model
		P13 cinnamon brown	01					bracket			
(10)	996 646 307 02	microphone	/LL 02	1				see group 9 /11/10			
		A03 black						stop			
		C53 graphite grey						seat rail			
		S33 savanna						see group 9 /11/10			
		G13 metropole blue						- - - E N D - - -			
		J33 nephrite green									
		M33 boxer red									
		P13 cinnamon brown									
(10)	996 646 308 02	microphone	/RL 02	1							
		A03 black									
		C53 graphite grey									
		S33 savanna									
		G13 metropole blue									
		J33 nephrite green									
		M33 boxer red									
		P13 cinnamon brown									
11	996 642 111 01	receiver		1	M 663						
11	996 642 980 00	receiver leather		1	XEA						
		A11 black									
		C51 graphite grey									
		S31 savanna									
		G11 metropole blue									
		J31 nephrite green									
		M31 boxer red									
		P12 cinnamon brown									
		D12 dark grey/natural									
		T12 brown/natural									

## MXI KAT21

KAT.	M-X-I -NR	BENENNUNG-Deutsch DESCRIPTION-English
21	M000	+-----+ ! M-Nummern-Übersicht ! +-----+  +-----+ ! Summary of optional extras "M"! +-----+
21	M004	GT3 RS (STRASSE)
21	M014	GT3 RS (STREET)
21	M024	Sportpaket 996 Sport package 996
21	M030	Griechenland-Ausführung Version for Greece
21	M032	Sportfahrwerk Sport-type running gear
21	M034	Langstreckenfahrwerk Touring suspension
21	M058	Italien - Ausführung Version for Italy
21	M061	Pralldämpfer vorn und hinten Impact absorbers front and rear
21	M062	Grossbritannien-Ausführung Version for Great Britain
21	M063	Schweden-Ausführung Version for Sweden
21	M064	Luxemburg-Ausführung Version Luxemburg
21	M065	Niederlande-Ausführung Version for Netherlands
21	M066	Dänemark-Ausführung Version for Denmark
21	M067	Norwegen-Ausführung Version for Norway
21	M068	Finnland-Ausführung Version for Finland
21	M069	Thailand-Ausführung Version for Thailand
21	M071	Sonstige-Länderausführung Other country version
21	M072	EU-Länderausführung EU country version
21	M073	Mexico-Ausführung Version for Mexico
21	M094	Russland-Ausführung Version for Russia
21	M095	Sondermodell Millennium Special model millennium
21	M111	Sondermodell 40 Jahre 911 Special model '40 years 911'
21	M113	Österreich-Ausführung Version for Austria
21	M114	Kanada - Ausführung Version for Canada
21	M119	Taiwan - Ausführung Version for Taiwan
21	M124	Spanien - Ausführung Version for Spain
21	M126	Frankreich - Ausführung Version for France
21	M127	Beschreibung französisch Control and indications in french lettering
21	M127	Beschreibung schwedisch Control and indications in schwedisch

MXI KAT21

21	M130	Beschreibung englisch Control and indications in english lettering
21	M139	Sitzheizung, linker Sitz Seat heating system, left seat
21	M150	Betrieb mit verbleitem Kraftstoff Operates with leaded gas
21	M193	Japan-Ausführung Version for Japan
21	M197	Stärkere Batterie Stronger battery
21	M215	Saudi-Arabien - Ausführung Version for Saudi Arabia
21	M219	Ausgleichsgetriebe Differential
21	M220	Sperrdifferential 40 % Locking differential 40 %
21	M222	Antriebschlupfregelung (ASR) Traction control system
21	M224	Automatisches Bremsdifferential Automatic limited slip differential
21	M225	Belgien-Ausführung Version for Belgium
21	M249	Tiptronic-Getriebe Tiptronic transmission
21	M265	Automatisch abblendbarer Innenspiegel mit Regensensor Automatic anti-dazzle interior mirror with rain sensor
21	M266	Automatisch abblendbarer Aussenspiegel Automatic anti-dazzle exterior mirror
21	M270	Aussenspiegel für Fahrerseite -plan-, elektrisch verstell- und beheizbar Outside mirror -plan- driver's side, electrically adjustable and heatable
21	M271	Aussenspiegel für Fahreseite -asphaerisch-, elektrisch verstell- und beheizbar Outside mirror -aspherical- driver's side, electrically adjustable and heatable
21	M273	Aussenspiegel, elektrisch verstell- und beheizbar Outside mirror, electrically adjustable and heatable
21	M274	Make-up Spiegel beleuchtet Make-up mirror illuminated
21	M277	Schweiz-Ausführung Version for Switzerland
21	M288	Scheinwerfer-Reinigungsanlage Headlamp washer
21	M320	Radio "Porsche CR-11", RDWW Radio "Porsche CR-11", RDW
21	M321	Radio "Porsche CR 22", RDW Radio "Porsche CR 22", RDW
21	M322	Radio "Porsche CR 220", USA Radio "Porsche CR 220", USA
21	M325	Südafrika/Neuseeland-Ausführung Version for South Africa/New Zealand
21	M326	Radio "Porsche CR-21", RDW Radio "Porsche CR-21", RDW
21	M327	Radio "Porsche CR 2200", Japan Radio "Porsche CR 2200", Japan
21	M329	Radio "Porsche CR-210", USA Radio "Porsche CR-210", USA
21	M330	Radio "Porsche CR-31", RDW Radio "Porsche CR-31", RDW
21	M335	3-Punkt-Automatik-Gurte, hinten Automatical safety belt, 3-point, rear
21	M338	Heck-Antrieb Rear-wheel drive
21	M339	Allrad-Antrieb 4-wheel drive
21	M340	Sitzheizung, rechter Sitz Seat heating system, right seat

MXI KAT21

21	M342	Sitzheizung, links u. rechts Seat heating system, left/right seat
21	M369	Basissitz links Series seat, left
21	M370	Basissitz rechts Series seat, right
21	M375	Sportsitz, Lehnenschale, links Sportseat, backrest shell, left
21	M376	Sportsitz, Lehnenschale, rechts Sportseat, backrest shell, right
21	M392	Carrera Rad 17" 17" Carrera wheel
21	M396	Gussrad, 17" (AL) Cast wheel, 17 inches
21	M399	Carrera-4-Rad 17" 17" Carrera-4-wheel
21	M408	Techno-Rad 18" 18" techno wheel
21	M411	Carrera-Rad 18" 18" Carrera-wheel
21	M413	Turbo-Look-Rad 18" 18" turbo-look-wheel
21	M414	Turbo-Look-Rad 18" hochglanzoptik 18" turbo-look-wheel high gloss finish
21	M417	Carrera-Rad 18", poliert 18" Carrera-wheel, polished
21	M421	Kassettenablage vorn Front cassette compartment
21	M422	Kassettenablage hinten Rear cassette compartment
21	M424	CD-Ablage CD compartment
21	M425	Heckscheibenwischer Rear window wiper
21	M432	Lenkrad mit Tiptronic-Bedienung Steering wheel with tiptronic control
21	M436	3-Speichen-Airbaglenkrad 3-spoke airbag steering wheel
21	M437	Komfortsitz links, elektrisch verstellbar Comfort seat left, electrically adjustable
21	M438	Komfortsitz rechts, elektrisch verstellbar Comfort seat right, electrically adjustable
21	M439	Elektrische Verdeckbetätigung Electrical roof catch
21	M440	Manuelle Antenne, 4 Lautsprecher --> MJ 2002 MJ 2003 --> Antennen-Diversität Manual antenna, 4 loudspeakers --> mj 2002 mj 2003 --> antenna diversity
21	M441	Radiovorbereitung Prepared for radio
21	M446	Radzierdeckel konkav mit farbigem Wappen Concave hub cap with coloured escutcheon
21	M450	Keramik-Bremse (PCCB) Ceramic brake (PCCB)
21	M454	Automatische Geschwindigkeitsregulierung Automatic speed control
21	M465	Nebelschlussleuchte links Rear fog lamp, left
21	M466	Nebelschlussleuchte rechts Rear fog lamp, right
21	M476	Porsche Stability Management (PSM) Porsche stability management (PSM)
21	M479	Australien - Ausführung Version for Australia
21	M480	6-Gang Schaltgetriebe 6-speed manual transmission
21	M484	USA - Ausführung Version for USA

MXI KAT21

21	M488	Beschreibung Deutsch Inscriptions in German language
21	M490	Mj 01 Klangpaket Mj 02 Klangpaket Harmann analog Mj 01 sound system Mj 02 sound system Harmann analog
21	M492	Scheinwerfer fuer Linksverkehr For left-hand traffic
21	M498	Entfall der Modellbezeichnung am Heck Without vehicle-type-lettering on rear end
21	M499	Ausführung für die Bundesrepublik Deutschland Version for Germany
21	M509	Feuerlöscher Fire extinguisher
21	M513	Lordosenstütze rechter Sitz Back-support (lordose) right seat
21	M532	Entfall Fernbedienung Alarmanlage Deleted remote control anti-theft device
21	M533	Entfall Funkbetätigung Verdeck Radio convertible-top operation omitted
21	M534	Diebstahlsicherungsanlage Theft security system
21	M535	Diebstahlsicherung 315 MHz Anti-theft lock 315 mhz
21	M536	Alarmsirene und Neigungsgeber Alarm siren and tilt sensor
21	M537	Sitzpositions-Steuerung für Komfortsitz, links Seating position control for confort seat, left
21	M538	Sitzpositions-Steuerung für Komfortsitz, rechts Seating position control for confort seat, right
21	M539	Mechanische Sitzhöhenverstellung links Mechanical seat-height adjustment left
21	M540	Mechanische Sitzhöhenverstellung rechts Mechanical seat-height adjustment right
21	M549	Dachtransportsystem Roof rack system
21	M550	Hardtop
21	M551	Windstop Wind deflector
21	M553	USA-Canada-Ausführung Version for USA, Canada
21	M562	Airbag Fahrer- und Beifahrerseite Airbagdriver's side and front passenger's side
21	M563	Seitenairbag Side airbag
21	M566	Nebelscheinwerfer weiss Fog-headlamps, white
21	M567	Frontscheibe im oberen Bereich stark eingefärbt Windshield tinted, upper part darker coloured
21	M571	Aktivkohlefilter Activated charcoal filter
21	M573	Klima-Anlage Air conditioner
21	M574	Ohne Klima-Anlage Without air conditioner
21	M580	Nichtraucherpaket Non-smoker's package
21	M581	Mittelkonsole vorn Center console front
21	M586	Lordosenstütze linker Sitz Back-support (lordose) left seat
21	M590	Motorische Deckelverriegelung Power lid locking
21	M601	Litronische-Scheinwerfer Headlamp litronic
21	M602	Hochgesetzte Bremsleuchte Araised stop lamp

MXI KAT21

21	M605	Leuchtweitenregulierung Headlight vertical aim control
21	M606	Tagfahrlicht Daytime running lamp
21	M614	Telefonvorbereitung Motorola 2200 Preparation of telephone installation motorola 2200
21	M618	Telefonvorbereitung Preparation of telephone installation
21	M620	E-Gas E-accelerator
21	M635	Einparkhilfe Parking assistant
21	M650	Elektrisches Schiebedach Electrical sliding roof
21	M651	Elektrischer Fensterheber Electric window opener
21	M657	Servolenkung Power assisted steering
21	M659	Bordcomputer Computer
21	M660	OBD 2 OBD 2
21	M661	Verschärftes Abgaskonzept Stricter emission-control concept
21	M662	Info- / Navigationssystem Info/navigation system
21	M663	Passivhörer Hands-free receiver
21	M664	ORVR ORVR
21	M665	PCM2 Grundmodul inklusive Radio PCM2 Basic module including radio
21	M666	PCM2 Telefon (GSM) PCM2 telephone (GSM)
21	M668	PCM2 Telefonbedienhörer PCM2 telephone handset
21	M670	PCM2 Navigation PCM2 navigation
21	M680	Mj 01 digitales Soundpaket Mj 02 Soundpaket Bose analog Mj 01 digital sound package Mj 02 sound system Bose analog
21	M685	Geteilte Rücksitzanlage Rear seats, divided
21	M686	Radio "Porsche CDR-21", RDW Radio "Porsche CDR-21", RDW
21	M688	Radio "Porsche CDR-210", USA Radio "Porsche CDR-210", USA
21	M689	CD-Wechsler Vorbereitung Preparation of cd-changer
21	M692	CD-Wechsler "Porsche" CD-changer "Porsche"
21	M695	CD-Radio "Porsche CDR 22", RDW CD-Radio "Porsche CDR 22", RDW
21	M696	CD-Radio "Porsche CDR 220", USA CD-Radio "Porsche CDR 220", USA
21	M698	CD-Radio "Porsche CDR 32", RDW CD-Radio "Porsche CDR 32", RDW
21	M699	MD-Radio "Porsche MDR32", RDW MD-Radio "Porsche MDR32", RDW
21	M936	Sitzbezüge hinten, Leder Seat covers rear, leather
21	M937	Sitzbezüge hinten, Kunstleder Seat covers rear, leatherette
21	M939	Sitzbezüge hinten, Raffleder Seat covers rear, draped leather
21	M946	Sitzbezüge vorne, Leder/Leder/Kunstleder Seat covers front, leather/leather/leatherette

MXI KAT21

21	M981	Leder-Ausstattung ohne Sitzbezüge Leather equipment without seat covers
21	M982	Sitzbezüge vorne, Raffleder/Leder/Leder Seat covers front, draped leather/leather/leather
21	M983	Sitzbezüge vorne, Leder Seat covers front, leather
21	M990	Sitzbezüge vorne, Stoff/Stoff/Kunstleder Seat covers front, cloth/cloth/leatherette
21	M999	Innenraumüberwachung Sensor für Lederfarbe nach Wahl Passenger compartment monitoring sensor for leather colour of choice
21	IXAA	Aerokit Cup Aerokit cup
21	IXAB	Speedster-Heck, Wagenfarbe lackiert Spyder rear in body colour
21	IXAF	Aerokit Turbo Turbo aerokit
21	IXAG	Carrera - Heckspoiler Carrera - rear spoiler
21	IXCG	Sportsitzrückenlehne Alu-Optik Sports seat backrest in Aluminium-Look finish
21	IXCZ	Schalwegverkürzung Switch travel shortening
21	IXD9	Felgenstern in Wagenfarbe lackiert Wheel painted in body colour
21	IXE8	Schaltnopf Alu/Wurzelholz Dunkel/Leder Gear lever knob aluminium/dark burr maple/leather
21	IXE9	Handbremshebel Alu/Wurzelholz Dunkel/Leder Handbrake lever aluminium/dark burr maple/leather
21	IXJB	Mittelkonsole hinten arktissilber Rear section of centre console in arctic silver
21	IXJ4	Rosette für Zündschloss Lederbezogen Leather cover for ignition lock surround
21	IXKB	Luftseitentüse Wurzelholz/Ahorn hell Side air vent in light burr maple
21	IXKC	Luftseitentüse Wurzelholz/Ahorn dunkel Side air vent in dark burr maple
21	IXKD	Luftseitentüse carbon Side air vent in carbon
21	IXKE	Luftseitentüse arktissilber Side air vent in arctic silver
21	IXKG	Defrosterblende Wurzelholz/Ahorn hell, Leder "Windscr. defr. panel in light burr maple; leather"
21	IXKH	Defrosterblende Wurzelholz/Ahorn dunkel, Leder "Windscr. defr. panel in dark burr maple; leather"
21	IXKJ	Defrosterblende Carbon/Leder Defroster trim in carbon/leather
21	IXKX	Instr. Abd. Unterteil arktissilber Instrument surround in arctic silver
21	IXLA	Boxster-Endrohr Boxster tail pipe
21	IXLF	Sportabgasanlage Sports exhaust system
21	IXMA	Himmel mit Leder bezogen Rooflining in leather
21	IXME	Mittelkonsole hinten lackiert Rear section of centre console painted
21	IXMF	Mittelkonsole vorn inklusive 2 Ablagen, Leder Front center console incl. 2 storage bins, leather
21	IXMJ	Mittelkonsole hinten Carbon Rear section of centre console in carbon
21	IXMK	Überrollbügel in Exterieurfarbe Roll-over bar in exterior color
21	IXML	Mittelkonsole hinten Wurzelholz Ahorn hell Rear center console in light burr maple
21	IXMP	Sonnenblende Leder, 2 Make-up-Spiegel beleuchtet Leather sun visor, 2 lit make-up mirrors illuminated

MXI KAT21

21	I XMR	Sonnenblende Leder, 2 Make-Up-Spiegel beleuchtet Leder Sun visor in leather, 2 illuminated vanity mirrors,
21	I XMY	Überrollbügel arktissilber Roll-over bar in arctic silver
21	I XMZ	Mittelkonsole hinten Leder Rear section of centre console in leather
21	I XNB	Mittelkonsole hinten Wurzelholz Ahorn dunkel Rear center console in dark burr maple
21	I XNG	Instrumentenabdeckung Unterteil Leder Instrument surround in leather
21	I XNH	Seitendüse li./re. Leder Defrosterblende Side vent. left/right defroster trim in leather
21	I XNN	Mitteldüsenträger in Leder Center air vent bracket in leather
21	I XNR	Mitteldüsenträger Carbon Carbon center air vent bracket
21	I XNS	Lenkstock-Verkleidung 4-teilig Leder Leather steering column trim, 4-part
21	I XNU	Zierleiste (Nut) in Leder Leather trim strip (dashboard)
21	I XNV	Zierleiste (Nut) Wurzelholz/Ahorn hell Trim strip (dashboard) in light burr maple
21	I XNW	Zierleiste (Nut) Wurzelholz/Ahorn dunkel Trim strip (dashboard) in dark burr maple
21	I XNX	Zierleiste (Nut) in Carbon Carbon trim strip (dashboard)
21	I XNY	Zierleiste (Nut) arktissilber Trim strip in arctic silver
21	I XN3	Luftseitendüse Armaturenbrett Leder Dashboard side air vent in leather
21	I XPA	3-Speichen Sportlenkrad, Leder Interieurfarbe 3-spoke sports steering wheel in leather interior color
21	I XPB	3-Speichen Sportlenkrad, Wurzelholz/Ahorn hell, Leder 3-spoke sports steering wheel, light burr maple, leather
21	I XPC	3-Speichen Sportlenkrad, Wurzelholz/Ahorn dunkel, Leder 3-spoke sports steering wheel, dark burr maple, leather
21	I XPD	3-Speichen Sportlenkrad, Carbon/Leder 3-spoke sports steering wheel, carbon/leather
21	I XPG	3-Speichen Sportlenkrad, Sportsilber 3-spoke sports steering wheel, sports seats
21	I XPP	LAUTSPRECHER-ABDECKUNG SCHALTAFEL INTERIEURFARBE LOUDSPEAKER FINISHER ON SWITCH PANEL IN INTERIOR COLOUR
21	I XPW	Instrumentenabdeckung Unterteil Wurzelholz/Ahorn, Hell Instrument surround in light burr maple
21	I XPX	Instrumentenabdeckung Unterteil Wurzelholz/Ahorn, Dunkel Instrument surround in dark burr maple, dark
21	I XPY	Instrumentenabdeckung Unterteil Carbon Carbon instrument surround
21	I XRA	SPORT-CLASSIC-RAD 17" 17" SPORTCLASSIC WHEEL
21	I XRB	Sport-Classic-2 Rad 18" 18" Sport Classic II wheel
21	I XRC	Sport-Techno Rad 18" 18" SportTechno wheel
21	I XRL	Sport-Design-Rad 18" 18" SportDesign wheel
21	I XRN	Distanzscheiben 17 mm, hinten 17-mm spacers, rear
21	I XRP	Distanzscheiben 5 mm, vorn/hinten 5-mm spacers, front/rear
21	I XSA	Sportsitzrückenlehne lackiert Painted sports seat backrest
21	I XSB	Sportsitzrückenlehne in Leder Leather sports seat backrest
21	I XSC	Porsche Wappen geprägt in Kopfstütze Porsche crest embossed in headrest
21	I XSD	Sitzbedienelemente in Leder Front seat controls in leather



MXI KAT21

21	I XSE	Schalensitz links Bucket seat, left
21	I XSF	Schalensitz rechts Bucket seat, right
21	I XSG	Rennschalensitz links Racing bucket seat, left
21	I XSJ	6-Punkt-Gurte 6-point harness
21	I XSL	6-Punkt-Sicherheitsbügel 6-point safety catch
21	I XSM	Rennsport-Sicherheitskäfig Racing safety cage
21	I XSN	Entfall hintere Sitzanlage Omission of rear seats
21	I XSR	Schalensitz rechts, Rückseite Carbon Carbon back for bucket seat, right
21	I XSS	Schalensitz links, Rückseite Carbon Carbon back for bucket seat, left
21	I XSU	Abgepolsterter Sitz Upholstered seat
21	I XSW	Sicherheitsgurte in Maritimblau Maritime Blue safety belts
21	I XSX	Sicherheitsgurte in Indischrot Seat belts in guards red
21	I XSY	Sicherheitsgurte in Speedgelb Seat belts in speed yellow
21	I XTC	TUERTAFELTEILE IN LEDER DOOR FEATURES IN LEATHER
21	I XTE	TUERTAFELTEILE IN CARBON/LEDER DOOR FEATURES IN CARBON/LEATHER
21	I XTF	TUERTAFELTEILE ARKTISILBER/LEDER DOOR FEATURES IN ARCTIC SILVER/LEATHER
21	I XTG	Schwellerabdeckung innen Leder Inner door sills in leather
21	I XTJ	Türtafelteile Wurzelholz/Ahorn hell Door panel parts in light burr maple
21	I XTK	Türtafelteile Wurzelholz/Ahorn dunkel Door panel parts in dark burr maple
21	I XTL	Türtafelteile Carbon Door features in carbon
21	I XV1	Defrosterblende Lederbezogen Defroster trim in leather
21	I XX1	Fussmatten, Schriftzug, Leder eingefasst Floor mats, logo, leather border
21	I XX2	Fussraumbelichtung Illuminated footwell
21	I XY5	Kulisse Tiptronic-Wählhebel in Leder Tiptronic gear selector gate in leather
21	I XZD	Abdeckung Innenleuchte in Leder Interior light surround in leather
21	I X45	Instrumenten-Zifferblatt lackiert in Interieurfarbe Instrument dial in interior color
21	I X51	Leistungssteigerung 250 kW Powerkit 250 kw
21	I X65	Tiptronic-Wählhebel Wurzelholz Hell/Alu Tiptr. sel. lever in light burr maple/aluminum
21	I X66	Tiptronic-Wählhebel Wurzelholz Dunkel/Alu Tiptr. sel. lever in dark burr maple/aluminum
21	I X69	Einstiegsblenden Carbon, Schriftzug Door entry guards in carbon with logo
21	I X70	Einstiegsblenden Edelstahl, Schriftzug Door entry guards in stainless steel with logo
21	I X71	Instrumenten-Zifferblatt Lackiert/Alufarbe Instrument dial painted/aluminum-look finish
21	I X72	Schaltnopf Alu/Wurzelholz Hell/Leder Gear lever knob aluminum/light burr maple/leather
21	I X73	Sportfahrwerk Turbo Turbo sports suspension

MXI KAT21

21	IX74	Sportfahrwerk (exclusiv) Sports suspension (exclusive)
21	IX75	Sperrdifferential (exclusiv) Differential lock (exclusive)
21	IX76	Schwellerverkleidungen links/rechts Inner door sill guard left/right
21	IX91	Handbremshebel Alu/Wurzelholz Hell/Leder Handbrake lever aluminium/light burr maple/leather
21	IX98	Handbremshebel Alu/Leder Handbrake lever in aluminium/leather
21	IX99	Naturlleder Natural leather

Model	Year	MG	SG	Illustration	VIN No.	Update		
996	05	9	11	911-15		203	13:29	23.08.2006

TR203

THIS PARTS CATALOGUE CONTAINS ALL ORDER INFORMATION OF  
TYPE 996 FROM MODEL YEAR 1998

IT IS AVAILABLE IN TWO EDITIONS IN THE FOLLOWING LANGUAGES:

EDITION

USA, CANADA - \*

EDITION

ALL OTHER COUNTRIES - GERMAN

\* - ENGLISH

- FRENCH

- ITALIAN

- SPANISH

UPDATING IS BEING PERFORMED BY CHANGING OF UPDATE.

THE EDITION CAN BE RECOGNIZED BY THE CURRENT NO.  
IN THE BOTTOM LINE OF SUBJECT UPDATE.

THE PREVIOUS UPDATE SHOULD NO LONGER BE USED.

ALL ILLUSTRATIONS ARE SUBJECT TO CHANGE WITHOUT OBLIGATION.

THE SEATS FOR EACH MODEL ARE AVAILABLE IN THE PARTS CATALOGUE  
"SEATS (STZ 19)".



Model	Year	MG	SG	Illustration	VIN No.	Update	13:29	23.08.2006
996	05	9	11	911-15		203		

FR203

VEHICLE TYPE	MY	VIN	ENGINE	TYPE
996 COUPE	98 W	99WS6 00061>10000	M96.01	220 KW
996 COUPE (MEX)	98 W	99WS6 20061>30000	M96.01	220 KW
996 COUPE (USA) (CDN)	98 W	99XS6 20061>30000	M96.01	220 KW
996 COUPE (BR)	98 W	99VS6 29801>30000	M96.01	220 KW
996 COUPE (BR)	98 W	99WS6 29801>30000	M96.01	220 KW
996 CABRIO	98 W	99WS6 40061>49999	M96.01	220 KW
996 CABRIO (USA) (CDN) (MEX)	98 W	99WS6 50061>59999	M96.01	220 KW
996 COUPE 2	99 X	99XS6 00061>09999	M96.01	220 KW
996 COUPE 2 (USA) (CDN) (MEX)	99 X	99XS6 20061>29999	M96.01	220 KW
996 COUPE 2 (BR)	99 X	99WS6 29801>29999	M96.01	220 KW
996 COUPE 2 (BR)	99 X	99XS6 29801>29999	M96.01	220 KW
996 COUPE 4	99 X	99XS6 00061>09999	M96.02	220 KW
996 COUPE 4 (USA) (CDN) (MEX)	99 X	99XS6 20061>29999	M96.02	220 KW
996 COUPE 4 (BR)	99 X	99WS6 29401>29500	M96.02	220 KW
996 COUPE 4 (BR)	99 X	99XS6 29401>29500	M96.02	220 KW
996 CABRIO 2	99 X	99XS6 40061>49999	M96.01	220 KW
996 CABRIO 2 (USA) (CDN) (MEX)	99 X	99XS6 50061>59999	M96.01	220 KW
996 CABRIO 2 (BR)	99 X	99WS6 59601>59700	M96.01	220 KW
996 CABRIO 2 (BR)	99 X	99XS6 59601>59700	M96.01	220 KW
996 CABRIO 4	99 X	99XS6 40061>49999	M96.02	220 KW
996 CABRIO 4 (USA) (CDN) (MEX)	99 X	99XS6 50061>59999	M96.02	220 KW
996 CABRIO 4 (BR)	99 X	99WS6 59801>59999	M96.02	220 KW
996 CABRIO 4 (BR)	99 X	99XS6 59801>59999	M96.02	220 KW
996 COUPE 2/4	00 Y	99YS6 00061>10000	M96.04	220 KW
996 COUPE 2/4 (USA.CDN.MEX.BR)	00 Y	99YS6 20061>29000	M96.04	220 KW
996 COUPE 2/4 (BR)	00 Y	99XS6 50061>59000	M96.04	220 KW
996 CABRIO 2/4	00 Y	99YS6 40061>49000	M96.04	220 KW
996 CABRIO 2/4 (USA.CDN.MEX.BR)	00 Y	99YS6 50061>59000	M96.04	220 KW
996 CABRIO 2/4 (BR)	00 Y	99XS6 50061>59000	M96.04	220 KW
996 COUPE 2/4	01 1	991S6 00061>10000	M96.04	221 KW
996 COUPE 2/4 (USA.CDN.MEX.BR)	01 1	991S6 20061>29000	M96.04	221 KW
996 CABRIO 2/4	01 1	991S6 40061>49000	M96.04	221 KW
996 CABRIO 2/4 (USA.CDN.MEX.BR)	01 1	991S6 50061>59000	M96.04	221 KW
996 COUPE 2/4/4S	02 2	992S6 00061>10000	M96.03	232 KW
996 COUPE 2/4/4S (US.CN.MX.BR)	02 2	992S6 20061>29000	M96.03	232 KW
996 TARGA 2/4	02 2	992S6 30061>35000	M96.03	232 KW
996 TARGA 2/4 (USA.CDN.MEX.BR)	02 2	992S6 35061>40000	M96.03	232 KW
996 CABRIO 2/4	02 2	992S6 40061>49000	M96.03	232 KW
996 CABRIO 2/4 (USA.CDN.MEX.BR)	02 2	992S6 50061>59000	M96.03	232 KW
996 COUPE 2/4/4S	03 3	993S6 00061>10000	M96.03	235 KW
996 COUPE 2/4/4S (US.CN.MX.BR)	03 3	993S6 20061>29000	M96.03	235 KW
996 TARGA 2/4	03 3	993S6 30061>35000	M96.03	235 KW
996 TARGA 2/4 (USA.CDN.MEX.BR)	03 3	993S6 35061>40000	M96.03	235 KW
996 CABRIO 2/4	03 3	993S6 40061>49000	M96.03	235 KW
996 CABRIO 2/4 (USA.CDN.MEX.BR)	03 3	993S6 50061>59000	M96.03	235 KW

# PET V-Pages

Model	Year	MG	SG	Illustration	VIN No.	Update	13:29	23.08.2006
996	05	9	11	911-15		203		

FR203

VEHICLE TYPE	MY	VIN	ENGINE	TYPE
996 COUPE 2/4/4S	04 4	994S6 00061>10000	M96.03	235 KW
996 COUPE 2/4/4S (US.CN.MX.BR)	04 4	994S6 20061>29000	M96.03	235 KW
996 TARGA 2/4	04 4	994S6 30061>35000	M96.03	235 KW
996 TARGA 2/4 (USA.CDN.MEX.BR)	04 4	994S6 35061>40000	M96.03	235 KW
996 CABRIO 2/4	04 4	994S6 40061>49000	M96.03	235 KW
996 CABRIO 2/4/4S (US.CN.MX.BR)	04 4	994S6 50061>59000	M96.03	235 KW
996 COUPE 4S	05 5	995S6 00061>10000	M96.03	235 KW
996 COUPE 4S (USA.CDN.MEX.BR)	05 5	995S6 20061>29000	M96.03	235 KW
996 TARGA 2/4	05 5	995S6 30061>35000	M96.03	235 KW
996 TARGA 2/4 (USA.CDN.MEX.BR)	05 5	995S6 35061>40000	M96.03	235 KW
996 CABRIO 2/4	05 5	995S6 40061>49000	M96.03	235 KW
996 CABRIO 2/4/4S (US.CN.MX.BR)	05 5	995S6 50061>59000	M96.03	235 KW

# PET V-Pages

Model	Year	MG	SG	Illustration	VIN No.	Update		
996	05	9	11	911-15		203	13:29	23.08.2006

TR830

EXPLANATION OF THE MOTOR-NUMBERS USED IN THE CATALOGUE  
 =====

DIGIT:		1	2	3		4	5	6	7	8
EXAMPLE:		6	6	W		0	0	1	3	6
		=	=	=		=	=	=	=	=
		!	!	!		!				!
ENGINE TYPE (6 = 6-CYL.-ENGINE)	-----+	!	!	!		!				!
		!	!			!				!
ENGINE VERSION	-----+	!				!				!
		!				!				!
MODEL YEAR	-----+					!				!
						!				!
SERIAL NUMBER	-----+					!				!

Model	Year	MG	SG	Illustration	VIN No.	Update	13:29	23.08.2006
996	05	9	11	911-15		203		

MR203

VEHICLE TYPE	ENGINE TYPE	MY	ENGINE NO.	TECHNICAL DATA
911 CARRERA	M96.01	98 W	66W 00501>60000	6ZYL/3,4L /220 KW
911 CARRERA	M96.01	99 X	66X 00501>60000	6ZYL/3,4L /220 KW
911 CARRERA +M620 C4	M96.02	99 X	68X 00501>60000	6ZYL/3,4L /220 KW
911 CARRERA 2/4	M96.04	00 Y	66Y 00501>60000	6ZYL/3,4L /220 KW
911 CARRERA 2/4	M96.04	01 1	661 00501>60000	6ZYL/3,4L /220 KW
911 CARRERA 2/4/4S FL	M96.03	02 2	662 00501>60000	6ZYL/3,6L /232 KW
911 CARRERA 2/4/4S FL	M96.03	03 3	663 00501>60000	6ZYL/3,6L /235 KW
911 CARRERA 2/4/4S FL	M96.03	04 4	664 00501>60000	6ZYL/3,6L /235 KW
911 CARRERA 2/4/4S FL	M96.03	05 5	665 00501>60000	6ZYL/3,6L /235 KW



# PET V-Pages

Model	Year	MG	SG	Illustration	VIN No.	Update		
996	05	9	11	911-15		203	13:30	23.08.2006

TR830

EXPLANATION OF THE TRANSMISSION-NUMBERS USED IN THE CATALOGUE

```

=====
DIGIT:                1  2  3  4  5      6  7  8  9 10 11
EXAMPLE:              G  9  6  0  0      1  0  0  5  4  3
                      =  =====      =  =====
                      !          !      !          !
                      !          !      !          !
TRANSMISSION TYPE-----+          !          !
                      !          !      !          !
TRANSMISSION VERSION-----+          !          !
                      !          !      !          !
INDEX OF VARIANTS-----+          !          !
                      !          !      !          !
SERIAL NUMBER-----+          !          !
    
```



Model	Year	MG	SG	Illustration	VIN No.	Update	13:30	23.08.2006
996	05	9	11	911-15		203		

TR830

LEGENDS AND NOTICES

=====

IN COLUMN -S- STATUS

-----

- N NEW ADDITION
- P PART ALREADY IN PROGRAMME, BUT NEW AT THIS APPLICATION
- W DELETED AT THIS APPLICATION, BUT CONTINUED TO BE CARRIED
- A STOCK TO BE USED UP
- U DELETED WITHOUT REPLACEMENT
- \* PART ALSO OR ONLY AVAILABLE IN REPAIR KIT
- > ALSO AVAILABLE IN EXCHANGE

IN COLUMN - ILL. -

-----

- 1 IDENTIFICATION NO. IN ILLUSTRATION
- (1) PART ONLY SIMILAR AS ILLUSTRATED
- PART IS NOT ILLUSTRATED

FIG.-NUMBERS FOR WHICH THERE IS SHOWN NO TEXT ARE NOT VALID FOR THIS EDITION OF CATALOGUE

IN COLUMN -PART NUMBER/CODE-

-----

000 000 000 00 PART NUMBER EQUALS ORDERING NO., IF A CODE IS SHOWN, IT WILL HAVE TO BE PART OF ORDERING NUMBER

01C COLOUR CODE

IN COLUMN -TEXT

-----

INSTALLATION WITH ENGINE OR CHASSIS NUMBER-RANGE

EXAMPLE:

M 66W 00389>> FROM ENGINE NO.  
F >>99WS6 00889 UP TO CHASSIS NO.

# PET V-Pages

Model	Year	MG	SG	Illustration	VIN No.	Update	13:30	23.08.2006
996	05	9	11	911-15		203		

TR830

IN COLUMN - A -  
-----

IDENTIFICATION LETTER FOR PERIOD OF INSTALLATION  
THAT IS REPEATED SEVERAL TIMES IN THE CATALOG GROUP.

EXPLANATION PLEASE FIND IN TEXT COLUMN OF THE CATALOG GROUP

IN COLUMN - QU - = NO. OF PIECES  
-----

- 1 NUMBER PER APPLICATION
- X NUMBER AS NEEDED
- \* AVAILABLE ONLY IN RUNNING LENGTHS 1 = 1 METRE

IN COLUMN - MODEL/SYMBOL -  
-----

- M650 OPTIONAL EQUIPMENT - SEE M-NO. LIST
- 98 LIMITATION OF MODEL YEAR FOR INSTANCE: VALID UP TO  
END OF MODEL YEAR 1997
- /LL LHD
- /RL RHD
- +
- /V FRONT I
- I
- /H REAR I
- I----> APPLIES TO
- /L LEFT I DIRECTION OF TRAVEL
- I
- /R RIGHT I
- +
- WW THE PART CAN BE USED INSTEAD OF THE  
PRECEDING ONE.

Model	Year	MG	SG	Illustration	VIN No.	Update	13:30	23.08.2006
996	05	9	11	911-15		203		

TR830

EQUIPMENT BY COUNTRY REGULATIONS  
=====

- (A) AUSTRIA
- (AG) ARABIAN GULF STATES
- (AUS) AUSTRALIA
- (B) BELGIUM
- (BR) BRAZIL
- (CDN) CANADA
- (CH) SWITZERLAND
- (D) FEDERAL REPUBLIC OF GERMANY
- (DK) DENMARK
- (E) SPAIN
- (F) FRANCE
- (GB) GREAT BRITAIN
- (GR) GREECE
- (HK) HONGKONG
- (I) ITALY
- (J) JAPAN
- (L) LUXEMBURG
- (N) NORWAY
- (NL) NETHERLANDS
- (NZ) NEW ZEALAND
- (P) PORTUGAL
- (RC) TAIWAN
- (S) SWEDEN
- (SA) SAUDI ARABIA
- (SF) FINLAND
- (USA) UNITED STATES OF AMERICA
- (ZA) SOUTH AFRICA