

Model	Year	MG	SG	Illustration	Restrictions	Update	16:21	25.10.2006
gt3-2	07	0	01	1-00		207		

Pos	Part Number	Name	Remarks	Qty	Model
		tool fire extinguisher			
1	997 721 115 00	tool kit with contents comprising:		1	
-	-	double-end spanner 10 X 13		1	
-	-	screw driver		1	
-	-	handle for screw driver		1	
-	999 571 077 02	socket wrench - 5 - for headlamp		1	
-	999 571 074 30	threaded bolt for assembly wheels		2	
4	997 721 551 00	towing lug		1	
5	000 722 722 05	warning triangle		1	
-	997 722 709 00	support warning triangle		2	
-	993 722 041 00	first-aid kit		1	
-	K 993 722 115 70	fire extinguisher		1	I003
-	K 996 722 211 90	spacer sleeve		2	I003
-	K 996 722 213 90	plug		2	I003
-	996 722 233 90	spacer		2	I003
		- - - E N D - - -			

PORSCHE

PET

PORSCHE

Model	Year	MG	SG	Illustration	Restrictions	Update	16:22	25.10.2006
gt3-2	07	0	01	1-05		207		

Pos	Part Number	Name	Remarks	Qty	Model
		stickers			
		stickers engine specifications			
2	997 006 108 00	sticker		1	I068
		stickers type of fuel			
5	996 006 117 00	sticker 98 ROZ		1	
5	996 006 117 02	sticker 96 ROZ		1	(AUS)
5	996 006 117 03	sticker 93 RON/MON/2		1	(J)
		stickers airbag			
6	3B0 010 219 B	sticker child car seat		1	
6	8D0 010 141 Q	sticker child car seat		1	(AUS)
6	997 701 430 00	sticker child car seat german		1	
6	997 701 430 01	sticker child car seat english		1	
6	997 701 430 02	sticker child car seat french		1	
6	997 701 430 03	sticker child car seat italian		1	
6	997 701 430 04	sticker child car seat swedish		1	
6	997 701 430 05	sticker child car seat spanish		1	
6	997 701 430 06	sticker child car seat arabic		1	
6	997 701 430 07	sticker child car seat chinese		1	

PORSCHE

PET

PORSCHE

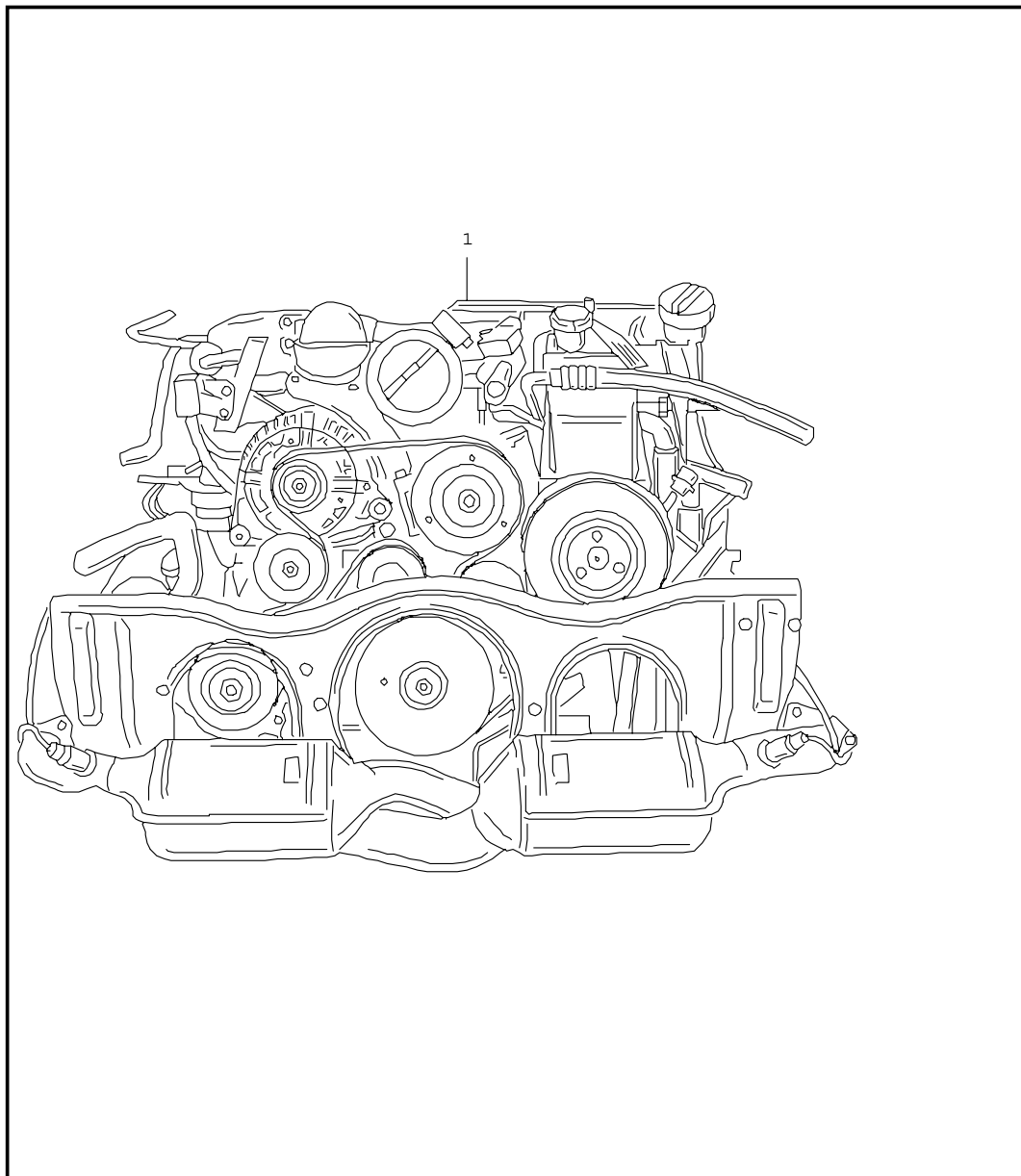
Model	Year	MG	SG	Illustration	Restrictions	Update		
gt3-2	07	0	01	1-05		207	16:22	25.10.2006

Pos	Part Number	Name	Remarks	Qty	Model
9	996 701 141 01	sticker air conditioner		1	
10	997 701 170 00	sticker first-aid kit		1	
		- - - E N D - - -			

Model	Year	MG	SG	Illustration	Restrictions	Update	16:22	25.10.2006
gt3-2	07	0	04	4-00		207		

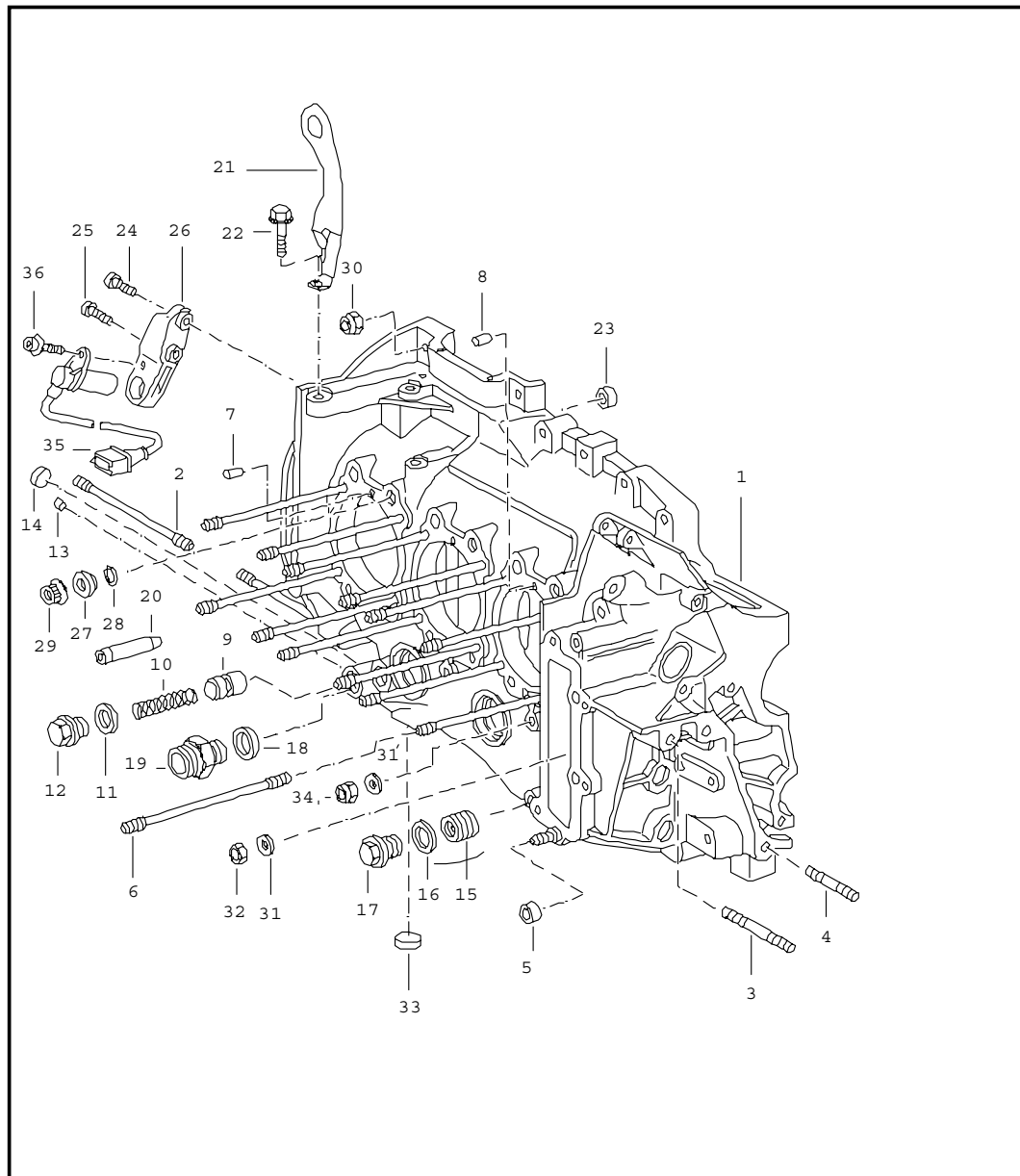
Pos	Part Number	Name	Remarks	Qty	Model
-	911 095 932 20	paint touch-up applicator lacquers		X	
	719	black			A 1
	80K	guards red			G 1
	B9A	carrara white			B 4
	12G	speed yellow			X 4
	8C6	orange			N 2
	2D8	green			J 5
-	911 095 933 20	paint touch-up applicator set comprising: paint touch-up applicator primer paint touch-up applicator clear lacquer		X	
	92T	arctic silver metallic			X 1
	M3W	carmon red metallic			E 4
	M5W	lapis blue metallic			J 2
	M6W	lagoon green metallic			G 4
	C9Z	basalt black metallic			Z 4
	M7X	atlas grey metallic			E 7
	37W	midnight blue metallic			E 9
	22E	forest green metallic			53
	37U	cobalt blue metallic			56
	22D	slate grey metallic			59
	M7Z	gt silver metallic			U 2
	M6X	dark olive-metallic			7 G
	M7W	meteor grey metallic			9 Q
		- - - E N D - - -			

Model	Year	MG	SG	Illustration	Restrictions	Update	16:22	25.10.2006	PORSCHE	PET	PORSCHE
gt3-2	07	1	01	101-00		207					



Pos	Part Number	Name	Remarks	Qty	Model
		replacement engine ready for installation			M97.76
1	997 100 976 00	replacement engine		1	
		- - - E N D - - -			

Model	Year	MG	SG	Illustration	Restrictions	Update	16:22	25.10.2006	PORSCHE	PET	PORSCHE
gt3-2	07	1	01	101-05		207					

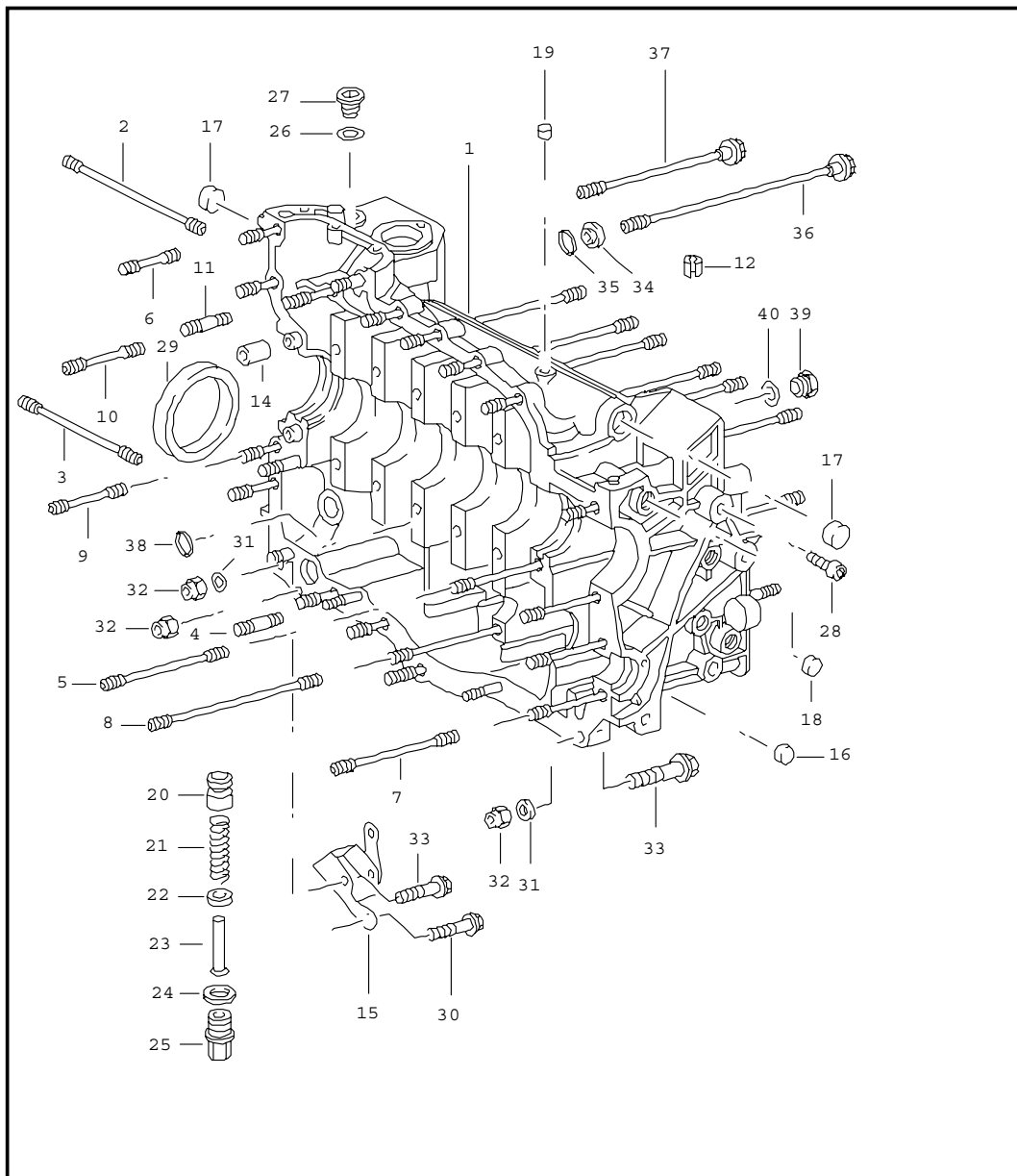


Pos	Part Number	Name	Remarks	Qty	Model
		crankcase left			M97.76
1	997 101 901 92	crankcase with studs		1	
2	999 062 099 02	stud BM 10 X 105		2	
3	999 062 170 02	stud BM 10 X 70		1	
4	999 062 056 02	stud BM 10 X 60		1	
5	901 101 145 00	dowel sleeve		4	
6	996 101 172 70	stud		24	
7	900 012 046 00	straight pin A 8,0 X 14		2	
8	900 012 057 00	straight pin A 6,0 X 14		2	
9	911 107 512 00	piston		1	
10	901 107 531 00	compression spring		1	
11	900 123 106 30	sealing ring A 18 X 24		1	
12	999 064 026 02	screw plug M 18 X 24		1	
13	911 101 186 00	plug 7,5 X 8,0		1	
13	911 101 186 01	plug oversize 8,5 X 8,0		1	
14	911 101 182 00	plug 13,00 X 8,5		1	
(14)	911 101 182 01	plug oversize 14,00 X 8,5		1	
15	999 504 127 00	threaded insert 20 X 1,5		1	
16	900 123 118 30	sealing ring A 22 X 27		1	
17	944 107 197 01	screw plug		1	

Model	Year	MG	SG	Illustration	Restrictions	Update	16:22	25.10.2006	PORSCHE	PET	PORSCHE
gt3-2	07	1	01	101-05		207					

Pos	Part Number	Name	Remarks	Qty	Model	Pos	Part Number	Name	Remarks	Qty	Model
18	900 123 011 30	sealing ring A 22 X 27		1		39	999 501 082 30	plug 10,2		1	
19	999 136 044 09	sealing ring 18		1				- - - E N D - - -			
20	K 997 101 018 90	splash valve M 20 X 1,5		6							
21	996 101 251 72	holder		1							
22	900 074 040 02	hexagon-head bolt M 8 X 50		1							
23	901 101 195 00	dowel sleeve		2							
24	900 075 341 02	screw M 6 X 25		1							
25	900 378 115 09	hexagon-head bolt M 6 X 35		1							
26	964 101 187 01	support		1							
27	964 101 313 02	washer		15							
28	999 701 006 40	o-ring 8 X 2		15							
29	959 101 172 00	nut		11							
30	999 084 095 02	lock nut M 8		23							
31	900 025 008 09	washer A 10,5		2							
32	900 076 078 01	hexagon nut M 10 X 1,25		1							
33	911 101 184 00	plug 19,00 X 13		1							
(33)	911 101 184 01	plug oversize 20,00 X 13		1							
34	999 084 096 02	lock nut M 10		1							
35	996 606 105 01	pulse sender		1							
36	999 218 005 02	pan-head screw M 6 X 16		1							
38	999 501 065 30	plug 9,2		1							

Model	Year	MG	SG	Illustration	Restrictions	Update	16:22	25.10.2006	PORSCHE	PET	PORSCHE
gt3-2	07	1	01	101-10		207					

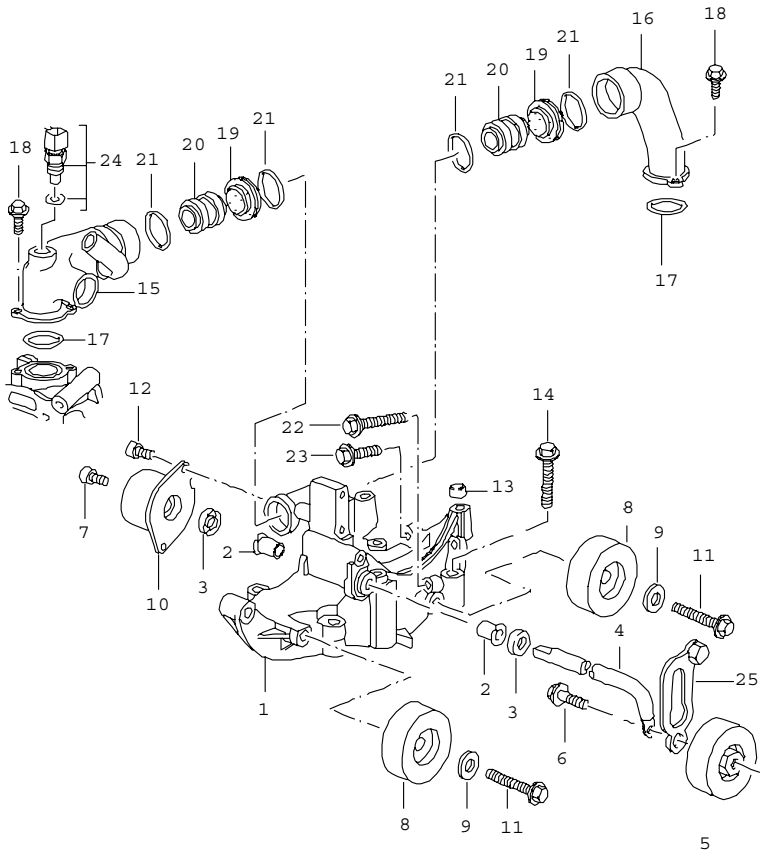


Pos	Part Number	Name	Remarks	Qty	Model
1	997 101 901 92	crankcase right		1	M97.76
2	999 062 225 02	stud BM 10 X 140		1	
3	999 062 099 02	stud BM 10 X 105		1	
4	999 062 007 02	stud BM 8 X 22		3	
5	996 101 175 70	stud		1	
6	999 062 115 02	stud BM 8 X 32		13	
7	999 062 156 02	stud BM 8 X 78		3	
8	999 062 276 02	stud BM 10 X 110		1	
9	999 062 075 02	stud BM 8 X 48		2	
10	999 062 138 02	stud BM 8 X 52		1	
11	999 062 009 02	stud BM 8 X 28		1	
12	999 062 170 02	stud BM 10 X 70		1	
13	999 062 056 02	stud BM 10 X 60		1	
14	901 101 195 00	dowel sleeve		2	
15	996 101 206 70	hook		1	
16	911 101 184 00	plug 19,00 X 13		1	
(16)	911 101 184 01	plug oversize 20,00 X 13		1	
17	911 101 185 00	plug 22,00 X 9		2	
(17)	911 101 185 01	plug oversize 23,00 X 9		2	

Model	Year	MG	SG	Illustration	Restrictions	Update	16:22	25.10.2006	PORSCHE	PET	PORSCHE
gt3-2	07	1	01	101-10		207					

Pos	Part Number	Name	Remarks	Qty	Model	Pos	Part Number	Name	Remarks	Qty	Model
18	911 101 182 00	plug 13,00 X 8,5		1		35	999 701 006 40	o-ring 8 X 2		13	
(18)	911 101 182 01	plug oversize 14,00 X 8,5		1		36	959 101 173 01	screw		11	
19	911 101 186 00	plug 7,50 X 8		1		37	964 101 174 00	screw		2	
19	911 101 186 01	plug oversize 8,50 X 8		1		38	999 701 596 40	o-ring 8,3 X 2,4		4	
20	911 107 512 00	piston		1		39	930 105 165 00	cover		1	
21	996 107 127 80	compression spring		1		40	999 707 315 40	o-ring 33,3 X 2,4		1	
22	996 107 532 81	spacer ring		1		41	900 075 010 09	hexagon-head bolt M 6 X 12		2	
23	996 107 533 91	guide sleeve		1		42	900 219 004 30	screw plug M 16 X 1,5		1	
24	900 123 106 30	sealing ring A 18 X 24		1		43	900 123 018 30	sealing ring A 16 X 20		1 1	
25	996 107 105 80	screw plug		1		44	900 036 008 02	cover 16 X 11		1	
26	900 123 140 30	sealing ring A 18 X 22		1		45	999 113 290 41	sealing ring AS 30 X 50 X 8		1	
27	900 219 009 30	screw plug M 18 X 1,5		1		(45)	999 113 290 41	sealing ring 30 X 50 X 10		1	
28	999 074 017 02	hexagon-head bolt M 10 X 18		1		46	999 707 285 40	o-ring 51 X 4,5		1	
29	999 113 426 41	shaft seal 90 X 110 X 12		1		47	900 012 061 00	straight pin 5H8 X 10		1	
29	996 102 264 91	shaft seal 90 X 110 X 12		1		48	999 217 111 02	screw M8 X 45		1	
29	996 102 264 92	shaft seal 90 X 110 X 12		1		49	999 704 172 50	sealing ring 16,3 X 22 X 9,5		1	
30	900 378 150 09	hexagon-head bolt AM 8 X 55		1				- - - E N D - - -			
31	900 031 001 02	washer 8,4		26							
32	999 084 095 02	lock nut M 8		23							
33	900 074 134 02	hexagon-head bolt M 8 X 45		2							
34	964 101 313 02	washer		13							

Model	Year	MG	SG	Illustration	Restrictions	Update	16:23	25.10.2006	PORSCHE	PET	PORSCHE
gt3-2	07	1	01	101-15		207					

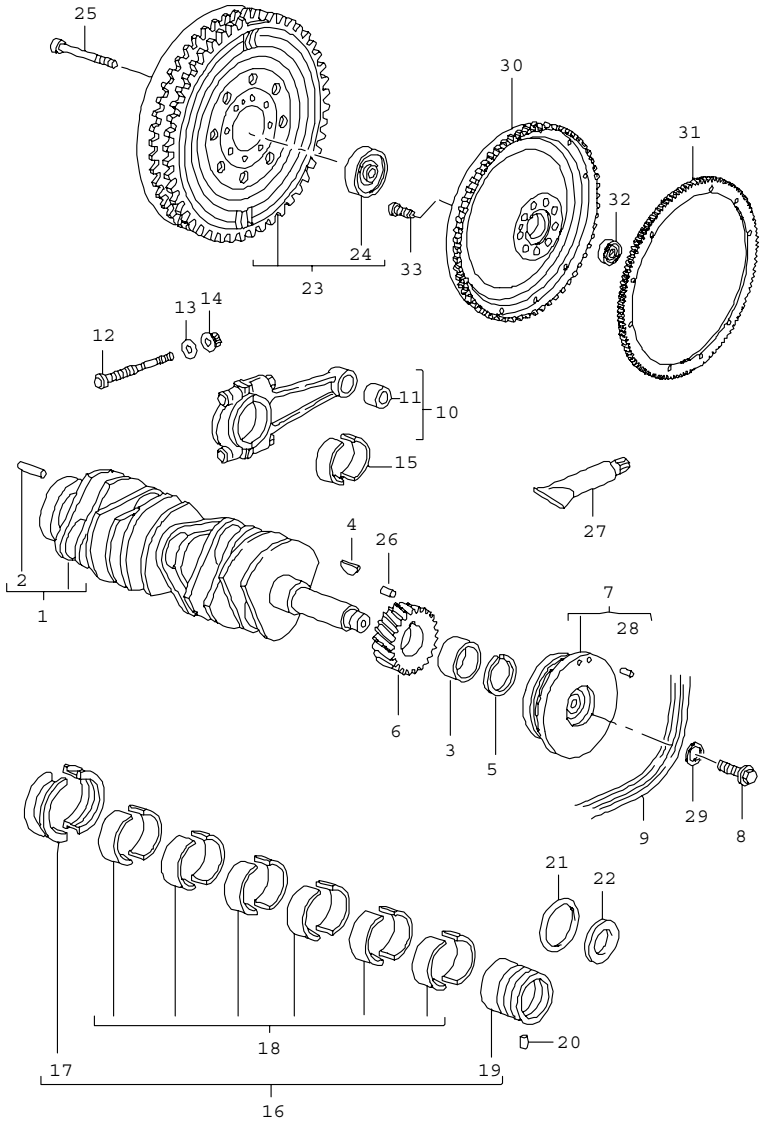


Pos	Part Number	Name	Remarks	Qty	Model
		belt tensioner belt drive			M97.76
1	996 115 112 70	bracket		1	
2	996 102 167 50	bearing sleeve		2	
3	996 102 365 50	dust boot		2	
4	996 115 913 70	lever		1	
5	996 115 016 70	tensioning roller		1	
6	999 072 041 09	hexagon-head bolt M 10 X 30		1	
7	999 218 005 02	pan-head screw M 6 X 16		1	
8	996 115 015 71	deflection roller		2	
9	996 102 125 53	cover disc		2	
10	996 115 221 71	tensioner		1	
11	900 074 063 02	hexagon-head bolt M 10 X 55		2	
12	900 067 131 02	screw M 8 X 16		2	
13	999 095 063 02	dowel sleeve 11 M 6 X 10		2	
14	900 378 098 09	hexagon-head bolt AM 10 X 60		4	
15	996 106 039 73	connection piece		1	
16	996 106 440 72	connection piece		1	
17	999 707 410 40	o-ring 39,20 X 3,00		2	
18	900 378 030 09	hexagon-head bolt M 6 X 20		4	
19	996 106 214 70	protective ring		2	
20	996 106 238 71	socket		2	
21	999 707 411 40	o-ring 28,00 X 4,50		4	
22	900 378 150 09	hexagon-head bolt M 8 X 55		1	

Model	Year	MG	SG	Illustration	Restrictions	Update	16:23	25.10.2006	PORSCHE	PET	PORSCHE
gt3-2	07	1	01	101-15		207					

Pos	Part Number	Name	Remarks	Qty	Model	Pos	Part Number	Name	Remarks	Qty	Model
23	900 378 022 09	hexagon-head bolt M 8 X 25		2							
24	996 606 405 01	temperature sensor		1							
25	996 115 213 71	driver		1							
		- - - E N D - - -									

Model	Year	MG	SG	Illustration	Restrictions	Update	16:23	25.10.2006	PORSCHE	PET	PORSCHE
gt3-2	07	1	02	102-00		207					

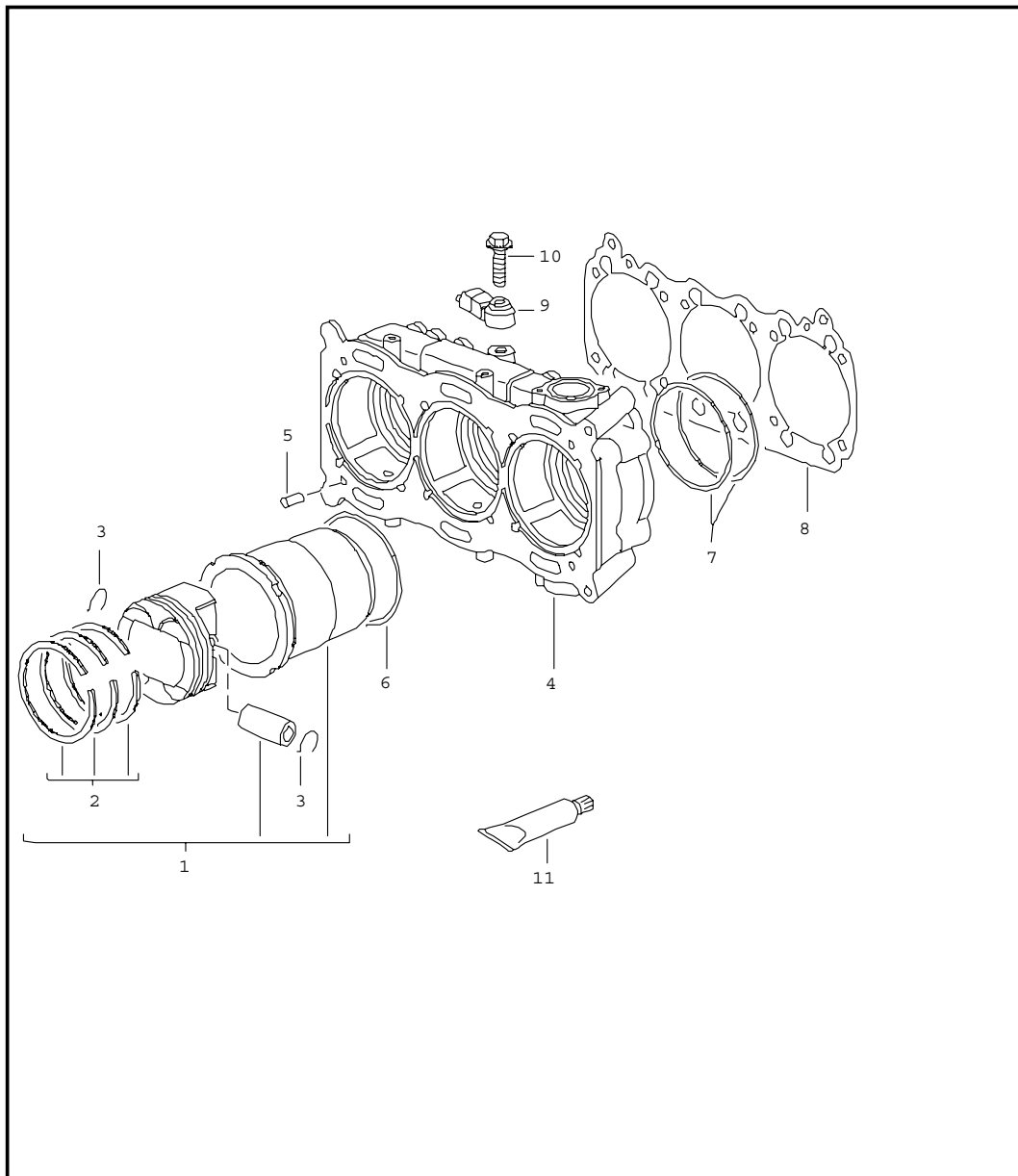


Pos	Part Number	Name	Remarks	Qty	Model
		crankshaft			M97.76
1	996 102 021 93	crankshaft		1	
2	900 095 031 00	tensioning sleeve 6 X 16		1	
3	959 102 321 00	intermediate ring		1	
4	901 102 147 00	woodruff key		1	
5	901 102 148 00	circlip number 0		1	
5	901 102 148 01	circlip number 1		1	
5	901 102 148 02	circlip number 2		1	
5	901 102 148 03	circlip number 3		1	
6	---	see group 1/03/15		1	
(7) K	996 102 017 93	pulley		1	
(8)	999 217 128 01	hexagon-head bolt M 14 X 1,5 X 33		1	
9	K 996 102 151 92	poly-rib belt		1	M 574
9	K 996 102 151 93	poly-rib belt		1	M 573
10	K 997 103 020 90	connecting rod		6	
11	997 103 134 90	connecting rod bush		6	
12	K 997 103 176 91	connecting rod bolt		12	
13	K 996 103 174 90	washer		12	
14	K 996 103 173 90	connecting rod nut		12	
15	997 103 121 90	connecting-rod bearing		12	
20	900 012 061 00	straight pin 5 H 8 X 10		1	
21	999 707 285 40	o-ring 51 X 4,5		1	
22	999 113 290 41	sealing ring 30 X 50 X 10		1	
23	996 114 012 50	double-mass flywheel		1	

Model	Year	MG	SG	Illustration	Restrictions	Update	16:23	25.10.2006	PORSCHE	PET	PORSCHE
gt3-2	07	1	02	102-00		207					

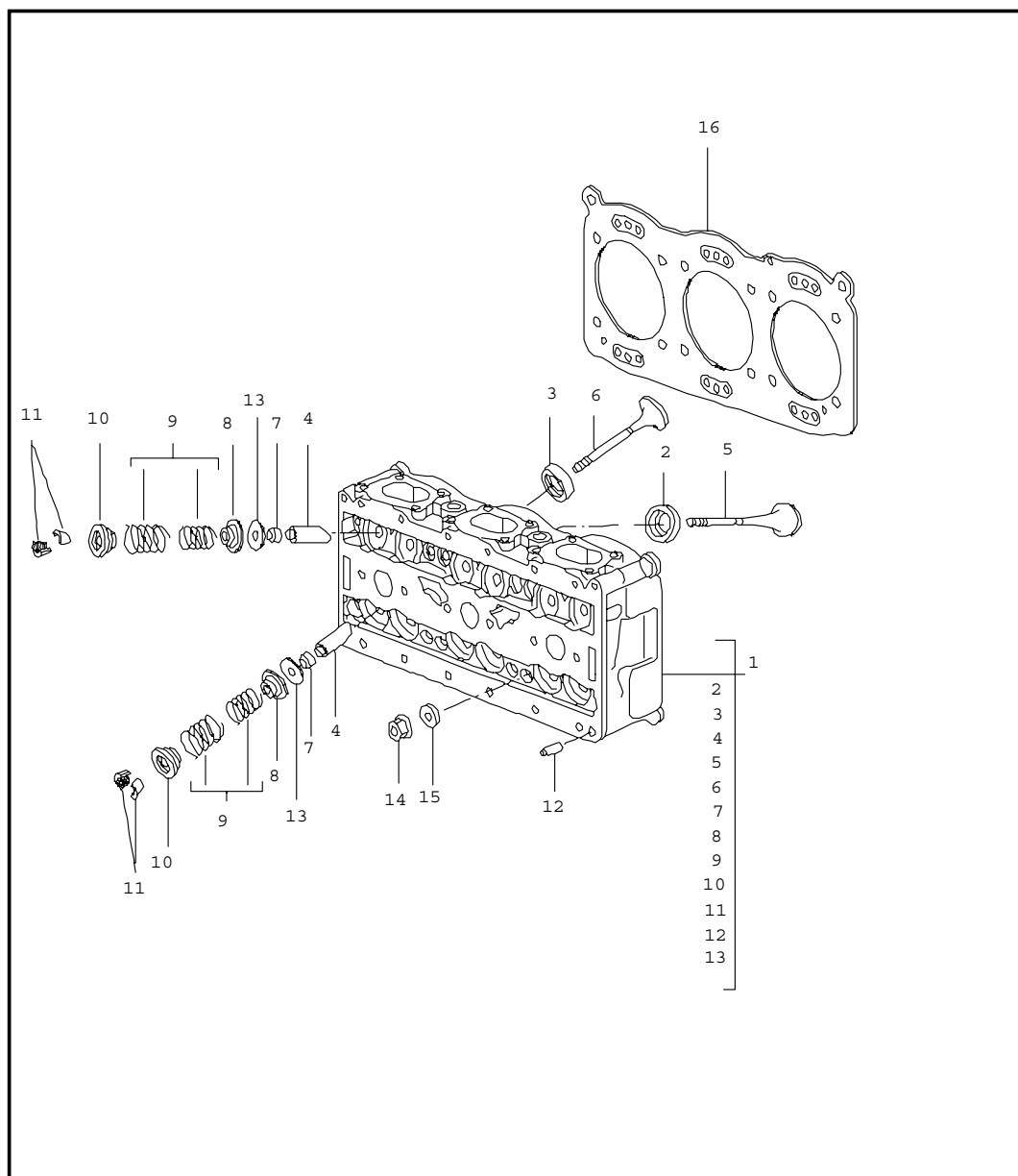
Pos	Part Number	Name	Remarks	Qty	Model	Pos	Part Number	Name	Remarks	Qty	Model
24	999 052 169 00	deep-groove ball bearing 30 X 37 X 4		1							
25	999 119 017 01	pan-head screw M 10 X 1,25 X 62		9							
26	900 302 023 00	straight pin M 4 X 16		1							
27	A 000 043 300 12	grease 100 GR.		1							
(27)	N 000 043 300 21	grease 100 Gr.		1							
28	900 012 071 00	straight pin A 4 X 8		1							
29	996 102 203 90	washer		1							
32	931 102 111 00	deep-groove ball bearing		1							
--	928 102 151 01	pan-head screw		9							
		- - - E N D - - -									

Model	Year	MG	SG	Illustration	Restrictions	Update	16:23	25.10.2006	PORSCHE	PET	PORSCHE
gt3-2	07	1	02	102-05		207					



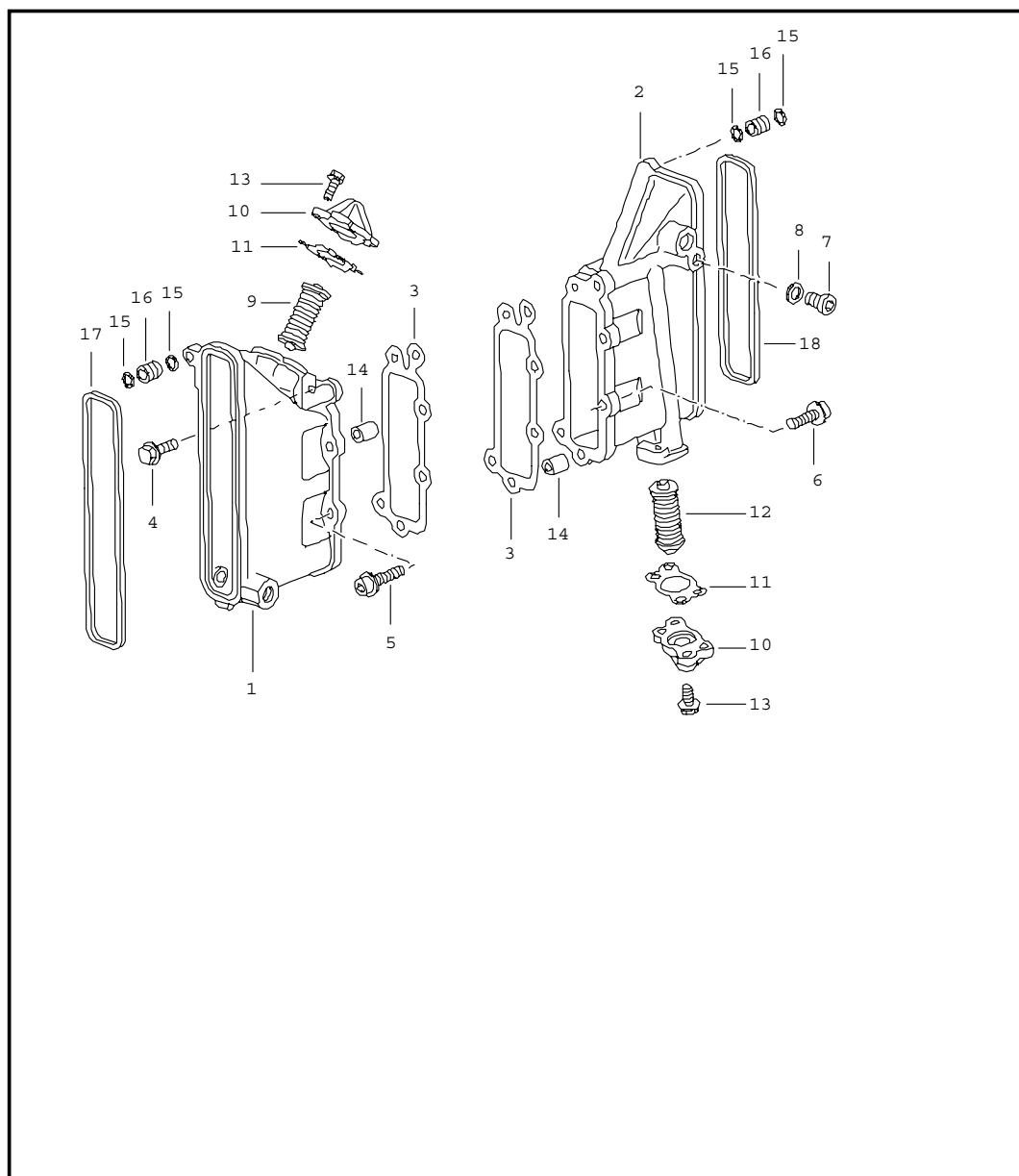
Pos	Part Number	Name	Remarks	Qty	Model
		cylinder with pistons			M97.76
1	997 103 915 94	cylinder with pistons number plate -- / -		6	
-	K 997 103 371 90	piston ring groove 1		6	
-	997 103 374 90	piston ring 2.		6	
-	K 996 103 374 91	piston ring 2.		6	
-	997 103 372 90	piston ring 3.		6	
3	K 999 178 020 00	snap ring		12	
-	997 103 160 91	piston pin		6	
4	996 101 911 75	housing		2	
5	900 012 046 00	straight pin A 8,0 X 14		8	
6	999 707 393 40	o-ring 104,00 X 2,00		6	
7	999 707 394 40	o-ring 110,00 X 2,50		12	
8	997 101 193 71	cylinder base gasket		2	
9	996 606 125 00	knock sensor		2	
10	900 378 033 09	hexagon-head bolt AM 8 X 30		2	
11	000 043 205 10	grease 80 GR.		1	
		- - - E N D - - -			

Model	Year	MG	SG	Illustration	Restrictions	Update	16:23	25.10.2006	PORSCHE	PET	PORSCHE
gt3-2	07	1	03	103-00		207					



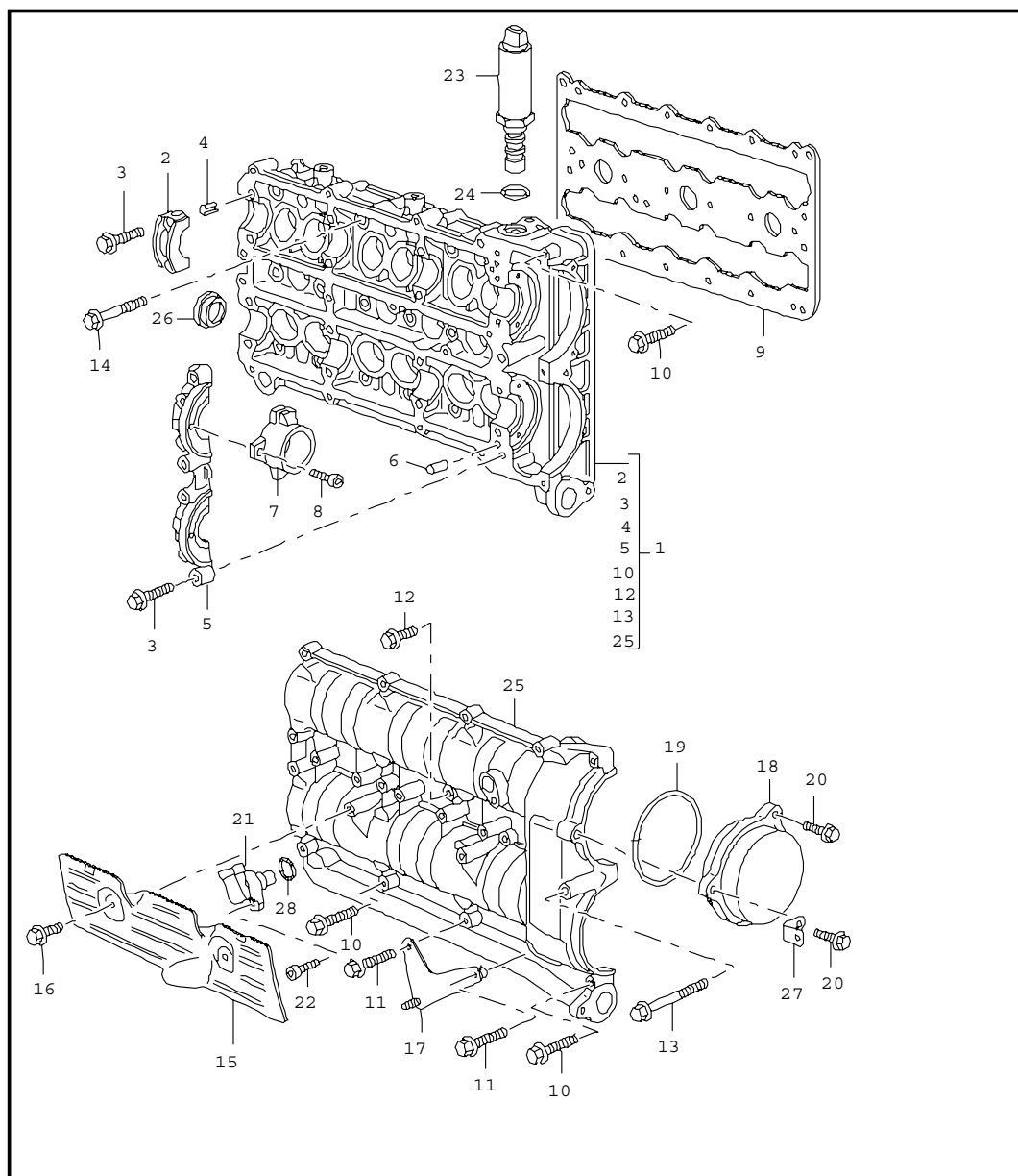
Pos	Part Number	Name	Remarks	Qty	Model
		cylinder head			M97.76
1	997 104 001 92	cylinder head ready for installation		2	
2	996 104 111 96	valve seat ring intake oversize		12	
3	996 104 113 96	valve seat ring exhaust oversize		12	
4	996 104 116 71	valve guide		24	
(4)	996 104 116 96	valve guide		24	
5	997 105 111 90	intake valve		12	
6	997 105 113 90	exhaust valve		12	
7	996 105 115 52	valve stem seal		24	
8	997 105 117 90	concave washer lower		24	
8	K 996 105 117 91	concave washer		24	
9	997 105 093 90	set of valve springs		24	
10	997 105 121 90	concave washer upper		24	
11	996 105 123 52	valve collet		48	
12	900 012 046 00	straight pin A 8,0 X 14		4	
13	K 996 105 461 90	washer		24	
13	K 996 105 461 93	washer		24	
14	996 104 382 80	cylinder head nut		24	
15	K 996 104 351 90	washer		24	
16	997 104 170 71	cylinder head gasket		2	
		- - - E N D - - -			

Model	Year	MG	SG	Illustration	Restrictions	Update	16:24	25.10.2006	PORSCHE	PET	PORSCHE
gt3-2	07	1	03	103-05		207					



Pos	Part Number	Name	Remarks	Qty	Model
		chain case chain adjuster			M97.76
1	996 105 143 79	chain case	/L	1	
2	K 997 105 144 90	chain case	/R	1	
3	996 105 192 71	gasket		2	
4	900 378 022 09	hexagon-head bolt AM 8 X 25		1	
5	900 067 276 02	pan-head screw M 8 X 35		4	
6	900 067 247 02	screw M 8 X 30		5	
7	900 219 006 02	screw plug M 12 X 1,5		1	
8	900 123 116 30	sealing ring A 12 X 15,5		1	
9	959 105 051 01	chain adjuster	/L	1	
10	993 105 022 01	cover		2	
11	996 105 172 70	gasket		2	
12	959 105 052 01	chain adjuster	/R	1	
13	900 378 030 09	hexagon-head bolt		4	
14	901 101 145 00	dowel sleeve		4	
15	999 707 229 40	o-ring 9,25 X 1,78		4	
16	996 105 229 90	intermediate piece		2	
17	996 105 513 72	gasket	/L	1	
18	996 105 514 72	gasket	/R	1	
		- - - E N D - - -			

Model	Year	MG	SG	Illustration	Restrictions	Update	16:24	25.10.2006	PORSCHE	PET	PORSCHE
gt3-2	07	1	03	103-10		207					

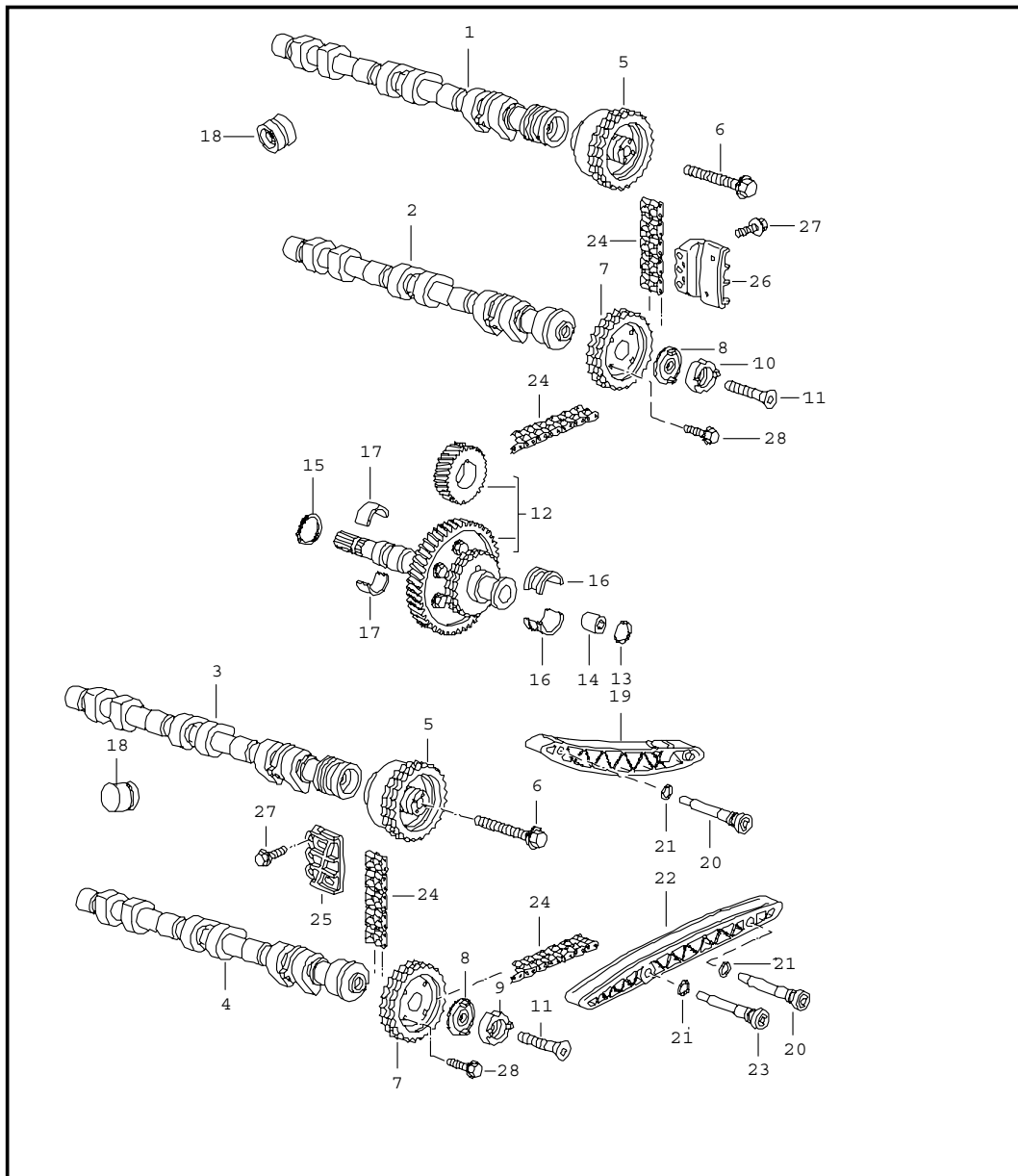


Pos	Part Number	Name	Remarks	Qty	Model
		camshaft housing			M97.76
1	997 105 907 90	camshaft housing	/L	1	
(1)	997 105 908 90	camshaft housing	/R	1	
2	U 996 105 511 71	housing		12	
3	900 378 177 09	hexagon-head bolt AM 6 X 30		32	
4	944 104 361 00	dowel sleeve		24	
5	U 996 105 512 75	housing		2	
6	900 012 071 00	straight pin A 4,0 X 8		4	
7	996 105 233 72	housing	/L	1	
(7)	996 105 234 72	housing	/R	1	
8	900 067 051 02	pan-head screw M 5 X 10		6	
9	996 105 613 71	gasket		2	
10	900 378 174 09	hexagon-head bolt AM 6 X 35		22	
11	900 378 029 09	hexagon-head bolt M 6 X 40		6	
12	900 378 013 09	hexagon-head bolt AM 6 X 25		16	
13	900 378 151 09	hexagon-head bolt M 6 X 70		2	
(13)	900 378 234 09	hexagon-head bolt M 6 X 75		2	
(14)	900 378 224 09	hexagon-head bolt AM 8 X 50		36	
15	996 104 426 73	cover plate		2	
16	900 378 036 09	hexagon-head bolt M 6 X 12		4	
17	996 107 319 90	support	/R	1	
18	996 105 315 74	cover		2	
19	999 707 482 40	o-ring 90,00 X 2,50		2	

Model	Year	MG	SG	Illustration	Restrictions	Update	16:24	25.10.2006	PORSCHE	PET	PORSCHE
gt3-2	07	1	03	103-10		207					

Pos	Part Number	Name	Remarks	Qty	Model	Pos	Part Number	Name	Remarks	Qty	Model
19	999 707 452 40	o-ring 92,00 X 2,5		2							
20	900 378 030 09	hexagon-head bolt M 6 X 20		6							
21	997 606 106 01	hall sender		2							
22	900 067 117 09	pan-head screw M 6 X 16		2							
23	996 105 303 71	actuator		2							
24	999 707 504 40	o-ring 24 X 2,50		2							
25	---	cover matching with: camshaft housing		2							
26	996 105 329 70	cover		4							
27	477 971 881 A	retaining bracket		1							
--	999 511 239 40	cable holder		1							
28	999 707 404 40	o-ring 17,05 X 1,78		2							
--	996 607 117 00	support		1							
		- - - E N D - - -									

Model	Year	MG	SG	Illustration	Restrictions	Update	16:24	25.10.2006	PORSCHE	PET	PORSCHE
gt3-2	07	1	03	103-15		207					

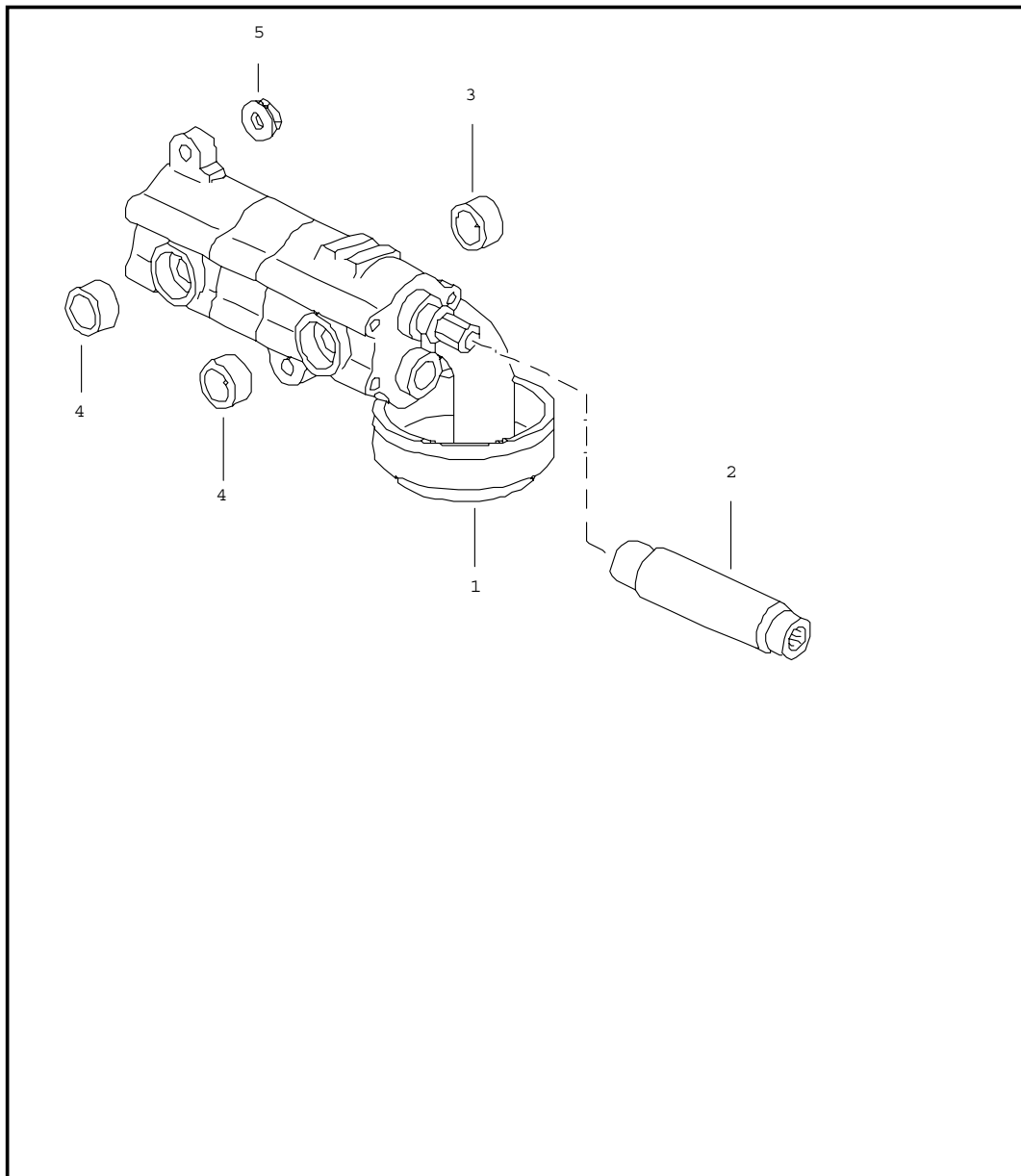


Pos	Part Number	Name	Remarks	Qty	Model
		valve control			M97.76
1	K 997 105 020 91	camshaft intake cylinder 4-6		1	
2	K 996 105 245 90	camshaft exhaust cylinder 4-6		1	
3	K 997 105 019 91	camshaft intake cylinder 1-3		1	
4	K 997 105 245 90	camshaft exhaust cylinder 1-3		1	
4	997 105 051 91	actuator		2	
5	987 105 254 00	hexagon-head bolt M 12 X 1,5 X 130		2	
6	996 105 177 72	sprocket camshaft exhaust 1-3		1	
6	996 105 178 72	sprocket camshaft exhaust 4-6		1	
7	996 105 647 80	washer		2	
8	959 105 161 00	drive plate		1	
9	959 105 161 01	drive plate		1	
10	997 105 317 71	pan-head screw M 12 X 1,5 X 43		2	
11	959 105 911 90	intermediate shaft with timing gear size 0		1	
11	959 105 911 12	intermediate shaft with timing gear size 1		1	
12	900 041 026 01	circlip 13 X 1		1	

Model	Year	MG	SG	Illustration	Restrictions	Update	16:24	25.10.2006	PORSCHE	PET	PORSCHE
gt3-2	07	1	03	103-15		207					

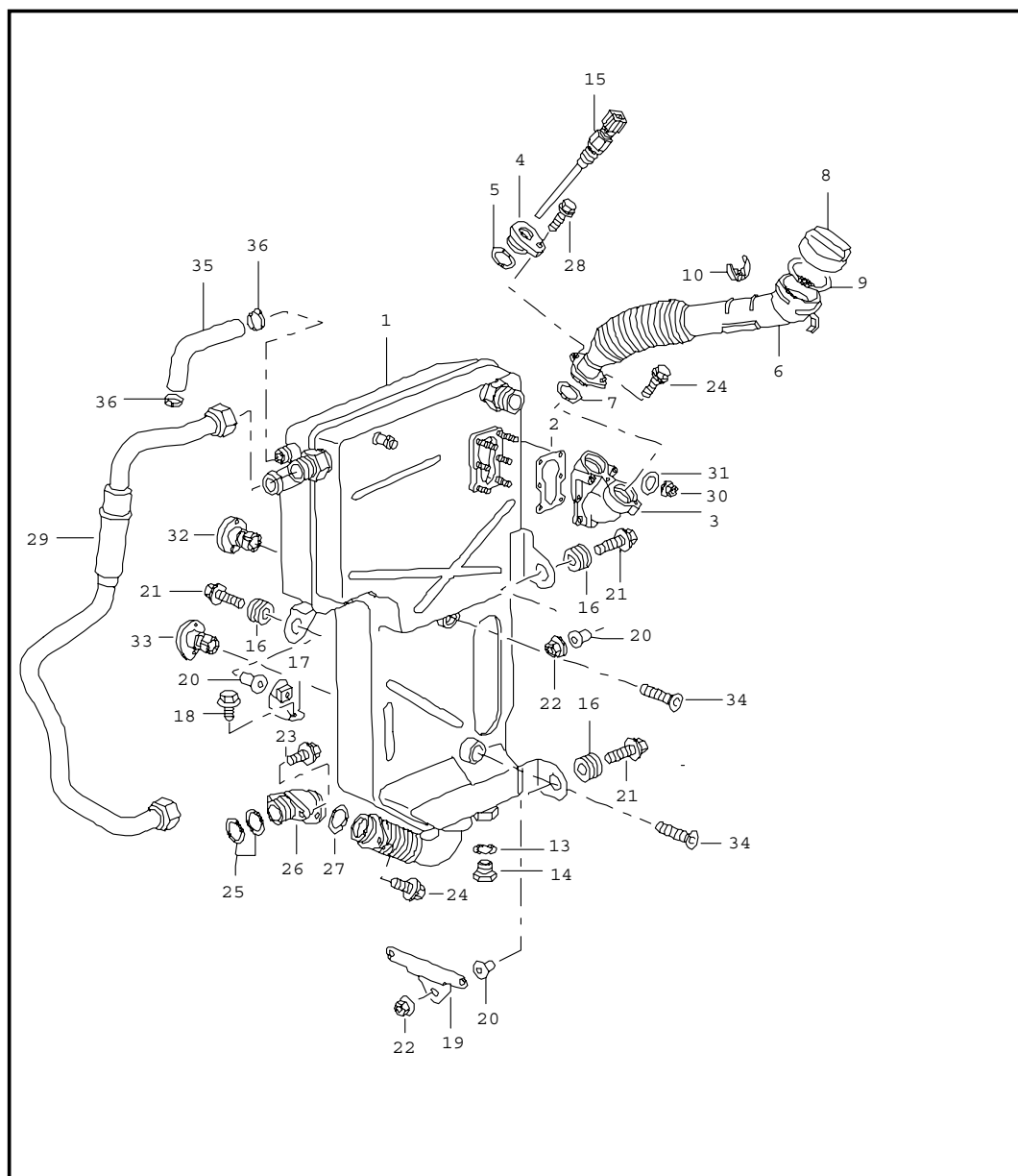
Pos	Part Number	Name	Remarks	Qty	Model	Pos	Part Number	Name	Remarks	Qty	Model
13	901 105 275 00	plug		1							
14	N 012 296 1	circlip 16 X 1		1							
15	996 101 137 80	bearing		2							
16	996 101 435 70	bearing shell		2							
17	948 105 071 01	hydraulic valve tappet		24							
18	996 105 165 71	tensioner blade		2							
19	964 105 171 02	bolt		4							
20	900 123 152 30	sealing ring		6							
21	996 105 167 70	guide piece	/L	1							
(21)	996 105 166 70	guide piece	/R	1							
22	959 105 175 01	pin		2							
23	959 105 552 01	timing chain		2							
24	996 105 037 74	guide piece	/L	1							
25	996 105 038 74	guide piece	/R	1							
26	900 378 157 09	hexagon-head bolt AM 6 X 25		6							
27	900 378 030 09	hexagon-head bolt M 6 X 20		8							
28	996 105 280 90	ring		3							
29	996 105 178 72	sprocket camshaft exhaust 4-6		1							
		- - - E N D - - -									

Model	Year	MG	SG	Illustration	Restrictions	Update	16:24	25.10.2006	PORSCHE	PET	PORSCHE
gt3-2	07	1	04	104-00		207					



Pos	Part Number	Name	Remarks	Qty	Model
		oil pump			M97.76
2	930 107 143 03	connecting shaft		1	
3	999 704 173 50	sealing ring 19,5 X 26		1	
4	999 704 172 50	sealing ring 16,3 X 22		2	
5	900 380 005 09	hexagon nut M 8		3	
- - - E N D - - -					

Model	Year	MG	SG	Illustration	Restrictions	Update	16:24	25.10.2006	PORSCHE	PET	PORSCHE
gt3-2	07	1	04	104-05		207					

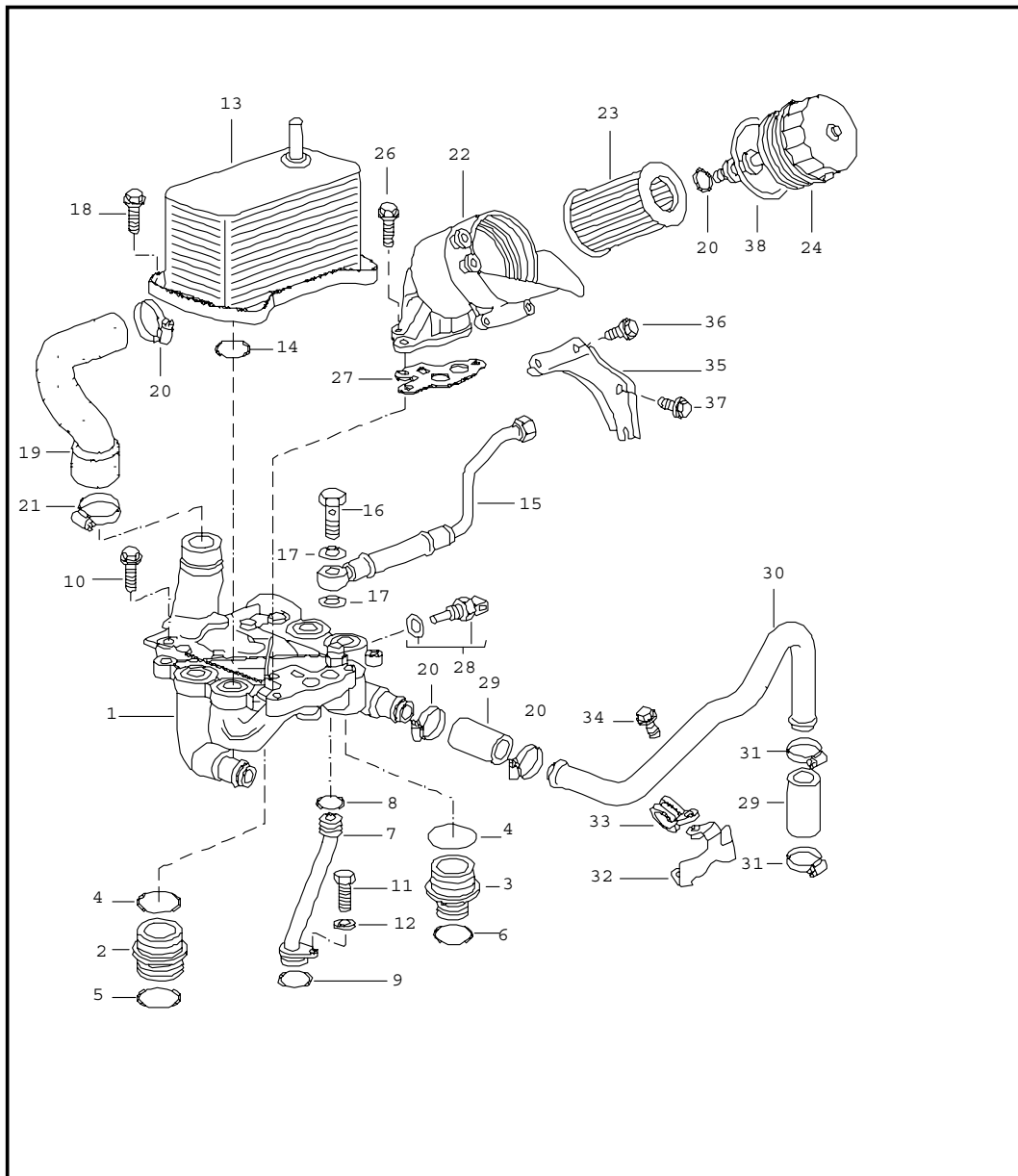


Pos	Part Number	Name	Remarks	Qty	Model
		engine lubrication oil tank			M97.76
1	K 997 207 070 91	oil tank		1	
2	993 207 226 00	gasket		1	
3	996 207 150 72	intermediate piece		1	
4	996 207 212 70	flange		1	
5	999 707 343 40	o-ring 25,07 X 2,62		1	
6	996 107 150 59	filler tube		1	
7	999 707 481 40	o-ring 24 X 3,0		1	
8	996 107 035 52	cover		1	
9	996 107 336 00	gasket		1	
10	996 207 233 71	retaining clip		1	
11	K 996 207 231 94	oil level dipstick		1	
12	K 996 207 031 90	guide tube		1	
13	900 123 010 20	sealing ring 20 X 24		1	
14	944 107 197 01	screw plug M 20 X 1,5		1	
15	996 606 140 00	oil-level sender		1	
16	999 702 193 40	rubber sleeve 17,0 X 24,0 X 1,8		3	
17	997 207 421 90	support		1	
18	900 378 074 09	hexagon-head bolt M 8 X 16		1	
19	997 207 417 71	support		1	
20	999 209 037 02	spacer sleeve 8,4 X 1,8		3	
21	900 378 108 09	hexagon-head bolt AM 8 X 35		3	
22	999 084 210 02	lock nut M 8		2	
23	900 378 017 09	hexagon-head bolt M 8 X 20		2	

Model	Year	MG	SG	Illustration	Restrictions	Update	16:24	25.10.2006	PORSCHE	PET	PORSCHE
gt3-2	07	1	04	104-05		207					

Pos	Part Number	Name	Remarks	Qty	Model	Pos	Part Number	Name	Remarks	Qty	Model
24	900 378 035 09	hexagon-head bolt M 6 X 16		2							
25	999 707 316 40	o-ring 21,89 X 2,62		2							
26	996 207 112 72	intake connection		1							
27	999 707 364 40	sealing ring 30 X 2,5		1							
28	900 378 030 09	hexagon-head bolt M 6 X 20		1							
29	K 996 107 027 94	return line		1							
30	N 011 005 14	hexagon nut M 5		6							
31	N 011 556 2	washer 5,3 X 9,5 X 1		6							
32	996 207 207 71	spacer upper		1							
33	996 207 206 71	spacer lower		1							
34	900 249 061 09	countersunk-head screw M 12 X 40		2							
35	996 207 291 91	support filler tube		1							
36	900 378 036 09	hexagon-head bolt M 6 X 12		1							
37	996 207 293 90	clamp mount filler tube		1							
38	900 377 010 09	hexagon nut M 6		1							
		- - - E N D - - -									

Model	Year	MG	SG	Illustration	Restrictions	Update	16:25	25.10.2006	PORSCHE	PET	PORSCHE
gt3-2	07	1	04	104-10		207					

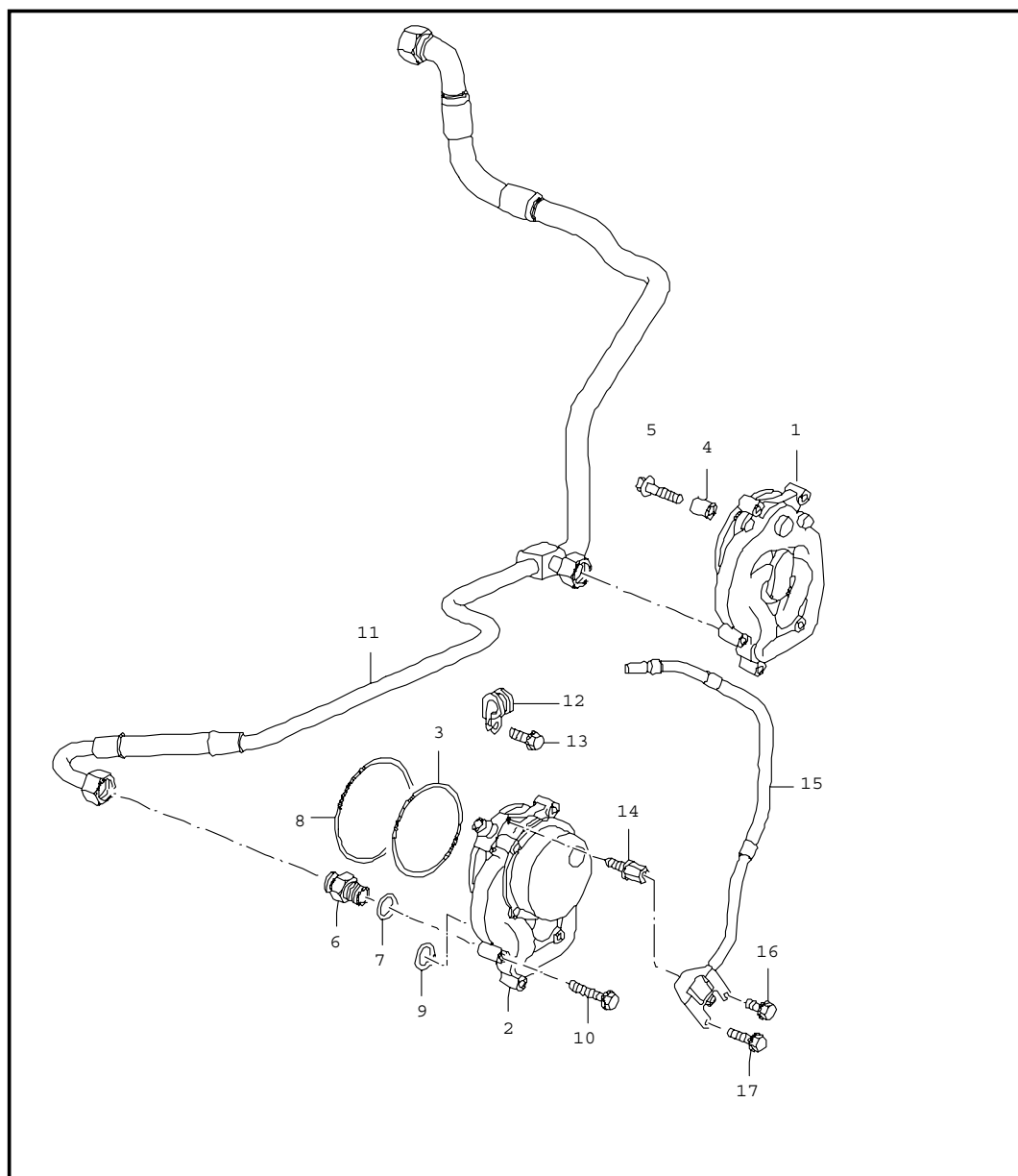


Pos	Part Number	Name	Remarks	Qty	Model
		oil filter bracket			M97.76
1	997 107 033 90	bracket		1	
2	996 107 441 71	socket		1	
3	996 107 451 72	socket		1	
4	999 707 422 40	o-ring 32,92 X 3,53		2	
5	999 707 426 40	o-ring 37,69 X 3,53		1	
6	999 707 113 40	round seal 20,22 X 3,53		1	
7	996 107 311 72	return pipe		1	
8	999 701 789 40	o-ring 12,00 X 2,00		1	
9	999 707 424 40	o-ring 17,04 X 3,53		1	
(9)	999 707 446 40	o-ring 18 X 2,5		1	
10	900 075 341 02	screw M 6 X 25		4	
11	900 378 177 09	hexagon-head bolt M 6 X 30		1	
12	N 011 524 7	washer A 6,4		1	
13	997 107 025 90	heat exchanger		1	
14	999 707 409 40	o-ring 26,00 X 3,00		4	
15	K 996 107 477 90	oil pipe		1	
(15)	K 996 107 477 92	oil pipe		1	
16	N 021 074 1	banjo bolt 10		1	
17	900 123 007 30	sealing ring A 14 X 18		2	
18	900 378 035 09	hexagon-head bolt M 6 X 16		4	
19	996 207 143 70	breather hose		1	

Model	Year	MG	SG	Illustration	Restrictions	Update	16:25	25.10.2006	PORSCHE	PET	PORSCHE
gt3-2	07	1	04	104-10		207					

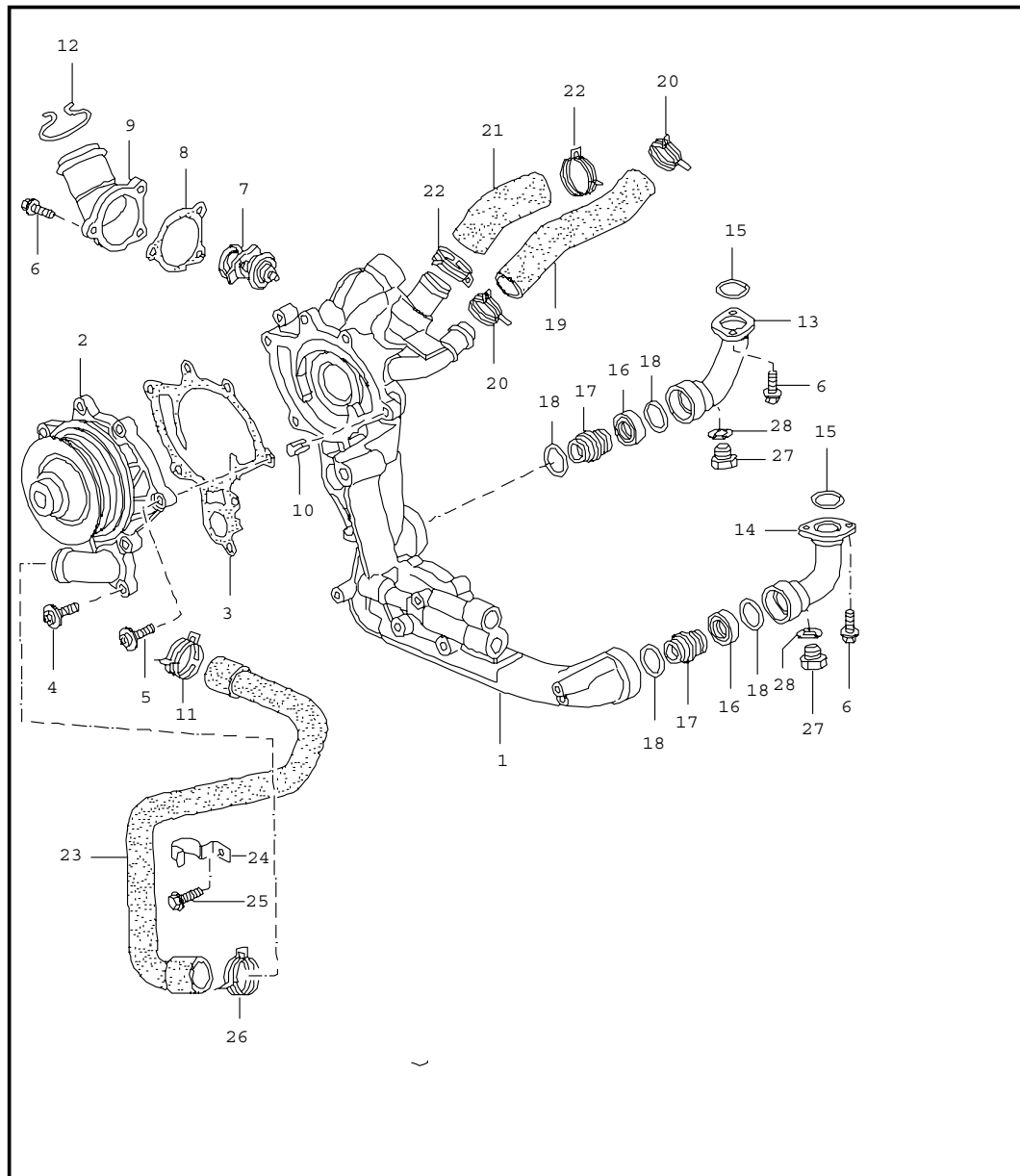
Pos	Part Number	Name	Remarks	Qty	Model	Pos	Part Number	Name	Remarks	Qty	Model
20	999 512 252 02	hose clamp 23 - 35/9		3							
21	999 512 348 02	hose clamp 40 - 60/9		1							
22	996 107 201 74	housing		1							
23	996 107 225 53	filter element		1							
24	996 107 285 70	cover		1							
25	999 707 465 40	o-ring 10 X 2		1							
26	900 378 022 09	hexagon-head bolt AM 8 X 25		3							
27	996 107 217 70	gasket		1							
28	K 996 606 150 90	temperature sensor		1							
29	900 181 064 51	hose		2							
30	K 996 106 145 90	return pipe		1							
31	999 512 551 00	hose clamp 29 X 12		2							
32	K 996 106 273 91	support		1							
33	999 511 080 02	clamp		1							
34	900 378 036 09	hexagon-head bolt M 6 X 12		1							
35	996 107 301 72	support		1							
36	900 378 108 09	hexagon-head bolt AM 8 X 35		2							
37	900 378 013 09	hexagon-head bolt AM 6 X 25		2							
38	996 107 313 51	sealing ring		1							
		- - - E N D - - -									

Model	Year	MG	SG	Illustration	Restrictions	Update	16:25	25.10.2006	PORSCHE	PET	PORSCHE
gt3-2	07	1	04	104-20		207					



Pos	Part Number	Name	Remarks	Qty	Model
		oil supply return			M97.76
1	K 996 107 021 91	oil pump cyl. 4 - 6		1	
2	K 997 107 022 91	tandem pump cyl. 1 - 3		1	
3	999 707 425 40	o-ring 85,32 X 3,53		2	
4	996 104 117 50	dowel sleeve		4	
5	900 378 225 01	hexagon-head bolt M 6 X 30		8	
6	900 915 006 01	union A 15		2	
7	900 123 106 30	sealing ring A 18 X 24		2	
8	N 999 707 482 41	o-ring 90,00 X 2,5		2	
9	N 999 707 499 40	o-ring 21,00 X 3,00		4	
10	900 385 270 01	hexagon-head bolt M 6 X 35		6	
11	997 107 019 90	return line		1	
12	999 511 250 02	clip		1	
13	900 385 041 01	hexagon-head bolt M 6 X 12		1	
14	N 997 107 357 70	screw M 6 X 25		1	
15	N 997 105 116 72	vacuum line tandem pump		1	
16	N 900 385 050 01	hexagon socket head bolt M 6 X 16		1	
17	N 900 385 130 01	hexagon socket head bolt M 6 X 10		1	
- - - E N D - - -					

Model	Year	MG	SG	Illustration	Restrictions	Update	16:25	25.10.2006	PORSCHE	PET	PORSCHE
gt3-2	07	1	05	105-00		207					

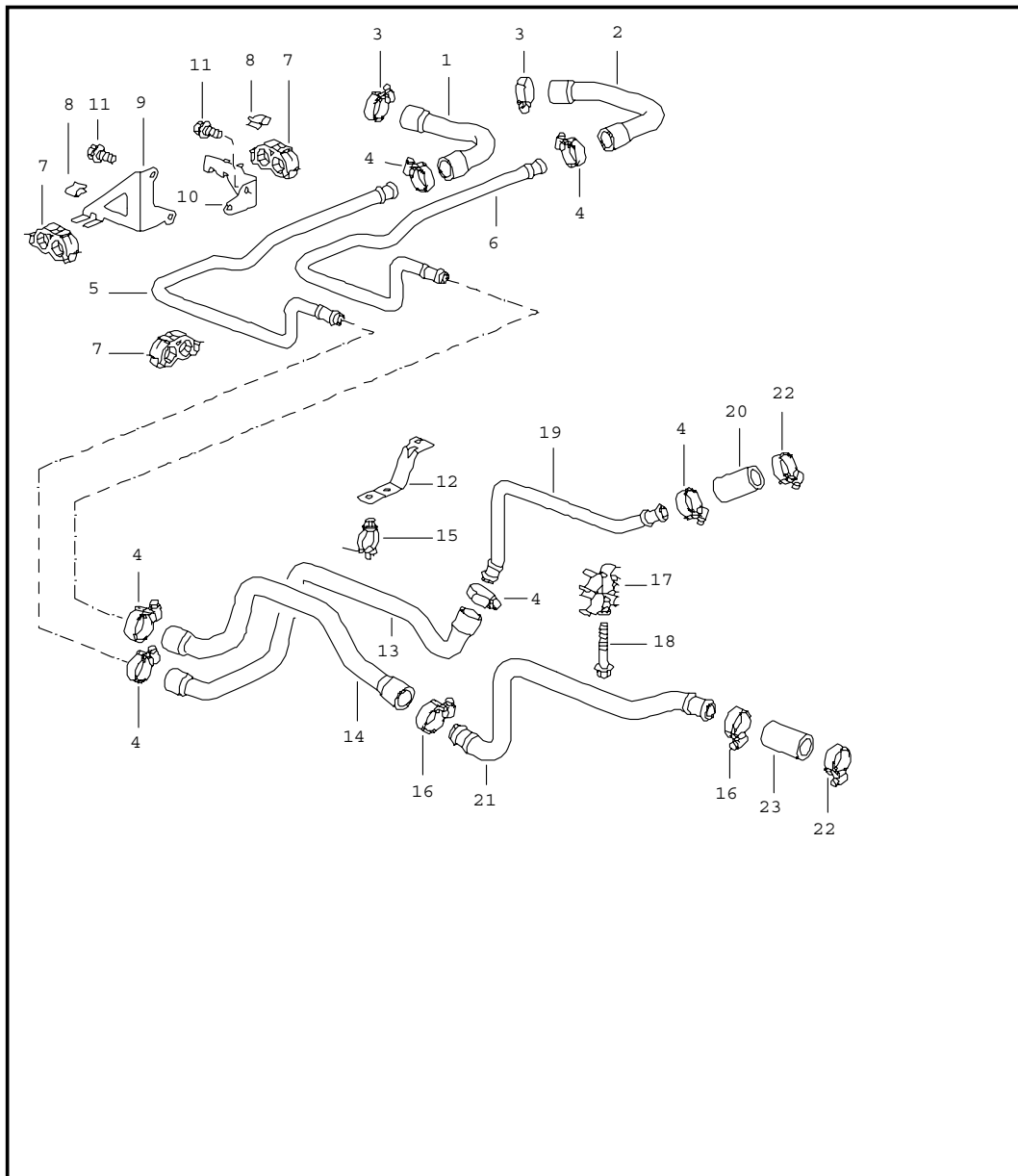


Pos	Part Number	Name	Remarks	Qty	Model
		water pump			M97.76
		water pump housing			
1	997 106 061 70	water pump housing		1	
2	996 106 011 72	water pump		1	
3	997 106 340 00	gasket		1	
4	999 073 188 09	oval-head screw M 6 X 25		5	
5	999 073 110 09	oval-head screw M 6 X 30		2	
6	900 378 030 09	hexagon-head bolt AM 6 X 20		7	
7	996 106 125 72	thermostat insert		1	
8	996 106 326 70	gasket		1	
9	996 106 121 71	cover		1	
10	996 106 103 50	dowel sleeve 8,2 X 7		2	
11	999 512 356 02	hose clamp		1	
12	996 106 802 10	retainer spring		1	
13	996 106 139 71	connection piece		1	
14	996 106 140 71	connection piece		1	
15	999 707 410 40	o-ring 39,20 X 3,00		2	
16	996 106 214 70	protective ring		2	
17	996 106 238 71	socket		2	
18	999 707 411 40	o-ring 28,00 X 4,50		4	
19	996 106 477 73	hose		1	
20	999 512 551 00	hose clamp 29 X 12		2	
21	996 106 529 71	hose		1	
22	999 512 590 09	hose clamp 35 X 12		2	
23	996 106 250 72	hose		1	
24	996 106 550 70	support		1	

Model	Year	MG	SG	Illustration	Restrictions	Update	16:25	25.10.2006	PORSCHE	PET	PORSCHE
gt3-2	07	1	05	105-00		207					

Pos	Part Number	Name	Remarks	Qty	Model	Pos	Part Number	Name	Remarks	Qty	Model
25	900 378 036 09	hexagon-head bolt M 6 X 12		1							
26	999 512 551 00	hose clamp 36 X 12		1							
27	900 219 007 02	screw plug M 10 X 1		2							
28	900 123 144 30	sealing ring A 10 X 13,5		2							
		- - - E N D - - -									

Model	Year	MG	SG	Illustration	Restrictions	Update	16:25	25.10.2006	PORSCHE	PET	PORSCHE
gt3-2	07	1	05	105-03		207					

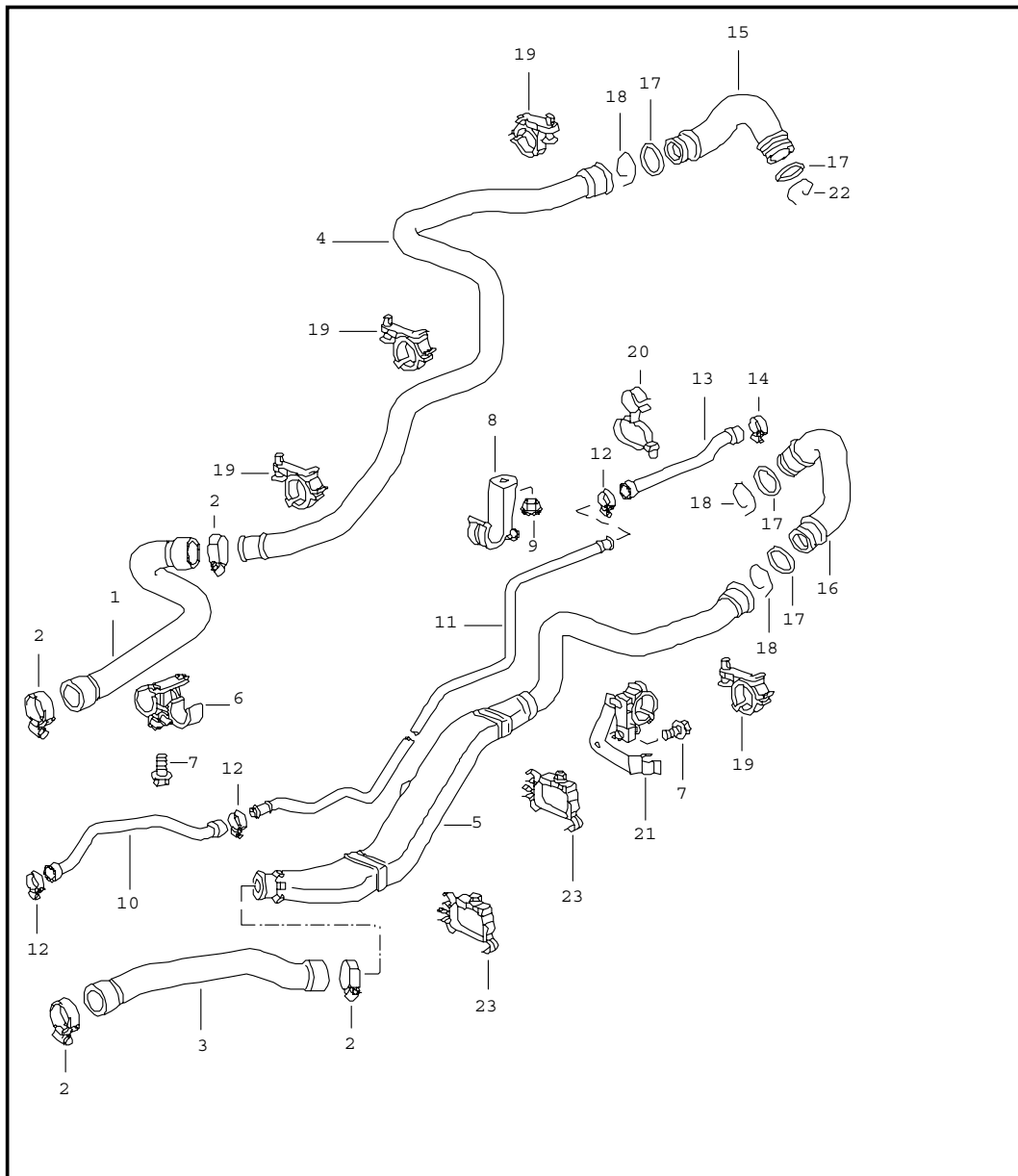


Pos	Part Number	Name	Remarks	Qty	Model
		lines heating			M97.76
1	996 106 212 72	hose supply		1	
2	996 106 222 72	hose return		1	
3	999 512 552 00	hose clamp 25 X 12		2	
(3)	999 512 356 02	hose clamp A25- 40/9		2	
4	999 512 552 00	hose clamp 27 X 12		6	
5	996 106 312 72	water tube supply		1	
6	996 106 322 72	water tube return		1	
7	999 507 700 41	hose holder 19		3	
8	999 507 701 02	u-clamp 2,75 - 3,00		4	
9	996 106 535 72	support	/L	1	
10	996 106 536 71	support	/R	1	
11	900 378 036 09	hexagon-head bolt M 6 X 12		4	
12	996 106 526 90	support		1	
13	996 106 434 72	hose supply		1	
14	996 106 424 72	hose return		1	
(14)	996 106 422 75	hose return		1	
15	999 513 023 40	tie-wrap 15,0 - 40		2	
16	999 512 551 00	hose clamp 32 X 12		2	
(16)	999 512 356 02	hose clamp A25- 40/9		2	
17	996 106 455 71	support		2	

Model	Year	MG	SG	Illustration	Restrictions	Update	16:25	25.10.2006	PORSCHE	PET	PORSCHE
gt3-2	07	1	05	105-03		207					

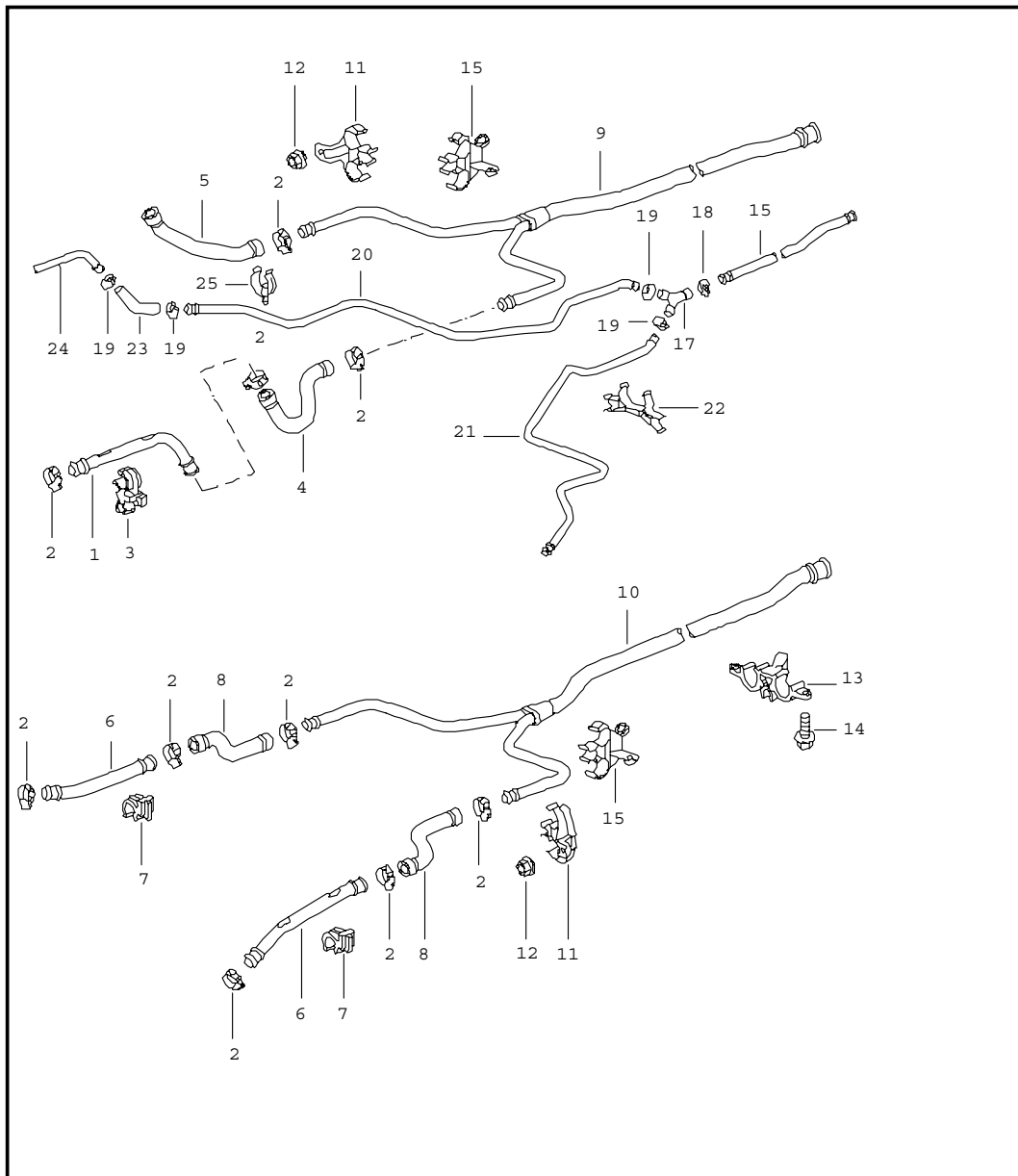
Pos	Part Number	Name	Remarks	Qty	Model	Pos	Part Number	Name	Remarks	Qty	Model
18	900 378 113 09	hexagon-head bolt AM 6 X 45		2							
19	997 106 252 90	water tube supply		1							
--	999 511 744 40	spacer		1							
20	996 106 233 72	hose supply		1							
21	997 106 254 90	water tube return		1							
22	999 512 356 02	hose clamp 25 - 40/9		2							
23	996 106 512 72	hose return		1							
		- - - E N D - - -									

Model	Year	MG	SG	Illustration	Restrictions	Update	16:26	25.10.2006	PORSCHE	PET	PORSCHE
gt3-2	07	1	05	105-05		207					



Pos	Part Number	Name	Remarks	Qty	Model
		water cooling 1			M97.76
1	K 996 106 740 91	hose		1	
2	999 512 348 02	hose clamp 49 X12		4	
3	K 996 106 641 91	hose		1	
4	996 106 610 73	water tube		1	
5	996 106 069 70	water tube		1	
6	996 106 475 51	support		1	
7	900 378 158 09	hexagon-head bolt M 6 X 16		2	
8	996 106 417 51	support		2	
9	900 377 010 09	hexagon nut M 6		2	
10	K 996 106 136 90	breather hose		1	
(10)	K 996 106 136 91	breather hose		1	
11	996 106 681 74	vent line		1	
12	999 512 554 00	hose clamp 20 X 12		3	
				1	
13	996 106 251 71	breather hose		1	
14	999 512 552 00	hose clamp 25 X 12		1	
15	996 106 501 74	hose		1	
16	996 106 502 74	water hose		1	
17	996 106 801 03	o-ring		4	
18	996 106 802 11	retainer spring		3	
19	996 106 417 73	support		5	
20	999 511 237 40	hose holder 10-52/-18		2	
21	996 106 509 71	support		1	
22	996 106 802 10	retainer spring		1	
23	996 106 429 71	support		2	
		- - - E N D - - -			

Model	Year	MG	SG	Illustration	Restrictions	Update	16:26	25.10.2006	PORSCHE	PET	PORSCHE
gt3-2	07	1	05	105-10		207					

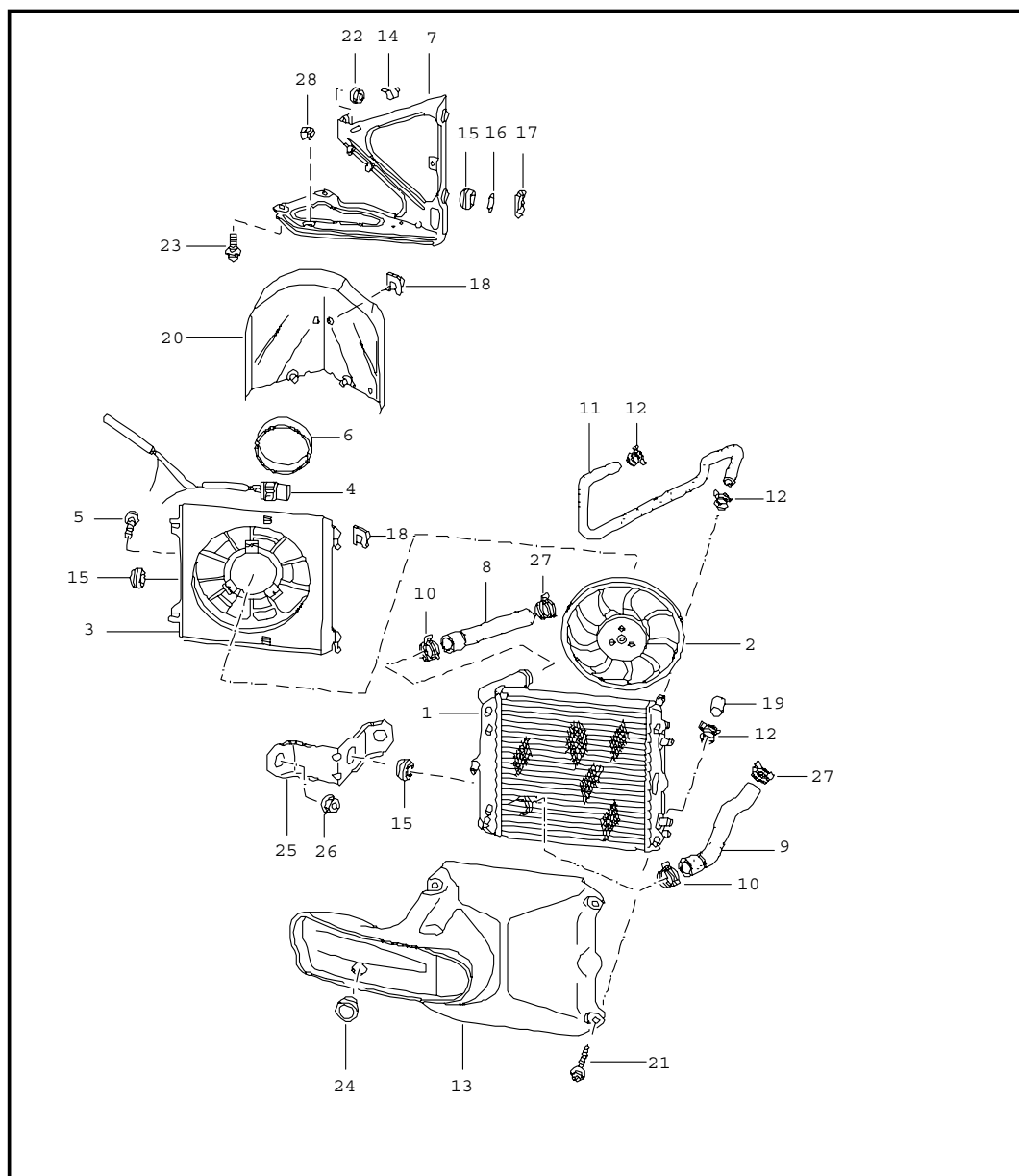


Pos	Part Number	Name	Remarks	Qty	Model
		water cooling 2			M97.76
1	N 997 106 711 02	water tube cross tube supply		1	
2	997 106 720 02	water tube cross tube return		1	
3	997 106 723 05	water hose		2	
4	997 106 525 01	support water tube cross tube centre		1	
5	997 106 574 02	support distributor tube right		1	
6	997 106 526 01	support cross tube upper		2	
7	997 106 573 02	support distributor tube left		1	
8	997 106 751 03	distributor tube supply		1	
9	997 106 752 03	distributor tube return		1	
10	997 106 413 01	support distributor tube		2	
(10)	997 106 413 01	support distributor tube	/R	1	I601
(10)	997 106 414 00	support distributor tube	/L	1	I601
11	900 378 013 09	hexagon-head bolt M6 X 25		2	
12	900 378 036 09	hexagon-head bolt M6 X 12		2	
13	997 106 767 02	vent line transverse		1	
14	N 997 106 227 03	vent line tunnel		1	

Model	Year	MG	SG	Illustration	Restrictions	Update	16:26	25.10.2006	PORSCHE	PET	PORSCHE
gt3-2	07	1	05	105-10		207					

Pos	Part Number	Name	Remarks	Qty	Model	Pos	Part Number	Name	Remarks	Qty	Model
15	N 997 106 651 03	water tube supply tunnel		1							
16	997 106 652 03	return pipe tunnel		1							
17	997 106 520 02	support bulkhead right		1							
18	997 106 521 01	support bulkhead left		1							
19	900 378 035 09	hexagon-head bolt M6 X 16		2							
20	997 106 512 03	connection piece vent line		1							
21	997 106 540 02	support tunnel		2							
22	997 106 551 03	sleeve		2							
23	see illustrations 1/05/05		X							
24	see illustrations 1/05/05		X							
		- - - E N D - - -									

Model	Year	MG	SG	Illustration	Restrictions	Update	16:26	25.10.2006	PORSCHE	PET	PORSCHE
gt3-2	07	1	05	105-15		207					

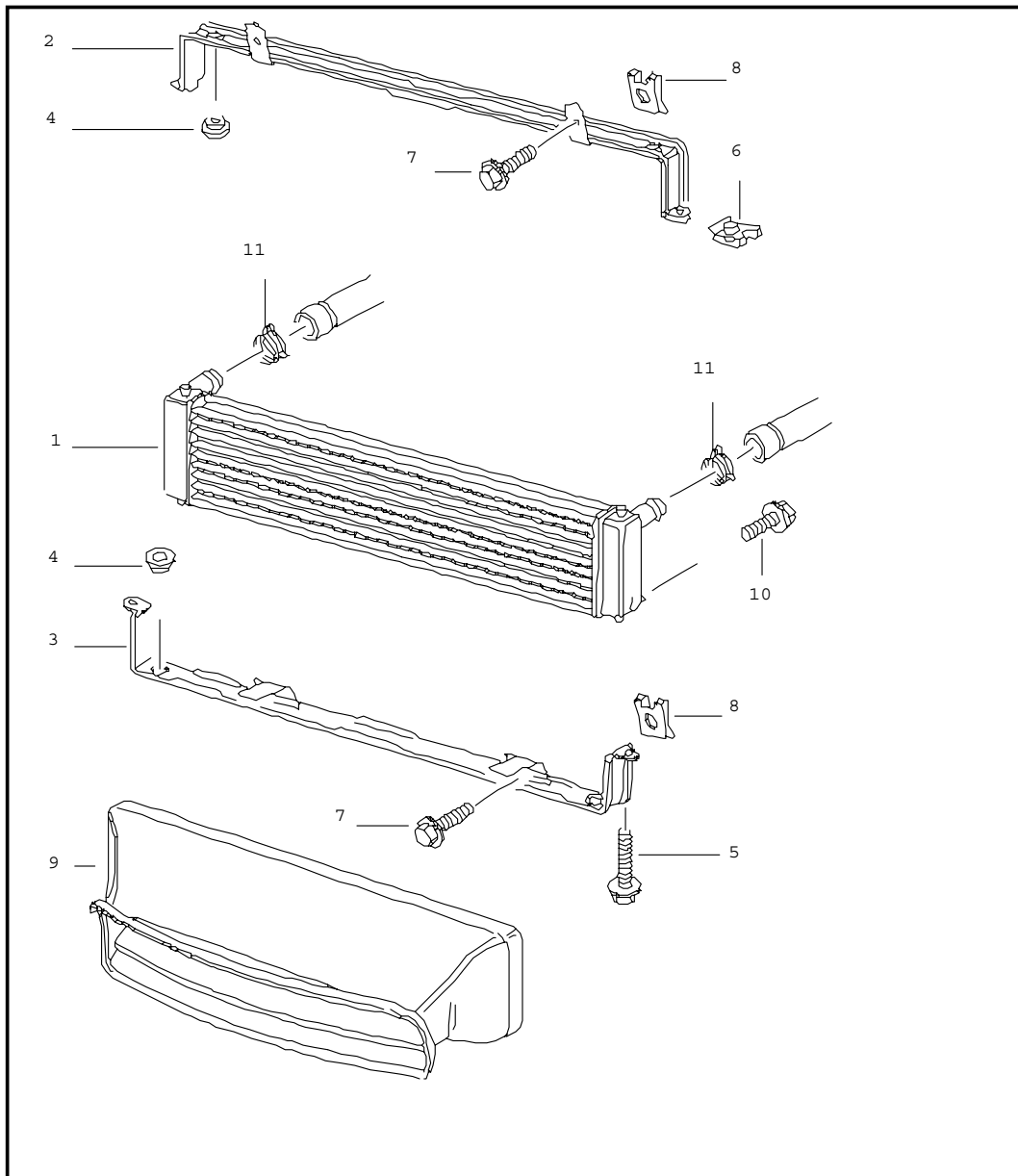


Pos	Part Number	Name	Remarks	Qty	Model
		water cooling 3			M97.76
1	997 106 131 02	radiator	/L	1	
(1)	997 106 132 02	radiator	/R	1	
2	997 624 135 02	fan	/L	1	
(2)	997 624 136 02	fan	/R	1	
3	997 624 131 02	air box	/L	1	
(3)	997 624 132 02	air box	/R	1	
4	900 377 001 02	hexagon nut M 6		6	
5	900 146 116 09	screw M 5 X 16		6	
6	997 573 711 00	sealing frame		1	
7	999 919 125 09	hexagon-head bolt plastic material M 6 x 16		6	
8	997 106 155 01	bracket	/L	1	
(8)	997 106 156 01	bracket	/R	1	
9	997 106 621 03	water hose supply	/L	1	
(9)	997 106 622 03	water hose supply	/R	1	
10	997 106 625 03	water hose return	/L	1	
10	997 106 626 03	water hose return	/R	1	
11	997 106 255 02	connecting piece		2	
12	997 106 802 01	spring SCB 33		1	
13	997 106 802 02	spring SCB 36		1	
14	997 575 321 00	air duct	/L	1	
(14)	997 575 322 00	air duct	/R	1	
15	999 919 134 09	oval-head screw M 6 X 16		6	

Model	Year	MG	SG	Illustration	Restrictions	Update	16:26	25.10.2006	PORSCHE	PET	PORSCHE
gt3-2	07	1	05	105-15		207					

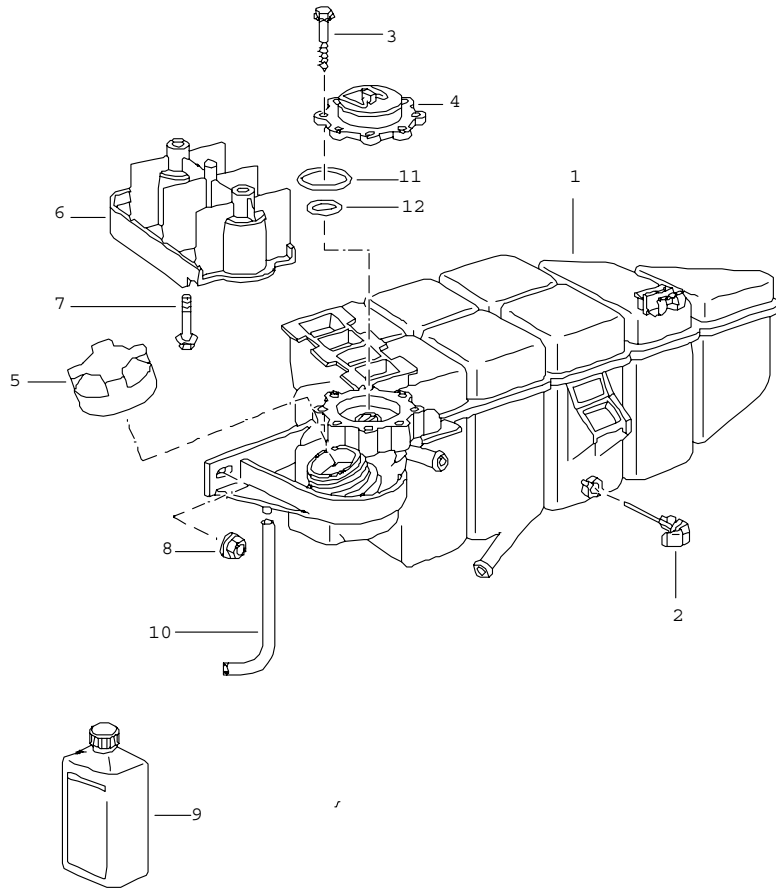
Pos	Part Number	Name	Remarks	Qty	Model	Pos	Part Number	Name	Remarks	Qty	Model
16	900 385 009 09	torx screw M 6 X 16		6							
17	999 703 494 40	rubber mounting 15 X 19,5		4							
18	999 025 255 02	washer		4							
19	999 166 083 09	tab washer B 25		4							
20	997 575 341 00	air duct	/L	1							
(20)	997 575 342 00	air duct	/R	1							
21	997 106 232 01	support outer		2							
22	997 106 455 00	support left		1							
23	999 591 350 02	speed nut ST 4,8		6							
24	997 106 231 02	support inner		2							
25	997 106 802 00	spring SCB 26		2							
26	997 106 901 00	clamp XX X XX		2							
27	997 106 902 00	clamp XX X XX		2							
28	---	condenser see illustrations 8/13/25									
29	997 106 456 00	support right		1							
30	900 377 010 09	hexagon nut M 6		2							
31	---	control unit cooling air control		1							
--	see illustrations 9/01/03		X							
--	K 997 106 135 90	sealing frame left	/L	1							
		- - - E N D - - -									

Model	Year	MG	SG	Illustration	Restrictions	Update	16:26	25.10.2006	PORSCHE	PET	PORSCHE
gt3-2	07	1	05	105-17		207					



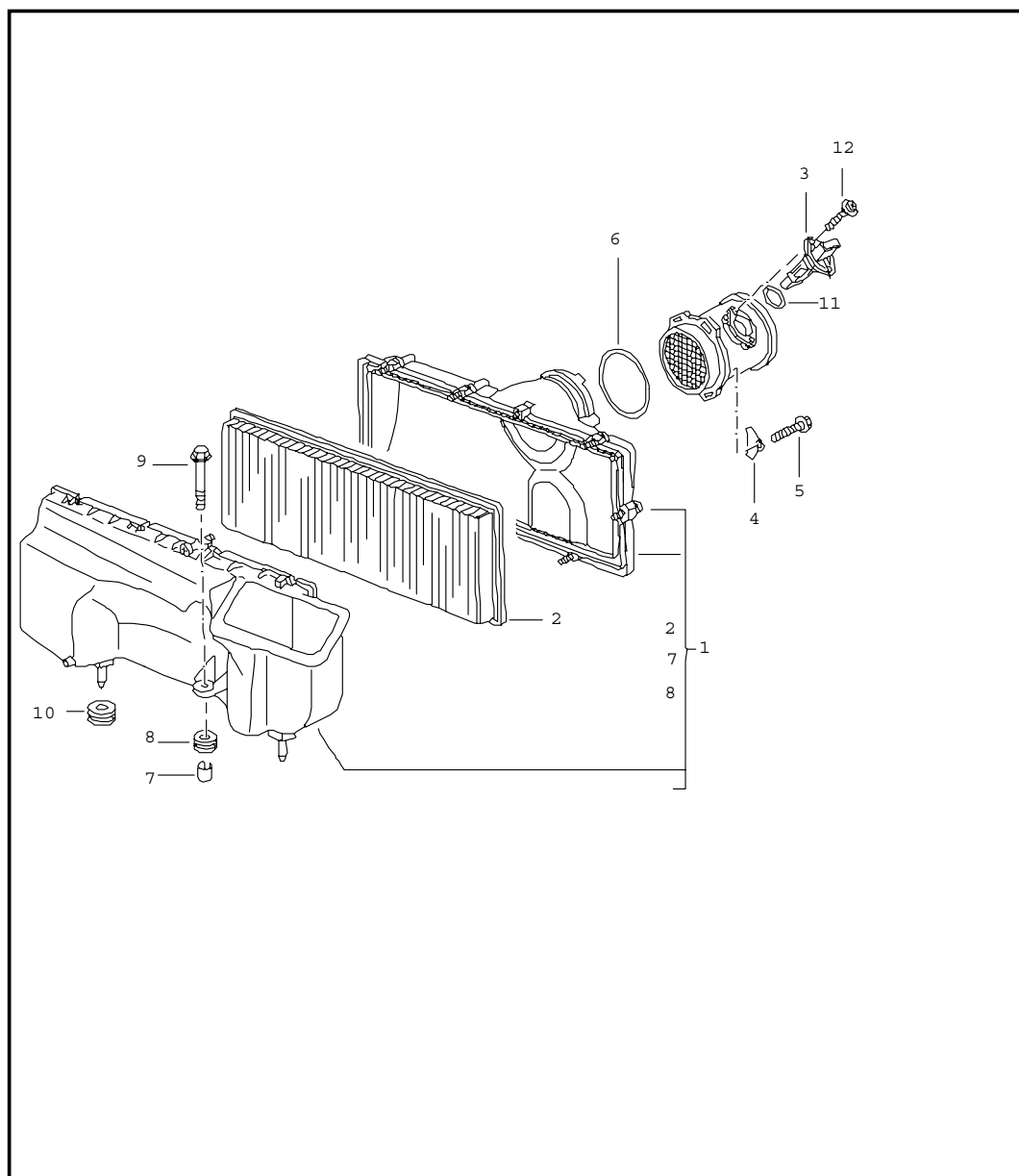
Pos	Part Number	Name	Remarks	Qty	Model
		radiator centre			M97.76
1	996 106 037 73	radiator		1	
2	996 504 487 02	retaining frame		1	
3	996 504 485 02	retaining frame		1	
4	930 113 430 00	rubber mounting		4	
5	900 378 036 09	hexagon-head bolt M 6 X 12		2	
6	999 507 550 02	speed nut M 6		2	
7	900 378 074 09	hexagon-head bolt M 8 X 16		4	
8	999 591 869 02	speed nut M 8		4	
9	996 575 141 02	air duct		1	
10	996 106 901 00	screw plug		1	
11	999 512 551 00	hose clamp		2	
		- - - E N D - - -			

Model	Year	MG	SG	Illustration	Restrictions	Update	16:26	25.10.2006	PORSCHE	PET	PORSCHE
gt3-2	07	1	05	105-20		207					



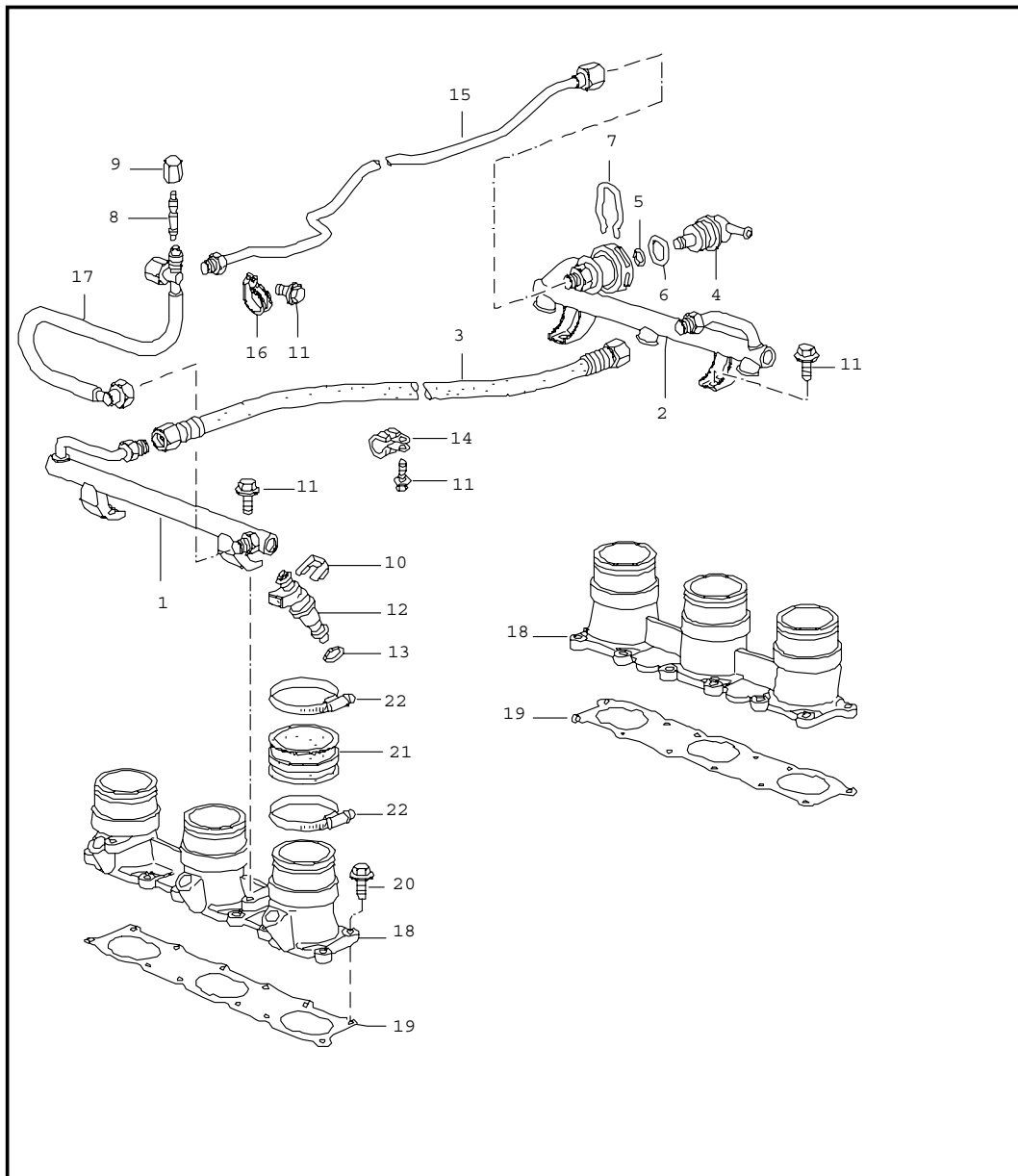
Pos	Part Number	Name	Remarks	Qty	Model
		water cooling 4			M97.76
1	996 106 147 56	water reservoir		1	
1	996 106 157 03	water reservoir when required order also: support fuel filter see group 2/01/10		1	
2	996 641 503 00	switch		1	
3	999 919 058 02	hexagon-head bolt 5,0 X 40		8	
4	996 106 347 01	bleeder valve		1	
5	996 106 447 01	cover		1	
6	996 106 405 70	support		1	
7	900 378 168 09	hexagon-head bolt M 6 X 30		2	
8	999 084 629 09	hexagon nut M 6		1	
9	000 043 301 03	antifreeze protection 1 LTR. container container		X	
(9)	000 043 300 31	antifreeze protection 20 LTR. container		X	
10	996 106 297 00	overflow hose		1	
11	999 707 370 40	o-ring 47 X 4		1	
12	999 707 371 40	o-ring 17 X 4		1	
- - - E N D - - -					

Model	Year	MG	SG	Illustration	Restrictions	Update	16:27	25.10.2006	PORSCHE	PET	PORSCHE
gt3-2	07	1	06	106-00		207					



Pos	Part Number	Name	Remarks	Qty	Model
		air cleaner			M97.76
1	997 110 021 90	air cleaner		1	
2	996 110 131 71	air cleaner cartridge		1	
3	986 606 125 01	mass air flow		1	
4	996 110 821 90	clamp		2	
5	999 919 085 02	screw 6,0 X 22		2	
6	999 707 052 40	o-ring 91 X 6		1	
7	900 095 099 02	roll pin 12,0 X 14		1	
8	999 702 246 40	grommet 12,0 X 17,0 X 3		1	
9	999 075 063 02	hexagon-head bolt M 6 X 34		1	
10	999 702 221 40	grommet 11,8 X 18,0 X 18		2	
11	986 606 925 00	o-ring		1	
12	999 919 160 07	oval-head screw		1	
--	997 110 321 90	pipe for mass air flow		1	
		- - - E N D - - -			

Model	Year	MG	SG	Illustration	Restrictions	Update	16:27	25.10.2006	PORSCHE	PET	PORSCHE
gt3-2	07	1	07	107-05		207					



Pos	Part Number	Name	Remarks	Qty	Model
		fuel collection pipe			M97.76
1	997 110 307 91	fuel collection pipe		1	
2	996 110 308 90	fuel collection pipe		1	
3	997 110 309 90	fuel hose		1	
4	997 110 199 70	pressure regulator		1	
5	999 707 276 40	o-ring 5 X 2,5		1	
6	999 707 277 40	o-ring 20 X 2,5		1	
7	993 110 196 00	retaining clip		1	
8	993 110 217 00	valve		1	
9	993 110 218 01	cap		1	
10	996 110 113 52	retaining clip		6	
11	900 378 036 09	hexagon-head bolt M 6 X 12		6	
11	900 378 035 09	hexagon-head bolt M 6 X 16		6	
12	997 605 132 01	injector valve		6	
13	944 110 901 01	o-ring 7,52 X 3,53		12	
14	999 511 234 02	clamp 16 X 15		1	
15	K 997 110 324 91	return line		1	
16	999 511 116 02	clamp 10 X 15		1	
17	996 110 315 72	feed line		1	
18	K 997 110 101 90	intake manifold		2	
19	996 110 103 91	gasket		2	
20	900 378 030 09	hexagon-head bolt M 6 X 20		24	
21	996 110 687 90	rubber sleeve		6	
22	999 512 349 02	hose clamp 50 - 70/9		12	
- - - E N D - - -					

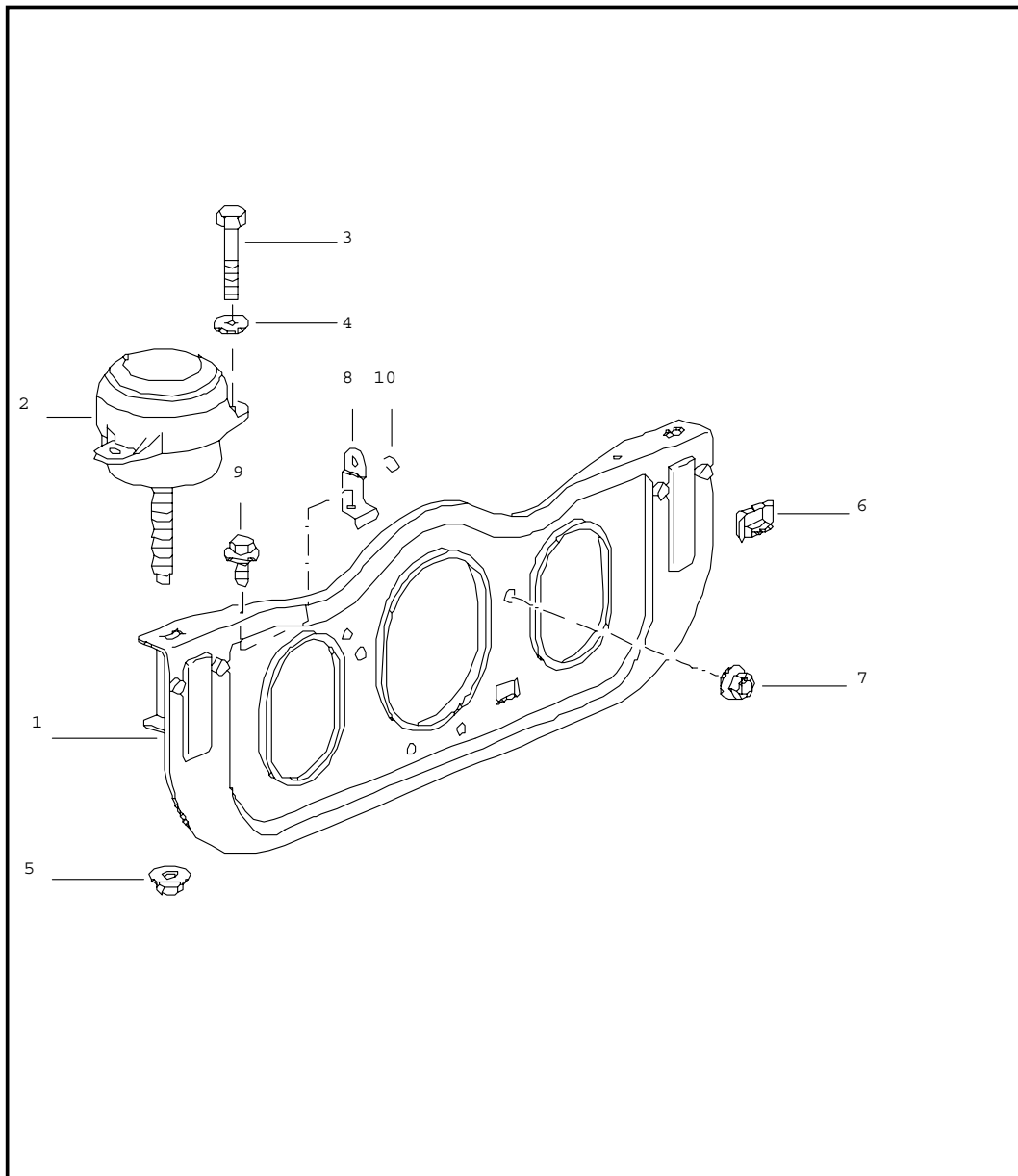
Model	Year	MG	SG	Illustration	Restrictions	Update	16:27	25.10.2006
gt3-2	07	1	08	108-05		207		

Pos	Part Number	Name	Remarks	Qty	Model
		air injection			M97.76
1	997 605 104 00	secondary pump		1	
2	999 209 054 02	spacer sleeve 6,9 X 1,0 X 22		3	
3	999 703 481 40	rubber mounting 10 X 13,2		3	
4	900 102 011 02	cutting ring		1	
5	999 261 079 02	cap screw		1	
6	900 378 177 09	hexagon-head bolt M 6 X 30		5	
7	996 113 275 90	pipeline		1	
8	996 113 213 71	gasket		1	
9	900 378 030 09	hexagon-head bolt M 6 X 20		4	
10	993 113 258 51	gasket		1	
11	996 113 240 90	support		1	
12	996 113 255 90	air hose		1	
13	999 512 346 00	hose clamp 16 - 27/9		2	
14	996 113 249 01	shut-off valve		1	
15	996 110 649 71	hose		1	
16	999 512 522 02	clamp 9.5 - 11.5		1	
17	996 605 123 01	change-over valve		1	
--	999 652 838 40	plug socket		1	
--	999 652 771 12	connector		2	
--	999 704 161 40	gasket		2	
18	928 574 717 03	hose		9	
19	999 239 040 40	connecting piece		2	
21	964 110 950 01	check valve		2	
--	000 043 205 01	pipe 4 X 1,0		*	
22	-	230 MM		1	
23	-	140 MM		1	

Model	Year	MG	SG	Illustration	Restrictions	Update	16:27	25.10.2006
gt3-2	07	1	08	108-05		207		

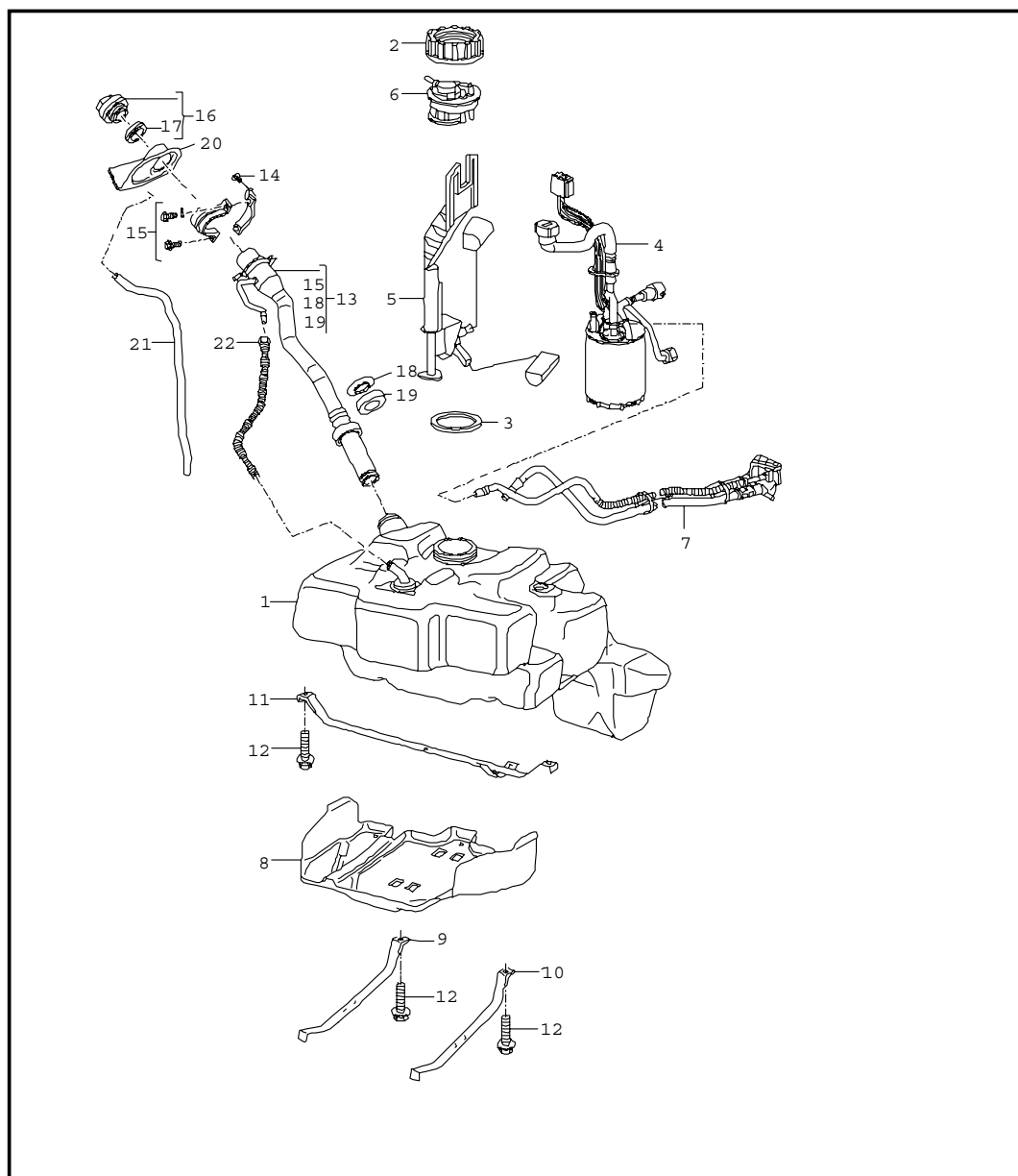
Pos	Part Number	Name	Remarks	Qty	Model
24	-	460 MM		1	
--	900 918 005 40	pipe 5 X 1,0		*	
26	-	245 MM		1	
27	-	140 MM		2	
28	-	300 MM		1	
29	-	190 MM		1	
30	928 573 729 03	distributing piece		1	
31	996 110 695 70	hose		3	
32	999 512 622 02	clamp 11.8 - 13.8		3	
33	999 137 005 40	t-piece		1	
34	996 110 697 71	hose		1	
35	996 110 697 72	hose		1	
36	999 512 527 00	clamp 8.5 - 10.0		2	
--	900 926 019 40	hose		*	
37	-	780 MM		2	
38	996 110 656 70	control line		1	
39	999 507 544 40	cable holder		1	
40	996 110 666 70	hose		1	
41	996 110 658 70	hose		1	
42	996 110 650 71	vent line		1	
43	999 507 658 09	cable holder		2	
44	996 605 155 00	cycle valve		1	
45	996 605 165 00	change-over valve		1	
- - - E N D - - -					

Model	Year	MG	SG	Illustration	Restrictions	Update	16:27	25.10.2006	PORSCHE	PET	PORSCHE
gt3-2	07	1	09	109-00		207					



Pos	Part Number	Name	Remarks	Qty	Model
		engine suspension			M97.76
1	996 375 013 01	engine carrier		1	
2	980 375 351 01	hydraulic mount		2	
3	900 378 056 02	hexagon-head bolt AM 8 X 60		12	
4	999 025 134 02	washer 8,4 X 21 3,0		4	
5	999 084 215 09	hexagon nut V M 12 X 1,5		2	
6	999 591 746 02	cable terminal 7,0 9,065		2	
7	900 377 011 09	hexagon nut M 10		4	
8	996 106 293 91	support		2	
9	900 378 036 09	hexagon-head bolt M 6 X 12		1	
10	999 511 080 02	clamp 22 X 15		1	
--	996 375 221 01	adapter		2	
		- - - E N D - - -			

Model	Year	MG	SG	Illustration	Restrictions	Update	16:27	25.10.2006	PORSCHE	PET	PORSCHE
gt3-2	07	2	01	201-00		207					

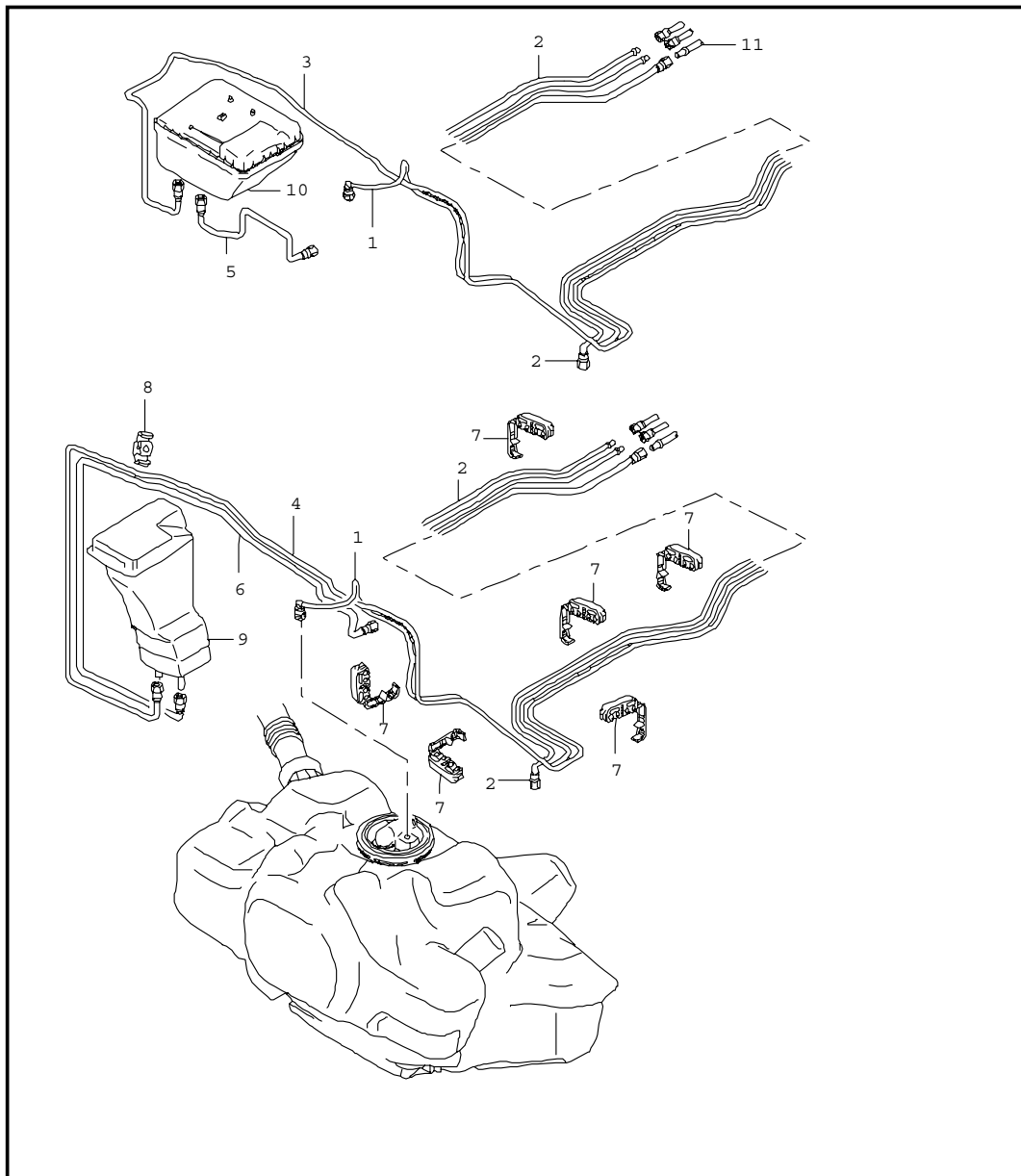


Pos	Part Number	Name	Remarks	Qty	Model
		fuel tank			
1	997 201 021 90	fuel tank	/LL	1	
(1)	997 201 022 01	fuel tank	/RL	1	
2	996 201 623 00	union nut		1	
3	321 919 133	sealing ring		1	
4	997 620 129 00	fuel pump		1	
5	997 620 833 00	tank gauge without flange		1	
6	997 201 421 00	flange for tank gauge		1	
7	N 997 620 116 00	venturi tube		1	
8	N 997 201 331 90	protective plate	/LL	1	
(8)	997 201 331 03	protective plate	/RL	1	
9	997 201 106 00	restraining strap right		1	
10	997 201 105 00	restraining strap left		1	
11	997 201 107 00	restraining strap	/LL	1	
(11)	996 201 108 00	restraining strap	/RL	1	
12	N 900 075 479 01	screw M 8 X 40		4	
13	997 201 043 12	filler neck		1	
14	999 073 348 09	oval-head screw M 6 X 20		1	
15	997 201 951 02	support complete		1	
16	996 201 241 03	fuel tank cap with clip		1	
-	999 507 499 40	expansion rivet		1	
17	191 201 557	gasket		1	
18	996 201 755 00	support washer		1	
19	996 201 753 00	gasket		1	

Model	Year	MG	SG	Illustration	Restrictions	Update	16:27	25.10.2006	PORSCHE	PET	PORSCHE
gt3-2	07	2	01	201-00		207					

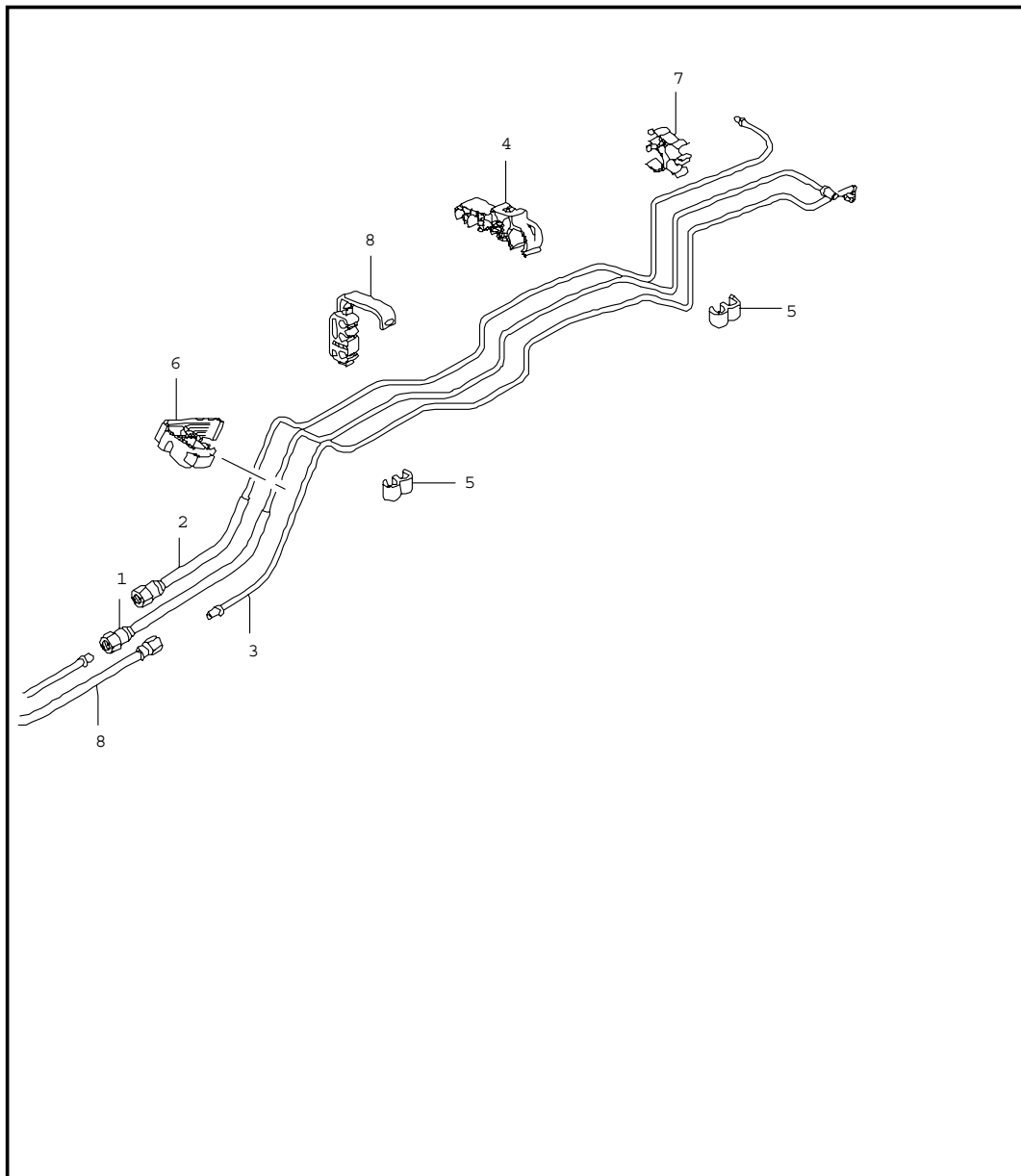
Pos	Part Number	Name	Remarks	Qty	Model	Pos	Part Number	Name	Remarks	Qty	Model
20	997 201 667 00	sleeve		1							
21	996 201 153 00	hose		1							
22	996 201 613 00	vent line		1							
		- - - E N D - - -									

Model	Year	MG	SG	Illustration	Restrictions	Update	16:28	25.10.2006	PORSCHE	PET	PORSCHE
gt3-2	07	2	01	201-05		207					



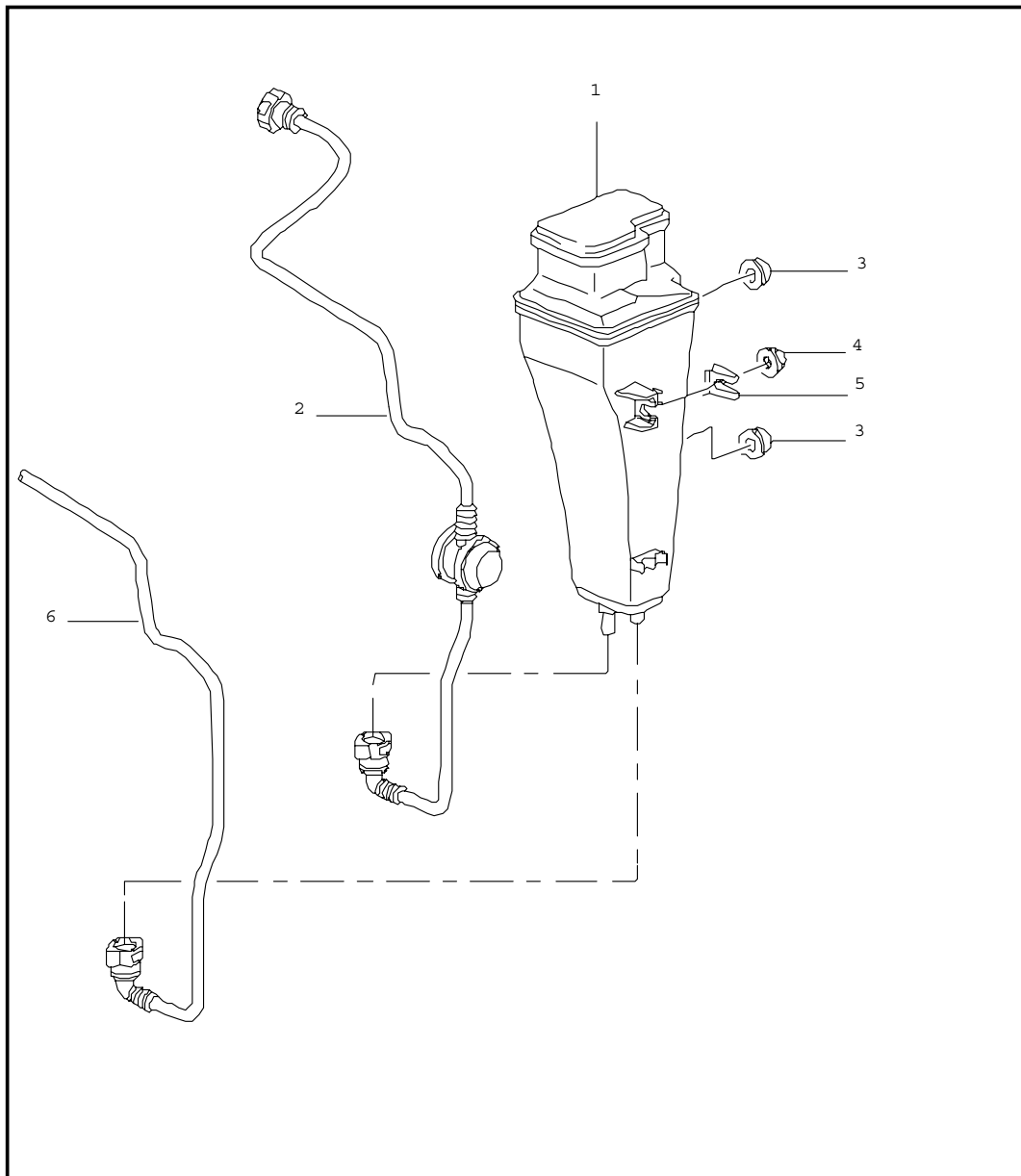
Pos	Part Number	Name	Remarks	Qty	Model
1	997 201 261 03	fuel system front		1	
(2) N	997 201 271 90	fuel line pressure line for engine		1	
4	997 201 351 02	fuel line return to tank		1	
6	997 201 251 01	purge-air line front carbon canister for engine		1	
7	999 507 521 40	vent line front carbon canister for fuel tank		9	
8	999 507 727 40	cable holder 8,0/8/10		3	
-	999 507 488 40	cable holder 5,00/10,0		1	
9	...	carbon canister see illustrations 2/01/20		1	
11	...	lines rear		1	
- - - E N D - - -					

Model	Year	MG	SG	Illustration	Restrictions	Update	16:28	25.10.2006	PORSCHE	PET	PORSCHE
gt3-2	07	2	01	201-10		207					



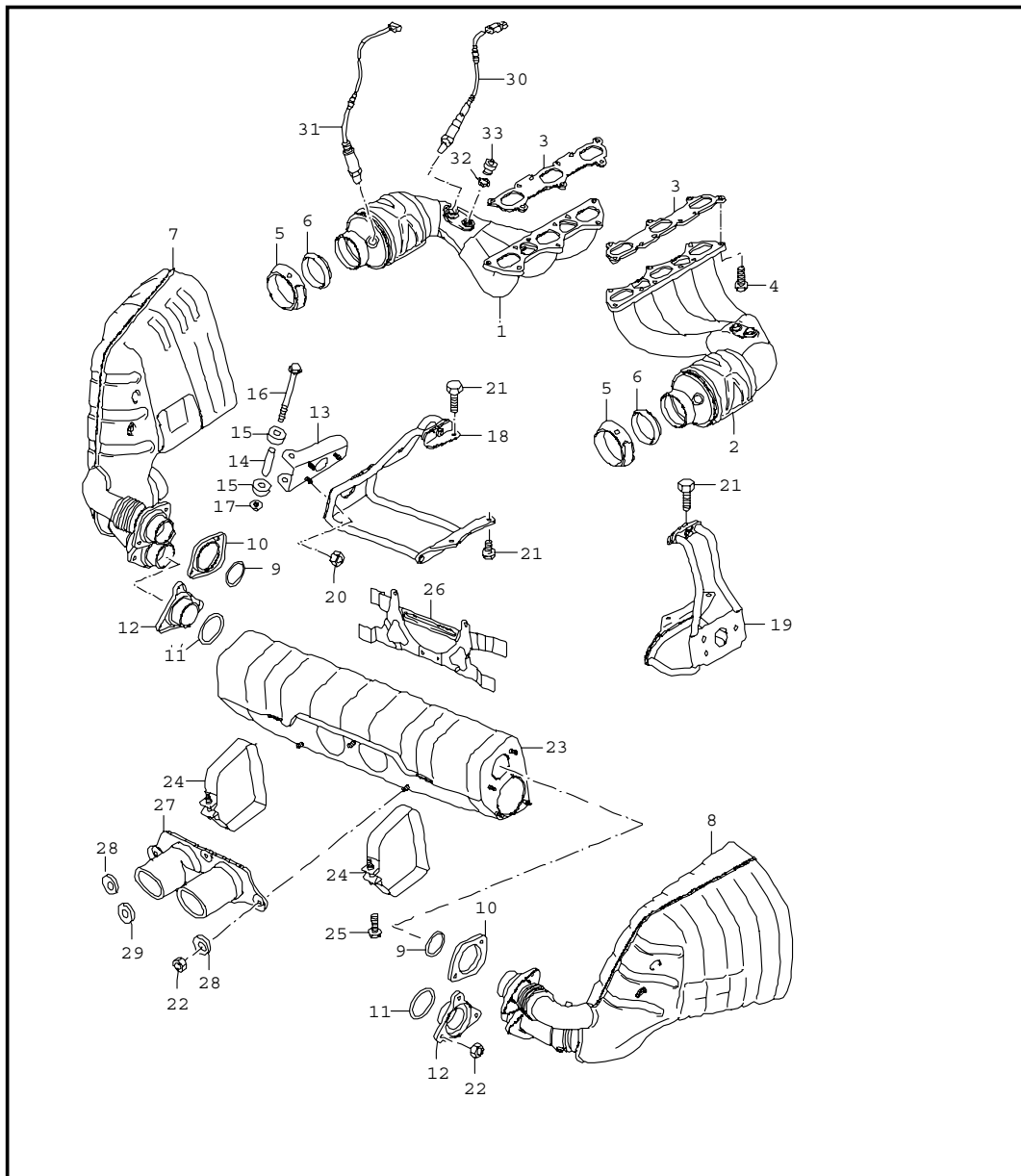
Pos	Part Number	Name	Remarks	Qty	Model
1	N 997 201 265 01	fuel system rear fuel line rear fuel pump for engine		1	
2	N 997 201 275 00	fuel line rear return		1	
3	N 997 201 355 01	air tube rear carbon canister for engine		1	
4	N 999 507 833 40	cable holder 15-8-10-8		1	
(5)	999 507 488 40	cable holder 5,00/10,0		2	
6	999 507 521 40	cable holder 8/8/10		1	
7	N 999 507 850 40	cable holder 8,0-15,0		1	
8	999 507 727 40	cable holder 8/10		1	
9	...	lines front see illustrations 2/01/05		1	
- - - E N D - - -					

Model	Year	MG	SG	Illustration	Restrictions	Update	16:28	25.10.2006	PORSCHE	PET	PORSCHE
gt3-2	07	2	01	201-20		207					



Pos	Part Number	Name	Remarks	Qty	Model
		carbon canister			
1	997 201 221 01	carbon canister complete		1	
2	997 201 251 01	vent line fuel tank for carbon canister		1	
3	999 702 221 40	grommet		2	
4	999 084 629 01	hexagon nut M 6		1	
5	999 507 543 02	clamp 2,00 - 3,00		1	
6	...	purge-air line front see illustrations 2/01/05		1	
		- - - E N D - - -			

Model	Year	MG	SG	Illustration	Restrictions	Update	16:28	25.10.2006	PORSCHE	PET	PORSCHE
gt3-2	07	2	02	202-00		207					

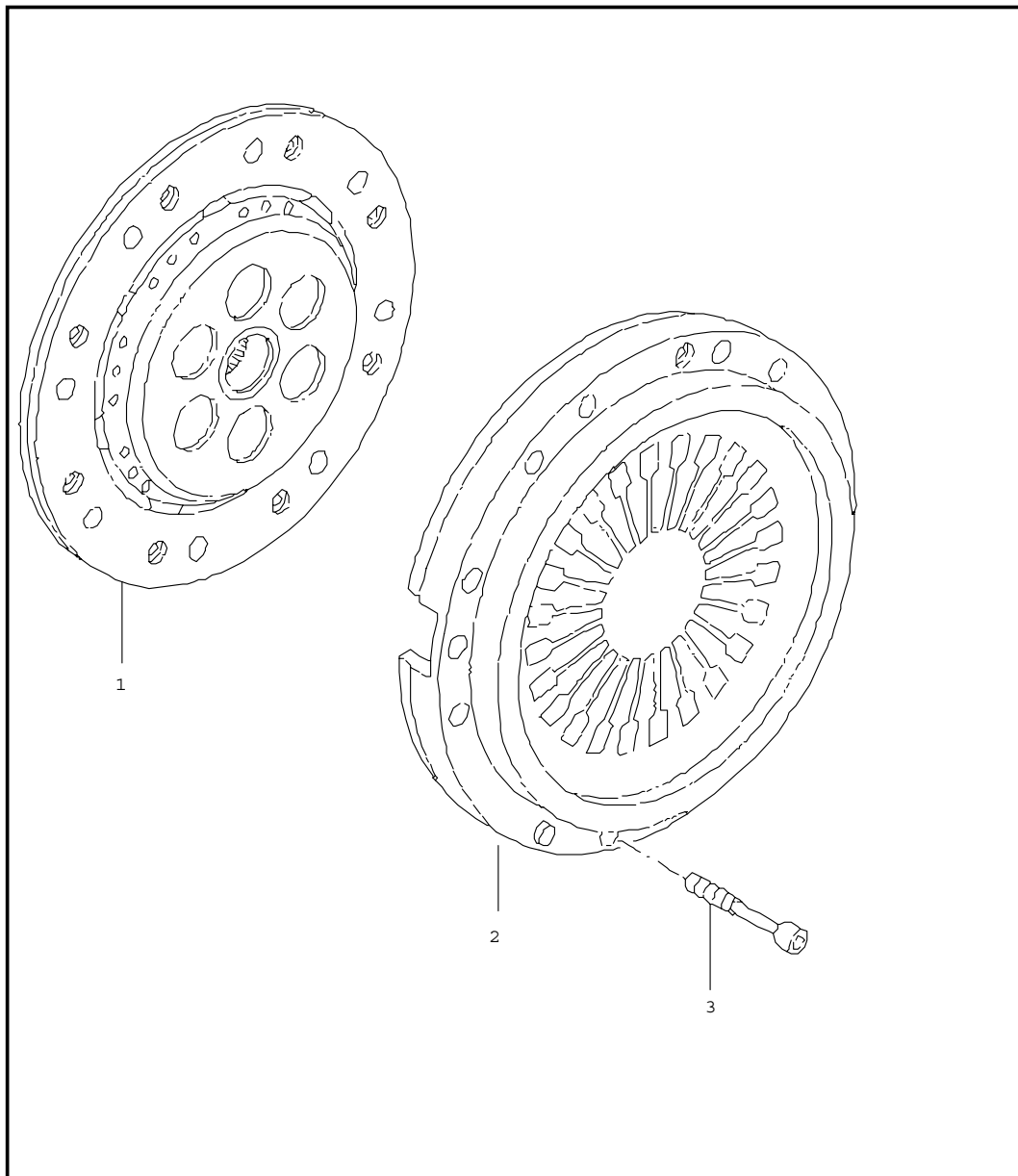


Pos	Part Number	Name	Remarks	Qty	Model
		exhaust system			M97.76
1	997 113 021 91	catalytic converter cyl. 1 - 3		1	
2	997 113 022 91	catalytic converter cyl. 4 - 6		1	
3	996 111 107 71	gasket exhaust manifold		2	
4	900 378 131 00	hexagon-head bolt M 8 X 28		18	
5	N 997 111 336 90	clip		2	
6	980 111 561 00	sealing ring		2	
7	N 997 111 147 90	front muffler cyl. 1 - 3		1	
8	N 997 111 148 90	front muffler cyl. 4 - 6		1	
9	N 997 111 561 90	sealing ring		2	
10	N 997 111 461 90	flange		2	
11	N 997 111 563 90	sealing ring		2	
12	N 997 111 463 90	flange		2	
13	N 997 111 451 90	holder		2	
14	N 997 111 551 90	sleeve		2	
15	996 111 229 00	damping piece		4	
16	900 385 102 01	torx screw M 8 X 90		2	
17	900 377 003 01	hexagon nut M 8		2	
18	N 997 111 247 90	support	LI	1	
19	N 997 111 248 90	support	RE	1	
20	900 377 003 01	hexagon nut M 8		6	
21	900 385 001 01	torx screw M 8 X 20		6	
22	N 999 084 649 01	hexagon nut M 8		13	
23	N 997 111 227 90	muffler		1	

Model	Year	MG	SG	Illustration	Restrictions	Update	16:28	25.10.2006	PORSCHE	PET	PORSCHE
gt3-2	07	2	02	202-00		207					

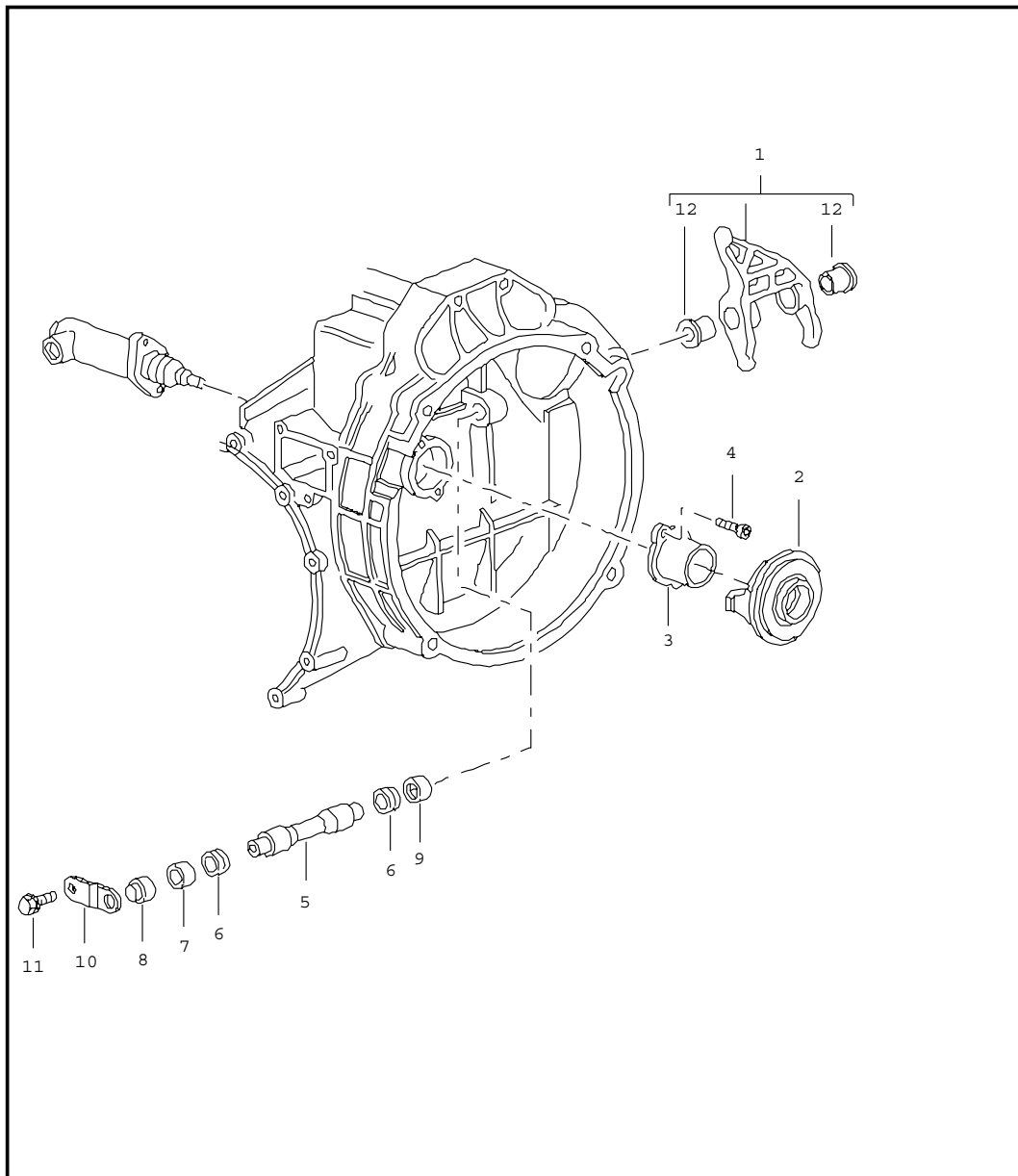
Pos	Part Number	Name	Remarks	Qty	Model	Pos	Part Number	Name	Remarks	Qty	Model
24	997 111 119 70	restraining strap		2							
25	N 900 067 362 01	pan-head screw M 8 X 50		2							
26	996 111 024 71	support		1							
27	997 111 253 90	tail pipe		1							
28	N 997 111 753 91	washer		2							
29	N 997 111 755 91	washer		1							
30	987 606 123 01	oxygen sensor in front of catalytic converter		2							
31	987 606 124 00	oxygen sensor after catalytic converter		2							
32	900 123 050 20	sealing ring 8 X 11,5		2	I 660						
33	900 083 080 00	hexagon-head bolt M 8 X 1		2	I 660						
		- - - E N D - - -									

Model	Year	MG	SG	Illustration	Restrictions	Update	16:29	25.10.2006	PORSCHE	PET	PORSCHE
gt3-2	07	3	01	301-00		207					



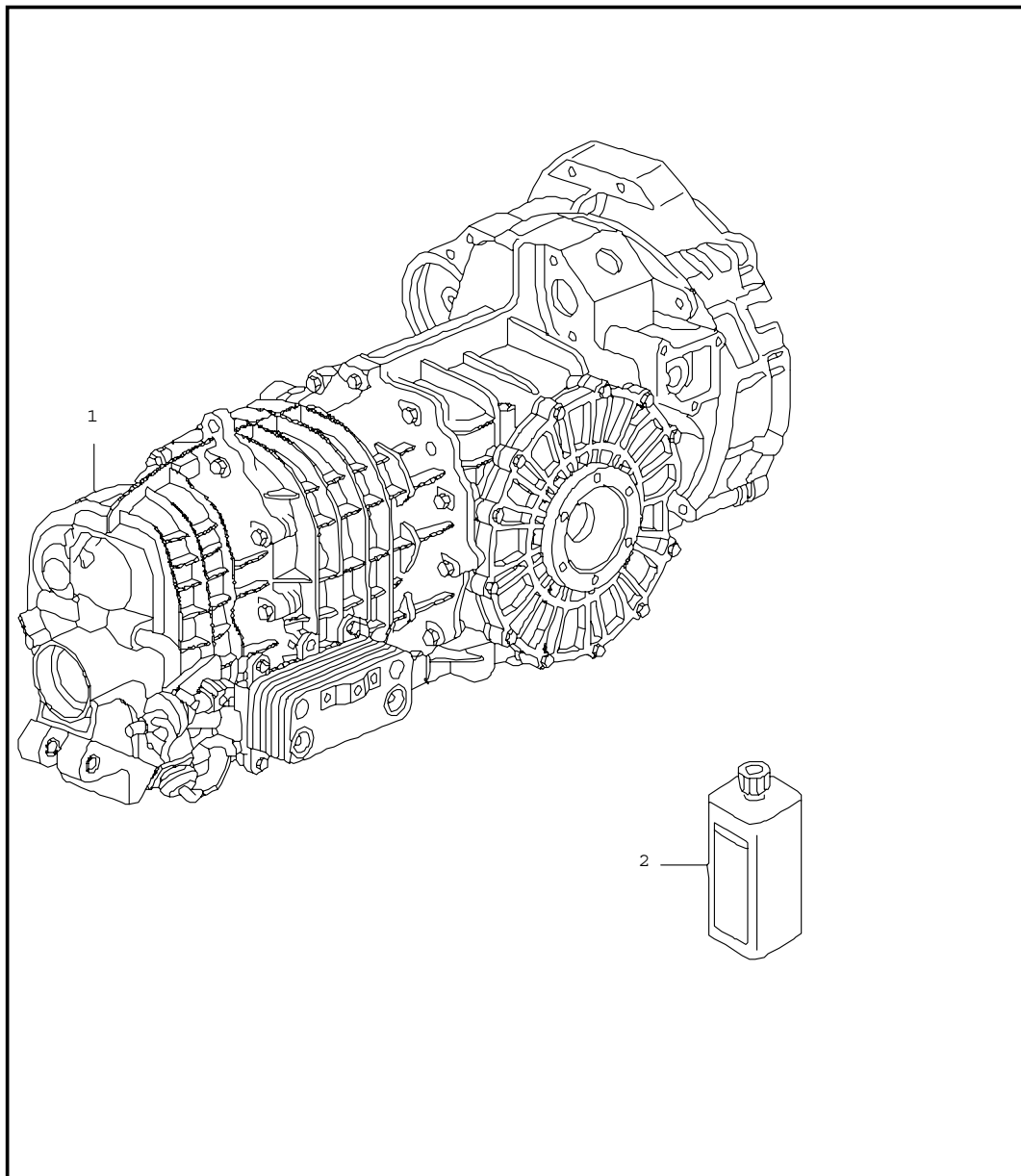
Pos	Part Number	Name	Remarks	Qty	Model
		clutch			M97.76
1	996 116 015 01	clutch plate		1	
2	996 116 027 51	pressure plate		1	
3	999 510 015 02	pan-head screw M 8 X 40		9	
- - - E N D - - -					

Model	Year	MG	SG	Illustration	Restrictions	Update	16:29	25.10.2006	PORSCHE	PET	PORSCHE
gt3-2	07	3	01	301-05		207					



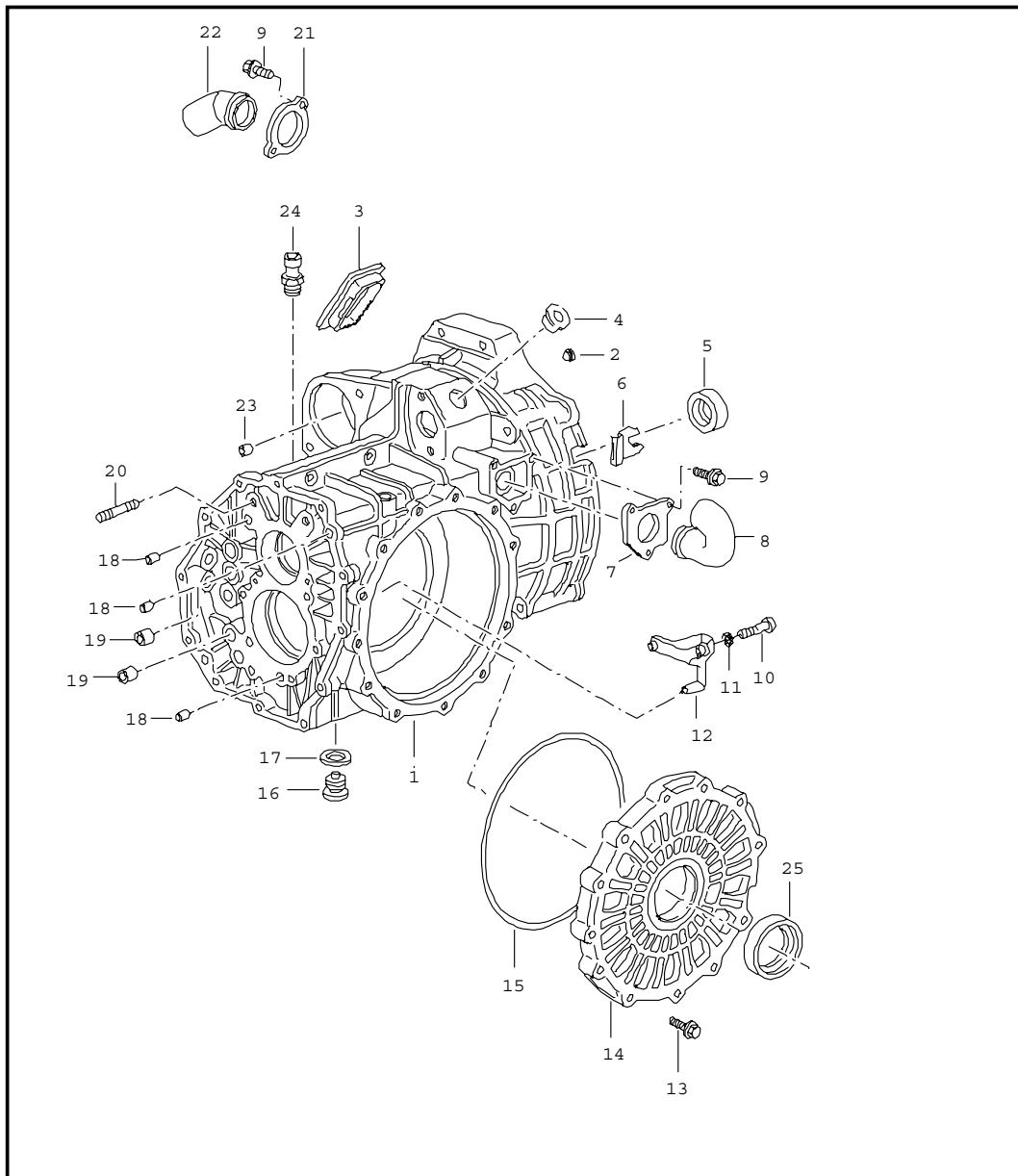
Pos	Part Number	Name	Remarks	Qty	Model
		clutch release			G97.90
		clutch operating cylinder see group 7/02/08			
1	950 116 086 06	release fork		1	
2	950 116 080 08	clutch release bearing		1	
3	950 116 813 06	guide tube		1	
4	900 270 055 02	countersunk-head screw M 6 X 14		2	
5	950 116 710 04	operating shaft		1	
6	999 113 418 40	gasket 13,02 X 16,4		2	
7	999 201 339 00	bush		1	
8	950 116 725 00	cover		1	
9	999 201 365 00	bush		1	
9	900 623 007 00	hexagon socket head bolt M 6 X 12		1	
10	950 116 713 02	retaining bracket		1	
11	900 075 057 02	hexagon-head bolt M 6 X 16		1	
		- - - E N D - - -			

Model	Year	MG	SG	Illustration	Restrictions	Update	16:29	25.10.2006	PORSCHE	PET	PORSCHE
gt3-2	07	3	02	302-00		207					



Pos	Part Number	Name	Remarks	Qty	Model
		replacement transmission ready for installation			G97.90
1	997 300 020 90	manual transmission with limited-slip differential		1	G97.90
3	000 043 204 20	transmission oil MOBILUBE PTX 75 W 90 GEBINDE 20 LTR.		X	
- - - E N D - - -					

Model	Year	MG	SG	Illustration	Restrictions	Update	16:29	25.10.2006	PORSCHE	PET	PORSCHE
gt3-2	07	3	02	302-05		207					



Pos	Part Number	Name	Remarks	Qty	Model
		transmission case front			G97.90
1	996 301 101 88	transmission case		1	G97.90
2	999 036 002 40	cover A 14		1	
3	950 301 151 01	cap		1	
4	999 703 490 40	cover 30 X 42		1	
5	999 113 326 41	shaft seal 26,5 X 40		1	
6	993 116 630 00	cap		1	
7	996 116 612 00	flange		1	
8	993 116 610 00	intake manifold		1	
9	900 378 035 09	hexagon-head bolt M 6 X 16		5	
10	900 067 005 02	screw M 5 X 30		2	
11	900 025 003 02	washer A 5,3		2	
12	964 307 107 00	funnel		1	
13	996 301 317 00	hexagon-head bolt M 8 X 35		12	
14	996 301 312 50	transmission cover		1	
15	999 707 328 40	o-ring 205 X 3,5		1	
16	999 063 008 02	screw plug with magnet M 22 X 1,5		1	
17	900 123 118 30	sealing ring A 22 X 27		1	
18	900 012 144 00	straight pin 12 M 6 X 14		4	
19	996 303 513 00	bush 15 X 21 X 22		4	
20	900 081 042 02	stud BM 8 X 42		1	
21	996 116 710 00	flange socket		1	

Model	Year	MG	SG	Illustration	Restrictions	Update	16:29	25.10.2006	PORSCHE	PET	PORSCHE
gt3-2	07	3	02	302-05		207					

Pos	Part Number	Name	Remarks	Qty	Model	Pos	Part Number	Name	Remarks	Qty	Model
22	993 116 610 00	intake manifold		1							
23	999 531 017 10	bush 12,1 X 14		1							
24	996 301 071 00	bleeder 17 X 12 X 28,1		1							
25	999 113 347 40	shaft seal 48 X 68 X 10		2							
--	996 449 101 50	hook		2							
--	999 073 190 09	oval-head screw M 8 X 60		2							
		- - - E N D - - -									

PORSCHE

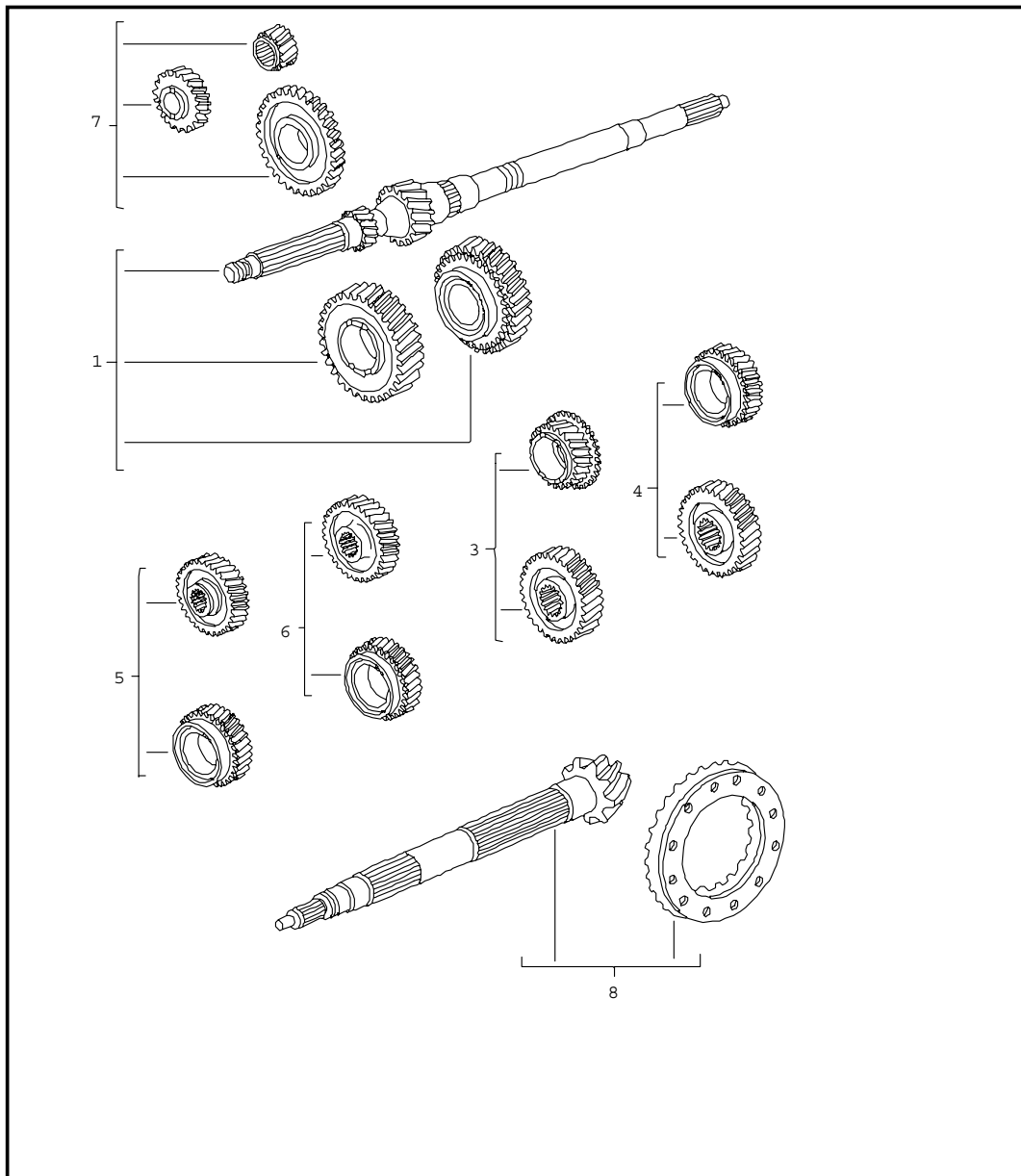
PET

PORSCHE

Model	Year	MG	SG	Illustration	Restrictions	Update		
gt3-2	07	3	02	302-06		207	16:29	25.10.2006

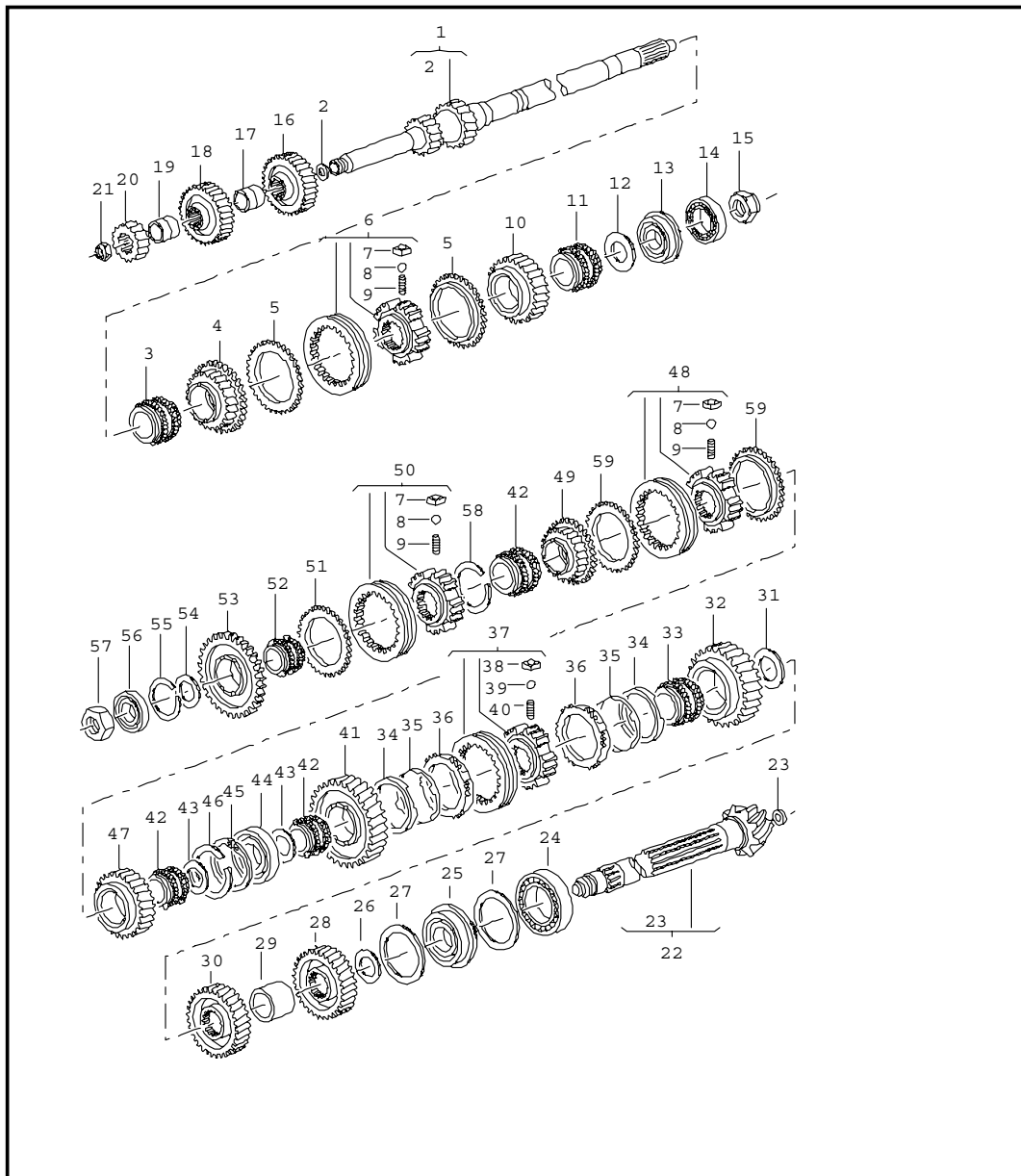
Pos	Part Number	Name	Remarks	Qty	Model
1	K 996 301 102 51	gear housing transmission cover gear housing - - - E N D - - -		1	G97.90 G97.90

Model	Year	MG	SG	Illustration	Restrictions	Update	16:30	25.10.2006	PORSCHE	PET	PORSCHE
gt3-2	07	3	03	303-00		207					



Pos	Part Number	Name	Remarks	Qty	Model
		gear sets			G97.90
1	997 302 901 90	gear set 1st/2nd gear 1st gear Z = 42 : 11 2nd gear Z = 43 : 19		1	
3	997 302 953 90	gear set 3rd speed Z = 41 : 25		1	
4	997 302 954 90	gear set 4th speed Z = 40 : 31		1	
5	997 302 955 90	gear set 5th speed Z = 34 : 32		1	
6	997 302 956 90	gear set 6th gear Z = 36 : 41		1	
7	996 302 907 50	gear set reverse gear		1	
8	996 302 911 71	ring gear and pinion shaft 31 : 9		1	
		- - - E N D - - -			

Model	Year	MG	SG	Illustration	Restrictions	Update	16:30	25.10.2006	PORSCHE	PET	PORSCHE
gt3-2	07	3	03	303-10		207					



Pos	Part Number	Name	Remarks	Qty	Model
		gears and shafts			G97.90
		gear sets see group 3/03/00			
1	---	drive shaft		1	
2	964 302 335 02	washer 7 MM		1	
3	999 201 442 00	needle-roller bearing 42 X 47 X 32		1	
4	---	loose gear wheel 3rd speed		1	
5	928 304 211 23	synchroniser ring		4	
6	996 304 021 51	guide sleeve 3rd, 4th speed		1	
7	928 304 251 00	stone		9	
8	N 025 653 2	ball 6,5 MM		9	
9	928 304 261 01	compression spring		9	
10	---	loose gear wheel 4th speed		1	
11	999 201 437 06	needle-roller bearing 35 X 47 X 32,2		1	
12	996 302 294 50	thrust washer 4th speed		1	
13	999 052 094 00	four-point bearing 30 X 62 X 16		1	
14	999 110 117 01	cylindrical-roller bearing 30 X 62 X 16		1	
15	999 034 033 00	hexagon nut M 30 X 1,5		1	
16	---	fixed gear wheel 6th gear		1	
17	950 302 268 12	spacer sleeve 5th speed and 6th gear		1	
18	---	fixed gear wheel 5th speed			

Model	Year	MG	SG	Illustration	Restrictions	Update	16:30	25.10.2006	PORSCHE	PET	PORSCHE
gt3-2	07	3	03	303-10		207					

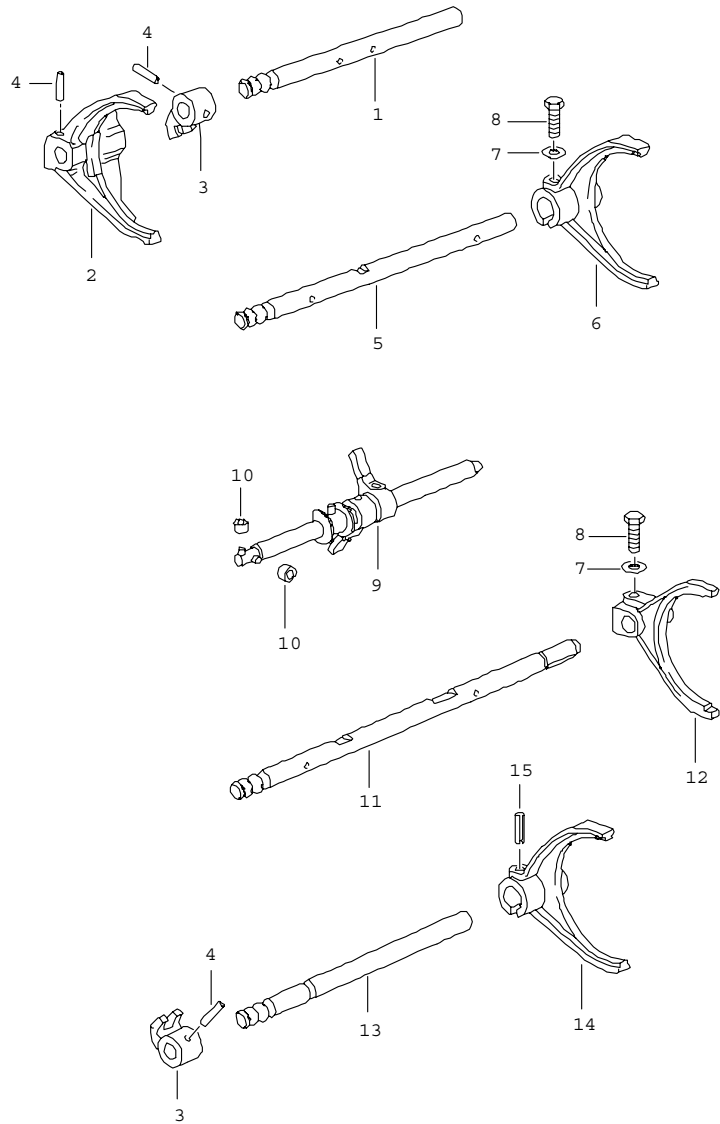
Pos	Part Number	Name	Remarks	Qty	Model	Pos	Part Number	Name	Remarks	Qty	Model
19	950 302 270 02	spacer sleeve		1		26	996 302 163 63	shim 90 X 97 X 1,15		X	
20	---	fixed gear wheel reverse gear		1		26	996 302 163 64	shim 90 X 97 X 1,20		X	
21	999 034 035 00	lock nut M 22 X 1,5		1		26	996 302 163 65	shim 90 X 97 X 1,25		X	
22	---	pinion shaft		1		26	996 302 163 66	shim 90 X 97 X 1,30		X	
23	964 302 335 01	washer 14,5		1		26	996 302 163 67	shim 90 X 97 X 1,35		X	
24	999 110 119 01	cylindrical-roller bearing 40 X 90 X 23		1		26	996 302 163 68	shim 90 X 97 X 1,40		X	
25	999 052 164 00	four-point bearing 40 X 82 X 18		1		26	996 302 163 69	shim 90 X 97 X 1,45		X	
26	996 302 163 50	shim 90 X 97 X 0,50		X		26	996 302 163 70	shim 90 X 97 X 1,50		X	
26	996 302 163 51	shim 90 X 97 X 0,55		X		26	996 302 163 71	shim 90 X 97 X 1,55		X	
26	996 302 163 52	shim 90 X 97 X 0,60		X		26	996 302 163 72	shim 90 X 97 X 1,60		X	
26	996 302 163 53	shim 90 X 97 X 0,65		X		27	996 302 151 50	shim 40 X 50 X 0,40		X	
26	996 302 163 54	shim 90 X 97 X 0,70		X		27	996 302 151 51	shim 40 X 50 X 0,45		X	
26	996 302 163 55	shim 90 X 97 X 0,75		X		27	996 302 151 52	shim 40 X 50 X 0,50		X	
26	996 302 163 56	shim 90 X 97 X 0,80		X		27	996 302 151 53	shim 40 X 50 X 0,55		X	
26	996 302 163 57	shim 90 X 97 X 0,85		X		27	996 302 151 54	shim 40 X 50 X 0,60		X	
26	996 302 163 58	shim 90 X 97 X 0,90		X		27	996 302 151 55	shim 40 X 50 X 0,65		X	
26	996 302 163 59	shim 90 X 97 X 0,95		X		27	996 302 151 56	shim 40 X 50 X 0,70		X	
26	996 302 163 60	shim 90 X 97 X 1,00		X		27	996 302 151 57	shim 40 X 50 X 0,80		X	
26	996 302 163 61	shim 90 X 97 X 1,05		X		27	996 302 151 58	shim 40 X 50 X 0,90		X	
26	996 302 163 62	shim 90 X 97 X 1,10		X							

Model	Year	MG	SG	Illustration	Restrictions	Update	16:30	25.10.2006	PORSCHE	PET	PORSCHE
gt3-2	07	3	03	303-10		207					

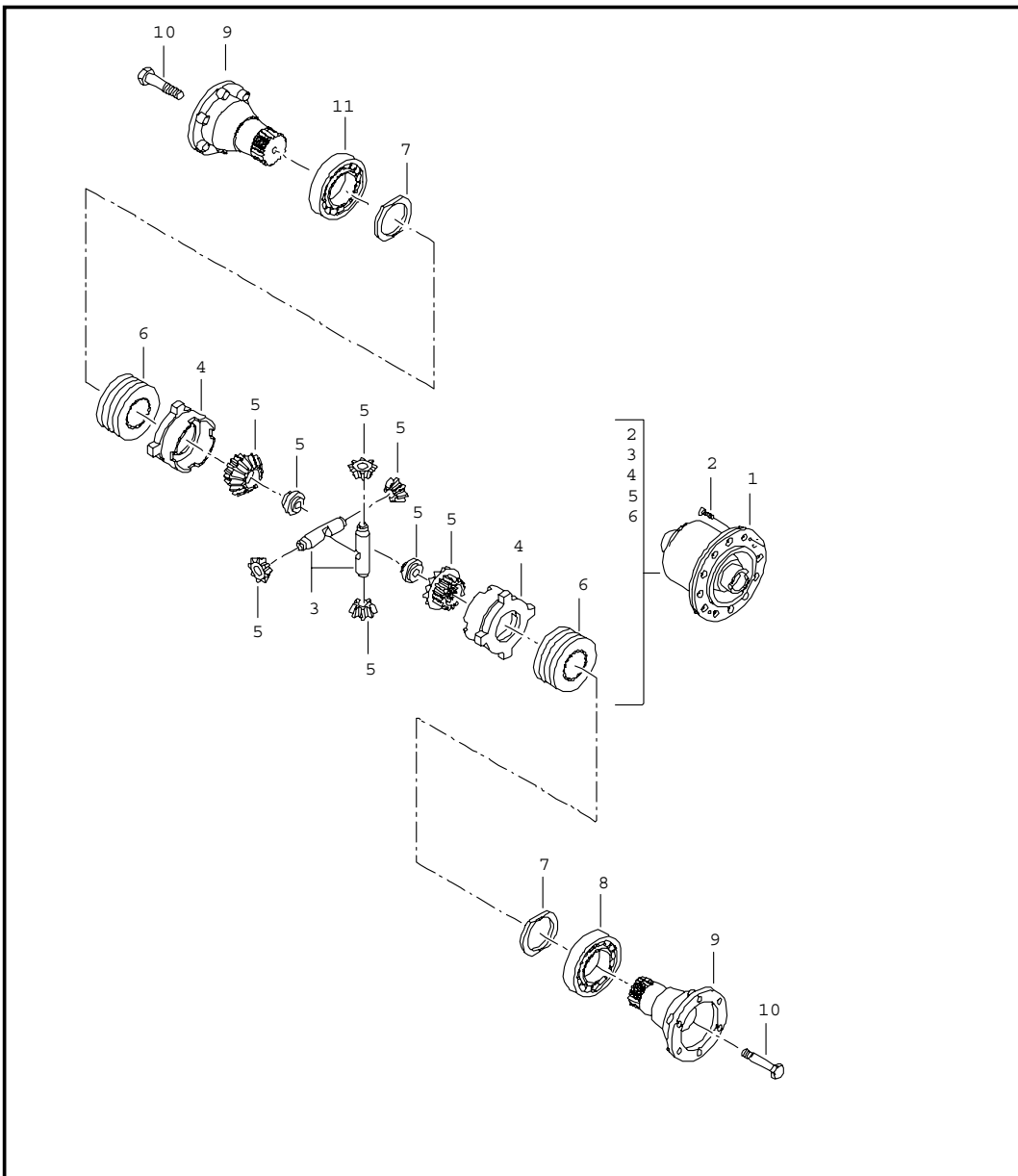
Pos	Part Number	Name	Remarks	Qty	Model	Pos	Part Number	Name	Remarks	Qty	Model
27	996 302 151 59	shim 40 X 50 X 1,00		X		44	999 110 109 01	cylindrical-roller bearing 35 X 80 X 18		1	
27	996 302 151 60	shim 40 X 50 X 1,10		X		45	999 152 106 00	snap ring		1	
27	996 302 151 61	shim 40 X 50 X 1,20		X		46	N 100 709 01	snap ring SP 80		1	
27	996 302 151 62	shim 40 X 50 X 1,30		X		47	---	loose gear wheel 6th gear		1	
27	996 302 151 63	shim 40 X 50 X 0,75		X		48	950 304 021 23	guide sleeve 5th speed and 6th gear		1	
28	---	fixed gear wheel 4th speed		1		49	---	loose gear wheel 5th speed		1	
29	950 302 267 02	spacer sleeve		1		50	996 304 021 50	guide sleeve reverse gear		1	
30	---	fixed gear wheel 3rd speed		1		51	928 304 211 24	synchroniser ring reverse gear		1	
31	950 302 292 00	thrust washer 2nd gear		1		52	999 201 253 00	needle cage 32 X 45 X 27,2		1	
32	---	loose gear wheel 2nd gear		1		53	---	loose gear wheel reverse gear		1	
33	999 201 225 04	needle-roller bearing 39,68 X 50		1		54	950 302 296 07	thrust washer reverse gear		1	
34	950 304 617 20	ring		2		55	999 152 024 01	snap ring 62 X 1,50		1	
35	996 304 613 20	cone ring		2		56	999 110 192 00	cylindrical-roller bearing 30 X 62 X 16		1	
36	950 304 611 20	synchroniser ring		2		57	999 034 034 00	hexagon nut M 30 X 1,25		1	
37	996 304 061 50	guide sleeve 1st/2nd gear		1		58	999 152 111 00	snap ring 78 X 1,50		1	
38	950 304 651 00	stone		3				- - - E N D - - -			
39	900 108 058 00	ball 5 MM		3							
40	950 304 661 03	compression spring		3							
41	---	loose gear wheel 1st gear		1							
42	999 201 239 06	needle-roller bearing 35 X 50 X 32,2		3							
43	950 302 295 07	thrust washer 1st gear and 6th gear		2							

Model	Year	MG	SG	Illustration	Restrictions	Update	16:30	25.10.2006	PORSCHE	PET	PORSCHE
gt3-2	07	3	04	304-00		207					

Pos	Part Number	Name	Remarks	Qty	Model
		gear shift rod shift fork shift rod			G97.90
1	996 303 103 52	gear shift rod 3rd, 4th speed		1	
2	996 303 113 51	shift fork 3rd, 4th speed		1	
3	996 303 121 50	driver		2	
4	996 303 301 00	spiral clamping pin		3	
5	996 303 106 51	gear shift rod 5th speed and 6th gear		1	
6	996 303 116 50	shift fork 5th speed and 6th gear		1	
7	900 025 007 02	washer A 8,4		2	
8	900 075 099 02	hexagon-head bolt M 8 X 30		2	
9	996 303 021 52	shift rod		1	
10	996 303 403 00	roller 10 X 5 X 3		4	
11	996 303 105 52	gear shift rod reverse gear		1	
12	996 303 115 50	shift fork reverse gear		1	
13	996 303 101 51	gear shift rod 1st/2nd gear		1	
14	996 303 111 51	shift fork 1st/2nd gear		1	
15	900 095 017 01	roll pin 5,0 X 24		2	
		- - - E N D - - -			

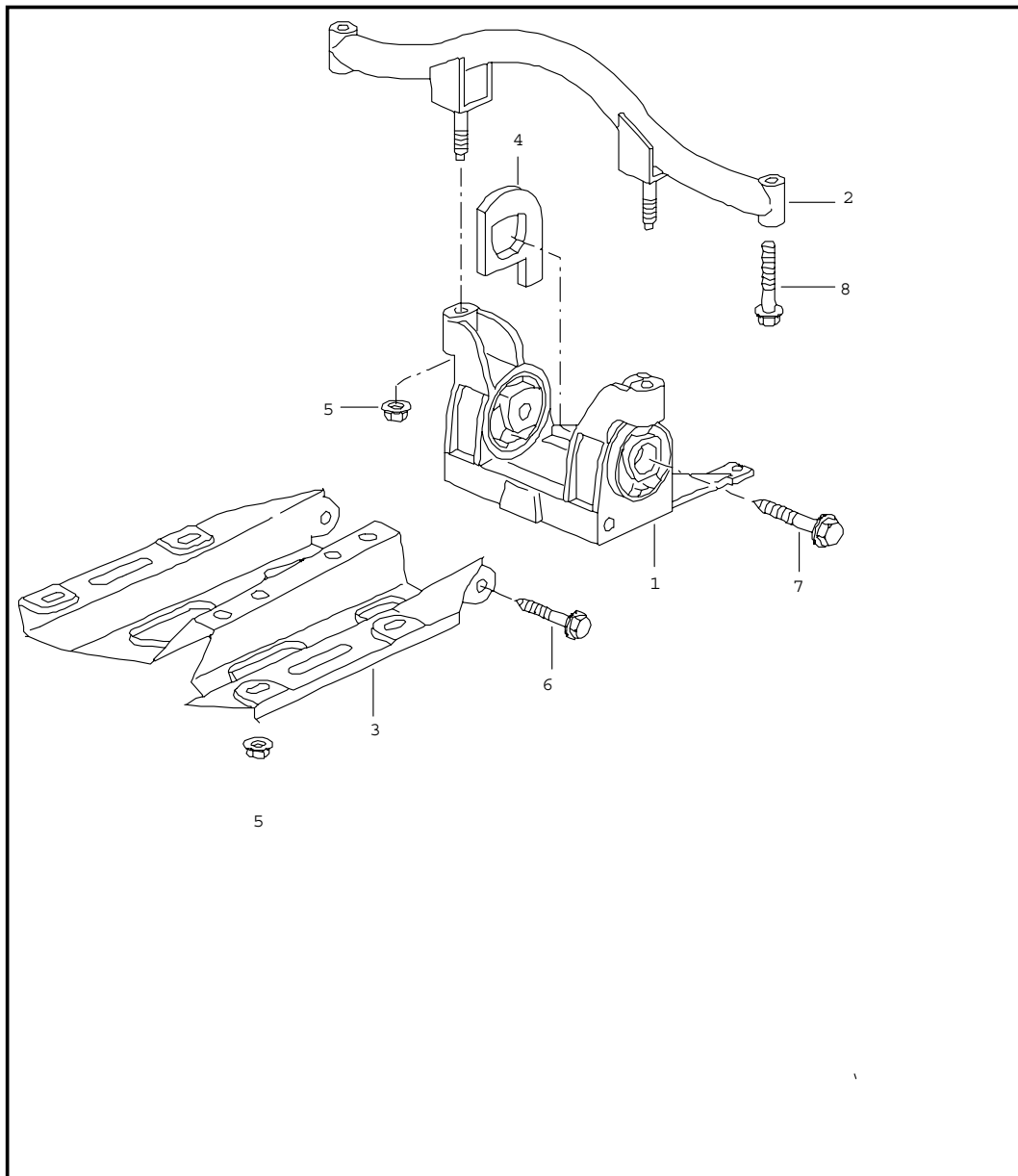


Model	Year	MG	SG	Illustration	Restrictions	Update	16:30	25.10.2006	PORSCHE	PET	PORSCHE
gt3-2	07	3	05	305-05		207					



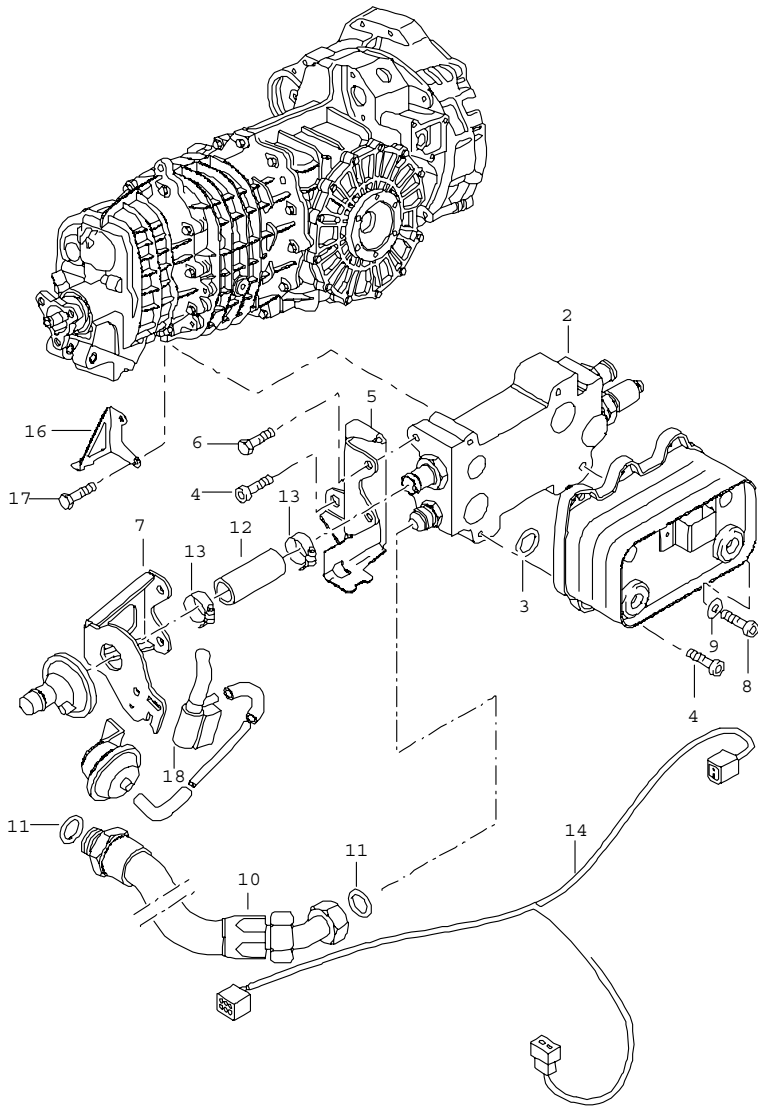
Pos	Part Number	Name	Remarks	Qty	Model
		limited-slip differential complete and repair kits			G97.90
1	997 332 083 91	limited-slip differential 28/40 % FA. GKN		1	
2	950 332 983 03	countersunk-head screw set FA.GKN		1	
- - - E N D - - -					

Model	Year	MG	SG	Illustration	Restrictions	Update	16:31	25.10.2006	PORSCHE	PET	PORSCHE
gt3-2	07	3	06	306-00		207					



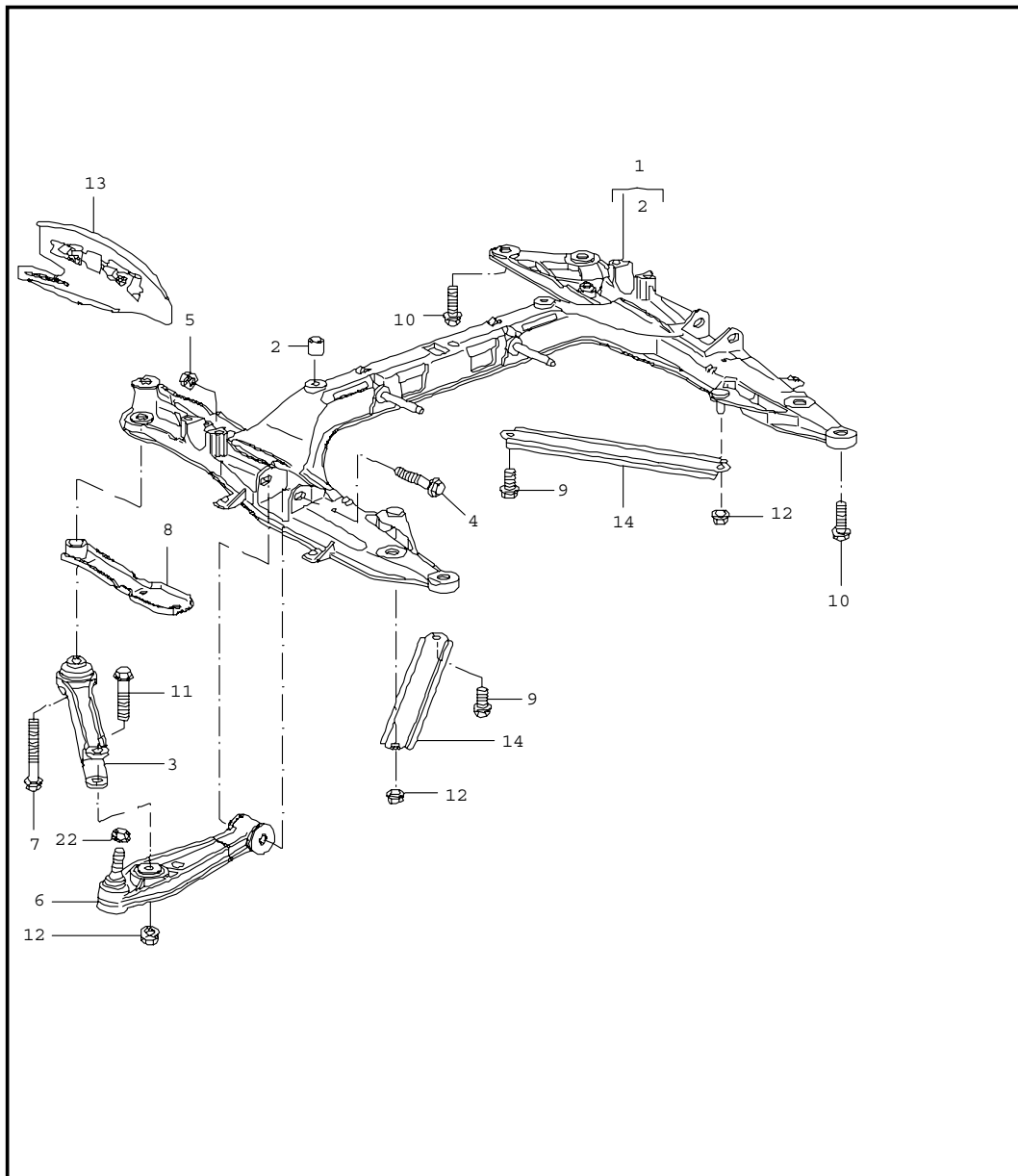
Pos	Part Number	Name	Remarks	Qty	Model
		transmission suspension			G97.90
1	997 375 033 03	transmission carrier		1	
2	996 375 317 06	bracket upper		1	
3	996 375 015 00	side member		1	
4	996 375 259 08	stop		2	
5	900 378 167 09	hexagon-head bolt M 10 X 110		2	
5	999 061 106 09	stud M 10 X 83		2	
6	900 380 008 09	hexagon nut M 10		2	
(6A)	999 076 053 09	hexagon nut M 10		6	
7	999 072 010 09	hexagon-head bolt M 12 X 1,5 X 100		2	
8	999 072 008 09	hexagon-head bolt M 12 X 1,5 X 70		3	
9	900 378 061 09	hexagon-head bolt M 12 X 1,5 X 50		1	
10	900 378 076 09	hexagon-head bolt M 10 X 50		1	
11	900 377 011 09	hexagon nut M 10		1	
- - - E N D - - -					

Model	Year	MG	SG	Illustration	Restrictions	Update	16:31	25.10.2006	PORSCHE	PET	PORSCHE
gt3-2	07	3	07	307-00		207					



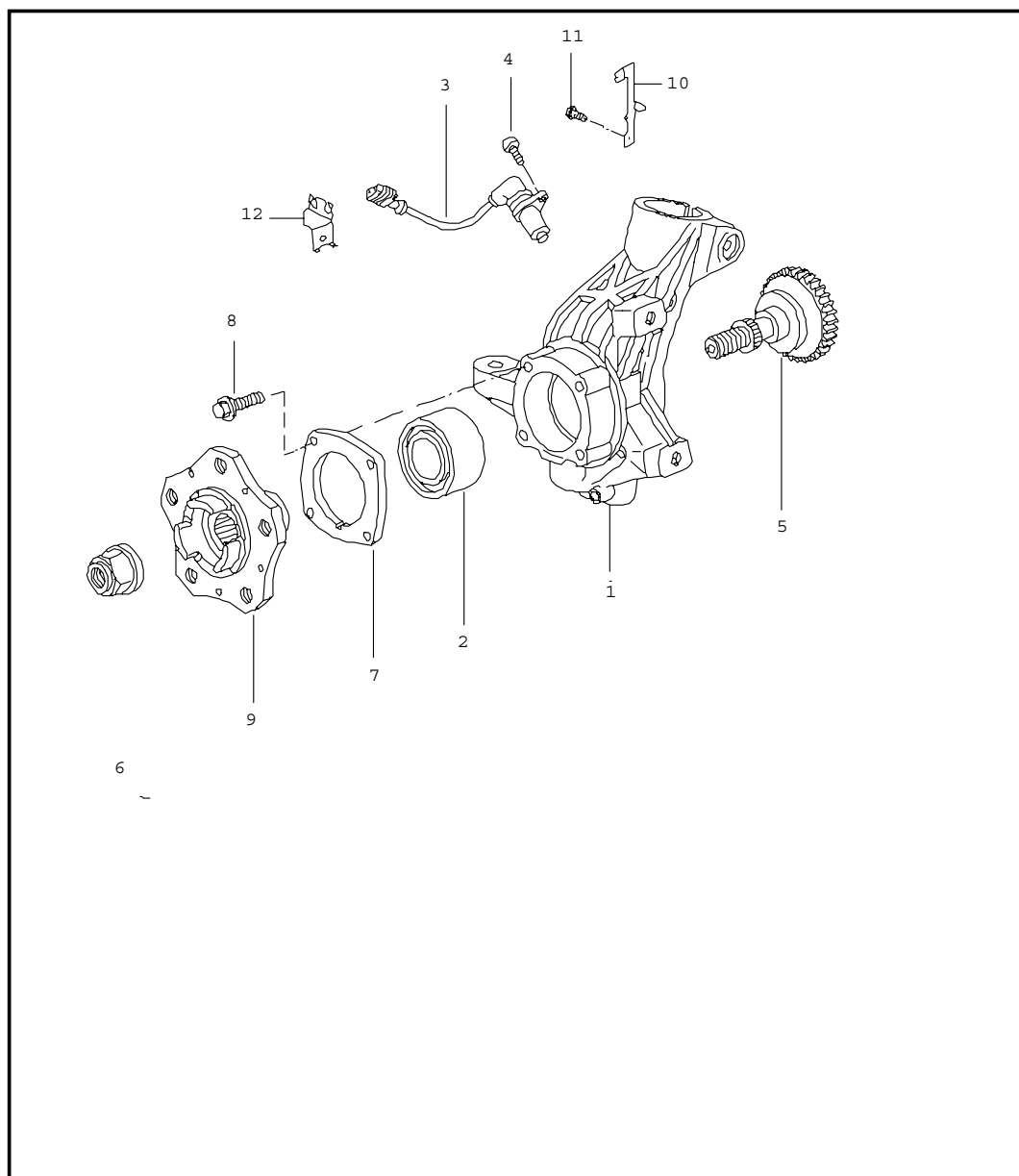
Pos	Part Number	Name	Remarks	Qty	Model
		transmission oil cooler lines			G97.90
1	K 996 307 015 8A	transmission oil cooler		1	
2	K 996 307 020 8A	port plate		1	
3	900 331 021 40	o-ring		4	
4	999 073 103 09	oval-head screw M 6 X 16		5	
5	K 996 307 141 88	support		1	
6	900 378 017 09	hexagon-head bolt M 8 X 20		2	
7	K 996 307 145 88	support		1	
8	900 186 030 02	pan-head screw M 6 X 55		1	
9	N 011 524 7	washer A 6,4		1	
10	996 307 333 88	oil hose		1	
11	900 123 152 30	sealing ring A 16 X 22		2	
12	900 181 067 50	water hose B18 X 3,5 X47		1	
13	999 512 552 00	hose clamp A 20-32 / 9		2	
14	996 612 401 70	wiring harness		1	
15	811 971 848 B	cable terminal		3	
16	996 106 536 72	support		1	
17	900 378 074 09	hexagon-head bolt M 8 X 16		2	
18	996 605 123 01	change-over valve		1	
--	997 307 023 90	oil pump		1	
--	997 106 889 92	water hose return		1	
- - - E N D - - -					

Model	Year	MG	SG	Illustration	Restrictions	Update	16:31	25.10.2006	PORSCHE	PET	PORSCHE
gt3-2	07	4	01	401-00		207					



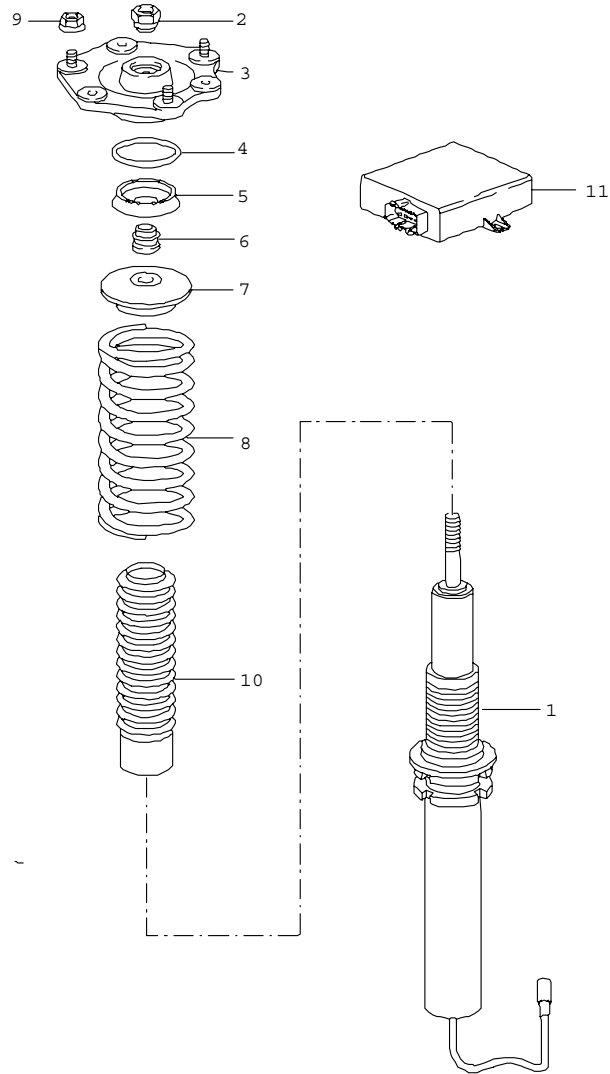
Pos	Part Number	Name	Remarks	Qty	Model
		cross member			
		control arm			
1	997 341 081 06	cross member		1	
2	900 197 070 00	roll pin 13 X 14		1	
3	996 341 043 06	control arm		2	
4	900 378 165 09	hexagon-head bolt M 12 X 1,5 X 95		2	
5	999 084 445 09	lock nut M 12 X 1,5		2	
6	997 341 041 94	control arm	/L	1	
(6)	997 341 042 94	control arm	/R	1	
7	999 072 050 09	hexagon-head bolt M 14 X 1,5 X 120		2	
8	997 341 145 05	plate		2	
9	999 072 047 09	hexagon-head bolt M 12 X 1,5 X 30		4	
10	900 378 192 09	hexagon-head bolt M 14 X 1,5 X 50		2	
11	900 378 279 09	hexagon-head bolt M 14 X 1,5 X 95		2	
12	999 084 445 09	lock nut M 12 X 1,5		2	
13	K 997 341 483 92	spoiler	/L	1	
(13)	K 997 341 484 92	spoiler	/R	1	
14	997 504 433 00	strut		2	
22	999 084 449 09	hexagon nut M 12 X 1,5		2	
		- - - E N D - - -			

Model	Year	MG	SG	Illustration	Restrictions	Update	16:31	25.10.2006	PORSCHE	PET	PORSCHE
gt3-2	07	4	01	401-05		207					



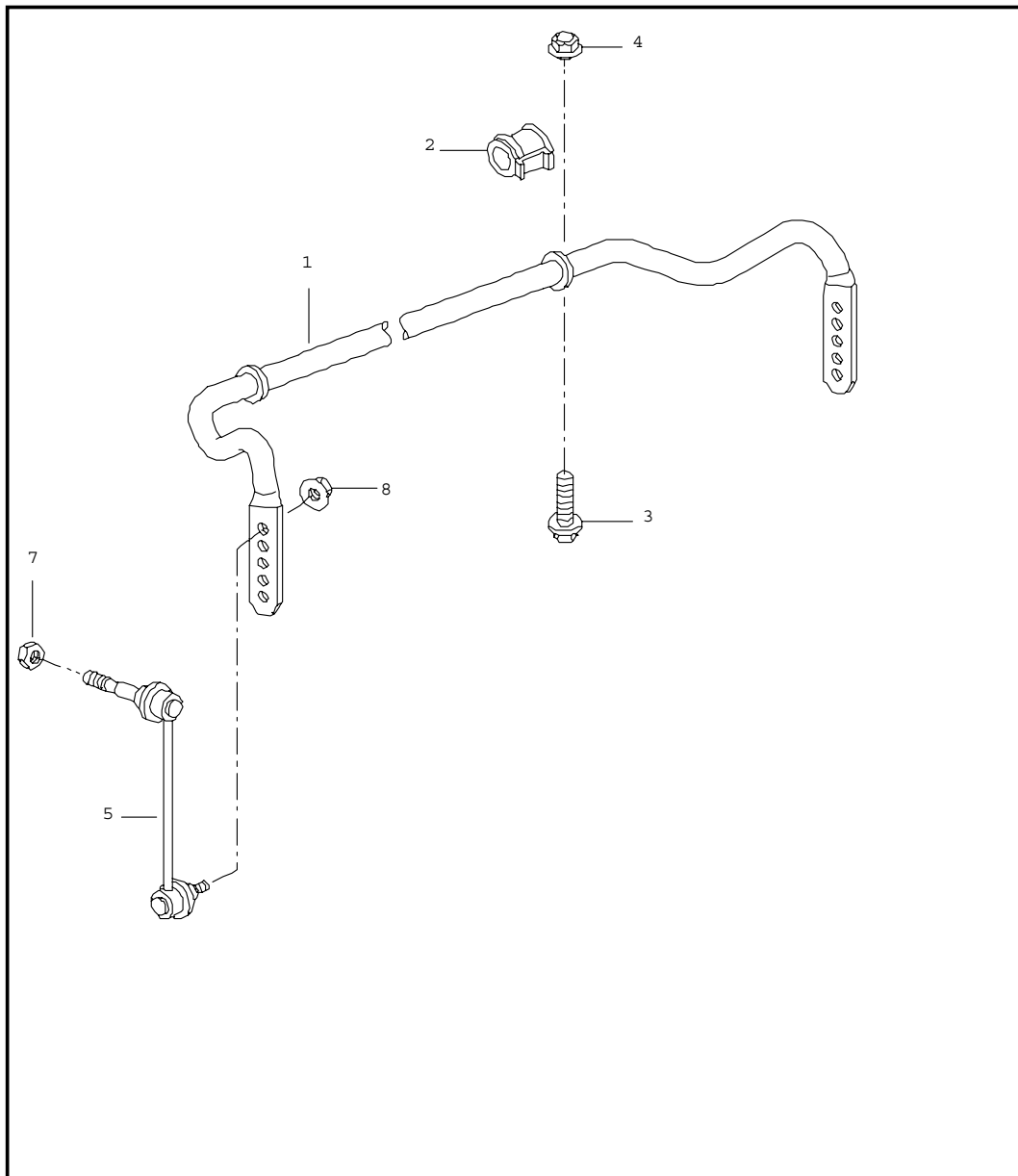
Pos	Part Number	Name	Remarks	Qty	Model
		wheel carrier wheel hub			
1	997 341 157 93	wheel carrier	/L	1	
(1)	997 341 157 94	wheel carrier	/L	1	I450
(1)	997 341 158 93	wheel carrier	/R	1	
(1)	997 341 158 94	wheel carrier	/R	1	I450
2	999 053 054 05	angular-contact bearing		2	
3	997 606 407 01	speed sensor		2	
-	996 606 235 91	heat protection for speed sensor	/L	1	
-	996 606 236 91	heat protection for speed sensor	/R	1	
4	900 067 117 09	pan-head screw M 6 X 16		2	
5	996 341 131 04	tension bolt		2	
6	999 084 634 02	hexagon nut M 22 X 1,5		2	
7	996 341 661 90	cover		2	
8	999 217 042 09	hexagon-head bolt M 8 X 35		8	
9	997 341 605 01	wheel hub		2	
10	997 351 801 90	support	/L	1	
(10)	997 351 802 90	support	/R	1	
		mount cable holder			
-	900 378 202 01	hexagon-head bolt m 10 x 20		2	
11	999 217 116 09	hexagon-head bolt m 6 x 16		6	
12	997 341 321 90	support	/L	1	
(12)	997 341 322 90	support	/R	1	
		- - - E N D - - -			

Model	Year	MG	SG	Illustration	Restrictions	Update	16:31	25.10.2006	PORSCHE	PET	PORSCHE
gt3-2	07	4	02	402-00		207					



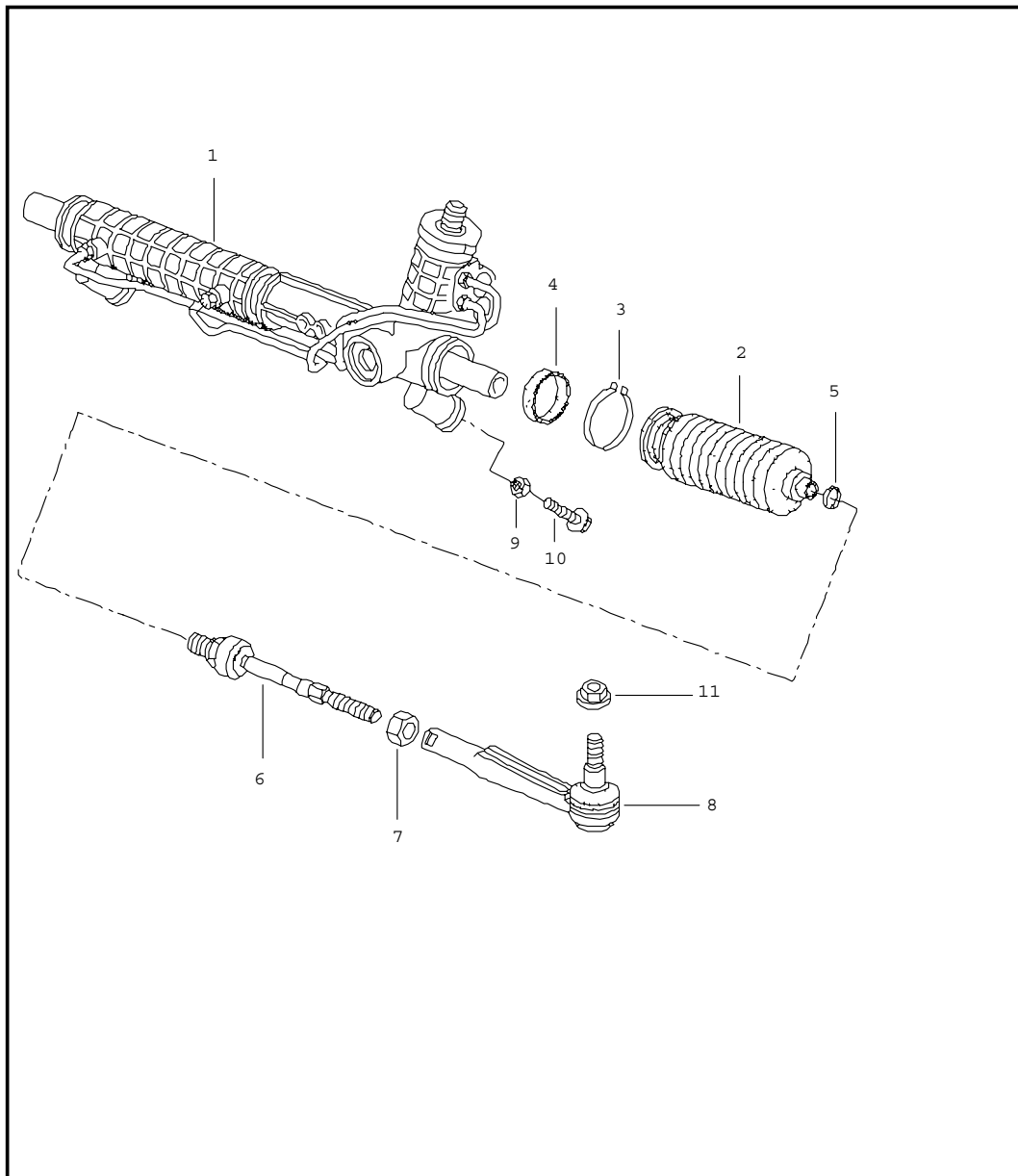
Pos	Part Number	Name	Remarks	Qty	Model
1	997 343 041 92	springs shock absorber strut		2	
-	900 378 138 09	mount shock absorber		2	
2	K 997 343 561 90	hexagon-head bolt m 12 x 1,5 x 70		2	
3	K 997 343 561 90	nut		2	
3	997 343 011 94	supporting mount		2	
-	999 084 447 09	hexagon nut M 8		6	
4	964 343 188 80	retainer spring		2	
5	964 343 186 80	sealing cap		2	
6	K 997 343 563 90	spacer sleeve		2	
7	996 343 511 90	spring hanger		1	
8	K 996 343 531 95	coil spring		1	
9	999 084 447 09	504 1 set		6	
10	999 084 447 09	hexagon nut m 8		6	
10	996 343 567 90	bellows for spring hanger		2	
11	997 618 105 90	control unit shock absorber		1	
		- - - E N D - - -			

Model	Year	MG	SG	Illustration	Restrictions	Update	16:32	25.10.2006	PORSCHE	PET	PORSCHE
gt3-2	07	4	02	402-05		207					



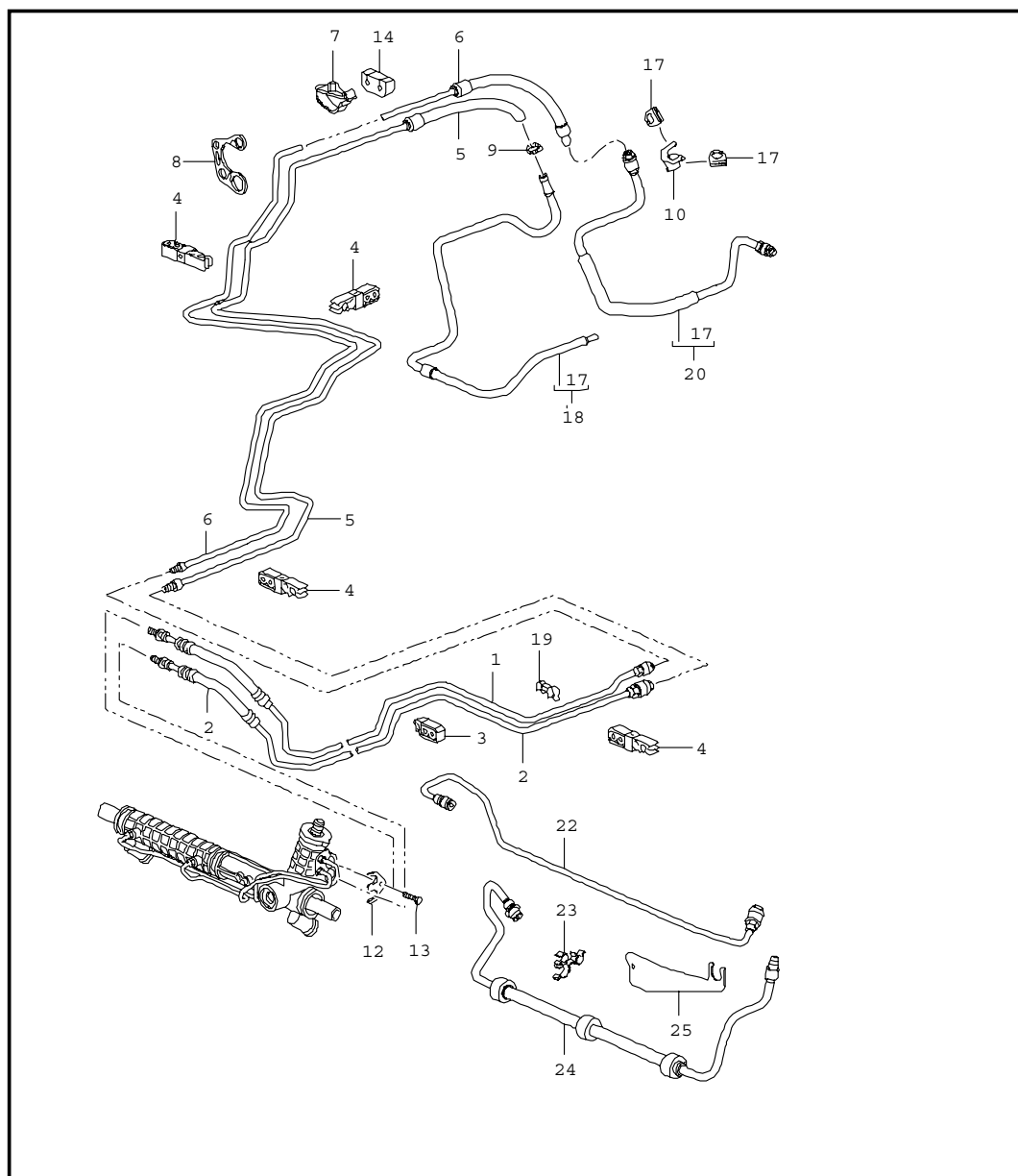
Pos	Part Number	Name	Remarks	Qty	Model
		stabiliser			
1	K 997 343 701 91	stabiliser		1	
2	996 343 792 16	stabiliser mounting		2	
3	900 378 098 09	hexagon-head bolt m 10 x 60		4	
4	900 380 008 09	hexagon nut M 10		4	
5	997 343 069 01	stabiliser mounting	/L	1	
(5)	997 343 070 01	stabiliser mounting	/R	1	
7	999 084 445 09	lock nut M 12 X 1,5		2	
8	999 084 123 09	hexagon nut M 10		2	
- - - E N D - - -					

Model	Year	MG	SG	Illustration	Restrictions	Update	16:32	25.10.2006	PORSCHE	PET	PORSCHE
gt3-2	07	4	03	403-00		207					



Pos	Part Number	Name	Remarks	Qty	Model
		power steering steering gear steering parts			
1	997 347 011 04	steering gear power steering		1	I098
(1)	997 347 012 03	steering gear power steering		1	I099
-	996 347 110 02	clip pinion steering gear		1	
2	997 347 191 00	bellows		2	
3	996 347 293 04	clamping ring		2	
4	997 347 373 00	sealing ring		2	
5	999 512 693 09	clamping ring		2	
6	997 347 322 00	joint		2	
7	999 034 037 09	hexagon nut M 14 X 1,5		2	
8	996 347 131 04	track rod		2	
9	-	see illustrations 4/01/00 POS.2			
10	900 378 100 09	hexagon-head bolt AM 10 X 45		2	
11	999 084 449 09	hexagon nut M 12 X 1,5		2	
		- - - E N D - - -			

Model	Year	MG	SG	Illustration	Restrictions	Update	16:32	25.10.2006	PORSCHE	PET	PORSCHE
gt3-2	07	4	03	403-01		207					

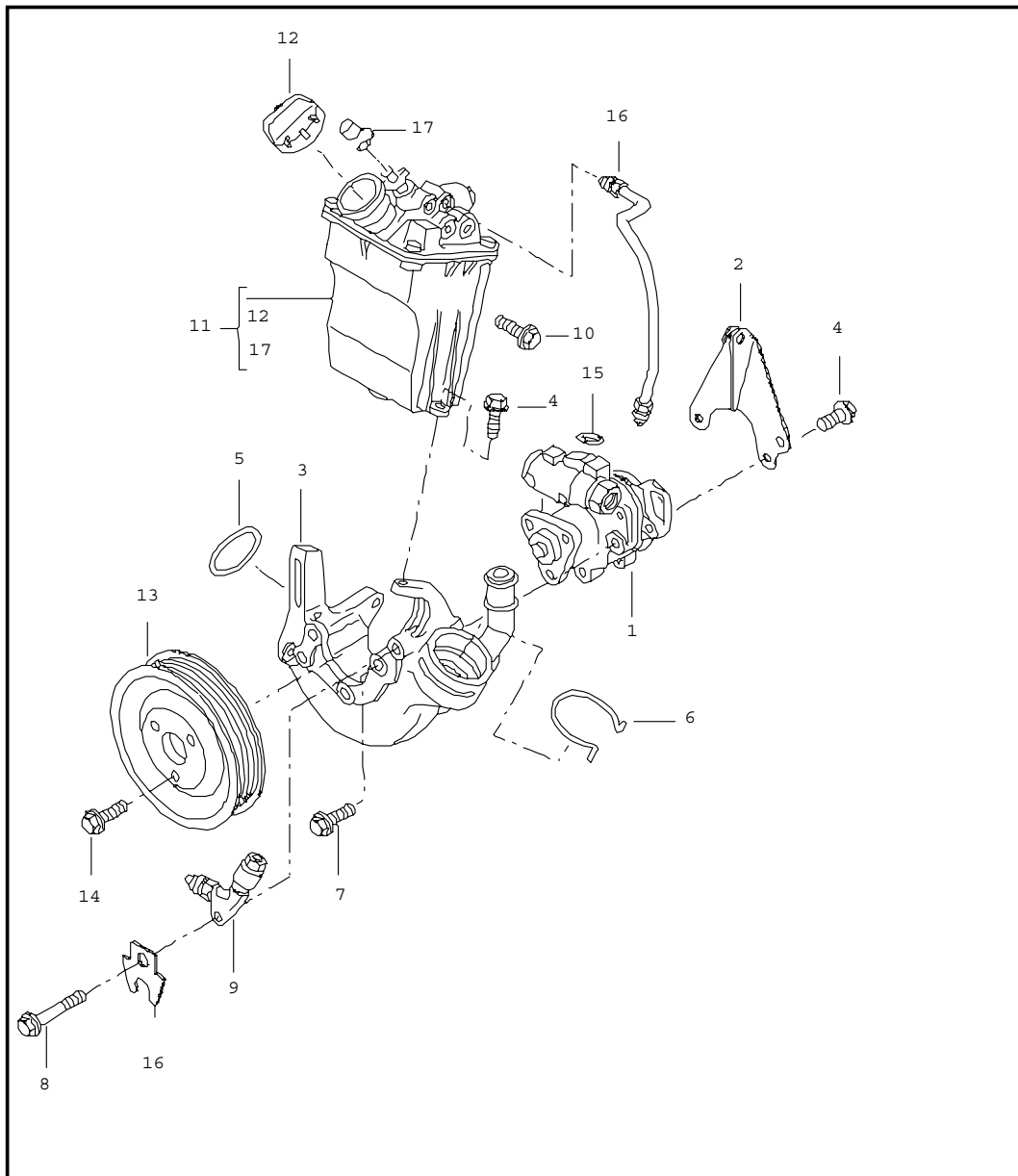


Pos	Part Number	Name	Remarks	Qty	Model
		power steering lines			
1	997 347 451 03	pressure line		1	I098
(1)	997 347 452 02	pressure line		1	I099
-	999 230 539 10	threaded joint pressure line		1	
2	987 347 449 03	return line		1	I098
(2)	987 347 650 03	return line		1	I099
-	999 230 540 10	threaded joint return line		1	
3	996 347 543 00	cable holder		4	
4	996 355 543 00	support		3	
(4)	999 507 091 40	cable holder simple		3	
5	997 347 439 51	return line centre		1	
6	997 347 445 51	pressure line		1	
7	996 347 549 01	support		2	
8	997 347 544 00	support		1	
9	999 512 639 09	spring clamp		1	
-	999 230 683 40	safety clip for threaded joint pressure line		1	
-	999 230 584 40	circlip for threaded joint return line		1	I098
-	999 230 584 40	circlip for threaded joint return line		2	I099
10	997 347 749 00	support		1	
12	996 347 769 01	tension shackle		1	
13	900 067 063 02	pan-head screw M 10 X 20		1	
14	996 347 551 01	retainer plate		1	

Model	Year	MG	SG	Illustration	Restrictions	Update	16:32	25.10.2006	PORSCHE	PET	PORSCHE
gt3-2	07	4	03	403-01		207					

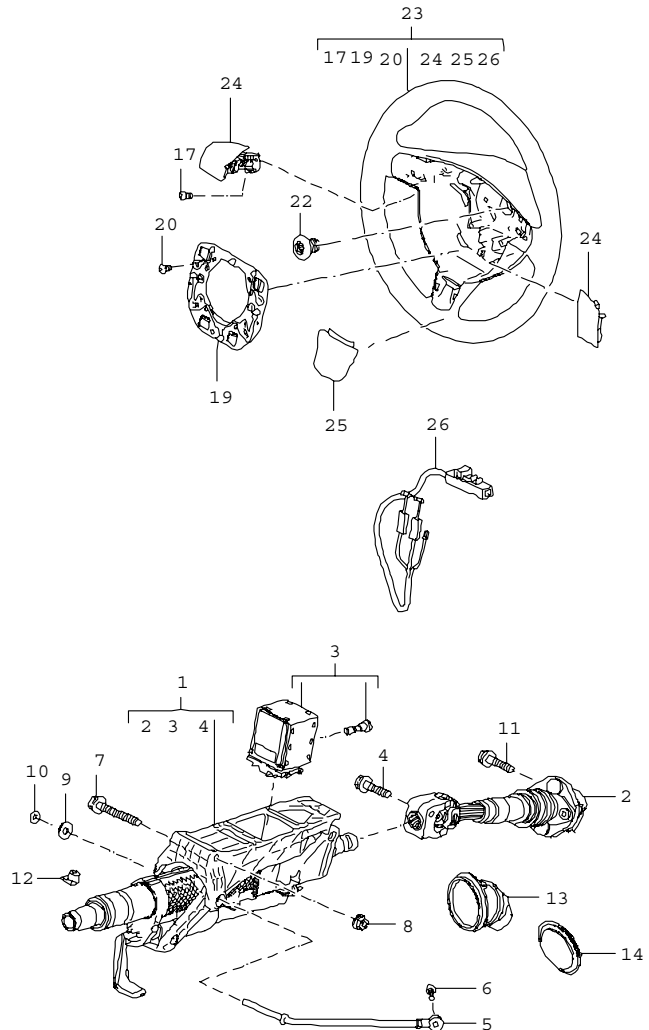
Pos	Part Number	Name	Remarks	Qty	Model	Pos	Part Number	Name	Remarks	Qty	Model
17	999 702 210 40	rubber sleeve		2							
18	997 347 441 02	return line		1							
19	999 507 575 40	hose holder		1							
20	997 347 443 00	pressure line		1							
22	997 347 564 02	pressure line		1	I099						
23	999 507 963 40	support		1	I099						
24	997 347 462 02	return line		1	I099						
25	997 347 560 00	support		1	I099						
		- - - E N D - - -									

Model	Year	MG	SG	Illustration	Restrictions	Update	16:32	25.10.2006	PORSCHE	PET	PORSCHE
gt3-2	07	4	03	403-03		207					



Pos	Part Number	Name	Remarks	Qty	Model
		power steering power-steering pump container			
1	996 314 050 51	power-steering pump		1	
(2)	997 314 431 91	bracket		1	
(3)	997 115 091 71	bracket		1	
4	900 385 044 01	torx screw M 8 X 16		4	
5	999 707 298 40	o-ring		1	
6	996 106 802 10	retainer spring		1	
7	900 385 098 01	torx screw M 8 X 25		3	
8	900 385 108 01	torx screw M 6 X 80		1	
9	997 347 643 51	pressure line		1	
10	900 385 009 01	torx screw M 6 X 16		1	
11	997 314 920 50	container		1	
-	996 314 331 00	drip pan for pentosin		1	
12	997 314 223 50	cover		1	
13	996 147 223 71	pulley		1	
14	900 378 123 09	hexagon-head bolt M 8 X 12		3	
-	000 043 203 33	pentosin 1000 ML		X	
16	997 347 747 50	support		1	
17	997 314 332 00	rubber cap		1	
		- - - E N D - - -			

Model	Year	MG	SG	Illustration	Restrictions	Update	16:32	25.10.2006	PORSCHE	PET	PORSCHE
gt3-2	07	4	03	403-05		207					

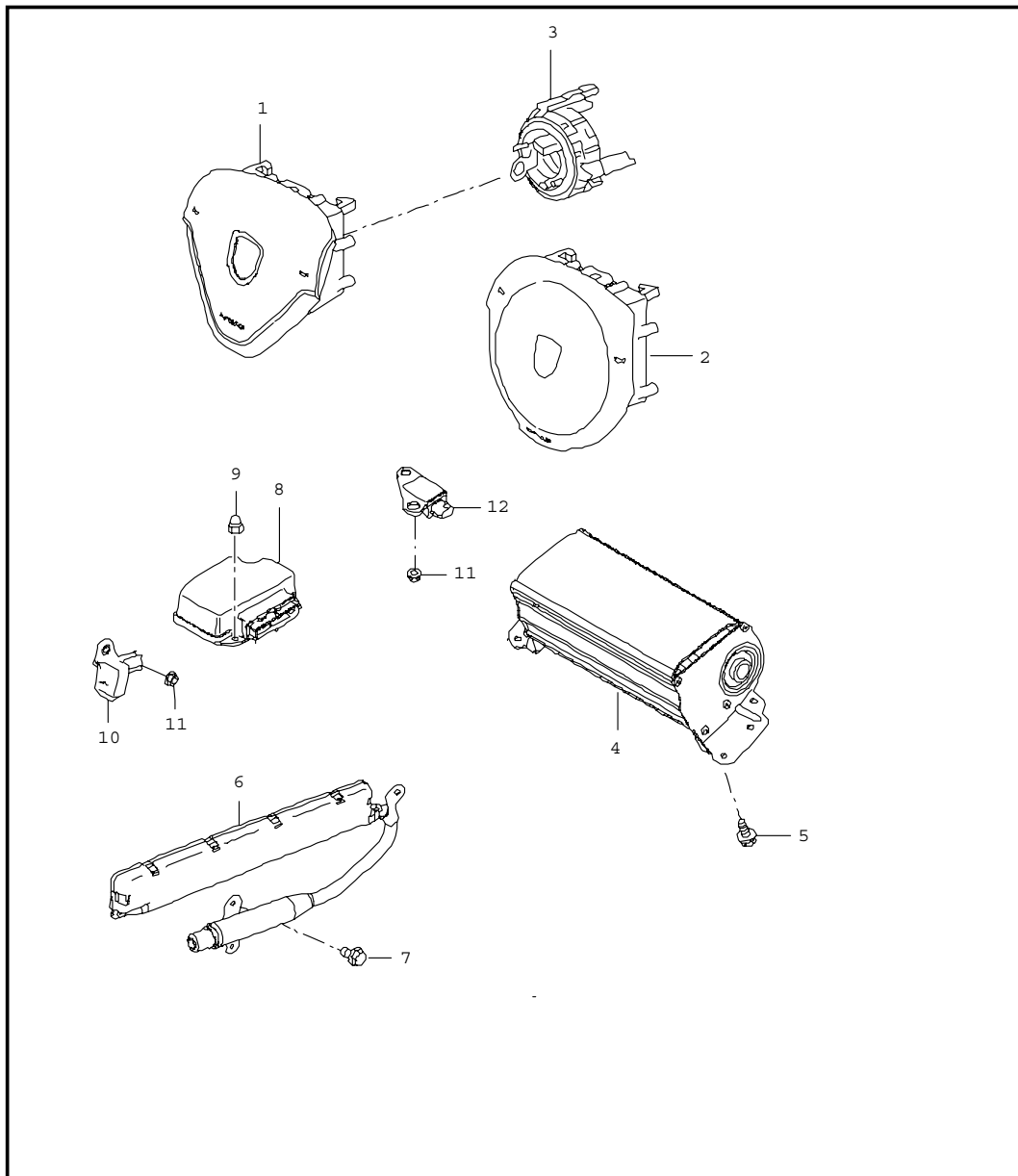


Pos	Part Number	Name	Remarks	Qty	Model
(1)	997 347 007 08	steering outer tube steering shaft steering wheels		1	
(2)	997 347 023 03	steering column complete with steering shaft		1	
3	997 618 158 03	intermed. steering shaft		1	
4	999 217 042 09	control unit steering column with screw		1	
5	999 217 042 09	hexagon-head bolt M 8 X 35		1	
6	997 347 243 00	support		1	
7	900 378 173 09	hexagon-head bolt AM 6 X 20		1	
8	900 378 095 09	hexagon-head bolt M 10 X 100		1	
9	900 380 008 09	hexagon nut M 10		1	
10	900 151 006 09	washer		1	
11	999 507 217 07	clamping washer		1	
12	999 217 042 09	hexagon-head bolt M 8 X 35		1	
13	999 920 019 40	special nut 3,5 X 2,5 X 9		1	
14	986 347 037 01	bellows		1	
15	996 347 339 02	rubber seal bulkhead		1	
16	999 073 318 09	half-round screw M 4 X 10		2	
17	997 347 880 00	retaining frame		1	
18	999 141 022 09	round head screw M 5 X 12,5		4	
19	N 910 207 01	screw M 18 X 1,5 X 26		1	
20	997 347 804 41	sports steering wheel plain leather		1	

Model	Year	MG	SG	Illustration	Restrictions	Update	16:32	25.10.2006	PORSCHE	PET	PORSCHE
gt3-2	07	4	03	403-05		207					

Pos	Part Number	Name	Remarks	Qty	Model	Pos	Part Number	Name	Remarks	Qty	Model
		FOK black/grey					D07	volcano grey			
		FOR darkgrey natural/grey				26	997 612 672 00	wiring harness 3-spoke steering wheel sports steering wheel		1	
(23)	K 997 347 804 91	sports steering wheel leather		1	I433						
		A15 black alcantara						- - - E N D - - -			
(23)	K 997 347 804 92	sports steering wheel leather		1	I004						
		A15 black alcantara									
(23)	997 347 980 00	sports steering wheel leather		1	IXPA						
		A34 black									
		B24 stone grey									
		D14 dark grey/natural									
		E24 sea blue									
		J24 palmgreen									
		M24 terracotta									
		R24 cocoa									
		T24 sand beige									
		T34 brown/natural									
24	997 347 837 40	cover	/L	1							
		V04 galvano silver									
(24)	997 347 837 90	cover	/L	1	I433						
		D07 volcano grey									
(24)	997 347 838 40	cover	/R	1							
		V04 galvano silver									
(24)	997 347 838 90	cover	/R	1	I433						
		D07 volcano grey									
25	997 347 821 40	cover		1							
		V04 galvano silver									
(25)	997 347 821 90	cover		1	I433						

Model	Year	MG	SG	Illustration	Restrictions	Update	16:33	25.10.2006	PORSCHE	PET	PORSCHE
gt3-2	07	4	03	403-06		207					

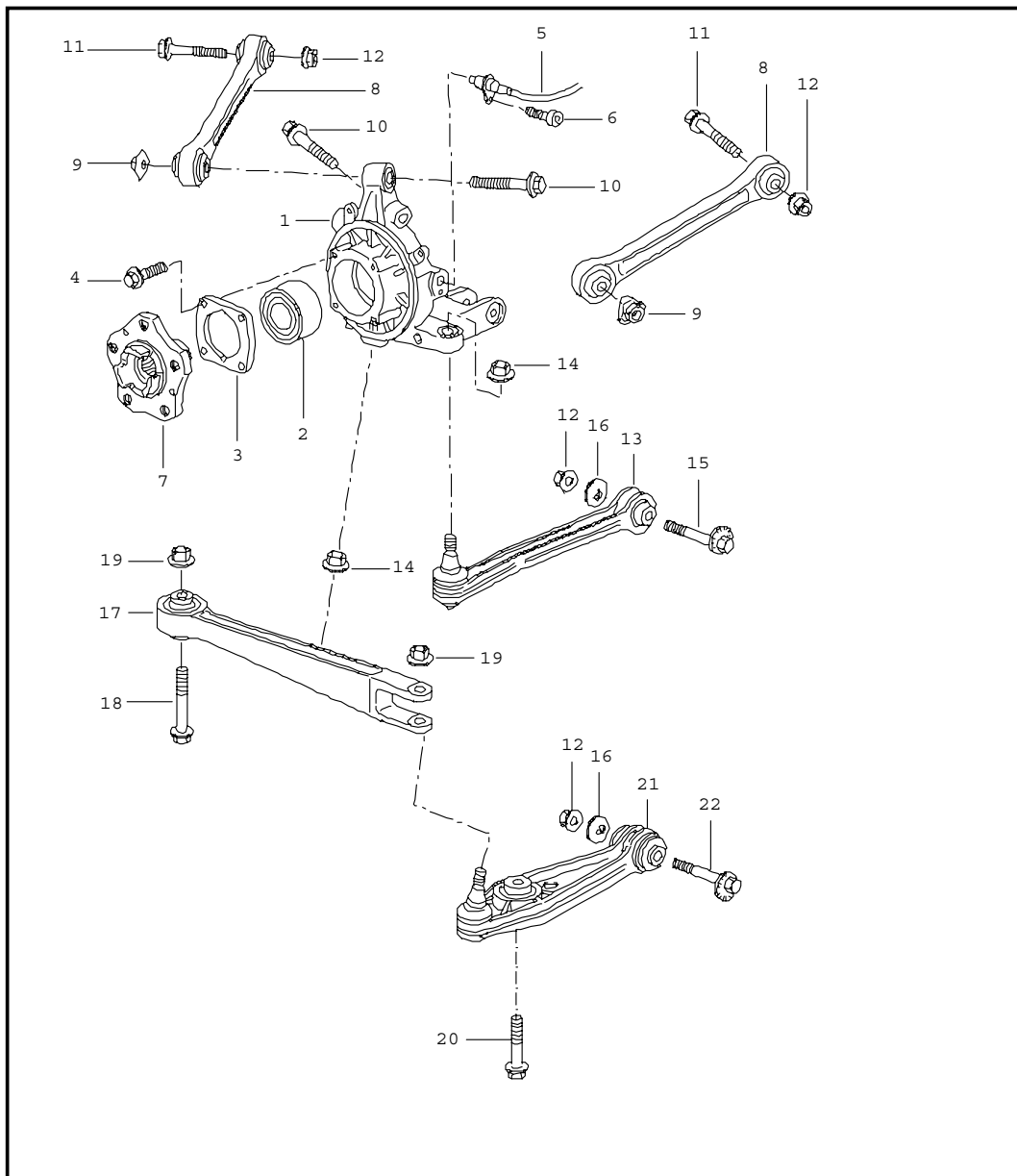


Pos	Part Number	Name	Remarks	Qty	Model
2	997 803 089 16	airbag unit sports steering wheel plastic material emblem coloured		1	I433
	A32	black			
(2)	997 803 089 17	airbag unit sports steering wheel leather emblem coloured		1	I460/I991 IXPA/I991
	A34	black			
(2)	997 803 089 91	airbag unit leather alcantara		1	I433
	A34	black			
3	955 652 211 11	spring with steering-angle sensor		1	
(4)	997 803 071 07	airbag unit passenger's side		1	
5	900 378 222 09	hexagon-head bolt M 6 X 16		4	
6	997 803 091 03	side airbag for head airbag	/L	1	
(6)	997 803 092 03	side airbag for head airbag	/R	1	
7	900 378 035 09	hexagon-head bolt M 6 X 16		6	
(8)	997 618 217 08	control unit		1	
9	999 070 015 02	cap nut M 6		3	
10	997 618 221 01	sensor side airbag		2	
11	999 084 629 09	hexagon nut M 6		8	

Model	Year	MG	SG	Illustration	Restrictions	Update	16:33	25.10.2006	PORSCHE	PET	PORSCHE
gt3-2	07	4	03	403-06		207					

Pos	Part Number	Name	Remarks	Qty	Model	Pos	Part Number	Name	Remarks	Qty	Model
12	997 618 223 01	acceleration sensor airbag front - - - E N D - - -		2							

Model	Year	MG	SG	Illustration	Restrictions	Update	16:33	25.10.2006	PORSCHE	PET	PORSCHE
gt3-2	07	5	01	501-00		207					

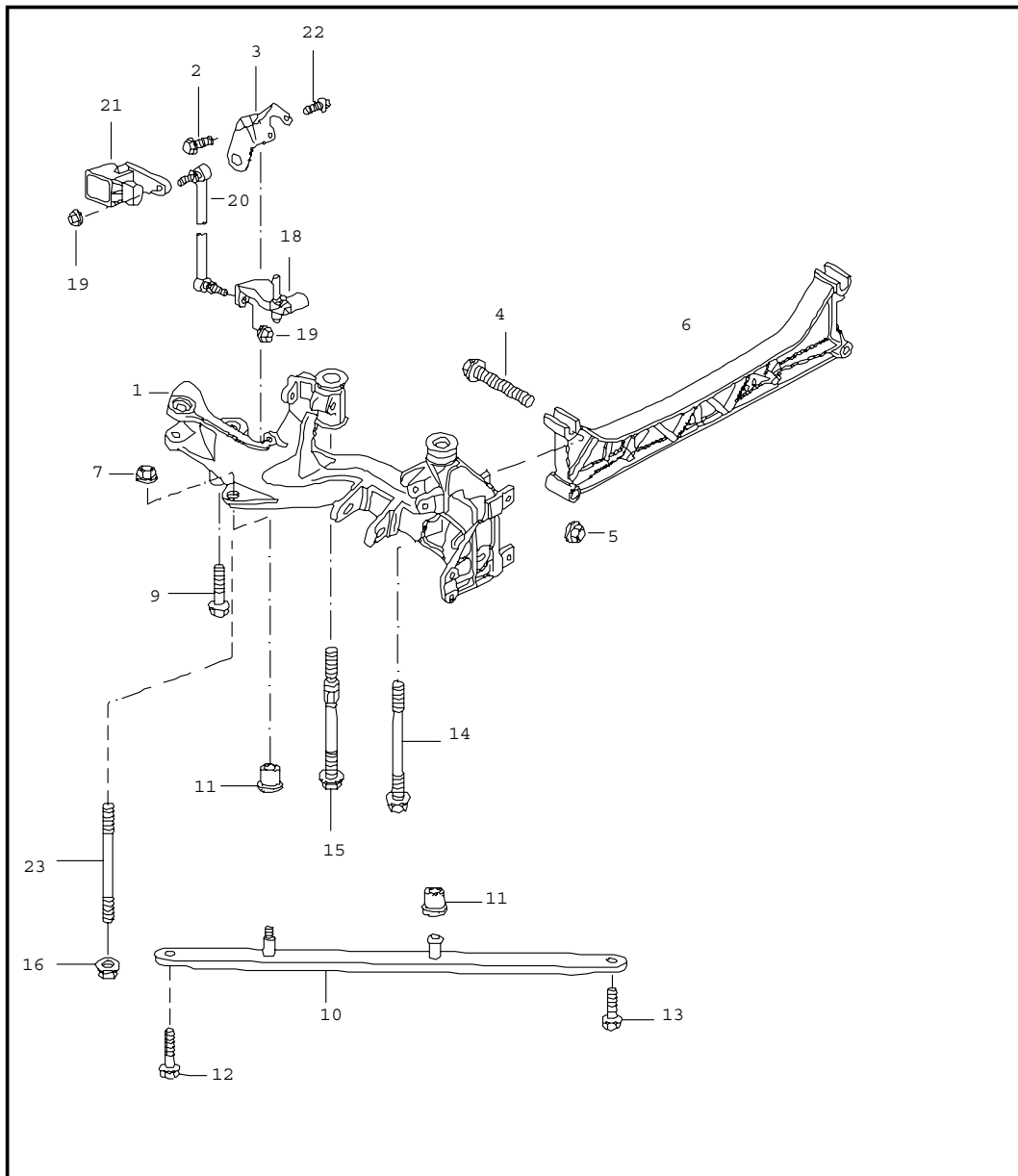


Pos	Part Number	Name	Remarks	Qty	Model
		rear axle wheel carrier control arm wheel hub			
1	997 331 111 07	wheel carrier	/L	1	
(1)	997 331 112 07	wheel carrier	/R	1	
2	999 053 055 02	angular-contact bearing		2	
3	996 331 661 01	cover		2	
4	999 217 042 09	hexagon-head bolt M 8 X 35		8	
5	997 606 407 01	speed sensor		2	
6	900 067 117 09	pan-head screw M 6 X 16		2	
7	997 331 605 00	wheel hub		2	
-	997 361 605 90	spacer ring 5 mm		2	
8	997 331 047 00	control arm		2	
9	999 084 445 09	lock nut M 12 X 1,5		4	
10	900 378 138 09	hexagon-head bolt M 12 X 70		4	
11	900 378 165 09	hexagon-head bolt M 12 X 95		4	
12	999 084 445 09	lock nut M 12 X 1,5		10	
13	997 331 045 04	track rod		2	
14	999 084 449 09	hexagon nut M 12 X 1,5		4	
15	996 331 217 02	eccentric screw M 12 X 83		2	
16	996 331 219 00	eccentric washer		2	
17	997 331 043 01	control arm		2	
18	900 378 051 09	hexagon-head bolt M 14 X 100		2	
19	900 380 012 09	hexagon nut M 14 X 1,5		4	

Model	Year	MG	SG	Illustration	Restrictions	Update	16:33	25.10.2006	PORSCHE	PET	PORSCHE
gt3-2	07	5	01	501-00		207					

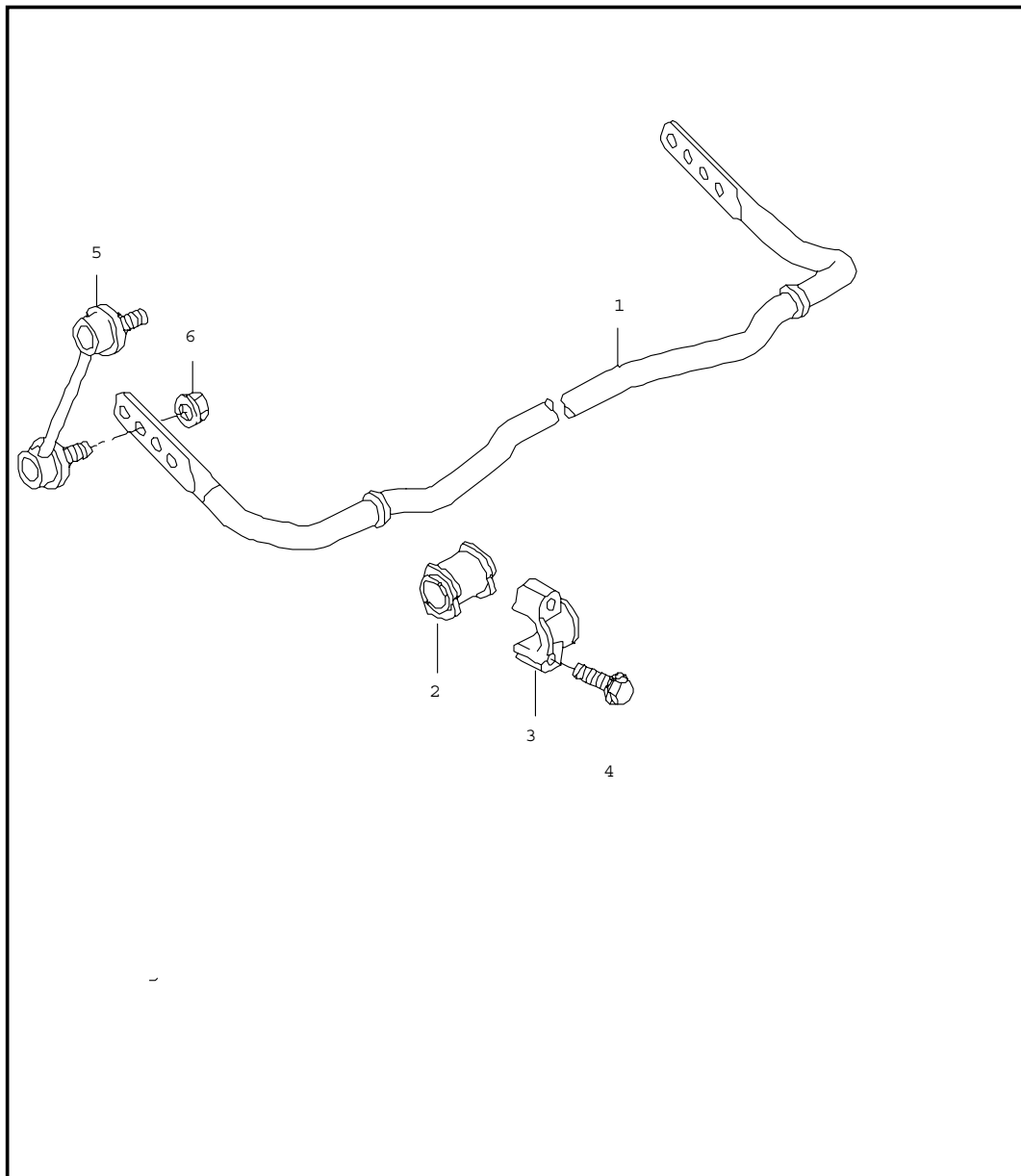
Pos	Part Number	Name	Remarks	Qty	Model	Pos	Part Number	Name	Remarks	Qty	Model
20	900 378 135 09	hexagon-head bolt M 14 X 75		2							
21	997 331 053 01	control arm		2							
(21)	997 331 041 92	control arm	/L	1	I004						
(21)	997 331 042 92	control arm	/R	1	I004						
-	900 076 025 02	hexagon nut		4	I004						
-	999 025 269 02	washer		4	I004						
-	996 341 543 90	adjusting shim 1 mm		2	I004						
22	996 331 217 03	eccentric screw		2							
23	K 997 331 487 91	spoiler	/L	1							
(23)	K 997 331 488 91	spoiler	/R	1							
		- - - E N D - - -									

Model	Year	MG	SG	Illustration	Restrictions	Update	16:33	25.10.2006	PORSCHE	PET	PORSCHE
gt3-2	07	5	01	501-01		207					



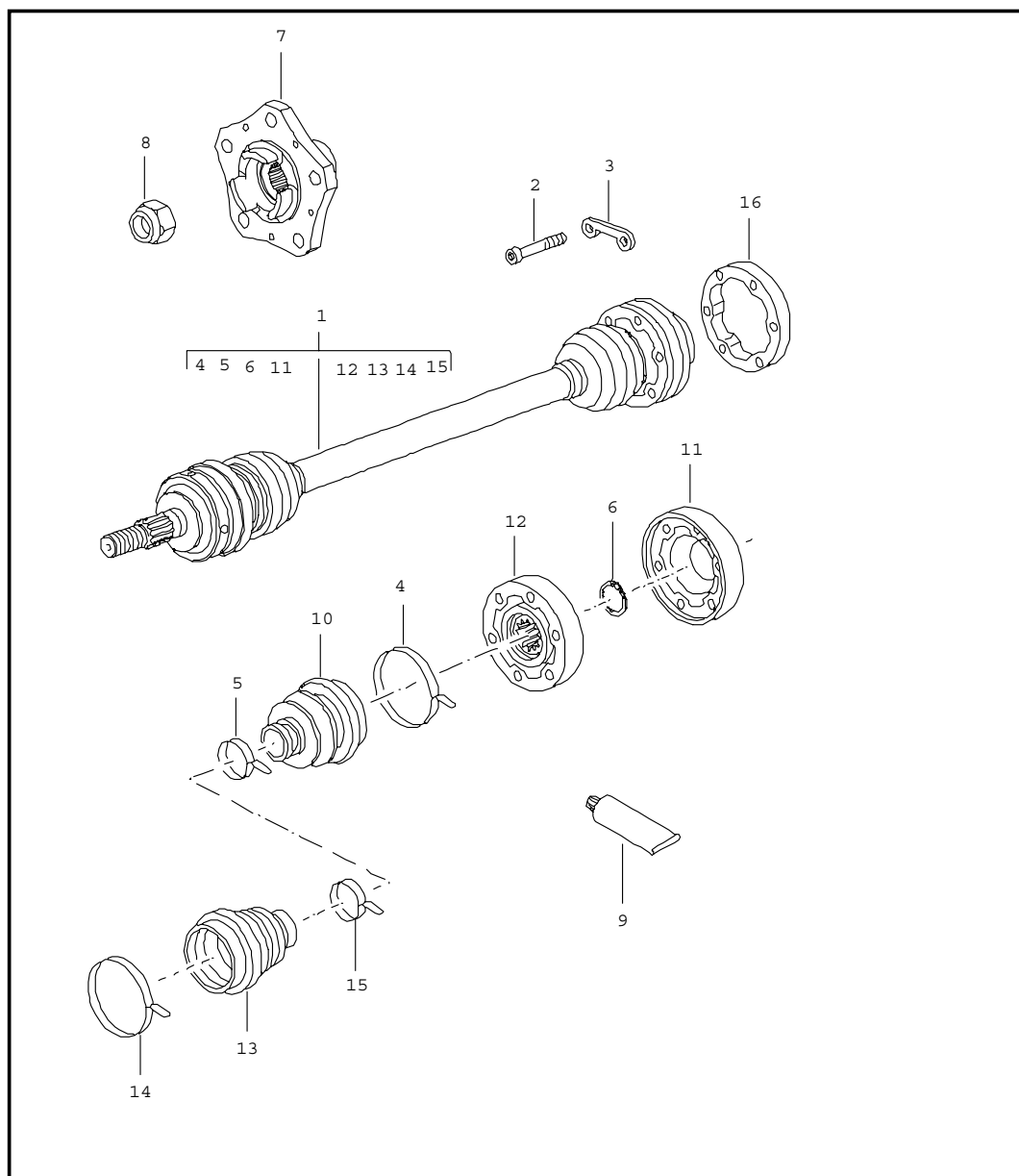
Pos	Part Number	Name	Remarks	Qty	Model
		rear axle side section bracket			
1	997 331 051 94	side section	/L	1	
(1)	997 331 052 94	side section	/R	1	
2	900 067 117 09	pan-head screw M 6 X 16		2	
3	997 355 505 02	support for brake hose	/L	1	
(3)	997 355 506 02	support for brake hose	/R	1	
4	900 378 139 09	hexagon-head bolt M 12 X 80		4	
5	999 084 445 09	lock nut M 12 X 1,5		4	
(6)	997 331 261 02	cross member		1	
7	999 076 053 09	hexagon nut M 10		2	
9	999 072 020 09	hexagon-head bolt M 10 X 40		2	
10	997 331 081 02	strut		2	
11	996 331 385 00	rubber mounting		6	
12	999 072 031 09	hexagon-head bolt M 12 X 1,5 X 30		2	
13	900 378 072 09	hexagon-head bolt M 12 X 30		2	
14	900 178 010 09	hexagon-head bolt M 12 X 130		2	
15	900 178 010 09	hexagon-head bolt M 12 X 130		2	
16	999 084 445 09	lock nut M 12 X 1,5		2	
23	999 061 103 09	stud M 12 X 1,5		2	
- - - E N D - - -					

Model	Year	MG	SG	Illustration	Restrictions	Update	16:33	25.10.2006	PORSCHE	PET	PORSCHE
gt3-2	07	5	01	501-03		207					



Pos	Part Number	Name	Remarks	Qty	Model
		stabiliser			
1	K 997 333 701 92	stabiliser		1	
2	K 997 333 792 90	stabiliser mounting		2	
3	996 333 777 01	clamp		2	
4	900 378 055 09	hexagon-head bolt		4	
5	997 333 069 05	stabiliser mounting		1	
(5)	997 333 070 05	stabiliser mounting		1	
6	999 084 123 09	hexagon nut m 10		2	
- - - E N D - - -					

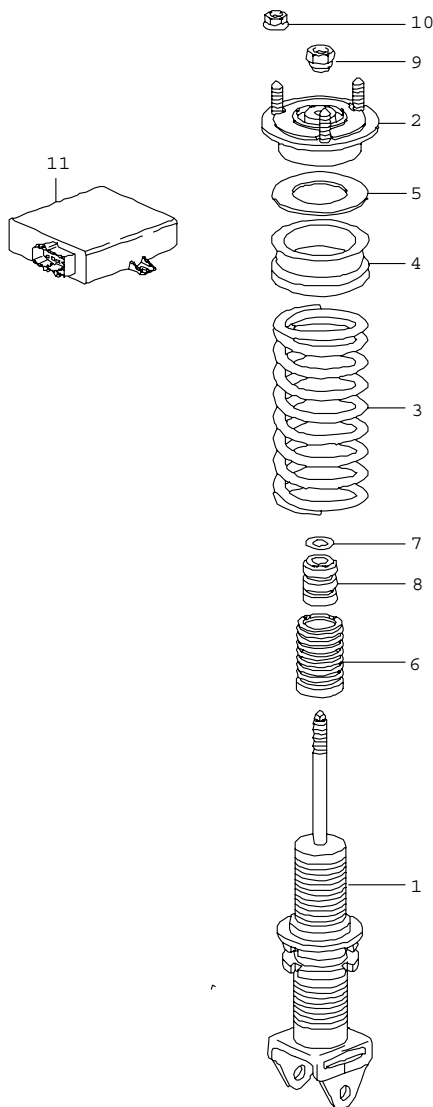
Model	Year	MG	SG	Illustration	Restrictions	Update	16:34	25.10.2006	PORSCHE	PET	PORSCHE
gt3-2	07	5	01	501-05		207					



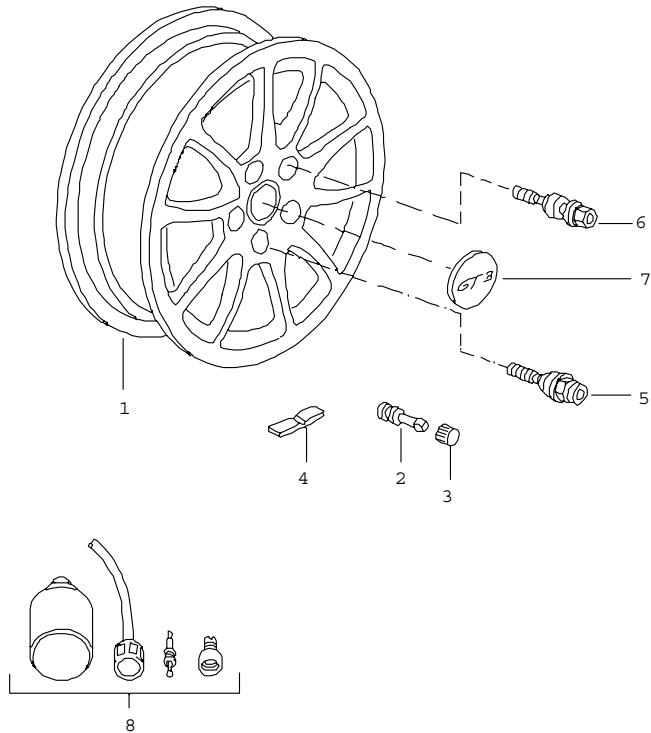
Pos	Part Number	Name	Remarks	Qty	Model
		drive shaft			
		wheel hub			
1	997 332 024 02	drive shaft		2	
2	999 073 092 09	pan-head screw M 10 x 1 x 50		12	
(3)	996 332 191 00	plate		6	
4	911 332 257 00	clip 73 MM		2	
5	996 332 257 00	clip 34 MM		2	
6	900 041 014 00	circlip		2	
7	997 331 605 00	wheel hub		2	
8	999 084 641 02	lock nut M 22 X 1,5		2	
9	000 043 110 01	grease 1 tube 100 g		X	
(9)	000 043 205 36	sealing compound 1 tube 100 g		X	
10	996 332 293 00	dust bellows		2	
-	911 332 259 01	flange dust bellows		2	
11	928 332 267 01	cover		2	
12	996 332 030 00	joint		2	
13	996 332 293 00	dust bellows		2	
14	911 332 257 00	clip		2	
15	996 332 257 00	clip		2	
		- - - E N D - - -			

Model	Year	MG	SG	Illustration	Restrictions	Update	16:34	25.10.2006	PORSCHE	PET	PORSCHE
gt3-2	07	5	02	502-00		207					

Pos	Part Number	Name	Remarks	Qty	Model
1	997 333 051 91	shock absorber coil spring		2	
-	900 378 138 09	mount shock absorber		2	
-	999 084 445 09	hexagon-head bolt M 12 X 1,5 X 70		2	
-	999 084 445 09	lock nut M 12 X 1,5		2	
2	997 333 061 01	supporting mount		2	
3	997 333 531 91	coil spring		2	
(3)	997 333 531 93	coil spring		2	I004
	504	1 set red			
	504	1 set red			
4	996 333 529 92	spring hanger		2	
5	996 333 551 90	rubber support		2	
7	999 025 271 02	washer		2	
8	997 333 105 01	additional spring		2	
9	999 084 050 02	hexagon nut M 12 X 1		2	
10	900 380 009 09	hexagon nut m 10		2	
11	997 618 105 90	control unit shock absorber		1	
-	997 618 205 00	support for control unit		1	
-	997 606 111 01	acceleration sensor body		1	
		- - - E N D - - -			



Model	Year	MG	SG	Illustration	Restrictions	Update	16:34	25.10.2006	PORSCHE	PET	PORSCHE
gt3-2	07	6	01	601-00		207					

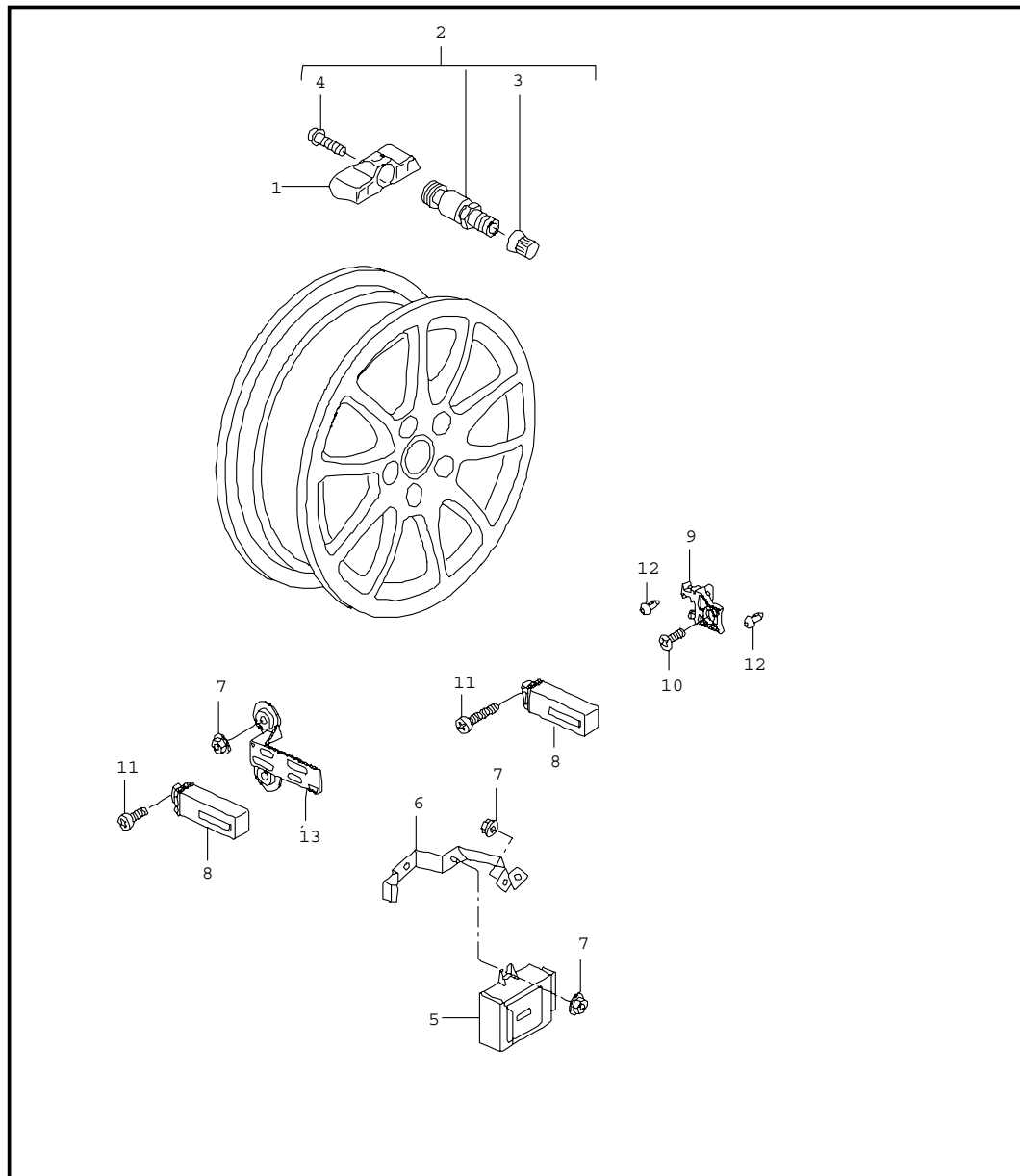


Pos	Part Number	Name	Remarks	Qty	Model
		wheels			
(1)	K 997 362 156 95	disc wheel silver 8,5 J x 19 Et 53	/V	2	
(1)	K 997 362 164 90	disc wheel silver 12 J x 19 ET 68	/H	2	
(1)	K 997 362 156 96	disc wheel black 8,5 x 19 ET 53	/V	2	I004
(1)	K 997 362 156 96	disc wheel orange 8,5 J x 19 ET 53	/V	2	I004
(1)	K 997 362 164 91	disc wheel silver 12 J x 19 ET 51	/H	2	I004
(1)	K 997 362 164 92	disc wheel black 12 J x 19 ET 51	/H	2	I004
(1)	K 997 362 164 92	disc wheel orange 12 J x 19 ET 51	/H	2	I004
2	900 265 001 50	rubber valve rubber		4	
(2)	valve tyre pressure monit. sys. see group 6/01/05		4	I482/I483
3	993 361 163 10	cap for rubber valve		4	
4	997 361 405 00	balance stick-on weight 5.G.		X	
(4)	997 361 410 00	balance stick-on weight 10 G.		X	

Model	Year	MG	SG	Illustration	Restrictions	Update	16:34	25.10.2006	PORSCHE	PET	PORSCHE
gt3-2	07	6	01	601-00		207					

Pos	Part Number	Name	Remarks	Qty	Model	Pos	Part Number	Name	Remarks	Qty	Model
(4)	997 361 415 00	balance stick-on weight 15 G.		X		7	K 996 361 303 91	hub cap		4	
(4)	997 361 420 00	balance stick-on weight 20 G.		X			9A1	silver			
(4)	997 361 425 00	balance stick-on weight 25 G.		X		(7)	955 361 303 05	hub cap		4	I446
(4)	997 361 430 00	balance stick-on weight 30 G.		X			9A1	silver			
(4)	997 361 435 00	balance stick-on weight 35 G.		X		(7) K	997 361 303 90	hub cap silver		4	I004
(4)	997 361 440 00	balance stick-on weight 40 G.		X		(7) K	997 361 303 91	hub cap		4	I004
(4)	997 361 445 00	balance stick-on weight 45 G.		X			041	black			
(4)	997 361 450 00	balance stick-on weight 50 G.		X		(7) K	997 361 303 91	hub cap		4	I004
(4)	997 361 455 00	balance stick-on weight 55 G.		X			8C6	orange			
(4)	997 361 460 00	balance stick-on weight 60 G.		X		(8)	955 722 631 00	compressed air bottle		1	
(4) P	997 361 465 00	balance stick-on weight 65 G.		X		-	911 722 201 02	tyre pressure gauge		1	
(4) P	997 361 470 00	balance stick-on weight 70 G.		X		- P	996 362 020 04	emergency wheel		1	I447
(4) P	997 361 475 00	balance stick-on weight 75 G.		X		- P	996 361 521 00	boot for emergency wheel		1	I447
(4) P	997 361 480 00	balance stick-on weight 80 G.		X		- P	999 914 001 40	plastic gloves		1	I447
(4) P	997 361 485 00	balance stick-on weight 85 G.		X				- - - E N D - - -			
(4) P	997 361 490 00	balance stick-on weight 90 G.		X							
5	996 361 980 02	set anti-theft protection 1 set		1							
(5)	997 361 980 00	set anti-theft protection 1 set		1	I444 (GB)						
6	996 361 980 00	wheel bolt		16							

Model	Year	MG	SG	Illustration	Restrictions	Update	16:34	25.10.2006	PORSCHE	PET	PORSCHE
gt3-2	07	6	01	601-05		207					

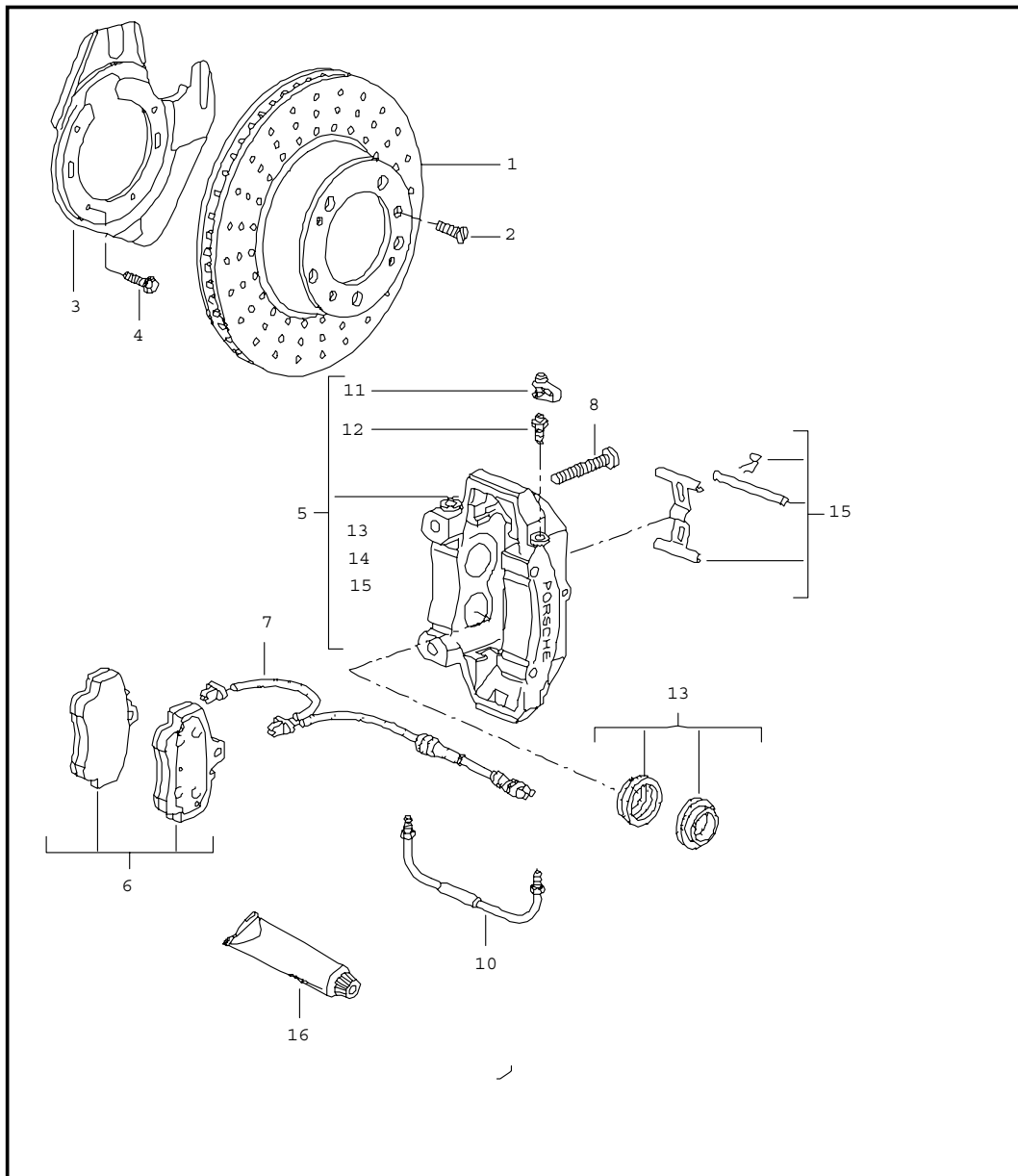


Pos	Part Number	Name	Remarks	Qty	Model
		tyre pressure monit. sys.			I482/I483
1	997 606 021 00	sensor tyre pressure gauge use also: 955.361.053.00		4	I482
(1)	997 606 023 00	sensor tyre pressure gauge use also: 955.361.053.00		4	I483
(1)	997 606 025 00	sensor tyre pressure gauge use also: 955.361.053.00		4	I483 I074/I193
2	955 361 053 00	valve aluminium		4	
3	N 908 729 01	cap		4	
4	4D0 601 365	fastening screw		4	
5	997 618 103 06	control unit		1	
6	997 618 203 01	support control unit		1	
7	999 076 081 40	plastic nut T5 16 X 11, 2		7	
8	997 606 101 00	antenna 433 MHZ use also: rear axle clip 997.606.225.00		4	I482
(8)	997 606 103 00	antenna 315 MHZ use also: rear axle clip 997.606.225.00		4	I483
9	997 606 225 00	clip for antenna rear axle		2	
10	999 919 121 09	oval-head screw M 5 X 16		2	
11	999 919 023 09	oval-head screw M 5 X 35		4	

Model	Year	MG	SG	Illustration	Restrictions	Update	16:34	25.10.2006	PORSCHE	PET	PORSCHE
gt3-2	07	6	01	601-05		207					

Pos	Part Number	Name	Remarks	Qty	Model	Pos	Part Number	Name	Remarks	Qty	Model
12	N 105 168 01	expander nut ST 4,8		4							
13	997 606 141 00	support antenna front		2							
- - - E N D - - -											

Model	Year	MG	SG	Illustration	Restrictions	Update	16:34	25.10.2006	PORSCHE	PET	PORSCHE
gt3-2	07	6	02	602-00		207					

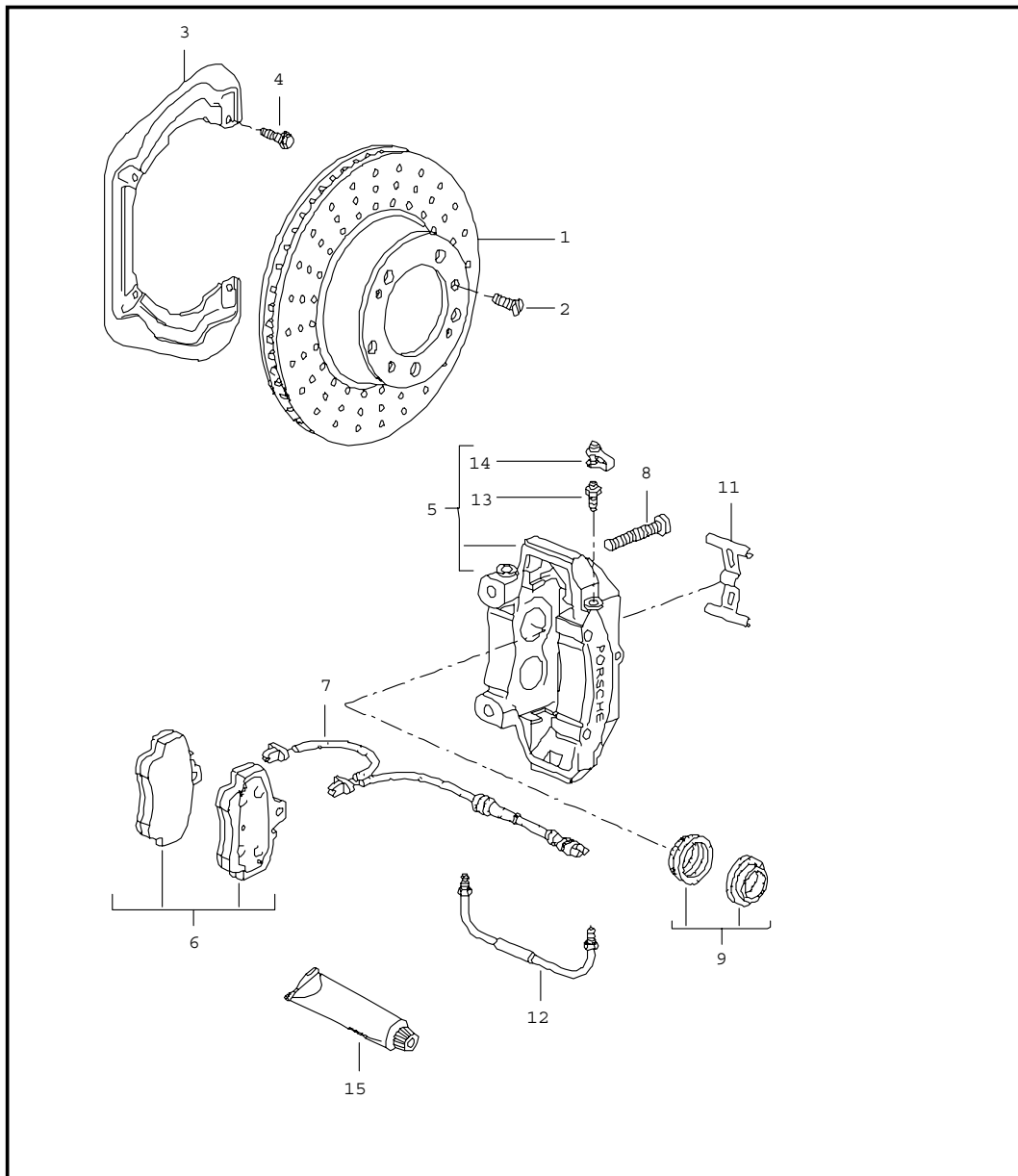


Pos	Part Number	Name	Remarks	Qty	Model
		disc brake front axle			
(1)	997 351 409 90	brake disc	/L	1	
(1) K	997 351 031 91	brake disc	/L	1	I450
(1)	997 351 410 90	brake disc	/R	1	
(1) K	997 351 032 91	brake disc	/R	1	I450
2	900 269 047 09	countersunk-head screw M 6 X 12		4	
(3)	996 351 813 90	cover plate upper	/L	1	
(3)	996 351 815 90	air baffle lower	/L	1	
(3)	996 351 814 90	cover plate upper	/R	1	
(3)	996 351 816 90	cover plate lower	/R	1	
-	900 378 036 09	hexagon-head bolt m 6 x 16		4	
-	900 380 015 09	hexagon nut m 6		4	
4	999 217 116 09	hexagon-head bolt M 6 X 16		X	
(5)	996 351 431 90	fixed calliper without pad use also: mounting parts fastening screw 999.067.047.09	/L	1	
(5) K	997 351 431 92	fixed calliper without pad use also: mounting parts fastening screw 999.067.054.09	/L	1	I450
(5)	996 351 432 90	fixed calliper without pad use also: mounting parts fastening screw 999.067.047.09	/R	1	
				4	

Model	Year	MG	SG	Illustration	Restrictions	Update	16:34	25.10.2006	PORSCHE	PET	PORSCHE
gt3-2	07	6	02	602-00		207					

Pos	Part Number	Name	Remarks	Qty	Model	Pos	Part Number	Name	Remarks	Qty	Model
(5)	K 997 351 432 92	fixed calliper without pad use also: mounting parts fastening screw 999.067.054.09	/R	1	I450	(13)	951 352 917 00	repair kit protection caps 28 MM		X	I450
				4		(13)	996 351 915 00	repair kit protection caps 32 MM		X	I450
(6)	K 996 351 948 00	set of brake pads use also: mounting parts use also: mounting parts fastening screw 999.067.047.09		1		(13)	951 351 917 00	repair kit protection caps 38 mm		X	I450
				4		(15)	996 351 959 30	repair kit mounting parts bolt expanding spring screw		1	I450
(6)	997 351 948 01	set of brake pads use also: mounting parts fastening screw 999.067.054.09		1	I450	16	000 043 117 00	brake cylinder paste 50 G		X	
-	996 352 086 01	damping plate		12		16	000 043 020 00	optimoly 100 G		X	
(7)	997 612 677 00	warning contact		2				- - - E N D - - -			
-	999 507 464 40	support		2							
-	944 612 627 00	holder for warning contact		3							
(8)	999 067 047 09	pan-head screw M 12 X 1,5 X 85		4							
(8)	999 067 054 09	pan-head screw M 12 X 1,5 X 62		4	I450						
10	996 351 961 30	connecting line		2							
(10)	980 351 961 00	connecting line		2	I450						
11	930 351 919 00	ventilation valve		2							
12	930 351 927 00	dust boot		2							
13	951 352 917 00	repair kit protection caps 28 MM		X							
(13)	996 351 915 00	repair kit protection caps 32 MM		X							
(13)	996 351 915 01	repair kit protection caps 38 MM		X							

Model	Year	MG	SG	Illustration	Restrictions	Update	16:35	25.10.2006	PORSCHE	PET	PORSCHE
gt3-2	07	6	03	603-00		207					

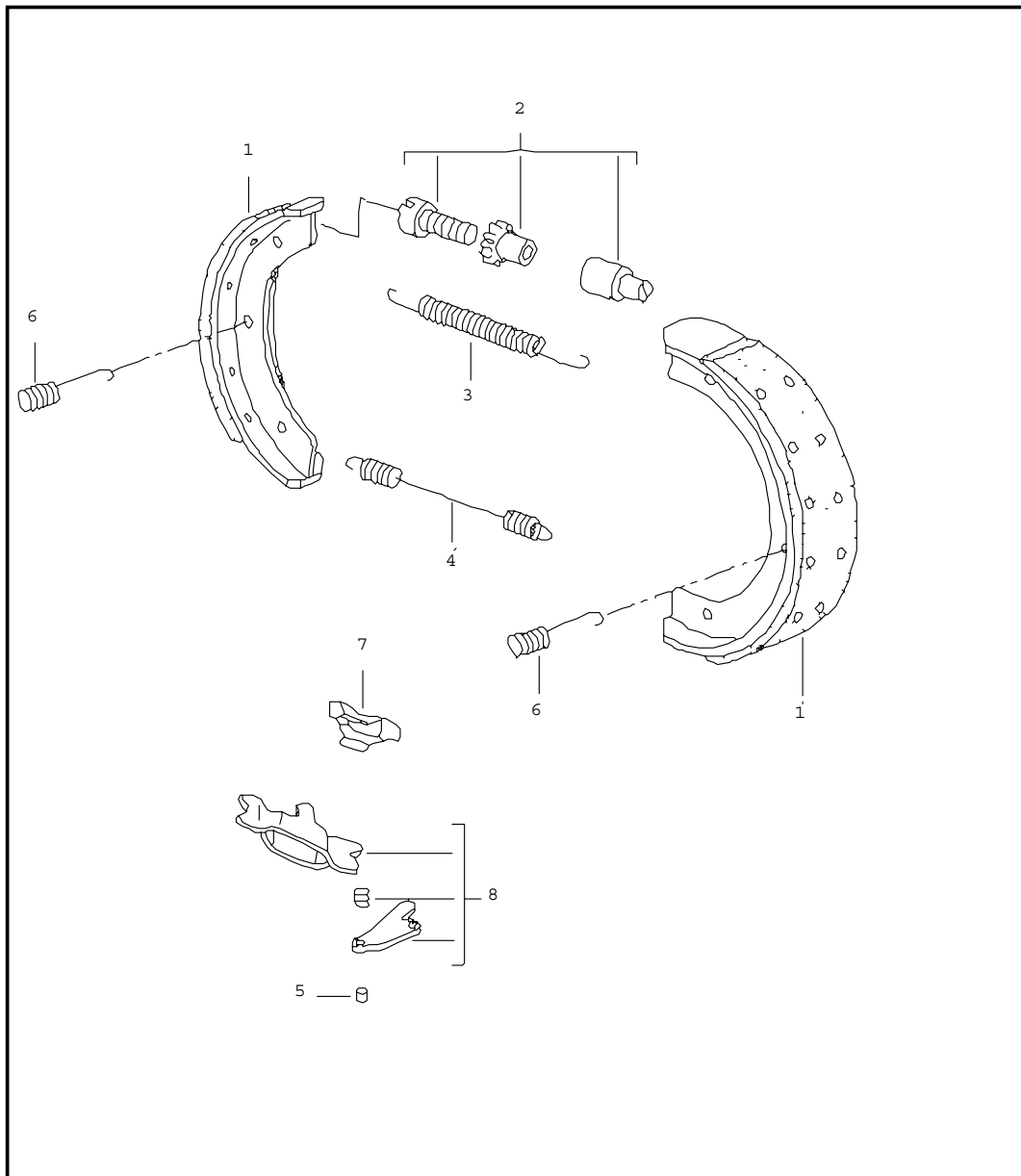


Pos	Part Number	Name	Remarks	Qty	Model
1	997 352 405 01	disc brake rear axle			
(1)	996 352 031 04	brake disc	/L	1	I450
(1)	997 352 406 01	brake disc	/R	1	
(1)	996 352 032 04	brake disc	/R	1	I450
(2)	900 269 047 09	countersunk-head screw M 6 X 12		4	
(3)	996 352 801 03	cover plate		2	
4	999 217 116 09	hexagon-head bolt M 6 X 16		X	
5	997 352 425 11	fixed calliper without pad	/L	1	
		use also: fastening screw 999.067.040.01		2	
(5)	997 352 425 31	fixed calliper without pad	/L	1	I450
		use also: fastening screw 999.067.040.01		2	
(5)	997 352 426 11	fixed calliper without pad	/R	1	
		use also: fastening screw 999.067.040.01		2	
(5)	997 352 426 31	fixed calliper without pad	/R	1	I450
		use also: fastening screw 999.067.040.01		2	
6	997 352 947 01	set of brake pads		1	
		use also: mounting parts fastening screw 999.067.040.01		4	
-	996 352 086 01	damping plate 28 MM		X	I450
7	997 612 754 00	warning contact		2	
8	999 067 050 09	pan-head screw M 12 X 1,5 X 77		4	

Model	Year	MG	SG	Illustration	Restrictions	Update	16:35	25.10.2006	PORSCHE	PET	PORSCHE
gt3-2	07	6	03	603-00		207					

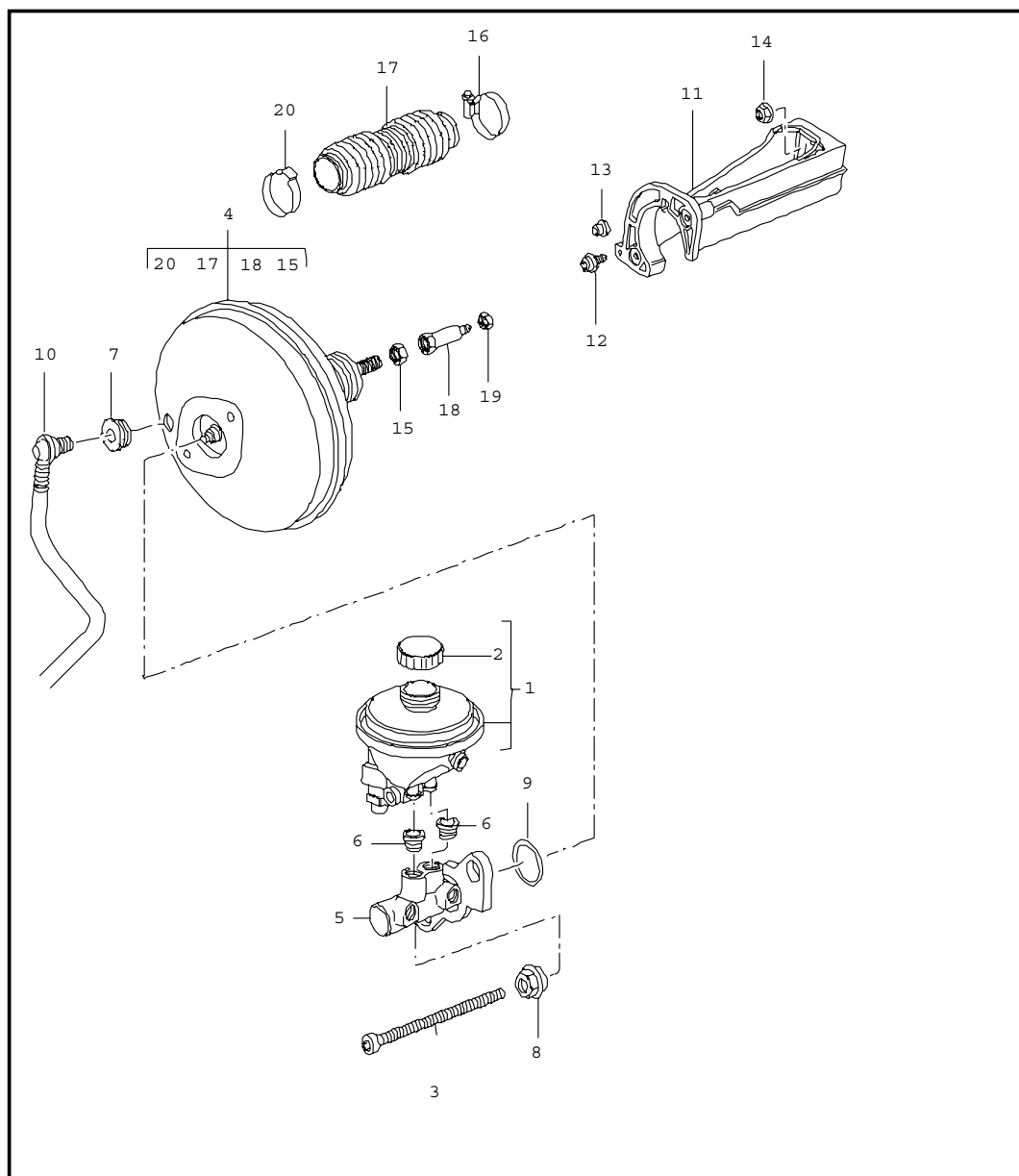
Pos	Part Number	Name	Remarks	Qty	Model	Pos	Part Number	Name	Remarks	Qty	Model
(8)	999 067 047 09	pan-head screw M 12 X 1,5 X 72		4	I450						
9	965 352 917 00	repair kit protection caps 34 MM		2 2							
11	997 352 959 10	spring		1							
12	996 351 961 00	connecting line	/L	2							
(12)	996 351 962 00	connecting line	/R	2							
13	930 351 919 01	ventilation valve		4							
14	930 351 927 00	dust boot		4							
15	000 043 117 00	brake cylinder paste 50 G		X							
(15)	000 043 020 00	optimoly 100 G		X							
		- - - E N D - - -									

Model	Year	MG	SG	Illustration	Restrictions	Update	16:35	25.10.2006	PORSCHE	PET	PORSCHE
gt3-2	07	6	03	603-05		207					



Pos	Part Number	Name	Remarks	Qty	Model
		handbrake			
(1)	997 352 993 01	repair kit 1 set		1	
2	993 352 071 00	adjusting screw		2	
3	997 352 721 01	tension spring short		2	
4	997 352 723 02	tension spring long		2	
5	993 352 737 00	bolt		2	
6	997 352 741 01	compression spring		4	
7	997 352 807 00	bracket		2	
8	928 352 090 01	push-button lock complete		2	
		- - - E N D - - -			

Model	Year	MG	SG	Illustration	Restrictions	Update	16:35	25.10.2006	PORSCHE	PET	PORSCHE
gt3-2	07	6	04	604-00		207					

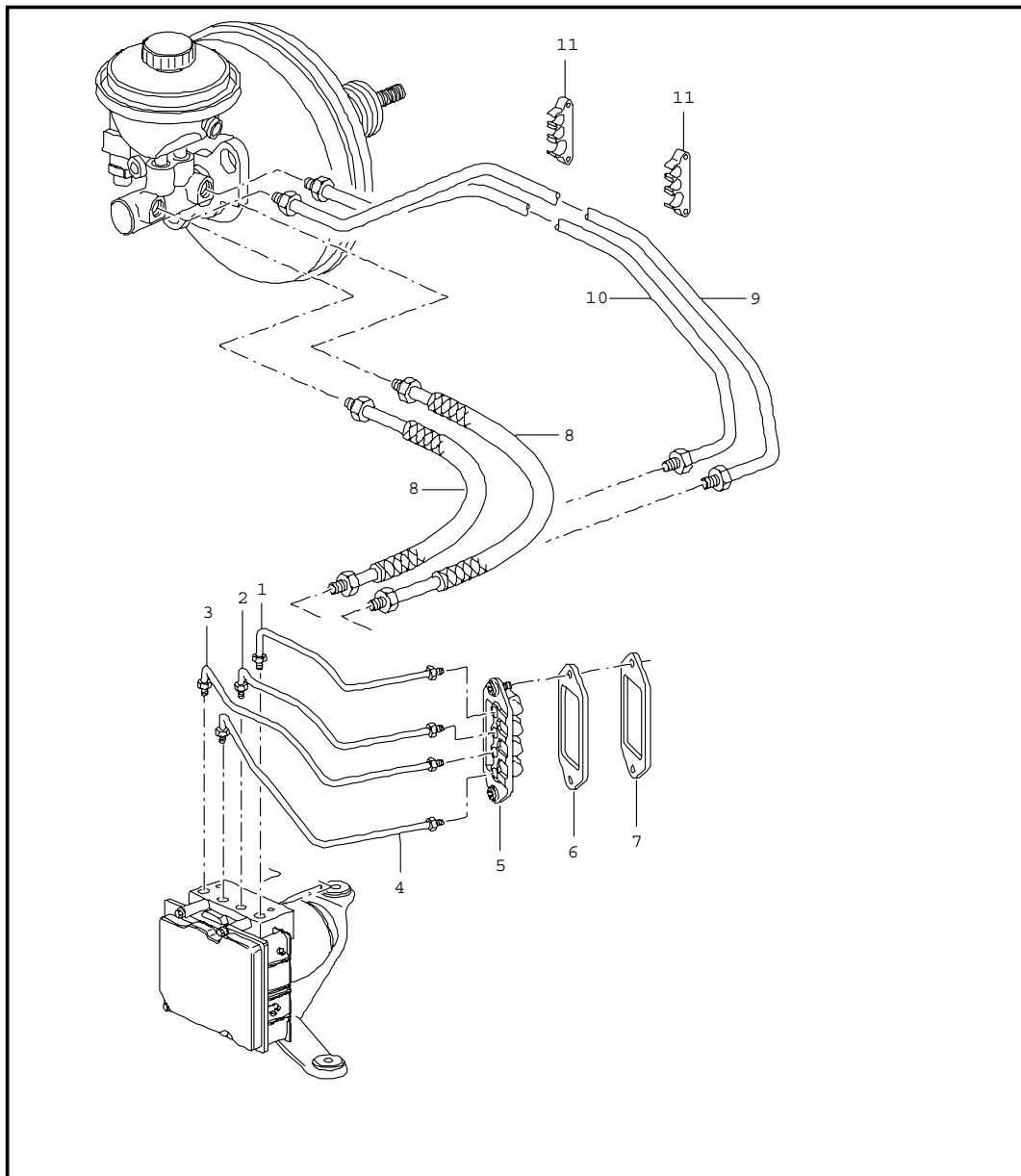


Pos	Part Number	Name	Remarks	Qty	Model
1	997 355 013 01	brake master cylinder brake booster		1	
2	996 355 119 01	catch		1	
-	997 355 125 00	support for contact for container		1	
3	999 073 327 09	pan-head screw M 8 X 197 X 29		2	
4	997 355 923 20	brake booster		1	
-	996 355 137 01	catch threaded joint brake booster		1	
5	997 355 910 30	brake master cylinder		1	
6	993 355 922 00	grommet		2	
7	999 702 182 40	rubber bush		1	
8	997 355 925 00	hexagon nut		2	
9	993 355 212 00	gasket		1	
10	997 355 577 26	vacuum line		1	I098
(10)	997 355 578 25	vacuum line		1	I099
11	997 423 251 00	intermediate piece		1	
12	999 073 189 01	round head screw M 6 X 12		2	
13	999 703 448 50	plug	/R	1	
14	900 380 005 09	hexagon nut M 8		2	
15	900 183 015 02	hexagon nut M 12 X 1,5		1	
-	996 355 901 01	gasket brake booster bulkhead		1	
16	999 512 478 00	hose clamp		1	
17	997 355 969 00	bellows		1	
18	996 355 927 01	connecting piece		1	

Model	Year	MG	SG	Illustration	Restrictions	Update	16:35	25.10.2006	PORSCHE	PET	PORSCHE
gt3-2	07	6	04	604-00		207					

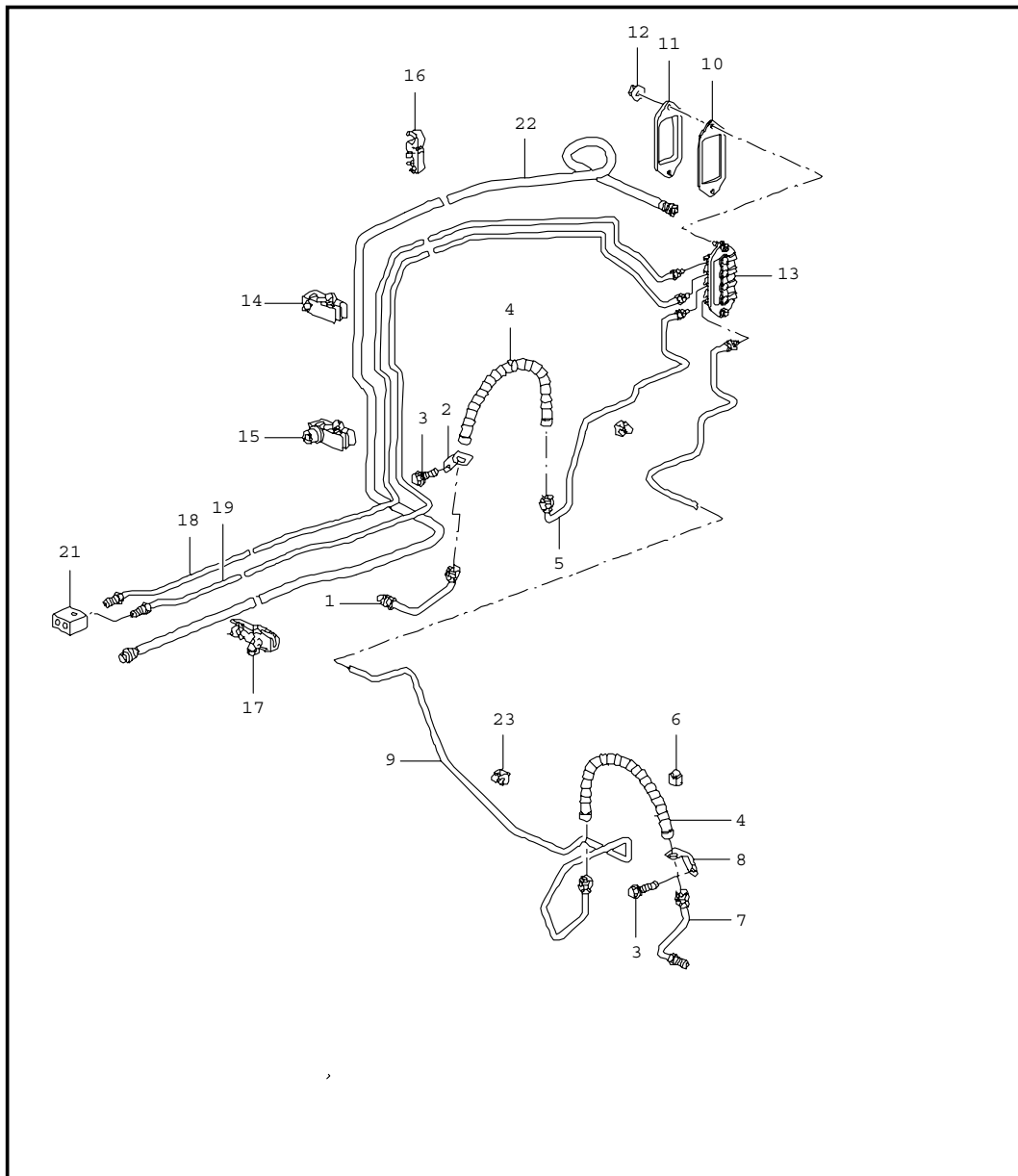
Pos	Part Number	Name	Remarks	Qty	Model	Pos	Part Number	Name	Remarks	Qty	Model
19	900 380 015 09	hexagon nut M 6		1							
20	999 512 672 00	clamp		1							
- - - E N D - - -											

Model	Year	MG	SG	Illustration	Restrictions	Update	16:35	25.10.2006	PORSCHE	PET	PORSCHE
gt3-2	07	6	04	604-05		207					



Pos	Part Number	Name	Remarks	Qty	Model
		brake lines body front section			
(1)	997 355 315 26	brake line		1	I098
1	997 355 315 00	brake line		1	I099
(2)	997 355 316 26	brake line		1	I098
2	997 355 316 00	brake line		1	I099
(3)	997 355 327 27	brake line		1	I098
3	997 355 327 00	brake line		1	I099
(4)	997 355 326 27	brake line		1	I098
4	997 355 326 00	brake line		1	I099
5	997 355 650 00	intermediate piece		1	
6	997 355 752 00	gasket		1	
7	997 355 753 00	reinforcement		1	
8	997 355 311 00	pressure line		2	I098
9	997 355 312 25	pressure line		1	I099
10	997 355 314 25	pressure line		1	I099
11	999 507 632 40	cable holder		2	I099
		- - - E N D - - -			

Model	Year	MG	SG	Illustration	Restrictions	Update	16:35	25.10.2006	PORSCHE	PET	PORSCHE
gt3-2	07	6	04	604-10		207					

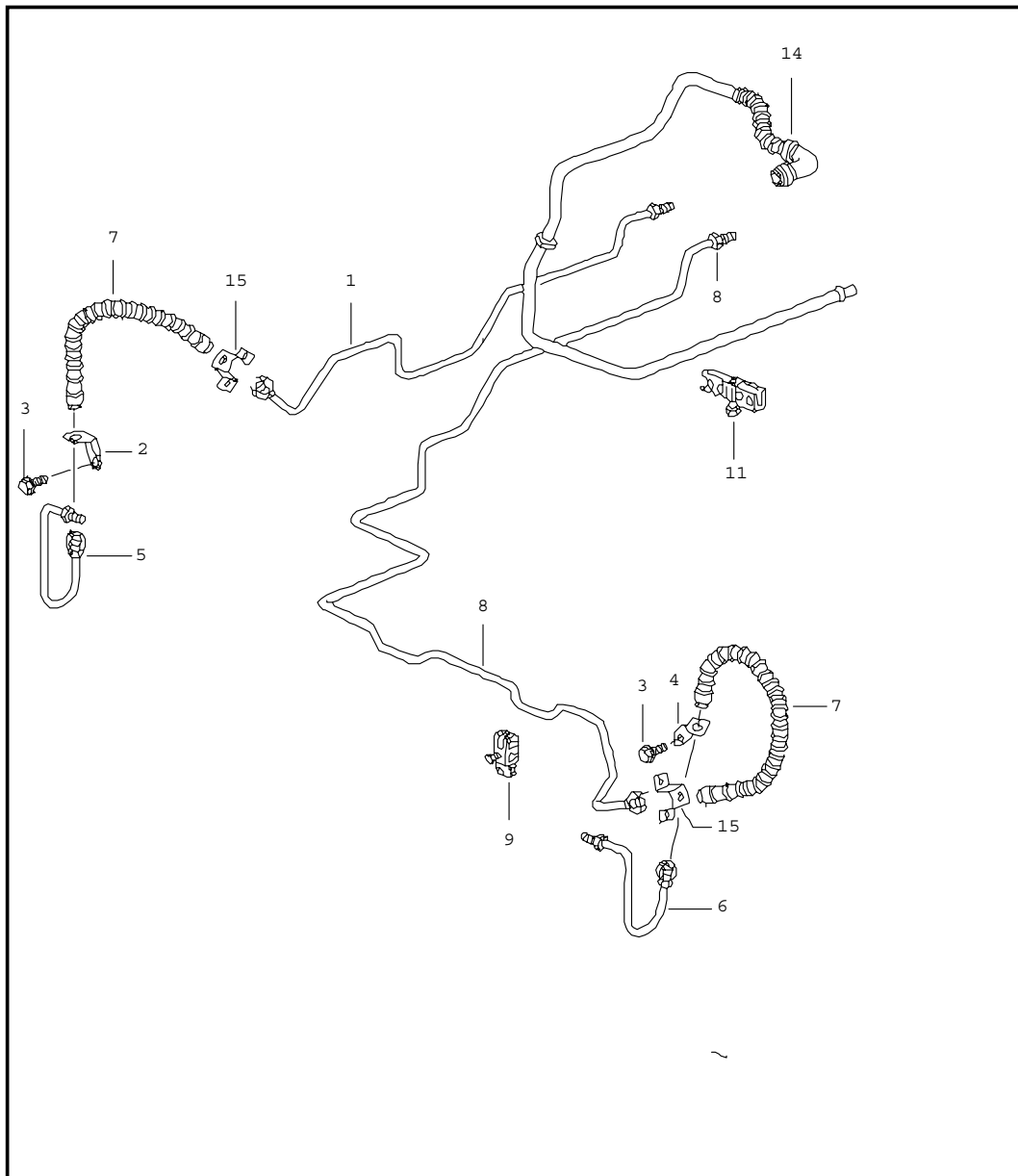


Pos	Part Number	Name	Remarks	Qty	Model
		brake lines			
		brake lines			
		underbody			
		vacuum line			
1	996 355 581 9B	brake line	/L	1	
(1)	997 355 581 92	brake line	/L	1	I450
2	996 355 501 06	brake hose bracket	/L	1	
3	999 217 116 09	hexagon-head bolt M 6 X 16		2	
4	996 355 139 00	brake hose		2	
5	997 355 175 02	brake line	/L	1	
6	999 591 930 40	support		X	
7	996 355 584 9B	brake line	/R	1	
(7)	997 355 582 92	brake line	/R	1	I450
(8)	996 355 502 06	brake hose bracket	/R	1	
9	K 997 355 176 90	brake line		1	
10	997 355 753 00	reinforcement		1	
11	997 355 752 00	gasket		1	
12	900 380 015 09	hexagon nut M 6		3	
13	997 355 650 00	intermediate piece		1	
14	996 355 545 00	support		3	
15	996 355 549 00	support		1	
16	996 355 547 01	support		2	
17	996 355 543 00	support		1	
18	997 355 177 01	brake line		1	
19	997 355 179 01	brake line		1	
21	996 355 760 31	connecting piece		1	
22	997 355 571 01	vacuum line		1	
-	999 702 289 40	grommet wheel housing		1	
23	999 651 331 40	cable holder		5	

Model	Year	MG	SG	Illustration	Restrictions	Update					
gt3-2	07	6	04	604-10		207	16:35	25.10.2006	PORSCHE	PET	PORSCHE

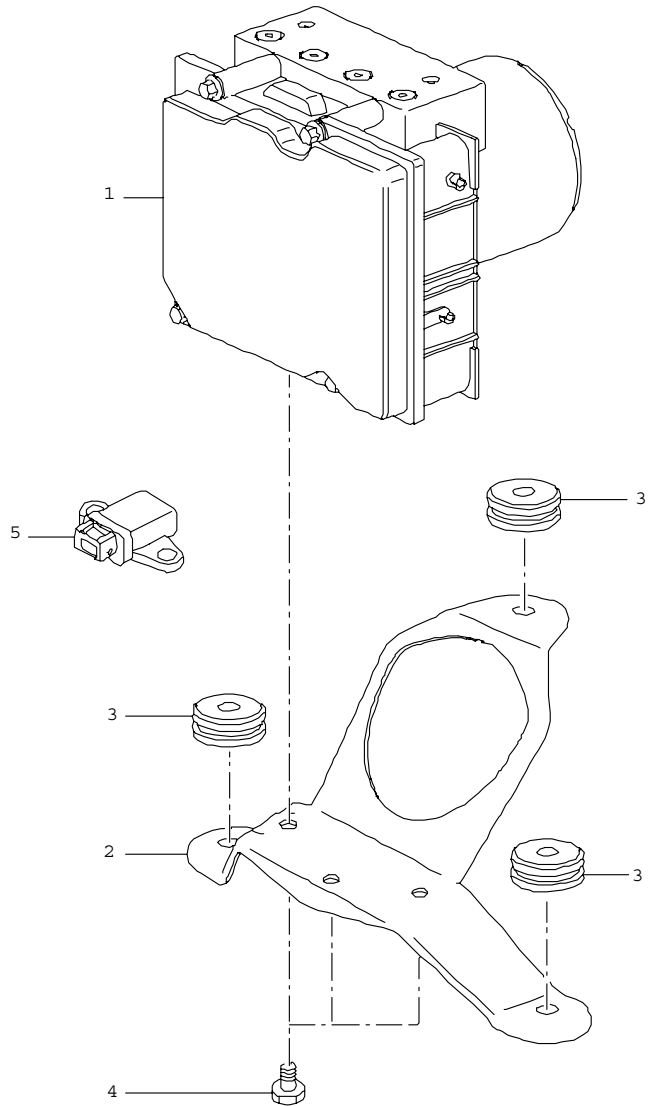
Pos	Part Number	Name	Remarks	Qty	Model	Pos	Part Number	Name	Remarks	Qty	Model
		- - - E N D - - -									

Model	Year	MG	SG	Illustration	Restrictions	Update	16:36	25.10.2006	PORSCHE	PET	PORSCHE
gt3-2	07	6	04	604-15		207					



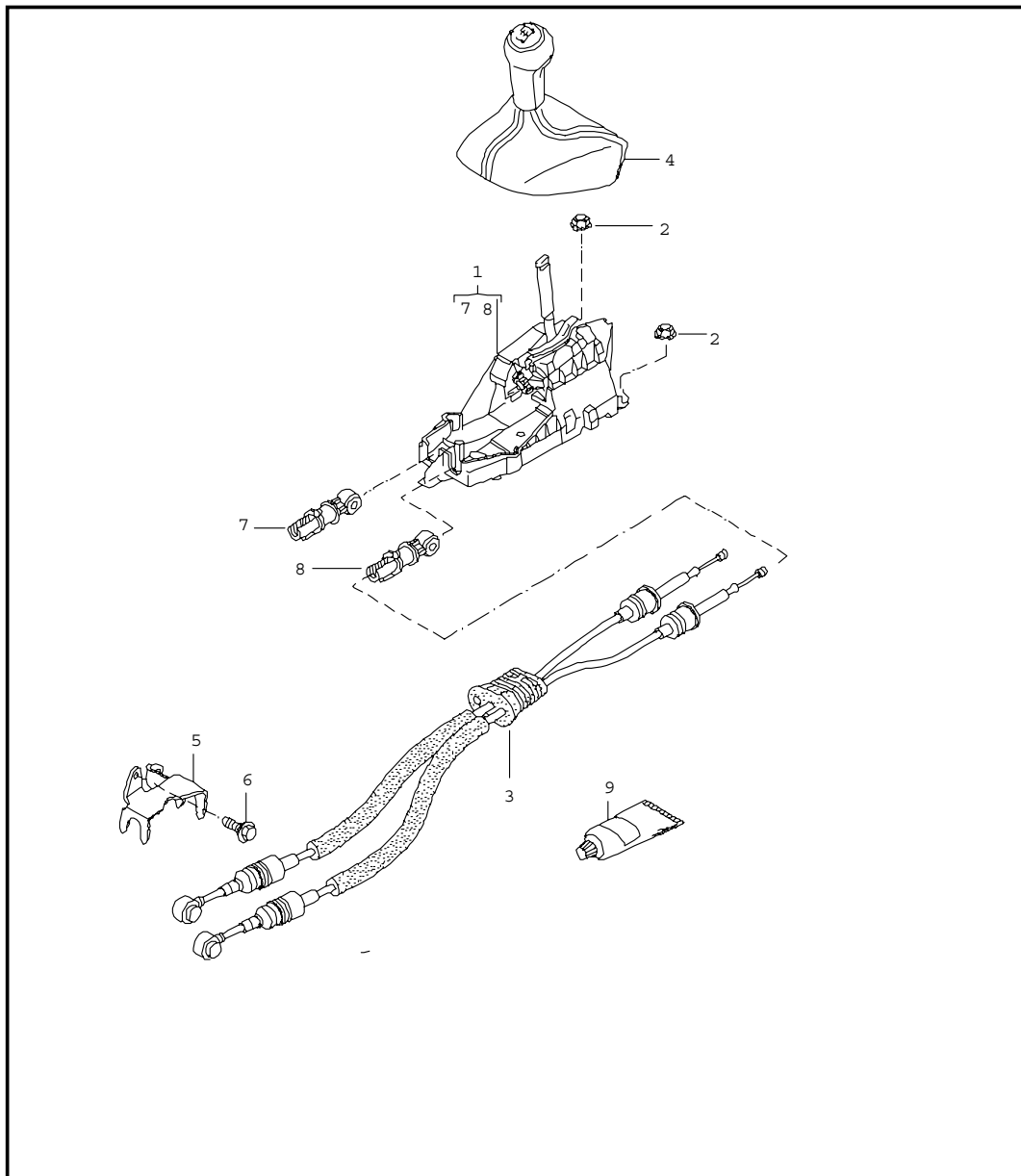
Pos	Part Number	Name	Remarks	Qty	Model
		brake line underbody rear axle vacuum line			
1	997 355 189 00	brake line	/L	1	
2	997 355 503 10	support	/L	1	
3	900 067 117 09	pan-head screw M 6 X 16		2	
4	997 355 504 10	support	/R	1	
5	996 355 585 10	brake line	/L	1	
6	996 355 586 10	brake line	/R	1	
7	996 355 139 00	brake hose		2	
8	997 355 190 02	brake line		1	
9	996 347 543 00	cable holder		3	
11	996 355 543 00	support		1	
14	997 355 575 51	vacuum line		1	
-	999 507 495 40	support		1	
15	996 501 815 02	support		2	
	GRV	prime coated			
		- - - E N D - - -			

Model	Year	MG	SG	Illustration	Restrictions	Update	16:36	25.10.2006	PORSCHE	PET	PORSCHE
gt3-2	07	6	05	605-00		207					



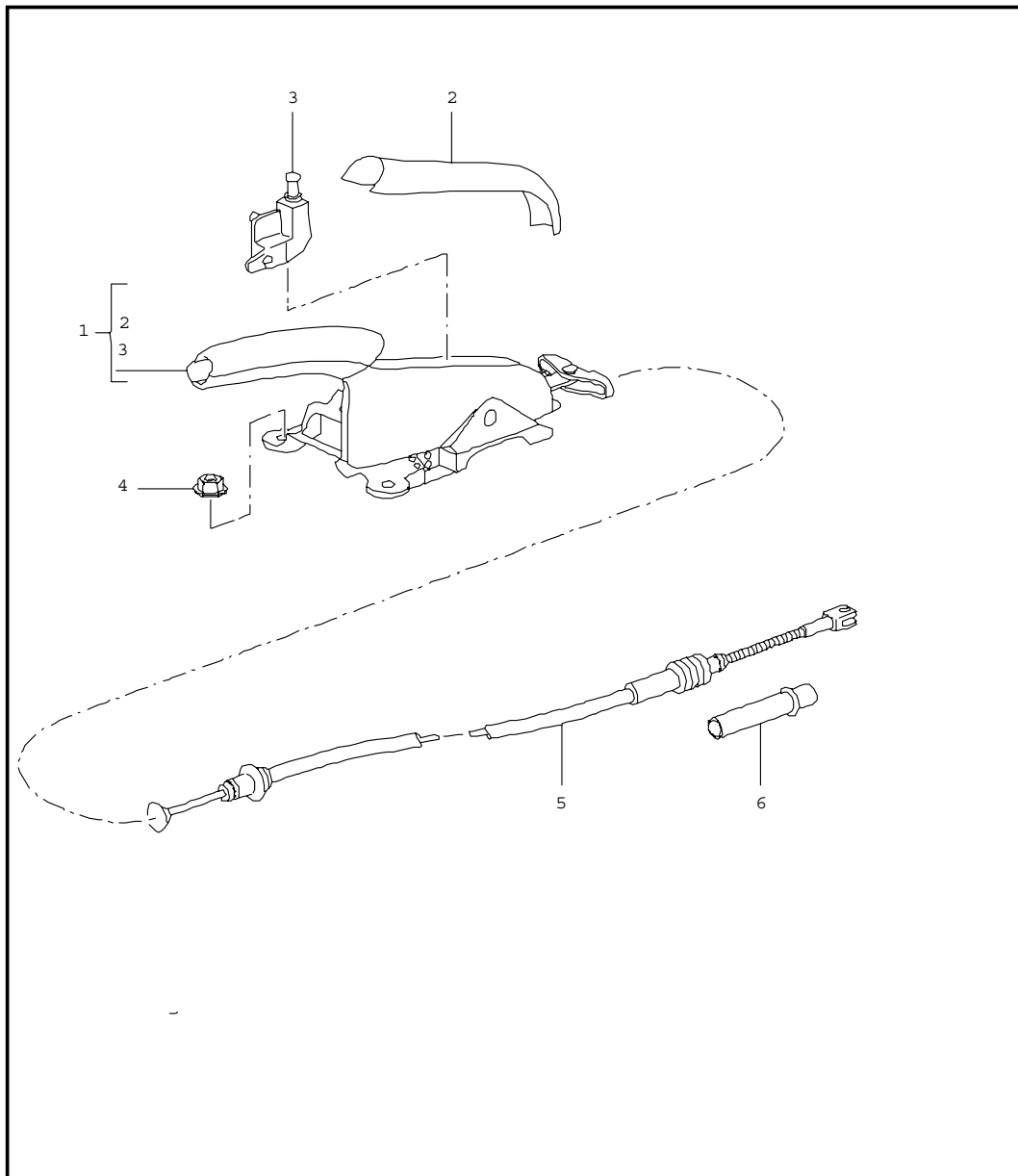
Pos	Part Number	Name	Remarks	Qty	Model
		hydraulic unit anti-lock brake system control			
1	997 355 955 93	hydraulic unit		1	
2	997 355 033 25	support with rubber mounting		1	I098
(2)	997 355 033 00	support with rubber mounting		1	I099
3	964 356 635 00	rubber mounting		3	
4	900 385 060 09	screw BM 6 X 10		3	
5	996 606 145 00	sensor		1	
		- - - E N D - - -			

Model	Year	MG	SG	Illustration	Restrictions	Update	16:36	25.10.2006	PORSCHE	PET	PORSCHE
gt3-2	07	7	01	701-00		207					



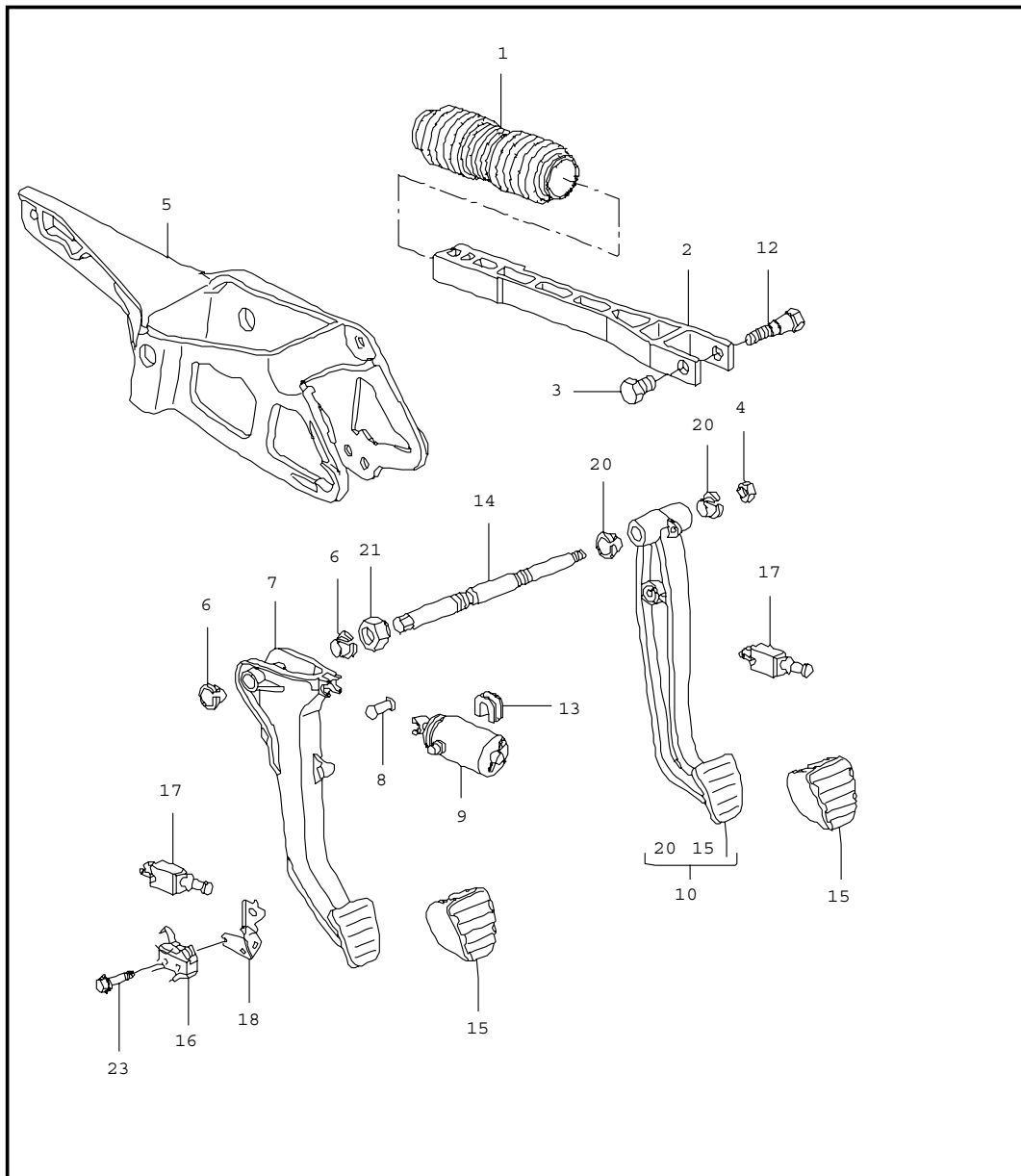
Pos	Part Number	Name	Remarks	Qty	Model
		transmission control manual transmission			
1	997 424 010 00	gearshift bracket		1	
2	999 084 629 09	hexagon nut M 6		4	
3	996 424 041 90	cable transmission control		1	
4	K 997 424 075 90	gearshift knob		1	
	A15	black			
(4)	997 424 981 90	gearshift knob		1	IXGC
	A15	black			
-	996 424 445 00	clip for fastening part		X	
5	996 424 165 9B	bearing bracket		12	
6	900 378 017 09	hexagon-head bolt M 8 X 20		2	
7	996 424 145 01	fastening part for cable adjustable		1	
8	996 424 147 00	fastening part for cable adjustable		1	
9	000 043 205 93	grease 1 tube 100 g		X	
		- - - E N D - - -			

Model	Year	MG	SG	Illustration	Restrictions	Update	16:36	25.10.2006	PORSCHE	PET	PORSCHE
gt3-2	07	7	01	701-05		207					



Pos	Part Number	Name	Remarks	Qty	Model
		handbrake actuator			
1	K 997 424 031 90	parking-brake lever complete		1	
	A15	black			
(1)	997 424 980 90	parking-brake lever complete	/LL	1	IXGD/I098
	A15	black			
(1)	997 424 980 91	parking-brake lever complete	/RL	1	IXGD/I099
	A15	black			
2	K 997 424 155 90	cover		1	
	A15	black			
3	996 613 112 01	switch		1	
4	999 084 630 09	hexagon nut m 8		4	
5	997 424 141 06	parking-brake cable		2	
6	996 424 721 02	guide tube		2	
		- - - E N D - - -			

Model	Year	MG	SG	Illustration	Restrictions	Update	16:37	25.10.2006	PORSCHE	PET	PORSCHE
gt3-2	07	7	02	702-00		207					

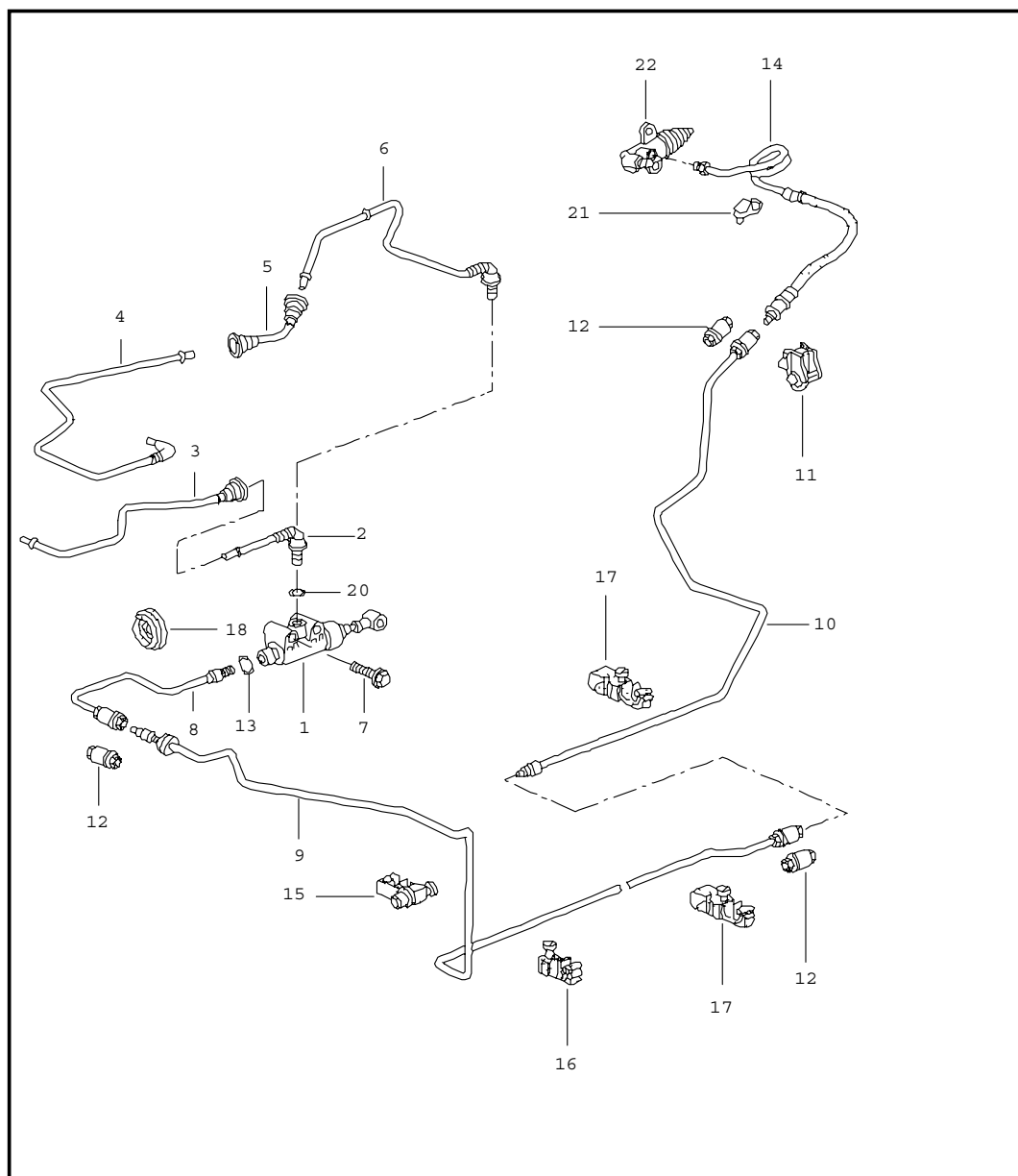


Pos	Part Number	Name	Remarks	Qty	Model
-	000 043 206 17	grease l tube		X	
1	...	bellows see illustrations 6/04/00		1	
2	996 423 165 05	push rod		1	
3	996 423 307 00	sleeve		1	
4	900 380 005 09	hexagon nut M 8		3 2	
5	997 423 571 02	bracket for clutch power spring		1	
6	997 423 399 01	bush		2	
7	997 423 139 01	clutch pedal		1	
8	996 423 315 06	bolt		1	
-	999 166 022 02	kl-lock for bolt		1	
9	997 423 081 06	clutch power spring		1	
10	997 423 091 04	brake pedal		1	I098
(10)	997 423 092 04	brake pedal		1	I099
12	996 423 308 00	bolt		1	
13	997 423 581 00	bearing shell		1	
14	997 423 281 00	axle		1	I098
(14)	997 423 284 00	axle		1	I099
-	996 423 277 00	sleeve brake pedal		1	I099
15	997 423 910 00	cap		2	
16	997 613 109 00	switch		1	
17	996 613 113 01	switch brake pedal		2	
(17)	996 613 114 01	switch clutch pedal		1	
18	997 423 541 00	support		1	

Model	Year	MG	SG	Illustration	Restrictions	Update					
gt3-2	07	7	02	702-00		207	16:37	25.10.2006	PORSCHE	PET	PORSCHE

Pos	Part Number	Name	Remarks	Qty	Model	Pos	Part Number	Name	Remarks	Qty	Model
20	997 423 401 00	bush		2	I098						
(20)	997 423 402 00	bush		2	I099						
21	997 423 275 01	screw plug		1							
22	900 378 273 09	hexagon-head bolt M 6 X 18		1							
23	900 146 159 02	round head screw M 3 X 20		1							
24	997 423 695 00	rubber stop		1							
25	997 423 697 00	rubber stop		1							
		- - - E N D - - -									

Model	Year	MG	SG	Illustration	Restrictions	Update	16:37	25.10.2006	PORSCHE	PET	PORSCHE
gt3-2	07	7	02	702-08		207					

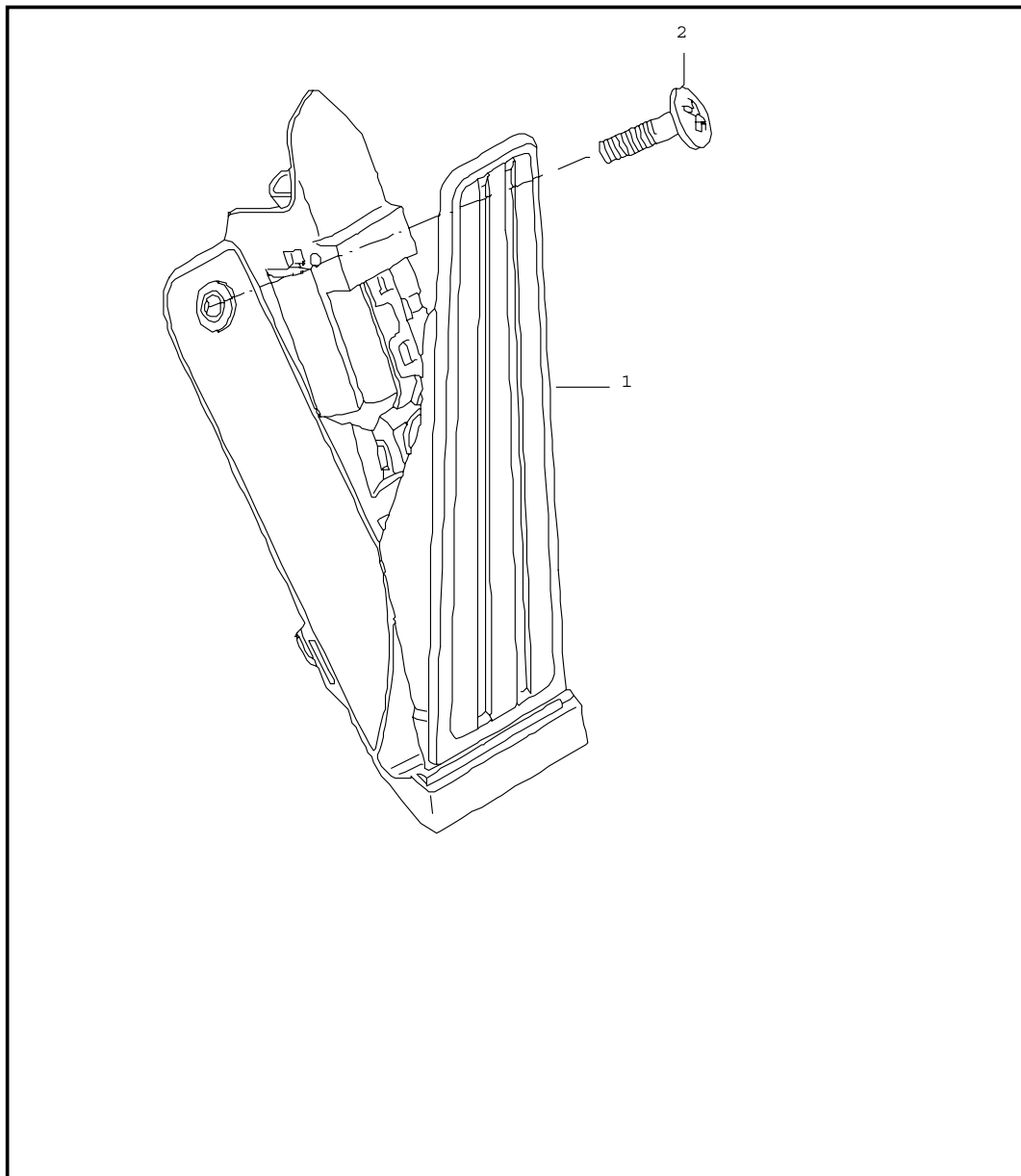


Pos	Part Number	Name	Remarks	Qty	Model
1	997 423 171 01	clutch control clutch master cylinder clutch pipeline		1	
-	996 423 614 00	clutch master cylinder		1	
-	996 423 315 06	clutch pipeline		1	
-	999 166 022 02	pressure line		1	
-	999 166 022 02	bolt		1	
-	999 166 022 02	kl-lock for bolt		1	
2	997 423 147 00	feed line		1	I098
3	997 423 137 25	feed line		1	I098
4	997 423 138 25	line		1	I099
5	996 423 140 02	line		1	I099
6	996 423 142 02	feed line		1	I099
7	900 378 217 09	hexagon-head bolt M 6 X 40		2	
8	996 423 107 10	clutch pipeline		1	I098
(8)	997 423 108 00	clutch pipeline		1	I099
-	999 702 174 50	grommet		1	I098
9	997 423 109 00	clutch pipeline		1	
10	997 423 113 00	clutch pipeline		1	
11	999 507 495 40	support		1	
12	999 230 541 10	threaded joint		3	
13	999 707 333 40	sealing ring		1	
14	996 423 377 90	clutch hose		1	
15	996 355 549 00	support		1	
16	996 355 545 00	support		2	
17	996 355 543 00	support		4	
18	999 702 216 42	grommet		1	
-	999 507 586 40	cable holder		1	
20	999 707 333 40	sealing ring 6,07 X 1,78N		1	

Model	Year	MG	SG	Illustration	Restrictions	Update	16:37	25.10.2006	PORSCHE	PET	PORSCHE
gt3-2	07	7	02	702-08		207					

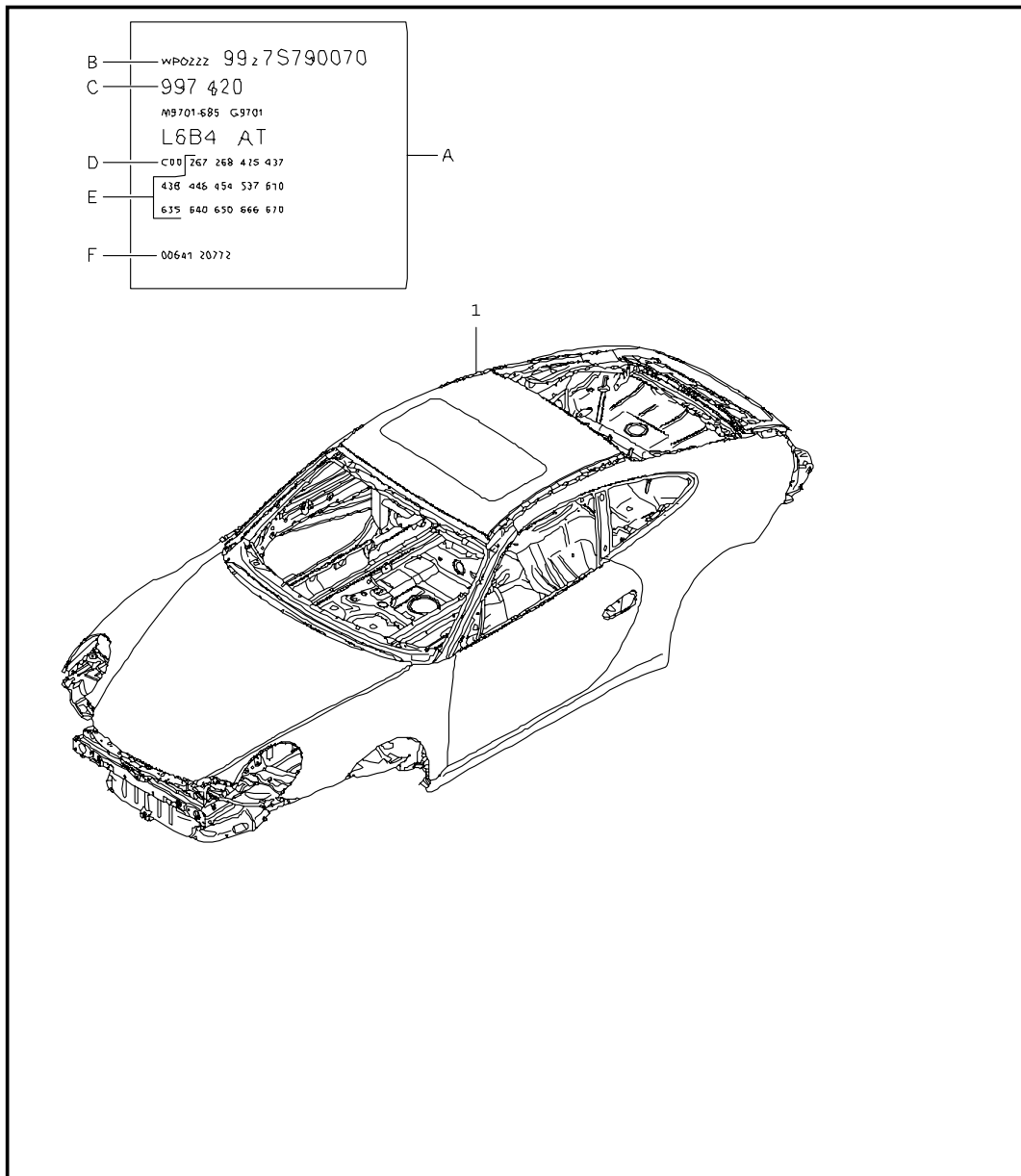
Pos	Part Number	Name	Remarks	Qty	Model	Pos	Part Number	Name	Remarks	Qty	Model
21	999 507 586 40	cable holder		1							
22	996 116 237 90	clutch operating cylinder		1							
-	900 075 222 09	hexagon-head bolt M 8 X 30		2							
		- - - E N D - - -									

Model	Year	MG	SG	Illustration	Restrictions	Update	16:37	25.10.2006	PORSCHE	PET	PORSCHE
gt3-2	07	7	02	702-10		207					



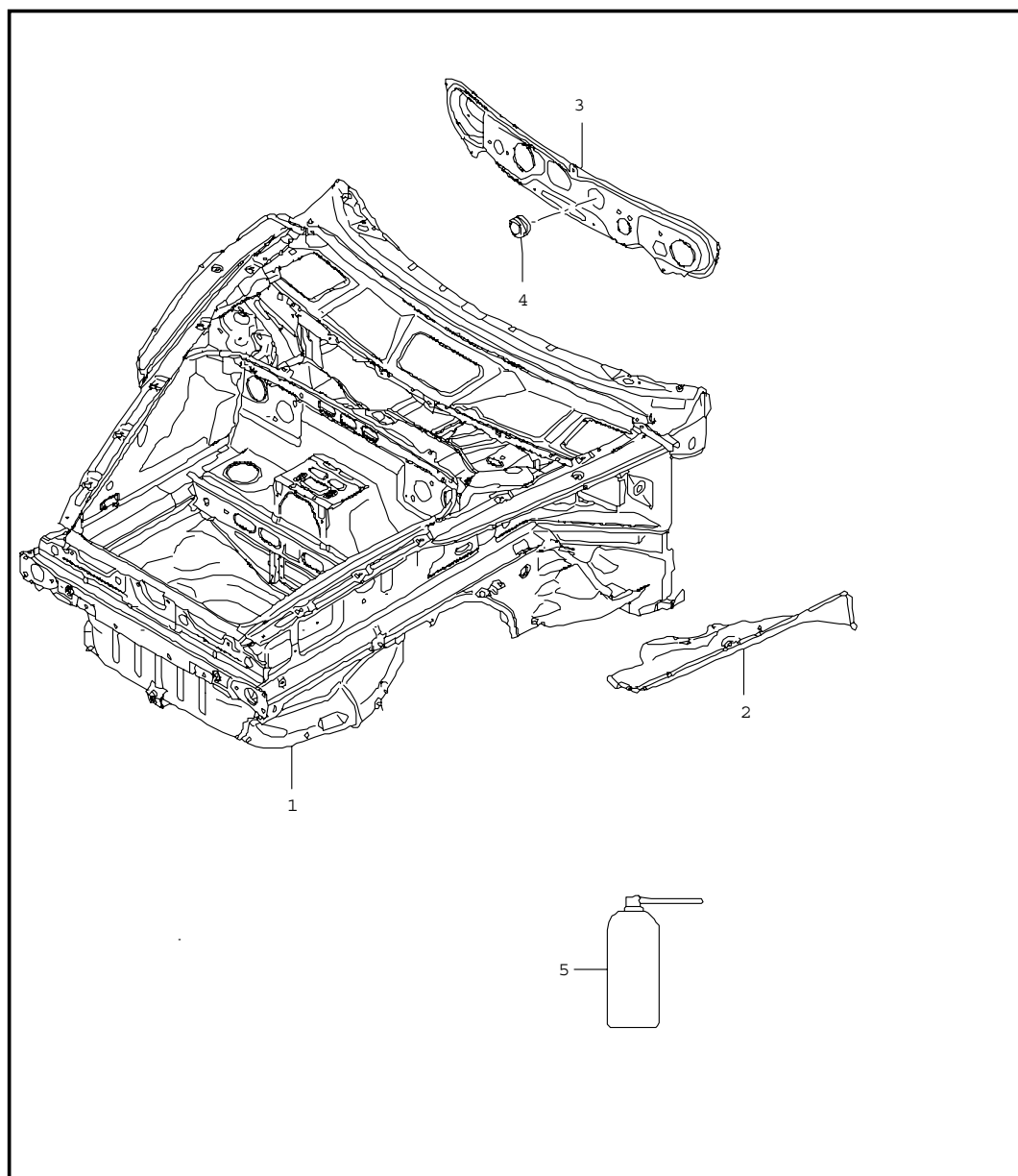
Pos	Part Number	Name	Remarks	Qty	Model
		pedals accelerator control			
1	997 423 019 02	accelerator control		1	
2	900 146 161 09	round head screw M 6 X 20		1	
		- - - E N D - - -			

Model	Year	MG	SG	Illustration	Restrictions	Update	16:37	25.10.2006	PORSCHE	PET	PORSCHE
gt3-2	07	8	01	801-00		207					



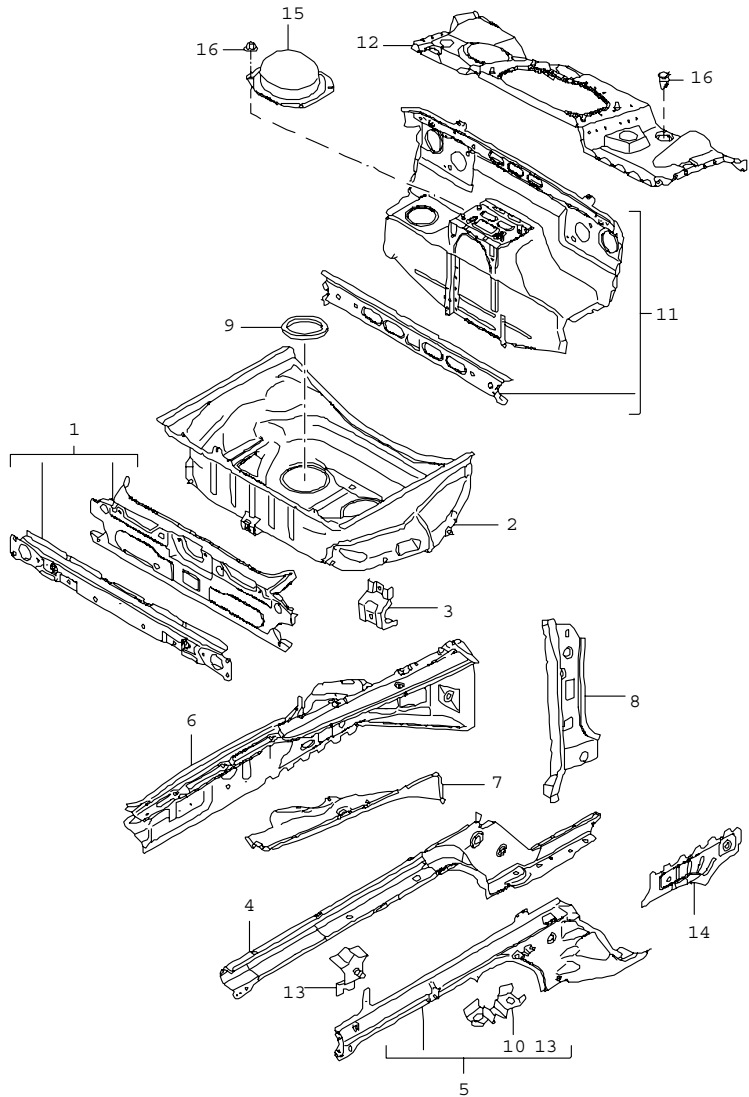
Pos	Part Number	Name	Remarks	Qty	Model
		body in white			
		prime coated sealed with underbody protection with doors/lids/wings			
		bodyshells can only be delivered of the current model year			
		the data (b-f) that you need for your order please find in the data vehicle data bank in on-board folder please indicate this data in your order			
A	-	data bank of the car			
B	-	vehicle identification no.			
C	-	order type			
D	-	country equipment			
E	-	optional extras			
F	-	additional applications			
1	997 500 900 00	body in white		1	
	GRV	prime coated			
		- - - E N D - - -			

Model	Year	MG	SG	Illustration	Restrictions	Update	16:37	25.10.2006	PORSCHE	PET	PORSCHE
gt3-2	07	8	01	801-05		207					



Pos	Part Number	Name	Remarks	Qty	Model
1	997 501 911 91	body front section	/LL	1	
	GRV	prime coated use also: sealing compound Pos. 5 processing instructions see technical manual			
1	997 501 911 92	body front section	/RL	1	
	GRV	prime coated use also: sealing compound Pos. 5 processing instructions see technical manual			
2	997 501 945 00	lower part	/L	1	
	GRV	prime coated			
(2)	997 501 946 01	lower part	/R	1	
	GRV	prime coated			
3	997 504 121 00	cover	/LL	1	
(3)	997 504 121 01	cover	/RL	1	
		use also:			
--	000 043 300 94	adhesive set		1	
4	999 702 255 41	cover 62,5 X 72,6		1	
5	999 915 337 40	sealing compound		1	
		- - - E N D - - -			

Model	Year	MG	SG	Illustration	Restrictions	Update	16:38	25.10.2006	PORSCHE	PET	PORSCHE
gt3-2	07	8	01	801-10		207					

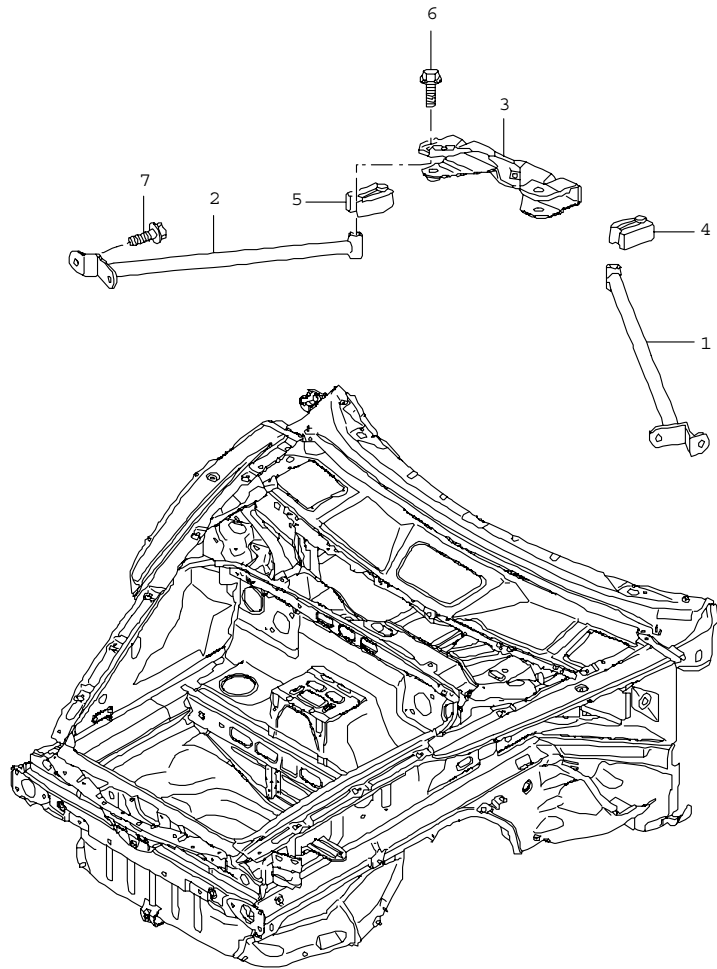


Pos	Part Number	Name	Remarks	Qty	Model
		body front section single parts			
1	997 501 931 00	terminal piece		1	
	GRV	prime coated			
2	997 501 979 00	spare-wheel well		1	
	GRV	prime coated			
3	996 501 621 00	support		3	
	GRV	prime coated			
4	997 501 305 01	side member	/L	1	
	GRV	prime coated			
(4)	997 501 306 01	side member	/R	1	
	GRV	prime coated			
5	997 501 915 01	side member	/L	1	
	GRV	prime coated			
(5)	997 501 916 01	side member	/R	1	
	GRV	prime coated			
6	997 501 935 00	wheel housing	/L	1	
	GRV	prime coated			
(6)	997 501 936 01	wheel housing	/R	1	
	GRV	prime coated			
7	997 501 945 00	lower part	/L	1	
	GRV	prime coated			
(7)	997 501 946 01	lower part	/R	1	
	GRV	prime coated			
8	997 501 937 00	hinge pillar	/L	1	
	GRV	prime coated			
(8)	997 501 938 00	hinge pillar	/R	1	
	GRV	prime coated			
9	996 504 201 01	cover § 145 MM		2	

Model	Year	MG	SG	Illustration	Restrictions	Update	16:38	25.10.2006	PORSCHE	PET	PORSCHE
gt3-2	07	8	01	801-10		207					

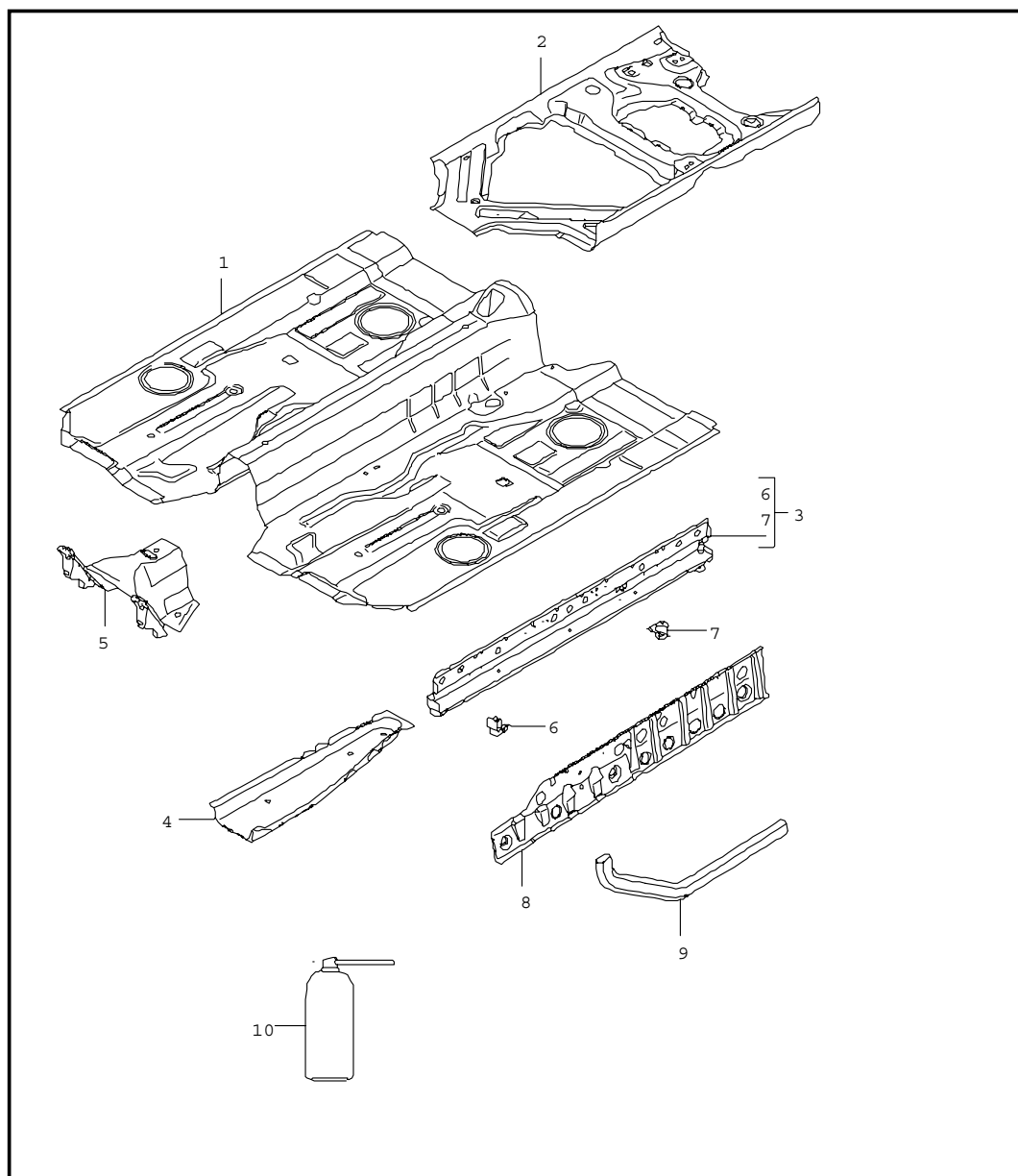
Pos	Part Number	Name	Remarks	Qty	Model	Pos	Part Number	Name	Remarks	Qty	Model
10	996 501 815 02	support		2							
	GRV	prime coated									
11	997 502 915 00	bulkhead	/LL	1							
	GRV	prime coated									
(11)	997 502 915 01	bulkhead	/RL	1							
	GRV	prime coated									
12	997 502 017 00	cross panel		1							
	GRV	prime coated									
13	996 501 341 00	support		2							
	GRV	prime coated									
14	997 501 665 01	separator	/L	1							
	GRV	prime coated									
(14)	997 501 666 01	separator	/R	1							
	GRV	prime coated									
15	997 504 471 00	cover bulkhead		1							
16	999 703 476 40	grommet 29,8 X 1,0		4							
		- - - E N D - - -									

Model	Year	MG	SG	Illustration	Restrictions	Update	16:38	25.10.2006	PORSCHE	PET	PORSCHE
gt3-2	07	8	01	801-15		207					



Pos	Part Number	Name	Remarks	Qty	Model
		dome strut			
1	996 504 233 01	dome strut	/L	1	
2	996 504 234 01	dome strut	/R	1	
3	997 504 359 00	bracket		1	
4	996 504 633 00	filler piece	/L	1	
5	996 504 634 00	filler piece	/R	1	
6	900 378 100 09	hexagon-head bolt AM 10 X 45		2	
7	900 075 010 09	hexagon-head bolt M 6 X 12		4	
- - - E N D - - -					

Model	Year	MG	SG	Illustration	Restrictions	Update	16:38	25.10.2006	PORSCHE	PET	PORSCHE
gt3-2	07	8	01	801-20		207					

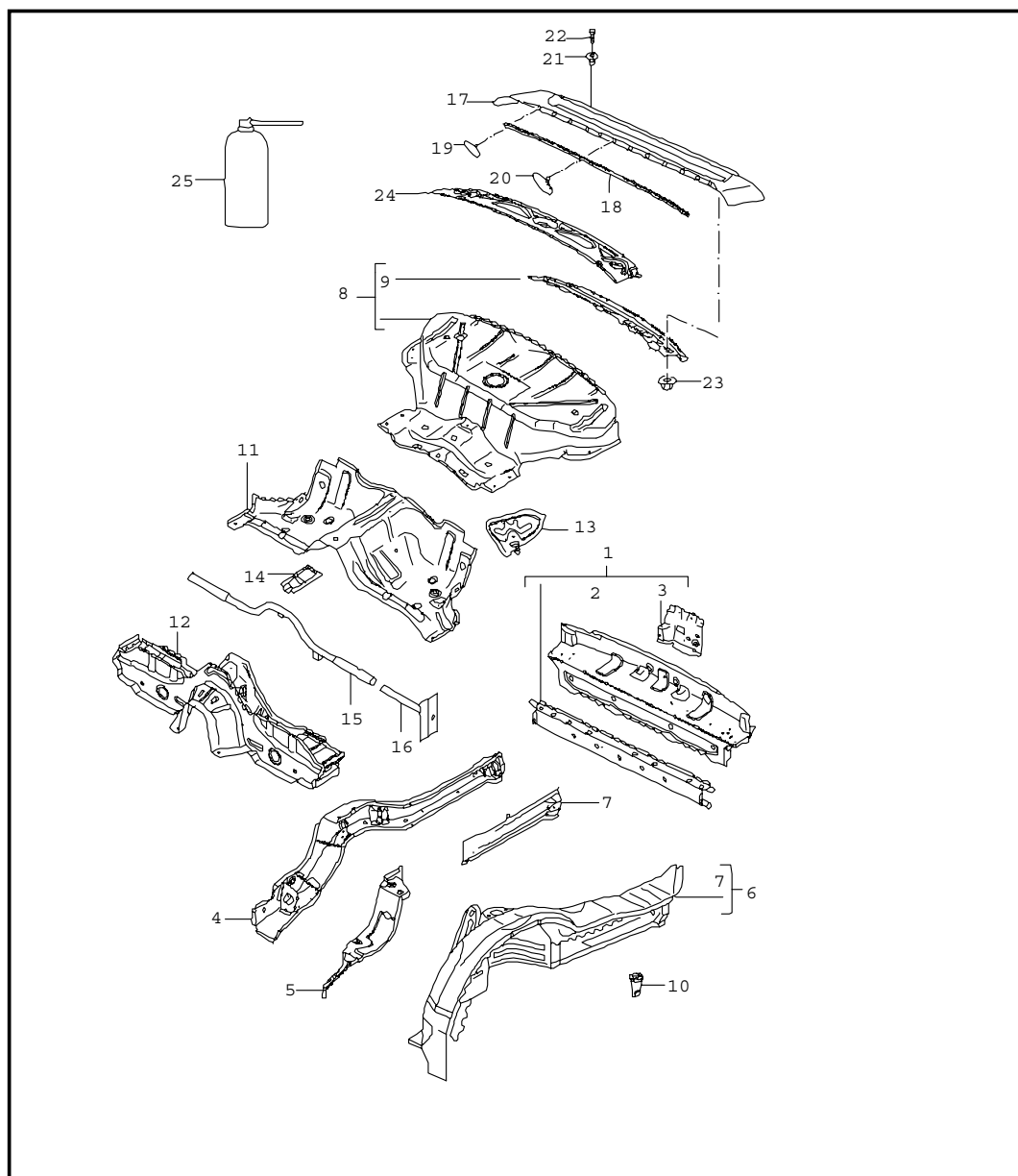


Pos	Part Number	Name	Remarks	Qty	Model
		floor centre			
-	000 043 206 29	adhesive set body comprising:		X	
-	000 043 206 30	adhesive		1	
-	000 043 206 31	tool		1	
-	000 043 206 32	tool		1	
-	000 043 206 33	activator		1	
1	997 501 551 01	floor		1	
	GRV	prime coated			
(2)	997 501 953 01	seat support	/L	1	
	GRV	prime coated			
2	997 501 954 01	seat support	/R	1	
	GRV	prime coated			
3	997 501 157 00	side member	/L	1	
	GRV	prime coated			
(3)	997 501 158 00	side member	/R	1	
	GRV	prime coated			
4	997 501 525 00	side member	/L	1	
	GRV	prime coated			
(4)	997 501 526 00	side member	/R	1	
	GRV	prime coated			
5	996 501 751 00	extension		1	
	GRV	prime coated			
6	996 501 785 00	jacking point	/L/V	1	
	GRV	prime coated			
(6)	996 501 786 00	jacking point	/R/V	1	
	GRV	prime coated			
7	996 501 481 01	jacking point	/L/H	1	
	GRV	prime coated			

Model	Year	MG	SG	Illustration	Restrictions	Update	16:38	25.10.2006	PORSCHE	PET	PORSCHE
gt3-2	07	8	01	801-20		207					

Pos	Part Number	Name	Remarks	Qty	Model	Pos	Part Number	Name	Remarks	Qty	Model
(7)	996 501 482 01	jacking point	/R/H	1							
	GRV	prime coated									
8	997 501 329 00	retaining bracket	/L	1							
	GRV	prime coated									
(8)	997 501 330 00	retaining bracket	/R	1							
	GRV	prime coated									
9	997 501 439 00	support tube		2							
	GRV	prime coated									
		use also:									
		sealing compound									
		Pos. 10									
		processing instructions									
		see technical manual									
		51 49 55									
10	999 915 337 40	sealing compound		1							
		- - - E N D - - -									

Model	Year	MG	SG	Illustration	Restrictions	Update	16:38	25.10.2006	PORSCHE	PET	PORSCHE
gt3-2	07	8	01	801-35		207					

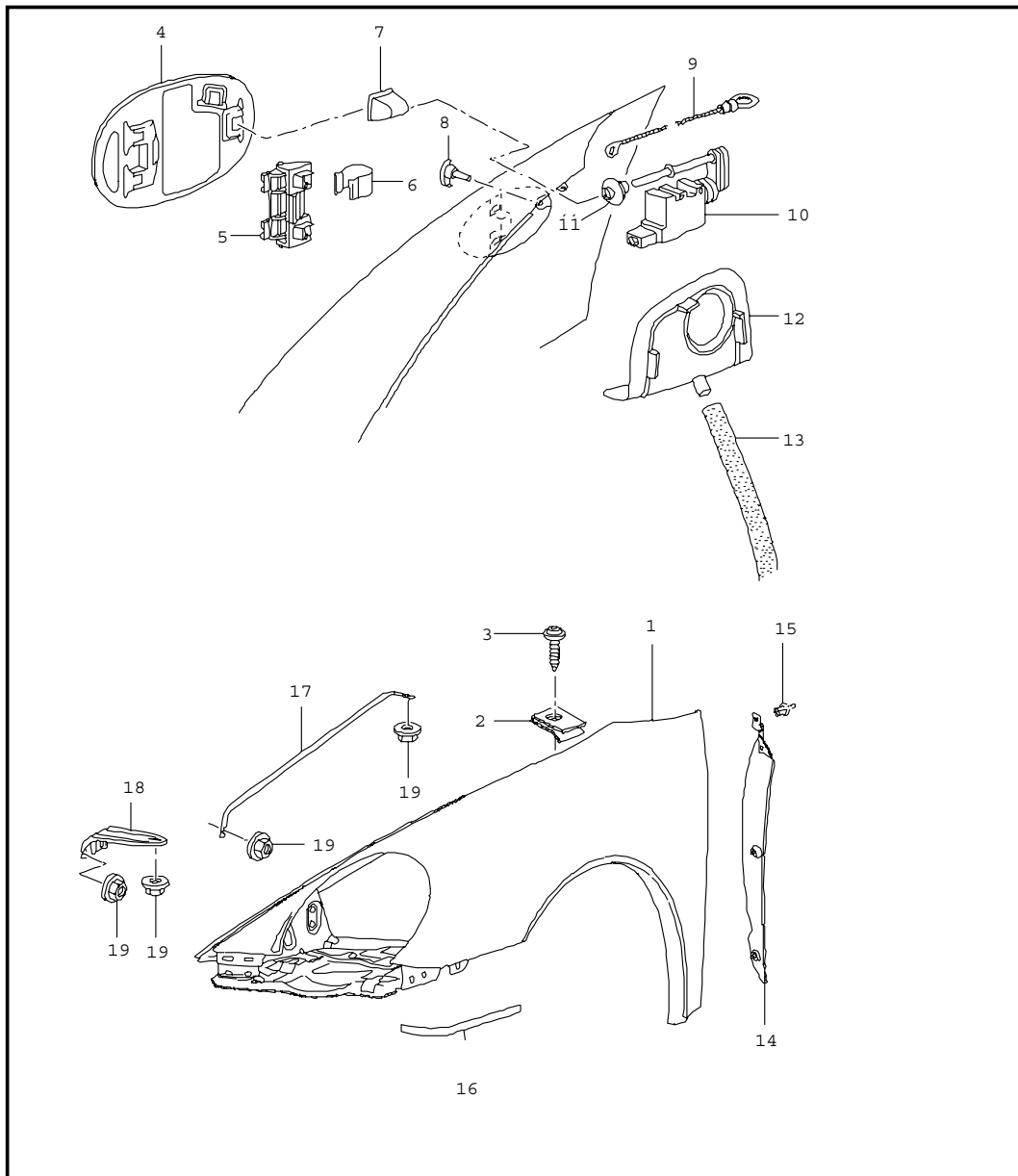


Pos	Part Number	Name	Remarks	Qty	Model
		rear end			
1	997 501 973 01	terminal piece		1	
	GRV	prime coated			
2	997 501 273 00	end plate		1	
	GRV	prime coated			
3	997 501 247 00	lock carrier		1	
	GRV	prime coated			
4	997 501 977 00	side member	/L	1	
	GRV	prime coated use also: sealing compound Pos. 31 processing instructions see technical manual 53 48 55			
(4)	997 501 978 00	side member	/R	1	
	GRV	prime coated use also: sealing compound Pos. 31 processing instructions see technical manual 53 48 55			
5	996 501 933 00	side member	/L	1	
	GRV	prime coated outer			
(5)	996 501 934 00	side member	/R	1	
	GRV	prime coated outer			
6	997 501 943 00	wheel housing	/L	1	
	GRV	prime coated it is necessary to rework see workshop manual			
(6)	997 501 944 00	wheel housing	/R	1	
	GRV	prime coated it is necessary to rework see workshop manual			
7	996 501 595 01	side member	/L	1	

Model	Year	MG	SG	Illustration	Restrictions	Update	16:38	25.10.2006	PORSCHE	PET	PORSCHE
gt3-2	07	8	01	801-35		207					

Pos	Part Number	Name	Remarks	Qty	Model	Pos	Part Number	Name	Remarks	Qty	Model
		GRV prime coated				18	997 504 612 00	gasket rear centre panel prime coated		1	
(7)	996 501 596 01	side member	/R	1							
		GRV prime coated				19	999 507 973 40	mount 2,8 X 6 X 30		2	
8	997 502 911 02	rear wall		1		20	999 507 974 40	mount 2,8 X 6 X 50		10	
		GRV prime coated order also: POS. 12 see workshop manual				21	999 500 109 02	blind rivet nut M 6/0,8 - 3		3	
9	997 502 673 00	cross member		1		22	999 073 263 09	screw M 6 X 12		3	
		GRV prime coated				23	999 076 029 02	hexagon nut M 6		2	
10	996 561 825 00	water drain valve wheel housing rear		2	I650	24	997 502 409 01	filler plate		1	
11	997 501 549 00	seat well		1				GRV prime coated rear centre panel use also:			
		GRV prime coated				-	999 915 650 40	adhesive TEROMIX 6700		X	
12	997 501 955 00	cross member seat well		1		-	000 043 300 48	tool		X	
		GRV prime coated				-	000 043 206 29	adhesive set body comprising:		X	
13	996 501 461 02	reinforcement seat well	/L	1		-	000 043 206 30	adhesive		1	
		GRV prime coated				-	000 043 206 31	tool		1	
(13)	996 501 462 02	reinforcement seat well	/R	1		-	000 043 206 32	tool		1	
		GRV prime coated				-	000 043 206 33	activator		1	
14	996 501 659 01	bracket		1		25	999 915 337 40	sealing compound		1	
		GRV prime coated						- - - E N D - - -			
15	996 501 411 00	pipe		1							
		GRV prime coated									
16	996 501 415 00	sleeve		2							
		GRV prime coated									
17	997 504 345 03	rear centre panel		1							
		GRV prime coated									

Model	Year	MG	SG	Illustration	Restrictions	Update	16:39	25.10.2006	PORSCHE	PET	PORSCHE
gt3-2	07	8	01	801-40		207					

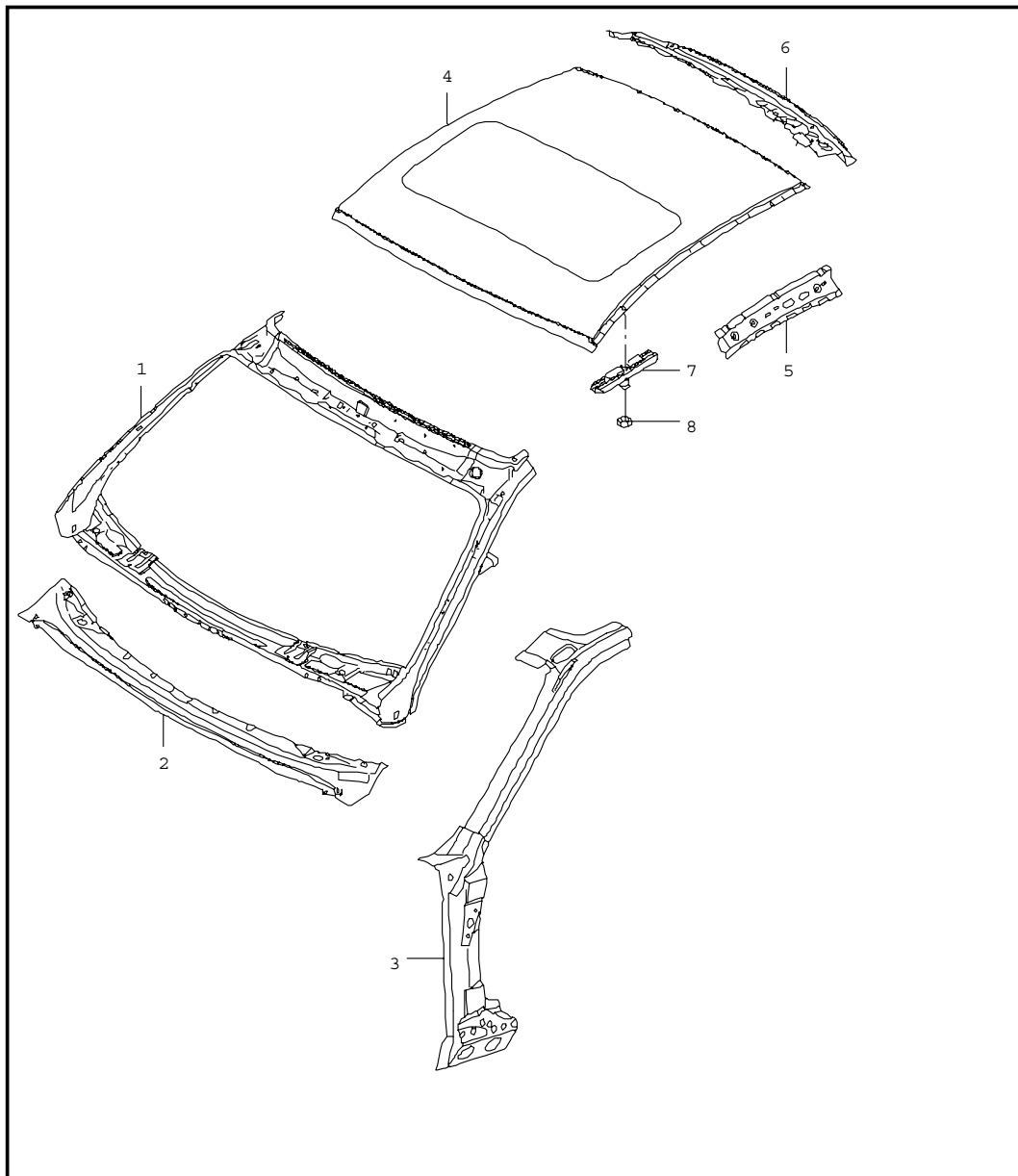


Pos	Part Number	Name	Remarks	Qty	Model
1	997 503 031 00	wing	/L	1	
		GRV prime coated			
(1)	997 503 032 02	wing	/R	1	
		GRV prime coated			
2	999 507 003 02	speed nut ST 6,3		22	
3	999 073 128 02	tapping screw ST 6,3 X 14		22	
4	997 504 134 00	fuel filler flap		1	
		GRV prime coated			
5	996 201 063 00	hinge		1	
6	996 201 413 01	spring		1	
7	996 201 423 00	cap		1	
8	997 504 888 01	rubber stop		1	
9	996 201 493 00	emergency operation		1	
10	997 624 113 00	actuator		1	
11	997 624 505 00	guide rose		1	
12	997 201 667 00	sleeve		1	
13	996 201 153 00	hose		1	
14	997 504 641 02	cover	/L	1	
		01C black			
(14)	997 504 642 02	cover	/R	1	
		01C black			
15	999 591 712 40	expansion rivet A 6,0 X 12,0		6	
16	997 504 531 00	protective film	/L	1	
(16)	997 504 532 00	protective film	/R	1	
17	997 504 441 00	strut		2	
		GRV prime coated			
18	997 504 555 00	bracket		2	

Model	Year	MG	SG	Illustration	Restrictions	Update	16:39	25.10.2006	PORSCHE	PET	PORSCHE
gt3-2	07	8	01	801-40		207					

Pos	Part Number	Name	Remarks	Qty	Model	Pos	Part Number	Name	Remarks	Qty	Model
19	999 076 066 09	GRV prime coated hexagon nut M 6		10							
		- - - E N D - - -									

Model	Year	MG	SG	Illustration	Restrictions	Update	16:39	25.10.2006	PORSCHE	PET	PORSCHE
gt3-2	07	8	01	801-45		207					

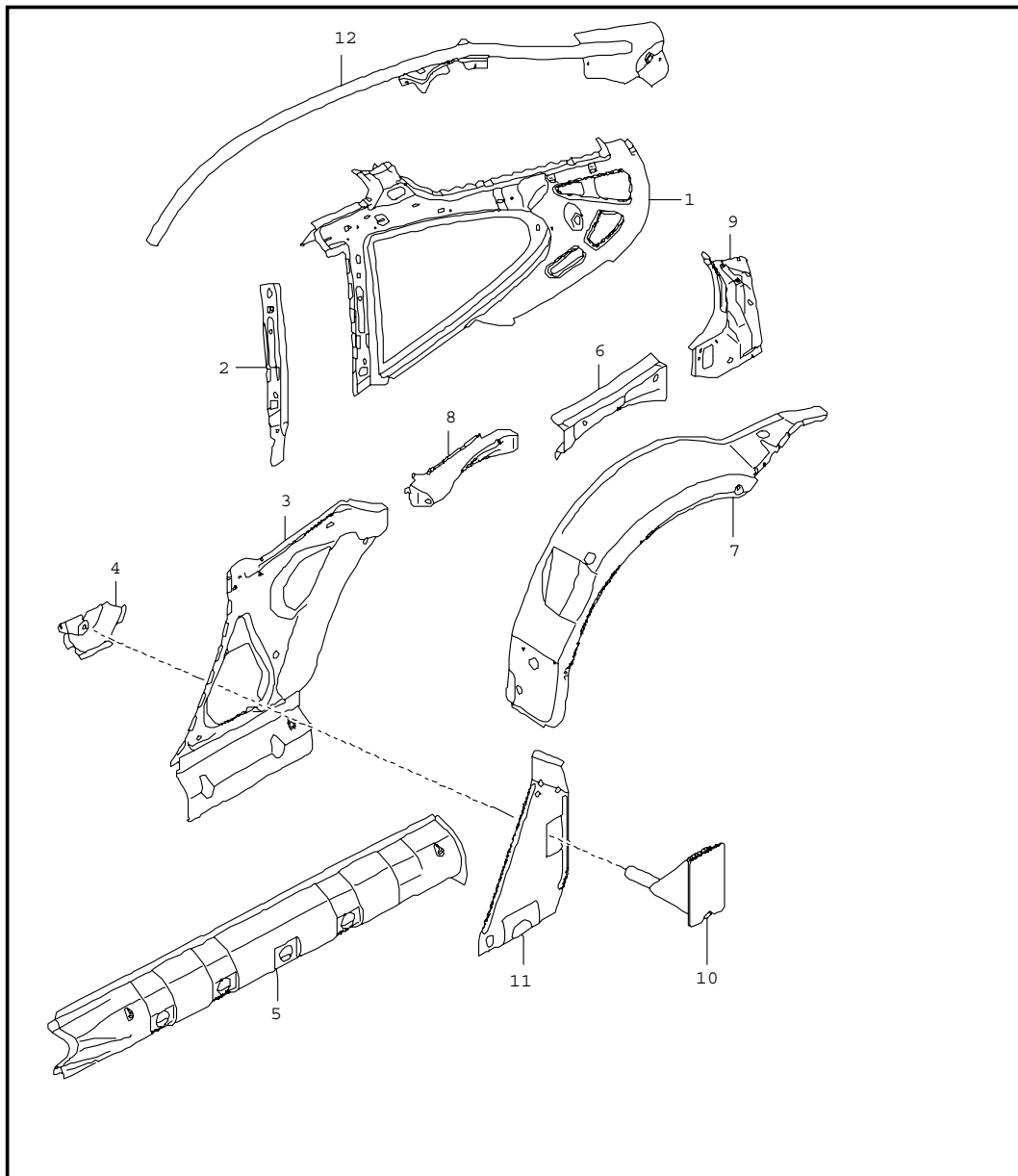


Pos	Part Number	Name	Remarks	Qty	Model
1	997 502 137 00	cowl cowl		1	
	GRV	prime coated inner			
2	997 502 437 00	cowl		1	
	GRV	prime coated outer			
3	997 502 135 00	reinforcement	/L	1	
	GRV	prime coated inner use also:			
(3)	997 502 136 00	reinforcement	/R	1	
	GRV	prime coated inner use also:			
-	000 043 206 29	adhesive set body comprising:		X	
-	000 043 206 30	adhesive		1	
-	000 043 206 31	tool		1	
-	000 043 206 32	tool		1	
-	000 043 206 33	activator		1	
(4)	996 503 501 00	outer roof panel		1	
	GRV	prime coated use also:			
(4)	997 503 501 00	outer roof panel		1	I461
	GRV	prime coated use also:			
4	996 503 087 03	outer roof panel		1	I650
	GRV	prime coated use also:			
(4)	997 503 087 00	outer roof panel		1	I650/461
	GRV	prime coated use also:			

Model	Year	MG	SG	Illustration	Restrictions	Update	16:39	25.10.2006	PORSCHE	PET	PORSCHE
gt3-2	07	8	01	801-45		207					

Pos	Part Number	Name	Remarks	Qty	Model	Pos	Part Number	Name	Remarks	Qty	Model
-	000 043 204 38	sealing material 70 ML processing instructions see technical manual		X							
5	996 502 305 03	roof frame	/L	1							
	GRV	prime coated									
(5)	996 502 306 03	roof frame	/R	1							
	GRV	prime coated									
6	997 502 505 00	roof frame		1							
	GRV	prime coated									
7	996 504 911 00	plate with threaded pin		X							
8	900 377 021 02	threaded bush M10 X 1		X							
		- - - E N D - - -									

Model	Year	MG	SG	Illustration	Restrictions	Update	16:39	25.10.2006	PORSCHE	PET	PORSCHE
gt3-2	07	8	01	801-50		207					

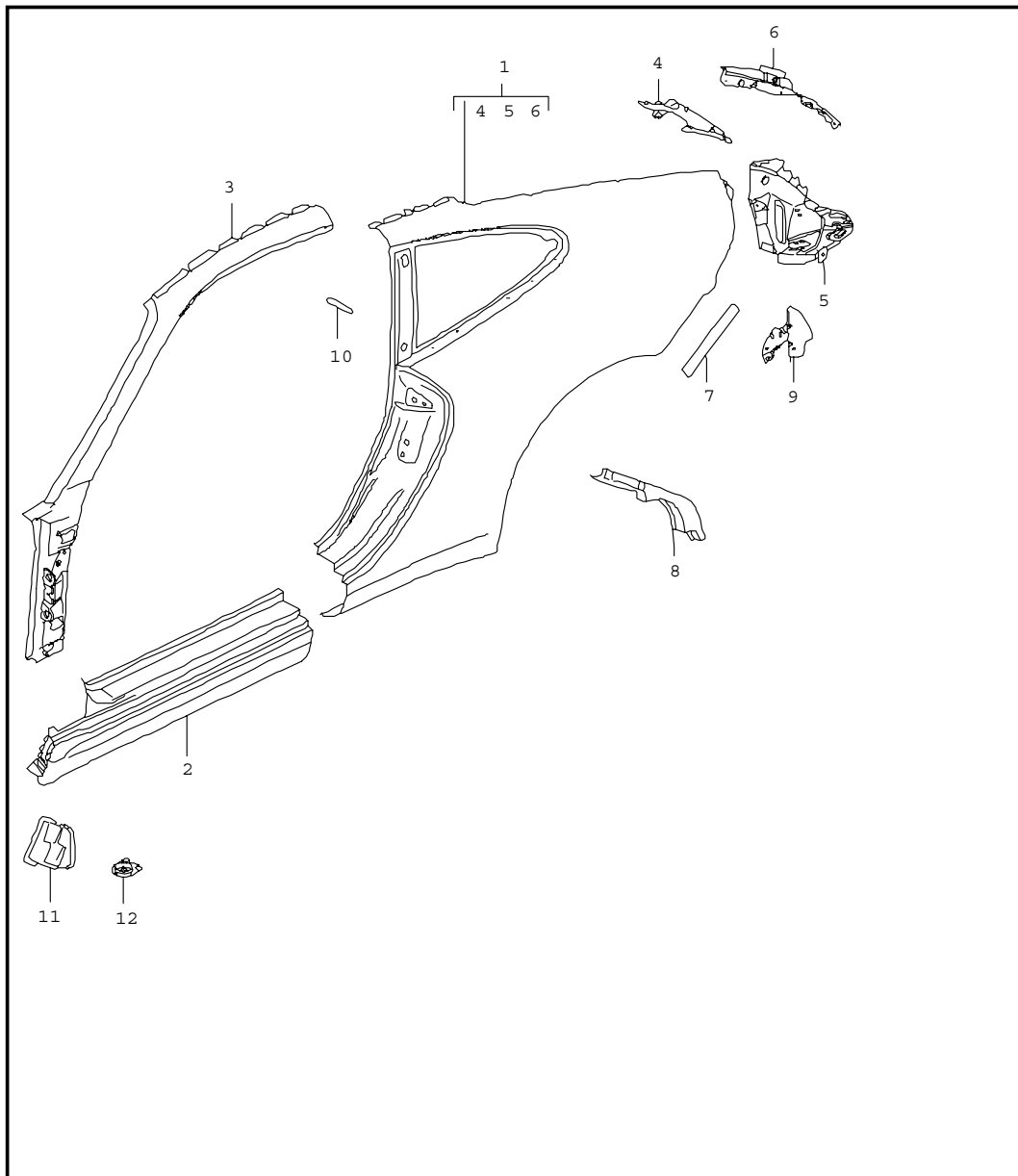


Pos	Part Number	Name	Remarks	Qty	Model
		side section inner			
1	997 502 153 00	side section	/L	1	
	GRV	prime coated			
(1)	997 502 154 00	side section	/R	1	
	GRV	prime coated			
2	997 502 423 00	reinforcement	/L	1	
	GRV	prime coated			
(2)	997 502 424 00	reinforcement	/R	1	
	GRV	prime coated			
3	996 502 083 02	side section	/L	1	
	GRV	prime coated			
(3)	996 502 084 02	side section	/R	1	
	GRV	prime coated			
4	996 502 383 01	bracket		2	
	GRV	prime coated			
5	996 502 733 01	reinforcement	/L	1	
	GRV	prime coated use also:			
(5)	996 502 734 01	reinforcement	/R	1	
	GRV	prime coated use also:			
-	000 043 206 29	adhesive set body comprising:		X	
-	000 043 206 30	adhesive		1	
-	000 043 206 31	tool		1	
-	000 043 206 32	tool		1	
-	000 043 206 33	activator		1	
-	999 703 433 40	plug 30 X 42 for POS. 5		10	

Model	Year	MG	SG	Illustration	Restrictions	Update	16:39	25.10.2006	PORSCHE	PET	PORSCHE
gt3-2	07	8	01	801-50		207					

Pos	Part Number	Name	Remarks	Qty	Model	Pos	Part Number	Name	Remarks	Qty	Model
		GRV prime coated									
6	997 502 115 00	side section	/L	1							
		GRV prime coated									
(6)	997 502 116 00	side section	/R	1							
		GRV prime coated									
7	997 502 215 00	wheel housing	/L	1							
		GRV prime coated									
(7)	997 502 216 00	wheel housing	/R	1							
		GRV prime coated									
8	997 502 707 00	reinforcement	/L	1							
		GRV prime coated									
(8)	997 502 708 00	reinforcement	/R	1							
		GRV prime coated									
9	997 502 161 00	side section	/L	1							
(9)	997 502 162 00	side section	/R	1							
10	997 502 711 00	pipe		2							
		GRV prime coated									
11	997 502 745 00	reinforcement plate	/L	1							
(11)	997 502 746 00	reinforcement plate	/R	1							
12	997 502 619 00	pipe	/L	1							
		GRV prime coated									
(12)	997 502 620 00	pipe	/R	1							
		GRV prime coated									
		- - - E N D - - -									

Model	Year	MG	SG	Illustration	Restrictions	Update	16:39	25.10.2006	PORSCHE	PET	PORSCHE
gt3-2	07	8	01	801-55		207					

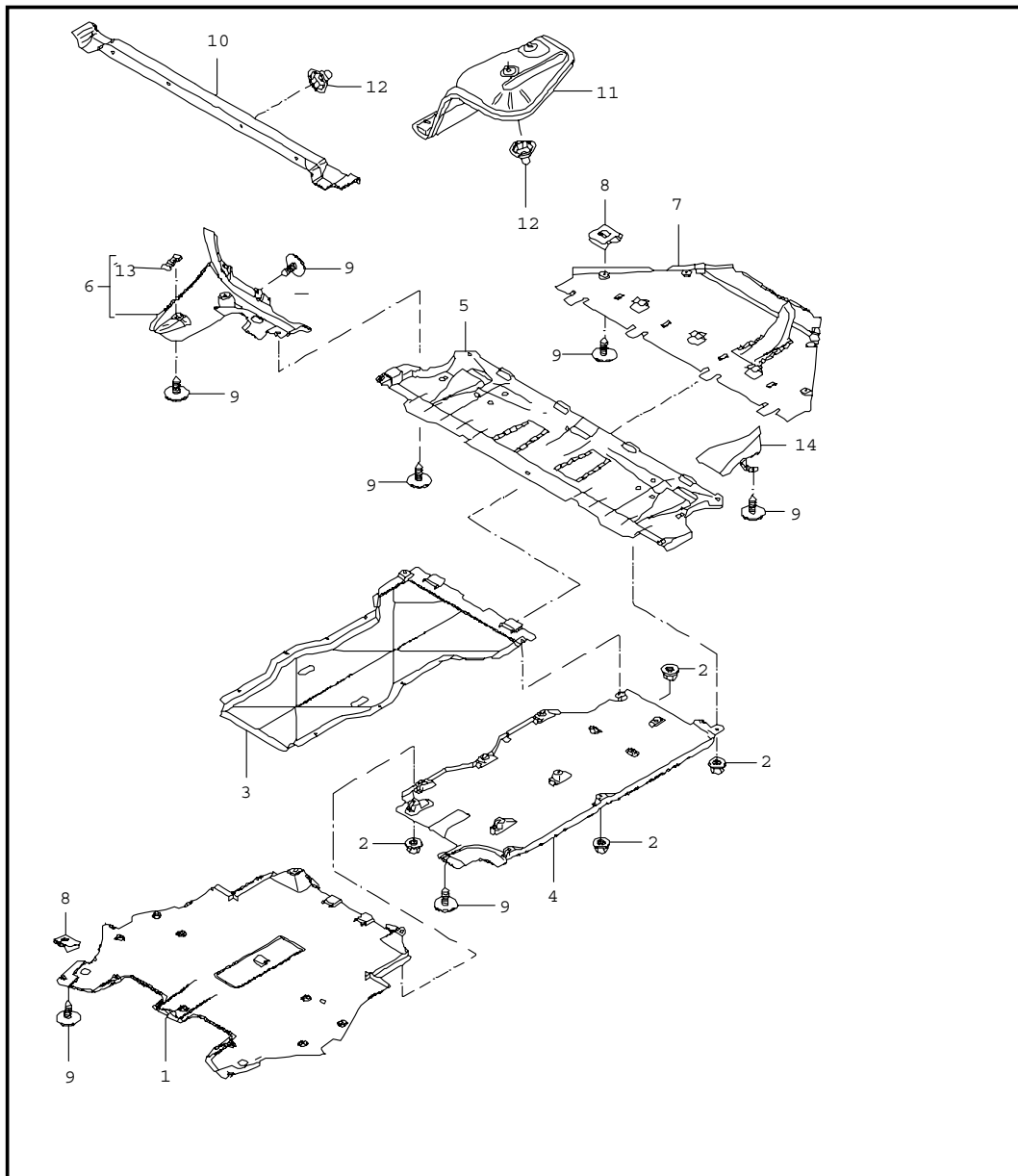


Pos	Part Number	Name	Remarks	Qty	Model
1	997 503 961 00	side section outer		1	
	GRV	prime coated			
(1)	997 503 962 00	side section	/L	1	
	GRV	prime coated			
		use also:			
-	999 915 650 40	adhesive TEROMIX 6700		X	
-	000 043 300 48	tool see technical manual group 5 53 55 55		X	
2	997 503 963 00	door sill	/L	1	
	GRV	prime coated			
(2)	997 503 964 00	door sill	/R	1	
	GRV	prime coated			
3	997 503 965 00	roof frame	/L	1	
	GRV	prime coated			
(3)	997 503 966 00	roof frame	/R	1	
	GRV	prime coated			
4	997 502 365 00	sealing channel	/L	1	
	GRV	prime coated			
(4)	997 502 366 00	sealing channel	/R	1	
	GRV	prime coated			
5	997 502 461 00	frame for light	/L	1	
	GRV	prime coated			
(5)	997 502 462 00	frame for light	/R	1	
	GRV	prime coated			
6	997 502 213 01	bracket gas-filled strut	/L	1	
	GRV	prime coated			

Model	Year	MG	SG	Illustration	Restrictions	Update	16:39	25.10.2006	PORSCHE	PET	PORSCHE
gt3-2	07	8	01	801-55		207					

Pos	Part Number	Name	Remarks	Qty	Model	Pos	Part Number	Name	Remarks	Qty	Model
(6)	997 502 214 00	bracket gas-filled strut	/R	1							
	GRV	prime coated									
7	997 504 631 00	protective film		2							
8	997 504 907 00	seal see workshop manual		2							
9	997 501 487 00	reinforcement	/L	1							
	GRV	prime coated									
(9)	997 501 488 00	reinforcement	/R	1							
	GRV	prime coated									
		use also:									
-	000 043 206 29	adhesive set body comprising:		X							
-	000 043 206 30	adhesive		1							
-	000 043 206 31	tool		1							
-	000 043 206 32	tool		1							
-	000 043 206 33	activator		1							
10	997 504 631 00	protective film		2							
11	997 572 311 01	water protection	/L	1							
(11)	997 572 312 01	water protection	/R	1							
12	999 703 475 40	drain tube door sill		2							
		- - - E N D - - -									

Model	Year	MG	SG	Illustration	Restrictions	Update	16:39	25.10.2006	PORSCHE	PET	PORSCHE
gt3-2	07	8	01	801-70		207					

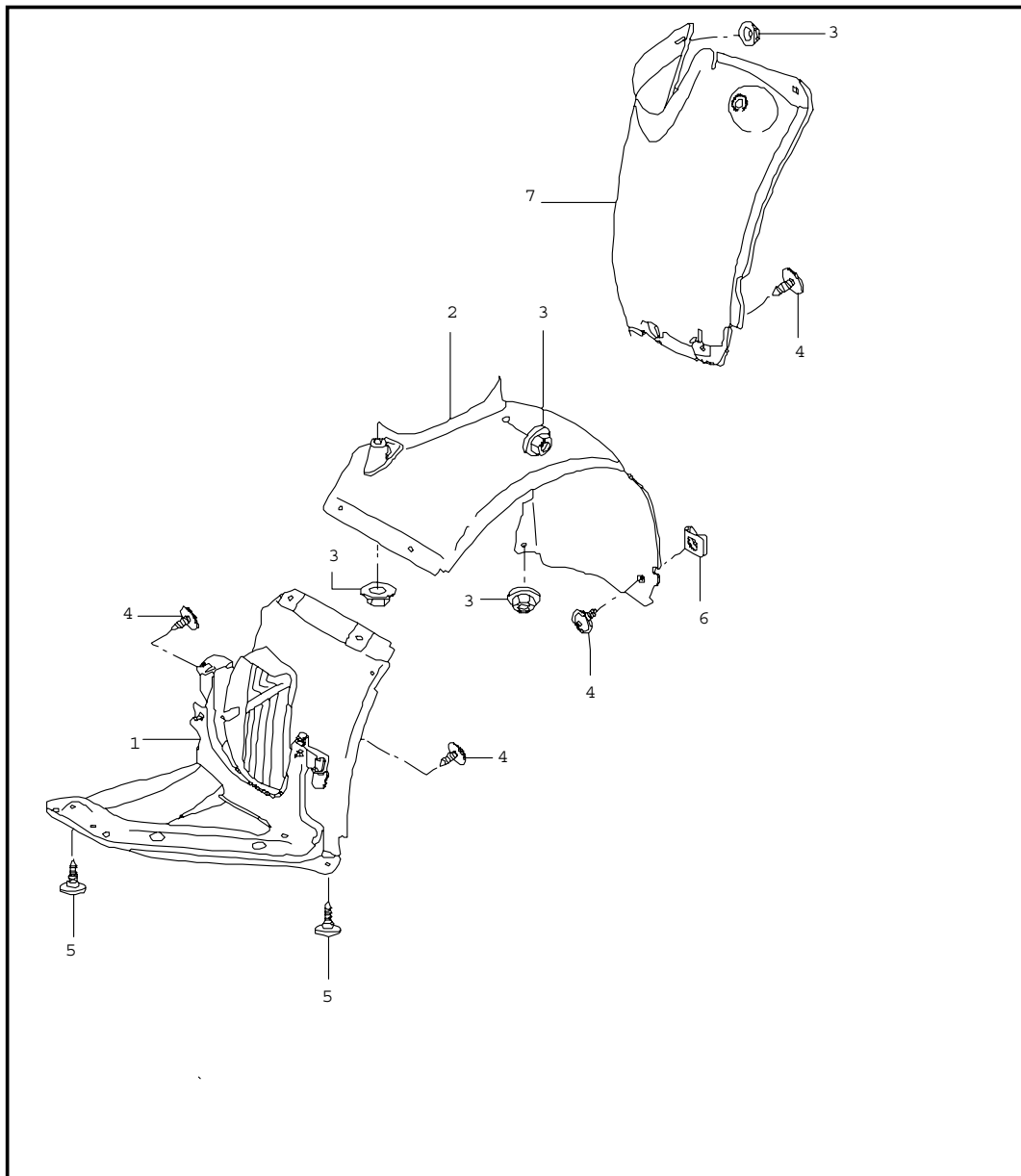


Pos	Part Number	Name	Remarks	Qty	Model
		linings underbody			
1	997 504 527 02	cover	/LL	1	
(1)	997 504 527 01	cover front	/RL	1	
2	999 049 028 40	plastic nut T 5		26	
3	997 504 043 00	cover centre		1	
4	997 504 343 02	cover centre	/L	1	
(4)	997 504 344 02	cover centre	/R	1	
5	997 504 629 92	cover rear		1	
6	997 504 393 90	cover	/L	1	
	01C	satin black			
(6)	997 504 394 90	cover	/R	1	
	01C	satin black			
7	997 504 429 01	cover transmission		1	
8	999 507 795 09	speed nut ST 4,8		4	
9	999 073 231 09	tapping screw ST 4,8 X 16		X	
10	996 505 471 00	heat protection centre		1	
11	997 505 477 02	heat protection	/L	1	
(11)	997 505 478 02	heat protection	/R	1	
12	999 049 025 09	collar nut T 5		12	
13	997 504 635 00	clamp		2	
14	997 575 183 00	air duct brake		1	
(14)	997 575 184 00	air duct brake		1	

Model	Year	MG	SG	Illustration	Restrictions	Update					
gt3-2	07	8	01	801-70		207	16:39	25.10.2006	PORSCHE	PET	PORSCHE

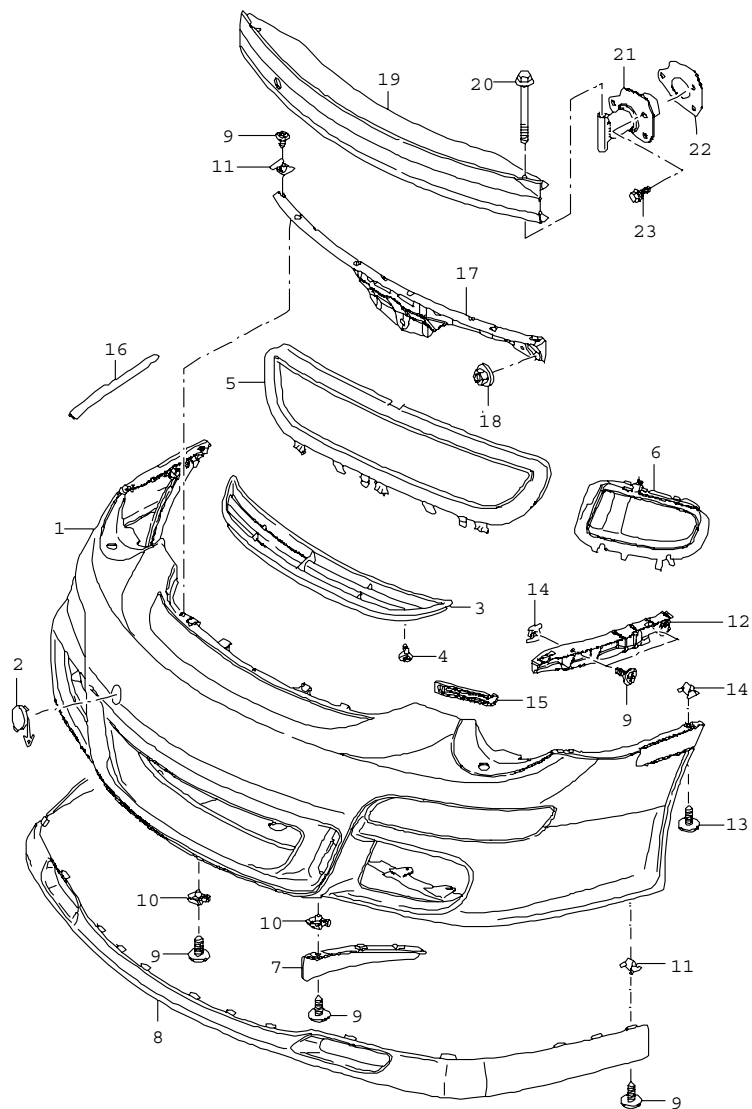
Pos	Part Number	Name	Remarks	Qty	Model	Pos	Part Number	Name	Remarks	Qty	Model
		- - - E N D - - -									

Model	Year	MG	SG	Illustration	Restrictions	Update	16:40	25.10.2006	PORSCHE	PET	PORSCHE
gt3-2	07	8	01	801-75		207					



Pos	Part Number	Name	Remarks	Qty	Model
		linings wheel housing			
1	997 504 123 90	wheel-housing liner	/L/V	1	
(1)	997 504 124 90	wheel-housing liner front	/R/V	1	
2	997 504 203 00	wheel-housing liner	/L/H	1	
(2)	997 504 204 00	wheel-housing liner front	/R/H	1	
3	999 049 028 40	plastic nut T5		12	
4	999 073 231 09	tapping screw ST 4,8 X 16		18	
5	999 073 227 09	tapping screw ST 4,8 X 19		4	
6	999 507 795 09	speed nut ST 4,8		2	
7	997 504 573 00	wheel-housing liner	/H/L	1	
(7)	997 504 574 00	wheel-housing liner	/H/R	1	
		- - - E N D - - -			

Model	Year	MG	SG	Illustration	Restrictions	Update	16:40	25.10.2006	PORSCHE	PET	PORSCHE
gt3-2	07	8	02	802-00		207					

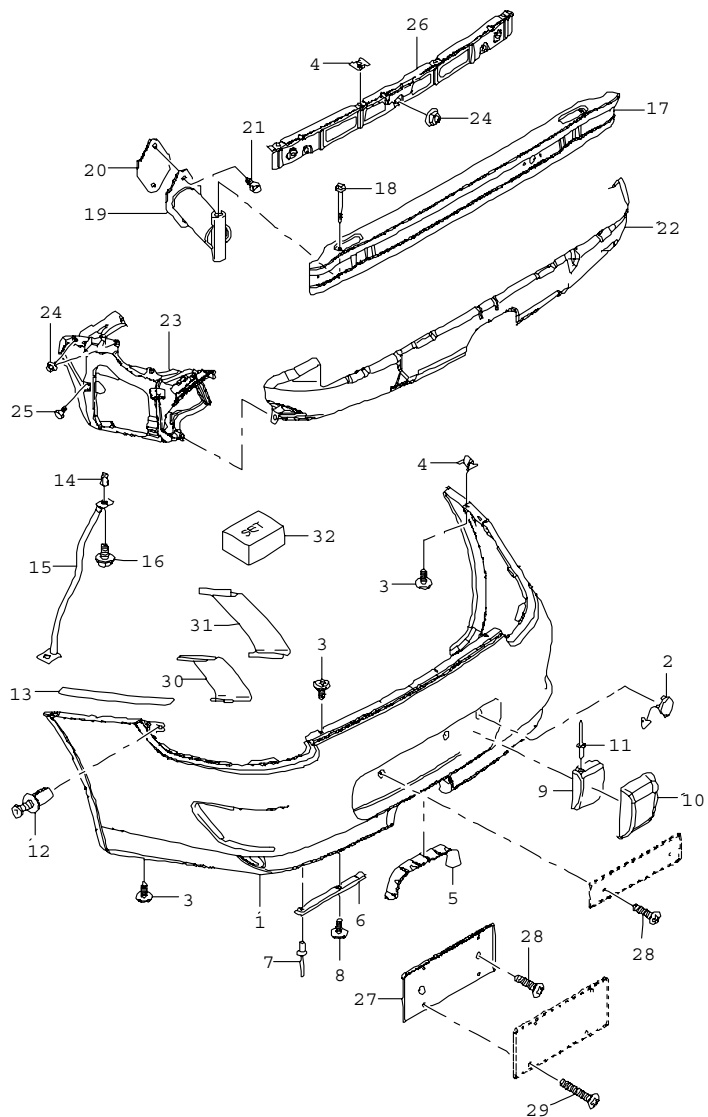


Pos	Part Number	Name	Remarks	Qty	Model
1	997 505 961 90	bumper front		1	
(1)	997 505 961 91	lining prime coated		1	I288
2	997 505 991 01	cover towing lug		1	
3	997 575 327 90	cover air exhaust		1	
4	999 919 118 09	oval-head screw 4,0 X 14		8	
5	997 505 541 01	retaining frame centre		1	
6	997 505 985 00	retaining frame lateral	/L	1	
(6)	997 505 986 00	retaining frame lateral	/R	1	
7	997 504 651 90	air duct	/L	1	
(7)	997 504 652 90	air duct brake	/R	1	
8	997 505 983 92	spoiler		1	
9	999 073 227 09	tapping screw ST 4,8 X 19		X	
10	999 591 699 02	speed nut ST 4,8		1	
11	999 507 590 02	captive nut ST 4,8		4	
12	997 505 535 01	retaining strip	/L	1	
(12)	997 505 536 01	retaining strip	/R	1	
13	999 073 314 09	tapping screw ST 4,8 X 16		X	

Model	Year	MG	SG	Illustration	Restrictions	Update	16:40	25.10.2006	PORSCHE	PET	PORSCHE
gt3-2	07	8	02	802-00		207					

Pos	Part Number	Name	Remarks	Qty	Model	Pos	Part Number	Name	Remarks	Qty	Model
14	999 507 849 01	captive nut ST 4,8		X							
15	997 505 719 00	fixing device		2							
(16)	997 504 531 00	protective film	/L	1							
16	997 504 531 00	protective film	/R	1							
17	997 505 531 00	retaining strip centre		1							
18	999 076 078 09	hexagon nut M 6		3							
19	997 505 141 00	bumper reinforcement		1							
20	900 378 088 09	hexagon-head bolt M 12 X 100		2							
21	997 505 319 00	impact absorber		2							
22	997 505 751 02	seal impact absorber		2							
23	900 378 267 09	screw M 8 X 30		6							
		- - - E N D - - -									

Model	Year	MG	SG	Illustration	Restrictions	Update	16:40	25.10.2006	PORSCHE	PET	PORSCHE
gt3-2	07	8	02	802-05		207					

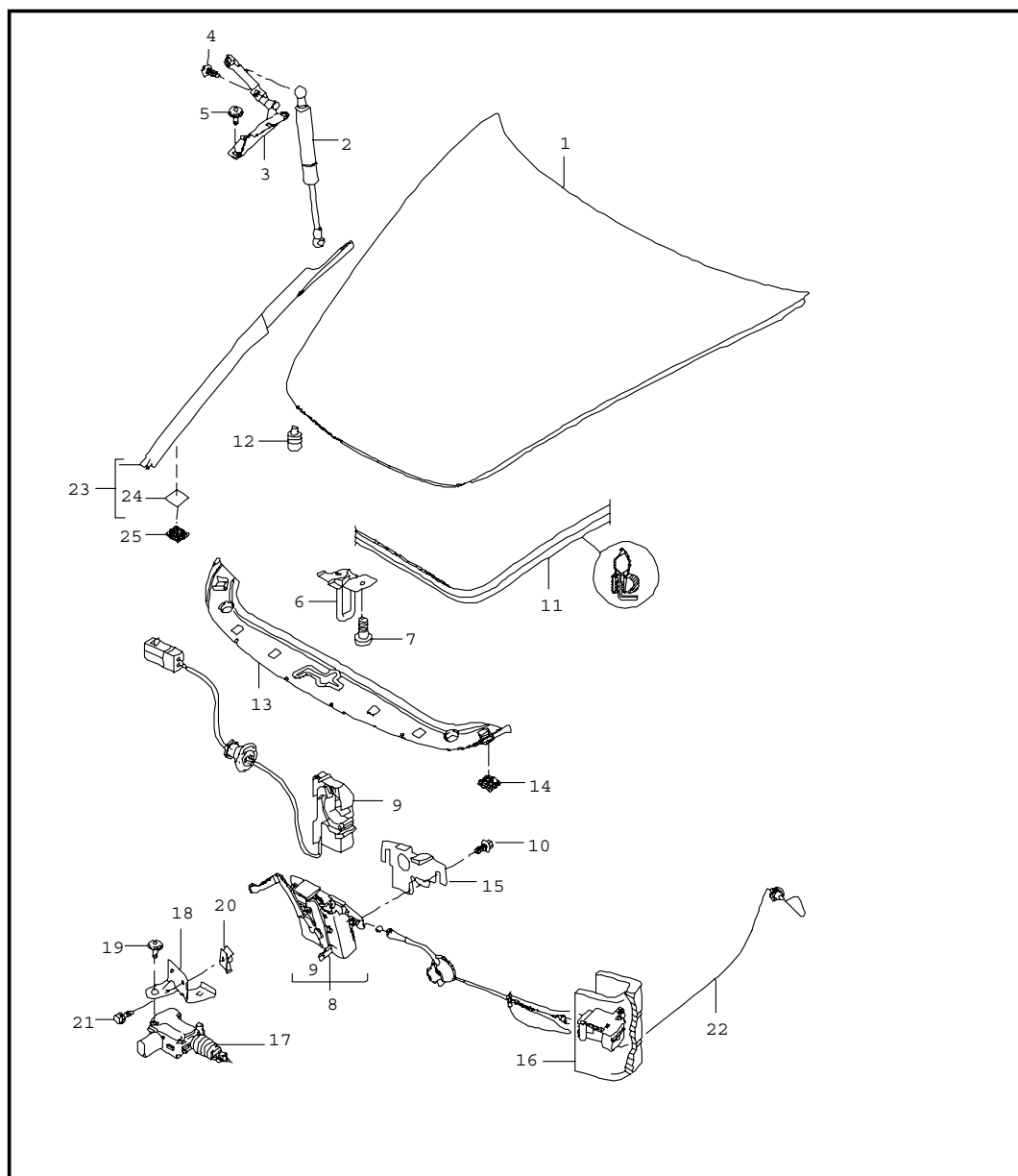


Pos	Part Number	Name	Remarks	Qty	Model
1	997 505 411 93	bumper rear		1	
		lining rear			
		G2X prime coated			
2	997 505 803 00	cover towing lug		1	
		G2X prime coated			
3	999 073 227 09	tapping screw 4,8 X 16		10	
4	999 507 590 02	captive nut ST 4,8		6	
5	997 505 811 90	cover plate muffler		1	
6	997 505 837 90	retaining strip lower		2	
7	999 190 104 30	blind rivet 3,2 X 7,9		2	
8	999 073 314 09	tapping screw ST 4,8 X 16		4	
12	999 591 941 40	expansion rivet ST 4,2		4	
13	997 504 631 00	protective film		2	
14	999 591 712 40	expansion rivet		6	
15	997 505 681 01	strut	/L	1	
(15)	997 505 682 01	strut	/R	1	
16	900 378 035 09	hexagon-head bolt M6 X 16		2	
17	997 505 121 90	bracket		1	
18	900 378 088 09	hexagon-head bolt M 12 X 100		2	
19	996 505 019 01	impact pipe		2	
20	996 505 775 00	desk pad		2	
21	900 378 267 09	screw M 8 X 30		4	

Model	Year	MG	SG	Illustration	Restrictions	Update	16:40	25.10.2006	PORSCHE	PET	PORSCHE
gt3-2	07	8	02	802-05		207					

Pos	Part Number	Name	Remarks	Qty	Model	Pos	Part Number	Name	Remarks	Qty	Model
22	997 505 475 90	heat protection centre		1							
23	997 505 631 90	support lateral	/L	1							
(23)	997 505 632 90	support lateral	/R	1							
24	999 076 078 09	hexagon nut M 6		X							
25	900 075 459 09	screw M 6 X 12		2							
26	997 505 641 02	attachment strip centre		1							
27	997 701 113 00	support		1	I218						
	01C	black									
28	999 919 228 A2	screw support number plate 5 X 28		X							
29	999 919 227 A2	screw support number plate 5 X 13		X							
		- - - E N D - - -									

Model	Year	MG	SG	Illustration	Restrictions	Update	16:40	25.10.2006	PORSCHE	PET	PORSCHE
gt3-2	07	8	03	803-00		207					

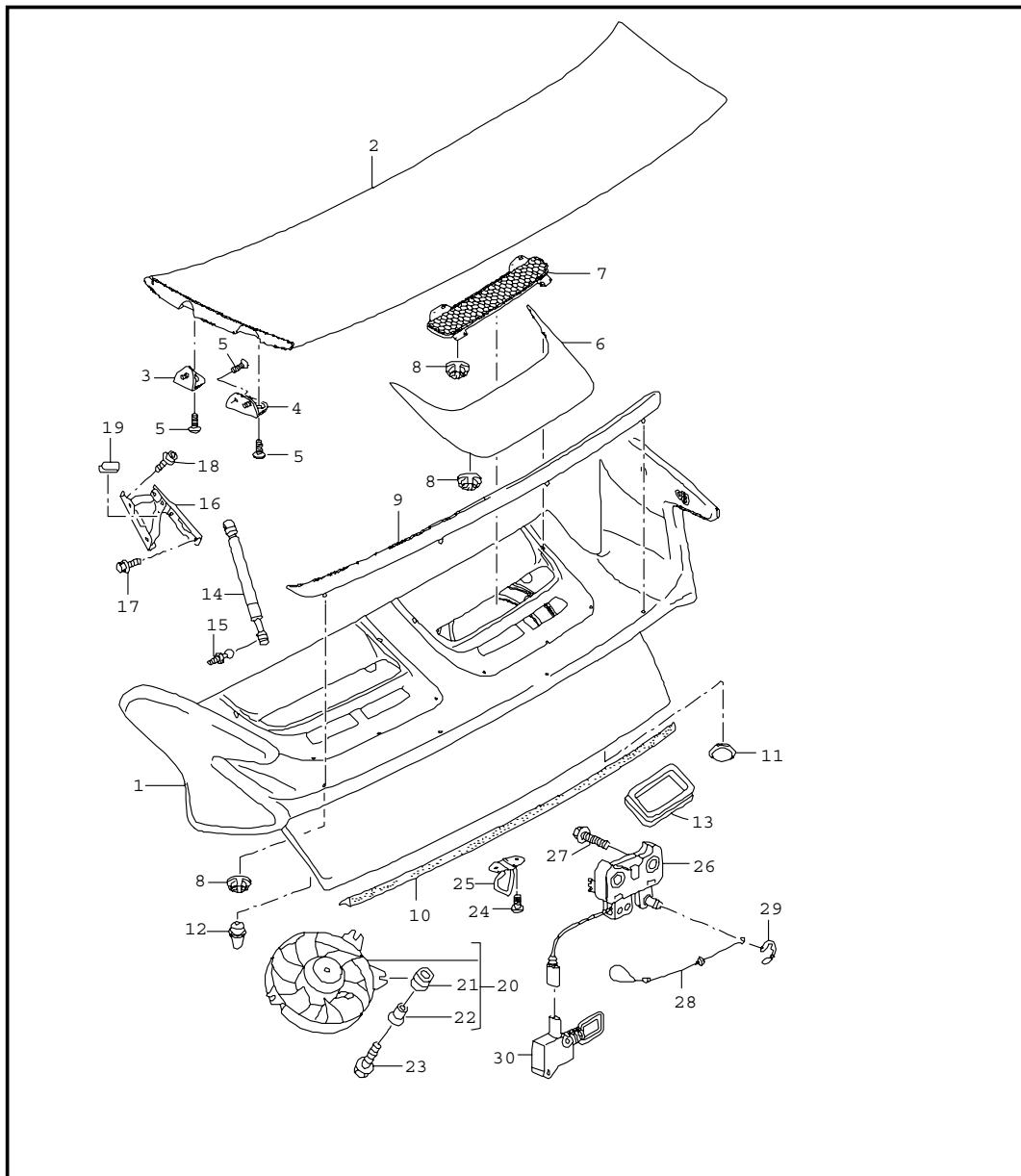


Pos	Part Number	Name	Remarks	Qty	Model
		cover front			
1	997 511 011 00	cover		1	
	GRV	prime coated			
2	997 511 551 01	gas-filled strut		2	
3	997 511 151 01	hinge	/L	1	
(3)	997 511 152 01	hinge	/R	1	
4	999 073 357 09	oval-head screw M 6 X 12		4	
5	999 073 348 09	oval-head screw M 6 X 20		4	
6	997 511 051 00	lock upper part		1	
7	999 073 378 02	round head screw M 6 X 20		2	
8	997 511 053 00	lock lower part		1	
9	997 613 206 00	microswitch		1	
10	900 075 466 09	screw M 6 X 16		2	
11	997 511 611 00	gasket		1	
12	999 703 140 41	rubber buffer		2	
13	997 504 811 03	trim		1	
	FMT	satin black			
14	999 902 049 40	velcro fastener		4	
15	996 511 653 00	cover		1	
16	997 511 117 00	actuator		1	
(23)	997 572 465 02	trim	/L	1	
	02A	black			
23	997 572 466 02	trim	/R	1	
	02A	black			
24	999 902 052 40	velcro fastener cover 20 X 20		4	

Model	Year	MG	SG	Illustration	Restrictions	Update	16:40	25.10.2006	PORSCHE	PET	PORSCHE
gt3-2	07	8	03	803-00		207					

Pos	Part Number	Name	Remarks	Qty	Model	Pos	Part Number	Name	Remarks	Qty	Model
25	999 902 051 40	velcro fastener wing 20 X 20 - - - E N D - - -		4							

Model	Year	MG	SG	Illustration	Restrictions	Update	16:41	25.10.2006	PORSCHE	PET	PORSCHE
gt3-2	07	8	03	803-05		207					

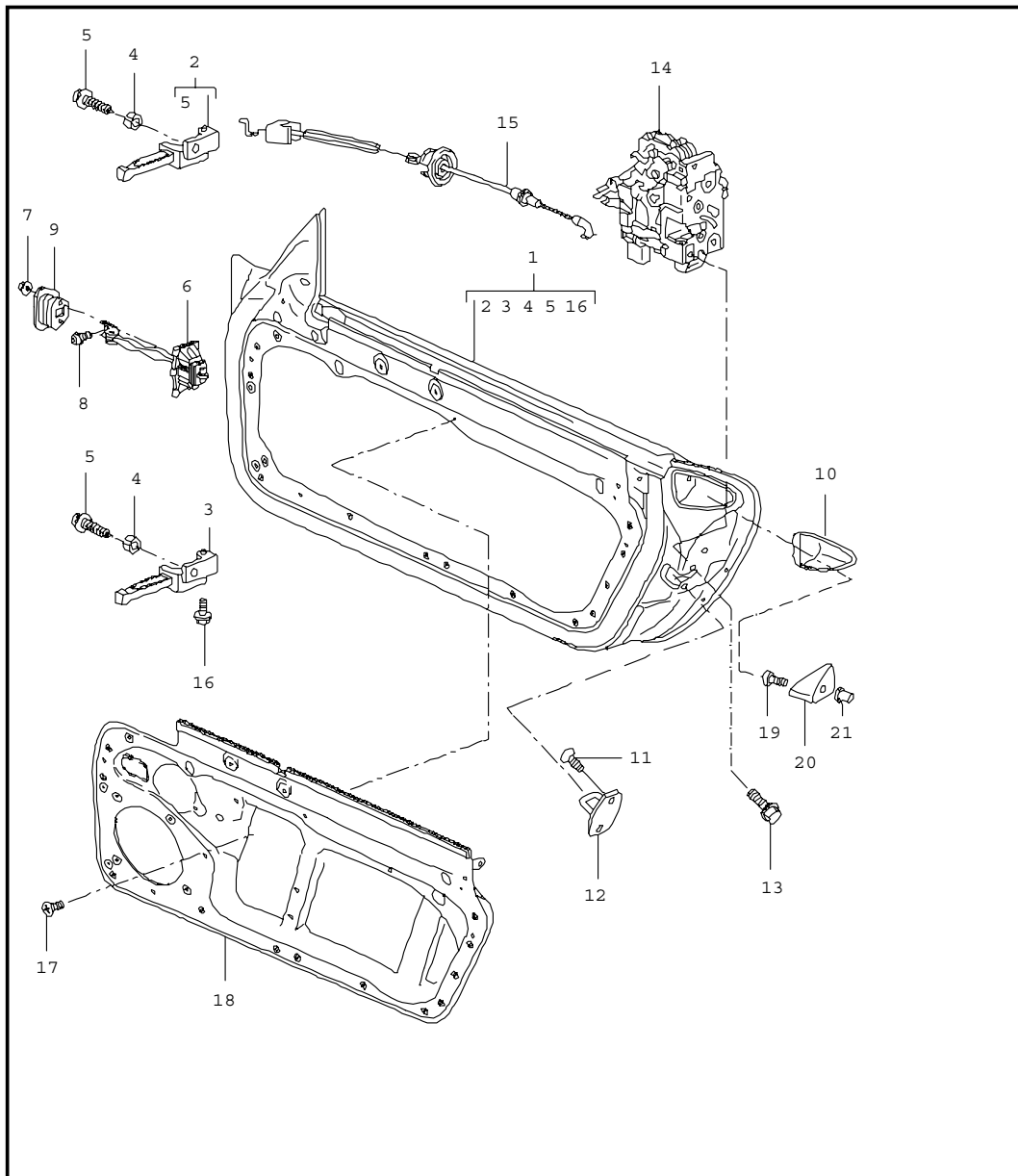


Pos	Part Number	Name	Remarks	Qty	Model
		cover rear			
1	997 512 225 92	cover prime coated		1	
2	997 512 265 92	spoiler prime coated		1	
3	997 512 633 01	angle prime coated front		2	
4	997 512 635 90	angle rear	/L	1	
		GRV prime coated			
(4)	997 512 636 90	angle rear	/R	1	
		GRV prime coated			
5	900 249 073 01	countersunk-head screw angle M6 X 20		10	
(6)	997 512 435 92	air box	/L	1	
6	997 512 436 92	air box prime coated	/R	1	
(7)	997 512 625 90	grille	/L	1	
7	997 512 626 90	grille	/R	1	
8	999 076 082 40	cap T5/16 X 7,0		22	
9	997 512 365 90	spoiler		1	
10	997 512 611 01	gasket		1	
11	999 703 019 40	cover 25,5 X 37,0		3	
12	996 512 987 00	adjusting screw cover		2	
13	997 512 443 90	gasket air filter system		1	
14	996 512 551 03	gas-filled strut		2	
15	999 167 051 02	ball pin		2	
16	996 512 151 03	hinge	/L	1	

Model	Year	MG	SG	Illustration	Restrictions	Update	16:41	25.10.2006	PORSCHE	PET	PORSCHE
gt3-2	07	8	03	803-05		207					

Pos	Part Number	Name	Remarks	Qty	Model	Pos	Part Number	Name	Remarks	Qty	Model
(16)	996 512 152 01	hinge	/R	1							
17	900 378 214 01	hexagon-head bolt M 6 X 18		4							
18	900 075 466 09	screw M 6 X 16		6							
19	997 512 153 00	stop hinge		2							
20	997 624 056 01	blower engine compartment		1							
21	999 703 451 40	rubber sleeve 9,0 X 14,0 X 1,5		3							
22	999 209 049 02	spacer sleeve 7,0 X 1,0 X 12		3							
23	999 073 417 01	oval-head screw M6 X 30		4							
24	900 378 214 01	hexagon-head bolt M6 x 18		2							
25	997 512 213 01	lock upper part		1							
26	997 512 053 00	lock lower part		1							
27	N 910 664 01	screw M6 x 40		3							
28	997 512 521 00	cable emergency operation		1							
29	900 116 002 02	lock washer 3,2		1							
30	997 624 118 00	actuator		1							
		- - - E N D - - -									

Model	Year	MG	SG	Illustration	Restrictions	Update	16:41	25.10.2006	PORSCHE	PET	PORSCHE
gt3-2	07	8	04	804-00		207					

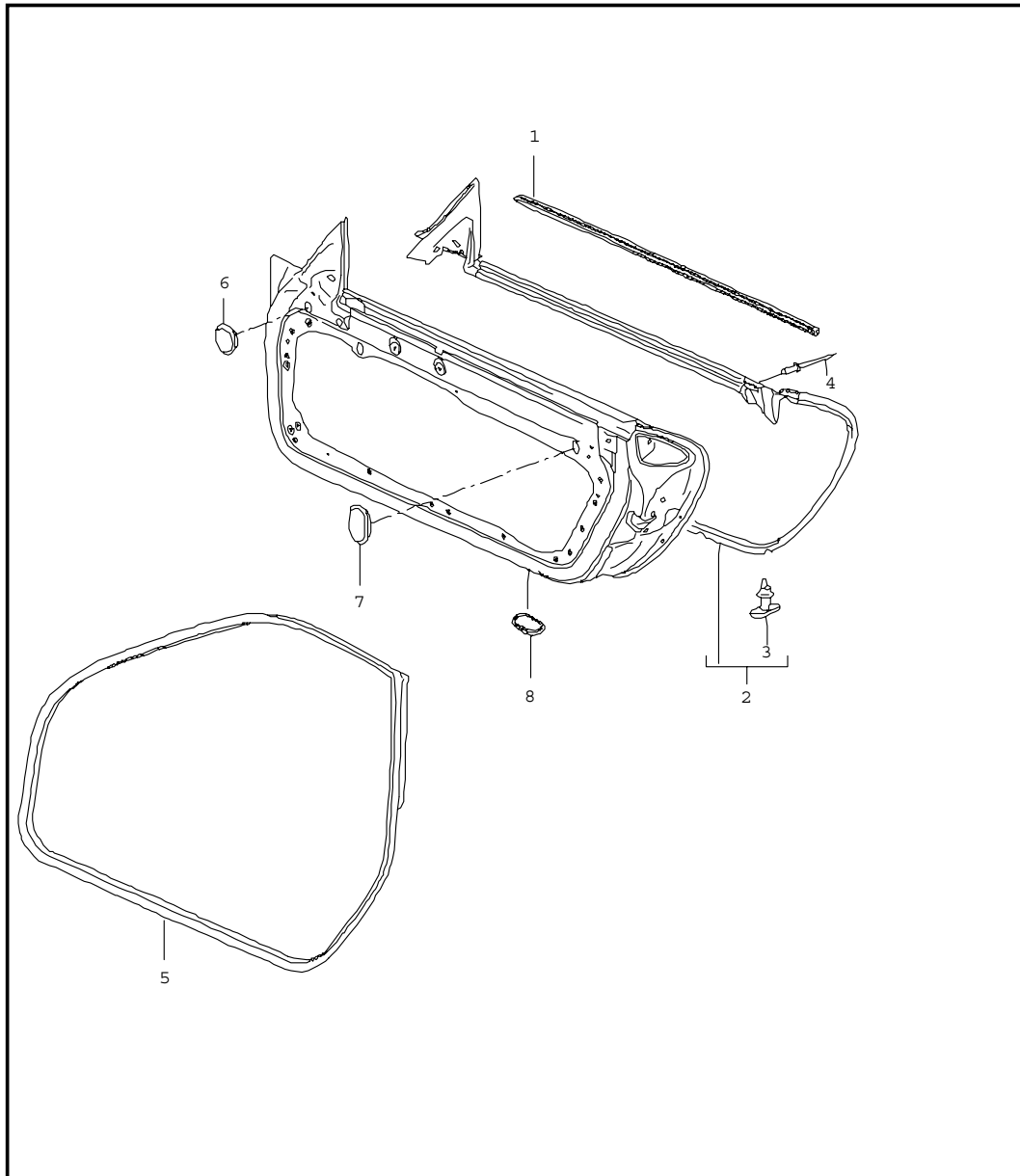


Pos	Part Number	Name	Remarks	Qty	Model
		door in white installation parts door lock			
(1)	997 531 011 03	door in white	/L	1	
	GRV	prime coated			
1	997 531 012 03	door in white	/R	1	
	GRV	prime coated			
		use also:			
-	000 043 204 38	sealing material		1	
(2)	997 531 321 01	hinge	/L	1	
2	997 531 322 01	hinge upper	/R	1	
(3)	997 531 319 01	hinge	/L	1	
3	997 531 320 01	hinge lower	/R	1	
4	996 531 831 00	sleeve		4	
5	999 073 192 01	pan-head screw M 8 X 33		2	
6	997 537 151 01	door arrester		2	
7	999 084 212 03	hexagon nut M 6		4	
8	999 073 138 09	screw M 8 X 25		2	
9	996 537 751 00	seal		2	
(10)	997 537 331 00	support	/L	1	
	01C	satin black			
10	997 537 332 00	support	/R	1	
	01C	satin black			
11	N 910 174 01	countersunk-head screw M 8 X 22		4	
12	3C0 837 767 A	end plate		2	
13	WHT 000 439	screw M 8 X 20		2	
(14)	3D1 837 015	door lock	/LL/L	1	I098

Model	Year	MG	SG	Illustration	Restrictions	Update	16:41	25.10.2006	PORSCHE	PET	PORSCHE
gt3-2	07	8	04	804-00		207					

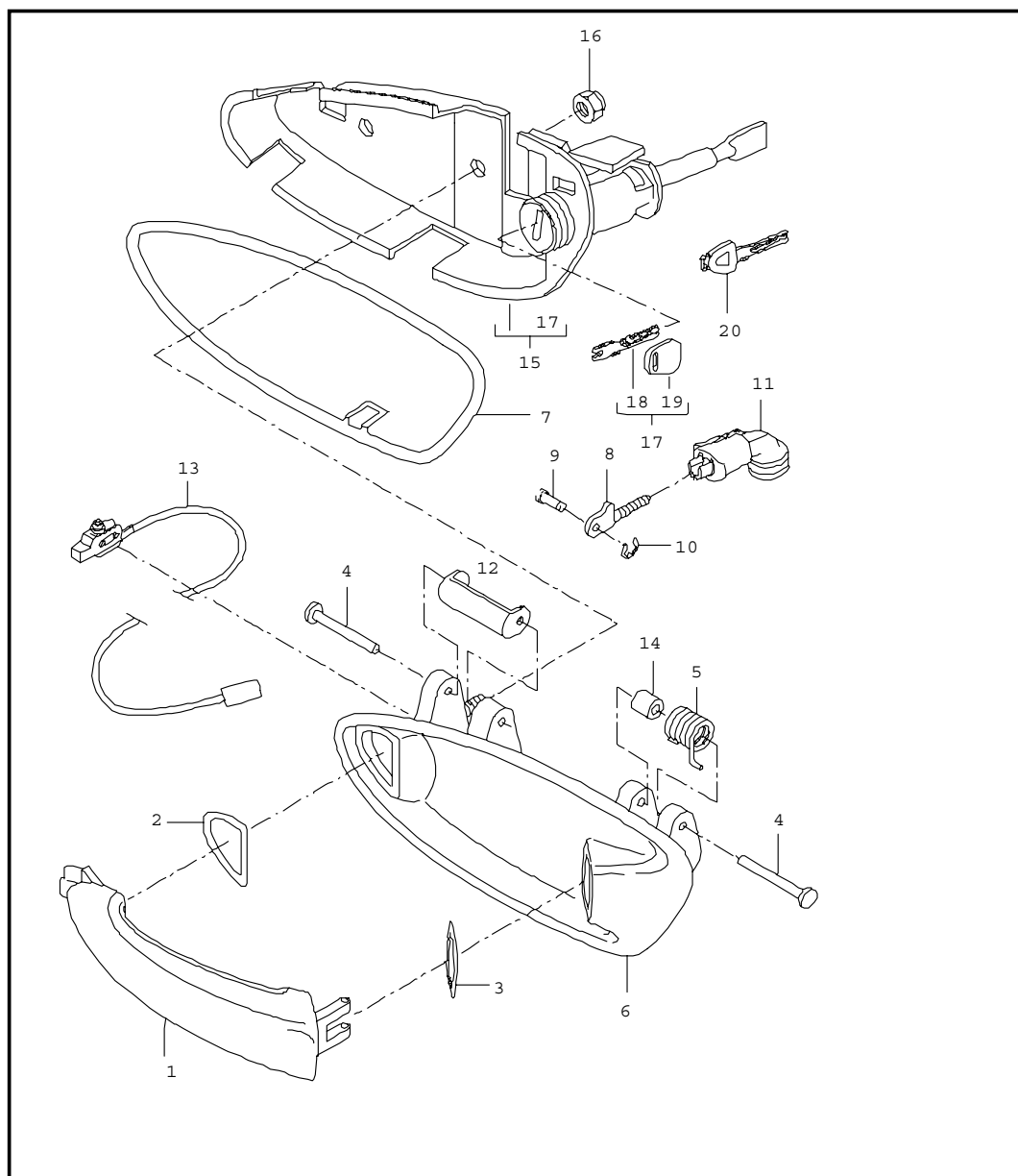
Pos	Part Number	Name	Remarks	Qty	Model	Pos	Part Number	Name	Remarks	Qty	Model
14	3D1 837 016	door lock	/LL/R	1	I098						
(14)	3D1 837 015 C	door lock	/L	1	I072						
(14)	3D1 837 016 C	door lock	/R	1	I072						
(14)	3D2 837 015	door lock	/RL/L	1	I099						
(14)	3D2 837 016	door lock	/RL/R	1	I099						
15	997 537 319 01	bowden cable		2							
16	999 072 043 09	hexagon-head bolt M 6 X 12 micro-self-locking		2							
17	999 073 333 09	oval-head screw M 6 X 16		8							
(18) U	987 537 201 00	inner panel	/L	1							
18 U	987 537 202 00	inner panel	/R	1							
18 N	987 537 201 01	inner panel	/L	1							
18 N	987 537 202 01	inner panel	/R	1							
19	900 119 072 00	pan-head screw M8 X 16		2							
(20)	997 537 333 01	support side section	/L	1							
20	997 537 334 01	support prime coated side section	/R	1							
21	999 500 121 02	blind rivet nut M8 / 0,8 - 3		2							
		- - - E N D - - -									

Model	Year	MG	SG	Illustration	Restrictions	Update	16:41	25.10.2006	PORSCHE	PET	PORSCHE
gt3-2	07	8	04	804-10		207					



Pos	Part Number	Name	Remarks	Qty	Model
		door seal gasket windscreen			
(1)	997 537 085 03	gasket	/L	1	
1	997 537 086 03	gasket outer	/R	1	
(2)	997 537 531 05	gasket	/L	1	
2	997 537 532 05	gasket inner	/R	1	
3	999 507 304 40	clip 5,0 X 4,9		X	
4	999 190 450 37	blind rivet		1	
(5)	997 537 075 05	gasket	/L	1	
5	997 537 076 05	gasket	/R	1	
6	803 803 583 A	cover 20,0 X 30,0		2	
7	999 703 541 40	cover 20 X 28 X 1		4	
8	999 703 542 40	cover 23,8 X 38,7		8	
		- - - E N D - - -			

Model	Year	MG	SG	Illustration	Restrictions	Update	16:41	25.10.2006	PORSCHE	PET	PORSCHE
gt3-2	07	8	04	804-20		207					

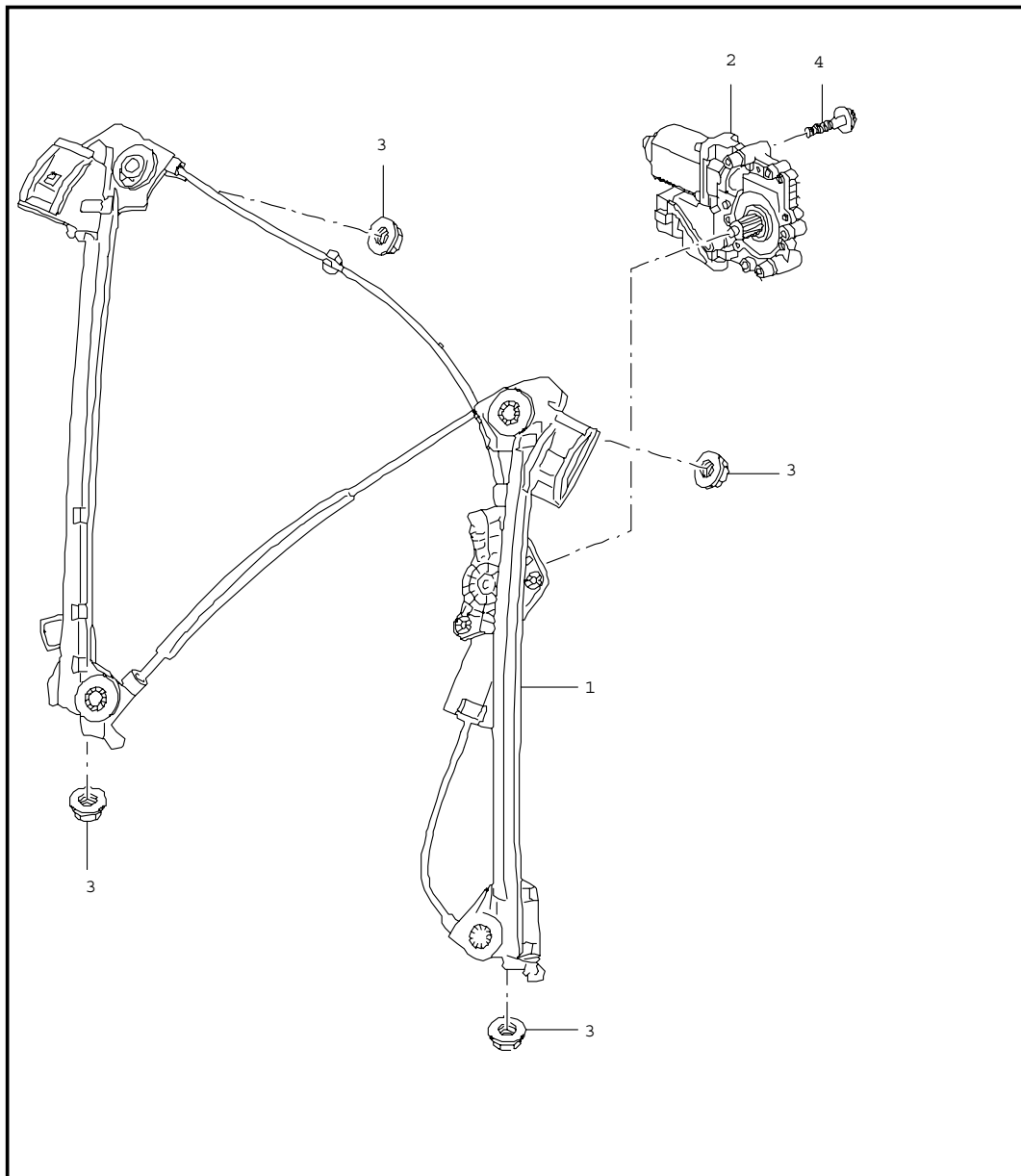


Pos	Part Number	Name	Remarks	Qty	Model
		door handle			
1	997 537 613 01	outer door handle	/L	1	
(1)	997 537 614 01	outer door handle prime coated	/R	1	
2	997 537 623 00	buffer		2	
3	997 537 625 00	buffer		2	
4	997 537 621 00	axle		2	
5	997 537 611 00	return spring	/L	1	
(5)	997 537 612 00	return spring	/R	1	
(6)	997 537 645 02	handle liner	/LL/L	1	
(6)	997 537 646 02	handle liner	/RL/R	1	
(6)	997 537 645 03	handle liner	/RL/L	1	
(6)	997 537 646 03	handle liner prime coated	/LL/R	1	
7	997 537 637 00	desk pad	/L	1	
(7)	997 537 638 00	desk pad	/R	1	
8	997 537 627 00	operating rod		2	
9	997 537 629 00	bolt		2	
10	996 537 641 00	lock washer		2	
11	997 537 445 03	connecting piece		2	
12	997 537 653 00	actuating lever	/L	1	
(12)	997 537 654 00	actuating lever	/R	1	
13	997 613 125 00	microswitch power windows		2	
14	997 537 633 00	bush		2	
15	997 538 963 00	support with lock cylinder	/LL/L	1	
(15)	997 538 964 00	support with stipulated lock-no. with lock cylinder	/RL/R	1	
(15)	997 538 963 01	support	/LL/L	1	

Model	Year	MG	SG	Illustration	Restrictions	Update	16:41	25.10.2006	PORSCHE	PET	PORSCHE
gt3-2	07	8	04	804-20		207					

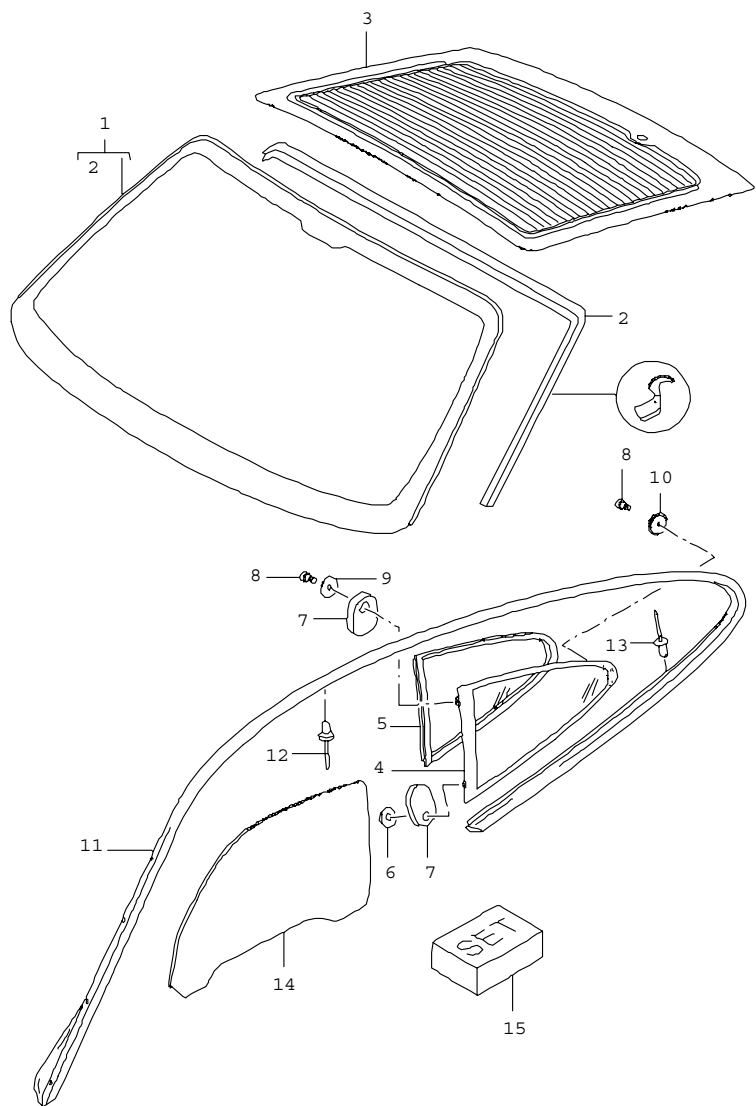
Pos	Part Number	Name	Remarks	Qty	Model	Pos	Part Number	Name	Remarks	Qty	Model
(15)	997 538 964 01	support with lock cylinder w/o stipulated lock number	/RL/R	1							
(15)	997 537 463 01	support	/RL/L	1							
(15)	997 537 464 01	support without lock cylinder	/LL/R	1							
16	900 380 015 09	hexagon nut M 6		2							
17	997 538 931 00	replacement key with stipulated lock-no. state lock number		X							
18	997 538 531 00	blank key		X							
19	944 538 431 00	key cap		X							
20	955 538 916 00	emergency key with stipulated lock-no. state lock number information available		X							
(20)	955 538 216 00	emergency key w/o stipulated lock number		X							
		- - - E N D - - -									

Model	Year	MG	SG	Illustration	Restrictions	Update	16:41	25.10.2006	PORSCHE	PET	PORSCHE
gt3-2	07	8	04	804-30		207					



Pos	Part Number	Name	Remarks	Qty	Model
		power windows			
1	997 542 075 02	power windows	/L	1	
(1)	997 542 076 02	power windows	/R	1	
2	997 624 181 03	electric motor	/LL/L	1	
(2)	997 624 182 03	electric motor	/LL/R	1	
(2)	997 624 181 03	electric motor	/RL/R	1	
(2)	997 624 182 03	electric motor	/RL/L	1	
3	900 380 015 09	hexagon nut M6		4	
4	999 919 209 09	oval-head screw M 5 X 22		3	
- - - E N D - - -					

Model	Year	MG	SG	Illustration	Restrictions	Update	16:42	25.10.2006	PORSCHE	PET	PORSCHE
gt3-2	07	8	05	805-00		207					

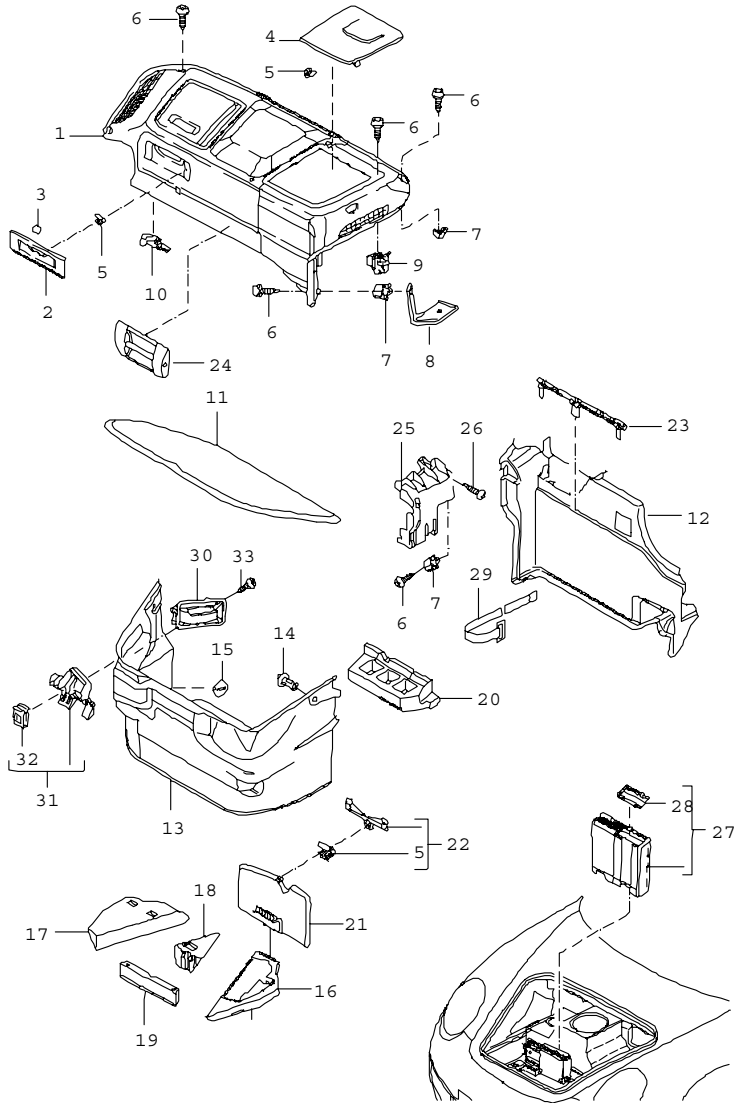


Pos	Part Number	Name	Remarks	Qty	Model
		windows			
1	997 541 911 00	windscreen tinted information available		1	I440/568
(1)	997 541 911 01	windscreen tinted upper part: dark green information available		1	I440/567
2	997 541 901 00	gasket windscreen		1	
3	997 545 911 00	rear window		1	I426
4	997 543 111 00	rear glass	/L	1	
(4)	997 543 112 00	rear glass	/R	1	
5	996 543 325 00	sealing frame	/L	1	
(5)	996 543 326 00	sealing frame rear glass	/R	1	
6	999 084 210 02	lock nut M 8		1	
7	996 543 611 02	gasket		2	
8	999 218 011 02	pan-head screw M 6 X 12		2	
9	999 025 270 02	washer 6,4 X 30 X 1,5		1	
10	996 543 625 00	sealing washer		1	
11	997 537 481 00	roof frame seal	/L	1	
(11)	997 537 482 00	roof frame seal	/R	1	
12	999 190 445 37	blind rivet 4,0 X 7,9		13	
13	999 190 450 37	blind rivet 4,0 X 6,3		7	
14	997 542 511 00	door glass	/L	1	
(14)	997 542 512 00	door glass	/R	1	
15	000 043 300 94	adhesive set TEROSTAT 8593		1	
-	000 043 206 47	care set side window see technical manual		X	

Model	Year	MG	SG	Illustration	Restrictions	Update	16:42	25.10.2006	PORSCHE	PET	PORSCHE
gt3-2	07	8	05	805-00		207					

Pos	Part Number	Name	Remarks	Qty	Model	Pos	Part Number	Name	Remarks	Qty	Model
		- - - E N D - - -									

Model	Year	MG	SG	Illustration	Restrictions	Update	16:42	25.10.2006	PORSCHE	PET	PORSCHE
gt3-2	07	8	07	807-00		207					

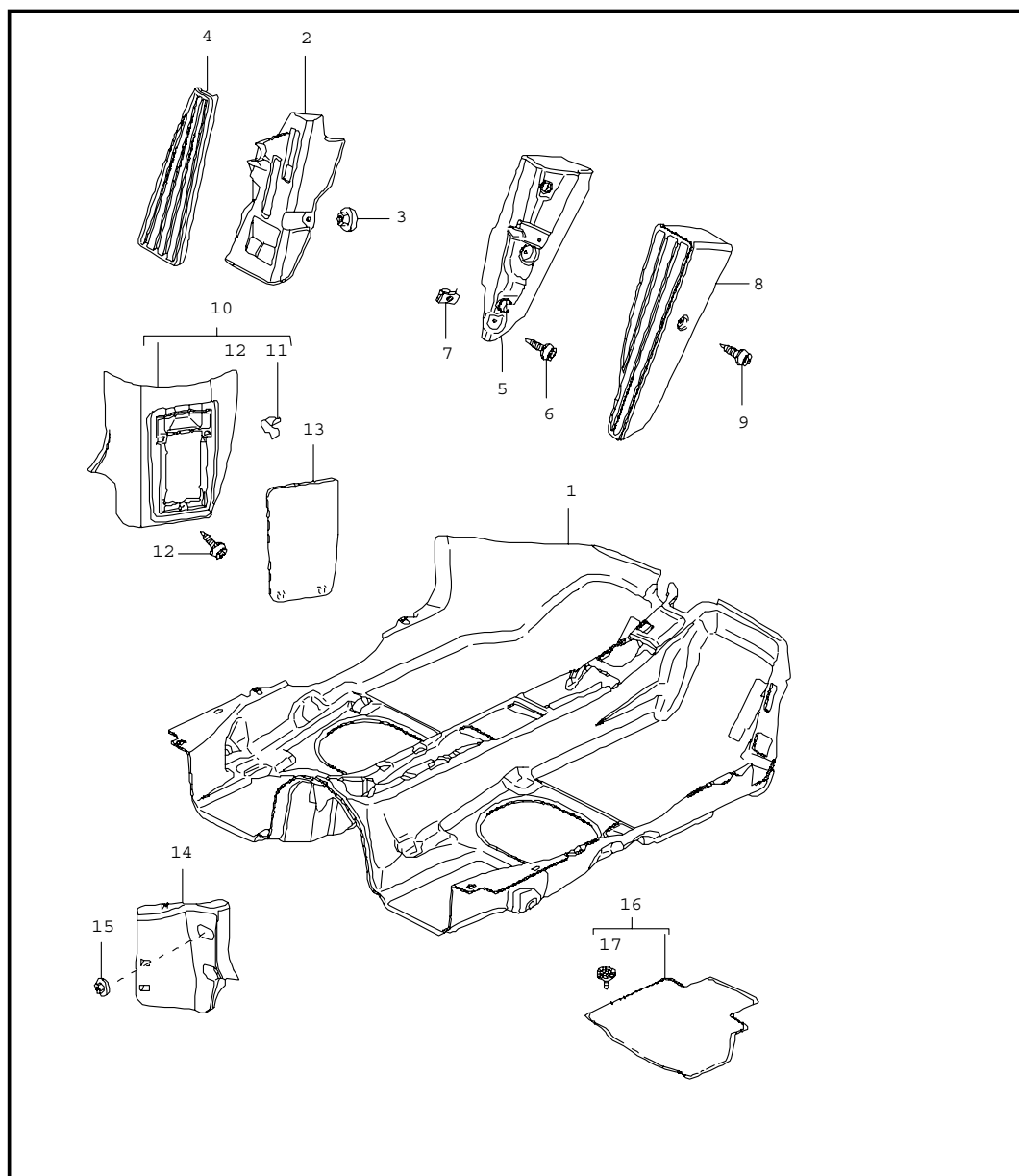


Pos	Part Number	Name	Remarks	Qty	Model
1	997 551 630 00	luggage compartment lining luggage compartment FMU black/black	/LL	1	I098
1	997 551 630 01	lining luggage compartment FMU black/black	/RL	1	I099
2	997 551 304 00	cover lining lower 02A black	/LL	1	I098
3	997 551 817 00	support hinge	/LL	2	I098
4	997 551 309 00	cover brake booster 02A black	/LL	1	I098
(4)	997 551 310 00	cover brake booster 02A black	/RL	1	I099
5	999 507 552 01	spring clamp 9 X 13/3,0		X	
6	999 073 048 02	tapping screw ST 3,5 X 13		X	
7	999 507 734 40	support ST 3,5		X	
8	997 551 771 02	support lining luggage compartment		1	
9	999 507 512 40	support ST 3,5		X	
10	997 551 772 02	support lining		1	
11	997 551 351 00	cover tool carpet A31 black		1	

Model	Year	MG	SG	Illustration	Restrictions	Update	16:42	25.10.2006	PORSCHE	PET	PORSCHE
gt3-2	07	8	07	807-00		207					

Pos	Part Number	Name	Remarks	Qty	Model	Pos	Part Number	Name	Remarks	Qty	Model
(11)	997 551 351 06	cover tool carpet	/RL	1	I099/670	21	997 551 501 00	cover compressed air bottle	/LL	1	I098
	A31	black					A31	black			
12	997 551 051 19	lining bulkhead carpet	/LL	1	I098	(21)	997 551 502 00	cover compressed air bottle	/RL	1	I099
	A31	black					A31	black			
(12)	997 551 051 22	lining bulkhead carpet	/RL	1	I099	22	997 551 415 00	adapter compressed air bottle		1	
	A31	black				24	997 551 805 01	eye luggage compartment front		1	
(12)	997 551 051 23	lining bulkhead carpet	/RL	1	I099/670		02A	black			
	A31	black				25	997 551 736 01	cover control unit		1	
(13)	997 551 045 90	lining luggage compartment pan carpet		1		26	999 073 061 02	tapping screw ST 4,8 X 16		X	
	A31	black				(27)	997 551 105 00	lining dvd	/RL	1	I099/670
14	999 049 006 40	plastic nut T5 / 30 X 7,5		2			02A	black			
15	997 551 807 00	cap nut		1		(28)	997 551 811 00	cover lining dvd	/RL	1	I099/670
(15)	999 703 455 41	cover		1	I490		02A	black			
16	997 551 121 90	foam part tool		1		29	997 551 741 00	retaining strap		1	I024
17	997 551 408 00	foam part luggage compartment pan	/LL/R	1	I098	(29)	997 551 741 00	retaining strap first-aid kit		1	I499
(17)	997 551 407 00	foam part luggage compartment pan	/RL/L	1	I099	34	997 556 623 00	plastic foam strip		2	I670
18	997 551 405 00	foam part compressor rear		1				- - - E N D - - -			
19	997 551 403 00	foam part compressor front		1							
20	997 551 412 00	foam part bulkhead		1							

Model	Year	MG	SG	Illustration	Restrictions	Update	16:42	25.10.2006	PORSCHE	PET	PORSCHE
gt3-2	07	8	07	807-02		207					

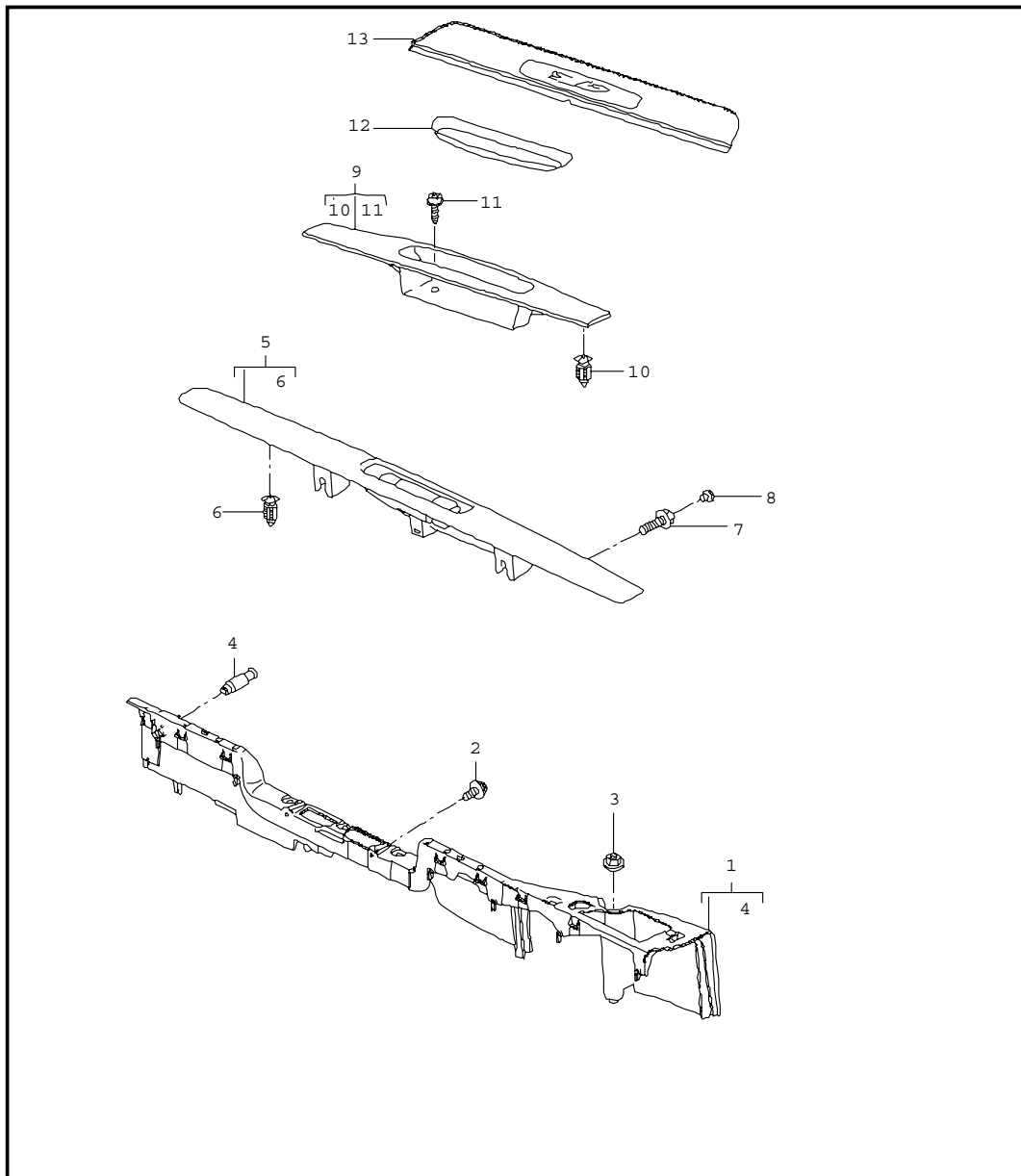


Pos	Part Number	Name	Remarks	Qty	Model
1	997 551 011 08	carpet linings carpet carpet	/LL	1	I098
		FLW black			
		FMD dark grey/natural			
(1)	997 551 011 09	carpet carpet	/RL	1	I099
		FLW black			
		FMD dark grey/natural			
(1)	997 551 011 90	carpet carpet		1	I098/003
		FLW black			
		FMD dark grey/natural			
(1)	997 551 011 91	carpet carpet		1	I099/003
		FLW black			
		FMD dark grey/natural			
--	997 551 813 00	protective film carpet	/LL	1	
--	997 551 815 00	protective film carpet	/RL	1	
2	997 551 211 00	foot support	/LL	1	
3	999 076 081 40	plastic nut T5/16 X 11,2 FUER mount foot support	/LL	2	
4	997 551 611 00	cover foot support	/LL	1	I098
		01C satin black			
(4)	997 551 986 00	cover foot support	/LL	1	IXXZ/098
5	997 551 212 00	foot support	/RL	1	I099

Model	Year	MG	SG	Illustration	Restrictions	Update	16:42	25.10.2006	PORSCHE	PET	PORSCHE
gt3-2	07	8	07	807-02		207					

Pos	Part Number	Name	Remarks	Qty	Model	Pos	Part Number	Name	Remarks	Qty	Model
6	999 073 060 02	tapping screw ST 4,8 X 13 for mount foot support	/RL	2	I099	(13)	997 551 622 00	cover lining fusebox	/RL	1	I099
							01C	satin black			
7	999 591 485 01	speed nut ST 4,8 for mount foot support	/RL	2		(14)	997 551 712 02	support carpet	/LL	1	I098
						(14)	997 551 711 02	support carpet	/RL	1	I099
8	997 551 612 00	cover foot support	/RL	1	I099	15	999 076 081 40	plastic nut T5/16 X 11,2 mount support carpet		2	
	01C	satin black									
9	999 919 188 09	oval-head screw 5,0 X 30 for mount cover foot support	/RL	1	I099	16	987 551 984 04	floor mat set perlon velour	/LL 07-	1	I098/810
							A41	black			
10	997 551 101 00	lining fusebox carpet	/LL	1	I098	(16)	987 551 984 05	floor mat set perlon velour	/RL 07-	1	I099/810
	A10	black					A41	black			
	D11	dark grey/natural				17	999 902 054 40	fastening plate for floor mats		4	
(10)	997 551 102 00	lining fusebox carpet	/RL	1	I099						
	A10	black									
	D11	dark grey/natural									
11	999 507 552 01	spring clamp 9,0 X 13/4,0		2							
12	999 919 161 09	oval-head screw 5,0 X 18 for mount lining fusebox		3							
13	997 551 621 00	cover lining fusebox	/LL	1	I098						
	01C	satin black									
								- - - E N D - - -			

Model	Year	MG	SG	Illustration	Restrictions	Update	16:42	25.10.2006	PORSCHE	PET	PORSCHE
gt3-2	07	8	07	807-03		207					



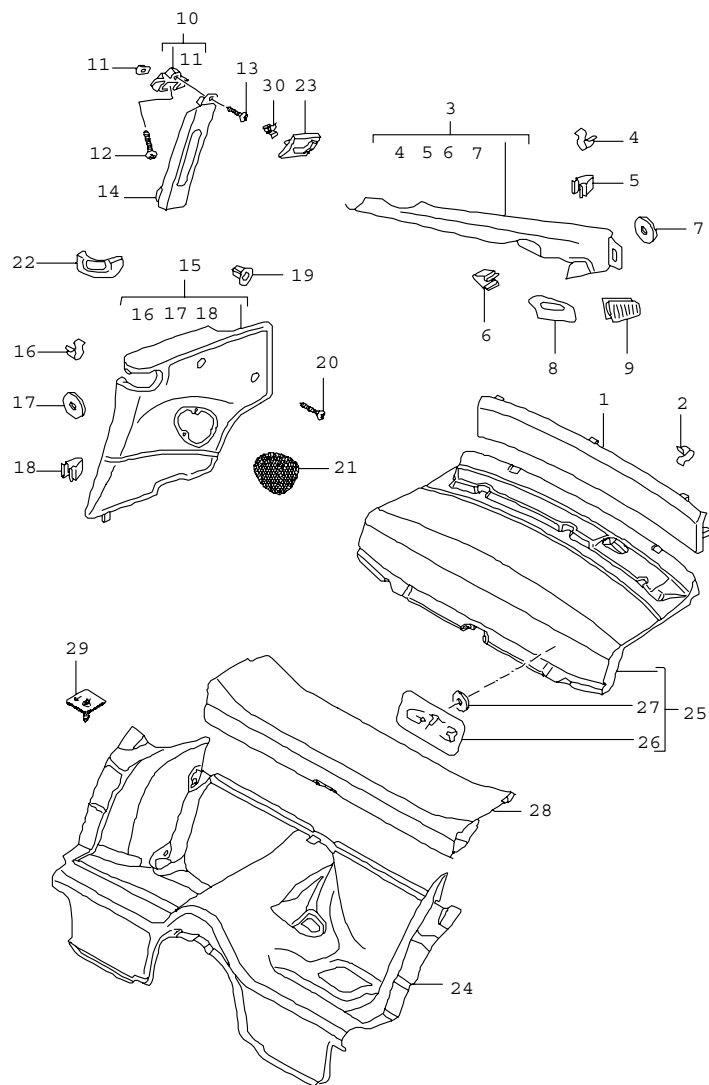
Pos	Part Number	Name	Remarks	Qty	Model
1	997 551 619 01	lining door sill	/L	1	
(1)	997 551 620 01	support door sill	/R	1	
2	900 143 082 01	tapping screw ST 6,3 X 13 for mount support door sill		4	
3	999 076 081 40	plastic nut T5 16 X 11,2 for mount support door sill		2	
4	996 551 873 00	locating peg for mount support door sill		2	
5	997 551 019 04	lining door sill driver's side	/LL	1	I098
	A03	black			
(5)	997 551 019 05	lining door sill driver's side	/RL	1	I099
	A03	black			
6	999 507 484 40	expander nut 9 X 22		6	
7	999 067 046 01	screw M 6 X 20		2	
8	999 703 443 40	plug 8,0 X 11		2	
	01C	satin black			
9	997 551 120 01	lining door sill passenger's side		1	
	A03	black			

Model	Year	MG	SG	Illustration	Restrictions	Update	16:42	25.10.2006	PORSCHE	PET	PORSCHE
gt3-2	07	8	07	807-03		207					

Pos	Part Number	Name	Remarks	Qty	Model	Pos	Part Number	Name	Remarks	Qty	Model
10	999 507 484 40	expander nut 9 X 22		6							
11	999 919 164 09	oval-head screw 5,0 X 12		1							
12	996 551 513 00	mat		1							
13	997 551 303 90	scuff plate lacquered		2							
	A03	black									
13	997 551 303 91	scuff plate lacquered		2	I004						
	A03	black									
		scuff plate exclusive see catalogue tequipment 8/07/06		1 1							
		- - - E N D - - -									

Model	Year	MG	SG	Illustration	Restrictions	Update	16:43	25.10.2006	PORSCHE	PET	PORSCHE
gt3-2	07	8	07	807-05		207					

Pos	Part Number	Name	Remarks	Qty	Model
1	997 555 081 00	linings rear rear wall carpet		1	I426
	A10	black			
	D11	dark grey/natural			
2	999 507 687 05	fixing clip 11,3		5	
3	997 555 187 00	lining c-pillar leatherette	/L	1	
	1MZ	black			
(3)	997 555 188 00	lining c-pillar leatherette	/R	1	
	1MZ	black			
3	997 555 187 01	lining c-pillar leather	/L	1	I981
	A11	black			
	D12	dark grey/natural			
(3)	997 555 188 01	lining c-pillar leather	/R	1	I981
	A11	black			
	D12	dark grey/natural			
4	999 507 533 02	clamp 8,0 X10,0/2,5		4	
5	999 507 479 09	clamp 2,5/09		6	
(5)	999 507 676 09	clamp 2,5/2,2		1	
6	999 651 307 02	cable clamp 18,0		2	
7	999 551 609 40	plastic washer 8,0 X 23 X 3,0		7	



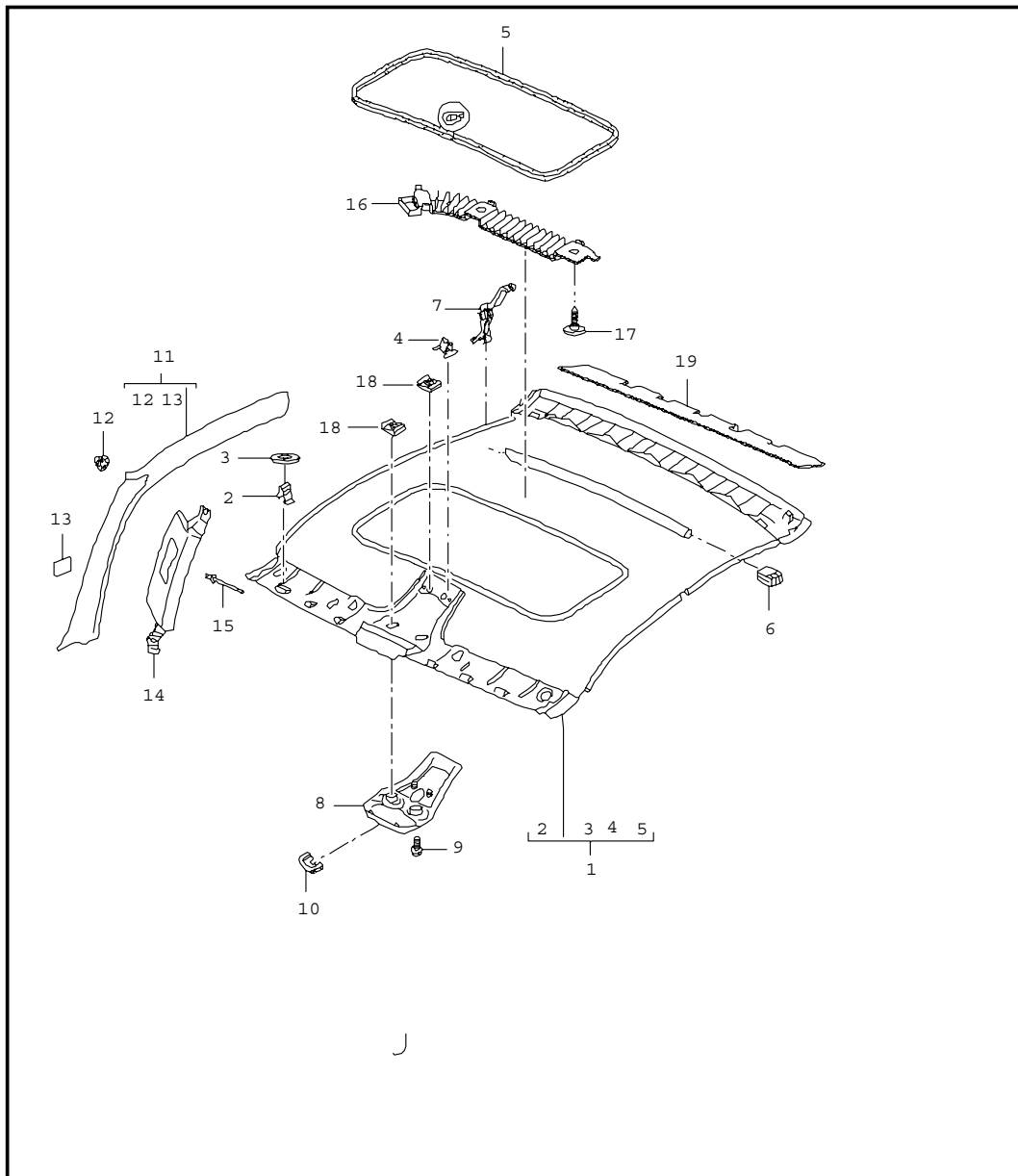
Model	Year	MG	SG	Illustration	Restrictions	Update	16:43	25.10.2006	PORSCHE	PET	PORSCHE
gt3-2	07	8	07	807-05		207					

Pos	Part Number	Name	Remarks	Qty	Model	Pos	Part Number	Name	Remarks	Qty	Model
8	997 555 545 90	rose seat belt rear	/L	1		(14)	997 555 184 01	lining b-pillar leather	/R	1	I981
	01C	satin black					A11	black			
(8)	997 555 546 90	rose seat belt rear	/R	1			D12	dark grey/natural			
	01C	satin black				--	996 555 859 00	grommet b-pillar		2	
9	996 555 645 00	grille bleeding lacquered	/L	1		15	997 555 071 09	side trim panel leatherette	/L	1	
	A03	black					1MZ	black			
(9)	996 555 646 00	grille bleeding lacquered	/L	1		(15)	997 555 072 09	side trim panel leatherette	/R	1	
	A03	black					1MZ	black			
10	996 555 821 02	bracket coat hook	/L	1		15	997 555 071 10	side trim panel leather	/L	1	I981
(10)	996 555 822 02	bracket coat hook	/R	1			FSA	black/grey			
11	999 507 695 02	speed nut ST 4,8		2			FSH	darkgrey natural/grey			
12	999 073 128 01	tapping screw 6,3 X 14		2		(15)	997 555 072 10	side trim panel leather	/R	1	I981
13	999 073 060 02	tapping screw 4,8 X 13		2			FSA	black/grey			
14	997 555 183 00	lining b-pillar leatherette	/L	1			FSH	darkgrey natural/grey			
	1MZ	black				16	999 507 676 09	clamp 2,5/2,2		2	
(14)	997 555 184 00	lining b-pillar leatherette	/R	1		17	999 551 609 40	plastic washer 8,0 X 23 X 3,0		2	
	1MZ	black				18	999 507 533 02	clamp 8.0 X 10 /2,5		1	
14	997 555 183 01	lining b-pillar leather	/L	1	I981	19	999 507 050 40	expander nut ST 4,2		2	
	A11	black				20	999 073 142 09	tapping screw ST 4,2 X 19		2	
	D12	dark grey/natural				21	997 555 049 00	loudspeaker grille side trim panel lacquered	/L	1	
							A03	black			

Model	Year	MG	SG	Illustration	Restrictions	Update	16:43	25.10.2006	PORSCHE	PET	PORSCHE
gt3-2	07	8	07	807-05		207					

Pos	Part Number	Name	Remarks	Qty	Model	Pos	Part Number	Name	Remarks	Qty	Model
(21)	997 555 050 00	loudspeaker grille side trim panel lacquered	/R	1			D11	dark grey/natural			
	A03	black				--	996 551 561 00	desk pad		1	
22	997 555 061 00	rose seat belt lacquered	/L	1		26	996 551 305 90	logo gt3		1	
	A03	black					A03	black			
(22)	997 555 062 00	rose seat belt lacquered	/R	1		(26)	997 551 355 90	logo RS		1	I004
	A03	black					A03	black			
23	997 555 573 00	coat hook lacquered	/L	1		27	997 551 897 00	lock washer for mount logo		3	
	A03	black									
(23)	997 555 574 00	coat hook lacquered	/R	1		28	997 551 033 00	lining control units carpet		1	
	A03	black					A10	black			
24	997 551 021 90	adhesive carpet seat well carpet		1		(28)	997 551 033 90	lining control units carpet		1	I003
	A10	black					A10	black			
	D11	dark grey/natural					D11	dark grey/natural			
(25)	997 551 031 90	adhesive carpet rear wall carpet		1		30	999 507 476 01	clamp 8,0 x 10 / 2,5 mount coat hook		2	
	A10	black									
	D11	dark grey/natural									
(25)	997 551 031 91	adhesive carpet rear wall carpet		1	I479						
	A10	black									
	D11	dark grey/natural									
(25)	997 551 031 93	adhesive carpet rear wall carpet		1	I004						
	A10	black									

Model	Year	MG	SG	Illustration	Restrictions	Update	16:43	25.10.2006	PORSCHE	PET	PORSCHE
gt3-2	07	8	07	807-08		207					

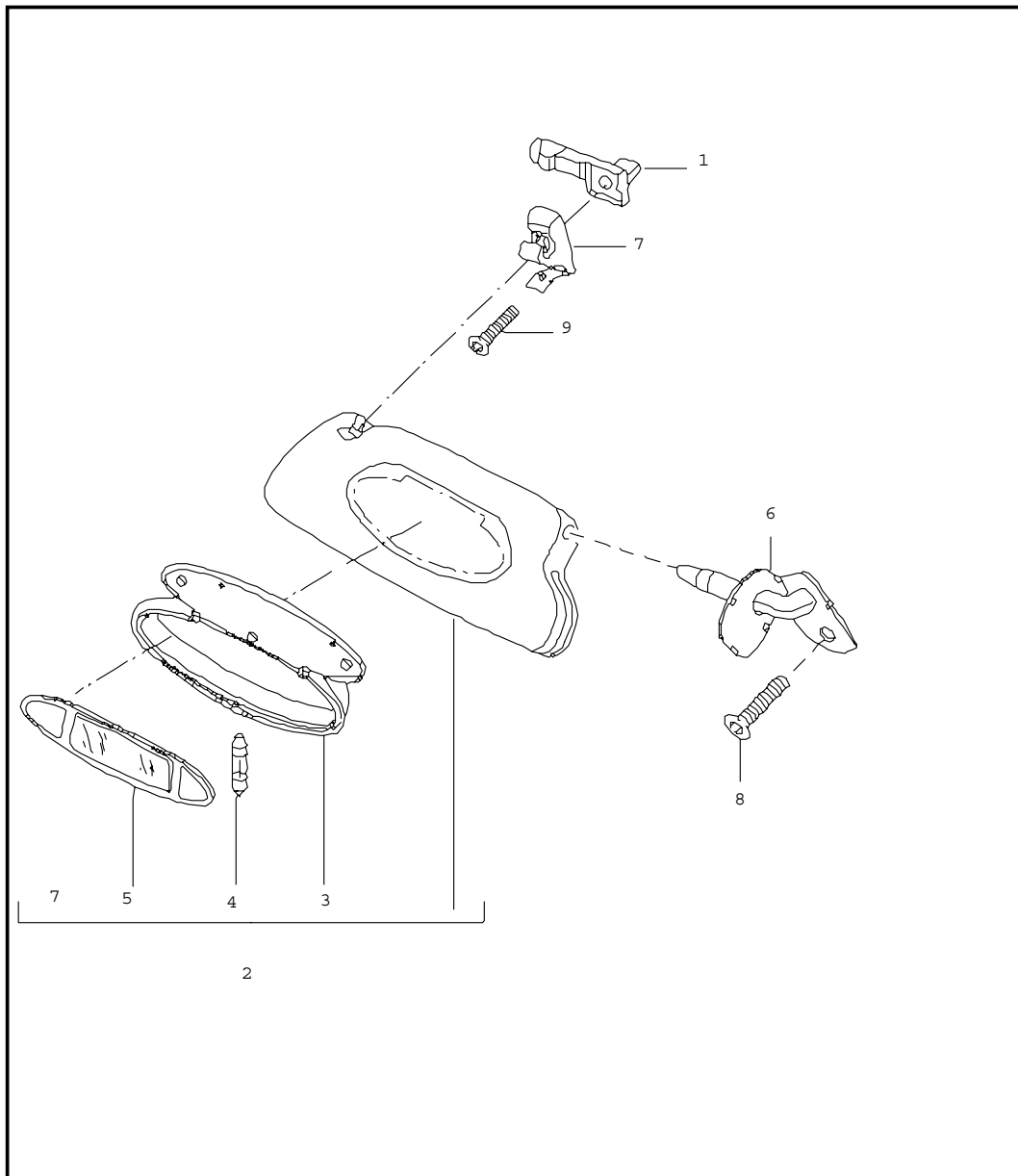


Pos	Part Number	Name	Remarks	Qty	Model
1	997 555 091 02	rooflining a-pillar		1	I652
	A14	black			
(1)	997 555 091 03	rooflining alcantara		1	I650
	A14	black			
2	999 507 479 09	clamp 2,5/0,9		6	
3	999 551 609 40	plastic washer 8,0 X 23 X 3,0		6	
4	999 507 533 02	clamp 8 X 10/2,5		2	I650
5	996 564 231 02	piping		1	I650
6	997 555 823 00	support transverse strut		2	I650
7	996 555 691 02	clip mount rooflining		8	
(8)	996 555 557 09	cover interior light		1	I650
	A03	black			
8	996 555 557 11	cover interior light		1	I652
	A03	black			
9	999 073 061 02	tapping screw 4,8 X 16		X	
10	996 555 619 00	grommet wiring harness rain sensor		1	
(11)	997 555 181 04	lining a-pillar leatherette	/L	1	
	1MZ	black			
(11)	997 555 182 04	lining a-pillar leatherette	/R	1	

Model	Year	MG	SG	Illustration	Restrictions	Update	16:43	25.10.2006	PORSCHE	PET	PORSCHE
gt3-2	07	8	07	807-08		207					

Pos	Part Number	Name	Remarks	Qty	Model	Pos	Part Number	Name	Remarks	Qty	Model
	1MZ	black									
(11)	997 555 181 05	lining a-pillar leather	/L	1	I981						
	A11	black									
	D12	dark grey/natural									
(11)	997 555 182 05	lining a-pillar leather	/R	1	I981						
	A11	black									
	D12	dark grey/natural									
12	999 507 681 01	clamp 2,5/3,0		5							
(12)	999 507 839 01	clamp 3,5		2							
(12)	999 507 047 09	clamp 3,6		3							
13	999 551 134 40	adhesive tape 20 X 65		5							
15	999 190 184 01	blind rivet 4,0 X 8,5		8							
18	999 591 348 02	speed nut St 4,8		X							
19	997 556 603 00	sound absorber tensioner rear		1							
		- - - E N D - - -									

Model	Year	MG	SG	Illustration	Restrictions	Update	16:43	25.10.2006	PORSCHE	PET	PORSCHE
gt3-2	07	8	07	807-09		207					

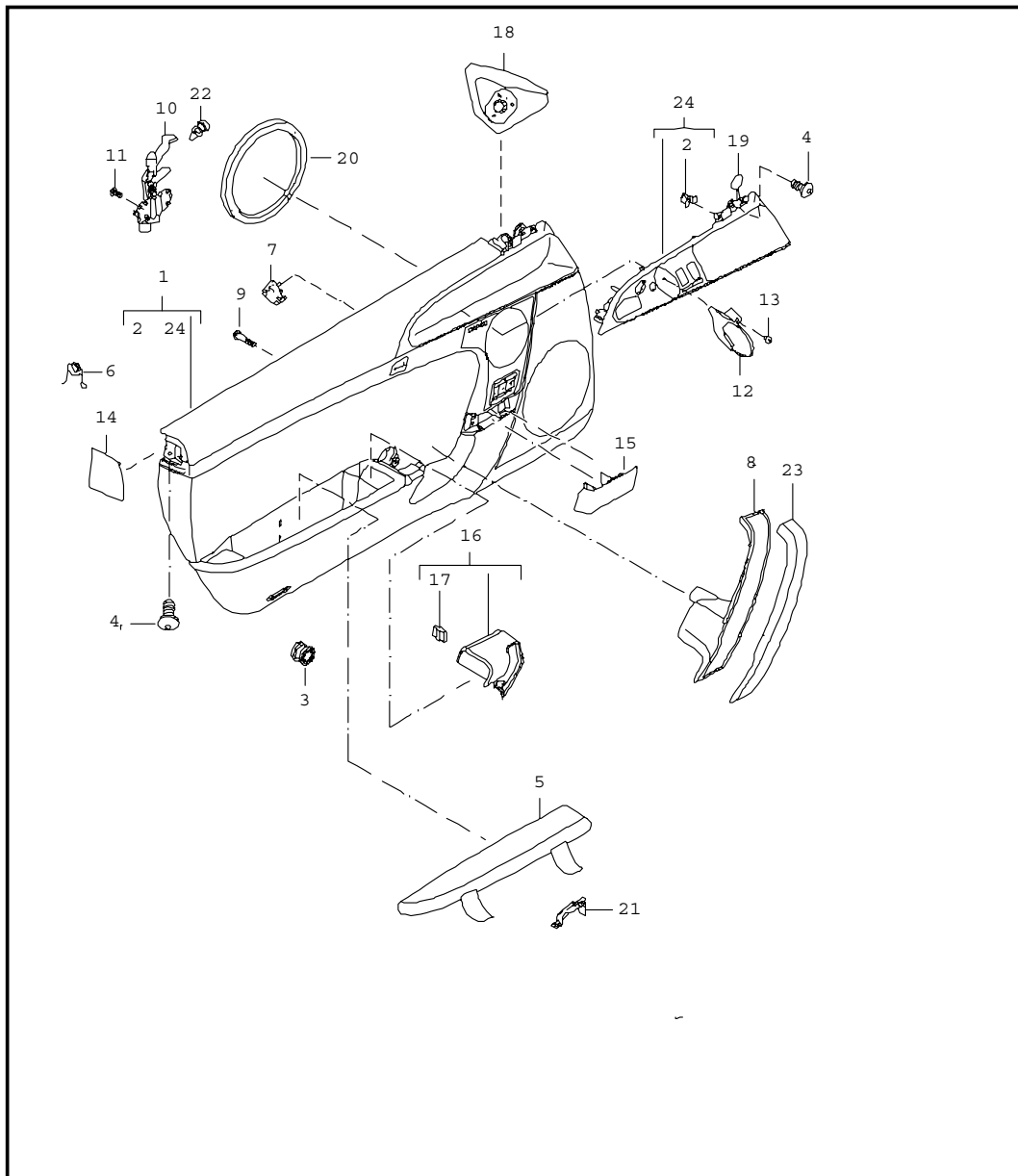


Pos	Part Number	Name	Remarks	Qty	Model
		sun visors			
1	986 731 541 01	plate for sun visors		2	
2	997 731 031 00	sun visor leatherette	/L	1	
	A12	black			
(2)	997 731 032 00	sun visor leatherette	/R	1	
	A12	black			
3	996 731 903 00	mirror housing with illumination		1	
	01C	satın black			
4	999 631 147 90	bulb 3 W		4	
5	996 731 531 01	mirror glass with frame		2	
	01C	satın black			
(6)	997 731 461 00	mounting	/L	1	
	01C	satın black			
(6)	997 731 462 00	mounting	/R	1	
	01C	satın black			
7	996 731 341 00	support sun visor	/L	1	
	01C	satın black			
(7)	996 731 342 00	support sun visor	/R	1	
	01C	satın black			
8	999 073 326 09	oval-head screw M 5 X 10		2	
(8)	999 500 093 02	nut M 5		2	
9	999 919 120 09	oval-head screw 4 x 18		1	

Model	Year	MG	SG	Illustration	Restrictions	Update					
gt3-2	07	8	07	807-09		207	16:43	25.10.2006	PORSCHE	PET	PORSCHE

Pos	Part Number	Name	Remarks	Qty	Model	Pos	Part Number	Name	Remarks	Qty	Model
		- - - E N D - - -									

Model	Year	MG	SG	Illustration	Restrictions	Update	16:43	25.10.2006	PORSCHE	PET	PORSCHE
gt3-2	07	8	07	807-10		207					



Pos	Part Number	Name	Remarks	Qty	Model
		door trim panel accessories			
1	997 555 201 00	door trim panel leatherette	/LL/L	1	I098/375/377
	9L4	black			
1	997 555 201 04	door trim panel leatherette	/LL/L	1	I098/375/377 I490
	9L4	black			
(1)	997 555 202 24	door trim panel leatherette	/LL/R	1	I098/376/378
	9L4	black			
(1)	997 555 202 26	door trim panel leatherette	/LL/R	1	I098/376/378 I490
	9L4	black			
(1)	997 555 202 00	door trim panel leatherette	/RL/R	1	I099/376/378
	9L4	black			
(1)	997 555 202 04	door trim panel leatherette	/RL/R	1	I099/376/378 I490
	9L4	black			
(1)	997 555 201 24	door trim panel leatherette	/RL/L	1	I099/375/377
	9L4	black			
(1)	997 555 201 26	door trim panel leatherette	/RL/L	1	I099/375/377 I490
	9L4	black			
(1)	997 555 201 50	door trim panel leather/alcantara	/LL/L	1	I098/375/377 I981
	FSM	black/black			
	FSN	darkgreynatural/black			

Model	Year	MG	SG	Illustration	Restrictions	Update	16:43	25.10.2006	PORSCHE	PET	PORSCHE
gt3-2	07	8	07	807-10		207					

Pos	Part Number	Name	Remarks	Qty	Model	Pos	Part Number	Name	Remarks	Qty	Model
(1)	997 555 202 52	door trim panel leather/ alcantara FSM black/black FSN darkgreynatural/black	/LL/R	1	I098/376/378 I981		FSO	black/grey			
						6	997 555 833 00	spring for cover shelf	/L	1	I375/377
(1)	997 555 202 50	door trim panel leather/ alcantara FSM black/black FSN darkgreynatural/black	/RL/R	1	I099/376/378 I981	(6)	997 555 834 00	spring for cover shelf	/R	1	I376/378
						7	997 555 841 00	damper shelf		1	I375/376/377 I378
(1)	997 555 201 52	door trim panel leather/ alcantara FSM black/black FSN darkgreynatural/black	/RL/L	1	I099/375/377 I981	(8)	997 555 261 01	handle lower part	/L	1	
							A11	black			
						(8)	997 555 262 01	handle lower part	/R	1	
							A11	black			
2	999 507 533 02	clamp 8,0X 10/2,5		2		8	997 555 261 02	handle lower part	/L	1	I981
							A14	black			
3	955 555 243 00	fixing clip for mount door trim panel		9		(8)	997 555 262 02	handle lower part	/R	1	I981
							A14	black			
4	999 073 322 02	oval-head screw M 6 X 20 for mount door trim panel		5		9	999 919 229 02	oval-head screw 6,0 X 40,0 for mount handle		2	
5	997 555 221 01	cover shelf FSA black	/L	1	I375/377	10	997 555 381 01	mounting for shaft	/L	1	
(5)	997 555 222 01	cover shelf FSA black	/R	1	I376/378	(10)	997 555 382 01	mounting for shaft	/R	1	
(5)	997 555 221 02	cover shelf FSO black/grey	/L	1	I375/377/981	11	999 919 164 09	oval-head screw 5 X 12 for mount mounting for shaft		3	
(5)	997 555 222 02	cover shelf	/R	1	I376/378/981	12	997 555 461 00	lever door opener V05 galvano silver	/L	1	

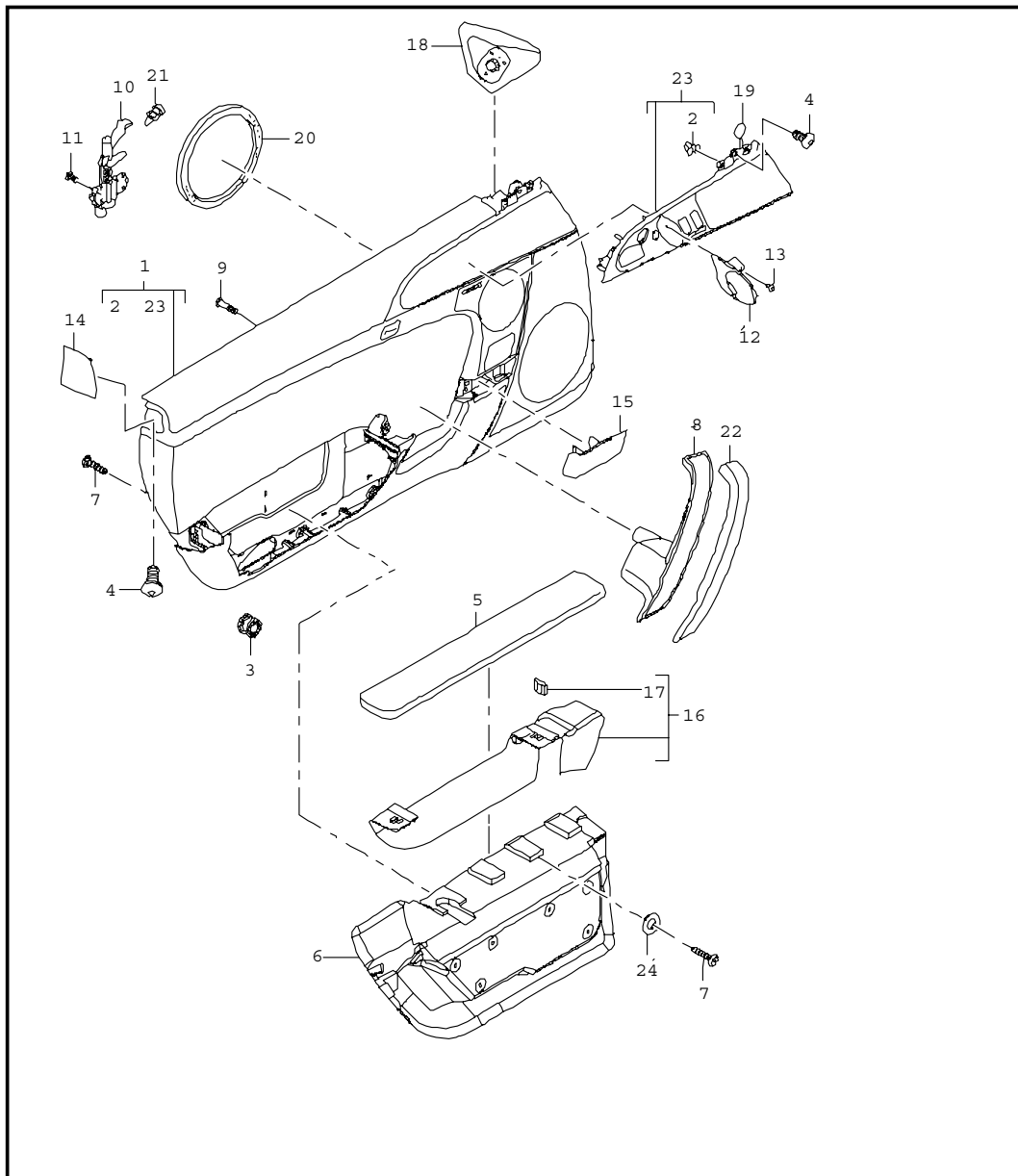
Model	Year	MG	SG	Illustration	Restrictions	Update	16:43	25.10.2006	PORSCHE	PET	PORSCHE
gt3-2	07	8	07	807-10		207					

Pos	Part Number	Name	Remarks	Qty	Model	Pos	Part Number	Name	Remarks	Qty	Model
(12)	997 555 462 00	lever door opener	/R	1		18	997 555 685 02	cover door mirror driver's side lacquered	/LL	1	I098
	V05	galvano silver					A03	black			
13	999 919 164 09	oval-head screw 5 X 12 for mount lever door opener		1		(18)	997 555 686 03	cover door mirror driver's side lacquered	/RL	1	I099
14	997 555 683 00	cap airbag	/L	1			A03	black			
	A03	black				(18)	997 555 686 02	cover door mirror passenger's side lacquered	/LL	1	I098
(14)	997 555 684 00	cap airbag	/R	1			A03	black			
	A03	black				(18)	997 555 685 03	cover door mirror passenger's side lacquered	/RL	1	I099
15	997 555 643 01	cover front lacquered	/L	1			A03	black			
	A03	black				19	997 555 577 00	cap handle liner		1	
(15)	997 555 644 01	cover front lacquered	/R	1			A03	black			
	A03	black				20	997 555 895 00	plastic foam strip for woofer		1	
16	997 555 431 01	cover door handle	/L	1	I375/377	21	997 555 597 00	spacer lid hinge		2	I375/376/377 I378
	FSA	black/grey				22	999 702 281 40	grommet mounting for shaft		1	
(16)	997 555 432 01	cover door handle	/R	1	I376/378	23	997 555 271 01	handle upper part	/L	1	
	FSA	black/grey					FSA	black/grey			
(16)	997 555 431 03	cover door handle	/L	1	I375/377/981	(23)	997 555 272 01	handle upper part	/R	1	
	FSA	black/grey					FSA	black/grey			
(16)	997 555 432 03	cover door handle	/R	1	I376/378/981	(23)	997 555 271 02	handle upper part	/L	1	I981
	FSA	black/grey					FSA	black/grey			
17	999 591 380 02	cable clamp		4							

Model	Year	MG	SG	Illustration	Restrictions	Update	16:43	25.10.2006	PORSCHE	PET	PORSCHE
gt3-2	07	8	07	807-10		207					

Pos	Part Number	Name	Remarks	Qty	Model	Pos	Part Number	Name	Remarks	Qty	Model
(23)	997 555 272 02	handle upper part	/R	1	I981		D12	dark grey/natural			
	FSO	black/grey				24	997 555 985 03	insert handle liner carbon	/LL/L	1	IXGE/098
24	997 555 351 03	insert handle liner lacquered	/LL/L	1	I098		A35	black			
	A03	black				(24)	997 555 986 03	insert handle liner carbon	/LL/R	1	IXGE/098
24	997 555 352 04	insert handle liner lacquered	/LL/R	1	I098		A35	black			
	A03	black				(24)	997 555 986 04	insert handle liner carbon	/RL/R	1	IXGE/099
(24)	997 555 352 03	insert handle liner lacquered	/RL/R	1	I099		A35	black			
	A03	black				(24)	997 555 985 05	insert handle liner carbon	/RL/L	1	IXGE/099
(24)	997 555 351 04	insert handle liner lacquered	/RL/L	1	I099		A35	black			
	A03	black						- - - E N D - - -			
24	997 555 985 00	insert handle liner leather	/LL/L	1	IXTV/098						
	A11	black									
	D12	dark grey/natural									
(24)	997 555 986 00	insert handle liner leather	/LL/R	1	IXTV/098						
	A11	black									
	D12	dark grey/natural									
(24)	997 555 986 01	insert handle liner leather	/RL/R	1	IXTV/098						
	A11	black									
	D12	dark grey/natural									
(24)	997 555 985 02	insert handle liner leather	/RL/L	1	IXTV/099						
	A11	black									

Model	Year	MG	SG	Illustration	Restrictions	Update	16:43	25.10.2006	PORSCHE	PET	PORSCHE
gt3-2	07	8	07	807-11		207					



Pos	Part Number	Name	Remarks	Qty	Model
		door trim panel accessories for cars with bucket seat gt			
(1)	997 555 201 58	door trim panel leatherette	/LL/L	1	I098/384
	9L4	black			
(1)	997 555 201 67	door trim panel leatherette	/LL/L	1	I098/384/490
	9L4	black			
(1)	997 555 202 59	door trim panel leatherette	/LL/R	1	I098/385
	9L4	black			
(1)	997 555 202 70	door trim panel leatherette	/LL/R	1	I098/385/490
	9L4	black			
(1)	997 555 202 58	door trim panel leatherette	/RL/R	1	I099/385
	9L4	black			
(1)	997 555 202 67	door trim panel leatherette	/RL/R	1	I099/385/490
	9L4	black			
(1)	997 555 201 59	door trim panel leatherette	/RL/L	1	I099/384
	9L4	black			
(1)	997 555 201 70	door trim panel leatherette	/RL/L	1	I099/384/490
	9L4	black			
(1)	997 555 201 62	door trim panel leather/alcantara	/LL/L	1	I098/384/490 I981
	FSM	black/black			
	FNS	darkgreynatural/black			

Model	Year	MG	SG	Illustration	Restrictions	Update	16:43	25.10.2006	PORSCHE	PET	PORSCHE
gt3-2	07	8	07	807-11		207					

Pos	Part Number	Name	Remarks	Qty	Model	Pos	Part Number	Name	Remarks	Qty	Model
(1)	997 555 202 63	door trim panel leather/ alcantara FSM black/black FSN darkgreynatural/black	/LL/R	1	I098/385/490 I981	(6)	997 555 492 90	padding door trim panel FSA black/grey FSH darkgrey natural/grey	/R	1	I385
(1)	997 555 202 62	door trim panel leather/ alcantara FSM black/black FSN darkgreynatural/black	/RL/R	1	I099/385/490 I981	7	999 919 237 00	oval-head screw 5 x 20		X	I384/385
(1)	997 555 201 63	door trim panel leather/ alcantara FSM black/black FSN darkgreynatural/black	/RL/L	1	I099/384/490 I981	(8)	997 555 261 01	handle lower part A11 black	/L	1	
2	999 507 533 02	clamp 8,0X 10/2,5		2		(8)	997 555 262 01	handle lower part A11 black	/R	1	
3	955 555 243 00	fixing clip for mount door trim panel		9		8	997 555 261 02	handle lower part A14 black	/L	1	I981
4	999 073 322 02	oval-head screw M 6 X 20 for mount door trim panel		5		(8)	997 555 262 02	handle lower part A14 black	/R	1	I981
5	997 555 241 90	armrest alcantara A14 black	/L	1	I384	9	999 919 229 02	oval-head screw 6,0 X 40,0 for mount handle		2	
5	997 555 242 90	armrest alcantara A14 black	/R	1	I385	10	997 555 381 01	mounting for shaft	/L	1	
6	997 555 491 90	padding door trim panel FSA black/grey FSH darkgrey natural/grey	/L	1	I384	(10)	997 555 382 01	mounting for shaft	/R	1	
						11	999 919 164 09	oval-head screw 5 X 12 for mount mounting for shaft		3	
						12	997 555 461 00	lever door opener V05 galvano silver	/L	1	
						(12)	997 555 462 00	lever door opener V05 galvano silver	/R	1	

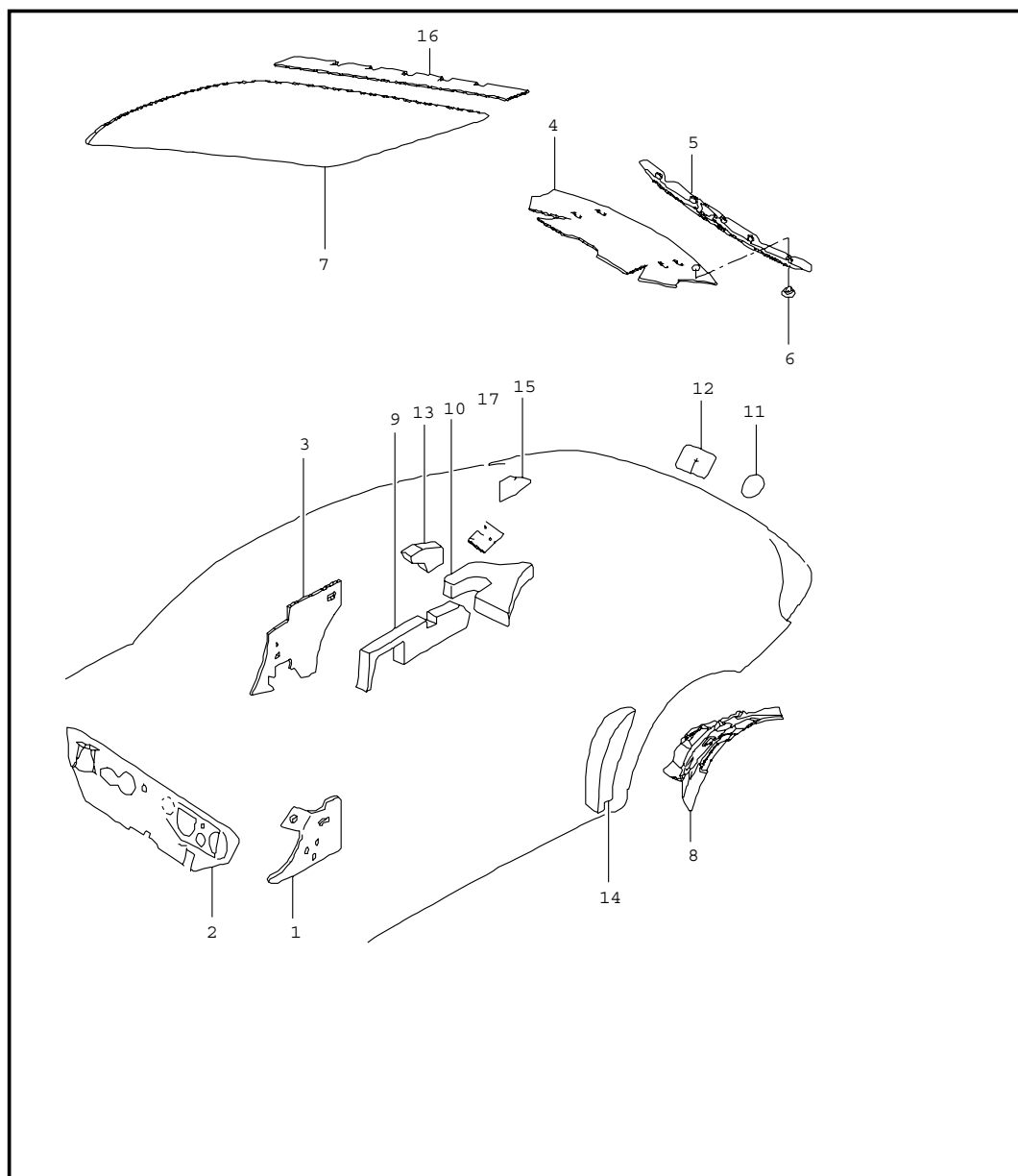
Model	Year	MG	SG	Illustration	Restrictions	Update	16:43	25.10.2006	PORSCHE	PET	PORSCHE
gt3-2	07	8	07	807-11		207					

Pos	Part Number	Name	Remarks	Qty	Model	Pos	Part Number	Name	Remarks	Qty	Model
13	999 919 164 09	oval-head screw 5 X 12 for mount lever door opener		1		(18)	997 555 686 02	cover door mirror passenger's side lacquered	/LL	1	I098
	A03	black									
14	997 555 683 00	cap airbag	/L	1		(18)	997 555 685 03	cover door mirror passenger's side lacquered	/RL	1	I099
	A03	black									
(14)	997 555 684 00	cap airbag	/R	1			A03	black			
	A03	black				19	997 555 577 00	cap handle liner		1	
	A03	black					A03	black			
15	997 555 643 01	cover front lacquered	/L	1		20	997 555 895 00	plastic foam strip for woofer		1	
	A03	black									
(15)	997 555 644 01	cover front lacquered	/R	1		21	999 702 281 40	grommet mounting for shaft		1	
	A03	black									
(16)	997 555 431 90	cover padding	/L	1	I384	22	997 555 271 01	handle upper part	/L	1	
	A14	black					FSA	black/grey			
(16)	997 555 432 90	cover padding	/R	1	I385	(22)	997 555 272 01	handle upper part	/R	1	
	A14	black					FSA	black/grey			
17	999 591 380 02	cable clamp		4		(22)	997 555 271 02	handle upper part	/L	1	I981
							FSA	black/grey			
18	997 555 685 02	cover door mirror driver's side lacquered	/LL	1	I098	(22)	997 555 272 02	handle upper part	/R	1	I981
	A03	black					FSA	black/grey			
(18)	997 555 686 03	cover door mirror driver's side lacquered	/RL	1	I099	23	997 555 351 03	insert handle liner lacquered	/LL/L	1	I098
	A03	black					A03	black			
	A03	black				23	997 555 352 04	insert handle liner lacquered	/RL/R	1	I098
							A03	black			

Model	Year	MG	SG	Illustration	Restrictions	Update	16:43	25.10.2006	PORSCHE	PET	PORSCHE
gt3-2	07	8	07	807-11		207					

Pos	Part Number	Name	Remarks	Qty	Model	Pos	Part Number	Name	Remarks	Qty	Model
(23)	997 555 352 03	insert handle liner lacquered A03 black	/RL/R	1	I099	(23)	997 555 986 04	insert handle liner carbon A35 black	/RL/R	1	IXGE/099
(23)	997 555 351 04	insert handle liner lacquered A03 black	/RL/L	1	I099	(23)	997 555 985 05	insert handle liner carbon A35 black	/RL/L	1	IXGE/098
23	997 555 985 00	insert handle liner leather A11 black D12 dark grey/natural	/LL/L	1	IXTV/098	24	900 151 027 03	washer - - - E N D - - -		7	
(23)	997 555 986 00	insert handle liner leather A11 black D12 dark grey/natural	/LL/R	1	IXTV/098						
(23)	997 555 986 01	insert handle liner leather A11 black D12 dark grey/natural	/RL/R	1	IXTV/098						
(23)	997 555 985 02	insert handle liner leather A11 black D12 dark grey/natural	/RL/L	1	IXTV/099						
23	997 555 985 03	insert handle liner carbon A35 black	/LL/L	1	IXGE/098						
23	997 555 986 03	insert handle liner carbon A35 black	/LL/R	1	IXGE/098						

Model	Year	MG	SG	Illustration	Restrictions	Update	16:44	25.10.2006	PORSCHE	PET	PORSCHE
gt3-2	07	8	07	807-15		207					

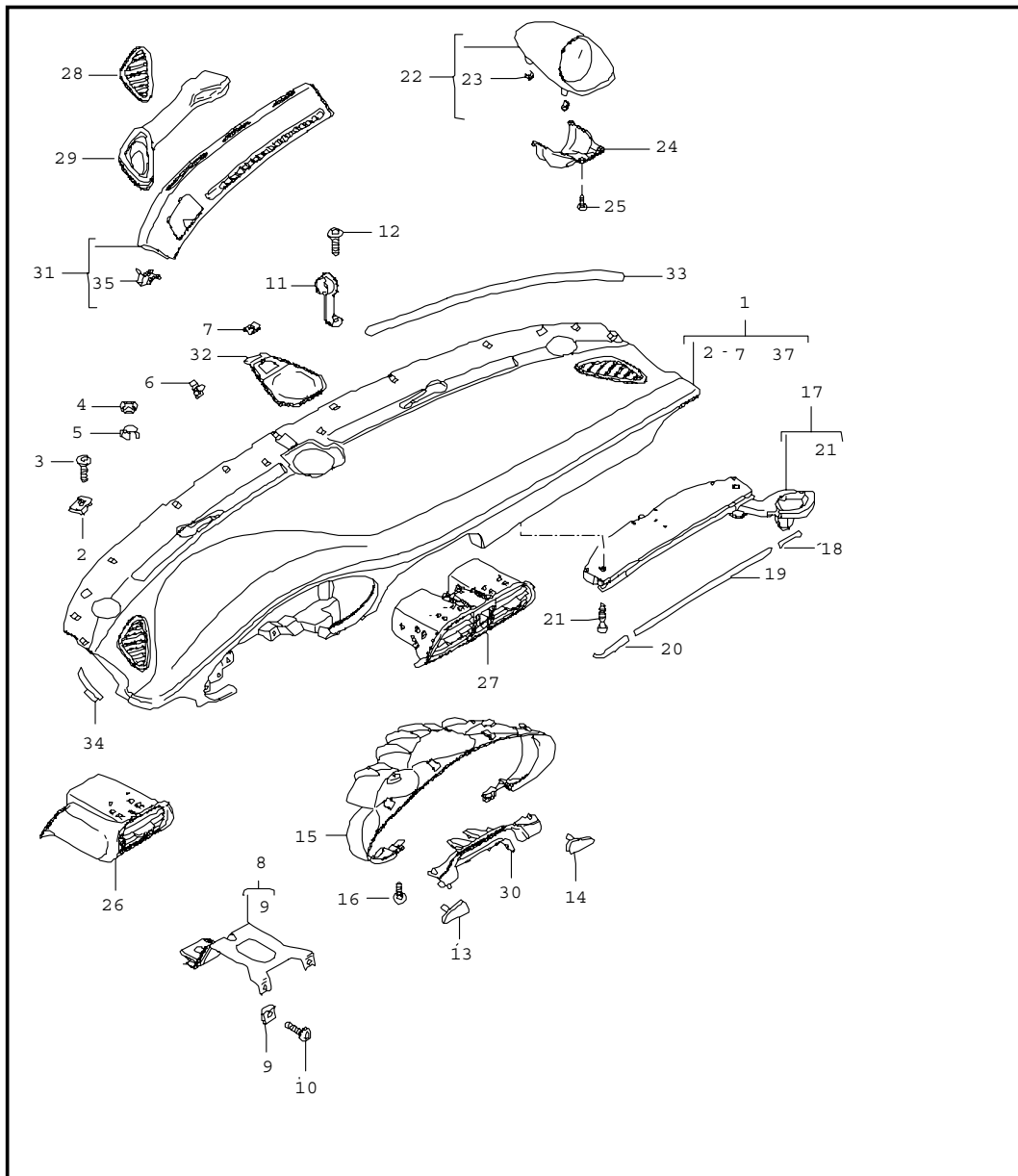


Pos	Part Number	Name	Remarks	Qty	Model
		body sound proofing 1			
1	997 556 605 00	sound absorber wheel housing front	/L	1	
(1)	997 556 606 00	sound absorber wheel housing front	/R	1	
2	997 556 723 00	sound absorber firewall	/LL	1	I098
(2)	997 556 724 00	sound absorber firewall	/RL	1	I099
3	997 556 655 00	sound absorber side trim panel	/L	1	
(3)	997 556 656 00	sound absorber side trim panel	/R	1	
4	997 556 711 02	sound absorber engine compartment		1	
5	996 556 761 01	retaining strip engine compartment		1	
6	999 049 020 40	plastic nut T5/30 X 5,1		5	
7	997 556 647 00	sound absorber roof		1	I652
8	997 556 657 00	sound absorber wheel-housing liner rear	/L	1	
(8)	997 556 658 00	sound absorber wheel-housing liner rear	/R	1	
9	997 556 571 02	sound absorber side trim panel		2	
10	997 556 811 01	filler piece wheel housing	/L	1	
(10)	997 556 812 01	filler piece wheel housing	/R	1	
11	997 556 807 00	sound absorber 40,0 end plate rear end		2	

Model	Year	MG	SG	Illustration	Restrictions	Update	16:44	25.10.2006	PORSCHE	PET	PORSCHE
gt3-2	07	8	07	807-15		207					

Pos	Part Number	Name	Remarks	Qty	Model	Pos	Part Number	Name	Remarks	Qty	Model
12	997 556 805 00	sound absorber 120 X 90 end plate rear end		1							
13	997 556 803 00	filler piece seat well		2							
14	997 556 513 02	sound absorber b-pillar		2							
15	997 556 619 00	sound absorber air duct	/L	1							
(15)	997 556 620 00	sound absorber air duct	/R	1							
16	997 556 603 00	sound absorber tensioner rear		1							
17	997 556 613 00	sound absorber mounting spring strut	/L	1							
(17)	997 556 614 00	sound absorber mounting spring strut	/R	1							
		- - - E N D - - -									

Model	Year	MG	SG	Illustration	Restrictions	Update	16:44	25.10.2006	PORSCHE	PET	PORSCHE
gt3-2	07	8	09	809-00		207					



Pos	Part Number	Name	Remarks	Qty	Model
		dashboard trim upper part with accessories			
1	997 552 101 06	dashboard upper part leatherette	/LL	1	I098
	9L4	black			
(1)	997 552 102 06	dashboard upper part leatherette	/RL	1	I099
	9L4	black			
1	997 552 101 08	dashboard upper part leatherette	/LL	1	I098/639/640
	9L4	black			
1	997 552 102 08	dashboard upper part leatherette	/RL	1	I099/639/640
	9L4	black			
1	997 552 101 07	dashboard upper part leather	/LL	1	I098/981
	FSA	black/grey			
	FSH	darkgrey natural/grey			
(1)	997 552 102 07	dashboard upper part leather	/RL	1	I099/981
	FSA	black/grey			
	FSH	darkgrey natural/grey			
1	997 552 101 09	dashboard upper part leather	/LL	1	I639/640/981
	FSA	black/grey			
	FSH	darkgrey natural/grey			
(1)	997 552 102 09	dashboard upper part leather	/RL	1	I639/640/981
	FSA	black/grey			

Model	Year	MG	SG	Illustration	Restrictions	Update	16:44	25.10.2006	PORSCHE	PET	PORSCHE
gt3-2	07	8	09	809-00		207					

Pos	Part Number	Name	Remarks	Qty	Model	Pos	Part Number	Name	Remarks	Qty	Model
	FSH	darkgrey natural/grey					D07	volcano grey			
2	999 507 971 01	speed nut ST 4,2 for mount dashboard		X		(13)	997 552 382 01	moulding driver's side outer	/RL	1	I099
3	999 073 155 09	tapping screw ST 4,2 X 13 for mount dashboard		X		13	997 552 381 05	moulding driver's side outer	/LL	1	IXGB/098
4	999 507 106 02	clamping washer 8,0 for mount dashboard		X		(13)	997 552 382 05	moulding driver's side outer	/RL	1	IXGB/099
5	999 507 573 02	clamp 6,7 - 8,1 for mount dashboard		X		13	997 552 986 00	moulding driver's side outer	/LL	1	I098/XVP
6	999 507 732 01	clamp 8,0 X 12,0 /4,0 for mount dashboard		X		(13)	997 552 986 01	moulding driver's side outer	/RL	1	I099/XVP
7	999 507 020 02	speed nut ST 4,2 for mount dashboard		X			A11	black			
8	997 552 617 01	support dashboard driver's side		1		14	997 552 383 01	moulding driver's side centre	/LL	1	I098
9	999 507 020 02	speed nut ST 4,2		2		(14)	997 552 384 01	moulding driver's side centre	/RL	1	I099
10	999 073 155 09	tapping screw ST 4,2 X 13		2			D07	volcano grey			
11	997 552 673 00	cover defroster trim		2		14	997 552 383 05	moulding driver's side centre	/LL	1	I098/XGB
12	999 073 226 09	tapping screw ST 4,2 X 16		2			A35	black			
13	997 552 381 01	moulding driver's side outer	/LL	1	I098	(14)	997 552 384 05	moulding driver's side centre	/RL	1	I099/XGB

Model	Year	MG	SG	Illustration	Restrictions	Update	16:44	25.10.2006	PORSCHE	PET	PORSCHE
gt3-2	07	8	09	809-00		207					

Pos	Part Number	Name	Remarks	Qty	Model	Pos	Part Number	Name	Remarks	Qty	Model
14	997 552 987 00	A35 black moulding driver's side centre	/LL	1	I098/XVP	(18)	997 552 993 01	cover	/RL/R	1	IXVP/099
		A11 black						A11 black			
		D12 dark grey/natural				19	997 552 398 00	cover centre	/LL	1	I098
(14)	997 552 987 01	moulding driver's side centre	/RL	1	I099/XVP	(19)	997 552 397 00	cover centre	/RL	1	I099
		A11 black						D07 volcano grey			
		D12 dark grey/natural				19	997 552 398 04	cover centre	/LL	1	IXGB/098
15	997 552 325 01	cover instrument cluster	/LL	1	I098			A35 black			
		A03 black				(19)	997 552 397 04	cover centre	/RL	1	IXGB/099
(15)	997 552 326 01	cover instrument cluster	/RL	1	I099			A35 black			
		A03 black				19	997 552 994 00	cover centre	/LL	1	IXVP/098
16	999 073 155 09	tapping screw ST 4,2 X 13		2				A11 black			
17	997 552 294 02	support beverages	/LL	1	I098			D12 dark grey/natural			
17	997 552 293 03	support beverages	/RL	1	I099	19	997 552 994 01	cover centre	/RL	1	IXVP/099
18	997 552 394 01	cover	/LL/R	1	I098			A11 black			
		D07 volcano grey						D12 dark grey/natural			
(18)	997 552 393 01	cover	/RL/R	1	I099	20	997 552 396 01	cover	/LL/L	1	I098
		D07 volcano grey						D07 volcano grey			
18	997 552 396 05	cover	/LL/R	1	IXGB/098	(20)	997 552 395 01	cover	/RL/L	1	I099
		A35 black						D07 volcano grey			
(18)	997 552 395 05	cover	/RL/R	1	IXGB/099	20	997 552 394 05	cover	/LL/L	1	IXGB/098
		A35 black						A35 black			
18	997 552 993 00	cover	/LL/R	1	IXVP/098	(20)	997 552 393 05	cover	/RL/L	1	IXGB/099
		A11 black						A35 black			
		D12 dark grey/natural				20	997 552 992 00	cover	/LL/L	1	IXVP/098

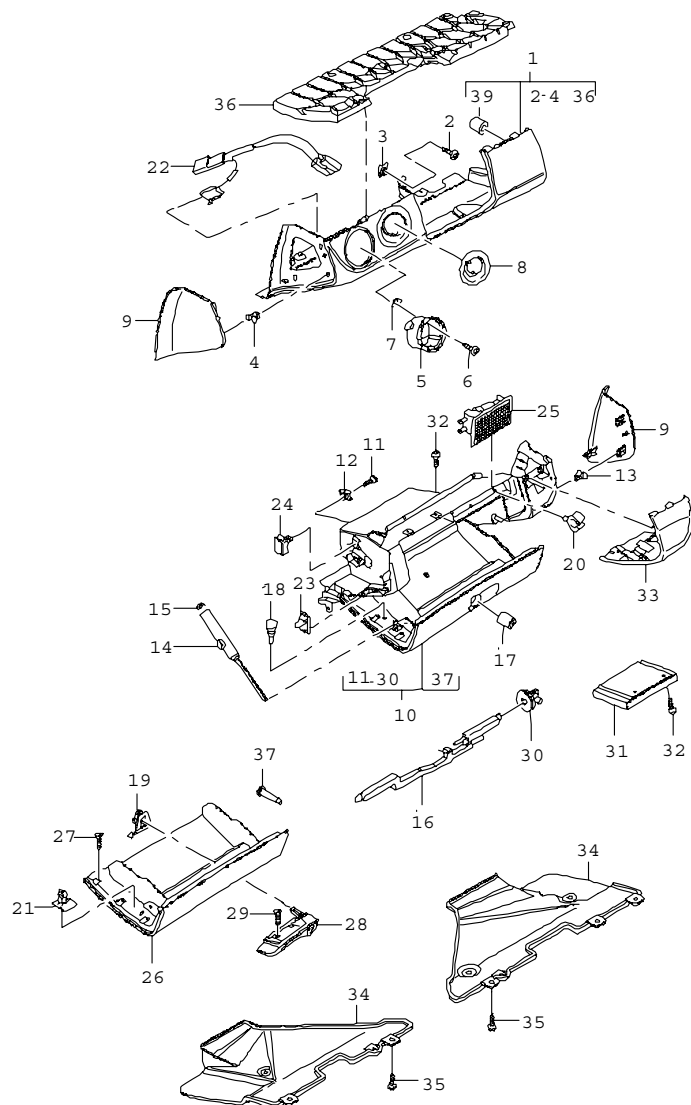
Model	Year	MG	SG	Illustration	Restrictions	Update	16:44	25.10.2006	PORSCHE	PET	PORSCHE
gt3-2	07	8	09	809-00		207					

Pos	Part Number	Name	Remarks	Qty	Model	Pos	Part Number	Name	Remarks	Qty	Model
	A11	black					D12	dark grey/natural			
	D12	dark grey/natural				26	997 552 981 01	side vent	/L	1	IXKD
(20)	997 552 992 01	cover	/RL/L	1	IXVP/099		A11	black			
	A11	black					D12	dark grey/natural			
	D12	dark grey/natural				(26)	997 552 982 01	side vent	/R	1	IXKD
21	900 067 416 01	pan-head screw M5 x 27		2			A11	black			
22	997 552 371 00	air box upper part		1	I639/640		D12	dark grey/natural			
	A03	black				27	997 552 141 05	centre nozzle		1	
(22)	997 552 371 01	air box upper part		1	I639/640/981	(27)	997 552 980 00	centre nozzle		1	IXVM
	A11	black					A11	black			
	D12	dark grey/natural					D12	dark grey/natural			
23	999 507 920 01	u-clamp 1,7-2,1		4	I639/640	(27)	997 552 980 01	centre nozzle		1	IXZB
24	997 552 373 01	support for air box upper part		1	I639/640		A11	black			
	D12	dark grey/natural					D12	dark grey/natural			
25	999 919 167 09	oval-head screw 3,0 X 10 for mount support air box		4		28	997 552 455 01	cover defroster vent	/L	1	
26	997 552 131 05	side vent	/L	1			A03	black			
	D07	volcano grey				(28)	997 552 456 01	cover defroster vent	/R	1	
(26)	997 552 132 05	side vent	/R	1			A03	black			
	D07	volcano grey				29	997 552 315 02	air duct lateral	/L	1	
26	997 552 981 00	side vent	/L	1	IXN3	(29)	997 552 316 02	air duct lateral	/R	1	
	A11	black				30	997 552 271 01	bridge		1	
	D12	dark grey/natural					A03	black			
(26)	997 552 982 00	side vent	/R	1	IXN3	31	997 552 175 01	defroster trim	/L	1	
	A11	black					A03	black			
	D12	dark grey/natural				(31)	997 552 176 01	defroster trim	/R	1	
	A11	black					A03	black			

Model	Year	MG	SG	Illustration	Restrictions	Update	16:44	25.10.2006	PORSCHE	PET	PORSCHE
gt3-2	07	8	09	809-00		207					

Pos	Part Number	Name	Remarks	Qty	Model	Pos	Part Number	Name	Remarks	Qty	Model
31	997 552 983 00	defroster trim	/L	1	IXV1						
	A11	black									
	D12	dark grey/natural									
(31)	997 552 984 00	defroster trim	/R	1	IXV1						
	A11	black									
	D12	dark grey/natural									
31	997 552 983 01	defroster trim	/L	1	IXKJ						
	A11	black									
	D12	dark grey/natural									
(31)	997 552 984 01	defroster trim	/R	1	IXKJ						
	A11	black									
	D12	dark grey/natural									
32	997 552 351 01	cover centre		1							
	A03	black									
(32)	997 552 985 00	cover centre		1	IXKJ/XV1						
	A11	black									
	D12	dark grey/natural									
33	997 552 645 00	gasket cowl		1							
34	997 552 481 00	insert a-pillar	/L	1							
(34)	997 552 482 00	insert a-pillar	/R	1							
35	999 591 307 01	u-clamp mount defroster trim		2							
		- - - E N D - - -									

Model	Year	MG	SG	Illustration	Restrictions	Update	16:44	25.10.2006	PORSCHE	PET	PORSCHE
gt3-2	07	8	09	809-03		207					



Pos	Part Number	Name	Remarks	Qty	Model
1	997 552 201 02	glove compartment cover and lining driver's side lining leatherette 1MZ black	/LL	1	I098
(1)	997 552 202 02	lining leatherette 1MZ black	/RL	1	I099
1	997 552 201 03	lining leather A11 black D12 dark grey/natural	/LL	1	I098/981
(1)	997 552 202 03	lining leather A11 black D12 dark grey/natural	/RL	1	I098/981
2	999 073 155 09	tapping screw 4,2 X 13 for mount lining		8	
3	999 507 971 01	speed nut 4,2 for mount lining		8	
4	999 507 732 01	clamp 8 X 12/ 4 for mount lining		7	
5	997 552 427 01	cover light switch A03 black		1	

Model	Year	MG	SG	Illustration	Restrictions	Update	16:44	25.10.2006	PORSCHE	PET	PORSCHE
gt3-2	07	8	09	809-03		207					

Pos	Part Number	Name	Remarks	Qty	Model	Pos	Part Number	Name	Remarks	Qty	Model
6	999 073 155 09	tapping screw 4,2 X 13 for mount cover light switch		3			A11	black			
							D12	dark grey/natural			
7	999 507 971 01	speed nut 4,2 for mount cover light switch		3		11	999 073 155 09	tapping screw 4,2 X 13 for mount glove compartment		X	
8	997 552 425 01	cover ignition starter lock	/LL	1	I098	12	999 507 971 01	speed nut 4,2 for mount glove compartment		X	
	A03	black				13	999 507 732 01	clamp 8 X 12 /4 for mount glove compartment		X	
(8)	997 552 426 01	cover ignition starter lock	/RL	1	I099	14	997 552 484 01	damper glove compartment		1	
	A03	black				15	997 552 612 00	cover damper		1	
9	997 552 405 02	cover	/L	1		16	997 552 410 01	release glove compartment	/LL	1	I098
	A03	black				(16)	997 552 409 01	release glove compartment	/RL	1	I099
(9)	997 552 406 02	cover lateral driver's side	/R	1		17	996 552 915 00	lock cylinder glove compartment state lock number		1	
	A03	black				18	999 703 068 40	buffer 3,7 x 10,3 glove compartment		2	
10	997 552 204 04	glove compartment leatherette complete	/LL	1	I098	19	997 552 509 02	mounting end plate	/LL/L	1	I098
	1MZ	black				(19)	997 552 510 02	mounting end plate	/LL/R	1	I098
(10)	997 552 203 04	glove compartment leatherette complete	/RL	1	I099	(19)	997 552 509 03	mounting end plate	/RL/L	1	I099
	1MZ	black				(19)	997 552 510 03	mounting end plate	/RL/R	1	I099
10	997 552 204 05	glove compartment leather complete	/LL	1	I098/981	20	996 552 813 00	support pin		2	
	A11	black									
	D12	dark grey/natural									
(10)	997 552 203 05	glove compartment leather complete	/RL	1	I099/981						

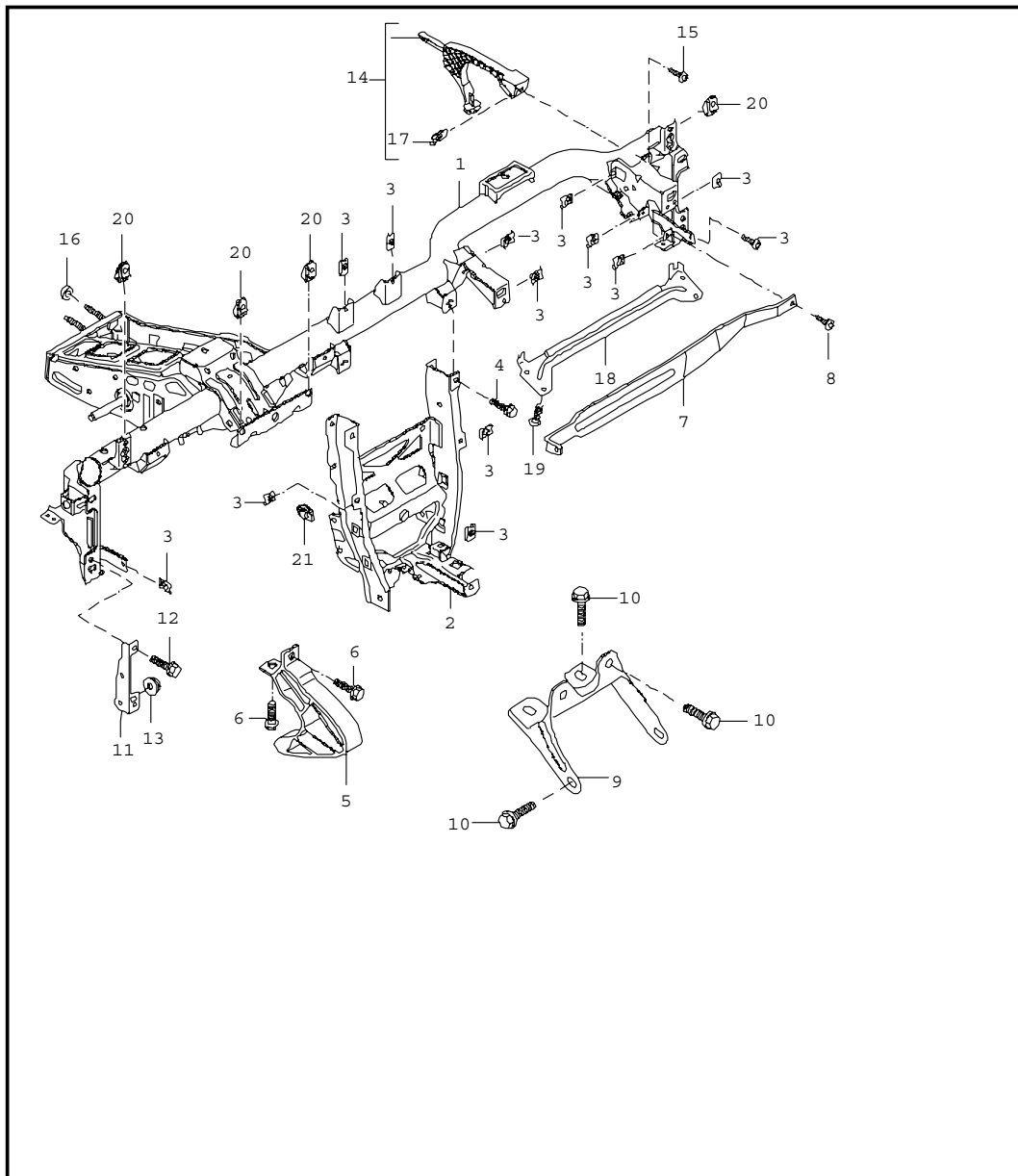
Model	Year	MG	SG	Illustration	Restrictions	Update	16:44	25.10.2006	PORSCHE	PET	PORSCHE
gt3-2	07	8	09	809-03		207					

Pos	Part Number	Name	Remarks	Qty	Model	Pos	Part Number	Name	Remarks	Qty	Model
21	996 552 879 00	adapter for damper		2		29	999 073 240 02	screw M 4 X 10 for mount handle		2	
22	997 612 651 00	wiring harness glove compartment light		1		30	997 552 448 00	stop		1	
23	999 650 564 40	clip for wiring harness microswitch		1		31	997 552 663 00	box for cds		1	I424
24	999 650 565 40	clip for wiring harness		1		32	999 073 240 02	screw M 4 X 10 for mount box for cds		2	
25	997 632 071 00	glove compartment light		1		33	997 552 256 02	cover passenger's side leatherette	/LL	1	I098
26	997 552 252 02	glove box cover leatherette	/LL	1	I098		1MZ	black			
(26)	997 552 251 02	glove box cover leatherette	/RL	1	I099	(33)	997 552 255 02	cover passenger's side leatherette	/RL	1	I099
		1MZ					1MZ	black			
26	997 552 252 03	glove box cover leather	/LL	1	I098/981	33	997 552 256 03	cover passenger's side leather	/LL	1	I098/981
		A11					A11	black			
		D12					D12	dark grey/natural			
(26)	997 552 251 03	glove box cover leather	/RL	1	I099/981	(33)	997 552 255 03	cover passenger's side leather	/RL	1	I099/981
		A11					A11	black			
		D12					D12	dark grey/natural			
27	999 073 249 07	tapping screw 3.5 X 12 for mount glove box cover		11		34	997 552 414 01	lining footwell passenger's side	/LL	1	I098
28	997 552 362 01	handle complete	/LL	1	I098	(34)	997 552 413 01	lining footwell passenger's side	/RL	1	I099
		A03									
(28)	997 552 361 01	handle complete	/RL	1	I099	35	1H0 819 943	screw for mount lining footwell		X	
		A03									

Model	Year	MG	SG	Illustration	Restrictions	Update	16:44	25.10.2006	PORSCHE	PET	PORSCHE
gt3-2	07	8	09	809-03		207					

Pos	Part Number	Name	Remarks	Qty	Model	Pos	Part Number	Name	Remarks	Qty	Model
36	997 552 451 01	insert	/LL	1	I098						
36	997 552 452 01	insert	/RL	1	I099						
37	997 552 649 01	hinge bolt glove compartment		2							
38	997 552 821 00	grommet		3							
		- - - E N D - - -									

Model	Year	MG	SG	Illustration	Restrictions	Update	16:53	25.10.2006	PORSCHE	PET	PORSCHE
gt3-2	07	8	09	809-04		207					

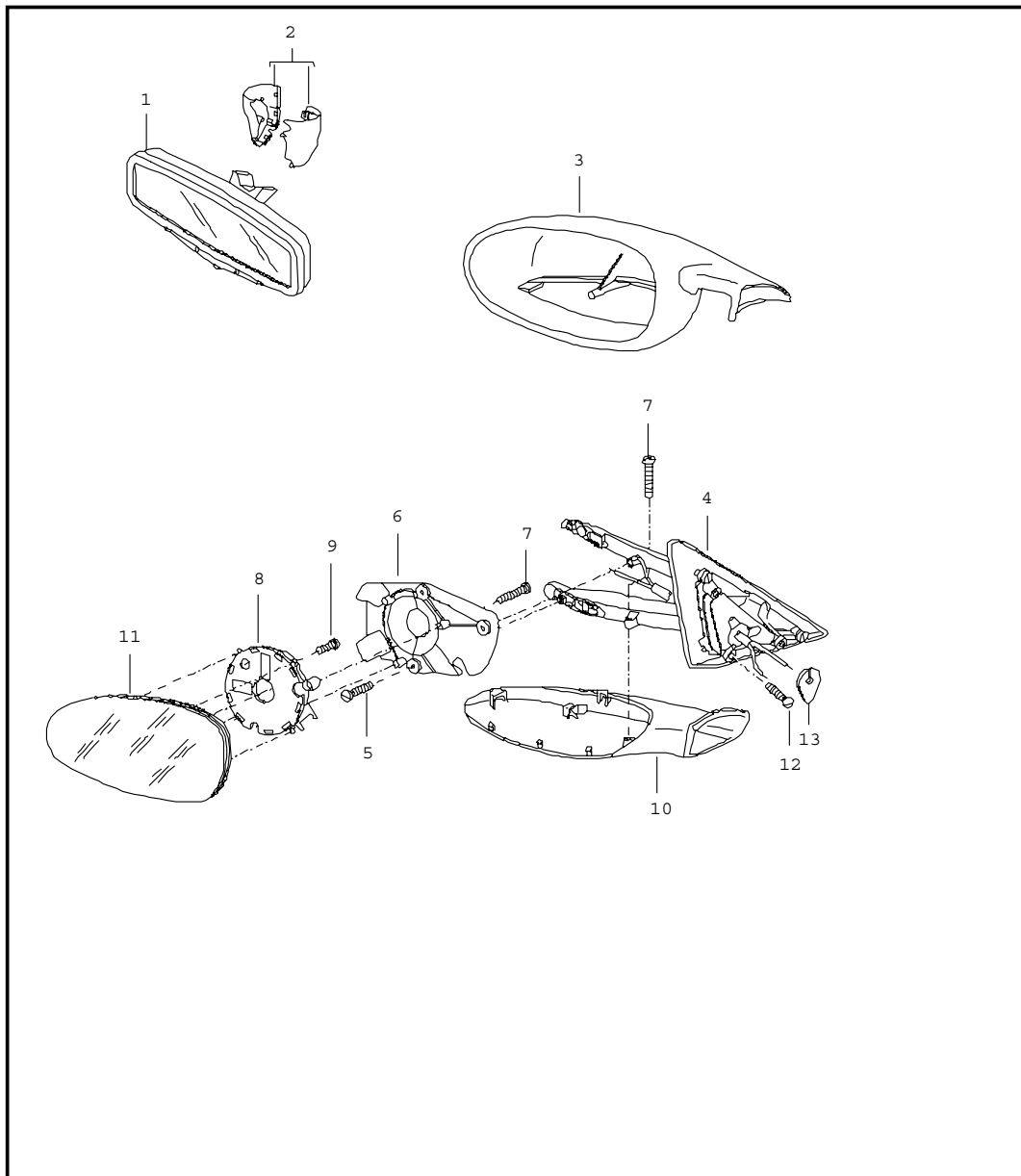


Pos	Part Number	Name	Remarks	Qty	Model
1	997 552 063 03	retaining frame dashboard		1	I098
(1)	997 552 063 04	retaining frame	/LL	1	I099
2	997 552 163 03	support tunnel	/LL	1	I098
(2)	997 552 163 04	support tunnel	/RL	1	I099
3	999 507 020 02	speed nut ST 4,2 for mount retaining frame and support tunnel		X	
4	900 378 299 01	hexagon-head bolt M 8 X 60 for mount support		2	
9	997 552 515 01	support tunnel		1	
10	999 217 098 01	screw M 6 X 25 for mount support tunnel		X	
11	997 552 407 01	support a-pillar	/L	1	
(11)	997 552 408 01	support a-pillar	/R	1	
12	900 378 176 09	hexagon-head bolt M 8 X 20 for mount support a-pillar		4	
13	999 084 630 09	hexagon nut M 8 for mount support a-pillar		4	

Model	Year	MG	SG	Illustration	Restrictions	Update	16:53	25.10.2006	PORSCHE	PET	PORSCHE
gt3-2	07	8	09	809-04		207					

Pos	Part Number	Name	Remarks	Qty	Model	Pos	Part Number	Name	Remarks	Qty	Model
14	997 552 401 00	support heating		1							
15	999 073 155 09	tapping screw ST 4,2 X 13 for mount support heating		1							
16	997 423 299 01	nut for adjustment retaining frame firewall		2							
17	999 507 971 01	speed nut ST 4,2 for mount support heating		1							
18	997 552 603 01	reinforcement plate support airbag		1							
19	900 378 222 09	hexagon-head bolt M 6 X 16		4							
20	999 591 850 02	speed nut ST 4,2		X							
21	999 591 951 03	speed nut ST 4,2		X							
		- - - E N D - - -									

Model	Year	MG	SG	Illustration	Restrictions	Update	16:53	25.10.2006	PORSCHE	PET	PORSCHE
gt3-2	07	8	09	809-10		207					



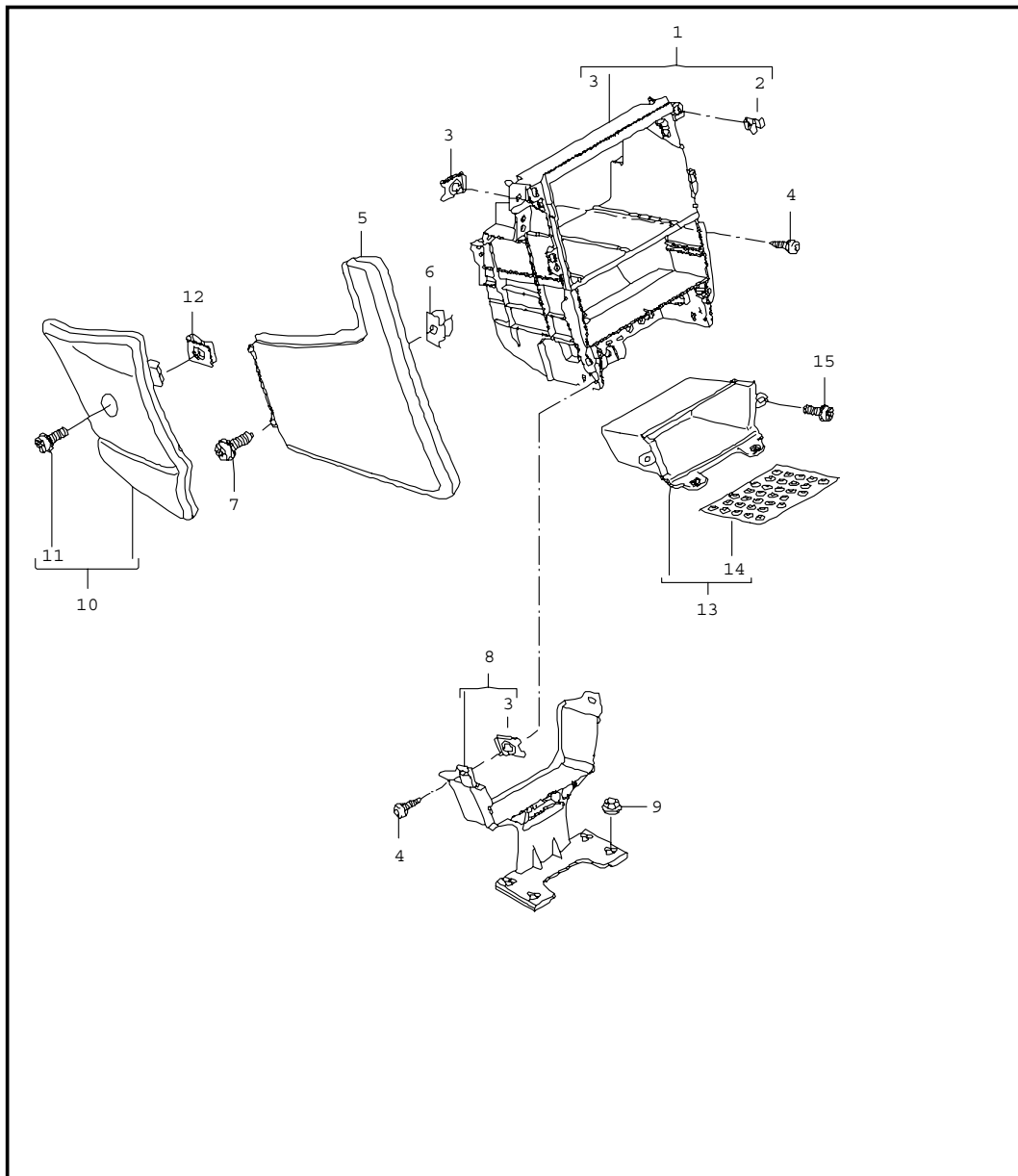
Pos	Part Number	Name	Remarks	Qty	Model
1	997 731 511 03	interior mirror door mirror		1	I267
(1)	997 731 511 02	interior mirror		1	
	01C	satin black			
2	997 731 811 00	cover interior mirror	/L	1	
	01C	satin black			
(2)	997 731 812 00	cover interior mirror	/R	1	
	01C	satin black			
3	997 731 619 00	housing	/L	1	
	G2L	prime coated			
(3)	997 731 620 00	housing	/R	1	
	G2L	prime coated			
4	997 731 219 00	mirror base	/LL/L	1	I098
	G2L	prime coated			
(4)	997 731 220 00	mirror base door mirror	/LL/R	1	I098
	G2L	prime coated			
(4)	997 731 219 02	mirror base door mirror	/LL/L	1	I098/267
	G2L	prime coated			
(4)	997 731 220 02	mirror base door mirror	/LL/R	1	I098/267
	G2L	prime coated			
(4)	997 731 219 04	mirror base door mirror	/RL/L	1	I099
	G2L	prime coated			
(4)	997 731 220 04	mirror base door mirror	/RL/R	1	I099
	G2L	prime coated			
(4)	997 731 219 06	mirror base door mirror	/RL/L	1	I099/267

Model	Year	MG	SG	Illustration	Restrictions	Update	16:53	25.10.2006	PORSCHE	PET	PORSCHE
gt3-2	07	8	09	809-10		207					

Pos	Part Number	Name	Remarks	Qty	Model	Pos	Part Number	Name	Remarks	Qty	Model
		G2L prime coated				(11)	997 731 038 01	mirror glass convex	/LL/R	1	(ROK)
(4)	997 731 220 06	mirror base door mirror	/RL/R	1	I099/267	(11)	997 731 038 02	mirror glass convex	/LL/R	1	I215
		G2L prime coated				(11)	997 731 038 03	mirror glass convex dipping	/LL/R	1	I098/267
5	999 919 024 09	oval-head screw 3,0 X 12		3		(11)	997 731 038 04	mirror glass convex dipping	/LL/R	1	I267 (ROK)
6	997 731 519 00	plate door mirror	/L	1		(11)	997 731 038 05	mirror glass convex dipping	/LL/R	1	I215/267
(6)	997 731 520 00	plate door mirror	/R	1		(11)	997 731 036 00	mirror glass plan	/RL/R	1	I099/270
7	999 141 043 02	oval-head screw M 3 X 14		4		(11)	997 731 036 01	mirror glass aspherical	/RL/R	1	I099/271
8	997 624 047 00	adjusting motor		2		(11)	997 731 036 02	mirror glass plan dipping	/RL/R	1	I099/267/270
9	999 141 043 02	oval-head screw M 3,0 X 14		3		(11)	997 731 036 03	mirror glass aspherical dipping	/RL/R	1	I099/267/271
10	997 731 719 00	cover lower	/L	1		12	999 073 345 09	lens-head screw M 5 X 18		3	
		G2L prime coated				13	997 537 731 00	seal cable plug mirror base		1	
(10)	997 731 720 00	cover lower	/R	1							
		G2L prime coated									
11	997 731 035 00	mirror glass plan	/LL/L	1	I098/270						
(11)	997 731 035 01	mirror glass aspherical	/LL/L	1	I098/271						
(11)	997 731 035 02	mirror glass plan dipping	/LL/L	1	I098/267/270						
(11)	997 731 035 03	mirror glass aspherical dipping	/LL/L	1	I098/267/271						
(11)	997 731 037 00	mirror glass convex	/RL/L	1	I099						
(11)	997 731 037 01	mirror glass convex dipping	/RL/L	1	I099/267						
(11)	997 731 038 00	mirror glass convex	/LL/R	1	I098						

- - - E N D - - -

Model	Year	MG	SG	Illustration	Restrictions	Update	16:54	25.10.2006	PORSCHE	PET	PORSCHE
gt3-2	07	8	09	809-15		207					

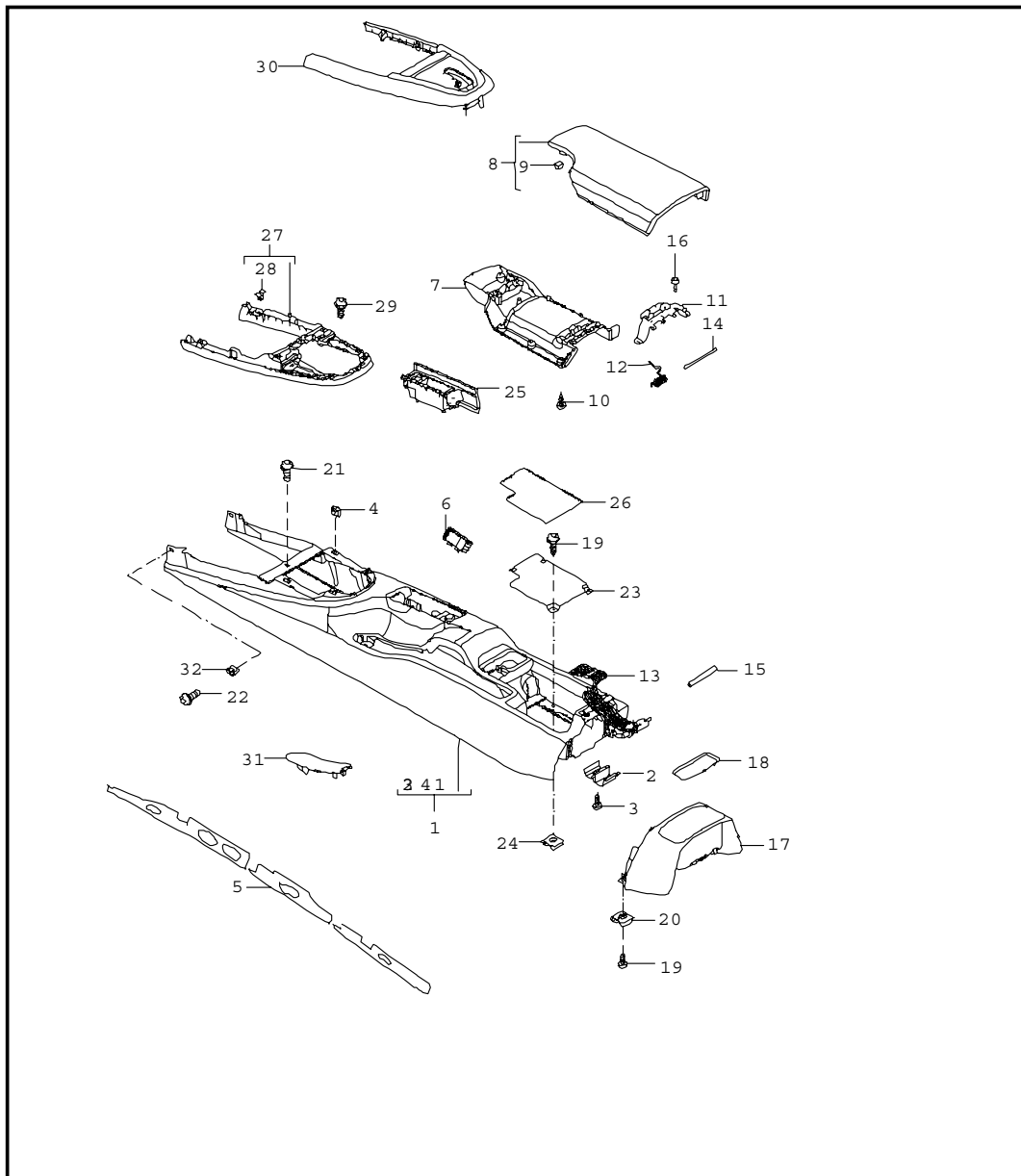


Pos	Part Number	Name	Remarks	Qty	Model
1	997 553 111 02	centre console front		1	
2	999 507 476 01	bracket centre console front		6	
3	999 507 971 01	clamp 8,0 X 10,0/2,5		X	
4	999 073 155 09	speed nut st 4,2		X	
5	997 553 117 05	tapping screw st 4,2 x 13			
		cover lateral leatherette	/L	1	
	9L4	black			
(5)	997 553 118 05	cover lateral leatherette	/R	1	
	9L4	black			
5	997 553 117 06	cover lateral leather	/LL/L	1	I098/I618
	FSA	black/grey			
	FSH	darkgrey natural/grey			
5	997 553 117 06	cover lateral leather	/L	1	I981
	FSA	black/grey			
	FSH	darkgrey natural/grey			
(5)	997 553 118 06	cover lateral leather	/RL/R	1	I099/I618
	FSA	black/grey			
	FSH	darkgrey natural/grey			
(5)	997 553 118 06	cover lateral leather	/R	1	I981
	FSA	black/grey			

Model	Year	MG	SG	Illustration	Restrictions	Update	16:54	25.10.2006	PORSCHE	PET	PORSCHE
gt3-2	07	8	09	809-15		207					

Pos	Part Number	Name	Remarks	Qty	Model	Pos	Part Number	Name	Remarks	Qty	Model
	FSH	darkgrey natural/grey cover lateral with preparation for telephone see group 9/11/10		1		12	999 507 766 02	speed nut M 6 for mount cover footwell outlet vent		2	
6	999 591 508 02	captive nut ST 4,2 for mount cover lateral		4		13	997 553 143 01	shelf centre console front		1	
							D07	volcano grey			
7	999 073 226 09	tapping screw ST 4,2 X 16 for mount cover lateral		4		14	997 553 543 01	insert shelf		1	
						15	999 919 164 09	oval-head screw 5,0 X 12,0 for mount shelf		3	
								- - - E N D - - -			
8	997 553 361 01	support centre m 6		1							
10	997 553 131 01	cover footwell outlet vent carpet A10 black D11 dark grey/natural	/L	1							
(10)	997 553 132 01	cover footwell outlet vent carpet A10 black D11 dark grey/natural	/LL/R	1	I098/621						
(10)	997 553 132 02	cover footwell outlet vent carpet A10 black D11 dark grey/natural	/R	1							
11	999 073 223 07	oval-head screw M 6 X 25 for mount cover footwell outlet vent		2							

Model	Year	MG	SG	Illustration	Restrictions	Update	16:54	25.10.2006	PORSCHE	PET	PORSCHE
gt3-2	07	8	09	809-20		207					



Pos	Part Number	Name	Remarks	Qty	Model
1	997 553 211 01	centre console rear		1	
	A03	black			
(1)	997 553 980 24	centre console rear leather		1	IXMZ
	A11	black			
	D12	dark grey/natural			
(1)	997 553 980 28	centre console rear carbon		1	IXMJ
	A35	black			
(1)	997 553 980 44	centre console rear		1	IXME
	041	black			
	84A	guards red			
	B9A	carrara white			
	12H	speed yellow			
	92U	arctic silver metallic			
	M3W	carmon red metallic			
	M5W	lapis blue metallic			
	M6W	lagoon green metallic			
	C9Z	basalt black metallic			
	M7X	atlas grey metallic			
	39C	midnight blue metallic			
	M7W	meteor grey metallic			
	2B4	forest green metallic			
	3C8	cobalt blue metallic			
	23F	slate grey metallic			
	M6X	dark olive-metallic			

Model	Year	MG	SG	Illustration	Restrictions	Update	16:54	25.10.2006	PORSCHE	PET	PORSCHE
gt3-2	07	8	09	809-20		207					

Pos	Part Number	Name	Remarks	Qty	Model	Pos	Part Number	Name	Remarks	Qty	Model
	8C6	orange				10	999 073 153 07	tapping screw 3,5 X 14 for mount cover outer		8	
	2D8	green									
(1)	997 553 997 01	protective film centre console	/L	1							
(1)	997 553 997 02	protective film centre console	/R	1		11	997 553 437 01	hinge		1	
2	997 553 575 01	insert locking device centre console		1		12	997 553 439 00	spring		1	
	01C	satin black				13	997 553 441 00	belt		1	
3	999 919 162 09	oval-head screw 4 X 8 for mount insert locking device		1		14	997 553 447 00	axle		1	
4	999 591 214 40	expander nut 4,2	06-	4		15	997 553 733 00	retaining pin		1	
5	997 553 843 00	sound absorber	/L	1		16	999 919 159 09	oval-head screw M4X12		X	
(5)	997 553 844 00	sound absorber	/R	1		17	997 553 221 01	extension centre console lacquered		1	
6	997 553 579 00	cover lacquered		1			A03	black			
	A03	black				(17)	997 553 983 00	extension centre console leather		1	IXMZ
7	997 553 433 01	cover inner		1			A11	black			
	01C	satin black				(17)	997 553 983 01	extension centre console leather		1	IXMJ
8	997 553 231 01	cover outer leather		1			A11	black			
	A11	black				(17)	997 553 983 05	extension centre console lacquered		1	IXME
(8)	997 553 231 90	cover outer alcantara		1	I981		041	black			
	A25	black					84A	guards red			
9	999 507 972 01	speed nut 3,5 for mount cover outer		8			B9A	carrara white			
							12H	speed yellow			
							92U	arctic silver metallic			
							M3W	carmon red metallic			

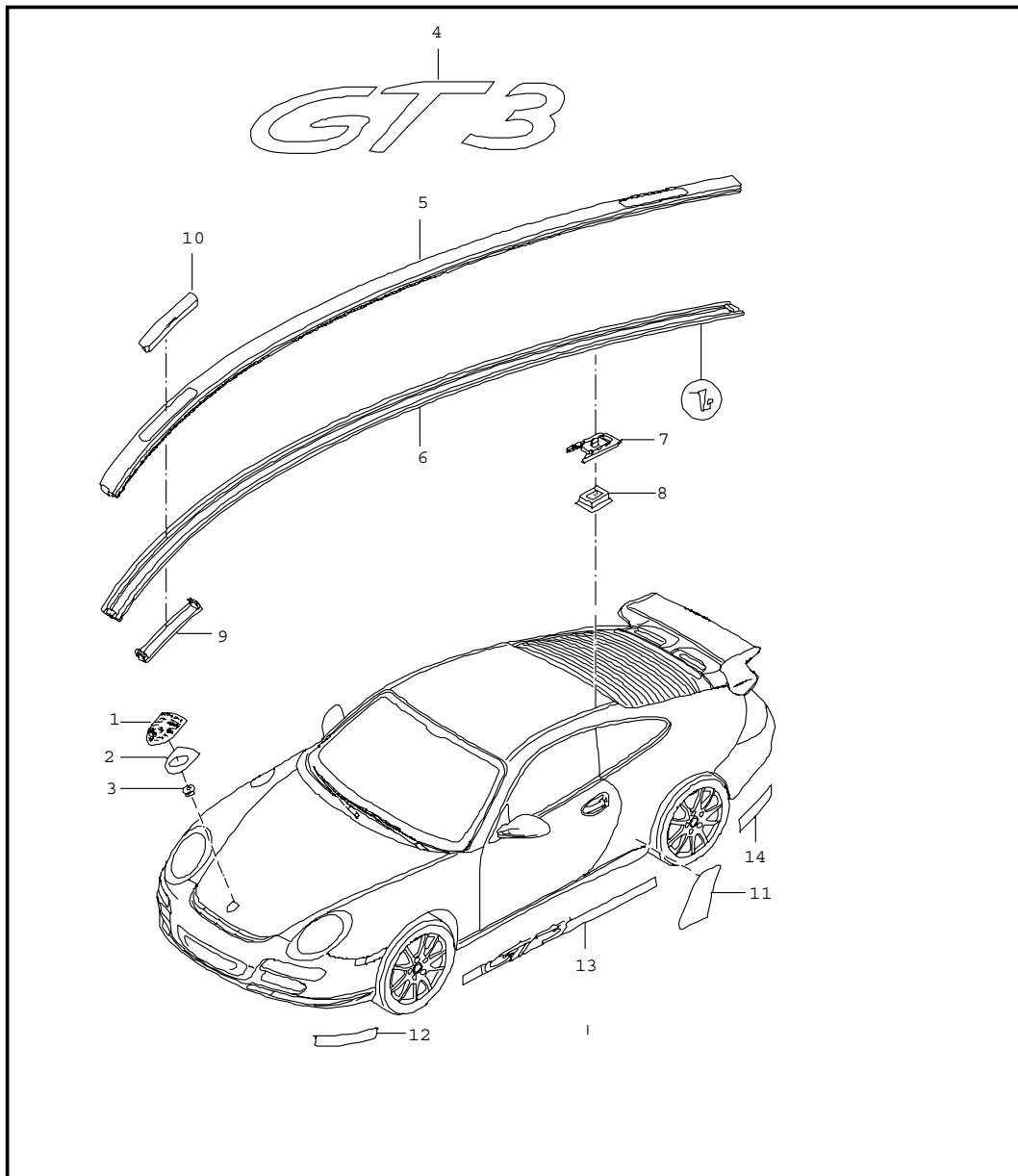
Model	Year	MG	SG	Illustration	Restrictions	Update	16:54	25.10.2006	PORSCHE	PET	PORSCHE
gt3-2	07	8	09	809-20		207					

Pos	Part Number	Name	Remarks	Qty	Model	Pos	Part Number	Name	Remarks	Qty	Model
	M5W	lapis blue metallic				(25)	997 553 982 01	ashtray carbon		1	IXMJ
	M6W	lagoon green metallic					A35	black			
	C9Z	basalt black metallic				(25)	997 553 982 05	ashtray lacquered		1	IXME
	M7X	atlas grey metallic					041	black			
	39C	midnight blue metallic					84A	guards red			
	M7W	meteor grey metallic					B9A	carrara white			
	2B4	forest green metallic					12H	speed yellow			
	3C8	cobalt blue metallic					92U	arctic silver metallic			
	23F	slate grey metallic					M3W	carmon red metallic			
	M6X	dark olive-metallic					M5W	coral metallic			
	8C6	orange					M6W	lagoon green metallic			
	2D8	green					C9Z	basalt black metallic			
18	997 553 625 01	insert extension		1			M7X	atlas grey metallic			
19	999 073 226 09	tapping screw 4,2 X 16		X			39C	midnight blue metallic			
20	999 507 020 02	speed nut 4,2		X			M7W	meteor grey metallic			
21	999 919 121 09	oval-head screw 5 X 16		2			2B4	forest green metallic			
22	999 073 155 09	tapping screw 4,2 X 13		2			3C8	cobalt blue metallic			
23	997 553 615 01	floor centre console		1			23F	slate grey metallic			
24	999 507 971 01	speed nut 4,2		X			M6X	dark olive-metallic			
25	997 553 141 02	ashtray lacquered		1		26	997 553 611 01	insert		1	
	A03	black				27	997 553 261 01	frame lacquered		1	
(25)	997 553 982 00	ashtray leather		1	IXMZ		D07	volcano grey			
	A11	black				28	999 507 533 02	clamp 8,0 X 10,0/2,5		7	
	D12	dark grey/natural									

Model	Year	MG	SG	Illustration	Restrictions	Update	16:54	25.10.2006	PORSCHE	PET	PORSCHE
gt3-2	07	8	09	809-20		207					

Pos	Part Number	Name	Remarks	Qty	Model	Pos	Part Number	Name	Remarks	Qty	Model
29	999 073 155 09	tapping screw 4,2 X 13 for mount frame		4							
(30)	997 553 243 01	cover shift gate lacquered		1	I480						
	A03	black									
31	997 553 455 01	cover parking-brake lever lacquered		1							
	A03	black									
(31)	997 553 981 00	cover parking-brake lever		1	IXME						
	A11	black									
	D12	dark grey/natural									
(31)	997 553 981 00	cover parking-brake lever		1	IXMJ						
	A11	black									
	D12	dark grey/natural									
(31)	997 553 981 06	cover parking-brake lever		1	IXMZ						
	A11	black									
	D12	dark grey/natural									
33	999 591 215 40	expander nut 4,2		2							
		- - - E N D - - -									

Model	Year	MG	SG	Illustration	Restrictions	Update	16:54	25.10.2006	PORSCHE	PET	PORSCHE
gt3-2	07	8	10	810-00		207					

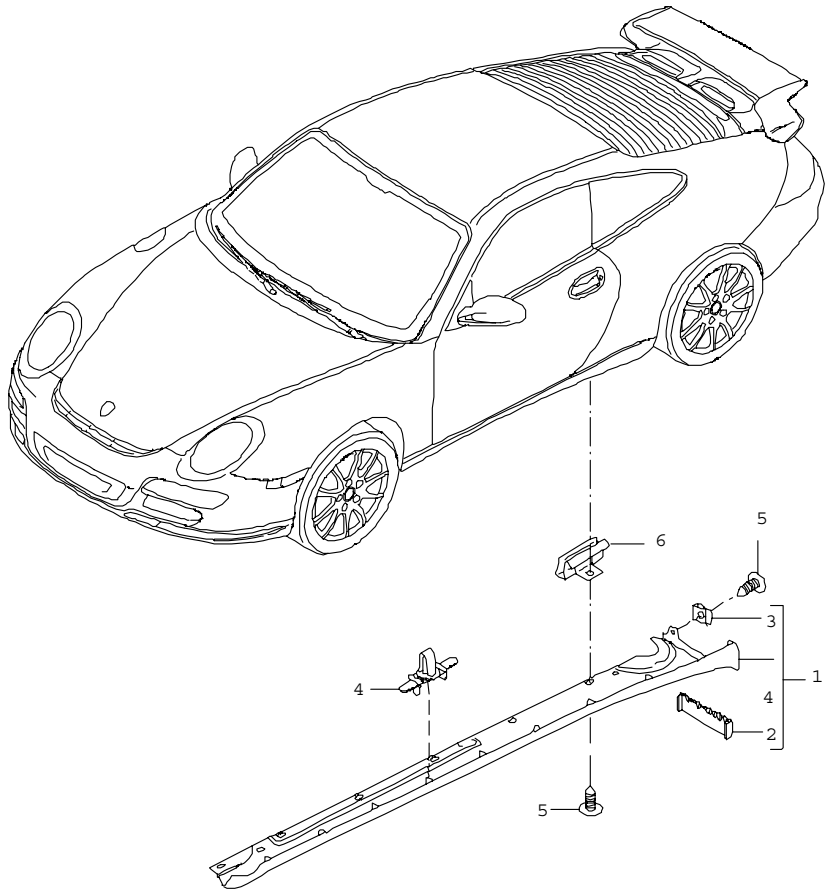


Pos	Part Number	Name	Remarks	Qty	Model
		insignias decorative fittings stone guard film			
1	996 559 211 01	lid emblem		1	
2	7L5 853 611 B	desk pad		1	
3	999 591 423 03	tapping nut		2	
4	996 559 237 90	logo *GT3* lacquered		1	
		70C rally black			
(4)	997 559 237 92	logo *GT3RS* lacquered		1	I004
		8C8 orange			
		041 black			
5	997 559 401 00	roof edge strip	/L	1	
		G2X prime coated			
(5)	997 559 402 00	roof edge strip	/R	1	
		G2X prime coated			
6	997 559 721 00	gasket roof edge strip	/L	1	
(6)	997 559 722 00	gasket roof edge strip	/R	1	
7	996 559 403 01	clip		10	
8	996 559 405 01	adapter		10	
9	996 559 729 00	bracket for flap		4	
10	996 559 501 00	flap front		2	
		G2X prime coated			
(10)	996 559 503 00	flap rear		2	
		G2X prime coated			
11	997 504 825 02	stone guard film side section	/L	1	

Model	Year	MG	SG	Illustration	Restrictions	Update	16:54	25.10.2006	PORSCHE	PET	PORSCHE
gt3-2	07	8	10	810-00		207					

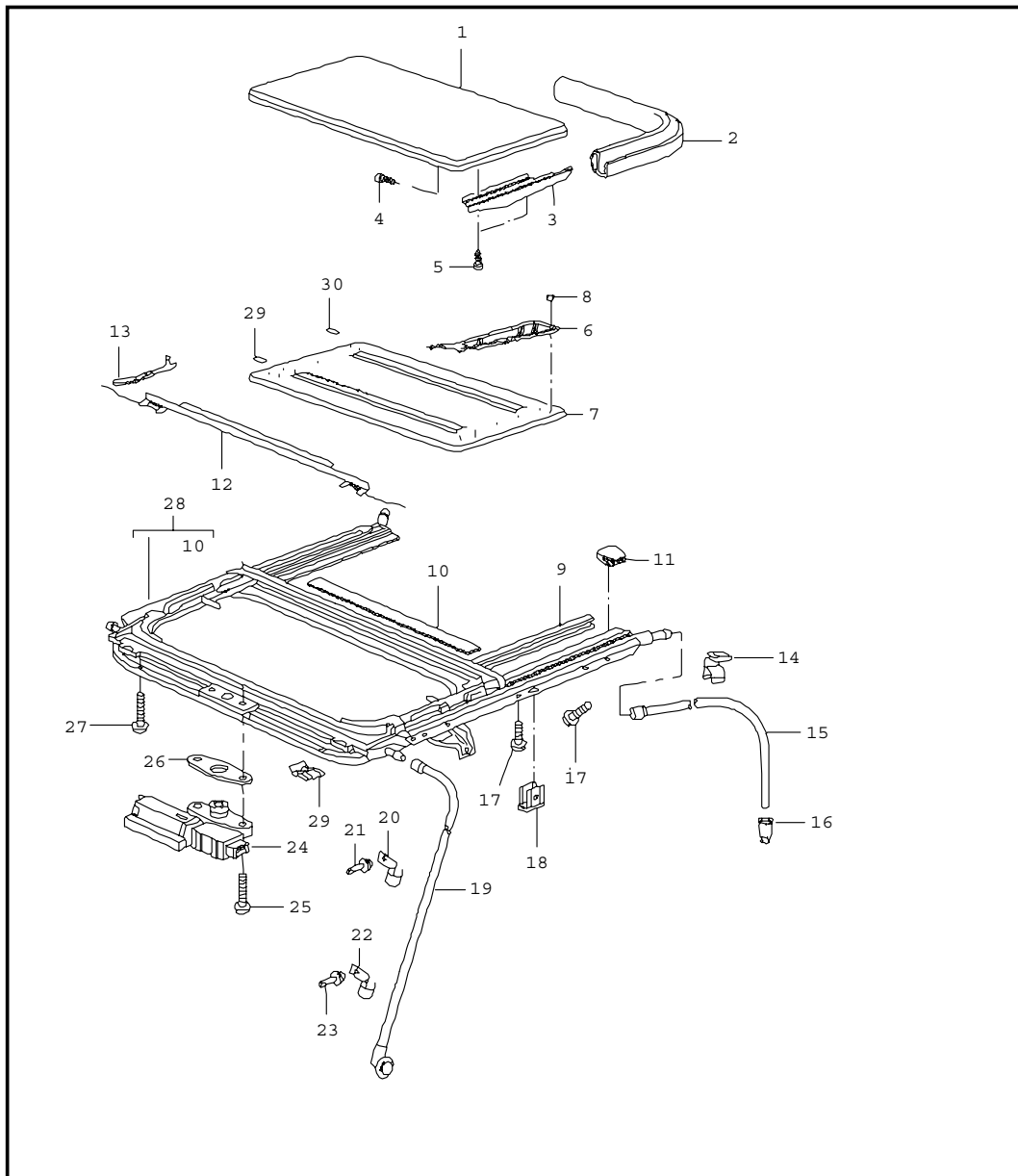
Pos	Part Number	Name	Remarks	Qty	Model	Pos	Part Number	Name	Remarks	Qty	Model
(11)	997 504 826 02	stone guard film side section	/R	1							
12	997 559 331 90	decorative film front	/L	1	I004						
	8C6	orange									
	041	black									
(12)	997 559 332 90	decorative film front	/R	1	I004						
	8C6	orange									
	041	black									
13	997 559 333 90	decorative film lateral	/L	1	I004						
	8C6	orange									
	041	black									
(13)	997 559 334 90	decorative film lateral	/R	1	I004						
	8C6	orange									
	041	black									
14	997 559 335 90	decorative film rear	/L	1	I004						
	8C6	orange									
	041	black									
(14)	997 559 336 90	decorative film rear	/R	1	I004						
	8C6	orange									
	041	black									
		- - - E N D - - -									

Model	Year	MG	SG	Illustration	Restrictions	Update	16:54	25.10.2006	PORSCHE	PET	PORSCHE
gt3-2	07	8	10	810-05		207					



Pos	Part Number	Name	Remarks	Qty	Model
		sill cover			
1	997 504 363 00	sill cover	/L	1	I004
	01C	satin black			
(1)	997 504 364 00	sill cover	/R	1	I004
	01C	satin black			
2	997 504 863 00	rubber lip sill cover	/L	1	I004
	01C	satin black			
(2)	997 504 864 00	rubber lip sill cover	/R	1	I004
	01C	satin black			
3	999 507 795 09	speed nut ST 4,8		4	I004
4	999 507 986 40	fixing clip sill cover 9,0 x 1,5		18	I004
5	999 073 231 09	tapping screw st 4,8 x 16		24	I004
6	999 507 640 09	u-clamp		18	I004
- - - E N D - - -					

Model	Year	MG	SG	Illustration	Restrictions	Update	16:54	25.10.2006	PORSCHE	PET	PORSCHE
gt3-2	07	8	11	811-00		207					

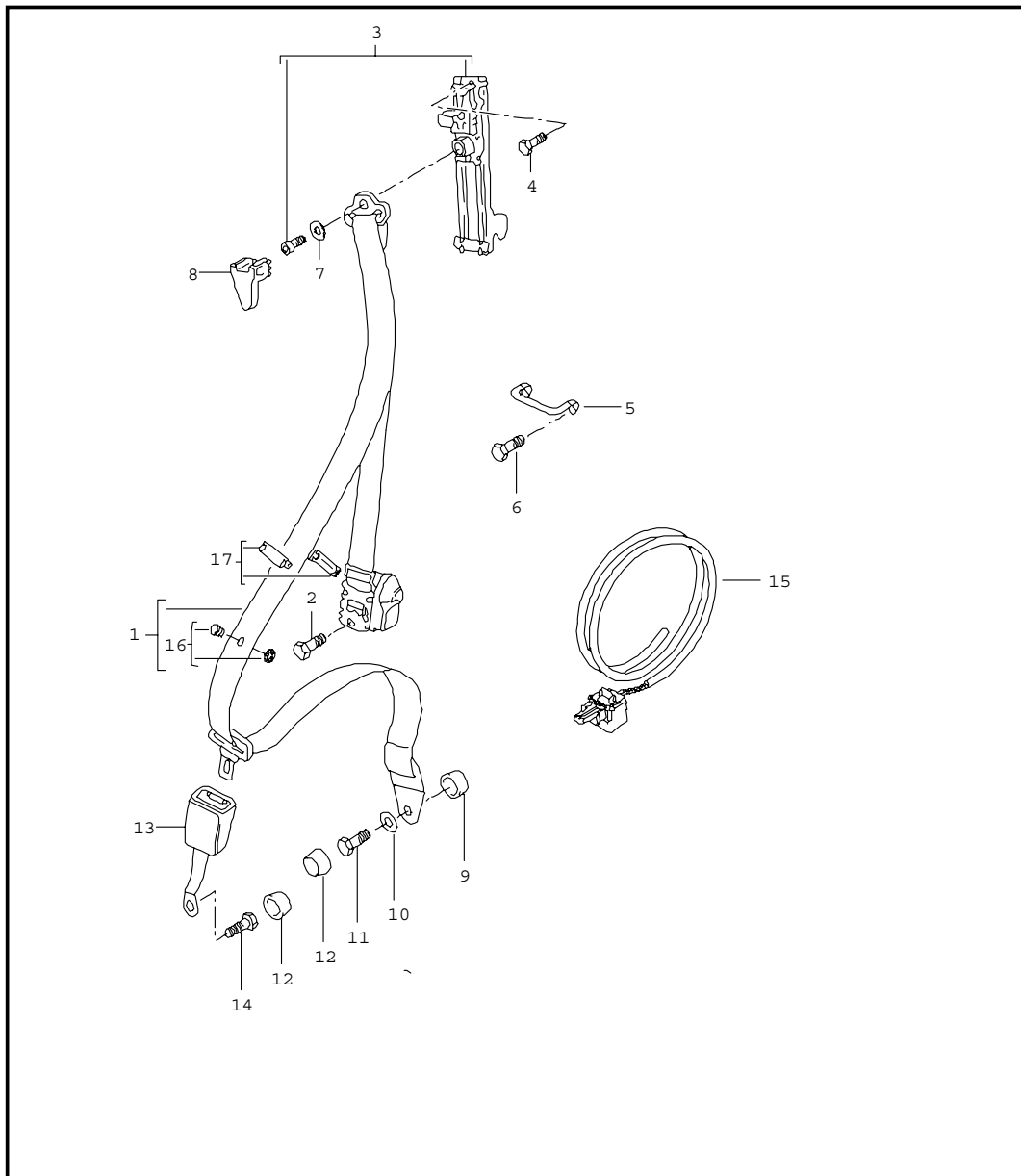


Pos	Part Number	Name	Remarks	Qty	Model
		sunroof			I650
1	996 564 941 01	cover		1	
	GRV	prime coated			
2	997 564 211 00	gasket		1	
3	996 564 181 00	cover	/L	1	
	01C	black			
(3)	996 564 182 00	cover	/R	1	
	01C	black			
4	996 564 245 00	screw		4	
5	900 143 189 09	tapping screw		4	
6	996 564 321 01	guide plate	/L	1	
(6)	996 564 322 01	guide plate	/R	1	
7	997 564 021 00	roof lining		1	
	Al4	black			
8	900 076 084 07	nut		16	
9	996 564 241 00	interior lining	/L	1	
(9)	996 564 242 00	interior lining	/R	1	
10	997 564 671 00	protective edging		11	
11	997 555 823 00	support		2	
12	997 564 161 00	air deflector		10	
13	996 564 522 01	hinge	/R	1	
(13)	996 564 521 01	hinge	/L	1	
14	999 507 631 02	cable holder		6	
15	996 564 205 01	water drain hose		2	
		rear			
16	996 561 825 00	water drain valve		2	
		rear			
17	999 073 130 02	oval-head screw		6	
18	999 703 258 42	clip		2	

Model	Year	MG	SG	Illustration	Restrictions	Update	16:54	25.10.2006	PORSCHE	PET	PORSCHE
gt3-2	07	8	11	811-00		207					

Pos	Part Number	Name	Remarks	Qty	Model	Pos	Part Number	Name	Remarks	Qty	Model
19	996 564 207 00	water drain hose front		2							
20	997 564 301 00	support upper		2							
21	999 190 167 30	blind rivet 4,0X6,3		2							
22	997 564 303 00	support lower		2							
23	999 190 450 37	blind rivet 4,0X6,3		1							
24	997 624 211 00	driving mechanism		1							
25	999 073 135 07	countersunk-head screw		1							
26	996 564 213 00	spacer		1							
27	999 073 366 02	oval-head screw		4							
28	997 564 011 01	sunroof		1							
		- - - E N D - - -									

Model	Year	MG	SG	Illustration	Restrictions	Update	16:55	25.10.2006	PORSCHE	PET	PORSCHE
gt3-2	07	8	12	812-00		207					

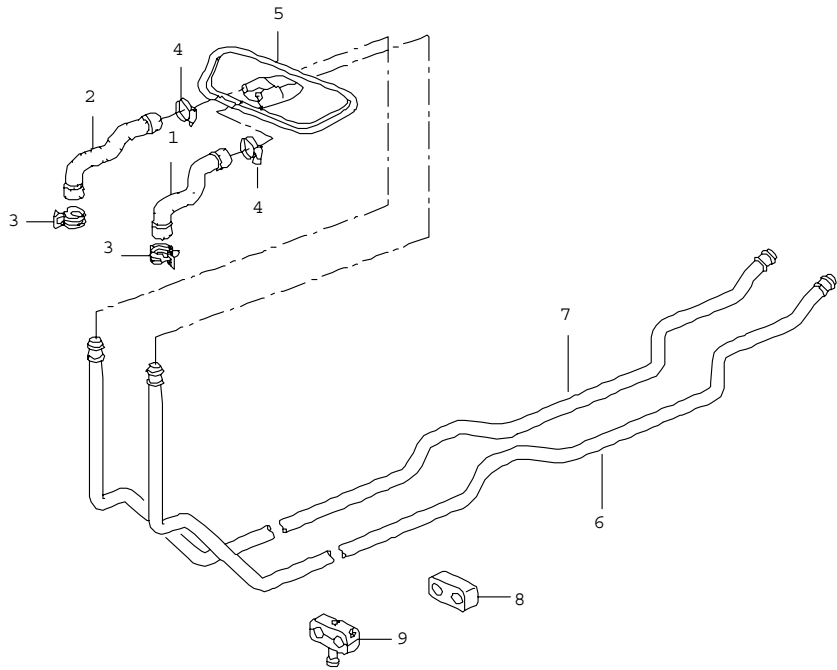


Pos	Part Number	Name	Remarks	Qty	Model
		seat belt 6-point seat belt roll cage			
1	997 803 033 02	seat belt	/L	1	
	V02	speed yellow			IXSY
	N13	guards red			IXSX
	U01	silver			IXSH
	A23	black			I555
(1)	997 803 034 04	seat belt	/R	1	
	V02	speed yellow			IXSY
	N13	guards red			IXSX
	U01	silver			IXSH
	A23	black			I555
2	999 075 070 09	hexagon-head bolt		2	
3	997 803 231 01	support front vertical adjustment with fastening screw		2	
4	900 067 131 02	screw		2	
5	996 803 825 01	relay lever		2	
6	900 378 036 09	hexagon-head bolt		4	
7	999 028 021 01	spring washer B 14,2		2	
8	997 803 521 00	cover		2	
	A03	black			
9	999 924 064 02	bush		2	
10	211 857 771	washer		2	
11	999 075 073 09	hexagon-head bolt		2	
12	811 857 845	cap		2	
	01C	black			
13	996 803 183 08	seat-belt buckle passenger's side		1	I375/376/377 I378

Model	Year	MG	SG	Illustration	Restrictions	Update	16:55	25.10.2006	PORSCHE	PET	PORSCHE
gt3-2	07	8	12	812-00		207					

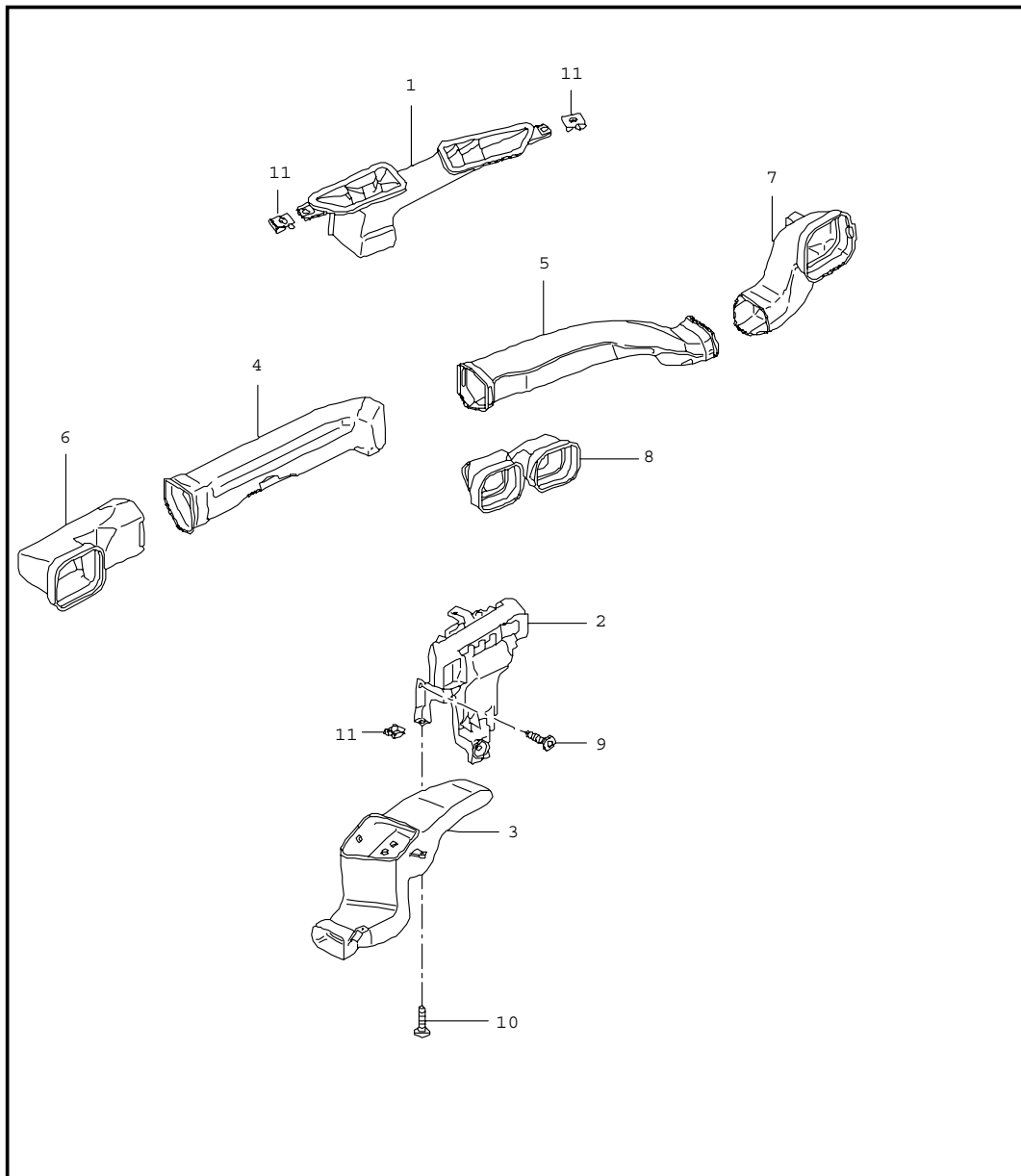
Pos	Part Number	Name	Remarks	Qty	Model	Pos	Part Number	Name	Remarks	Qty	Model
(13)	997 803 183 02	seat-belt buckle driver's side		1	I384/385						
(13)	997 803 183 01	seat-belt buckle driver's side		1	I375/376/377 I378						
13	997 803 183 03	seat-belt buckle passenger's side		1	I384/385						
14	999 218 101 02	hexagon-head bolt		2							
15	--- --- --- --	cable for seat-belt tensioner see group 9/02/10		X							
16	955 803 056 00	knob		2							
	HCP	black									
17	997 803 334 00	clamping piece		2							
	01C	black									
-- K	997 803 037 90	seat belt 6-point seat belt		1							
-- K	997 580 986 00	roll cage		1							
-- K	997 580 986 01	roll cage		1	I004						
	041	black									
22	000 043 206 96	clamp see technical manual 693649		2							
		- - - E N D - - -									

Model	Year	MG	SG	Illustration	Restrictions	Update	16:55	25.10.2006	PORSCHE	PET	PORSCHE
gt3-2	07	8	13	813-00		207					



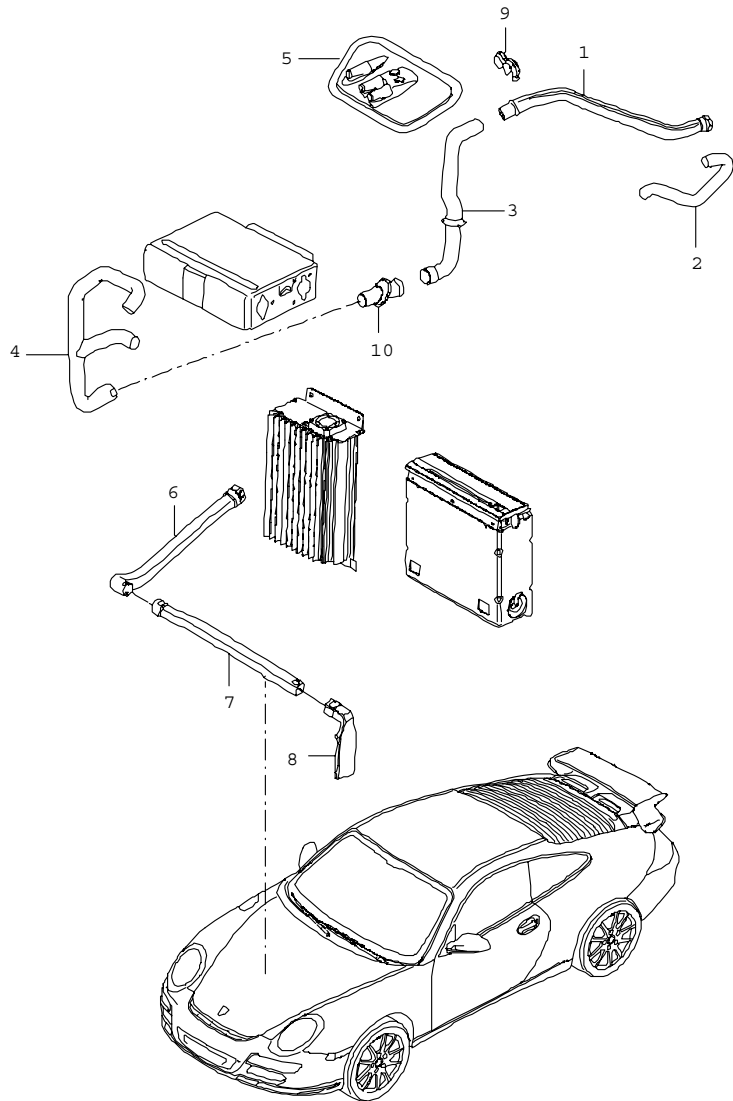
Pos	Part Number	Name	Remarks	Qty	Model
		heating system 1 feed line return line			
1	996 572 583 04	heater hose intake	/LL	1	I098
(1)	996 572 583 05	heater hose intake	/RL	1	I099
2	996 572 585 04	heater hose return	/LL	1	I098
(2)	996 572 585 05	heater hose return	/RL	1	I099
3	999 512 656 09	hose clamp B25 X 12		2	
4	999 512 346 00	hose clamp A16-27/9		2	
5	996 572 263 02	gasket	/LL	1	I098
(5)	996 572 263 03	gasket	/RL	1	I099
6	997 572 681 00	heater pipeline supply		1	
7	997 572 683 00	heater pipeline return		1	
8	996 572 785 00	connection piece		X	
9	999 511 230 40	cable holder		4	
--	999 511 232 41	rubber mounting 19/19		4	
- - - E N D - - -					

Model	Year	MG	SG	Illustration	Restrictions	Update	16:55	25.10.2006	PORSCHE	PET	PORSCHE
gt3-2	07	8	13	813-01		207					



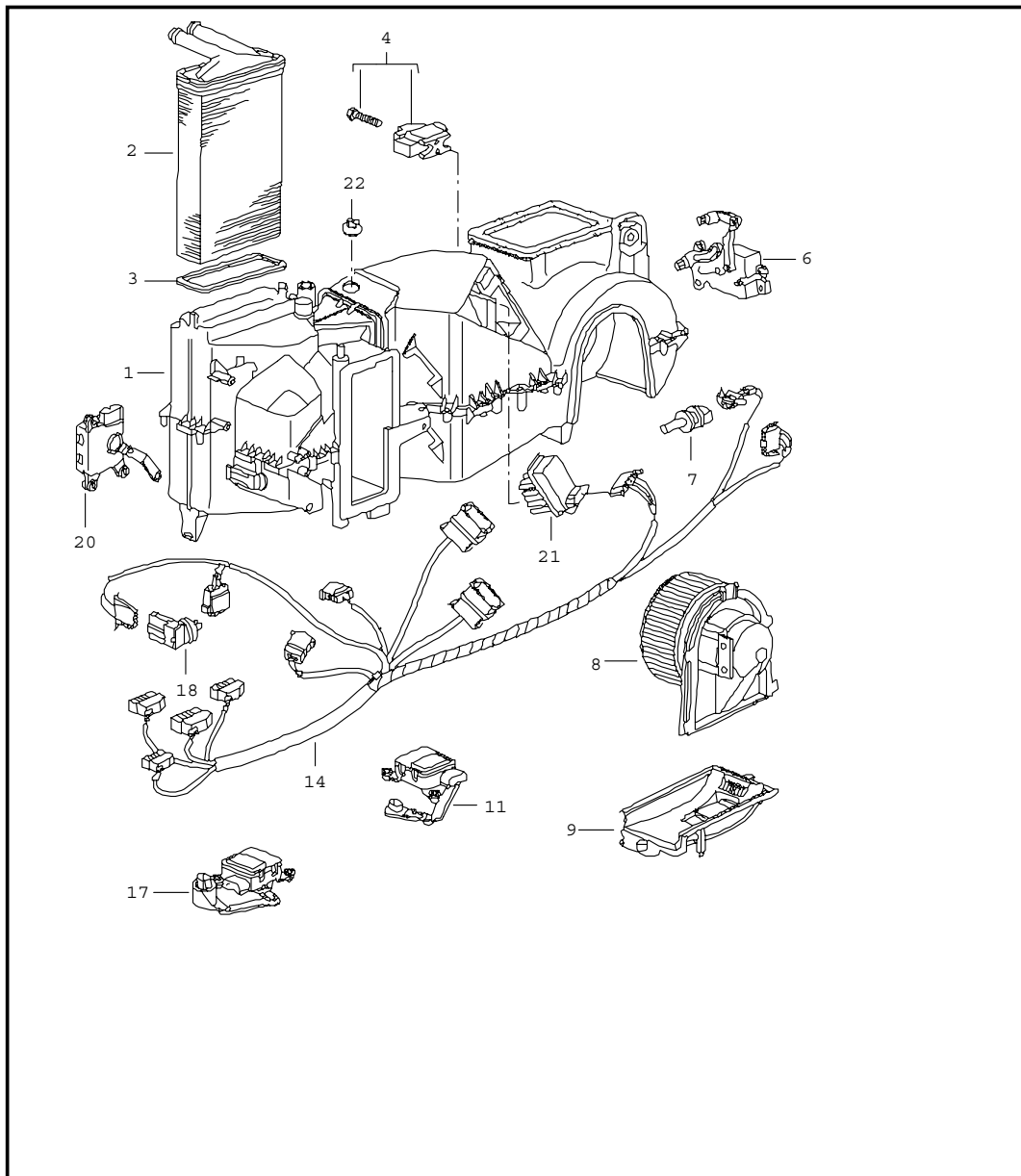
Pos	Part Number	Name	Remarks	Qty	Model
		air distributor passenger compartment			
1	997 572 631 00	intermediate piece	/LL	1	I098
(1)	997 572 631 01	intermediate piece	/RL	1	I099
2	997 572 171 00	air distributor	/LL	1	I098
(2)	997 572 171 01	air distributor	/RL	1	I099
3	997 572 793 00	footwell outlet vent	/LL	1	I098
(3)	997 572 793 02	footwell outlet vent	/LL	1	I098/680
(3)	997 572 793 01	footwell outlet vent	/RL	1	I099
(3)	997 572 793 03	footwell outlet vent	/RL	1	I099/680
4	997 572 463 01	air duct	/LL /L	1	I098
(4)	997 572 463 00	air duct	/RL /L	1	I099
5	997 572 464 00	air duct	/LL /R	1	I098
(5)	997 572 464 01	air duct	/RL /R	1	I099
6	997 572 767 00	air duct	/LL /L	1	I098
(6)	997 572 767 01	air duct	/RL /L	1	I099
7	997 572 768 00	air duct	/RL /R	1	I099
(7)	997 572 768 01	air duct	/LL /L	1	I098
8	997 572 769 00	air duct	/LL /L	1	I098
(8)	997 572 769 01	air duct	/RL /R	1	I099
9	999 919 118 09	oval-head screw		2	
10	999 073 155 09	tapping screw		2	
11	999 507 785 02	speed nut ST 4.2		3	
- - - E N D - - -					

Model	Year	MG	SG	Illustration	Restrictions	Update	16:55	25.10.2006	PORSCHE	PET	PORSCHE
gt3-2	07	8	13	813-02		207					



Pos	Part Number	Name	Remarks	Qty	Model
		luggage compartment cooling			I575
1	997 572 582 00	air duct plenum panel		1	
2	997 572 580 00	air duct air conditioner		1	
3	997 572 584 01	air duct bulkhead		1	
4	997 572 586 02	air duct booster		1	
5	997 572 263 00	gasket		1	
6	997 572 586 03	air duct booster		1	I664
7	997 572 586 04	air duct booster		1	I664
8	997 572 586 05	air duct booster		1	I664
9	999 507 830 40	cable holder 21,5 X 21,5		1	
- - - E N D - - -					

Model	Year	MG	SG	Illustration	Restrictions	Update	16:56	25.10.2006	PORSCHE	PET	PORSCHE
gt3-2	07	8	13	813-05		207					

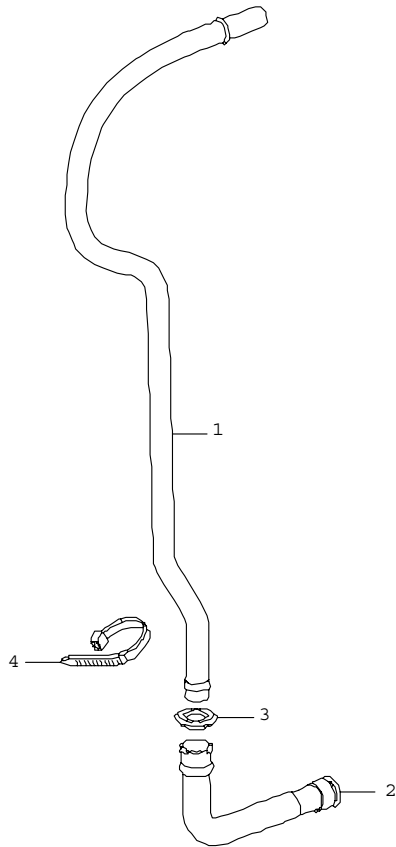


Pos	Part Number	Name	Remarks	Qty	Model
		air conditioner single parts			I573
1	997 573 901 00	air conditioner	/LL	1	I098
1	996 573 901 01	air conditioner without heat exchanger with evaporator	/RL	1	I099
2	997 572 129 00	heat exchanger		1	
3	996 572 913 00	gasket		1	
4	996 573 929 01	expansion valve		1	
6	996 573 915 00	electric motor central valve marked green	/LL	1	I098
6	996 573 915 01	electric motor central valve marked white	/RL	1	I099
7	955 572 304 10	temperature sensor		1	
8	996 624 107 01	blower	/LL	1	I098
8	996 624 108 01	blower	/RL	1	I099
9	996 573 905 00	cover		1	
11	996 573 919 02	electric motor temperature valve marked red	/LL	1	I098
11	996 573 919 03	electric motor temperature valve marked red	/RL	1	I099
14	997 612 655 02	wiring harness		1	
(14)	997 612 656 02	wiring harness	/RL	1	I099
17	996 573 917 02	electric motor defroster flap marked yellow	/LL	1	I099
(17)	996 573 917 03	electric motor defroster flap marked black	/RL	1	I099

Model	Year	MG	SG	Illustration	Restrictions	Update	16:56	25.10.2006	PORSCHE	PET	PORSCHE
gt3-2	07	8	13	813-05		207					

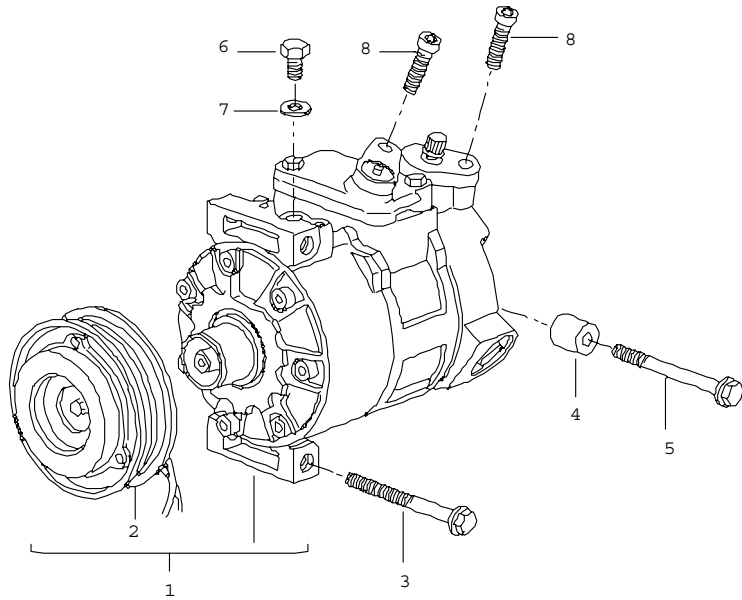
Pos	Part Number	Name	Remarks	Qty	Model	Pos	Part Number	Name	Remarks	Qty	Model
18	1H0 907 543 A	temperature sensor		1							
20	996 573 921 02	defroster flap air flow sensor plate	/LL	1	I098						
(20)	996 573 921 03	electric motor air flow sensor plate marked black	/RL	1	I099						
21	996 573 923 00	resistor		1							
--	996 573 927 00	interior sensor		1							
--	1H0 819 943	screw		2							
22	997 573 935 00	plug		1							
		- - - E N D - - -									

Model	Year	MG	SG	Illustration	Restrictions	Update	16:56	25.10.2006	PORSCHE	PET	PORSCHE
gt3-2	07	8	13	813-10		207					



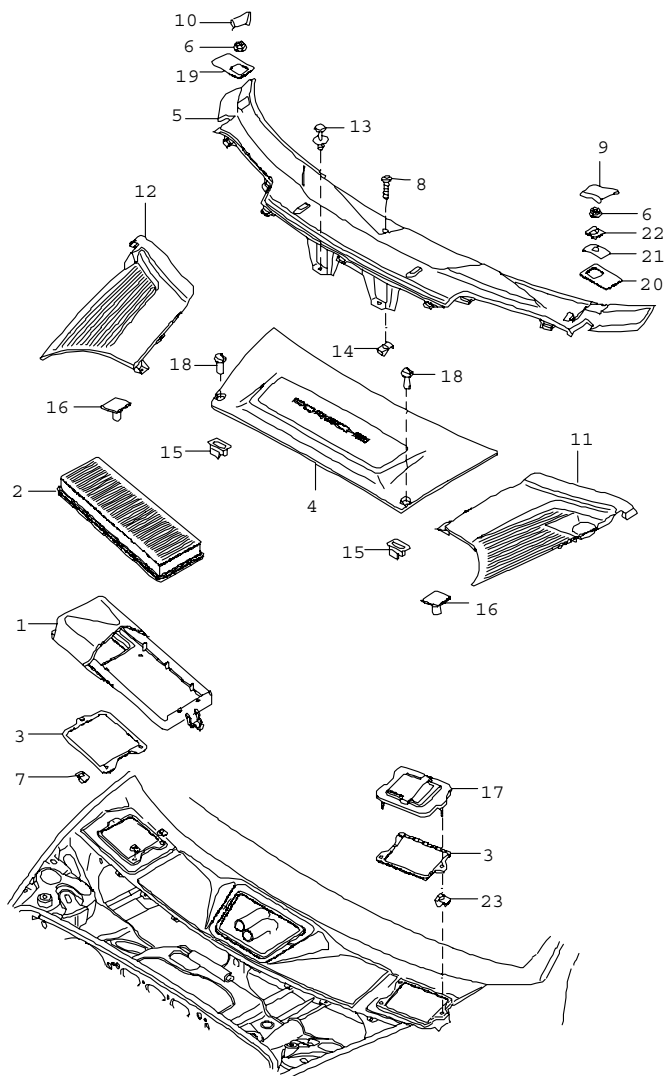
Pos	Part Number	Name	Remarks	Qty	Model
		water drain tube mount air conditioner			
1	996 573 793 01	water drain tube	/LL	1	I098
1	996 573 794 01	water drain tube	/RL	1	I099
2	996 573 797 02	connecting piece		1	
3	996 573 795 01	grommet		1	
4	999 513 049 40	tie-wrap		1	
		- - - E N D - - -			

Model	Year	MG	SG	Illustration	Restrictions	Update	16:56	25.10.2006	PORSCHE	PET	PORSCHE
gt3-2	07	8	13	813-15		207					



Pos	Part Number	Name	Remarks	Qty	Model
		compressor			
1	996 126 011 52	compressor		1	
2	996 573 926 00	repair kit		1	
3	900 385 102 01	torx screw Bm 8 X 90		2	
4	996 126 102 71	spacer		1	
5	900 385 281 01	torx screw M 8X120		1	
6	996 573 926 01	oil filler screw		1	
7	996 573 926 02	sealing ring		1	
8	900 067 252 02	pan-head screw		2	
		- - - E N D - - -			

Model	Year	MG	SG	Illustration	Restrictions	Update	16:56	25.10.2006	PORSCHE	PET	PORSCHE
gt3-2	07	8	13	813-20		207					

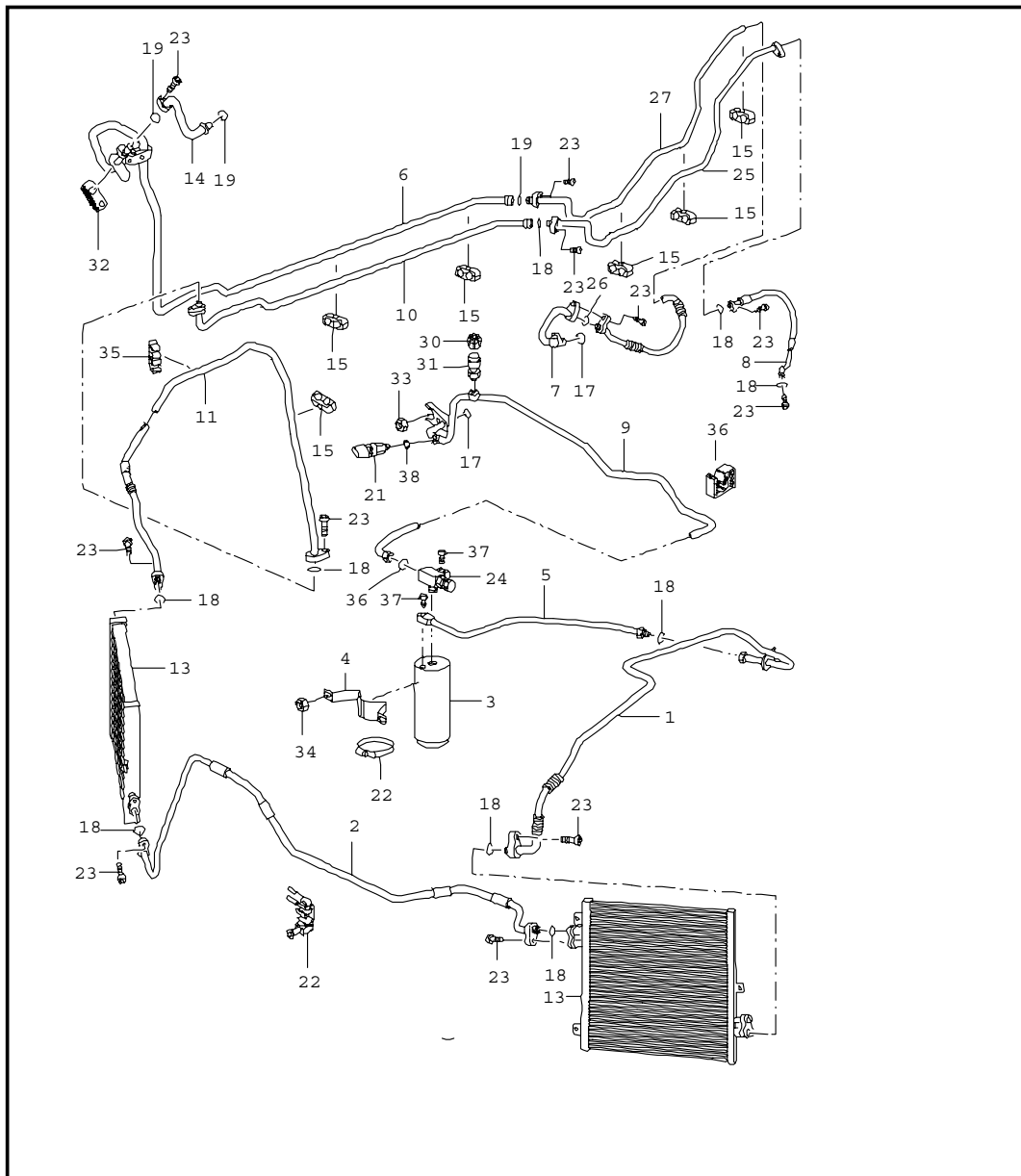


Pos	Part Number	Name	Remarks	Qty	Model
		particle filter cowl panel covering			
1	997 572 019 04	housing	/LL	1	I098
1	997 572 019 05	housing	/RL	1	I099
2	997 571 219 00	particle filter		1	
3	997 572 221 00	gasket		1	
4	997 572 567 04	cover		1	
	FMT	black battery			
(4)	997 572 729 02	cover particle filter	/LL	1	I098
(4)	997 572 729 03	cover particle filter	/RL	1	I099
5	997 572 563 08	cover cowl	/LL	1	I098
	FMT	black			
(5)	997 572 563 05	cover cowl	/RL 06-	1	I099
	FMT	black			
6	999 076 071 02	hexagon nut M6		2	
7	999 507 348 02	speed nut		3	
8	N 906 487 02	tapping screw		1	
9	997 572 569 04	cap	/L	2	I098
	FMT	black			
9	997 572 569 05	cap	/L	2	I099
	FMT	black			
10	997 572 570 04	cap	/R	1	I098
	FMT	black			
10	997 572 570 05	cap	/R	1	I099
	FMT	black			
11	997 572 361 06	cover	/L	1	
	02A	black			

Model	Year	MG	SG	Illustration	Restrictions	Update	16:56	25.10.2006	PORSCHE	PET	PORSCHE
gt3-2	07	8	13	813-20		207					

Pos	Part Number	Name	Remarks	Qty	Model	Pos	Part Number	Name	Remarks	Qty	Model
12	997 572 362 07	cover	/R	1							
	02A	black									
13	999 507 497 40	expansion rivet		2							
		8 X 14									
14	999 507 834 41	expander nut		1							
		ST 4,8									
15	999 590 046 40	disc cam		2							
16	999 902 046 40	catch		1							
17	997 572 419 02	cover		2							
18	997 572 867 00	locking bolt		2							
	02A	black									
--	997 572 763 00	cover		1							
19	997 572 842 00	pressure plate		1							
		passenger's side									
20	997 572 841 00	pressure plate		1							
		driver's side									
21	997 572 837 00	spring plate		1							
		driver's side									
22	997 572 533 00	retainer plate		1							
		driver's side									
23	999 591 855 02	speed nut		3							
		- - - E N D - - -									

Model	Year	MG	SG	Illustration	Restrictions	Update	16:56	25.10.2006	PORSCHE	PET	PORSCHE
gt3-2	07	8	13	813-25		207					

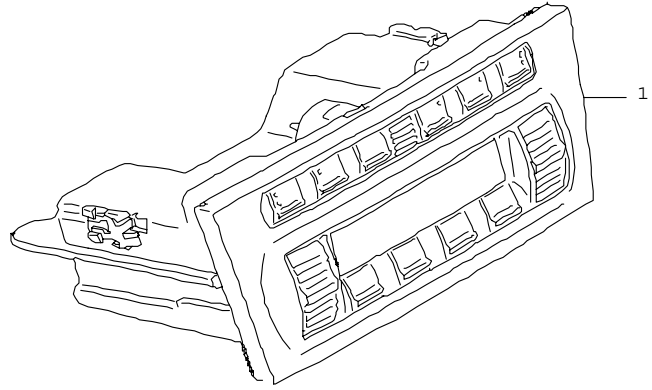


Pos	Part Number	Name	Remarks	Qty	Model
		refrigerant circuit			
1	997 573 105 02	pressure line		1	
2	997 573 103 00	pressure line		1	
3	944 573 143 01	desiccator		1	
4	996 573 451 00	support		1	
5	996 573 106 00	refrigerant line		1	
6	996 573 091 01	intake pipe		1	
7	997 573 099 01	intake pipe		1	
8	997 573 096 03	pressure line		1	
9	997 573 108 02	pressure line	/LL	1	I098
(9)	997 573 108 01	pressure line	/RL	1	I099
10	996 573 092 02	pressure line		1	
11	997 573 094 00	pressure line		1	
12	996 347 543 00	cable holder		1	
13	996 573 111 03	condenser		2	
14	996 573 093 06	intake pipe	/LL	1	I098
14	996 573 093 07	intake pipe	/RL	1	I099
15	999 511 230 40	cable holder use also:		X	
--	999 511 231 41	rubber mounting		2	
16	999 707 531 41	o-ring 7,5X2		2	
17	999 707 439 41	o-ring 23,8X2,4		2	
18	999 707 434 41	o-ring 10,6X2		X	
19	999 707 534 41	o-ring 17X2		3	
20	999 707 262 40	o-ring 6,7X1,8		X	
21	1K0 959 126 B	pressure sensor		1	
22	999 512 349 02	hose clamp A50 - 70/9		1	

Model	Year	MG	SG	Illustration	Restrictions	Update	16:56	25.10.2006	PORSCHE	PET	PORSCHE
gt3-2	07	8	13	813-25		207					

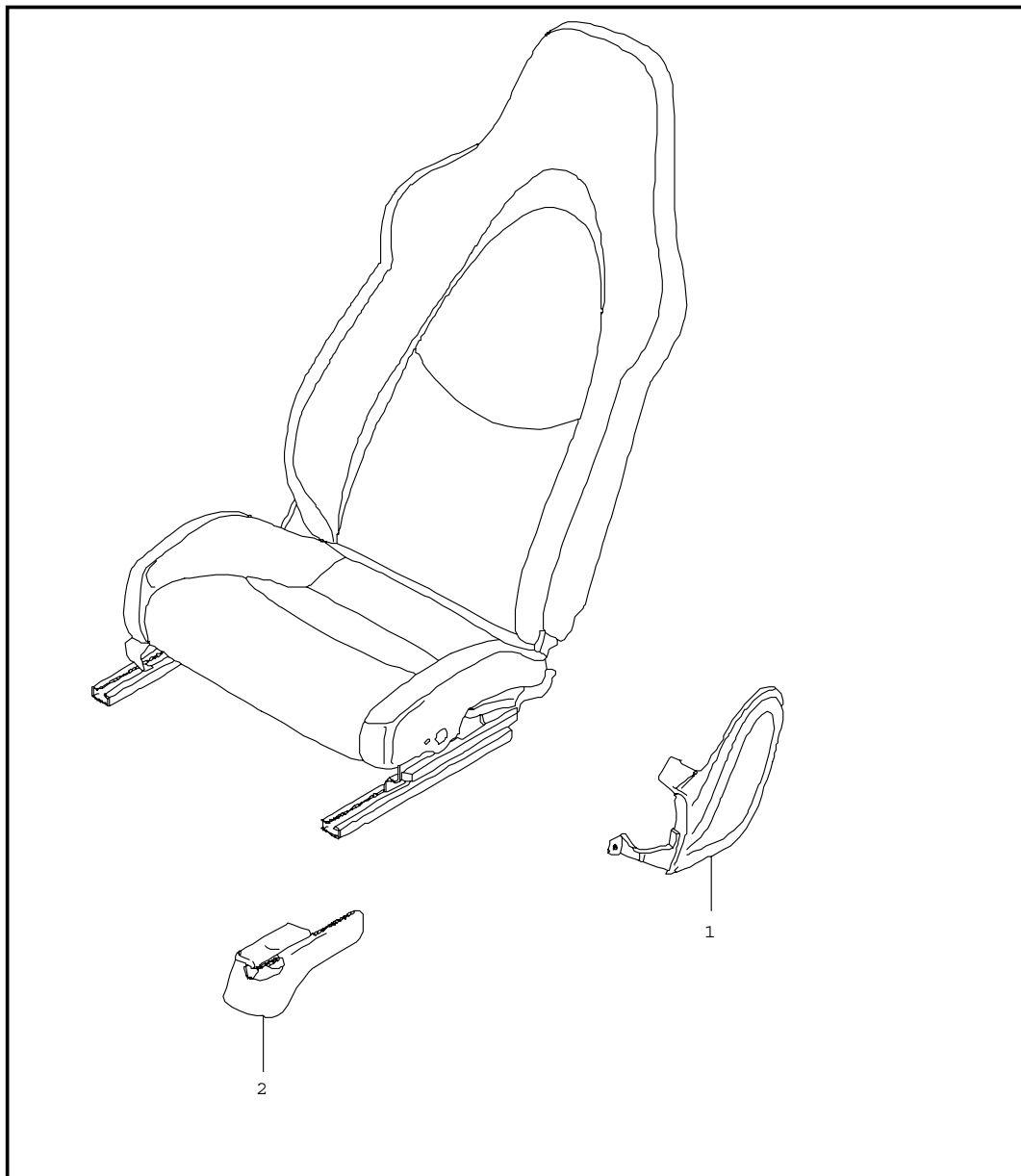
Pos	Part Number	Name	Remarks	Qty	Model	Pos	Part Number	Name	Remarks	Qty	Model
23	900 067 247 02	screw m8 x 30		X							
24	997 573 243 00	distributing piece		1							
25	997 573 096 03	pressure line		1							
26	999 707 558 41	o-ring 13,7x2,5		X							
27	997 573 095 01	intake pipe		1							
30	944 573 663 02	cap		1							
31	996 573 666 00	valve		1							
32	996 573 769 01	grommet		1							
33	900 377 010 09	hexagon nut M 6		1							
34	900 380 015 09	hexagon nut M6		2							
35	996 355 547 01	support		1							
36	999 591 922 40	support		1							
(36)	999 513 049 40	tie-wrap	/RL	1	I098						
37	900 075 340 02	hexagon-head bolt M6 x 22		2							
38	999 707 555 41	o-ring 10,8 X 1,8		1							
		- - - E N D - - -									

Model	Year	MG	SG	Illustration	Restrictions	Update	16:57	25.10.2006	PORSCHE	PET	PORSCHE
gt3-2	07	8	13	813-45		207					



Pos	Part Number	Name	Remarks	Qty	Model
		control switch			
1	997 653 101 11	control part		1	I573
	FMH	volcano grey/black mat			
1	997 653 111 11	control part		1	I573/342
	FMH	volcano grey/black mat			
		- - - E N D - - -			

Model	Year	MG	SG	Illustration	Restrictions	Update	16:57	25.10.2006	PORSCHE	PET	PORSCHE
gt3-2	07	8	17	817-20		207					



Pos	Part Number	Name	Remarks	Qty	Model
		front seat complete not available sports seat	07-		GT3
1	997 521 315 02	trim D07 volcano grey	/L	1	
(1)	997 521 316 02	trim D07 volcano grey	/R	1	
(1)	997 521 316 03	trim mounting component advancedairbag D07 volcano grey		1	I560
2	997 521 359 01	rail 01C satin black		1	I369/375
(2)	997 521 360 01	rail seat rail manual 01C satin black	/R	1	I370/376
(2)	997 521 361 00	rail seat rail 01C satin black		1	I377/378
(2)	997 521 362 00	rail seat rail 01C satin black		1	I377/378
- - - E N D - - -					

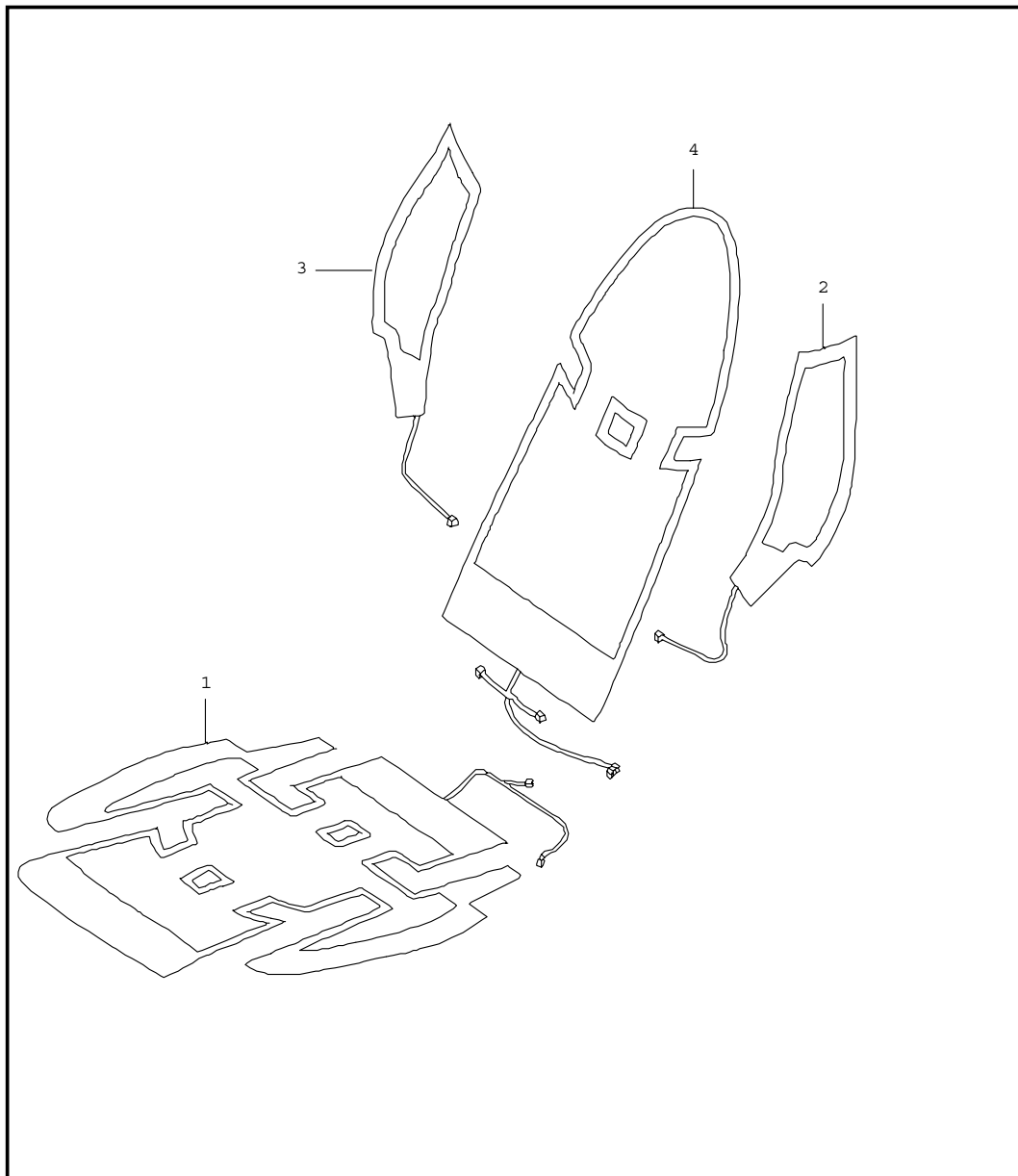
Model	Year	MG	SG	Illustration	Restrictions	Update	16:57	25.10.2006	PORSCHE	PET	PORSCHE
gt3-2	07	8	17	817-25		207					

Pos	Part Number	Name	Remarks	Qty	Model
			07-		GT3
1	997 521 535 01	foam part cover sports seat		1	I375/376
1	997 521 535 02	foam part backrest outer		1	I377/378
2	997 521 581 00	foam part backrest centre		1	
3	997 521 571 01	foam part		1	I375/376
(3)	997 521 571 02	foam part		1	I377/378
(3)	997 521 571 04	foam part		1	I376/560
(3)	997 521 571 05	foam part seat cushion		1	
4	997 521 551 00	cushion carrier backrest		1	
5	997 521 161 07	cover for cushion alcantara		1	I375/376/951
		RAA black			
		RAB dark grey/natural			
(5)	997 521 161 08	cover for cushion alcantara		1	I377/378/951
		RAA black			
		RAB dark grey/natural			
6	997 521 151 00	backrest cushion cover centre part alcantara		1	I375/376/377 I378/951
		8YR black			
		D11 dark grey/natural			
(7)	997 521 155 01	backrest cover outer part		1	I376/377/378 I951
		FLC black			
		VAA dark grey/natural			
8	997 521 837 00	clip padding seat		6	

Model	Year	MG	SG	Illustration	Restrictions	Update	16:57	25.10.2006	PORSCHE	PET	PORSCHE
gt3-2	07	8	17	817-25		207					

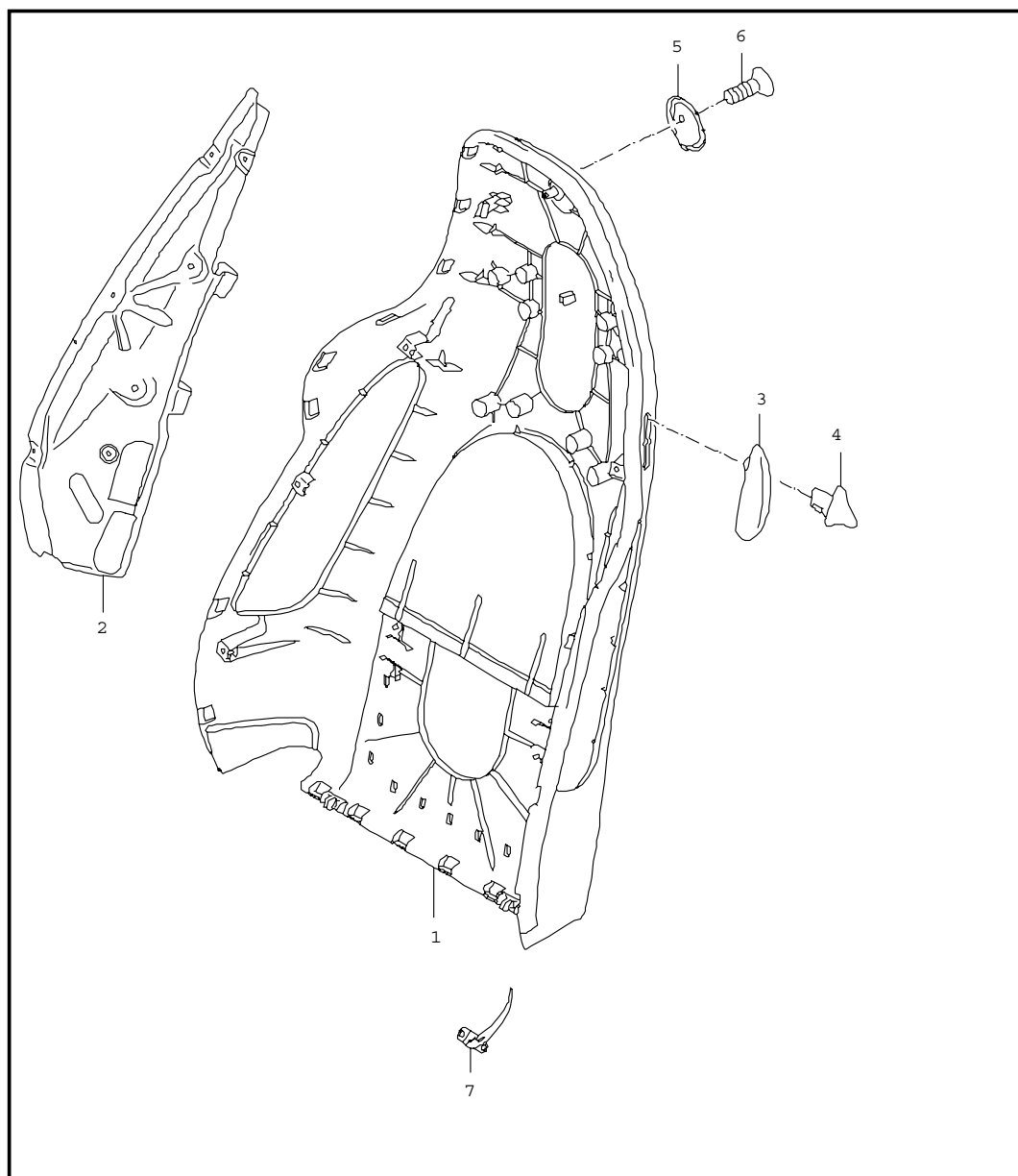
Pos	Part Number	Name	Remarks	Qty	Model	Pos	Part Number	Name	Remarks	Qty	Model
9	997 521 897 00	clip backrest cover - - - E N D - - -		5							

Model	Year	MG	SG	Illustration	Restrictions	Update	16:57	25.10.2006	PORSCHE	PET	PORSCHE
gt3-2	07	8	17	817-28		207					



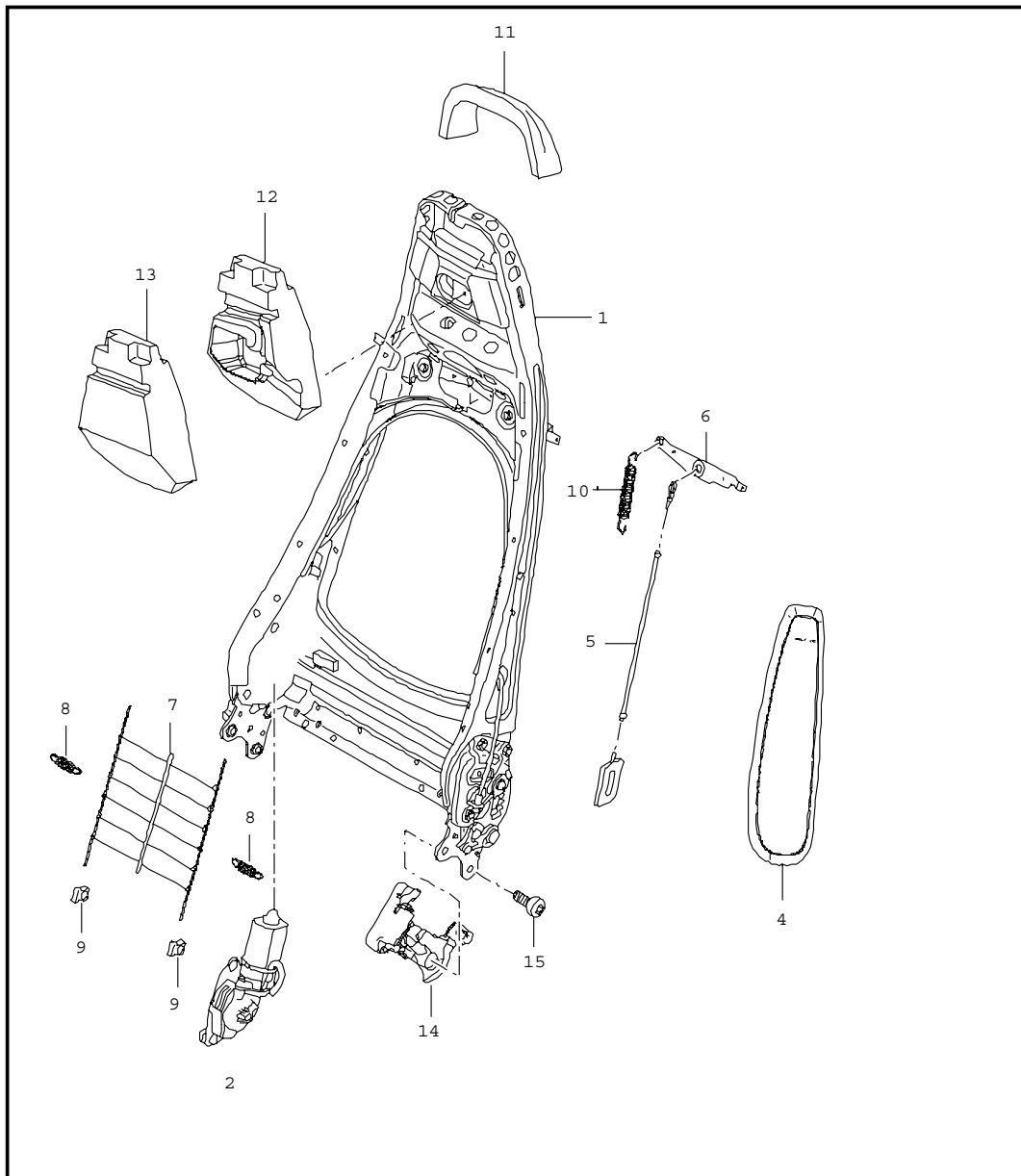
Pos	Part Number	Name	Remarks	Qty	Model
		heating sports seat front seat	07-		GT3
2	997 653 105 03	heating element seat cushion sports seat	/L/R	2	I375/376/377 I378/342
2	997 653 109 01	heating element backrest side part sports seat	/L	1	I375/376/377 I378/342
3	997 653 110 01	heating element backrest side part sports seat	/R	1	I375/376/377 I378/342
4	997 653 107 00	heating element backrest cushion	/L/R	2	I342
		- - - E N D - - -			

Model	Year	MG	SG	Illustration	Restrictions	Update	16:57	25.10.2006	PORSCHE	PET	PORSCHE
gt3-2	07	8	17	817-30		207					



Pos	Part Number	Name	Remarks	Qty	Model
		backrest shell sports seat	07-		GT3
1	997 521 303 13	backrest shell	/L	1	I375/377
	D07	volcano grey			
(1)	997 521 304 13	backrest shell	/R	1	I376/378
	D07	volcano grey			
2	997 521 319 00	bracket	/L	1	
(2)	997 521 320 00	bracket backrest side part	/R	1	
3	997 521 621 03	rose	/L	1	
	D07	volcano grey			
(3)	997 521 622 03	rose locking lever	/R	1	
	D07	volcano grey			
4	997 521 623 02	control button	/L	1	
	V05	galvano silver			
(4)	997 521 624 02	control button	/R	1	
	V05	galvano silver			
5	997 521 373 01	coat hook	/L/R	2	
	D07	volcano grey			
6	999 919 232 09	screw coat hook		2	
7	997 521 783 00	bracket	/L	1	
(7)	997 521 784 00	bracket backrest shell	/R	1	
		- - - E N D - - -			

Model	Year	MG	SG	Illustration	Restrictions	Update	16:58	25.10.2006	PORSCHE	PET	PORSCHE
gt3-2	07	8	17	817-40		207					

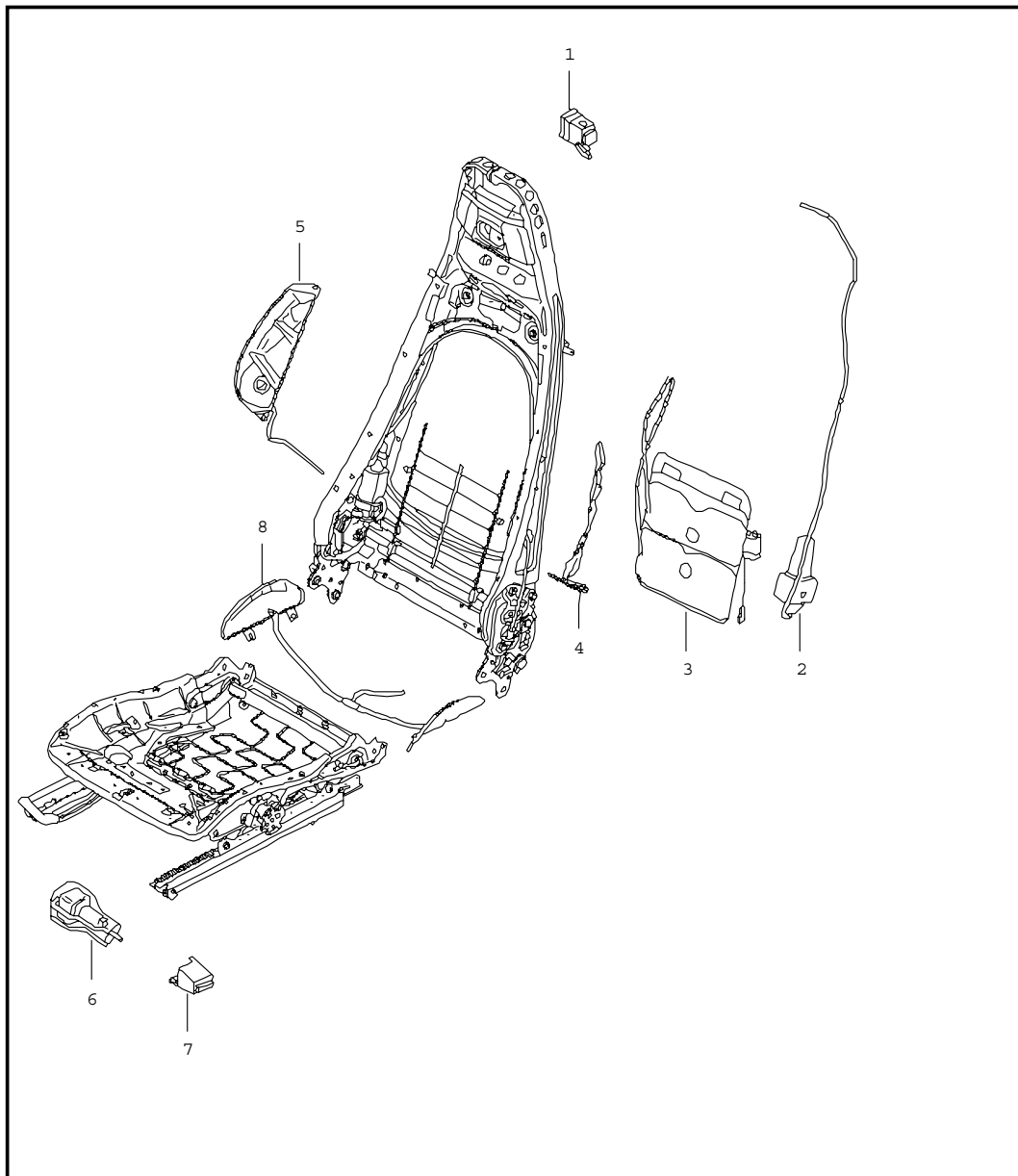


Pos	Part Number	Name	Remarks	Qty	Model
		backrest frame sports seat	07-		GT3
1	997 521 329 00	backrest frame	/L/R	2	
2	997 624 321 00	electric motor backrest without memory	/L/R	1	I377/378
4	997 803 081 01	side airbag	/L	1	
	D07	volcano grey			
(4)	997 803 082 01	side airbag	/R	1	
	D07	volcano grey			
5	997 521 485 00	bowden cable backrest frame		2	
6	997 521 375 00	release backrest frame		2	
7	997 521 855 00	grille backrest frame		2	
8	997 521 893 00	tension spring grille		2	
9	997 521 895 00	clip grille		2	
10	997 521 797 00	tension spring release backrest		1	
11	997 521 885 00	foam part head rest upper		1	
12	997 521 887 01	foam part head rest centre		1	I377/378
13	997 521 887 00	foam part head rest centre		1	I375/376
14	997 521 335 01	cover mounting component inner	/L	1	
	D07	volcano grey			
(14)	997 521 336 01	cover mounting component inner	/R	1	

Model	Year	MG	SG	Illustration	Restrictions	Update	16:58	25.10.2006	PORSCHE	PET	PORSCHE
gt3-2	07	8	17	817-40		207					

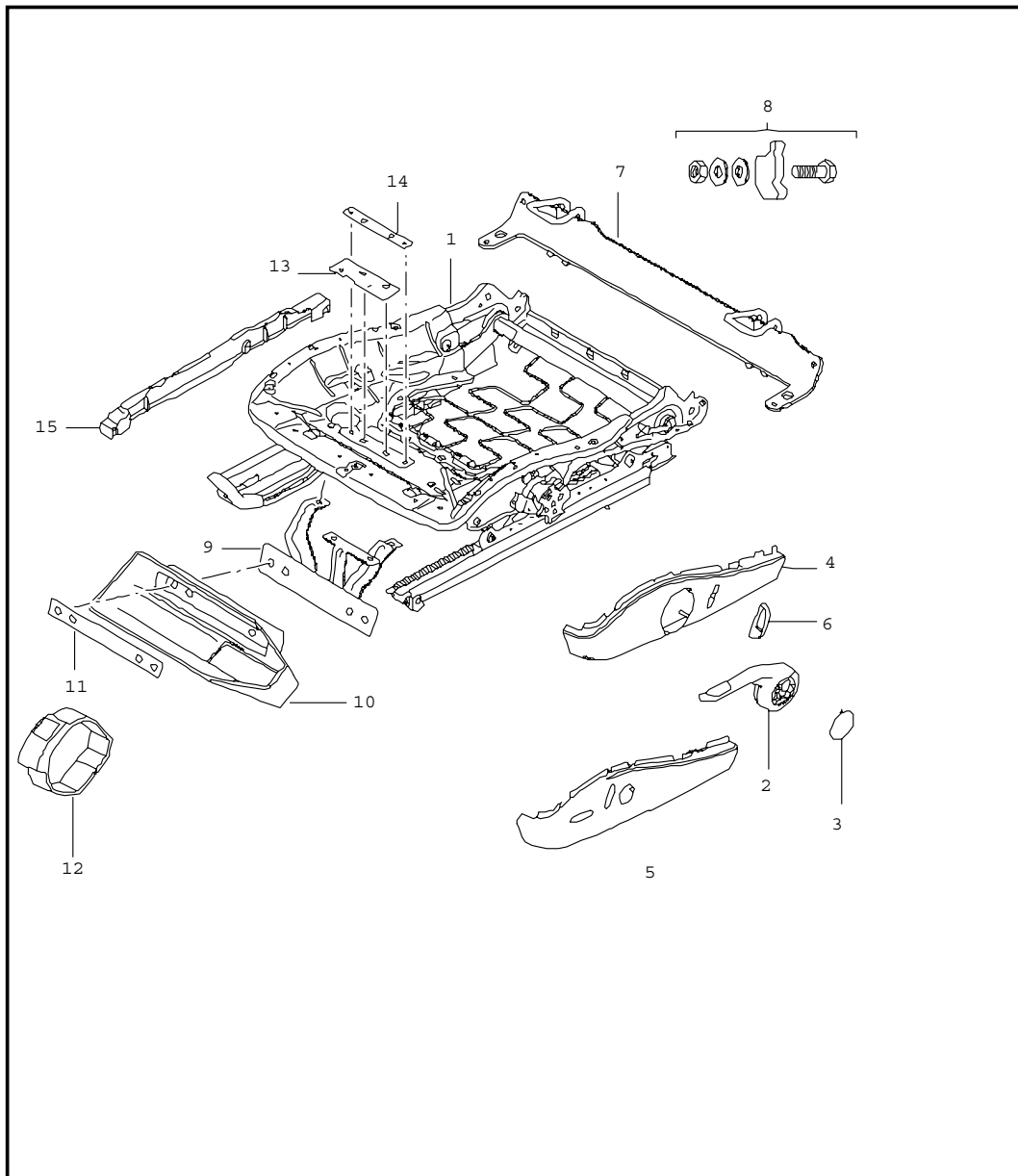
Pos	Part Number	Name	Remarks	Qty	Model	Pos	Part Number	Name	Remarks	Qty	Model
	D07	volcano grey									
15	999 073 375 09	screw mount backrest seat adjuster - - - E N D - - -		4							

Model	Year	MG	SG	Illustration	Restrictions	Update	16:58	25.10.2006	PORSCHE	PET	PORSCHE
gt3-2	07	8	17	817-43		207					



Pos	Part Number	Name	Remarks	Qty	Model
		lumbar support sports seat	07-		GT3
1	997 617 725 00	valve lumbar support		1	
2	997 620 725 00	compressor lumbar		1	
3	997 521 709 00	lumbar support backrest		1	
4	997 521 711 00	container air distributor backrest side part	/L	1	
5	997 521 712 00	container air distributor backrest side part	/R	1	
6	997 620 727 00	compressor adjustment cushion		1	
7	997 617 727 00	valve adjustment seat wide		1	
8	997 521 713 01	container air distributor cushion		1	
- - - E N D - - -					

Model	Year	MG	SG	Illustration	Restrictions	Update	16:58	25.10.2006	PORSCHE	PET	PORSCHE
gt3-2	07	8	17	817-45		207					

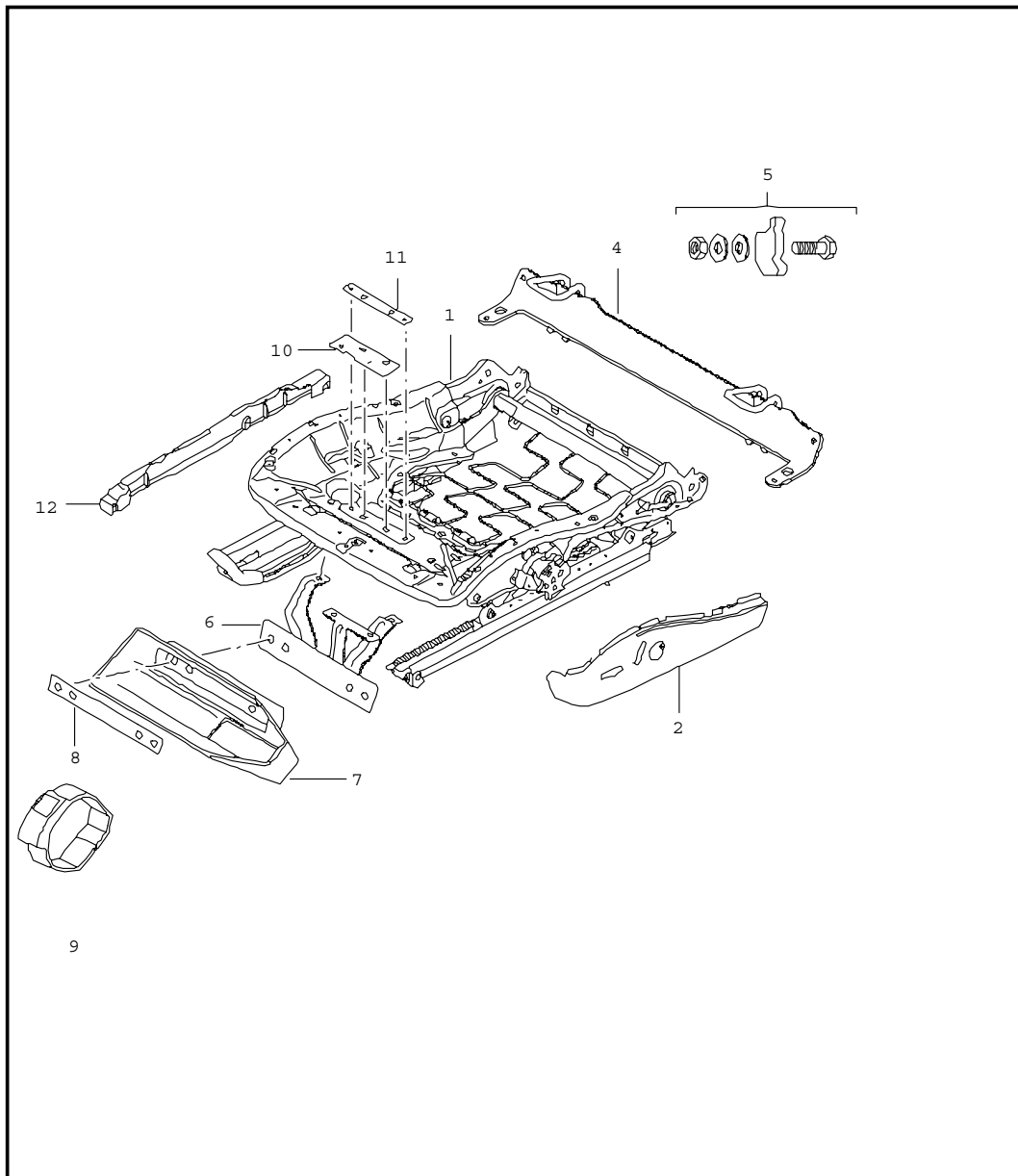


Pos	Part Number	Name	Remarks	Qty	Model
		seat adjuster sports seat manual	07-		GT3
1	997 521 201 00	seat adjuster manual left-hand drive driver's side	/LL/L	1	I098/375
(1)	997 521 202 00	seat adjuster manual right-hand drive driver's side		1	I099/376
(1)	997 521 201 03	seat adjuster manual right-hand drive passenger's side	/L	1	I099/375
(1)	997 521 202 05	seat adjuster manual left-hand drive passenger's side	/R	1	I098/376
(1)	997 521 202 06	seat adjuster manual seat occupancy detection		1	I376/560
(2)	997 521 627 01	actuating lever	/L	1	I375
		V05 galvano silver			
(2)	997 521 628 01	actuating lever height adjustment	/R	1	I376
		V05 galvano silver			
3	997 521 629 01	cap height adjustment	/L/R	1	
		D07 volcano grey			
4	997 521 325 06	trim for switch	/L	1	I375
		D07 volcano grey			
(4)	997 521 326 06	trim for switch	/R	1	I376
		D07 volcano grey			
5	997 521 325 08	trim for switch elect. backrest adjustment		1	I377
		D07 volcano grey			
(5)	997 521 326 08	trim for switch elect. backrest adjustment		1	I378

Model	Year	MG	SG	Illustration	Restrictions	Update	16:58	25.10.2006	PORSCHE	PET	PORSCHE
gt3-2	07	8	17	817-45		207					

Pos	Part Number	Name	Remarks	Qty	Model	Pos	Part Number	Name	Remarks	Qty	Model
	D07	volcano grey					01C	satin black			
(5)	997 521 326 09	trim for switch advancedairbag	/R	1	I376/560	16	999 141 047 01	torx screw mount seat rail		4	
	D07	volcano grey									
(5)	997 521 326 11	trim for switch advancedairbag	/R	1	I378/560			- - - E N D - - -			
	D07	volcano grey									
(6)	997 521 631 01	control button backrest	/L/R	1							
	V05	galvano silver									
7	997 521 061 01	retaining bow child car seat not for Australien		1							
8	997 521 961 01	set of fastening parts retaining bow child car seat		1							
9	997 521 251 00	support fire extinguisher		1	I098/509						
(9)	997 521 252 00	support fire extinguisher		1	I099/509						
10	997 521 607 00	cup fire extinguisher		1	I509						
11	997 521 881 00	support cup fire extinguisher		1	I509						
12	997 521 851 00	restraining strap fire extinguisher		1	I509						
13	997 521 841 00	reinforcement front		1	I509						
14	997 521 843 00	reinforcement rear		1	I509						
15	997 521 427 01	cover sensor weight	/L	1	I376/378/560						
	01C	satin black									
(15)	997 521 426 01	cover sensor weight	/R	1	I376/378/560						

Model	Year	MG	SG	Illustration	Restrictions	Update	16:58	25.10.2006	PORSCHE	PET	PORSCHE
gt3-2	07	8	17	817-50		207					

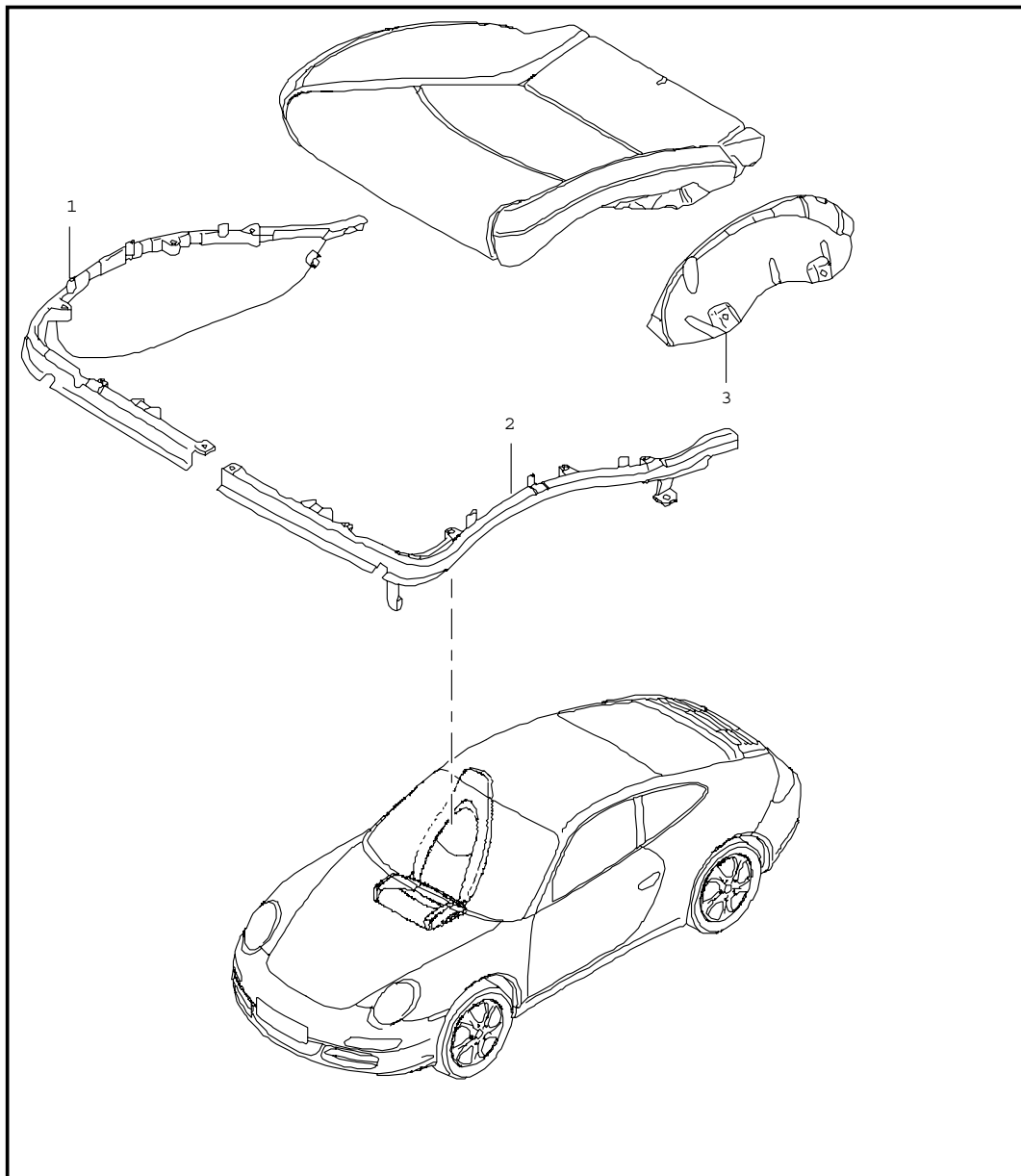


Pos	Part Number	Name	Remarks	Qty	Model
		seat adjuster sports seat elect. vertical adjustment	07-		GT3
1	997 521 201 04	seat adjuster	/L	1	I377
(1)	997 521 202 10	seat adjuster	/R	1	I378
(1)	997 521 202 12	seat adjuster with advancedairbag		1	I378/560
2	997 521 325 06	trim for switch	/L	1	I375
	D07	volcano grey			
(2)	997 521 326 06	trim for switch	/R	1	I376
	D07	volcano grey			
(2)	997 521 325 08	trim for switch	/L	1	I377
	D07	volcano grey			
(2)	997 521 326 08	trim for switch	/R	1	I378
	D07	volcano grey			
(2)	997 521 326 09	trim for switch		1	I376/560
	D07	volcano grey advancedairbag			
(2)	997 521 326 11	trim for switch		1	I378/560
	D07	volcano grey advancedairbag			
3	997 521 631 01	control button backrest		1	
	V05	galvano silver			
4	997 521 061 01	retaining bow child car seat not for Australien		1	
5	997 521 961 01	set of fastening parts retaining bow child car seat		1	
6	997 521 251 00	support fire extinguisher		1	I098/509
(6)	997 521 252 00	support fire extinguisher		1	I099/509

Model	Year	MG	SG	Illustration	Restrictions	Update	16:58	25.10.2006	PORSCHE	PET	PORSCHE
gt3-2	07	8	17	817-50		207					

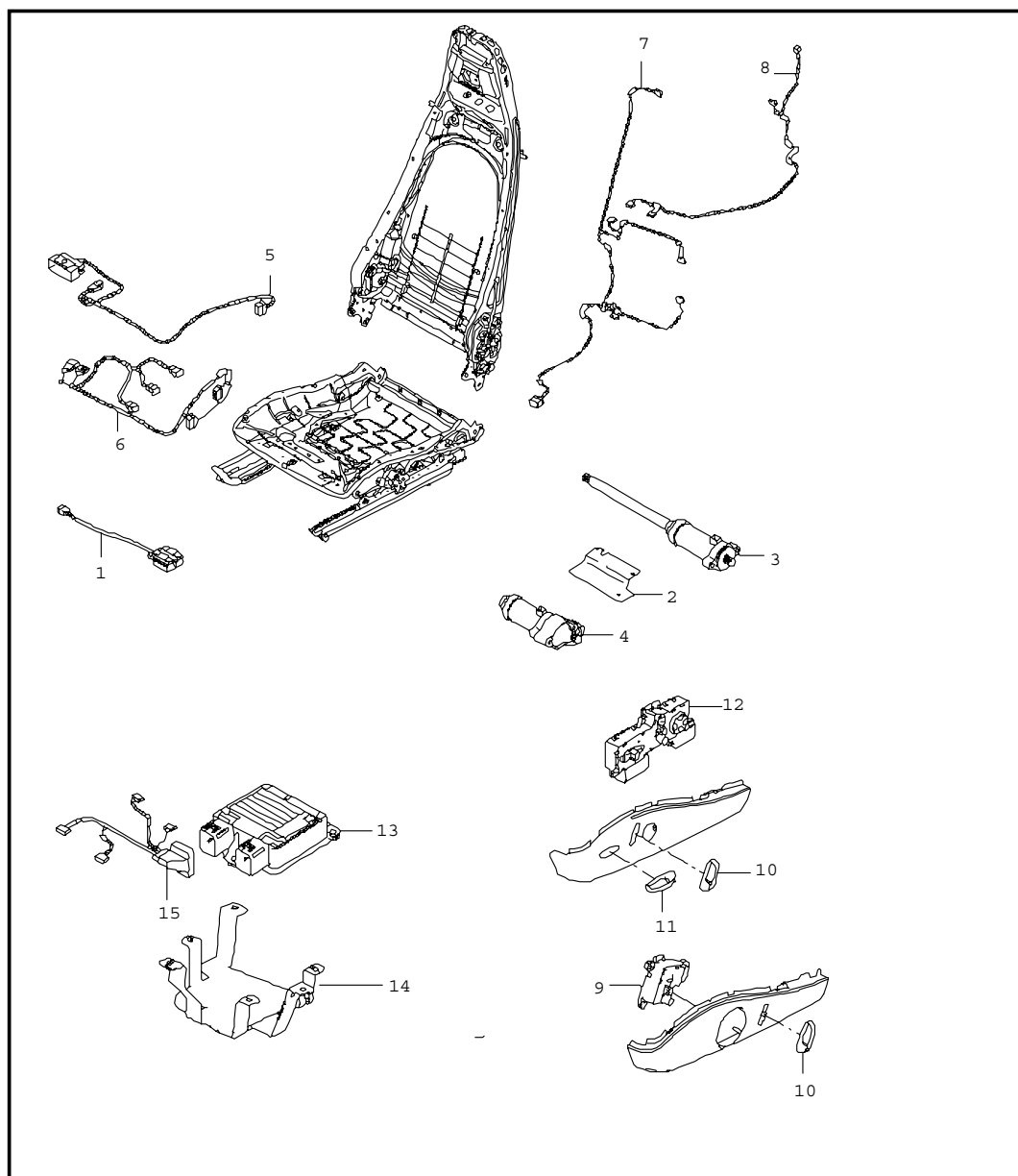
Pos	Part Number	Name	Remarks	Qty	Model	Pos	Part Number	Name	Remarks	Qty	Model
7	997 521 607 00	cup fire extinguisher		1	I509						
8	997 521 881 00	support cup fire extinguisher		1	I509						
9	997 521 851 00	restraining strap fire extinguisher		1	I509						
10	997 521 841 00	reinforcement front		1	I509						
11	997 521 843 00	reinforcement rear		1							
12	997 521 427 01	cover	/L	1	I376/378/560						
	01C	satin black									
(12)	997 521 426 01	cover sensor weight	/R	1	I376/378/560						
	01C	satin black									
13	999 141 047 01	torx screw mount seat rail		4							
		- - - E N D - - -									

Model	Year	MG	SG	Illustration	Restrictions	Update	16:59	25.10.2006	PORSCHE	PET	PORSCHE
gt3-2	07	8	17	817-53		207					



Pos	Part Number	Name	Remarks	Qty	Model
		cushion carrier sports seat frame seat cushion	07-		GT3
1	997 521 547 00	frame inner left	/L	1	I376/378
(1)	997 521 548 00	frame inner right	/R	1	I375/377
2	997 521 545 00	frame outer left	/L	1	I375/377
(2)	997 521 546 00	frame outer right	/R	1	I376/378
(2)	997 521 546 01	frame outer advancedairbag	/R	1	I376/378/560
3	997 521 519 00	supporting plate	/L	1	I377/378
(3)	997 521 520 00	supporting plate seat cushion	/R	1	I377/378
		- - - E N D - - -			

Model	Year	MG	SG	Illustration	Restrictions	Update	16:59	25.10.2006	PORSCHE	PET	PORSCHE
gt3-2	07	8	17	817-60		207					

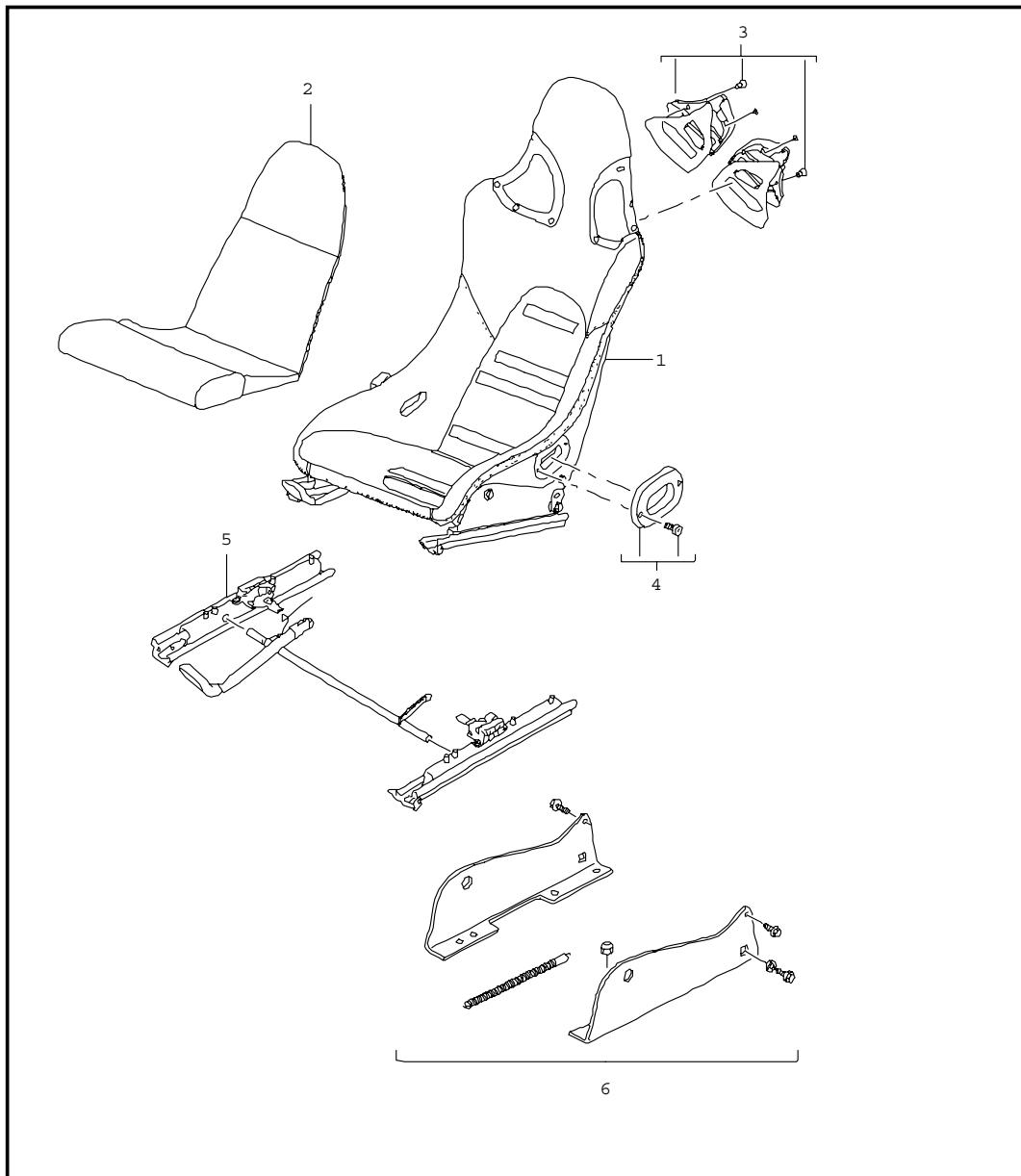


Pos	Part Number	Name	Remarks	Qty	Model
		harnesses switch control units sports seat	07-		GT3
1	997 613 725 00	switch		1	I377
	V05	galvano silver			
(1)	997 613 726 00	switch seat adjuster		1	I378
	V05	galvano silver			
2	997 521 343 00	support electric motor		1	I377/378
3	997 624 322 00	electric motor seat adjuster lengthways height adjustment without memory		1	I377/378
4	997 624 323 00	electric motor seat adjuster tilt without memory		1	I377/378
5	997 612 682 01	wiring harness trim for switch		1	I375/376
6	997 612 691 01	wiring harness trim for switch without memory		1	I377/378
7	997 612 689 00	wiring harness lumbar support without memory		1	I377/378
8	997 612 685 01	wiring harness backrest without memory		1	I377
(8)	997 612 686 01	wiring harness backrest without memory		1	I378
9	997 613 713 00	switch	/L	1	I375
(9)	997 613 714 00	switch seat adjuster manually adjustable	/R	1	I376

Model	Year	MG	SG	Illustration	Restrictions	Update	16:59	25.10.2006	PORSCHE	PET	PORSCHE
gt3-2	07	8	17	817-60		207					

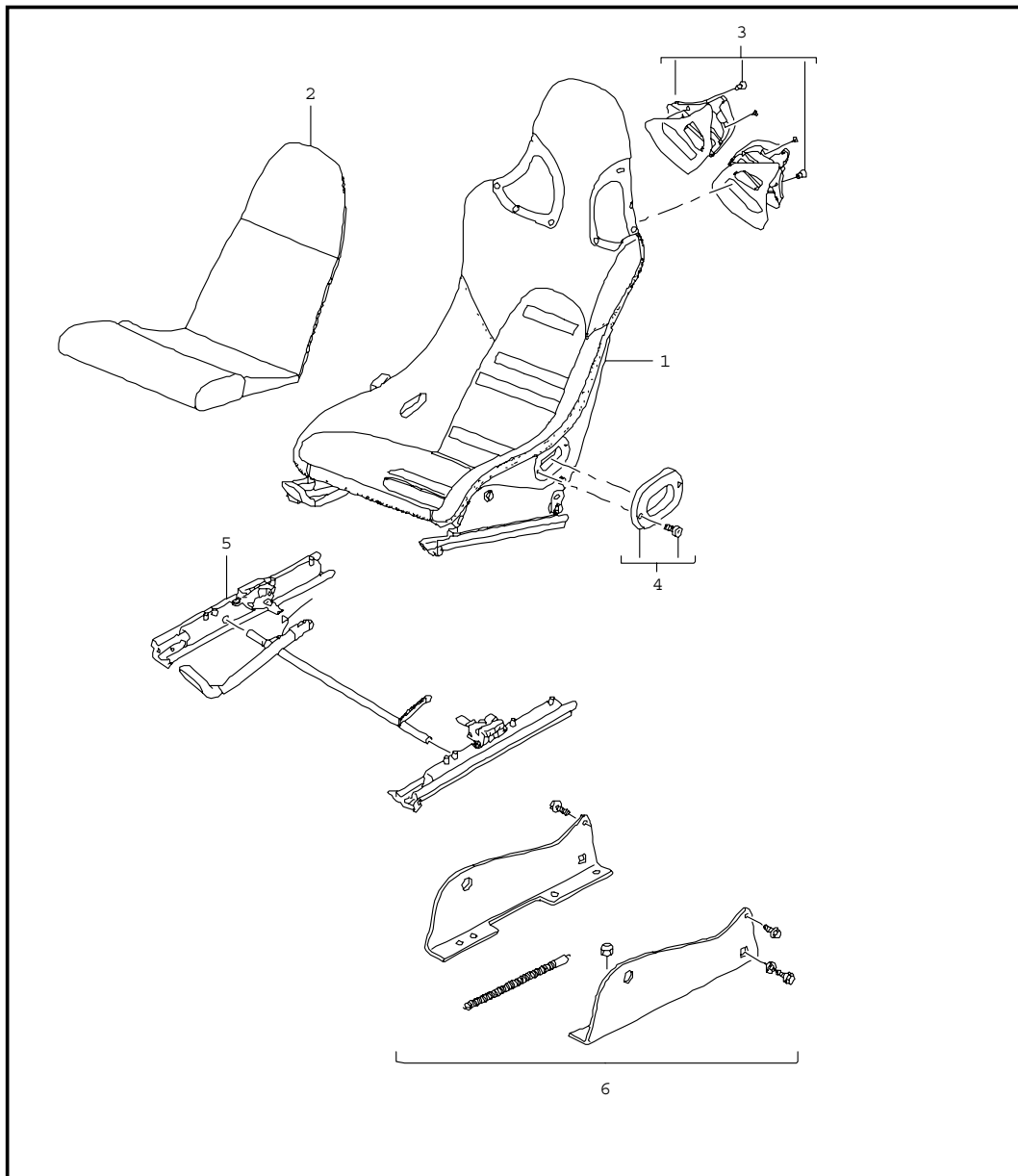
Pos	Part Number	Name	Remarks	Qty	Model	Pos	Part Number	Name	Remarks	Qty	Model
10	997 521 631 01	control button backrest	/L/R	1	I375/376 I377/378						
	V05	galvano silver									
11	997 521 633 02	control button seat cushion		1	I377/378						
	V05	galvano silver									
12	997 613 717 01	switch		1	I377						
	V05	galvano silver									
(12)	997 613 718 01	switch seat adjuster		1	I378						
	V05	galvano silver									
13	997 618 233 05	control unit seat occupancy detection		1	I376/378/560						
14	997 521 646 00	support control unit seat occupancy detection		1	I376/378/560						
15	997 612 688 00	wiring harness seat occupancy detection		1	I376/378/560						
		- - - E N D - - -									

Model	Year	MG	SG	Illustration	Restrictions	Update	16:59	25.10.2006	PORSCHE	PET	PORSCHE
gt3-2	07	8	17	817-90		207					



Pos	Part Number	Name	Remarks	Qty	Model
		bucket seat cover pearl velour	07-		GT3
1	K 997 521 401 01	cup	/LL/L	1	I384/990/098
(1)	K 997 521 401 01	cup	/RL/L	1	I384/990/099
(1)	K 997 521 402 01	cup	/RL/L	1	I384/951/099
(1)	K 997 521 402 01	cup	/LL/R	1	I385/990/098
(1)	K 997 521 402 01	cup	/RL/R	1	I385/990/099
2	K 997 521 403 01	set cushion pearl velour		1	I384/385/990 I003
3	K 997 521 405 90	set cover support for seatbelt upper		1	
4	996 521 907 90	parts kit guide belt lower		1	
5	K 997 521 429 00	seat rail	/L	1	
(5)	K 997 521 430 00	seat rail set	/R	1	
(6)	K 997 521 423 00	adapter set		1	
7	K 999 141 047 01	torx screw mount seat rail		4	
- - - E N D - - -					

Model	Year	MG	SG	Illustration	Restrictions	Update	16:59	25.10.2006	PORSCHE	PET	PORSCHE
gt3-2	07	8	17	817-95		207					



Pos	Part Number	Name	Remarks	Qty	Model
		bucket seat cover leather	07-		GT3
1	K 997 521 401 00	cup partial leather	/LL/L	1	
		8YR black			
		D11 dark grey/natural			
(1)	K 997 521 401 00	cup partial leather	/RL/L	1	
		8YR black			
		D11 dark grey/natural			
(1)	K 997 521 402 00	cup partial leather	/LL/R	1	
		8YR black			
		D11 dark grey/natural			
(1)	K 997 521 402 00	cup partial leather	/RL/R	1	
		8YR black			
		D11 dark grey/natural			
2	K 997 521 403 00	set cushion leather		1	I951
		A15 black			
3	K 997 521 405 90	set cover support for seatbelt upper		1	
4	996 521 907 90	parts kit guide belt lower		1	
5	K 997 521 429 00	seat rail	/L	1	
(5)	K 997 521 430 00	seat rail set	/R	1	
6	K 997 521 423 00	adapter set		1	

Model	Year	MG	SG	Illustration	Restrictions	Update						
gt3-2	07	8	17	817-95		207	16:59	25.10.2006	PORSCHE	PET	PORSCHE	

Pos	Part Number	Name	Remarks	Qty	Model	Pos	Part Number	Name	Remarks	Qty	Model
7	K 999 141 047 01	torx screw mount seat rail - - - E N D - - -		4							

PORSCHE

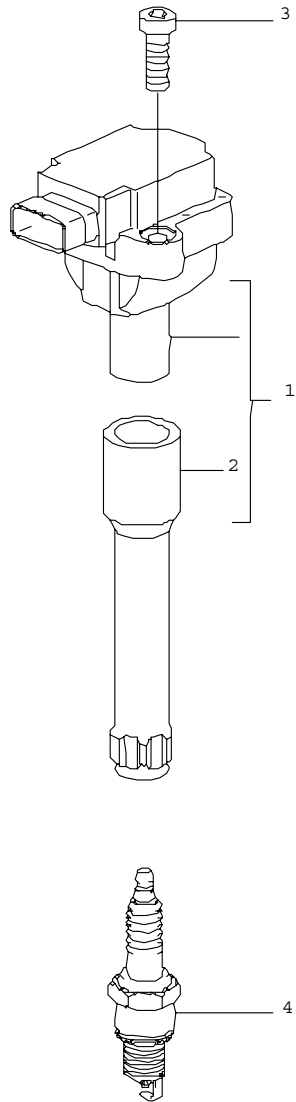
PET

PORSCHE

Model	Year	MG	SG	Illustration	Restrictions	Update		
gt3-2	07	8	98	898-00		207	16:59	25.10.2006

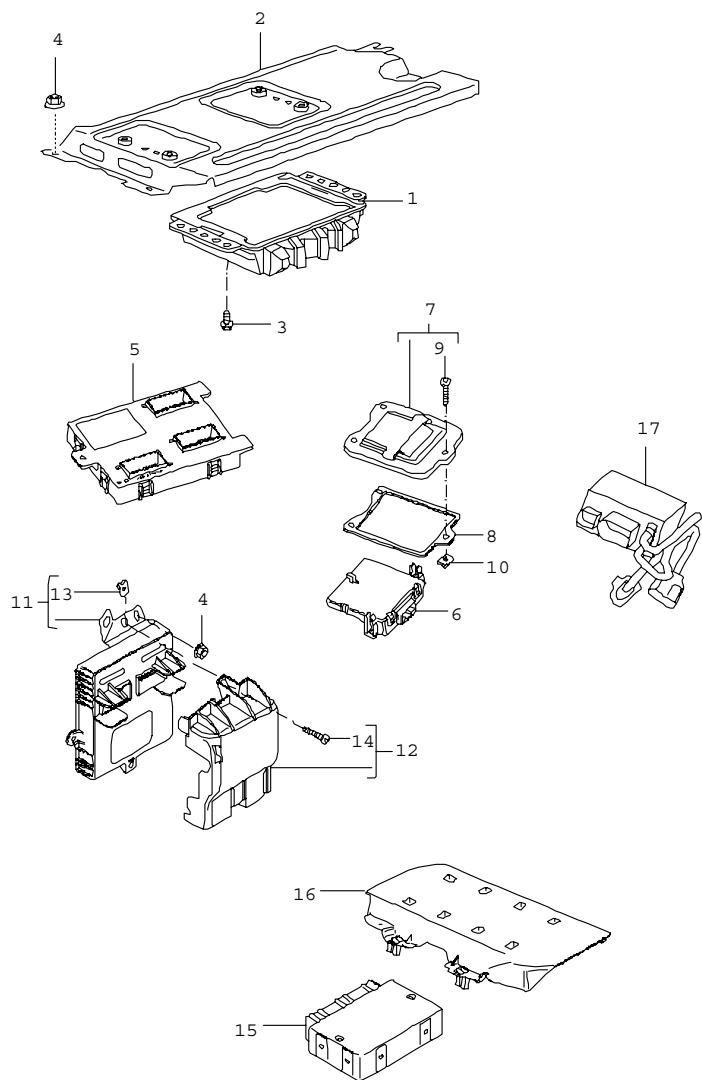
Pos	Part Number	Name	Remarks	Qty	Model
		repair kits			
		set of locks			
>>	> 997 538 011 00	set of locks		1	I 098
>>	> 997 538 011 01	set of locks		1	I 099
		- - - E N D - - -			

Model	Year	MG	SG	Illustration	Restrictions	Update	17:00	25.10.2006	PORSCHE	PET	PORSCHE
gt3-2	07	9	01	901-00		207					



Pos	Part Number	Name	Remarks	Qty	Model
		ignition system			
1	996 602 104 00	ignition coil		6	
2	996 602 105 00	spark plug socket		6	
3	900 387 008 01	pan-head screw M 6 X 25		12	
4	999 170 129 90	spark plug Y 5DDC		6	M 97.76
		- - - E N D - - -			

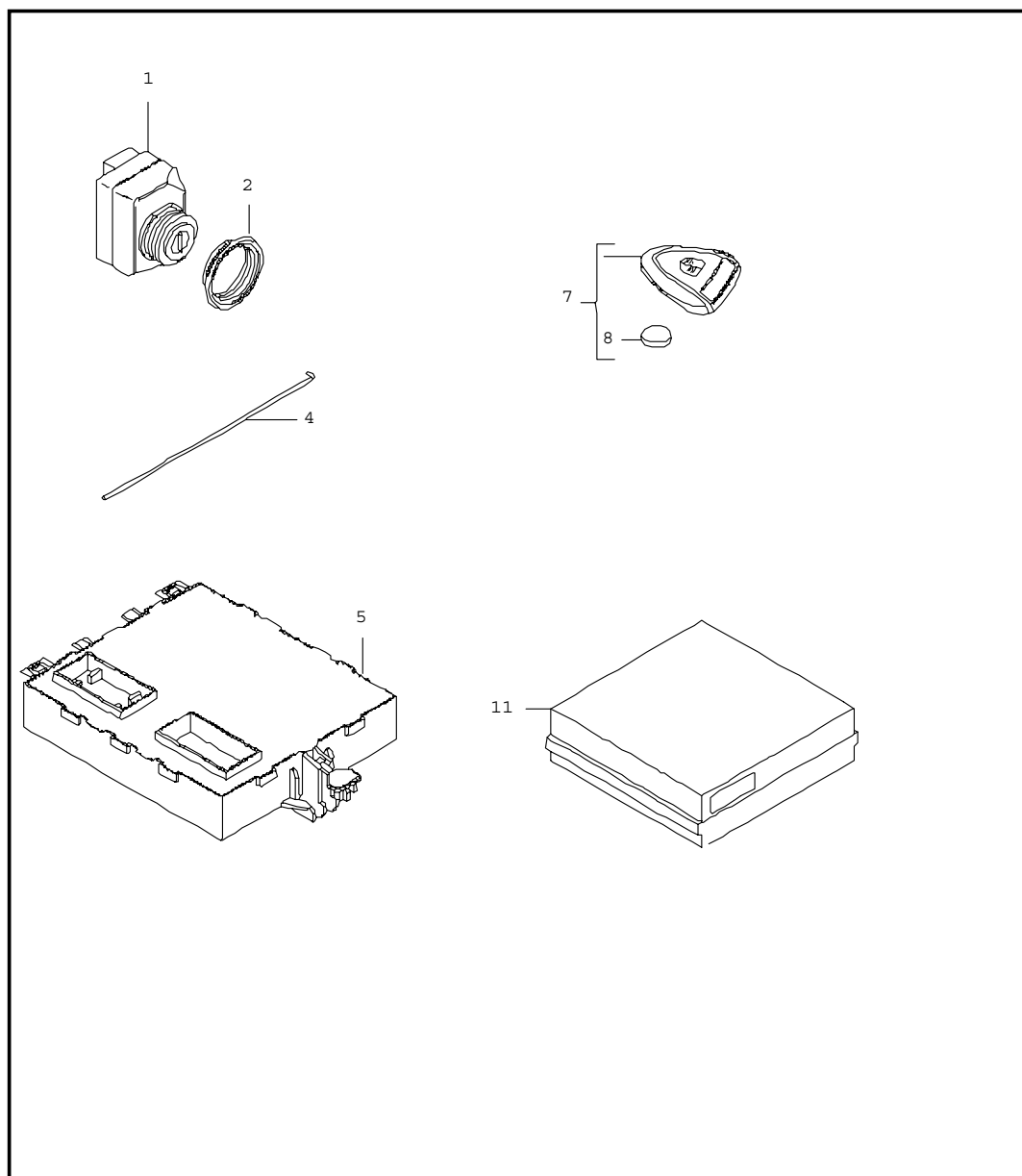
Model	Year	MG	SG	Illustration	Restrictions	Update	17:00	25.10.2006	PORSCHE	PET	PORSCHE
gt3-2	07	9	01	901-03		207					



Pos	Part Number	Name	Remarks	Qty	Model
		control units			
1	997 618 603 03	control unit - dme -		1	
2	996 618 129 01	support control unit - dme -		1	
3	900 378 036 09	hexagon-head bolt M 6 X 12		4	
4	999 084 629 09	hexagon nut M 6		3	
5	997 610 102 06	control unit vehicle electrical system		1	
6	997 610 107 03	control unit gateway		1	
7	997 572 419 02	cover		1	
8	997 572 221 00	gasket		1	
9	900 143 094 09	tapping screw ST 4,8 X 19		3	
10	999 591 855 02	speed nut ST 4,8		3	
11	997 610 106 11	control unit front trunk		1	
11	997 610 105 11	control unit front trunk		1	I601
(12)	997 551 736 01	cover		1	
13	999 507 462 09	speed nut 4,8		1	
14	999 073 061 02	tapping screw 4,8 X 16		1	
15	997 618 260 06	control unit rear end		1	
16	997 618 371 01	support		1	
17	997 618 436 90	control unit cooling air control		1	
		- - - E N D - - -			

Model	Year	MG	SG	Illustration	Restrictions	Update	17:00	25.10.2006	PORSCHE	PET	PORSCHE
gt3-2	07	9	01	901-04		207					

Pos	Part Number	Name	Remarks	Qty	Model
		control units ignition starter switch PORSCHE ACCES SYSTEM			
1	997 618 159 03	control unit ignition starter switch		1	
2	997 618 759 00	nut		1	
-	997 618 361 00	cover release remote control		1	
4	997 618 761 00	emergency operation release ignition starter switch		1	
5	997 618 171 12	control unit PORSCHE ACCESS SYSTEM information available		1	I534
5	997 618 172 12	control unit PORSCHE ACCESS SYSTEM information available		1	I535
-	997 612 053 00	connecting line antenna booster control unit POS. 5	/LL	1	I098/534
-	997 612 054 00	connecting line antenna booster control unit POS. 5 information available	/RL	1	I099/534
-	997 612 053 01	connecting line antenna booster control unit POS. 5	/LL	1	I098/535
-	997 612 054 01	connecting line antenna booster control unit POS. 5 information available	/RL	1	I099/535
7	997 637 244 46	remote control		1	I534
7	997 637 244 47	remote control		1	I535
7	997 637 244 48	remote control		1	(J) I535
8	999 611 108 00	battery		1	
11	997 618 210 01	sensor interior monitoring		1	

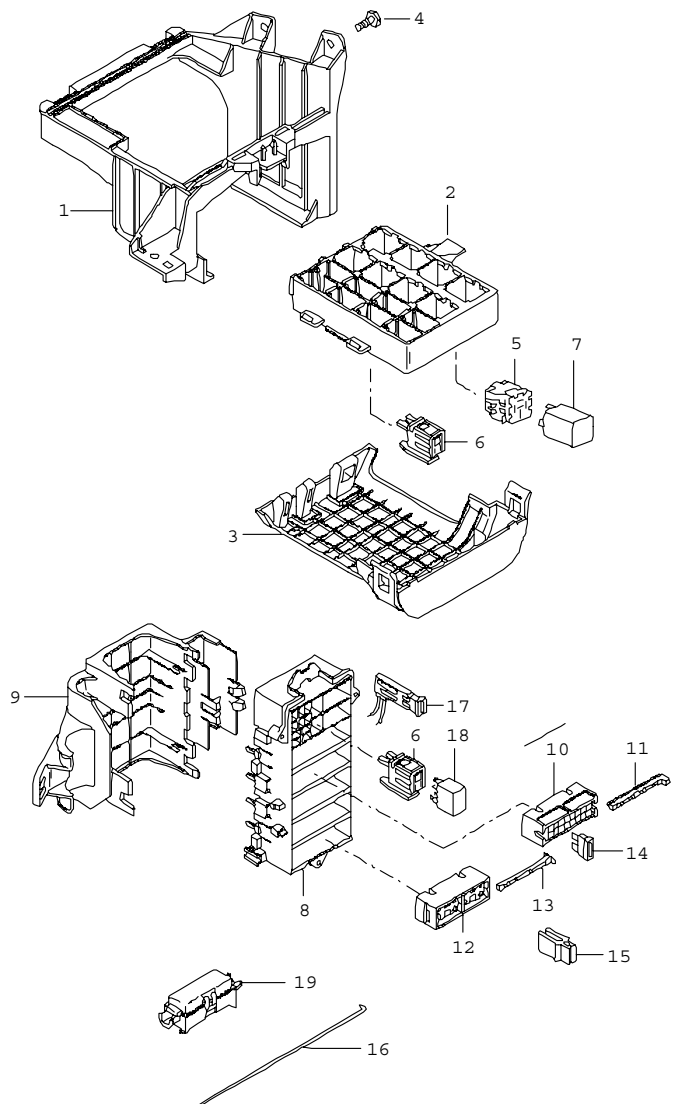


Model	Year	MG	SG	Illustration	Restrictions	Update					
gt3-2	07	9	01	901-04		207	17:00	25.10.2006	PORSCHE	PET	PORSCHE

Pos	Part Number	Name	Remarks	Qty	Model	Pos	Part Number	Name	Remarks	Qty	Model
		alarm siren tilt sensor see group 9/03/00 - - - E N D - - -			I536 I536						

Model	Year	MG	SG	Illustration	Restrictions	Update	17:00	25.10.2006	PORSCHE	PET	PORSCHE
gt3-2	07	9	02	902-00		207					

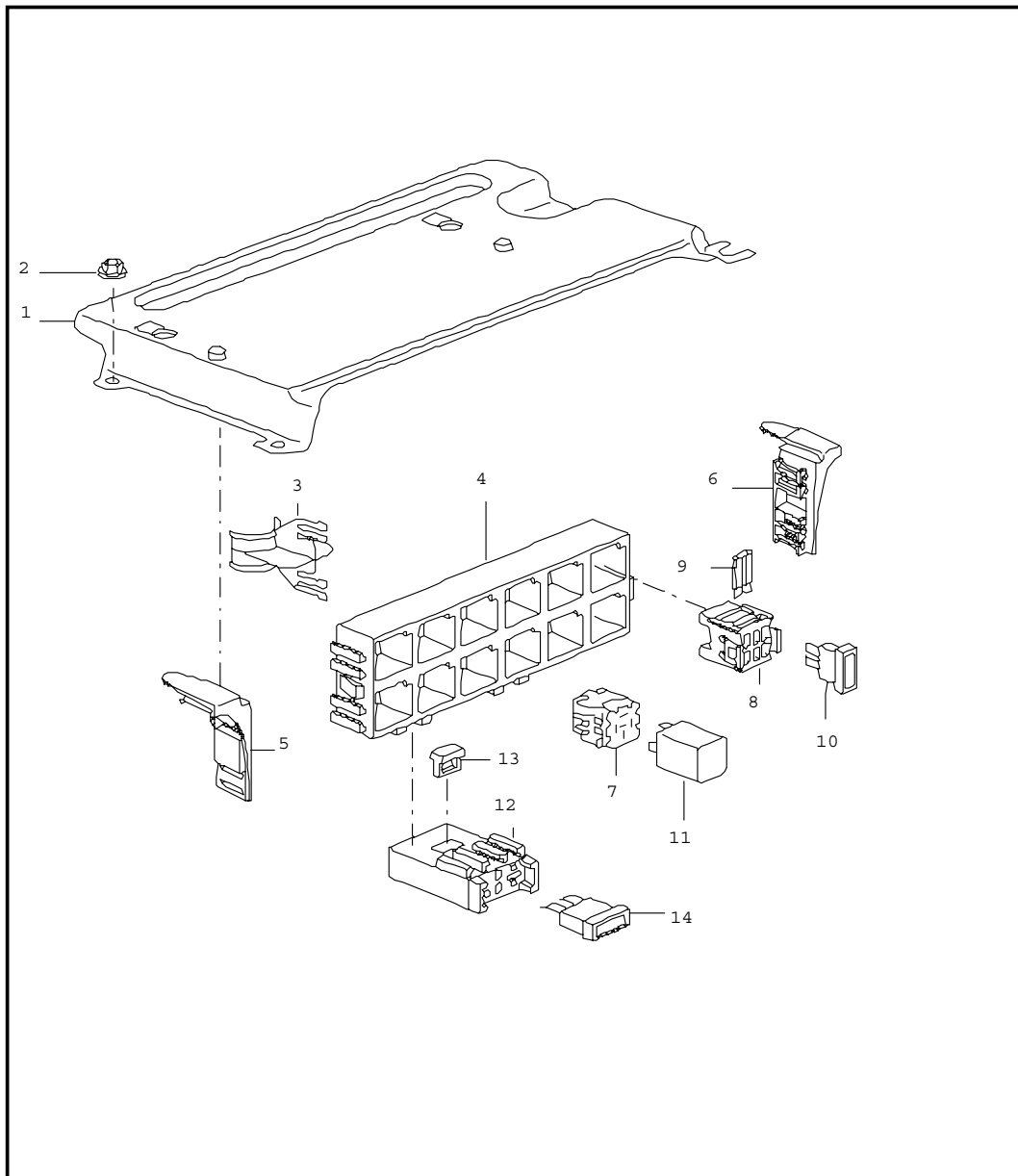
Pos	Part Number	Name	Remarks	Qty	Model
		central electrical system dashboard			
1	997 610 117 01	support	/LL	1	I098
(1)	997 610 118 00	support	/RL	1	I099
2	997 610 110 01	relay carrier support frame		1	
3	997 610 112 00	cover support frame		1	
4	900 378 155 09	hexagon-head bolt M 6 X 16 ASP		2	
(4)	900 377 010 09	hexagon nut M 6		1	
5	928 610 511 00	relay carrier		X	
6	999 650 538 40	relay carrier		X	
7	-	relay			
S 4	999 657 010 90	relay KL. X		1	
S 6	999 657 007 90	relay KL. 86S		1	
S 8	999 657 007 90	relay fuel pump		1	
S 11	999 657 009 90	relay - dme -		1	
S 12	999 657 009 90	relay heating		1	
S 14	999 657 009 90	relay headlight washer system		1	I288
S 15	999 657 009 90	relay starter		1	
S 16	999 657 009 90	relay KL. 15		1	
8	997 610 340 00	bracket		1	
9	997 610 341 00	cover		1	
10	999 650 209 40	fuse holder		4	
11	999 650 210 40	slide		4	
12	999 650 750 40	fuse holder		1	



Model	Year	MG	SG	Illustration	Restrictions	Update	17:00	25.10.2006	PORSCHE	PET	PORSCHE
gt3-2	07	9	02	902-00		207					

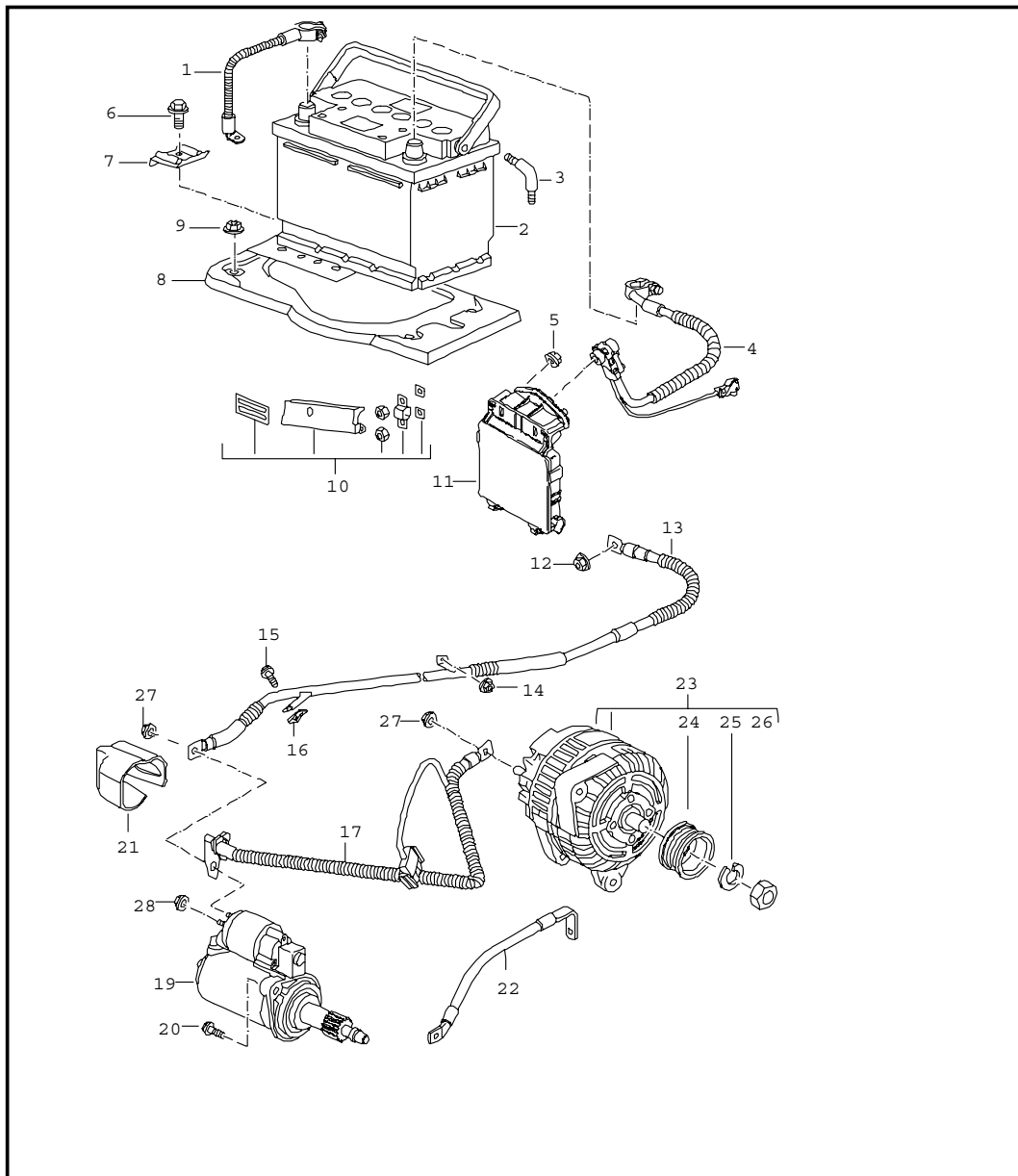
Pos	Part Number	Name	Remarks	Qty	Model	Pos	Part Number	Name	Remarks	Qty	Model
13	999 650 749 40	slide		1				- - - E N D - - -			
14	999 607 082 00	fuse 5 A		X							
(14)	999 607 083 00	fuse 7 , 5 A		X							
(14)	999 607 084 00	fuse 10 A		X							
(14)	999 607 085 00	fuse 15 A		X							
(14)	999 607 087 00	fuse 25 A		X							
(14)	999 607 088 00	fuse 30 A		X							
(14)	999 607 072 00	fuse 30 A large		X							
(14)	999 607 073 00	fuse 40 A large		X							
15	999 107 300 40	tool		X							
-	997 610 195 07	indication sticker fuse		X							
16	997 618 761 00	emergency operation release ignition starter switch emergency operation cover		1							
17	996 610 240 00	terminal clamp		1							
18	999 657 010 90	relay		1							
19	997 610 915 00	fuse holder with fuse 80 A for cooling air control		1							
-	-	cover for housing fuse see group 8 / 07 / 02		X							

Model	Year	MG	SG	Illustration	Restrictions	Update	17:00	25.10.2006	PORSCHE	PET	PORSCHE
gt3-2	07	9	02	902-01		207					



Pos	Part Number	Name	Remarks	Qty	Model
		central electrical system rear end			
(1)	996 610 229 03	plate		1	
2	999 084 629 09	hexagon nut M 6		2	
3	996 610 112 00	cable holder		1	
4	996 610 111 00	relay carrier support frame		X	
5	987 610 118 00	support	/R	1	
6	987 610 117 00	support	/L	1	
7	928 610 511 00	relay carrier		X	
8	999 650 747 40	fuse holder		1	
9	999 650 748 40	locking device		1	
10	999 607 083 00	fuse 7,5 A		X	
10	999 607 085 00	fuse 15 A		X	
11	-	relay			
S 1	999 657 009 90	relay rear window heating		1	
S 3	964 615 215 00	relay air conditioner		1	I573
S 8	999 657 011 90	relay blower engine compartment		1	
S 9	999 657 008 90	relay secondary pump		1	I661
12	999 650 193 40	fuse holder		3	
13	999 650 371 40	locking device		3	
14	999 607 073 00	fuse 40 A large		3	
		- - - E N D - - -			

Model	Year	MG	SG	Illustration	Restrictions	Update	17:01	25.10.2006	PORSCHE	PET	PORSCHE
gt3-2	07	9	02	902-05		207					



Pos	Part Number	Name	Remarks	Qty	Model
		battery power distributor starter generator battery main switch			
1	997 611 090 00	ground strap	/LL	1	I098
(1)	997 611 091 00	ground strap when required order also:	/RL	1	I099
-	900 377 010 09	hexagon nut M 6		1	
2	999 611 060 20	battery 60 AH		1	
2	999 611 070 20	battery 70 AH		1	
2	999 611 080 20	battery 80 AH		1	
3	893 915 507	angled pipe		1	
4	997 612 993 00	repair kit wiring harness battery power distributor	/LL	1	I098
(4)	997 612 995 00	repair kit wiring harness battery power distributor	/RL	1	I099
5	900 380 005 09	hexagon nut VM 8		2	
6	900 378 017 09	hexagon-head bolt M 8 X 20		1	
7	996 611 209 00	rail		1	
8	996 504 151 02	carrier plate for battery		1	
-	996 504 622 01	gasket carrier plate for battery		1	
9	999 084 630 09	hexagon nut VM 8 SB		4	
10	997 610 912 00	repair kit replacement fuse element comprising:		1	
-	-	fuse element 50 AMPERE		1	

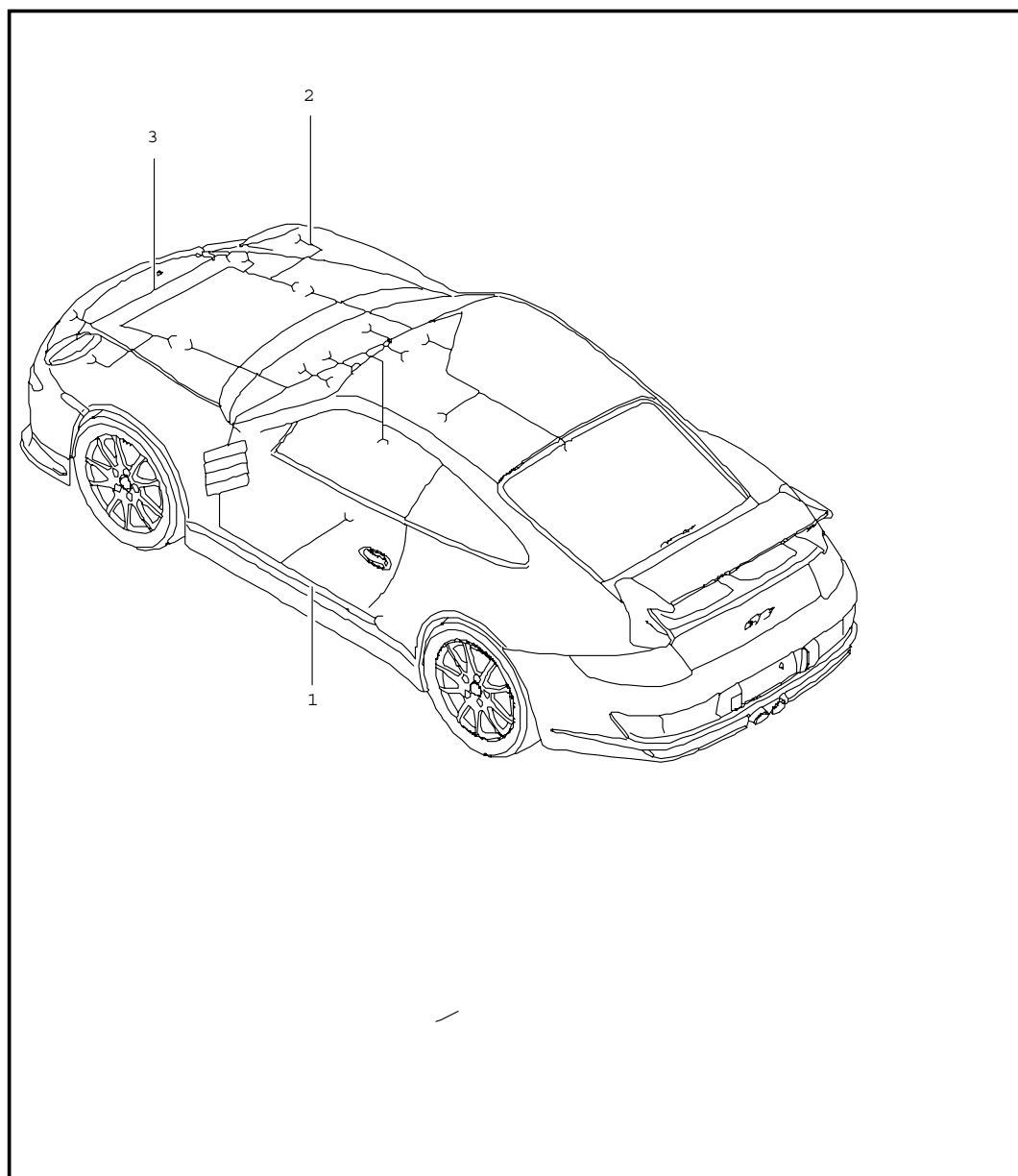
Model	Year	MG	SG	Illustration	Restrictions	Update	17:01	25.10.2006	PORSCHE	PET	PORSCHE
gt3-2	07	9	02	902-05		207					

Pos	Part Number	Name	Remarks	Qty	Model	Pos	Part Number	Name	Remarks	Qty	Model
-	-	fuse element 80 AMPERE		1		13	997 612 092 01	cable power distributor starter	/LL	1	I098
-	-	hexagon nut M 5		4		(13)	997 612 098 00	cable power distributor starter	/RL	1	I099
-	-	square washer		4							
-	-	cover blue		1		14	999 084 629 09	hexagon nut M 6		1	
-	-	seal label red		1		15	900 075 497 02	hexagon-head bolt M 5 X 10		1	
(10)	997 610 913 00	repair kit replacement fuse element comprising:		1		16	999 507 702 02	speed nut M 5		1	
-	-	fuse element 150 AMPERE		1		17	997 607 031 92	wiring harness starter generator		1	
-	-	hexagon nut M 8		2		19	996 604 107 00	starter		1	
-	-	square washer		2		20	900 385 097 01	torx screw BM 10 X 35		2	
-	-	cover blue		1		21	996 604 118 00	protection cap		1	
-	-	seal label red		1		22	996 607 034 01	ground strap engine body		1	
11	997 610 911 00	repair kit replacement power distributor comprising:		1		23	997 603 012 04	generator with pulley without free wheel lock		1	
-	-	power distributor without fuse element		1		24	996 603 151 55	pulley without free wheel lock		1	
-	-	hexagon nut M 5		8		25	N 012 016 1	lock ring B 16		1	
-	-	hexagon nut M 8		3		26	900 034 013 02	hexagon nut M 16 X 1,5		1	
-	-	seal label red when required order also: POS. 12		1		-	996 603 113 00	protection cap mounting parts generator		1	
12	900 084 123 02	hexagon nut M 8		1		-	900 385 004 01	torx screw BM 10 X 60		1	
						-	900 385 124 01	torx screw BM 10 X 110		1	

Model	Year	MG	SG	Illustration	Restrictions	Update	17:01	25.10.2006	PORSCHE	PET	PORSCHE
gt3-2	07	9	02	902-05		207					

Pos	Part Number	Name	Remarks	Qty	Model	Pos	Part Number	Name	Remarks	Qty	Model
27	900 377 003 01	hexagon nut M 8		2							
28	900 377 010 02	hexagon nut M 6		1							
- - - E N D - - -											

Model	Year	MG	SG	Illustration	Restrictions	Update	17:01	25.10.2006	PORSCHE	PET	PORSCHE
gt3-2	07	9	02	902-10		207					

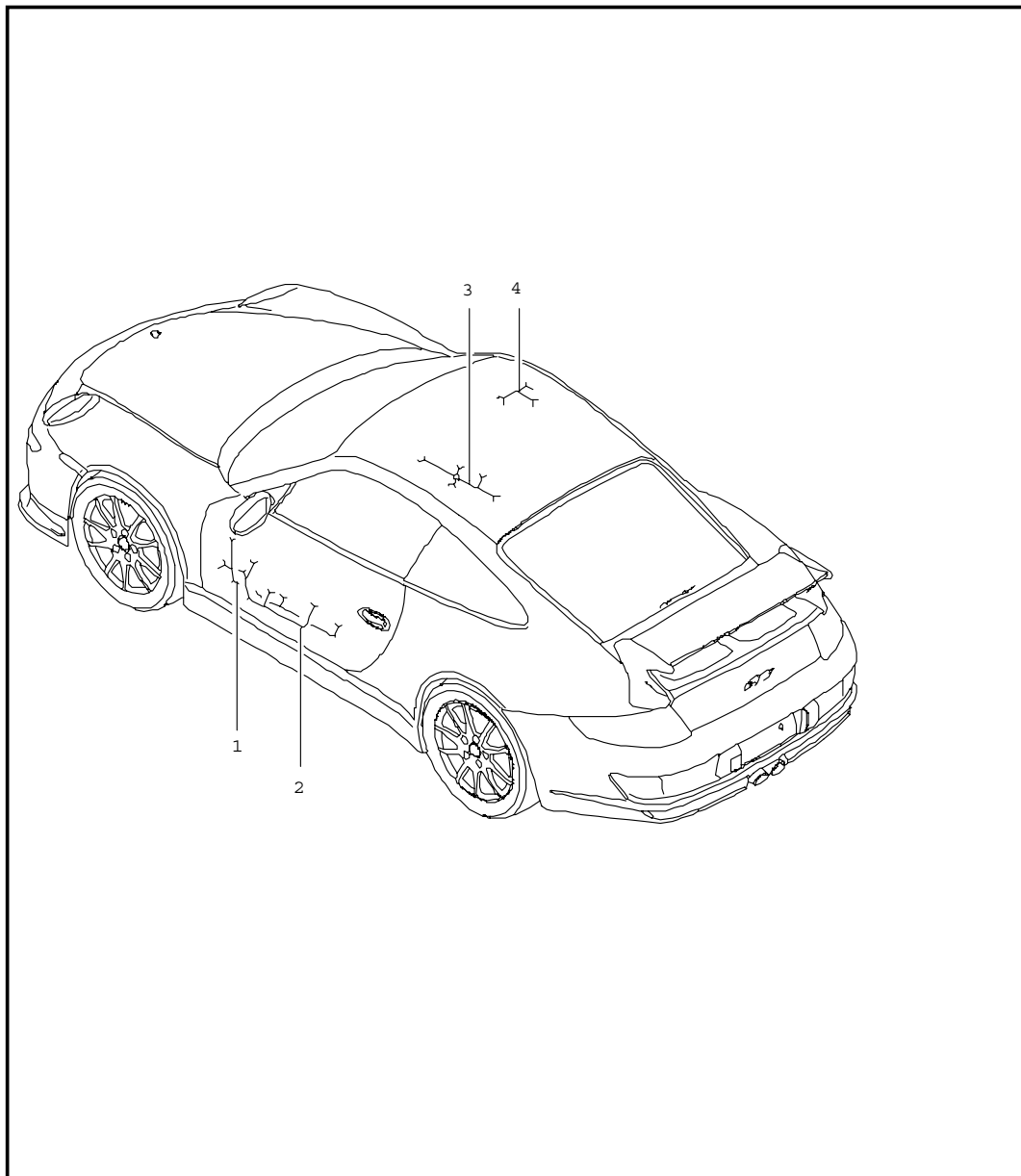


Pos	Part Number	Name	Remarks	Qty	Model
		harnesses passenger compartment front trunk lining front airbag seat-belt tensioner repair kits shock absorber anti-lock brake system brake pad wear indicator front axle			I475
1	997 612 903 00	wiring harness passenger compartment vehicle identification no. indicate		1	
2	997 612 520 70	wiring harness front trunk		1	
(2)	997 612 521 70	wiring harness front trunk		1	I601
3	997 612 501 01	wiring harness lining front		1	
-	997 612 781 00	wiring harness airbag passenger's side setting 1		1	
-	997 612 783 00	wiring harness airbag passenger's side setting2		1	
-	997 612 992 00	wiring harness control unit airbag connection point door		2	
-	997 612 793 01	wiring harness seat-belt tensioner		2	
-	997 612 950 70	repair kit wiring harness shock absorber		2	I475
		repair kit wiring harness anti-lock brake system brake pad wear indicator front axle			

Model	Year	MG	SG	Illustration	Restrictions	Update	17:01	25.10.2006	PORSCHE	PET	PORSCHE
gt3-2	07	9	02	902-10		207					

Pos	Part Number	Name	Remarks	Qty	Model	Pos	Part Number	Name	Remarks	Qty	Model
-	997 612 965 70	repair kit wiring harness	/V/L	1							
-	997 612 964 70	repair kit wiring harness	/V/R	1							
		repair kit wiring harness rear axle see group 9/02/20									
		- - - E N D - - -									

Model	Year	MG	SG	Illustration	Restrictions	Update	17:01	25.10.2006	PORSCHE	PET	PORSCHE
gt3-2	07	9	02	902-15		207					

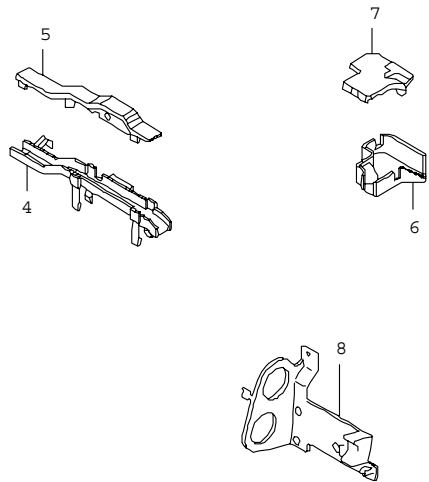
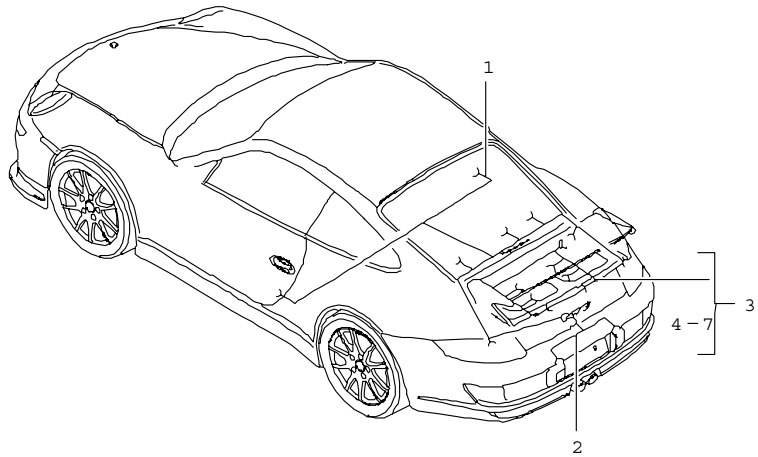


Pos	Part Number	Name	Remarks	Qty	Model
		harnesses doors airbag centre console glove compartment			
1	997 612 642 05	wiring harness wiper frame driver's door F >>997S7 90076	/LL	1	I098
(1)	997 612 644 55	wiring harness wiper frame driver's door F >>997S7 90076	/RL	1	I099
1 P	997 612 642 07	wiring harness wiper frame driver's door F 997S7 90077>>	/LL	1	I098
(1) P	997 612 644 57	wiring harness wiper frame driver's door F 997S7 90077>>	/RL	1	I099
(1)	997 612 643 55	wiring harness wiper frame passenger's door F >>997S7 90076	/LL	1	I098
(1)	997 612 645 05	wiring harness wiper frame passenger's door F >>997S7 90076	/RL	1	I099
(1) P	997 612 643 57	wiring harness wiper frame passenger's door F 997S7 90077>>	/LL	1	I098
(1) P	997 612 645 07	wiring harness wiper frame passenger's door F 997S7 90077>>	/RL	1	I099
-	997 612 780 16	wiring harness airbag		2	
2	997 612 647 05	wiring harness door panel driver's door F >>997S7 90076	/LL	1	I098
(2)	997 612 650 05	wiring harness door panel driver's door F >>997S7 90076	/RL	1	I099

Model	Year	MG	SG	Illustration	Restrictions	Update	17:01	25.10.2006	PORSCHE	PET	PORSCHE
gt3-2	07	9	02	902-15		207					

Pos	Part Number	Name	Remarks	Qty	Model	Pos	Part Number	Name	Remarks	Qty	Model
2	N 997 612 647 07	wiring harness door panel driver's door F 997S7 90077>>	/LL	1	I098						
(2)	N 997 612 650 07	wiring harness door panel driver's door F 997S7 90077>>	/RL	1	I099						
(2)	997 612 648 05	wiring harness door panel passenger's door F >>997S7 90076	/LL	1	I098						
(2)	997 612 649 05	wiring harness door panel passenger's door F >>997S7 90076	/RL	1	I099						
(2)	P 997 612 648 07	wiring harness door panel passenger's door F 997S7 90077>>	/LL	1	I098						
(2)	P 997 612 649 07	wiring harness door panel passenger's door F 997S7 90077>>	/RL	1	I099						
-	477 971 951	protective tube		2	I384/385						
3	997 612 652 75	wiring harness centre console		1							
4	997 612 651 00	wiring harness glove compartment		1							
		- - - E N D - - -									

Model	Year	MG	SG	Illustration	Restrictions	Update	17:01	25.10.2006	PORSCHE	PET	PORSCHE
gt3-2	07	9	02	902-20		207					



Pos	Part Number	Name	Remarks	Qty	Model
		harnesses rear end cover rear license plate light engine repair kits shock absorber anti-lock brake system brake pad wear indicator rear axle			I475
1	997 612 904 00	wiring harness rear end vehicle identification no. indicate		1	
-	997 612 670 71	wiring harness cover rear		1	
2	997 612 660 00	wiring harness license plate light		1	
3	997 607 014 92	wiring harness engine		1	
4	997 607 141 00	cable guide cyl. 1 - 3		1	
5	997 607 151 00	cover cable guide cyl. 1 - 3		1	
6	997 607 142 90	cable guide cyl. 4 - 6		1	
7	997 607 152 90	cover cable guide cyl. 4 - 6		1	
8	996 607 101 02	support connection point wiring harness engine		1	
-	997 612 950 70	repair kit wiring harness shock absorber		2	I475
-	997 612 967 00	repair kit wiring harness	/H/L	1	

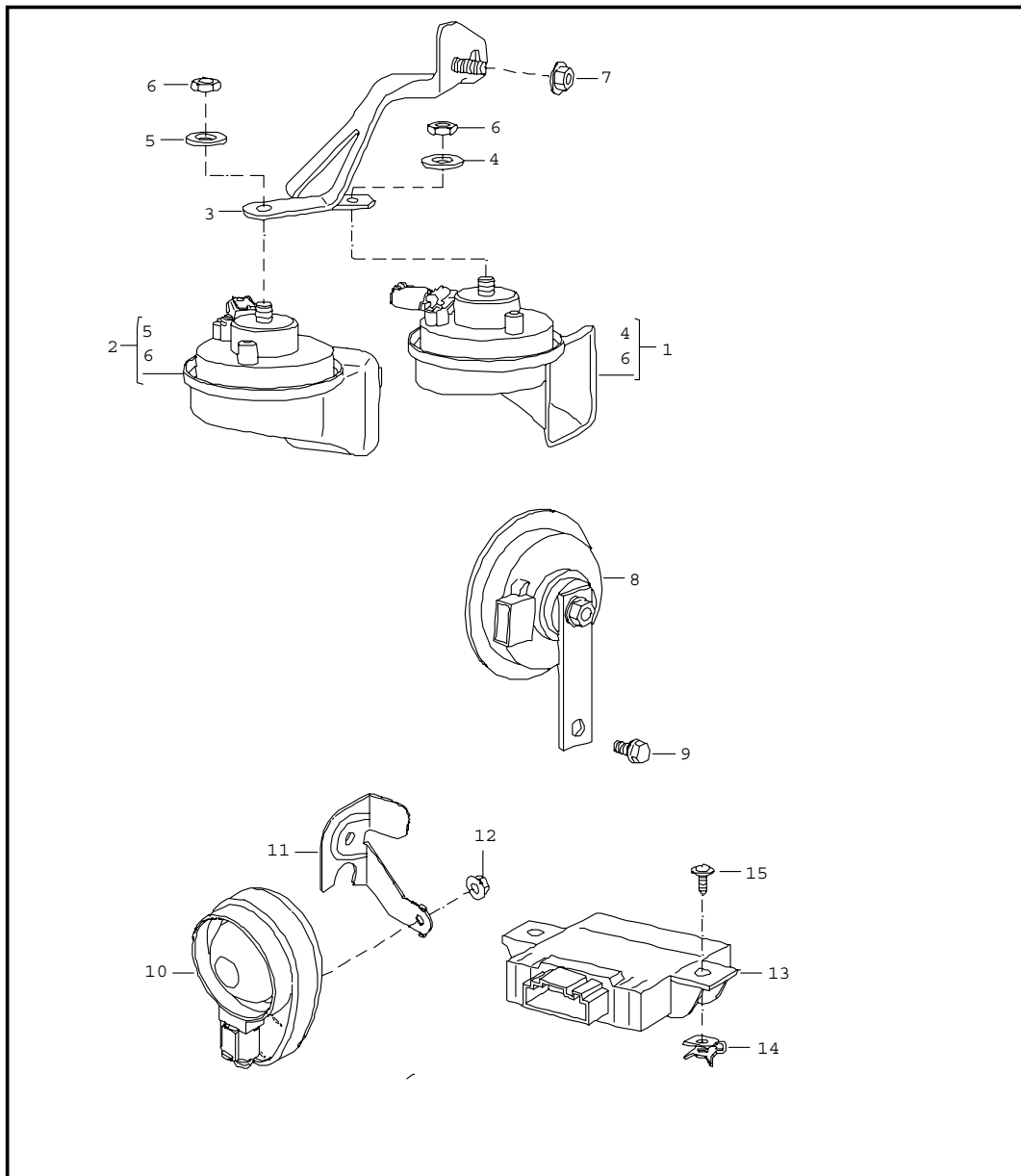
Model	Year	MG	SG	Illustration	Restrictions	Update	17:01	25.10.2006	PORSCHE	PET	PORSCHE
gt3-2	07	9	02	902-20		207					

Pos	Part Number	Name	Remarks	Qty	Model	Pos	Part Number	Name	Remarks	Qty	Model
-	997 612 966 00	repair kit wiring harness when required order also:	/H/R	1							
-	999 507 960 02	cable holder repair kit wiring harness front axle see group 9/02/10 - - - E N D - - -		4							

Model	Year	MG	SG	Illustration	Restrictions	Update	17:02	25.10.2006
gt3-2	07	9	02	902-50		207		

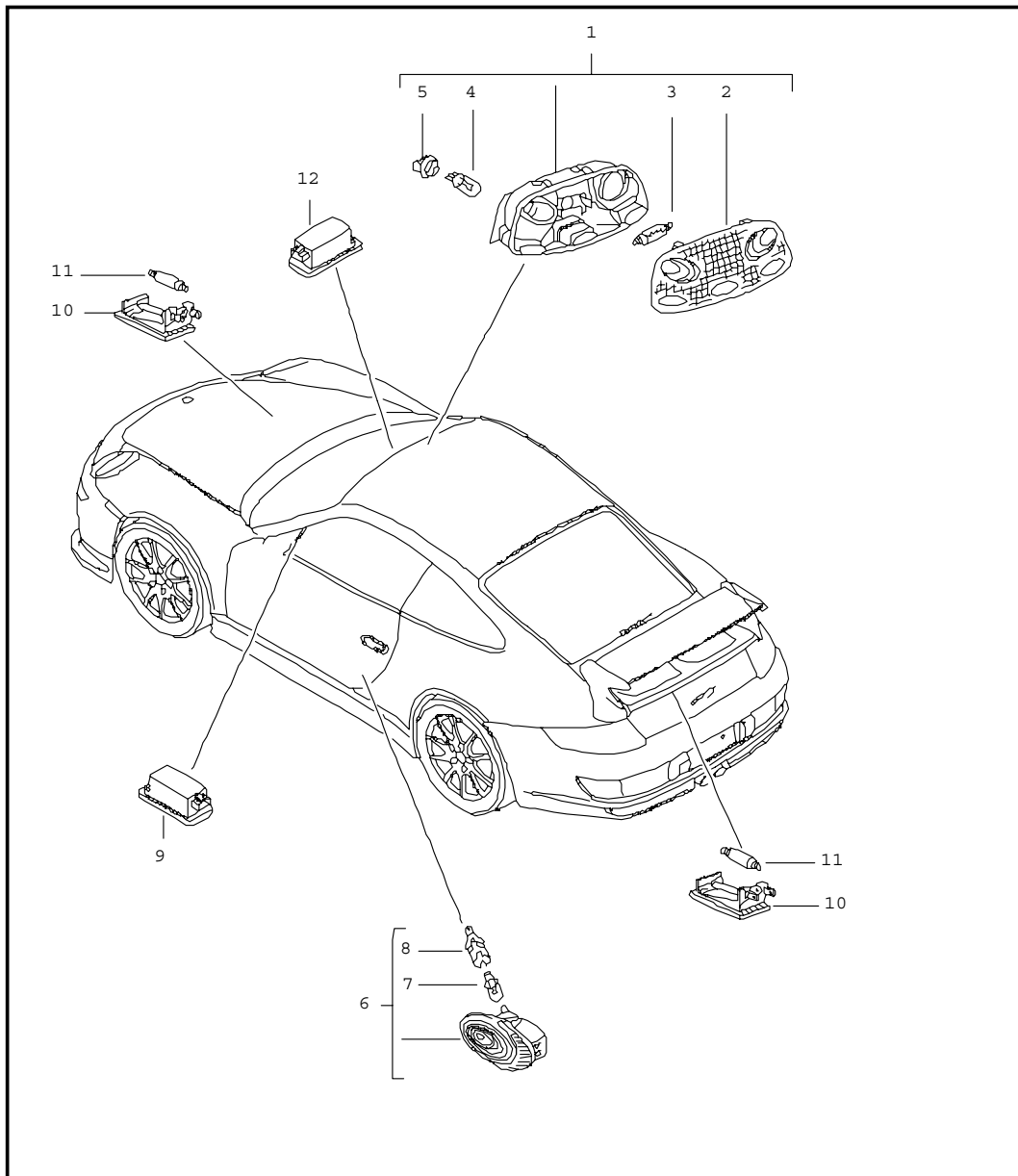
Pos	Part Number	Name	Remarks	Qty	Model
		optical waveguide module passenger compartment			
-	997 622 701 00	optical waveguide module	/LL	1	I098/670/689
-	997 622 701 50	optical waveguide module	/RL	1	I099/670/689
-	997 622 702 00	optical waveguide module	/LL	1	I098/666/689
-	997 622 702 50	optical waveguide module	/RL	1	I099/666/689
-	997 622 703 00	optical waveguide module	/LL	1	I098/666/670
-	997 622 703 50	optical waveguide module	/RL	1	I099/666/670
		module front trunk			
-	997 610 122 00	support connection point front trunk		1	
-	997 622 723 00	optical waveguide module	/LL	1	I098/670
-	997 622 723 50	optical waveguide module	/RL	1	I099/670
-	997 622 722 00	optical waveguide module	/LL	1	I098/664/670
		- - - E N D - - -			

Model	Year	MG	SG	Illustration	Restrictions	Update	17:02	25.10.2006	PORSCHE	PET	PORSCHE
gt3-2	07	9	03	903-00		207					



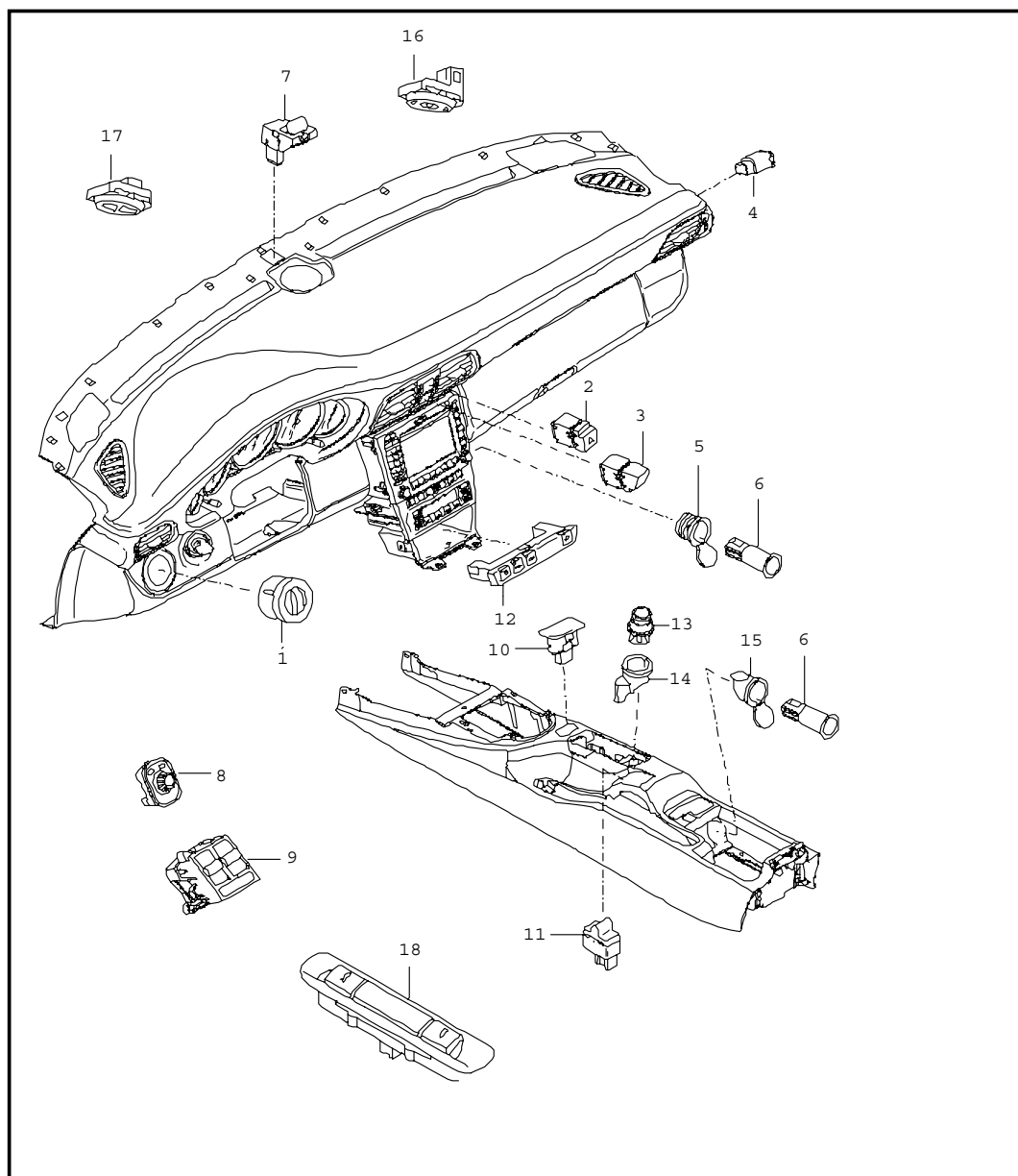
Pos	Part Number	Name	Remarks	Qty	Model
		fanfare horn alarm system			I536
1	997 635 206 00	fanfare high-pitched		1	
2	997 635 205 00	fanfare low-pitched		1	
3	997 635 150 90	support		1	
4	-	washer high-pitched		1	
5	-	washer low-pitched		1	
6	N 011 118 8	hexagon nut M 8		2	
7	900 377 003 02	hexagon nut M 8		1	
8	996 637 117 02	horn for alarm system		1	
9	900 075 459 09	screw M 6 X 12 Z2		1	
10	955 618 237 01	alarm siren		1	I536
11	997 637 419 01	support		1	I536
12	900 380 015 09	hexagon nut M 6		1	I536
13	997 618 265 00	tilt sensor		1	I536
14	999 591 742 02	speed nut 4,2		2	I536
15	999 073 155 09	tapping screw 4,2 X 13		2	I536
- - - E N D - - -					

Model	Year	MG	SG	Illustration	Restrictions	Update	17:02	25.10.2006	PORSCHE	PET	PORSCHE
gt3-2	07	9	03	903-04		207					



Pos	Part Number	Name	Remarks	Qty	Model
		interior lights luggage boot lamp engine compartment lamp glove compartment light floor light			
1	997 632 051 00	interior light		1	
2	996 632 151 00	lens		1	
3	900 631 106 90	bulb 10 W		1	
4	999 631 134 90	bulb 6 W		2	
5	999 632 018 00	bulb holder		2	
6	996 632 132 01	door guard light		2	
7	999 631 032 90	bulb 5 W		2	
8	161 949 111	bulb holder		2	
9	955 632 202 00	light footwell		2	
10	997 632 201 00	light engine compartment luggage compartment		2	
11	900 631 106 90	bulb 10 W		2	
12	997 632 071 00	glove compartment light		1	
-	999 631 137 90	bulb 3 W make-up mirror		4	
		- - - E N D - - -			

Model	Year	MG	SG	Illustration	Restrictions	Update	17:02	25.10.2006	PORSCHE	PET	PORSCHE
gt3-2	07	9	03	903-05		207					

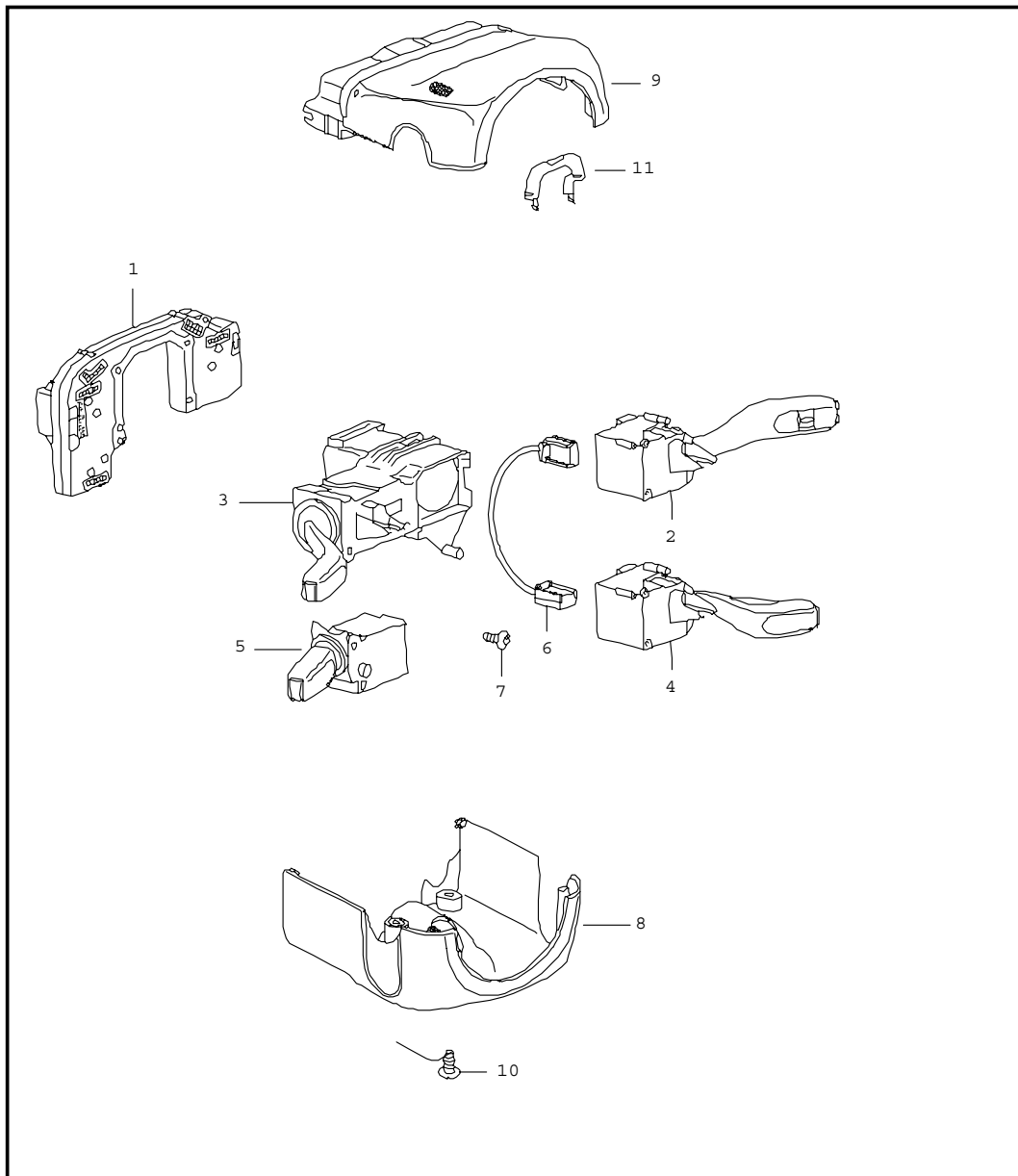


Pos	Part Number	Name	Remarks	Qty	Model
1	997 613 535 01	switch		1	
	A05	light switch			
	A05	black mat			
2	997 613 120 02	hazard warning light sw.		1	
	A05	black mat			
3	997 613 143 00	switch		1	
		central locking system			
	A05	black mat			
4	955 613 165 02	switch		1	
		airbag			
	9B9	satin black			
5	997 652 103 00	clamping ring		1	
		with cover			
6	955 652 107 00	socket		2	
7	997 653 251 00	sensor		1	I573
		air conditioner			
8	997 613 241 00	switch		1	
		door mirror			
	A05	black mat			
9	997 613 151 03	switch	/LL	1	I098
		power windows			
		driver's side			
	A05	black mat			
(9)	997 613 152 03	switch	/RL	1	I099
		power windows			
		driver's side			
	A05	black mat			
(9)	997 613 156 03	switch	/LL	1	I098
		power windows			
		passenger's side			
	A05	black mat			
(9)	997 613 155 03	switch	/RL	1	I099
		power windows			
		passenger's side			
	A05	black mat			

Model	Year	MG	SG	Illustration	Restrictions	Update	17:02	25.10.2006	PORSCHE	PET	PORSCHE
gt3-2	07	9	03	903-05		207					

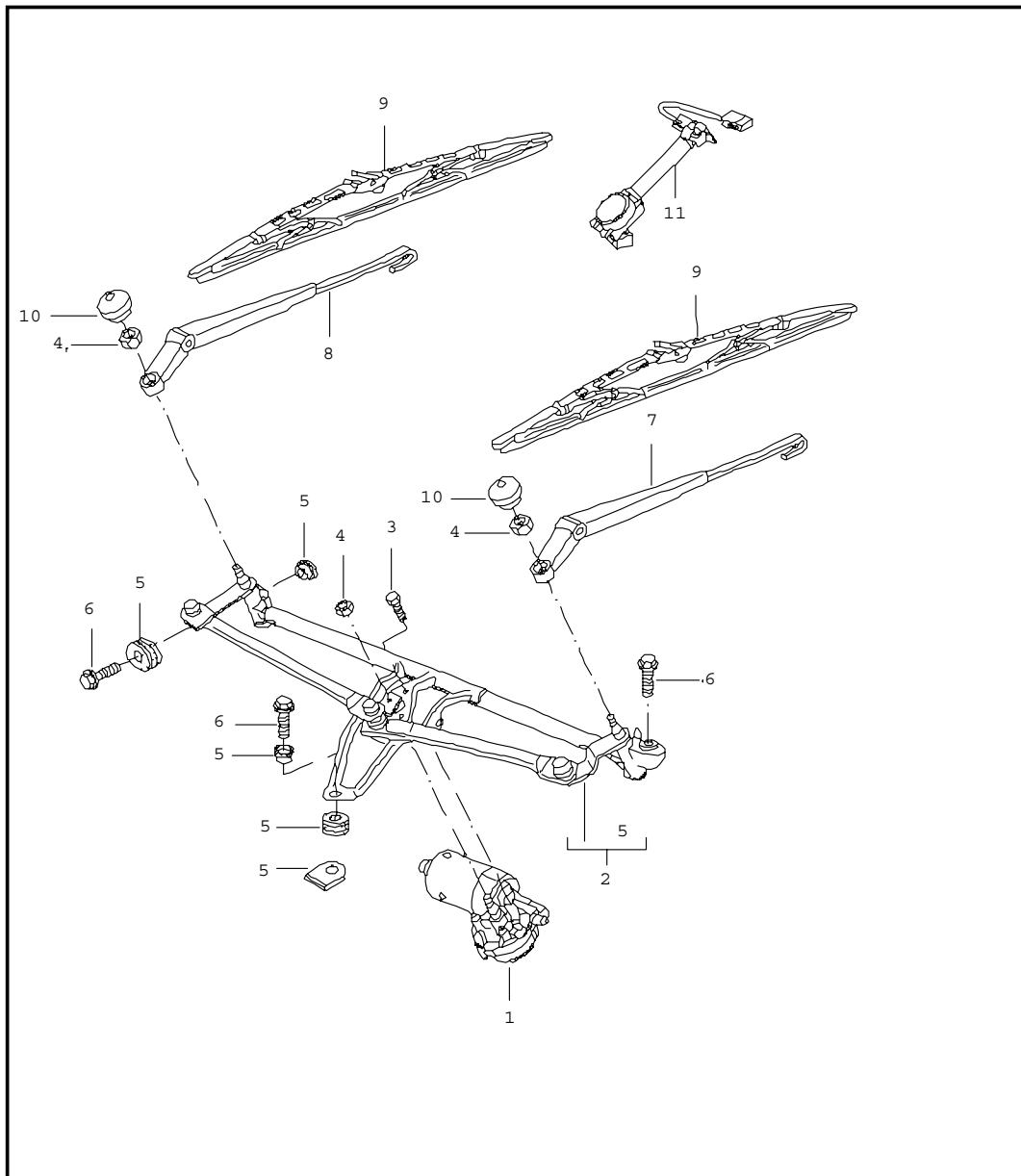
Pos	Part Number	Name	Remarks	Qty	Model	Pos	Part Number	Name	Remarks	Qty	Model
10	997 641 165 00	indicator light airbag		1							
	A05	black mat									
(11)	-	cover see group 8/09/20 POS.6									
12	997 613 127 00	combined switch		1	I475						
	FMH	volcano grey/black mat									
13	996 652 101 10	cigarette lighter		1							
	A05	black mat									
14	997 652 102 00	headlight unit		1							
15	997 652 104 00	clamping ring with cover		1							
16	997 613 147 00	switch sunroof		1	I650						
	A05	black mat									
(17)	997 613 235 00	cover		2							
	01C	satin black									
18	997 613 105 00	switch cover front and rear		1							
	A05	black mat									
		- - - E N D - - -									

Model	Year	MG	SG	Illustration	Restrictions	Update	17:03	25.10.2006	PORSCHE	PET	PORSCHE
gt3-2	07	9	03	903-10		207					



Pos	Part Number	Name	Remarks	Qty	Model
		steering column switch			
1	997 613 291 02	electronic unit		1	
2	997 613 251 00	wiper switch		1	
	01C	satin black			
(2)	997 613 253 00	wiper switch		1	I288
	01C	satin black			
3	997 613 245 00	direction indicator switch		1	
	01C	satin black			
4	997 613 261 00	switch cruise control		1	I454
	01C	satin black			
5	997 613 265 00	switch on-board computer		1	I659
	01C	satin black			
6	997 622 674 00	wiring harness cruise control		1	I454
7	N 909 068 01	torx screw M 2,5 X 2,6 X 43,5-D		X	
8	997 552 475 02	switch housing lower		1	
	A03	black			
(8)	997 552 475 03	switch housing lower		1	I454
	A03	black			
9	997 552 273 02	switch housing upper		1	
	A03	black			
10	999 919 136 02	oval-head screw 3,5 X 18		3	
11	997 610 206 00	cable guide		1	
		- - - E N D - - -			

Model	Year	MG	SG	Illustration	Restrictions	Update	17:03	25.10.2006	PORSCHE	PET	PORSCHE
gt3-2	07	9	04	904-00		207					

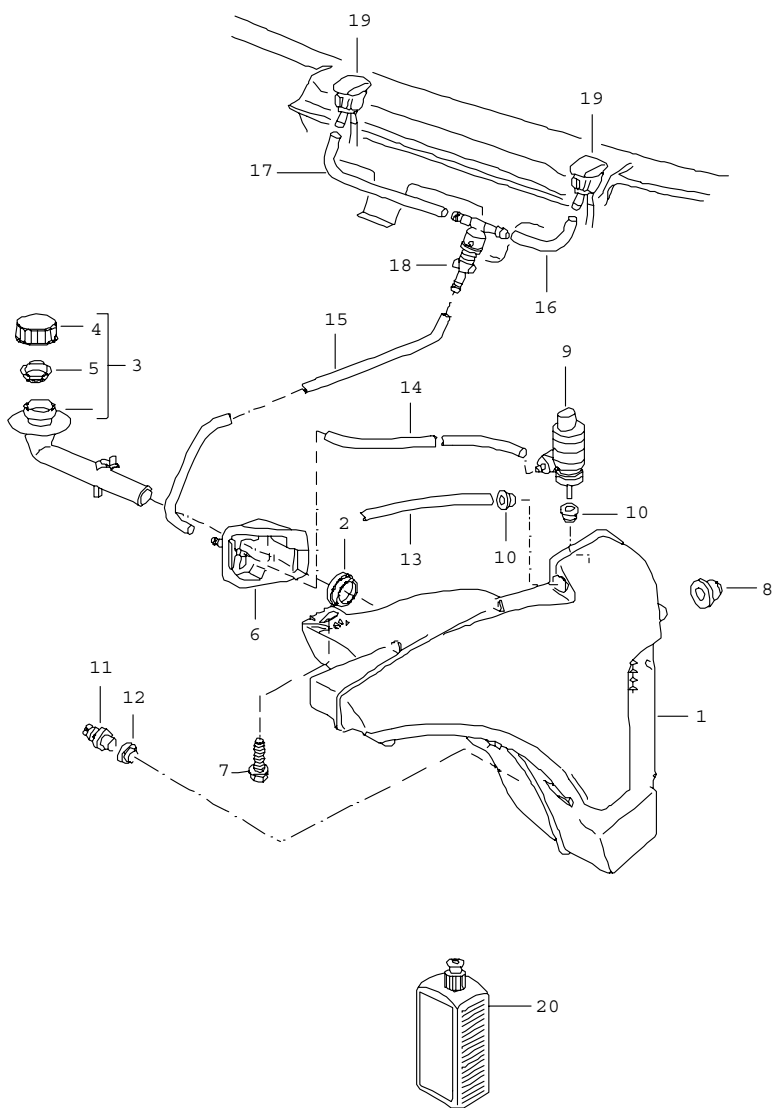


Pos	Part Number	Name	Remarks	Qty	Model
		windscreen wiper system rain sensor			
1	997 624 105 00	wiper motor	/LL	1	I098
(1)	997 624 106 00	wiper motor	/RL	1	I099
2	997 628 235 00	crank drive	/LL	1	I098
(2)	997 628 236 00	crank drive	/RL	1	I099
3	999 073 359 09	torx screw M 6 X 18		3	
4	900 076 064 02	hexagon nut M 8		3	
5	997 628 928 00	repair kit comprising:		1	
-	-	sleeve		1	
-	-	rubber bush		1	
-	-	sleeve		1	
-	-	rubber bush		1	
-	-	clamp		2	
6	999 075 075 01	screw M 6 X 22 SC		3	
7	996 628 028 00	wiper arm driver's side	/LL	1	I098
(7)	996 628 027 01	wiper arm passenger's side	/RL	1	I099
8	996 628 028 01	wiper arm passenger's side	/LL	1	I098
(8)	996 628 027 00	wiper arm	/RL	1	I099
9	996 628 901 08	wiper blade set driver's side passenger's side		1	
10	944 628 305 01	cap		2	
11	997 612 693 00	rain sensor with wiring harness		1	I268
(11)	997 612 694 00	rain sensor with wiring harness		1	I267/268

Model	Year	MG	SG	Illustration	Restrictions	Update	17:03	25.10.2006	PORSCHE	PET	PORSCHE
gt3-2	07	9	04	904-00		207					

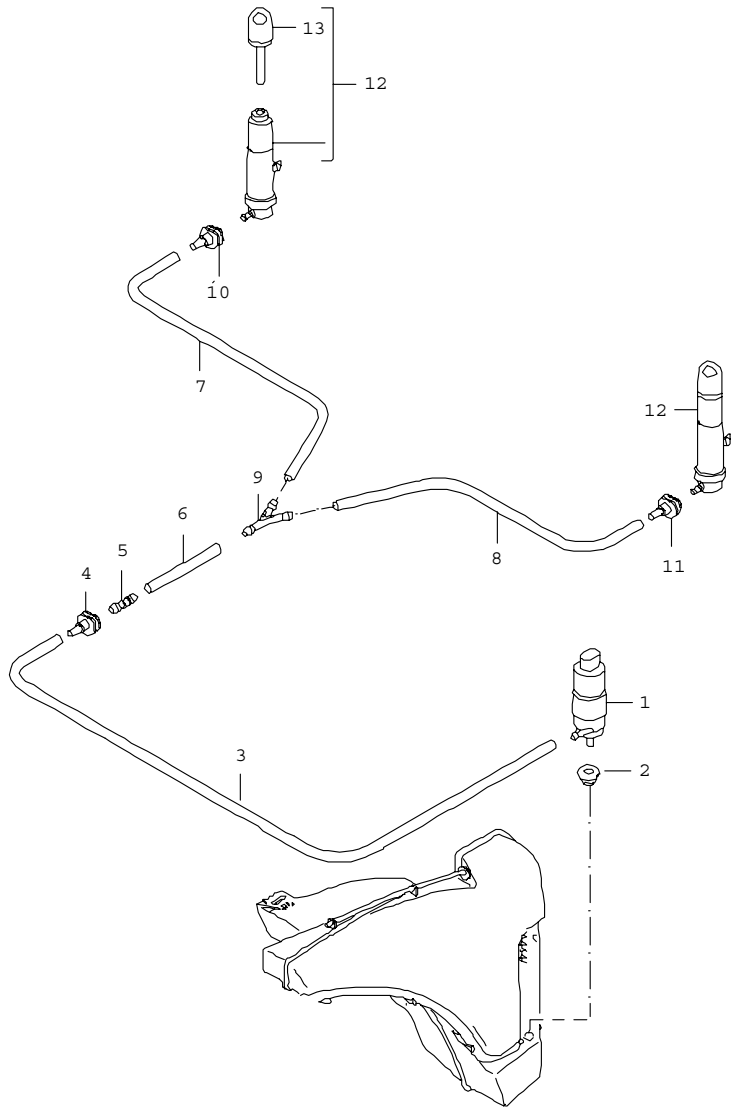
Pos	Part Number	Name	Remarks	Qty	Model	Pos	Part Number	Name	Remarks	Qty	Model
-	000 043 204 65	adhesive film for rain sensor		1							
(11)	997 612 695 00	wiring harness with light for cars without rain sensor - - - E N D - - -		1							

Model	Year	MG	SG	Illustration	Restrictions	Update	17:03	25.10.2006	PORSCHE	PET	PORSCHE
gt3-2	07	9	04	904-10		207					



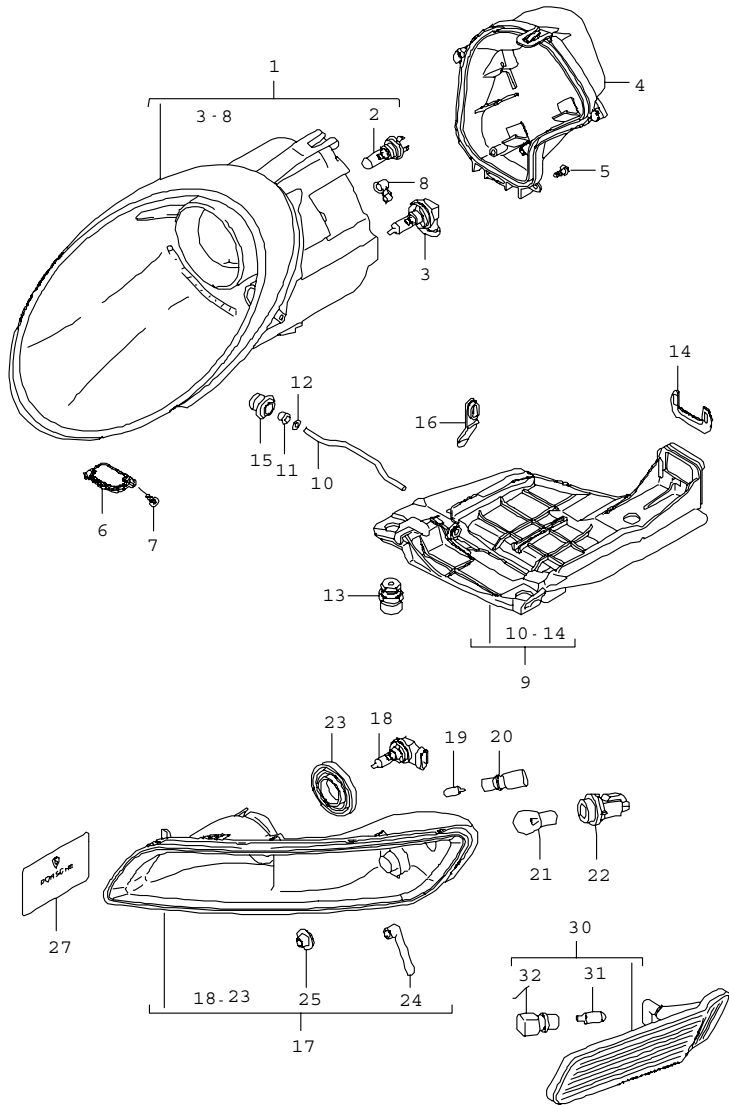
Pos	Part Number	Name	Remarks	Qty	Model
		windscreen washer system			
1	997 528 701 01	water reservoir		1	I288
(1)	997 528 701 00	water reservoir		1	
2	996 528 711 00	gasket		1	
3	997 528 605 00	filler neck		1	
4	996 528 607 00	cover		1	
5	997 528 621 00	filter		1	
6	996 528 615 01	bracket		1	
-	999 137 091 40	socket repair material for bracket 996.528.615.01		X	
7	900 378 154 09	hexagon-head bolt AM 8 X 35 SB		1	
8	999 702 221 40	grommet		2	
9	997 628 182 00	pump		1	
10	431 955 465 B	gasket		2	
11	955 628 105 00	tank gauge		1	
12	955 528 721 00	gasket		1	
13	999 181 347 40	breather pipe 273 MM		*	
-	999 181 815 40	hose 5,0 X 2,5		*	
14	-	375 MM		1	
15	-	650 MM		1	
16	-	97 MM		1	
17	-	347 MM		1	
(18)	999 137 005 40	t-piece		1	
19	996 628 077 03	nozzle		2	
20	999 901 017 42	window cleaner 250 ML summer		X	
- - - E N D - - -					

Model	Year	MG	SG	Illustration	Restrictions	Update	17:03	25.10.2006	PORSCHE	PET	PORSCHE
gt3-2	07	9	04	904-20		207					



Pos	Part Number	Name	Remarks	Qty	Model
		headlight washer system			I288
1	997 624 502 00	pump		1	
2	928 628 193 00	gasket		1	
-	000 043 204 79	hose 8 X 3		*	
3	-	890 MM		1	
4	996 628 204 00	quick-connecting lock		1	
5	997 628 208 00	hose connection		1	
-	999 181 760 40	hose 10 X 3		*	
6	-	440 MM			
7	-	80 MM			
8	-	1850 MM			
9	999 137 093 40	y-piece		1	
10	997 628 204 00	quick-connecting lock		1	
11	997 628 205 00	quick-connecting lock		1	
12	997 628 133 00	nozzle		2	
13	997 628 231 00	nozzle head		2	
		- - - E N D - - -			

Model	Year	MG	SG	Illustration	Restrictions	Update	17:03	25.10.2006	PORSCHE	PET	PORSCHE
gt3-2	07	9	05	905-00		207					

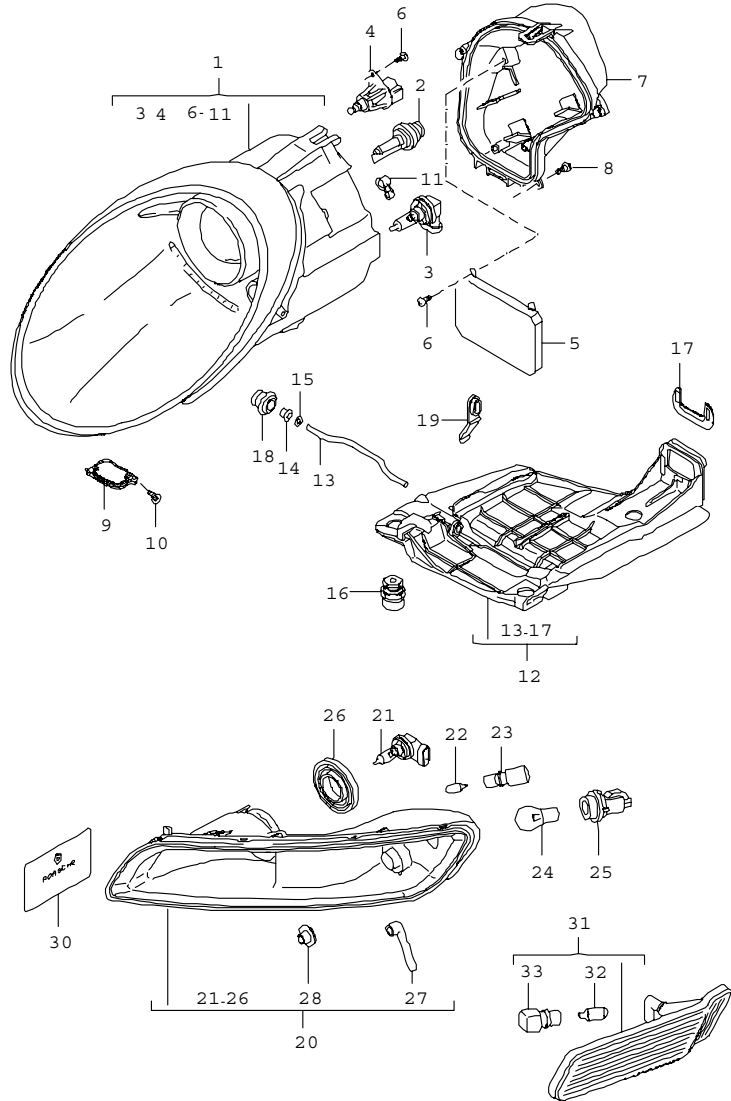


Pos	Part Number	Name	Remarks	Qty	Model
		headlamp additional headlamp side turn signal			
1	997 631 163 02	headlamp	/L	1	
(1)	997 631 164 02	headlamp	/R	1	
1	997 631 163 12	headlamp	/L	1	I492
(1)	997 631 164 12	headlamp	/R	1	I492
2	999 631 133 91	halogen bulb H 7		2	
3	999 631 143 90	halogen bulb H 9		2	
4	997 631 101 00	protective cap	/L	1	
(4)	997 631 102 00	protective cap	/R	1	
5	997 631 191 00	screw		8	
6	997 631 149 00	ventilation component	/L	1	
(6)	997 631 150 00	ventilation component	/R	1	
7	997 631 153 00	screw		4	
8	997 631 249 00	breather adapter		2	
9	997 631 073 01	mounting	/L	1	
(9)	997 631 074 01	mounting	/R	1	
10	997 631 273 01	clamping bow		2	
11	997 631 272 00	bearing sleeve		2	
12	900 116 004 09	lock washer		2	
13	997 631 194 00	fastening part		6	
14	997 631 245 00	locking device connector housing		2	
15	999 703 413 40	plug		2	
16	993 631 170 03	plug		4	
		additional headlamp			
17	997 631 081 01	additional headlamp	/L	1	
(17)	997 631 082 01	additional headlamp	/R	1	

Model	Year	MG	SG	Illustration	Restrictions	Update	17:03	25.10.2006	PORSCHE	PET	PORSCHE
gt3-2	07	9	05	905-00		207					

Pos	Part Number	Name	Remarks	Qty	Model	Pos	Part Number	Name	Remarks	Qty	Model
18	999 631 142 90	halogen bulb H 8		2							
19	999 631 033 90	bulb 5 W position light		2							
20	997 631 137 00	bulb holder position light		2							
21	900 631 021 90	bulb 21 W direction indicator light		2							
22	997 631 139 00	bulb holder direction indicator light		2							
23	997 631 145 00	cap		2							
24	997 631 147 00	breather adapter		2							
25	997 631 293 00	cover		4							
27	997 631 231 00	card for release additional headlamp		1							
		side turn signal									
30	997 631 033 01	side turn signal	/L	1							
(30)	997 631 034 01	side turn signal	/R	1							
31	999 631 138 90	bulb 5 W yellow		2							
32	997 631 133 00	bulb holder		2							
		- - - E N D - - -									

Model	Year	MG	SG	Illustration	Restrictions	Update	17:04	25.10.2006	PORSCHE	PET	PORSCHE
gt3-2	07	9	05	905-01		207					

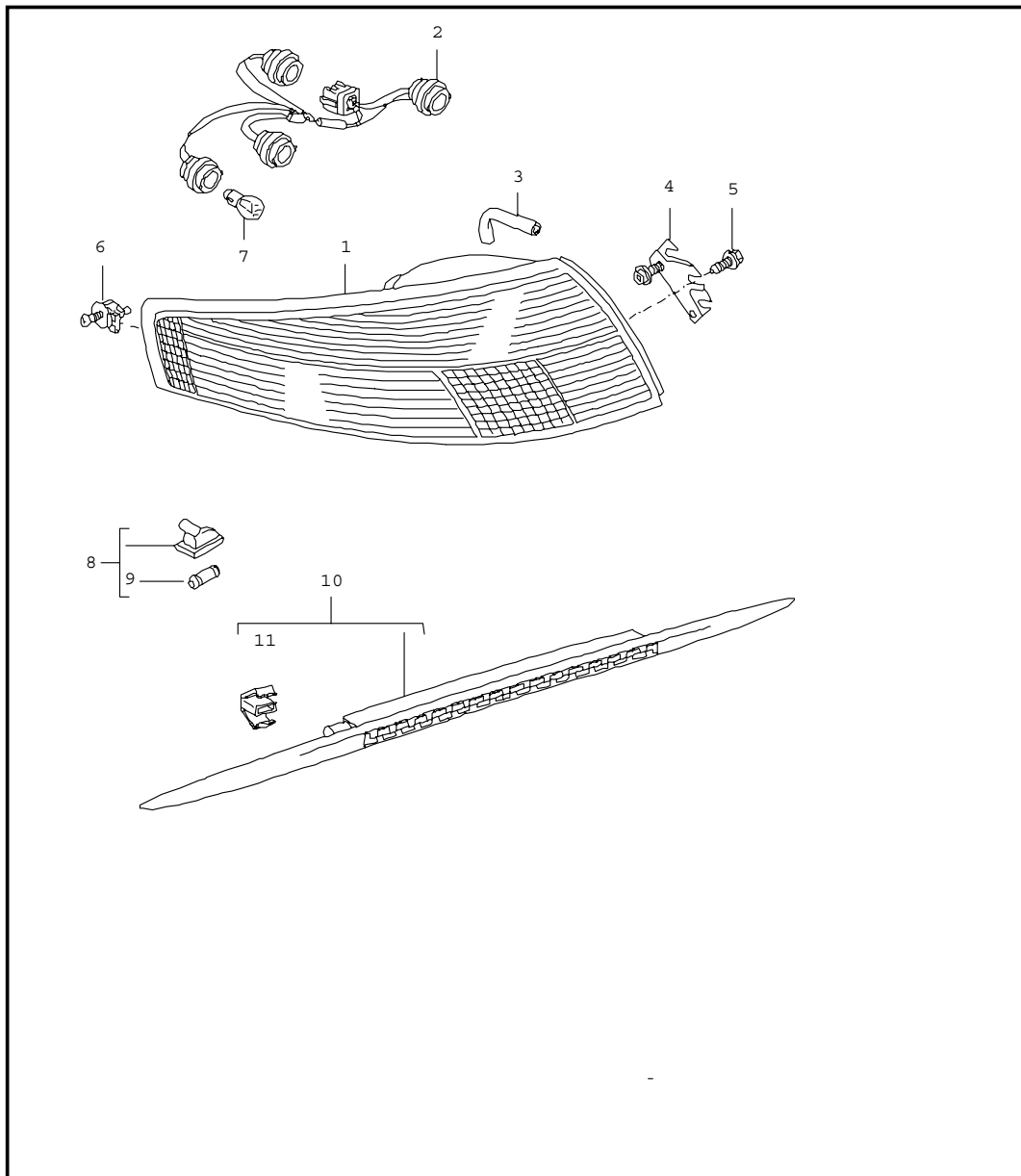


Pos	Part Number	Name	Remarks	Qty	Model
		headlamp additional headlamp side turn signal			I601
		headlamp without control unit and bulb XENON			
1	997 631 157 02	headlamp	/L	1	
(1)	997 631 158 02	headlamp	/R	1	
1	997 631 157 12	headlamp	/L	1	I492
(1)	997 631 158 12	headlamp	/R	1	I492
2	999 631 036 90	bulb - PHILIPS -		2	
3	999 631 144 91	halogen bulb H 11		2	
4	997 631 141 00	electric motor headlight levelling system		2	
5	997 631 183 00	control unit		2	
6	997 631 199 00	screw		6	
7	997 631 101 00	protective cap	/L	1	
(7)	997 631 102 00	protective cap	/R	1	
8	997 631 191 00	screw		8	
9	997 631 149 00	ventilation component	/L	1	
(9)	997 631 150 00	ventilation component	/R	1	
10	997 631 153 00	screw		4	
11	997 631 249 00	breather adapter		2	
12	997 631 073 01	mounting	/L	1	
(12)	997 631 074 01	mounting	/R	1	
13	997 631 273 01	clamping bow		2	
14	997 631 272 00	bearing sleeve		2	
15	900 116 004 09	lock washer		2	
16	997 631 194 00	fastening part		6	

Model	Year	MG	SG	Illustration	Restrictions	Update	17:04	25.10.2006	PORSCHE	PET	PORSCHE
gt3-2	07	9	05	905-01		207					

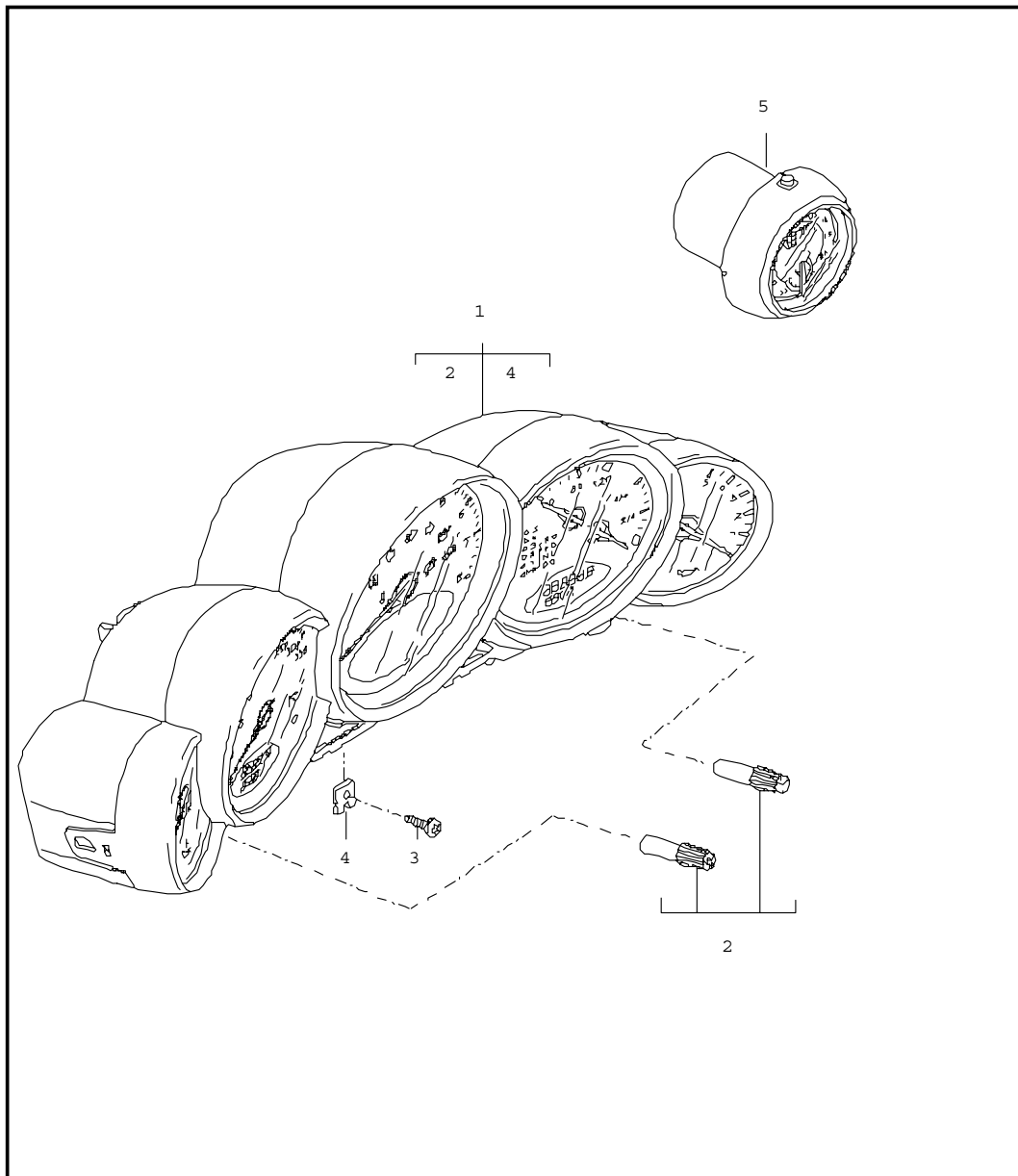
Pos	Part Number	Name	Remarks	Qty	Model	Pos	Part Number	Name	Remarks	Qty	Model
17	997 631 245 00	locking device connector housing		2							
18	999 703 413 40	plug		2							
19	993 631 170 03	plug		4							
		additional headlamp									
20	997 631 081 01	additional headlamp	/L	1							
(20)	997 631 082 01	additional headlamp	/R	1							
21	999 631 142 90	halogen bulb H 8		2							
22	999 631 033 90	bulb 5 W position light		2							
23	997 631 137 00	bulb holder position light		2							
24	900 631 021 90	bulb 21 W direction indicator light		2							
25	997 631 139 00	bulb holder direction indicator light		2							
26	997 631 145 00	cap		2							
27	997 631 147 00	breather adapter		2							
28	997 631 293 00	cover		4							
30	997 631 231 00	card for release additional headlamp		1							
		side turn signal									
31	997 631 033 01	side turn signal	/L	1							
(31)	997 631 034 01	side turn signal	/R	1							
32	999 631 138 90	bulb 5 W yellow		2							
33	997 631 133 00	bulb holder		2							
		- - - E N D - - -									

Model	Year	MG	SG	Illustration	Restrictions	Update	17:04	25.10.2006	PORSCHE	PET	PORSCHE
gt3-2	07	9	05	905-05		207					



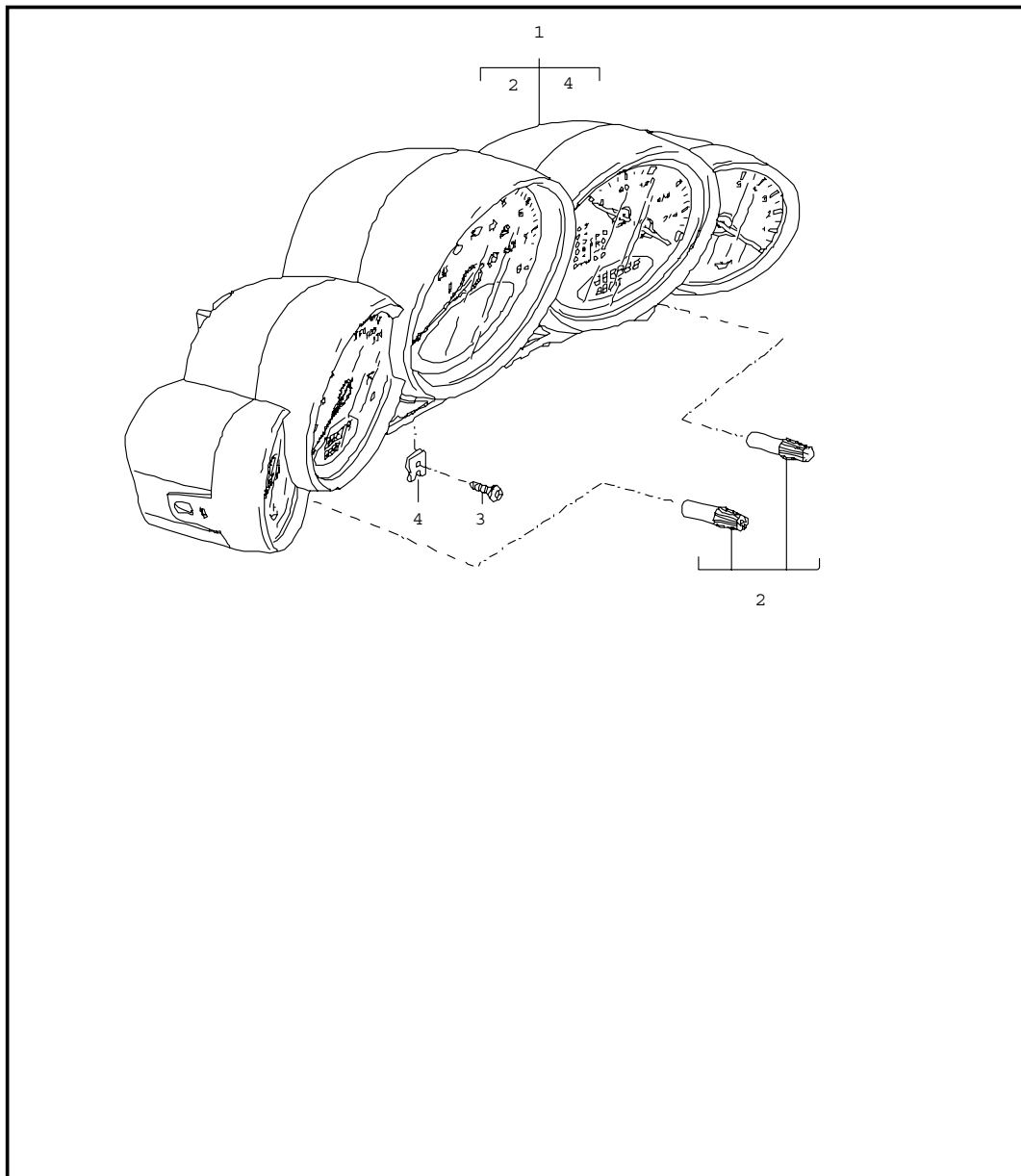
Pos	Part Number	Name	Remarks	Qty	Model
		rear light license plate light additional stoplamp			
1	997 631 485 03	rear light housing	/L	1	
(1)	997 631 486 03	rear light housing	/R	1	
2	997 631 436 00	wiring harness		2	
3	997 631 451 00	breather adapter		4	
4	997 631 463 01	support	/L	1	
(4)	997 631 464 01	support	/R	1	
5	900 146 075 09	screw M 6 X 12		2	
6	997 631 471 00	mounting		2	
7	900 631 018 90	bulb 21 W white		X	
7	900 631 021 90	bulb 21 W yellow		X	
(7)	900 631 022 90	bulb 21/5 W		X	
7	900 631 017 90	bulb 21/4 W		X	
8	997 631 620 00	license plate light		2	
9	900 631 025 90	bulb 12V 5W		2	
10	997 631 050 03	additional stoplamp		1	
11	997 631 203 00	clip		6	
		- - - E N D - - -			

Model	Year	MG	SG	Illustration	Restrictions	Update	17:04	25.10.2006	PORSCHE	PET	PORSCHE
gt3-2	07	9	06	906-01		207					



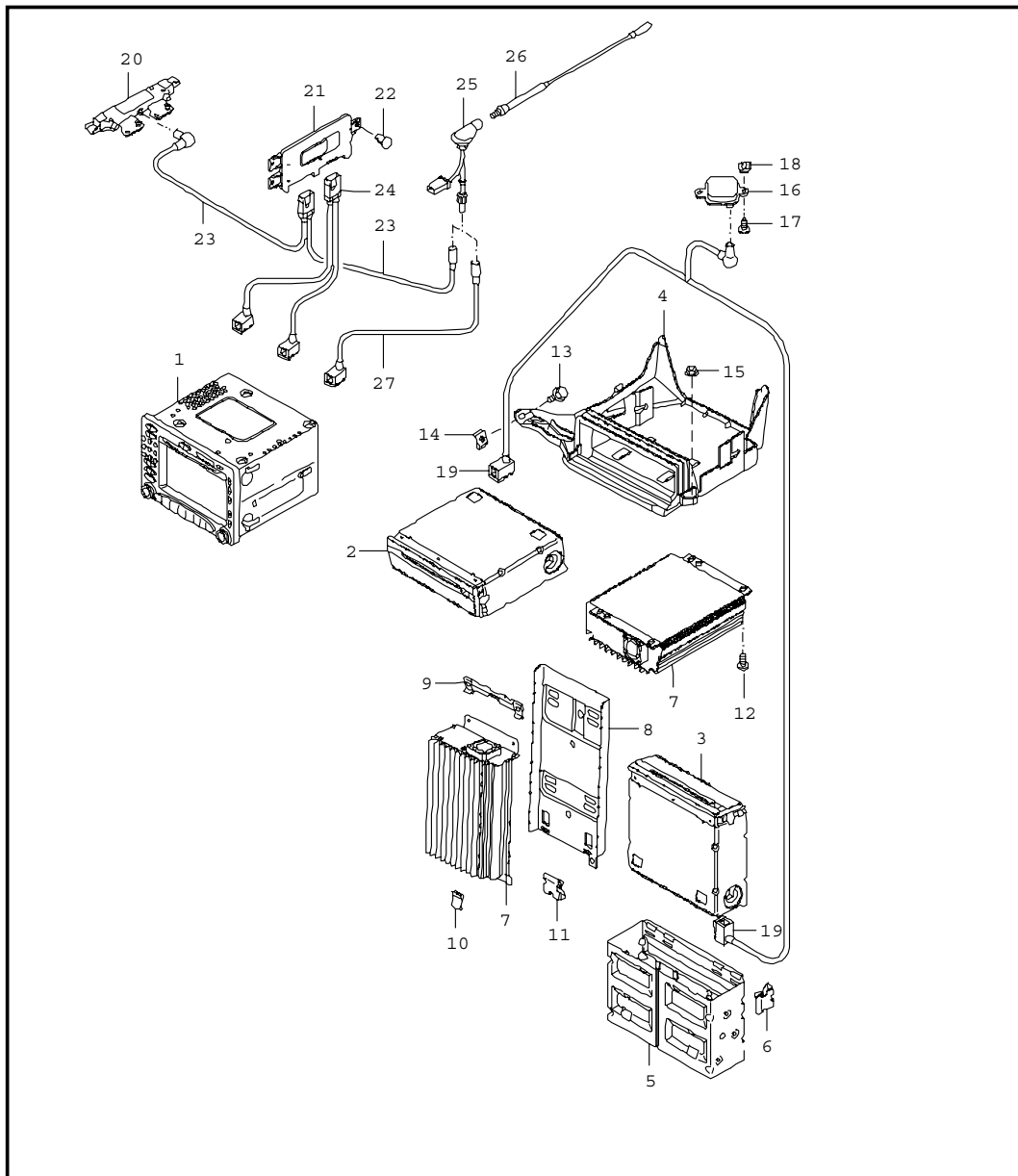
Pos	Part Number	Name	Remarks	Qty	Model
1	997 641 105 90	instruments stopwatch instrument cluster complete		1	I022/480
		D07 volcano grey			
1	997 641 107 90	instrument cluster complete		1	(GB) I022/ I480
		D07 volcano grey			
(2)	997 641 911 00	knob actuator tripmeter and clock		1	
3	999 073 339 09	tapping screw 4,2 X 19		2	
4	999 507 403 02	u-clamp		2	
		stopwatch			
5	997 641 301 92	stopwatch		1	I639/640
		V05 galvano silver			
		- - - E N D - - -			

Model	Year	MG	SG	Illustration	Restrictions	Update	17:04	25.10.2006	PORSCHE	PET	PORSCHE
gt3-2	07	9	06	906-02		207					



Pos	Part Number	Name	Remarks	Qty	Model
		instruments exclusive programme			
1	997 641 990 05	instrument cluster complete dial lacquered		1	I480
	84A	guards red			IXFG
1	997 641 990 07	instrument cluster complete dial lacquered		1	(GB) I480
	84A	guards red			IXFG
2	997 641 911 00	knob actuator tripmeter and clock		1	
3	999 073 339 09	tapping screw 4,2 X 19		2	
4	999 507 403 02	u-clamp		2	
		- - - E N D - - -			

Model	Year	MG	SG	Illustration	Restrictions	Update	17:04	25.10.2006	PORSCHE	PET	PORSCHE
gt3-2	07	9	11	911-00		207					

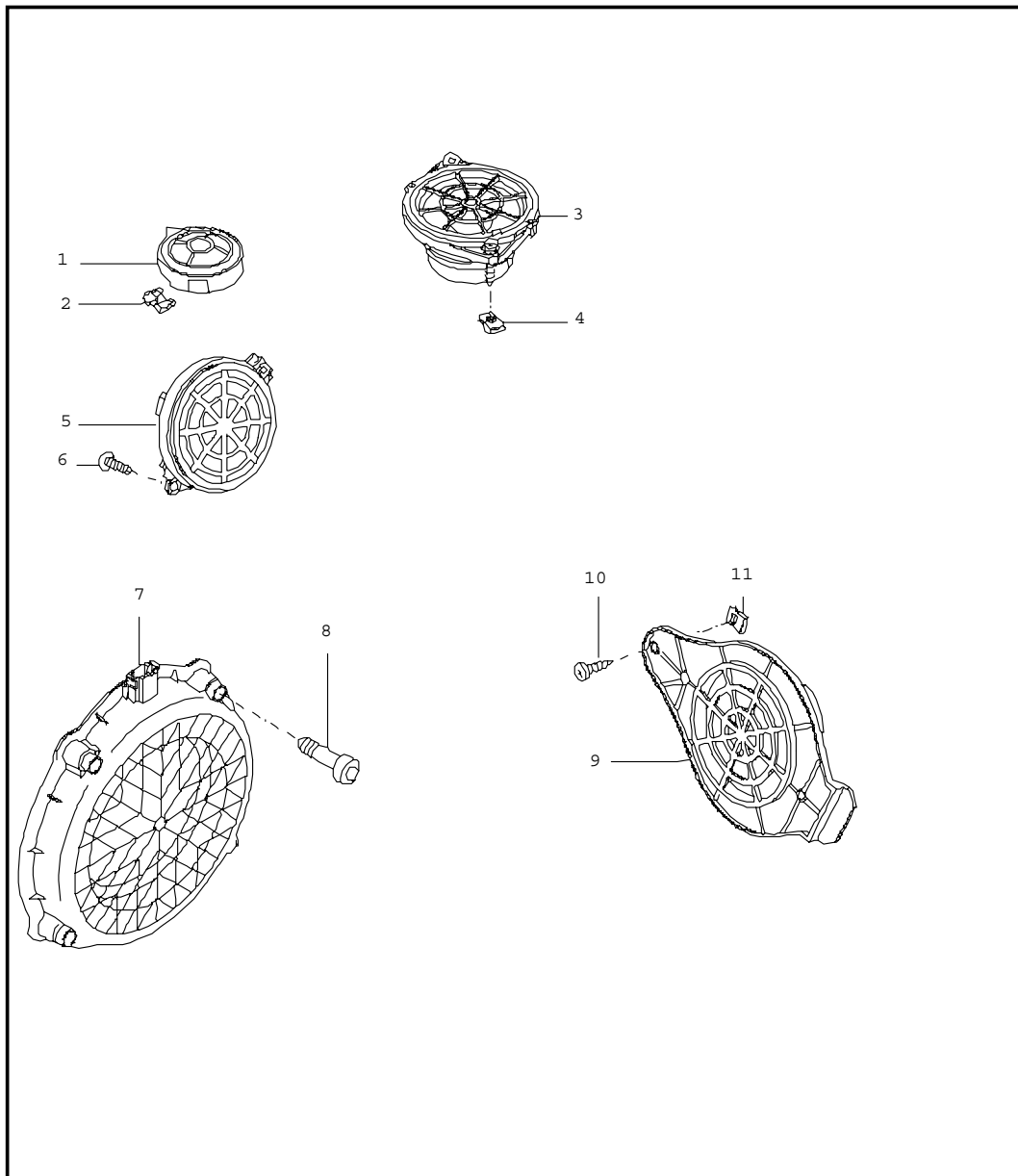


Pos	Part Number	Name	Remarks	Qty	Model
		radio control part navigation system booster			
		radio see catalogue T E Q U I P M E N T			
1 >	997 642 141 10	control part		1	I665
		FMH volcano grey/black mat			
-	997 642 201 00	rotary knob	/L	1	
		A05 black mat for control part see technical information GR. 9 , NR. 6/04			
-	997 642 202 00	rotary knob	/R	1	
		A05 black mat for control part see technical information GR. 9 , NR. 6/04			
-	997 642 941 00	cover * * for control part		1	
-	900 187 038 02	tapping screw ST4,2 X 19 for mount radio and control part centre console		1	
2 >	997 642 157 00	dvd device navigation system	/LL	1	I098/670
3 >	997 642 159 00	dvd device navigation system	/RL	1	I099/670
3 >	997 642 159 00	dvd device navigation system		1	I664/670
-	997 642 255 04	dvd navigation system		1	I610
-	997 642 259 03	dvd navigation system		1	I611

Model	Year	MG	SG	Illustration	Restrictions	Update	17:04	25.10.2006	PORSCHE	PET	PORSCHE
gt3-2	07	9	11	911-00		207					

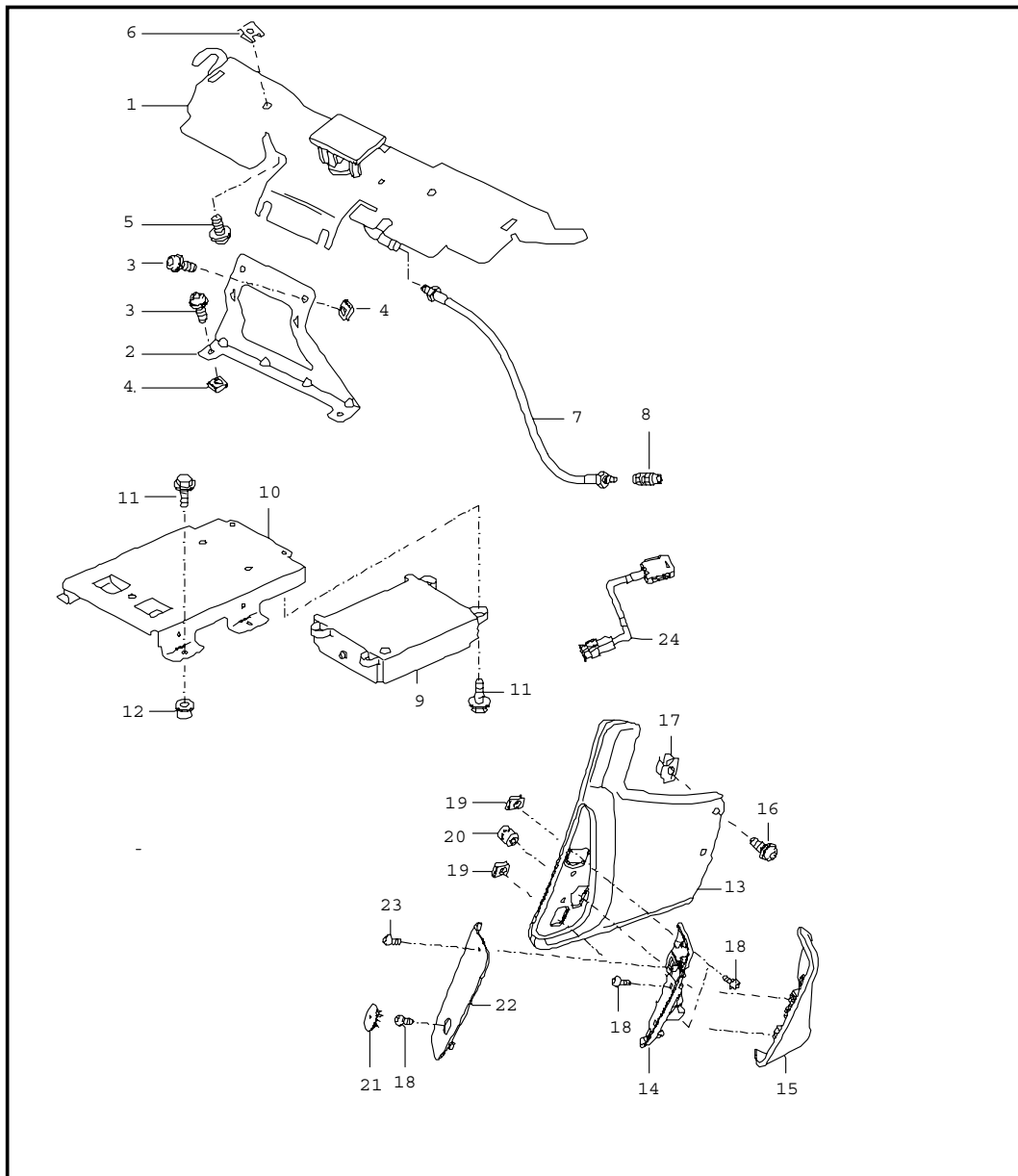
Pos	Part Number	Name	Remarks	Qty	Model	Pos	Part Number	Name	Remarks	Qty	Model
-	997 642 261 03	dvd navigation system		1	I612	18	999 507 441 02	speed nut 4,8		1	I670
-	997 642 263 03	dvd navigation system		1	I613	19	997 612 060 25	connecting line antenna dvd device navigation system		1	I670
-	997 642 265 04	dvd navigation system		1	I614						
-	997 642 267 03	dvd navigation system		1	I616	20	997 647 117 00	antenna booster	/L	1	I440
						(20)	997 647 118 00	antenna booster	/R	1	I440
4	997 645 351 00	support dvd device and booster	/LL	1	I098/490/670	21	997 647 124 00	control unit		1	I440
						22	999 591 904 40	fastening part		2	I440
5	997 642 231 00	support dvd device		1	I664/670	23	997 612 069 00	connecting line antenna booster control unit	/LL	1	I098/461/665
(5)	997 642 335 00	support dvd device	/RL	1	I099/670	23	997 612 069 50	connecting line antenna booster control unit	/RL	1	I099/461/665
6	997 645 342 01	u-clamp		4	I664/670	(23)	997 612 055 00	connecting line antenna booster control unit	/LL	1	I098/665
(7)	997 645 331 01	booster		1	I490	(23)	997 612 056 00	connecting line antenna booster control unit	/RL	1	I099/665
8	997 645 341 01	support		1	I490/664						
9	997 645 340 00	clamp		1	I490/664	(23)	997 612 062 50	connecting line antenna booster control unit		1	I461/I694
9	997 645 340 00	clamp	/RL	1	I099/490	(23)	997 612 062 50	connecting line antenna booster control unit		1	I461/I694
10	999 507 532 02	u-clamp		2	I490/664	(24)	997 612 058 00	connecting line control unit control part or radio		1	I665/I694
10	999 507 532 02	u-clamp	/RL	2	I099/490						
11	997 645 342 01	u-clamp		4	I490/664						
12	999 919 164 09	oval-head screw 5,0 X 12,0	/LL	X	I098/490						
13	900 378 179 09	hexagon-head bolt M 6 X 16	/LL	1	I098/490/670	25	997 647 231 00	antenna base		1	I461
14	999 507 766 02	speed nut M 6	/LL	1	I098/490/670	26	997 647 233 00	antenna rod		1	I461
15	900 377 018 09	hexagon nut M 6	/LL	1	I098/490/670	27	997 612 070 00	connecting line antenna base radio		1	I461/694
16	997 642 105 00	antenna GPS		1	I670				- - - E N D - - -		
17	999 073 210 00	tapping screw 4,8 X 13		1	I670						

Model	Year	MG	SG	Illustration	Restrictions	Update	17:05	25.10.2006	PORSCHE	PET	PORSCHE
gt3-2	07	9	11	911-05		207					



Pos	Part Number	Name	Remarks	Qty	Model
		loudspeaker			
1	997 645 021 00	tweeter dashboard		2	I441/490
2	999 591 303 01	u-clamp		4	
3	997 645 033 00	loudspeaker dashboard centre		1	I490
4	999 507 971 01	speed nut 4,2		4	
5	997 645 543 00	mid-range loudspeaker door		2	I490
6	999 919 164 09	oval-head screw 5,0 X 12		4	
7	997 645 551 00	woofer		2	I441
7	997 645 553 00	woofer		2	I490
8	N 014 743 2	pan-head screw M 6 X 30		8	
9	997 645 041 01	loudspeaker rear		2	I490
10	999 073 225 09	tapping screw 4,8 X 16		2	
11	999 507 441 09	speed nut 4,8		2	
		- - - E N D - - -			

Model	Year	MG	SG	Illustration	Restrictions	Update	17:05	25.10.2006	PORSCHE	PET	PORSCHE
gt3-2	07	9	11	911-10		207					



Pos	Part Number	Name	Remarks	Qty	Model
		telephone			I618/I666
1	997 647 125 01	antenna	/LL	1	I098
(1)	997 647 126 01	antenna	/RL	1	I099
2	997 647 127 00	support	/LL	1	I098
(2)	997 647 128 00	support	/RL	1	I099
3	999 073 236 0A	oval-head screw M 6 X 10		4	
4	999 507 550 0A	speed nut M 6		4	
5	999 073 210 00	tapping screw 4,8 X 13		2	
6	999 507 441 02	speed nut 4,8		2	
7	997 612 989 05	connecting line		1	I666
8	964 646 318 00	adapter plug		1	I618
9	> 997 646 209 00	control unit telephone		1	I666
10	997 642 216 00	support		1	I618/666
11	900 378 035 09	hexagon-head bolt M 6 X 16		4	I618/666
12	999 500 078 00	speed nut M 6		2	I618/666
13	997 553 118 07	cover lateral	/LL	1	I098
		FSA	black/grey		
		FSH	darkgrey natural/grey		
(13)	997 553 117 07	cover lateral	/RL	1	I099
		FSA	black/grey		
		FSH	darkgrey natural/grey		
14	997 553 520 00	adapter	/LL	1	I098
(14)	997 553 519 00	adapter	/RL	1	I099
15	997 553 418 01	cover	/LL	1	I098
	All	black			

Model	Year	MG	SG	Illustration	Restrictions	Update	17:05	25.10.2006	PORSCHE	PET	PORSCHE
gt3-2	07	9	11	911-10		207					

Pos	Part Number	Name	Remarks	Qty	Model	Pos	Part Number	Name	Remarks	Qty	Model
		D12 dark grey/natural									
(15)	997 553 417 01	cover	/RL	1	I099						
		A11 black									
		D12 dark grey/natural									
16	999 073 226 09	tapping screw 4,2 X 16		2							
17	999 591 508 02	captive nut 4,2		2							
18	999 073 155 09	tapping screw 4,2 X 13		7							
19	999 507 971 01	speed nut 4,2		2							
20	999 507 645 02	threaded piece 4,2		1							
21	997 553 751 00	cap		1							
		01C satin black									
22	997 553 522 01	plate	/LL	1	I098/618						
		01C satin black									
(22)	997 553 521 01	plate	/RL	1	I099/618						
		01C satin black									
23	999 919 230 00	countersunk-head screw 3 X 10		1	I618						
24	997 646 307 00	microphone		1							
-	997 610 233 00	cable guide microphone		1							
		- - - E N D - - -									

MXI KAT29

KAT.	M-X-I-NR	BENENNUNG-Deutsch DESCRIPTION-English
29	IXAA	Aerokit Cup Aerokit cup
29	IXAF	Aerokit Turbo Turbo aerokit
29	IXAG	Carrera - Heckspoiler Carrera - rear spoiler
29	IXAH	Aerokit Carrera 4S Carrera 4S aerokit
29	IXAJ	Schwellerblenden lackiert Painted sill covers
29	IXCA	Nutleiste (3-teilig) Sportsilber Dashboard trim strip (3-part) sports seats
29	IXCB	Instrumentenabdeckung Unterteil Sportsilber Instrument surround sports seats
29	IXCC	Seitendüsen Sportsilber Side air vents sports seats
29	IXCD	Mitteldüsenträger Sportsilber Center air vent bracket sports seats
29	IXCE	Mittelkonsole hinten Sportsilber Rear center console sports seats
29	IXCG	Sportsitzrückenlehne Alu-Optik Sports seat backrest in Aluminium-Look finish
29	IXCH	Seiten-/Mitteldüsenlamellen Sportsilber Side/center air vent slats sport seats
29	IXCK	Mittelkonsole hinten Galvanosilber Rear center console in Galvano Silver
29	IXCL	Instrumentenabdeckung Unterteil Galvanosilber Instrument surround in Galvano Silver
29	IXCM	Überrollbügel in Galvanosilber Roll-over bar in Galvano Silver
29	IXCN	Seitendüsen in Alu-Optik (997) Side air vents in Aluminium-Look finish (997)
29	IXCY	Mitteldüse Alu-Optik Center air vent in Aluminium-Look finish
29	IXCZ	Schalwegverkürzung Switch travel shortening
29	IXD9	Felgenstern in Wagenfarbe lackiert Wheel painted in body colour
29	IXEA	Passivhörer in Leder Passive handset in leather
29	IXE8	Schalteknopf Alu/Wurzelholz Dunkel/Leder Gear lever knob aluminium/dark burr maple/leather
29	IXE9	Handbremshebel Alu/Wurzelholz Dunkel/Leder Handbrake lever aluminium/dark burr maple/leather
29	IXFD	Instrumenten-Zifferblatt lackiert in sandbeige Instrument dials in sand beige
29	IXFE	Instrumenten-Zifferblatt lackiert in terrakotta Instrument dials in terrakotta
29	IXFF	Instrumenten-Zifferblatt lackiert in braun/natur Instrument dials in brown/natural
29	IXFG	Instrumenten-Zifferblatt lackiert in indischrot Instrument dials in guards red
29	IXFH	Instrumenten-Zifferblatt lackiert in speedgelb Instrument dials in speedyellow
29	IXFJ	Instrumenten-Zifferblatt lackiert in carraraweiß Instrument dials in carrara white
29	IXGB	Zierblende Schalttafel, Carbon Decorative dashboard trim, carbon
29	IXGC	Schalttafel Carbon/Alcantara Dashboard carbon/Alcantara
29	IXGD	Handbremshebel Carbon/Alcantara Parking brake handle carbon/Alcantara

MXI KAT29

- 29 IXGE Einsatz Griffmulde, Carbon
Handle recess insert, carbon
- 29 IXJL Luftseitendüse Makassar
Macassar side air vent
- 29 IXJM Luftseitendüse Platane
Sycamore side air vent
- 29 IXJN Mitteldüse Makassar
Macassar center air vent
- 29 IXJP Mitteldüse Platane
Sycamore center air vent
- 29 IXJR Defrosterblende Makassar
Macassar windscreen defroster panel
- 29 IXJS Defrosterblende Platane Sycamore
Windscreen defroster panel
- 29 IXJT Mittelkonsole hinten Makassar
Macassar rear center console
- 29 IXJU Mittelkonsole hinten Platane
Sycamore rear center console
- 29 IXJ4 Rosette für Zündschloss Lederbezogen
Leather cover for ignition lock surround
- 29 IXKB Luftseitendüse Wurzelholz/Ahorn hell
Side air vent in light burr maple
- 29 IXKC Luftseitendüse Wurzelholz/Ahorn dunkel
Side air vent in dark burr maple
- 29 IXKD Luftseitendüse carbon
Side air vent in carbon
- 29 IXKG Defrosterblende Wurzelholz/Ahorn hell, Leder
"Windscr. defr. panel in light burr maple; leather"
- 29 IXKH Defrosterblende Wurzelholz/Ahorn dunkel, Leder
"Windscr. defr. panel in dark burr maple; leather"
- 29 IXKJ Defrosterblende Carbon/Leder
Defroster trim in carbon/leather
- 29 IXKL Lautsprecherabdeckungen in Leder
Leather speaker covers
- 29 IXKM Lautsprecherabdeckungen Wurzelholz/Ahorn hell
Speaker covers in light burr maple
- 29 IXKN Lautsprecherabdeckungen Wurzelholz/Ahorn dunkel
Speaker covers in dark burr maple
- 29 IXKP Lautsprecherabdeckungen in Carbon
Carbon speaker covers
- 29 IXKR Mitteldüsenträger Wurzelholz/Ahorn hell
Center air vent bracket in light burr maple
- 29 IXKS Mitteldüsenträger Wurzelholz/Ahorn dunkel
Center air vent bracket in dark burr maple
- 29 IXLA Boxster-Endrohr
Boxster tail pipe
- 29 IXLF Sportabgasanlage
Sports exhaust system
- 29 IXMA Himmel mit Leder bezogen
Rooflining in leather
- 29 IXME Mittelkonsole hinten lackiert
Rear section of centre console painted
- 29 IXMF Mittelkonsole vorn inklusive 2 Ablagen, Leder
Front center console incl. 2 storage bins, leather
- 29 IXMJ Mittelkonsole hinten Carbon
Rear section of centre console in carbon
- 29 IXMK Überrollbügel in Exterieurfarbe
Roll-over bar in exterior color
- 29 IXML Mittelkonsole hinten
Wurzelholz Ahorn hell Rear center console in light burr maple
- 29 IXMP Sonnenblende Leder, 2 Make-up-Spiegel
beleuchtet
Leather sun visor, 2 lit make-up mirrors
illuminated
- 29 IXMR Sonnenblende Leder, 2 Make-Up-Spiegel
beleuchtet Leder
Sun visor in leather,
2 illuminated vanity mirrors,

MXI KAT29

29	I XMZ	Mittelkonsole hinten Leder Rear section of centre console in leather
29	I XNB	Mittelkonsole hinten Wurzelholz Ahorn dunkel Rear center console in dark burr maple
29	I XNG	Instrumentenabdeckung Unterteil Leder Instrument surround in leather
29	I XNN	Mitteldüsenträger in Leder Center air vent bracket in leather
29	I XNR	Mitteldüsenträger Carbon Carbon center air vent bracket
29	I XNS	Lenkstock-Verkleidung 4-teilig Leder Leather steering column trim, 4-part
29	I XNU	Zierleiste (Nut) in Leder Leather trim strip (dashboard)
29	I XNV	Zierleiste (Nut) Wurzelholz/Ahorn hell Trim strip (dashboard) in light burr maple
29	I XNW	Zierleiste (Nut) Wurzelholz/Ahorn dunkel Trim strip (dashboard) in dark burr maple
29	I XNX	Zierleiste (Nut) in Carbon Carbon trim strip (dashboard)
29	I XN3	Luftseitendüse Armaturenbrett Leder Dashboard side air vent in leather
29	I XPA	3-Speichen Sportlenkrad, Leder Interieurfarbe 3-spoke sports steering wheel in leather interior color
29	I XPB	3-Speichen Sportlenkrad, Wurzelholz/Ahorn hell, Leder 3-spoke sports steering wheel, light burr maple, leather
29	I XPC	3-Speichen Sportlenkrad, Wurzelholz/Ahorn dunkel, Leder 3-spoke sports steering wheel, dark burr maple, leather
29	I XPD	3-Speichen Sportlenkrad, Carbon/Leder 3-spoke sports steering wheel, carbon/leather
29	I XPG	3-Speichen Sportlenkrad, Sportsilber 3-spoke sports steering wheel, sports seats
29	I XPV	Multi-funktions-Lenkrad Galvanisilber Multi-function steering wheel rim, Galvano Silver
29	I XPW	Instrumentenabdeckung Unterteil Wurzelholz/Ahorn Hell Instrument surround in light burr maple
29	I XPX	Instrumentenabdeckung Unterteil Wurzelholz/Ahorn Dunkel Instrument surround in dark burr maple dark
29	I XPY	Instrumentenabdeckung Unterteil Carbon Carbon instrument surround
29	I XRB	Sport-Classic-2 Rad 18" 18" Sport Classic II wheel
29	I XRC	Sport-Techno Rad 18" 18" SportTechno wheel
29	I XRL	Sport-Design-Rad 18" 18" SportDesign wheel
29	I XRN	Distanzscheiben 17 mm, hinten 17-mm spacers, rear
29	I XRP	Distanzscheiben 5 mm, vorn/hinten 5-mm spacers, front/rear
29	I XRR	Carrera Sport Rad 19" 19-in. Carrera Sport wheel
29	I XSA	Sportsitzrückenlehne lackiert Painted sports seat backrest
29	I XSB	Sportsitzrückenlehne in Leder Leather sports seat backrest
29	I XSC	Porsche Wappen geprägt in Kopfstütze Porsche crest embossed in headrest
29	I XSD	Sitzbedienelemente in Leder Front seat controls in leather

MXI KAT29

29	IXSE	Schalensitz links Bucket seat, left
29	IXSF	Schalensitz rechts Bucket seat, right
29	IXSG	Rennschalensitz links Racing bucket seat, left
29	IXSH	Sicherheitsgurte in Silber Silver safety belts
29	IXSJ	6-Punkt-Gurte 6-point harness
29	IXSL	6-Punkt-Sicherheitssbügel 6-point safety catch
29	IXSM	Rennsport-Sicherheitskäfig Racing safety cage
29	IXSN	Entfall hintere Sitzanlage Omission of rear seats
29	IXSR	Schalensitz rechts, Rückseite Carbon Carbon back for bucket seat, right
29	IXSS	Schalensitz links, Rückseite Carbon Carbon back for bucket seat, left
29	IXSU	Abgepolsterter Sitz Upholstered seat
29	IXSW	Sicherheitsgurte in Maritimblau Maritime Blue safety belts
29	IXSX	Sicherheitsgurte in Indischrot Seat belts in guards red
29	IXSY	Sicherheitsgurte in Speedgelb Seat belts in speed yellow
29	IXTG	Schwellerabdeckung innen Leder Inner door sills in leather
29	IXTJ	Türtafelteile Wurzelholz/Ahorn hell Door panel parts in light burr maple
29	IXTK	Türtafelteile Wurzelholz/Ahorn dunkel Door panel parts in dark burr maple
29	IXTL	Türtafelteile Carbon Door features in carbon
29	IXTR	Türtafelteile Alu-Optik Door panel parts in aluminum-look finish
29	IXTT	Türtafelteile Makassar Macassar door panel parts
29	IXTU	Türtafelteile Platane Sycamore door panel parts
29	IXTV	Türtafelteile Leder Leather door panel parts
29	IXTW	Türtafelteile Galvanosilber Door panel parts in galvano silver
29	IXVM	Mitteldüse in Leder Leather center air vent
29	IXVP	Zierleiste inklusive Abdeckung Cupholder in Leder Trim strip including cupholder cover in leather
29	IXVR	Seiten-/Mitteldüsen in Leder Side/center air vent in leather
29	IXV1	Defrosterblende Lederbezogen Defroster trim in leather
29	IXXZ	Fussstütze Footrest
29	IXX1	Fussmatten, Schriftzug, Leder eingefasst Floor mats, logo, leather border
29	IXX2	Fussraumbelichtung Illuminated footwell
29	IXY5	Kulisse Tiptronic-Wählhebel in Leder Tiptronic gear selector gate in leather
29	IXZB	Mitteldüse in Carbon Carbon center air vent
29	IXZD	Abdeckung Innenleuchte in Leder Interior light surround in leather
29	IX45	Instrumenten-Zifferblatt lackiert in Interieurfarbe Instrument dial in interior color

MXI KAT29

- 29 IX46 Tiptronic-Wählhebel in Alu/Leder
Tiptronic selector lever in aluminium/leather
- 29 IX47 Schaltnopf Carbon/Alu/Leder
Gear lever knob in carbon/leather
- 29 IX48 Tiptronic-Wählhebel in Carbon/Alu
Tiptronic selector lever in carbon/aluminium
- 29 IX50 Leistungssteigerung 331/340 kW,
Powerkit 331/340 kw
- 29 IX51 Leistungssteigerung 250 kW
Powerkit 250 kw
- 29 IX54 Edelstahlendrohre
Stainless steel tail pipes
- 29 IX58 Handbremshebel Carb/Alu/Leder
Handbrake lever in carbon/leather
- 29 IX65 Tiptronic-Wählhebel Wurzelholz Hell/Alu
Tiptr. sel. lever in light burr maple/aluminium
- 29 IX66 Tiptronic-Wählhebel Wurzelholz Dunkel/Alu
Tiptr. sel. lever in dark burr maple/aluminium
- 29 IX69 Einstiegsblenden Carbon, Schriftzug
Door entry guards in carbon with logo
- 29 IX70 Einstiegsblenden Edelstahl, Schriftzug
Door entry guards in stainless steel with logo
- 29 IX71 Instrumenten-Zifferblatt Lackiert/Alufarbe
Instrument dial painted/aluminium-look finish
- 29 IX72 Schaltnopf Alu/Wurzelholz Hell/Leder
Gear lever knob aluminium/light burr maple/leather
- 29 IX73 Sportfahrwerk Turbo,
Turbo sports suspension
- 29 IX74 Sportfahrwerk (exklusiv)
Sports suspension (exclusive)
- 29 IX75 Sperrdifferential (exklusiv)
Differential lock (exclusive)
- 29 IX76 Schwellerverkleidungen links/rechts
Inner door sill guard left/right
- 29 IX91 Handbremshebel Alu/Wurzelholz Hell/Leder
Handbrake lever aluminium/light burr maple/leather
- 29 IX97 Schaltnopf Alu/Leder
Gear lever knob in aluminium/leather
- 29 IX98 Handbremshebel Alu/Leder
Handbrake lever in aluminium/leather
- 29 IX99 Naturleder
Natural leather
- 29 I003 Renn-Sicherheitsrichtung
Racing safety devices
- 29 I004 GT3 RS
GT3 RS
- 29 I022 Zifferblätter Kombiinstrument in schwarz
Black-Coloured instrument dials, instrument cluster
- 29 I023 Zifferblätter Kombiinstrument in silber
Silver -coloured instrument dials, instrument cluster
- 29 I024 Griechenlands-Ausführung
Version for Greece
- 29 I025 Zifferblätter Stoppuhr in schwarz
Black-coloured instrument dials, stopwatch
- 29 I026 Zifferblätter Stoppuhr in silber
Silver -coloured instrument dials, stopwatch
- 29 I029 Serienfahrwerk
Standard chassis
- 29 I030 Sportfahrwerk
Sport-type running gear
- 29 I032 Langstreckenfahrwerk
Touring suspension
- 29 I034 Italien - Ausführung
Version for Italy
- 29 I058 Pralldämpfer vorn und hinten
Impact absorbers front and rear
- 29 I061 Grossbritannien-Ausführung
Version for Great Britain

MXI KAT29

29	I 062	Schweden-ausführung Version for Sweden
29	I 063	Luxemburg-Ausführung Version Luxemburg
29	I 064	Niederlande-Ausführung Version for Netherlands
29	I 065	Dänemark-Ausführung Version for Denmark
29	I 066	Norwegen-Ausführung Version for Norway
29	I 067	Finnland-Ausführung Version for Finland
29	I 068	PAP Rechtslenker-Ausführung PAP right-hand drive version
29	I 069	Sonstige-Länderausführung Other country version
29	I 071	EU-Länderausführung EU country version
29	I 072	Mexico-Ausführung Version for Mexico
29	I 073	Russland-Ausführung Version for Russia
29	I 074	PAP Linkslenker-Ausführung PAP left-hand drive version
29	I 098	Linkslenker-Ausführung Left-hand drive version
29	I 099	Rechtslenker-Ausführung Right-hand drive version
29	I 111	Österreich-Ausführung Version for Austria
29	I 113	Kanada - Ausführung Version for Canada
29	I 114	Taiwan - Ausführung Version for Taiwan
29	I 119	Spanien - Ausführung Version for Spain
29	I 124	Frankreich - Ausführung Version for France
29	I 126	Beschreibung französisch Control and indications in french lettering
29	I 127	Beschreibung schwedisch Control and indications in schwedisch
29	I 130	Beschreibung englisch Control and indications in english lettering
29	I 150	Betrieb mit verbleitem Kraftstoff Operates with leaded gas
29	I 159	Leistungsreduzierter Motor 155 kW/211 PS Curbed engine 155 kw/211 bhp
29	I 193	Japan-Ausführung Version for Japan
29	I 194	Batterie 60 Ah Battery 60 ah
29	I 195	Batterie 70 Ah Battery 70 ah
29	I 196	Batterie 80 Ah Battery 80 ah
29	I 197	Stärkere Batterie Stronger battery
29	I 198	Stärkerer Anlasser (1,7 kW) Enhanced starter motor (1.7 kw)
29	I 199	Batterietrennschalter Battery disconnecti on swi tch
29	I 210	Kennzeichenhalter Ausführung 2 Licence plate holder version 2
29	I 211	Kennzeichenhalter Ausführung 3 Licence plate holder version 3
29	I 215	Saudi-Arabien - Ausführung Version for Saudi Arabia

MXI KAT29

- 29 I 218 Kennzeichenhalter Ausführung 4
Licence plate holder version 4
- 29 I 219 Ausgleichsgetriebe
Differential
- 29 I 220 Sperrdifferential 40 %
Locking differential 40 %
- 29 I 225 Belgien-Ausführung
Version for Belgium
- 29 I 249 Tiptronic-Getriebe
Tiptronic transmission
- 29 I 265 Automatisch abblendbarer Innenspiegel
mit Regensensor
Automatic anti-dazzle interior mirror with
rain sensor
- 29 I 266 Automatisch abblendbarer Aussenspiegel
Automatic anti-dazzle exterior mirror
- 29 I 267 Automatisch abblendbarer
Innen und Aussenspiegel
Automatically dimmable interior
and exterior mirror
- 29 I 268 Regensensor
Rain sensor
- 29 I 270 Aussenspiegel für Fahrerseite -plan-,
elektrisch verstell- und beheizbar
Outside mirror -plan- driver's side,
electrically adjustable and heatable
- 29 I 271 Aussenspiegel für Fahreseite -asphärisch-,
elektrisch verstell- und beheizbar
Outside mirror -aspherical- driver's side,
electrically adjustable and heatable
- 29 I 273 Aussenspiegel,
elektrisch verstell- und beheizbar
Outside mirror,
electrically adjustable and heatable
- 29 I 274 Make-Up Spiegel beleuchtet
Make-up mirror illuminated
- 29 I 277 Schweiz-Ausführung
Version for Switzerland
- 29 I 288 Scheinwerfer-Reinigungsanlage
Headlamp washer
- 29 I 301 Getriebeübersetzung lang
Transmission ratio long
- 29 I 325 Südafrika/Neuseeland-Ausführung
Version for South Africa/New Zealand
- 29 I 335 3-Punkt-Automatik-Gurte, hinten
Automatic safety belt, 3-point, rear
- 29 I 338 Heck-Antrieb
Rear-wheel drive
- 29 I 339 Allrad-Antrieb
4-wheel drive
- 29 I 342 Sitzheizung, links u. rechts
Seat heating system, left/right seat
- 29 I 346 Radzierdeckel für Felgen silber lackiert
Wheel hub covers for silver painted rims
- 29 I 369 Basissitz links
Series seat, left
- 29 I 370 Basissitz rechts
Series seat, right
- 29 I 375 Sportsitz, Lehenschale, links
Sportseat, backrest shell, left
- 29 I 376 Sportsitz, Lehenschale, rechts
Sportseat, backrest shell, right
- 29 I 377 Sportsitz, Lehenschale, links,
elektrisch verstellbar
Sportseat, backrest shell, left,
electrically adjustable

MXI KAT29

- 29 I 378 Sportsitz, Lehnenschale, rechts,
elektrisch verstellbar
Sportseat, backrest shell, right,
electrically adjustable
- 29 I 384 Schalensitz Carrera GT links
Carrera GT bucket seat, left
- 29 I 385 Schalensitz Carrera GT rechts
Carrera GT bucket seat, right
- 29 I 392 Carrera Rad 17"
17" Carrera wheel
- 29 I 393 Rad Boxster-2 17" (987)
17" Boxster II wheel (987)
- 29 I 397 Rad Boxster S 18" (987)
18" Boxster II wheel (987)
- 29 I 398 Cayman Rad 17"
17-in. Cayman wheel
- 29 I 401 Cayman S Rad 18"
18-in. Cayman S wheel
- 29 I 402 Carrera 3 Rad 18"
Carrera 3 wheel 18"
- 29 I 403 Carrera S Rad 19"
Carrera S wheel 19"
- 29 I 404 Turbo-1 Rad 19"
19" Turbo-1 wheel
- 29 I 405 Carrera Classic Rad 19"
Carrera classic wheel 19"
- 29 I 406 Carrera GT Rad 19"/20"
Carrera GT wheel 19"/20"
- 29 I 407 Sport-Design Rad 19"
Sportdesign wheel 19"
- 29 I 410 Turbo-2 Rad 18"
18" Turbo-2 wheel
- 29 I 411 Carrera-Rad 18"
18" Carrera-wheel
- 29 I 415 Turbo-Look-2 Rad 18"
18" Turbo-Look II wheel
- 29 I 416 Rad GT3 18"
18" GT3 wheel
- 29 I 418 Rad Turbo-2 18" GT-Silber
18" Turbo II wheel in GT Silver
- 29 I 420 GT3 Rad 19"
GT3 wheel 19"
- 29 I 424 CD-Ablage
Cd compartment
- 29 I 425 Heckscheibenwischer
Rear window wiper
- 29 I 426 Ohne Heckscheibenwischer
Without rear window wiper
- 29 I 431 Multifunktionslenkrad, Touch & Feel
Multi-function steering wheel, touch & feel
- 29 I 432 Lenkrad mit Tiptronic-Bedienung
Steering wheel with tiptronic control
- 29 I 433 Sportlenkrad GT3, Alcantara
Sports steering wheel GT3, Alcantara
- 29 I 435 Sportlenkrad
Sports steering wheel
- 29 I 436 3-Speichen-Airbaglenkrad
3-spoke airbag steering wheel
- 29 I 437 Komfortsitz links,
elektrisch verstellbar
Comfort seat left,
electrically adjustable
- 29 I 438 Komfortsitz rechts,
elektrisch verstellbar
Comfort seat right,
electrically adjustable
- 29 I 439 Elektrische, Verdeckbetätigung
Electrical roof catch

MXI KAT29

29	I 440	Antennen-Diversity Antenna diversity
29	I 441	Radiovorbereitung Prepared for radio
29	I 444	Diebstahlsicherung, Radschrauben "THATCHAM" Anti-theft lock, wheel bolts "THATCHAM"
29	I 446	Radzierdeckel konkav mit farbigem Wappen Concave hub cap with coloured escutcheon
29	I 447	Notrad Emergency wheel
29	I 448	Bremsbelag; Sportausführung Brake pad; sport version
29	I 450	Keramik-Bremse (PCCB) Ceramic brake (PCCB)
29	I 451	Multifunktionslenkrad, makassar, Touch & Feel Multi-function steering wheel, makassar, touch & feel
29	I 452	Multifunktionslenkrad, platane, Touch & Feel Multi-function steering wheel, sycamore wood, touch & feel
29	I 453	Multifunktionslenkrad, carbon, Touch & Feel Multi-function steering wheel, carbon, touch & feel
29	I 454	Automatische Geschwindigkeitsregulierung Automatic speed control
29	I 459	3-Speichen-Airbaglenkrad, Touch & Feel 3-spoke airbag steering wheel, touch & feel
29	I 460	Sportlenkrad, Touch & Feel Sports steering wheel, touch & feel
29	I 461	Stabantenne Rod antenna
29	I 465	Nebelschleuchte links Rear fog light, left
29	I 466	Nebelschleuchte rechts Rear fog light, right
29	I 475	Elektrische Dämpferregelung "PASM" "PASM" electronic damper control
29	I 476	Porsche Stability Management (PSM) Porsche stability management (PSM)
29	I 479	Australien - Ausführung Version for Australia
29	I 480	6-Gang Schaltgetriebe 6-speed manual transmission
29	I 482	Reifendruckkontrolle, RDK 433 Mhz Tyre pressure monitoring tpm, 433 mhz
29	I 483	Reifendruckkontrolle, RDK 315 Mhz 315-mhz tpm, tyre pressure monitoring
29	I 484	USA - Ausführung Version for USA
29	I 488	Beschreibung deutsch Inscriptions in german language
29	I 490	Klangpaket "ASK" Sound system "ASK"
29	I 492	Scheinwerfer für Linksverkehr For left-hand traffic
29	I 498	Entfall der Modellbezeichnung am Heck Without vehicle-type-lettering on rear end
29	I 499	Ausführung für die Bundesrepublik Deutschland Version for Germany
29	I 501	Car-Cover Car cover

MXI KAT29

- 29 I 509 Feuerlöscher
Fire extinguisher
- 29 I 513 Lordosenstütze rechter Sitz
Back-support (lordose) right seat
- 29 I 524 Wegfahrversicherung,
Zentralverriegelung, 433 MHz
Immobilizer,
central locking, 433 mhz
- 29 I 525 Wegfahrversicherung,
Zentralverriegelung, 315 MHz
Immobilizer,
central locking, 315 mhz
- 29 I 532 Entfall Fernbedienung Alarmanlage
Deleted remote control anti-theft device
- 29 I 533 Entfall Funkbetätigung Verdeck
Radio convertible-top operation omitted
- 29 I 534 Diebstahlsicherungsanlage 433 Mhz
Theft security system 433 mhz
- 29 I 535 Diebstahlsicherungsanlage 315 Mhz
Theft security system 315 mhz
- 29 I 536 Alarmsirene und neigungsgeber
Alarm siren and tilt sensor
- 29 I 537 Sitzpositions-Steuerung für
Komfortsitz, links
Seating position control for
comfort seat, left
- 29 I 538 Sitzpositions-Steuerung für
Komfortsitz, rechts
Seating position control
for comfort seat, right
- 29 I 539 Mechanische Sitzhöhenverstellung links
Mechanical seat-height adjustment left
- 29 I 540 Mechanische Sitzhöhenverstellung rechts
Mechanical seat-height adjustment right
- 29 I 544 Diebstahlsicherung ohne Infrarot-
Überwachung 433 MHz
Anti-theft protection without infrared
Monitoring 433 mhz
- 29 I 545 Diebstahlsicherung ohne Infrarot-
Überwachung 315 MHz
Anti-theft protection without infrared
Monitoring 315 mhz
- 29 I 549 Dachtransportsystem
Roof rack system
- 29 I 550 Hardtop
Hardtop
- 29 I 551 Windstop
Wind deflector
- 29 I 553 USA-Canada-Ausführung
Version for USA, Canada
- 29 I 554 Bugspoilerlippe beigelegt
Front spoiler lip included
- 29 I 555 Sicherheitsgurte in Schwarz
Black safety belts
- 29 I 560 Advanced Airbag
Advanced airbag
- 29 I 562 Airbag Fahrer- und Beifahrerseite
Airbagdriver's side and front passenger's side
- 29 I 563 Seitenairbag
Side airbag
- 29 I 566 Nebelscheinwerfer weiss
Fog-headlamps, white
- 29 I 567 Frontscheibe im oberen Bereich
stark eingefärbt
Windshield tinted, upper part
darker coloured
- 29 I 568 Windschutzscheibe ohne Bandfilter
Windscreen without shade band

MXI KAT29

29	I 571	Aktivkohlefilter Activated charcoal filter
29	I 572	Klimaanlage manuell Manual air-conditioning system
29	I 573	Klima-Anlage Air conditioner
29	I 574	Ohne Klimaanlage Without air conditioner
29	I 575	Kofferraumkühlung Luggage compartment cooling system
29	I 581	Mittelkonsole vorn Center console front
29	I 584	Ablagebox auf Motordeckel Storage box on engine cover
29	I 586	Lordosenstütze linker Sitz Back-support (lordose) left seat
29	I 601	Xenon-Licht Xenon light
29	I 602	Hochgesetzte Bremsleuchte Araised stop lamp
29	I 606	Tagfahrlicht Daytime running lamp
29	I 607	Garagentoröffner "Homelink" 315Mhz Garage door opener "homelink" 315Mhz
29	I 608	Garagentoroeffner "Homelink" 433Mhz Garage door opener "homelink" 433mhz
29	I 610	DVD Navigation "Paket Europa" DVD navigation "paket Europa"
29	I 611	DVD Navigation Südafrika DVD navigation South Africa
29	I 612	DVD Navigation mittlerer Osten DVD navigation middle east
29	I 613	DVD Navigation Australien DVD navigation australia
29	I 614	DVD Navigation Asien-Pazifik DVD navigation asia-pacific
29	I 615	DVD Navigation, Nordamerika DVD navigation system, North America
29	I 616	DVD, Navigation Russland DVD, Navigation Russia
29	I 618	Telefonvorbereitung Preparation of telephone installation
29	I 620	E-Gas E-accelerator
29	I 621	12 Volt Steckdose, Beifahrerseite, Fussraum 12-V socket, passenger's side, footwell
29	I 625	Porsche "entry and drive""KESSY" "KESSY" porsche entry and drive
29	I 635	Einparkhilfe Parking assistant
29	I 639	Sport-Chrono-Paket Sports chrono package
29	I 640	Sport-Chrono-Paket plus Sports chrono package plus
29	I 641	elektronisches Fahrtenbuch electronic logbook
29	I 650	Elektrisches Schiebedach Electrical sliding roof
29	I 651	Elektrischer Fensterheber Electric window opener
29	I 652	Ohne Schiebe-Hubdach Without sliding/tilting roof
29	I 657	Servolenkung Power assisted steering
29	I 659	Bordcomputer Computer
29	I 660	OBD 2 OBD 2

MXI KAT29

- 29 1661 Verschärftes Abgaskonzept
Stricter emission-control concept
- 29 1664 ORVR
ORVR
- 29 1665 PCM2 Grundmodul inklusive Radio
PCM2 basic module including radio
- 29 1666 PCM2 Telefon (GSM)
PCM2 telephone (GSM)
- 29 1668 PCM2 Telefonbedienhoerer
PCM2 telephone handset
- 29 1670 PCM2 Navigation
PCM2 navigation
- 29 1672 PCM-2 Navigation Offroad
PCM-2 Offroad navigation
- 29 1675 Ohne Radio Vorbereitung (Japan-Navi)
Without radio preparation (Japan nav system)
- 29 1680 Soundpaket BOSE
BOSE sound package
- 29 1685 Geteilte Rücksitzanlage
Rear seats, divided
- 29 1689 CD-Wechsler Vorbereitung
Preparation of CD-changer
- 29 1690 CD-Radio "Porsche Online Pro"
CD-radio "Porsche online pro"
- 29 1692 CD-Wechsler "Porsche"
CD-changer "Porsche"
- 29 1694 CD-Radio "PORSCHE CDR 24"
CD-radio "PORSCHE CDR 24"
- 29 1697 CD-Radio "Porsche CDR 23"
CD-Radio "Porsche CDR-23"
- 29 1796 Ganzlederausstattung Naturlleder
Full leather trim natural leather
- 29 1798 Ganzlederausstattung Sonderleder
Full leather trim special leather
- 29 1799 Ganzlederausstattung nach Wahl
Full leather trim by choice
- 29 1801 Holzpaket Makassar, dunkel seidenmatt
Makassar wood package, dark dulled satin
- 29 1802 Holzpaket Platane, hell seidenmatt
Sycamore wood package, light dulled satin
- 29 1803 Carbonpaket
Carbon package
- 29 1804 Exterieur-Paket Carbon GT2
GT2 carbon exterior package
- 29 1805 Lifestyle-Paket
Lifestyle package
- 29 1810 Fussmatten
*
- 29 1936 Sitzbezüge hinten,
Leder
Seat covers rear,
leather
- 29 1937 Sitzbezüge hinten,
Kunstleder
Seat covers rear,
leatherette
- 29 1939 Sitzbezüge hinten,
Raffleder
Seat covers rear,
draped leather
- 29 1946 Sitzbezüge vorne,
Leder/Leder/Kunstleder
Seat covers front,
leather/leather/leatherette
- 29 1950 Sitzbezüge vorne,
Alcantara/Kunstleder/Kunstleder
Seat covers front
Alcantara/leather/leather

MXI KAT29

29	1951	Sitzbezüge vorne, Alcantara/Leder/Leder Seat covers front, Alcantara/leather/leather
29	1970	Innenaustattung zwei farbig Two-tone interior
29	1971	Naturleder mit "TORO"-Prägung "TORO" embossed leather
29	1981	Leder-Ausstattung, ohne Sitzbezug Leather equipment, without seat covers
29	1982	Sitzbezüge vorne, Raffleder/Leder/Leder Seat covers front, draped leather/leather/leather
29	1983	Sitzbezüge vorne, Leder Seat covers front, leather
29	1985	Sitzbezüge, Leder/Leder/Kunstleder, 2 Seat covers, leather/leather/leatherette, 2
29	1990	Sitzbezüge vorne, Stoff/Stoff/Kunstleder Seat covers front, cloth/cloth/leatherette
29	1991	Airbagmodul in Leder Steering wheel airbag module in leather
29	1998	Leder, Natur Leather, nature
29	1999	Innenraumüberwachung Sensor für Lederfarbe nach Wahl Passenger compartment monitoring sensor for leather colour of choice

PORSCHE

PET V-Pages

PORSCHE

Model	Year	MG	SG	Illustration	VIN No.	Update		
gt3-2	07	9	11	911-10		207	17:24	25.10.2006

FR203

VEHICLE TYPE	MY	VIN	ENGINE TYPE
997 COUPE GT3	07 7	997S7 90061>92000	M97.76 305 KW
997 COUPE GT3 (USA.CDN.MEX.BR)	07 7	997S7 92061>93000	M97.76 305 KW

PORSCHE

PET V-Pages

PORSCHE

Model	Year	MG	SG	Illustration	VIN No.	Update		
gt3-2	07	9	11	911-10		207	17:24	25.10.2006

MR203

VEHICLE TYPE
997 GT3

ENGINE

TYPE MY ENGINE NO. TECHNICAL DATA
M97.76 07 7 617 23501>26000 6ZYL/3,6L /305 KW

PORSCHE

PET V-Pages

PORSCHE

Model	Year	MG	SG	Illustration	VIN No.	Update		
gt3-2	07	9	11	911-10		207	17:24	25.10.2006

GR203

VEHICLE TYPE

TYPE

MY

TRANSMISSION NO.

TECHNICAL DATA

997 GT3

G97.90 07 7 G9790 2 002001>999999 6-GANG