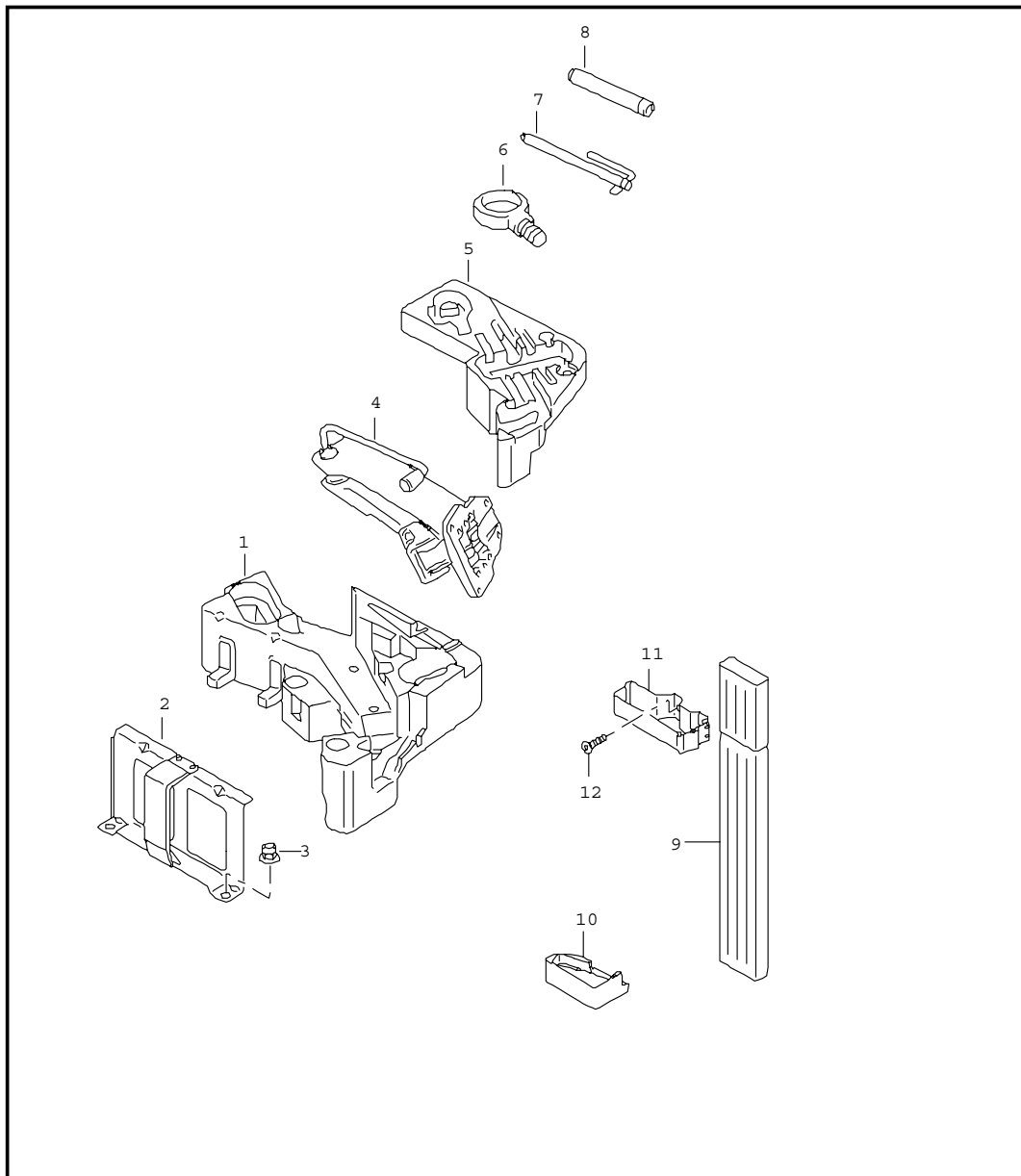
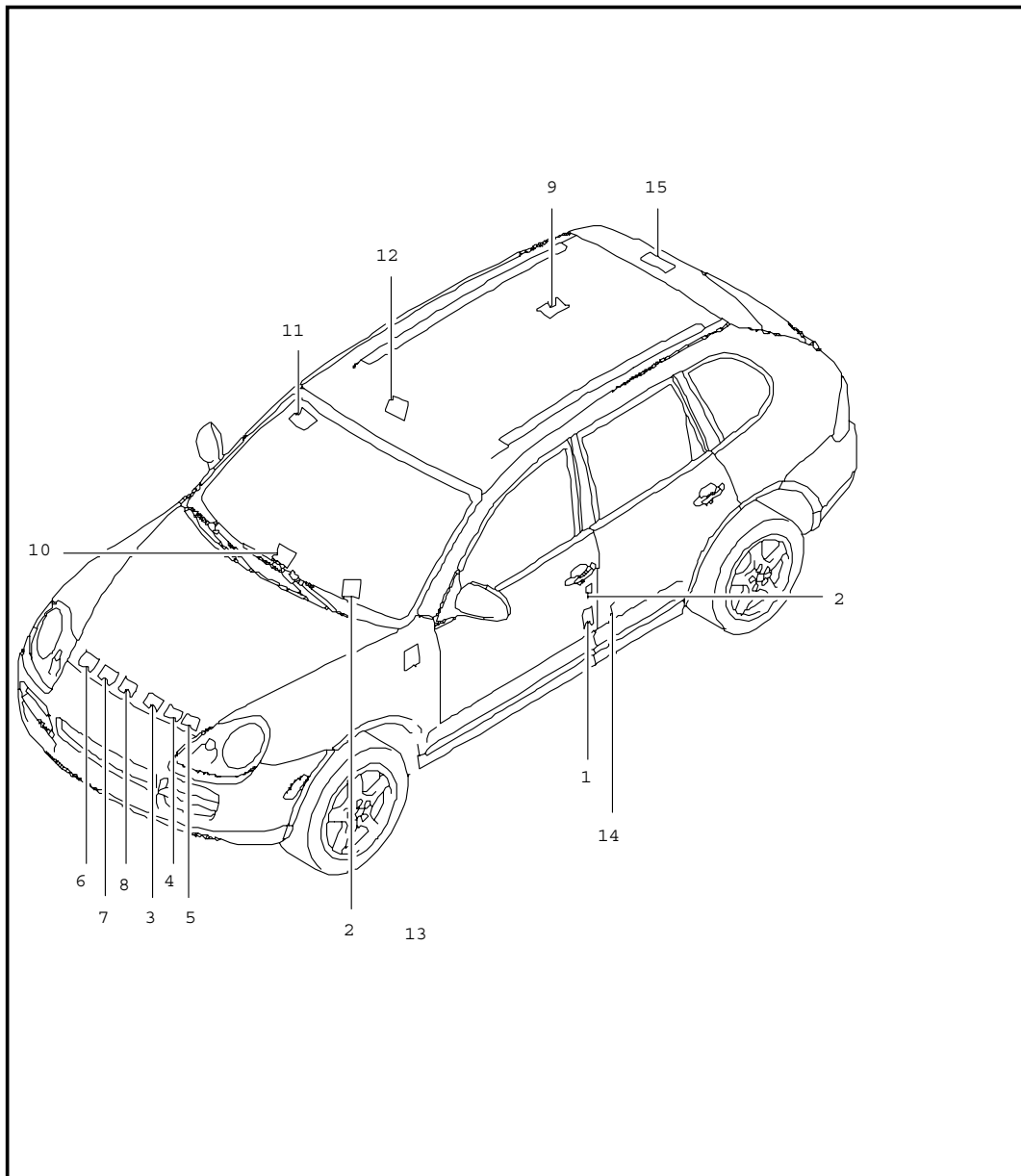


Model	Year	MG	SG	Illustration	Restrictions	Update	18:20	16.08.2006	PORSCHE	PET	PORSCHE
9pa	06	0	01	1-00		203					



Pos	Part Number	Name	Remarks	Qty	Model
		tool jack			
1	955 721 101 00	mounting jack		1	
2	955 721 111 00	support		1	
3	N 102 058 01	hexagon nut M 6		2	
4	955 721 211 00	jack		1	
(4)	955 721 211 01	jack		1	(AUS)
5	955 721 102 00	mounting tool		1	
6	955 721 151 00	towing lug		1	
-	955 721 153 00	extractor for hub cap		1	
7	955 721 135 00	socket wrench release headlamp rear light		1	
8	999 571 074 30	assembly aux. material for wheels		1	
9	955 721 722 00	warning triangle		1	
10	955 721 723 00	mounting warning triangle		1	
11	955 721 724 00	support warning triangle		1	
12	N 908 183 01	pan-head screw M 6 X 9		2	
-	993 722 041 00	first-aid kit		1	
		- - - E N D - - -			

Model	Year	MG	SG	Illustration	Restrictions	Update	18:20	16.08.2006	PORSCHE	PET	PORSCHE
9pa	06	0	01	1-05		203					

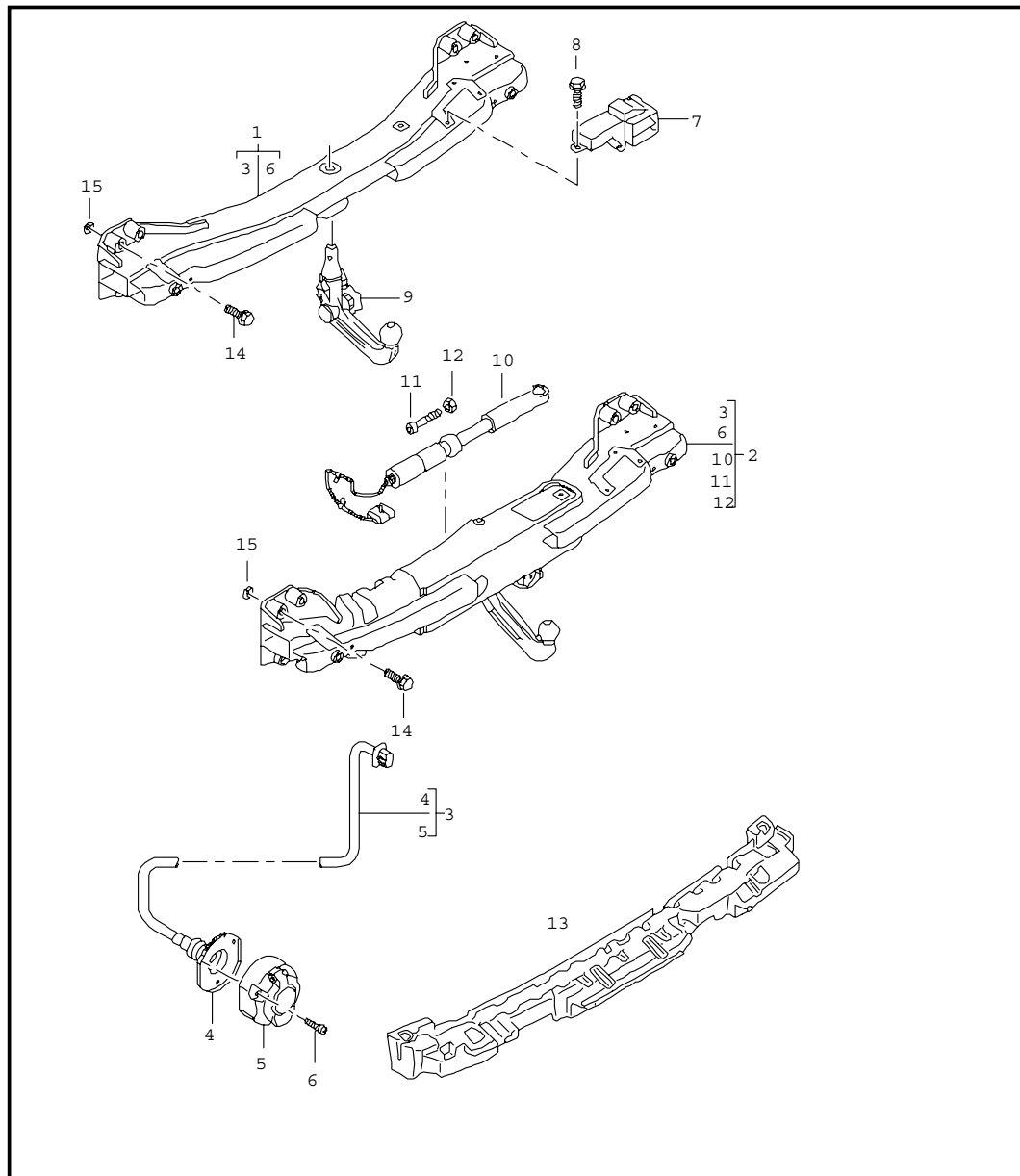


Pos	Part Number	Name	Remarks	Qty	Model
		stickers			
		stickers			
		tyre pressure			
1	A 955 701 287 01	sticker	-04	1	ID9J
1	955 701 287 02	sticker		1	ID9J
(1)	A 955 701 287 11	sticker	-04	1	ID9K/ID9L
(1)	955 701 287 12	sticker		1	ID9K/ID9L
(1)	955 701 288 00	sticker tyre pressure		1	(AUS) ID9J
(1)	955 701 288 10	sticker tyre pressure		1	(AUS) ID9K/ ID9L
(1)	955 701 290 00	indication sticker tyre pressure gauge	/LL	1	
(1)	955 701 291 00	indication sticker tyre pressure gauge	/RL	1	
2	955 701 387 00	sticker top speed 240 KM/H		1	
(2)	955 701 387 10	sticker top speed 190 KM/H		1	
(2)	955 701 387 20	sticker top speed 210 KM/H		1	
(2)	955 701 387 30	sticker top speed 150 MPH	-04	1	
(2)	955 701 387 40	sticker top speed 120 MPH	-04	1	
(2)	955 701 387 50	sticker top speed 130 MPH	-04	1	
		stickers engine specifications			
(3)	955 006 107 00	sticker	03	1	(AUS) IT91
(3)	955 006 107 01	sticker	04	1	(AUS) IT91
(3)	955 006 107 05	sticker	05	1	(AUS) IT91

Model	Year	MG	SG	Illustration	Restrictions	Update	18:20	16.08.2006	PORSCHE	PET	PORSCHE
9pa	06	0	01	1-05		203					

Pos	Part Number	Name	Remarks	Qty	Model	Pos	Part Number	Name	Remarks	Qty	Model
(3)	955 006 107 10	sticker	03	1	(AUS) IT90	(11)	955 701 430 40	warning sticker swedish english		1	
(3)	955 006 107 11	sticker	04	1	(AUS) IT90						
(3)	955 006 107 15	sticker	05	1	(AUS) IT90	(11)	955 701 430 50	warning sticker danish english		1	
(3)	955 006 107 20	sticker	04	1	(AUS) IT31						
(3)	955 006 107 25	sticker	05	1	(AUS) IT31	(11)	955 701 430 60	warning sticker finnish english		1	
(3)	955 006 108 00	sticker exhaust gas		1	(THA) IT90/ IT91	(11)	955 701 430 70	warning sticker portuguese english		1	
4	955 006 150 00	sticker assembly v-belt		1	IT91/IT90						
6	955 701 141 00	sticker air conditioner		1		(11)	955 701 430 80	warning sticker greek		1	
7	955 701 150 00	warning sticker oil level high voltage motor fan		1		(11)	955 701 430 90	warning sticker norwegian english		1	
8	993 006 544 01	sticker engine oil - MOBILLOEL -		1		(11)	955 701 431 00	warning sticker english chinese		1	
9	955 006 117 10	sticker type of fuel 98/95 ROZ		1	I0GG	(11)	955 701 431 10	warning sticker russian		1	
(9)	955 006 117 30	sticker type of fuel 95/98 ROZ		1	I0GU	(11)	955 701 431 20	warning sticker english japanese		1	
(9)	955 701 119 00	sticker additional heating stickers airbag		1	I7VL/I7VE	12	3B0 010 219 B	warning sticker child car seat		1	
11	955 701 430 00	warning sticker german french		1		13	955 701 433 00	warning sticker driver's side		1	(J)
(11)	955 701 430 10	warning sticker english french		1		(13)	955 701 432 00	warning sticker passenger's side		1	(J)
(11)	955 701 430 20	warning sticker spanish italian		1		15	955 701 289 00	sticker emergency wheel		1	(AUS)
(11)	955 701 430 30	warning sticker french dutch		1		-	955 701 292 00	sticker emergency wheel		1	(SA)
								- - - E N D - - -			

Model	Year	MG	SG	Illustration	Restrictions	Update	18:20	16.08.2006	PORSCHE	PET	PORSCHE
9pa	06	0	02	2-00		203					

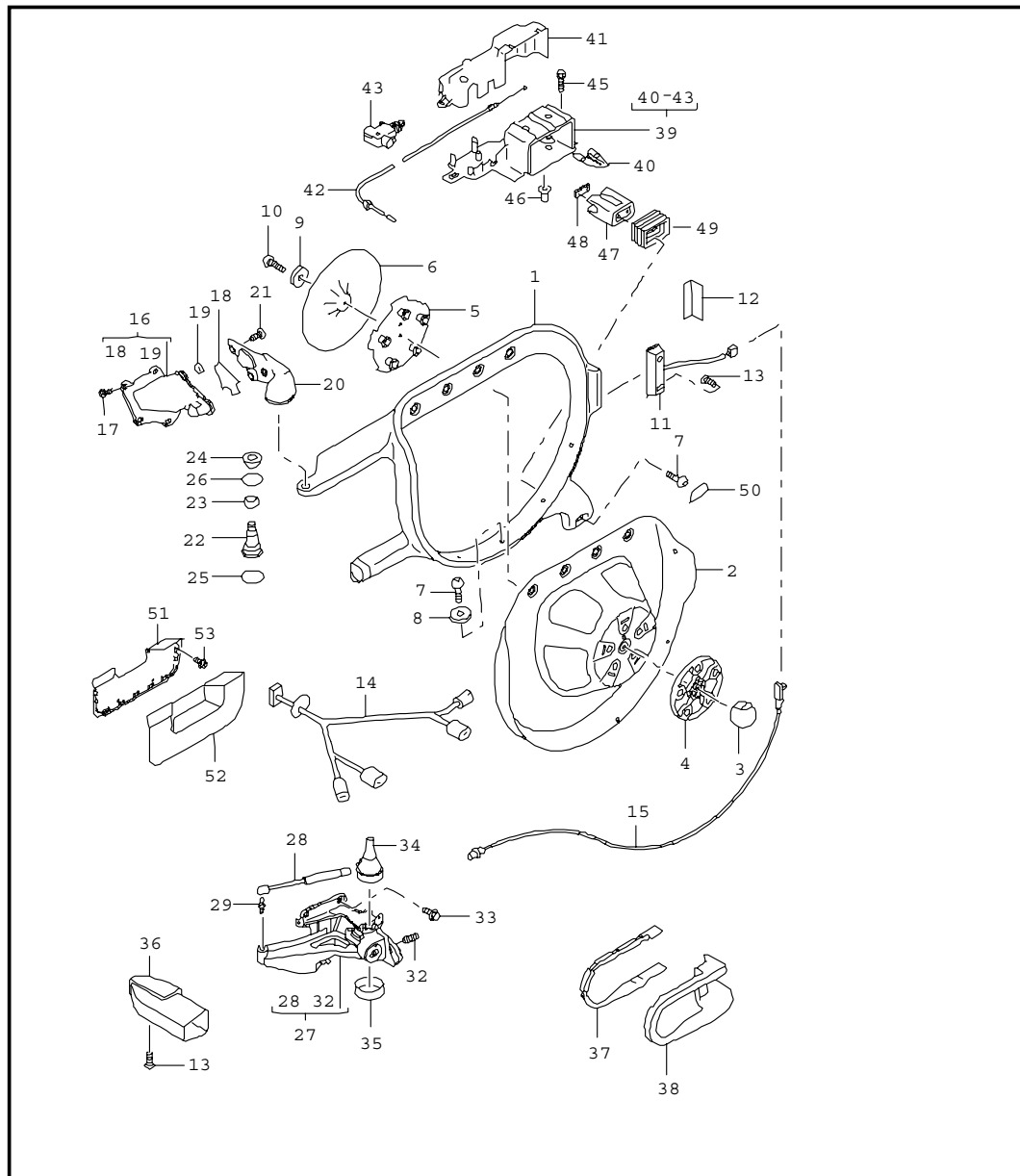


Pos	Part Number	Name	Remarks	Qty	Model
1	955 722 003 01	trailer coupling		1	I1D2
		trailer coupling with wiring harness			
(1)	955 722 006 00	trailer coupling with wiring harness		1	(AUS) I1D6
2	955 722 005 01	trailer coupling with wiring harness		1	I1D9
3	955 612 505 00	wiring harness		1	I1D2
(3)	955 612 507 00	wiring harness		1	I1D9
(3)	955 612 508 00	wiring harness		1	(AUS) I1D6
4	955 612 520 00	grommet		1	
5	955 612 533 00	socket		1	I1D2/I1D9
(5)	999 650 893 40	socket		1	(AUS) I1D6
6	N 014 156 5	screw M 5 X 30		3	
7	-	locking device support spare wheel see group 0/02/05			I1G3
8	-	hexagon-head bolt see group 0/02/05			I1G3
9	955 722 023 00	ball head		1	I1D2
10	955 624 010 00	electric motor trailer coupling		1	I1D9
11	999 218 069 02	pan-head screw M 5 X 40		3	
12	900 910 007 02	nut M 5		3	
13	A 955 722 025 00	foam part		1	I1D2
13	955 722 025 01	foam part		1	I1D2
(13)	955 722 026 01	foam part		1	
14	N 909 892 01	hexagon-head bolt M 14 X 1,5 X 100	-05	8	

Model	Year	MG	SG	Illustration	Restrictions	Update	18:20	16.08.2006	PORSCHE	PET	PORSCHE
9pa	06	0	02	2-00		203					

Pos	Part Number	Name	Remarks	Qty	Model	Pos	Part Number	Name	Remarks	Qty	Model
14	N 910 292 03	hexagon-head bolt BM 12 x 1,5 x 100	06-	8							
15	955 722 033 00	gasket	-05	8							
- - - E N D - - -											

Model	Year	MG	SG	Illustration	Restrictions	Update	18:20	16.08.2006	PORSCHE	PET	PORSCHE
9pa	06	0	02	2-05		203					



Pos	Part Number	Name	Remarks	Qty	Model
1	955 722 010 00	bracket spare wheel outer		1	I1G3
		4W9 satin aluminium			
2	955 722 012 00	spring support spare wheel		1	
		03C rally black			
3	955 722 013 00	centring aid spare wheel		1	
4	955 722 075 00	spacer		1	
5	955 722 014 00	threaded plate		1	
6	955 722 015 00	cap wheel bolts		1	
		01C satin black			
7	N 910 489 01	oval-head screw M 8 X 28		12	
8	955 722 401 00	DISTANZSCHEIBE 4,3 MM		3	
(8)	955 722 402 00	DISTANZSCHEIBE 5,1 MM		2	
(8)	955 722 403 00	spacer		1	
9	N 910 651 01	washer 8,4 X 28 X 2,5		1	
10	N 103 156 03	hexagon-head bolt AM 8 X 40		1	
11	955 613 271 00	tip switch		1	
12	955 722 017 00	protection cap tip switch		1	
		4W9 satin aluminium			
13	N 104 272 01	countersunk-head screw M 5 X 12		3	
14	955 612 812 00	wiring harness		1	
15	955 612 813 00	wiring harness		1	

Model	Year	MG	SG	Illustration	Restrictions	Update	18:20	16.08.2006	PORSCHE	PET	PORSCHE
9pa	06	0	02	2-05		203					

Pos	Part Number	Name	Remarks	Qty	Model	Pos	Part Number	Name	Remarks	Qty	Model
16	A 955 722 020 01	mounting upper inner		1		33	N 106 266 01	hexagon-head bolt M 8 X 30		4	
16	955 722 020 02	mounting upper inner		1		34	955 722 255 00	cap upper		1	
17	N 105 361 01	hexagon-head bolt M 8 X 16 for mounting 955 722 020 01		4		35	955 722 256 00	cap lower		1	
17	N 101 277 06	hexagon-head bolt M 8 X 26		4		36	955 722 203 00	cover bearing lower		1	
18	955 722 404 00	spacer		1			4W9	satin aluminium			
19	955 722 405 00	sealing ring		3		37	955 722 204 00	frame bearing lower		1	
20	955 722 121 00	mounting upper		1		38	955 722 205 00	cover bearing lower		1	
	4W9	satin aluminium					4W9	satin aluminium			
21	N 910 460 01	screw M 8 X 35		3		39	955 722 031 01	locking device support spare wheel		1	
22	955 722 406 00	bolt		1		40	955 722 032 11	rubber stop upper		1	
23	955 722 407 00	articulated support		1		(40)	955 722 032 01	rubber stop lower		1	
24	955 722 408 00	spacer		1		41	955 722 035 00	cover locking device		1	
25	955 722 409 00	circlip		1		42	955 722 525 00	emergency operation		1	
26	955 722 410 00	snap ring		1		43	955 624 521 00	electric motor		1	
27	955 722 201 01	bearing lower	-06	1		-	955 624 523 00	connecting piece		1	
27	N 955 722 201 02	bearing lower	06-	1		-	955 624 525 00	end piece		1	
28	955 722 411 00	gas-filled strut		1		45	N 014 156 5	screw M 6 X 25		4	
29	955 722 413 00	ball pin		2		46	N 908 179 01	blind rivet nut M 6		4	
30	U 955 613 472 00	support microswitch		1		47	955 722 251 00	holder		1	
31	U 955 613 471 00	microswitch		1		48	955 722 252 00	plate holder		1	
32	N 106 086 01	threaded pin M 16 X 25		2		49	955 722 253 00	bellows		1	

Model	Year	MG	SG	Illustration	Restrictions	Update	18:20	16.08.2006	PORSCHE	PET	PORSCHE
9pa	06	0	02	2-05		203					

Pos	Part Number	Name	Remarks	Qty	Model	Pos	Part Number	Name	Remarks	Qty	Model
	01C	satin black									
50	955 722 254 00	cap		1							
	4W9	satin aluminium									
51	955 722 261 00	spring support		1							
	01C	satin black									
52	955 722 262 00	cover		1							
	B41	satin black									
53	N 101 319 03	screw M 6 X 14		4							
		- - - E N D - - -									

Model	Year	MG	SG	Illustration	Restrictions	Update	18:21	16.08.2006	PORSCHE	PET	PORSCHE
9pa	06	0	04	4-00		203					

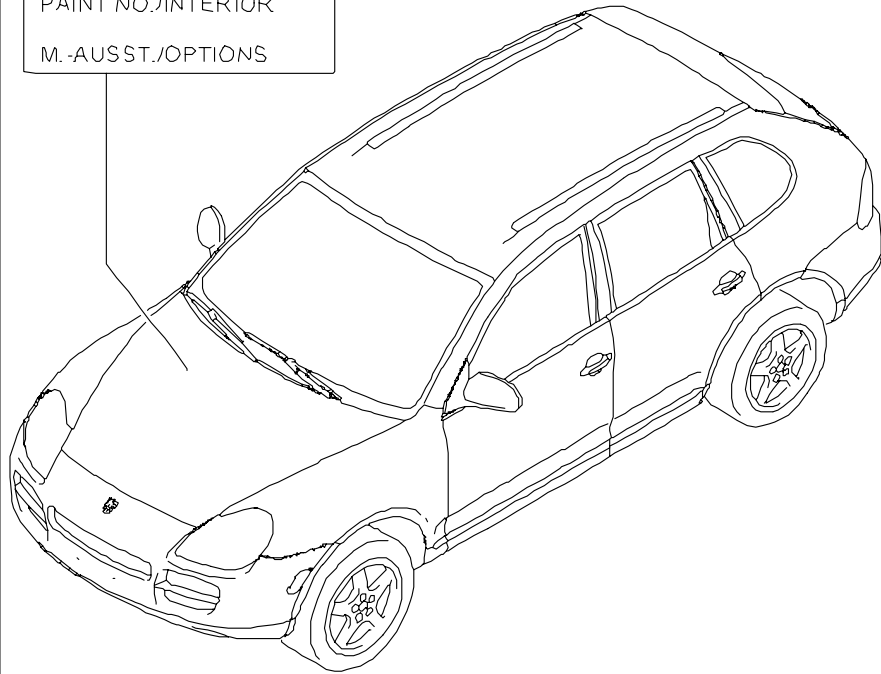
FAHRZG.-IDENT-NR.
VEHICLE.-IDENT-NO.

TYP/TYPE

MOTORKB./GETR.KB.
ENG.CODE/TRANS.CODE

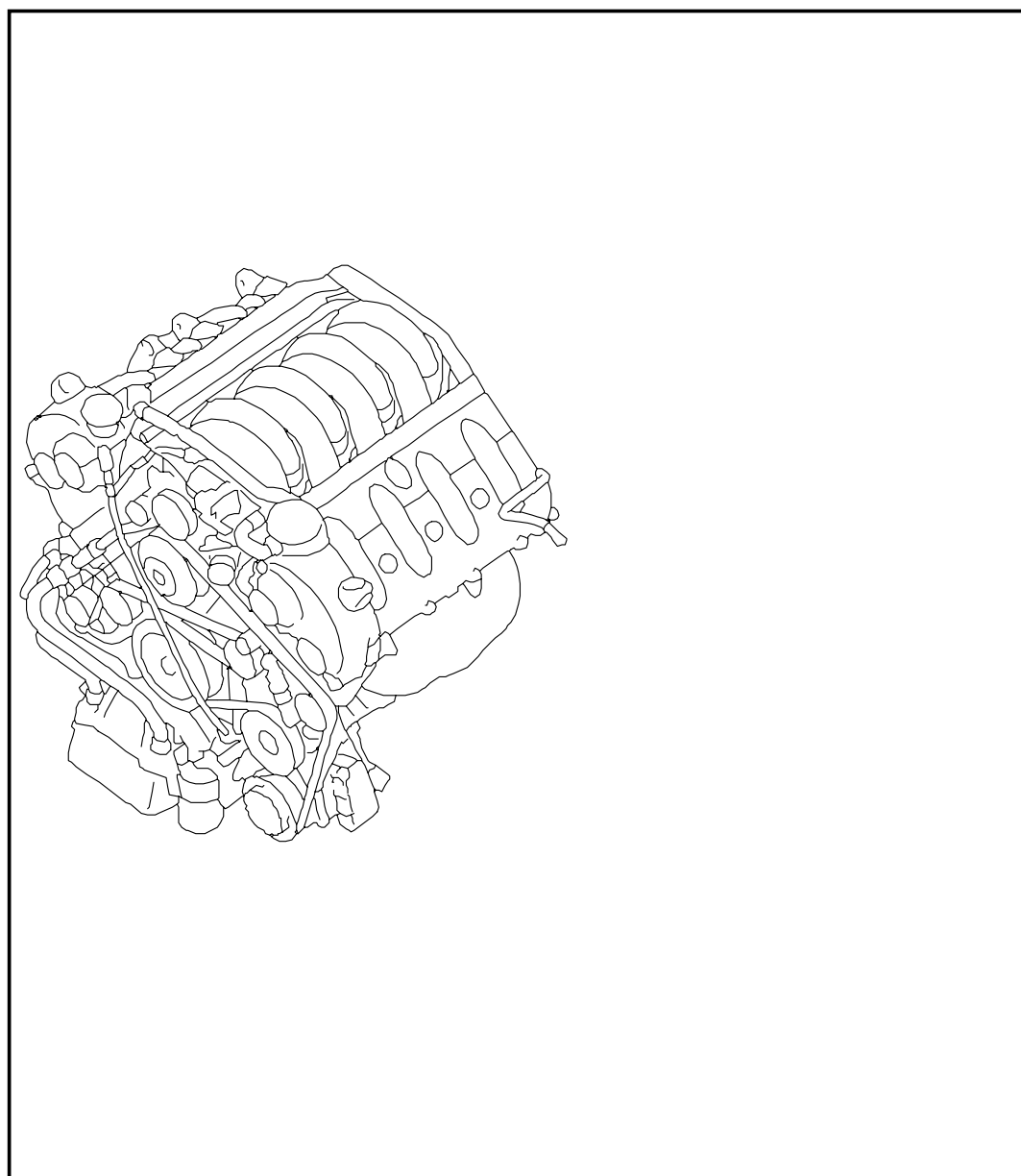
LACKNR./INNENAUSST.
PAINT NO./INTERIOR

M.-AUSST./OPTIONS



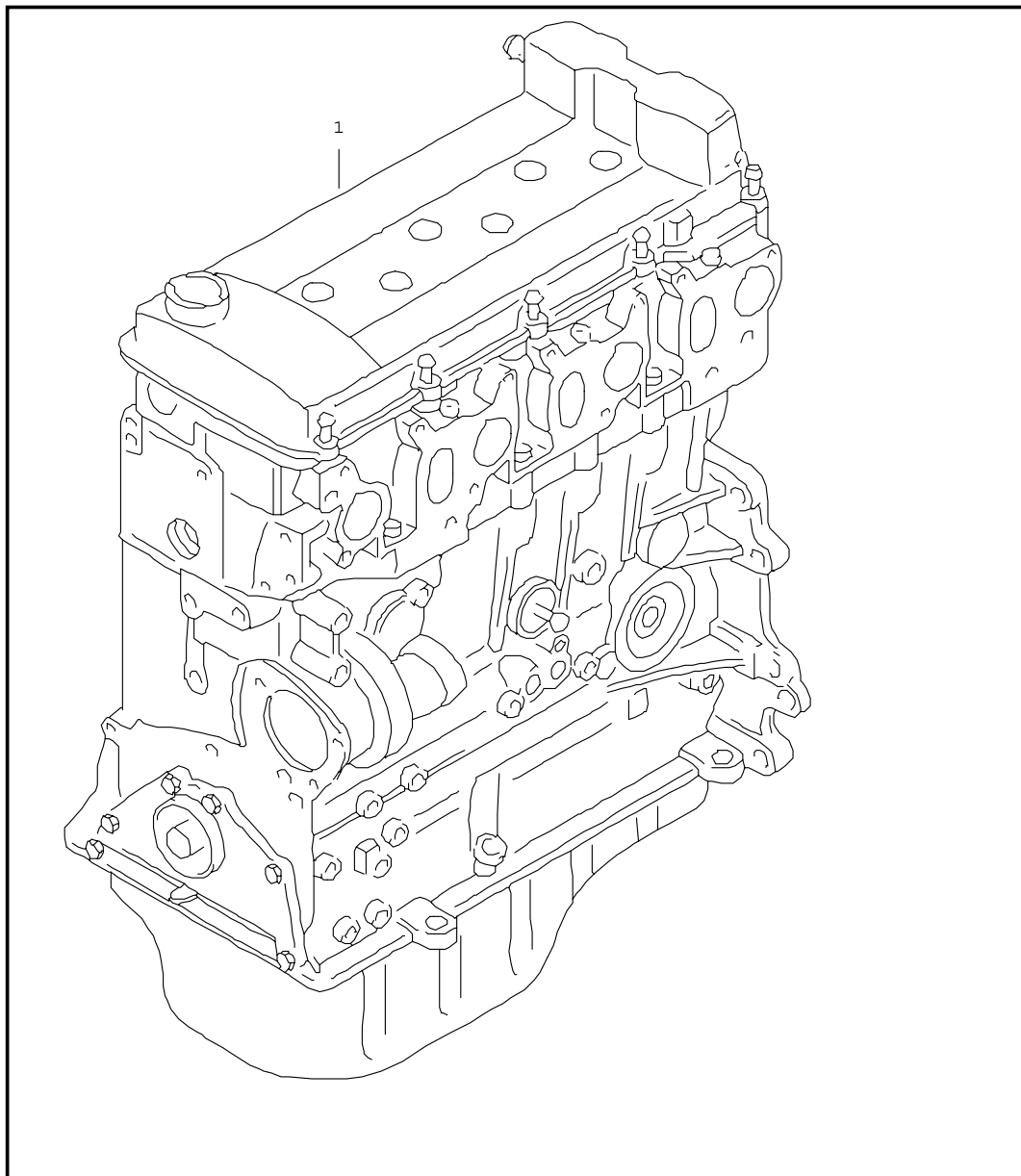
Pos	Part Number	Name	Remarks	Qty	Model
-	911 095 932 20	paint touch-up applicator lacquers		X	
	041	black			A 1
	A5G	marine blue			D 3
	R9A	ivory white			R 6
-	911 095 933 20	paint touch-up applicator set comprising: paint touch-up applicator primer paint touch-up applicator clear lacquer		X	
	M5W	lapis blue metallic			J 2
	M6W	lagoon green metallic			G 4
	M3W	carmon red metallic			E 4
	M1W	jarama beige metallic			D 5
	M1X	prosecco metallic			M 9
	A7W	crystal silver metallic			8 E
	C9Z	basalt black metallic			Z 4
	D7Z	titanium metallic			A 7
	4W9	satin aluminium			
	M6X	dark olive-metallic	05-		7 G
	D5Q	marine blue metallic	06-		P 6
-	000 043 205 27	paint set door sill		1	
	Y7D	slate grey comprising: primer 400 ML hardener 50 ML			
		- - - E N D - - -			

Model	Year	MG	SG	Illustration	Restrictions	Update	18:21	16.08.2006	PORSCHE	PET	PORSCHE
9pa	06	1	01	101-00		203					



Pos	Part Number	Name	Remarks	Qty	Model
		replacement engine			M48.00/50
		replacement engine without drive plate tiptronic			
		without flywheel manual transmission			
1	> 948 100 948 00	replacement engine	03	1	M48.00
1	> 948 100 948 01	replacement engine	04	1	M48.00
1	> 948 100 948 02	replacement engine	05	1	M48.00
1	> 948 100 948 03	replacement engine	06	1	M48.00
(1)	> 948 100 950 00	replacement engine	03	1	M48.50
(1)	> 948 100 950 01	replacement engine	04	1	M48.50
(1)	A 948 100 950 02	replacement engine	05	1	M48.50
(1)	> 948 100 950 40	replacement engine	05	1	M48.50
(1)	> 948 100 950 41	replacement engine	06	1	M48.50
		- - - E N D - - -			

Model	Year	MG	SG	Illustration	Restrictions	Update	18:21	16.08.2006	PORSCHE	PET	PORSCHE
9pa	06	1	01	101-01		203					

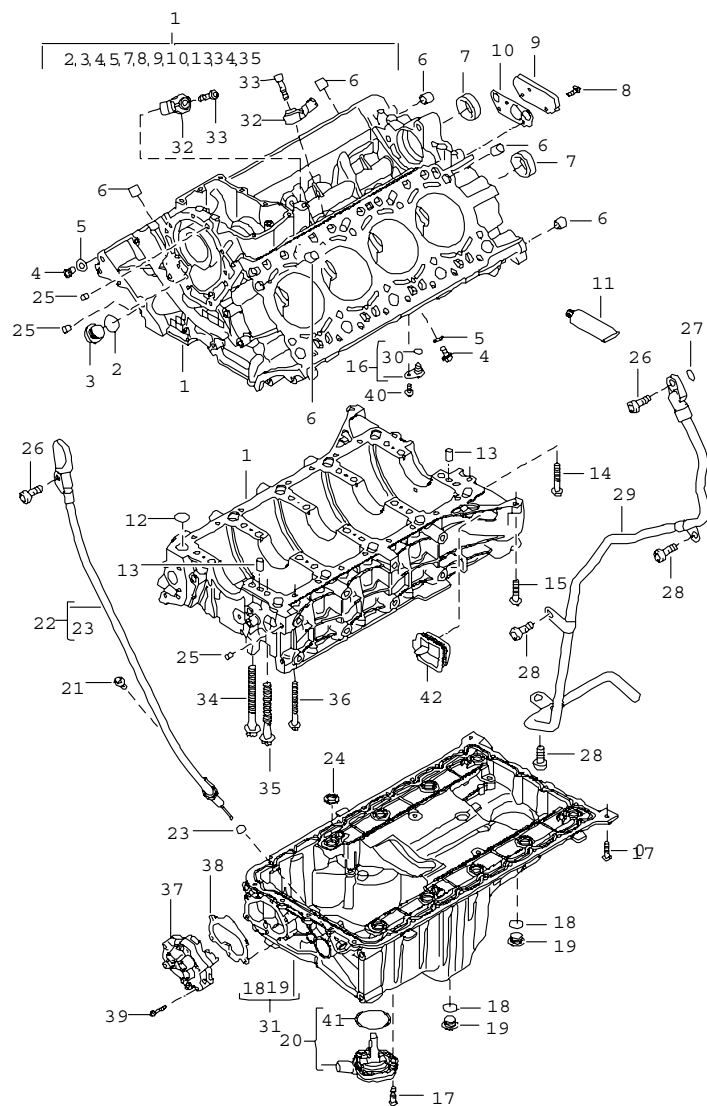


Pos	Part Number	Name	Remarks	Qty	Model
		replacement engine	04-		M02.2Y
1	U 955 100 011 00	replacement engine together with tiptronic not ready for installation		1	
(1)	> 955 100 011 01	replacement engine together with tiptronic not ready for installation		1	I8GR
(1)	> 955 100 012 01	replacement engine together with tiptronic not ready for installation for cars up to model year 2005 with generator Delphi use also: plug socket 955.603.193.00		1	I8GH
(1)	U 955 100 011 05	replacement engine together with tiptronic not ready for installation	(CN)	1	I0GD
(1)	> 955 100 011 06	replacement engine together with tiptronic not ready for installation	(CN)	1	I0GD/I8GR
(1)	> 955 100 012 06	replacement engine together with tiptronic not ready for installation for cars up to model year 2005 with generator Delphi use also: plug socket 955.603.193.00	(CN)	1	I0GD/I8GH

Model	Year	MG	SG	Illustration	Restrictions	Update	18:21	16.08.2006	PORSCHE	PET	PORSCHE
9pa	06	1	01	101-01		203					

Pos	Part Number	Name	Remarks	Qty	Model	Pos	Part Number	Name	Remarks	Qty	Model
(1)	> 955 100 011 20	replacement engine together with manual transmission not ready for installation	-05	1							
(1)	> 955 100 011 21	replacement engine together with manual transmission not ready for installation	06-	1	I8GR						
(1)	> 955 100 012 21	replacement engine together with manual transmission not ready for installation	06-	1	I8GH						
(1)	U 955 100 011 25	replacement engine together with manual transmission not ready for installation	(CN)	1	I0GD						
(1)	> 955 100 011 26	replacement engine together with manual transmission not ready for installation	(CN)	1	I0GD/I8GR						
(1)	> 955 100 012 26	replacement engine together with manual transmission not ready for installation for cars up to model year 2005 with generator Delphi use also: plug socket 955.603.193.00 - - - E N D - - -	(CN)	1	I0GD/I8GH						

Model	Year	MG	SG	Illustration	Restrictions	Update	18:21	16.08.2006	PORSCHE	PET	PORSCHE
9pa	06	1	01	101-05		203					

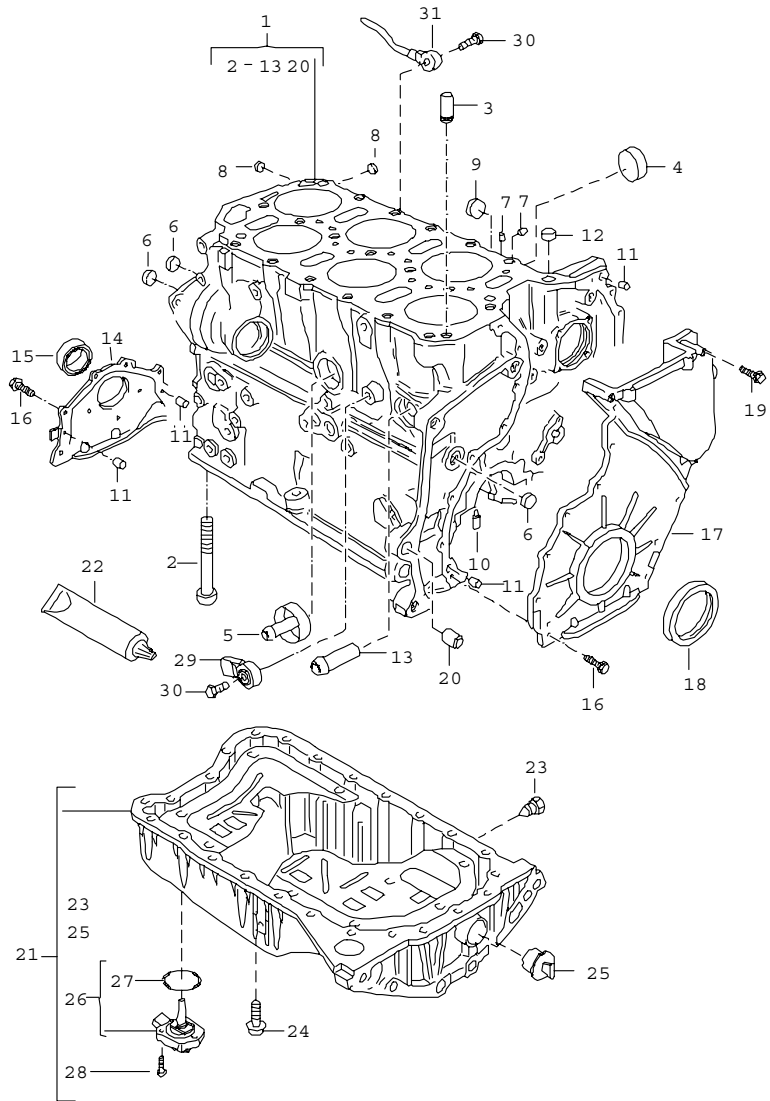


Pos	Part Number	Name	Remarks	Qty	Model
		crankcase single parts			M48.00/50
1	948 101 001 00	crankcase without piston use also: piston 014.301.153.B 900.385.009.09 948.101.102.00 948.101.017.04 999.707.481.40 996.106.103.50		1	M48.00 M48.50
2	900 123 118 30	sealing ring		1	
3	U 900 219 001 30	screw plug M 22 X 1,5		1	
(3)	999 063 024 30	screw plug M 22 X 1,5		1	
4	900 385 041 09	torx screw BM 6 X 12		2	
5	900 123 102 30	sealing ring A 6,5 X 9,5		2	
6	014 301 153 B	dowel sleeve 13 X 16 X 13,5		6	
7	948 101 216 00	cover		2	
8	900 385 019 09	torx screw BM 6 X 20		3	
9	948 101 195 04	cover		1	
10	948 101 197 02	gasket		1	
11	000 043 204 58	sealing compound 1 tube 30 gr.		1	
12	999 707 481 40	o-ring 24 X 3		1	
13	999 012 051 00	straight pin BM 10 X 18		2	
14	900 385 021 09	torx screw BM 8 X 50		2	
15	900 385 006 09	torx screw BM 8 X 35		2	

Model	Year	MG	SG	Illustration	Restrictions	Update	18:21	16.08.2006	PORSCHE	PET	PORSCHE
9pa	06	1	01	101-05		203					

Pos	Part Number	Name	Remarks	Qty	Model	Pos	Part Number	Name	Remarks	Qty	Model
16	948 101 102 00	plug M	>> 816 14410	4	M48.00	34	948 101 189 01	screw M 12 X 1,5 X 132		10	
(16)	948 101 102 01	plug M 816 14411	>>	4	M48.00	35	948 101 191 00	screw M 10 X 1,5 X 117		10	
(16)	948 101 017 04	spray nozzle		4	M48.50	36	900 385 029 09	torx screw M 8 X 70		16	
17	900 385 072 09	torx screw BM 6 X 25		27		37	948 107 074 55	oil pump		1	M48.50
18	900 123 106 30	sealing ring A 18 X 24		2		38	948 107 144 03	gasket		1	M48.50
19	900 219 020 31	screw plug M 18 X 1,5		2		39	900 385 025 09	torx screw BM 6 X 40		6	M48.50
20	948 606 140 00	oil-level sender		1		40	900 385 009 09	torx screw BM 6 X 16		4	
21	900 385 058 09	torx screw BM 6 X 20		1		41	948 606 240 00	gasket oil-level sender		1	
22	948 107 006 06	oil level dipstick with guide tube		1		42	P 955 301 729 00	plug		1	
23	999 707 360 40	o-ring		1				- - - E N D - - -			
24	948 107 740 00	sealing ring		9							
25	996 106 103 50	dowel sleeve 8,2 X 7		3							
26	999 073 103 09	oval-head screw M 6 X 16		2							
27	999 707 396 40	o-ring		1							
28	999 073 189 09	torx screw M 6 X 12		3							
29	948 105 217 02	vent line		1							
30	999 707 509 40	o-ring 8,55 X 2 for plug and spray nozzle		4							
(31)	948 107 040 07	oil pan		1	M48.00						
31	948 107 040 57	oil pan		1	M48.50						
32	996 606 125 00	knock sensor		2							
33	900 067 102 09	pan-head screw M 8 X 35		2							

Model	Year	MG	SG	Illustration	Restrictions	Update	18:22	16.08.2006	PORSCHE	PET	PORSCHE
9pa	06	1	01	101-06		203					

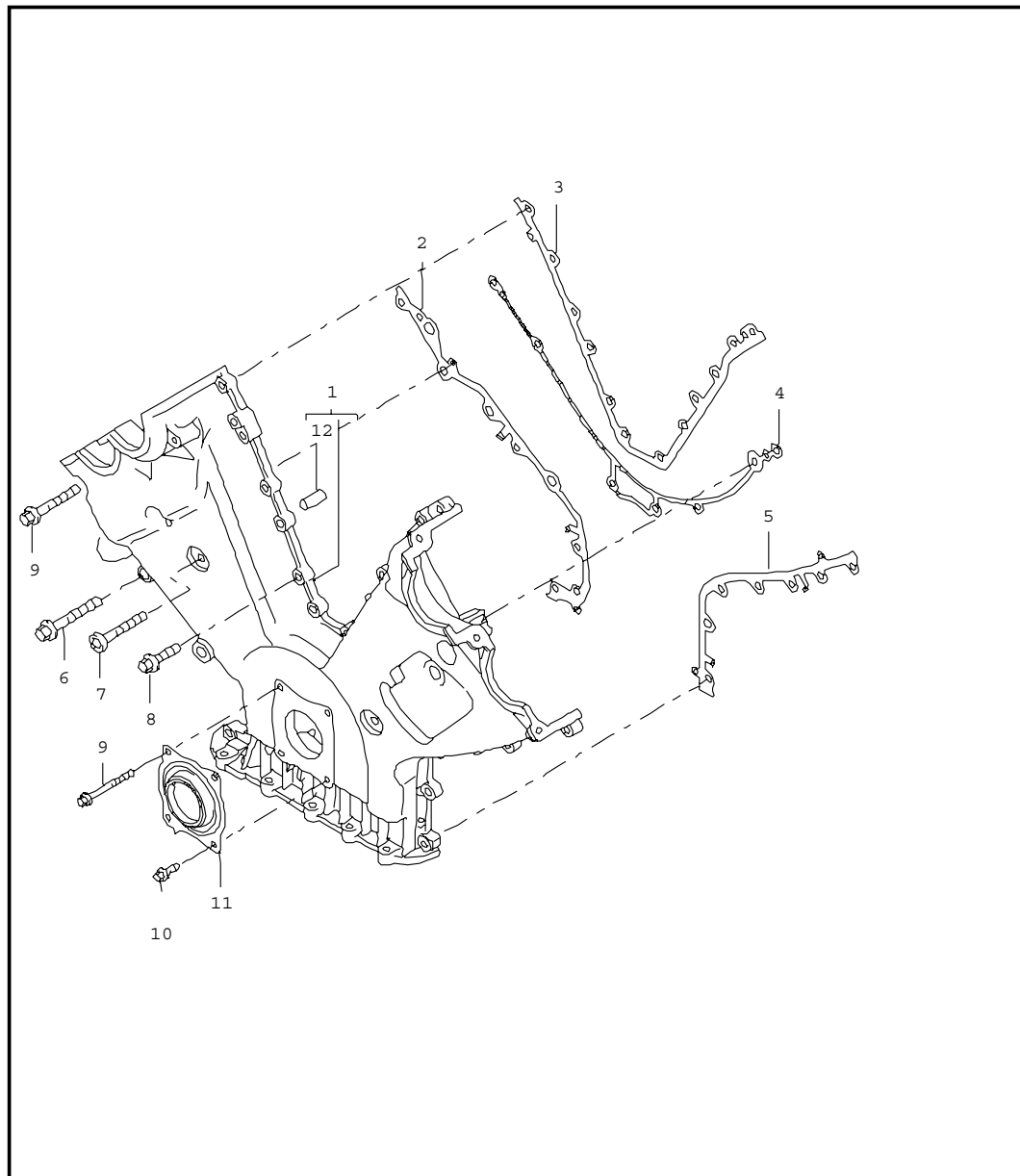


Pos	Part Number	Name	Remarks	Qty	Model
		crankcase single parts oil pan	04-		M02.2Y
1	---	crankcase not available		1	
2	N 903 658 01	pan-head screw AM 10 X 78		14	
3	955 101 175 00	check valve		1	
4	059 103 113	cover 36,6 MM		1	
5	955 101 111 00	adapter		1	
6	N 011 903 4	cover A 16 MM		3	
7	955 101 115 00	plug B 7,3 X 9,3		2	
8	N 011 910 2	cover 10 MM	04	2	
(8)	N 011 910 3	cover 10 MM	05-	2	
9	N 011 914 3	cover A 24 MM		1	
10	955 101 157 00	spray nozzle engine oil		6	
11	N 910 170 01	straight pin 8 X 18		4	
12	N 905 026 01	tensioning sleeve 14 X 12		2	
13	955 101 382 00	connecting piece		1	
14	955 101 153 00	joint flange front M	>> BFD 20318	1	
(14)	955 101 151 01	joint flange front M BFD 20319	>>	1	
15	955 101 085 00	shaft seal 48 X 10 M	>> BFD 20318	1	
16	N 100 829 06	screw M 6 X 16		20	

Model	Year	MG	SG	Illustration	Restrictions	Update	18:22	16.08.2006	PORSCHE	PET	PORSCHE
9pa	06	1	01	101-06		203					

Pos	Part Number	Name	Remarks	Qty	Model	Pos	Part Number	Name	Remarks	Qty	Model
17	955 101 173 00	control box cover lower M >> BFD 16255		1	IG0L	24	N 102 278 03	screw M 6 X 20		26	
(17)	955 101 173 01	control box cover lower M BFD 16256 >>		1	IG0L	25	955 101 498 00	plug 30,2 MM	04	1	
(17)	955 101 173 10	control box cover lower M >> BFD 14233		1	IG0R	(25)	955 101 498 01	plug 30,2 MM	05-	1	
(17)	955 101 173 11	control box cover lower M BFD 14234 >>		1	IG0R	26	948 606 140 00	oil-level sender		1	
18	955 101 051 00	shaft seal 85 X 105 X 11		1		27	948 606 240 00	gasket		1	
19	N 101 160 02	screw M 6 X 58	-05	2		28	900 385 072 09	torx screw EM 6 X 25		3	
(19)	N 101 160 03	screw M 6 X 58	06-	2		29	955 606 125 00	knock sensor		1	
20	955 101 139 00	dowel sleeve 16 X 13,5		2		30	N 010 272 1	hexagon-head bolt M 8 X 26		2	
21	955 101 601 00	oil pan		1		31	955 606 125 10	knock sensor		1	
22	000 043 300 34	sealing compound 1 tube 80 ml. for oil pan	-05	X				- - - E N D - - -			
(22)	000 043 300 39	sealing compound 1 tube 50 ml. for oil pan	06-	X							
(22)	000 043 300 39	sealing compound 1 tube 50 ml. for joint flange front and control box cover lower		X							
23	N 908 132 01	drain plug with captive washer M 14 X 1,5 X 22		1							

Model	Year	MG	SG	Illustration	Restrictions	Update	18:22	16.08.2006	PORSCHE	PET	PORSCHE
9pa	06	1	01	101-07		203					

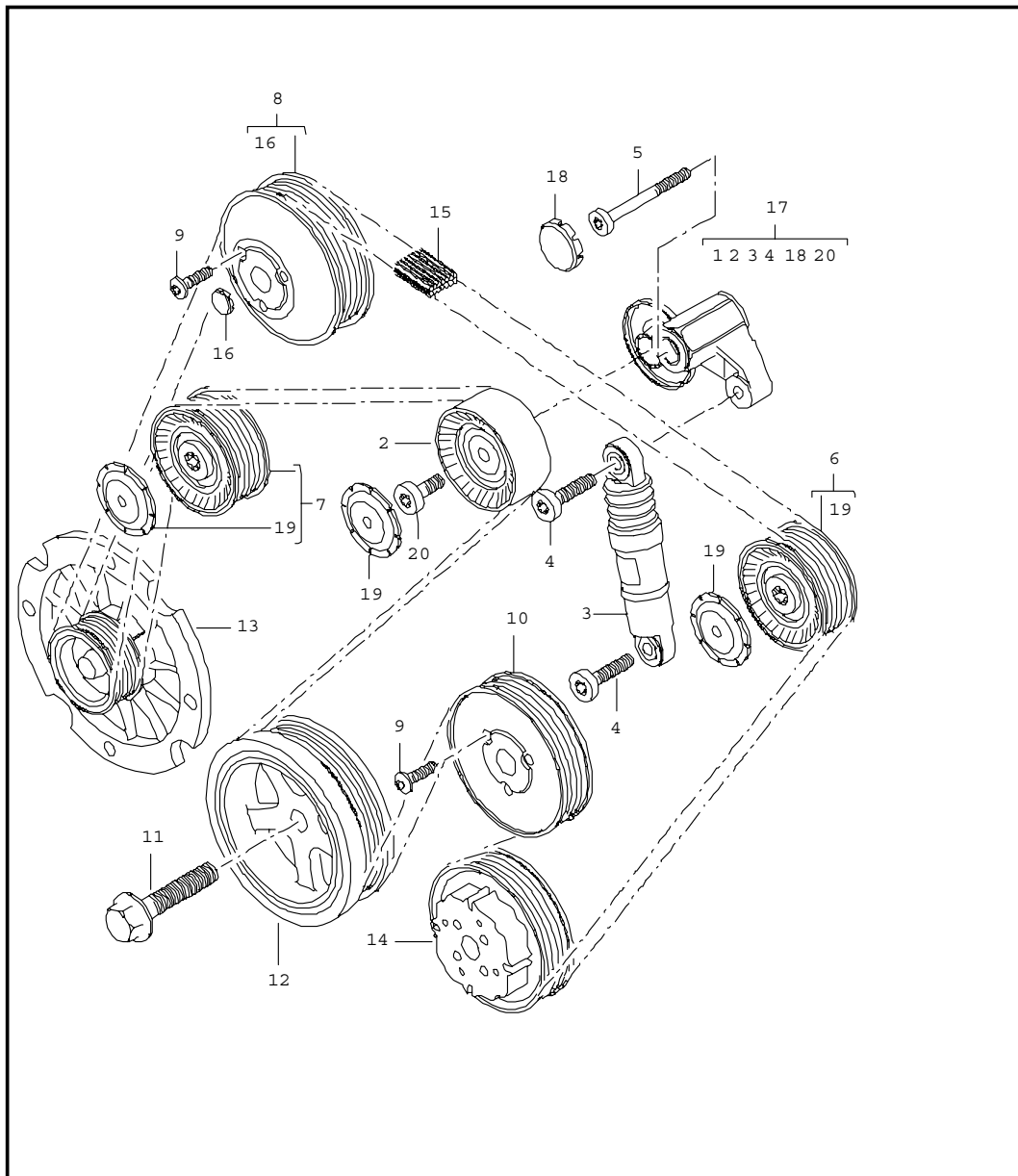


Pos	Part Number	Name	Remarks	Qty	Model
		control box cover joint flange			M48.00/50
		see technical information group 1 NR.6 / 03			
1	A 948 101 021 04	cover control box		1	
(1)	948 101 021 07	control box cover		1	
2	A 948 101 130 04	gasket		1	
(2)	948 101 130 07	gasket		1	
3	948 101 125 04	gasket		1	
4	948 101 127 04	gasket		1	
5	948 101 129 04	gasket		1	
6	U 900 385 021 09	torx screw BM 8 X 50		2	
(6)	900 385 071 09	torx screw BM 8 X 50		2	
7	999 073 107 09	torx screw M 6 X 50		4	
8	900 385 072 09	torx screw BM 6 X 25		29	
9	900 385 070 09	torx screw BM 6 X 50		3	
10	900 385 041 09	torx screw BM 6 X 12		2	
11	U 948 101 210 03	joint flange		1	
(11)	948 101 910 03	joint flange with assembly sleeve	-05	1	
(11)	948 101 910 04	joint flange with assembly sleeve	06-	1	
12	900 012 204 00	straight pin 6 X 16		8	
-	000 043 204 35	sealing compound 1 tube 50 ml. for control box cover		X	

Model	Year	MG	SG	Illustration	Restrictions	Update					
9pa	06	1	01	101-07		203	18:22	16.08.2006	PORSCHE	PET	PORSCHE

Pos	Part Number	Name	Remarks	Qty	Model	Pos	Part Number	Name	Remarks	Qty	Model
		- - - E N D - - -									

Model	Year	MG	SG	Illustration	Restrictions	Update	18:22	16.08.2006	PORSCHE	PET	PORSCHE
9pa	06	1	01	101-10		203					

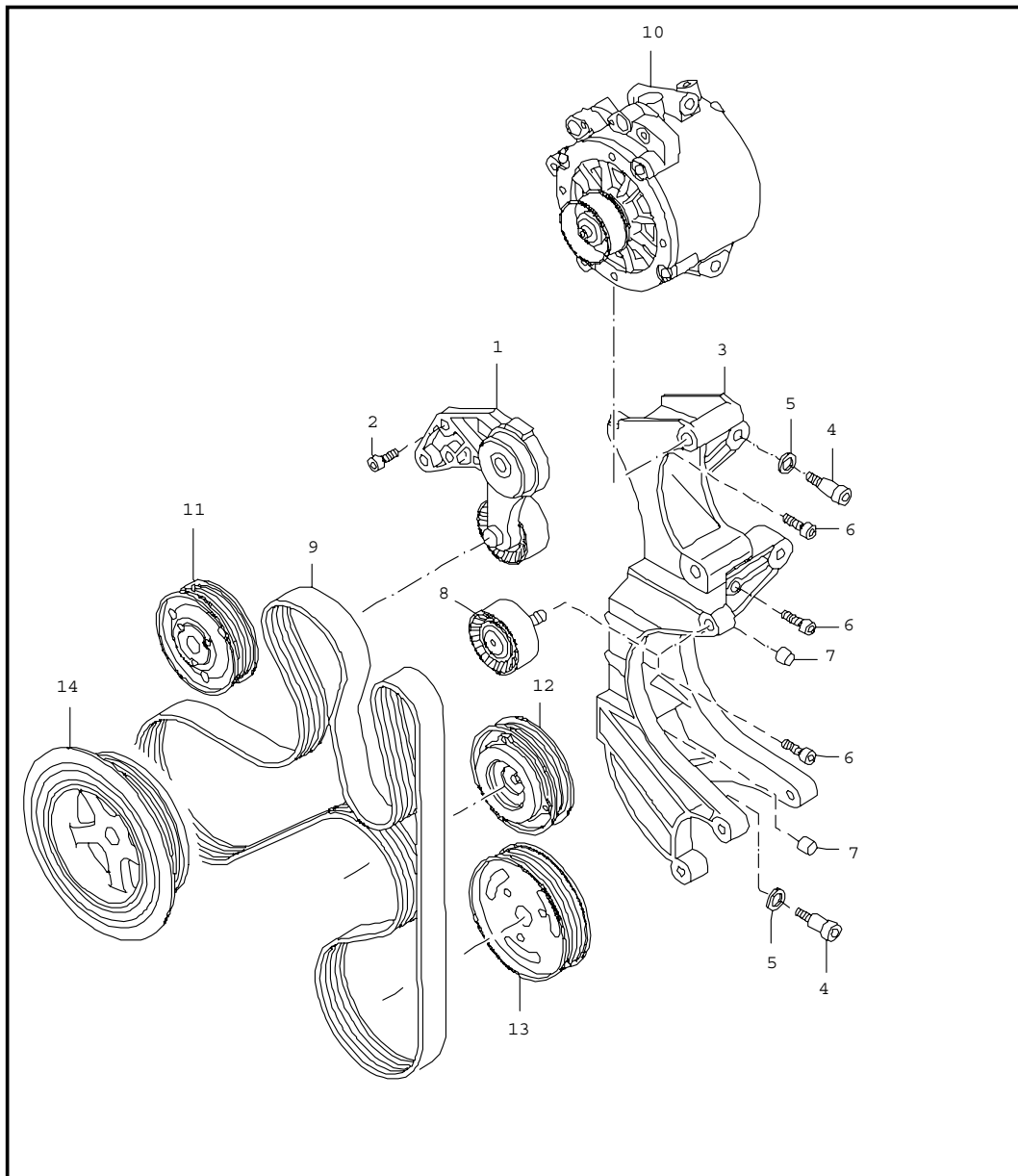


Pos	Part Number	Name	Remarks	Qty	Model
		belt tensioner belt drive			M48.00/50
1	U 948 102 401 00	support		1	
(1)	948 102 401 01	support		1	
2	948 102 402 00	tensioning roller with cap		1	
3	948 102 259 01	tensioner		1	
4	999 073 246 09	torx screw M 8 X 33		2	
5	900 387 001 09	pan-head screw M 8 X 100		1	
6	948 102 119 00	deflection roller with fastening screw and cap		1	
7	948 102 120 00	deflection roller with fastening screw and cap		1	
8	948 106 090 01	pulley water pump		1	
9	999 073 104 09	oval-head screw M 8 X 16		6	
10	...	pulley power-steering pump see group 4/03/03		1	
11	948 102 202 00	screw		1	
12	948 102 241 03	vibration damper crankshaft		1	M48.00
(12)	948 102 241 51	vibration damper crankshaft		1	M48.50
13	...	pulley generator see group 9/02/05		1	
14	...	compressor see group 8/13/15		1	

Model	Year	MG	SG	Illustration	Restrictions	Update	18:22	16.08.2006	PORSCHE	PET	PORSCHE
9pa	06	1	01	101-10		203					

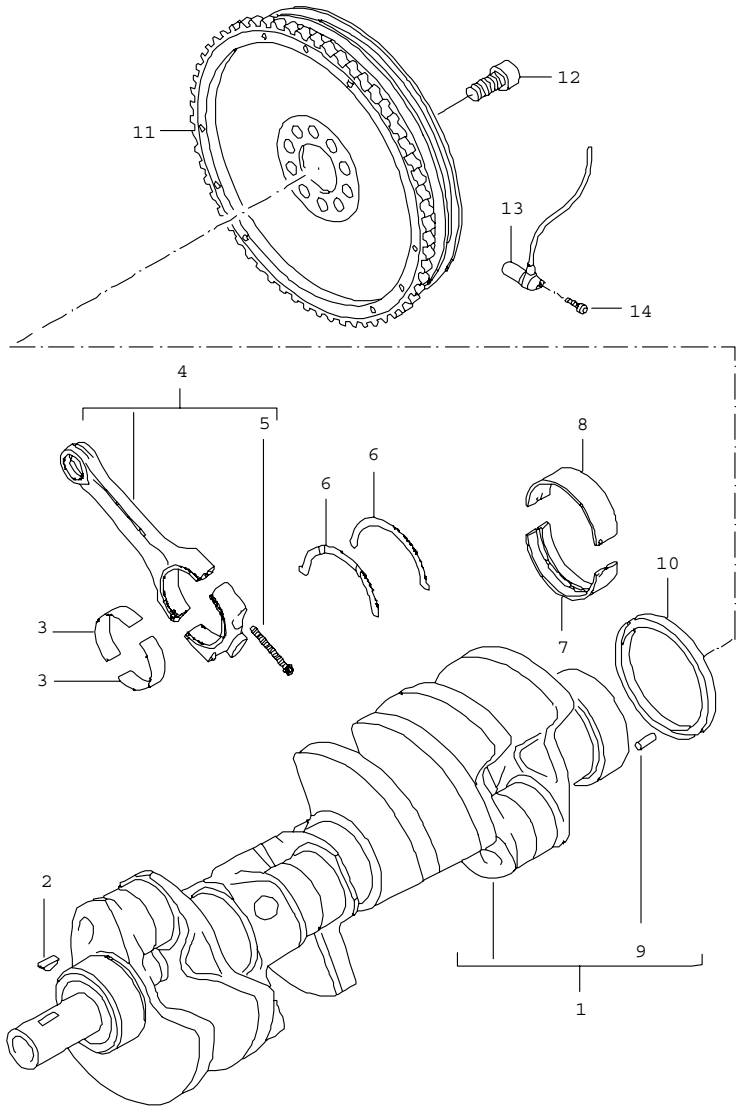
Pos	Part Number	Name	Remarks	Qty	Model	Pos	Part Number	Name	Remarks	Qty	Model
15	999 192 380 50	v-belt 7 DPK 2950		1							
16	948 106 409 00	cover		1							
17	948 102 359 02	belt tensioner complete		1							
18	948 102 859 00	protection cap belt tensioner		1							
19	948 102 839 00	protection cap tensioning roller deflection roller		3							
20	948 102 901 00	torx screw M 10 x 28		1							
		- - - E N D - - -									

Model	Year	MG	SG	Illustration	Restrictions	Update	18:22	16.08.2006	PORSCHE	PET	PORSCHE
9pa	06	1	01	101-15		203					



Pos	Part Number	Name	Remarks	Qty	Model
		belt tensioner belt drive	04-		M02.2Y
1	955 102 299 00	belt tensioner		1	
2	N 903 559 02	screw M 8 X 30		3	
3	955 147 151 00	bracket		1	
4	N 904 263 02	fit bolt M 8 X 28		2	
5	N 012 209 3	washer 9 X 16 X 2		2	
6	N 103 075 01	screw AM 8 X 40		3	
7	955 147 501 00	dowel sleeve 11,5 X 6,5		2	
8	955 102 276 00	deflection roller with fastening screw		1	
9	955 102 933 00	poly-rib belt 7DPK 24,92 X 2074 MM		1	
10	...	generator see group 9/02/05		1	
11	...	pulley water pump see group 1/05/02		1	
12	...	compressor air conditioner see group 8/13/15		1	
13	...	pulley power-steering pump see group 4/03/03		1	
14	...	vibration damper crankshaft see group 1/02/02		1	
- - - E N D - - -					

Model	Year	MG	SG	Illustration	Restrictions	Update	18:23	16.08.2006	PORSCHE	PET	PORSCHE
9pa	06	1	02	102-00		203					

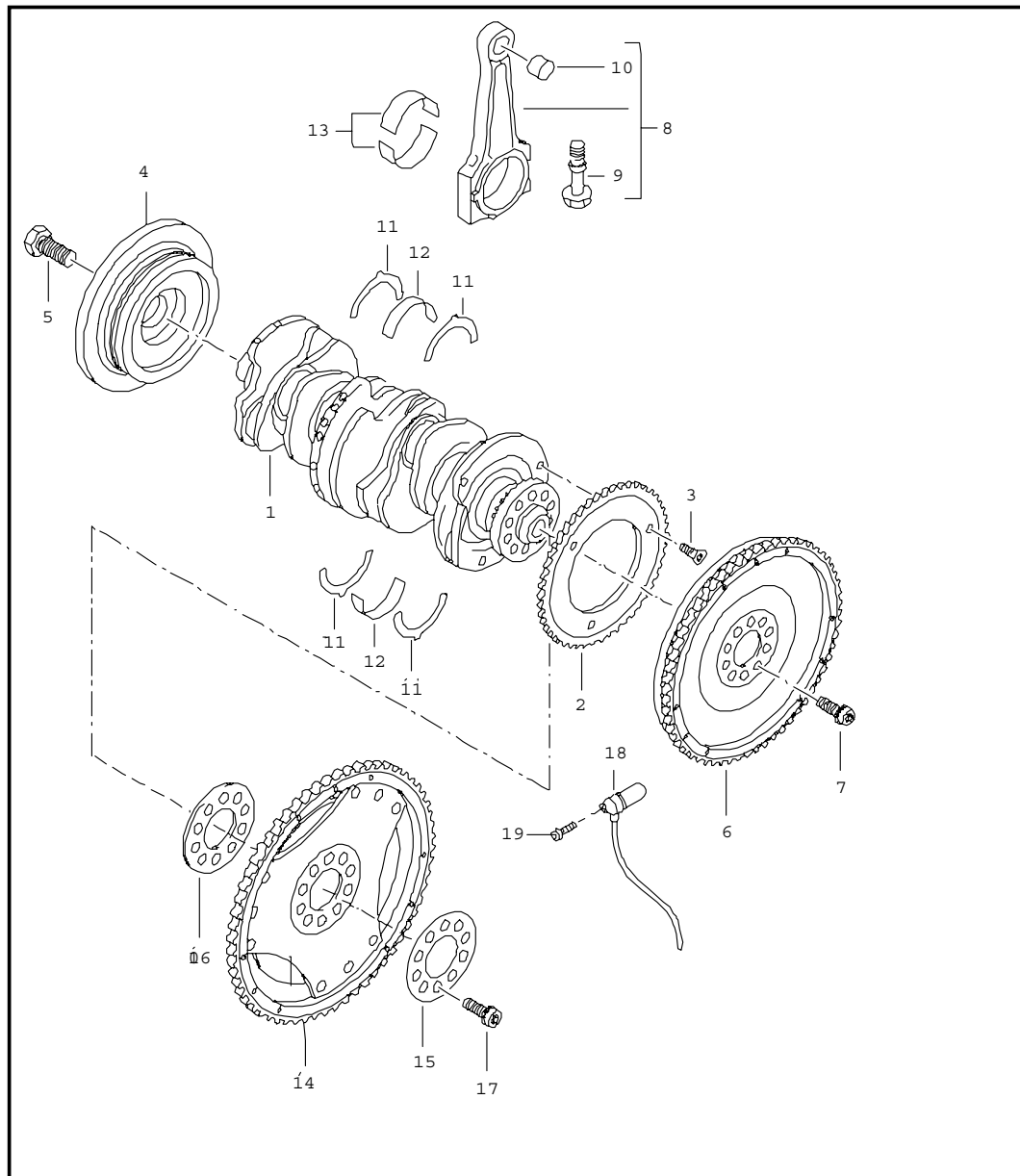


Pos	Part Number	Name	Remarks	Qty	Model
		crankshaft connecting rod			M48.00/50
1	948 102 011 03	crankshaft M >> 816 13853 M >> 826 05214		1	
(1)	948 102 011 04	crankshaft M 816 13854 >> M 826 05215 >>		1	
2	N 012 713 1	woodruff key 5,0 X 6,5		1	
3	948 103 210 00	connecting-rod bearing marked red		16	
(3)	948 103 210 01	connecting-rod bearing marked yellow		16	
(3)	948 103 210 02	connecting-rod bearing marked blue		16	
4	948 103 975 00	connecting rod set comprising: connecting rod		1	
5	996 103 115 51	connecting rod bolt		16	
6	948 101 215 03	thrust washer		2	
7	948 101 208 00	main bearing shell lower marked red		5	
(7)	948 101 208 01	main bearing shell lower marked yellow		5	
(7)	948 101 208 02	main bearing shell lower marked blue		5	
8	948 101 213 03	main bearing shell upper marked red		5	

Model	Year	MG	SG	Illustration	Restrictions	Update	18:23	16.08.2006	PORSCHE	PET	PORSCHE
9pa	06	1	02	102-00		203					

Pos	Part Number	Name	Remarks	Qty	Model	Pos	Part Number	Name	Remarks	Qty	Model
(8)	948 101 213 04	main bearing shell upper marked yellow		5							
(8)	948 101 213 05	main bearing shell upper marked blue		5							
9	900 302 016 00	straight pin 6,0 X 16 M >> 816 13853 M >> 826 05214		1							
(9)	900 302 049 00	straight pin 6,0 X 20 M 816 13854 >> M 826 05215 >>		1							
10	948 101 212 02	shaft seal		1							
11	955 114 012 00	double-mass flywheel		1	M48.00/IG0L						
12	N 906 651 01	pan-head screw M 10 X 1 X 29		10	M48.00/IG0L						
13	955 606 381 00	inductive transmitter		1							
14	N 014 701 8	pan-head screw M 6 X 12		1							
		- - - E N D - - -									

Model	Year	MG	SG	Illustration	Restrictions	Update	18:23	16.08.2006	PORSCHE	PET	PORSCHE
9pa	06	1	02	102-02		203					

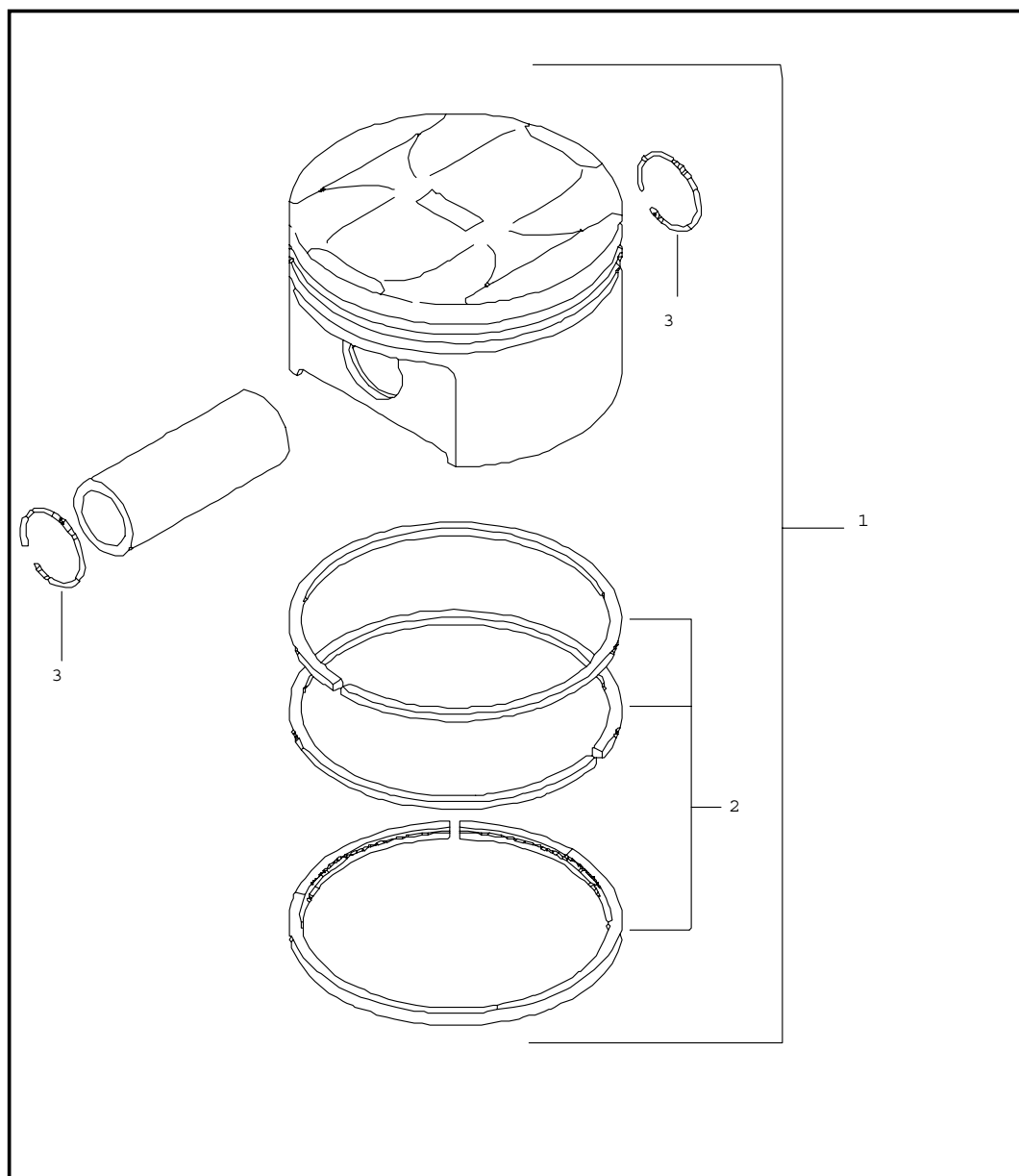


Pos	Part Number	Name	Remarks	Qty	Model
		crankshaft connecting rod	04-		M02.2Y
1	955 102 101 00	crankshaft M >> BFD 17294		1	
(1)	955 102 101 01	crankshaft M BFD 17295 >>		1	
2	955 102 189 00	drive plate inductive transmitter		1	
3	955 102 229 00	countersunk-head screw M 6 X 13		3	
4	955 102 243 00	vibration damper		1	
5	N 010 087 5	hexagon-head bolt M 18 X 1,5 X 40		1	
6	955 102 266 00	flywheel		1	IGOL
7	N 906 651 01	pan-head screw M 10 X 1 X 29		10	IGOL
8	955 102 401 00	connecting rod 1 set comprising: connecting rod		1	
9	955 102 425 00	connecting rod bolt		12	
10	955 102 431 00	connecting rod bush		6	
11	955 102 635 00	thrust washer	04	2	
(11)	955 102 635 01	thrust washer	05-	2	
12	955 102 561 00	bearing shell crankshaft upper yellow		7	
(12)	955 102 591 00	bearing shell crankshaft lower yellow		7	
13	955 102 701 00	bearing shell lower yellow		6	
(13) U	955 102 701 10	bearing shell upper red		6	

Model	Year	MG	SG	Illustration	Restrictions	Update	18:23	16.08.2006	PORSCHE	PET	PORSCHE
9pa	06	1	02	102-02		203					

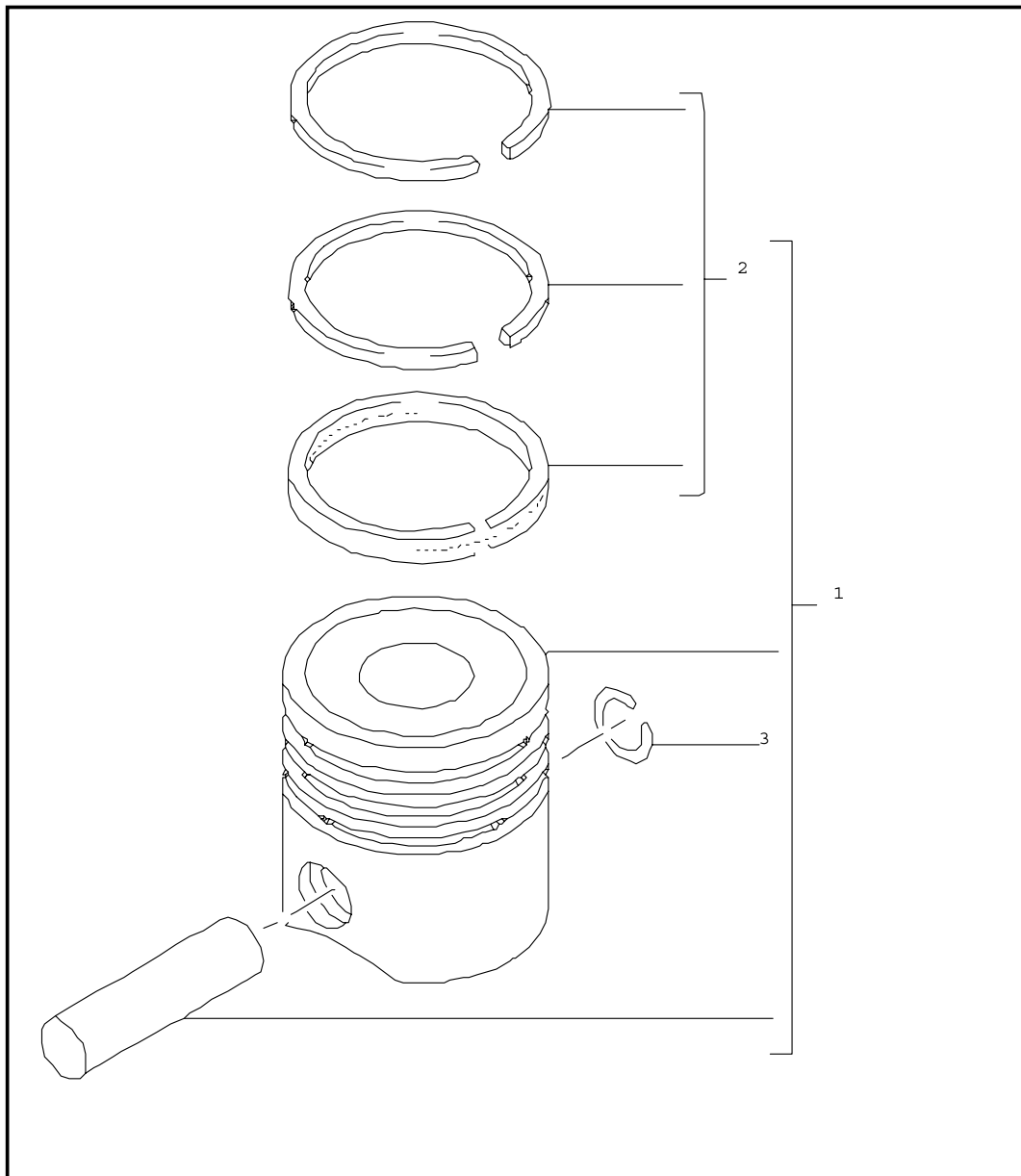
Pos	Part Number	Name	Remarks	Qty	Model	Pos	Part Number	Name	Remarks	Qty	Model
(13)	955 102 701 11	bearing shell upper red		6							
14	955 102 327 00	drive plate		1	IGOR						
15	955 102 301 00	washer		1	IGOR						
16	955 102 303 00	shim 0,4 MM		X	IGOR						
(16)	955 102 303 10	shim 0,8 MM		X	IGOR						
(16)	955 102 303 20	shim 1,2 MM		X	IGOR						
(16)	955 102 303 30	shim 1,6 MM		X	IGOR						
(16)	955 102 303 40	shim 2 MM		X	IGOR						
(16)	955 102 303 50	shim 2,4 MM		X	IGOR						
17	N 905 398 01	pan-head screw M 10 X 1 X 19		10	IGOR						
18	955 606 433 00	speed sensor	04	1							
(18)	955 606 147 00	pulse sender	05-	1							
19	N 101 148 02	pan-head screw M 6 X 15		1							
		- - - E N D - - -									

Model	Year	MG	SG	Illustration	Restrictions	Update	18:23	16.08.2006	PORSCHE	PET	PORSCHE
9pa	06	1	02	102-05		203					



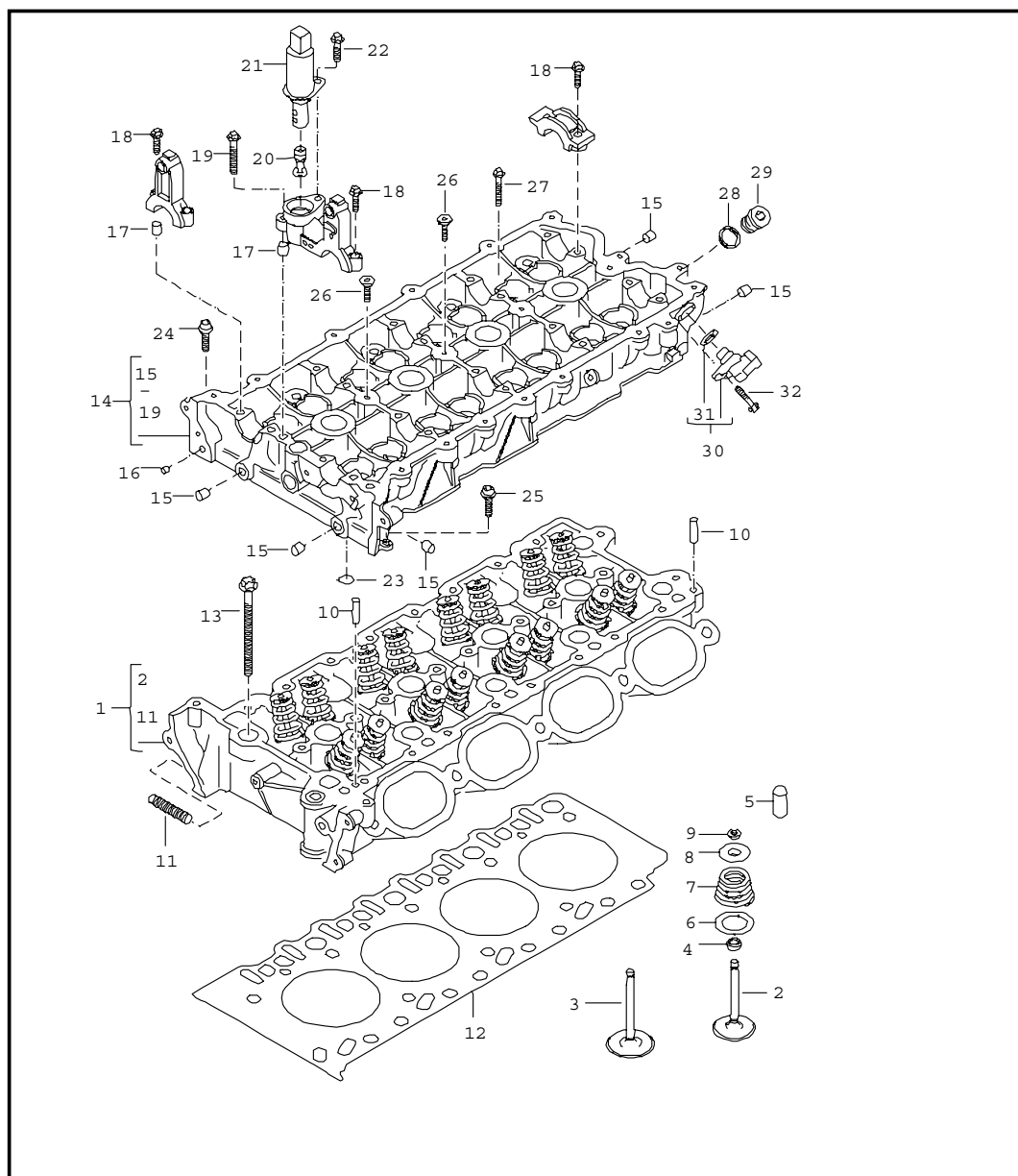
Pos	Part Number	Name	Remarks	Qty	Model
		piston piston rings see technical information group 1 NR.5 / 04			M48.00/50
1	948 103 031 34	piston tolerance range X number plate - 539 - 544 G		8	M48.00
(1)	948 103 031 33	piston tolerance range X number plate + 545 - 550 G		8	M48.00
(1) U	948 103 031 64	piston tolerance range X number plate - 539 - 544 G		8	M48.50
(1)	948 103 031 69	piston tolerance range X number plate - 539,1 - 544,1 G		8	M48.50
(1) U	948 103 031 63	piston tolerance range X number plate + 545 - 550 G		8	M48.50
(1)	948 103 031 68	piston tolerance range X number plate + 545,1 - 550,1 G		8	M48.50
2	996 103 033 51	set of piston rings		8	M48.00
(2)	948 103 931 01	set of piston rings		8	M48.50
3	948 103 341 00	snap ring		16	
- - - E N D - - -					

Model	Year	MG	SG	Illustration	Restrictions	Update	18:23	16.08.2006	PORSCHE	PET	PORSCHE
9pa	06	1	02	102-06		203					



Pos	Part Number	Name	Remarks	Qty	Model
		piston piston rings	04-		M02.2Y
1	955 103 031 00	piston complete		6	
2	955 103 925 00	set of piston rings		6	
3	N 012 273 1	circlip C 20 X 1,5		12	
		- - - E N D - - -			

Model	Year	MG	SG	Illustration	Restrictions	Update	18:23	16.08.2006	PORSCHE	PET	PORSCHE
9pa	06	1	03	103-00		203					



Pos	Part Number	Name	Remarks	Qty	Model
		cylinder head camshaft housing			M48.00/50
1	948 104 013 01	cylinder head cyl. 1 - 4 M >> 816 04843		1	M48.00
(1)	948 104 013 03	cylinder head cyl. 1 - 4 M 816 04844 >>		1	M48.00
1	U 948 104 913 01	cylinder head cyl. 1 - 4		1	M48.00
(1)	948 104 013 50	cylinder head cyl. 1 - 4		1	M48.50
(1)	U 948 104 913 50	cylinder head cyl. 1 - 4		1	M48.50
(1)	948 104 014 01	cylinder head cyl. 5 - 8 M >> 816 04843		1	M48.00
(1)	948 104 014 03	cylinder head cyl. 5 - 8 M 816 04844 >>		1	M48.00
(1)	U 948 104 914 01	cylinder head cyl. 5 - 8		1	M48.00
(1)	948 104 014 50	cylinder head cyl. 5 - 8		1	M48.50
(1)	U 948 104 914 50	cylinder head cyl. 5 - 8		1	M48.50
2	948 105 312 00	exhaust valve		16	M48.00
(2)	948 105 312 52	exhaust valve		16	M48.50
3	948 105 311 01	intake valve		16	
4	996 105 115 52	valve stem seal		32	
5	000 043 204 46	sleeve for repair valve stem seal		X	
6	996 105 117 51	concave washer lower		32	M48.00
(6)	996 105 117 51	concave washer lower intake		16	M48.50

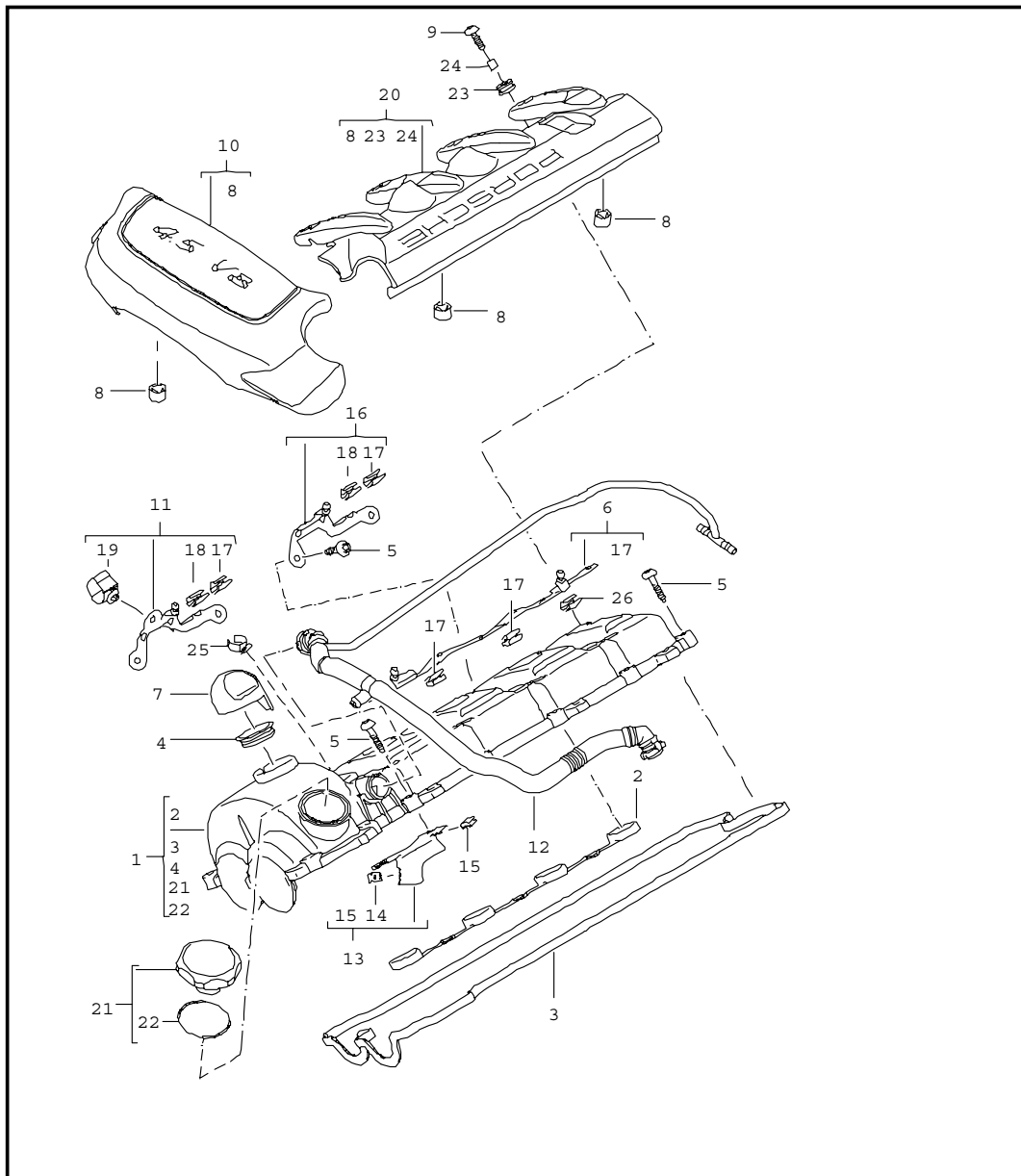
Model	Year	MG	SG	Illustration	Restrictions	Update	18:23	16.08.2006	PORSCHE	PET	PORSCHE
9pa	06	1	03	103-00		203					

Pos	Part Number	Name	Remarks	Qty	Model	Pos	Part Number	Name	Remarks	Qty	Model
(6)	996 105 117 73	concave washer lower exhaust		16	M48.50	(14)	948 105 021 07	camshaft housing cyl. 1 - 4	05-	1	
7	996 105 119 53	valve spring		32	M48.00	(14) A	948 105 022 05	camshaft housing cyl. 5 - 8		1	
7	996 105 119 53	valve spring		16	M48.50	(14)	948 105 022 06	camshaft housing cyl. 5 - 8	-04	1	
(7)	948 105 093 51	set of valve springs		16	M48.50	(14)	948 105 022 07	camshaft housing cyl. 5 - 8	05-	1	
8	996 105 121 54	concave washer upper		32	M48.00	15	999 501 028 30	plug		10	
8	996 105 121 54	concave washer upper		16	M48.50	16	999 095 049 00	dowel sleeve 7 X 8 camshaft housing cyl. 1 - 4		1	
(8)	996 105 121 73	concave washer upper		16	M48.50	17	944 104 361 00	dowel sleeve 6,5 X 8,5		8	
9	996 105 123 52	valve collet		64		18	900 385 017 09	torx screw BM 6 X 35	-04	42	
10	999 012 052 00	straight pin 6,0 X 14		4		(18)	900 385 017 09	torx screw BM 6 X 35	05-	38	
11	900 191 002 02	threaded bolt M 8 X 40		24		19	900 385 276 09	torx screw BM 6 X 60	05-	4	
12 A	948 104 171 04	cylinder head gasket cyl. 1 - 4		1		20	996 105 703 01	oil strainer	05-	2	
(12)	948 104 171 05	cylinder head gasket cyl. 1 - 4 M >> 816 01812 M >> 826 01064		1		21	948 105 303 05	actuator camshaft	-04	2	
(12)	948 104 171 06	cylinder head gasket cyl. 1 - 4 M 816 01813 >> M 826 01065 >>		1		(21)	948 105 303 06	actuator camshaft	05-	2	
(12)	948 104 172 04	cylinder head gasket cyl. 5 - 8 M >> 816 02151 M >> 826 01216		1		-	996 105 903 05	o-ring 18,72 X 2,62 for actuator		2	
(12)	948 104 172 05	cylinder head gasket cyl. 5 - 8 M 816 02152 >> M 826 01217 >>		1		22	900 385 009 09	torx screw BM 6 X 16	-04	2	
13	948 104 181 01	screw M 12 X 1,5 X 140		20		23	999 707 386 40	o-ring 12,37 X 2,62-N		2	
14 A	948 105 021 05	camshaft housing cyl. 1 - 4		1		24	999 219 043 09	pan-head screw M 8 X 30		2	
(14)	948 105 021 06	camshaft housing cyl. 1 - 4	-04	1		25	999 219 042 09	pan-head screw M 8 X 20		2	

Model	Year	MG	SG	Illustration	Restrictions	Update	18:23	16.08.2006	PORSCHE	PET	PORSCHE
9pa	06	1	03	103-00		203					

Pos	Part Number	Name	Remarks	Qty	Model	Pos	Part Number	Name	Remarks	Qty	Model
26	948 105 209 00	hexagon-head bolt camshaft housing cyl. 1 - 4		2							
27	900 385 018 09	torx screw BM 8 X 45		52							
28	900 123 007 30	sealing ring 14 X 18		4	M48.00						
(28)	900 123 007 30	sealing ring 14 X 18		2	M48.50						
29	900 219 018 30	screw plug M 14 X 1,5		4	M48.00						
(29)	900 219 018 30	screw plug M 14 X 1,5		2	M48.50						
30	996 606 106 02	hall sender		2							
31	999 707 404 40	o-ring 17,05 X 1,78-N		2							
32	900 385 009 09	torx screw BM 6 X 16		2							
-	000 043 204 58	sealing compound 1 tube 30 gr. for camshaft housing cylinder head		X							
		- - - E N D - - -									

Model	Year	MG	SG	Illustration	Restrictions	Update	18:24	16.08.2006	PORSCHE	PET	PORSCHE
9pa	06	1	03	103-01		203					

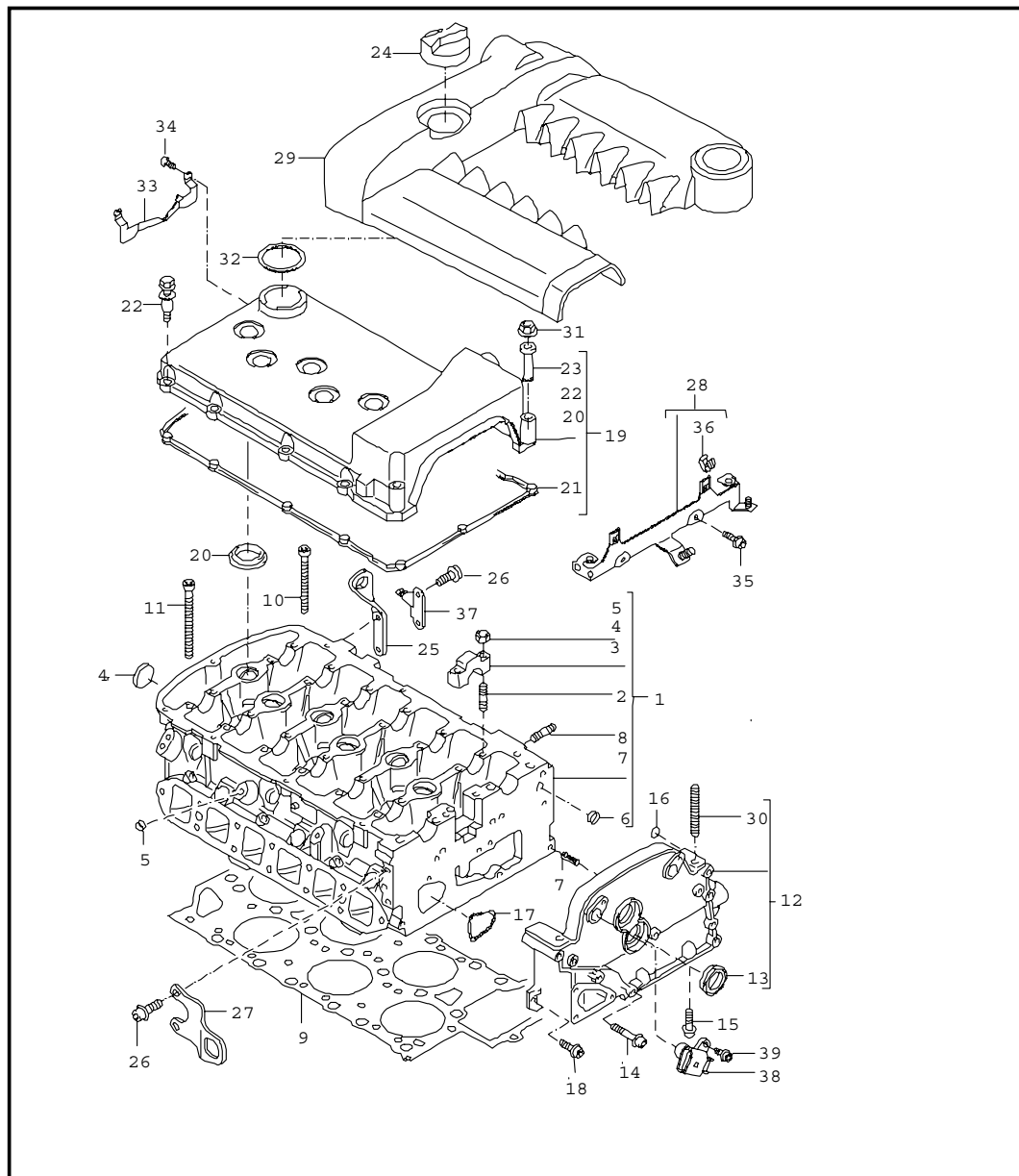


Pos	Part Number	Name	Remarks	Qty	Model
		valve cover engine cover			M48.00/50
		see technical information group 1 NR.7 / 03			
1	948 105 131 06	valve cover cyl. 1 - 4 M >> 815 05518 M >> 825 02710		1	
(1)	948 105 131 07	valve cover cyl. 1 - 4 M 815 05519 >> M 825 02711 >>		1	
(1)	948 105 132 06	valve cover cyl. 5 - 8 M >> 815 05518 M >> 825 02710		1	
(1)	948 105 132 07	valve cover cyl. 5 - 8 M 815 05519 >> M 825 02711 >>		1	
2	948 105 933 00	gasket		2	
3	948 105 931 03	gasket cyl. 1 - 4		1	
(3)	948 105 932 05	gasket cyl. 5 - 8		1	
4	948 105 934 00	gasket		2	
5	999 073 341 0A	round head screw M 6 X 30		35	
6	U 948 105 201 02	support cyl. 1 - 4		1	
(6)	948 105 201 03	support cyl. 1 - 4		1	
7	948 607 140 00	cap		2	
8	955 110 236 00	ball socket		8	
9	955 105 255 00	torx screw M 5 X 16		8	
10	A 955 110 213 00	cover		1	M48.00
(10)	955 110 213 01	cover		1	M48.00
(10)	A 955 110 213 10	cover		1	M48.50

Model	Year	MG	SG	Illustration	Restrictions	Update	18:24	16.08.2006	PORSCHE	PET	PORSCHE
9pa	06	1	03	103-01		203					

Pos	Part Number	Name	Remarks	Qty	Model	Pos	Part Number	Name	Remarks	Qty	Model
(10)	955 110 213 11	cover		1	M48.50	24	955 110 825 00	sleeve		8	
11	U 948 105 202 00	support cyl. 5 - 8		1		25	999 507 798 09	cable clamp 5,1		1	M48.00
(11)	948 105 202 01	support cyl. 5 - 8		1		26	999 652 326 02	cable clamp 3,5 - 4,0		4	M48.00
12	948 107 215 52	vent line bleeding crankcase		1	M48.50	(26)	999 652 326 02	cable clamp 3,5 - 4,0		2	M48.50
(12)	948 107 215 02	vent line bleeding crankcase	-04	1	M48.00			- - - E N D - - -			
(12)	948 107 215 03	vent line bleeding crankcase	05-	1	M48.00						
13	948 606 111 01	support line oxygen sensor		1							
14	999 507 808 09	cable holder 6,0		1							
15	999 651 152 02	cable clamp 3,5 - 4,0		1							
16	U 948 105 203 00	support cyl. 5 - 8		1							
(16)	948 105 203 01	support cyl. 5 - 8		1							
17	999 651 159 02	cable clamp 13 - 15		4							
18	999 591 360 02	cable holder		2							
19	999 507 370 40	hose holder 23,0 - A		1							
20	955 105 141 00	cover cyl. 1 - 4		1							
(20)	955 105 142 00	cover cyl. 5 - 8		1							
21	948 107 035 01	cover oil inlet		1							
22	996 107 336 00	gasket cover		1							
23	955 110 638 00	grommet		8							

Model	Year	MG	SG	Illustration	Restrictions	Update	18:24	16.08.2006	PORSCHE	PET	PORSCHE
9pa	06	1	03	103-02		203					

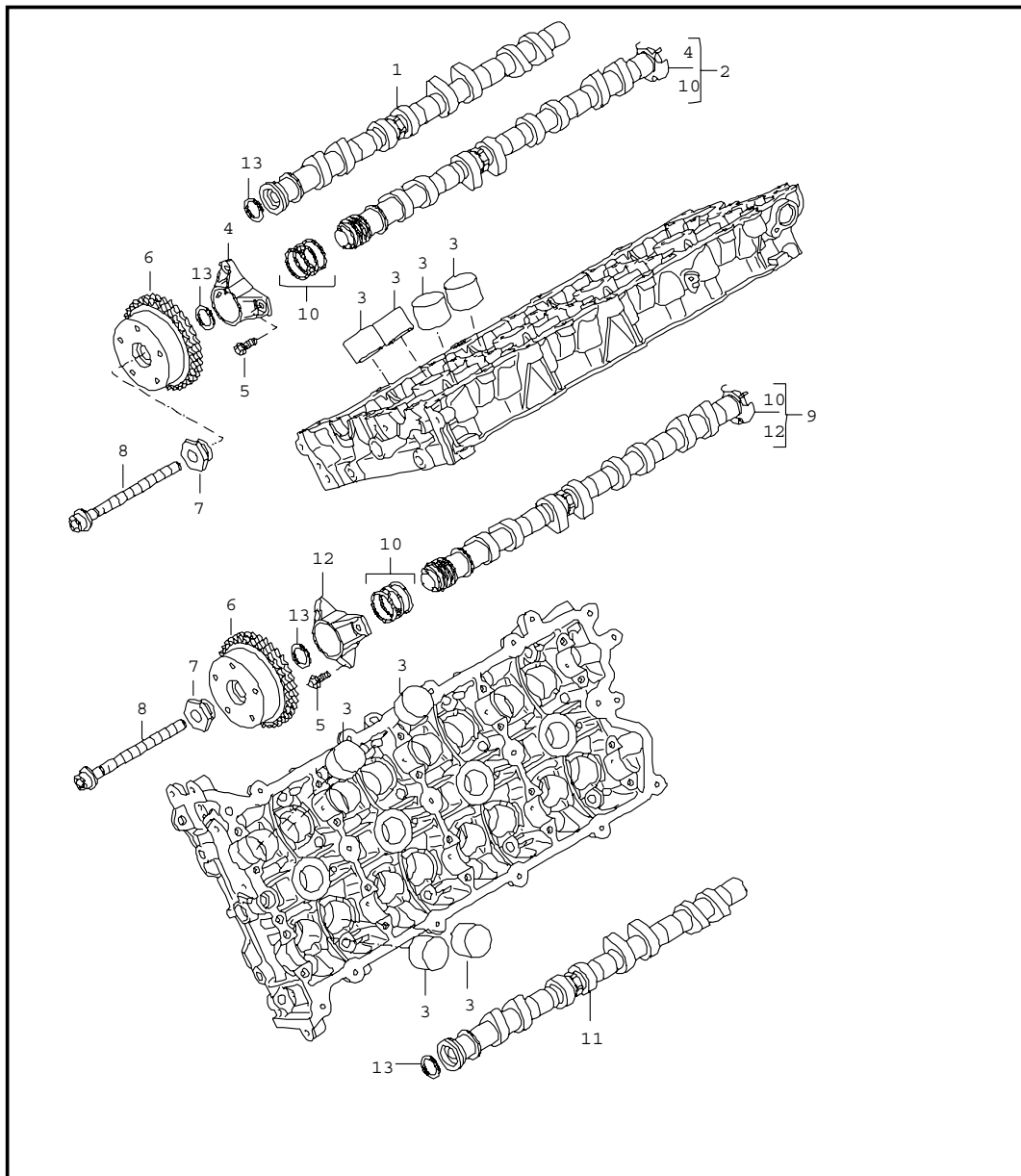


Pos	Part Number	Name	Remarks	Qty	Model
		cylinder head cylinder head cover engine cover	04-		M02.2Y
1	955 104 901 00	cylinder head without valves		1	
2	955 104 397 00	stud M 7 X 45		28	
3	N 902 790 01	hexagon nut M 7		28	
4	N 908 982 02	cover B 30		1	
5	N 011 910 2	cover 10 MM	04	2	
(5)	N 011 910 3	cover 10 MM	05-	2	
6	N 102 186 01	cover 15 MM		1	
7	N 903 327 01	roll pin 9 X 11,8		4	
8	N 044 411 05	stud M 8 X 30		14	
9	955 104 383 00	cylinder head gasket		1	
10	955 104 384 00	pan-head screw M 10 X 1,5 X 111		13	
11	955 104 384 10	pan-head screw M 10 X 1,5 X 141		7	
12	955 104 122 00	control box cover upper		1	
-	000 043 300 32	sealing compound 1 tube 83 ml. for cylinder head gasket control box cover		X	
-	000 043 300 39	sealing compound 1 tube 50 ml. for control box cover upper		X	
13	955 104 091 00	gasket		2	

Model	Year	MG	SG	Illustration	Restrictions	Update	18:24	16.08.2006	PORSCHE	PET	PORSCHE
9pa	06	1	03	103-02		203					

Pos	Part Number	Name	Remarks	Qty	Model	Pos	Part Number	Name	Remarks	Qty	Model
14	N 101 023 02	pan-head screw M 6 X 70		6		(32)	955 104 287 01	sealing ring	05-	1	
15	N 903 559 02	screw M 8 X 30	-05	2		33	955 607 209 00	support		1	
(15)	N 903 559 03	screw M 8 X 30	06-	2		34	N 103 352 02	oval-head screw M 6 X 12		2	
16	N 900 411 02	round seal 8 X 3		1		35	N 102 480 01	pan-head screw M 6 X 14	-05	2	
17	955 104 119 00	sealing ring		1		(35)	N 102 480 03	pan-head screw M 6 X 14	06-	2	
18	N 102 278 03	screw M 6 X 20		1		36	N 910 091 01	cable clamp 7,9 - 8,1		2	
19	955 104 429 00	cylinder head cover		1		37	955 607 210 00	support		1	
20	955 104 484 00	gasket	04	6		38	955 606 106 00	hall sender		2	
(20)	955 104 484 01	gasket	05-	6		39	N 101 154 03	pan-head screw M 6 X 18	-05	2	
21	955 104 483 00	gasket		1		(39)	N 911 322 01	oval-head screw M 6 X 16	06-	2	
22	955 104 831 00	hexagon-head bolt with guide sleeve		9				- - - E N D - - -			
23	955 104 831 10	guide sleeve		2							
--	N 910 083 01	cable clamp 8 X 11,9 X 0,5		2							
24	955 104 485 00	cover		1							
25	955 104 390 00	plate		1							
26	N 090 378 2	screw M 8 X 25	-05	4							
(26)	N 910 842 01	screw M 8 X 25	06-	4							
27	955 104 392 00	shackle for transportation		1							
28	955 104 501 00	support		1							
29	955 104 925 00	engine cover		1							
30	N 102 771 01	stud M 6 X 25		2							
31	N 015 082 13	hexagon nut M 6		2							
32	955 104 287 00	sealing ring	04	1							

Model	Year	MG	SG	Illustration	Restrictions	Update	18:24	16.08.2006	PORSCHE	PET	PORSCHE
9pa	06	1	03	103-10		203					

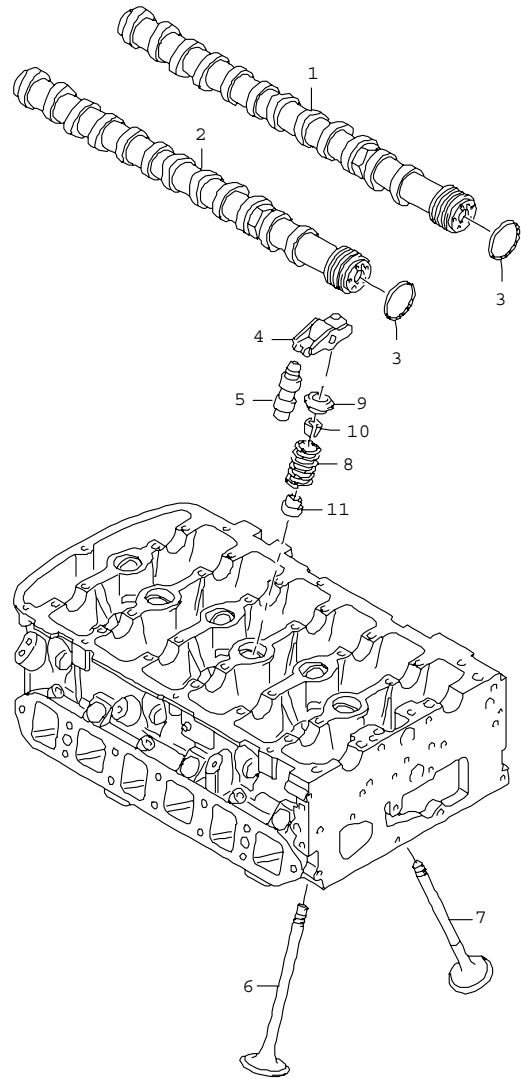


Pos	Part Number	Name	Remarks	Qty	Model
		camshaft			M48.00/50
1	948 105 212 04	camshaft exhaust cyl. 1 - 4		1	M48.00
(1)	948 105 212 54	camshaft exhaust cyl. 1 - 4		1	M48.50
2	948 105 011 07	camshaft intake cyl. 1 - 4 M	>> 816 10312	1	M48.00
(2)	948 105 011 08	camshaft intake cyl. 1 - 4 M 816 10313	>>	1	M48.00
(2)	948 105 011 57	camshaft intake cyl. 1 - 4 M	>> 826 04179	1	M48.50
(2)	948 105 011 58	camshaft intake cyl. 1 - 4 M 826 04180	>>	1	M48.50
3	996 105 041 72	hydraulic valve tappet		32	
4	948 105 215 02	bearing flange cyl. 1 - 4		1	
5	900 385 009 09	torx screw BM 6 X 16		6	
6	948 105 051 04	camshaft adjuster		2	
7	948 105 218 01	sleeve		2	
8	948 104 181 01	screw M 12 X 1,5 X 140		2	
9	948 105 013 07	camshaft intake cyl. 5 - 8 M	>> 816 10312	1	M48.00
(9)	948 105 013 08	camshaft intake cyl. 5 - 8 M 816 10313	>>	1	M48.00

Model	Year	MG	SG	Illustration	Restrictions	Update	18:24	16.08.2006	PORSCHE	PET	PORSCHE
9pa	06	1	03	103-10		203					

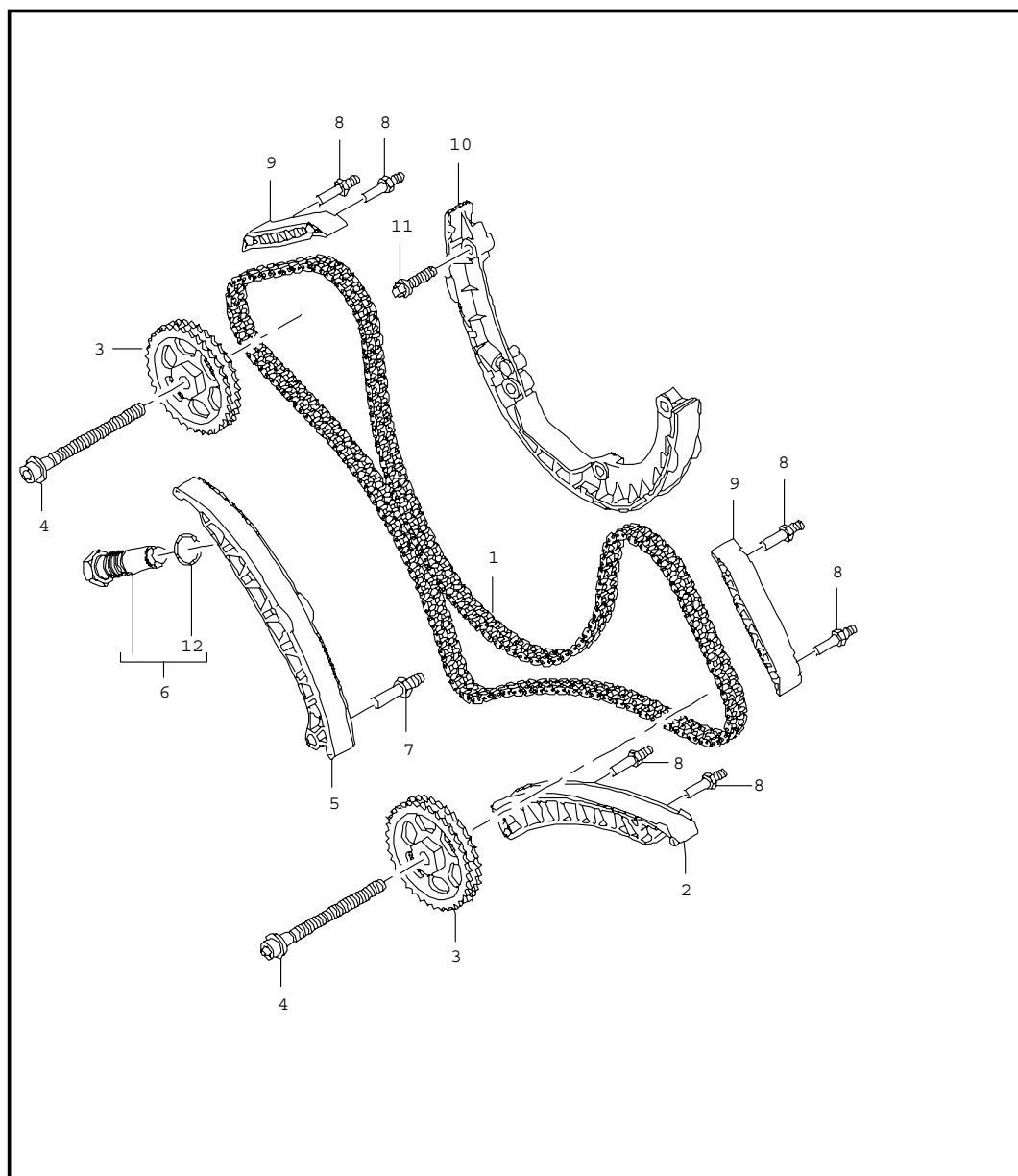
Pos	Part Number	Name	Remarks	Qty	Model	Pos	Part Number	Name	Remarks	Qty	Model
(9)	948 105 013 57	camshaft intake cyl. 5 - 8 M >> 826 04179		1	M48.50						
(9)	948 105 013 58	camshaft intake cyl. 5 - 8 M 826 04180 >>		1	M48.50						
10	A 996 105 280 70	ring		6							
(10)	996 105 979 70	ring		6							
11	948 105 214 04	camshaft exhaust cyl. 5 - 8		1	M48.00						
(11)	948 105 214 54	camshaft exhaust cyl. 5 - 8		1	M48.50						
12	948 105 216 02	bearing flange cyl. 5 - 8		1							
13	996 105 203 00	washer		4							
		- - - E N D - - -									

Model	Year	MG	SG	Illustration	Restrictions	Update	18:24	16.08.2006	PORSCHE	PET	PORSCHE
9pa	06	1	03	103-12		203					



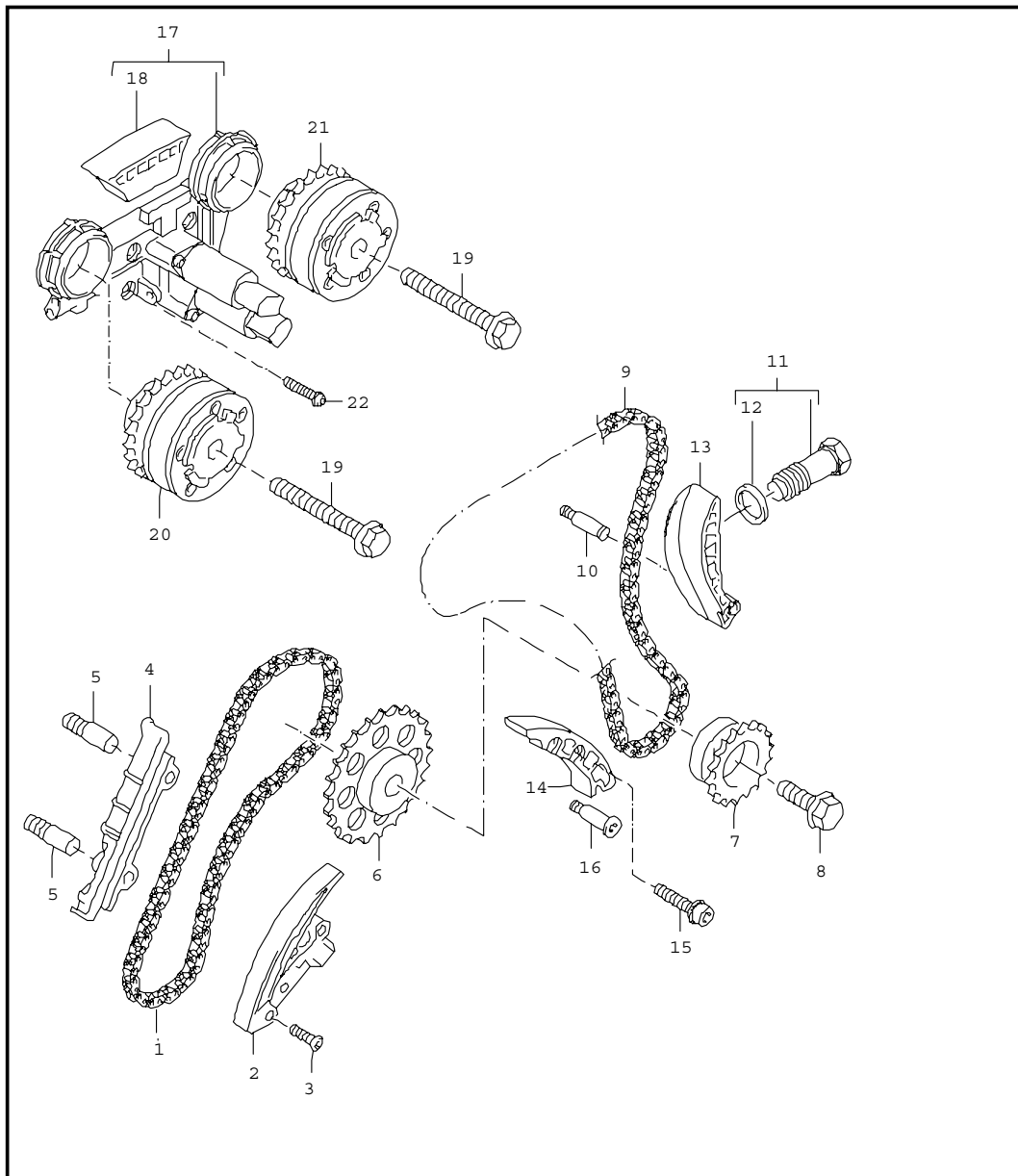
Pos	Part Number	Name	Remarks	Qty	Model
		camshaft	04-		M02.2Y
1	955 105 101 00	camshaft exhaust		1	
2	955 105 102 00	camshaft intake		1	
3	955 105 345 00	sealing ring 40 X 1,5	-05	6	
(3)	955 105 345 01	sealing ring 40 X 1,5	06-	6	
4	A 955 105 417 00	valve lever		24	
(4)	955 105 417 10	valve lever		24	
5	955 105 423 00	differential housing hydraulic	-05	24	
(5)	955 105 423 01	differential housing hydraulic	06-	24	
6	955 105 601 00	intake valve short		6	
(6)	955 105 601 10	intake valve long		6	
7	955 105 611 00	exhaust valve short		6	
(7)	955 105 611 10	exhaust valve long		6	
8	955 105 623 00	valve spring		24	
9	955 105 641 00	concave washer		24	
10	955 105 651 00	valve collet		48	
(10)	U 955 105 651 10	valve collet		48	
11	996 105 115 52	valve stem seal		24	
-	000 043 204 46	sleeve for repair valve stem seal		1	
- - - E N D - - -					

Model	Year	MG	SG	Illustration	Restrictions	Update	18:25	16.08.2006	PORSCHE	PET	PORSCHE
9pa	06	1	03	103-15		203					



Pos	Part Number	Name	Remarks	Qty	Model
		valve control			M48.00/50
1	948 105 169 02	chain		1	
2	948 105 068 02	guide piece		1	
3	948 105 181 01	sprocket camshaft exhaust		2	
4	948 104 181 01	screw M 12 X 1,5 X 140		2	
5	948 105 065 02	tensioner blade		1	
6	948 105 180 02	chain adjuster		1	
7	999 015 022 01	threaded bolt M 10 X 25		1	
8	999 015 021 01	threaded bolt M 8 X 25		6	
9	948 105 166 02	guide piece		2	
10	948 105 023 02	guide piece		1	
11	900 385 042 09	torx screw BM 8 X 35		4	
12	900 123 141 30	sealing ring A 25 X 30		1	
- - - E N D - - -					

Model	Year	MG	SG	Illustration	Restrictions	Update	18:25	16.08.2006	PORSCHE	PET	PORSCHE
9pa	06	1	03	103-16		203					

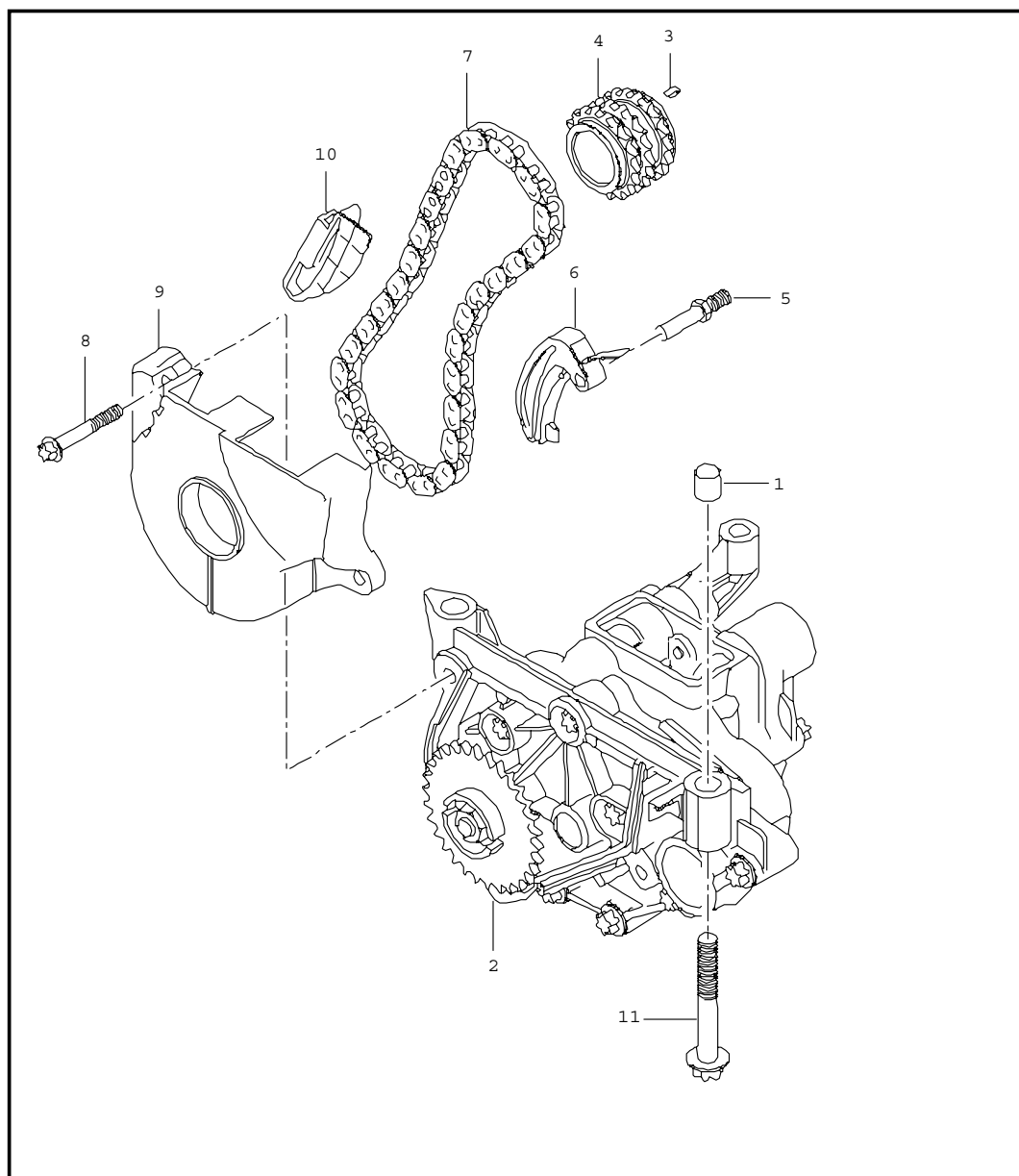


Pos	Part Number	Name	Remarks	Qty	Model
		valve control	04-		M02.2Y
1	955 105 465 00	timing chain		1	
2	955 105 467 00	chain adjuster		1	
3	N 909 238 01	oval-head screw M 6 X 24		2	
4	955 105 469 00	guide piece		1	
5	955 105 471 00	bolt		2	
6	955 105 569 00	sprocket		1	
7	U 955 105 570 00	sprocket		1	
(7)	955 105 570 01	sprocket		1	
8	N 102 038 03	hexagon-head bolt M 12 X 1,5 X 40		1	
9	955 105 503 00	timing chain	-05	1	
(9)	955 105 503 01	timing chain	06-	1	
10	955 105 511 00	bolt		1	
11	955 105 507 00	chain adjuster	-05	1	
(11)	955 105 507 01	chain adjuster	06-	1	
12	N 013 827 1	sealing ring A 22 X 27		1	
13	955 105 509 00	tensioner blade		1	
14	955 105 513 00	guide piece		1	
15	N 902 006 01	pan-head screw M 8 X 45		2	
16	955 105 515 00	bolt		1	
17	955 105 210 00	timing chain housing with actuator M >> 616 04566		1	
(17)	955 105 210 01	timing chain housing with actuator M 616 04567 >>		1	
18	955 105 514 00	guide piece		1	

Model	Year	MG	SG	Illustration	Restrictions	Update	18:25	16.08.2006	PORSCHE	PET	PORSCHE
9pa	06	1	03	103-16		203					

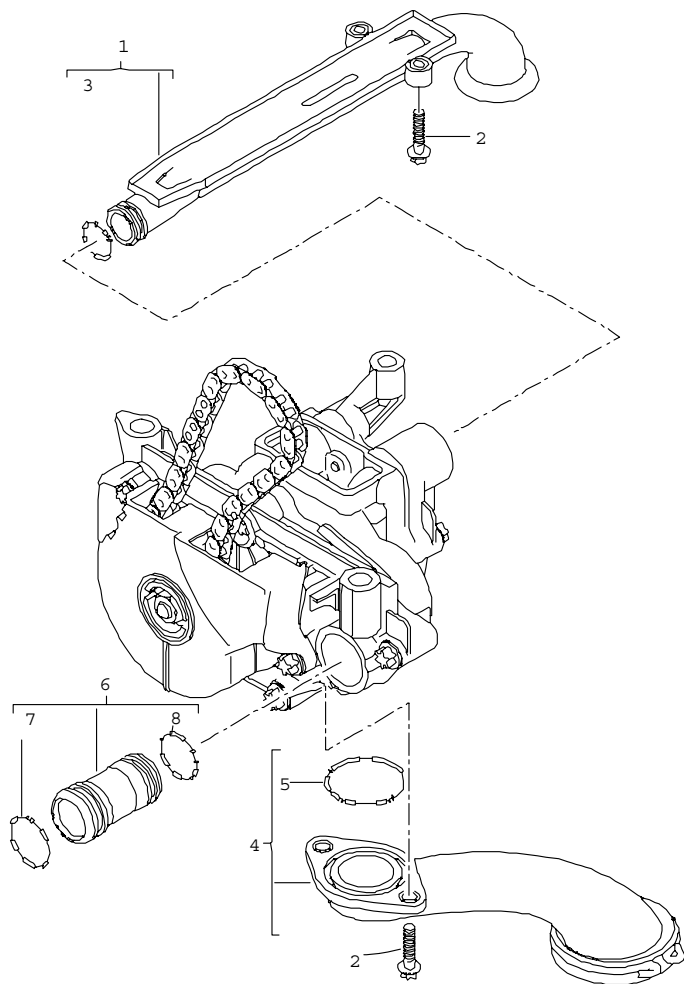
Pos	Part Number	Name	Remarks	Qty	Model	Pos	Part Number	Name	Remarks	Qty	Model
19	N 104 883 02	hexagon-head bolt M 12 X 1,5 X 85		2							
20	955 105 087 00	camshaft adjuster intake	04	1							
(20)	955 105 087 01	camshaft adjuster intake	05-	1							
21	955 105 088 00	camshaft adjuster exhaust	04	1							
(21)	955 105 088 01	camshaft adjuster exhaust	05-	1							
22	N 909 658 01	pan-head screw M 6 X 30		4							
		- - - E N D - - -									

Model	Year	MG	SG	Illustration	Restrictions	Update	18:25	16.08.2006	PORSCHE	PET	PORSCHE
9pa	06	1	04	104-00		203					



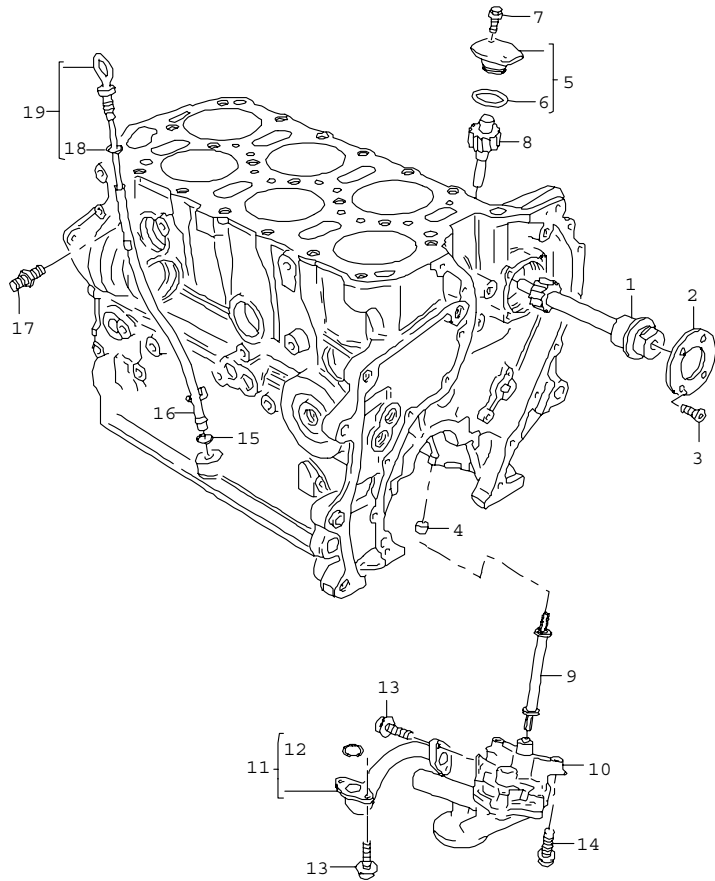
Pos	Part Number	Name	Remarks	Qty	Model
		oil pump driving mechanism			M48.00/50
1	999 095 064 00	dowel sleeve 12 X 13		2	
2	948 107 010 11	oil pump		1	
3	N 012 713 1	woodruff key 5 X 6,5		1	
4	948 102 231 02	sprocket		1	
5	999 015 021 01	threaded bolt M 8 X 25		1	
6	948 107 025 01	tensioner blade		1	
7	948 107 252 00	chain		1	
8	999 067 381 02	torx screw M 5 X 20		2	
9	948 107 253 06	cover		1	
10	948 107 251 01	guide piece		1	
11	900 385 021 09	torx screw BM 8 X 50		3	
- - - E N D - - -					

Model	Year	MG	SG	Illustration	Restrictions	Update	18:25	16.08.2006	PORSCHE	PET	PORSCHE
9pa	06	1	04	104-01		203					



Pos	Part Number	Name	Remarks	Qty	Model
		oil pump suction tube			M48.00/50
1	948 107 032 06	intake manifold oil supply		1	
2	900 385 072 09	torx screw BM 6 X 25		4	
3	999 707 513 40	o-ring 23,60 X 3,55		1	
4	948 107 028 07	suction tube		1	
5	999 707 530 40	o-ring 34,52 X 3,53		1	
6	948 107 050 04	socket		1	
7	999 707 497 40	o-ring 25,00 X 3,00		1	
8	999 707 496 40	o-ring 23,00 X 3,00		1	
- - - E N D - - -					

Model	Year	MG	SG	Illustration	Restrictions	Update	18:26	16.08.2006	PORSCHE	PET	PORSCHE
9pa	06	1	04	104-02		203					

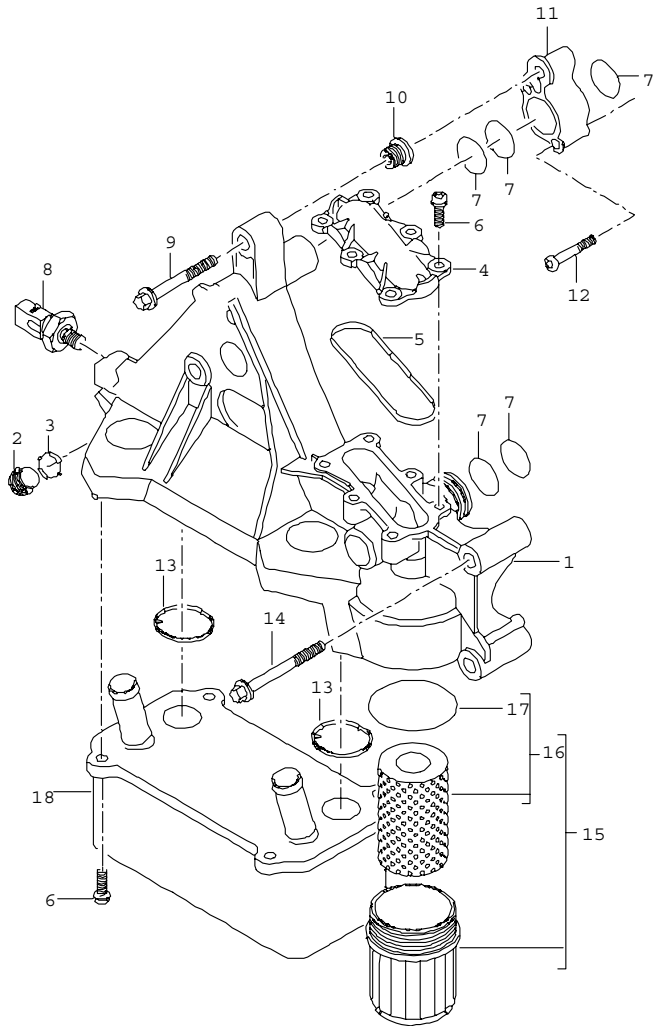


Pos	Part Number	Name	Remarks	Qty	Model
		oil pump oil level dipstick	04-		M02.2Y
1	955 107 017 00	intermediate shaft		1	
2	955 107 033 00	guide ring M >> BFD 14233 M >> BFD 16255		1	IGOR IGOL
3	N 033 166 3	countersunk-head screw M 6 X 10 M >> BFD 14233 M >> BFD 16255		4	IGOR IGOL
4	955 107 112 00	bush		1	
5	955 107 185 00	cover		1	
6	N 905 315 01	round seal 36,2 X 2,62		1	
7	N 100 829 06	screw M 6 X 16		2	
8	955 107 116 00	drive shaft with wheel		1	
9	955 107 279 00	driver		1	
10	955 107 105 00	oil pump		1	
11	955 107 203 00	suction tube		1	
12	955 107 444 00	sealing ring		1	
13	N 102 278 01	hexagon socket head bolt M 6 X 20		4	
14	N 903 559 02	screw M 8 X 30	-05	2	
(14)	N 903 559 03	screw M 8 X 30	06-	2	
15	N 900 672 02	round seal 9,5 X 2,5		1	
16	955 107 629 00	guide tube oil level dipstick		1	
17	...	double socket see illustrations 1/07/02		1	
18	955 107 625 00	sealing ring 5 X 1,9	04	1	

Model	Year	MG	SG	Illustration	Restrictions	Update	18:26	16.08.2006	PORSCHE	PET	PORSCHE
9pa	06	1	04	104-02		203					

Pos	Part Number	Name	Remarks	Qty	Model	Pos	Part Number	Name	Remarks	Qty	Model
(18)	N 908 138 02	o-ring 5 X 1,9	05-	1							
19	955 107 607 00	oil level dipstick 660 MM		1							
		- - - E N D - - -									

Model	Year	MG	SG	Illustration	Restrictions	Update	18:26	16.08.2006	PORSCHE	PET	PORSCHE
9pa	06	1	04	104-10		203					

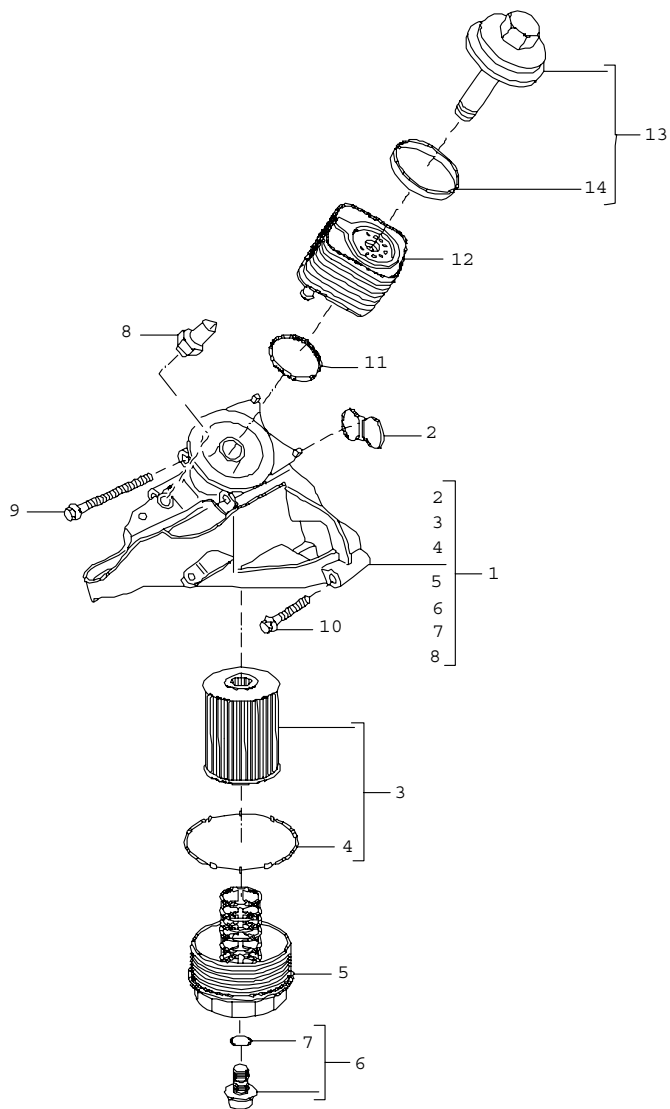


Pos	Part Number	Name	Remarks	Qty	Model
		oil filter bracket heat exchanger			M48.00/50
1	948 107 270 05	bracket		1	
2	900 219 008 02	screw plug M 26 X 1,5		1	
3	900 123 084 20	sealing ring A 26 X 31		1	
4	948 107 202 03	cover		1	
5	948 107 201 01	gasket		1	
6	999 141 034 02	oval-head screw M 6 X 20		10	
7	999 707 498 40	o-ring 27 X 3		5	
8	948 606 203 00	oil pressure switch		1	
9	900 385 021 09	torx screw M 8 X 50		1	
10	948 107 220 00	bush		1	
11	948 107 052 03	connection piece with o-ring		2	
12	999 073 244 09	oval-head screw M 6 X 40		2	
13	948 107 175 00	gasket		2	
14	900 385 029 09	torx screw M 8 X 70		2	
15	A 996 107 020 54	oil filter		1	
(15)	996 107 020 55	oil filter		1	
16	A 996 107 225 52	filter element with sealing ring		1	
(16)	996 107 225 53	filter element with sealing ring		1	
17	996 107 313 51	sealing ring		1	
18	948 107 276 02	heat exchanger		1	
		M >> 816 02114			
		M >> 826 04275			

Model	Year	MG	SG	Illustration	Restrictions	Update	18:26	16.08.2006	PORSCHE	PET	PORSCHE
9pa	06	1	04	104-10		203					

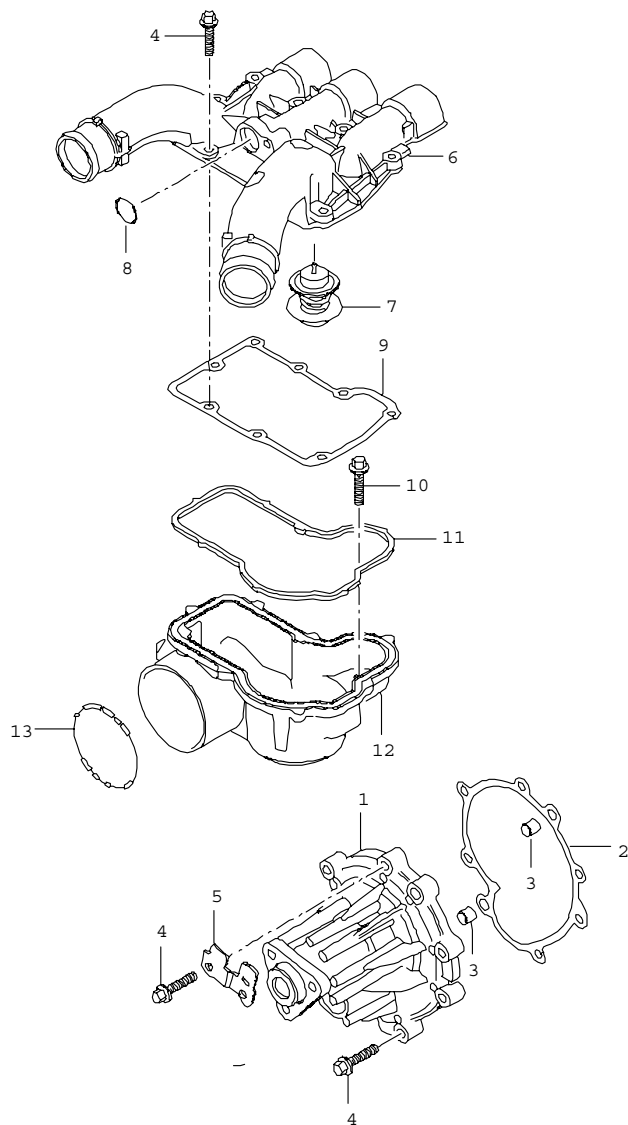
Pos	Part Number	Name	Remarks	Qty	Model	Pos	Part Number	Name	Remarks	Qty	Model
(18)	948 107 276 03	heat exchanger M 816 02115 >> M 826 04276 >> - - - E N D - - -		1							

Model	Year	MG	SG	Illustration	Restrictions	Update	18:26	16.08.2006	PORSCHE	PET	PORSCHE
9pa	06	1	04	104-11		203					



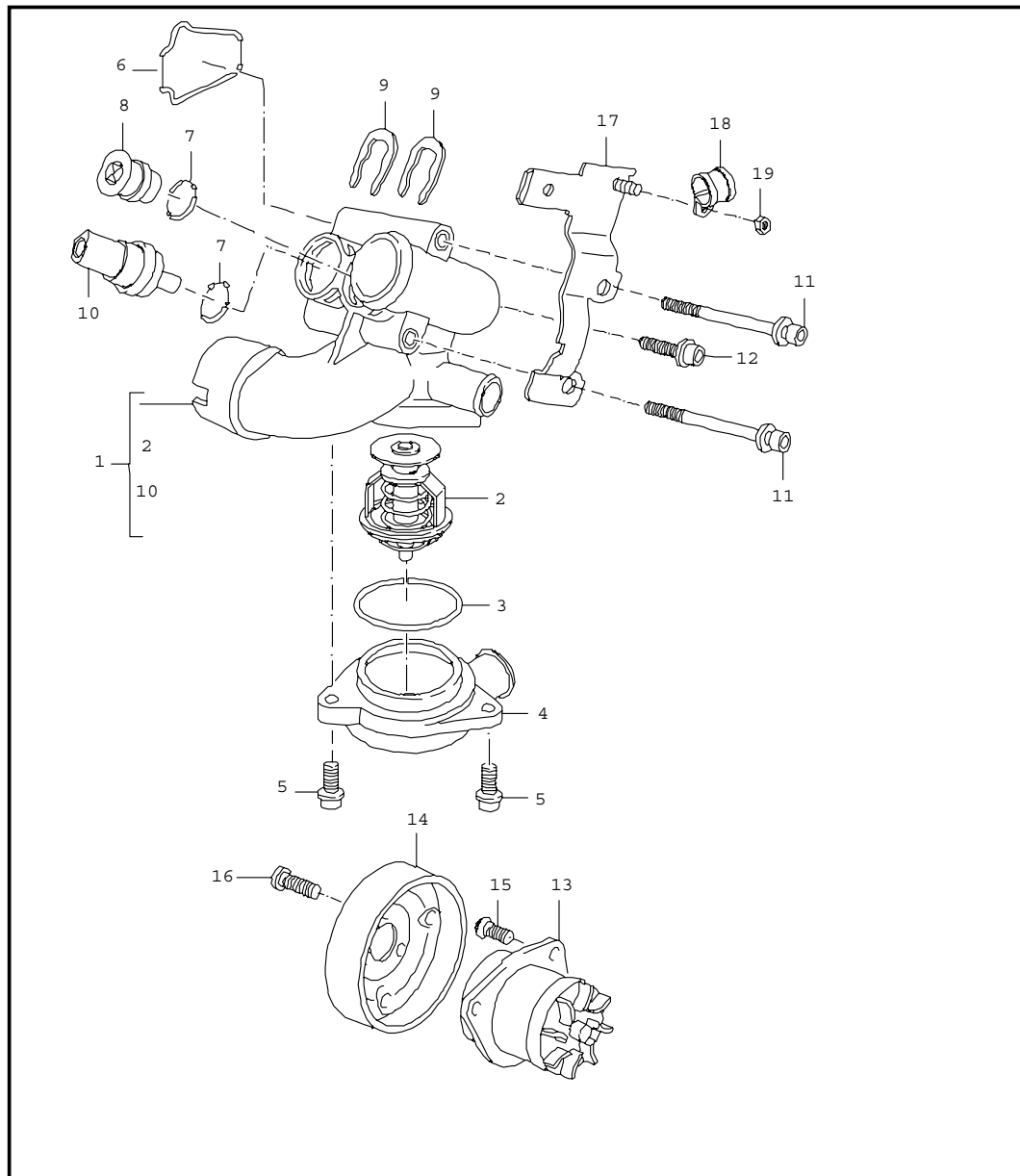
Pos	Part Number	Name	Remarks	Qty	Model
		oil filter bracket oil cooler	04-		M02.2Y
1	955 107 403 00	bracket with oil filter		1	
2	955 107 111 00	gasket		1	
3	955 107 561 00	filter element with sealing ring		1	
4	955 107 313 00	sealing ring		1	
5	955 107 433 00	housing filter element		1	
6	955 107 434 00	screw plug with o-ring		1	
7	N 904 054 02	o-ring 11 X 2,5		1	
8	955 606 091 00	oil pressure switch		1	
9	N 100 362 02	screw M 8 X 105		3	
10	N 902 120 02	screw M 8 X 65		2	
11	A 955 107 070 00	sealing ring		1	
(11)	955 107 070 01	sealing ring		1	
12	955 107 021 00	oil cooler		1	
13	955 107 061 00	cover with gasket	04	1	
(13)	955 107 061 01	cover with gasket	05-	1	
14	955 107 172 00	gasket		1	
- - - E N D - - -					

Model	Year	MG	SG	Illustration	Restrictions	Update	18:26	16.08.2006	PORSCHE	PET	PORSCHE
9pa	06	1	05	105-00		203					



Pos	Part Number	Name	Remarks	Qty	Model
		water pump thermostat housing			M48.00/50
1	U 948 106 011 03	water pump		1	
(1)	948 106 011 04	water pump		1	
2	948 106 115 03	gasket		1	
3	...	dowel sleeve see illustrations 1/01/05		2	
4	900 385 072 09	torx screw BM 6 X 25		16	
5	948 607 130 00	support		1	
6	A 948 106 130 04	thermostat housing	03	1	
(6)	948 106 130 05	thermostat housing	04-	1	
7	996 106 125 70	thermostat insert	-05	1	
(7)	996 106 125 72	thermostat insert	06-	1	
8	U 999 707 516 40	o-ring 20 X 2,65		1	
8	999 707 477 40	o-ring 19 X 3		1	
9	948 106 123 03	gasket		1	
10	900 385 009 09	torx screw BM 6 X 16		2	
11	948 106 401 01	sealing ring		1	
12	948 106 140 02	insert thermostat housing		1	
13	999 707 502 40	o-ring 50 X 3		1	
- - - E N D - - -					

Model	Year	MG	SG	Illustration	Restrictions	Update	18:26	16.08.2006	PORSCHE	PET	PORSCHE
9pa	06	1	05	105-02		203					

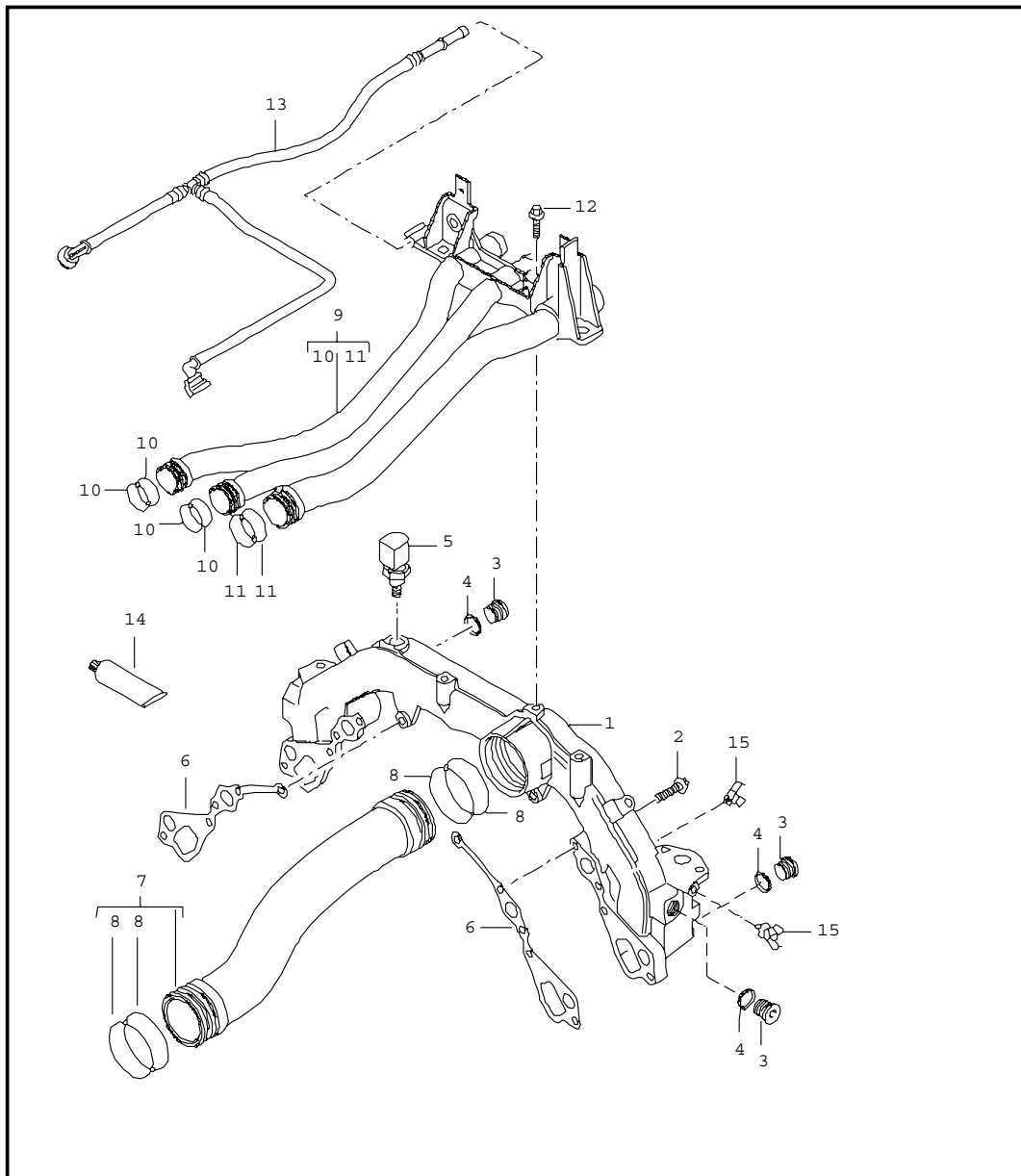


Pos	Part Number	Name	Remarks	Qty	Model
1	955 106 111 00	water pump thermostat housing complete	04-	1	M02.2Y
2	955 106 113 00	thermostat insert		1	
3	955 106 119 00	gasket 60 X 3,55		1	
4	955 106 121 00	connection piece		1	
5	N 907 716 01	screw M 6 X 20		3	
6	955 106 115 00	gasket thermostat housing		1	
7	N 903 168 01	round seal 19,6 X 3,65		2	
8	955 106 140 00	plug		1	
9	955 106 143 00	retainer spring		2	
10	955 106 125 00	temperature sensor		1	
11	N 104 583 01	screw M 6 X 120 X 80		2	
12	N 904 121 02	screw M 6 X 25		1	
13	955 106 011 00	water pump with gasket		1	
14	955 106 031 00	pulley		1	
15	N 105 268 01	oval-head screw M 6 X 18		3	
16	N 905 442 02	pan-head screw M 8 X 11	-05	3	
(16)	N 905 442 03	pan-head screw M 8 X 11	06-	3	
17	955 106 501 00	support		1	
18	N 102 599 01	clamp 14 X 15		1	
19	N 011 006 32	hexagon nut M 6		1	

Model	Year	MG	SG	Illustration	Restrictions	Update	18:26	16.08.2006	PORSCHE	PET	PORSCHE
9pa	06	1	05	105-02		203					

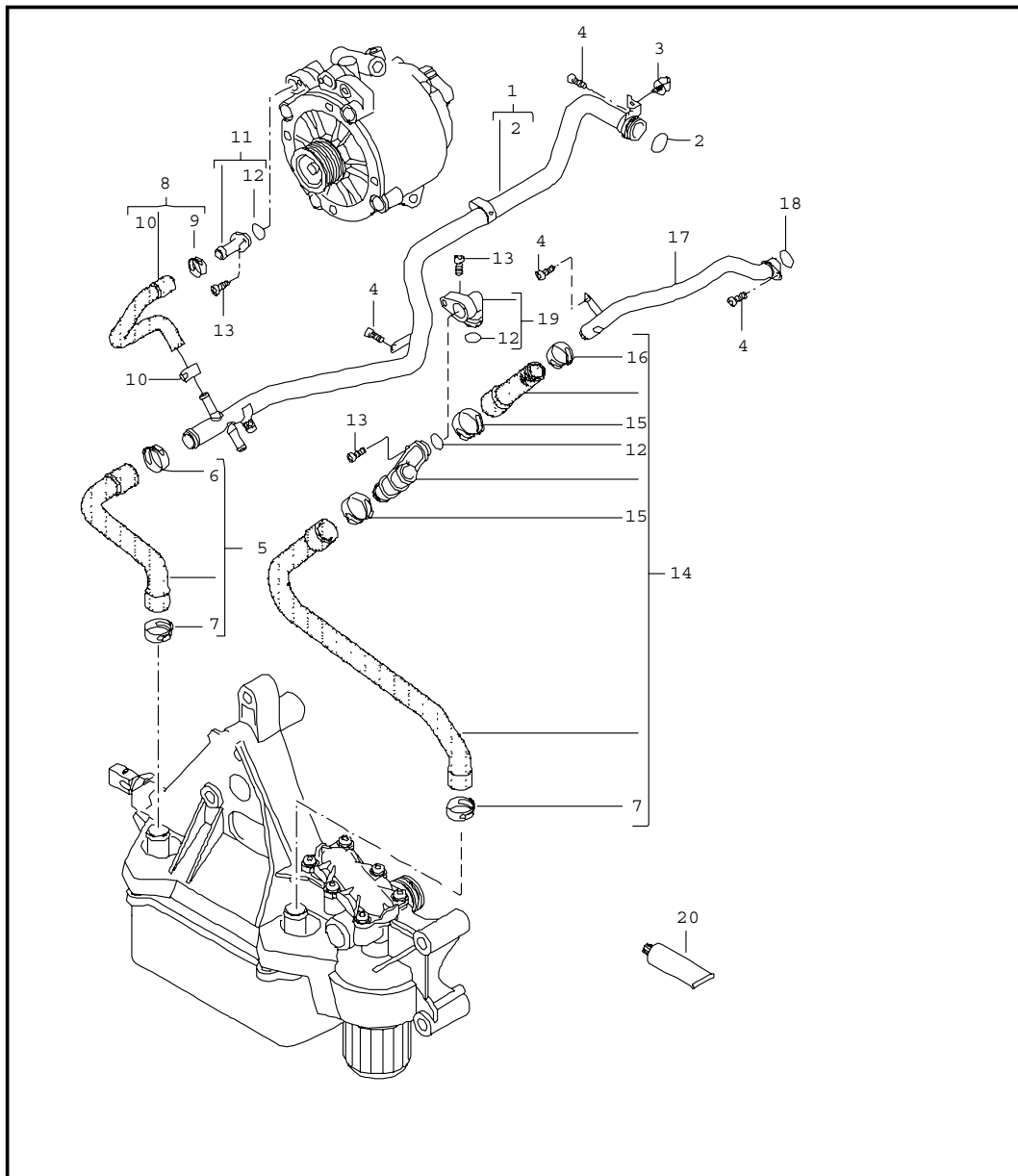
Pos	Part Number	Name	Remarks	Qty	Model	Pos	Part Number	Name	Remarks	Qty	Model
20	955 106 419 00	cover pulley		1							
		- - - E N D - - -									

Model	Year	MG	SG	Illustration	Restrictions	Update	18:27	16.08.2006	PORSCHE	PET	PORSCHE
9pa	06	1	05	105-05		203					



Pos	Part Number	Name	Remarks	Qty	Model
		water cooling 1			M48.00/50
1	948 106 151 04	distributor tube coolant		1	
2	900 385 072 09	torx screw BM 6 X 25		10	
3	900 219 004 02	screw plug M 16 X 1,5		3	M48.00
(3)	900 219 004 02	screw plug M 16 X 1,5		2	M48.50
4	900 123 131 30	sealing ring A 16 X 20		3	M48.00
(4)	900 123 131 30	sealing ring A 16 X 20		2	M48.50
5	996 606 410 00	temperature sensor		1	
6	948 106 153 05	gasket		2	
7	948 106 049 05	cooling water tube lower		1	
8	999 707 370 41	o-ring 47 X 4		4	
9	948 106 059 03	cooling water tube heating		1	
10	999 707 517 41	o-ring 22 X 3		4	
11	999 707 518 41	o-ring 28 X 3		2	
12	900 385 009 09	torx screw BM 6 X 16		3	
13	U 948 106 016 02	breather pipe		1	
(13)	948 106 016 03	breather pipe		1	
14	000 043 204 68	grease 1 50-g tube		1	
15	999 507 075 40	cable holder 3,0 - 12,0		2	
- - - E N D - - -					

Model	Year	MG	SG	Illustration	Restrictions	Update	18:27	16.08.2006	PORSCHE	PET	PORSCHE
9pa	06	1	05	105-10		203					

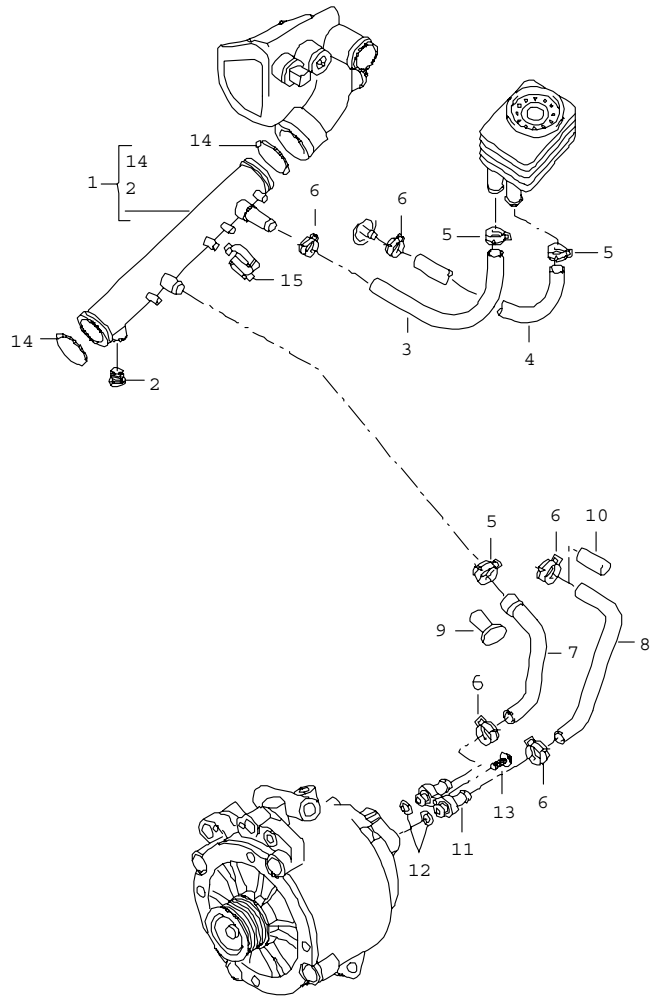


Pos	Part Number	Name	Remarks	Qty	Model
		water cooling 2			M48.00/50
1	948 106 021 54	cooling water tube supply		1	M48.50
(1)	948 106 021 05	cooling water tube supply		1	M48.00
2	999 707 537 40	o-ring 21,2 X 3,55		1	
3	999 507 603 40	o-ring holder 7,5		1	
4	999 073 189 09	torx screw M 6 X 12		4	
5	948 106 357 03	water hose supply		1	
6	999 512 658 09	hose clamp 27 X 12		1	
7	999 512 656 09	hose clamp 25 X 12		2	
8	948 106 355 05	water hose supply		1	
9	999 512 652 09	hose clamp 19 X 12		1	
10	999 512 686 09	clip 17 X 12		1	
11	948 106 362 01	connection piece supply		1	
		M	>> 816 09866		
		M	>> 826 04063		
(11)	948 106 462 00	connection piece supply		1	
		M	816 09867 >>		
		M	826 04064 >>		
12	999 707 514 40	o-ring 12,37 X 2,62		2	
		M	>> 816 09866		
		M	>> 826 04063		
(12)	999 707 514 40	o-ring 12,37 X 2,62		3	
		M	816 09867 >>		
		M	826 04064 >>		

Model	Year	MG	SG	Illustration	Restrictions	Update	18:27	16.08.2006	PORSCHE	PET	PORSCHE
9pa	06	1	05	105-10		203					

Pos	Part Number	Name	Remarks	Qty	Model	Pos	Part Number	Name	Remarks	Qty	Model
13	999 073 103 09	oval-head screw M 6 X 16 M >> 816 09866 M >> 826 04063		2							
(13)	999 073 103 09	oval-head screw M 6 x 16 M 816 09867 >> M 826 04064 >>		3							
14	U 948 106 358 03	water hose return		1							
14	948 106 050 01	water hose complete return		1							
15	999 512 660 09	hose clamp 29 X 12		2							
16	999 512 683 09	clip 23 X 12		1							
17	948 106 321 03	cooling water tube return		1							
18	...	o-ring see illustrations 1/05/00		1							
19	948 106 561 00	connection piece return generator M 816 09867 >> M 826 04064 >>		1							
20	000 043 204 68	grease SYNTHESO GLEP 1 1 50-g tube		1							
		- - - E N D - - -									

Model	Year	MG	SG	Illustration	Restrictions	Update	18:27	16.08.2006	PORSCHE	PET	PORSCHE
9pa	06	1	05	105-16		203					

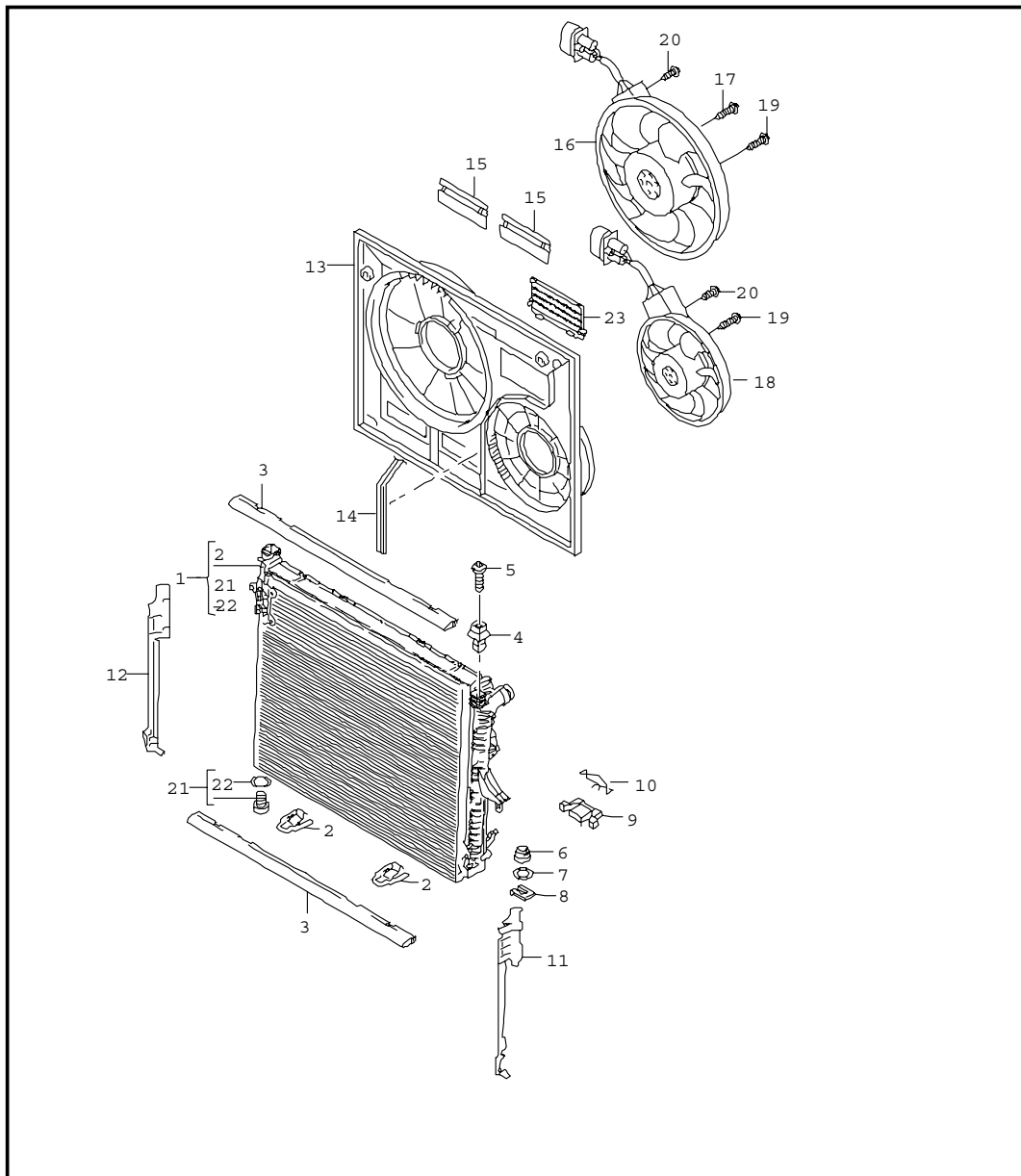


Pos	Part Number	Name	Remarks	Qty	Model
		water cooling 2	04-		M02.2Y
1	955 106 050 00	water tube		1	
2	955 106 022 00	screw plug with o-ring		1	
3	955 106 158 00	water hose		1	
4	U 955 106 196 00	water hose crankcase		1	
(4)	955 106 196 01	water hose crankcase		1	
5	N 906 869 01	hose clamp B 23 X 12		3	
6	N 909 264 01	hose clamp B 19 X 12	-05	5	
6	N 909 264 01	hose clamp B 19 X 12	06-	3	
(6)	N 907 702 01	hose clamp B 17 X 12 mount adapter	06-	2	I8GH
7	955 106 058 10	water hose return	-05	1	I8GH
(7)	955 106 356 06	water hose return	06-	1	I8GH
8	955 106 059 00	water hose supply crankcase	-05	1	I8GH
(8)	955 106 355 05	water hose supply crankcase	06-	1	I8GH
9	955 106 324 00	cap		1	I8GR
10	955 106 099 00	plug crankcase		1	I8GR
11	955 106 133 00	adapter double	-05	1	I8GH
(11)	955 106 362 02	adapter simple	06-	2	I8GH
(11)	955 106 361 00	retaining bracket for adapter	06-	1	I8GH

Model	Year	MG	SG	Illustration	Restrictions	Update	18:27	16.08.2006	PORSCHE	PET	PORSCHE
9pa	06	1	05	105-16		203					

Pos	Part Number	Name	Remarks	Qty	Model	Pos	Part Number	Name	Remarks	Qty	Model
12	955 106 666 00	round seal 10 X 4	-05	2	I8GH						
(12)	N 907 834 02	o-ring 13,1 X 1,6	06-	2	I8GH						
13	N 014 761 2	pan-head screw M 6 X 12	-05	1	I8GH						
(13)	N 101 174 01	pan-head screw M 6 X 30	06-	1	I8GH						
14	N 101 392 01	o-ring 34,5 X 3,55		2							
15	955 106 523 10	cable holder		2							
		- - - E N D - - -									

Model	Year	MG	SG	Illustration	Restrictions	Update	18:27	16.08.2006	PORSCHE	PET	PORSCHE
9pa	06	1	05	105-20		203					



Pos	Part Number	Name	Remarks	Qty	Model
1	955 106 142 00	water cooling 3 radiator	04- -05	1	IT90/IT91 IT31
(1)	955 106 142 01	radiator	06-	1	
2	955 106 079 00	support		2	
3	955 106 379 00	pipng		2	
4	955 106 191 00	buffer		2	
5	N 910 252 01	screw 6.0 X 30		2	
6	955 106 175 00	rubber mounting		2	
7	N 904 485 01	washer 16.2 X 34.2 X 3.0		2	
8	955 106 174 00	clamp		2	
9	955 106 176 00	support rubber mounting		2	
10	955 106 173 00	clamp support		2	
11	955 106 346 00	seal	/L -05	1	
(11)	955 106 346 01	seal	/L 06-	1	
12	955 106 347 00	seal	/R -05	1	
(12)	955 106 347 01	seal	/R 06-	1	
13	955 106 258 00	cooling air duct		1	IT90
(13)	955 106 258 00	cooling air duct F >>9P6LA 44107		1	IT91
(13)	955 106 258 00	cooling air duct F 9P6LA 44108>>		1	IT91/IOY2
(13)	955 106 258 10	cooling air duct F 9P6LA 44108>>		1	IT91/OY1/OY3
13	955 106 258 00	cooling air duct F >>9P5LA 02919		1	IT31
(13)	955 106 258 10	cooling air duct F 9P5LA 02920>>		1	IT31

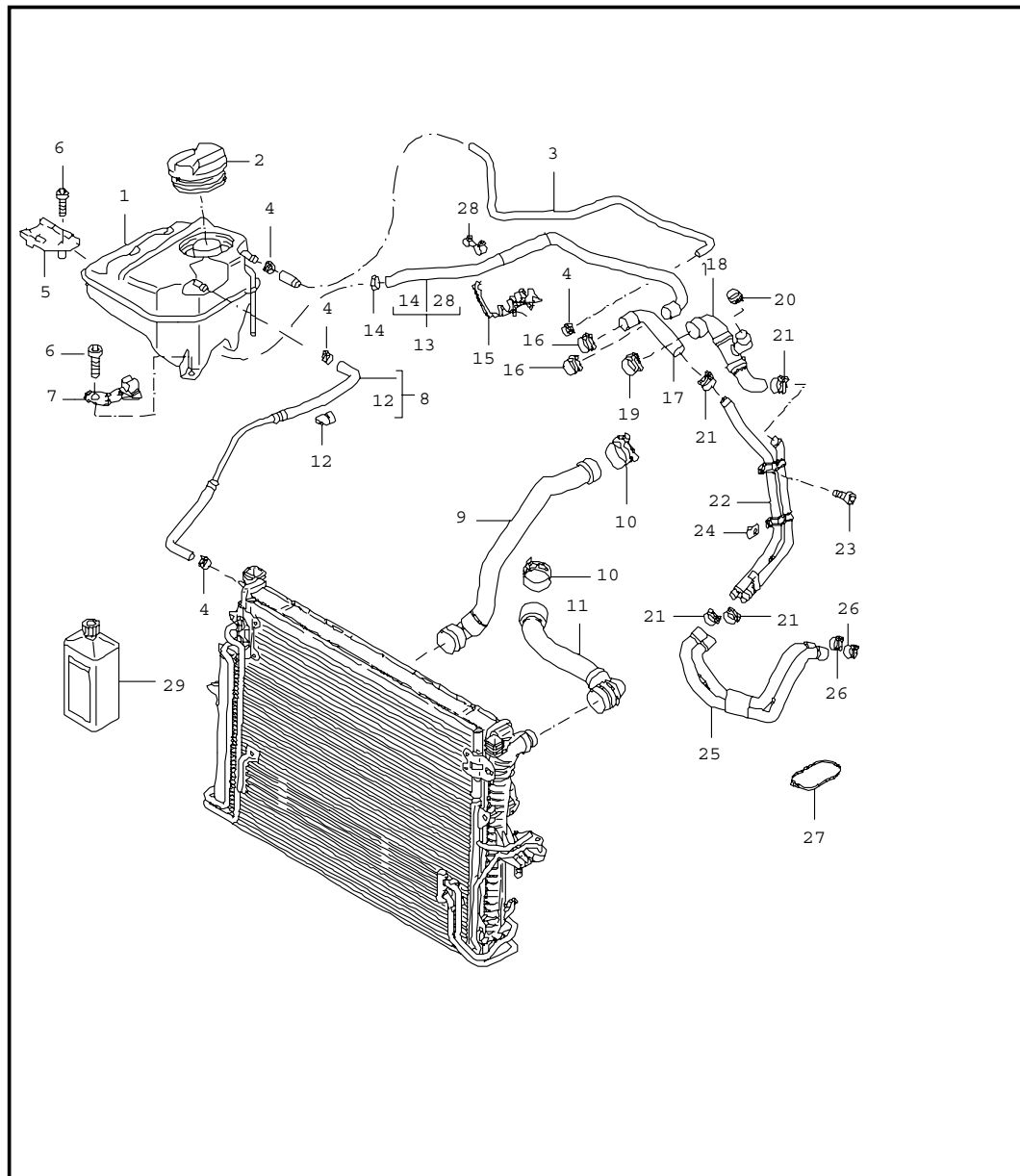
Model	Year	MG	SG	Illustration	Restrictions	Update	18:27	16.08.2006	PORSCHE	PET	PORSCHE
9pa	06	1	05	105-20		203					

Pos	Part Number	Name	Remarks	Qty	Model	Pos	Part Number	Name	Remarks	Qty	Model
14	955 106 271 00	pipng cooling air duct		1		(19)	955 106 953 10	screw M 5 X 16 F >>9P6LA 44107		3	IT91
15	955 106 259 00	flap lower		2		(19)	955 106 953 10	screw M 5 X 16 F 9P6LA 44108>>		3	IT91/I0Y2
16	955 624 135 00	fan - EC -		1	IT90	(19)	955 106 953 10	screw M 5 X 16 F 9P6LA 44108>>		6	IT91/OY1/OY3
(16)	955 624 135 00	fan - EC - F >>9P6LA 44107		1	IT91	19	955 106 953 10	screw M 5 X 16 F >>9P5LA 02919		3	IT31
(16)	955 624 135 00	fan - EC - F 9P6LA 44108>>		1	IT91/I0Y2	(19)	955 106 953 10	screw M 5 X 16 F 9P5LA 02920>>		6	IT31
(16)	955 624 136 00	fan - DC - F 9P6LA 44108>>		1	IT91/OY1/OY3	20	955 106 953 20	screw 4 X 25		4	IT90
(16) U	955 624 145 00	fan - DC -		1	IT31	(20)	955 106 953 20	screw 4 X 25 F >>9P6LA 44107		4	IT91
(16)	955 624 135 00	fan - EC - F >>9P5LA 02919		1	IT31	(20)	955 106 953 20	screw 4 X 25 F 9P6LA 44108>>		4	IT91/I0Y2
(16)	955 624 136 00	fan - DC - F 9P5LA 02920>>		1	IT31	(20)	955 106 953 20	screw 4 X 25 F 9P6LA 44108>>		8	IT91/OY1/OY3
17	955 106 953 00	screw M 5 X 12		3	IT90	20	955 106 953 20	screw 4 X 25 F >>9P5LA 02919		4	IT31
(17)	955 106 953 00	screw M 5 X 12 F >>9P6LA 44107		3	IT91	(20)	955 106 953 20	screw 4 X 25 F 9P5LA 02920>>		8	IT31
(17)	955 106 953 00	screw M 5 X 12 F 9P6LA 44108>>		3	IT91/I0Y2	21	928 106 444 01	drain plug for radiator	-05	1	
(17)	955 106 953 00	screw M 5 X 12 F >>9P5LA 02919		3	IT31	22	999 701 651 40	o-ring 7,65 X 1,78	-05	1	
18	955 624 146 00	blower - DC-	03	1		23	955 106 259 10	flap upper		1	
(18)	955 624 134 00	fan - DC -	04-	1		24	955 504 750 00	cover connector electric fan		1	IT90
19	955 106 953 10	screw M 5 X 16		3	IT90						

Model	Year	MG	SG	Illustration	Restrictions	Update	18:27	16.08.2006	PORSCHE	PET	PORSCHE
9pa	06	1	05	105-20		203					

Pos	Part Number	Name	Remarks	Qty	Model	Pos	Part Number	Name	Remarks	Qty	Model
(24)	955 504 750 00	cover connector electric fan F >>9P6LA 44107		1	IT91						
(24)	955 504 750 00	cover connector electric fan F 9P6LA 44108>>		1	IT91/I0Y2						
(24)	955 504 750 00	cover connector electric fan F 9P6LA 44108>>		2	IT91/0Y1/0Y3						
(24)	955 504 750 00	cover connector electric fan - - - E N D - - -		2	IT31						

Model	Year	MG	SG	Illustration	Restrictions	Update	18:28	16.08.2006	PORSCHE	PET	PORSCHE
9pa	06	1	05	105-25		203					

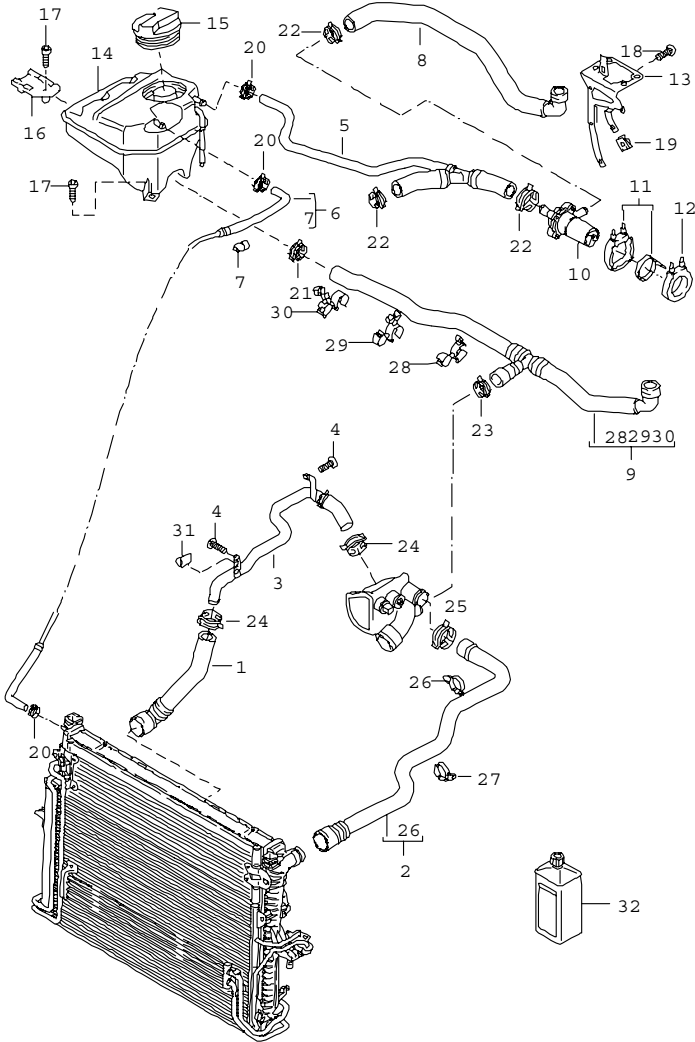


Pos	Part Number	Name	Remarks	Qty	Model
		water cooling 4 water reservoir			IT90/IT91
1	U 955 106 147 21	water reservoir		1	
(1)	955 106 147 22	water reservoir		1	
2	955 106 447 20	cover		1	
3	955 106 477 00	water hose		1	
4	N 906 867 01	hose clamp B 14 X 12		4	
5	955 106 405 01	support		1	
6	N 101 244 06	screw M 6 X 20		2	
7	955 355 625 00	support vacuum line		1	IT90
-	N 909 435 01	hose holder 12 MM		1	IT90
8	955 106 277 00	water hose		1	
9	955 106 239 10	water hose supply		1	IT90
(9)	955 106 239 10	water hose supply F	>>9P6LA 44107	1	IT91
(9)	955 106 239 10	water hose supply F 9P6LA 44108>>		1	IT91/IOY2
(9)	955 106 239 50	water hose supply F 9P6LA 44108>>		1	IT91/OY1/OY3
10	955 512 404 00	clip B 51 X 12		2	
11	955 106 238 00	water hose return		1	
12	955 106 525 00	hose holder		1	
13	955 106 049 00	water hose		1	
14	U N 900 719 03	hose clamp		1	
(14)	955 106 410 00	hose clamp		1	
15	955 106 179 00	support water hose		1	

Model	Year	MG	SG	Illustration	Restrictions	Update	18:28	16.08.2006	PORSCHE	PET	PORSCHE
9pa	06	1	05	105-25		203					

Pos	Part Number	Name	Remarks	Qty	Model	Pos	Part Number	Name	Remarks	Qty	Model
16	955 512 405 00	clip		2							
17	955 106 322 00	water hose		1							
18	955 106 323 50	water hose		1	IT90						
(18)	955 106 323 00	water hose		1	IT91						
19	955 512 406 00	clip		1							
20	955 512 407 00	clip		1							
21	N 906 870 01	hose clamp B 27 x 12		4							
22	A 955 106 065 00	cooling water tube		1							
(22)	955 106 065 10	cooling water tube		1							
23	U N 014 761 02	pan-head screw M 6 X 12		2							
(23)	N 014 761 2	pan-head screw M 6 X 12		2							
24	955 971 847 00	cable clamp		1							
25	955 106 073 00	water hose		1							
26	N 906 870 01	hose clamp B 27 X 12		2							
27	955 106 409 00	tie-wrap		1							
28	N 102 464 01	hose holder A 03-14 X C 05-22		1							
29	000 043 203 78	antifreeze protection 1 LITER container	-05	X							
(29)	A 000 043 203 79	antifreeze protection 25 LITER container		X							
(29)	000 043 300 31	antifreeze protection 20 LITER container	-05	X							
(29)	000 043 301 03	antifreeze protection 1 LITER container	06-	X							
(29)	000 043 301 04	antifreeze protection 20 LITER container	06-	X							
- - - E N D - - -											

Model	Year	MG	SG	Illustration	Restrictions	Update	18:28	16.08.2006	PORSCHE	PET	PORSCHE
9pa	06	1	05	105-26		203					

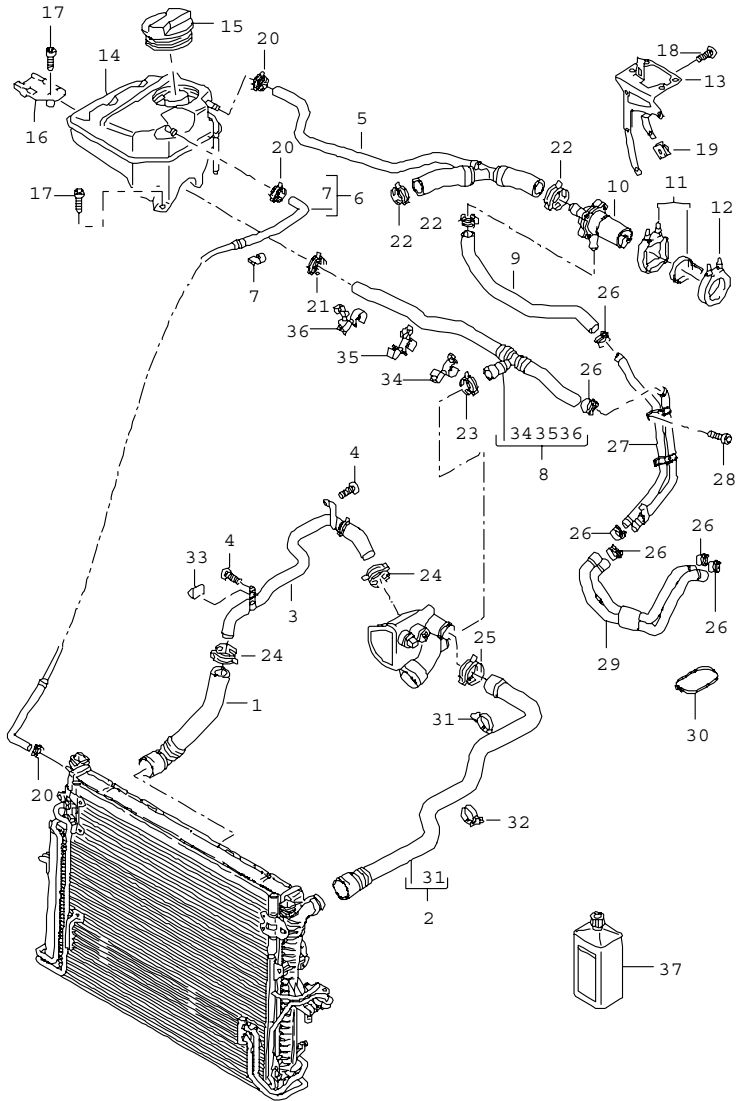


Pos	Part Number	Name	Remarks	Qty	Model
		water cooling 4 water reservoir without additional heating	04-		ID9J
1	955 106 051 00	water hose		1	
2	955 106 239 00	water hose		1	
3	955 106 070 01	cooling water tube with water hose		1	
4	N 103 470 01	torx screw M 6 X 16		2	
5	U 955 106 058 00	water hose		1	
(5)	955 106 058 01	water hose	-05	1	
(5)	955 106 058 02	water hose	06-	1	
6	955 106 277 00	water hose		1	
7	955 106 525 00	hose holder		1	
8	U 955 106 096 00	water hose		1	
(8)	955 106 096 01	water hose	-05	1	
(8)	955 106 096 02	water hose	06-	1	
9	955 106 109 00	water hose		1	
10	A 955 106 561 00	water pump appendix		1	
10	955 106 561 01	water pump appendix		1	
11	955 106 209 00	rubber mounting with locking lug		1	
12	955 106 209 10	rubber mounting		1	
13	955 106 179 00	support appendix water pump		1	
14	U 955 106 147 21	water reservoir		1	
(14)	955 106 147 22	water reservoir		1	
15	955 106 447 20	cover		1	
16	955 106 405 01	support		1	

Model	Year	MG	SG	Illustration	Restrictions	Update	18:28	16.08.2006	PORSCHE	PET	PORSCHE
9pa	06	1	05	105-26		203					

Pos	Part Number	Name	Remarks	Qty	Model	Pos	Part Number	Name	Remarks	Qty	Model
17	N 101 244 06	screw M 6 X 20		2		(32)	000 043 301 04	antifreeze protection 20 LITER container	06-	X	
18	U N 014 761 4	pan-head screw M 6 X 12		3				- - - E N D - - -			
(18)	N 103 470 01	torx screw M 6 X 16		2							
19	N 901 686 02	speed nut M 6 X 16 X 24		2							
20	N 906 867 01	hose clamp B 14 X 12		3							
21	N 906 869 01	hose clamp B 23 X 12		1							
22	N 906 870 01	hose clamp B 27 X 12		3							
23	N 906 871 01	hose clamp B 32 X 12		1							
24	N 906 872 01	hose clamp B 40 X 12		2							
25	N 909 265 01	hose clamp B 47 X 12		1							
26	N 105 390 01	hose holder A 06-6,5 X C 19-38		1							
27	955 106 520 00	hose holder		1							
28	955 106 522 30	hose holder		1							
29	955 106 522 00	hose holder		1							
30	955 106 522 20	hose holder		1							
31	955 606 525 00	cable terminal 4,0 - 7,0		1							
32	000 043 203 78	antifreeze protection 1 LITER container	-05	X							
(32)	000 043 300 31	antifreeze protection 20 LITER container	-05	X							
(32)	000 043 301 03	antifreeze protection 1 LITER container	06-	X							

Model	Year	MG	SG	Illustration	Restrictions	Update	18:28	16.08.2006	PORSCHE	PET	PORSCHE
9pa	06	1	05	105-27		203					

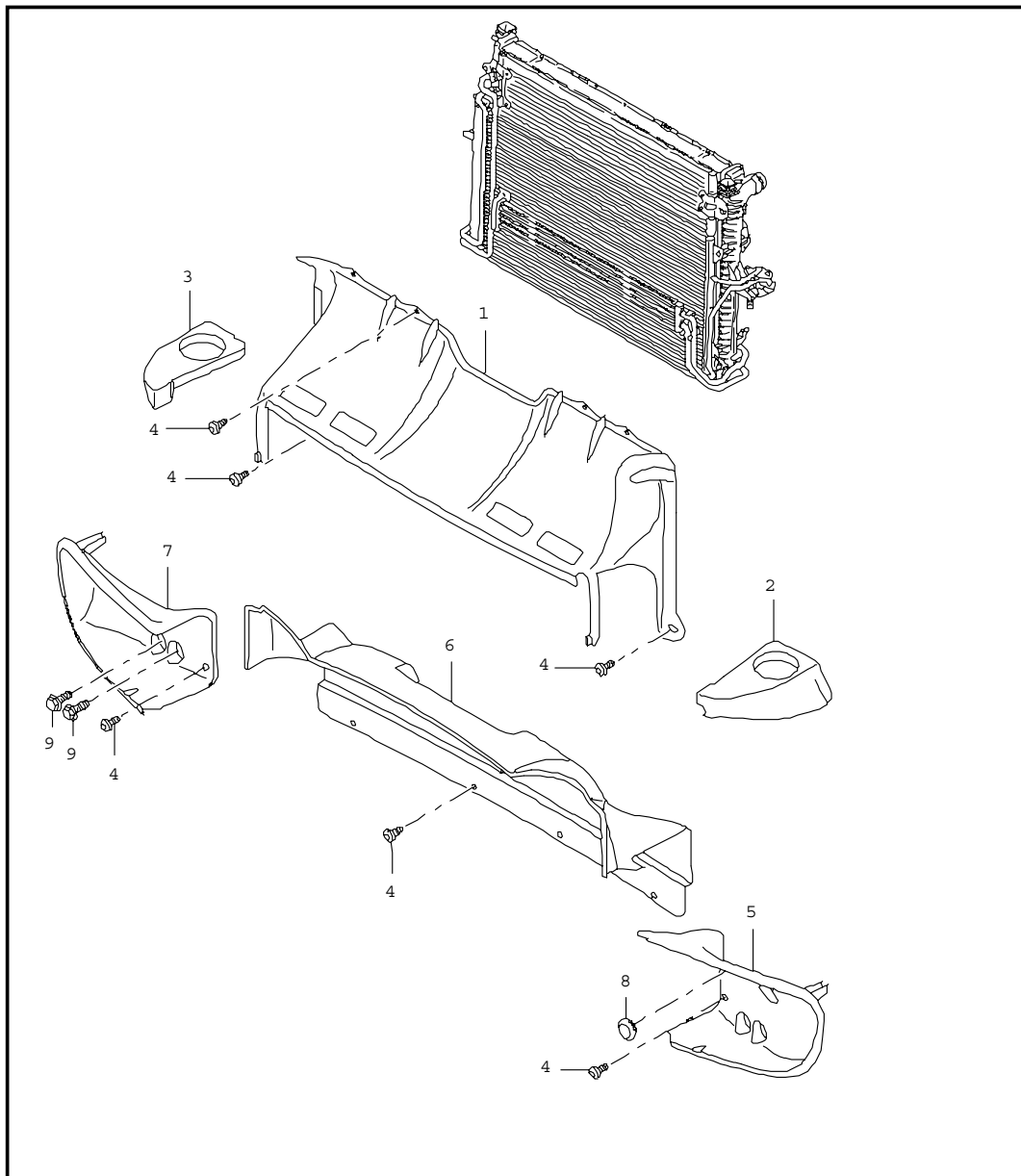


Pos	Part Number	Name	Remarks	Qty	Model
		water cooling 4 water reservoir with additional heating	04-		ID9J
					I7VE/I7VL
1	955 106 051 00	water hose		1	
2	955 106 239 00	water hose		1	
3	955 106 070 01	cooling water tube with water hose		1	
4	N 103 470 01	torx screw M 6 X 16		2	
5	U 955 106 058 00	water hose		1	
(5)	955 106 058 01	water hose	-05	1	
(5)	955 106 058 02	water hose	06-	1	
6	955 106 277 00	water hose		1	
7	955 106 525 00	hose holder		1	
8	U 955 106 073 10	water hose		1	
(8)	955 106 073 11	water hose		1	
9	955 106 073 20	water hose	-05	1	
(9)	955 106 073 21	water hose	06-	1	
10	U 955 106 561 00	water pump appendix		1	
10	955 106 561 01	water pump appendix		1	
11	955 106 209 00	rubber mounting with locking lug		1	
12	955 106 209 10	rubber mounting		1	
13	955 106 179 00	support appendix water pump		1	
14	U 955 106 147 21	water reservoir		1	
(14)	955 106 147 22	water reservoir		1	
15	955 106 447 20	cover		1	
16	955 106 405 01	support		1	

Model	Year	MG	SG	Illustration	Restrictions	Update	18:28	16.08.2006	PORSCHE	PET	PORSCHE
9pa	06	1	05	105-27		203					

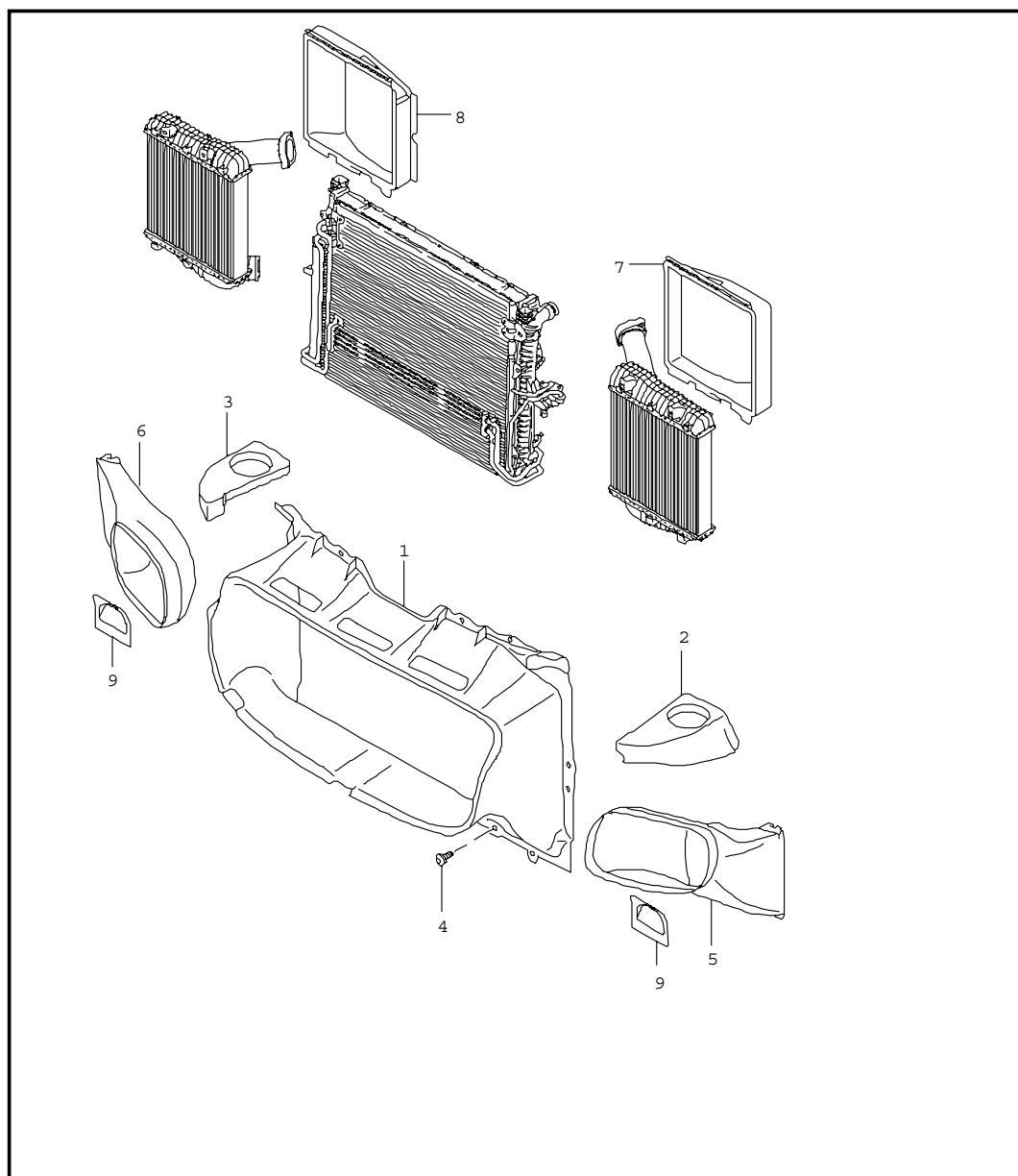
Pos	Part Number	Name	Remarks	Qty	Model	Pos	Part Number	Name	Remarks	Qty	Model
17	N 101 244 06	screw M 6 X 20		2		37	...	antifreeze protection see illustrations 1/05/26		X	
18	U N 014 761 4	pan-head screw M 6 X 12		3				- - - E N D - - -			
(18)	N 103 470 01	torx screw M 6 X 16		2							
19	N 901 686 02	speed nut M 6 X 16 X 24		2							
20	N 906 867 01	hose clamp B 14 X 12		3							
21	N 906 869 01	hose clamp B 23 X 12		1							
22	N 906 870 01	hose clamp B 27 X 12		3							
23	N 906 871 01	hose clamp B 32 X 12		1							
24	N 906 872 01	hose clamp B 40 X 12		2							
25	N 909 265 01	hose clamp B 47 X 12		1							
26	N 906 870 01	hose clamp B 27 X 12		6							
27	955 106 066 00	cooling water tube		1							
28	N 014 761 2	pan-head screw M 6 X 12		2							
29	955 106 073 00	water hose		1							
30	955 106 409 00	tie-wrap		1							
31	N 105 390 01	hose holder A 06-6,5 X C 19-38		1							
32	955 106 520 00	hose holder		1							
33	955 606 525 00	cable terminal 4,0 - 7,0		1							
34	955 106 522 30	hose holder		1							
35	955 106 522 00	hose holder		1							
36	955 106 522 20	hose holder		1							

Model	Year	MG	SG	Illustration	Restrictions	Update	18:28	16.08.2006	PORSCHE	PET	PORSCHE
9pa	06	1	05	105-30		203					



Pos	Part Number	Name	Remarks	Qty	Model
		cooling air duct	04-		ID9K ID9J
1	955 575 285 00	air duct upper		1	
2	955 575 146 00	gasket left		1	
3	955 575 147 00	gasket right		1	ID9K
(3)	955 575 147 20	gasket right		1	ID9J
4	N 910 343 01	screw M 6 X 20		18	
5	955 575 333 00	air duct left	03	1	
(5)	955 575 333 02	air duct left	04-	1	
6	955 575 293 00	air duct lower		1	
7	955 575 334 00	air duct right	03	1	
(7)	955 575 334 02	air duct right	04-	1	
8	955 575 418 00	cap		2	
9	N 105 956 01	screw M 10 X 35		4	
- - - E N D - - -					

Model	Year	MG	SG	Illustration	Restrictions	Update	18:29	16.08.2006	PORSCHE	PET	PORSCHE
9pa	06	1	05	105-35		203					

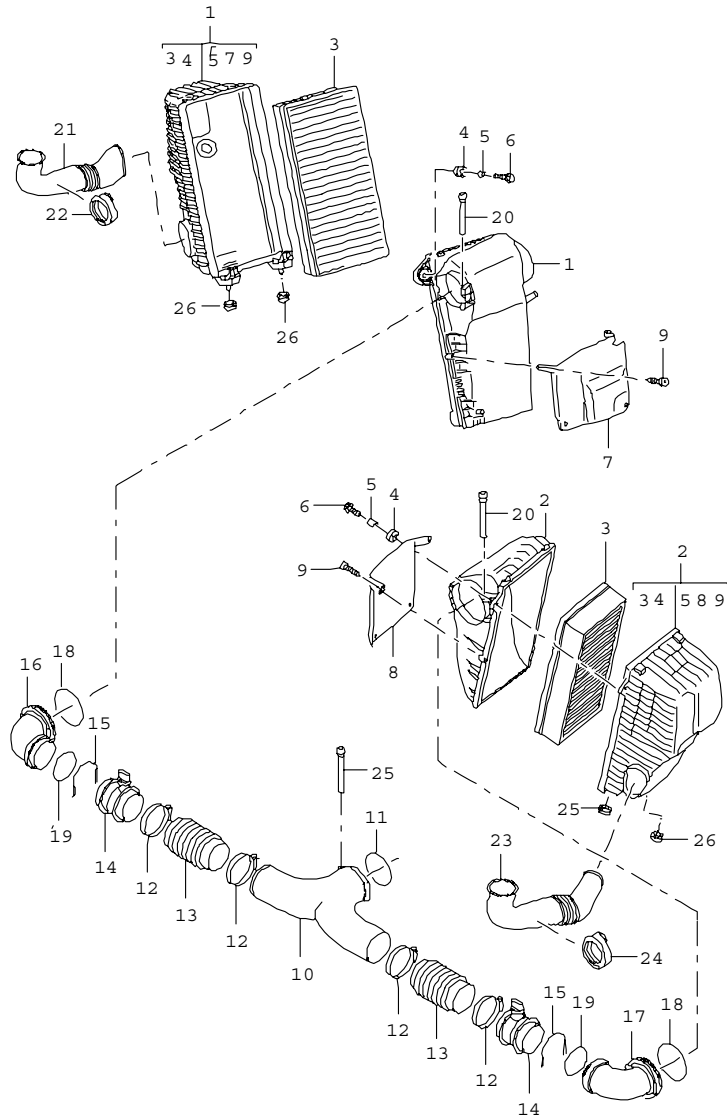


Pos	Part Number	Name	Remarks	Qty	Model
		cooling air duct			ID9L
1	955 575 283 50	air duct front		1	
2	955 128 146 00	gasket left		1	
3	955 129 146 00	gasket right		1	
4	N 910 343 01	screw M 6 X 20		10	
5	A 955 575 335 50	air duct left		1	
(5)	955 575 335 51	air duct left		1	
(5)	955 575 331 40	air duct left	05-	1	IE81
(5)	955 575 331 40	air duct left	06-	1	IE8A
6	A 955 575 336 50	air duct right		1	
(6)	955 575 336 51	air duct right		1	
(6)	955 575 332 40	air duct right	05-	1	IE81
(6)	955 575 332 40	air duct right	06-	1	IE8A
7	955 575 339 00	air duct left		1	
(7)	955 575 339 40	air duct left	05-	1	IE81
(7)	955 575 339 40	air duct left	06-	1	IE8A
8	955 575 340 00	air duct right		1	
(8)	955 575 340 40	air duct right	05-	1	IE81
(8)	955 575 340 40	air duct right	06-	1	IE8A
9	955 575 395 00	air duct		2	

Model	Year	MG	SG	Illustration	Restrictions	Update					
9pa	06	1	05	105-35		203	18:29	16.08.2006	PORSCHE	PET	PORSCHE

Pos	Part Number	Name	Remarks	Qty	Model	Pos	Part Number	Name	Remarks	Qty	Model
		- - - E N D - - -									

Model	Year	MG	SG	Illustration	Restrictions	Update	18:29	16.08.2006	PORSCHE	PET	PORSCHE
9pa	06	1	06	106-00		203					

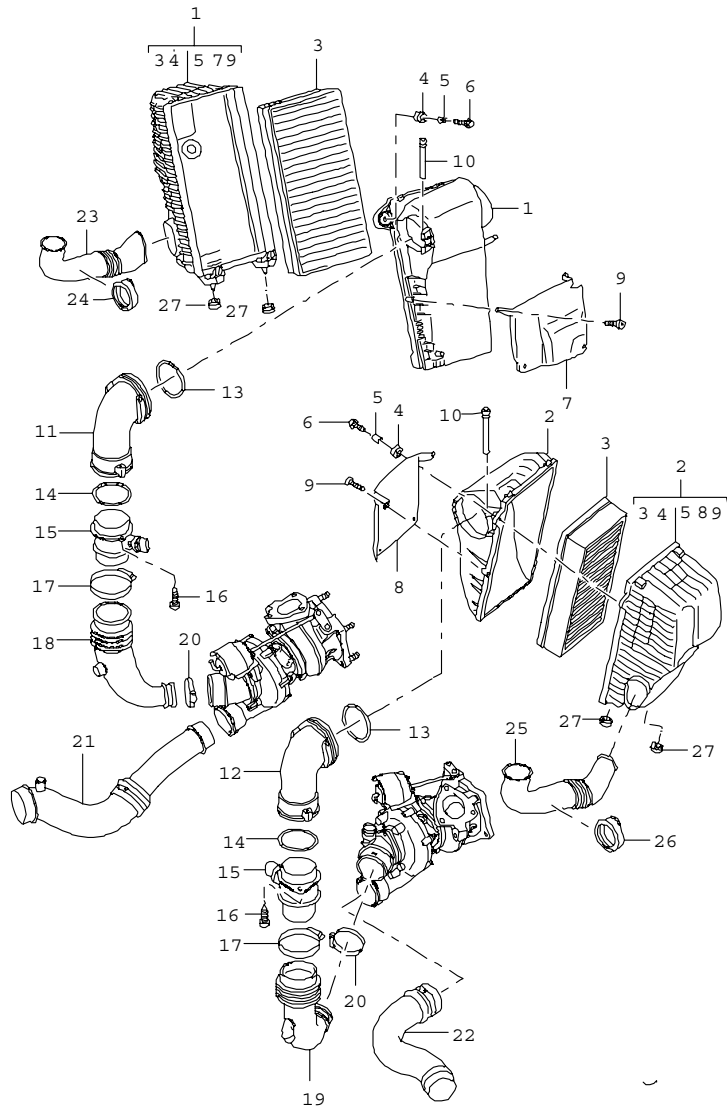


Pos	Part Number	Name	Remarks	Qty	Model
		air filter system			IT91
1	955 110 022 10	air cleaner	/R	1	I1L0
(1)	955 110 022 00	air cleaner	/R	1	I1L2
2	955 110 021 10	air cleaner	/L	1	I1L0
(2)	955 110 021 00	air cleaner	/L	1	I1L2
3	955 110 131 00	air cleaner cartridge		2	I1L0
(3)	955 110 131 10	air cleaner cartridge		2	I1L2
4	955 110 669 00	grommet		2	
5	955 110 734 00	spacer sleeve		2	
6	N 101 579 02	hexagon-head bolt M 6 X 25		2	
7	955 110 208 00	cover plate	/R	1	
8	955 110 207 00	cover plate	/L	1	
9	N 909 855 01	oval-head screw KA 50 X 12		8	
10	955 110 046 00	intake distributor		1	
11	N 910 171 01	round seal 87 X 4		1	
12	N 024 523 2	hose clamp A-50-70 X 13 X 0,5		4	
13	955 110 191 00	bellows		2	
14	955 606 123 31	mass air flow		2	
15	955 110 691 00	spring clamp		2	
16	955 110 534 00	intake manifold	/R	1	
17	955 110 533 00	intake manifold	/L	1	
18	N 909 643 01	round seal 91 X 6		2	
19	955 110 646 00	round seal 69 X 6		2	
20	955 110 269 00	bolt locking device		4	
21	955 110 104 00	intake manifold	/R	1	
22	955 110 348 00	support ring	/R	1	

Model	Year	MG	SG	Illustration	Restrictions	Update	18:29	16.08.2006	PORSCHE	PET	PORSCHE
9pa	06	1	06	106-00		203					

Pos	Part Number	Name	Remarks	Qty	Model	Pos	Part Number	Name	Remarks	Qty	Model
23	955 110 103 10	intake manifold	/L	1							
24	955 110 347 10	support ring	/L	1							
25	955 110 670 00	bolt locking device		2							
26	955 110 669 00	grommet		4							
		- - - E N D - - -									

Model	Year	MG	SG	Illustration	Restrictions	Update	18:29	16.08.2006	PORSCHE	PET	PORSCHE
9pa	06	1	06	106-05		203					

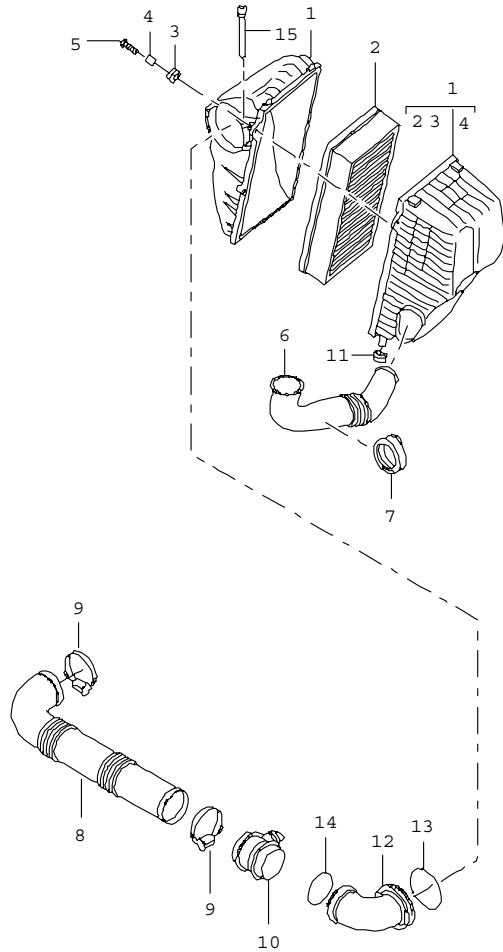


Pos	Part Number	Name	Remarks	Qty	Model
		air filter system			IT90
1	955 110 022 55	air cleaner	/R	1	I1L0
(1)	955 110 022 50	air cleaner	/R	1	I1L2
2	955 110 021 55	air cleaner	/L	1	I1L0
(2)	955 110 021 50	air cleaner	/L	1	I1L2
3	955 110 131 00	air cleaner cartridge		2	I1L0
(3)	955 110 131 10	air cleaner cartridge		2	I1L2
4	955 110 669 00	grommet		2	
5	955 110 734 00	spacer sleeve		2	
6	N 101 579 02	hexagon-head bolt M 6 X 25		2	
7	955 110 208 00	cover plate	/R	1	
8	955 110 207 00	cover plate	/L	1	
9	N 909 855 01	oval-head screw KA 50 X 12		8	
10	955 110 269 00	bolt locking device		4	
11	955 110 102 00	intake manifold	/R	1	
12	955 110 101 00	intake manifold	/L	1	
13	N 909 643 01	round seal 91 X 6		2	
14	955 110 646 10	round seal 79 X 6		2	
15	955 606 123 00	mass air flow		2	
16	N 104 197 01	oval-head screw 6 X 22		4	
17	N 024 526 4	hose clamp A-70-90 X 13 X 0.5		2	
18	955 110 222 00	suction hose	/R	1	
19	955 110 221 00	suction hose	/L	1	
20	N 024 523 2	hose clamp A-50-70 X 13 X 0.5		2	
21	...	see illustrations 1/07/20		1	

Model	Year	MG	SG	Illustration	Restrictions	Update	18:29	16.08.2006	PORSCHE	PET	PORSCHE
9pa	06	1	06	106-05		203					

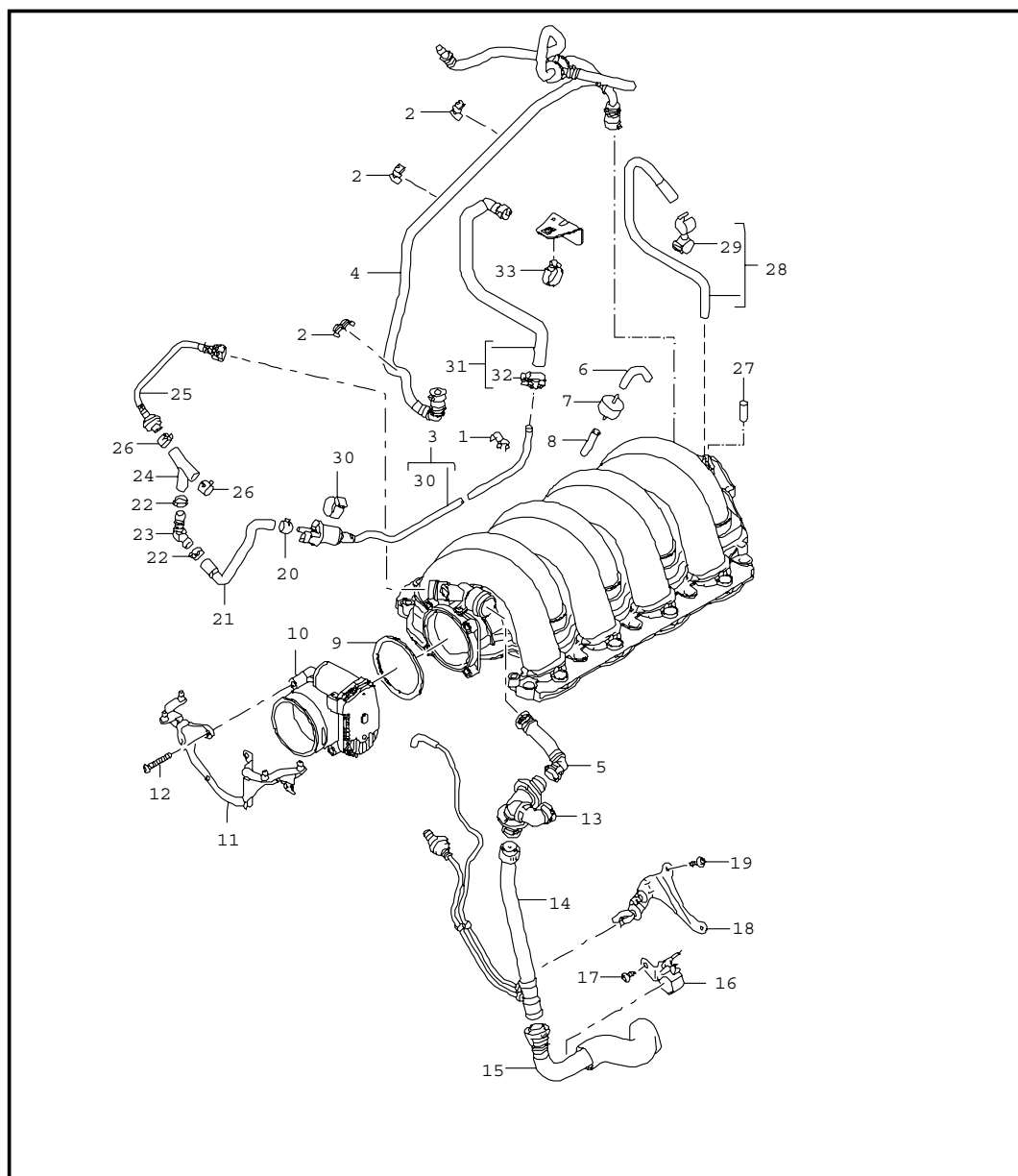
Pos	Part Number	Name	Remarks	Qty	Model	Pos	Part Number	Name	Remarks	Qty	Model
22	...	see illustrations 1/07/20		1							
23	955 110 104 00	intake manifold	/R	1							
24	955 110 348 00	support ring	/R	1							
25	955 110 103 10	intake manifold	/L	1							
26	955 110 347 10	support ring	/L	1							
27	955 110 669 00	grommet		4							
		- - - E N D - - -									

Model	Year	MG	SG	Illustration	Restrictions	Update	18:29	16.08.2006	PORSCHE	PET	PORSCHE
9pa	06	1	06	106-10		203					



Pos	Part Number	Name	Remarks	Qty	Model
		air filter system simple	04-		ID9J
1	955 110 021 30	air cleaner		1	I1L0
(1)	955 110 021 20	air cleaner		1	I1L2
2	955 110 131 00	air cleaner cartridge		1	I1L0
(2)	955 110 131 10	air cleaner cartridge		1	I1L2
3	955 110 669 00	grommet		1	
4	955 110 734 00	spacer sleeve		1	
5	N 101 579 02	hexagon-head bolt M 6 X 25		1	
6	955 110 103 10	intake manifold		1	
7	955 110 347 10	support ring		1	
8	955 110 684 00	connecting piece		1	
9	N 024 518 4	hose clamp A-70-90 X 9 X 0,5		2	
10	955 606 123 35	mass air flow		1	
11	955 110 669 00	grommet		2	
12	955 110 533 10	intake manifold		1	
13	N 909 643 01	round seal 91 X 6		1	
14	N 909 219 01	round seal 85 X 6		1	
15	955 110 269 00	bolt locking device		2	
		- - - E N D - - -			

Model	Year	MG	SG	Illustration	Restrictions	Update	18:29	16.08.2006	PORSCHE	PET	PORSCHE
9pa	06	1	07	107-00		203					

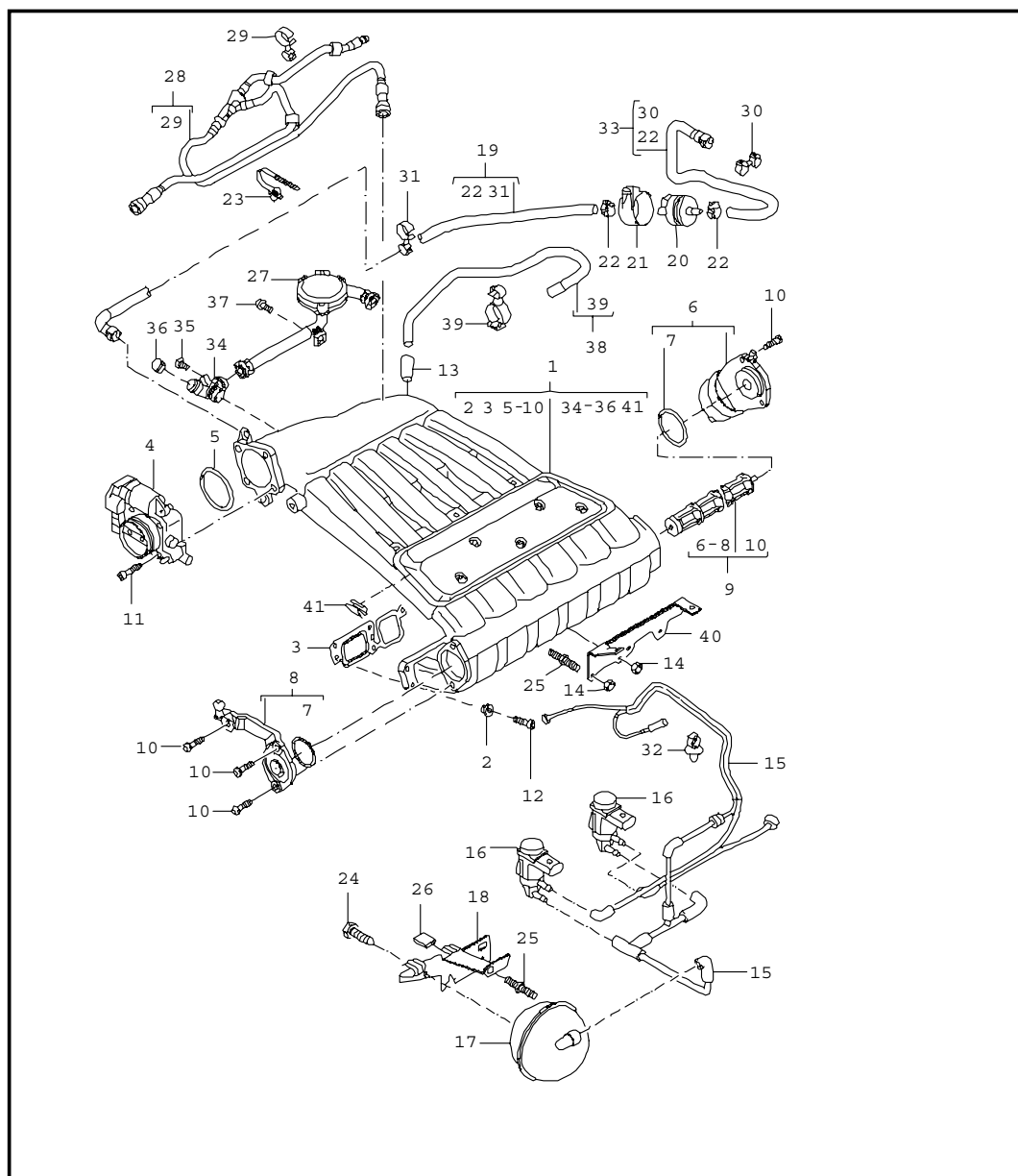


Pos	Part Number	Name	Remarks	Qty	Model
		throttle body venturi tube tank ventilation vent line crankcase			M48.00/50
1	999 507 807 40	hose holder 10,5/20,0 line tank ventilation fuel collection pipe		1	
(1)	999 507 498 40	hose holder 13,0/18,0 line venturi tube fuel collection pipe		1	
(1)	999 507 936 40	hose holder 10,5/13,0 line venturi tube line tank ventilation		1	M48.00
2	999 507 805 09	cable holder 10,0/13,0		1	M48.00
(2)	999 507 805 09	cable holder 10,0/13,0		2	M48.50
3	948 110 202 01	vent line tank ventilation		1	
4	U 948 110 070 01	venturi tube		1	
4	948 110 070 03	venturi tube		1	
5	948 107 214 51	vent line crankcase		1	M48.50
(5)	948 107 217 02	vent line crankcase		1	M48.00
6	948 110 717 00	connecting hose		1	
7	964 110 950 01	check valve		1	
8	948 110 747 00	connecting hose		1	
9	948 110 143 01	gasket		1	
10	948 605 115 03	throttle body		1	
11	948 110 211 01	support		1	
12	999 073 099 09	oval-head screw M 6 X 45		4	

Model	Year	MG	SG	Illustration	Restrictions	Update	18:29	16.08.2006	PORSCHE	PET	PORSCHE
9pa	06	1	07	107-00		203					

Pos	Part Number	Name	Remarks	Qty	Model	Pos	Part Number	Name	Remarks	Qty	Model
13	948 107 219 50	check valve		1	M48.50	30	948 110 201 01	support ring		1	
14	948 107 217 53	vent line		1	M48.50	31	955 201 366 00	line carbon canister		1	
15	948 107 216 51	vent line turbocharger cyl. 5 - 8		1	M48.50			F >>9P3LA 40502 F >>9P3LA 80162			
16	948 107 018 50	support		1	M48.50	(31) A	955 201 366 01	line carbon canister	-04	1	
17	999 073 246 09	torx screw M 8 X 33		1	M48.50			F 9P3LA 40503>> F 9P3LA 80163>>			
18	948 107 017 52	support	03	1	M48.50	(31)	955 201 366 02	line carbon canister	05	1	
(18)	948 107 017 53	support	04-	1	M48.50	(31)	955 201 366 03	line carbon canister	06-	1	
--	999 507 455 40	hose holder 24	03	1	M48.50						
--	999 507 370 40	hose holder 23,0 - A	04-	1	M48.50						
--	999 507 611 40	hose holder 6,0 - 6,5		1	M48.50						
19	999 073 341 0A	round head screw M 6 X 30		2	M48.50						
20	999 512 651 09	hose clamp 15 X 12		1							
21	948 110 247 01	connecting hose tank ventilation		1							
22	999 512 489 00	hose clamp 15,7 - 18,5		1	M48.00						
(22)	999 512 489 00	hose clamp 15,7 - 18,5		2	M48.50						
23 A	999 137 092 40	angled pipe		1	M48.50						
(23)	999 137 094 40	angled pipe		1	M48.50						
24	948 110 147 51	t-piece tank ventilation		1	M48.50						
25	948 110 148 00	line tank ventilation		1	M48.00						
(25)	948 110 148 51	line tank ventilation		1	M48.50						
26	999 512 684 09	clamp 18 X 12		2	M48.50						
27	948 110 727 00	cap		X							

Model	Year	MG	SG	Illustration	Restrictions	Update	18:30	16.08.2006	PORSCHE	PET	PORSCHE
9pa	06	1	07	107-02		203					

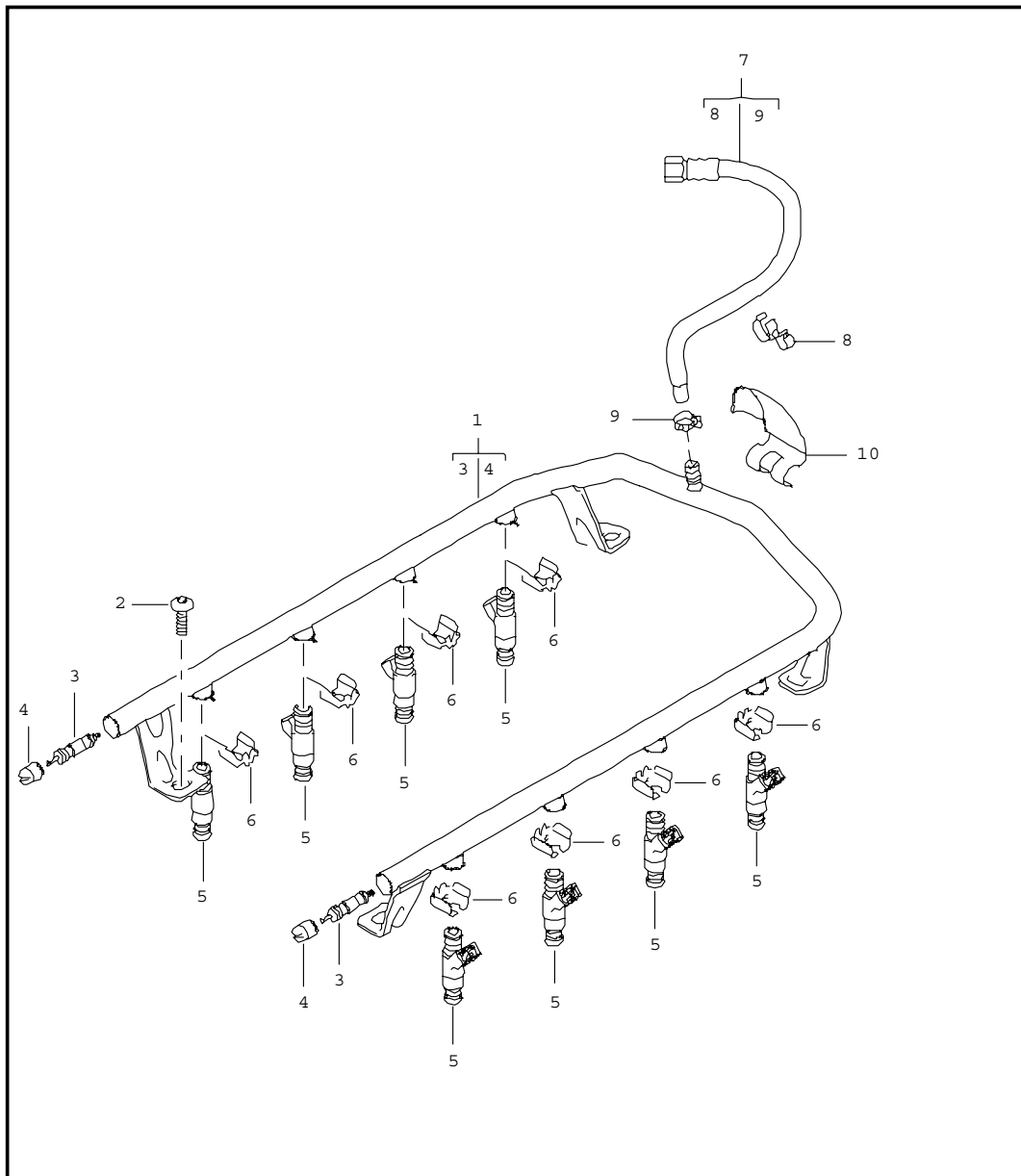


Pos	Part Number	Name	Remarks	Qty	Model
		intake manifold throttle body	04-		M02.2Y
1	U 955 110 201 00	intake distributor		1	
(1)	955 110 009 00	intake manifold		1	
2	955 110 588 00	sleeve		9	
3	955 110 327 00	gasket		1	
4	955 605 062 00	throttle body		1	
5	A 955 110 237 10	gasket		1	
(5)	996 110 319 00	sealing ring	-05	1	
(5)	997 110 319 00	gasket	06-	1	
6	U 955 110 759 00	shift mechanism		1	
7	U 955 110 763 00	repair kit		2	
7	N 905 315 01	round seal 36,2 X 2,62		2	
8	U 955 110 760 00	cover		1	
9	955 110 935 00	repair kit shift mechanism comprising: shift mechanism shift rod cover		1 1 1 1	
10	N 104 734 01	oval-head screw M 6 X 20		5	
11	N 903 382 02	pan-head screw AM 6 X 45		4	
12	N 908 716 01	pan-head screw AM 7 X 40		9	
13	034 133 335 D	cap		1	
14	N 011 006 32	hexagon nut M6		2	
15	955 110 778 00	vacuum hose complete	-05	1	
(15)	955 110 778 02	vacuum line	06-	1	
16	955 605 283 00	change-over valve		2	
17	955 110 808 00	vacuum tank		1	

Model	Year	MG	SG	Illustration	Restrictions	Update	18:30	16.08.2006	PORSCHE	PET	PORSCHE
9pa	06	1	07	107-02		203					

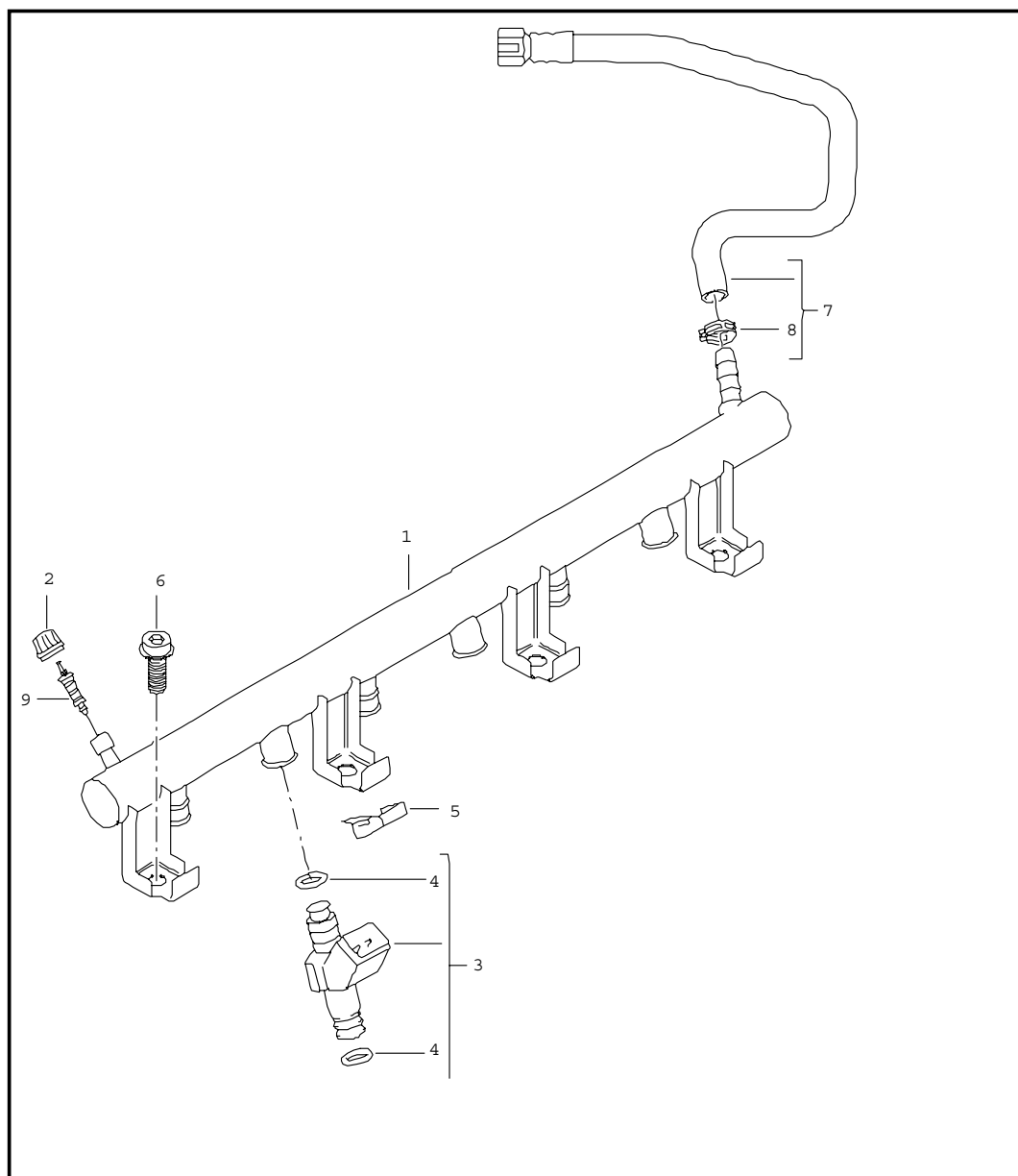
Pos	Part Number	Name	Remarks	Qty	Model	Pos	Part Number	Name	Remarks	Qty	Model
18	955 110 259 00	support		1		(37)	N 904 121 03	screw M 6 X 25	06-	1	
19	A 955 110 366 00	connecting hose		1		40	955 110 502 00	support		1	
(19)	955 110 366 01	connecting hose	-05	1		41	955 607 520 00	cable terminal		1	
(19)	955 110 366 02	connecting hose	06-	1							
20	955 605 517 00	valve		1							
21	955 110 459 00	support ring		1							
22	N 906 867 01	hose clamp B 14 X 12		2							
23	955 110 701 00	tie-wrap		1							
24	N 013 884 10	hexagon-head bolt ST 4,8 X 13	-05	1							
(24)	N 013 884 13	hexagon-head tapping screw ST 4,8 X 13	06-	1							
25	N 908 575 02	double socket M 6 X 14 / M 6 X 8		2							
26	955 110 913 00	grommet		2							
27	955 110 765 00	valve crankcase bleeding		1							
28	955 110 750 00	venturi tube		1							
29	N 106 113 01	hose holder		1							
30	N 105 282 01	hose holder		1							
31	N 106 072 01	hose holder		1							
32	N 906 815 01	hose holder		2							
33	A 955 110 366 10	connecting hose		1							
(33)	955 110 366 11	connecting hose		1							
34	948 605 137 03	t-socket heated		1							
35	N 104 734 01	oval-head screw PT 6 X 20		1							
36	999 230 770 40	plug		1							
37	N 904 121 02	screw M 6 X 25	-05	1							

Model	Year	MG	SG	Illustration	Restrictions	Update	18:30	16.08.2006	PORSCHE	PET	PORSCHE
9pa	06	1	07	107-05		203					



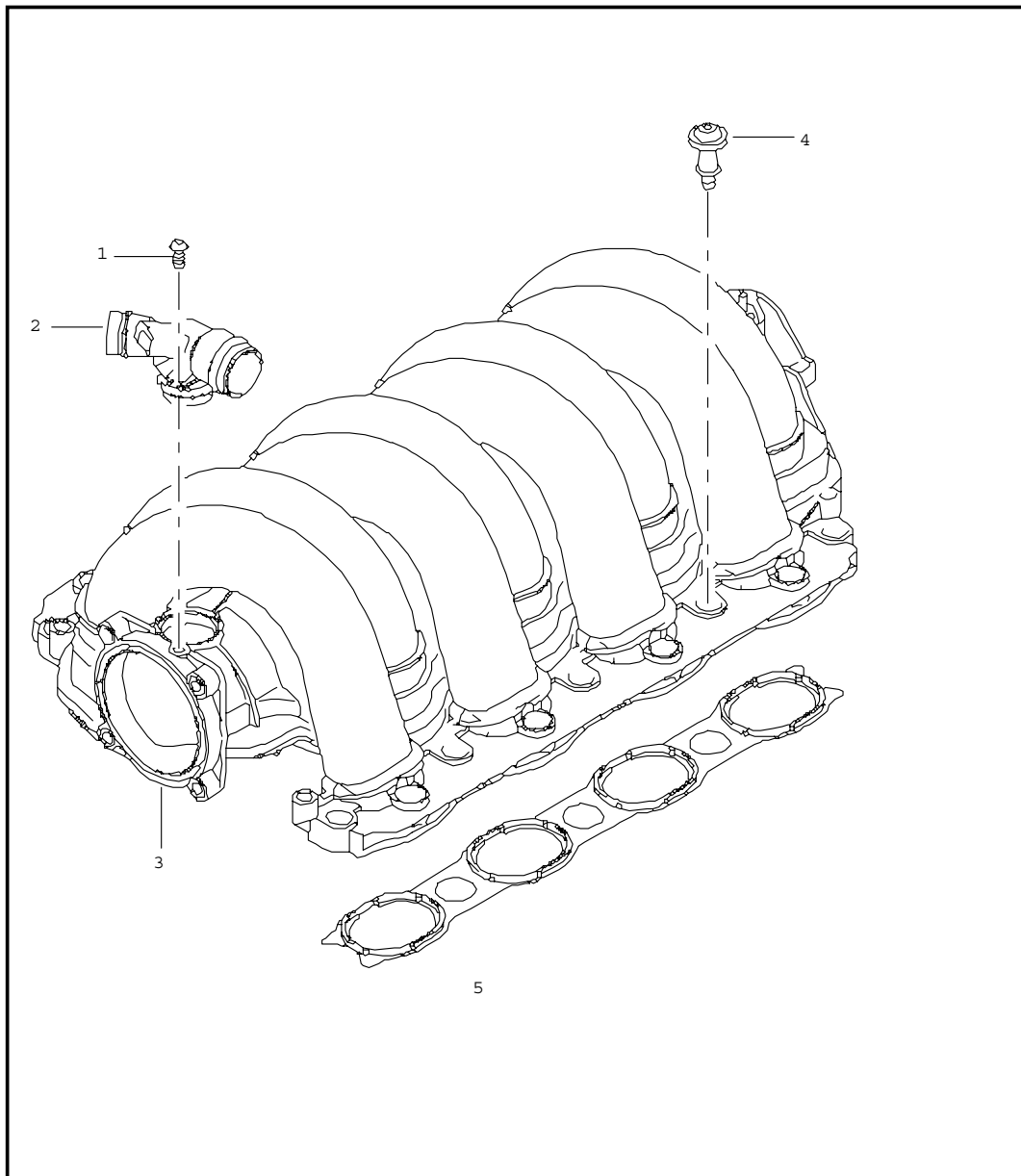
Pos	Part Number	Name	Remarks	Qty	Model
		fuel collection pipe			M48.00/50
1	U 948 110 113 01	fuel collection pipe		1	
(1)	948 110 113 02	fuel collection pipe		1	
2	999 073 236 0A	oval-head screw M 6 X 10		4	
3	948 110 217 00	valve insert		2	
4	948 110 218 00	cap		2	
5	A 948 605 130 00	injector valve		8	M48.00
(5)	948 605 130 01	injector valve		8	M48.00
(5)	948 605 131 01	injector valve		8	M48.50
6	948 110 413 00	retaining clip		8	
7	955 110 295 10	fuel line	-05	1	
(7)	955 110 295 11	fuel line	06-	1	
8	N 104 226 01	hose holder A 03-14 X C 01-16		1	
9	N 906 867 01	hose clamp B 14 X 12		1	
10	955 110 401 01	cover plate		1	
- - - E N D - - -					

Model	Year	MG	SG	Illustration	Restrictions	Update	18:30	16.08.2006	PORSCHE	PET	PORSCHE
9pa	06	1	07	107-06		203					



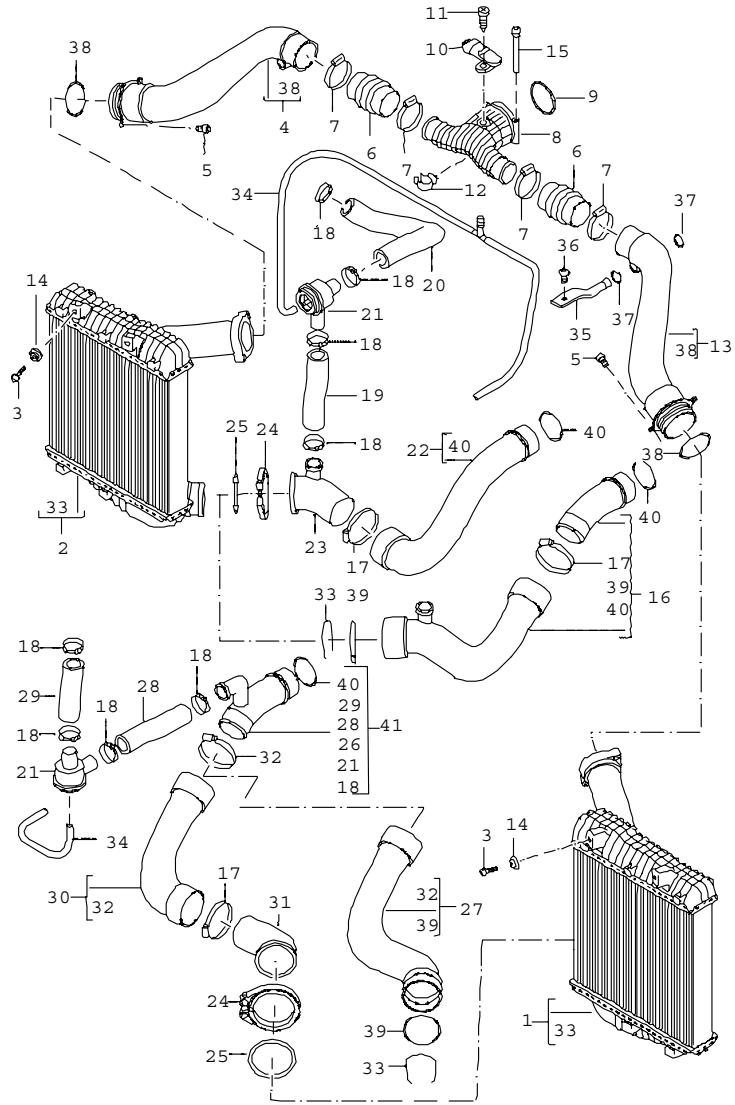
Pos	Part Number	Name	Remarks	Qty	Model
		fuel collection pipe	04-		M02.2Y
1	955 110 317 00	fuel collection pipe		1	
2	955 110 335 00	cap silver		6	
3	955 605 031 00	injector valve		6	
(3)	955 605 031 10	injector valve	CHINA	6	
4	944 110 901 01	o-ring 7,52 X 3,53		6	
(4)	955 110 902 00	round seal 9,3 X 2,62		6	
5	955 110 047 00	safety clip		6	
6	N 100 841 02	pan-head screw M 6 X 16		4	
7	955 201 295 00	fuel line	04	1	
(7)	955 110 295 01	fuel line	05-	1	
8	N 906 867 01	hose clamp B 14 X 12		1	
9	955 110 434 00	valve		1	
- - - E N D - - -					

Model	Year	MG	SG	Illustration	Restrictions	Update	18:30	16.08.2006	PORSCHE	PET	PORSCHE
9pa	06	1	07	107-10		203					



Pos	Part Number	Name	Remarks	Qty	Model
		intake distributor			M48.00/50
1	999 919 164 09	oval-head screw M 5 X 12		1	
2	948 605 137 03	t-socket		1	
3	948 110 011 02	intake distributor		1	
4	948 110 141 00	fastening part intake distributor		10	
5	948 110 145 01	gasket intake distributor		2	
		- - - E N D - - -			

Model	Year	MG	SG	Illustration	Restrictions	Update	18:31	16.08.2006	PORSCHE	PET	PORSCHE
9pa	06	1	07	107-20		203					



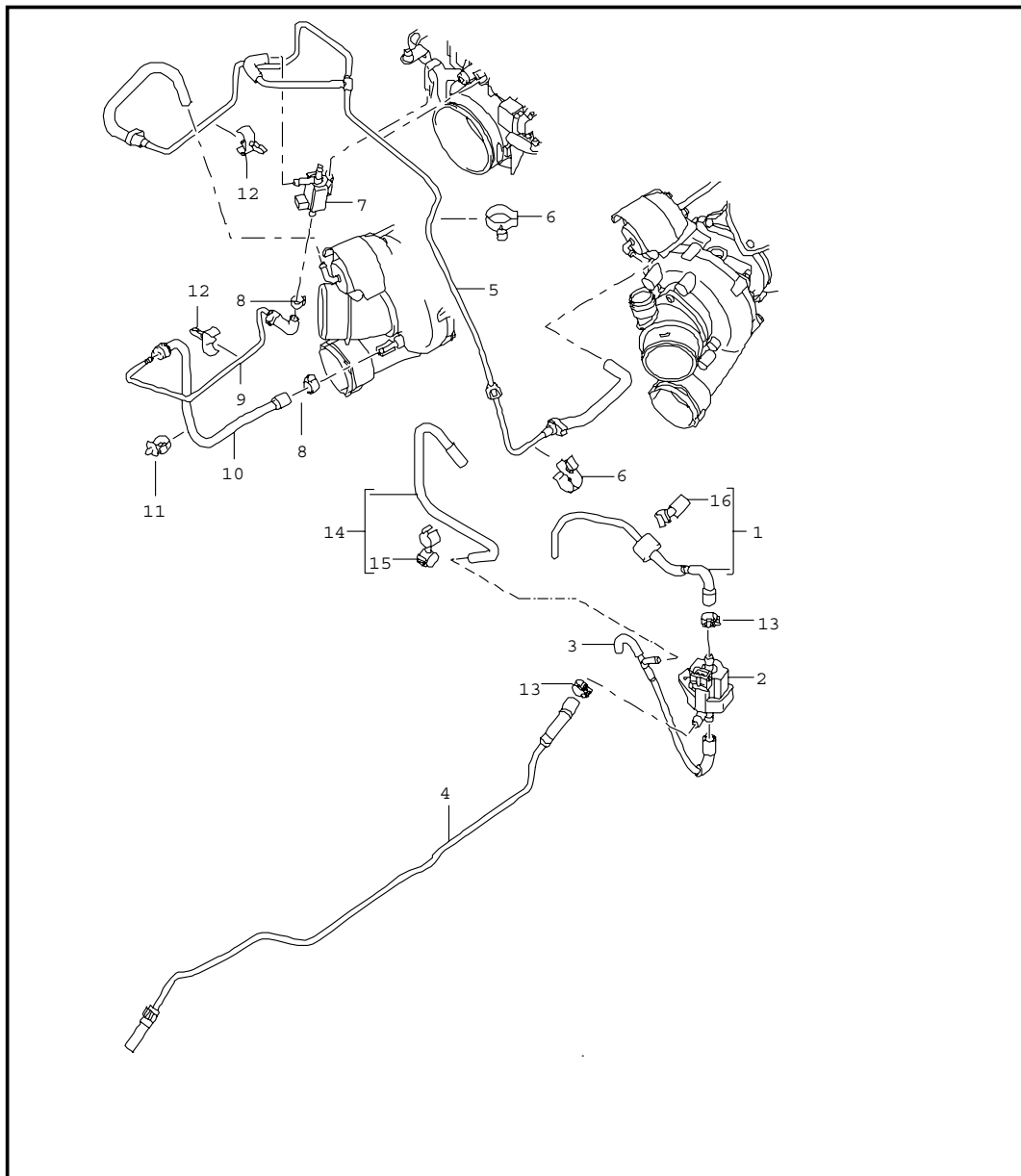
Pos	Part Number	Name	Remarks	Qty	Model
1	955 110 803 00	supercharging 1 charge air cooler	/L	1	ID9L
(1)	955 110 803 41	charge air cooler	/L 05-	1	IE81
(1)	955 110 803 41	charge air cooler	/L 06-	1	IE8A
2	955 110 804 00	charge air cooler	/R	1	
(2)	955 110 804 41	charge air cooler	/R 05-	1	IE81
(2)	955 110 804 41	charge air cooler	/R 06-	1	IE8A
3	N 910 538 01	hexagon-head bolt M 6 X 20		6	
4	955 110 624 00	pressure pipe	/R -04	1	
(4)	955 110 624 01	pressure pipe	/R 05-	1	
5	N 103 231 01	pan-head screw M 6 X 20		4	
6	955 110 107 00	bellows		2	
7	N 105 188 01	hose clamp 40-60 X 12		4	
8	955 110 046 50	pressure pipe		1	
9	N 910 171 01	round seal 87.0 X 4.0		1	
10	A 955 606 180 00	sensor boost pressure		1	
(10)	996 606 180 00	sensor boost pressure		1	
11	N 909 899 01	oval-head screw KA 6.0 X 18.0		1	
12	955 110 636 00	support		1	
13	955 110 623 00	pressure pipe	/L -04	1	
(13)	955 110 623 01	pressure pipe	/L 05-	1	
14	955 110 268 00	spacer sleeve	03	6	
(14)	955 110 268 01	spacer sleeve	04-	6	

Model	Year	MG	SG	Illustration	Restrictions	Update	18:31	16.08.2006	PORSCHE	PET	PORSCHE
9pa	06	1	07	107-20		203					

Pos	Part Number	Name	Remarks	Qty	Model	Pos	Part Number	Name	Remarks	Qty	Model
15	955 110 670 00	bolt locking device		2		30	955 110 837 00	pressure hose	/L 06-	1	IE8A
16	A 955 110 645 00	pressure hose	/R	1		31	955 110 367 00	pressure pipe	/L 05-	1	IE81
(16)	955 110 834 00	pressure pipe	/R	1		31	955 110 367 00	pressure pipe	/L 06-	1	IE8A
17	N 024 505 6	hose clamp A 50-70 X 9,0		2		32	955 110 142 00	hose clamp 50 - 70 X 9		1	
18	955 110 917 00	hose clamp B 34 X 12		8		33	955 106 802 00	retainer spring		2	
19	955 110 742 00	hose		1		34	955 110 693 00	air hose		1	
20	955 110 742 10	hose		1		35	955 110 383 00	support for pressure pipe		2	
21	955 110 710 00	shut-off valve		2		36	N 906 462 01	oval-head screw M 6 X 12		2	
22	955 110 838 00	pressure hose	/R 05-	1	IE81	37	900 041 004 01	circlip 10 X 1		4	
22	955 110 838 00	pressure hose	/R 06-	1	IE8A	38	WHT 001 018	o-ring 57 X 4		2	
23	955 110 368 00	pressure pipe	/R 05-	1	IE81	39	955 110 721 00	round seal 58,05 X 3,55		2	
23	955 110 368 00	pressure pipe	/R 06-	1	IE8A	40	955 110 720 00	round seal 43,95 X 3,5		3	
24	955 110 807 00	hose clamp with screw	05-	2	IE81	41	955 110 673 50	pressure pipe complete		1	
24	955 110 807 00	hose clamp with screw	06-	2	IE8A						
25	N 106 203 01	o-ring 56 X 3,55	05-	2	IE81						
25	N 106 203 01	o-ring 56 X 3,55	06-	2	IE8A						
26	955 110 727 00	pressure pipe	/L	1							
27	955 110 644 00	pressure hose	/L	1							
28	955 110 743 00	hose		1							
29	955 110 743 10	hose		1							
30	955 110 837 00	pressure hose	/L 05-	1	IE81						

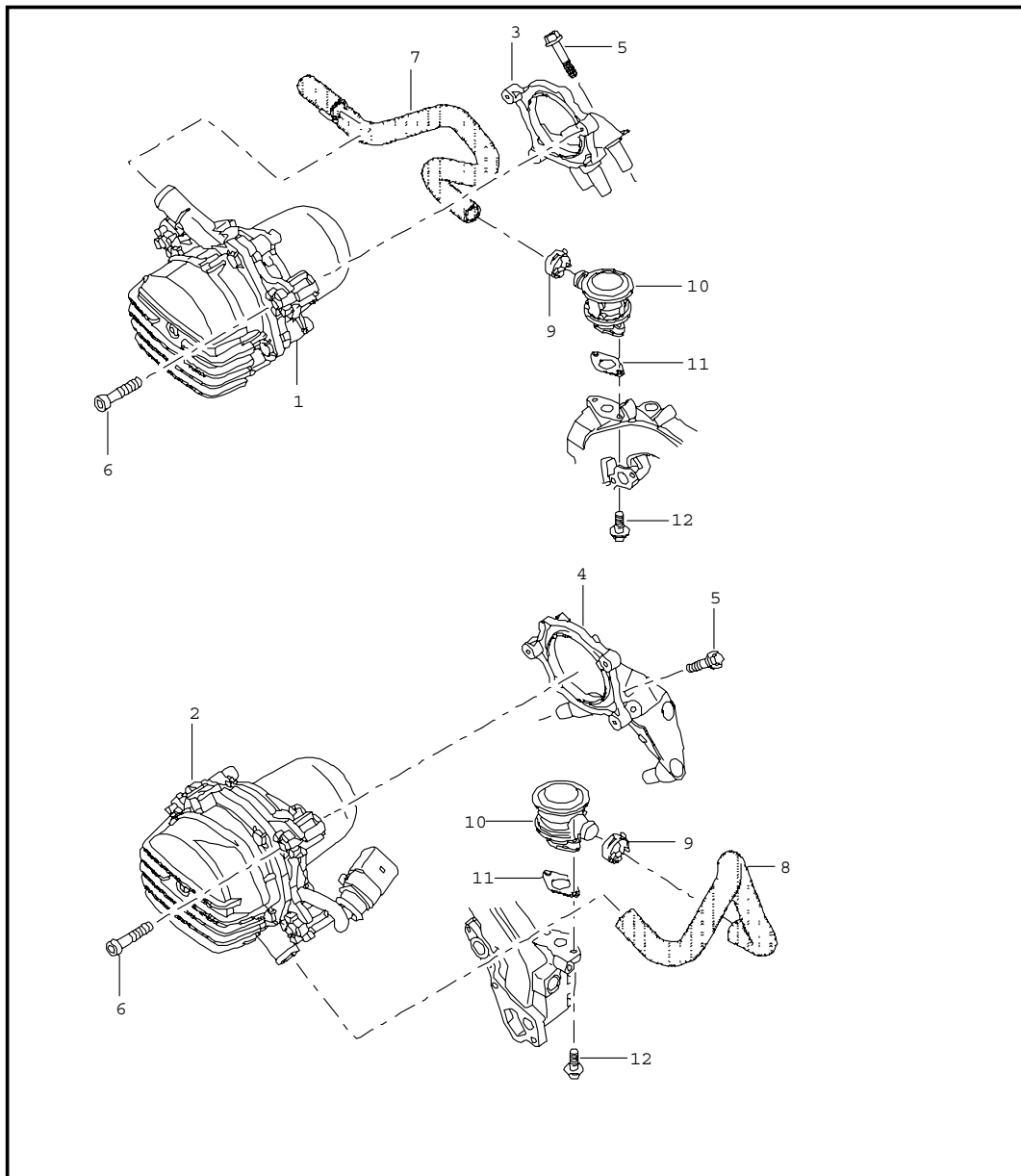
- - - E N D - - -

Model	Year	MG	SG	Illustration	Restrictions	Update	18:31	16.08.2006	PORSCHE	PET	PORSCHE
9pa	06	1	07	107-25		203					



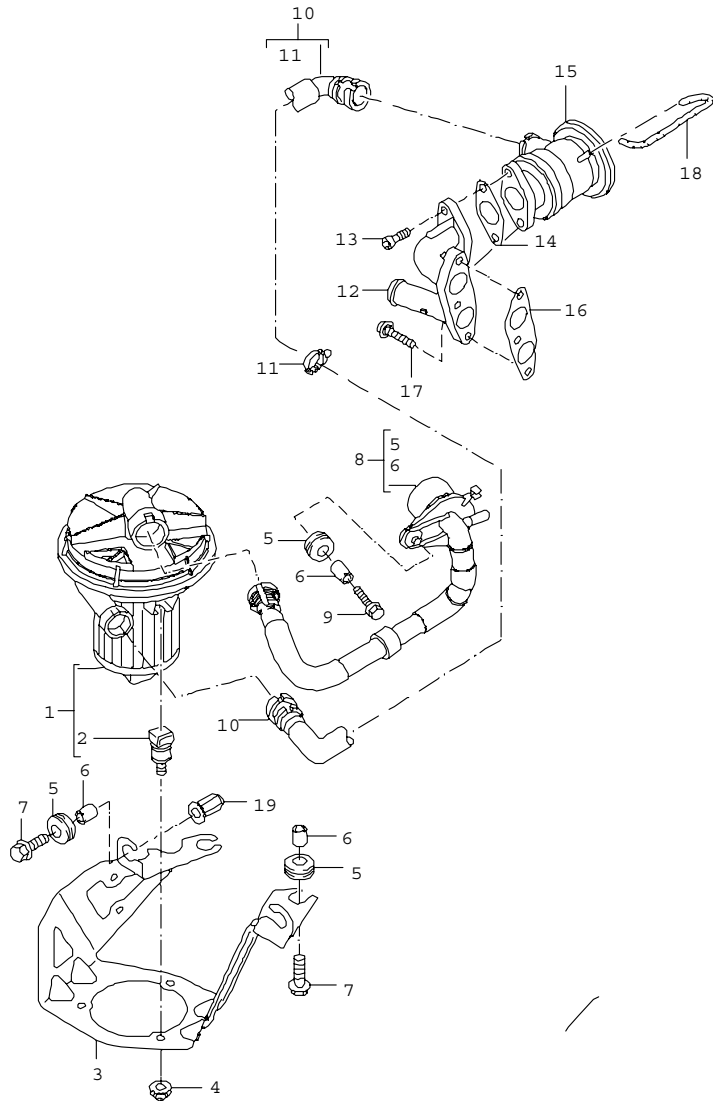
Pos	Part Number	Name	Remarks	Qty	Model
		supercharging 2 control line pressure line			M48.50
1	948 110 314 53	pressure line		1	
2	948 605 125 00	change-over valve M >> 826 04998		1	
(2)	948 605 125 01	change-over valve M 826 04999 >>		1	
3	948 110 348 51	vacuum line		1	
4	948 110 384 52	control line		1	
5	948 110 656 54	control line		1	
6	999 507 800 40	hose holder 6,5 / 24,5		2	
7	996 605 155 00	cycle valve		1	
8	999 512 688 00	hose clamp 10,5 - 11,5		2	
9	948 110 230 51	pressure line		1	
10	900 926 016 40	hose 5 X 270		1	
11	999 507 813 40	cable holder 11,5 - 12,7		1	
12	999 507 799 40	cable holder 6,0		2	
13	999 512 689 00	hose clamp 12,5 - 14,0		2	
16	999 507 806 40	hose holder A 01-10,5 X C 01-9,0		1	
		- - - E N D - - -			

Model	Year	MG	SG	Illustration	Restrictions	Update	18:31	16.08.2006	PORSCHE	PET	PORSCHE
9pa	06	1	08	108-00		203					



Pos	Part Number	Name	Remarks	Qty	Model
		air injection secondary pump			M48.00/50
1	955 605 104 20	air pump cyl. 1 - 4		1	
2	955 605 105 10	air pump cyl. 5 - 8		1	
3	955 113 106 00	bracket cyl. 1 - 4		1	
4	955 113 107 00	bracket cyl. 5 - 8		1	
5	900 385 010 09	torx screw BM 6 X 50		6	
6	955 113 325 00	oval-head screw M 6 X 50		6	
7	955 113 238 10	hose		1	
8	955 113 239 10	hose		1	
9	N 906 870 01	hose clamp		2	
10	948 113 203 01	valve		2	M48.00
(10)	948 113 203 51	valve		2	M48.50
11	993 113 258 51	gasket		2	
12	900 385 019 09	torx screw BM 6 X 20		4	
- - - E N D - - -					

Model	Year	MG	SG	Illustration	Restrictions	Update	18:31	16.08.2006	PORSCHE	PET	PORSCHE
9pa	06	1	08	108-03		203					

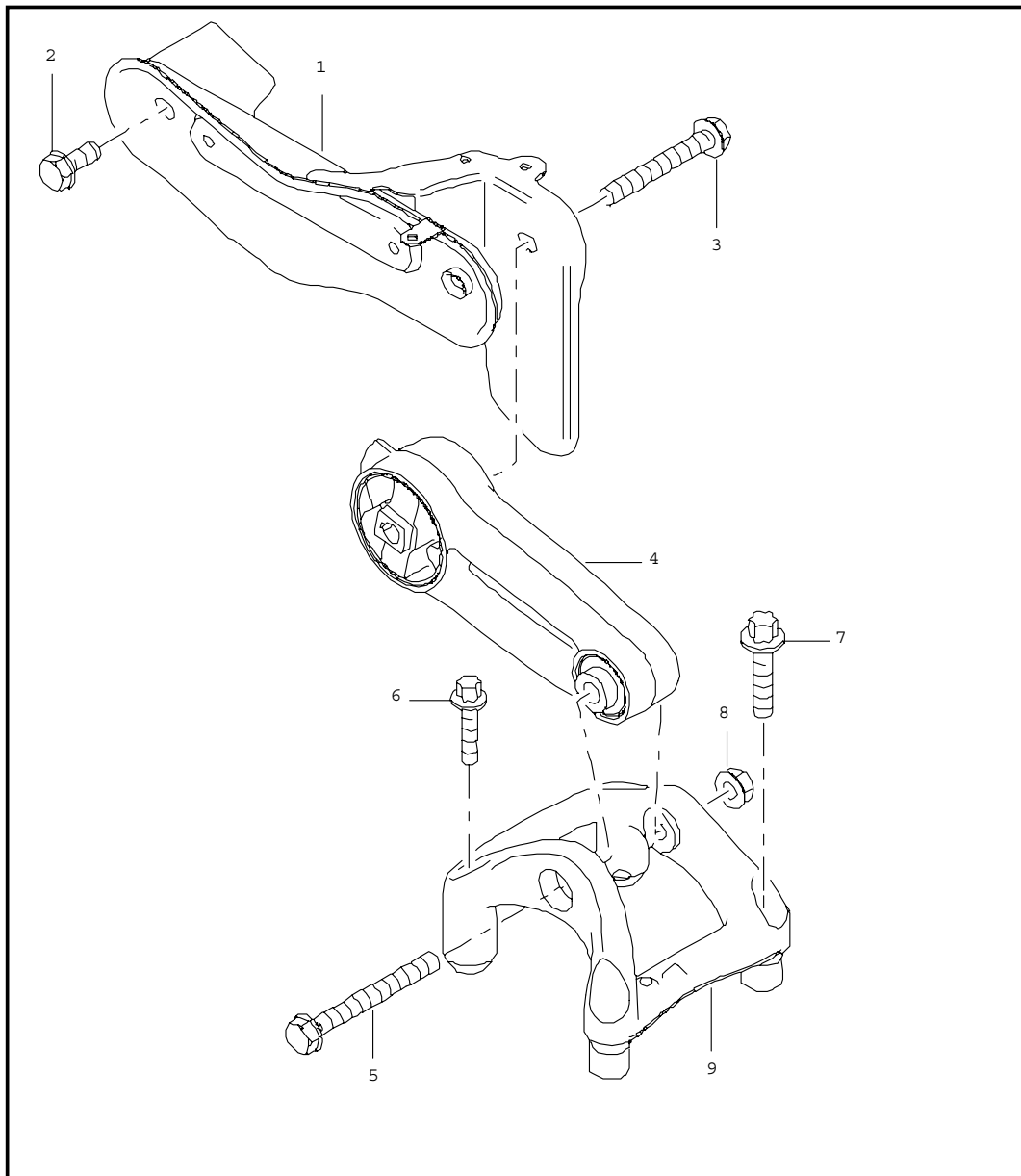


Pos	Part Number	Name	Remarks	Qty	Model
		air injection secondary pump	04-		M02.2Y
1	955 605 601 00	secondary pump		1	
2	955 113 567 00	rubber stop		3	
3	955 113 287 00	support secondary pump		1	
4	N 015 082 5	hexagon nut M 6		3	
5	955 110 669 00	grommet		5	
6	955 110 734 00	spacer sleeve		5	
7	N 105 284 01	hexagon-head bolt M 6 X 30	-05	4	
(7) N	N 105 284 02	hexagon-head bolt M 6 X 30	06-	4	
8	955 113 343 00	air cleaner with suction hose		1	I1BK
(8)	955 113 343 10	air cleaner with suction hose		1	I1BA
9	N 101 579 02	hexagon-head bolt M 6 X 25		1	
10	955 113 626 00	connecting hose		1	
11	N 908 602 01	hose holder B 21		1	
12	955 113 119 00	adapter		1	
13	N 014 702 10	pan-head screw M 6 X 15	-05	2	
(13)	N 101 244 08	torx screw M 6 X 20	06-	2	
14	955 113 120 00	gasket	-05	1	
(14)	955 113 120 01	gasket	06-	1	
15	U 955 113 101 00	shut-off valve		1	
(15)	955 113 101 20	shut-off valve	-05	1	
(15)	955 113 101 21	shut-off valve	06-	1	
16	955 113 120 10	gasket		1	

Model	Year	MG	SG	Illustration	Restrictions	Update	18:31	16.08.2006	PORSCHE	PET	PORSCHE
9pa	06	1	08	108-03		203					

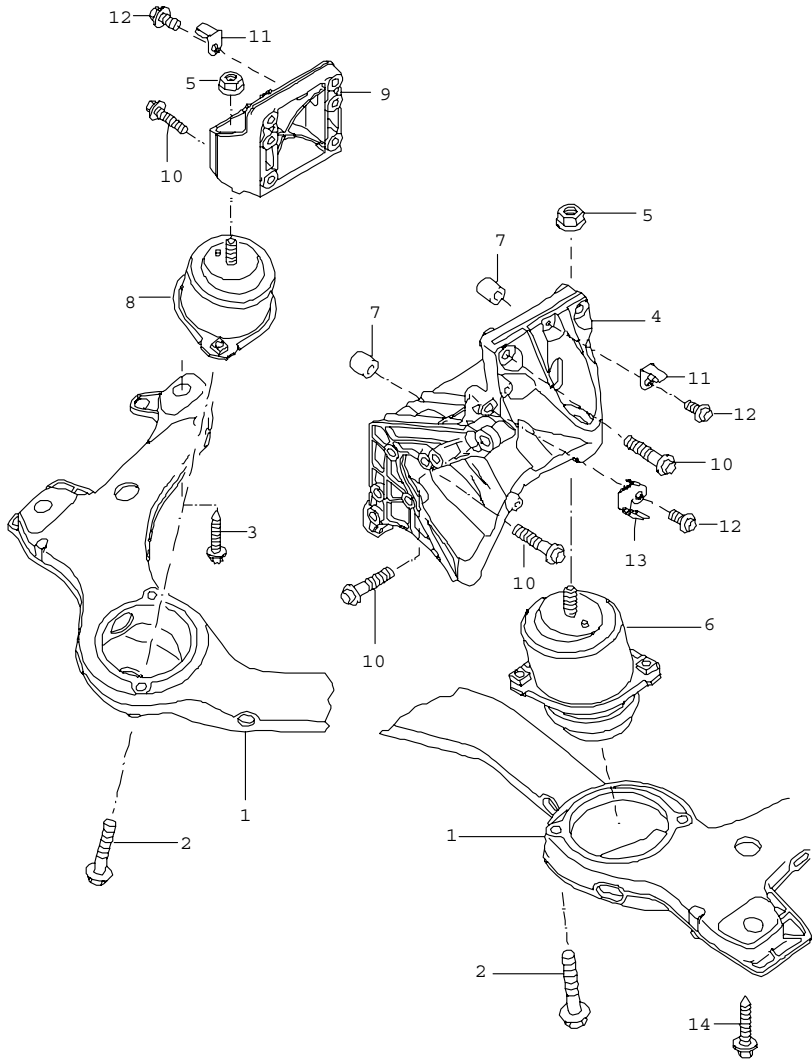
Pos	Part Number	Name	Remarks	Qty	Model	Pos	Part Number	Name	Remarks	Qty	Model
17	N 905 006 01	pan-head screw M 6 X 22	-05	3							
(17)	N 910 717 01	round head screw M 6 X 25	06-	3							
18	...	vacuum hose see illustrations 1/07/02		1							
19	N N 902 631 04	blind rivet nut M 6		2							
		- - - E N D - - -									

Model	Year	MG	SG	Illustration	Restrictions	Update	18:31	16.08.2006	PORSCHE	PET	PORSCHE
9pa	06	1	09	109-00		203					



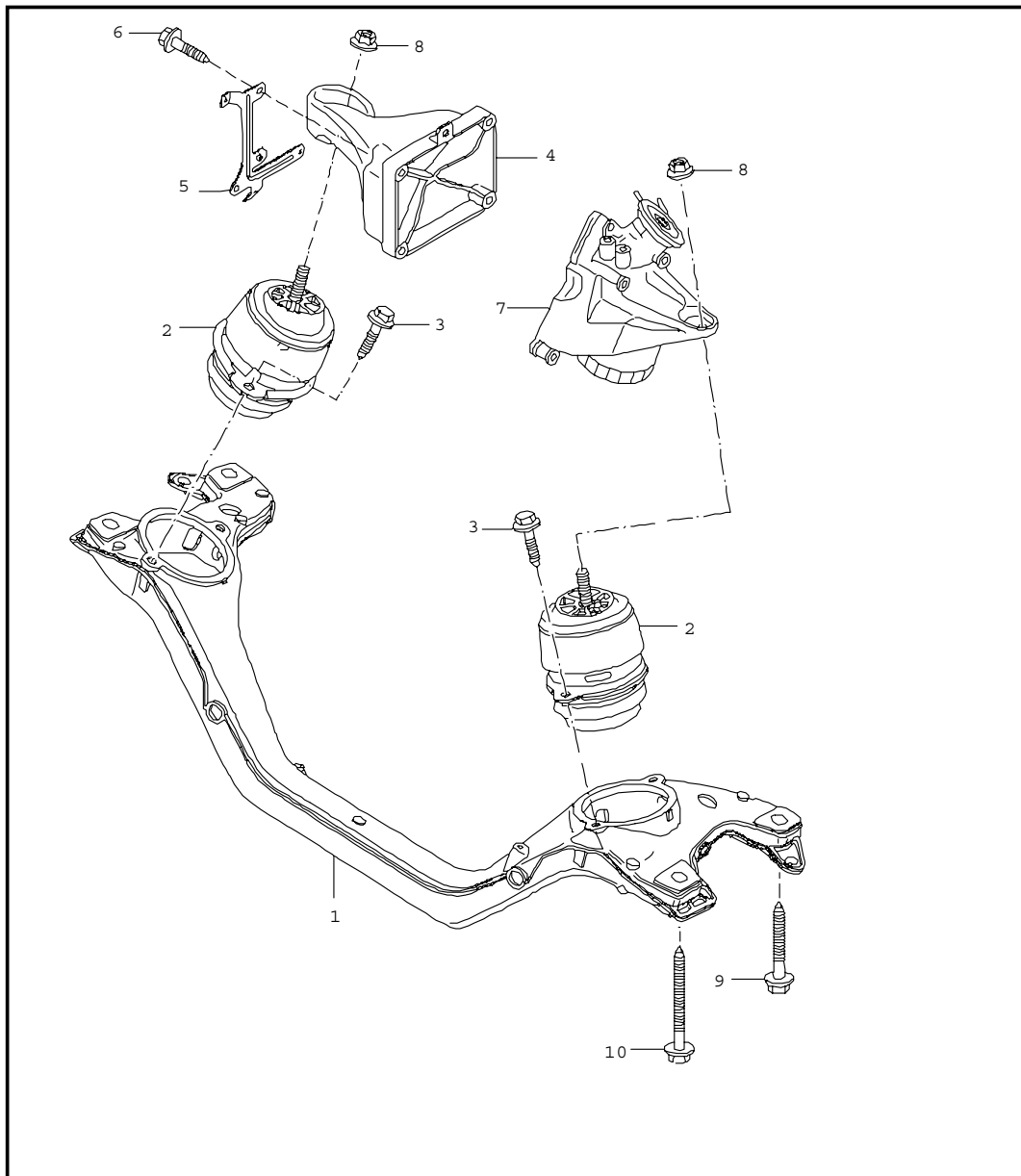
Pos	Part Number	Name	Remarks	Qty	Model
		engine suspension upper			M48.00/50
1	955 375 112 10	bracket		1	
2	N 908 932 01	hexagon-head bolt M 10 X 20		1	
3	N 102 902 04	hexagon-head bolt AM 10 X 70		1	
4	A 955 375 101 10	bracket		1	
(4)	955 375 101 11	bracket		1	
5	A N 102 961 03	hexagon-head bolt AM 10 X 90		1	
(5)	N 102 961 05	hexagon-head bolt AM 10 X 90		1	
6	900 385 045 09	torx screw BM 6 X 40		2	
7	900 385 018 09	torx screw BM 8 X 45		2	
8	N 102 861 02	hexagon nut M 10		1	
9	A 948 115 203 52	bracket		1	
(9)	948 115 203 53	bracket		1	
- - - E N D - - -					

Model	Year	MG	SG	Illustration	Restrictions	Update	18:32	16.08.2006	PORSCHE	PET	PORSCHE
9pa	06	1	09	109-05		203					



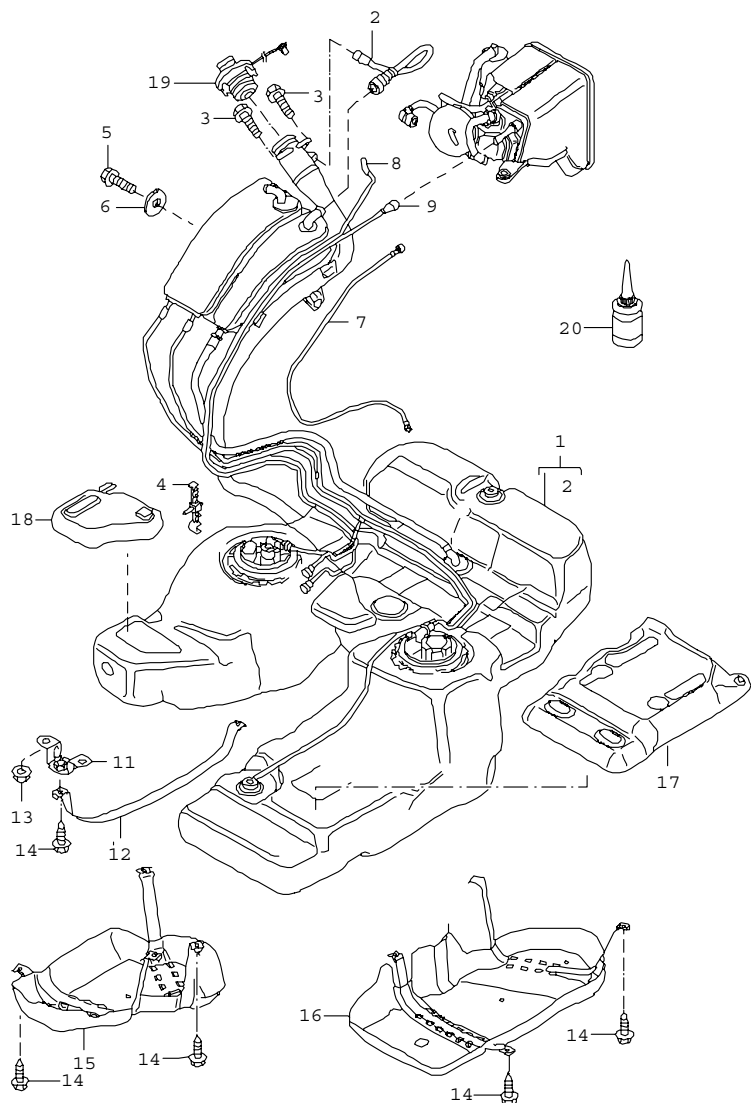
Pos	Part Number	Name	Remarks	Qty	Model
		engine suspension lower			M48.00/50
1	A 948 375 309 01	engine carrier		1	
(1)	948 375 309 02	engine carrier		1	
2	900 378 004 09	hexagon-head bolt BM 10 X 65		4	
3	N 910 144 01	screw M 14 X 1,5 X 100		2	
4	948 102 213 05	bracket		1	
5	999 084 445 09	lock nut M 12 X 1,5		2	
6	948 375 049 01	engine mounting	/L	1	
7	999 095 066 00	dowel sleeve		2	
8	948 375 050 01	engine mounting	/R	1	
9	948 115 201 03	bracket		1	
10	900 385 011 09	torx screw BM 10 X 45		16	
11	948 606 113 01	support line oxygen sensor		2	M48.00
--	999 651 392 07	cable clamp 9,5 - 10,5		2	M48.00
12	900 385 041 09	torx screw BM 6 X 12		3	M48.00
(12)	900 385 041 09	torx screw BM 6 X 12		1	M48.50
13	948 606 112 01	support line oxygen sensor		1	
--	999 507 808 09	cable holder 6,0		1	
14	see illustrations 4/01/00		2	
- - - E N D - - -					

Model	Year	MG	SG	Illustration	Restrictions	Update	18:32	16.08.2006	PORSCHE	PET	PORSCHE
9pa	06	1	09	109-10		203					



Pos	Part Number	Name	Remarks	Qty	Model
		engine suspension lower	04-		M02.2Y
1	955 375 309 01	engine carrier		1	
2	955 375 049 00	hydraulic mount		2	
3	N 105 167 01	hexagon-head bolt AM 10 X 55		4	
4	955 115 201 00	motor console		1	
5	955 607 208 00	support		1	
6	N 909 784 01	hexagon-head bolt M 10 X 35		4	
7	...	see illustrations 1/04/11		1	
8	N 104 029 01	hexagon nut M 12 X 1,5		2	
9	N 910 144 01	screw AM 14 X 1,5 X 100		2	
10	...	see illustrations 4/01/00 POS.2		2	
- - - E N D - - -					

Model	Year	MG	SG	Illustration	Restrictions	Update	18:32	16.08.2006	PORSCHE	PET	PORSCHE
9pa	06	2	01	201-00		203					

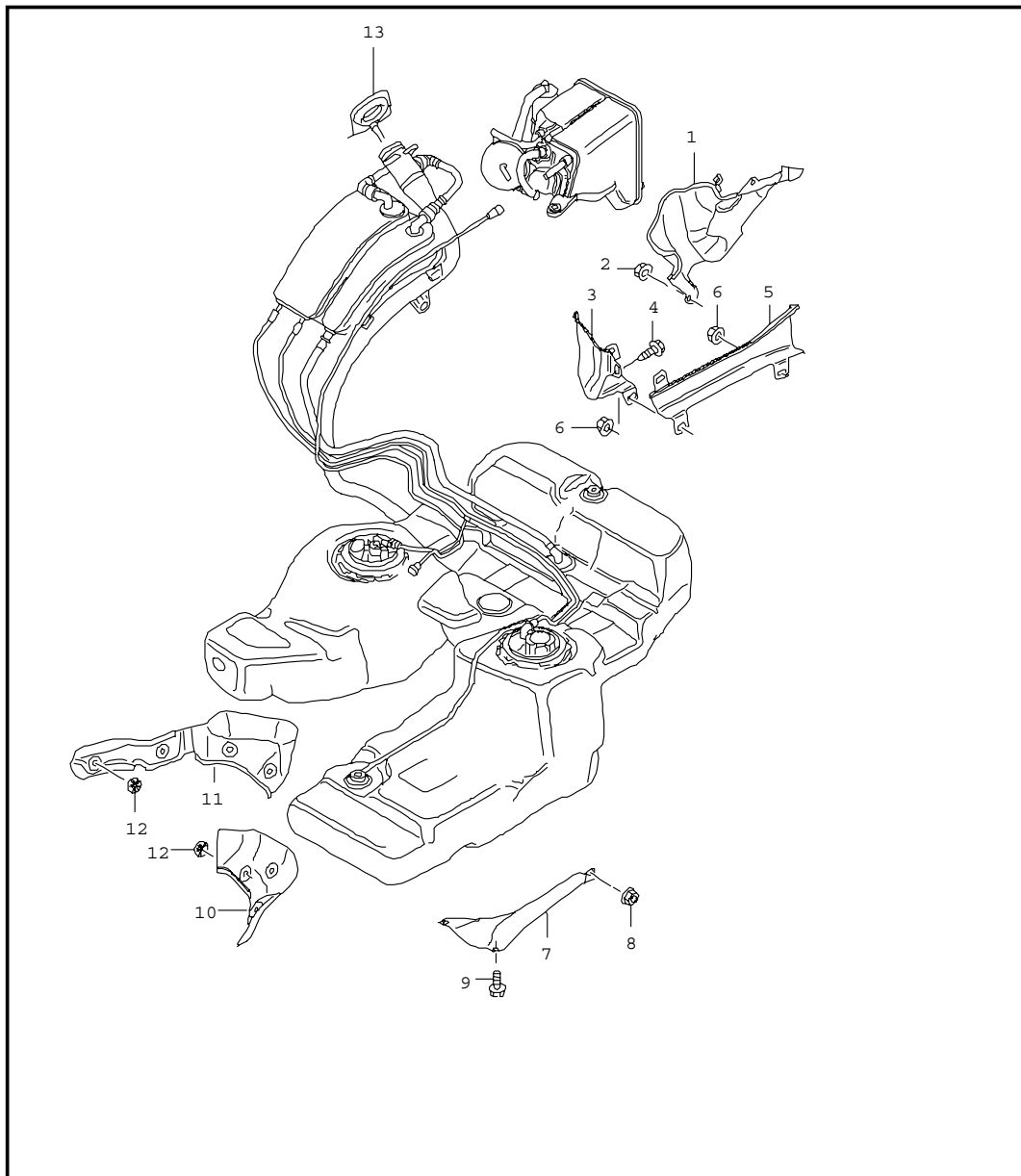


Pos	Part Number	Name	Remarks	Qty	Model
		fuel tank with accessories			
1	A 955 201 075 00	fuel tank		1	I2G1
(1)	955 201 075 01	fuel tank	04	1	I2G1
(1)	955 201 075 02	fuel tank	05-	1	I2G1
(1)	A 955 201 075 20	fuel tank		1	I2G3
(1)	A 955 201 075 22	fuel tank		1	I2G3
(1)	955 201 075 25	fuel tank		1	I2G3
2	955 201 266 00	breather pipe		1	I2G1/I2G3
3	N 100 092 02	screw M 6 X 20		3	
4	955 201 897 00	fixing clip		1	
5	N 101 711 02	hexagon-head bolt M 6 X 16	-05	1	
(5)	N 910 345 01	screw M 6 x 20	06-	1	
6	N 902 259 01	washer 6,2 X 24 X 2	-05	1	
7	955 201 255 04	breather pipe		1	
9	955 201 851 00	purge-air line		1	
11	955 201 751 00	support		2	
12	955 201 107 00	restraining strap centre		1	
13	N 908 243 01	nut M 8		4	
14	N 019 530 3	hexagon-head bolt M 8 X 25		10	
15	955 201 331 00	cover with restraining strap		1	I6EP/I6EQ
(15)	955 201 331 10	cover with restraining strap	04-	1	I6EB/6ES/6ET

Model	Year	MG	SG	Illustration	Restrictions	Update						
9pa	06	2	01	201-00		203	18:32	16.08.2006	PORSCHE	PET	PORSCHE	

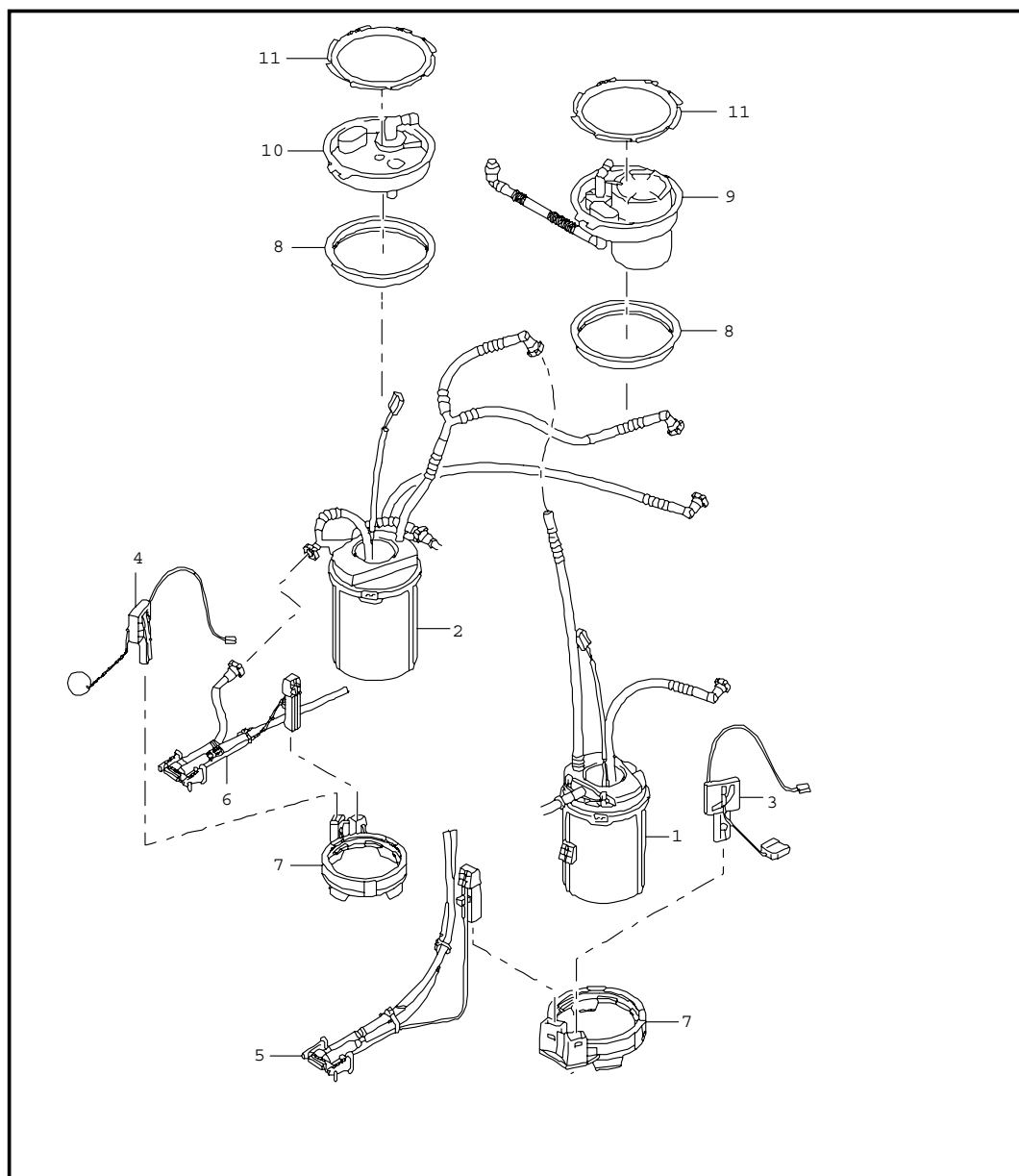
Pos	Part Number	Name	Remarks	Qty	Model	Pos	Part Number	Name	Remarks	Qty	Model
16	A 955 201 332 00	cover with restraining strap		1	I6EP/I6EQ						
16	955 201 332 01	cover with restraining strap		1	I6EP/I6EQ						
(16)	955 201 332 10	cover with restraining strap	04-	1	I6EB/6ES/6ET						
17	955 201 333 00	cover upper left		1							
18	955 201 334 00	cover upper right		1							
19	U 955 201 241 00	cover with retaining strap		1							
(19)	A 955 201 241 10	cover with retaining strap		1	I2G1/I2G3						
(19)	955 201 241 11	cover with retaining strap		1	I2G1/I2G3						
		- - - E N D - - -									

Model	Year	MG	SG	Illustration	Restrictions	Update	18:32	16.08.2006	PORSCHE	PET	PORSCHE
9pa	06	2	01	201-01		203					



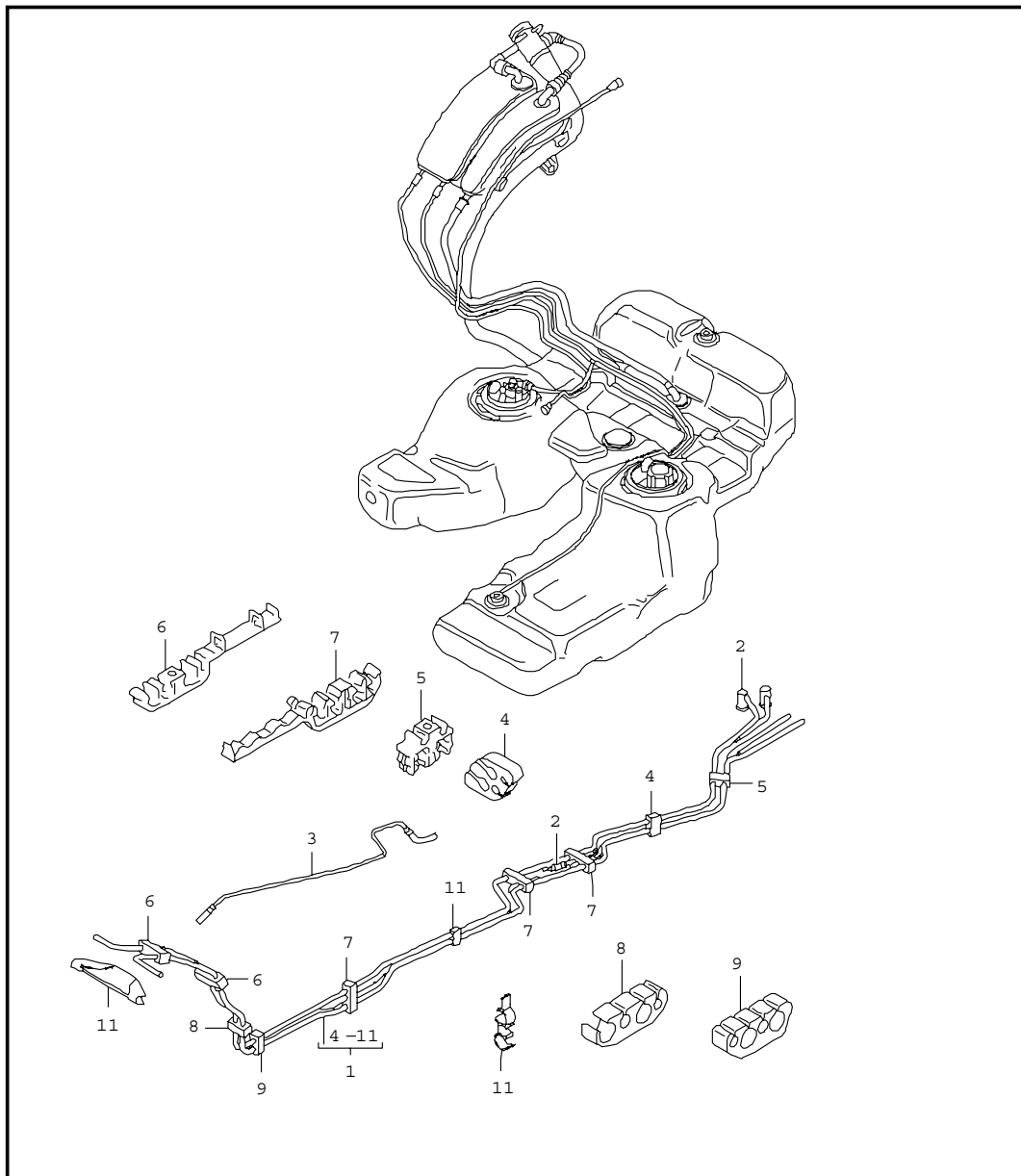
Pos	Part Number	Name	Remarks	Qty	Model
		fuel tank with accessories			
1	955 201 206 00	protective plate	-04	1	
(1)	955 201 206 02	protective plate	05-	1	
2	N 904 560 02	hexagon nut M 6		3	
3	955 201 205 00	protective plate		1	
4	N 100 092 02	screw M 6 X 20		1	
5	955 201 207 00	protective plate		1	
6	N 908 786 01	nut M 6		3	
7	955 201 208 00	protective plate cardan shaft		1	
8	N 902 891 02	hexagon nut M 8		1	
9	N 100 091 05	screw M 6 X 12		2	
10	955 201 209 00	cover plate left		1	
11	955 201 210 00	cover plate right		1	
12	N 903 350 02	clamping washer		7	
13	955 201 251 00	filler neck		1	
		- - - E N D - - -			

Model	Year	MG	SG	Illustration	Restrictions	Update	18:33	16.08.2006	PORSCHE	PET	PORSCHE
9pa	06	2	01	201-02		203					



Pos	Part Number	Name	Remarks	Qty	Model
1	955 620 103 01	fuel tank fuel pump venturi tube	/L	1	
2	955 620 103 21	fuel pump	/R	1	
3	955 620 805 00	sender fuel-level indicator	/L	1	
4	955 620 806 00	sender fuel-level indicator	/R -04	1	
(4)	955 620 806 01	sender fuel-level indicator	/R 05-	1	
5	955 620 113 00	venturi tube	/L	1	
6	955 620 112 10	venturi tube	/R	1	
7 U	955 201 877 00	catch fuel pump not available fuel tank use		2	
8 A	955 201 133 00	sealing ring		2	
(8)	955 201 133 01	sealing ring		2	
9	955 620 841 00	flange with filter	/L	1	
10	955 620 841 10	flange with pressure regulator	/R	1	
(10)	955 620 841 30	flange with pressure regulator	/R	1	I7VE/I7VL
11	955 201 623 00	union nut		2	
- - - E N D - - -					

Model	Year	MG	SG	Illustration	Restrictions	Update	18:33	16.08.2006	PORSCHE	PET	PORSCHE
9pa	06	2	01	201-05		203					

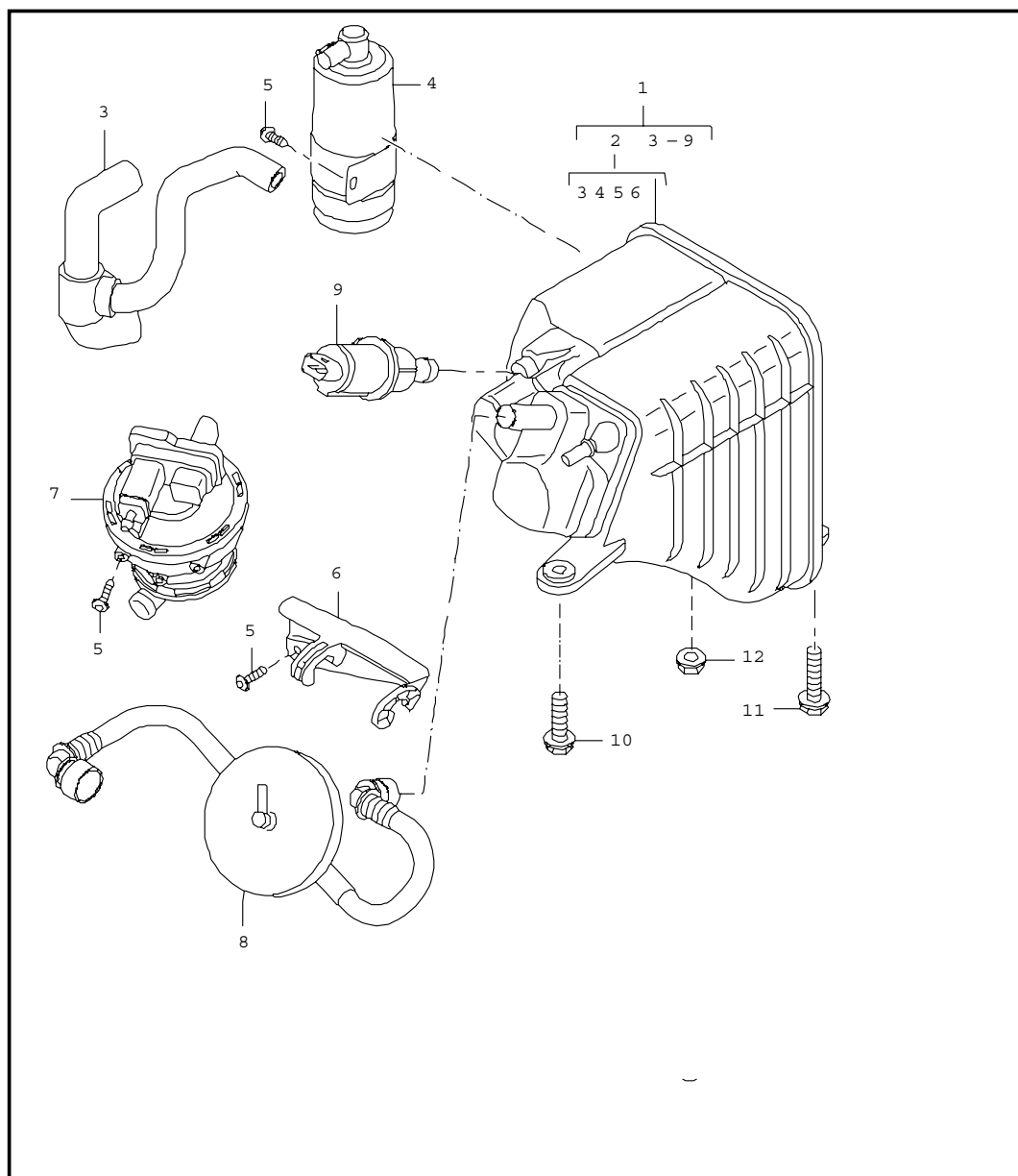


Pos	Part Number	Name	Remarks	Qty	Model
		fuel system fuel line underbody			
1	U 955 201 080 00	fuel line 1 set		1	I2G1/I2G3
(1)	A 955 201 080 04	fuel line 1 set		1	I2G1/I2G3
(1)	955 201 080 05	fuel line 1 set		1	I2G1/I2G3
2	955 201 355 00	fuel line additional heating F >>9P6LA 45757 F >>9P6LA 81912		1	I7VE/I7VL
(2)	955 201 355 01	fuel line additional heating F 9P6LA 45758>> F 9P6LA 81913>>		1	I7VE/I7VL
-	955 572 757 00	hose fuel line additional heating F 9P6LA 45758>> F 9P6LA 81913>>		1	I7VE/I7VL
-	N 102 035 01	hose clamp 11,3 x 5 x 0,5 mount fuel line fuel pump F 9P6LA 45758>> F 9P6LA 81913>>		2	I7VE/I7VL
3	...	fuel line additional heating see group 8/13/50		1	I7VE/I7VL
4	955 201 561 00	holder		1	
5	955 201 401 00	retaining clip		1	
6	955 201 402 00	retaining clip	-04	2	
(6)	955 201 402 01	holder	05-	2	
7	955 201 449 00	retaining clip	-04	3	
(7)	955 201 449 01	holder	05-	3	
8	955 201 531 00	support		1	
9	955 201 532 00	support		1	

Model	Year	MG	SG	Illustration	Restrictions	Update	18:33	16.08.2006	PORSCHE	PET	PORSCHE
9pa	06	2	01	201-05		203					

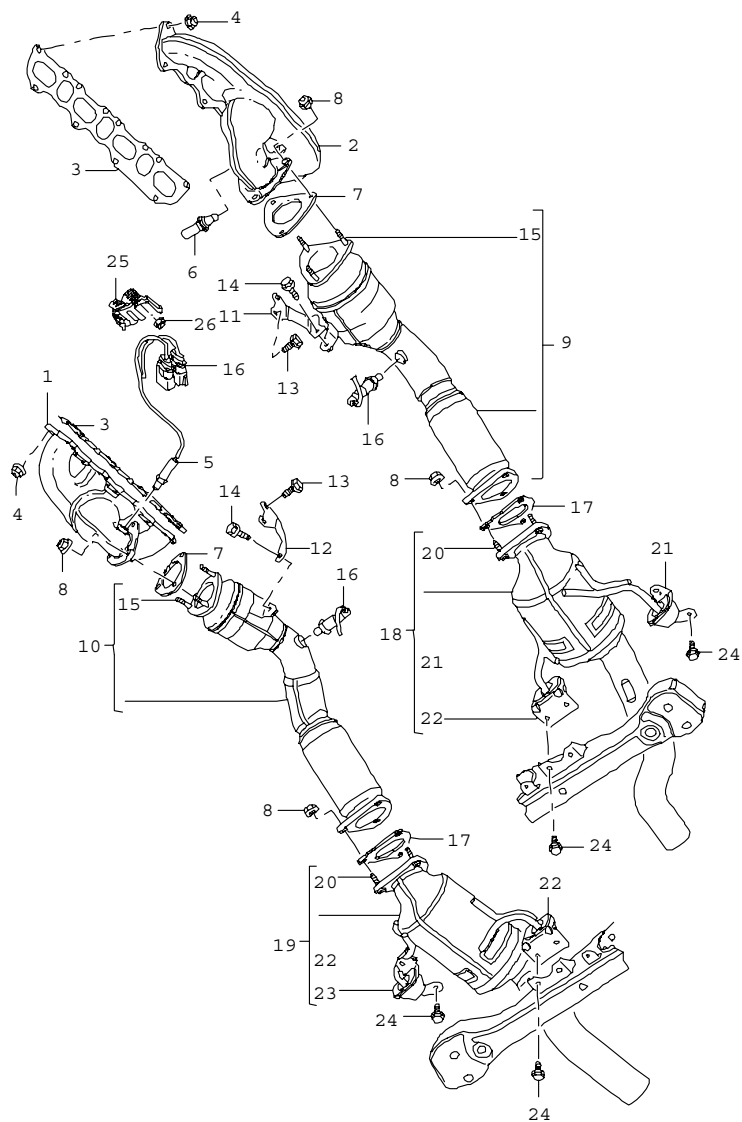
Pos	Part Number	Name	Remarks	Qty	Model	Pos	Part Number	Name	Remarks	Qty	Model
10	955 201 562 00	holder		1							
11	955 201 450 00	clamp		1							
		- - - E N D - - -									

Model	Year	MG	SG	Illustration	Restrictions	Update	18:33	16.08.2006	PORSCHE	PET	PORSCHE
9pa	06	2	01	201-20		203					



Pos	Part Number	Name	Remarks	Qty	Model
1	A 955 201 081 10	carbon canister		1	I2G1/I2G3
		carbon canister ready for installation			
(1)	955 201 081 11	carbon canister ready for installation	-05	1	I2G1/I2G3
(1)	955 201 081 12	carbon canister ready for installation	06-	1	I2G1/I2G3
(2)	955 201 221 00	carbon canister	-05	1	I2G1/I2G3
(2)	955 201 221 01	carbon canister	06-	1	I2G1/I2G3
(3)	955 201 255 10	breather hose	-05	1	I2G1/I2G3
(3)	955 201 255 11	breather hose	06-	1	I2G1/I2G3
(4)	955 201 253 10	air cleaner		1	I2G1/I2G3
5	N 013 968 5	oval-head sheetmetal screw ST 4,8 X 13		4	
6	955 201 265 00	support pressure valve		1	
8	A 955 605 213 00	pressure valve		1	
(8)	955 605 213 01	pressure valve		1	
10	N 101 579 02	hexagon-head bolt M 6 X 25 F >>9P4LA 43968		2	
11	N 105 284 01	hexagon-head bolt M 6 X 30 F >>9P4LA 43968		1	
(11)	N 105 284 01	hexagon-head bolt M 6 X 30 F 9P4LA 43969>>		2	
12	N 904 560 02	hexagon nut M 6 F 9P4LA 43969>>		1	
- - - E N D - - -					

Model	Year	MG	SG	Illustration	Restrictions	Update	18:33	16.08.2006	PORSCHE	PET	PORSCHE
9pa	06	2	02	202-00		203					

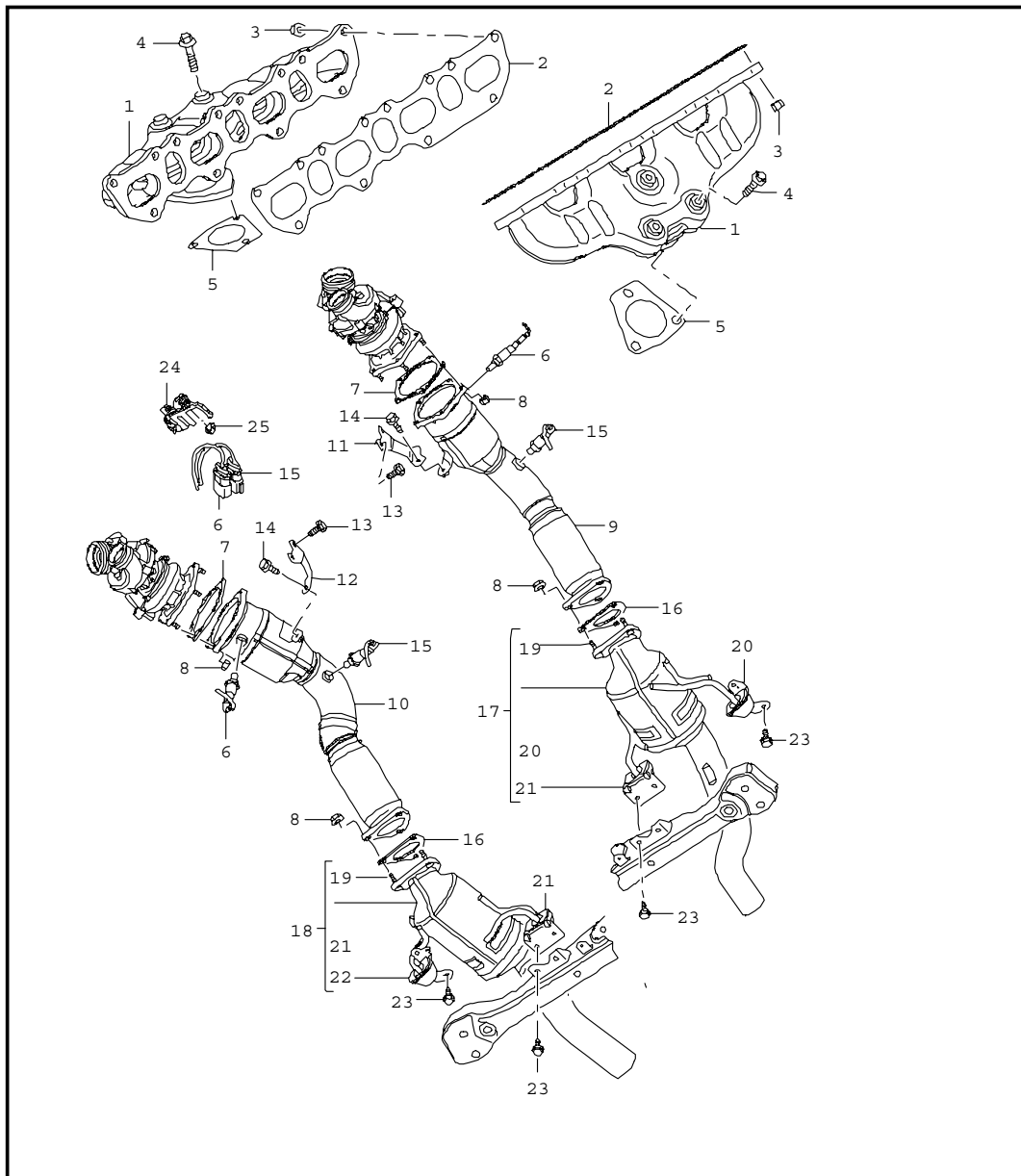


Pos	Part Number	Name	Remarks	Qty	Model
		exhaust system exhaust manifold catalytic converter			IT91
1	948 111 119 02	exhaust manifold cyl. 1 - 4		1	
2	948 111 120 02	exhaust manifold cyl. 5 - 8		1	
3	948 111 171 01	gasket exhaust manifold		2	
4	999 084 642 02	hexagon nut M 8	-05	24	
(4)	999 084 647 05	lock nut M 8	06-	24	
5	948 606 128 02	oxygen sensor in front of catalytic converter	/R	1	
6	948 606 129 02	oxygen sensor in front of catalytic converter	/L	1	
7	955 111 113 00	gasket		2	
8	N 908 946 02	hexagon nut M8		12	
9	955 113 021 00	exhaust pipe front	/L 03	1	
(9)	955 113 021 01	exhaust pipe front	/L 04-	1	
10	955 113 022 00	exhaust pipe front	/R 03	1	
(10)	955 113 022 01	exhaust pipe front	/R 04-	1	
11	955 111 161 10	support	/L	1	
12	955 111 162 00	support	/R	1	
13	N 908 476 01	hexagon-head bolt M 10 X 25		4	
14	N 019 530 4	hexagon-head bolt M 8 X 25		2	
15	N 104 445 01	stud M 8 X 25		6	

Model	Year	MG	SG	Illustration	Restrictions	Update	18:33	16.08.2006	PORSCHE	PET	PORSCHE
9pa	06	2	02	202-00		203					

Pos	Part Number	Name	Remarks	Qty	Model	Pos	Part Number	Name	Remarks	Qty	Model
16	955 606 136 01	oxygen sensor after catalytic converter		2							
17	955 111 113 30	gasket		2							
18	955 113 023 00	catalytic converter	/L -04	1	I0GG						
(18)	955 113 023 01	catalytic converter	/L 05-	1	I0GG						
(18)	955 113 023 20	catalytic converter	/L	1	I0GM/I0GU						
19	955 113 024 00	catalytic converter	/R -04	1	I0GG						
(19)	955 113 024 01	catalytic converter	/R 05-	1	I0GG						
(19)	955 113 024 20	catalytic converter	/R	1	I0GM/I0GU						
20	U 955 111 115 00	screw		6							
21	955 111 227 10	support	/L	1							
22	955 111 227 20	support		2							
23	955 111 228 00	support	/R	1							
24	N 908 797 02	hexagon-head bolt M 8 X 25		8							
25	955 606 114 00	support connector oxygen sensor plenum panel		2							
26	N 100 151 01	plastic nut A 5		2							
		- - - E N D - - -									

Model	Year	MG	SG	Illustration	Restrictions	Update	18:33	16.08.2006	PORSCHE	PET	PORSCHE
9pa	06	2	02	202-05		203					

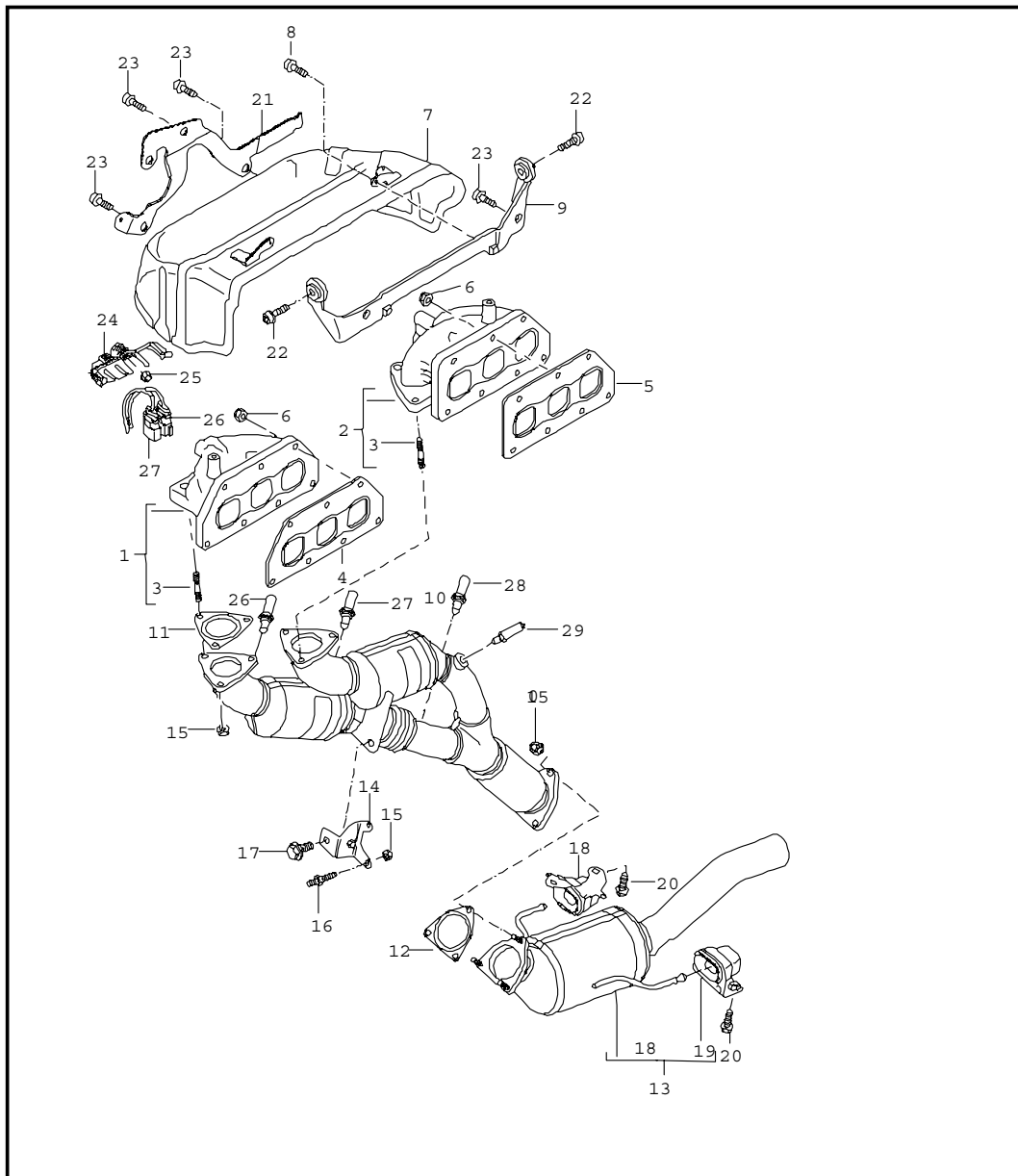


Pos	Part Number	Name	Remarks	Qty	Model
		exhaust system exhaust manifold catalytic converter			IT90
1	948 111 119 53	exhaust manifold		2	
2	948 111 171 01	gasket exhaust manifold		2	
3	999 084 642 02	hexagon nut M 8	-05	24	
(3)	999 084 647 05	lock nut M 8	06-	24	
4	999 073 271 01	torx screw BM 8 X 75		6	
5	948 123 203 52	gasket turbocharger		2	
6	955 606 126 01	oxygen sensor in front of catalytic converter		2	
7	955 111 113 20	gasket		2	
8	N 908 946 02	hexagon nut M 8		16	
9	A 955 113 021 10	exhaust pipe front	/L	1	
(9)	955 113 021 11	exhaust pipe front	/L	1	
10	A 955 113 022 10	exhaust pipe front	/R	1	
(10)	955 113 022 11	exhaust pipe front	/R	1	
11	955 111 161 10	support	/L	1	
12	955 111 162 00	support	/R	1	
13	N 908 476 01	hexagon-head bolt M 10 X 25		4	
14	N 019 530 4	hexagon-head bolt M 8 X 25		2	
15	955 606 136 01	oxygen sensor after catalytic converter		2	
16	955 111 113 10	gasket		2	

Model	Year	MG	SG	Illustration	Restrictions	Update	18:33	16.08.2006	PORSCHE	PET	PORSCHE
9pa	06	2	02	202-05		203					

Pos	Part Number	Name	Remarks	Qty	Model	Pos	Part Number	Name	Remarks	Qty	Model
17	A 955 113 023 10	catalytic converter	/L	1							
(17)	955 113 023 11	catalytic converter	/L	1							
18	A 955 113 024 10	catalytic converter	/R	1							
(18)	955 113 024 11	catalytic converter	/R	1							
19	U 955 111 115 00	screw		6							
20	955 111 227 10	support	/L	1							
21	955 111 227 20	support		2							
22	955 111 228 00	support	/R	1							
23	N 908 797 02	hexagon-head bolt M 8 X 25		8							
24	955 606 114 00	support connector oxygen sensor plenum panel		2							
25	N 100 151 01	plastic nut A 5		2							
- - - E N D - - -											

Model	Year	MG	SG	Illustration	Restrictions	Update	18:34	16.08.2006	PORSCHE	PET	PORSCHE
9pa	06	2	02	202-07		203					

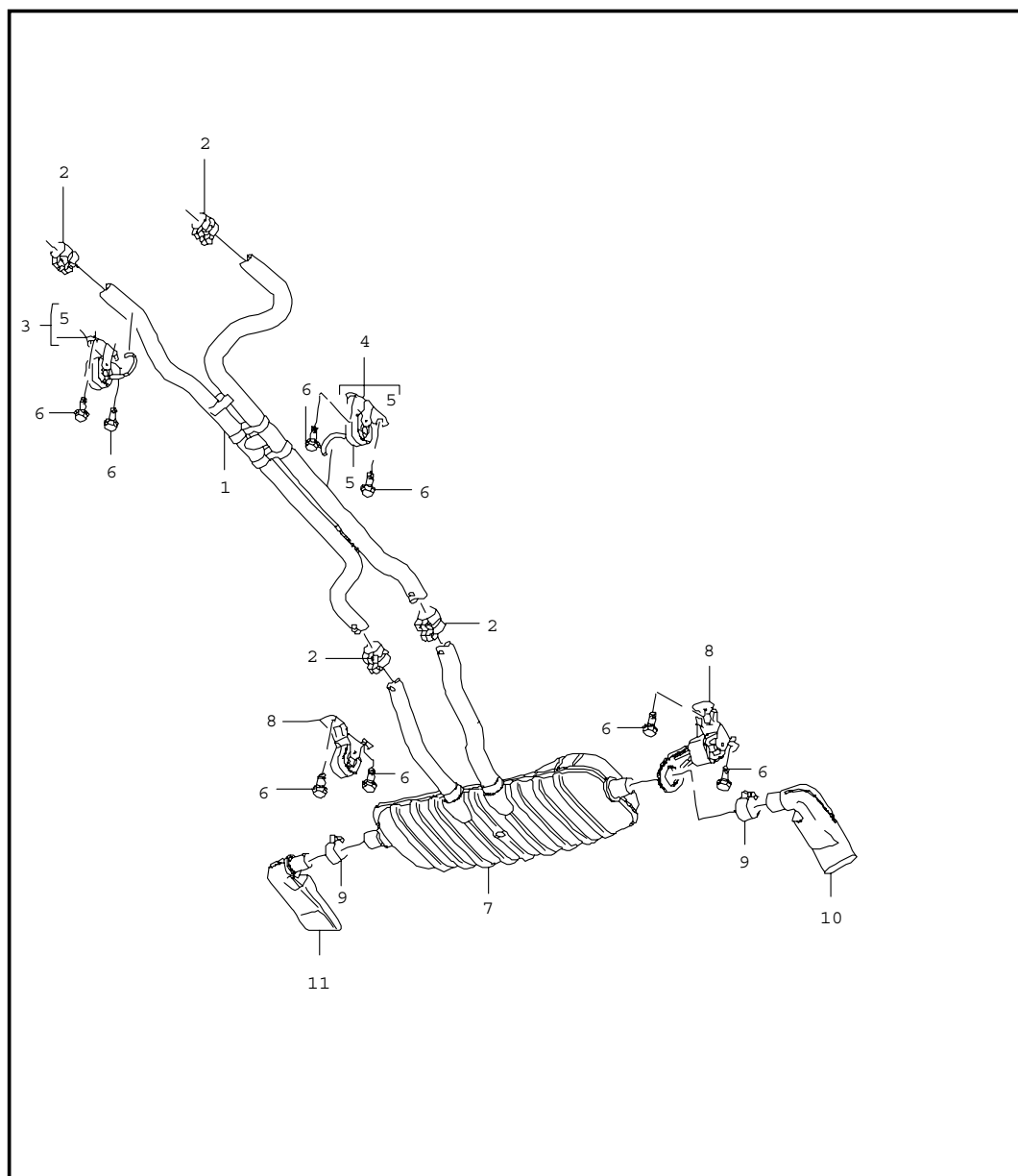


Pos	Part Number	Name	Remarks	Qty	Model
		exhaust system exhaust manifold catalytic converter	04-		IT31
1	955 111 017 00	exhaust manifold cyl. 1 - 3		1	
2	955 111 018 00	exhaust manifold cyl. 4 - 6		1	
3	N 044 514 4	stud M 8 X 25		6	
4	955 111 039 00	gasket cyl. 1 - 3		1	
5	955 111 050 00	gasket cyl. 4 - 6		1	
6	N 908 946 01	hexagon nut M 8		14	
7	955 111 035 00	cover plate		1	
8	N 101 148 02	pan-head screw M 6 X 15		2	
9	955 110 228 00	support		1	
10	955 113 300 00	catalytic converter front		1	
11	955 111 125 10	gasket		2	
12	955 111 113 10	gasket		1	
13	955 113 400 00	catalytic converter	04	1	
(13)	955 113 024 11	catalytic converter	05-	1	
14	955 111 047 00	bracket		1	
15	U N 902 002 01	hexagon nut AM 8		11	
(15)	N 908 946 02	hexagon nut M 8		11	
16	...	stud see illustrations 3/20/05		2	
17	U N 010 238 20	hexagon-head bolt M 8 X 15		1	
(17)	N 019 530 4	hexagon-head bolt M 8 X 25		1	

Model	Year	MG	SG	Illustration	Restrictions	Update	18:34	16.08.2006	PORSCHE	PET	PORSCHE
9pa	06	2	02	202-07		203					

Pos	Part Number	Name	Remarks	Qty	Model	Pos	Part Number	Name	Remarks	Qty	Model
18	955 111 228 00	support		1							
19	955 111 227 20	support		1							
20	N 908 797 02	hexagon-head bolt M 8 X 25		4							
21	955 111 049 00	support		1							
--	955 606 739 00	clip line oxygen sensor		1							
22	N 090 378 2	screw M 8 X 25		2							
23	N 103 036 04	pan-head screw M 8 X 16	04	5							
(23)	N 103 036 05	pan-head screw M 8 X 16	05-	5							
24	955 606 114 10	support connector oxygen sensor		1							
25	N 100 151 01	plastic nut A 5		1							
26	955 606 128 10	oxygen sensor in front of catalytic converter cyl. 1 - 3	/R	1							
27	955 606 128 20	oxygen sensor in front of catalytic converter cyl. 4 - 6	/L	1							
28	955 606 136 10	oxygen sensor after catalytic converter cyl. 1 - 3	/R	1							
29	955 606 136 20	oxygen sensor after catalytic converter cyl. 4 - 6	/L	1							
		- - - E N D - - -									

Model	Year	MG	SG	Illustration	Restrictions	Update	18:34	16.08.2006	PORSCHE	PET	PORSCHE
9pa	06	2	02	202-10		203					

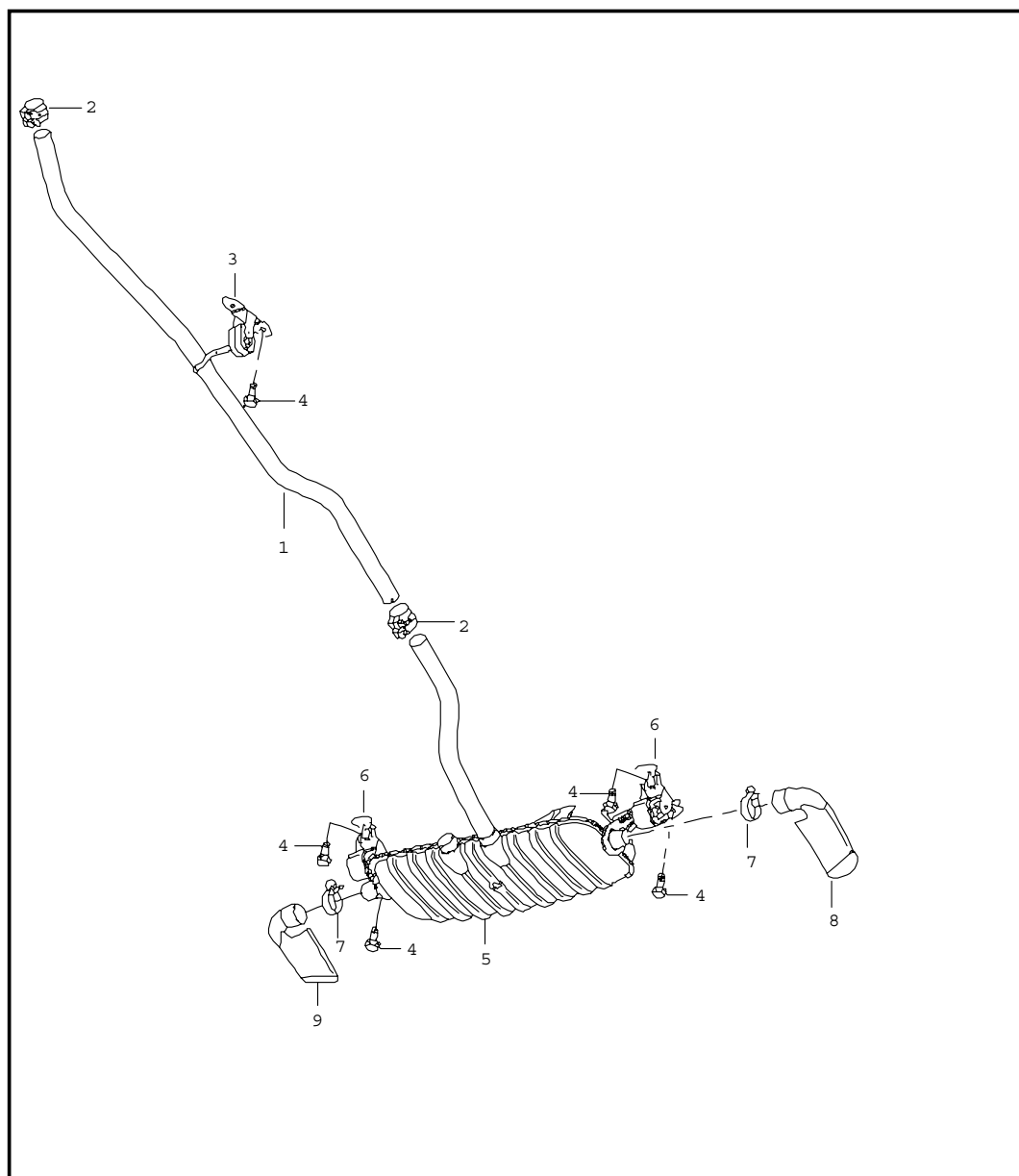


Pos	Part Number	Name	Remarks	Qty	Model
		exhaust system front muffler rear muffler tail pipe			IT90/IT91
1	955 111 096 10	front muffler	-04	1	IT91
(1)	955 111 096 11	front muffler	05-	1	IT91
(1)	955 111 096 20	front muffler	-04	1	IT90
(1)	955 111 096 21	front muffler	05-	1	IT90
2	955 111 220 10	clamping sleeve	-05	4	IT91
(2)	955 111 220 12	clamping sleeve	06-	4	IT91
(2)	A 955 111 220 00	clamping sleeve		4	IT90
(2)	955 111 220 20	clamping sleeve	-05	4	IT90
(2)	955 111 220 21	clamping sleeve	06-	4	IT90
3	955 111 227 30	support with rubber		1	
4	955 111 227 40	support with rubber		1	
5	U 955 111 259 00	rubber mounting for bracket		2	
6	N 908 797 02	hexagon-head bolt M 8 X 25		8	
7	955 111 121 10	rear muffler	-04	1	IT91
(7)	955 111 121 11	rear muffler	05-	1	IT91
(7)	955 111 121 20	rear muffler	-04	1	IT90
(7)	955 111 121 21	rear muffler	05-	1	IT90

Model	Year	MG	SG	Illustration	Restrictions	Update	18:34	16.08.2006	PORSCHE	PET	PORSCHE
9pa	06	2	02	202-10		203					

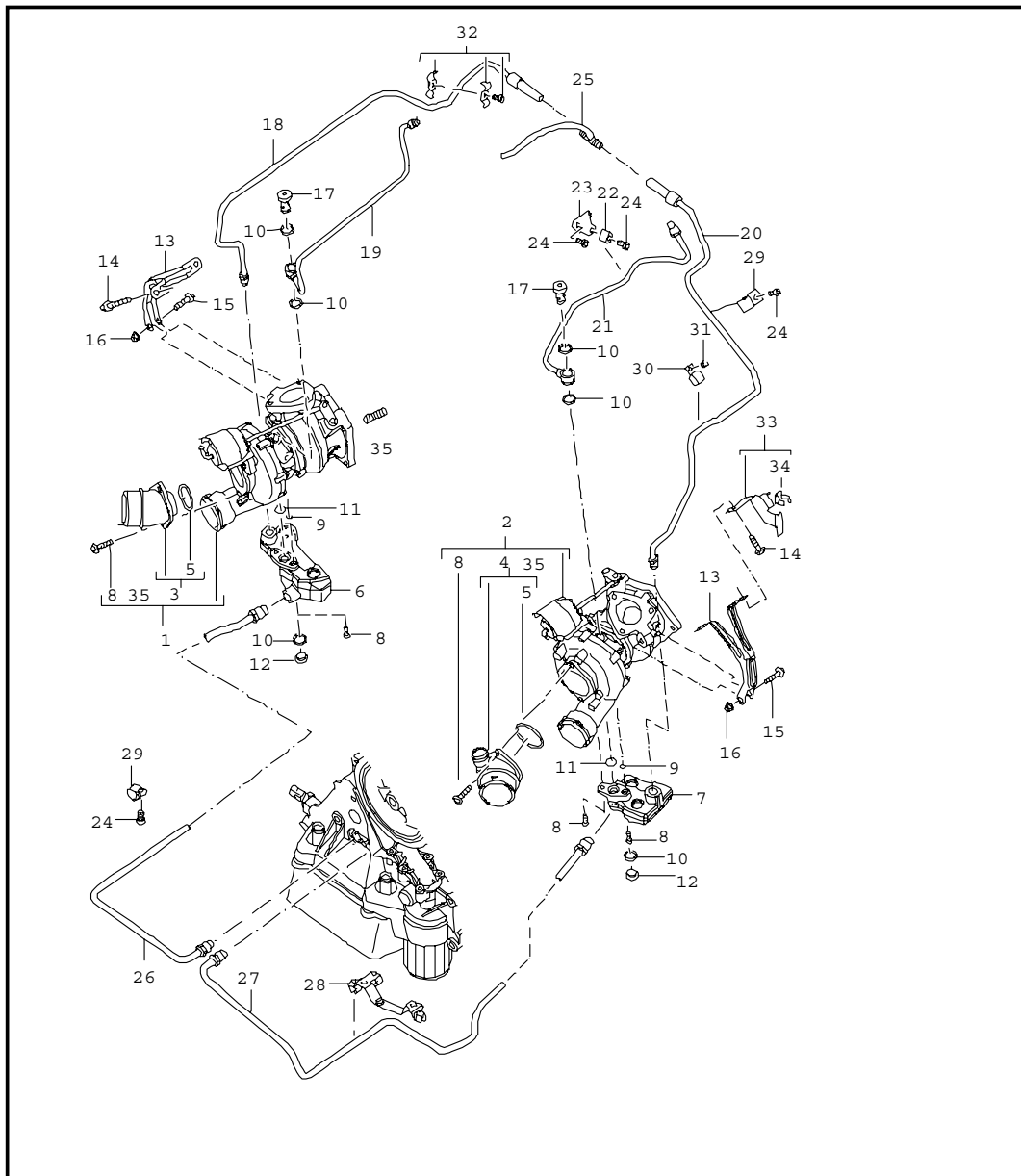
Pos	Part Number	Name	Remarks	Qty	Model	Pos	Part Number	Name	Remarks	Qty	Model
8	955 111 227 50	support with rubber		2							
9	955 111 108 22	clip		2							
10	A 955 111 251 10	tail pipe	/L	1	IT91/I0P0						
(10)	955 111 251 11	tail pipe	/L	1	IT91/I0P0						
(10)	955 111 981 00	tail pipe	/L 04-	1	IT91/0P3/G0R						
(10)	955 111 981 10	tail pipe	/L 05-	1	IT91/0P3/G0L						
(10)	A 955 111 251 20	tail pipe	/L	1	IT90/I0P0						
(10)	955 111 251 21	tail pipe	/L	1	IT90/I0P0						
(10)	955 111 981 00	tail pipe	/L 04-	1	IT90/I0P3						
11	955 111 252 10	tail pipe	/R -05	1	IT91/I0P0						
(11)	955 111 252 11	tail pipe	/R 06-	1	IT91/I0P0						
(11)	955 111 982 00	tail pipe	/R 04-	1	IT91/0P3/G0R						
(11)	955 111 982 10	tail pipe	/R 05-	1	IT91/0P3/G0L						
(11)	A 955 111 252 20	tail pipe	/R	1	IT90/I0P0						
(11)	955 111 252 21	tail pipe	/R	1	IT90/I0P0						
(11)	955 111 982 00	tail pipe	/R 04-	1	IT90/I0P3						
		- - - E N D - - -									

Model	Year	MG	SG	Illustration	Restrictions	Update	18:34	16.08.2006	PORSCHE	PET	PORSCHE
9pa	06	2	02	202-12		203					



Pos	Part Number	Name	Remarks	Qty	Model
		exhaust system front muffler rear muffler tail pipe	04-		ID9J
1	955 111 096 00	front muffler	04	1	
(1)	955 111 096 01	front muffler	05-	1	
2	955 111 220 20	clamping sleeve	-05	2	
(2)	955 111 220 21	clamping sleeve	06-	2	
3	955 111 227 40	support with rubber		1	
4	N 908 797 02	hexagon-head bolt M 8 X 25		6	
5	955 111 121 30	rear muffler	04	1	
(5)	955 111 121 31	rear muffler	05-	1	
6	955 111 227 50	support with rubber		2	
7	955 111 108 22	clip		2	
8	A 955 111 251 10	tail pipe	/L	1	I0P0
(8)	955 111 251 11	tail pipe	/L	1	I0P0
(8)	955 111 981 10	tail pipe	/L 05-	1	I0P3
9	955 111 252 10	tail pipe	/R -05	1	I0P0
(9)	955 111 252 11	tail pipe	/R 06-	1	I0P0
(9)	955 111 982 10	tail pipe	/R 05-	1	I0P3
- - - E N D - - -					

Model	Year	MG	SG	Illustration	Restrictions	Update	18:34	16.08.2006	PORSCHE	PET	PORSCHE
9pa	06	2	02	202-15		203					

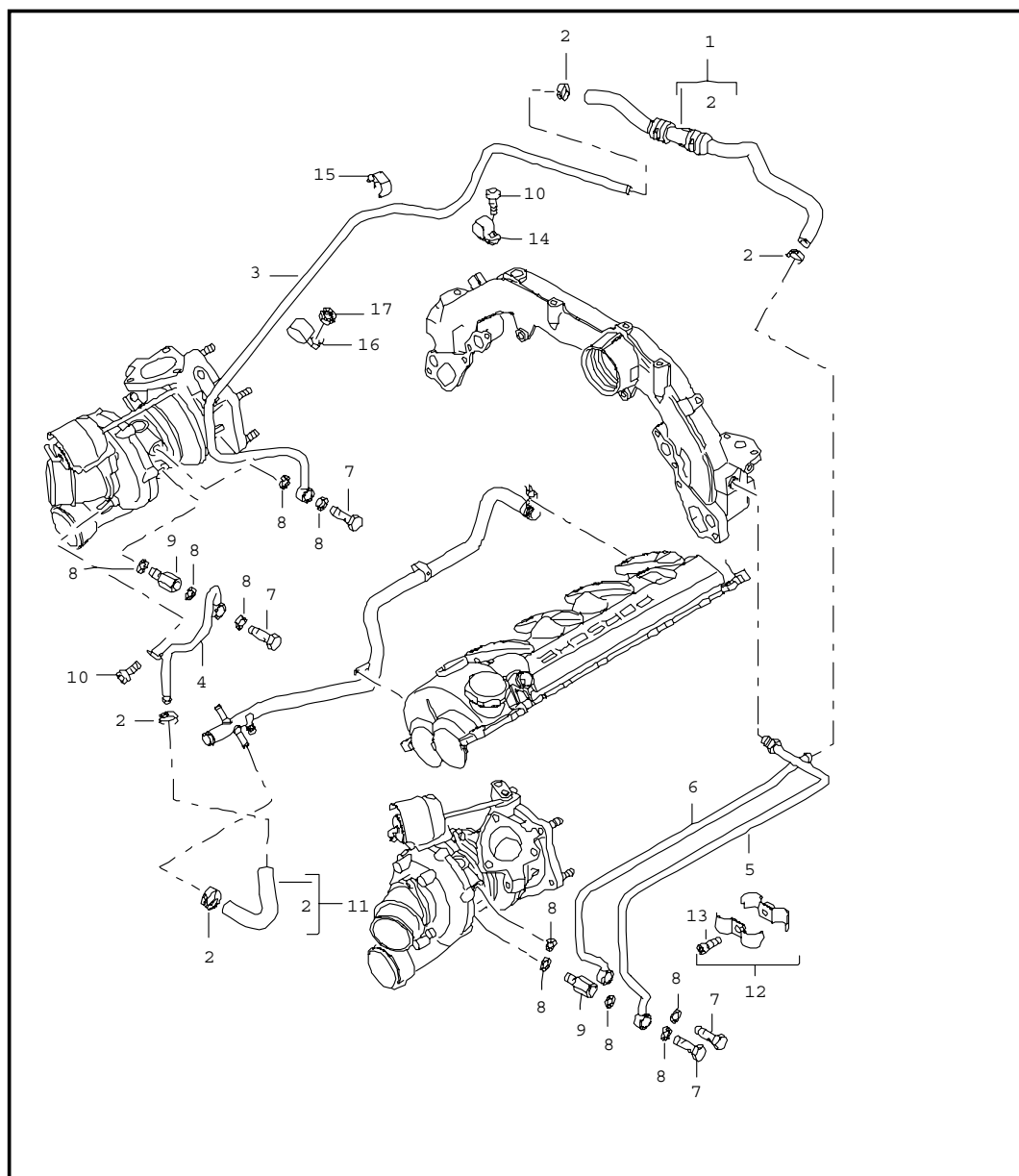


Pos	Part Number	Name	Remarks	Qty	Model
		turbocharger oil pipe for turbocharger			M48.50
1	948 123 015 56	turbocharger cyl. 1 - 4		1	
2	948 123 016 56	turbocharger cyl. 5 - 8		1	
3	948 123 315 50	connection piece cyl. 1 - 4		1	
4	948 123 316 50	connection piece cyl. 5 - 8		1	
5	999 707 544 40	o-ring 55,0 X 2,0		2	
6	948 107 320 54	oil collection container cyl. 1 - 4		1	
7	948 107 321 54	oil collection container cyl. 5 - 8		1	
8	999 073 103 09	oval-head screw M 6 X 16		8	
9	999 707 392 40	o-ring 7,0 X 2,0		2	
10	900 123 131 30	sealing ring A 16 X 20		6	
11	999 707 387 40	o-ring 15 X 2,5		2	
12	900 219 004 30	screw plug M 16 X 1,5		2	
13	948 123 111 51	bracket turbocharger		2	
14	900 385 001 09	torx screw BM 8 X 20		4	
15	900 385 035 09	torx screw BM 8 X 40		2	
16	999 084 642 02	hexagon nut M 8	-05	2	
(16)	999 084 647 05	lock nut M 8	06-	2	
17	948 107 011 51	check valve		2	

Model	Year	MG	SG	Illustration	Restrictions	Update	18:34	16.08.2006	PORSCHE	PET	PORSCHE
9pa	06	2	02	202-15		203					

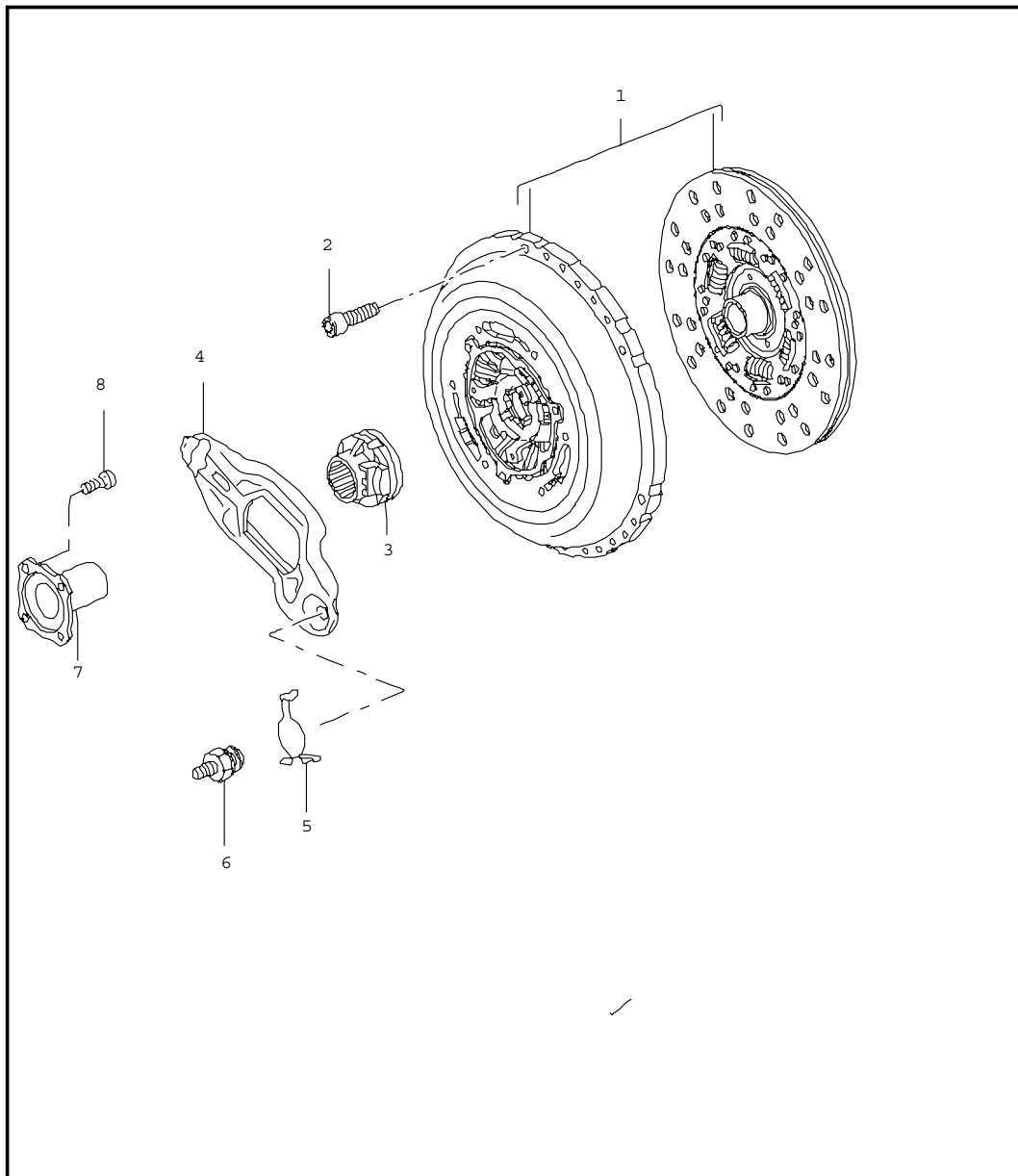
Pos	Part Number	Name	Remarks	Qty	Model	Pos	Part Number	Name	Remarks	Qty	Model
18	948 107 080 53	vent line cyl. 1 - 4		1		34	999 651 392 07	cable clamp 9,5 - 10,5		2	
19	948 107 076 54	pressure line cyl. 1 - 4		1		35	948 123 204 50	stud		10	
20	948 107 081 53	vent line cyl. 5 - 8		1				- - - E N D - - -			
21	948 107 077 53	pressure line cyl. 5 - 8		1							
22	999 511 741 00	clamp 8 X 15		1							
23	948 107 209 50	support		1							
24	999 073 189 09	torx screw M 6 X 12		4							
25	---	see group 1/03/01		1							
26	948 107 078 53	oil pipe cyl. 1 - 4		1							
27	948 107 079 54	oil pipe cyl. 5 - 8 M >> 826 03745		1							
(27)	948 107 079 55	oil pipe cyl. 5 - 8 M 826 03746 >>		1							
28	948 347 137 02	support		1							
29	999 511 116 02	clamp 10 X 15		2							
30	999 511 253 00	clamp 10 - 10 X 15		1							
31	900 377 010 09	hexagon nut M 6		1							
32	948 106 018 50	clamp		1							
--	900 067 008 02	pan-head screw M 6 X 12		1							
33	948 606 115 01	support line oxygen sensor	/L	1							
(33)	948 606 116 02	support line oxygen sensor	/R	1							

Model	Year	MG	SG	Illustration	Restrictions	Update	18:35	16.08.2006	PORSCHE	PET	PORSCHE
9pa	06	2	02	202-20		203					



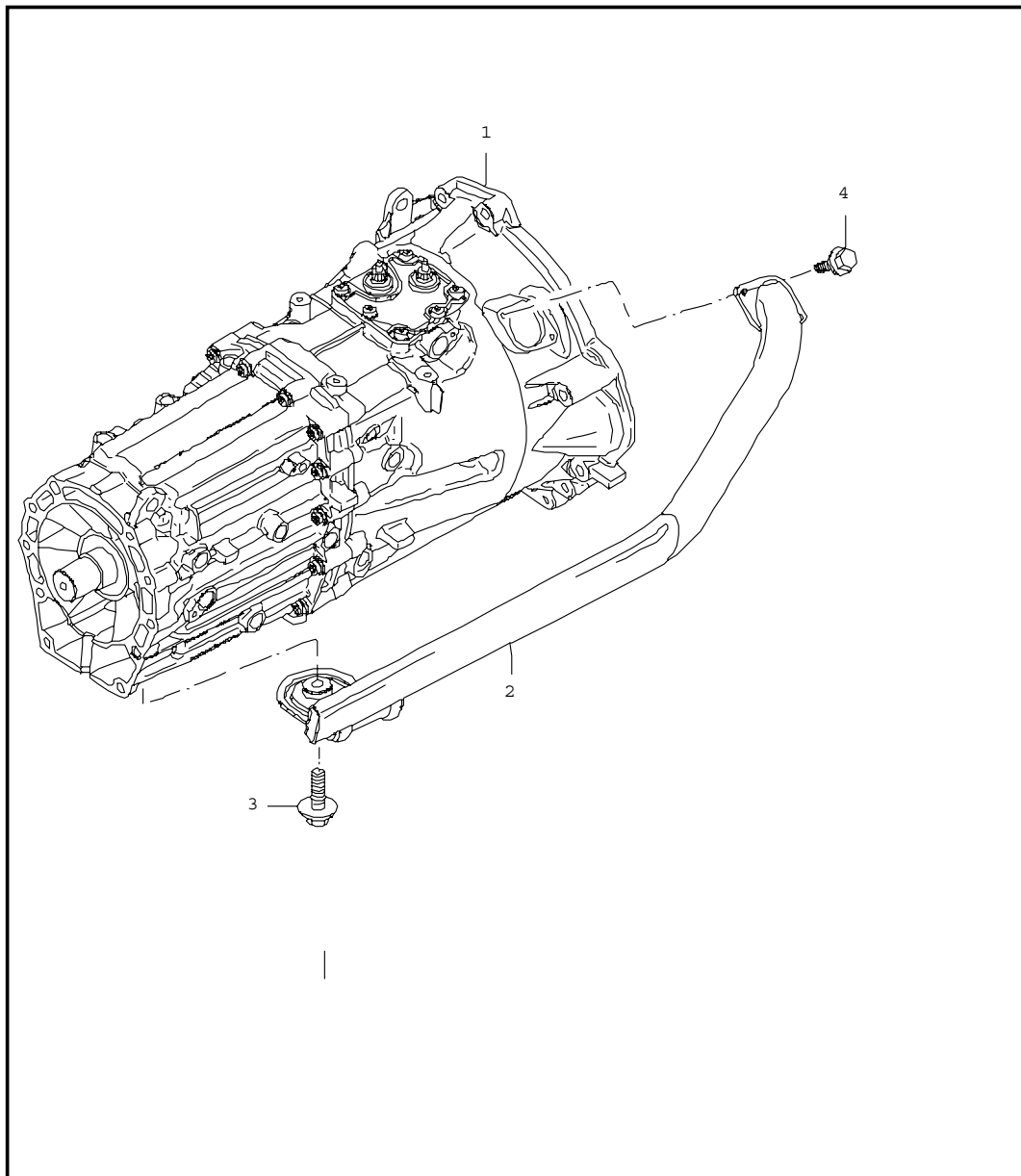
Pos	Part Number	Name	Remarks	Qty	Model
		turbocharger water cooled			M48.50
1	948 106 035 51	water hose		1	
2	999 512 686 09	clip 17 X 12		4	
3	948 106 225 53	cooling water tube return cyl. 1 - 4		1	
4	948 106 017 51	cooling water tube supply cyl. 1 - 4		1	
5	948 106 227 53	cooling water tube supply cyl. 5 - 8		1	
6	948 106 229 54	cooling water tube return cyl. 5 - 8		1	
7	999 134 047 02	banjo bolt 8		4	
8	900 123 005 30	sealing ring A 12 X 16		10	
9	999 136 051 02	connection piece		2	
10	999 073 189 09	torx screw M 6 X 12		2	
11	948 106 373 52	water hose		1	
12	948 106 018 50	clamp		1	
13	900 067 008 02	pan-head screw M 6 X 12		1	
14	999 511 116 02	clamp 10 X 15		1	
15	999 507 487 40	cable holder 10,0 / 10,0		1	
16	999 511 253 00	clamp 10 - 10 X 15		1	
17	900 377 010 09	hexagon nut M 6		1	
- - - E N D - - -					

Model	Year	MG	SG	Illustration	Restrictions	Update	18:35	16.08.2006	PORSCHE	PET	PORSCHE
9pa	06	3	01	301-00		203					



Pos	Part Number	Name	Remarks	Qty	Model
		clutch	04- 04-		M48.00 M02.2Y
1	955 116 015 00	repair kit comprising: drive plate pressure plate		1	M48.00
(1)	955 116 915 00	repair kit comprising: drive plate pressure plate		1	M02.2Y
2	N 903 086 05	pan-head screw m 8 X 14		6	
3	955 116 080 00	clutch release bearing		1	
4	955 116 719 00	clutch release lever		1	
5	012 141 741	retaining spring		1	
6	012 141 777 D	ball pin		1	
7	955 301 181 00	guide tube		1	
8	N 910 905 01	torx screw M 6 X 12		4	
- - - E N D - - -					

Model	Year	MG	SG	Illustration	Restrictions	Update	18:35	16.08.2006	PORSCHE	PET	PORSCHE
9pa	06	3	02	302-00		203					

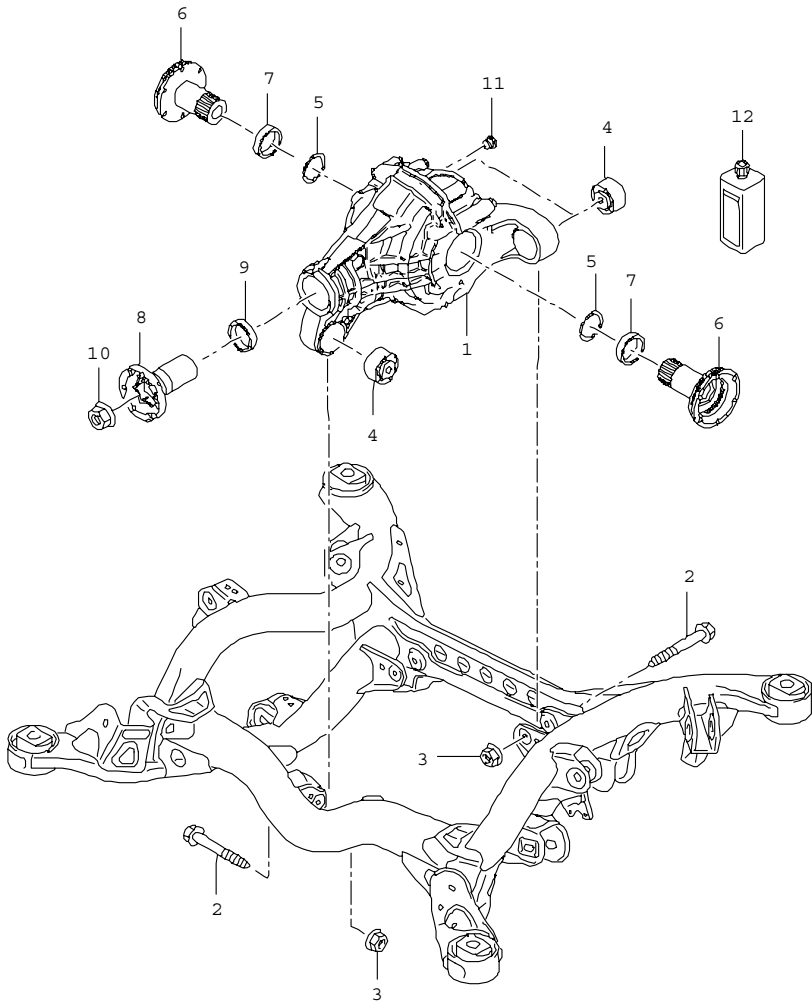


Pos	Part Number	Name	Remarks	Qty	Model
		replacement transmission ready for installation	04- 04-		G48.00 G48.20
1	> 955 300 010 21	replacement transmission without limited-slip differential		1	G48.00
(1)	> 955 300 010 20	replacement transmission without limited-slip differential		1	G48.20
2	955 116 047 00	air duct		1	IT91
3	N 105 653 01	screw		1	IT91
4	N 100 515 02	screw		2	IT91
-	000 043 300 38	transmission oil container 1 LITER		X	
- - - E N D - - -					

Model	Year	MG	SG	Illustration	Restrictions	Update	18:35	16.08.2006
9pa	06	3	02	302-05		203		

Pos	Part Number	Name	Remarks	Qty	Model
		replacement transmission single parts	04- 04-		G48.00 G48.20
-	955 301 109 00	radial shaft seal 39,9 X 70 X 9 for drive shaft		1	
-	WHT 000 514	screw plug M 18 X 1,5 for oil inlet		1	
-	955 301 125 00	protection cap		1	
-	WHT 000 514	screw plug M 18 X 1,5		1	
-	955 301 189 00	radial shaft seal 41 X 72 X 9 for output shaft		1	
-	955 606 420 00	back-up light switch		1	
-	N 901 678 04	hexagon-head bolt M 7 X 19		1	
-	955 606 827 00	switch neutral		1	
-	N 901 678 04	hexagon-head bolt M 7 X 19		1	
-	955 301 358 00	bolt for shift rod		1	
		- - - E N D - - -			

Model	Year	MG	SG	Illustration	Restrictions	Update	18:36	16.08.2006	PORSCHE	PET	PORSCHE
9pa	06	3	05	305-00		203					

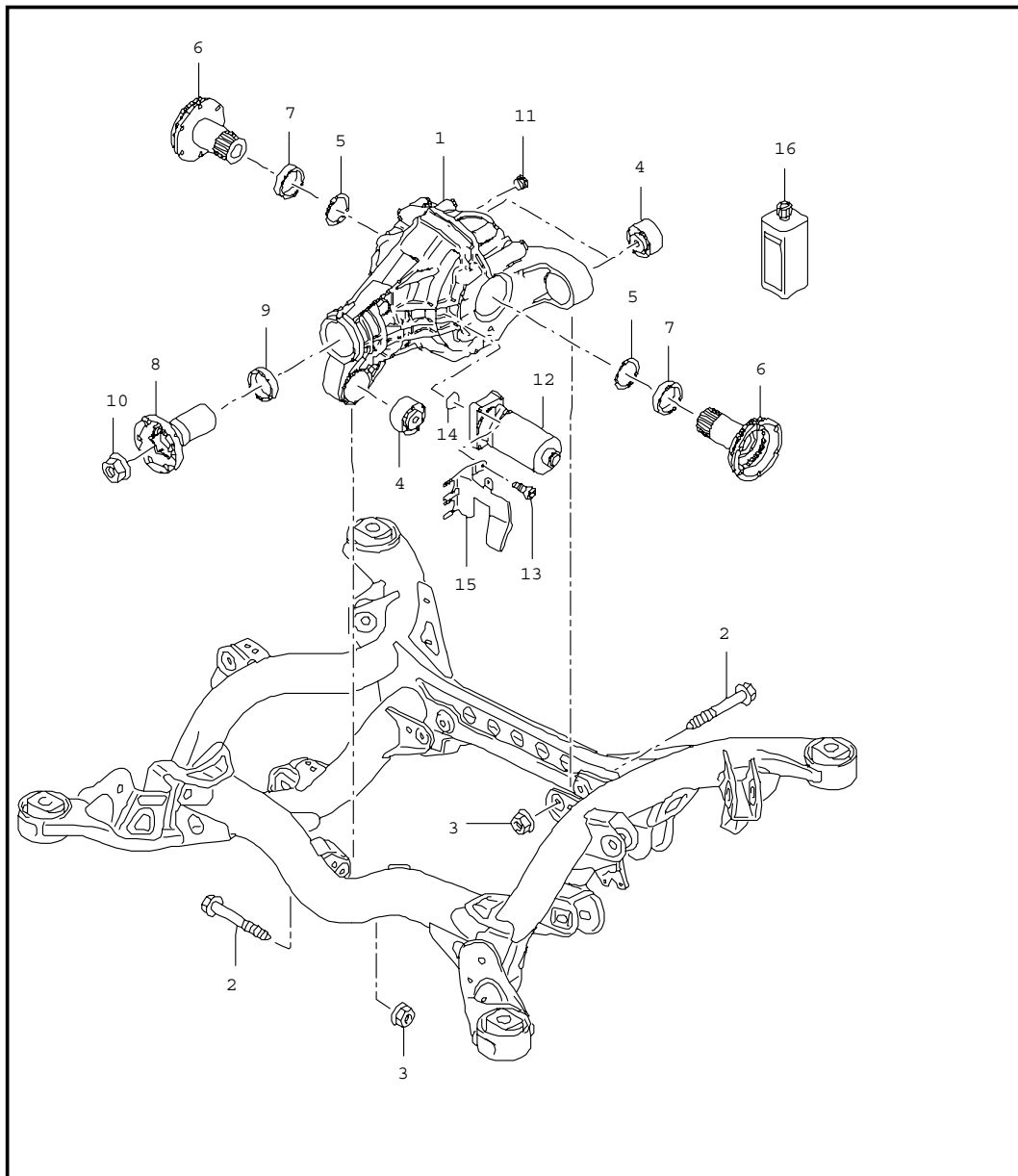


Pos	Part Number	Name	Remarks	Qty	Model
		rear axle differential ready for installation	04-		H48.00/50 H48.20
1 A	955 332 010 00	rear axle differential ready for installation I = 4,1	IGOR	1	H48.00
1 >	955 332 010 01	rear axle differential ready for installation I = 4,1 F >>9P5LA 50525 F >>9P5LA 80000	IGOR	1	H48.00
1	955 332 010 02	rear axle differential ready for installation i = 4,1 F 9P5LA 50526>> F 9P6LA 60061>>	IGOR	1	H48.00
1 >	955 332 010 20	rear axle differential ready for installation I = 4,56	IGOR 04-	1	H48.20
1 >	955 332 010 30	rear axle differential ready for installation I = 4,1	IGOL 04-	1	H48.21
1 >	955 332 010 50	rear axle differential ready for installation I = 3,7	IGOR IGOL	1	H48.50 H48.00
2	N 102 112 01	hexagon-head bolt AM 12 X 1,5 X 90		3	
3	N 104 029 01	hexagon nut M 12 X 1,5		3	
4	955 332 337 00	rubber mounting		3	
5	955 332 125 00	circlip		2	
6	955 332 283 00	output flange long		2	
(6)	955 332 284 00	output flange short		2	
7	955 332 596 00	shaft seal 50 x 82 x 9		1	
7A	955 332 596 10	shaft seal 50 x 72 x 9		1	
8	955 332 127 00	drive flange		1	

Model	Year	MG	SG	Illustration	Restrictions	Update	18:36	16.08.2006	PORSCHE	PET	PORSCHE
9pa	06	3	05	305-00		203					

Pos	Part Number	Name	Remarks	Qty	Model	Pos	Part Number	Name	Remarks	Qty	Model
9	955 332 596 20	shaft seal 55 x 80 x 8		1							
10	955 332 427 00	collar nut		1							
11	955 332 057 00	screw plug		1							
12	000 043 205 30	transmission oil 75 W 90 container 1 LITER		X							
		- - - E N D - - -									

Model	Year	MG	SG	Illustration	Restrictions	Update	18:36	16.08.2006	PORSCHE	PET	PORSCHE
9pa	06	3	05	305-05		203					

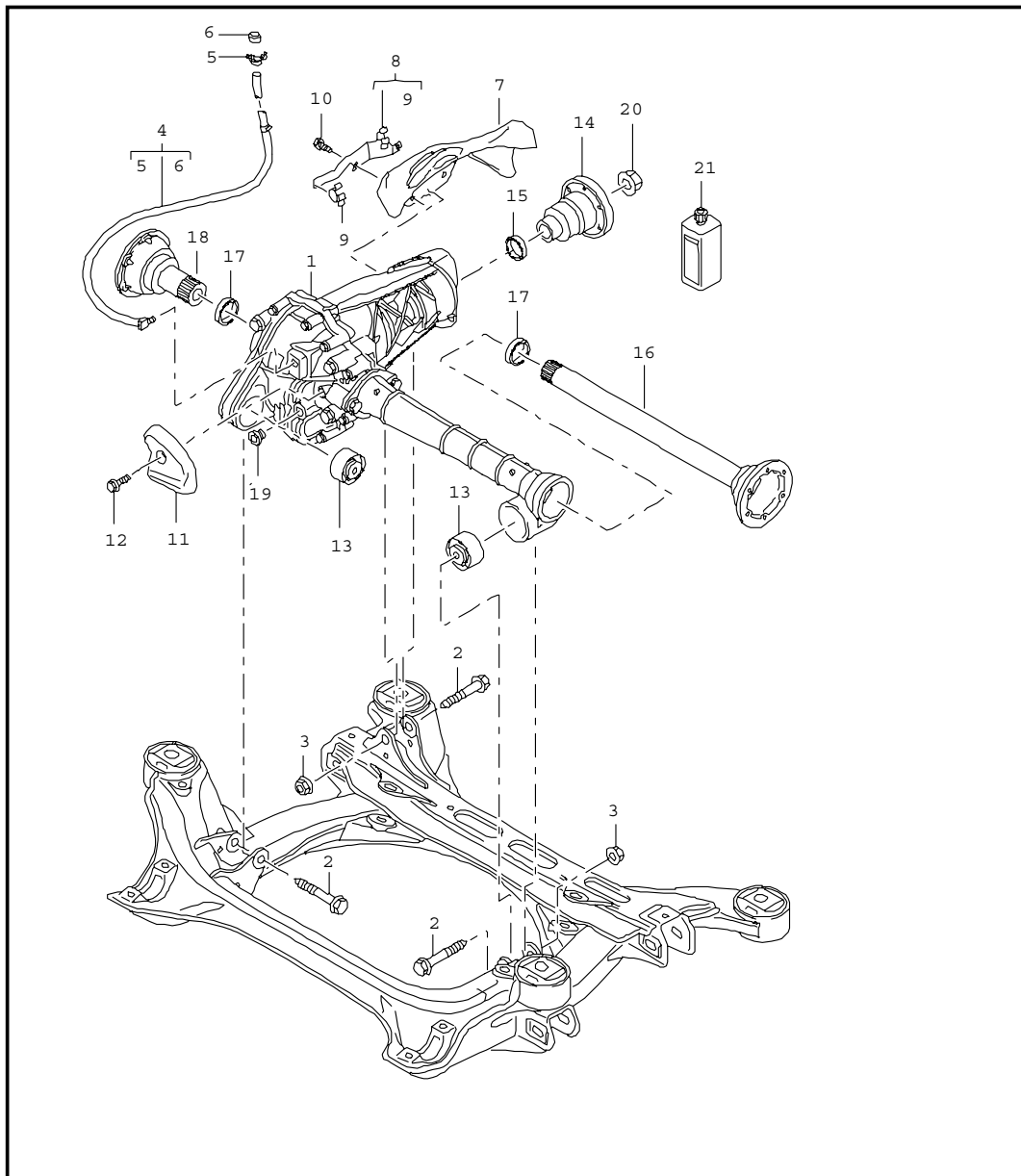


Pos	Part Number	Name	Remarks	Qty	Model
		rear axle differential	04-		H48.00/50 H48.20 I1Y1
1	> 955 332 020 50	rear axle differential ready for installation with limited-slip differential electric	IGOL IGOR	1	H48.00 H48.50
1	U 955 332 020 00	rear axle differential ready for installation limited-slip differential electric I = 3,7	IGOR	1	H48.00
1	> 955 332 020 01	rear axle differential ready for installation limited-slip differential electric I = 4,1	IGOR	1	H48.00
1	> 955 332 020 20	rear axle differential ready for installation with limited-slip differential electric I = 4,1	IGOL 04-	1	H48.20
1	> 955 332 020 30	rear axle differential ready for installation with limited-slip differential electric I = 4,56	IGOR 04-	1	H48.20
2	N 102 112 01	hexagon-head bolt M 12 X 1,5 X 90		3	
3	N 104 029 01	hexagon nut M 12 X 1,5		3	
4	955 332 337 00	rubber mounting		3	
5	955 332 125 00	circlip		2	
6	955 332 283 00	output flange long		2	
(6)	955 332 284 00	output flange short		2	

Model	Year	MG	SG	Illustration	Restrictions	Update	18:36	16.08.2006	PORSCHE	PET	PORSCHE
9pa	06	3	05	305-05		203					

Pos	Part Number	Name	Remarks	Qty	Model	Pos	Part Number	Name	Remarks	Qty	Model
7	955 332 596 00	shaft seal 50 x 82 x 9		1							
7A	955 332 596 30	shaft seal 80 x 100 x 10		1							
8	955 332 127 00	drive flange		1							
9	955 332 596 20	shaft seal		1							
10	955 332 427 00	collar nut		1							
11	955 332 057 00	screw plug		1							
12	955 624 904 00	electric motor for limited-slip differential		1							
13	955 332 147 00	pan-head screw M 6 X 30		2							
14	955 332 649 00	o-ring 25 X 2		1							
15	955 332 037 00	retaining bracket		1							
16	000 043 300 37	transmission oil 75 W 90 container 1 LITER		X							
--	955 332 169 00	damper		1							
		- - - E N D - - -									

Model	Year	MG	SG	Illustration	Restrictions	Update	18:36	16.08.2006	PORSCHE	PET	PORSCHE
9pa	06	3	05	305-10		203					

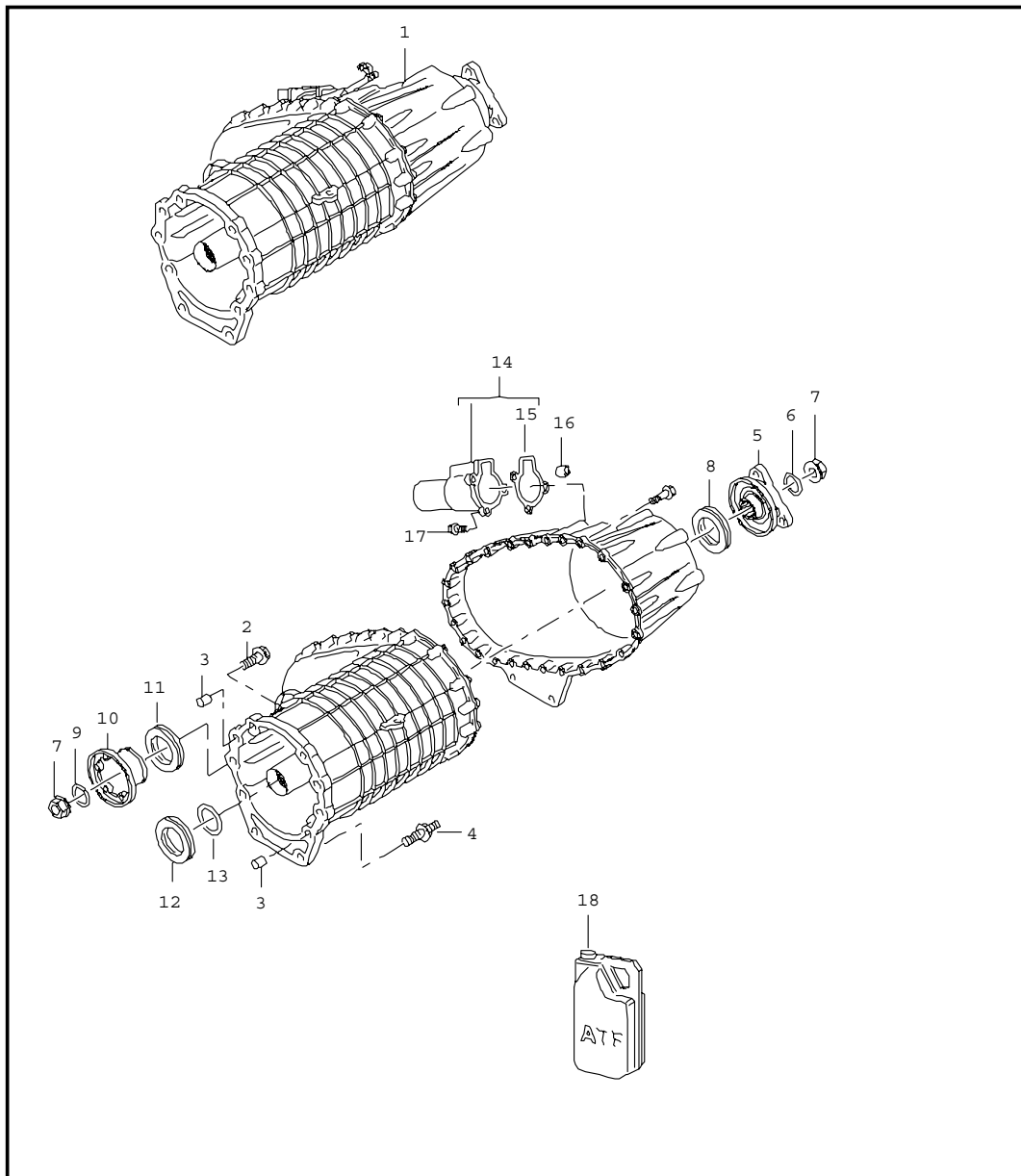


Pos	Part Number	Name	Remarks	Qty	Model
		front-axle final drive ready for installation	04-		V48.00/50 V48.20
1 >	955 349 010 00	front-axle final drive ready for installation I = 4,1		1	V48.00/IGOR V48.20/IGOL
1 >	955 349 010 50	front-axle final drive ready for installation I = 3,7		1	V48.50/IGOR V48.00/IGOL
1 >	955 349 010 20	front-axle final drive ready for installation I = 4,56	04-	1	V48.20/IGOR
2	N 102 112 01	hexagon-head bolt M 12 X 1,5 X 90		3	
3	N 104 029 01	hexagon nut M 12 X 1,5		2	
4	955 349 047 00	vent line		1	
5	N 103 283 01	support		1	
6	014 301 485	cap		1	
7	955 349 445 00	cover plate		1	
8	955 349 447 00	support		1	
9	955 349 543 00	fixing clip		2	
10	N 910 335 01	screw M 6 X 22		3	
11	955 349 346 00	cover plate		1	
12	N 014 701 9	pan-head screw M 6 X 12		1	
13	955 349 337 00	rubber mounting		3	
14	955 349 127 00	drive flange		1	
15	955 349 189 00	shaft seal drive flange		1	
16	955 349 271 00	output flange long small		1	
(16) U	955 349 271 10	output flange long large		1	

Model	Year	MG	SG	Illustration	Restrictions	Update	18:36	16.08.2006	PORSCHE	PET	PORSCHE
9pa	06	3	05	305-10		203					

Pos	Part Number	Name	Remarks	Qty	Model	Pos	Part Number	Name	Remarks	Qty	Model
17	955 349 189 10	shaft seal output flange		2							
18	955 349 272 00	output flange short small		1							
(18) U	955 349 272 10	output flange short large		1							
19	955 332 057 00	screw plug		2							
20	955 332 427 00	collar nut		1							
21	000 043 205 30	transmission oil 75 W 90 1 LITER container		X							
--	955 349 413 00	snap ring		2							
		- - - E N D - - -									

Model	Year	MG	SG	Illustration	Restrictions	Update	18:36	16.08.2006	PORSCHE	PET	PORSCHE
9pa	06	3	05	305-15		203					

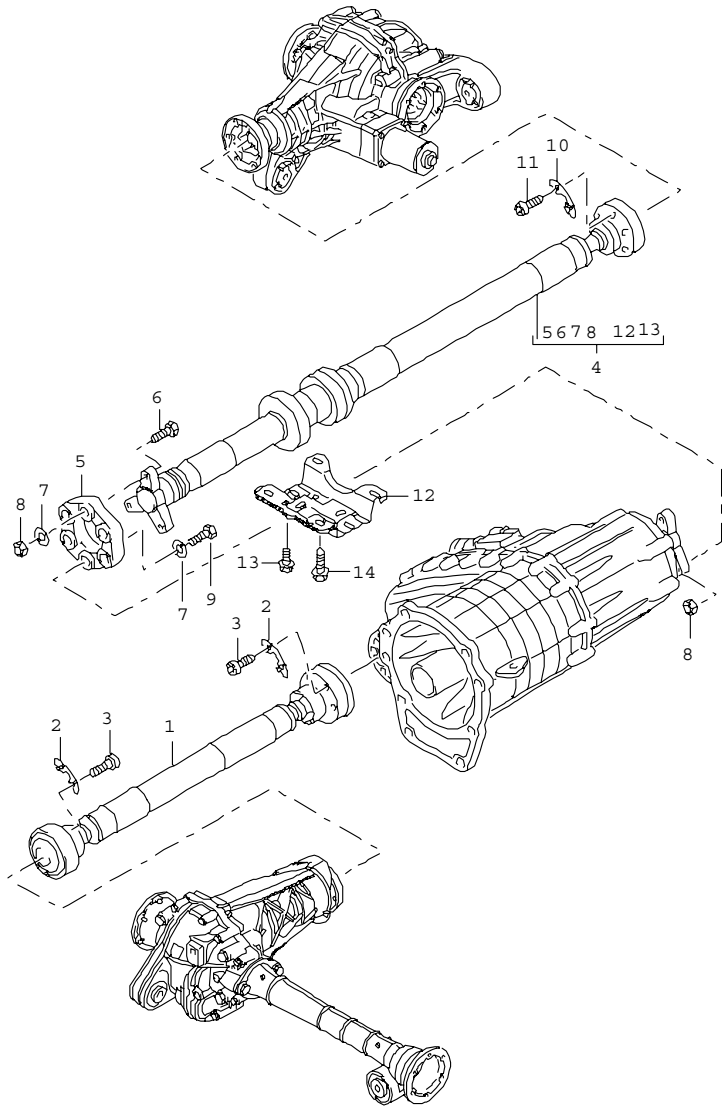


Pos	Part Number	Name	Remarks	Qty	Model
		transfer box	04-		Z48.00/50 Z48.20/21
		ready for installation			
1	> 955 341 040 01	transfer box	IGOR IGOL	1	Z48.00
		ready for installation			
		halslaenge 56,3mm			
1	> 955 341 040 51	transfer box	IGOR	1	Z48.50
		ready for installation			
(1)	> 955 341 040 10	transfer box	IGOR 04-	1	Z48.20
		ready for installation			
(1)	> 955 341 040 20	transfer box	IGOL 04-	1	Z48.21
		ready for installation			
2	N 103 145 01	hexagon-head bolt AM 10 X 50		1	
3	955 341 139 00	dowel sleeve		2	
4	N 908 620 01	double hollow screw AM 10 X 50-M 8 X 16		1	
5	955 341 271 10	output flange		1	
6	955 341 323 00	round seal 29,74 X 3,53		1	
7	U 955 341 204 00	hexagon nut mount for output flange		2	
		technical manual attention			
(7)	955 341 204 01	nut mount for output flange		2	
8	955 321 199 00	radial shaft seal 90 x 52 x 15 output flange rear axle		1	
9	955 301 323 00	round seal		1	
10	955 341 271 00	output flange		1	
11	955 321 199 20	radial shaft seal 80 X 60 X 15		1	

Model	Year	MG	SG	Illustration	Restrictions	Update	18:36	16.08.2006	PORSCHE	PET	PORSCHE
9pa	06	3	05	305-15		203					

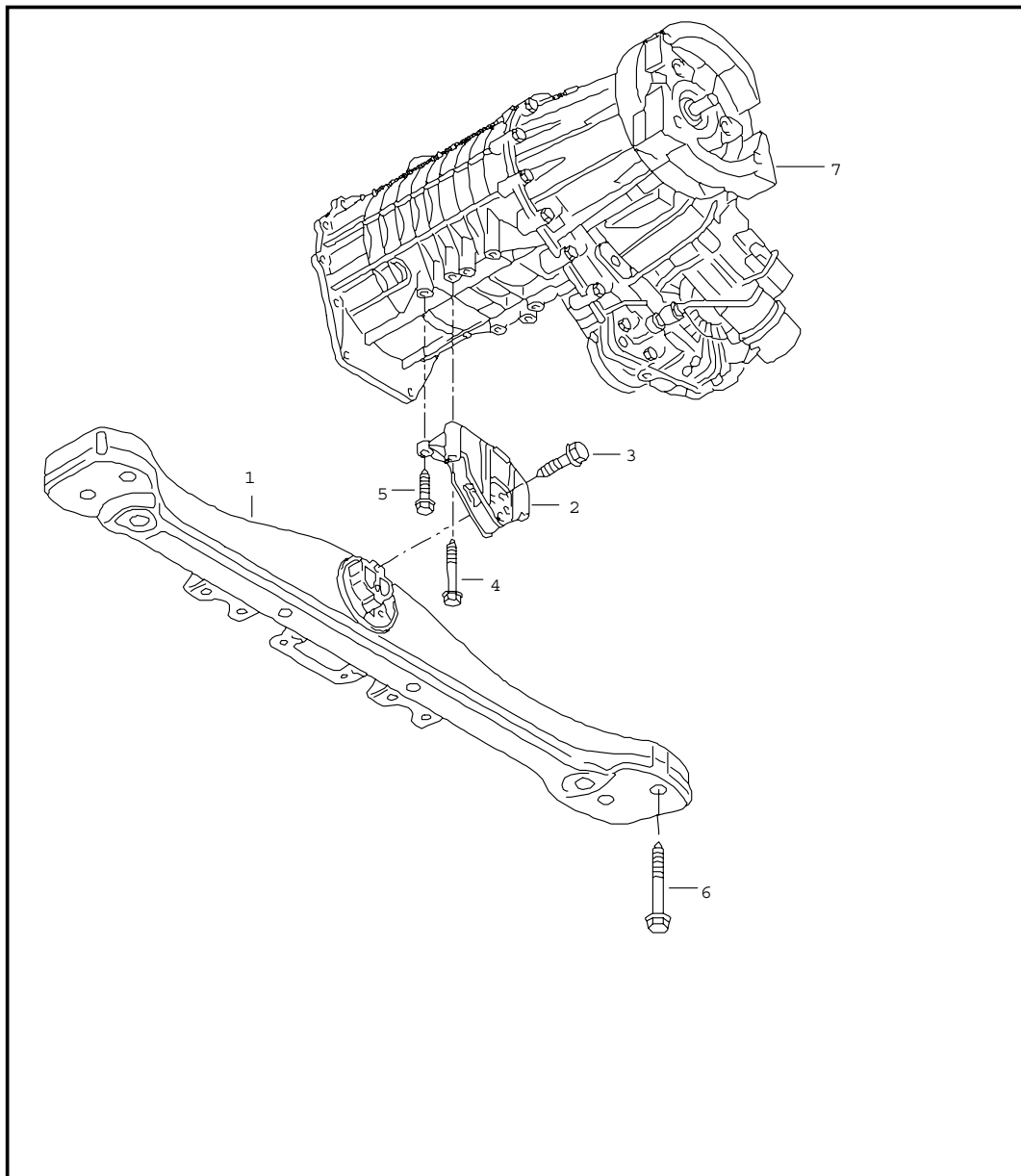
Pos	Part Number	Name	Remarks	Qty	Model	Pos	Part Number	Name	Remarks	Qty	Model
12	955 321 199 10	radial shaft seal 71 X 50 X 10 for drive shaft		1							
13	955 341 323 10	round seal 41,3 X 3,1		1							
14	U 955 624 601 00	electric motor		1							
14	955 624 601 01	electric motor		1							
15	955 341 131 00	gasket electric motor		1							
16	955 341 992 00	dowel sleeve		3							
17	N 014 726 3	pan-head screw M 8 X 30		3							
18	000 043 300 36	transmission oil ATF container 1 LITER		X							
19	955 341 447 00	support for electric motor		1							
20	N 905 330 02	hexagon-head bolt M 6 X 20		2							
21	955 301 115 00	screw plug		1							
22	955 301 565 00	clip		1							
24	955 301 047 00	bleeder 1360 MM it is necessary to rework		1							
25	014 301 485	cap bleeding		1							
26	N 103 283 01	support A1 - 13 X C5 - 25		1							
29	N 013 813 1	sealing ring A 12 X 17		1							
30	N 029 703 2	screw plug M 12 X 1,5 X 12		1							
		- - - E N D - - -									

Model	Year	MG	SG	Illustration	Restrictions	Update	18:36	16.08.2006	PORSCHE	PET	PORSCHE
9pa	06	3	05	305-20		203					



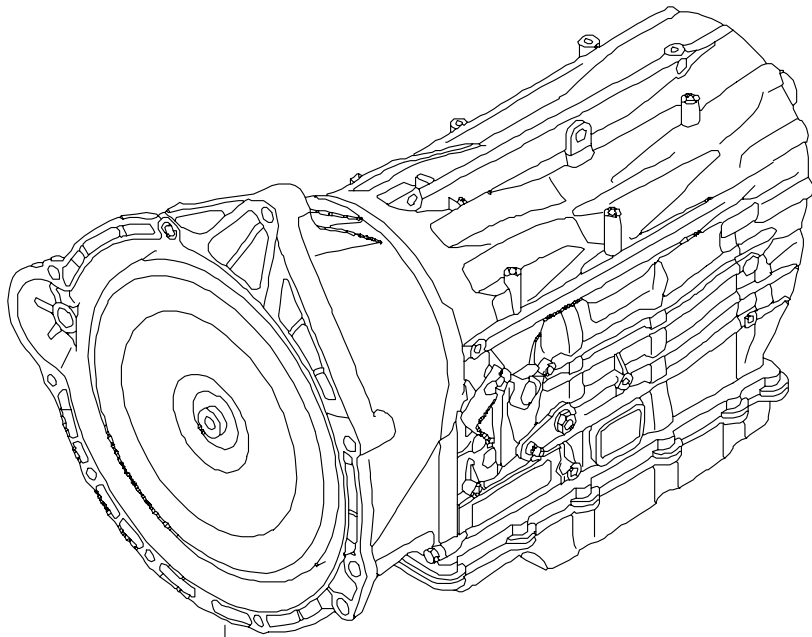
Pos	Part Number	Name	Remarks	Qty	Model
		cardan shaft			V48.00/50/20 H48.00/50/20
1	955 421 020 00	cardan shaft 632 MM		1	
2	955 349 191 20	plate		6	
3	N 909 417 01	pan-head screw M 10 X 45		12	
4	A 955 421 020 10	cardan shaft 1246 MM	03	1	IT91
4	955 421 020 11	cardan shaft 1246 MM	04-	1	IT91/IT31
(4)	955 421 020 20	cardan shaft 1246 MM	03	1	IT90
(4)	955 421 020 21	cardan shaft 1246 MM	04-	1	IT90
5	955 421 010 00	articulated piece		1	
6	N 101 713 02	hexagon-head bolt M 12 X 1,5 X 70		3	
7	N 011 531 12	washer A 13		6	
8	N 100 289 08	hexagon nut M 12 X 1,5		6	
9	N 105 262 01	hexagon-head bolt M 12 X 1,5 X 65		3	
10	955 349 191 20	plate		3	
11	N 909 417 01	pan-head screw M 10 X 45		6	
12	955 349 340 00	support		1	
13	N 104 032 01	hexagon-head bolt M 8 X 16		2	
14	N 102 859 04	hexagon-head bolt M 10 X 25		6	
- - - E N D - - -					

Model	Year	MG	SG	Illustration	Restrictions	Update	18:37	16.08.2006	PORSCHE	PET	PORSCHE
9pa	06	3	07	307-00		203					



Pos	Part Number	Name	Remarks	Qty	Model
		transfer box transmission suspension			
1	955 341 225 00	transmission carrier		1	ID9K/ID9L
(1)	955 341 225 10	transmission carrier		1	ID9J
2	955 341 649 01	transmission bracket	-05	1	ID9K/ID9L
(2)	955 341 649 03	transmission bracket	06-	1	ID9K/ID9L
(2)	955 341 649 00	transmission bracket	-05	1	ID9J
(2)	955 341 649 02	transmission bracket	06-	1	ID9J
3	N 105 167 01	hexagon-head bolt AM 10 X 55		2	
4	N 100 155 06	hexagon-head bolt M 8 X 70		2	
5	N 019 503 5	hexagon-head bolt M 8 X 35		2	
6	N 909 913 01	hexagon-head bolt M 10 X 80		4	
7	U ---	see illustrations 3/05/15			
- - - E N D - - -					

Model	Year	MG	SG	Illustration	Restrictions	Update	18:37	16.08.2006	PORSCHE	PET	PORSCHE
9pa	06	3	20	320-00		203					



1

2

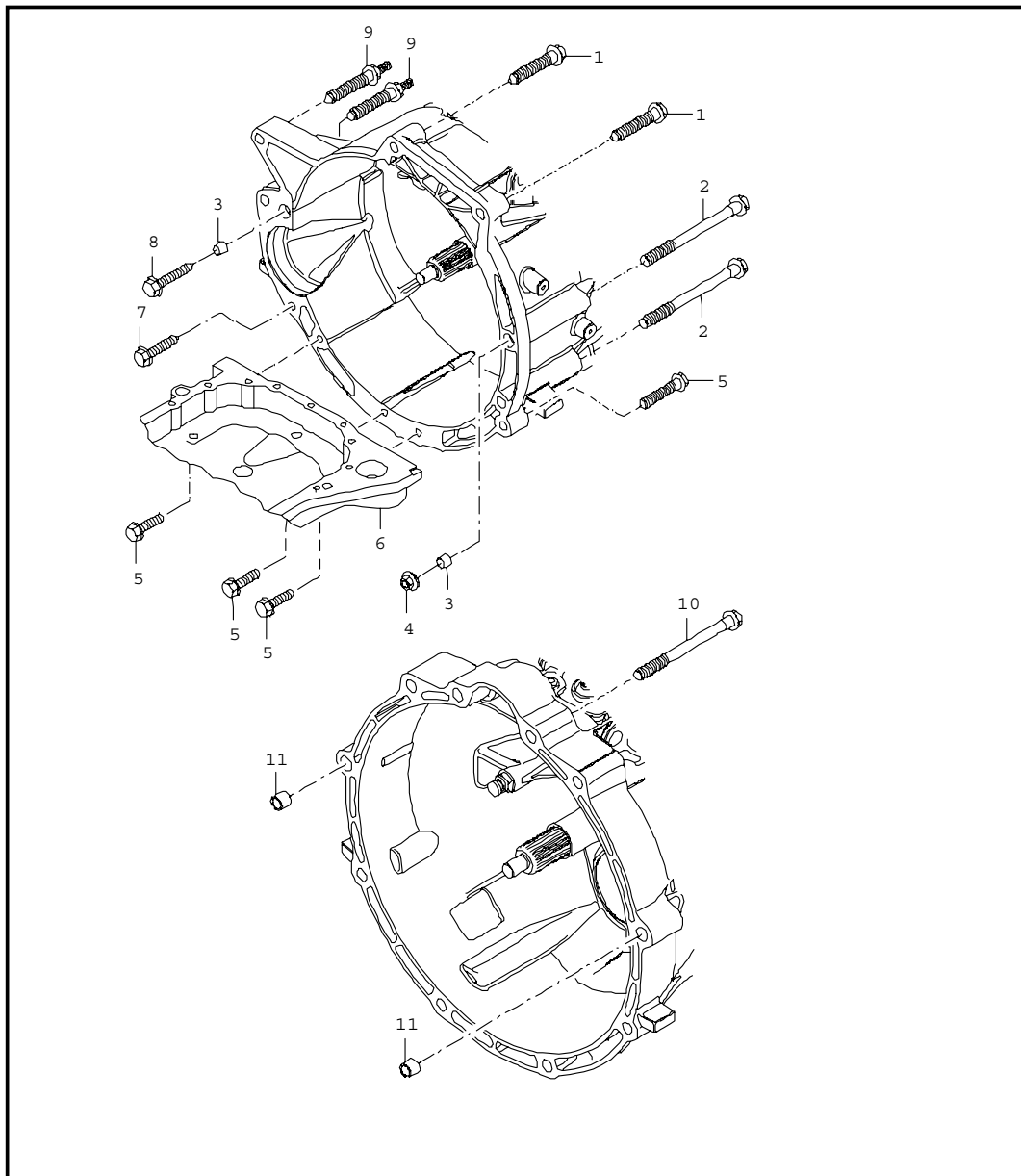


Pos	Part Number	Name	Remarks	Qty	Model
		tiptronic replacement transmission	04-		A48.00/50 A48.20
1	A 955 300 011 21	replacement transmission		1	A48.00
1	> 955 300 011 23	replacement transmission F >>9P4LA 48466		1	A48.00
1	> 955 300 011 25	replacement transmission F 9P4LA 48467>> until F >>9P4LA 48466 use also: control unit 955.618.022.10		1	A48.00
1	> 955 300 011 27	replacement transmission F 9P6LA 43716>> until F >>9P6LA 43715 use also: control unit 955.618.022.20		1	A48.00
1	A 955 300 011 22	replacement transmission		1	A48.50
1	> 955 300 011 24	replacement transmission F >>9P4LA 83830		1	A48.50
1	> 955 300 011 26	replacement transmission F 9P4LA 83831>> until F >>9P4LA 83830 use also: control unit 955.618.021.10		1	A48.50
1	> 955 300 011 51	replacement transmission F 9P6LA 81707>> until F >>9P6LA 81706 use also: control unit 955.618.021.20		1	A48.50
1	A 955 300 011 00	replacement transmission F >>9P4LA 01743	04-	1	A48.20
1	> 955 300 011 01	replacement transmission F 9P4LA 01744>> until F >>9P4LA 01743 use also: control unit 955.618.020.10	04-	1	A48.20

Model	Year	MG	SG	Illustration	Restrictions	Update					
9pa	06	3	20	320-00		203	18:37	16.08.2006	PORSCHE	PET	PORSCHE

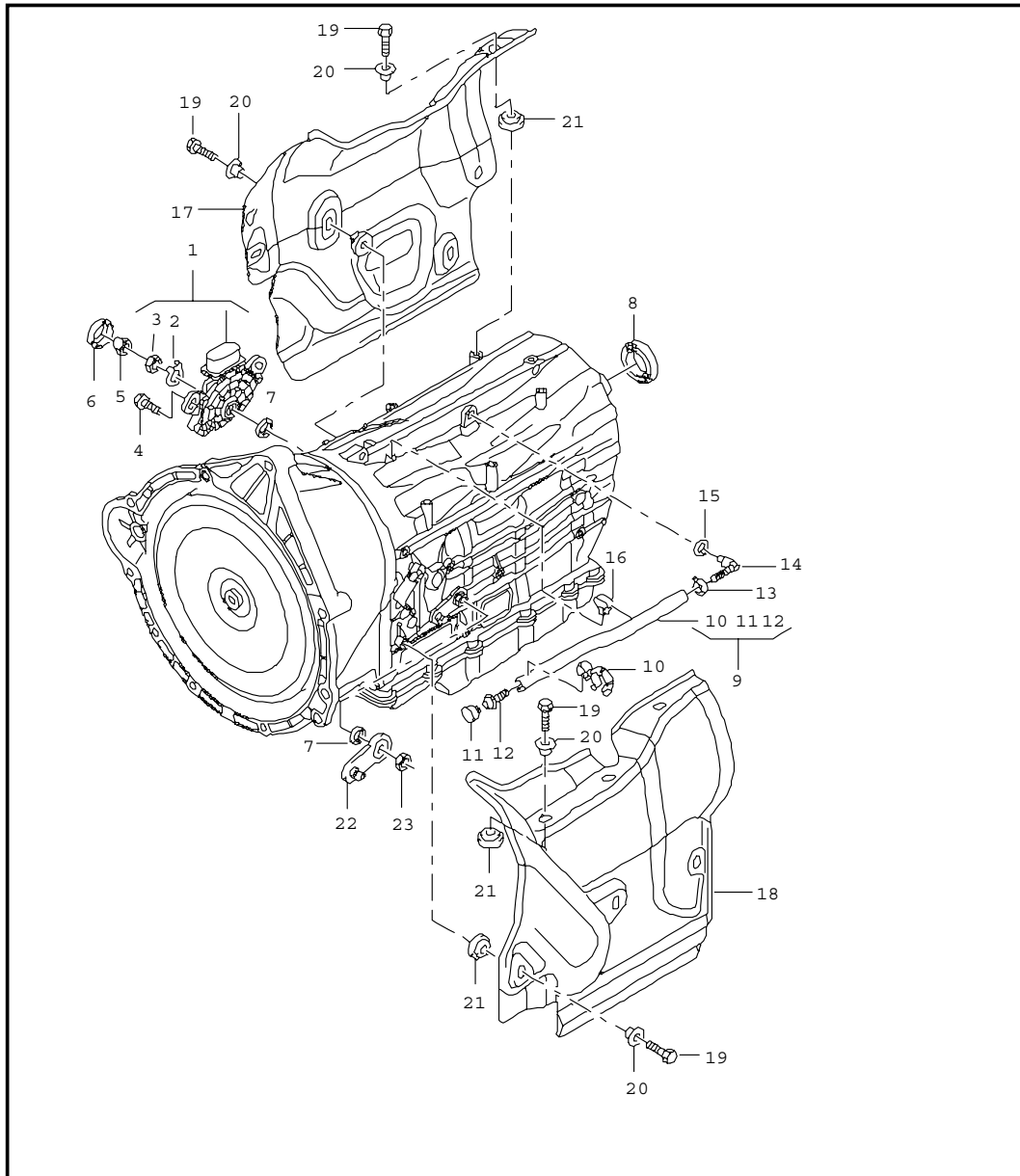
Pos	Part Number	Name	Remarks	Qty	Model	Pos	Part Number	Name	Remarks	Qty	Model
1	> 955 300 011 02	replacement transmission F 9P6LA 03710>> F >>9P6LA 03709 use also: control unit 955.618.020.20		1	A48.20						
2	000 043 205 28	transmission oil ATF 1 LTR. container - - - E N D - - -		X							

Model	Year	MG	SG	Illustration	Restrictions	Update	18:37	16.08.2006	PORSCHE	PET	PORSCHE
9pa	06	3	20	320-05		203					



Pos	Part Number	Name	Remarks	Qty	Model
		threaded joint engine			ID9J/D9K/D9L
		for cayenne			
1	N 102 171 02	hexagon-head bolt BM 12 X 60 X 48		2	
2	N 105 923 01	hexagon-head bolt BM 12 x 140 X 49		2	
3	...	see illustrations 1/01/06 Pos.20		2	
4	N 104 748 01	collar nut M 12 X 1,5		1	
5	N 103 145 01	hexagon-head bolt AM 10 X 50		4	
6	...	see illustrations 1/01/06 Pos.21		1	
7	...	see illustrations 9/02/05 Pos.2		1	
8	N 104 091 02	hexagon-head bolt AM 12 X 70		1	
9	N 907 682 02	stud AM 12 X 60 / M 8 X 16		2	
		for cayenne s and cayenne turbo			
10	999 072 008 09	hexagon-head bolt M 12 x 1,5 x 70		10	
11	...	see illustrations 1/01/05 Pos.6		2	
- - - E N D - - -					

Model	Year	MG	SG	Illustration	Restrictions	Update	18:37	16.08.2006	PORSCHE	PET	PORSCHE
9pa	06	3	20	320-10		203					

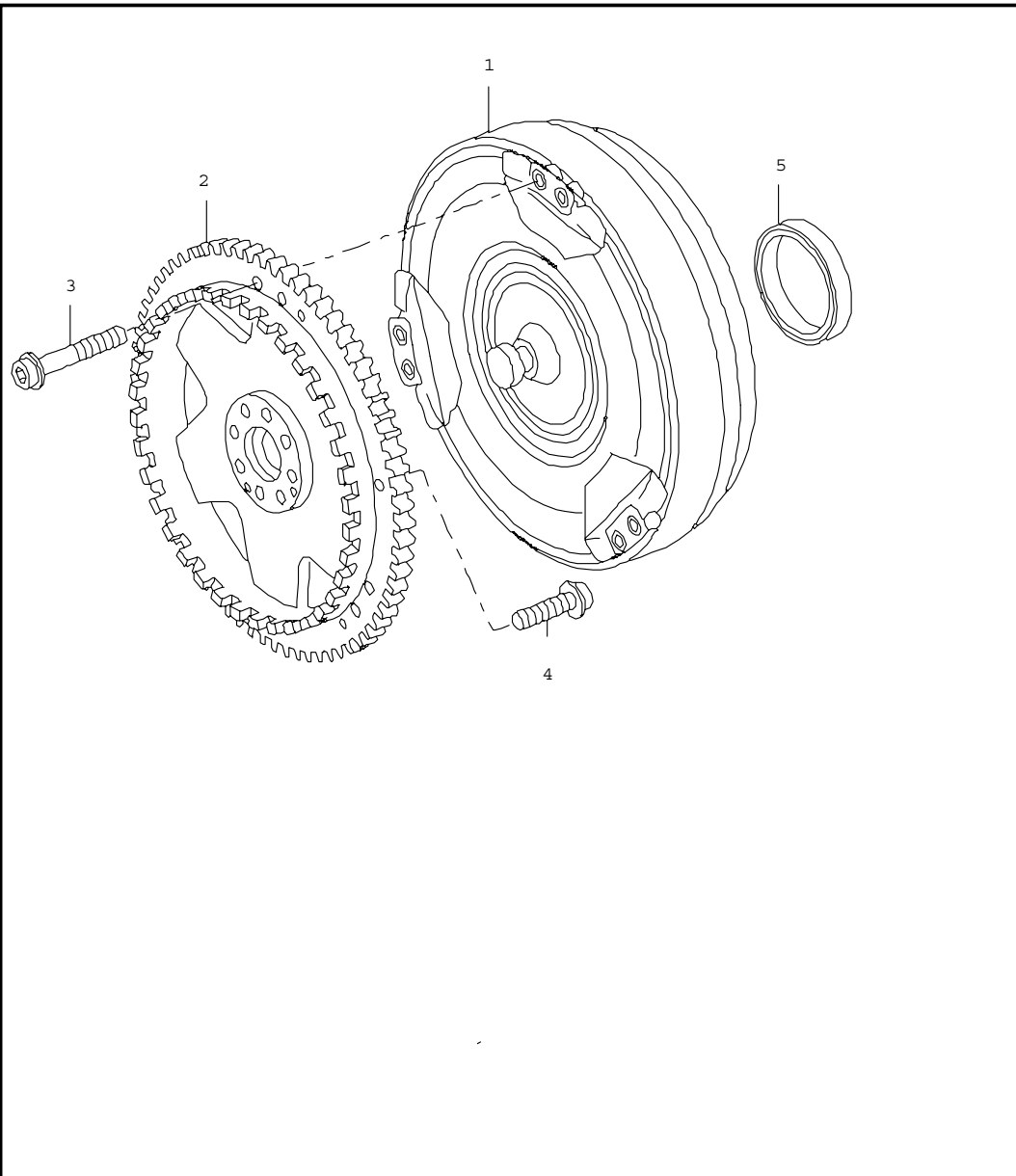


Pos	Part Number	Name	Remarks	Qty	Model
		tiptronic selector switch accessories			A48.00/50
1	955 325 612 00	selector switch		1	
2	---	part number in preparation			
3	---	part number in preparation		1	
4	---	part number in preparation		1	
5	---	part number in preparation		1	
6	---	part number in preparation		1	
7	955 321 199 30	radial shaft seal 11 X 22 X 7		2	
8	955 321 189 00	radial shaft seal 41 X 72 X 11		1	
9	955 301 047 00	bleeder		1	
10	N 103 283 01	support		1	
11	014 301 485	cap		1	
12	---	connection piece		1	
13	---	clip		1	
14	---	bleeder		1	
15	---	o-ring		1	
16	955 301 565 00	clip G >> 05 01 03		1	
16	955 301 565 01	clip G 06 01 03>>		1	
17	955 301 328 00	cover plate right	/R	1	
18	955 301 327 00	cover plate left	/L	1	

Model	Year	MG	SG	Illustration	Restrictions	Update					
9pa	06	3	20	320-10		203	18:37	16.08.2006	PORSCHE	PET	PORSCHE

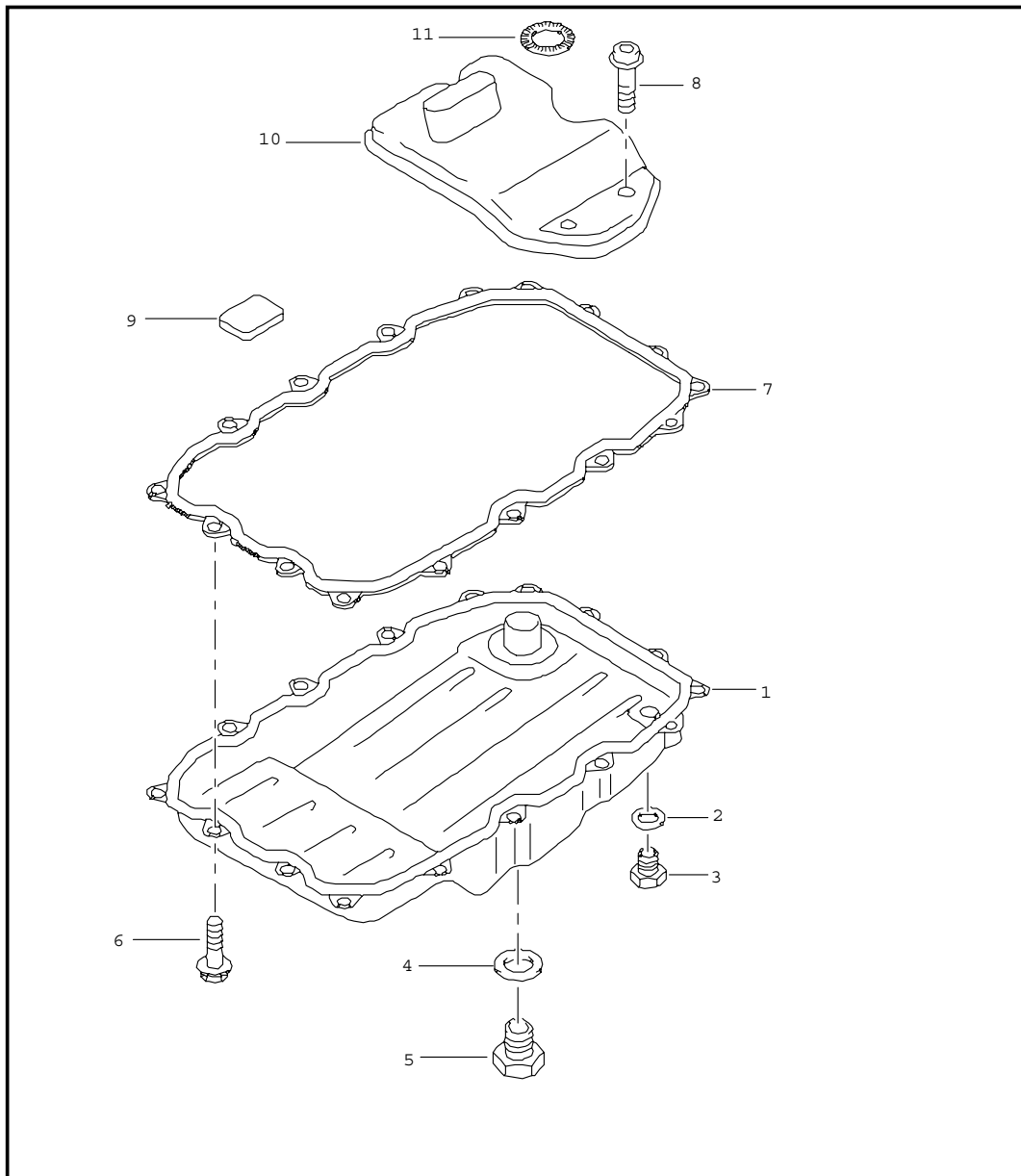
Pos	Part Number	Name	Remarks	Qty	Model	Pos	Part Number	Name	Remarks	Qty	Model
19	N 100 636 02	hexagon-head bolt M 6 X 25		13							
20	6N0 129 734	bush		13							
21	867 129 669	grommet		13							
22	---	selector lever		1							
23	---	hexagon nut		2							
24	955 301 520 00	support for selector switch		1							
-	955 301 307 00	cover plate		1							
-	955 301 502 00	support for wiring harness		1							
-	N 011 006 24	hexagon nut M 6		1							
		- - - E N D - - -									

Model	Year	MG	SG	Illustration	Restrictions	Update	18:38	16.08.2006	PORSCHE	PET	PORSCHE
9pa	06	3	30	330-00		203					



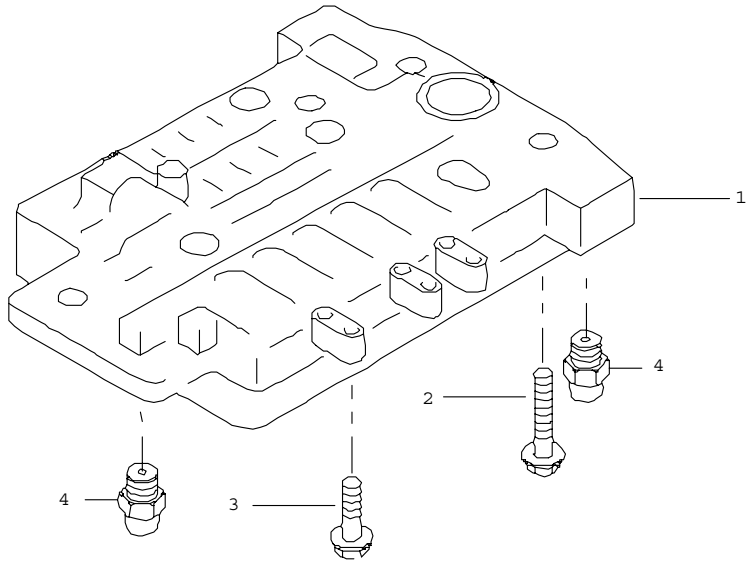
Pos	Part Number	Name	Remarks	Qty	Model
		tiptronic	04-		A48.00/50 A48.20
		torque converter drive plate			
1	U 955 316 001 01	torque converter		1	A48.00
1	P 955 316 001 02	torque converter		1	A48.00
1	955 316 001 51	torque converter		1	A48.50
1	955 316 001 20	torque converter	04-	1	A48.20
2	A 955 116 075 00	drive plate		1	A48.00
2	955 116 075 50	drive plate		1	A48.00/50
		M >> 816 13853			
		M >> 826 05214			
(2)	N 955 116 075 51	drive plate		1	A48.00/50
		M 816 13854 >>			
		M 826 05215 >>			
3	N 910 425 01	pan-head screw		6	A48.00/50
		M 10 X 1 X 23			
(3)	N 906 916 01	pan-head screw	04-	6	A48.20
		M 10 X 1 X 17			
4	N 909 869 01	pan-head screw		10	A48.00/50
		M 10 X 1 X 22			
5	955 321 243 00	radial shaft seal		1	
		43,8 X 62,1 X 7,7			
		for			
		bush			
		version			
5	U 955 321 243 01	radial shaft seal		1	
		43,65 X 62,1 X 7,7			
		for			
		needle-roller bearing			
		version			
5	N 955 321 243 02	radial shaft seal		1	
		43,65 x 62,1 x 7,7			
		for			
		needle-roller bearing			
		use also:			
		955.301.729.00			
		- - - E N D - - -			

Model	Year	MG	SG	Illustration	Restrictions	Update	18:38	16.08.2006	PORSCHE	PET	PORSCHE
9pa	06	3	40	340-01		203					



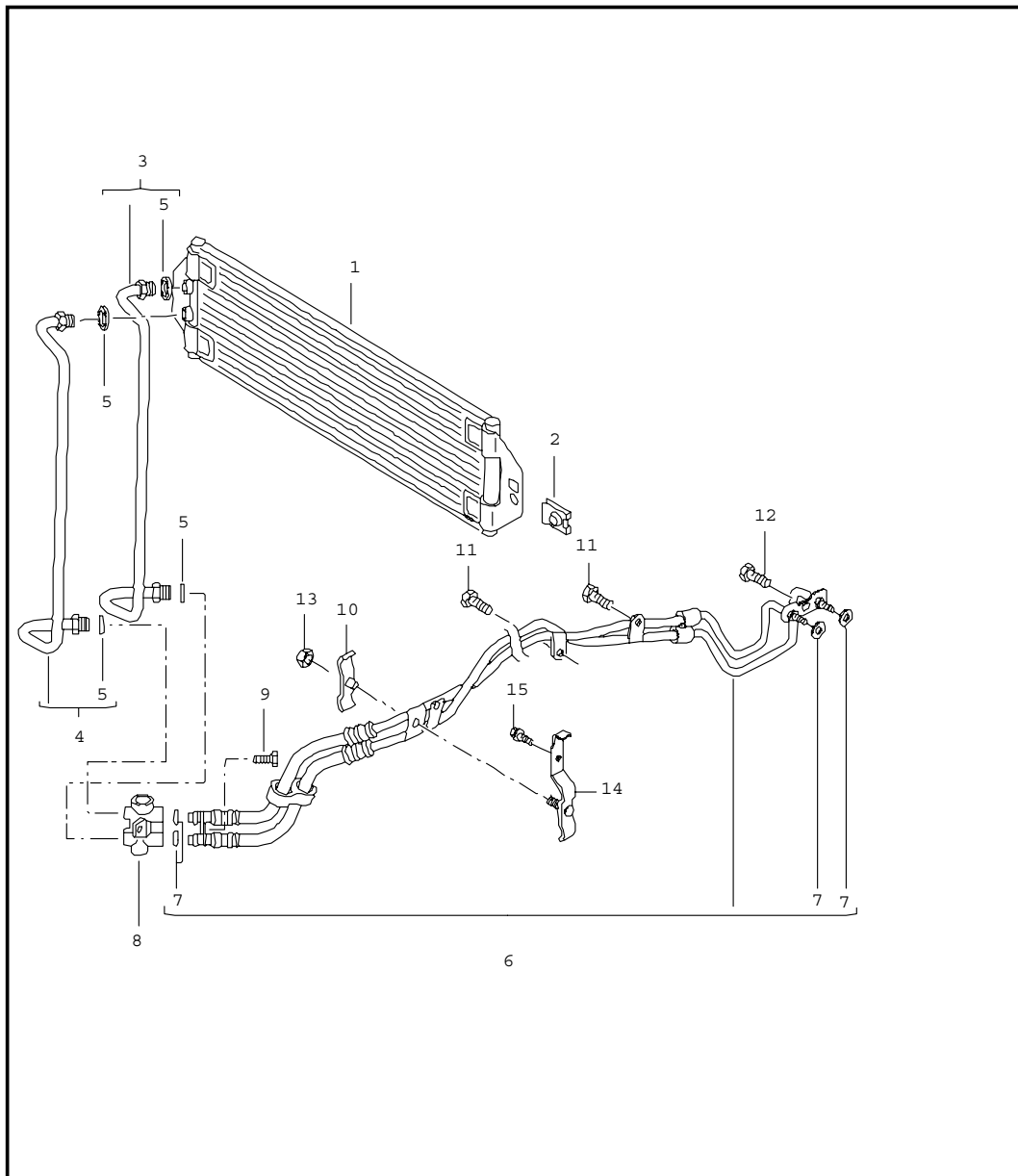
Pos	Part Number	Name	Remarks	Qty	Model
		tiptronic oil filter oil pan	04-		A48.00/50 A48.20
1	955 321 025 00	oil pan		1	
1	955 321 025 01	oil pan		1	
2	955 321 181 00	sealing ring		1	
3	955 321 377 00	drain plug M 10 X 1		1	
4	955 321 379 00	sealing ring		1	
5	955 321 376 00	screw plug M 24 X 1,5		1	
6	955 321 373 00	hexagon-head bolt M 6 X 25		16	
7	955 397 016 00	oil sump gasket		1	
8	WHT 000 322	screw		3	
9	955 321 368 00	magnet for oil pan		1	
10	955 307 403 00	oil filter		1	
11	955 325 443 00	gasket		1	
- - - E N D - - -					

Model	Year	MG	SG	Illustration	Restrictions	Update	18:38	16.08.2006	PORSCHE	PET	PORSCHE
9pa	06	3	40	340-02		203					



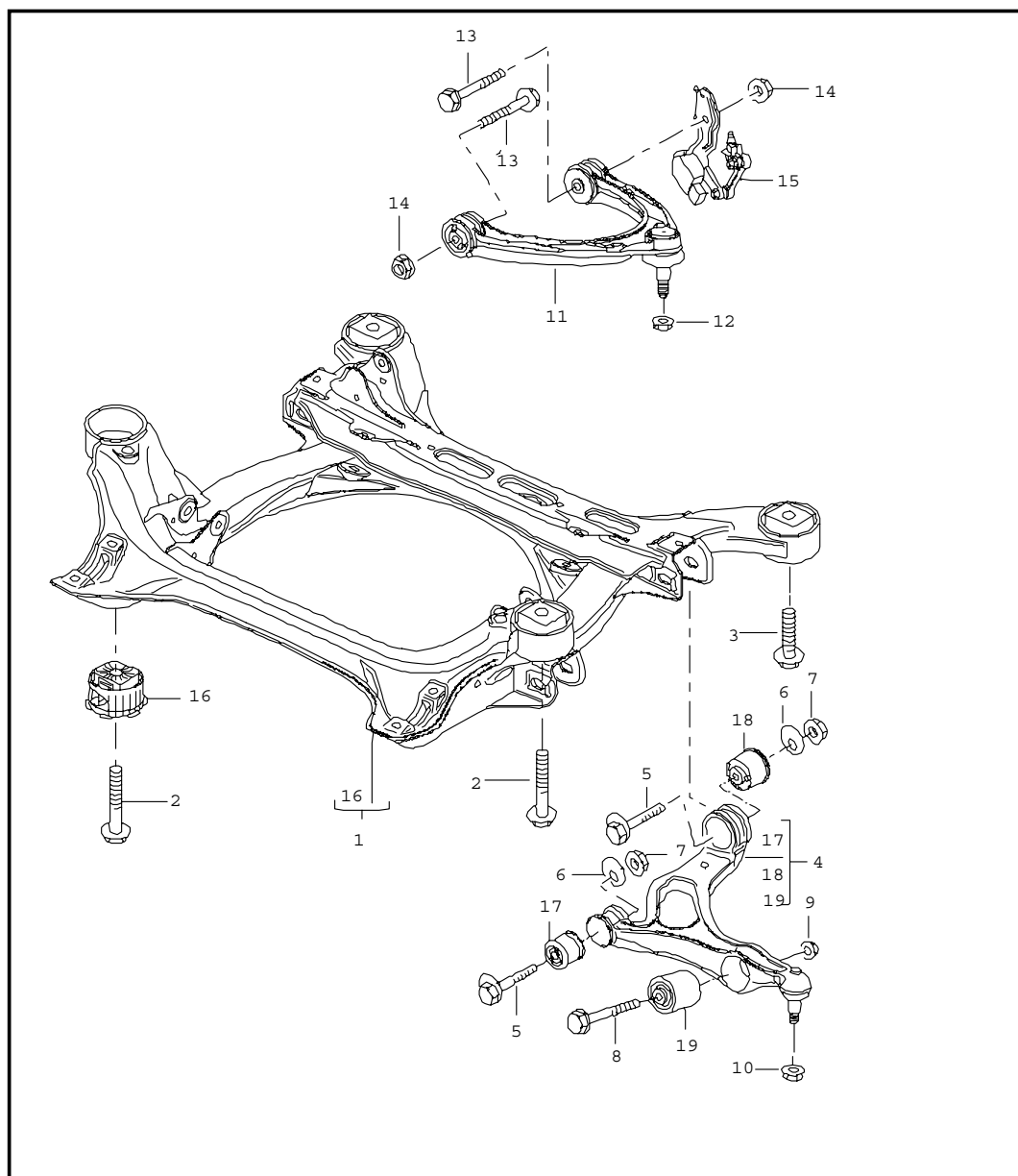
Pos	Part Number	Name	Remarks	Qty	Model
		tiptronic switch unit	04-		A48.00/50 A48.20
1	955 325 039 00	switch unit		1	A48.50
(1)	955 325 039 10	switch unit		1	A48.00/20
2	WHT 000 321	hexagon-head bolt M 6 X 40		3	
3	WHT 000 324	screw M 6 X 28		11	
4	955 606 081 00	oil pressure switch		2	
-	955 606 321 00	inductive transmitter for output speed		1	
-	955 325 363 00	wiring harness 8-pole		1	
-	955 325 363 10	wiring harness 14-pole		1	
		- - - E N D - - -			

Model	Year	MG	SG	Illustration	Restrictions	Update	18:38	16.08.2006	PORSCHE	PET	PORSCHE
9pa	06	3	60	360-00		203					



Pos	Part Number	Name	Remarks	Qty	Model
		tiptronic			A48.00/50 A48.20
		atf cooler			
		atf lines			
1	955 307 017 00	atf cooler		1	
2	999 166 034 02	sl-lock		2	
3	955 307 172 00	oil pipe return		1	
4	955 307 171 00	oil pipe supply		1	
5	948 307 292 00	round seal 11.1 X 1,78		4	
6	955 307 073 00	oil pipe complete		1	A48.50
(6)	955 307 073 10	oil pipe complete		1	A48.00
(6)	955 307 073 20	oil pipe complete		1	A48.20
7	N 906 660 01	o-ring 11,5 X 3		4	
8	955 307 027 01	thermostat		1	
9	N 908 424 01	screw M 6 X 25		1	
10	955 307 211 00	support		1	
11	N 090 242 3	screw M 6 X 18		2	
12	N 090 329 2	screw M 8 X 26		1	
13	N 904 465 01	hexagon nut M 6		1	
14	948 307 147 01	support		1	
15	900 385 041 09	torx screw M 6 X 12		1	
		- - - E N D - - -			

Model	Year	MG	SG	Illustration	Restrictions	Update	18:38	16.08.2006	PORSCHE	PET	PORSCHE
9pa	06	4	01	401-00		203					

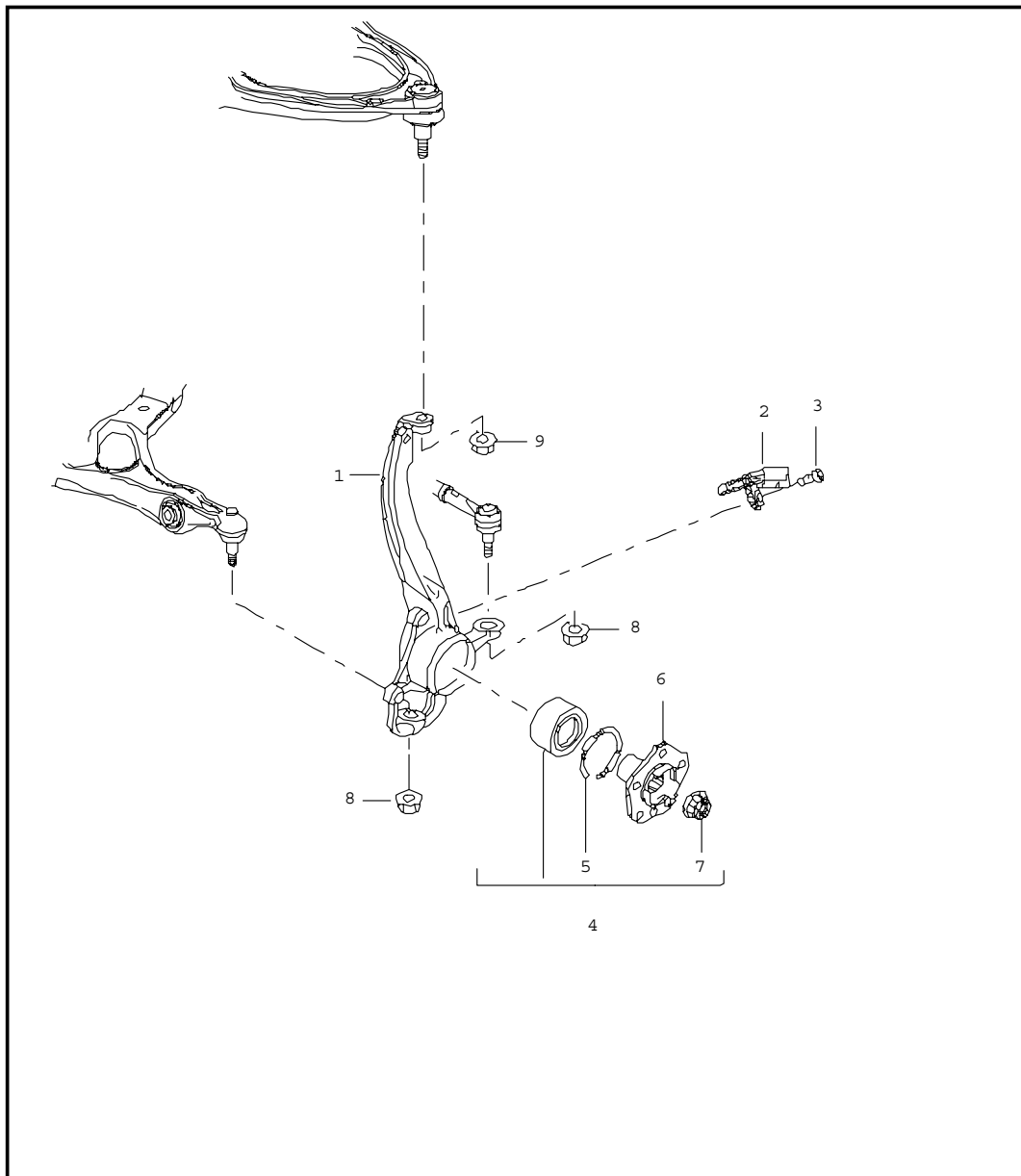


Pos	Part Number	Name	Remarks	Qty	Model
		suspension subframe			
		control arm			
		headlight levelling system			
		self-levelling sensor			
1	A 955 341 030 12	suspension subframe		1	I1BA/I8Q3
				2	I1BK
(1)	A 955 341 030 13	suspension subframe		1	
(1)	A 955 341 030 14	suspension subframe		1	
(1)	A 955 341 030 15	suspension subframe		1	
(1)	955 341 030 16	suspension subframe	-05	1	
(1)	N 955 341 030 17	suspension subframe	06-	1	
2	N 909 987 01	hexagon-head bolt M 14 X 1,5 X 150		2	
3	N 909 988 01	hexagon-head bolt M 14 X 1,5 X 115		2	
4	A 955 341 017 30	control arm lower	/L	1	
(4)	955 341 017 32	control arm lower	/L	1	
(4)	955 341 017 50	control arm lower	/L 05-	1	IE81
(4)	955 341 017 50	control arm lower	/L 06-	1	IE8A
(4)	A 955 341 018 30	control arm lower	/R	1	
(4)	955 341 018 32	control arm lower	/R	1	
(4)	955 341 018 50	control arm lower	/R 05-	1	IE81
(4)	955 341 018 50	control arm lower	/R 06-	1	IE8A
5	955 331 217 00	eccentric screw M 14 X 1,5 X 105		4	
6	955 331 219 00	eccentric washer		4	

Model	Year	MG	SG	Illustration	Restrictions	Update	18:38	16.08.2006	PORSCHE	PET	PORSCHE
9pa	06	4	01	401-00		203					

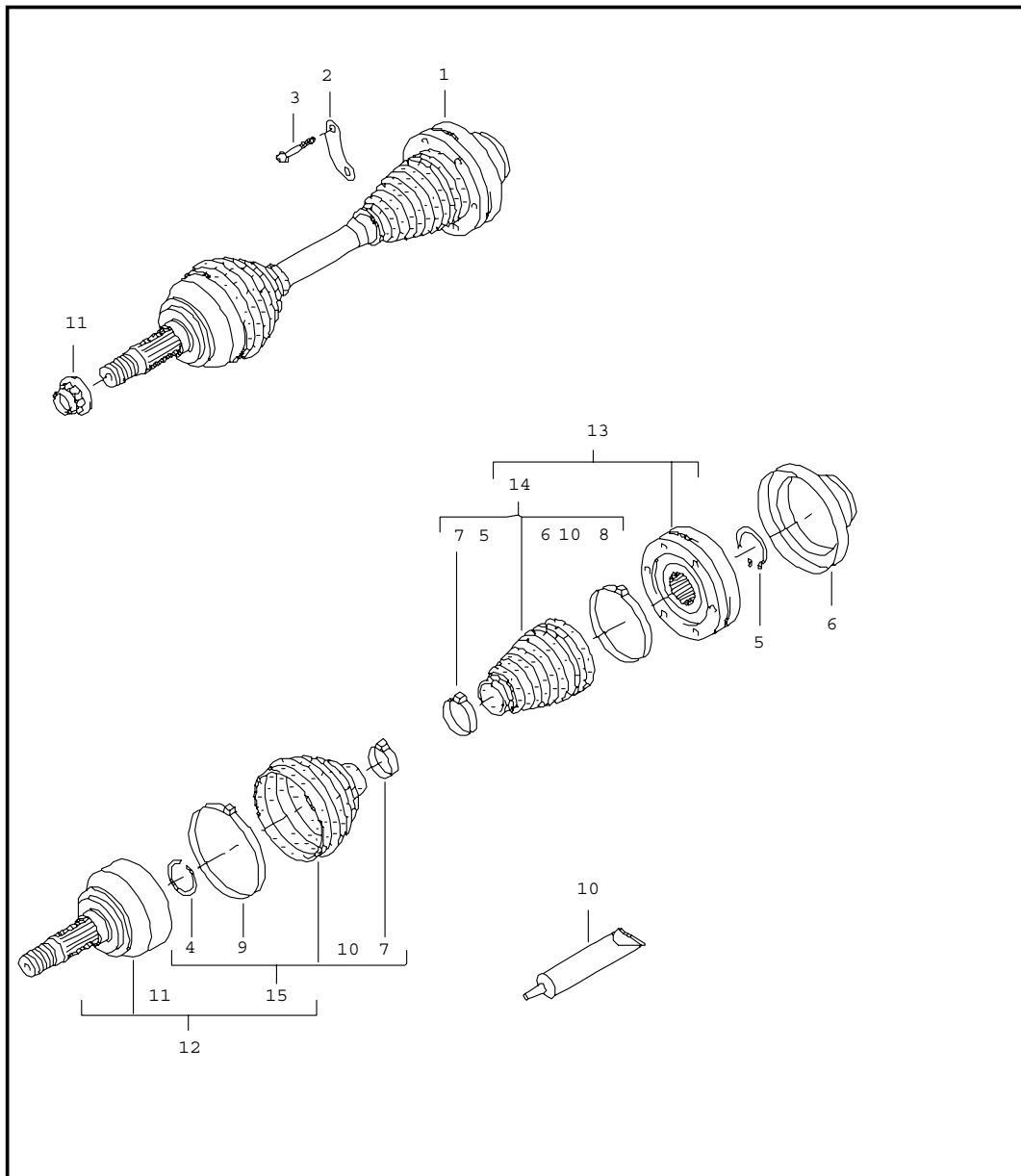
Pos	Part Number	Name	Remarks	Qty	Model	Pos	Part Number	Name	Remarks	Qty	Model
7	N 102 686 02	hexagon nut M 14 X 1,5		4		16	955 341 133 00	bonded rubber mounting		4	
8	N 105 326 01	hexagon-head bolt M 14 X 1,5 X 102		2		17	955 341 588 10	link bearing		2	
9	N 103 353 02	hexagon nut M 14 X 1,5		2		18	955 341 242 03	hydraulic mount		2	
10	N 909 771 01	hexagon nut M 14 X 1,5		2		(18)	955 341 242 50	bonded rubber mounting	05-	2	IE81
11	A 955 341 027 00	control arm upper		2		(18)	955 341 242 50	bonded rubber mounting	06-	2	IE8A
(11)	955 341 027 01	control arm upper		2		19	955 343 243 01	suspension strut mounting		2	
12	N 909 413 01	hexagon nut M 12 X 1,5		2				- - - E N D - - -			
13	N 102 902 04	hexagon-head bolt AM 10 X 70		4							
14	N 102 861 02	hexagon nut M 10		4							
15	955 341 075 10	self-levelling sensor with linkage	/L	1	I1BA/I8Q3						
15	955 341 075 00	self-levelling sensor with linkage F >>9P4LA 01525 F >>9P4LA 48415 F >>9P4LA 83739	/L	1	I1BK						
(15)	955 341 075 20	self-levelling sensor with linkage F 9P4LA 01526>> F 9P4LA 48416>> F 9P4LA 83740>>	/L	1	I1BK						
(15)	955 341 076 00	self-levelling sensor with linkage F >>9P4LA 01525 F >>9P4LA 48415 F >>9P4LA 83739	/R	1	I1BK						
(15)	955 341 076 20	self-levelling sensor with linkage F 9P4LA 01526>> F 9P4LA 48416>> F 9P4LA 83740>>	/R	1	I1BK						

Model	Year	MG	SG	Illustration	Restrictions	Update	18:39	16.08.2006	PORSCHE	PET	PORSCHE
9pa	06	4	01	401-05		203					



Pos	Part Number	Name	Remarks	Qty	Model
		pivot bearing wheel hub			
1	955 341 155 10	pivot bearing	/L	1	
(1)	955 341 156 10	pivot bearing	/R	1	
2	955 606 405 10	speed sensor	/L -05	1	
(2)	955 606 405 11	speed sensor	/L 06-	1	
(2)	955 606 406 10	speed sensor	/R -05	1	
(2)	955 606 406 11	speed sensor	/R 06-	1	
3	N 014 740 4	pan-head screw M 6 X 16	-05	2	
(3)	N 014 740 11	pan-head screw M 6 X 16	06-	2	
4	955 341 901 00	repair kit angular-contact bearing use also: N .105.234.01 for mount drive shaft		2	
5	N 105 320 01	circlip		2	
6	955 341 605 10	wheel hub		2	
7	955 341 640 00	lock nut		2	
8	N 909 771 01	hexagon nut M 14 X 1,5		4	
9	N 909 413 01	hexagon nut M 12 X 1,5		2	
-	000 043 204 21	grease spraying can 25 ML		1	
		- - - E N D - - -			

Model	Year	MG	SG	Illustration	Restrictions	Update	18:39	16.08.2006	PORSCHE	PET	PORSCHE
9pa	06	4	01	401-10		203					

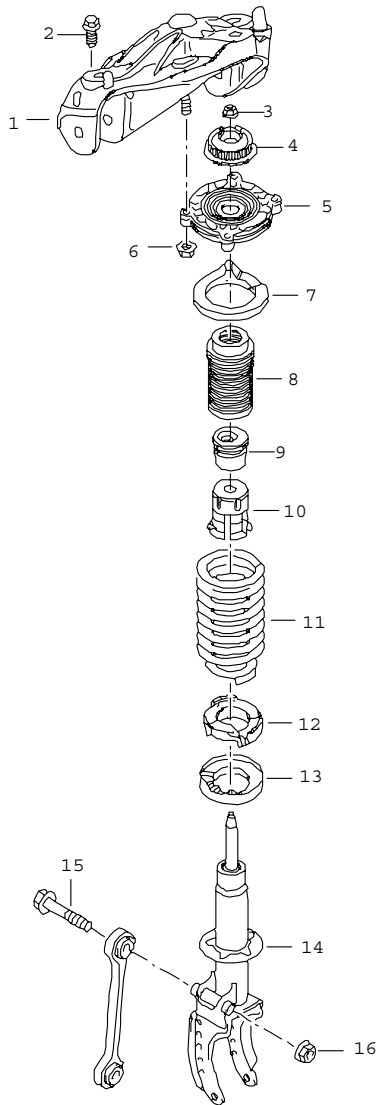


Pos	Part Number	Name	Remarks	Qty	Model
		drive shaft			
1	A 955 349 038 10	drive shaft		2	
(1)	955 349 038 11	drive shaft		2	
2	955 349 191 10	plate		6	
3	N 105 234 01	pan-head screw AM 10 X 52		12	
4	N 909 908 01	snap ring 27,5 X 2		2	
5	N 012 374 1	circlip 28 X 1,5		2	
6	cover		X	
7	A N 909 341 01	hose clamp 35 X 10 X 0,8		4	
(7)	N 908 240 01	hose clamp 34,5 X 10 X 0,8		4	
8	N 106 015 01	clamp 74,5 X 10 X 1		2	
9	A N 909 343 01	hose clamp 105 X 10 X 1		2	
(9)	N 910 235 01	hose clamp 104,5 X 10 X 1		2	
10	955 349 110 00	grease drive shaft 1 tube 120 GR.		X	
11	955 341 640 00	lock nut M 24 X 1,5		2	
12	A 955 349 901 00	repair kit joint flange		2	
(12)	955 349 901 01	repair kit joint flange		2	
13	955 349 902 00	repair kit joint		2	
14	955 349 903 00	repair kit dust bellows		2	
15	955 349 904 00	repair kit dust bellows		2	

Model	Year	MG	SG	Illustration	Restrictions	Update	18:39	16.08.2006	PORSCHE	PET	PORSCHE
9pa	06	4	01	401-10		203					

Pos	Part Number	Name	Remarks	Qty	Model	Pos	Part Number	Name	Remarks	Qty	Model
-	000 043 020 00	optimoly 1 tube 100 g		X							
-	000 043 205 36	sealing compound drive shaft 1 tube 100 g		X							
		- - - E N D - - -									

Model	Year	MG	SG	Illustration	Restrictions	Update	18:39	16.08.2006	PORSCHE	PET	PORSCHE
9pa	06	4	02	402-00		203					

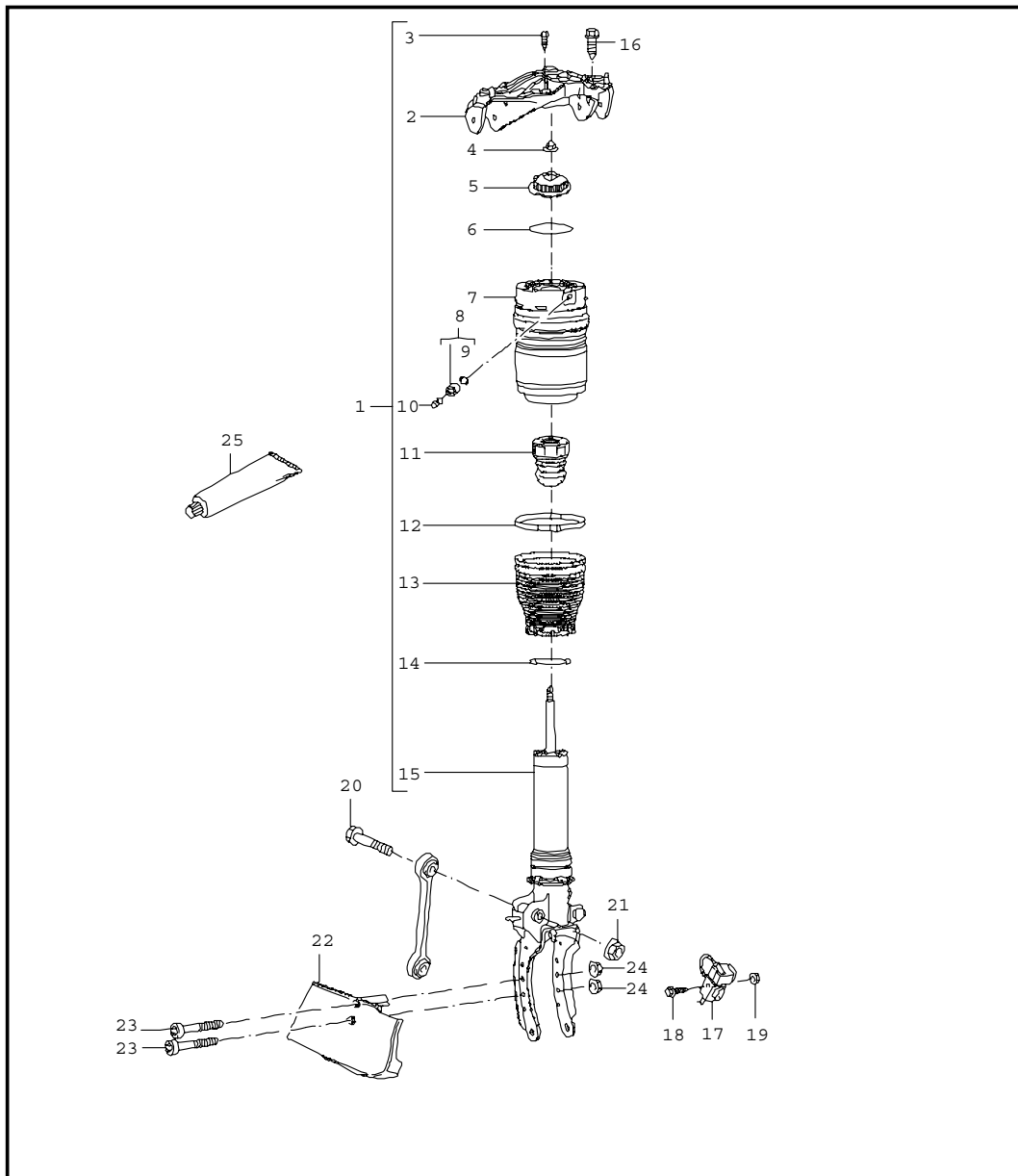


Pos	Part Number	Name	Remarks	Qty	Model
		springs shock absorber strut bearing bracket			I1BA
1	955 343 015 20	bearing bracket		2	
2	N 910 400 01	screw AM 10 X 37		6	
3	N 909 664 01	hexagon nut M 12 X 1,5 F >>9P6LA 04007 F >>9P6LA 44107		2	
(3)	N 909 664 02	hexagon nut M 12 X 1,5 F 9P6LA 04008>> F 9P6LA 44108>>		2	
4	955 343 018 00	supporting mount		2	
5	955 343 071 10	concave support		2	
6	N 104 355 02	hexagon nut M 8		8	
7	955 343 528 00	concave washer upper		2	
8	955 343 505 00	boot		2	
9	955 343 301 00	rubber stop		2	
10	955 343 503 10	cap		2	
11	955 343 533 03	coil spring 1 set	04-	1	ID9J/OJA/OJB
		504 marked yellow			
11	955 343 533 04	coil spring 1 set	04-	1	ID9J/OJC/OJD
		504 marked yellow yellow			
11	955 343 533 05	coil spring 1 set		1	ID9K/OJC/OJD
		504 marked gold-coloured			
11	955 343 533 06	coil spring 1 set		1	ID9K/OJE/OJF

Model	Year	MG	SG	Illustration	Restrictions	Update	18:39	16.08.2006	PORSCHE	PET	PORSCHE
9pa	06	4	02	402-00		203					

Pos	Part Number	Name	Remarks	Qty	Model	Pos	Part Number	Name	Remarks	Qty	Model
	504	marked gold-coloured gold-coloured									
12	955 343 527 00	concave washer lower		2							
13	955 343 525 00	compensating plate lower black		2							
(13)	955 343 525 10	compensating plate lower blue		2							
(13)	955 343 525 20	compensating plate lower beige		2							
14	955 343 043 00	shock absorber -SACHS- F >>9P6LA 04007	/L 04-	1	ID9J						
(14)	955 343 044 00	shock absorber -SACHS- F >>9P6LA 04007	/R 04-	1	ID9J						
(14)	955 343 043 11	shock absorber -SACHS- F >>9P6LA 44107	/L	1	ID9K						
(14)	955 343 044 11	shock absorber -SACHS- F >>9P6LA 44107	/R	1	ID9K						
(14)	955 343 043 12	shock absorber -SACHS- F 9P6LA 04008>> F 9P6LA 44108>>	/L	1							
(14)	955 343 044 12	shock absorber -SACHS- F 9P6LA 04008>> F 9P6LA 44108>>	/R	1							
15	N 105 760 01	hexagon-head bolt M 12 X 1,5 X 125		2							
16	N 104 029 01	hexagon nut M 12 X 1,5		2							
		- - - E N D - - -									

Model	Year	MG	SG	Illustration	Restrictions	Update	18:39	16.08.2006	PORSCHE	PET	PORSCHE
9pa	06	4	02	402-01		203					



Pos	Part Number	Name	Remarks	Qty	Model
1	955 343 033 20	springs spring strut spring strut complete see technical manual group 4 43-01 F >>9P4LA 01525	/L 04-	1	ID9J
(1)	955 343 033 21	spring strut complete see technical manual group 4 43-01 F 9P4LA 01526>>9P6LA 04148	/L	1	ID9J
(1)	955 343 033 22	spring strut complete see technical manual group 4 43-01 F 9P6LA 04149>>	/L	1	ID9J
(1) A	955 343 033 42	spring strut complete see technical manual group 4 43-01	/L 03	1	ID9K/ID9L
(1)	955 343 033 43	spring strut complete see technical manual group 4 43-01 F >>9P4LA 48415 F >>9P4LA 83739	/L 04-	1	ID9K/ID9L
(1)	955 343 033 44	spring strut complete see technical manual group 4 43-01 F 9P4LA 48416>>9P6LA 44325 F 9P4LA 83740>>9P6LA 81935	/L	1	ID9K/ID9L
(1)	955 343 033 45	spring strut complete see technical manual group 4 43-01 F 9P6LA 44326>> F 9P6LA 81936>>	/L	1	ID9K/ID9L

Model	Year	MG	SG	Illustration	Restrictions	Update	18:39	16.08.2006	PORSCHE	PET	PORSCHE
9pa	06	4	02	402-01		203					

Pos	Part Number	Name	Remarks	Qty	Model	Pos	Part Number	Name	Remarks	Qty	Model
(1)	955 343 033 50	spring strut complete see technical manual group 4 43-01 F >>9P6LA 81932	/L 05-	1	IE81	(1)	955 343 034 44	spring strut complete see technical manual group 4 43-01 F 9P4LA 48416>>9P6LA 44325 F 9P4LA 83740>>9P6LA 81935	/R	1	ID9K/ID9L
(1)	955 343 033 51	spring strut complete see technical manual group 4 43-01 F 9P6LA 81933>>	/L	1	IE81	(1)	955 343 034 45	spring strut complete see technical manual group 4 43-01 F 9P6LA 44326>> F 9P6LA 81936>>	/R	1	ID9K/ID9L
(1)	955 343 033 51	spring strut complete see technical manual group 4 43-01	/L 06-	1	IE8A	(1)	955 343 034 50	spring strut complete see technical manual group 4 43-01 F >>9P6LA 81932	/R 05-	1	IE81
(1)	955 343 034 20	spring strut complete see technical manual group 4 43-01 F >>9P4LA 01525 F >>9P4LA 21526	/R 04-	1	ID9J	(1)	955 343 034 51	spring strut complete see technical manual group 4 43-01 F 9P6LA 81933>>	/R	1	IE81
(1)	955 343 034 21	spring strut complete see technical manual group 4 43-01 F 9P4LA 01526>>9P6LA 04148	/R	1	ID9J	(1)	955 343 034 51	spring strut complete see technical manual group 4 43-01	/R 06-	1	IE8A
(1)	955 343 034 22	spring strut complete see technical manual group 4 43-01 F 9P6LA 04149>>	/R	1	ID9J	2	955 343 015 30	bearing bracket F >>9P6LA 04148 F >>9P6LA 44325 F >>9P6LA 81932		2	
(1) A	955 343 034 42	spring strut complete see technical manual group 4 43-01	/R 03	1	ID9K/ID9L	(2)	955 343 015 31	bearing bracket F 9P6LA 04149>> F 9P6LA 44326>> F 9P6LA 81933>>		2	
(1)	955 343 034 43	spring strut complete see technical manual group 4 43-01 F >>9P4LA 48415 F >>9P4LA 83739	/R 04-	1	ID9K/ID9L	3	N 101 277 06	hexagon-head bolt M 8 x 26 F >>9P6LA 04148 F >>9P6LA 44325 F >>9P6LA 81932		8	
						(3)	N 101 277 07	hexagon-head bolt M 8 X 26 F 9P6LA 04149>> F 9P6LA 44326>> F 9P6LA 81933>>		8	

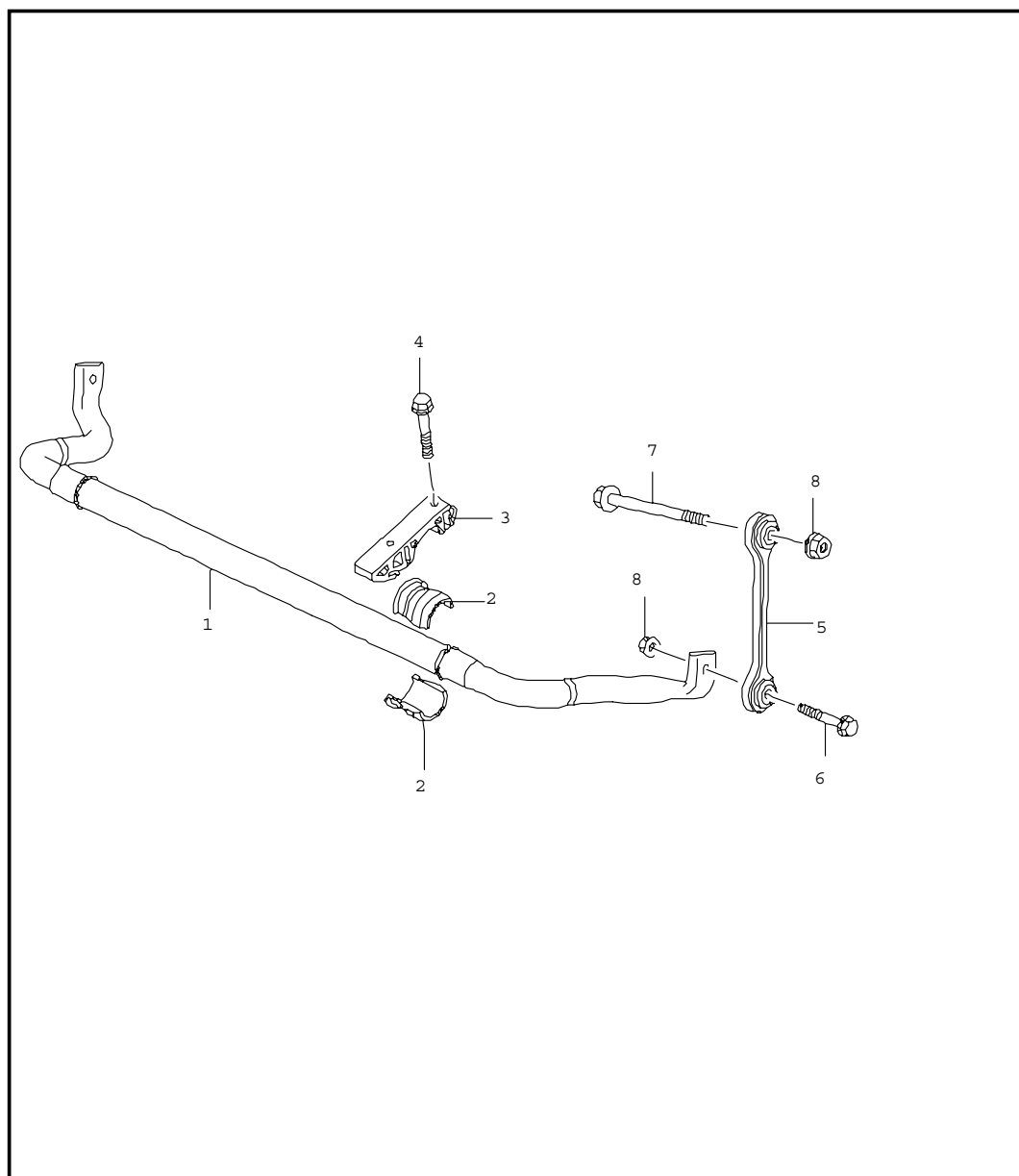
Model	Year	MG	SG	Illustration	Restrictions	Update	18:39	16.08.2006	PORSCHE	PET	PORSCHE
9pa	06	4	02	402-01		203					

Pos	Part Number	Name	Remarks	Qty	Model	Pos	Part Number	Name	Remarks	Qty	Model
4	N 909 664 01	hexagon nut M 12 x 1,5 F >>9P6LA 04148 F >>9P6LA 44325 F >>9P6LA 81932		2		(15)	955 343 044 20	shock absorber -SACHS- F >>9P6LA 04148 F >>9P6LA 44325 F >>9P6LA 81935	/R	1	ID9J/D9K/D9L
(4)	N 909 664 02	hexagon nut M 12 X 1,5 F 9P6LA 04149>> F 9P6LA 44326>> F 9P6LA 81933>>		2		(15)	955 343 044 21	shock absorber -SACHS- F 9P6LA 04149>> F 9P6LA 44326>> F 9P6LA 81936>>	/R	1	ID9J/D9K/D9L
5	955 343 018 10	supporting mount		2		(15)	955 343 043 30	shock absorber -SACHS- F >>9P6LA 81932	/L 05-	1	IE81
6	N 910 956 01	sealing ring 96 x 4		2		(15)	955 343 043 31	shock absorber -SACHS- F 9P6LA 81933>>	/L	1	IE81
7	955 358 403 10	air spring	/L	1	ID9J	(15)	955 343 043 31	shock absorber -SACHS- F 9P6LA 81933>>	/L	1	IE81
(7)	955 358 404 10	air spring	/R	1	ID9J	(15)	955 343 043 31	shock absorber -SACHS- F 9P6LA 81933>>	/L 06-	1	IE8A
(7)	955 358 403 00	air spring	/L	1	ID9K/ID9L	(15)	955 343 044 30	shock absorber -SACHS- F >>9P6LA 81932	/R 05-	1	IE81
(7)	955 358 404 00	air spring	/R	1	ID9K/ID9L	(15)	955 343 044 31	shock absorber -SACHS- F 9P6LA 81933>>	/R	1	IE81
8	955 358 720 00	pressure holding valve with sealing ring		2		(15)	955 343 044 31	shock absorber -SACHS- F 9P6LA 81933>>	/R	1	IE81
9	955 358 722 00	sealing ring 8 x 1,5		2		(15)	955 343 044 31	shock absorber -SACHS- F 9P6LA 81933>>	/R 06-	1	IE8A
10	955 358 541 00	push-on connector air tube		2		16	N 910 400 01	screw AM 10 X 37		6	
11	955 343 301 10	rubber stop		2		17	955 606 076 00	acceleration sensor F >>9P4LA 01525 F >>9P4LA 48415 F >>9P4LA 83739	/L	1	
12	955 358 725 00	clamp		2		(17)	955 606 075 00	acceleration sensor F >>9P4LA 01525 F >>9P4LA 48415 F >>9P4LA 83739	/R	1	
13	955 343 505 10	bellows		2		18	N 904 407 02	hexagon-head bolt M 6 X 15 F >>9P4LA 01525 F >>9P4LA 48415 F >>9P4LA 83739		2	
14	N 904 324 02	sealing ring 70 x 4		2		19	N 023 002 8	hexagon nut M 6 F >>9P4LA 01525 F >>9P4LA 48415 F >>9P4LA 83739		2	
15	955 343 043 20	shock absorber -SACHS- F >>9P6LA 04148 F >>9P6LA 44325 F >>9P6LA 81935	/L	1	ID9J/D9K/D9L						
(15)	955 343 043 21	shock absorber -SACHS- F 9P6LA 04149>> F 9P6LA 44326>> F 9P6LA 81936>>	/L	1	ID9J/D9K/D9L						

Model	Year	MG	SG	Illustration	Restrictions	Update	18:39	16.08.2006	PORSCHE	PET	PORSCHE
9pa	06	4	02	402-01		203					

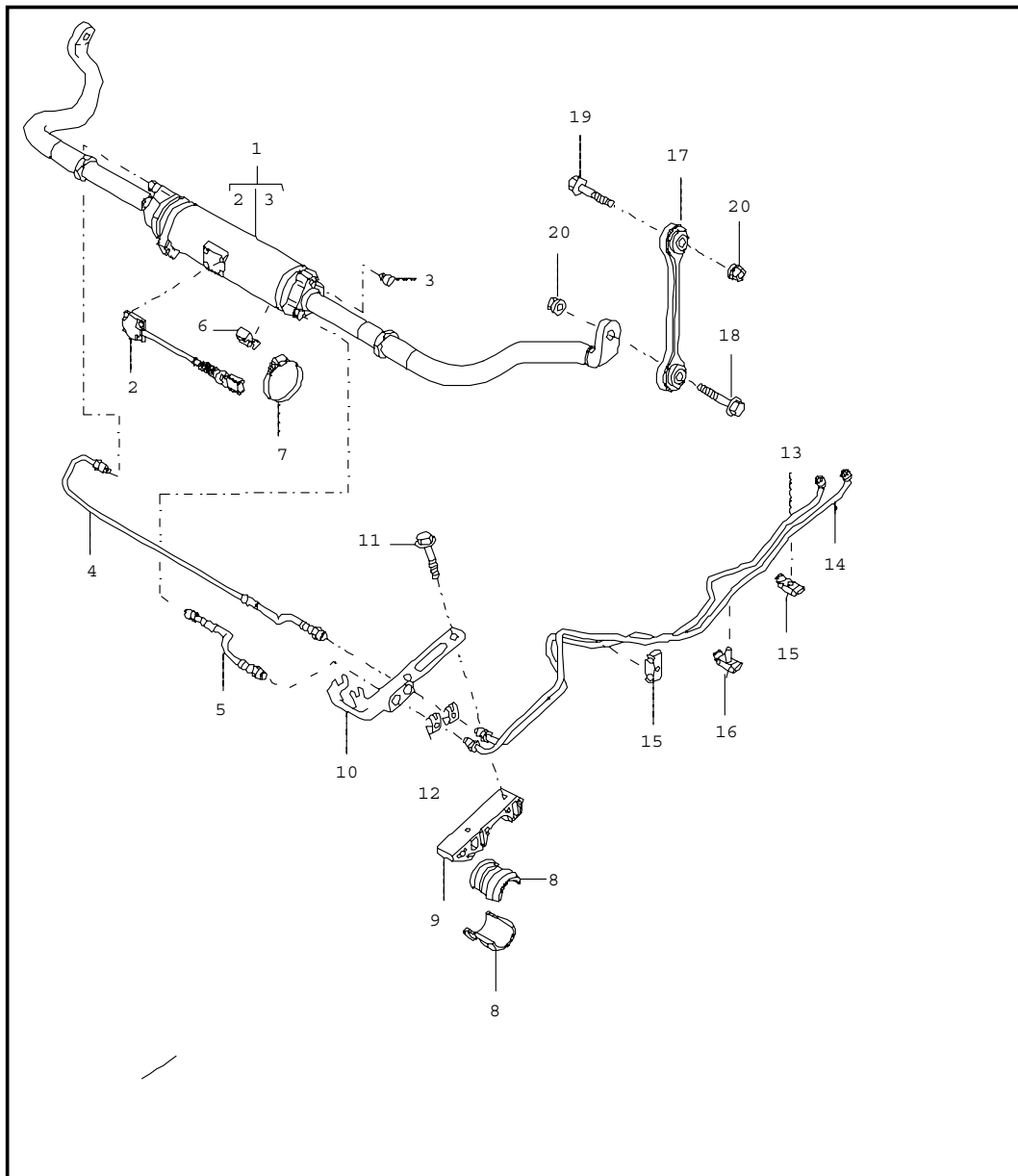
Pos	Part Number	Name	Remarks	Qty	Model	Pos	Part Number	Name	Remarks	Qty	Model
20	N 105 760 01	hexagon-head bolt M 12 X 1,5 X 125		2							
21	N 104 029 01	hexagon nut M 12 X 1,5		2							
22	955 351 117 00	air duct	/L 05-	1	I1LH/IE81						
22	955 351 117 00	air duct	/L 06-	1	I1LH/IE8A						
(22)	955 351 118 00	air duct	/R 05-	1	I1LH/IE81						
(22)	955 351 118 00	air duct	/R 06-	1	I1LH/IE8A						
23	N 105 475 01	torx screw BM 6 X 80 X 37	05-	4	I1LH/IE81						
23	N 105 475 01	torx screw BM 6 X 80 X 37	06-	4	I1LH/IE8A						
24	N 102 058 02	hexagon nut M 6	05-	4	I1LH/IE81						
24	N 102 058 02	hexagon nut M 6	06-	4	I1LH/IE8A						
25	000 043 204 68	grease Syntheso Glep 1 1 50-g tube		1							
		- - - E N D - - -									

Model	Year	MG	SG	Illustration	Restrictions	Update	18:40	16.08.2006	PORSCHE	PET	PORSCHE
9pa	06	4	02	402-05		203					



Pos	Part Number	Name	Remarks	Qty	Model
		stabiliser			I0AB
1	955 343 701 50	stabiliser 37,00 MM marked yellow		1	ID9K/ID9L/ I1BK
(1)	955 343 701 60	stabiliser 38,00 MM marked orange	04-	1	ID9J
(1)	955 343 701 70	stabiliser 38,00 MM marked green		1	ID9K/I1BA
2	955 343 792 50	stabiliser mounting 35,90 MM marked yellow		4	ID9K/ID9L/ I1BK
(2)	955 343 792 61	stabiliser mounting 36,80 MM marked orange green	04-	4	ID9J
(2)	955 343 792 61	stabiliser mounting 36,80 MM marked orange green		4	ID9K/I1BA
3	A 955 343 777 10	clip	03	2	
(3)	955 343 777 11	clip	04-	2	
4	N 104 253 01	hexagon-head bolt M 10 X 62 X 45		4	
5	955 343 069 00	stabiliser mounting		2	
6	N 105 668 01	hexagon-head bolt M 12 X 1,5 X 60		2	
7	N 105 760 01	hexagon-head bolt M 12 X 1,5 X 125		2	
8	N 104 029 01	hexagon nut M 12 X 1,5		4	
- - - E N D - - -					

Model	Year	MG	SG	Illustration	Restrictions	Update	18:40	16.08.2006	PORSCHE	PET	PORSCHE
9pa	06	4	02	402-06		203					

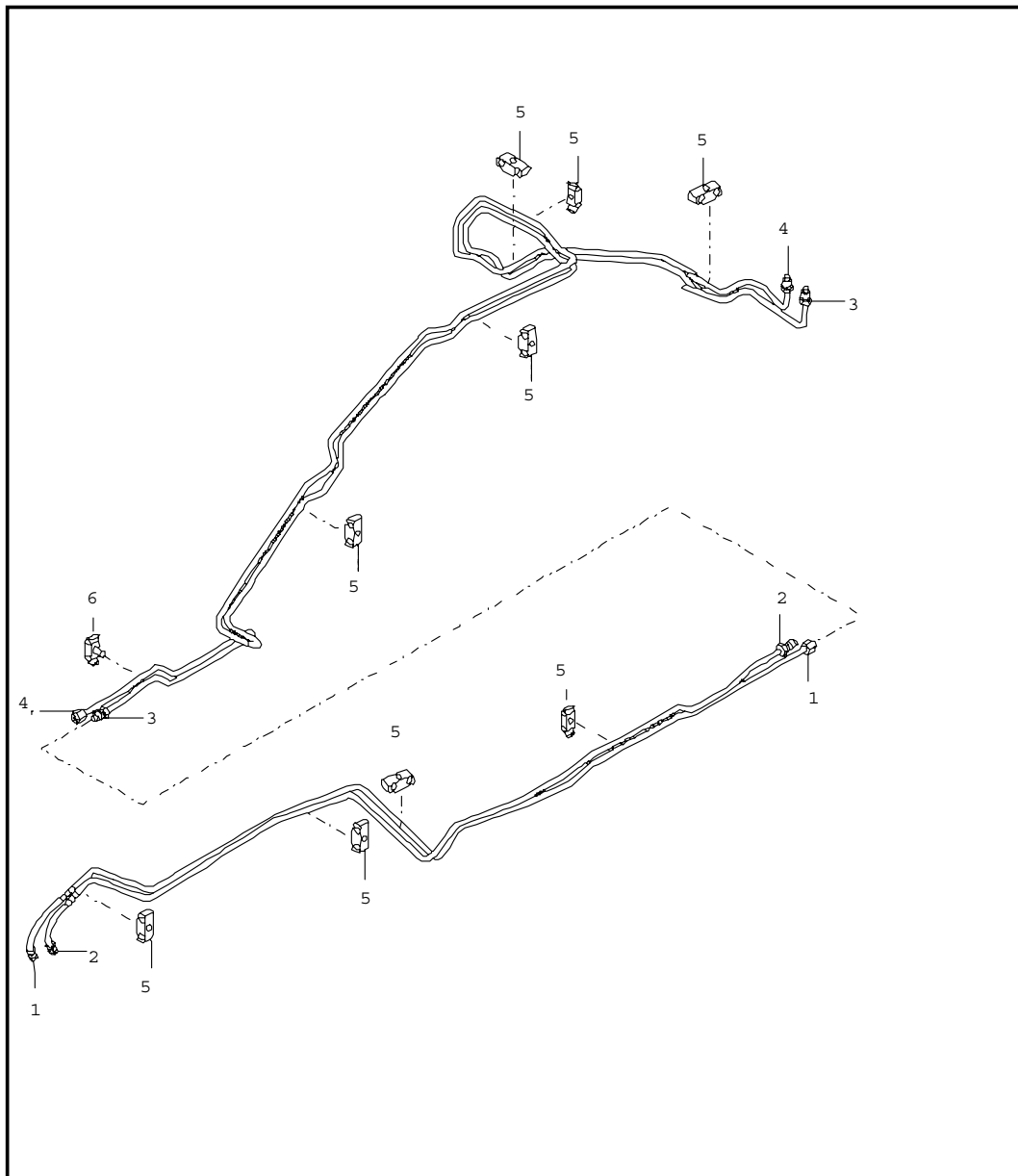


Pos	Part Number	Name	Remarks	Qty	Model
1	955 343 702 00	stabiliser disengageable	04-	1	IOAG
		stabiliser 34,60 MM marked yellow use also: 955.343.110.01 955.343.111.00		1 1	ID9K/ID9L/ I1BK
(1)	955 343 702 10	stabiliser 34,60 MM marked orange use also: 955.343.110.01 955.343.111.00		1 1	ID9J
(1)	955 343 702 20	stabiliser 35,60 MM marked green use also: 955.343.110.01 955.343.111.00		1 1	ID9K/I1BA
2	955 606 415 00	sensor		1	
3	955 343 901 00	ventilation valve with dust boot		2	
4	A 955 343 110 00	hydraulic line		1	
(4)	955 343 110 01	hydraulic line		1	
5	955 343 111 00	hydraulic line		1	
6	955 343 421 00	holder		2	
7	N 024 503 3	hose clamp A 60-80 X 13 X 0,6		2	
8	955 343 792 20	stabiliser mounting 33,50 MM marked white		4	ID9K/ID9L/ I1BK
(8)	955 343 792 20	stabiliser mounting 33,50 MM marked white		4	ID9J

Model	Year	MG	SG	Illustration	Restrictions	Update	18:40	16.08.2006	PORSCHE	PET	PORSCHE
9pa	06	4	02	402-06		203					

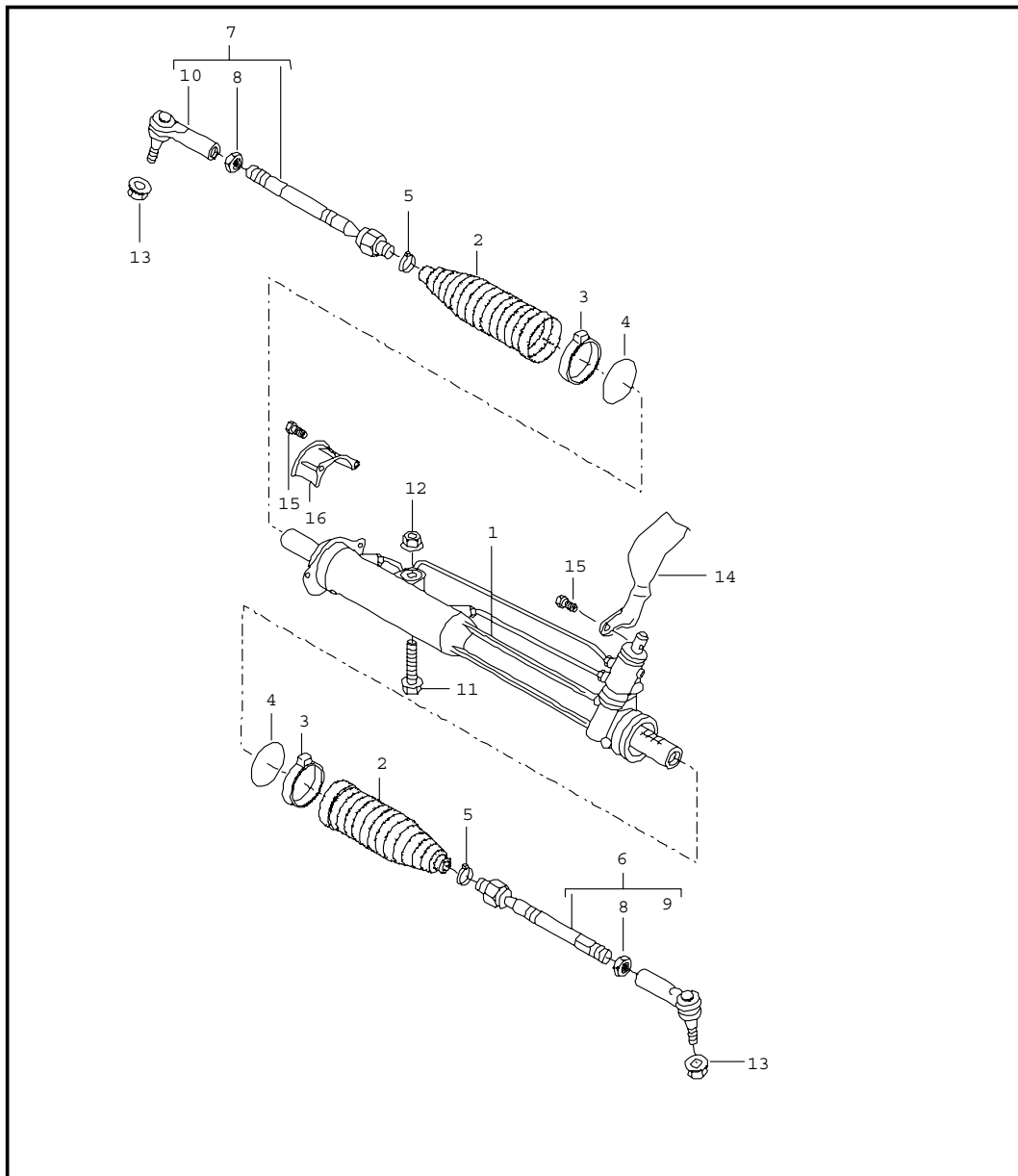
Pos	Part Number	Name	Remarks	Qty	Model	Pos	Part Number	Name	Remarks	Qty	Model
(8)	955 343 792 30	stabiliser mounting 34,50 MM marked blue		4	ID9K/I1BA						
9	955 343 777 11	clip		2							
10	955 343 780 00	support		1							
11	N 104 253 01	hexagon-head bolt M 10 X 62 X 45		4							
12	955 355 322 00	retainer spring		2							
13	955 343 120 00	hydraulic line suspension subframe	04	1							
(13)	955 343 120 01	hydraulic line suspension subframe	05-	1							
14	955 343 121 00	hydraulic line suspension subframe	04	1							
(14)	955 343 121 01	hydraulic line suspension subframe	05-	1							
15 A	955 355 546 00	support		2							
(15)	955 355 546 01	support		2							
16	955 355 543 00	support		1							
17	955 343 069 00	stabiliser mounting		2							
18	N 105 668 01	hexagon-head bolt M 12 X 1,5 X 60		2							
19	N 105 760 01	hexagon-head bolt M 12 X 1,5 X 125		2							
20	N 104 029 01	hexagon nut M 12 X 1,5		4							
		- - - E N D - - -									

Model	Year	MG	SG	Illustration	Restrictions	Update	18:40	16.08.2006	PORSCHE	PET	PORSCHE
9pa	06	4	02	402-07		203					



Pos	Part Number	Name	Remarks	Qty	Model
		hydraulic line underbody stabiliser disengageable	04-		IOAG
1	A 955 343 130 00	hydraulic line suspension subframe connection point underbody	04	1	
(1)	955 343 130 01	hydraulic line suspension subframe connection point underbody	05-	1	
2	A 955 343 131 00	hydraulic line suspension subframe connection point underbody	04	1	
(2)	955 343 131 01	hydraulic line suspension subframe connection point underbody	05-	1	
3	A 955 343 140 00	hydraulic line connection point underbody connection point rear axle	04	1	
(3)	955 343 140 01	hydraulic line connection point underbody connection point rear axle	05-	1	
4	955 343 141 00	hydraulic line connection point underbody connection point rear axle	04	1	
(4)	955 343 141 01	hydraulic line connection point underbody connection point rear axle	05-	1	
5	955 355 543 00	support		9	
6	A 955 355 546 00	support		1	
(6)	955 355 546 01	support		1	
- - - E N D - - -					

Model	Year	MG	SG	Illustration	Restrictions	Update	18:40	16.08.2006	PORSCHE	PET	PORSCHE
9pa	06	4	03	403-00		203					

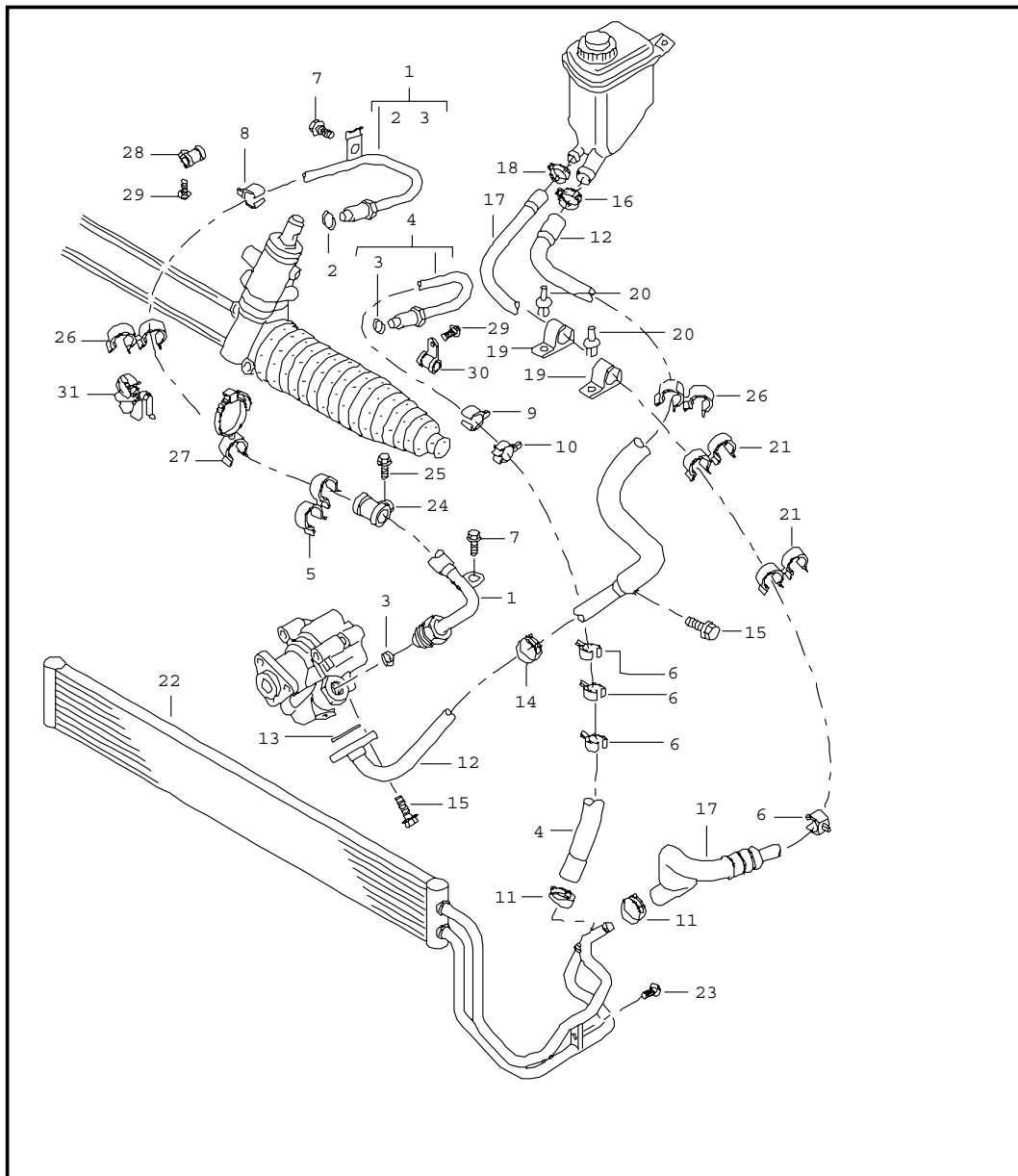


Pos	Part Number	Name	Remarks	Qty	Model
		power steering steering gear steering parts			
1	A 955 347 011 04	steering gear power steering	/LL	1	I1N1
(1)	A 955 347 011 06	steering gear power steering	/LL	1	I1N1
(1)	955 347 011 08	steering gear power steering	/LL	1	I1N1
(1)	A 955 347 011 05	steering gear servotronic	/LL	1	I1N3
(1)	A 955 347 011 07	steering gear servotronic	/LL	1	I1N3
(1)	A 955 347 011 09	steering gear servotronic	/LL	1	I1N3
(1)	955 347 011 11	steering gear servotronic	/LL	1	I1N3
(1)	A 955 347 012 04	steering gear power steering	/RL	1	I1N1
(1)	955 347 012 06	steering gear power steering F >>9P4L0 03131 F >>9P4L0 02974 F >>9P4L0 03303 see technical information group 4 NR. 8/04	/RL 04	1	I1N1
(1)	955 347 012 08	steering gear power steering F 9P4L0 03132>> F 9P4L0 02975>> F 9P4L0 03304>> see technical information group 4 NR. 8/04	/RL 04	1	I1N1
(1)	955 347 012 10	steering gear power steering	/RL 05-	1	I1N1
(1)	A 955 347 012 05	steering gear servotronic	/RL 03	1	I1N3

Model	Year	MG	SG	Illustration	Restrictions	Update	18:40	16.08.2006	PORSCHE	PET	PORSCHE
9pa	06	4	03	403-00		203					

Pos	Part Number	Name	Remarks	Qty	Model	Pos	Part Number	Name	Remarks	Qty	Model
(1)	955 347 012 07	steering gear servotronic F >>9P4L0 03139 F >>9P4L0 02970 F >>9P4L0 03297 see technical information group 4 NR. 8/04	/RL 04	1	I1N3	(7)	955 347 032 50	tie rod with ball joint	/R 05-	1	IE81
(1)	955 347 012 09	steering gear servotronic F 9P4L0 03140>> F 9P4L0 02971>> F 9P4L0 03298>> see technical information group 4 NR. 8/04	/RL 04	1	I1N3	(7)	955 347 032 50	tie rod with ball joint	/R 06-	1	IE8A
(1)	955 347 012 11	steering gear servotronic	/RL 05-	1	I1N3	8	N 011 164 15	hexagon nut M 16 X 1,5		2	
(1) U	955 347 012 13	steering gear servotronic	/RL	1	I1N3	(8)	955 347 341 00	hexagon nut M 16 X 1,5	05-	2	IE81
2	955 347 191 10	bellows		2		(8)	955 347 341 00	hexagon nut M 16 X 1,5	06-	2	IE8A
3	N 105 517 01	hose clamp		2		9	A 955 347 131 20	ball joint	/L	1	
4	N 901 809 02	o-ring		2		(9)	955 347 131 21	ball joint	/L	1	
5	955 347 645 00	clip		2		10	A 955 347 132 20	ball joint	/R	1	
6	A 955 347 031 20	tie rod with ball joint	/L	1		(10)	955 347 132 21	ball joint	/R	1	
(6)	955 347 031 21	tie rod with ball joint	/L	1		11	N 104 280 01	hexagon-head bolt M 12 X 1,5 X 80		2	
(6)	955 347 031 50	tie rod with ball joint	/L 05-	1	IE81	12	N 104 029 01	hexagon nut M 12 X 1,5		2	
(6)	955 347 031 50	tie rod with ball joint	/L 06-	1	IE8A	13	N 909 771 01	hexagon nut M 14 X 1,5		2	
7	A 955 347 032 20	tie rod with ball joint	/R	1		14	A 955 347 201 00	heat protection	/LL	1	ID9K/ID9L
(7)	955 347 032 21	tie rod with ball joint	/R	1		(14)	955 347 201 01	heat protection	/LL	1	ID9K/ID9L
						(14)	955 347 202 10	heat protection	/RL	1	
						15	N 101 711 02	hexagon-head bolt M 6 X 16		4	
						16	955 347 203 00	heat protection bellows		1	
								- - - E N D - - -			

Model	Year	MG	SG	Illustration	Restrictions	Update	18:40	16.08.2006	PORSCHE	PET	PORSCHE
9pa	06	4	03	403-01		203					



Pos	Part Number	Name	Remarks	Qty	Model
		power steering lines oil cooler			
1	A 955 347 451 00	pressure line	/LL	1	ID9K/ID9L
(1)	955 347 451 01	pressure line	/LL	1	ID9K/ID9L
(1)	A 955 347 451 11	pressure line	/LL	1	ID9J
(1)	955 347 451 12	pressure line	/LL	1	ID9J
(1)	955 347 452 00	pressure line F >>9P4L0 02970 F >>9P4L0 03297 see technical information group 4 NR. 8/04	/RL	1	ID9K/ID9L
(1)	955 347 452 01	pressure line F 9P4L0 02971>> F 9P4L0 03298>> see technical information group 4 NR. 8/04	/RL	1	ID9K/ID9L
(1)	955 347 452 02	pressure line	/RL 05-	1	ID9K/ID9L
(1)	955 347 452 10	pressure line F >>9P4L0 03131 see technical information group 4 NR. 8/04	/RL	1	ID9J
(1)	955 347 452 11	pressure line F 9P4L0 03132>> see technical information group 4 NR. 8/04	/RL	1	ID9J
(1)	955 347 452 12	pressure line	/RL 05-	1	ID9J
2	955 347 542 00	o-ring 9,25 X 1,78		1	
3	955 347 543 00	o-ring 7,65 X 1,63		2	
4	955 347 449 00	return line	/LL	1	

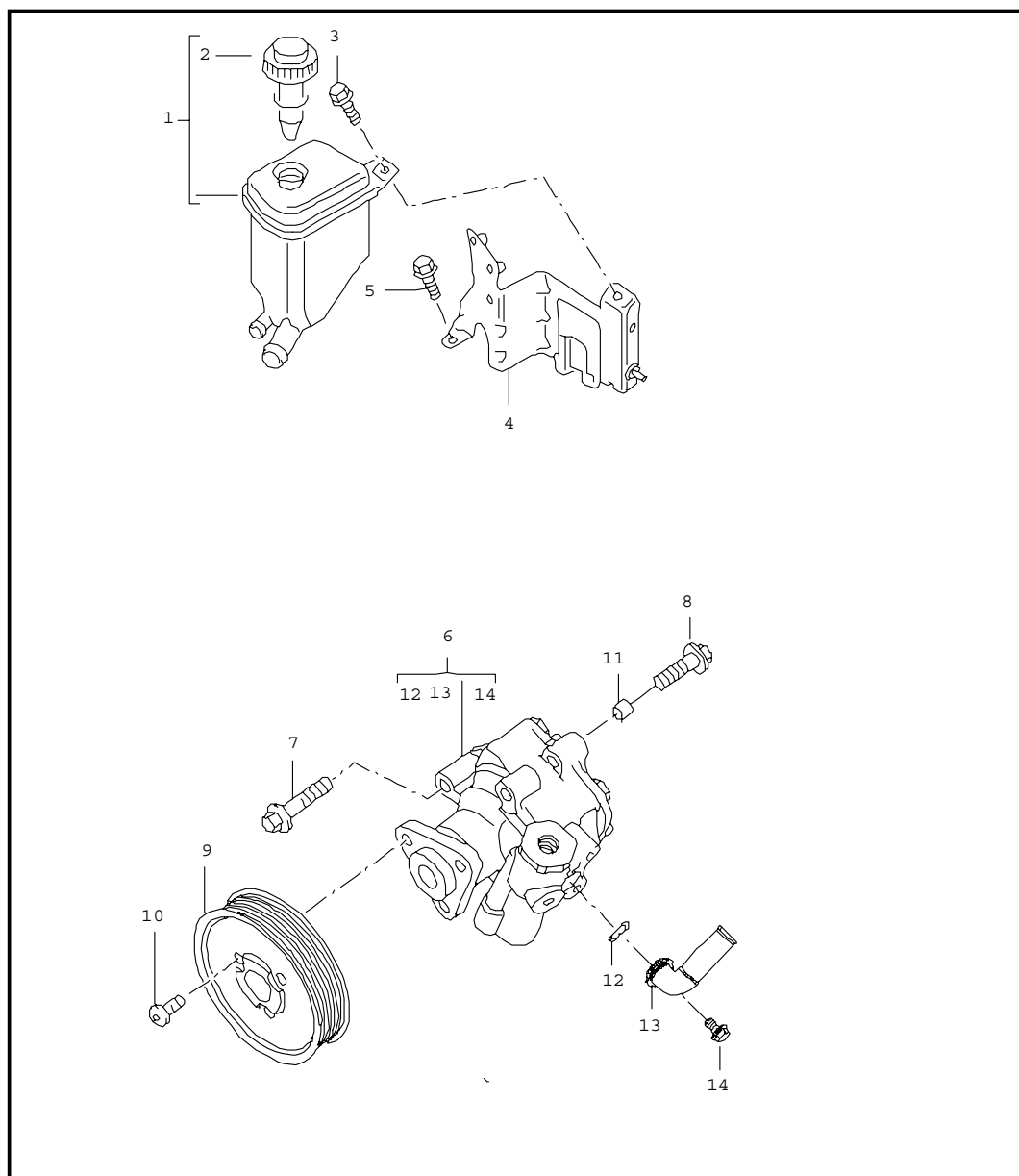
Model	Year	MG	SG	Illustration	Restrictions	Update	18:40	16.08.2006	PORSCHE	PET	PORSCHE
9pa	06	4	03	403-01		203					

Pos	Part Number	Name	Remarks	Qty	Model	Pos	Part Number	Name	Remarks	Qty	Model
(4)	955 347 450 00	return line F >>9P4L0 03131 F >>9P4L0 02970 F >>9P4L0 03297 see technical information group 4 NR. 8/04	/RL	1		10	955 347 571 00	clip C 15,8 - 18,3 F >>9P4L0 03131 F >>9P4L0 02970 F >>9P4L0 03297 see technical information group 4 NR. 8/04	/RL	1	
(4)	955 347 450 01	return line F 9P4L0 03132>> F 9P4L0 02971>> F 9P4L0 03298>> see technical information group 4 NR. 8/04	/RL	1		(10)	N 106 368 01	hose holder A 14-17 X C 12-6,5 F 9P4L0 03132>> F 9P4L0 02971>> F 9P4L0 03298>> see technical information group 4 NR. 8/04	/RL	1	
5	N 104 711 01	hose holder A01-18 X C02-18 pressure line refrigerant line	/LL04-05	1	ID9J	11	N 909 264 01	hose clamp B 19 X 12		2	
(5)	N 104 711 01	hose holder A01-18 X C02-18 pressure line refrigerant line	/LL 06-	1	ID9J/9AB/9AD	12	955 347 442 00	intake pipe	-05	1	ID9K/ID9L
6	N 909 435 01	hose holder 12 MM		4		(12)	955 347 442 01	intake pipe	06-	1	ID9K/ID9L
7	N 101 563 02	hexagon-head bolt M 6 X 12	/LL	2	ID9K/ID9L	(12)	955 347 443 02	suction hose	04-05	1	ID9J
(7)	N 101 563 02	hexagon-head bolt M 6 X 12	/LL 04-	1	ID9J	--	N 102 752 01	holder A01-19 X C01-9,5 suction hose refrigerant line	06-	1	ID9J/9AB/9AD
(7)	N 101 563 02	hexagon-head bolt M 6 X 12	/RL	1	ID9K/ID9L	--	N 106 816 01	holder A12-16 X C01-22 suction hose refrigerant line	06-	1	ID9J/I9AH
8	N 909 435 01	hose holder 12 MM F >>9P4L0 03131 F >>9P4L0 02970 F >>9P4L0 03297 see technical information group 4 NR. 8/04	/RL	1		--	N 106 842 01	holder A12-16 X C01-22 X E04-10 suction hose refrigerant line	/RL 06-	1	ID9J
9	999 651 199 40	cable holder 8,00 - 10,00 F >>9P4L0 03131 F >>9P4L0 02970 F >>9P4L0 03297 see technical information group 4 NR. 8/04	/RL	1		13	N 909 816 01	o-ring 15,8 X 2,4		1	ID9K/ID9L
						14	N 906 869 01	hose clamp B 23 X 12	04-	1	ID9J
						15	N 101 563 02	hexagon-head bolt M 6 X 12		3	ID9K/ID9L
						16	N 906 870 01	hose clamp B 27 X 12		1	

Model	Year	MG	SG	Illustration	Restrictions	Update	18:40	16.08.2006	PORSCHE	PET	PORSCHE
9pa	06	4	03	403-01		203					

Pos	Part Number	Name	Remarks	Qty	Model	Pos	Part Number	Name	Remarks	Qty	Model
17	955 347 439 00	return line		1		27	N 106 367 01	hose holder A 05-8X259 X C01-16	/RL	1	
18	955 347 569 00	hose clamp 21 X 12		1				F 9P4L0 03132>> F 9P4L0 02971>> F 9P4L0 03298>>			
19	955 347 578 00	holder		2				see technical information group 4 NR. 8/04			
20	N 038 501 2	expansion rivet A 6,00 X 12,00		2							
21	955 347 575 00	holder return line refrigerant line		2		28	N 020 601 4	clamp 12 X 15 F 9P4L0 03132>> F 9P4L0 02971>> F 9P4L0 03298>> see technical information group 4 NR. 8/04	/RL	1	
22	A 955 347 069 00	oil cooler power steering		1							
(22)	A 955 347 069 01	oil cooler power steering		1		29	N 904 407 02	hexagon-head bolt M 6 X 15 F 9P4L0 03132>> F 9P4L0 02971>> F 9P4L0 03298>> see technical information group 4 NR. 8/04	/RL	2	
(22)	955 347 069 02	oil cooler power steering		1							
23	N 104 514 04	lens-head screw M 6 X 16		1							
24	N 020 651 5	clamp 10 X 15		1	ID9K/ID9L	-	N 015 082 5	hexagon nut M 6 F >>9P4L0 03131 F >>9P4L0 02970 F >>9P4L0 03297 see technical information group 4 NR. 8/04	/RL	2	
25	N 101 563 02	hexagon-head bolt M 6 X 12		1	ID9K/ID9L						
26	N 104 421 01	hose holder A01-18 X C01-22 suction hose	04-05	1	ID9J						
(26)	N 104 421 01	hose holder A01-18 X C01-22 suction hose pressure line	/LL 06-	1	ID9J	30	N 020 651 5	clamp 10 X 15 F 9P4L0 03132>> F 9P4L0 02971>> F 9P4L0 03298>> see technical information group 4 NR. 8/04	/RL	1	
(26)	N 104 421 01	hose holder A01-18 X C01-22 pressure line refrigerant line	/LL04-05	1	ID9J/9AB/9AH						
(26)	N 104 421 01	hose holder A01-18 X C01-22 pressure line refrigerant line	/LL 06-	1	ID9J/9AB/9AD	31	955 347 576 00	holder pressure line front-axle final drive - - - E N D - - -	/LL	1	ID9K/ID9L

Model	Year	MG	SG	Illustration	Restrictions	Update	18:41	16.08.2006	PORSCHE	PET	PORSCHE
9pa	06	4	03	403-03		203					

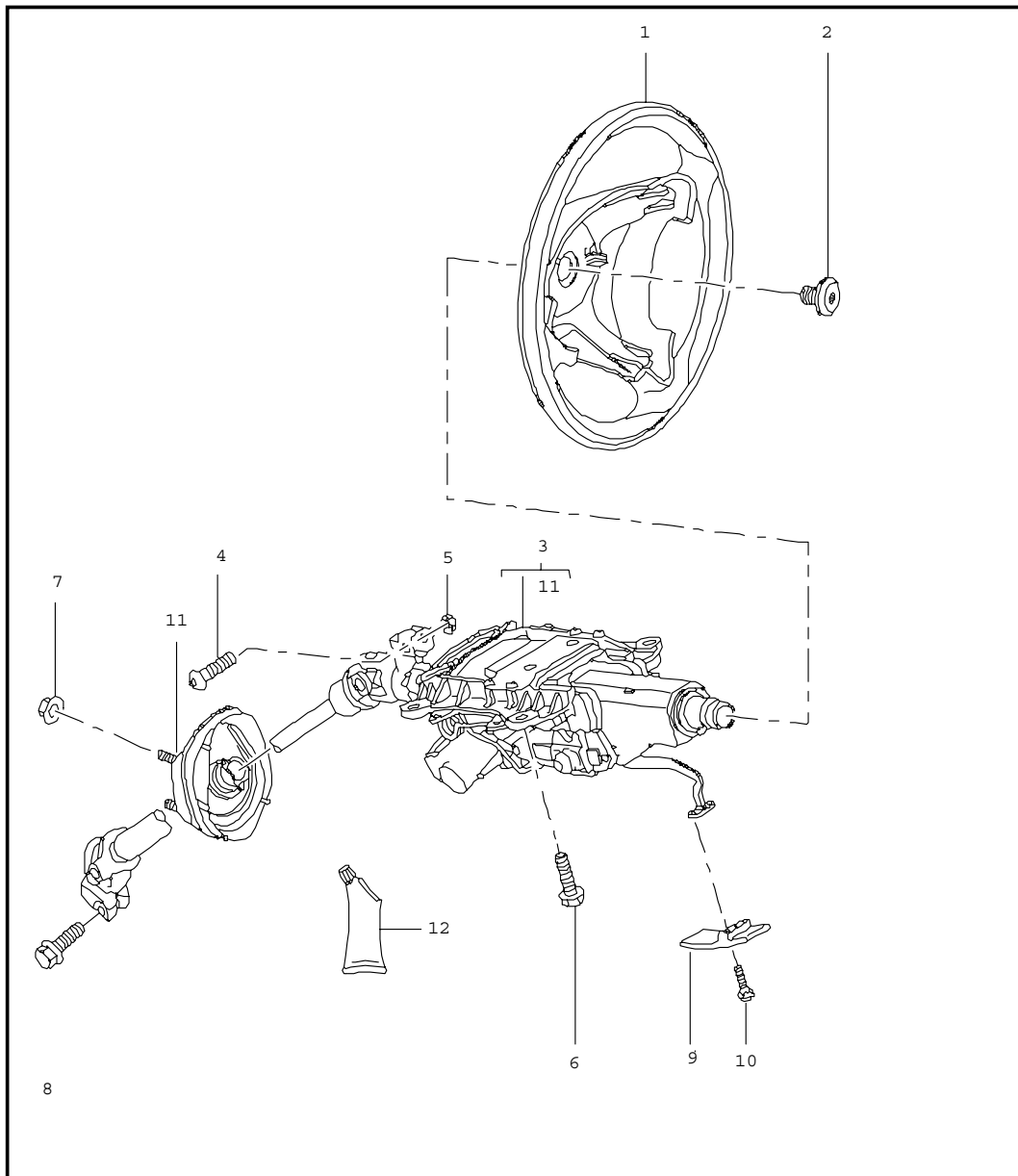


Pos	Part Number	Name	Remarks	Qty	Model
		power steering power-steering pump oil tank see technical information group 4 NR. 5/03			
1	955 314 015 00	oil tank		1	I1N1
(1)	955 314 015 10	oil tank		1	I1N3
2	955 314 145 00	threaded cover		1	
3	N 101 563 06	hexagon-head bolt M 6 X 12		1	
4	955 314 210 11	support		1	
5	N 101 563 02	hexagon-head bolt M 6 X 12		3	
6	A 955 314 050 01	power-steering pump		1	ID9J
(6)	A 955 314 050 02	power-steering pump		1	ID9J
(6)	955 314 050 03	power-steering pump	-05	1	ID9J
(6)	955 314 050 04	power-steering pump	06-	1	ID9J
(6)	948 314 050 04	power-steering pump		1	M48.00/50
7	900 385 006 09	torx screw M 8 X 35		3	M48.00/50
(7)	N 019 531 3	hexagon-head bolt AM 8 X 40	04-	2	ID9J
8	900 385 006 09	torx screw M 8 X 35		1	M48.00/50
(8)	N 019 531 3	hexagon-head bolt AM 8 X 40	04-	1	ID9J
9	948 147 019 01	pulley		1	M48.00/50
(9)	955 147 219 00	pulley	04-	1	ID9J
10	999 073 104 09	oval-head screw M 8 X 16		3	M48.00/50
(10)	N 903 086 05	pan-head screw M 8 X 14	04-	3	ID9J

Model	Year	MG	SG	Illustration	Restrictions	Update	18:41	16.08.2006	PORSCHE	PET	PORSCHE
9pa	06	4	03	403-03		203					

Pos	Part Number	Name	Remarks	Qty	Model	Pos	Part Number	Name	Remarks	Qty	Model
11	999 209 055 09	spacer sleeve 8,6 X 4,2 X 18		1	M48.00/50						
12	N 909 816 01	o-ring 15,8 x 2,4		1	ID9J						
13	955 314 157 10	intake connection	-05	1	ID9J						
(13)	955 314 157 00	intake connection	06-	1	ID9J						
14	N 101 563 07	hexagon-head bolt M 6 x 12		1	ID9J						
-	000 043 203 33	pentosin CHF 11S 1 LITER	-05	X							
-	000 043 206 56	pentosin CHF 202 1 LITER	06-	X							
		- - - E N D - - -									

Model	Year	MG	SG	Illustration	Restrictions	Update	18:41	16.08.2006	PORSCHE	PET	PORSCHE
9pa	06	4	03	403-05		203					



Pos	Part Number	Name	Remarks	Qty	Model
		steering wheels steering column steering shaft			
1	955 347 804 00	steering wheel leather	-05	1	I2PM
	5Z3	black			
	6P1	stone grey			
	6Q2	havanna			
	6R3	palmgreen			
(1)	955 347 804 01	steering wheel leather	06-	1	I2PM
	5Z3	black			
	6P1	stone grey			
	6Q2	havanna			
	6R3	palmgreen			
	4P8	sand beige			
(1)	955 347 804 10	steering wheel leather heated	-05	1	I2PH
	5Z3	black			
	6P1	stone grey			
	6Q2	havanna			
	6R3	palmgreen			
(1)	955 347 804 11	steering wheel leather heated	06-	1	I2PH
	5Z3	black			
	6P1	stone grey			
	6Q2	havanna			
	6R3	palmgreen			
	4P8	sand beige			
(1)	955 347 804 70	steering wheel leather heated	06-	1	IE8A/I2PH

Model	Year	MG	SG	Illustration	Restrictions	Update	18:41	16.08.2006	PORSCHE	PET	PORSCHE
9pa	06	4	03	403-05		203					

Pos	Part Number	Name	Remarks	Qty	Model	Pos	Part Number	Name	Remarks	Qty	Model
	5Z3	black					6Q2	havanna			
	6P1	stone grey					6R3	palmgreen			
	6Q2	havanna					4P8	sand beige			
	6R3	palmgreen				(1)	955 347 804 80	steering wheel	06-	1	IE8A/2PH/4LB I4LC
	4P8	sand beige						leather heated multiple function			
(1)	955 347 804 20	steering wheel leather multiple function	-05	1	I2PM/4LB/4LC		5Z3	black			
	5Z3	black					6P1	stone grey			
	6P1	stone grey					6Q2	havanna			
	6Q2	havanna					6R3	palmgreen			
	6R3	palmgreen					4P8	sand beige			
(1)	955 347 804 21	steering wheel leather multiple function	06-	1	I2PM/4LB/4LC	(1)	955 347 804 40	steering wheel rootwood dark multiple function	-05	1	I1XJ/4LB/4LC
	5Z3	black					PBA	black			
	6P1	stone grey					PBB	stone grey			
	6Q2	havanna					PBC	palmgreen			
	6R3	palmgreen					PBD	havanna			
	4P8	sand beige				(1)	955 347 804 41	steering wheel rootwood dark multiple function	06-	1	I1XJ/4LB/4LC
(1)	955 347 804 30	steering wheel leather heated multiple function	-05	1	I2PH/4LB/4LC		PBA	black			
	5Z3	black					PBB	stone grey			
	6P1	stone grey					PBC	palmgreen			
	6Q2	havanna					PBD	havanna			
	6R3	palmgreen					TXB	sand beige			
(1)	955 347 804 31	steering wheel leather heated multiple function	06-	1	I2PH/4LB/4LC	(1)	955 347 804 50	steering wheel olive grain light multiple function	-05	1	I1XK/4LB/4LC
	5Z3	black					PBE	black			
	6P1	stone grey					PBF	stone grey			

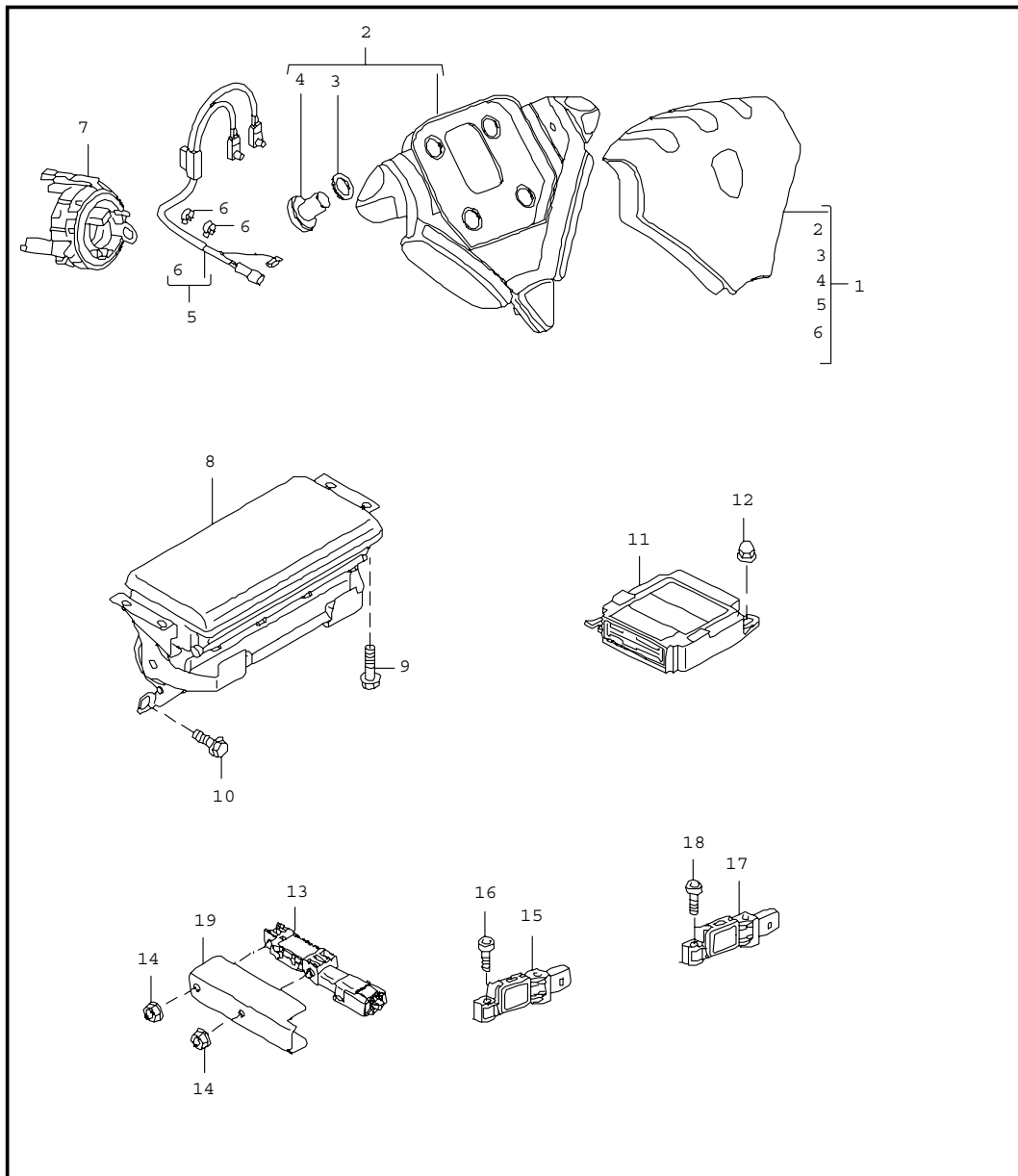
Model	Year	MG	SG	Illustration	Restrictions	Update	18:41	16.08.2006	PORSCHE	PET	PORSCHE
9pa	06	4	03	403-05		203					

Pos	Part Number	Name	Remarks	Qty	Model	Pos	Part Number	Name	Remarks	Qty	Model
		PBG palmgreen				(3) A	955 347 007 03	steering column complete with steering shaft	/LL	1	I2C5
		PBH havanna									
(1)	955 347 804 51	steering wheel olive grain light multiple function	06-	1	I1XK/4LB/4LC	(3)	955 347 007 04	steering column complete with steering shaft	/LL -04	1	I2C5
		PBE black				(3)	955 347 007 05	steering column complete with steering shaft	/LL 05	1	I2C5
		PBF stone grey									
		PBG palmgreen									
		PBH havanna				(3)	955 347 007 06	steering column complete with steering shaft	/LL 06-	1	I2C5
		TXA sand beige									
(1)	955 347 804 60	steering wheel olive grain light mat multiple function	-05	1	I2FV/4LB/4LC	(3) A	955 347 007 11	steering column complete with steering shaft	/LL	1	I2C4
		RRY black				(3) A	955 347 007 12	steering column complete with steering shaft	/LL	1	I2C4
		RRZ stone grey									
		RSZ palmgreen									
		RTZ havanna				(3)	955 347 007 13	steering column complete with steering shaft	/LL -04	1	I2C4
(1)	955 347 804 61	steering wheel olive grain light mat multiple function	06-	1	I2FV/4LB/4LC	(3)	955 347 007 14	steering column complete with steering shaft	/LL 05	1	I2C4
		RRY black				(3)	955 347 007 16	steering column complete with steering shaft	/LL 06-	1	I2C4
		RRZ stone grey									
		RSZ palmgreen									
		RTZ havanna				(3) A	955 347 008 02	steering column complete with steering shaft	/RL	1	I2C5
		TXC sand beige									
2	N 910 207 01	screw M 18 X 1,5 X 26		1		(3) A	955 347 008 03	steering column complete with steering shaft	/RL	1	I2C5
3	A 955 347 007 02	steering column complete with steering shaft	/LL	1	I2C5						

Model	Year	MG	SG	Illustration	Restrictions	Update	18:41	16.08.2006	PORSCHE	PET	PORSCHE
9pa	06	4	03	403-05		203					

Pos	Part Number	Name	Remarks	Qty	Model	Pos	Part Number	Name	Remarks	Qty	Model
(3)	A 955 347 008 04	steering column complete with steering shaft	/RL	1	I2C5	10	N 104 066 01	oval-head screw M 5 X 8		2	I2C5
(3)	955 347 008 05	steering column complete with steering shaft	/RL -05	1	I2C5	11	955 347 037 02	sealing sleeve		1	
(3)	955 347 008 06	steering column complete with steering shaft	/RL 06-	1	I2C5	12	999 917 557 00	grease 30 ML		X	
(3)	A 955 347 008 11	steering column complete with steering shaft	/RL	1	I2C4	(12)	000 043 205 44	grease 1 tube 10 GR.		X	
(3)	A 955 347 008 12	steering column complete with steering shaft	/RL	1	I2C4			- - - E N D - - -			
(3)	A 955 347 008 13	steering column complete with steering shaft	/RL	1	I2C4						
(3)	955 347 008 14	steering column complete with steering shaft	/RL -05	1	I2C4						
(3)	955 347 008 16	steering column complete with steering shaft	/RL 06-	1	I2C4						
4	N 909 890 01	oval-head screw M 8 X 10 X 45		1							
5	N 023 003 8	hexagon nut M 8		1							
6	N 906 823 01	hexagon-head bolt M 8 X 28		4							
7	N 908 877 01	hexagon nut M 6		3							
8	N 909 784 01	hexagon-head bolt M 10 X 35		1							
9	955 347 234 20	handle		1	I2C5						

Model	Year	MG	SG	Illustration	Restrictions	Update	18:41	16.08.2006	PORSCHE	PET	PORSCHE
9pa	06	4	03	403-06		203					



Pos	Part Number	Name	Remarks	Qty	Model
1	A 955 803 074 00	airbag airbag unit plastic material	04	1	I2PM/GOL/4N1
		2Y7 black			
		2Z1 stone grey			
		3U9 havanna			
		3X8 palmgreen			
(1)	A 955 803 074 01	airbag unit plastic material	05	1	I2PM/GOL/4N1
		2Y7 black			
		2Z1 stone grey			
		3U9 havanna			
		3X8 palmgreen			
(1)	955 803 074 02	airbag unit plastic material	06-	1	I2PM/GOL/4N1
		2Y7 black			
		2Z1 stone grey			
		3U9 havanna			
		3X8 palmgreen			
(1)	A 955 803 074 10	airbag unit plastic material	-04	1	I2PM/GOR/4N1
		2Y7 black			
		2Z1 stone grey			
		3U9 havanna			
		3X8 palmgreen			
(1)	A 955 803 074 11	airbag unit plastic material	05	1	I2PM/GOR/4N1
		2Y7 black			
		2Z1 stone grey			
		3U9 havanna			
		3X8 palmgreen			

Model	Year	MG	SG	Illustration	Restrictions	Update	18:41	16.08.2006	PORSCHE	PET	PORSCHE
9pa	06	4	03	403-06		203					

Pos	Part Number	Name	Remarks	Qty	Model	Pos	Part Number	Name	Remarks	Qty	Model
(1)	955 803 074 12	airbag unit plastic material	06-	1	I2PM/G0R/4N1		2Y7	black			
		2Y7 black					2Z1	stone grey			
		2Z1 stone grey					3U9	havanna			
		3U9 havanna					3X8	palmgreen			
		3X8 palmgreen				(1)	955 803 074 32	airbag unit plastic material	06-	1	I2PH/G0R/4N1
(1)	955 803 074 20	airbag unit plastic material	04	1	I2PH/G0L/4N1		2Y7	black			
		2Y7 black					2Z1	stone grey			
		2Z1 stone grey					3U9	havanna			
		3U9 havanna					3X8	palmgreen			
		3X8 palmgreen				(1) A	955 803 075 00	airbag unit leather	04	1	I2PM/G0L/4N8
(1) A	955 803 074 21	airbag unit plastic material	05	1	I2PH/G0L/4N1		5Z3	black			
		2Y7 black					6P1	stone grey			
		2Z1 stone grey					6Q2	havanna			
		3U9 havanna					6R3	palmgreen			
		3X8 palmgreen				(1) A	955 803 075 01	airbag unit leather	05	1	I2PM/G0L/4N8
(1)	955 803 074 22	airbag unit plastic material	06-	1	I2PH/G0L/4N1		5Z3	black			
		2Y7 black					6P1	stone grey			
		2Z1 stone grey					6Q2	havanna			
		3U9 havanna					6R3	palmgreen			
		3X8 palmgreen				(1) A	955 803 075 10	airbag unit leather	-04	1	I2PM/G0R/4N8
(1) A	955 803 074 30	airbag unit plastic material	-04	1	I2PH/G0R/4N1		5Z3	black			
		2Y7 black					6P1	stone grey			
		2Z1 stone grey					6Q2	havanna			
		3U9 havanna					6R3	palmgreen			
		3X8 palmgreen				(1)	955 803 075 11	airbag unit leather	05	1	I2PM/G0R/4N8
(1)	955 803 074 31	airbag unit plastic material	05	1	I2PH/G0R/4N1		5Z3	black			
							6P1	stone grey			

Model	Year	MG	SG	Illustration	Restrictions	Update	18:41	16.08.2006	PORSCHE	PET	PORSCHE
9pa	06	4	03	403-06		203					

Pos	Part Number	Name	Remarks	Qty	Model	Pos	Part Number	Name	Remarks	Qty	Model
	6Q2	havanna					4P8	sand beige			
	6R3	palmgreen				(1)	955 803 075 12	airbag unit leather	06-	1	I2PM/G0R/4N8
(1)	A 955 803 075 20	airbag unit leather	04	1	I2PH/G0L/4N8		5Z3	black			
	5Z3	black					6P1	stone grey			
	6P1	stone grey					6Q2	havanna			
	6Q2	havanna					6R3	palmgreen			
	6R3	palmgreen					4P8	sand beige			
(1)	A 955 803 075 21	airbag unit leather	05	1	I2PH/G0L/4N8	(1)	955 803 075 22	airbag unit leather	06-	1	I2PH/G0L/4N8
	5Z3	black					5Z3	black			
	6P1	stone grey					6P1	stone grey			
	6Q2	havanna					6Q2	havanna			
	6R3	palmgreen					6R3	palmgreen			
(1)	A 955 803 075 30	airbag unit leather	-04	1	I2PH/G0R/4N8		4P8	sand beige			
	5Z3	black				(1)	955 803 075 32	airbag unit leather	06-	1	I2PH/G0R/4N8
	6P1	stone grey					5Z3	black			
	6Q2	havanna					6P1	stone grey			
	6R3	palmgreen					6Q2	havanna			
(1)	955 803 075 31	airbag unit leather	05	1	I2PH/G0R/4N8		6R3	palmgreen			
	5Z3	black					4P8	sand beige			
	6P1	stone grey				(1)	A 955 803 076 00	airbag unit	04	1	I2PM/1XJ/1XK I2FV/G0L/4N1 I4LB
	6Q2	havanna						plastic material multiple function radio			
	6R3	palmgreen					2Y7	black			
(1)	955 803 075 02	airbag unit leather	06-	1	I2PM/G0L/4N8		2Z1	stone grey			
	5Z3	black					3U9	havanna			
	6P1	stone grey					3X8	palmgreen			
	6Q2	havanna									
	6R3	palmgreen									

Model	Year	MG	SG	Illustration	Restrictions	Update	18:41	16.08.2006	PORSCHE	PET	PORSCHE
9pa	06	4	03	403-06		203					

Pos	Part Number	Name	Remarks	Qty	Model	Pos	Part Number	Name	Remarks	Qty	Model
(1)	955 803 076 01	airbag unit plastic material multiple function radio 2Y7 black 2Z1 stone grey 3U9 havanna 3X8 palmgreen	05	1	I2PM/1XJ/1XK I2FV/GOL/4N1 I4LB	(1)	955 803 076 12	airbag unit plastic material multiple function radio 2Y7 black 2Z1 stone grey 3U9 havanna 3X8 palmgreen	06-	1	I2PM/1XJ/1XK I2FV/GOR/4N1 I4LB
(1)	955 803 076 02	airbag unit plastic material multiple function radio 2Y7 black 2Z1 stone grey 3U9 havanna 3X8 palmgreen	06-	1	I2PM/1XJ/1XK I2FV/GOL/4N1 I4LB	(1) A	955 803 076 20	airbag unit plastic material multiple function radio 2Y7 black 2Z1 stone grey 3U9 havanna 3X8 palmgreen	04	1	I2PH/GOL/4N1 I4LB
(1) A	955 803 076 10	airbag unit plastic material multiple function radio 2Y7 black 2Z1 stone grey 3U9 havanna 3X8 palmgreen	-04	1	I2PM/1XJ/1XK I2FV/GOR/4N1 I4LB	(1) A	955 803 076 21	airbag unit plastic material multiple function radio 2Y7 black 2Z1 stone grey 3U9 havanna 3X8 palmgreen	05	1	I2PH/GOL/4N1 I4LB
(1) A	955 803 076 11	airbag unit plastic material multiple function radio 2Y7 black 2Z1 stone grey 3U9 havanna	05	1	I2PM/1XJ/1XK I2FV/GOR/4N1 I4LB	(1)	955 803 076 22	airbag unit plastic material multiple function radio 2Y7 black 2Z1 stone grey 3U9 havanna 3X8 palmgreen	06-	1	I2PH/GOL/4N1 I4LB

Model	Year	MG	SG	Illustration	Restrictions	Update	18:41	16.08.2006	PORSCHE	PET	PORSCHE
9pa	06	4	03	403-06		203					

Pos	Part Number	Name	Remarks	Qty	Model	Pos	Part Number	Name	Remarks	Qty	Model
(1)	A 955 803 076 30	airbag unit plastic material multiple function radio 2Y7 black 2Z1 stone grey 3U9 havanna 3X8 palmgreen	-04	1	I2PH/G0R/4N1 I4LB	(1)	955 803 077 02	airbag unit plastic material multiple function radio telephone 2Y7 black 2Z1 stone grey 3U9 havanna 3X8 palmgreen	05	1	I2PM/1XJ/1XK I2FV/G0L/4N1 I4LC
(1)	A 955 803 076 31	airbag unit plastic material multiple function radio 2Y7 black 2Z1 stone grey 3U9 havanna 3X8 palmgreen	05	1	I2PH/G0R/4N1 I4LB	(1)	955 803 077 03	airbag unit plastic material multiple function radio telephone 2Y7 black 2Z1 stone grey 3U9 havanna 3X8 palmgreen	06-	1	I2PM/1XJ/1XK I2FV/G0L/4N1 I4LC
(1)	955 803 076 32	airbag unit plastic material multiple function radio 2Y7 black 2Z1 stone grey 3U9 havanna 3X8 palmgreen	06-	1	I2PH/G0R/4N1 I4LB	(1)	A 955 803 077 11	airbag unit plastic material multiple function radio telephone 2Y7 black 2Z1 stone grey 3U9 havanna 3X8 palmgreen	-04	1	I2PM/1XJ/1XK I2FV/G0R/4N1 I4LC
(1)	A 955 803 077 01	airbag unit plastic material multiple function radio telephone 2Y7 black 2Z1 stone grey 3U9 havanna 3X8 palmgreen	04	1	I2PM/1XJ/1XK I2FV/G0L/4N1 I4LC	(1)	A 955 803 077 12	airbag unit plastic material multiple function radio telephone 2Y7 black	05	1	I2PM/1XJ/1XK I2FV/G0R/4N1 I4LC

Model	Year	MG	SG	Illustration	Restrictions	Update	18:41	16.08.2006	PORSCHE	PET	PORSCHE
9pa	06	4	03	403-06		203					

Pos	Part Number	Name	Remarks	Qty	Model	Pos	Part Number	Name	Remarks	Qty	Model
		2Z1 stone grey						2Y7 black			
		3U9 havanna						2Z1 stone grey			
		3X8 palmgreen						3U9 havanna			
(1)	955 803 077 13	airbag unit	06-	1	I2PM/1XJ/1XK I2FV/G0R/4N1 I4LC	(1) A	955 803 077 31	airbag unit	-04	1	I2PH/G0R/4N1 I4LC
		plastic material multiple function radio telephone						plastic material multiple function radio telephone			
		2Y7 black						2Y7 black			
		2Z1 stone grey						2Z1 stone grey			
		3U9 havanna						3U9 havanna			
		3X8 palmgreen						3X8 palmgreen			
(1) A	955 803 077 21	airbag unit	04	1	I2PH/G0L/4N1 I4LC	(1)	955 803 077 32	airbag unit	05	1	I2PH/G0R/4N1 I4LC
		plastic material multiple function radio telephone						plastic material multiple function radio telephone			
		2Y7 black						2Y7 black			
		2Z1 stone grey						2Z1 stone grey			
		3U9 havanna						3U9 havanna			
		3X8 palmgreen						3X8 palmgreen			
(1) A	955 803 077 22	airbag unit	05	1	I2PH/G0L/4N1 I4LC	(1)	955 803 077 33	airbag unit	06-	1	I2PH/G0R/4N1 I4LC
		plastic material multiple function radio telephone						plastic material multiple function radio telephone			
		2Y7 black						2Y7 black			
		2Z1 stone grey						2Z1 stone grey			
		3U9 havanna						3U9 havanna			
		3X8 palmgreen						3X8 palmgreen			
(1)	955 803 077 23	airbag unit	06-	1	I2PH/G0L/4N1 I4LC						
		plastic material multiple function radio telephone									

Model	Year	MG	SG	Illustration	Restrictions	Update	18:41	16.08.2006	PORSCHE	PET	PORSCHE
9pa	06	4	03	403-06		203					

Pos	Part Number	Name	Remarks	Qty	Model	Pos	Part Number	Name	Remarks	Qty	Model
(1)	A 955 803 078 00	airbag unit leather multiple function radio 5Z3 black 6P1 stone grey 6Q2 havanna 6R3 palmgreen	04	1	I2PM/1XJ/1XK I2FV/GOL/4N8 I4LB	(1)	A 955 803 078 20	airbag unit leather multiple function radio 5Z3 black 6P1 stone grey 6Q2 havanna 6R3 palmgreen	04	1	I2PH/GOL/4N8 I4LB
(1)	A 955 803 078 01	airbag unit leather multiple function radio 5Z3 black 6P1 stone grey 6Q2 havanna 6R3 palmgreen	05	1	I2PM/1XJ/1XK I2FV/GOL/4N8 I4LB	(1)	A 955 803 078 21	airbag unit leather multiple function radio 5Z3 black 6P1 stone grey 6Q2 havanna 6R3 palmgreen	05	1	I2PH/GOL/4N8 I4LB
(1)	955 803 078 10	airbag unit leather multiple function radio 5Z3 black 6P1 stone grey 6Q2 havanna 6R3 palmgreen	-04	1	I2PM/1XJ/1XK I2FV/GOR/4N8 I4LB	(1)	A 955 803 078 30	airbag unit leather multiple function radio 5Z3 black 6P1 stone grey 6Q2 havanna 6R3 palmgreen	-04	1	I2PH/GOR/4N8 I4LB
(1)	A 955 803 078 11	airbag unit leather multiple function radio 5Z3 black 6P1 stone grey 6Q2 havanna	05	1	I2PM/1XJ/1XK I2FV/GOR/4N8 I4LB	(1)	A 955 803 078 31	airbag unit leather multiple function radio 5Z3 black 6P1 stone grey 6Q2 havanna 6R3 palmgreen	05	1	I2PH/GOR/4N8 I4LB

Model	Year	MG	SG	Illustration	Restrictions	Update	18:41	16.08.2006	PORSCHE	PET	PORSCHE
9pa	06	4	03	403-06		203					

Pos	Part Number	Name	Remarks	Qty	Model	Pos	Part Number	Name	Remarks	Qty	Model
(1)	955 803 078 02	airbag unit leather multiple function radio 5Z3 black 6P1 stone grey 6Q2 havanna 6R3 palmgreen 4P8 sand beige	06-	1	I2PM/1XJ/1XK I2FV/G0L/4N8 I4LB		6P1 stone grey 6Q2 havanna 6R3 palmgreen 4P8 sand beige				
						(1) A	955 803 079 01	airbag unit leather multiple function radio telephone 5Z3 black 6P1 stone grey 6Q2 havanna 6R3 palmgreen	04	1	I2PM/1XJ/1XK I2FV/G0L/4N8 I4LC
(1)	955 803 078 12	airbag unit leather multiple function radio 5Z3 black 6P1 stone grey 6Q2 havanna 6R3 palmgreen 4P8 sand beige	06-	1	I2PM/1XJ/1XK I2FV/G0R/4N8 I4LB		5Z3 black 6P1 stone grey 6Q2 havanna 6R3 palmgreen				
						(1)	955 803 079 02	airbag unit leather multiple function radio telephone 5Z3 black 6P1 stone grey 6Q2 havanna 6R3 palmgreen	05	1	I2PM/1XJ/1XK I2FV/G0L/4N8 I4LC
(1)	955 803 078 22	airbag unit leather multiple function radio 5Z3 black 6P1 stone grey 6Q2 havanna 6R3 palmgreen 4P8 sand beige	06-	1	I2PH/G0L/4N8 I4LB		6P1 stone grey 6Q2 havanna 6R3 palmgreen				
						(1)	955 803 079 11	airbag unit leather multiple function radio telephone 5Z3 black 6P1 stone grey 6Q2 havanna 6R3 palmgreen	-04	1	I2PM/1XJ/1XK I2FV/G0R/4N8 I4LC
(1)	955 803 078 32	airbag unit leather multiple function radio 5Z3 black	06-	1	I2PH/G0R/4N8 I4LB		6P1 stone grey 6Q2 havanna 6R3 palmgreen				

Model	Year	MG	SG	Illustration	Restrictions	Update	18:41	16.08.2006	PORSCHE	PET	PORSCHE
9pa	06	4	03	403-06		203					

Pos	Part Number	Name	Remarks	Qty	Model	Pos	Part Number	Name	Remarks	Qty	Model
(1)	955 803 079 12	airbag unit leather multiple function radio telephone 5Z3 black 6P1 stone grey 6Q2 havanna 6R3 palmgreen	05	1	I2PM/1XJ/1XK I2FV/GOR/4N8 I4LC	(1) A	955 803 079 32	airbag unit leather multiple function radio telephone 5Z3 black 6P1 stone grey 6Q2 havanna 6R3 palmgreen	05	1	I2PH/GOR/4N8 I4LC
(1) A	955 803 079 21	airbag unit leather multiple function radio telephone 5Z3 black 6P1 stone grey 6Q2 havanna 6R3 palmgreen	04	1	I2PH/GOL/4N8 I4LC	(1)	955 803 079 03	airbag unit leather multiple function radio telephone 5Z3 black 6P1 stone grey 6Q2 havanna 6R3 palmgreen	06-	1	I2PM/1XJ/1XK I2FV/GOL/4N8 I4LC
(1)	955 803 079 22	airbag unit leather multiple function radio telephone 5Z3 black 6P1 stone grey 6Q2 havanna 6R3 palmgreen	05	1	I2PH/GOL/4N8 I4LC	(1)	955 803 079 13	airbag unit leather multiple function radio telephone 5Z3 black 6P1 stone grey 6Q2 havanna 6R3 palmgreen 4P8 sand beige	06-	1	I2PM/1XJ/1XK I2FV/GOR/4N8 I4LC
(1) A	955 803 079 31	airbag unit leather multiple function radio telephone 5Z3 black 6P1 stone grey 6Q2 havanna	-04	1	I2PH/GOR/4N8 I4LC						

Model	Year	MG	SG	Illustration	Restrictions	Update	18:41	16.08.2006	PORSCHE	PET	PORSCHE
9pa	06	4	03	403-06		203					

Pos	Part Number	Name	Remarks	Qty	Model	Pos	Part Number	Name	Remarks	Qty	Model
(1)	955 803 079 23	airbag unit leather multiple function radio telephone	06-	1	I2PH/G0L/4N8 I4LC		6R3	palmgreen			
		5Z3 black					4P8	sand beige			
		6P1 stone grey				(2)	955 613 433 00	multi-function unit without control part		1	I2PH/IG0R
		6Q2 havanna					5Z3	black			
		6R3 palmgreen					6P1	stone grey			
		4P8 sand beige					6Q2	havanna			
(1)	955 803 079 33	airbag unit leather multiple function radio telephone	06-	1	I2PH/G0R/4N8 I4LC		6R3	palmgreen			
		5Z3 black					4P8	sand beige			
		6P1 stone grey				(2)	955 613 434 00	multi-function unit with control part for radio		1	I4LB/IG0L
		6Q2 havanna					2Y7	black			
		6R3 palmgreen					2Z1	stone grey			
		4P8 sand beige					3U9	havanna			
2	955 613 431 00	multi-function unit without control part		1	I2PM/2PH/G0L		3X8	palmgreen			
		5Z3 black				(2)	955 613 435 00	multi-function unit with control part for radio		1	I4LB/IG0R
		6P1 stone grey					4P8	sand beige			
		6Q2 havanna					2Y7	black			
		6R3 palmgreen					2Z1	stone grey			
		4P8 sand beige					3U9	havanna			
(2)	955 613 432 00	multi-function unit without control part		1	I2PM/IG0R		3X8	palmgreen			
		5Z3 black				(2)	955 613 436 00	multi-function unit with control part for radio and telephone		1	I4LC/IG0L
		6P1 stone grey					4P8	sand beige			
		6Q2 havanna									

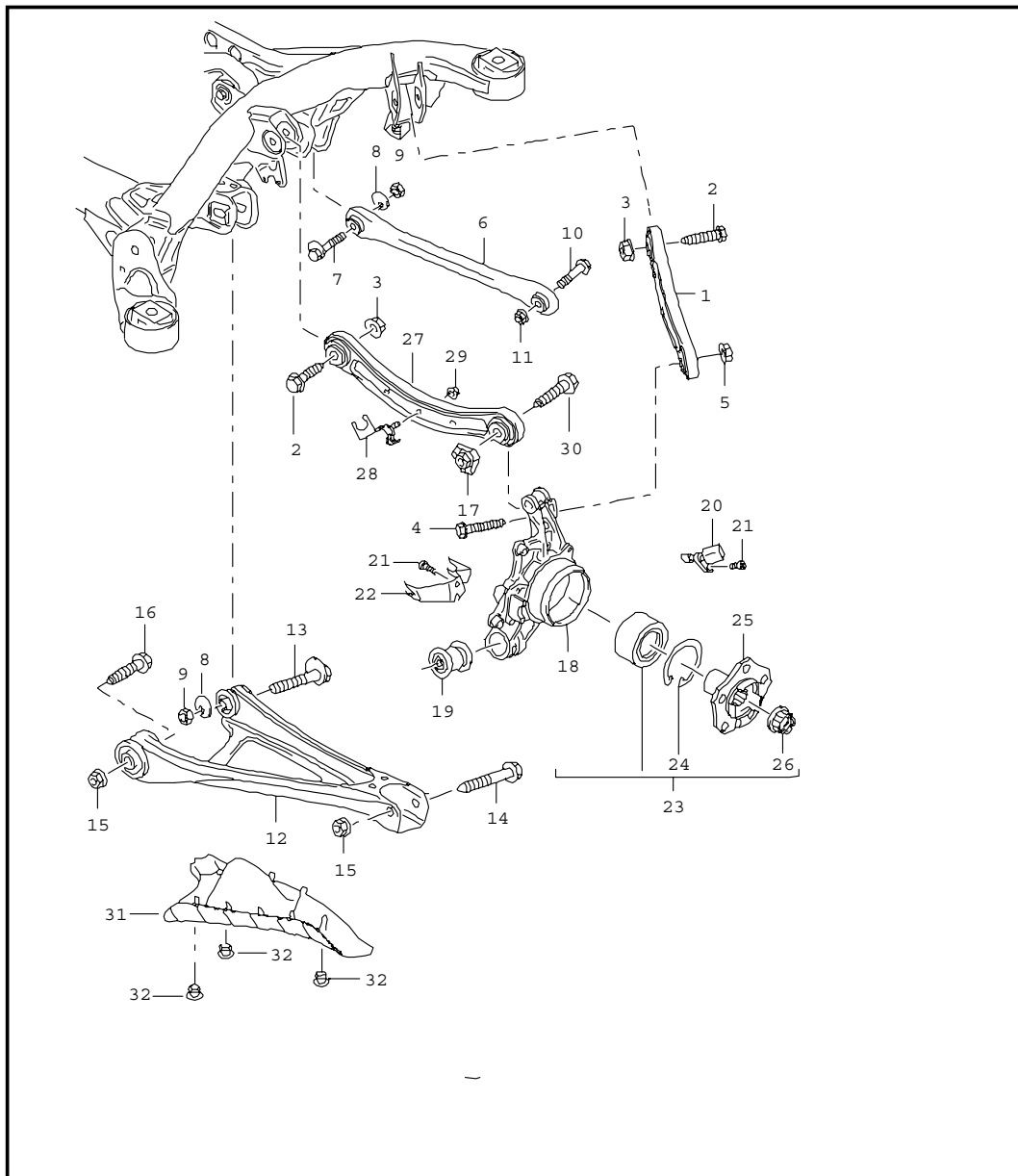
Model	Year	MG	SG	Illustration	Restrictions	Update	18:41	16.08.2006	PORSCHE	PET	PORSCHE
9pa	06	4	03	403-06		203					

Pos	Part Number	Name	Remarks	Qty	Model	Pos	Part Number	Name	Remarks	Qty	Model
	2Y7	black				(7)	955 652 211 01	spring with steering-angle sensor	05-	1	I2PM/IG0L
	2Z1	stone grey									
	3U9	havanna				(7)	955 652 211 10	spring with steering-angle sensor	-04	1	I2PM/IG0R
	3X8	palmgreen									
	4P8	sand beige				(7)	955 652 211 11	spring with steering-angle sensor	05-	1	I2PM/IG0R
(2)	955 613 437 00	multi-function unit with control part for radio and telephone		1	I4LC/IG0R	(7)	955 652 211 20	spring with steering-angle sensor	-04	1	I2PH
	2Y7	black				(7)	955 652 211 21	spring with steering-angle sensor	05-	1	I2PH
	2Z1	stone grey				(7)	955 652 211 10	spring with steering-angle sensor	-04	1	I2PM/1XJ/1XK I2FV/4LB/4LC
	3U9	havanna									
	3X8	palmgreen				(7)	955 652 211 11	spring with steering-angle sensor	05-	1	I2PM/1XJ/1XK I2FV/4LB/4LC
	4P8	sand beige									
3	955 803 399 00	intermediate layer		4							
4	955 803 579 00	threaded bush		4		(7)	955 652 211 20	spring with steering-angle sensor	-04	1	I2PH/4LB/4LC
5	955 612 672 00	wiring harness		1	I2PM/IG0L	(7)	955 652 211 21	spring with steering-angle sensor	05-	1	I2PH/4LB/4LC
(5)	955 612 670 00	wiring harness		1	I2PM/IG0R						
(5)	955 612 670 00	wiring harness		1	I2PM/1XJ/1XK I2FV/4LB/4LC IG0L/IG0R	8	955 803 071 01	airbag unit passenger's side		1	
(5)	955 612 673 00	wiring harness		1	I2PH/IG0L	9	N 101 586 03	hexagon-head bolt M 6 X 20		4	
(5)	955 612 671 00	wiring harness		1	I2PH/IG0R	10	N 901 671 01	screw M 6 X 15		2	
(5)	955 612 671 00	wiring harness		1	I2PH/4LB/4LC IG0L/IG0R	11	A 955 618 219 00	control unit airbag		1	
6	955 803 521 00	clip wiring harness		2		(11)	A 955 618 219 01	control unit airbag		1	
7	955 652 211 00	spring with steering-angle sensor	-04	1	I2PM/IG0L	(11)	955 618 219 02	control unit airbag		1	I4UD/I4UE

Model	Year	MG	SG	Illustration	Restrictions	Update	18:41	16.08.2006	PORSCHE	PET	PORSCHE
9pa	06	4	03	403-06		203					

Pos	Part Number	Name	Remarks	Qty	Model	Pos	Part Number	Name	Remarks	Qty	Model
12	955 618 419 20	cap nut M 6		3							
13	A 955 618 220 10	front sensor airbag		2							
(13)	955 618 220 11	front sensor airbag	-05	2							
(13)	955 618 220 12	front sensor airbag	06-	2							
14	N 015 082 5	hexagon nut M 6		4							
15	A 955 618 221 00	sensor side airbag b-pillar		2							
(15)	955 618 221 01	sensor side airbag b-pillar		2							
16	N 906 381 01	torx screw M 6 X 12		4							
17	A 955 618 222 30	sensor side airbag c-pillar	-04	2							
(17)	955 618 222 31	sensor side airbag c-pillar	05-	2							
18	N 105 181 01	torx screw M 6 X 40		4							
--	...	side airbag see group 8/46/06 KAT STZ2		X							
--	...	head airbag see group 8/07/30		X							
- - - E N D - - -											

Model	Year	MG	SG	Illustration	Restrictions	Update	18:41	16.08.2006	PORSCHE	PET	PORSCHE
9pa	06	5	01	501-00		203					



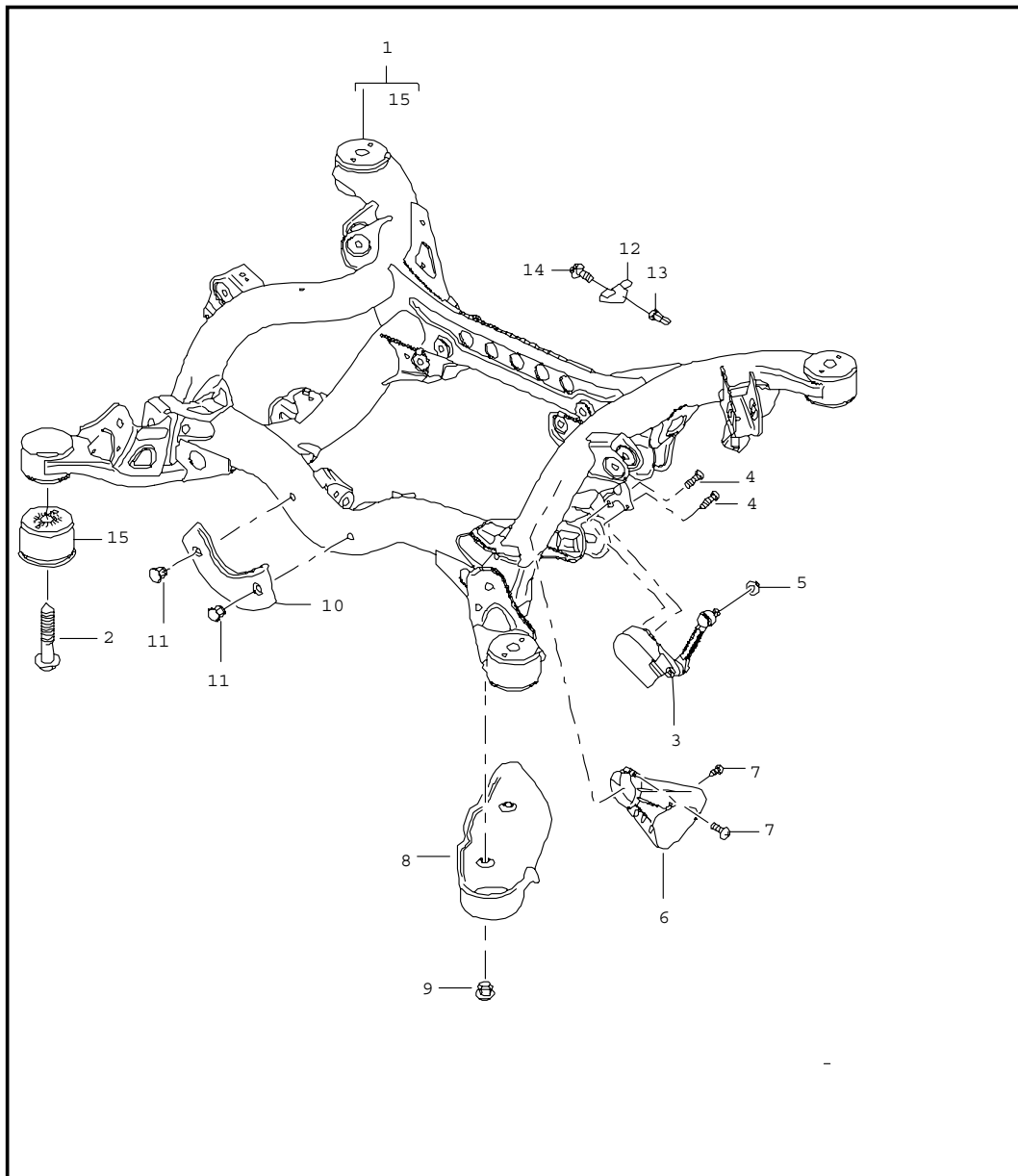
Pos	Part Number	Name	Remarks	Qty	Model
		rear axle wheel carrier control arm track rod wheel hub stone guard			
1	955 331 049 00	control arm upper rear	/L	1	
(1)	955 331 050 00	control arm upper rear	/R	1	
2	N 105 524 01	hexagon-head bolt M 12 X 1,5 X 70		4	
3	N 104 029 01	hexagon nut M 12 X 1,5		4	
4	N 105 869 01	hexagon-head bolt M 16 X 1,5 X 110		2	
5	N 910 204 01	combined nut M 16 X 1,5		2	
6	A 955 331 045 30	track rod		2	
(6)	955 331 045 31	track rod		2	
7	955 331 216 00	eccentric screw M 14 X 1,5 X 82		2	
8	955 331 219 00	eccentric washer		4	
9	N 102 686 02	hexagon nut M 14 X 1,5		4	
10	N 910 205 01	screw M 16 X 1,5 X 125		2	
11	N 105 868 01	hexagon nut M 16 X 1,5		2	
12	955 331 017 11	control arm lower	/L	1	
(12)	955 331 018 11	control arm lower	/R	1	
13	955 331 217 00	eccentric screw M 14 X 1,5 X 105		2	
14	N 105 230 01	hexagon-head bolt M 14 X 1,5 X 100		2	

Model	Year	MG	SG	Illustration	Restrictions	Update	18:41	16.08.2006	PORSCHE	PET	PORSCHE
9pa	06	5	01	501-00		203					

Pos	Part Number	Name	Remarks	Qty	Model	Pos	Part Number	Name	Remarks	Qty	Model
15	N 103 353 02	hexagon nut M 14 X 1,5		4		28	955 331 322 20	support for line speed sensor		2	
16	N 105 526 01	hexagon-head bolt M 14 X 1,5 X 110		2							
17	955 331 445 00	combined nut M 14 X 1,5		2		29	N 023 002 8	hexagon nut M 6		2	
18	955 331 611 20	wheel carrier	/L	1		30	N 105 526 01	hexagon-head bolt M 14 X 1,5 X 110		2	
(18)	955 331 612 20	wheel carrier	/R	1		(30)	N 105 326 01	hexagon-head bolt BM 14 X 1,5 X 102	05-	2	I1KU/IE81
19	955 341 588 10	link bearing		2		(30)	N 105 326 01	hexagon-head bolt BM 14 X 1,5 X 102	06-	2	I1KU/IE8A
20	955 606 405 10	speed sensor	/L -05	1		31	955 331 315 01	stone guard	/L 04-	1	I6EB/I6ES/ I6ET
(20)	955 606 405 11	speed sensor	/L 06-	1		(31)	955 331 316 01	stone guard	/R 04-	1	I6EB/I6ES/ I6ET
(20)	955 606 406 10	speed sensor	/R -05	1		32	N 106 085 01	expansion rivet	04-	6	I6EB/I6ES/ I6ET
(20)	955 606 406 11	speed sensor	/R 06-	1		-	000 043 204 21	grease spraying can 25 ML		1	
21	N 014 740 4	pan-head screw M 6 X 16	-05	4							
(21)	N 014 740 11	pan-head screw M 6 X 16	06-	4							
22	955 331 321 00	support	/L	1							
(22)	955 331 322 00	support	/R	1							
23	955 341 901 00	repair kit angular-contact bearing use also: N .105.234.01 for mount drive shaft		2 6							
24	N 105 320 01	circlip 95 X 3		2							
25	955 341 605 10	wheel hub		2							
26	955 341 640 00	lock nut M 24		2							
27	955 331 047 10	control arm upper front		2							

- - - E N D - - -

Model	Year	MG	SG	Illustration	Restrictions	Update	18:42	16.08.2006	PORSCHE	PET	PORSCHE
9pa	06	5	01	501-01		203					

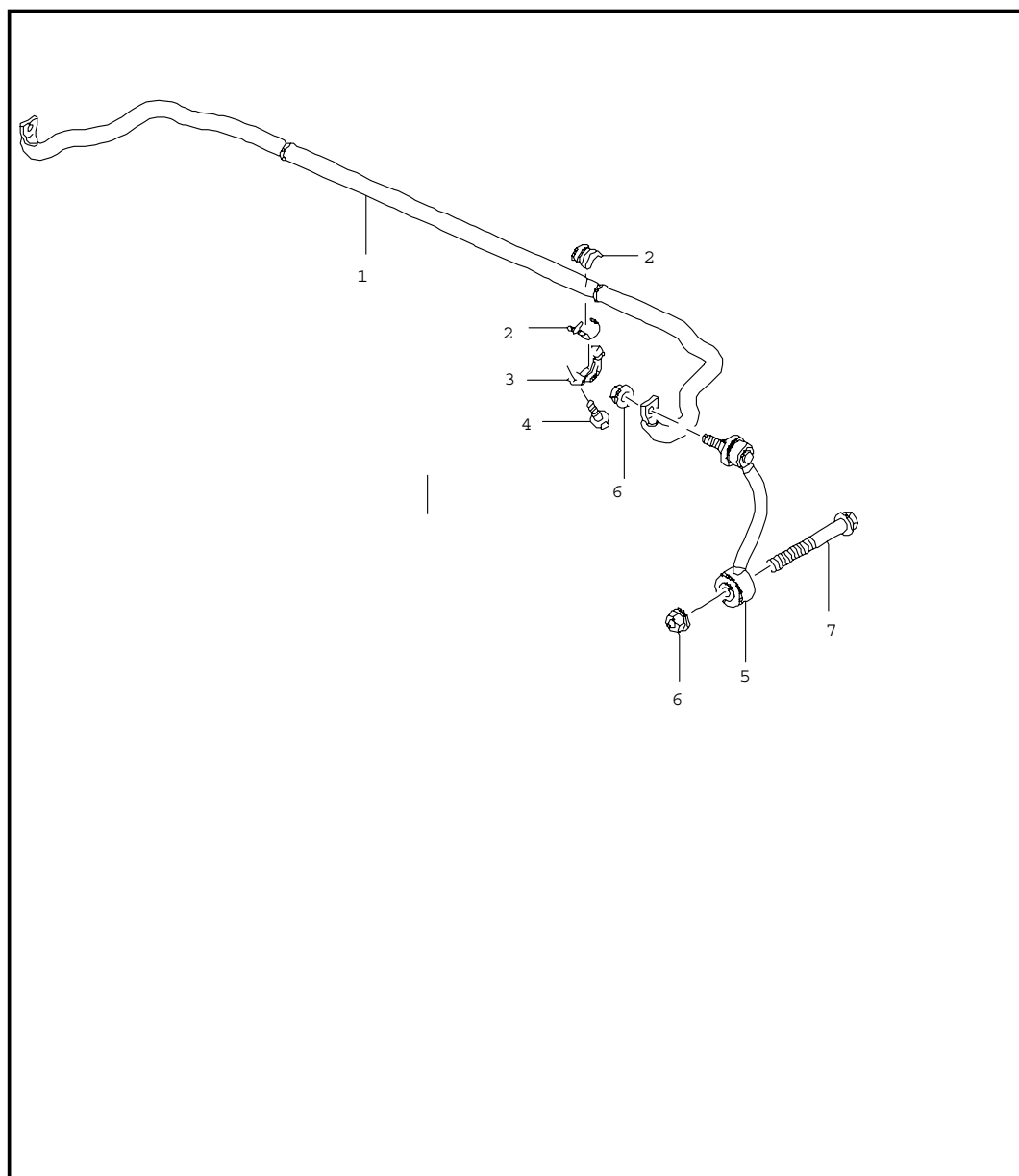


Pos	Part Number	Name	Remarks	Qty	Model
		rear axle suspension subframe headlight levelling system self-levelling sensor stone guard		1 2	I1BA/I8Q3 I1BK
1	A 955 331 030 40	suspension subframe		1	
(1)	A 955 331 030 41	suspension subframe		1	
(1)	A 955 331 030 42	suspension subframe		1	
(1)	955 331 030 43	suspension subframe	-05	1	
(1)	955 331 030 44	suspension subframe	06-	1	
2	N 909 763 01	hexagon-head bolt M 14 X 1,5 X 135		4	
3	955 331 077 10	self-levelling sensor with linkage	/L	1	I1BA/I8Q3
(3)	955 331 077 00	self-levelling sensor with linkage F >>9P4LA 01525 F >>9P4LA 48415 F >>9P4LA 83739		2	I1BK
(3)	955 331 077 20	self-levelling sensor with linkage F 9P4LA 01526>> F 9P4LA 48416>> F 9P4LA 83740>>		2	I1BK
4	N 104 343 01	pan-head screw M 5 X 10		2	I1BA/I8Q3
(4)	N 104 343 01	pan-head screw M 5 X 10		4	I1BK
5	N 023 002 8	hexagon nut M 6		1	I1BA/I8Q3
(5)	N 023 002 8	hexagon nut M 6		2	I1BK
6	955 331 325 01	stone guard F >>9P6LA 03817 F >>9P6LA 43850	/L	1	I1BA/I8Q3

Model	Year	MG	SG	Illustration	Restrictions	Update	18:42	16.08.2006	PORSCHE	PET	PORSCHE
9pa	06	5	01	501-01		203					

Pos	Part Number	Name	Remarks	Qty	Model	Pos	Part Number	Name	Remarks	Qty	Model
(6)	955 331 325 01	stone guard F >>9P6LA 03817 F >>9P6LA 43850 F >>9P6LA 81761	/L	1	I1BK	14	N 904 407 02	hexagon-head bolt M 6 X 15	04-	1	I0BJ
(6)	955 331 325 01	stone guard F 9P6LA 03818>> F 9P6LA 43851>> F 9P6LA 81762>>	/L	1	I6EB/I6ES	15	955 331 134 00	hydraulic mount		4	
(6)	955 331 325 01	stone guard	/L	1	I1Y1			- - - E N D - - -			
(6)	955 331 326 01	stone guard F >>9P6LA 03817 F >>9P6LA 43850 F >>9P6LA 81761	/R	1	I1BK						
(6)	955 331 326 01	stone guard F 9P6LA 03818>> F 9P6LA 43851>> F 9P6LA 81762>>	/R	1	I6EB/I6ES						
7	N 106 115 01	oval-head screw 4 X 25 F >>9P6LA 03817 F >>9P6LA 43850		2	I1BA/I8Q3						
(7)	N 106 115 01	oval-head screw 4 X 25 F >>9P6LA 03817 F >>9P6LA 43850 F >>9P6LA 81761		4	I1BK						
(7)	N 106 115 01	oval-head screw 4 X 25 F 9P6LA 03818>> F 9P6LA 43851>> F 9P6LA 81762>>		4	I6EB/I6ES						
(7)	N 106 115 01	oval-head screw 4 X 25		2	I1Y1						
8	955 331 313 01	stone guard	/L 04-	1	I6EB/6ES/6ET						
(8)	955 331 314 01	stone guard	/R 04-	1	I6EB/6ES/6ET						
9	N 106 084 01	expansion rivet	04-	4	I6EB/6ES/6ET						
10	955 331 317 01	stone guard	04-	1	I6EB/6ES/6ET						
11	N 106 085 01	expansion rivet	04-	2	I6EB/6ES/6ET						
12	955 610 235 01	support wiring harness sensor	04-	1	I0BJ						
13	N 909 278 01	blind rivet nut M 6	04-	1	I0BJ						

Model	Year	MG	SG	Illustration	Restrictions	Update	18:42	16.08.2006	PORSCHE	PET	PORSCHE
9pa	06	5	01	501-03		203					

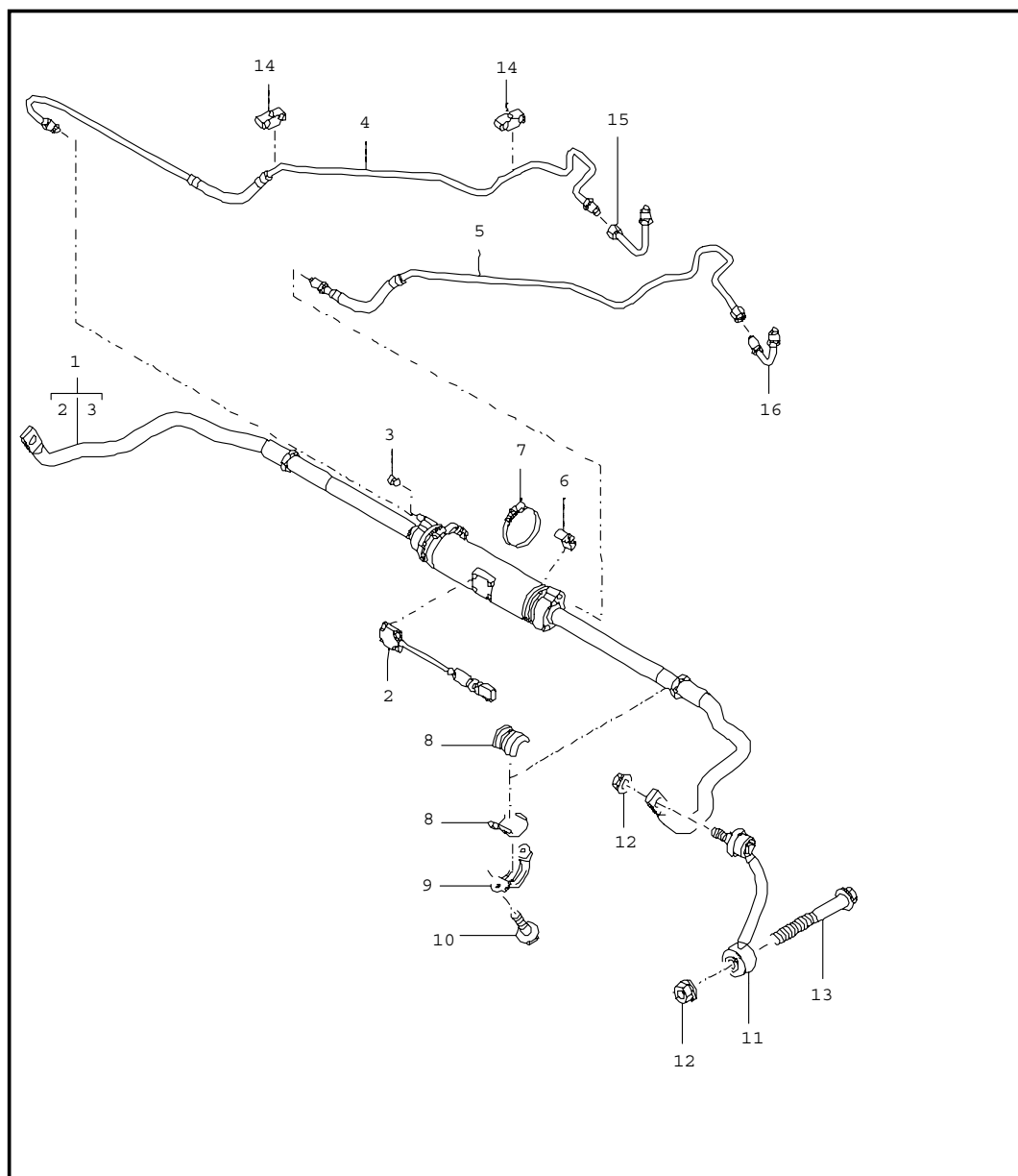


Pos	Part Number	Name	Remarks	Qty	Model
		stabiliser			I0BB
1	955 333 701 00	stabiliser 25,00 MM marked green		1	ID9K/I1BA
1	955 333 701 00	stabiliser 25,00 MM marked green	04-	1	ID9J/I1BK
(1)	955 333 701 20	stabiliser 24,60 MM marked lilac	04-	1	ID9J/I1BA
(1)	955 333 701 30	stabiliser 25,60 MM marked yellow		1	ID9K/D9L/1BK
2	955 333 792 40	stabiliser mounting 24,10 MM marked green		4	ID9K/I1BA
2	955 333 792 40	stabiliser mounting 24,10 MM marked green	04-	4	ID9J/I1BK
(2)	955 333 792 50	stabiliser mounting 23,70 MM marked lilac	04-	4	ID9J/I1BA
(2)	955 333 792 30	stabiliser mounting 24,70 MM marked yellow		4	ID9K/D9L/1BK
3	955 333 777 00	clip		2	
4	N 908 476 01	hexagon-head bolt M 10 X 25		4	
5	955 333 069 10	stabiliser mounting	/L	1	
(5)	955 333 070 10	stabiliser mounting	/R	1	
6	N 104 029 01	hexagon nut M 12 X 1,5		4	

Model	Year	MG	SG	Illustration	Restrictions	Update	18:42	16.08.2006	PORSCHE	PET	PORSCHE
9pa	06	5	01	501-03		203					

Pos	Part Number	Name	Remarks	Qty	Model	Pos	Part Number	Name	Remarks	Qty	Model
7	N 105 924 01	hexagon-head bolt M 12 X 1,5 X 120 - - - E N D - - -		2							

Model	Year	MG	SG	Illustration	Restrictions	Update	18:42	16.08.2006	PORSCHE	PET	PORSCHE
9pa	06	5	01	501-04		203					

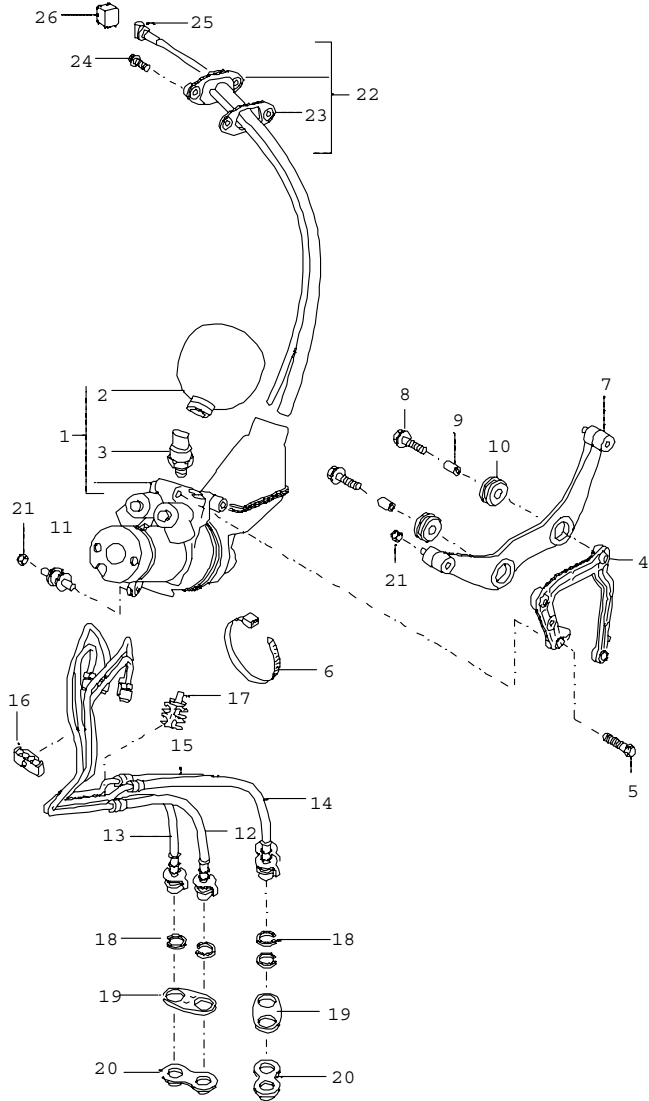


Pos	Part Number	Name	Remarks	Qty	Model
1	955 333 702 00	stabiliser disengageable	04-	1	I0BJ
	955 333 702 00	stabiliser 24,60 MM marked lilac		1	ID9J/I1BA
(1)	955 333 702 10	stabiliser 25,60 MM marked green		1	ID9J/I1BK
(1)	955 333 702 10	stabiliser 25,60 MM marked green		1	ID9K/I1BA
(1)	955 333 702 20	stabiliser 25,60 MM marked yellow		1	ID9K/D9L/1BK
2	955 606 415 10	sensor		1	
-	955 355 543 00	support for line sensor		1	
3	955 343 901 00	ventilation valve with dust boot		2	
4	A 955 333 110 00	hydraulic line	04	1	
(4)	955 333 110 01	hydraulic line	05-	1	
5	955 333 111 00	hydraulic line		1	
6	955 343 421 00	holder		2	
7	N 024 503 3	hose clamp A 60-80 X 13 X 0,6		2	
8	955 333 792 50	stabiliser mounting 23,70 MM marked lilac		4	ID9J/I1BA
(8)	955 333 792 30	stabiliser mounting 24,70 MM marked yellow		4	ID9J/I1BK

Model	Year	MG	SG	Illustration	Restrictions	Update	18:42	16.08.2006	PORSCHE	PET	PORSCHE
9pa	06	5	01	501-04		203					

Pos	Part Number	Name	Remarks	Qty	Model	Pos	Part Number	Name	Remarks	Qty	Model
(8)	955 333 792 30	stabiliser mounting 24,70 MM marked yellow		4	ID9K/I1BA						
(8)	955 333 792 30	stabiliser mounting 24,70 MM marked yellow		4	ID9K/D9L/1BK						
9	955 333 777 00	clip		2							
10	N 908 476 01	hexagon-head bolt M 10 X 25		4							
11	955 333 069 10	stabiliser mounting	/L	1							
(11)	955 333 070 10	stabiliser mounting	/R	1							
12	N 104 029 01	hexagon nut M 12 X 1,5		4							
13	N 105 924 01	hexagon-head bolt M 12 X 1,5 X 120		2							
14	955 355 543 00	support		2							
15	955 333 120 00	hydraulic line connection point rear axle		1							
16	955 333 121 00	hydraulic line connection point rear axle		1							
		- - - E N D - - -									

Model	Year	MG	SG	Illustration	Restrictions	Update	18:42	16.08.2006	PORSCHE	PET	PORSCHE
9pa	06	5	01	501-05		203					

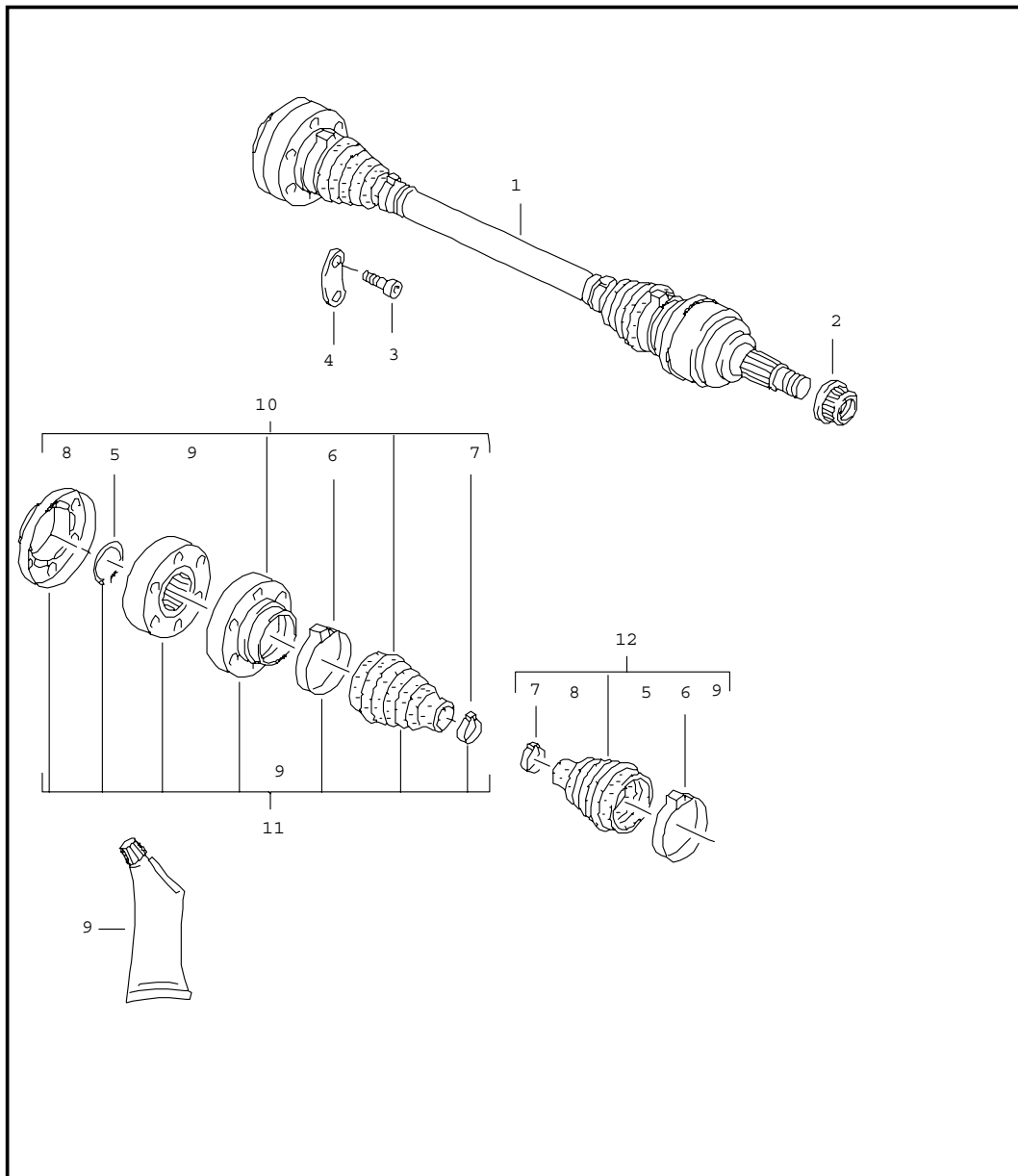


Pos	Part Number	Name	Remarks	Qty	Model
		control mechanism hydraulic line stabiliser disengageable	04-		IOAG/IOBJ
1	A 955 343 080 00	control mechanism complete		1	
(1)	955 343 080 01	control mechanism complete		1	
2	955 343 105 00	pressure accumulator		1	
3	955 606 222 00	pressure sensor		1	
4	955 343 465 00	support pump		1	
5	N 102 856 01	hexagon-head bolt M 6 X 25		2	
6	999 513 010 40	tie-wrap 9 X 250 MM		1	
7	955 343 461 00	support control mechanism		1	
8	N 909 287 01	screw M 6 X 30		2	
9	955 343 633 00	bearing sleeve 6,2 X 15		2	
10	964 356 635 00	rubber mounting		2	
11	955 343 638 00	bonded rubber buffer		1	
12	955 343 107 00	hydraulic line front axle control mechanism		1	
13	955 343 108 00	hydraulic line front axle control mechanism		1	
14	955 333 107 00	hydraulic line rear axle control mechanism		1	
15	955 333 108 00	hydraulic line rear axle control mechanism		1	
16	955 343 476 00	holder		1	
17	955 343 477 00	holder		1	
18	955 343 480 00	lock ring		4	

Model	Year	MG	SG	Illustration	Restrictions	Update	18:42	16.08.2006	PORSCHE	PET	PORSCHE
9pa	06	5	01	501-05		203					

Pos	Part Number	Name	Remarks	Qty	Model	Pos	Part Number	Name	Remarks	Qty	Model
19	955 343 481 00	cable connection		2							
20	955 343 482 00	grommet		2							
21	N 015 082 5	hexagon nut M 6		3							
22	955 343 485 00	filler neck		1							
23	955 343 490 00	gasket		1							
24	955 343 495 00	round head screw M 5 X 20		2							
25	955 343 501 00	oil level dipstick		1							
26	955 343 492 00	filter		1							
-	000 043 203 33	pentosin CHF 11S 1 LITER	-05	X							
-	000 043 206 56	pentosin CHF 202 1 LITER	06-	X							
		- - - E N D - - -									

Model	Year	MG	SG	Illustration	Restrictions	Update	18:42	16.08.2006	PORSCHE	PET	PORSCHE
9pa	06	5	01	501-10		203					



Pos	Part Number	Name	Remarks	Qty	Model
1	955 332 024 00	drive shaft		2	IT31
(1)	955 332 024 10	drive shaft	04-	2	IT31/I1Y1
(1)	955 332 024 10	drive shaft F	>>9P5LA 50525	2	IT91
(1)	955 332 024 00	drive shaft F 9P5LA 50526>>		2	IT91/IG0R
(1)	955 332 024 10	drive shaft		2	IT91/IG0L
(1)	955 332 024 10	drive shaft		2	IT91/I1Y1
(1)	955 332 024 10	drive shaft		2	IT90
2	955 341 640 00	lock nut M 24 X 1,5		2	
3	N 105 234 01	pan-head screw AM 10 X 52		12	
4	955 332 191 30	plate	04-	6	IT31
(4)	955 332 191 20	plate	04-	6	IT31/I1Y1
(4)	955 332 191 20	plate F	>>9P5LA 50525	6	IT91
(4)	955 332 191 30	plate F 9P5LA 50526>>		6	IT91/IG0R
(4)	955 332 191 20	plate		6	IT91/IG0L
(4)	955 332 191 20	plate		6	IT91/I1Y1
(4)	955 332 191 20	plate		6	IT90
5	N 012 374 1	circlip 28 X 1,5	04-	2	IT31
(5)	N 012 375 1	circlip 30 X 1,5	04-	2	IT31/I1Y1

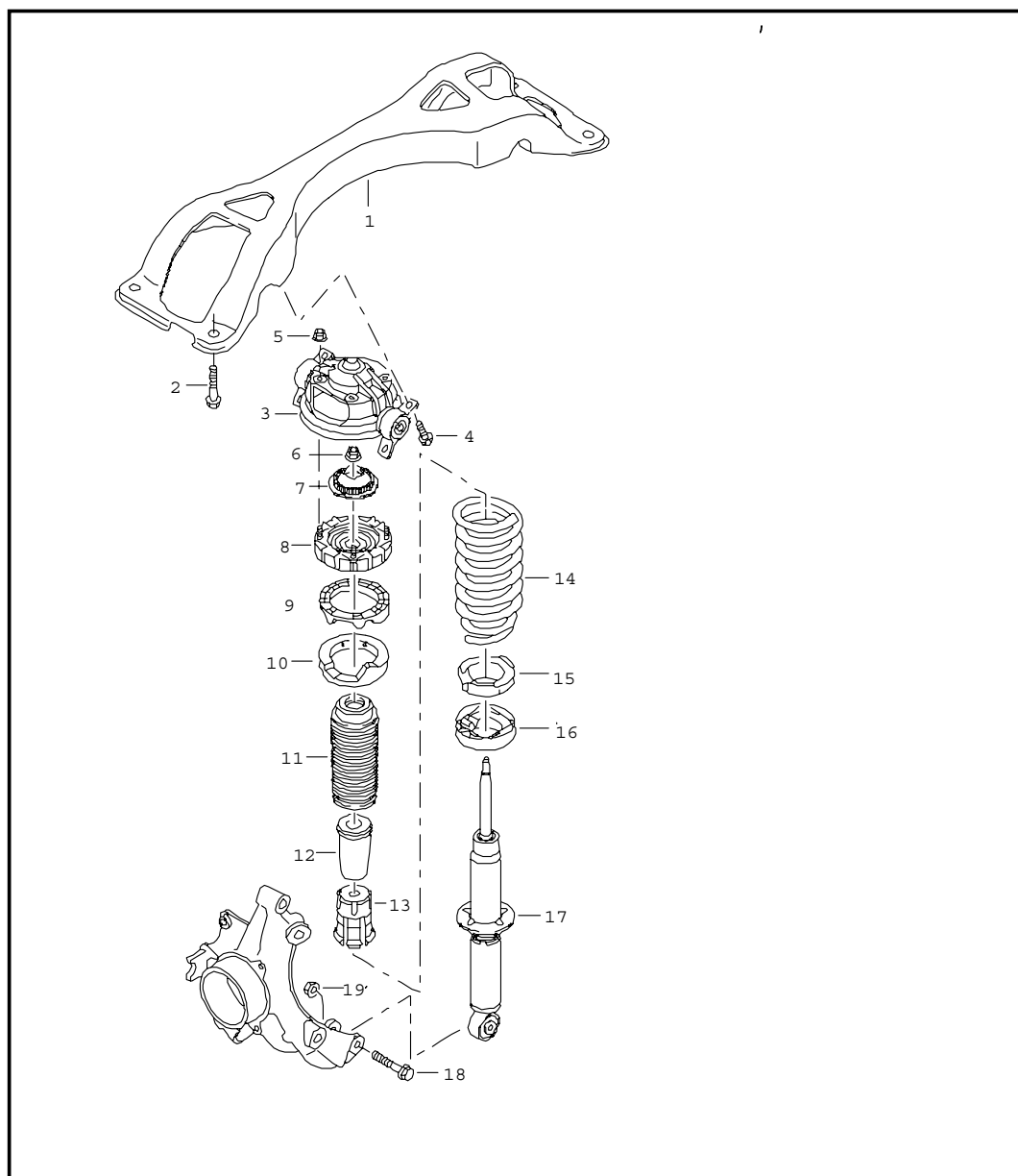
Model	Year	MG	SG	Illustration	Restrictions	Update	18:42	16.08.2006	PORSCHE	PET	PORSCHE
9pa	06	5	01	501-10		203					

Pos	Part Number	Name	Remarks	Qty	Model	Pos	Part Number	Name	Remarks	Qty	Model
(5)	N 012 375 1	circlip 30 X 1,5 F >>9P5LA 50525		2	IT91	(7)	N 909 342 01	clamp 37,5 X 10 X 0,8		4	IT91/I1Y1
(5)	N 012 374 1	circlip 28 X 1,5 F 9P5LA 50526>>		2	IT91/IGOR	(7)	N 909 342 01	clamp 37,5 X 10 X 0,8		4	IT90
(5)	N 012 375 1	circlip 30 X 1,5		2	IT91/IGOL	8	...	cover		X	
(5)	N 012 375 1	circlip 30 X 1,5		2	IT91/IY1	9	955 349 110 00	grease for drive shaft 1 tube 120 GR.		X	
(5)	N 012 375 1	circlip 30 X 1,5		2	IT90	10	955 332 901 00	repair kit dust bellows	04-	2	IT31
6	N 909 906 01	clamp 69 X 10 X 1	04-	4	IT31	(10)	955 332 901 10	repair kit dust bellows	04-	2	IT31/I1Y1
(6)	N 909 473 01	clamp 75 X 10 X 1	04-	4	IT31/I1Y1	(10)	955 332 901 10	repair kit dust bellows F >>9P5LA 50525		2	IT91
(6)	N 909 473 01	clamp 75 X 10 X 1 F >>9P5LA 50525		4	IT91	(10)	955 332 901 00	repair kit dust bellows		2	IT91/IGOR
(6)	N 909 906 01	clamp 69 X 10 X 1 F 9P5LA 50526>>		4	IT91/IGOR	(10)	955 332 901 10	repair kit dust bellows		2	IT91/IGOL
(6)	N 909 473 01	clamp 75 X 10 X 1		4	IT91/IGOL	(10)	955 332 901 10	repair kit dust bellows		2	IT91/I1Y1
(6)	N 909 473 01	clamp 75 X 10 X 1		4	IT91/I1Y1	(10)	955 332 901 10	repair kit dust bellows		2	IT90
(6)	N 909 473 01	clamp 75 X 10 X 1		4	IT90	11	955 332 902 00	repair kit joint	04-	2	IT31
7	N 908 240 01	hose clamp 34,5 X 10 X 0,8	04-	4	IT31	(11)	955 332 902 10	repair kit joint	04-	2	IT31/I1Y1
(7)	N 909 342 01	clamp 37,5 X 10 X 0,8	04-	4	IT31/I1Y1	(11)	955 332 902 10	repair kit joint F >>9P5LA 50525		2	IT91
(7)	N 909 342 01	clamp 37,5 X 10 X 0,8 F >>9P5LA 50525		4	IT91	(11)	955 332 902 00	repair kit joint F 9P5LA 50526>>		2	IT91/IGOR
(7)	N 908 240 01	hose clamp 34,5 X 10 X 0,8 F 9P5LA 50526>>		4	IT91/IGOR	(11)	955 332 902 10	repair kit joint		2	IT91/IGOL
(7)	N 909 342 01	clamp 37,5 X 10 X 0,8		4	IT91/IGOL	(11)	955 332 902 10	repair kit joint		2	IT91/I1Y1
						(11)	955 332 902 10	repair kit joint		2	IT90

Model	Year	MG	SG	Illustration	Restrictions	Update	18:42	16.08.2006	PORSCHE	PET	PORSCHE
9pa	06	5	01	501-10		203					

Pos	Part Number	Name	Remarks	Qty	Model	Pos	Part Number	Name	Remarks	Qty	Model
12	955 332 903 00	repair kit dust bellows	04-	2	IT31						
(12)	955 332 903 10	repair kit dust bellows	04-	2	IT31/I1Y1						
(12)	955 332 903 10	repair kit dust bellows F >>9P5LA 50525		2	IT91						
(12)	955 332 903 00	repair kit dust bellows F 9P5LA 50526>>		2	IT91/IG0R						
(12)	955 332 903 10	repair kit dust bellows		2	IT91/IG0L						
(12)	955 332 903 10	repair kit dust bellows		2	IT91/I1Y1						
(12)	955 332 903 10	repair kit dust bellows		2	IT90						
-	000 043 020 00	optimoly 1 tube 100 g		X							
-	000 043 205 36	sealing compound drive shaft 1 tube 100 g		X							
		- - - E N D - - -									

Model	Year	MG	SG	Illustration	Restrictions	Update	18:43	16.08.2006	PORSCHE	PET	PORSCHE
9pa	06	5	02	502-00		203					

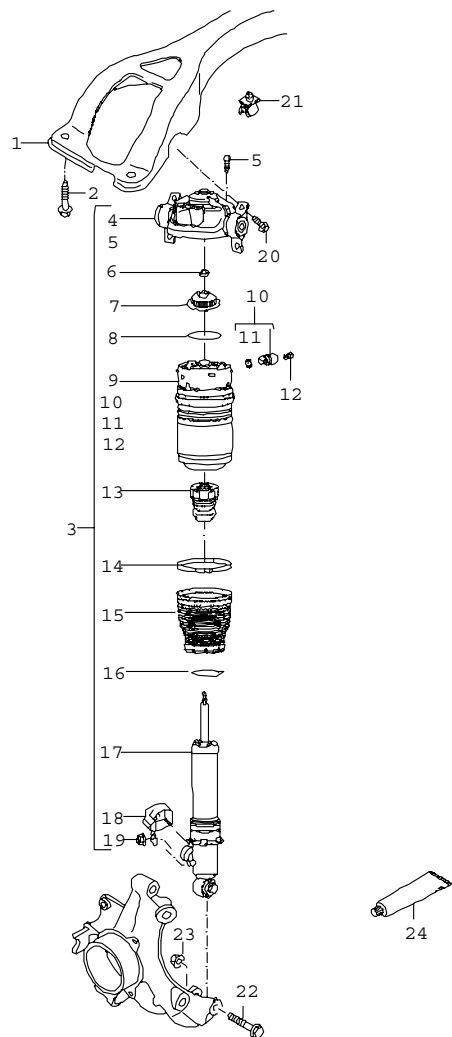


Pos	Part Number	Name	Remarks	Qty	Model
		springs cross member shock absorber strut			I1BA
1	955 333 321 20	cross member		1	
2	N 105 056 01	hexagon-head bolt M 12 X 1,5 X 80		4	
3	955 333 015 20	bearing bracket		2	
4	N 908 476 01	hexagon-head bolt M 10 X 25		8	
5	N 104 355 02	hexagon nut M 8		8	
6	N 909 664 01	hexagon nut M 12 X 1,5 F >>9P6LA 04007 F >>9P6LA 44107		2	
(6)	N 909 664 02	hexagon nut M 12 X 1,5 F 9P6LA 04008>> F 9P6LA 44108>>		2	
7	955 343 018 00	supporting mount		2	
8	955 333 071 00	concave support		2	
9	955 333 524 00	base upper		2	
10	955 343 528 00	concave washer upper		2	
11	955 343 505 00	boot		2	
12	955 333 105 20	rubber stop		2	
13	955 343 503 10	cap		2	
14	955 333 531 03	coil spring 1 set	04-	1	ID9J/0YA/0YB
		504 marked grey			
14	955 333 531 04	coil spring 1 set	04-	1	ID9J/0YC/0YD
		504 marked grey grey			
14	955 333 531 05	coil spring 1 set	04-	1	ID9J/0YE/0YF

Model	Year	MG	SG	Illustration	Restrictions	Update	18:43	16.08.2006	PORSCHE	PET	PORSCHE
9pa	06	5	02	502-00		203					

Pos	Part Number	Name	Remarks	Qty	Model	Pos	Part Number	Name	Remarks	Qty	Model
	504	marked grey grey grey				18	N 105 924 01	hexagon-head bolt M 12 X 1,5 X 120		2	
14	955 333 531 06	coil spring 1 set		1	ID9K/0YB/0YC	19	N 104 029 01	hexagon nut M 12 X 1,5		2	
	504	marked white						- - - E N D - - -			
14	955 333 531 07	coil spring 1 set		1	ID9K/0YD/0YE						
	504	marked white white									
14	955 333 531 08	coil spring 1 set		1	ID9K/0YF/0YG						
	504	marked white white white									
15	955 343 527 00	concave washer lower		2							
16	955 343 525 00	compensating plate lower black		2							
(16)	955 343 525 10	compensating plate lower blue		2							
(16)	955 343 525 20	compensating plate lower beige		2							
17	955 333 051 00	shock absorber -SACHS- F >>9P6LA 04007	04-	2	ID9J						
(17)	955 333 051 01	shock absorber -SACHS- F 9P6LA 04008>>		2	ID9J						
17	955 333 051 11	shock absorber -SACHS- F >>9P6LA 44107		2	ID9K						
(17)	955 333 051 12	shock absorber -SACHS- F 9P6LA 44108>>		2	ID9K						

Model	Year	MG	SG	Illustration	Restrictions	Update	18:43	16.08.2006	PORSCHE	PET	PORSCHE
9pa	06	5	02	502-01		203					

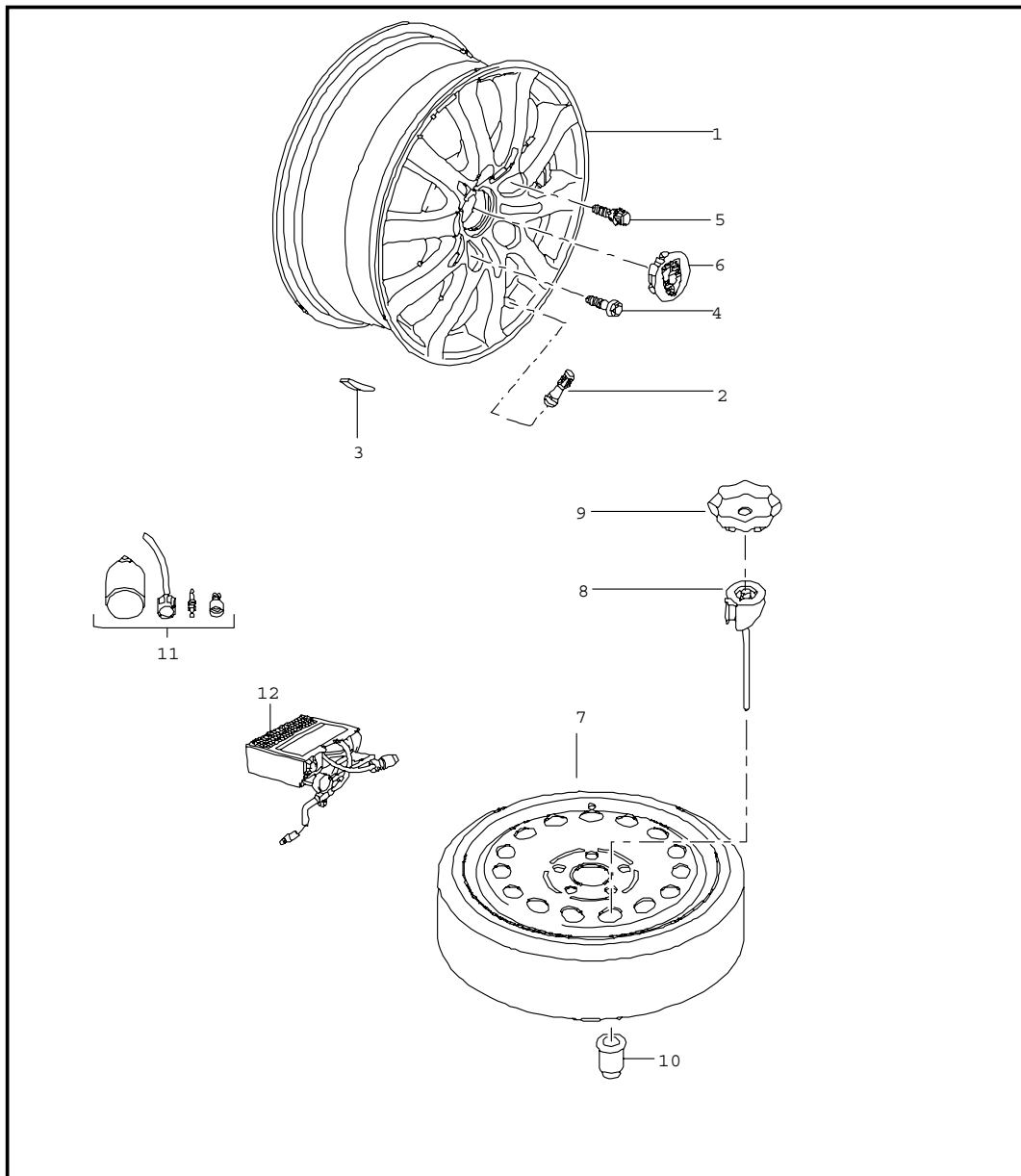


Pos	Part Number	Name	Remarks	Qty	Model
		springs cross member spring strut			I1BK
1	955 333 321 20	cross member		1	
2	N 105 056 01	hexagon-head bolt M 12 X 1,5 X 80		4	
3	955 333 033 20	spring strut complete see technical manual group 4 43-01 F >>9P6LA 04148	/L 04-	1	ID9J
(3)	955 333 033 21	spring strut complete see technical manual group 4 43-01 F 9P6LA 04149>>	/L	1	ID9J
(3)	955 333 034 20	spring strut complete see technical manual group 4 43-01 F >>9P6LA 04148	/R 04-	1	ID9J
(3)	955 333 034 21	spring strut complete see technical manual group 4 43-01 F 9P6LA 04149>>	/R	1	ID9J
(3)	955 333 033 42	spring strut complete see technical manual group 4 43-01 F >>9P6LA 44325 F >>9P6LA 81932	/L	1	ID9K/ID9L
(3)	955 333 033 43	spring strut complete see technical manual group 4 43-01 F 9P6LA 44326>> F 9P6LA 81933>>	/L	1	ID9K/ID9L

Model	Year	MG	SG	Illustration	Restrictions	Update	18:43	16.08.2006	PORSCHE	PET	PORSCHE
9pa	06	5	02	502-01		203					

Pos	Part Number	Name	Remarks	Qty	Model	Pos	Part Number	Name	Remarks	Qty	Model
(3)	955 333 034 42	spring strut complete see technical manual group 4 43-01 F >>9P6LA 44325 F >>9P6LA 81932	/R	1	ID9K/ID9L	12	955 358 541 00	push-on connector lines		2	
						13	955 333 105 30	rubber stop		2	
						14	955 358 725 00	clamp		2	
						15	955 343 505 10	bellows		2	
(3)	955 333 034 43	spring strut complete see technical manual group 4 43-01 F 9P6LA 44326>> F 9P6LA 81933>>	/R	1	ID9K/ID9L	16	N 904 324 02	sealing ring 70 x 4		2	
						17	955 333 051 20	shock absorber F >>9P6LA 04148 F >>9P6LA 44325 F >>9P6LA 81932	/L	1	
4	955 333 015 30	bearing bracket		2		(17)	955 333 051 21	shock absorber F 9P6LA 04149>> F 9P6LA 44326>> F 9P6LA 81933>>	/L	1	
5	N 101 277 06	hexagon-head bolt M 8 x 26 F >>9P6LA 04148 F >>9P6LA 44325 F >>9P6LA 81932		8		(17)	955 333 052 20	shock absorber F >>9P6LA 04148 F >>9P6LA 44325 F >>9P6LA 81932	/R	1	
(5)	N 101 277 07	hexagon-head bolt M 8 x 26 F 9P6LA 04149>> F 9P6LA 44326>> F 9P6LA 81933>>		8		(17)	955 333 052 21	shock absorber F 9P6LA 04149>> F 9P6LA 44326>> F 9P6LA 81933>>	/R	1	
6	N 909 664 01	hexagon nut M 12 x 1,5 F >>9P6LA 04148 F >>9P6LA 44325 F >>9P6LA 81932		2		18	955 333 421 01	protection cap	/L	1	
(6)	N 909 664 02	hexagon nut M 12 x 1,5 F 9P6LA 04149>> F 9P6LA 44326>> F 9P6LA 81933>>		2		(18)	955 333 422 01	protection cap	/R	1	
7	955 343 018 10	supporting mount		2		19	N 023 002 8	hexagon nut M 6		2	
8	N 910 956 01	sealing ring 96 x 4		2		20	N 908 476 01	hexagon-head bolt M 10 X 25		8	
9	955 358 503 10	air spring		2	ID9J	21	955 511 645 00	clip		4	
(9)	955 358 503 00	air spring		2	ID9K/ID9L	22	N 105 924 01	hexagon-head bolt M 12 X 1,5 X 120		2	
10	955 358 730 00	pressure holding valve with sealing ring		2		23	N 104 029 01	hexagon nut M 12 X 1,5		2	
11	955 358 722 00	sealing ring 8 x 1,5		2		24	000 043 204 68	grease Syntheso Glep 1 1 50-g tube		1	
								- - - E N D - - -			

Model	Year	MG	SG	Illustration	Restrictions	Update	18:43	16.08.2006	PORSCHE	PET	PORSCHE
9pa	06	6	01	601-00		203					



Pos	Part Number	Name	Remarks	Qty	Model
		wheels			
1	A 955 362 126 00	disc wheel 7,5 J X 17 ET 53 for cars without tyre pressure monit. sys.	04-	4	ICJ1
	9A1	silver			
1	A 955 362 126 00	disc wheel 7,5 J X 17 ET 53 for cars without tyre pressure monit. sys.	04-	5	ICJ1/I1G3
	9A1	silver			
1	955 362 126 01	disc wheel 7,5 J X 17 ET 53	04-	4	ICJ1
	9A1	silver			
1	955 362 126 01	disc wheel 7,5 J X 17 ET 53	04-	5	ICJ1/I1G3
	9A1	silver			
(1)	955 362 136 10	disc wheel 8 J X 18 ET 57		4	ICJ2
	9A1	silver			
(1)	955 362 136 10	disc wheel 8 J X 18 ET 57		5	ICJ2/I1G3
	9A1	silver			
(1)	955 362 136 30	disc wheel 8 J X 18 ET 57		4	ICJ6
	9A1	silver			
(1)	955 362 136 30	disc wheel 8 J X 18 ET 57		5	ICJ6/I1G3
	9A1	silver			
(1)	955 362 138 20	disc wheel 9 J X 19 ET 60		4	ICJ3

Model	Year	MG	SG	Illustration	Restrictions	Update	18:43	16.08.2006	PORSCHE	PET	PORSCHE
9pa	06	6	01	601-00		203					

Pos	Part Number	Name	Remarks	Qty	Model	Pos	Part Number	Name	Remarks	Qty	Model
(1)	955 362 138 20	9A1 silver disc wheel 9 J X 19 ET 60		5	ICJ3/I1G3		9A1 silver see technical information group 4 NR.9/04				
(1)	955 362 138 20	9A1 silver disc wheel 9 J X 19 ET 60 it is necessary to rework paint		4	ICP7	(1)	955 362 140 60	disc wheel 9 J X 20 ET 60	04	4	ICS6
(1)	955 362 138 20	9A1 silver disc wheel 9 J X 19 ET 60 it is necessary to rework paint		5	ICP7/I1G3	(1)	955 362 140 60	disc wheel 9 J X 20 ET 60	04	5	ICS6/I1G3
(1)	955 362 140 50	9A1 silver disc wheel 9 J X 20 ET 60	-04	4	ICS5	(1)	955 362 140 60	disc wheel 9 J X 20 ET 60 it is necessary to rework paint	04	4	ICT1
(1)	955 362 140 50	9A1 silver see technical information group 4 NR.9/04 disc wheel 9 J X 20 ET 60	-04	5	ICS5/I1G3	(1)	955 362 140 60	disc wheel 9 J X 20 ET 60 it is necessary to rework paint	04	5	ICT1/I1G3
(1)	955 362 140 80	9A1 silver see technical information group 4 NR.9/04 disc wheel 9 J X 20 ET 60	05-	4	ICS5		9A1 silver see technical information group 4 NR.9/04				
(1)	955 362 140 80	9A1 silver see technical information group 4 NR.9/04 disc wheel 9 J X 20 ET 60	05-	5	ICS5/I1G3	(1)	955 362 140 90	disc wheel 9 J X 20 ET 60	05-	4	ICS6
						(1)	955 362 140 90	disc wheel 9 J X 20 ET 60	05-	5	ICS6/I1G3

Model	Year	MG	SG	Illustration	Restrictions	Update	18:43	16.08.2006	PORSCHE	PET	PORSCHE
9pa	06	6	01	601-00		203					

Pos	Part Number	Name	Remarks	Qty	Model	Pos	Part Number	Name	Remarks	Qty	Model
	9A1	silver see technical information group 4 NR.9/04				(2)	900 265 001 50	rubber valve		4	
						(2)	900 265 001 50	rubber valve		5	I1G3
(1)	955 362 140 90	disc wheel 9 J X 20 ET 60 it is necessary to rework paint	05-	4	ICT1	-	955 361 163 00	cap		4	
						-	955 361 163 00	cap		5	I1G3
	9A1	silver see technical information group 4 NR.9/04				(2)	valve tyre pressure monit. sys. see group 6/01/05		4	I7K3/I7K4
(1)	955 362 140 90	disc wheel 9 J X 20 ET 60 it is necessary to rework paint	05-	5	ICT1/I1G3	3 A	955 361 410 50	balance stick-on weight 5 G.	-04	X	
						(3)	1K0 601 178 C	balance stick-on weight 5 G.	05	X	
						(3)	997 361 405 00	balance stick-on weight 5 G.	06-	X	
	9A1	silver see technical information group 4 NR.9/04				3 A	955 361 410 00	balance stick-on weight 10 G.	-04	X	
(1)	955 362 140 90	disc wheel 9 J X 20 ET 60	/V 05-	2	ICY3	(3)	1K0 601 179 C	balance stick-on weight 10 G.	05	X	
						(3)	997 361 410 00	balance stick-on weight 10 G.	06-	X	
	9A1	silver				3 A	955 361 411 50	balance stick-on weight 15 G.	-04	X	
(1)	955 362 140 90	disc wheel 9 J X 20 ET 60 it is necessary to rework paint	/V 05-	2	ICY4	(3)	1K0 601 181 C	balance stick-on weight 15 G.	05	X	
						(3)	997 361 415 00	balance stick-on weight 15 G.	06-	X	
	9A1	silver				3 A	955 361 411 00	balance stick-on weight 20 G.	-04	X	
(1)	955 362 142 00	disc wheel 10 J X 20 ET 55	/H 05-	2	ICY3	(3)	1K0 601 182 C	balance stick-on weight 20 G.	05	X	
						(3)	997 361 420 00	balance stick-on weight 20 G.	06-	X	
	9A1	silver				3 A	955 361 412 50	balance stick-on weight 25 G.	-04	X	
(1)	955 362 142 00	disc wheel 10 J X 20 ET 55 it is necessary to rework paint	/H 05-	2	ICY4	(3)	1K0 601 183 C	balance stick-on weight 25 G.	05	X	
						(3)	997 361 425 00	balance stick-on weight 25 G.	06-	X	
2	U 955 361 071 00	rubber valve		4							
2	U 955 361 071 00	rubber valve		5	I1G3						

Model	Year	MG	SG	Illustration	Restrictions	Update	18:43	16.08.2006	PORSCHE	PET	PORSCHE
9pa	06	6	01	601-00		203					

Pos	Part Number	Name	Remarks	Qty	Model	Pos	Part Number	Name	Remarks	Qty	Model
	3 A 955 361 412 00	balance stick-on weight 30 G.	-04	X		(3)	1K0 601 190 C	balance stick-on weight 60 G.	05	X	
(3)	1K0 601 184 C	balance stick-on weight 30 G.	05	X		(3)	997 361 460 00	balance stick-on weight 60 G.	06-	X	
(3)	997 361 430 00	balance stick-on weight 30 G.	06-	X		4 A 955 361 203 00	wheel bolt	03		16	
3 A	955 361 413 50	balance stick-on weight 35 G.	-04	X		4 A 955 361 203 00	wheel bolt	03		20	I1G3
(3)	1K0 601 185 C	balance stick-on weight 35 G.	05	X		(4)	955 361 203 01	wheel bolt	04-	16	
(3)	997 361 435 00	balance stick-on weight 35 G.	06-	X		(4)	955 361 203 01	wheel bolt	04-	20	I1G3
3 A	955 361 413 00	balance stick-on weight 40 G.	-04	X		5	955 361 057 00	wheel bolt anti-theft protection 1 set comprising: wheel bolt adapter		1	
(3)	1K0 601 186 C	balance stick-on weight 40 G.	05	X		(5)	955 361 057 02	wheel bolt anti-theft protection 1 set comprising: wheel bolt adapter	04-	1	
(3)	997 361 440 00	balance stick-on weight 40 G.	06-	X		(5)	955 361 057 01	wheel bolt anti-theft protection 1 set comprising: wheel bolt adapter		4 1	
3 A	955 361 414 50	balance stick-on weight 45 G.	-04	X		(5)	955 361 057 01	wheel bolt anti-theft protection 1 set comprising: wheel bolt adapter		1	I1G3
(3)	1K0 601 187 C	balance stick-on weight 45 G.	05	X		(5)	955 361 957 01	wheel bolt anti-theft protection 1 set comprising: wheel bolt adapter note coding		5 1	
(3)	997 361 445 00	balance stick-on weight 45 G.	06-	X						1	
3 A	955 361 414 00	balance stick-on weight 50 G.	-04	X						1	
(3)	1K0 601 188 C	balance stick-on weight 50 G.	05	X						1	
(3)	997 361 450 00	balance stick-on weight 50 G.	06-	X						1	
3 A	955 361 415 50	balance stick-on weight 55 G.	-04	X			050	coding			
(3)	1K0 601 189 C	balance stick-on weight 55 G.	05	X			051	coding			
(3)	997 361 455 00	balance stick-on weight 55 G.	06-	X			052	coding			
3 A	955 361 415 00	balance stick-on weight 60 G.	-04	X			053	coding			
							054	coding			
							055	coding			
							056	coding			
							057	coding			

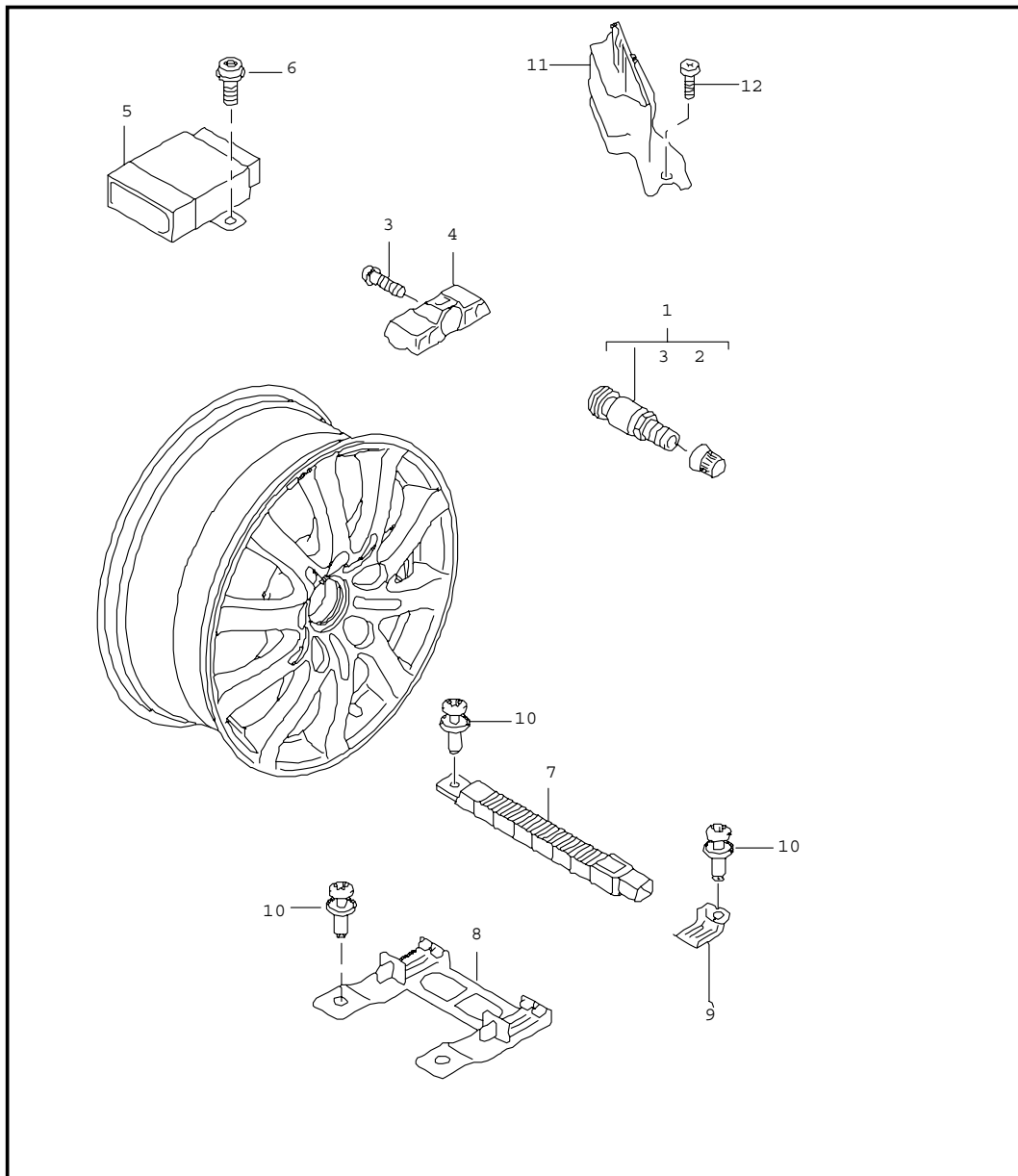
Model	Year	MG	SG	Illustration	Restrictions	Update	18:43	16.08.2006	PORSCHE	PET	PORSCHE
9pa	06	6	01	601-00		203					

Pos	Part Number	Name	Remarks	Qty	Model	Pos	Part Number	Name	Remarks	Qty	Model
	058	coding				(6)	955 361 303 02	hub cap star shaped		4	ICP7
	059	coding					9A1	silver			
	060	coding				(6)	955 361 303 02	hub cap star shaped		5	ICJ3/CS5/1G3
	061	coding					9A1	silver			
	062	coding				(6)	955 361 303 03	hub cap star shaped aluminium		4	ICJ6
	063	coding					9A1	silver			
	064	coding				(6)	955 361 303 03	hub cap star shaped aluminium		5	ICJ6/I1G3
	065	coding					9A1	silver			
	066	coding				(6)	955 361 303 03	hub cap star shaped aluminium			
	067	coding					9A1	silver			
	068	coding				(6)	955 361 303 05	hub cap round concave emblem coloured		4	ICJ1/ICS6
	069	coding					9A1	silver			
6	955 361 303 00	hub cap round concave		4	ICJ1/ICS6						
	9A1	silver									
6	955 361 303 00	hub cap round concave		4	ICT1/ICY3	(6)	955 361 303 05	hub cap round concave emblem coloured		4	ICT1/CY3/CY4
	9A1	silver									
6	955 361 303 00	hub cap round concave		5	ICJ1/CS6/1G3						
	9A1	silver				(6)	955 361 303 05	hub cap round concave emblem coloured		5	ICJ1/CS6/1G3
(6)	955 361 303 01	hub cap round convex		4	ICJ2						
	9A1	silver				(6)	955 361 303 06	hub cap round convex emblem coloured		4	ICJ2
(6)	955 361 303 01	hub cap round convex		5	ICJ2/I1G3						
	9A1	silver									
(6)	955 361 303 02	hub cap star shaped		4	ICJ3/ICS5						
	9A1	silver									

Model	Year	MG	SG	Illustration	Restrictions	Update	18:43	16.08.2006	PORSCHE	PET	PORSCHE
9pa	06	6	01	601-00		203					

Pos	Part Number	Name	Remarks	Qty	Model	Pos	Part Number	Name	Remarks	Qty	Model
(6)	955 361 303 06	hub cap round convex emblem coloured		5	ICJ2/I1G3	10	N 904 085 02	blind rivet nut AM 8		1	I1G1
	9A1	silver				11	955 722 631 00	compressed air bottle with sealing compound		1	I1G8
(6)	955 361 303 07	hub cap star shaped emblem coloured		4	ICJ3/ICS5	12	A 955 652 053 00	compressor		1	I1BA/1G1/1G6 I1G8
	9A1	silver				-	955 721 247 00	adapter for compressor 955.652.053.00		1	I1BA/1G1/1G6 I1G8/7K3/7K4
(6)	955 361 303 07	hub cap star shaped emblem coloured		4	ICP7	(12)	955 652 053 01	compressor		1	I1BA/1G1/1G6 I1G8
	9A1	silver						- - - E N D - - -			
(6)	955 361 303 07	hub cap star shaped emblem coloured		5	ICJ3/CS5/1G3						
	9A1	silver									
(6)	955 361 303 08	hub cap star shaped aluminium emblem coloured		4	ICJ6						
	9A1	silver									
(6)	955 361 303 08	hub cap star shaped aluminium emblem coloured		5	ICJ6/I1G3						
	9A1	silver									
7	955 362 050 00	emergency wheel with collapsible tire 6,5 J X 17 ET 40	04-	1	I1G6/I1LK						
7	955 362 050 10	emergency wheel with collapsible tire 6,5 J X 18 ET 53		1	I1G1						
8	955 362 533 10	fastening part		1	I1G1						
9	955 362 645 10	handle		1	I1G1						

Model	Year	MG	SG	Illustration	Restrictions	Update	18:43	16.08.2006	PORSCHE	PET	PORSCHE
9pa	06	6	01	601-05		203					

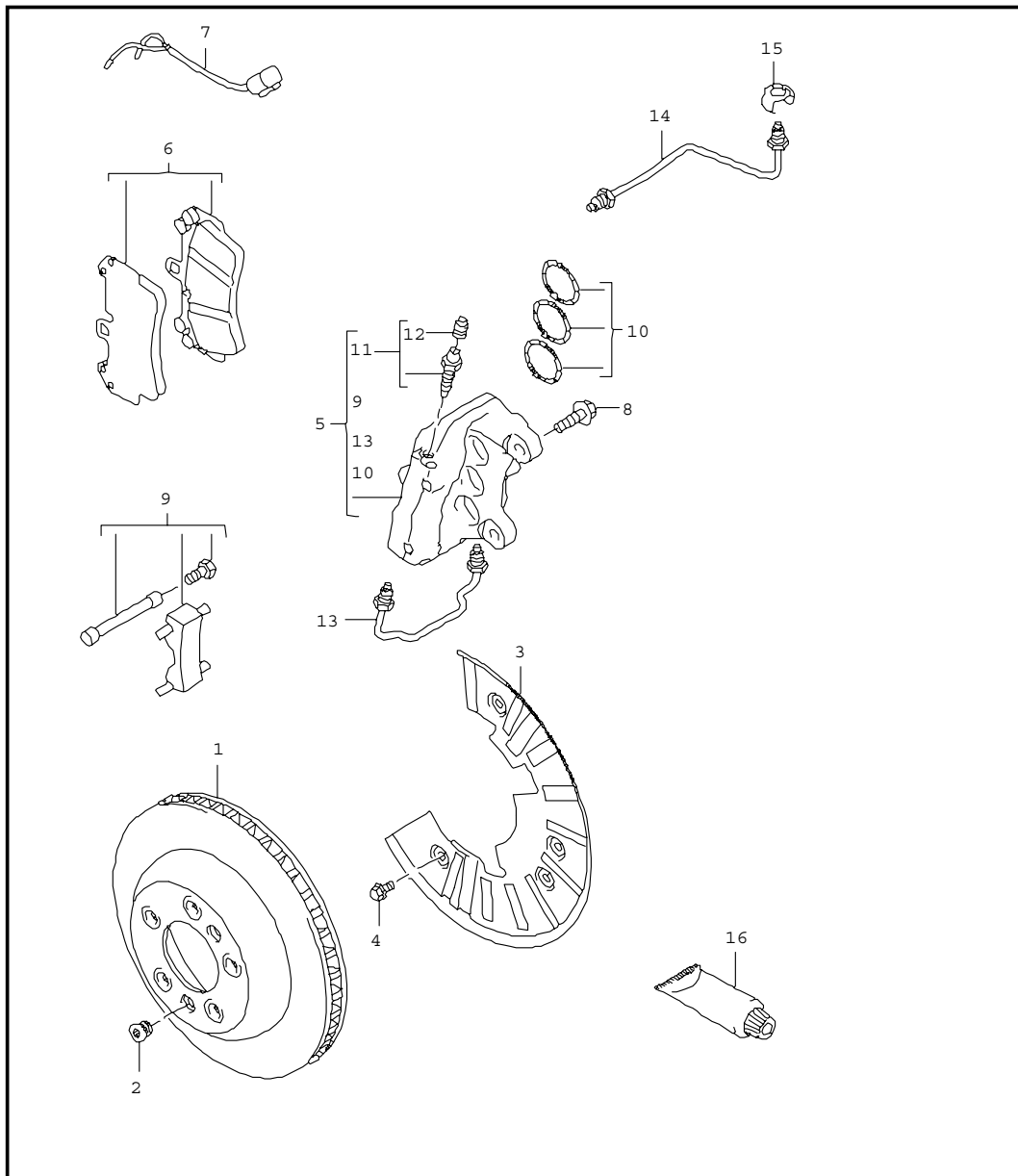


Pos	Part Number	Name	Remarks	Qty	Model
		tyre pressure monit. sys.			I7K3/I7K4
1	955 361 053 00	valve aluminium		4	
2	N 908 729 01	cap		4	
3	4D0 601 365	fastening screw		4	
4	955 361 661 00	sensor use also: 955.361.053.00		4	I7K3
(4) A	955 361 661 10	sensor use also: 955.361.053.00		4	I7K4
(4)	955 361 661 11	sensor use also: 955.361.053.00		4	I7K4
5 A	955 618 160 02	control unit tyre pressure gauge see technical information group 4 NR. 12/03		1	I7K3
(5) A	955 618 160 03	control unit tyre pressure gauge see technical information group 4 NR. 12/03		1	I7K3
(5) A	955 618 160 04	control unit tyre pressure gauge see technical information group 4 NR. 12/03		1	I7K3
(5)	955 618 160 05	control unit tyre pressure gauge		1	I7K3
(5) A	955 618 160 10	control unit tyre pressure gauge see technical information group 4 NR. 12/03		1	I7K4
(5) A	955 618 160 11	control unit tyre pressure gauge see technical information group 4 NR. 12/03		1	I7K4
(5)	955 618 160 12	control unit tyre pressure gauge		1	I7K4

Model	Year	MG	SG	Illustration	Restrictions	Update	18:43	16.08.2006	PORSCHE	PET	PORSCHE
9pa	06	6	01	601-05		203					

Pos	Part Number	Name	Remarks	Qty	Model	Pos	Part Number	Name	Remarks	Qty	Model
6	N 102 480 01	pan-head screw M 6 X 14	-05	2							
(6)	N 102 480 03	pan-head screw M 6 X 14	06-	2							
7	955 647 111 00	antenna		4	I7K3						
(7)	955 647 111 10	antenna		4	I7K4						
8	955 647 161 00	support antenna front		2							
9	955 647 171 10	support antenna rear		2							
10	999 591 941 40	expansion rivet		8							
11	955 618 165 00	support control unit tyre pressure gauge	/RL	1							
-	999 591 941 40	expansion rivet mount control unit tyre pressure gauge	/RL	1							
12	955 423 157 10	screw DG 6 X 18	/RL	1							
		- - - E N D - - -									

Model	Year	MG	SG	Illustration	Restrictions	Update	18:44	16.08.2006	PORSCHE	PET	PORSCHE
9pa	06	6	02	602-00		203					



Pos	Part Number	Name	Remarks	Qty	Model
		disc brake front axle			
1	955 351 401 40	brake disc use also: hexagon-head bolt N .906.854.02	/L 04-05	1	I1LK
(1)	955 351 401 41	brake disc use also: hexagon-head bolt N .906.854.02	/L 06-	2	I1LK
(1)	955 351 402 40	brake disc use also: hexagon-head bolt N .906.854.02	/R 04-05	1	I1LK
(1)	955 351 402 41	brake disc use also: hexagon-head bolt N .906.854.02	/R 06-	2	I1LK
(1)	955 351 401 50	brake disc use also: hexagon-head bolt N .906.854.02	/L -05	1	I1LL/I1LM
(1)	955 351 401 51	brake disc use also: hexagon-head bolt N .906.854.02	/L 06-	2	I1LL/I1LM
(1)	955 351 402 50	brake disc use also: hexagon-head bolt N .906.854.02	/R -05	1	I1LL/I1LM
(1)	955 351 402 51	brake disc use also: hexagon-head bolt N .906.854.02	/R 06-	2	I1LL/I1LM
(1)	955 351 401 60	brake disc use also: hexagon-head bolt N .906.854.02	/L 05	1	I1LH/IE81
(1)	955 351 401 61	brake disc use also: hexagon-head bolt N .906.854.02	/L 06-	2	I1LH/IE81
(1)	955 351 401 61	brake disc use also: hexagon-head bolt N .906.854.02	/L 06-	2	I1LH/IE8A

Model	Year	MG	SG	Illustration	Restrictions	Update	18:44	16.08.2006	PORSCHE	PET	PORSCHE
9pa	06	6	02	602-00		203					

Pos	Part Number	Name	Remarks	Qty	Model	Pos	Part Number	Name	Remarks	Qty	Model
(1)	955 351 402 60	brake disc use also: hexagon-head bolt N .906.854.02	/R 05	1	I1LH/IE81	(5)	955 351 422 30	fixed calliper without pad black lacquered use also: hexagon-head bolt N .906.854.02 F >>9P4LA 00508	/R 04-	1	I1LK
(1)	955 351 402 61	brake disc use also: hexagon-head bolt N .906.854.02	/R 06-	1	I1LH/IE81					2	
(1)	955 351 402 61	brake disc use also: hexagon-head bolt N .906.854.02	/R 06-	1	I1LH/IE8A	(5)	955 351 422 31	fixed calliper without pad black anodised use also: hexagon-head bolt N .906.854.02 F 9P4LA 00509>>	/R -05	1	I1LK
2	N 910 282 01	torx screw M 12 X 1,5 X 19,3		2						2	
3	955 351 801 20	cover plate		2		(5)	955 351 422 32	fixed calliper without pad black anodised use also: hexagon-head bolt N .906.854.02	/R 06-	1	I1LK
(3)	955 351 801 51	cover plate	05-	2	I1LH/IE81					2	
(3)	955 351 801 51	cover plate	06-	2	I1LH/IE8A					2	
4	N 010 237 12	hexagon-head bolt M 8 X 12		6		(5)	955 351 421 50	fixed calliper without pad silver lacquered use also: hexagon-head bolt N .906.854.02	/L -05	1	I1LL
5	955 351 421 30	fixed calliper without pad black lacquered use also: hexagon-head bolt N .906.854.02 F >>9P4LA 00508	/L 04-	1	I1LK					2	
(5)	955 351 421 31	fixed calliper without pad black anodised use also: hexagon-head bolt N .906.854.02 F 9P4LA 00509>>	/L -05	1	I1LK	(5) U	955 351 421 51	fixed calliper without pad silver anodised use also: hexagon-head bolt N .906.854.02	/L	1	I1LL
(5)	955 351 421 32	fixed calliper without pad black anodised use also: hexagon-head bolt N .906.854.02	/L 06-	1	I1LK	(5)	955 351 421 52	fixed calliper without pad silver anodised use also: hexagon-head bolt N .906.854.02	/L 06-	1	I1LL
(5)	955 351 421 32	fixed calliper without pad black anodised use also: hexagon-head bolt N .906.854.02	/L 06-	1	I1LK	(5)	955 351 422 50	fixed calliper without pad silver lacquered use also: hexagon-head bolt N .906.854.02	/R -05	1	I1LL
				2						2	

Model	Year	MG	SG	Illustration	Restrictions	Update	18:44	16.08.2006	PORSCHE	PET	PORSCHE
9pa	06	6	02	602-00		203					

Pos	Part Number	Name	Remarks	Qty	Model	Pos	Part Number	Name	Remarks	Qty	Model
(5)	U 955 351 422 51	fixed calliper without pad silver anodised use also: hexagon-head bolt N .906.854.02	/R	1	I1LL	(5)	955 351 421 61	fixed calliper without pad red lacquered use also: hexagon-head bolt N .906.854.02	/L 06-	1	I1LH/IE8A
				2						2	
(5)	955 351 422 52	fixed calliper without pad silver anodised use also: hexagon-head bolt N .906.854.02	/R 06-	1	I1LL	(5)	955 351 422 61	fixed calliper without pad red lacquered use also: hexagon-head bolt N .906.854.02	/R 05-	1	I1LH/IE81
				2						2	
(5)	955 351 421 20	fixed calliper without pad red lacquered use also: hexagon-head bolt N .906.854.02	/L -05	1	I1LM	(5)	955 351 422 61	fixed calliper without pad red lacquered use also: hexagon-head bolt N .906.854.02	/R 06-	1	I1LH/IE8A
				2						2	
(5)	955 351 421 21	fixed calliper without pad red lacquered use also: hexagon-head bolt N .906.854.02	/L 06-	1	I1LM	6 U	955 351 939 02	set of brake pads comprising: brake pad use also: mounting parts	04-	1	I1LK
				2						4	
(5)	955 351 422 20	fixed calliper without pad red lacquered use also: hexagon-head bolt N .906.854.02	/R -05	1	I1LM	(6)	955 351 939 03	set of brake pads comprising: brake pad use also: mounting parts	04-05	1	I1LK
				2						4	
(5)	955 351 422 21	fixed calliper without pad red lacquered use also: hexagon-head bolt N .906.854.02	/R 06-	1	I1LM	(6)	955 351 939 04	set of brake pads comprising: brake pad use also: mounting parts	06-	1	I1LK
				2						4	
(5)	955 351 421 61	fixed calliper without pad red lacquered use also: hexagon-head bolt N .906.854.02	/L 05-	1	I1LH/IE81	6 U	955 351 939 10	set of brake pads comprising: brake pad use also: mounting parts		1	I1LL/I1LM
				2						4	
						6 U	955 351 939 12	set of brake pads comprising: brake pad use also: mounting parts		1	I1LL/I1LM
										4	

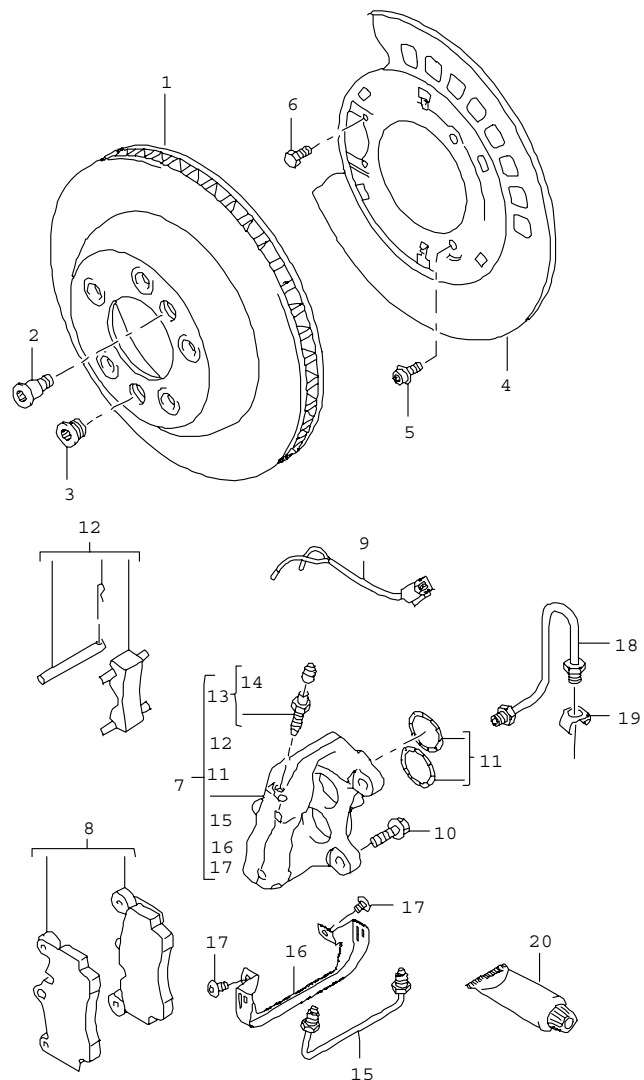
Model	Year	MG	SG	Illustration	Restrictions	Update	18:44	16.08.2006	PORSCHE	PET	PORSCHE
9pa	06	6	02	602-00		203					

Pos	Part Number	Name	Remarks	Qty	Model	Pos	Part Number	Name	Remarks	Qty	Model
(6)	955 351 939 13	set of brake pads comprising: brake pad use also: mounting parts	-05	1	I1LL/I1LM	(9)	955 351 959 50	repair kit mounting parts strut spring locking screw	06-	1	I1LH/IE8A
				4						2	
										2	
										2	
(6)	955 351 939 14	set of brake pads comprising: brake pad use also: mounting parts	06-	1	I1LL/I1LM	10	955 351 915 01	repair kit protection caps 34/36/38 MM for fixed calliper	04-	2	I1LK
				4						1	
(6)	955 351 939 50	set of brake pads comprising: brake pad use also: mounting parts	05-	1	I1LH/IE81	10	955 351 915 10	repair kit protection caps 30/34/38 MM for fixed calliper		2	I1LL/I1LM
				4						1	
(6)	955 351 939 50	set of brake pads comprising: brake pad use also: mounting parts	06-	1	I1LH/IE8A	(10)	955 351 915 50	repair kit protection caps 32/36/38 MM for fixed calliper	05-	2	I1LH/IE81
				4						1	
7	955 612 365 00	warning contact		2		(10)	955 351 915 50	repair kit protection caps 32/36/38 MM for fixed calliper	06-	2	I1LH/IE8A
(7)	955 612 365 50	warning contact	05-	2	I1LH/IE81					1	
(7)	955 612 365 50	warning contact	06-	2	I1LH/IE8A	11	930 351 919 00	ventilation valve with dust boot		4	
-	944 612 627 00	holder for warning contact	05-	2	I1LH/IE81	12	930 351 927 00	dust boot		4	
-	944 612 627 00	holder for warning contact	06-	2	I1LH/IE8A	13	955 351 961 00	connecting line	04-	2	I1LK
8	N 906 854 02	hexagon-head bolt M 16 X 1,5 X 48		4		(13)	955 351 961 10	connecting line		2	I1LL/I1LM
9	955 351 959 00	repair kit mounting parts strut spring locking screw		1		(13)	955 351 961 50	connecting line	05-	2	I1LH/IE81
				2		(13)	955 351 961 50	connecting line	06-	2	I1LH/IE8A
				2							
				2							
(9)	955 351 959 50	repair kit mounting parts strut spring locking screw	05-	1	I1LH/IE81	15	retainer spring see illustrations 6/04/10		1	
				2							
				2							
				2		16	000 043 117 00	brake cylinder paste 1 50-g tube		X	

Model	Year	MG	SG	Illustration	Restrictions	Update	18:44	16.08.2006	PORSCHE	PET	PORSCHE
9pa	06	6	02	602-00		203					

Pos	Part Number	Name	Remarks	Qty	Model	Pos	Part Number	Name	Remarks	Qty	Model
(16)	000 043 020 00	optimoly 1 tube 100 g - - - E N D - - -		X							

Model	Year	MG	SG	Illustration	Restrictions	Update	18:44	16.08.2006	PORSCHE	PET	PORSCHE
9pa	06	6	03	603-00		203					



Pos	Part Number	Name	Remarks	Qty	Model
1	955 352 401 30	disc brake rear axle			
		brake disc	-05	2	
		use also:			
		pan-head screw		4	
		N .105.556.01			
(1)	955 352 401 31	brake disc	06-	2	
		use also:			
		pan-head screw		4	
		N .105.556.01			
(1)	955 352 401 50	brake disc	05	2	I1KU/IE81
		use also:			
		pan-head screw		4	
		N .105.556.01			
(1)	955 352 401 51	brake disc	06-	2	I1KU/IE81
		use also:			
		pan-head screw		4	
		N .105.556.01			
(1)	955 352 401 51	brake disc	06-	2	I1KU/IE8A
		use also:			
		pan-head screw		4	
		N .105.556.01			
2	N 910 282 01	torx screw		2	
		M 12 X 1,5 X 19,3			
3	N 910 380 01	screw plug		2	
		M 12 X 1,5 X 5,0			
4	955 352 801 20	supporting plate	/L	1	
(4)	955 352 802 20	supporting plate	/R	1	
(4)	955 352 801 50	supporting plate	/L 05-	1	I1KU/IE81
(4)	955 352 801 50	supporting plate	/L 06-	1	I1KU/IE8A
(4)	955 352 802 50	supporting plate	/R 05-	1	I1KU/IE81
(4)	955 352 802 50	supporting plate	/R 06-	1	I1KU/IE8A
5	N 014 739 10	pan-head screw		4	
		M 8 X 16			
6	N 909 768 01	hexagon-head bolt		4	
		M 6 X 12			

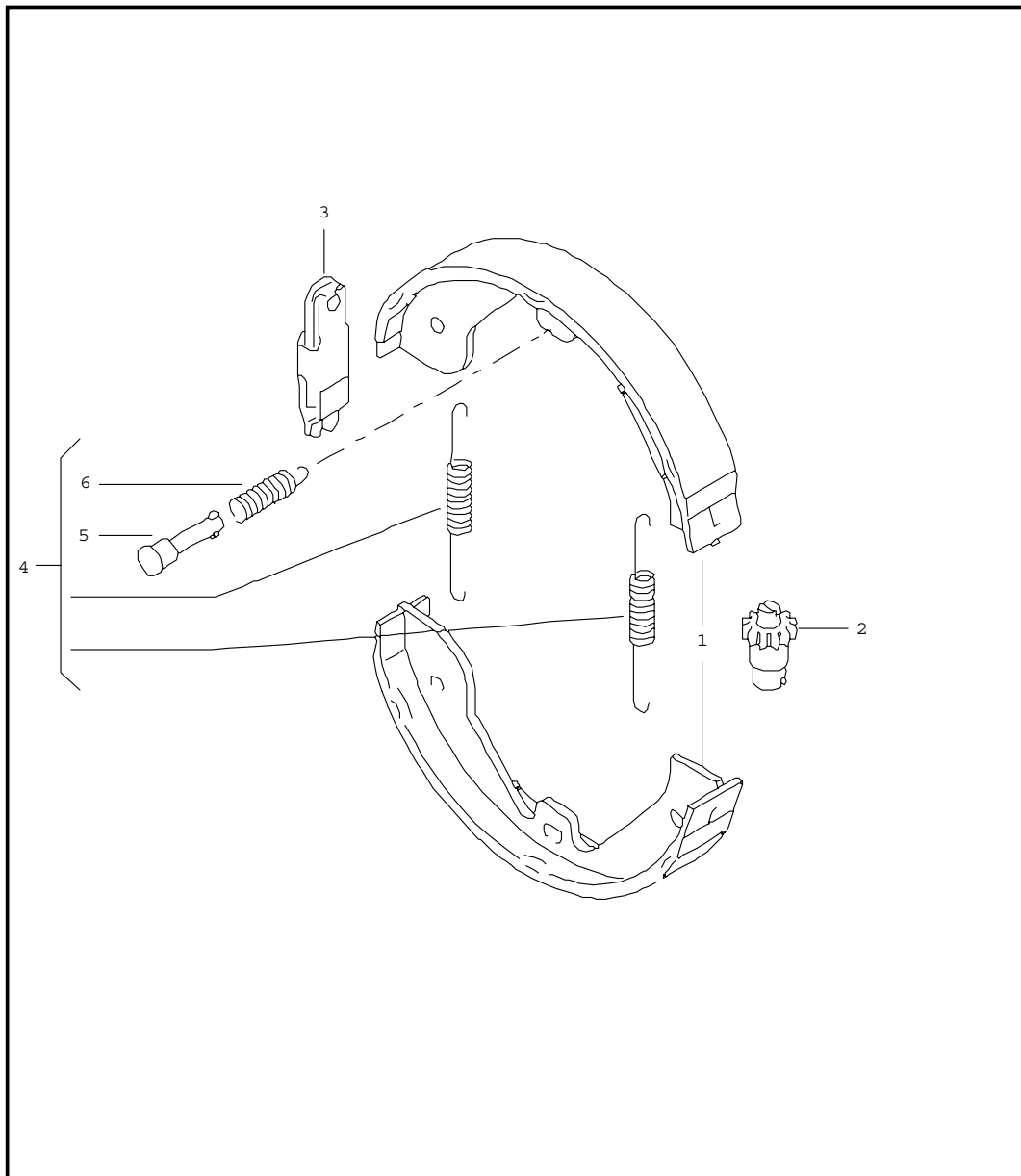
Model	Year	MG	SG	Illustration	Restrictions	Update	18:44	16.08.2006	PORSCHE	PET	PORSCHE
9pa	06	6	03	603-00		203					

Pos	Part Number	Name	Remarks	Qty	Model	Pos	Part Number	Name	Remarks	Qty	Model
7	955 352 421 30	fixed calliper without pad black lacquered use also: pan-head screw N .105.556.01 F >>9P4LA 00508	/L 04-	1	I1KW	(7)	955 352 421 50	fixed calliper without pad red lacquered use also: pan-head screw N .105.556.01	/L	1	I1KZ
				2						2	
(7)	955 352 421 31	fixed calliper without pad black anodised use also: pan-head screw N .105.556.01 F 9P4LA 00509>>	/L	1	I1KW	(7)	955 352 422 50	fixed calliper without pad red lacquered use also: pan-head screw N .105.556.01	/R	1	I1KZ
				2						2	
(7)	955 352 422 30	fixed calliper without pad black lacquered use also: pan-head screw N .105.556.01 F >>9P4LA 00508	/R 04-	1	I1KW	(7)	955 352 421 61	fixed calliper without pad red lacquered use also: pan-head screw N .105.556.01	/L 05-	1	I1KU/IE81
				2						2	
(7)	955 352 422 31	fixed calliper without pad black anodised use also: pan-head screw N .105.556.01 F 9P4LA 00509>>	/R	1	I1KW	(7)	955 352 421 61	fixed calliper without pad red lacquered use also: pan-head screw N .105.556.01	/L 06-	1	I1KU/IE8A
				2						2	
(7)	955 352 421 40	fixed calliper without pad silver lacquered use also: pan-head screw N .105.556.01	/L	1	I1KY	(7)	955 352 422 61	fixed calliper without pad red lacquered use also: pan-head screw N .105.556.01	/R 05-	1	I1KU/IE81
				2						2	
(7)	955 352 422 40	fixed calliper without pad silver lacquered use also: pan-head screw N .105.556.01	/R	1	I1KY	(7)	955 352 422 61	fixed calliper without pad red lacquered use also: pan-head screw N .105.556.01	/R 06-	1	I1KU/IE8A
				2						2	
				2		8 U	955 352 939 00	set of brake pads comprising: brake pad use also: mounting parts		1	
										4	

Model	Year	MG	SG	Illustration	Restrictions	Update	18:44	16.08.2006	PORSCHE	PET	PORSCHE
9pa	06	6	03	603-00		203					

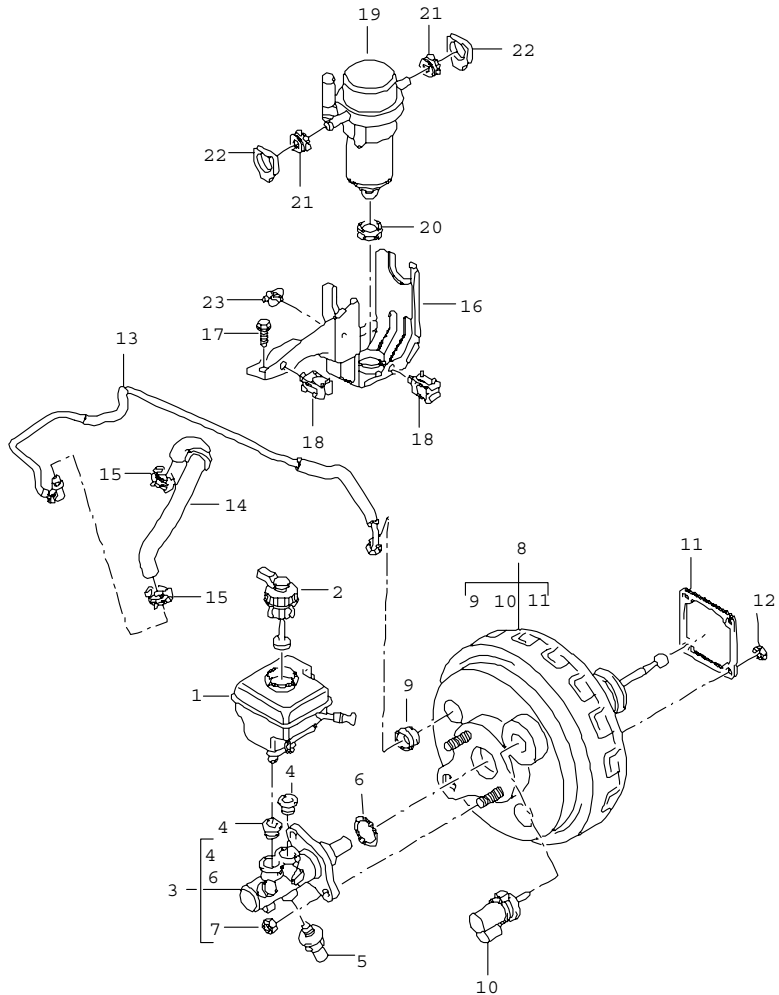
Pos	Part Number	Name	Remarks	Qty	Model	Pos	Part Number	Name	Remarks	Qty	Model
(8)	955 352 939 01	set of brake pads comprising: brake pad use also: mounting parts	-05	1		14	930 351 927 00	dust boot		4	
				4		15	955 352 961 20	connecting line		2	
(8)	955 352 939 02	set of brake pads comprising: brake pad use also: mounting parts	06-	1		(15)	955 352 961 50	connecting line	/L 05-	1	I1KU/IE81
				4		(15)	955 352 961 50	connecting line	/L 06-	1	I1KU/IE8A
						(15)	955 352 962 50	connecting line	/R 05-	1	I1KU/IE81
						(15)	955 352 962 50	connecting line	/R 06-	1	I1KU/IE8A
(8)	955 352 939 50	set of brake pads comprising: brake pad use also: mounting parts	05-	1	I1KU/IE81	16	955 352 963 00	protective plate connecting line		2	
				4		17	N 104 056 04	oval-head screw M 6 X 14		4	
(8)	955 352 939 50	set of brake pads comprising: brake pad use also: mounting parts	06-	1	I1KU/IE8A	18	brake line see illustrations 6/04/15		1	
				4		19	retainer spring see illustrations 6/04/15		1	
9	955 612 365 30	warning contact		2		20	000 043 117 00	brake cylinder paste 1 50-g tube		X	
10	N 105 556 01	pan-head screw M 14 X 1,5 X 40		4		(20)	000 043 020 00	optimoly 1 tube 100 g		X	
11	955 352 915 00	repair kit protection caps 28/30 MM for fixed calliper		2				- - - E N D - - -			
				1							
(11)	955 352 915 50	repair kit protection caps 28/32 MM for fixed calliper	05-	2	I1KU/IE81						
				1							
(11)	955 352 915 50	repair kit protection caps 28/32 MM for fixed calliper	06-	2	I1KU/IE8A						
				1							
12	955 352 960 00	repair kit mounting parts retaining pin spring retaining spring		1							
				2							
				2							
				2							
13	930 351 919 00	ventilation valve with dust boot		4							

Model	Year	MG	SG	Illustration	Restrictions	Update	18:44	16.08.2006	PORSCHE	PET	PORSCHE
9pa	06	6	03	603-05		203					



Pos	Part Number	Name	Remarks	Qty	Model
		foot-operat. parking brake			
1	955 352 925 00	brake shoe repair kit comprising: brake shoe use also: mounting parts		1	
2	955 352 098 00	adjusting nut complete		2	
3	955 352 073 00	expanding-lock complete		2	
4	955 352 945 00	repair kit mount brake shoe comprising: tension spring long tension spring short roll pin compression spring		2	
5	955 352 959 01	roll pin		4	
6	955 352 957 00	compression spring		4	
		- - - E N D - - -			

Model	Year	MG	SG	Illustration	Restrictions	Update	18:44	16.08.2006	PORSCHE	PET	PORSCHE
9pa	06	6	04	604-00		203					

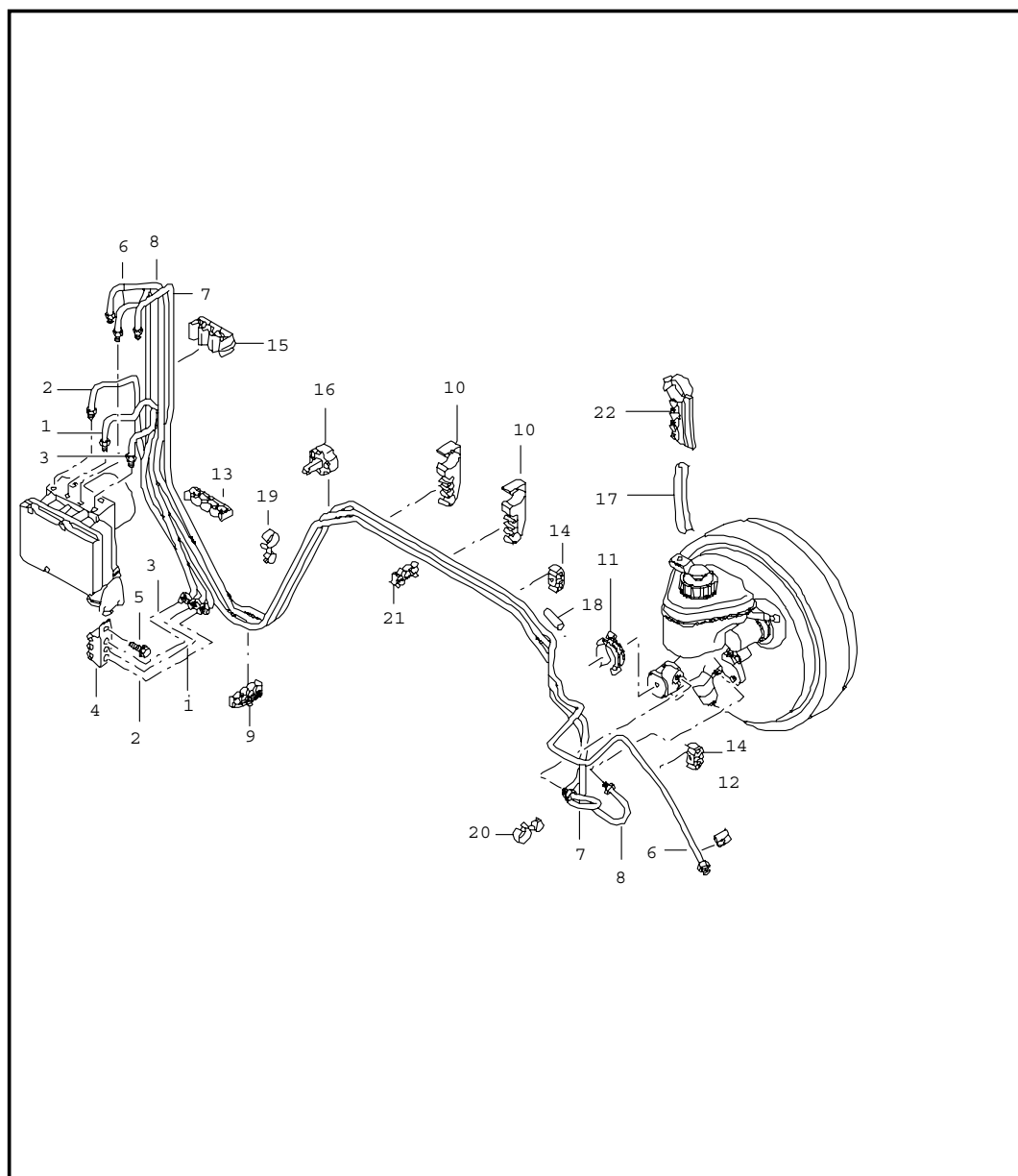


Pos	Part Number	Name	Remarks	Qty	Model
		brake master cylinder brake booster vacuum line vacuum pump			ID9L
1	955 355 113 00	brake fluid reservoir		1	
2	955 355 351 00	cover		1	
3	955 355 015 00	brake master cylinder	/LL	1	
(3)	955 355 016 00	brake master cylinder	/RL	1	
4	993 355 922 01	rubber seal		2	
5	955 355 305 00	pressure sensor		1	
6	955 355 912 00	sealing ring		1	
7	N 900 744 04	lock nut M 8		2	
8	955 355 923 00	brake booster	/LL	1	
(8)	955 355 924 00	brake booster	/RL	1	
9	955 355 921 00	plug		1	
10	955 355 902 00	way-sensor set		1	
11	955 355 901 00	gasket		1	
12	N 023 003 8	hexagon nut M 8		4	
13	955 355 577 01	vacuum line	/LL -05	1	ID9J/ID9K
(13)	955 355 577 02	vacuum line F >>9P6LA 03817 F >>9P6LA 43855	/LL 06-	1	ID9J/ID9K
(13)	955 355 577 03	vacuum line F 9P6LA 03818>> F 9P6LA 43856>>	/LL	1	ID9J/ID9K
(13)	955 355 577 50	vacuum line with pressure sensor	/LL -05	1	ID9L
(13)	955 355 577 51	vacuum line with pressure sensor F >>9P6LA 81768	/LL 06-	1	ID9L

Model	Year	MG	SG	Illustration	Restrictions	Update	18:44	16.08.2006	PORSCHE	PET	PORSCHE
9pa	06	6	04	604-00		203					

Pos	Part Number	Name	Remarks	Qty	Model	Pos	Part Number	Name	Remarks	Qty	Model
(13)	955 355 577 52	vacuum line with pressure sensor F 9P6LA 81769>>	/LL	1	ID9L	16	955 355 140 10	support vacuum pump		1	ID9L
(13)	955 355 578 03	vacuum line	/RL -05	1	ID9J/ID9K	17	N 101 563 02	hexagon-head bolt M 6 X 12		2	ID9L
(13)	955 355 578 04	vacuum line F >>9P6LA 03847 F >>9P6LA 43856	/RL 06-	1	ID9J/ID9K	18	N 909 435 01	hose holder		2	ID9L
(13)	955 355 578 05	vacuum line F 9P6LA 03848>> F 9P6LA 43857>>	/RL	1	ID9J/ID9K	19	A 955 355 617 00	vacuum pump		1	ID9L
(13)	955 355 578 52	vacuum line with pressure sensor	/RL -05	1	ID9L	(19)	955 355 617 01	vacuum pump		1	ID9L
(13)	955 355 578 53	vacuum line with pressure sensor	/RL 06-	1	ID9L	20	955 355 735 10	buffer		1	ID9L
(14)	955 355 579 21	vacuum hose with hose clamp	04-	1	ID9J	21	955 355 735 20	buffer		2	ID9L
14	955 355 579 01	vacuum hose		1	ID9K	22	955 355 537 00	fixing clip		2	ID9L
(14)	955 355 579 50	vacuum line	-05	1	ID9L	23	N 907 136 01	clip		1	ID9L
(14)	955 355 579 51	vacuum line	06-	1	ID9L	--	000 043 203 66	brake fluid SUPER DOT 4 1 LITER container		X	
15	955 355 719 00	hose clamp 20 X 12		2	ID9J/ID9K			- - - E N D - - -			
(15)	955 355 719 00	hose clamp 20 X 12 mount venturi tube		1	ID9L						
(15)	955 347 569 00	hose clamp 21 X 12 mount vacuum pump		1	ID9L						
-	955 355 625 00	support vacuum line mount water reservoir see group 1/05/25		1	ID9L						
-	N 909 435 01	hose holder see group 1/05/25		1	ID9L						

Model	Year	MG	SG	Illustration	Restrictions	Update	18:44	16.08.2006	PORSCHE	PET	PORSCHE
9pa	06	6	04	604-05		203					

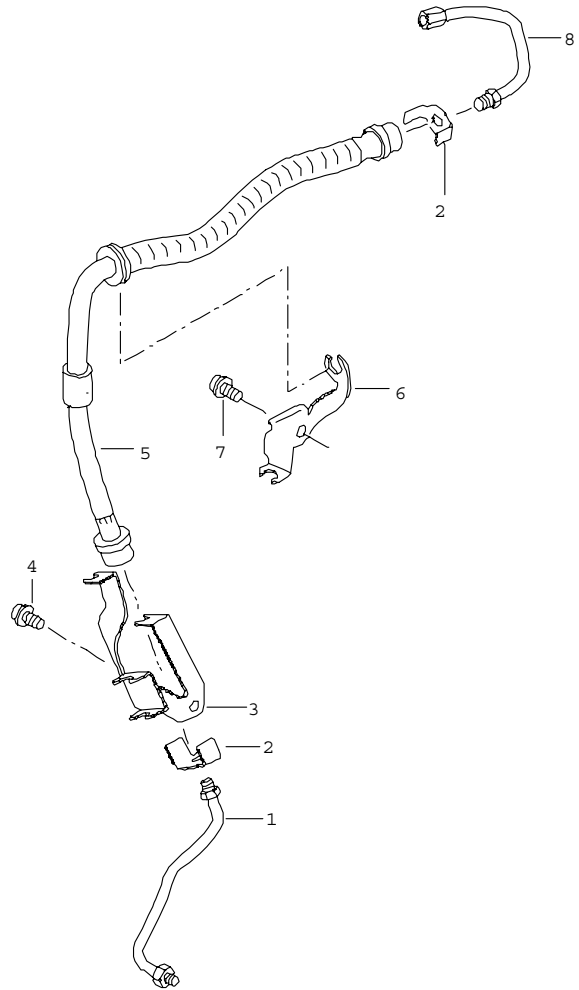


Pos	Part Number	Name	Remarks	Qty	Model
1	955 355 316 10	brake lines body front section pressure line F >>9P3LA 42023 F >>9P3LA 81273	/LL	1	
(1)	955 355 316 11	pressure line F 9P3LA 42024>> F 9P3LA 81274>> information available		1	
2	955 355 315 10	pressure line F >>9P3LA 42023 F >>9P3LA 81273 information available	/LL	1	
(2)	955 355 315 11	pressure line F 9P3LA 42024>> F 9P3LA 81274>> information available		1	
3	955 355 327 10	pressure line F >>9P3LA 42023 F >>9P3LA 81273 information available	/LL	1	
(3)	955 355 327 11	pressure line F 9P3LA 42024>> F 9P3LA 81274>> information available		1	
4 A	955 355 650 20	intermediate piece		1	
(4)	955 355 650 21	intermediate piece		1	
5	N 902 803 04	hexagon-head bolt		1	
6	955 355 325 41	pressure line F >>9P6LA 03817 F >>9P6LA 43855 F >>9P6LA 81768	/LL	1	
(6)	955 355 325 42	pressure line F 9P6LA 03818>> F 9P6LA 43856>> F 9P6LA 81769>>	/LL	1	
(6)	955 355 326 30	pressure line F >>9P6LA 03847 F >>9P6LA 43856 F >>9P6LA 81617	/RL	1	
(6)	955 355 326 31	pressure line F 9P6LA 03848>> F 9P6LA 43857>> F 9P6LA 81618>>	/RL	1	

Model	Year	MG	SG	Illustration	Restrictions	Update	18:44	16.08.2006	PORSCHE	PET	PORSCHE
9pa	06	6	04	604-05		203					

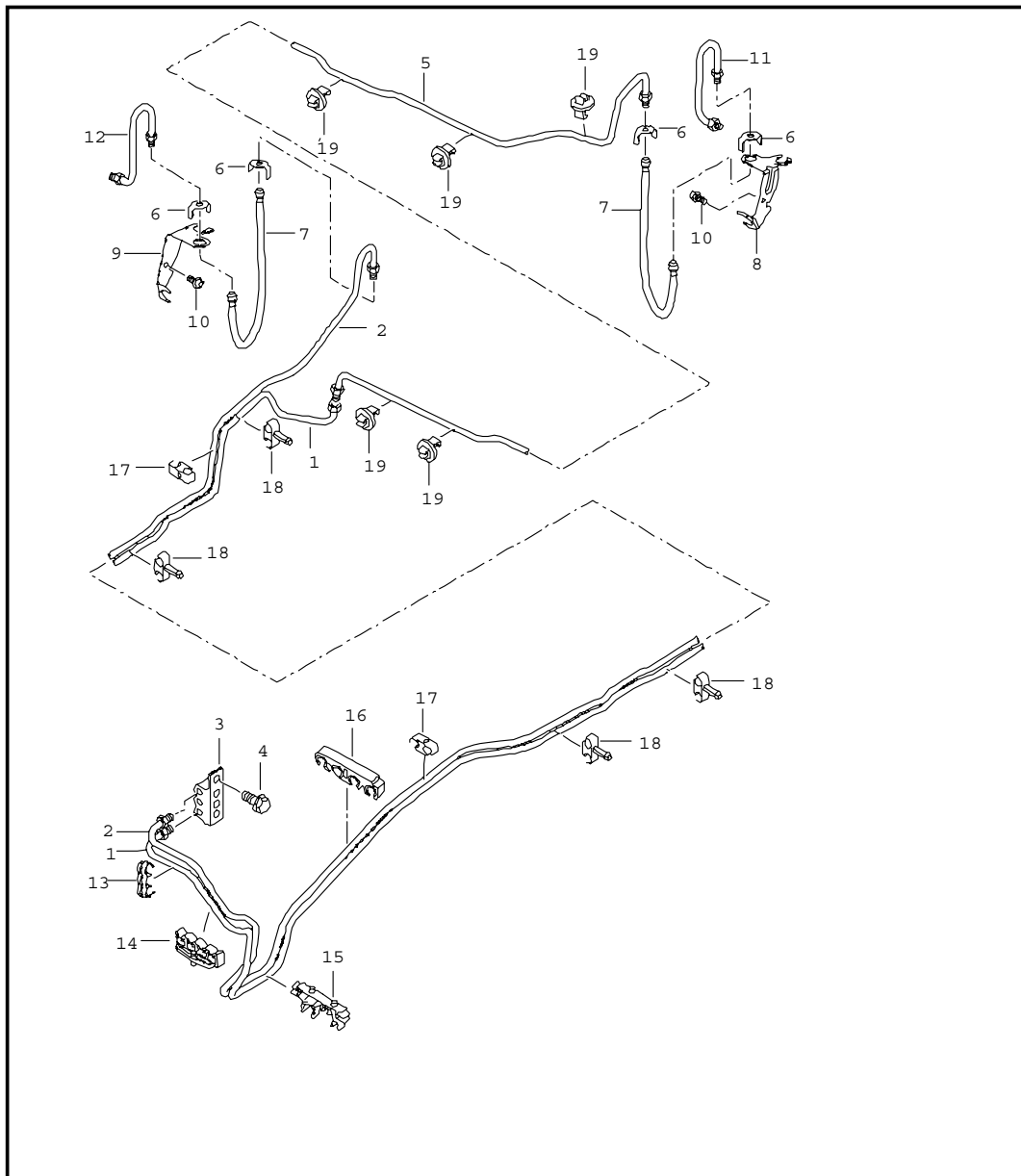
Pos	Part Number	Name	Remarks	Qty	Model	Pos	Part Number	Name	Remarks	Qty	Model
7	955 355 309 21	pressure line F >>9P6LA 03817 F >>9P6LA 43855 F >>9P6LA 81768	/LL	1		14	955 355 543 00	support	/RL	2	
(7)	955 355 309 22	pressure line F 9P6LA 03818>> F 9P6LA 43856>> F 9P6LA 81769>>	/LL	1		15	955 355 542 10	support	/RL	1	
(7) U	955 355 310 31	pressure line	/RL	1		16	955 355 550 00	connection piece	/RL	1	
(7)	955 355 310 32	pressure line	/RL	1		17	955 355 580 00	protective edging brake booster F >>9P6LA 03817 F >>9P6LA 43855 F >>9P6LA 81768	/LL	1	
8	955 355 313 21	pressure line F >>9P6LA 03817 F >>9P6LA 43855 F >>9P6LA 81768	/LL	1		(17)	955 355 590 00	protective edging brake booster	/RL	1	
(8)	955 355 313 22	pressure line F 9P6LA 03818>> F 9P6LA 43856>> F 9P6LA 81769>>	/LL	1		18	955 355 551 00	protective rubber pressure line	/LL	1	ID9L
(8)	955 355 314 31	pressure line	/RL	1		19	955 355 532 00	holder pressure line vacuum line F 9P6LA 03818>> F 9P6LA 43856>> F 9P6LA 81769>>	/LL	1	
9	955 355 544 00	holder F >>9P6LA 03817 F >>9P6LA 43855 F >>9P6LA 81768	/LL	1		20	955 355 532 00	holder pressure line vacuum line F 9P6LA 03848>> F 9P6LA 43857>>	/RL	1	ID9J/ID9K
(9)	955 355 544 10	holder F 9P6LA 03818>> F 9P6LA 43856>> F 9P6LA 81769>>	/LL	1		21	955 355 542 30	holder F 9P6LA 03818>> F 9P6LA 43856>> F 9P6LA 81769>>	/LL	1	
(9)	955 355 544 10	holder F 9P6LA 03848>> F 9P6LA 43858>> F 9P6LA 81618>>	/RL	1	I1BK	22	955 355 540 30	holder F 9P6LA 03818>> F 9P6LA 43856>> F 9P6LA 81769>>	/LL	1	
10	955 355 541 10	support		2		- - - E N D - - -					
11	N 105 993 01	support		1							
12	955 355 544 40	holder F >>9P6LA 03817 F >>9P6LA 43855 F >>9P6LA 81768	/LL	1							
(12)	999 651 331 40	cable holder F 9P6LA 03818>> F 9P6LA 43856>> F 9P6LA 81769>>	/LL	1							
13	955 355 540 00	support		1							

Model	Year	MG	SG	Illustration	Restrictions	Update	18:45	16.08.2006	PORSCHE	PET	PORSCHE
9pa	06	6	04	604-10		203					



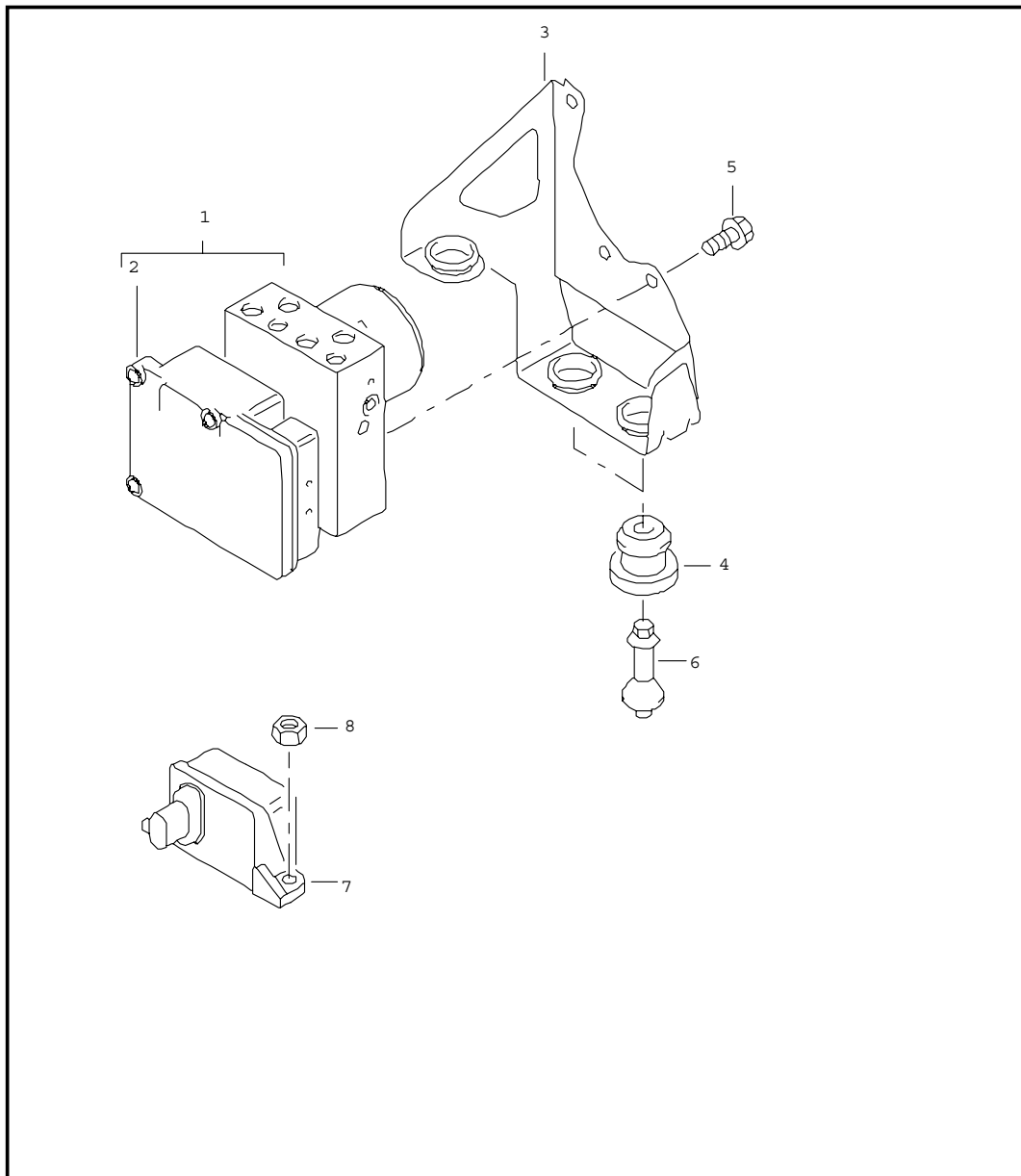
Pos	Part Number	Name	Remarks	Qty	Model
		brake lines front axle			
1	955 355 581 00	brake line	/L	1	
(1)	955 355 581 50	brake line	/L 05-	1	I1LH/IE81
(1)	955 355 581 50	brake line	/L 06-	1	I1LH/IE8A
(1)	955 355 582 00	brake line	/R	1	
(1)	955 355 582 50	brake line	/R 05-	1	I1LH/IE81
(1)	955 355 582 50	brake line	/R 06-	1	I1LH/IE8A
2	955 355 321 00	retainer spring		4	
3	955 355 501 00	support	/L	1	
(3)	955 355 502 00	support	/R	1	
4	N 903 086 05	pan-head screw M 8 X 14		2	
5	955 355 139 10	brake hose		2	
6	955 355 503 10	support	/L	1	
(6)	955 355 504 10	support	/R	1	
7	N 103 352 01	oval-head screw M 6 X 12		2	
8	955 355 175 20	brake line F >>9P3LA 43526 F >>9P3LA 81846	/L	1	
8	955 355 175 21	brake line F 9P3LA 43527>> F 9P3LA 81847>>	/L	1	
(8)	955 355 176 11	brake line	/R	1	
- - - E N D - - -					

Model	Year	MG	SG	Illustration	Restrictions	Update	18:45	16.08.2006	PORSCHE	PET	PORSCHE
9pa	06	6	04	604-15		203					



Pos	Part Number	Name	Remarks	Qty	Model
		brake lines underbody rear axle			
1	955 355 177 12	brake line	/L	1	
2	955 355 178 11	brake line	/R	1	
3	A 955 355 650 20	intermediate piece		1	
(3)	955 355 650 21	intermediate piece		1	
4	N 902 803 04	hexagon-head bolt M 6 X 20		1	
5	U 955 355 189 11	brake line	/L	1	
(5)	955 355 189 12	brake line	/L	1	
6	955 355 321 00	retainer spring		4	
7	955 355 060 00	brake hose		2	
8	955 355 505 10	support	/L	1	
9	955 355 506 10	support	/R	1	
10	N 101 563 02	hexagon-head bolt M 6 X 12		2	
11	955 355 583 00	brake line	/L	1	
12	955 355 584 00	brake line	/R	1	
13	955 355 548 00	support		1	
14	955 355 544 00	holder		1	
15	955 355 545 00	support		1	
16	955 355 543 20	support		1	
17	955 355 543 00	support		2	
18	A 955 355 546 00	support		4	
(18)	955 355 546 01	support		4	
19	955 355 547 20	holder		5	
- - - E N D - - -					

Model	Year	MG	SG	Illustration	Restrictions	Update	18:45	16.08.2006	PORSCHE	PET	PORSCHE
9pa	06	6	05	605-00		203					

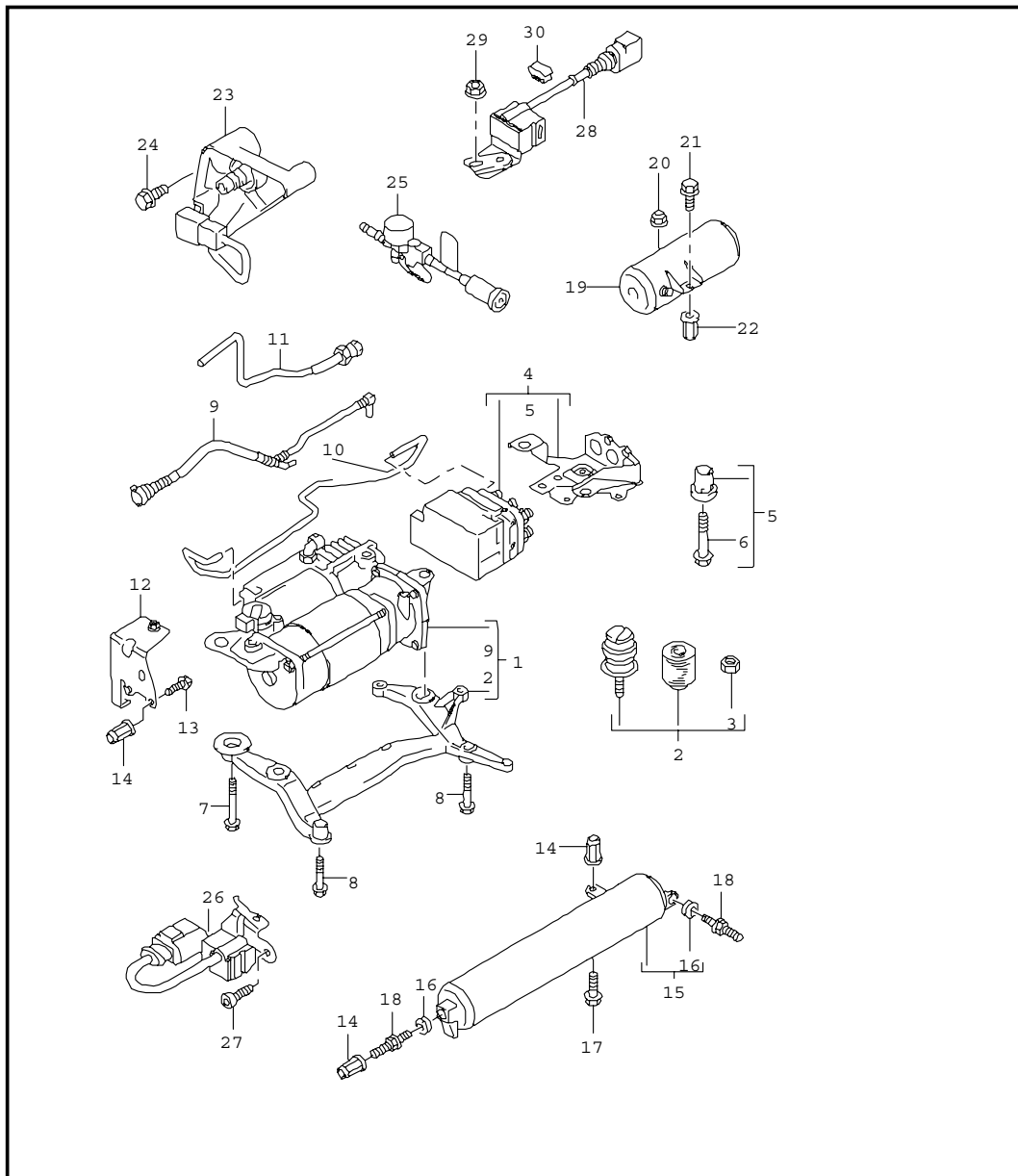


Pos	Part Number	Name	Remarks	Qty	Model
		hydraulic unit anti-lock brake system control			
1	955 355 955 00	hydraulic unit F >>9P3LA 42316 F >>9P3LA 81440 information available		1	
(1) A	955 355 955 01	hydraulic unit F 9P3LA 42317>> F 9P3LA 81441>> F >>9P4LA 41343 F >>9P4LA 80584 information available		1	
(1) A	955 355 955 02	hydraulic unit F 9P4LA 41344>> F 9P4LA 80585>> F >>9P4LA 00602 F >>9P4LA 47211 F >>9P4LA 83022 information available		1	
(1) A	955 355 955 03	hydraulic unit see technical information group 4 NR.3/04 F 9P4LA 00603>> F 9P4LA 47212>> F 9P4LA 83023>> F >>9P4LA 06272 F >>9P4LA 50422 F >>9P4LA 85140		1	
(1)	955 355 955 04	hydraulic unit F 9P4LA 06273>> F 9P4LA 50423>> F 9P4LA 85141>>	-04	1	
(1) A	955 355 955 05	hydraulic unit	05-	1	IGOR
(1)	955 355 955 06	hydraulic unit	05-	1	
2	U 955 618 115 00	control unit with fastening screw only for hydraulic unit 955.355.955.00		1	
3	955 355 133 00	support		1	
4	U 955 355 635 00	rubber buffer		3	

Model	Year	MG	SG	Illustration	Restrictions	Update	18:45	16.08.2006	PORSCHE	PET	PORSCHE
9pa	06	6	05	605-00		203					

Pos	Part Number	Name	Remarks	Qty	Model	Pos	Part Number	Name	Remarks	Qty	Model
(4)	955 355 635 01	rubber buffer		3							
5	N 903 053 02	hexagon-head bolt M 6 X 10		3							
6	955 355 535 10	support		3							
7	A 955 606 145 01	sensor		1							
(7)	955 606 145 02	sensor		1							
8	900 377 010 09	hexagon nut M 6		2							
		- - - E N D - - -									

Model	Year	MG	SG	Illustration	Restrictions	Update	18:45	16.08.2006	PORSCHE	PET	PORSCHE
9pa	06	6	06	606-00		203					

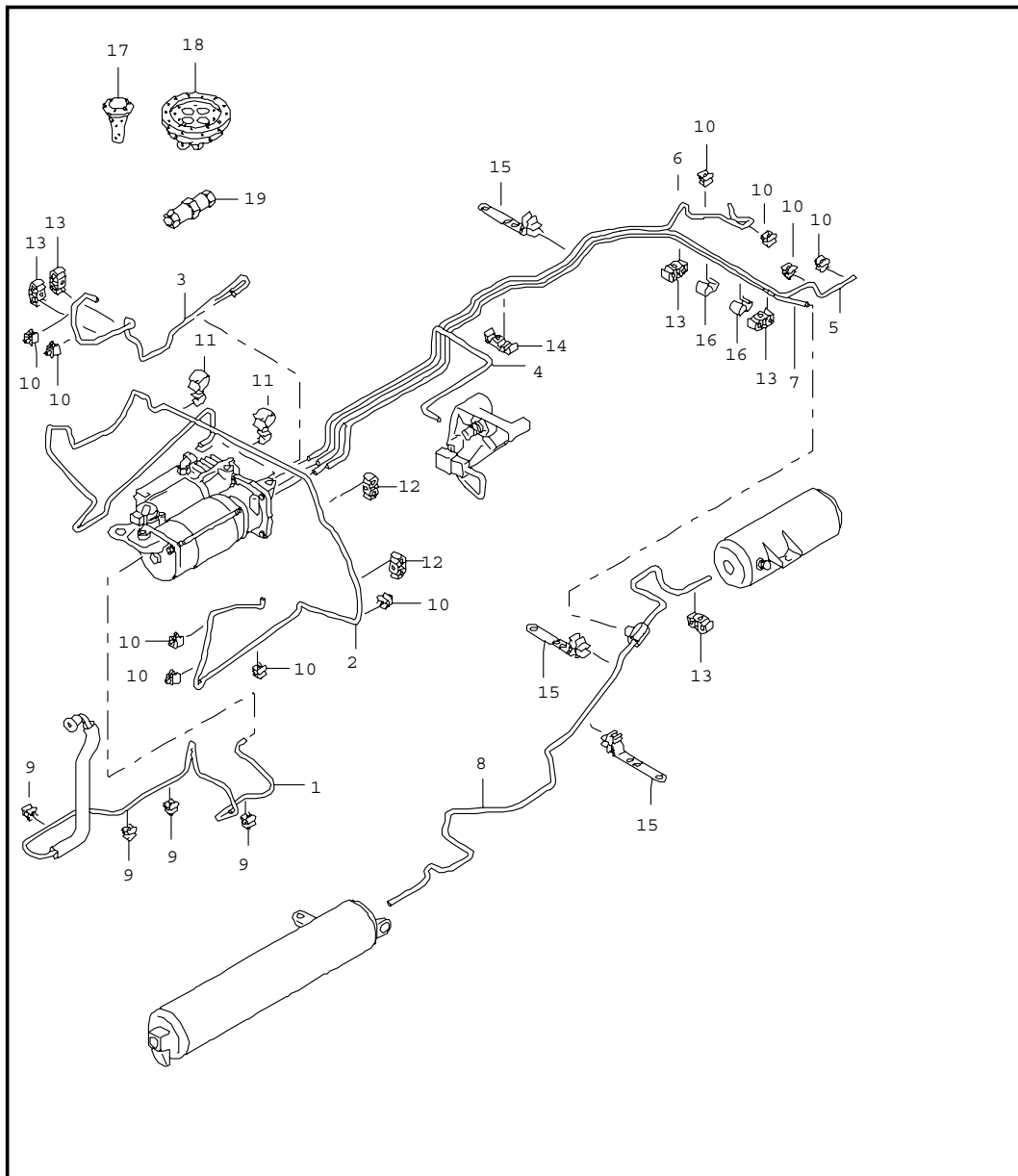


Pos	Part Number	Name	Remarks	Qty	Model
1	A 955 358 901 00	level adjustment compressor pressure accumulator acceleration sensor compressor with bracket	-04	1	I1BK
(1)	955 358 901 01	compressor with bracket	05-	1	
2	955 358 902 00	set of fastening parts for compressor	-04	1	
(2)	955 358 902 01	set of fastening parts for compressor	05-	1	
3	N 023 002 8	hexagon nut AM 6		2	
4	955 358 903 00	control mechanism with support		1	
-	955 358 541 00	push-on connector control mechanism line		6	
5	955 358 904 00	set of fastening parts for control mechanism		1	
6	N 103 292 01	hexagon-head bolt M 6 X 40		3	
7	N 103 183 01	hexagon-head bolt BM 8 X 70 X 41		1	
8	N 105 728 01	hexagon-head bolt AM 8 X 50		2	
9	U 955 358 064 00	intake pipe compressor		1	
-	U 955 358 551 00	support mount intake pipe		2	
10	955 358 050 00	pressure line compressor control mechanism		1	

Model	Year	MG	SG	Illustration	Restrictions	Update	18:45	16.08.2006	PORSCHE	PET	PORSCHE
9pa	06	6	06	606-00		203					

Pos	Part Number	Name	Remarks	Qty	Model	Pos	Part Number	Name	Remarks	Qty	Model
11	955 358 055 00	pressure line compressor air tube air connection		1		(25)	955 358 710 02	hose with bag	06-	1	
12	955 358 210 00	support		1		-	955 551 220 00	velcro strip mount hose		1	
13	N 909 210 01	hexagon-head bolt M 8 X 22		3		26 A	955 606 077 00	acceleration sensor body front	/L	1	
14	N 904 085 02	blind rivet nut AM 8		5		(26)	955 606 077 01	acceleration sensor body front	/L	1	
15	955 358 043 00	pressure accumulator front		1		(26) A	955 606 078 00	acceleration sensor body front	/R	1	
-	955 358 540 00	push-on connector pressure accumulator line		1		(26)	955 606 078 01	acceleration sensor body front	/R	1	
16	955 358 320 00	rubber mounting		2		27	N 014 701 9	pan-head screw M 6 X 12		2	
17	N 104 032 01	hexagon-head bolt M 8 X 16		1		28	955 606 079 00	acceleration sensor body rear centre		1	
18	955 358 240 00	screw M 8		2		29	N 015 082 6	hexagon nut M 6		1	
19	955 358 044 00	pressure accumulator rear		1		30	955 606 302 00	clip for cable acceleration sensor		1	
-	955 358 540 00	push-on connector pressure accumulator line		1				- - - E N D - - -			
20	N 023 002 8	hexagon nut AM 6		1							
21	N 904 407 02	hexagon-head bolt M 6 X 15		1							
22	N 902 521 04	blind rivet nut AM 6		1							
23	955 358 275 00	air connection		1							
24	N 904 407 02	hexagon-head bolt M 6 X 15		1							
25 A	955 358 710 00	hose with bag		1							
(25)	955 358 710 01	hose with bag	-05	1							

Model	Year	MG	SG	Illustration	Restrictions	Update	18:46	16.08.2006	PORSCHE	PET	PORSCHE
9pa	06	6	06	606-05		203					

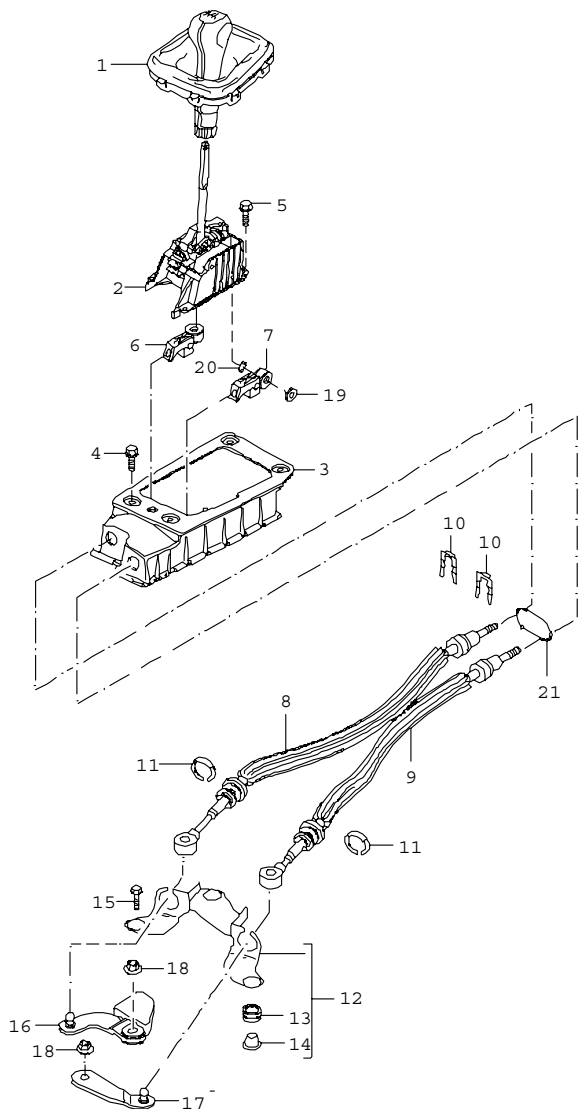


Pos	Part Number	Name	Remarks	Qty	Model
		level adjustment lines			I1BK
1	955 358 045 00	intake pipe air cleaner compressor	04-	1	ID9J
(1)	955 358 045 20	intake pipe air cleaner compressor		1	ID9K/ID9L
2	955 358 051 00	air tube violet front left F >>9P6LA 03817 F >>9P6LA 43855 F >>9P6LA 81768	/LLL	1	
(2)	955 358 051 01	air tube violet front left F 9P6LA 03818>> F 9P6LA 43856>> F 9P6LA 81769>>	/LLL	1	
(2)	955 358 052 00	air tube violet front left F >>9P6LA 03847 F >>9P6LA 43856 F >>9P6LA 81617	/RLL	1	
(2)	955 358 052 01	air tube violet front left F 9P6LA 03848>> F 9P6LA 43857>> F 9P6LA 81618>>	/RLL	1	
3	955 358 054 00	air tube green front right	/R	1	
4	955 358 056 00	air tube brown air connection		1	
5	955 358 061 00	air tube red rear left	/L	1	

Model	Year	MG	SG	Illustration	Restrictions	Update	18:46	16.08.2006	PORSCHE	PET	PORSCHE
9pa	06	6	06	606-05		203					

Pos	Part Number	Name	Remarks	Qty	Model	Pos	Part Number	Name	Remarks	Qty	Model
6	955 358 062 00	air tube yellow rear right	/R	1		17	955 358 548 00	grommet		X	
						18	955 358 549 00	grommet		X	
7	955 358 066 00	air tube blue compressor		1		19	955 358 910 00	push-on connector repair kit air tube		X	
8	955 358 067 00	air tube blue pressure accumulator		1				- - - E N D - - -			
-	955 358 541 00	push-on connector air tube pressure accumulator		1							
9	N 909 435 01	hose holder 12 MM		4							
10	955 511 645 00	clip		10							
11	N 105 901 01	hose holder A01-6 X C28-6 F >>9P6LA 03817 F >>9P6LA 43855 F >>9P6LA 81768	/LL	2							
(12)	955 355 543 00	support	/LL	1							
12	955 355 543 00	support	/RL	2							
13	955 355 543 00	support F >>9P6LA 03817 F >>9P6LA 43855 F >>9P6LA 81768		5							
(13)	955 355 543 00	support F 9P6LA 03818>> F 9P6LA 43856>> F 9P6LA 81769>>		4							
(13)	955 610 232 00	support mount air tube green cable self-levelling sensor F 9P6LA 03818>> F 9P6LA 43856>> F 9P6LA 81769>>		1							
14	955 355 543 10	support		1							
15	955 358 546 00	support		3							
16	955 358 547 00	support		2							

Model	Year	MG	SG	Illustration	Restrictions	Update	18:46	16.08.2006	PORSCHE	PET	PORSCHE
9pa	06	7	01	701-00		203					

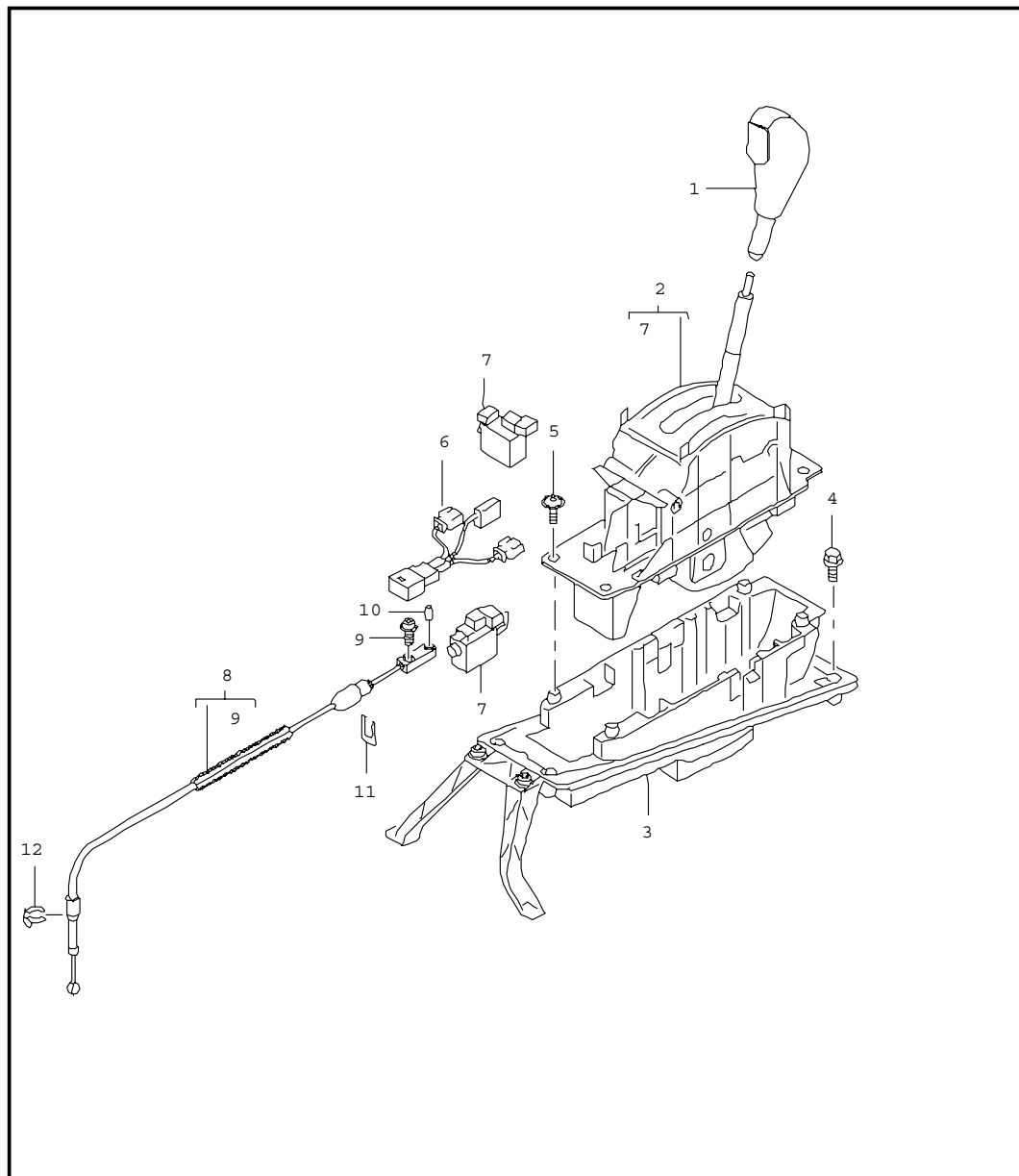


Pos	Part Number	Name	Remarks	Qty	Model
		transmission control manual transmission	04-		IG0L
1	955 424 075 00	gearshift knob		1	
	PCN	black			
		silver mat chrome			
	PCP	stone grey			
		silver mat chrome			
	PCQ	havanna			
		silver mat chrome			
	PCR	palmgreen			
		silver mat chrome			
	RLU	sand beige			
		silver mat chrome			
2	955 424 010 00	gearshift bracket		1	
3	955 424 031 00	mounting piece gearshift bracket		1	
4	N 019 530 4	hexagon-head bolt M 8 X 25		4	
5	955 424 335 00	locking screw M 6 X 30		4	
6	955 424 145 00	fastening part for cable adjustable		1	
7	955 424 147 00	fastening part for cable adjustable		1	
8	955 424 041 01	cable		1	ID9K
(8)	955 424 041 11	cable		1	ID9J
9	955 424 042 01	cable		1	ID9K
(9)	955 424 042 11	cable		1	ID9J
10	955 424 241 00	securing clip		2	
11	955 424 411 00	securing clip		2	
12	955 424 160 01	support		1	

Model	Year	MG	SG	Illustration	Restrictions	Update	18:46	16.08.2006	PORSCHE	PET	PORSCHE
9pa	06	7	01	701-00		203					

Pos	Part Number	Name	Remarks	Qty	Model	Pos	Part Number	Name	Remarks	Qty	Model
13	955 424 710 00	bush for support		3							
14	955 424 711 00	rubber mounting for support		3							
15	N 101 069 03	screw M 8 X 32		3							
16	955 424 150 01	gearshift lever		1							
17	955 424 155 01	selector lever		1							
18	N 907 611 01	lock nut M 8		2							
19	WHT 002 082	spacer 12,5 X 28		1							
20	WHT 001 825	o-ring 19 X 1,5		1							
21	WHT 001 826	o-ring 25 X 3		1							
- - - E N D - - -											

Model	Year	MG	SG	Illustration	Restrictions	Update	18:46	16.08.2006	PORSCHE	PET	PORSCHE
9pa	06	7	01	701-01		203					

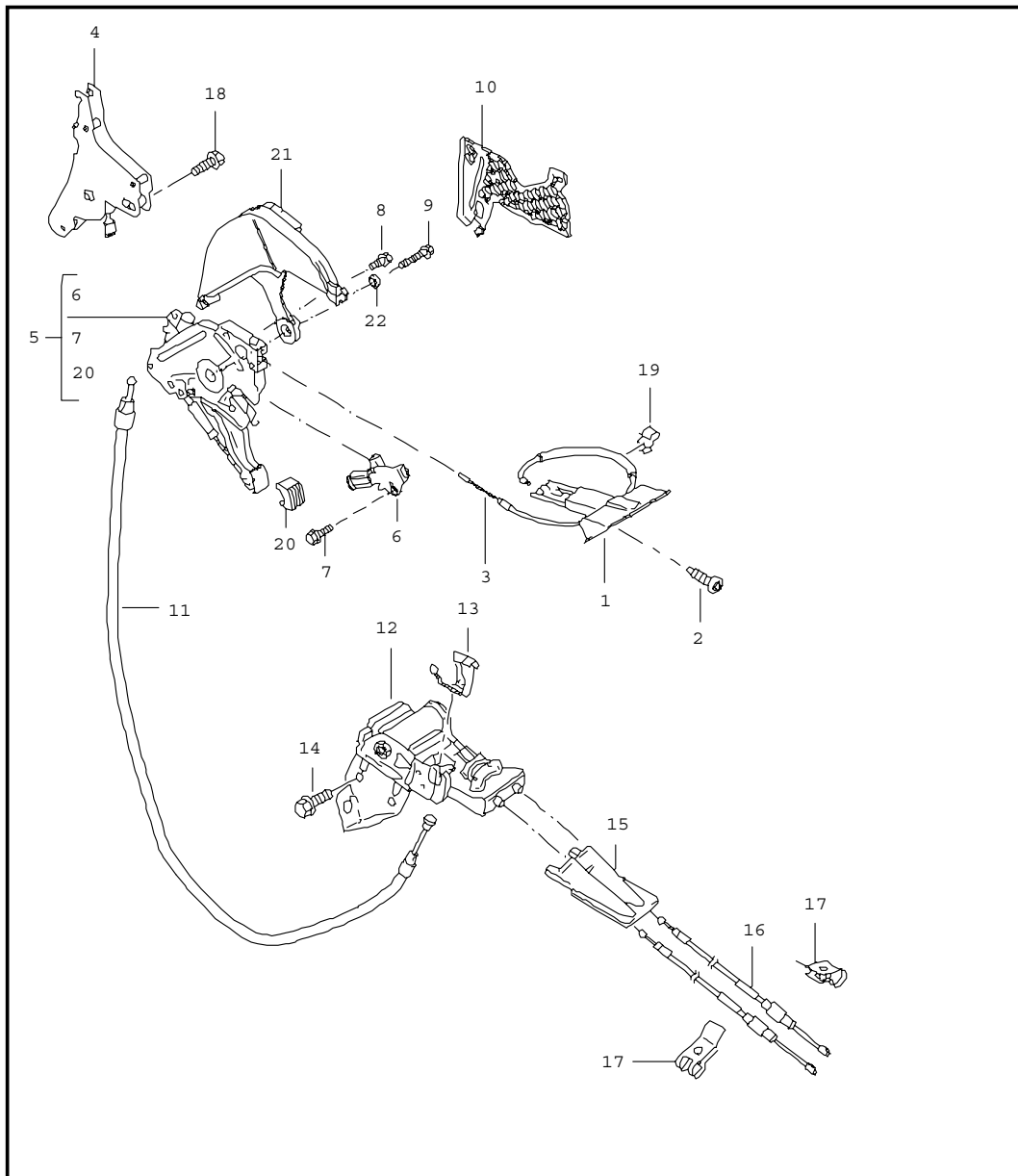


Pos	Part Number	Name	Remarks	Qty	Model
		selector lever tiptronic			IGOR
1	955 426 069 00	gearshift knob leather		1	I6Q2
	PCS	black satin aluminium			
	PCT	stone grey satin aluminium			
	PCU	havanna satin aluminium			
	PCV	palmgreen satin aluminium			
	RLT	sand beige satin aluminium	04-		
(1)	955 426 069 10	gearshift knob rootwood dark	05-	1	I6Q8
(1)	955 426 069 20	gearshift knob olive grain light mat	05-	1	I7F6
(1)	955 426 069 30	gearshift knob olive grain light high gloss	05-	1	I7F7
2	955 426 011 00	selector lever with housing	-04	1	
-	955 612 460 00	plug socket with cap for repair wiring harness	-04	1	
(2)	955 426 011 01	selector lever with housing	05-	1	
3	955 426 031 00	mounting piece		1	
4	N 019 530 4	hexagon-head bolt M 8 X 25		4	

Model	Year	MG	SG	Illustration	Restrictions	Update	18:46	16.08.2006	PORSCHE	PET	PORSCHE
9pa	06	7	01	701-01		203					

Pos	Part Number	Name	Remarks	Qty	Model	Pos	Part Number	Name	Remarks	Qty	Model
5	999 919 204 09	oval-head screw 7 X 22		4							
6	955 613 043 00	microswitch		1							
7	A 955 624 170 00	electromagnet		2							
(7)	955 624 170 01	electromagnet		2							
8	955 426 033 00	cable	04-	1	ID9J						
(8)	955 426 033 10	cable		1	IT90/IT91						
9	955 426 370 00	screw M 6 X 12		1							
10	955 426 149 00	bolt		1							
11	955 426 335 00	securing clip		1							
12	N 012 322 3	securing clip		1							
		- - - E N D - - -									

Model	Year	MG	SG	Illustration	Restrictions	Update	18:46	16.08.2006	PORSCHE	PET	PORSCHE
9pa	06	7	01	701-05		203					

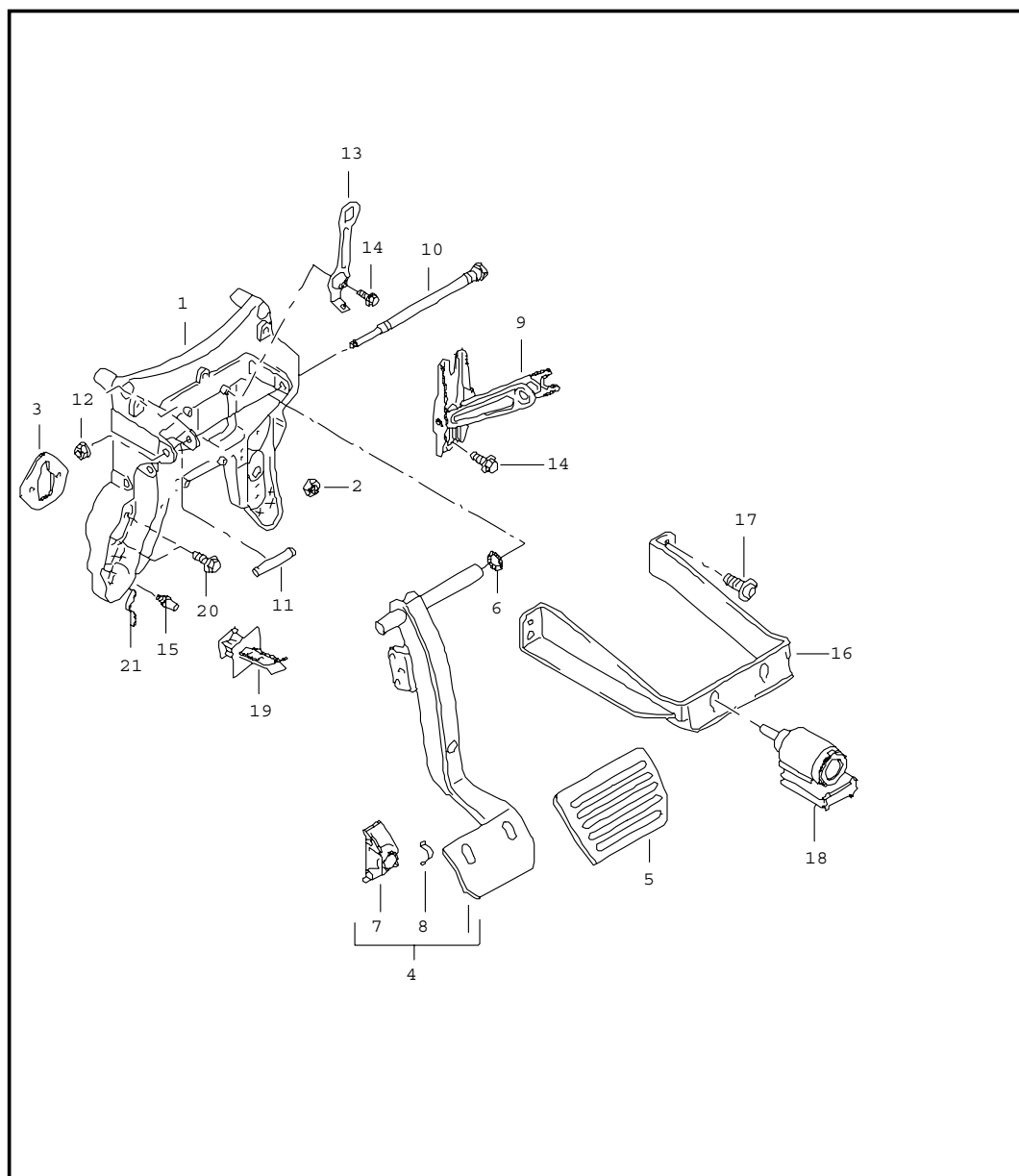


Pos	Part Number	Name	Remarks	Qty	Model
1	U 955 424 153 00	foot-operat. parking brake actuator		1	
		release			
		foot-operat. parking brake			
		A03	black		
		7BA	steel grey		
		5Y2	palmgreen		
		5Z1	sand beige		
(1)	955 424 153 01	release		1	
		foot-operat. parking brake			
		A03	black		
		7BA	steel grey		
		5Y2	palmgreen		
		5Z1	sand beige		
2	N 906 986 01	tapping screw		1	
		ST 4,2 X 16			
-	N 906 988 01	speed nut		1	
		ST 4,2 X 16 X 12			
3	A 955 424 140 00	cable release	/LL	1	
(3)	955 424 140 01	cable release	/LL -04	1	
(3)	955 424 140 02	cable release	/LL 05-	1	
(3)	955 424 140 11	cable release	/RL	1	
4	955 423 462 00	support	/RL	1	
		foot-operat. parking brake			
-	955 355 580 00	protective edging	/RL	1	
		for			
		support			
		foot-operat. parking brake			
5	A 955 423 052 03	foot-operat. parking brake		1	IGOR
(5)	955 423 052 04	foot-operat. parking brake		1	IGOR
(5) A	955 423 052 10	foot-operat. parking brake		1	IGOL

Model	Year	MG	SG	Illustration	Restrictions	Update	18:46	16.08.2006	PORSCHE	PET	PORSCHE
9pa	06	7	01	701-05		203					

Pos	Part Number	Name	Remarks	Qty	Model	Pos	Part Number	Name	Remarks	Qty	Model
(5)	955 423 052 11	foot-operat. parking brake		1	IG0L	16	955 424 141 10	cable foot-operat. parking brake rear		2	
6	955 613 112 00	contact switch		1	IG0R	17	955 424 521 00	fixing clip cable rear		2	
(6) A	955 613 112 10	contact switch		1	IG0L	18	N 104 544 02	hexagon-head bolt AM 8 X 55	/RL	1	
(6)	955 613 112 11	contact switch		1	IG0L	19	955 424 520 00	fixing clip cable release	-04	1	
7	N 102 156 01	screw M 5 X 8		1	IG0R	20	955 423 214 00	cap		1	
(7)	N 010 264 9	hexagon-head bolt M 5 X 20		1	IG0L	21	955 423 409 00	cover upper foot-operat. parking brake	/LL	1	
8	N 104 032 01	hexagon-head bolt M 8 X 16		1		(21)	955 423 410 00	cover upper foot-operat. parking brake	/RL	1	
9	N 103 156 01	hexagon-head bolt AM 8 X 40		1		22	955 423 605 00	spacer	/LL	1	
10 A	955 423 524 00	cover lateral foot-operat. parking brake	/LL	1		--	000 043 204 21	grease spraying can 25 ML for cable foot-operat. parking brake rear		X	
(10)	955 423 524 01	cover lateral foot-operat. parking brake	/LL	1							
11	955 423 141 00	cable foot-operat. parking brake front	/LL	1							
(11)	955 423 141 10	cable foot-operat. parking brake front	/RL	1							
12	955 424 161 00	bracket complete foot-operat. parking brake	/LL	1							
(12)	955 424 162 00	bracket complete foot-operat. parking brake	/RL	1							
13	955 424 165 00	securing clip		1							
14 U	N 906 663 01	hexagon-head bolt M 8 X 20		4							
(14)	N 104 032 03	hexagon-head bolt M 8 X 16		4							
15	955 424 721 10	guide cable		1							

Model	Year	MG	SG	Illustration	Restrictions	Update	18:46	16.08.2006	PORSCHE	PET	PORSCHE
9pa	06	7	02	702-00		203					

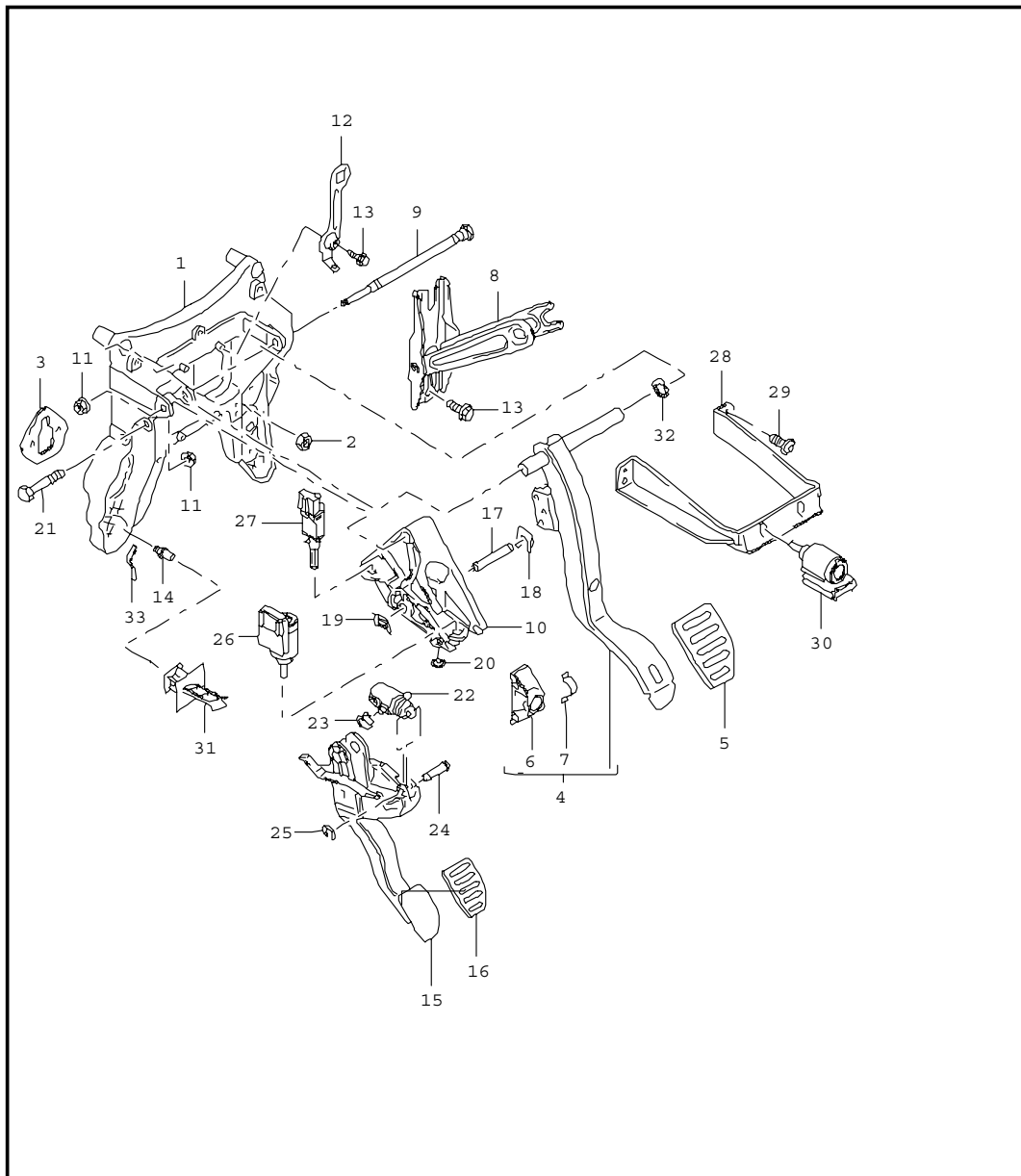


Pos	Part Number	Name	Remarks	Qty	Model
		pedals tiptronic			IGOR
1	955 423 065 00	bearing bracket	/LL	1	
(1)	955 423 066 10	bearing bracket	/RL	1	
2	...	see illustrations 6/04/00 Pos.12		4	
3	A 955 423 368 00	gasket		1	
(3)	955 423 368 01	gasket		1	
4	955 423 093 00	brake pedal	/LL -04	1	
(4)	955 423 093 01	brake pedal	/LL 05-	1	
(4)	955 423 094 10	brake pedal	/RL -04	1	
(4)	955 423 094 11	brake pedal	/RL 05-	1	
5	955 423 212 00	cap	04-	1	ID9J
(5)	955 423 212 10	cap		1	ID9K/ID9L
6	955 423 371 00	cup spring	05-	1	
7	U 955 423 330 00	mounting		1	
8	955 423 341 00	bearing shell		1	
9	955 423 165 10	bracket upper	/LL	1	
(9)	955 423 166 20	bracket upper	/RL	1	
10	955 423 281 00	pin		1	
11	955 423 381 00	spacer tube		1	
12	N 023 003 4	hexagon nut M 8		1	
13	955 423 175 00	support	/LL	1	
(13)	955 423 176 10	support	/RL	1	
14	955 423 158 00	fastening screw		3	
15	955 423 159 00	stud	/LL	1	

Model	Year	MG	SG	Illustration	Restrictions	Update	18:46	16.08.2006	PORSCHE	PET	PORSCHE
9pa	06	7	02	702-00		203					

Pos	Part Number	Name	Remarks	Qty	Model	Pos	Part Number	Name	Remarks	Qty	Model
16	955 613 545 00	clip	-04	1							
-	000 043 206 11	plastic foam strip 8 X 8 X 100 see technical information group 9 NR.8/04	-04	1							
(16)	955 613 545 01	clip	/RL 05	1							
(16)	955 613 545 02	clip	06-	1							
17	955 423 157 10	screw	-04	2							
17	955 423 157 10	screw	/RL 05	2							
17	955 423 157 10	screw	06-	2							
18	955 613 110 31	switch	-04	1							
19	955 573 318 00	angle	/LL	1							
20	N 102 856 01	hexagon-head bolt M 6 X 25		2							
21	955 423 594 00	protective edging bearing bracket	/RL	1							
		- - - E N D - - -									

Model	Year	MG	SG	Illustration	Restrictions	Update	18:47	16.08.2006	PORSCHE	PET	PORSCHE
9pa	06	7	02	702-05		203					

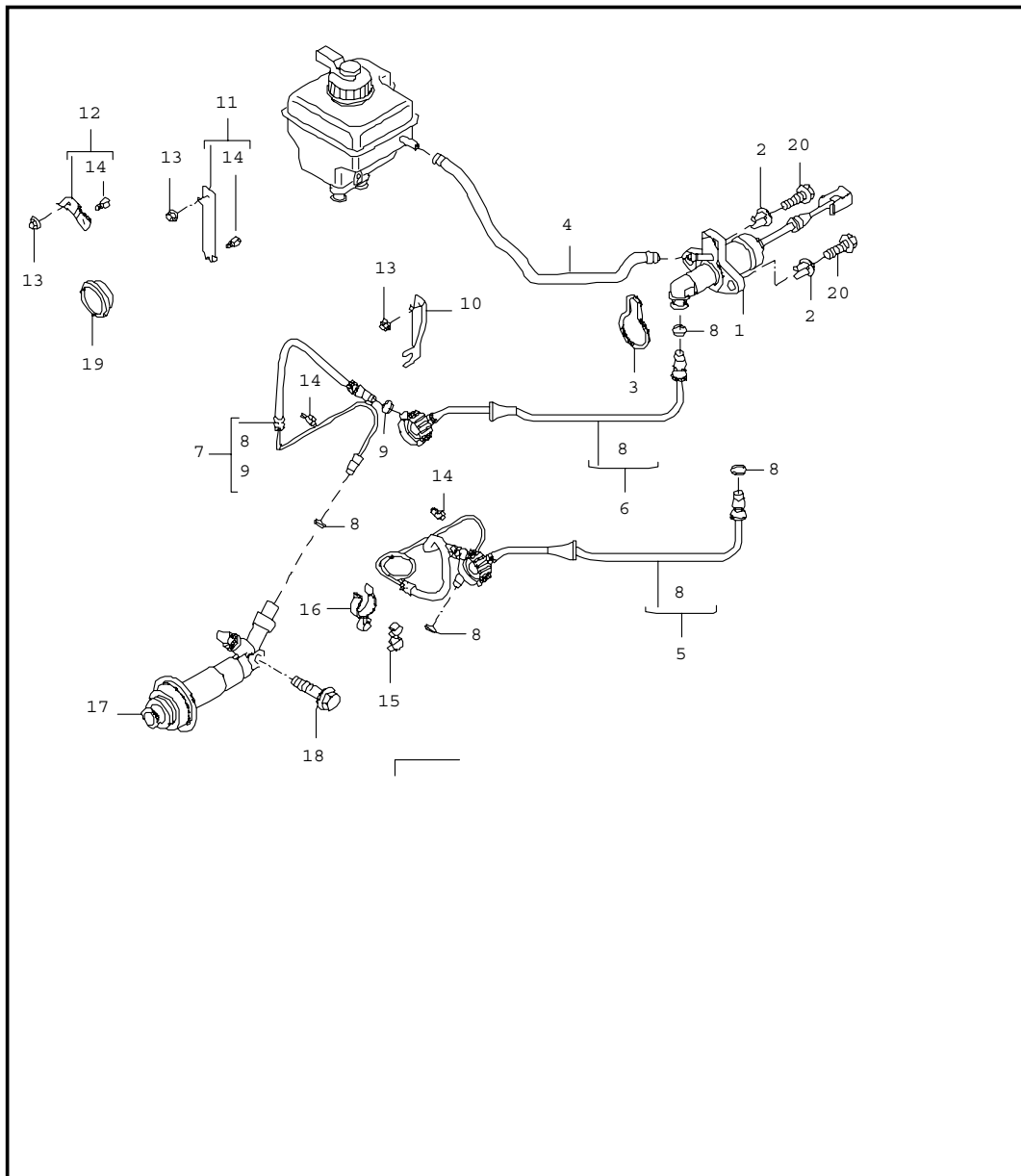


Pos	Part Number	Name	Remarks	Qty	Model
		pedals manual transmission	04-		IG0L
1	955 423 063 00	bearing bracket	/LL	1	
(1)	955 423 064 10	bearing bracket	/RL	1	
2	...	see illustrations 6/04/00 Pos.12		4	
3	955 423 368 01	gasket		1	
4	955 423 091 00	brake pedal	/LL 04	1	
(4)	955 423 091 01	brake pedal	/LL 05-	1	
(4)	955 423 092 10	brake pedal	/RL 04	1	
(4)	955 423 092 11	brake pedal	/RL 05-	1	
5	955 423 211 00	cap		1	ID9J
(5)	955 423 211 10	cap		1	ID9K
6	955 423 330 00	mounting		1	
7	955 423 341 00	bearing shell		1	
8	955 423 165 10	bracket upper	/LL	1	
(8)	955 423 166 20	bracket upper	/RL	1	
9	955 423 281 00	pin		1	
10	955 423 030 00	bearing bracket clutch pedal		1	
11	N 023 003 4	hexagon nut M 8		2	
12	955 423 175 00	support	/LL	1	
(12)	955 423 176 10	support	/RL	1	
13	955 423 158 00	fastening screw		3	
14	955 423 159 00	stud	/LL	1	
15	955 423 139 00	clutch pedal	/LL	1	
(15)	955 423 140 10	clutch pedal	/RL	1	

Model	Year	MG	SG	Illustration	Restrictions	Update	18:47	16.08.2006	PORSCHE	PET	PORSCHE
9pa	06	7	02	702-05		203					

Pos	Part Number	Name	Remarks	Qty	Model	Pos	Part Number	Name	Remarks	Qty	Model
16	955 423 213 00	cap		1	ID9J	30	955 613 110 31	switch	04	1	
(16)	955 423 213 10	cap		1	ID9K	31	955 573 318 00	angle	/LL	1	
17	955 423 313 00	bolt		1		32	955 423 371 00	cup spring	05-	1	
18	N 902 362 01	lock		1		33	955 423 594 00	protective edging bearing bracket	/RL	1	
19	955 423 577 00	lock		1				- - - E N D - - -			
20	955 423 720 00	rubber stop		2							
21	900 074 044 02	hexagon-head bolt M 8 X 70		1							
22	955 423 081 01	clutch power spring		1	ID9J						
(22)	955 423 081 11	clutch power spring		1	ID9K						
23	955 423 581 00	bearing shell		2							
24	996 423 315 06	bolt		1							
25	999 166 022 02	kl-lock		1							
26	955 613 111 01	switch	-05	1							
(26)	955 613 111 02	switch	06-	1							
27	955 613 113 01	switch		1							
28	955 613 545 00	clip	04	1							
-	000 043 206 11	plastic foam strip 8 X 8 X 100 see technical information group 9 NR.8/04	04	1							
(28)	955 613 545 01	clip	/RL 05	1							
(28)	955 613 545 02	clip	06-	1							
29	955 423 157 10	screw	04	2							
29	955 423 157 10	screw	/RL 05	2							
29	955 423 157 10	screw	06-	2							

Model	Year	MG	SG	Illustration	Restrictions	Update	18:47	16.08.2006	PORSCHE	PET	PORSCHE
9pa	06	7	02	702-08		203					

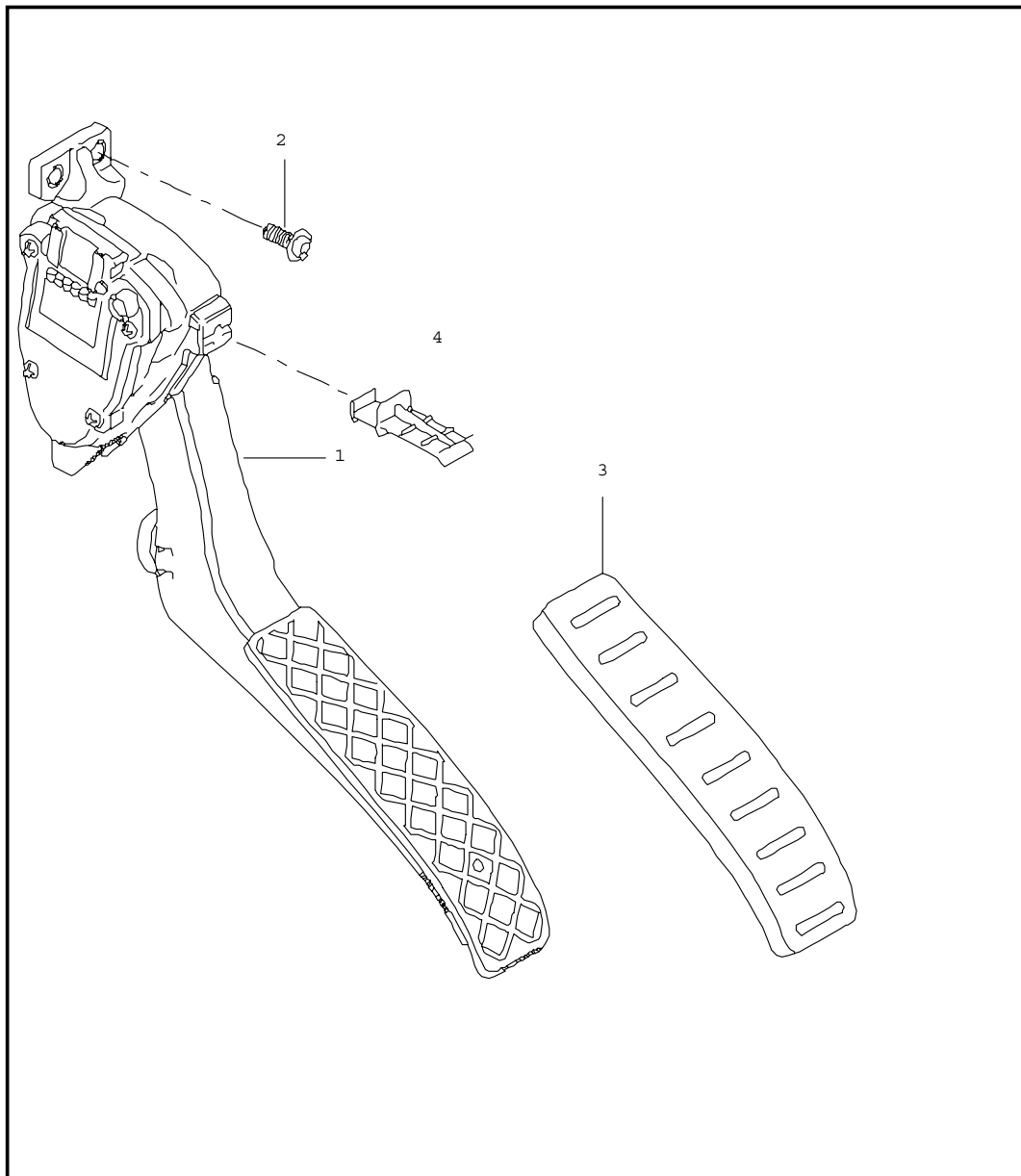


Pos	Part Number	Name	Remarks	Qty	Model
		clutch control clutch master cylinder clutch pipeline	04-		IG0L
1	955 423 171 00	clutch master cylinder		1	
2	955 423 670 00	fixing clip		2	
3	955 423 312 01	gasket		1	
4	955 423 137 00	line	/LL	1	
(4)	955 423 138 00	line	/RL	1	
5 U	955 423 107 00	clutch pipeline	/LL	1	ID9J
(5)	955 423 107 01	clutch pipeline	/LL	1	ID9J
(5) U	955 423 108 00	clutch pipeline	/RL	1	ID9J
(5) A	955 423 108 01	clutch pipeline	/RL	1	ID9J
(5)	955 423 108 02	clutch pipeline	/RL	1	ID9J
6	955 423 107 10	clutch pipeline	/LL	1	ID9K
(6) A	955 423 108 10	clutch pipeline	/RL	1	ID9K
(6)	955 423 108 11	clutch pipeline	/RL	1	ID9K
7	955 423 109 10	clutch pipeline	/LL	1	ID9K
(7)	955 423 110 10	clutch pipeline	/RL	1	ID9K
8	955 423 224 00	sealing ring clutch pipeline		X	
9	955 423 225 00	sealing ring clutch pipeline		X	
10	955 423 351 00	support clutch pipeline	/LL	1	
11	955 423 361 00	support clutch pipeline	/RL	1	
12	955 423 362 00	support clutch pipeline	/RL	1	
13	see illustrations 8/13/20		X	

Model	Year	MG	SG	Illustration	Restrictions	Update						
9pa	06	7	02	702-08		203	18:47	16.08.2006	PORSCHE	PET	PORSCHE	

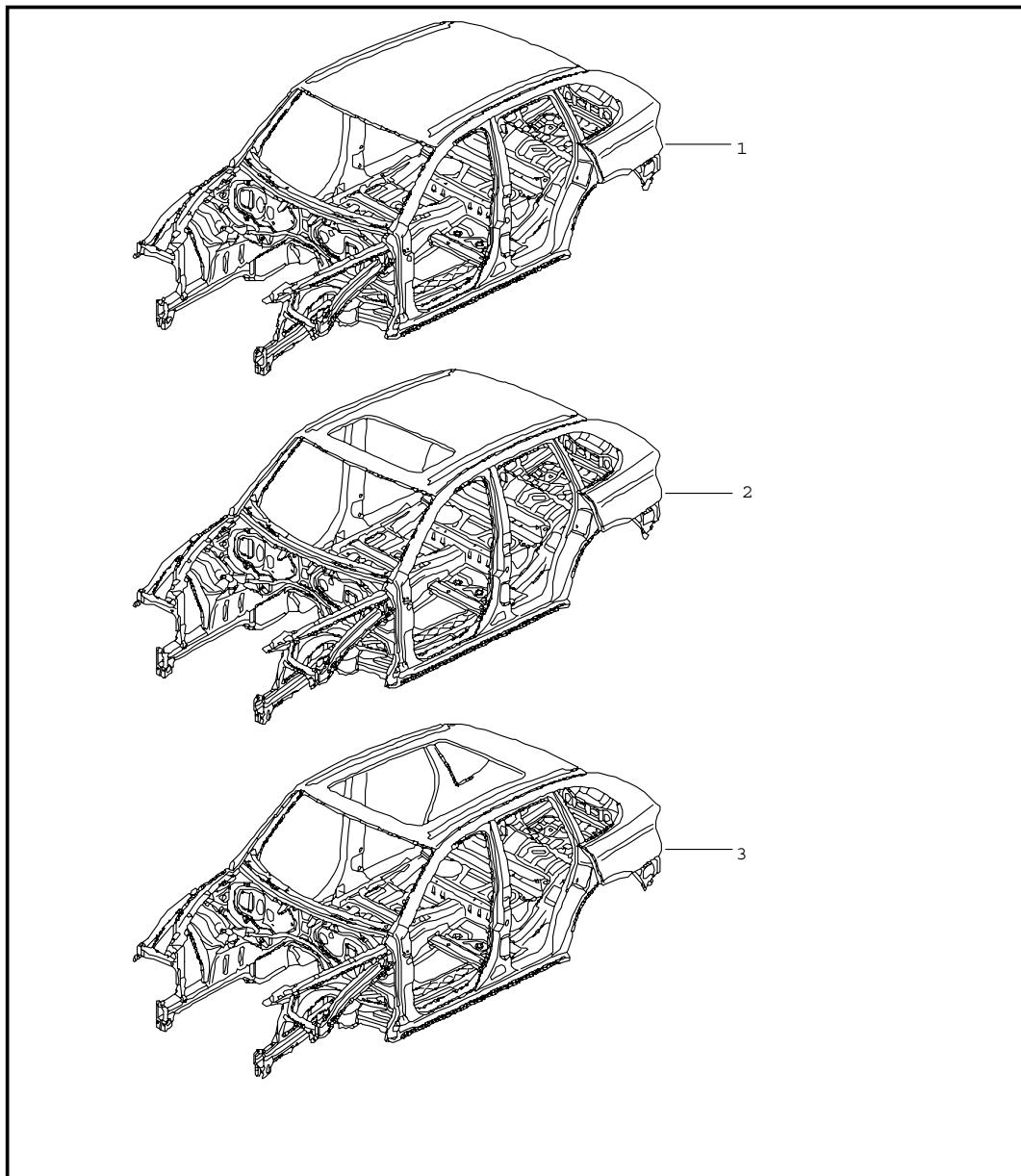
Pos	Part Number	Name	Remarks	Qty	Model	Pos	Part Number	Name	Remarks	Qty	Model
14	N 910 523 01	holder 6		3							
15	N 102 627 01	holder A01-11 X C01-14	/RL	1	ID9J/I9AB/ I9AD						
16	955 423 775 00	holder	/RL /RL	1 1	ID9J/I9AH ID9J/I7VE/ I7VL						
17	955 116 237 01	clutch operating cylinder		1							
18	N 101 560 05	hexagon-head bolt M 8 X 25		1							
19	N 101 245 01	cover		1	IG0L						
(19)	N 101 245 01	cover		2	IG0R						
20	N 102 856 01	hexagon-head bolt M 6 X 25		2							
		- - - E N D - - -									

Model	Year	MG	SG	Illustration	Restrictions	Update	18:47	16.08.2006	PORSCHE	PET	PORSCHE
9pa	06	7	02	702-10		203					



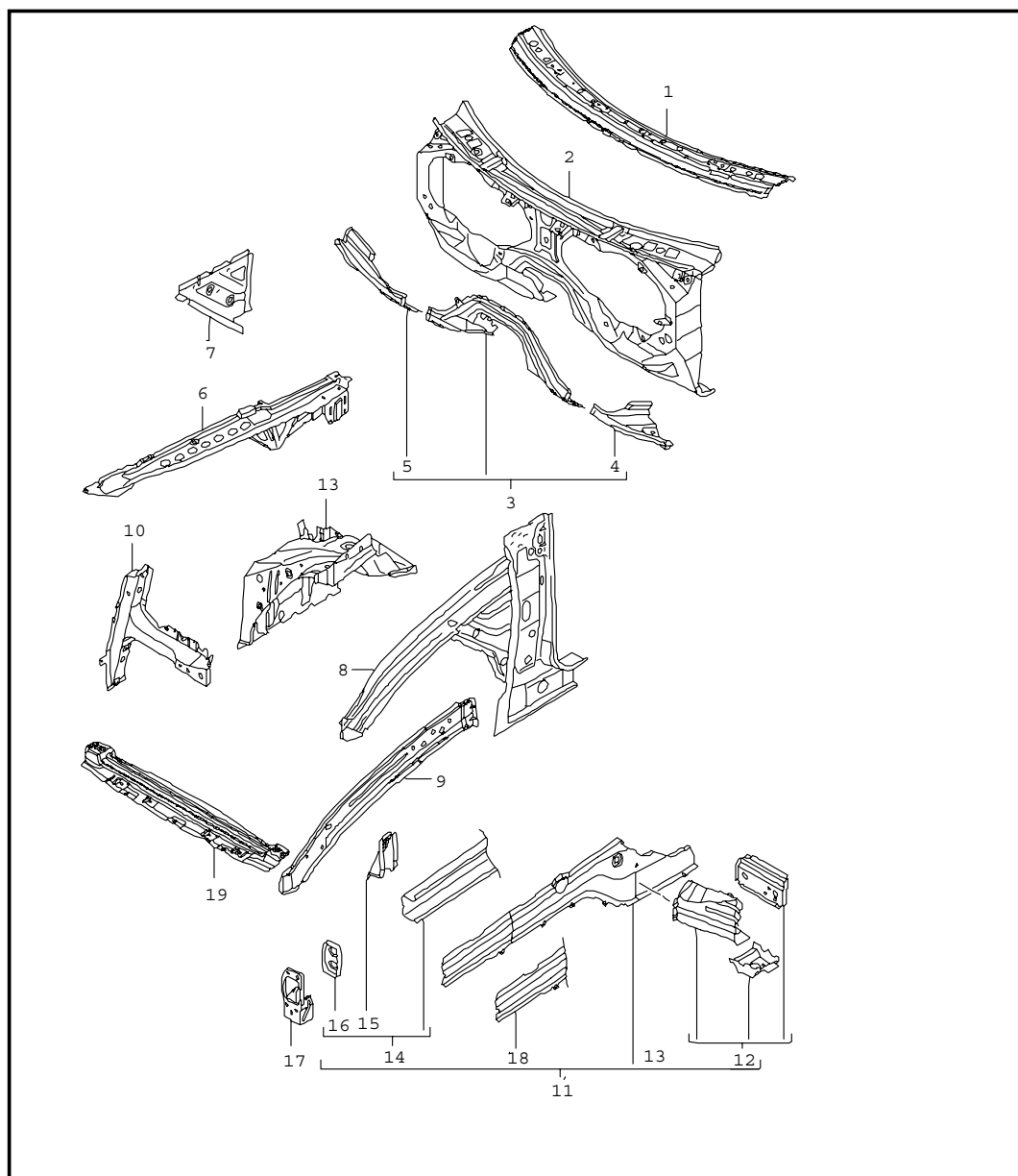
Pos	Part Number	Name	Remarks	Qty	Model
		pedals accelerator control			
1	955 423 021 00	accelerator control	/LL 04-	1	IG0L
(1)	955 423 022 10	accelerator control	/RL 04-	1	IG0L
1	955 423 023 00	accelerator control	/LL	1	IG0R
(1)	955 423 024 10	accelerator control	/RL	1	IG0R
2	955 423 157 10	screw DG 6 X 18		3	
3	955 423 210 00	cap	04-	1	ID9J
(3)	955 423 210 10	cap		1	ID9K/ID9L
4	955 573 317 00	angle		1	
- - - E N D - - -					

Model	Year	MG	SG	Illustration	Restrictions	Update	18:47	16.08.2006	PORSCHE	PET	PORSCHE
9pa	06	8	01	801-00		203					



Pos	Part Number	Name	Remarks	Qty	Model
		body in white prime coated sealed with underbody protection without doors/lids/wings bodyshells can only be delivered of the current model year the data (b-f) that you need for your order please find in the data vehicle data bank please indicate this data in your order			
A	-	data bank of the car			
B	-	vehicle identification no.			
C	-	order type			
D	-	country equipment			
E	-	optional extras			
F	-	additional applications			
1	955 500 900 00 GRV	body in white prime coated		1	
2	955 500 900 01 GRV	body in white prime coated		1	I3FE
3	955 500 900 02 GRV	body in white prime coated		1	I3FU
		- - - E N D - - -			

Model	Year	MG	SG	Illustration	Restrictions	Update	18:48	16.08.2006	PORSCHE	PET	PORSCHE
9pa	06	8	01	801-10		203					

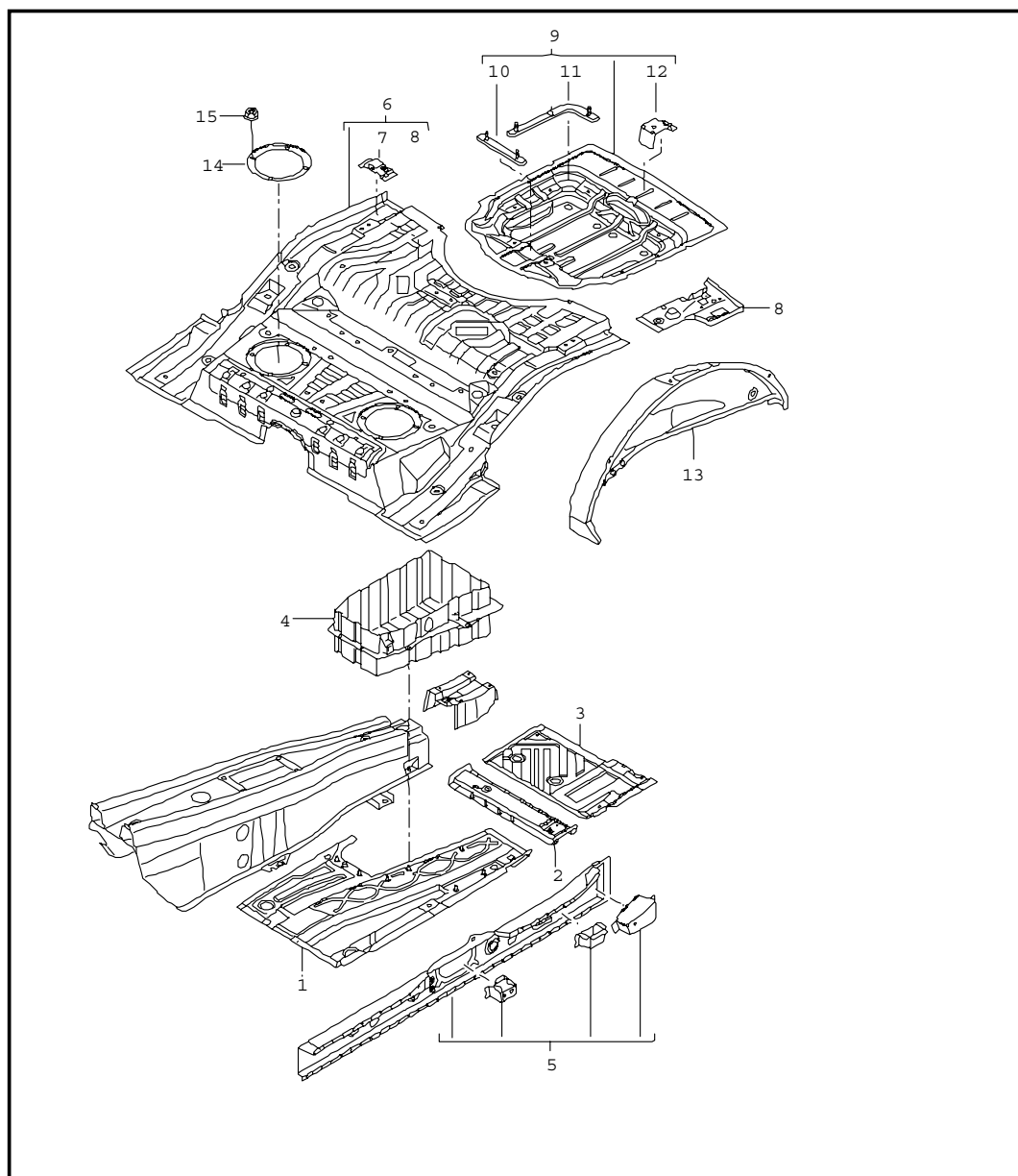


Pos	Part Number	Name	Remarks	Qty	Model
		body front section single parts			
1	955 502 713 01	cowl		1	
	GRV	prime coated			
2	955 502 147 00	firewall		1	
	GRV	prime coated			
-	000 043 206 82	sealing compound see technical manual		X	
3	955 502 469 00	cross member		1	
	GRV	prime coated			
4	955 502 273 00	cross member	/L	1	
	GRV	prime coated			
5	955 502 274 00	cross member	/R	1	
	GRV	prime coated			
6	955 501 091 00	bracket	/L	1	
	GRV	prime coated			
(6)	955 501 092 00	bracket	/R	1	
	GRV	prime coated			
7	955 501 361 00	end plate	/L	1	
	GRV	prime coated			
(7)	955 501 362 00	end plate	/R	1	
	GRV	prime coated			
8	955 501 191 01	a-pillar	/L	1	
	GRV	prime coated			
(8)	955 501 192 01	a-pillar	/R	1	
	GRV	prime coated			
9	955 501 111 00	bracket	/L	1	
	GRV	prime coated			
(9)	955 501 112 00	bracket	/R	1	
	GRV	prime coated			

Model	Year	MG	SG	Illustration	Restrictions	Update	18:48	16.08.2006	PORSCHE	PET	PORSCHE
9pa	06	8	01	801-10		203					

Pos	Part Number	Name	Remarks	Qty	Model	Pos	Part Number	Name	Remarks	Qty	Model
10	A 955 501 457 01	support	/L	1		(15)	955 501 670 00	bracket	/R	1	
	GRV	prime coated					GRV	prime coated			
10	955 501 457 02	support	/L	1		16	955 501 409 00	separator	/L	1	
	GRV	prime coated					GRV	prime coated			
(10)	A 955 501 458 01	support	/R	1		(16)	955 501 410 00	separator	/R	1	
	GRV	prime coated					GRV	prime coated			
(10)	955 501 458 02	support	/R	1		17	955 501 377 00	mounting	/L	1	
	GRV	prime coated					GRV	prime coated			
11	955 501 991 01	side member	/L	1		(17)	955 501 378 00	mounting	/R	1	
	GRV	prime coated					GRV	prime coated			
(11)	A 955 501 992 00	side member	/R	1		18	955 501 907 00	side member	/L	1	
	GRV	prime coated					GRV	prime coated			
(11)	955 501 992 01	side member	/R	1		(18)	955 501 908 00	side member	/R	1	
	GRV	prime coated					GRV	prime coated			
12	955 501 975 00	gusset plate	/L	1		19	955 505 549 00	cross member		1	
	GRV	prime coated					GRV	prime coated			
(12)	955 501 976 00	gusset plate	/R	1		-	N 104 032 03	hexagon-head bolt M 8 X 16		4	
	GRV	prime coated									
13	955 501 941 01	mounting	/L	1		-	000 043 204 85	cavity preservation 400 ML		X	
	GRV	prime coated									
(13)	955 501 942 01	mounting	/R	1							
	GRV	prime coated									
14	955 501 905 00	side member	/L	1							
	GRV	prime coated inner									
(14)	955 501 906 00	side member	/R	1							
	GRV	prime coated inner									
15	955 501 669 00	bracket	/L	1							
	GRV	prime coated									

Model	Year	MG	SG	Illustration	Restrictions	Update	18:48	16.08.2006	PORSCHE	PET	PORSCHE
9pa	06	8	01	801-20		203					

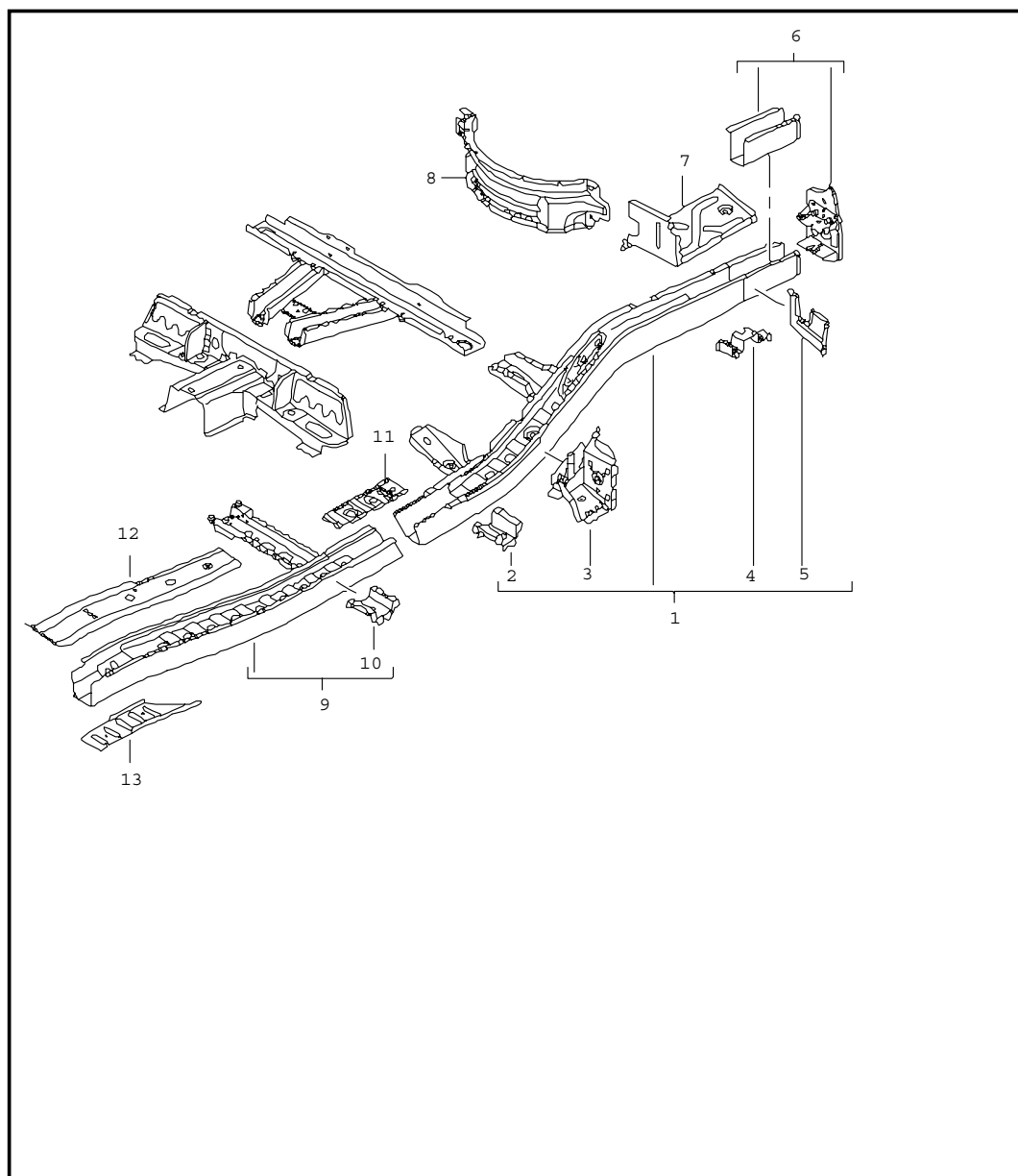


Pos	Part Number	Name	Remarks	Qty	Model
		floor			
1	955 502 015 00	floorpan	/L	1	
	GRV	prime coated			
(1)	955 502 016 00	floorpan	/R	1	
	GRV	prime coated			
2	955 502 301 00	seat support	/L	1	
	GRV	prime coated			
(2)	955 502 302 00	seat support	/R	1	
	GRV	prime coated			
3	955 502 205 00	floorpan	/L	1	
	GRV	prime coated			
(3)	955 502 206 00	floorpan	/R	1	
	GRV	prime coated			
4	-	battery box see group 9/02/05		1	
5	955 502 251 00	door sill	/L	1	
	GRV	prime coated			
(5)	955 502 252 00	door sill	/R	1	
	GRV	prime coated			
-	955 504 187 00	plug 20 MM		X	
6	955 501 011 00	floorpan		1	
	GRV	prime coated			
7	955 502 755 00	support	/L	1	
	GRV	prime coated			
(7)	955 502 756 00	support	/R	1	
	GRV	prime coated			
8	955 501 569 00	floor section	/L	1	
	GRV	prime coated			
(8)	955 501 570 00	floor section	/R	1	

Model	Year	MG	SG	Illustration	Restrictions	Update	18:48	16.08.2006	PORSCHE	PET	PORSCHE
9pa	06	8	01	801-20		203					

Pos	Part Number	Name	Remarks	Qty	Model	Pos	Part Number	Name	Remarks	Qty	Model
		GRV prime coated									
9	955 501 261 00	spare-wheel well		1							
		GRV prime coated									
10	955 502 373 00	support		1							
		GRV prime coated									
11	955 502 367 00	support	/L	1							
		GRV prime coated									
(11)	955 502 368 00	support	/R	1							
		GRV prime coated									
12	955 502 717 00	support		1							
		GRV prime coated									
13	955 502 425 00	wheel housing	/L	1							
		GRV prime coated									
(13)	955 502 426 00	wheel housing	/R	1							
		GRV prime coated									
-	000 043 204 85	cavity preservation 400 ML		X							
14	955 501 959 00	cover sender fuel tank		2							
15	N 904 560 02	nut M 6		8							
		- - - E N D - - -									

Model	Year	MG	SG	Illustration	Restrictions	Update	18:48	16.08.2006	PORSCHE	PET	PORSCHE
9pa	06	8	01	801-25		203					

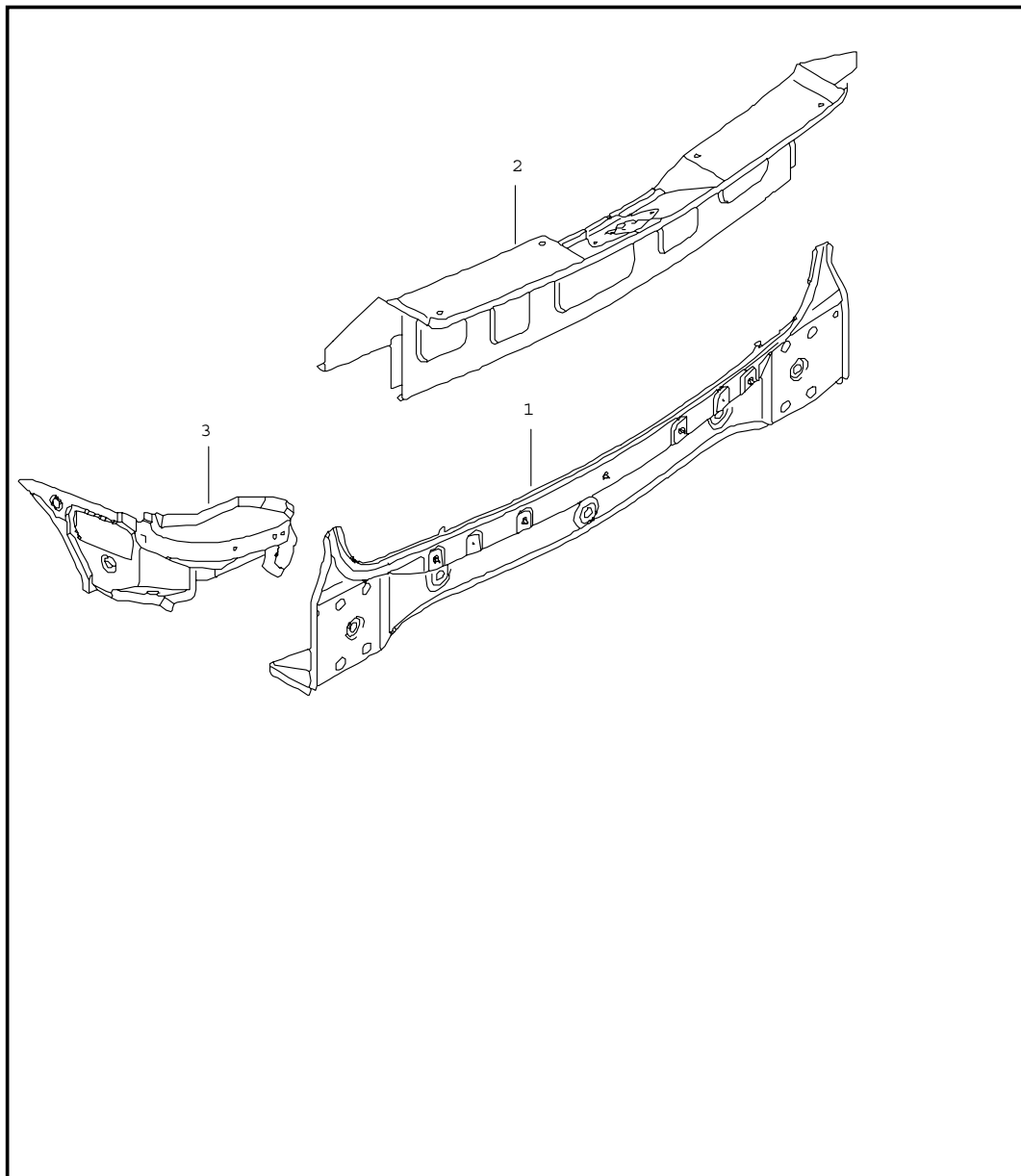


Pos	Part Number	Name	Remarks	Qty	Model
		frame			
1	955 501 401 01	side member	/L	1	
	GRV	prime coated			
(1)	955 501 402 01	side member	/R	1	
	GRV	prime coated			
2	955 501 227 00	mounting	/L	1	
	GRV	prime coated			
(2)	955 501 228 00	mounting	/R	1	
	GRV	prime coated			
3	955 501 717 00	end plate	/L	1	
	GRV	prime coated			
(3)	955 501 718 00	end plate	/R	1	
	GRV	prime coated			
4	955 501 381 00	support	/L	1	
	GRV	prime coated			
(4)	955 501 382 00	support	/R	1	
	GRV	prime coated			
5	955 501 537 00	end plate	/L	1	
	GRV	prime coated			
(5)	955 501 538 00	end plate	/R	1	
	GRV	prime coated			
6	955 501 933 00	side member	/L	1	
	GRV	prime coated			
(6)	955 501 934 00	side member	/R	1	
	GRV	prime coated			
7	955 501 089 00	floor section	/L	1	
	GRV	prime coated			
(7)	955 501 090 00	floor section	/R	1	
	GRV	prime coated			

Model	Year	MG	SG	Illustration	Restrictions	Update	18:48	16.08.2006	PORSCHE	PET	PORSCHE
9pa	06	8	01	801-25		203					

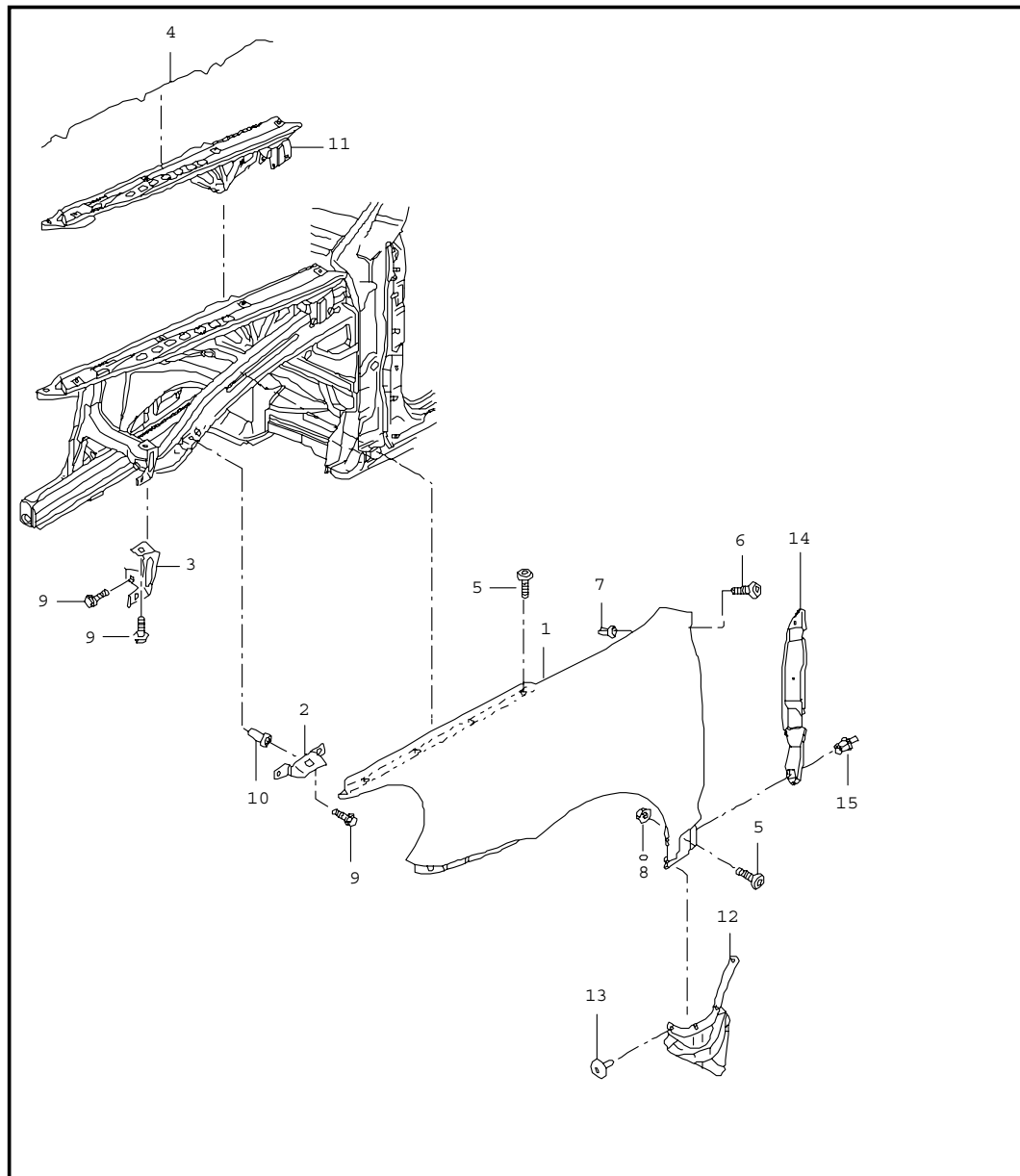
Pos	Part Number	Name	Remarks	Qty	Model	Pos	Part Number	Name	Remarks	Qty	Model
8	955 501 533 00	cross member		1							
	GRV	prime coated									
9	955 501 019 00	side member	/L	1							
	GRV	prime coated									
(9)	955 501 020 00	side member	/R	1							
	GRV	prime coated									
10	955 501 757 00	extension		2							
	GRV	prime coated									
11	955 502 699 00	reinforcement		2							
	GRV	prime coated									
12	955 502 075 00	reinforcement	/L	1							
	GRV	prime coated									
(12)	955 502 076 00	reinforcement	/R	1							
	GRV	prime coated									
13	955 502 871 00	reinforcement	/L	1							
	GRV	prime coated									
(13)	955 502 872 00	reinforcement	/R	1							
	GRV	prime coated									
-	000 043 204 85	cavity preservation 400 ML		X							
		- - - E N D - - -									

Model	Year	MG	SG	Illustration	Restrictions	Update	18:48	16.08.2006	PORSCHE	PET	PORSCHE
9pa	06	8	01	801-30		203					



Pos	Part Number	Name	Remarks	Qty	Model
		rear end			
1	955 501 303 00	terminal piece		1	
	GRV	prime coated			
2	955 501 311 00	lock carrier		1	
	GRV	prime coated			
3	955 502 745 00	support	/L	1	
	GRV	prime coated			
(3)	955 502 746 00	support	/R	1	
	GRV	prime coated			
-	000 043 204 85	cavity preservation 400 ML		X	
-	955 504 803 00	plug @ 15 MM		X	
-	955 504 185 00	plug 15 X 20 MM		X	
		- - - E N D - - -			

Model	Year	MG	SG	Illustration	Restrictions	Update	18:49	16.08.2006	PORSCHE	PET	PORSCHE
9pa	06	8	01	801-40		203					

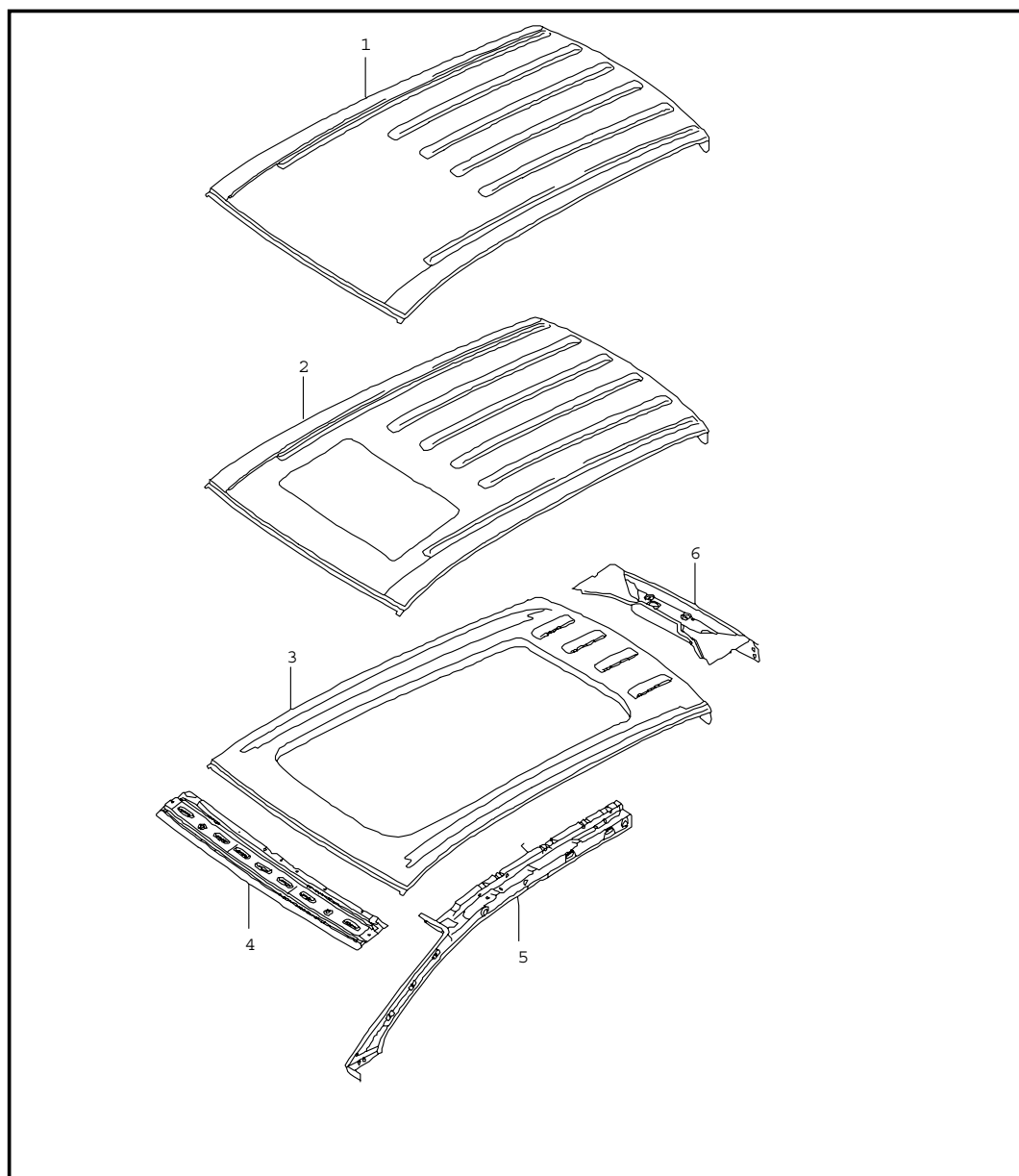


Pos	Part Number	Name	Remarks	Qty	Model
		wing			
1	955 503 031 01	wing	/L	1	
		GRV			
		prime coated			
(1)	955 503 032 01	wing	/R	1	
		GRV			
		prime coated			
2	955 503 161 00	support		2	
		GRV			
		prime coated			
3	955 501 609 00	support	/L	1	
		GRV			
		prime coated			
(3)	955 501 610 00	support	/R	1	
		GRV			
		prime coated			
4	955 503 159 00	seal		1	
		808 MM			
5	N 910 432 01	lens-head screw		16	
		M 6 X 14			
6	N 906 381 01	screw		X	
		M 6 X 12			
7	N 908 051 01	blind rivet nut		X	
		M 6			
8	N 908 877 01	hexagon nut		X	
		M 6			
9	N 901 671 01	screw		X	
		M 6 X 15			
10	N 909 350 01	blind rivet nut		X	
11	-	wing strut			
		see group			
		8/01/10			
12	955 504 819 00	mud flap	/L	1	I6N1
		01C			
		satin black			
(12)	955 504 820 00	mud flap	/R	1	I6N1
		01C			
		satin black			
13	N 906 487 02	tapping screw		8	
		ST 4,8 X 16			
14	955 504 777 00	cover	/L	1	

Model	Year	MG	SG	Illustration	Restrictions	Update					
9pa	06	8	01	801-40		203	18:49	16.08.2006	PORSCHE	PET	PORSCHE

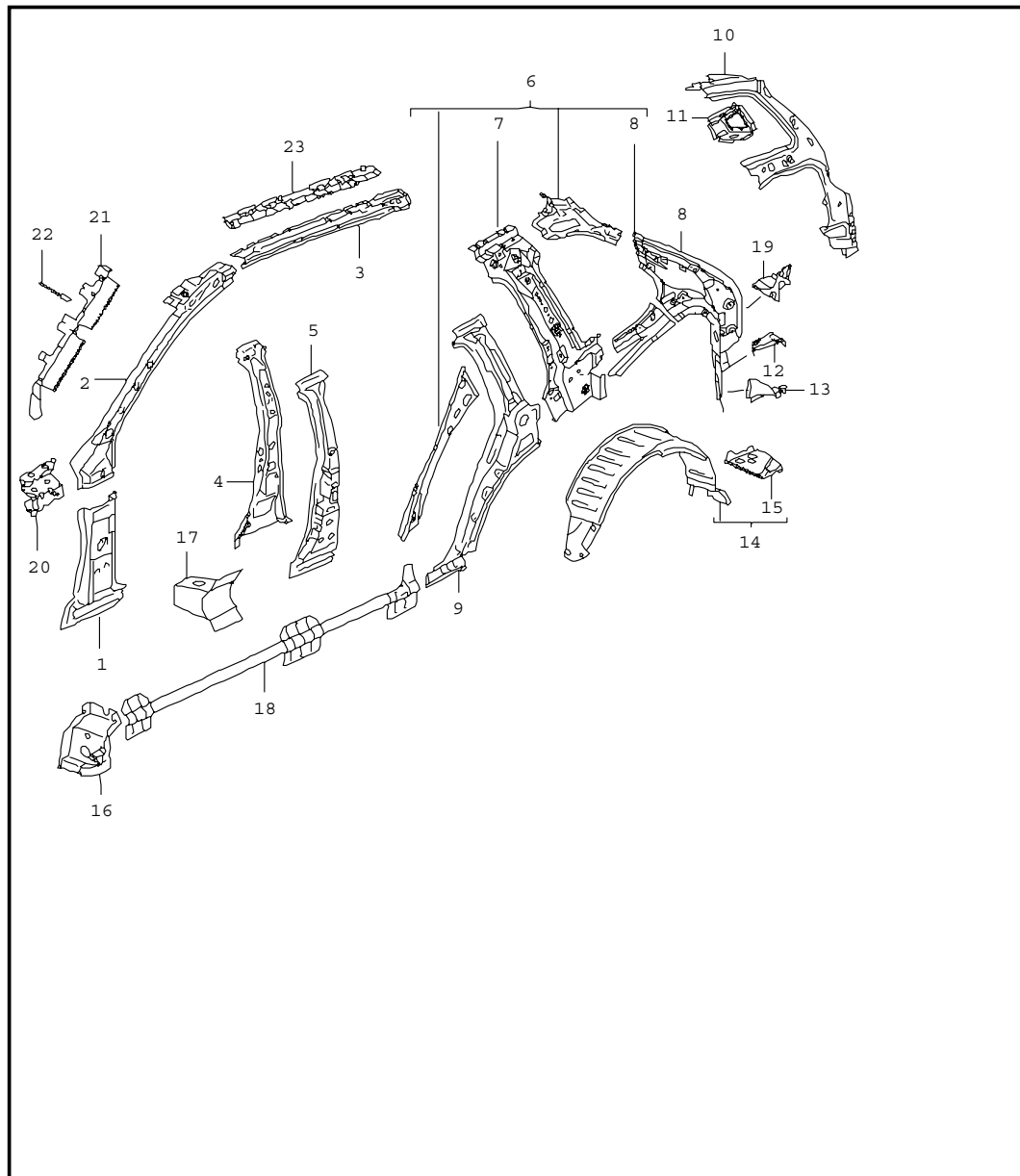
Pos	Part Number	Name	Remarks	Qty	Model	Pos	Part Number	Name	Remarks	Qty	Model
	01C	satin black									
(14)	955 504 778 00	cover	/R	1							
	01C	satin black									
15	N 038 501 2	expansion rivet A 6 X 12		8							
		- - - E N D - - -									

Model	Year	MG	SG	Illustration	Restrictions	Update	18:49	16.08.2006	PORSCHE	PET	PORSCHE
9pa	06	8	01	801-45		203					



Pos	Part Number	Name	Remarks	Qty	Model
		roof cowl			
1	955 503 101 00	roof		1	
	GRV	prime coated			
2	955 503 101 01	roof		1	
	GRV	prime coated for sliding roof			
3	955 503 101 02	roof		1	I3FU
	GRV	prime coated use also:			
-	000 043 300 98	connection piece see workshop manual group 51		3	
-	000 043 300 95	adhesive set roof TEROKAL 5045		X	
-	000 043 205 37	mixing tube supplement set		X	
4	955 502 122 00	cross member		1	
	GRV	prime coated			
5	955 502 287 00	cross member	/L	1	
	GRV	prime coated			
(5)	955 502 288 00	cross member	/R	1	
	GRV	prime coated			
6	955 502 161 01	roof frame		1	
	GRV	prime coated			
-	000 043 204 85	cavity preservation 400 ML		X	
		- - - E N D - - -			

Model	Year	MG	SG	Illustration	Restrictions	Update	18:49	16.08.2006	PORSCHE	PET	PORSCHE
9pa	06	8	01	801-50		203					



Pos	Part Number	Name	Remarks	Qty	Model
1	955 502 203 00	side section inner reinforcement	/L	1	
	GRV	prime coated			
(1)	955 502 204 00	reinforcement	/R	1	
	GRV	prime coated			
2	955 502 193 00	reinforcement	/L	1	
	GRV	prime coated			
(2)	955 502 194 00	reinforcement	/R	1	
	GRV	prime coated			
3	955 502 249 00	reinforcement	/L	1	
	GRV	prime coated			
(3)	955 502 250 00	reinforcement	/R	1	
	GRV	prime coated			
4	955 502 443 00	b-pillar	/L	1	
	GRV	prime coated inner			
(4)	955 502 444 01	b-pillar	/R	1	
	GRV	prime coated inner			
5	955 502 607 00	b-pillar	/L	1	
	GRV	prime coated outer			
(5)	955 502 608 00	b-pillar	/R	1	
	GRV	prime coated outer			
6	955 502 403 01	side section	/L	1	
	GRV	prime coated			
(6)	955 502 404 01	side section	/R	1	
	GRV	prime coated			
7	955 502 545 00	c-pillar	/L	1	

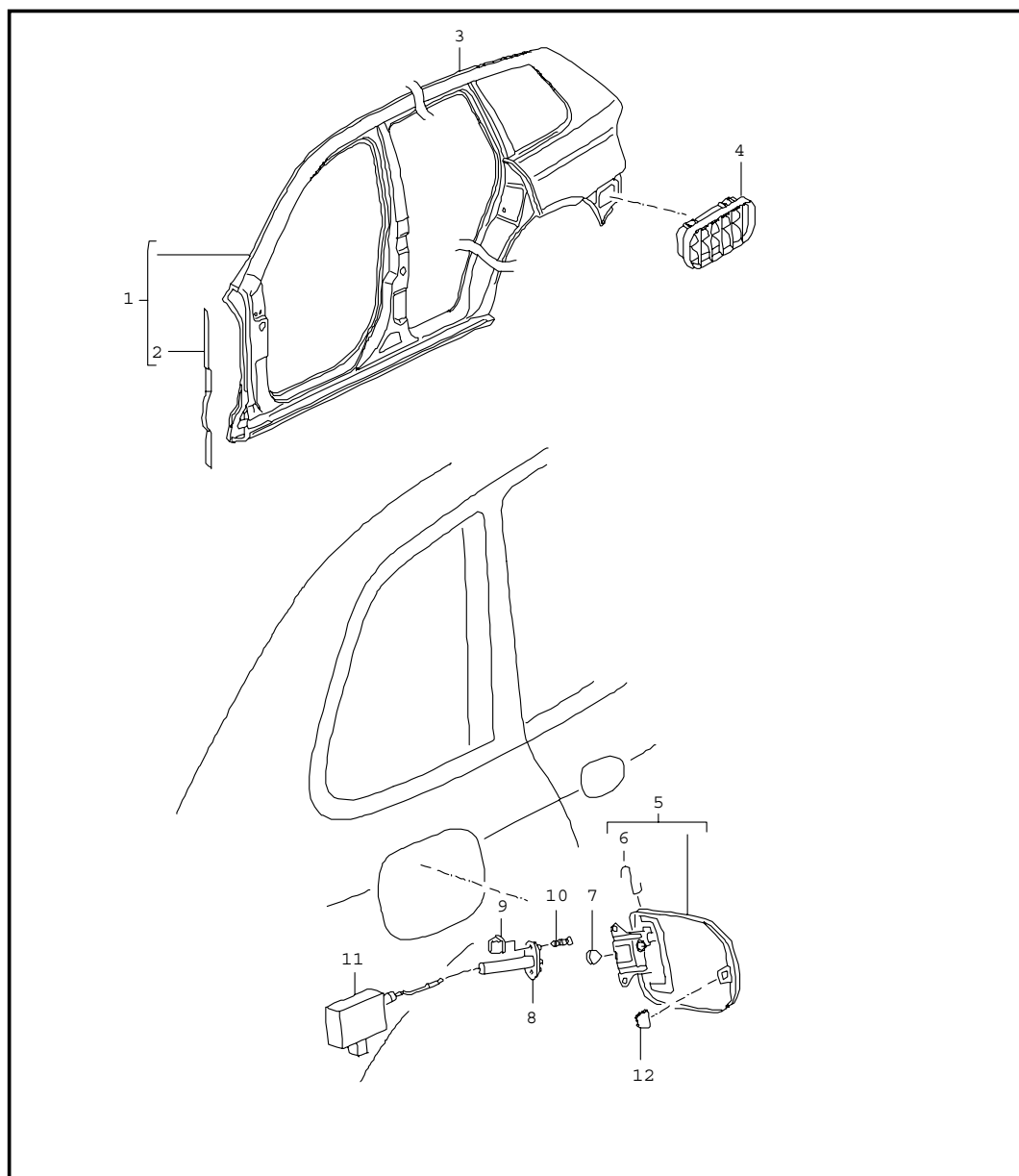
Model	Year	MG	SG	Illustration	Restrictions	Update	18:49	16.08.2006	PORSCHE	PET	PORSCHE
9pa	06	8	01	801-50		203					

Pos	Part Number	Name	Remarks	Qty	Model	Pos	Part Number	Name	Remarks	Qty	Model
(7)	955 502 546 00	GRV prime coated inner c-pillar	/R	1		14	955 502 409 00	GRV prime coated wheel housing	/L	1	
8	955 502 289 00	GRV prime coated inner d-pillar	/L	1		(14)	955 502 410 00	GRV prime coated wheel housing	/R	1	
(8)	955 502 290 00	GRV prime coated inner d-pillar	/R	1		15 A	955 502 307 00	GRV prime coated end piece	/L	1	
9	955 502 263 00	GRV prime coated inner c-pillar	/L	1		15	955 502 307 01	GRV prime coated end piece	/L	1	
(9)	955 502 264 00	GRV prime coated outer c-pillar	/R	1		(15)	955 502 308 00	GRV prime coated end piece	/R	1	
10	955 502 299 00	GRV prime coated outer d-pillar	/L	1		16	955 502 221 00	GRV prime coated end plate	/L	1	
(10)	955 502 300 00	GRV prime coated outer d-pillar	/R	1		(16)	955 502 222 00	GRV prime coated end plate	/R	1	
11	955 502 549 01	GRV prime coated reinforcement		1		17	955 502 693 00	GRV prime coated support		2	
12	955 502 259 00	GRV prime coated end piece d-pillar	/L	1		18	955 502 839 00	GRV prime coated reinforcement	/L	1	
(12)	955 502 260 00	GRV prime coated end piece d-pillar	/R	1		(18)	955 502 840 00	GRV prime coated reinforcement	/R	1	
13	955 502 677 00	GRV prime coated end piece	/L	1		19	955 502 505 00	GRV prime coated gusset plate	/L	1	
(13)	955 502 678 00	GRV prime coated end piece	/R	1		(19)	955 502 506 00	GRV prime coated gusset plate	/R	1	
						-	000 043 204 85	GRV prime coated cavity preservation 400 ML		X	
						20	955 502 623 00	GRV prime coated hinge reinforcement	/L	1	
								GRV prime coated a-pillar			

Model	Year	MG	SG	Illustration	Restrictions	Update	18:49	16.08.2006	PORSCHE	PET	PORSCHE
9pa	06	8	01	801-50		203					

Pos	Part Number	Name	Remarks	Qty	Model	Pos	Part Number	Name	Remarks	Qty	Model
(20)	955 502 624 00	hinge reinforcement	/R	1							
	GRV	prime coated a-pillar									
21	955 503 561 00	deformation element	/L	1							
	GRV	prime coated a-pillar									
(21)	955 503 562 00	deformation element	/R	1							
	GRV	prime coated a-pillar									
		- - - E N D - - -									

Model	Year	MG	SG	Illustration	Restrictions	Update	18:49	16.08.2006	PORSCHE	PET	PORSCHE
9pa	06	8	01	801-55		203					

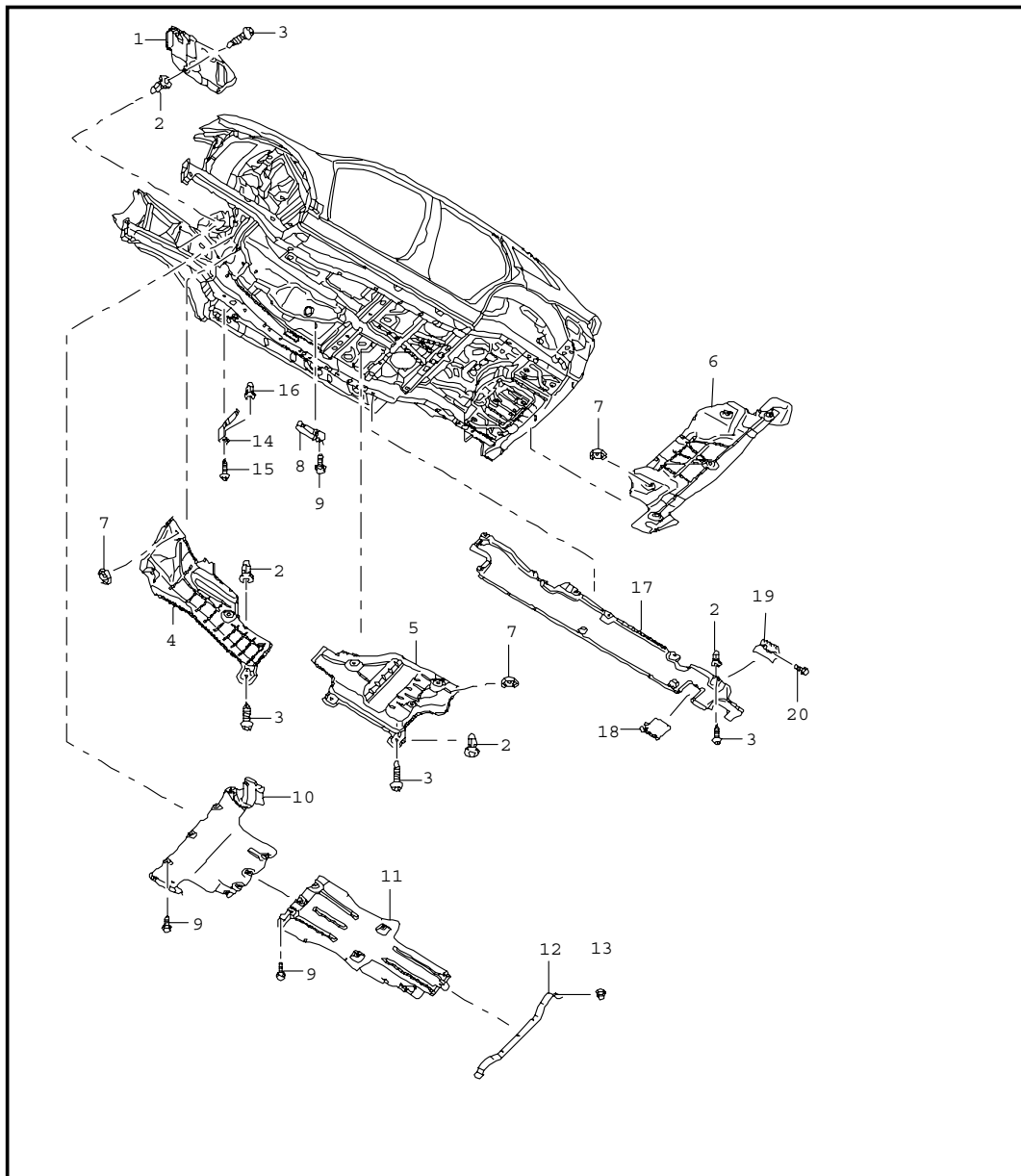


Pos	Part Number	Name	Remarks	Qty	Model
		side section outer			
1	955 503 935 00	side section	/L	1	
	GRV	prime coated			
(1)	955 503 936 00	side section	/R	1	
	GRV	prime coated			
2 A	955 502 573 00	rail	/L	1	
	GRV	prime coated			
2	955 502 573 01	rail	/L	1	
	GRV	prime coated			
(2) A	955 502 574 00	rail	/R	1	
	GRV	prime coated			
(2)	955 502 574 01	rail	/R	1	
	GRV	prime coated			
3	955 503 943 00	side section	/L	1	I0AG
	GRV	prime coated			
3	955 503 943 01	side section	/L	1	
	GRV	prime coated			
(3)	955 503 944 00	side section	/R	1	
	GRV	prime coated			
4	955 504 181 01	frame		2	
5	955 504 133 01	fuel filler flap		1	
	GRV	prime coated			
6	955 504 131 00	spring		1	
7	N 903 598 01	buffer		1	
8	955 504 899 00	guide sleeve	-05	1	
8	955 504 899 02	guide sleeve	06-	1	
9	999 591 762 40	special nut		2	
10	900 145 041 07	tapping screw ST 3,5 X 16		2	

Model	Year	MG	SG	Illustration	Restrictions	Update	18:49	16.08.2006	PORSCHE	PET	PORSCHE
9pa	06	8	01	801-55		203					

Pos	Part Number	Name	Remarks	Qty	Model	Pos	Part Number	Name	Remarks	Qty	Model
11	A 955 624 773 00	actuator		1							
11	955 624 773 01	actuator	-05	1							
11	955 624 773 02	actuator	06-	1							
-	000 043 204 85	cavity preservation 400 ML		X							
12	955 504 910 00	guide for fuel filler flap		1							
13	955 504 986 00	opener for fuel filler flap	06-	1							
14	N 101 703 01	round head screw M6 X 10		2							
		- - - E N D - - -									

Model	Year	MG	SG	Illustration	Restrictions	Update	18:50	16.08.2006	PORSCHE	PET	PORSCHE
9pa	06	8	01	801-70		203					

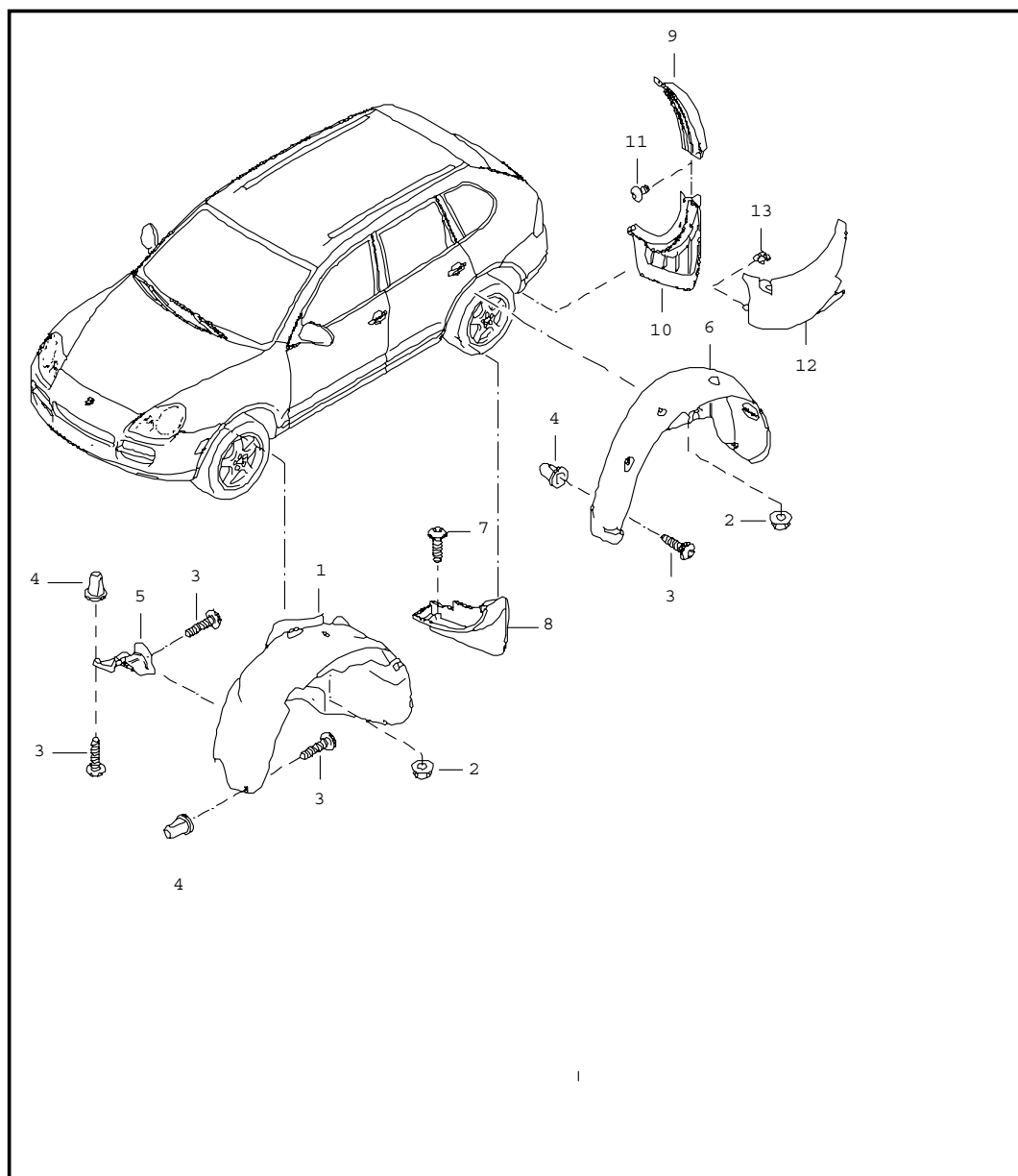


Pos	Part Number	Name	Remarks	Qty	Model
		lining underbody heat protection			
1	955 504 615 00	heat protection	/L	1	
(1)	955 504 616 00	heat protection engine compartment	/R	1	
2	N 910 190 01	expander nut D-7 X 20		X	
3	N 908 082 01	screw M6 X 18,5		X	
4	955 504 661 00	heat protection	/L	1	
(4)	955 504 662 00	heat protection tunnel front	/R	1	
5	955 504 681 00	heat protection tunnel centre		1	
6	955 504 711 00	heat protection for rear muffler		1	
7	N 906 431 01	speed nut		X	
8	955 504 263 00	clip cover plate rear		2	
9	N 101 579 02	hexagon-head bolt M6 X 25		4	
10	955 504 285 00	underbody protection front		1	I6EA/6EQ I6ET
(10)	955 107 981 00	underbody protection front		1	I6EP/6ES I6GE/6GF
11	A 955 504 231 00	underbody protection		1	IGOR
11	955 504 231 01	underbody protection		1	IGOR
(11)	955 504 231 02	underbody protection rear		1	IGOL
12	955 504 955 00	bracket		1	IGOR
12	955 504 955 01	bracket rear		1	IGOL
13	N 908 877 01	hexagon nut M6		2	

Model	Year	MG	SG	Illustration	Restrictions	Update	18:50	16.08.2006	PORSCHE	PET	PORSCHE
9pa	06	8	01	801-70		203					

Pos	Part Number	Name	Remarks	Qty	Model	Pos	Part Number	Name	Remarks	Qty	Model
14	955 504 241 00	support	/L	1							
(14)	955 504 242 00	support	/R	1							
15	N 909 210 01	hexagon-head bolt		1							
16	N 904 085 02	blind rivet nut M8/0,5-3,0		1							
17	955 504 211 00	lining underbody	/L	1							
(17)	955 504 212 00	lining underbody	/R	1							
18	955 504 271 00	cover jacking point	/L	1							
(18)	955 504 272 00	cover jacking point	/R	1							
19	955 504 123 00	plate	-05	2							
19	955 504 123 01	plate jacking point	06-	2							
20	N 904 121 02	screw M6 X 25 plate jack		4							
- - - E N D - - -											

Model	Year	MG	SG	Illustration	Restrictions	Update	18:50	16.08.2006	PORSCHE	PET	PORSCHE
9pa	06	8	01	801-75		203					

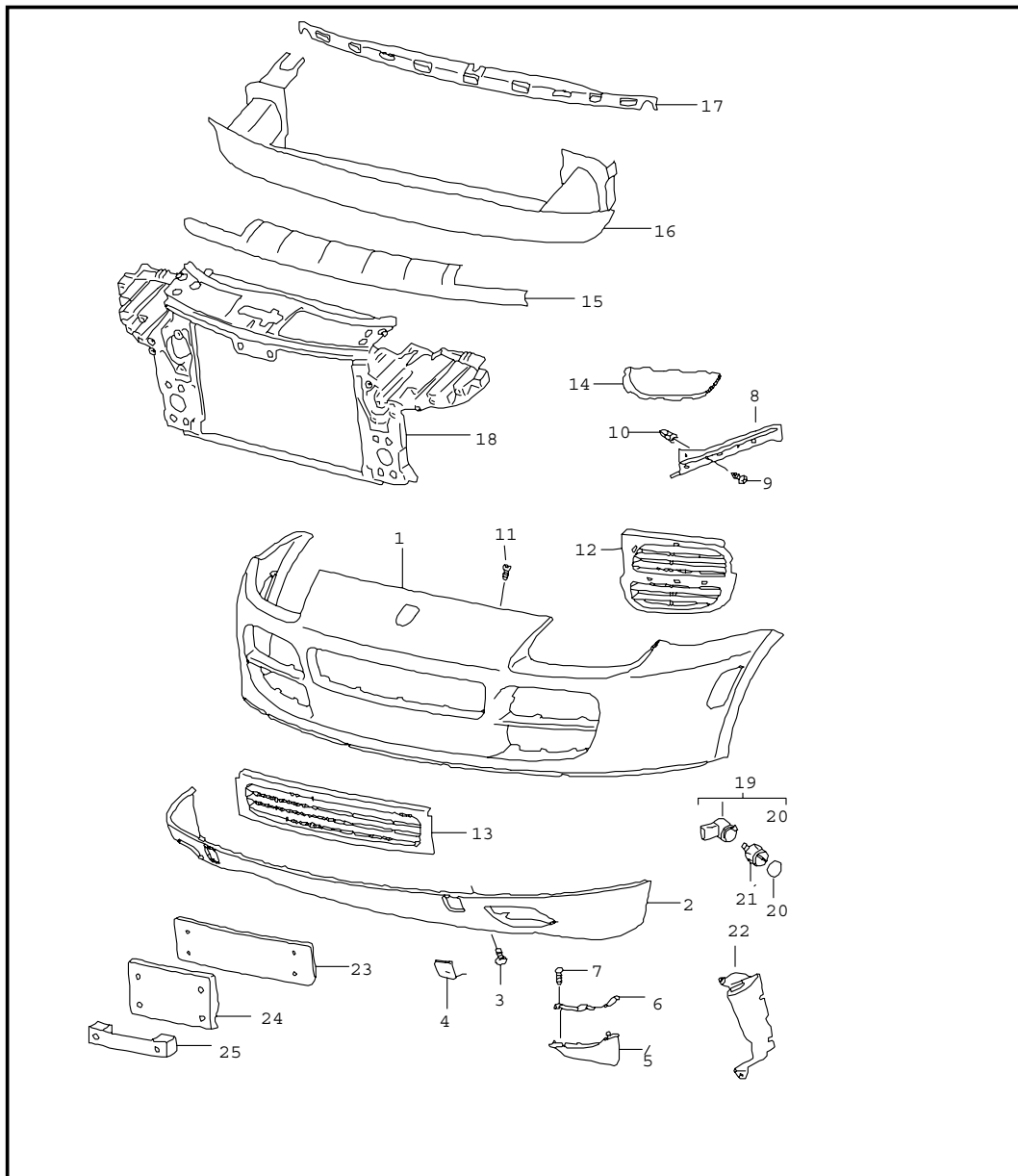


Pos	Part Number	Name	Remarks	Qty	Model
1	955 504 961 00	lining wheel housing			
		wheel-housing liner	/L	1	ID9K/D9J
(1)	955 504 962 00	wheel-housing liner front	/R	1	ID9K/D9J
(1)	955 504 961 01	wheel-housing liner	/L	1	ID9L
(1)	955 504 962 01	wheel-housing liner front	/R	1	ID9L
-	955 505 735 00	clamp wheel-housing liner spoiler		X	
2	N 903 521 01	hexagon nut B 5		X	
3	N 100 004 02	screw ST4,8 X 16		X	
4	N 103 180 01	expander nut 4,8 X 15,5		X	
5	955 504 967 00	cover	/L	1	ID9K/D9J
(5)	955 504 968 00	cover	/R	1	ID9K/D9J
(5)	955 504 967 01	cover	/L	1	ID9L
(5)	955 504 968 01	cover	/R	1	ID9L
6	955 504 971 00	wheel-housing liner	/L	1	
(6)	955 504 972 00	wheel-housing liner rear	/R	1	
(6)	955 504 971 01	wheel-housing liner	/L	1	I6N1
(6)	955 504 972 01	wheel-housing liner rear	/R	1	I6N1
7	N 909 855 01	screw M5 X 12		2	
8	955 505 547 00	spoiler	/L	1	
(8)	955 505 548 00	spoiler wheel-housing liner rear	/R	1	
9	955 504 307 00	wheel cover	/L	1	
		01C satin black			
(9)	955 504 308 00	wheel cover	/R	1	

Model	Year	MG	SG	Illustration	Restrictions	Update	18:50	16.08.2006	PORSCHE	PET	PORSCHE
9pa	06	8	01	801-75		203					

Pos	Part Number	Name	Remarks	Qty	Model	Pos	Part Number	Name	Remarks	Qty	Model
	01C	satin black									
10	955 504 821 00	mud flap	/L	1							
	01C	satin black									
(10)	955 504 822 00	mud flap	/R	1							
	01C	satin black									
11	N 909 159 01	screw M 5 X 14		6							
12	955 505 829 00	cover	/L	1	I2D1/2D2						
(12)	955 505 830 00	cover wheel-housing liner	/R	1	I2D1/2D2						
		- - - E N D - - -									

Model	Year	MG	SG	Illustration	Restrictions	Update	18:50	16.08.2006	PORSCHE	PET	PORSCHE
9pa	06	8	02	802-00		203					



Pos	Part Number	Name	Remarks	Qty	Model
1	955 505 311 00	lining front		1	ID9J/D9K
	G2X	prime coated			
(1)	955 505 311 01	lining		1	ID9J/D9K/8X1
	G2X	prime coated			
(1)	955 505 311 02	lining		1	ID9J/D9K/7X2
	G2X	prime coated			
(1)	955 505 311 03	lining		1	ID9J/D9K/8X1 I7X2
	G2X	prime coated			
(1)	955 505 311 06	lining		1	ID9J/D9K/VR3
	G2X	prime coated			
(1)	955 505 311 07	lining		1	ID9J/D9K/VR3 I8X1
	G2X	prime coated			
(1)	955 505 311 08	lining		1	ID9J/D9K/VR3 I7X2
	G2X	prime coated			
(1)	955 505 311 09	lining		1	ID9J/D9K/VR3 I8X1/7X2
	G2X	prime coated			
(1)	955 505 311 04	lining		1	ID9L
	G2X	prime coated			
2	955 505 061 00	spoiler		1	ID9J/D9K
(2)	955 505 061 04	spoiler	05-	1	ID9J/D9K
	G2X	prime coated			
(2)	955 505 061 01	spoiler		1	ID9L
	G2X	prime coated			
(2)	955 505 061 02	spoiler	05-	1	ID9J/D9K/2D1 I2D2
	G2X	prime coated			

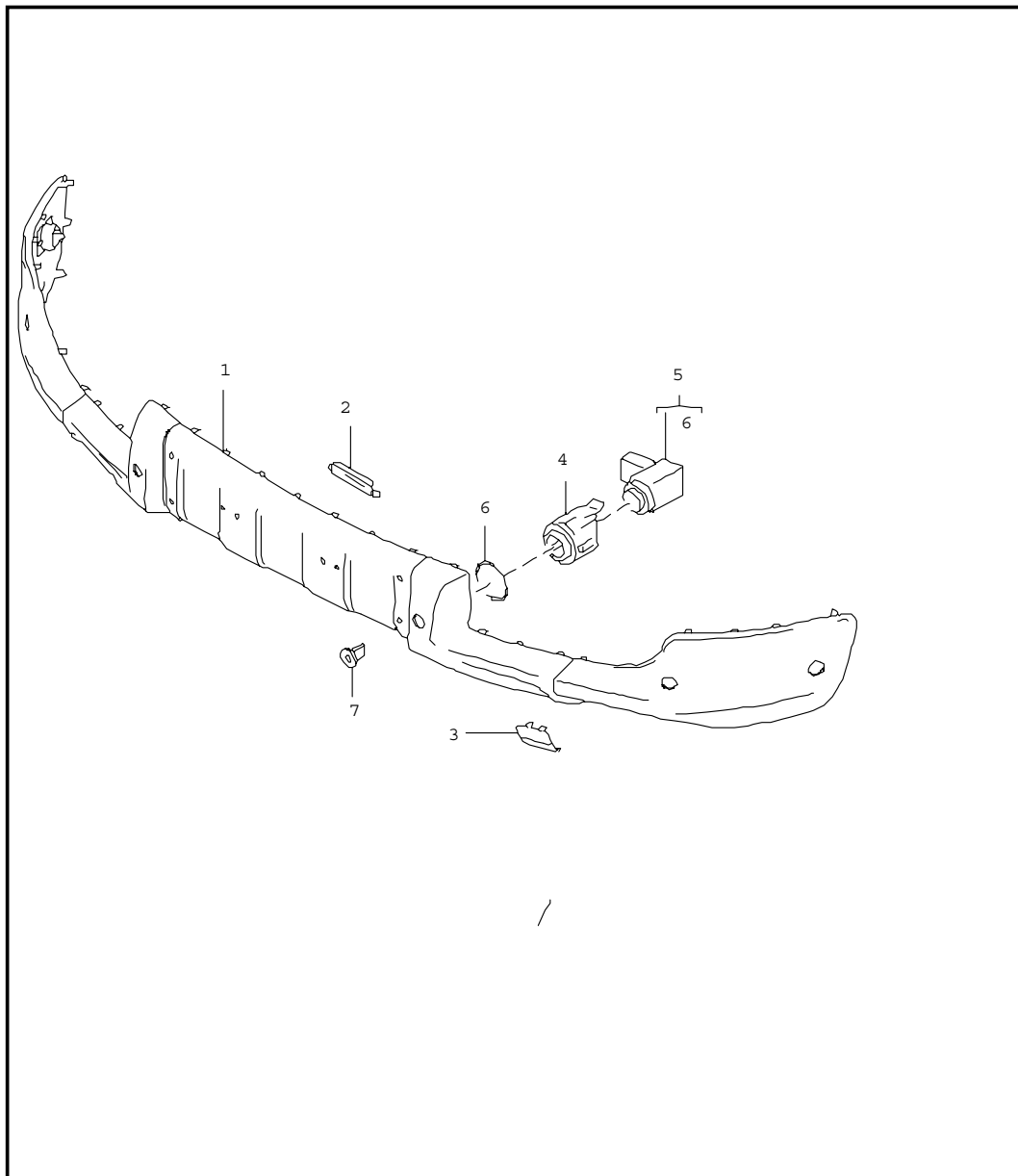
Model	Year	MG	SG	Illustration	Restrictions	Update	18:50	16.08.2006	PORSCHE	PET	PORSCHE
9pa	06	8	02	802-00		203					

Pos	Part Number	Name	Remarks	Qty	Model	Pos	Part Number	Name	Remarks	Qty	Model
(2)	955 505 061 03	spoiler	05-	1	ID9L/2D1/2D2	6	955 505 819 00	reinforcement strip	/L	1	
	G2X	prime coated					GRV	prime coated			
-	955 505 735 00	clamp wheel-housing liner spoiler		X		(6)	955 505 820 00	reinforcement strip	/R	1	
							GRV	prime coated			
-	955 505 900 00	front end cover stainless steel		1	ID9J/D9K/2JC	7	N 907 676 01	screw 6,0 X 12,0		6	
-	955 505 900 01	front end cover stainless steel		1	ID9J/D9K/2JC IVR3	8	955 505 049 00	guide rail	/L	1	
-	955 505 900 10	front end cover stainless steel		1	ID9L/2JC	(8)	955 505 050 00	guide rail	/R	1	
-	955 505 901 00	connecting piece front end cover		1	ID9J/D9K/2JC	9	N 906 487 02	tapping screw ST 4,8 X 16,0		12	
-	955 505 901 10	connecting piece front end cover		1	ID9L/2JC	10	955 505 966 00	expander nut		12	
3	N 908 082 01	shouldered bolt 6 X 18,5		4		-	955 505 887 00	plug lining upper		2	
4	955 505 155 00	cap	/L	1	ID9J/D9K	12	955 505 681 00	grille	/L	1	ID9J/D9K
(4)	955 505 903 00	cap	/L	1	ID9J/D9K/2JC	(12)	955 505 682 00	grille	/R	1	ID9J/D9K
(4)	955 505 156 00	cap	/R	1	ID9J/D9K	(12)	955 505 681 01	grille	/L	1	ID9L
(4)	955 505 902 00	cap	/R	1	ID9J/D9K/2JC	(12)	955 505 682 01	grille	/R	1	ID9L
(4)	955 505 155 01	cap	/L	1	ID9L	13	955 505 683 00	grille		1	ID9J/D9K
	G2X	prime coated				(13)	955 505 683 01	grille upper		1	ID9L
(4)	955 505 156 01	cap	/R	1	ID9L	(13)	955 505 684 00	grille lower		1	ID9L
	G2X	prime coated									
(4)	955 505 903 10	cap	/L	1	ID9L/2JC	14	955 505 143 00	cap	/L	1	ID9J
(4)	955 505 902 10	cap	/R	1	ID9L/2JC	(14)	955 505 144 00	cap	/R	1	ID9J
(4)	955 505 155 05	cap	/L 05-	1	I2D1/2D2	15	955 505 915 00	cover		1	ID9J/D9K
	G2X	prime coated				(15)	955 505 915 01	cover		1	ID9L
(4)	955 505 156 05	cap	/R 05-	1	I2D1/2D2	16	955 505 109 00	bumper reinforcement		1	
	G2X	prime coated				17	955 505 550 00	plastic foam strip		1	
5	955 505 513 00	spoiler	/L	1		18	955 505 594 00	bracket		1	
(5)	955 505 514 00	spoiler	/R	1		-	955 505 992 00	plug		1	

Model	Year	MG	SG	Illustration	Restrictions	Update	18:50	16.08.2006	PORSCHE	PET	PORSCHE
9pa	06	8	02	802-00		203					

Pos	Part Number	Name	Remarks	Qty	Model	Pos	Part Number	Name	Remarks	Qty	Model
-	955 505 799 00	supporting plate		1			G2X	prime coated			
-	955 505 733 00	support	/L	1		(21)	955 505 465 01	housing outer	/L	1	ID9L/7X2
-	955 505 734 00	support	/R	1			G2X	prime coated			
19	955 606 275 02	sensor		X		(21)	955 505 466 01	housing outer	/R	1	ID9L/7X2
20	955 606 659 00	ring		X			G2X	prime coated			
21	955 505 371 00	housing inner	/L	1	ID9J/D9K/7X2	22	955 505 665 00	cover	/L	1	ID9J/D9K/8X1
	G2X	prime coated				(22)	955 505 666 00	cover	/R	1	ID9J/D9K/8X1
(21)	955 505 372 00	housing inner	/R	1	ID9J/D9K/7X2	23	955 701 105 00	support		1	ID9J/D9K/6W1
	G2X	prime coated					G2X	prime coated			
(21)	955 505 475 00	housing centre	/L	1	ID9J/D9K/7X2	(23)	955 701 105 01	support		1	ID9L/6W1
	G2X	prime coated					G2X	prime coated			
(21)	955 505 476 00	housing centre	/R	1	ID9J/D9K/7X2	24	955 701 105 02	support		1	ID9J/D9K/6W2
	G2X	prime coated					G2X	prime coated			
(21)	955 505 465 00	housing outer	/L	1	ID9J/D9K/7X2	(24)	955 701 105 03	support		1	ID9L/I6W2
	G2X	prime coated					G2X	prime coated			
(21)	955 505 466 00	housing outer	/R	1	ID9J/D9K/7X2	25	955 701 105 04	support		1	ID9J/D9K/6W3
	G2X	prime coated				(25)	955 701 105 05	support		1	ID9L/6W3
(21)	955 505 371 01	housing inner	/L	1	ID9L/7X2	-	955 641 379 00	temperature sensor		1	
	G2X	prime coated				-	955 505 307 00	intermediate piece	/L	1	ID9L
(21)	955 505 372 01	housing inner	/R	1	ID9L/7X2	-	955 505 308 00	intermediate piece	/R	1	ID9L
	G2X	prime coated				-	N 907 809 01	round head screw M 6 X 16		X	
(21)	955 505 475 01	housing centre	/L	1	ID9L/7X2			- - - E N D - - -			
	G2X	prime coated									
(21)	955 505 476 01	housing centre	/R	1	ID9L/7X2						

Model	Year	MG	SG	Illustration	Restrictions	Update	18:50	16.08.2006	PORSCHE	PET	PORSCHE
9pa	06	8	02	802-02		203					

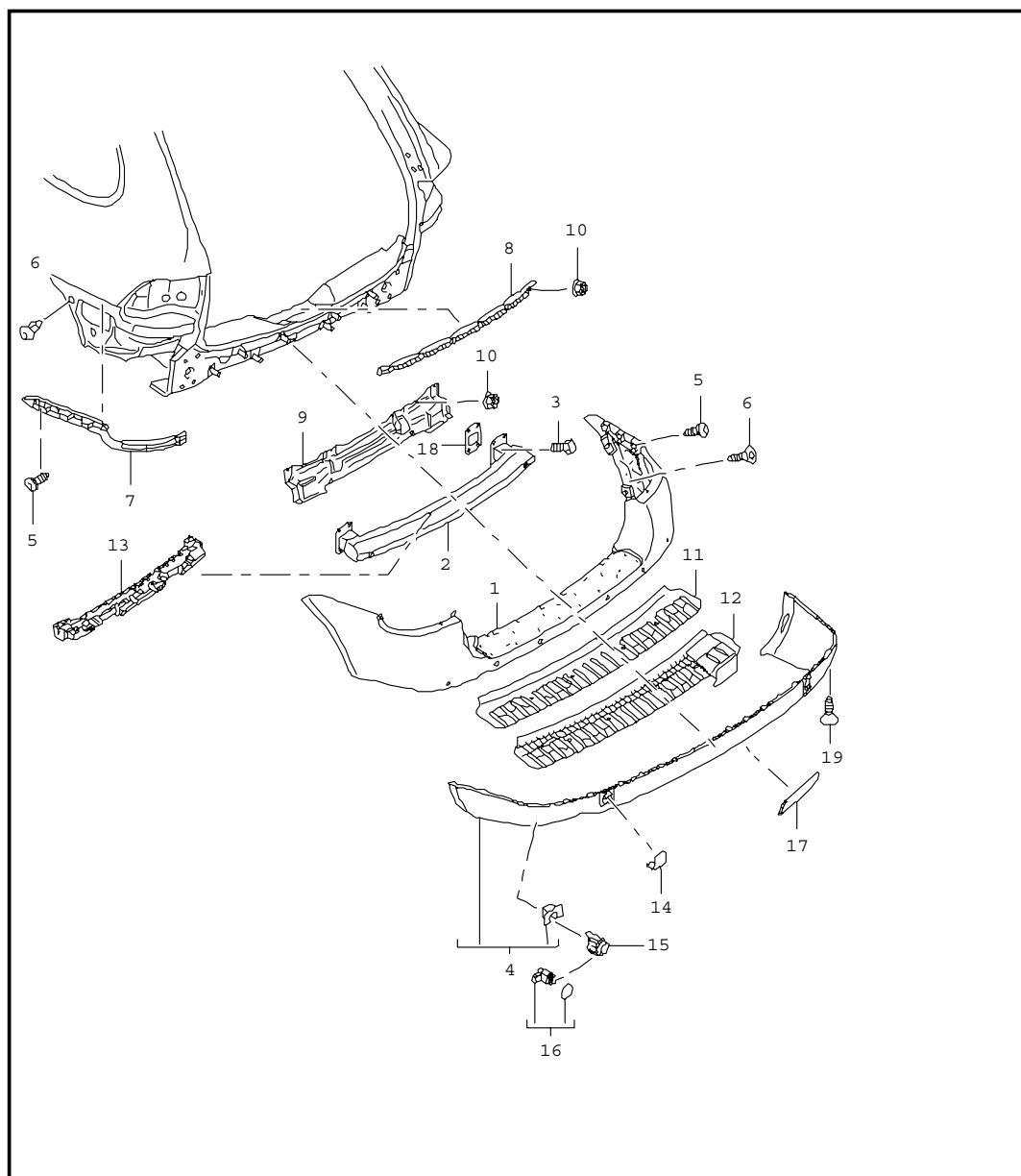


Pos	Part Number	Name	Remarks	Qty	Model
		protection front			ID9J/D9K
1	955 505 860 00	protection		1	I2JB/6W1
	B41	satin black			
(1)	955 505 861 00	protection		1	I2JB/7X2/6W1
	B41	satin black			
(1)	955 505 862 00	protection		1	I2JB
	B41	satin black			
(1)	955 505 863 00	protection		1	I2JB/7X2
	B41	satin black			
(1)	955 505 866 00	protection		1	I6W1/2JC
	B41	satin black			
(1)	955 505 867 00	protection		1	I6W1/2JC/7X2
	B41	satin black			
(1)	955 505 868 00	protection		1	I2JC
	B41	satin black			
(1)	955 505 869 00	protection		1	I2JC/7X2
	B41	satin black			
2	955 505 897 00	u-clamp		56	
3 A	955 505 155 02	cap	/L	1	
	B41	satin black			
3	955 505 155 03	cap	/L	1	
	B41	satin black			
(3) A	955 505 156 02	cap	/R	1	
	B41	satin black			
(3)	955 505 156 03	cap	/R	1	
	B41	satin black			
4	955 505 465 00	ring	/L	1	I7X2
	G2X	prime coated outer			

Model	Year	MG	SG	Illustration	Restrictions	Update	18:50	16.08.2006	PORSCHE	PET	PORSCHE
9pa	06	8	02	802-02		203					

Pos	Part Number	Name	Remarks	Qty	Model	Pos	Part Number	Name	Remarks	Qty	Model
(4)	955 505 466 00	ring	/R	1	I7X2						
	G2X	prime coated outer									
(4)	955 505 465 01	ring	/L	1	I7X2						
	G2X	prime coated inner									
(4)	955 505 466 01	ring	/R	1	I7X2						
	G2X	prime coated inner									
(4)	955 505 475 01	ring	/L	1	I7X2						
	G2X	prime coated centre									
(4)	955 505 476 01	ring	/R	1	I7X2						
	G2X	prime coated centre									
5	955 606 275 02	sensor park distance control		1	I7X2						
6	955 606 659 00	ring park distance control		1	I7X2						
7	N 902 184 01	blind rivet nut M6		4							
8	955 701 105 00	retaining frame		1	I6W1						
	G2X	prime coated									
(8)	955 701 105 04	retaining frame		1	I6W2						
	G2X	prime coated									
9	N 907 982 01	screw M6 X 20		4							
		- - - E N D - - -									

Model	Year	MG	SG	Illustration	Restrictions	Update	18:50	16.08.2006	PORSCHE	PET	PORSCHE
9pa	06	8	02	802-05		203					

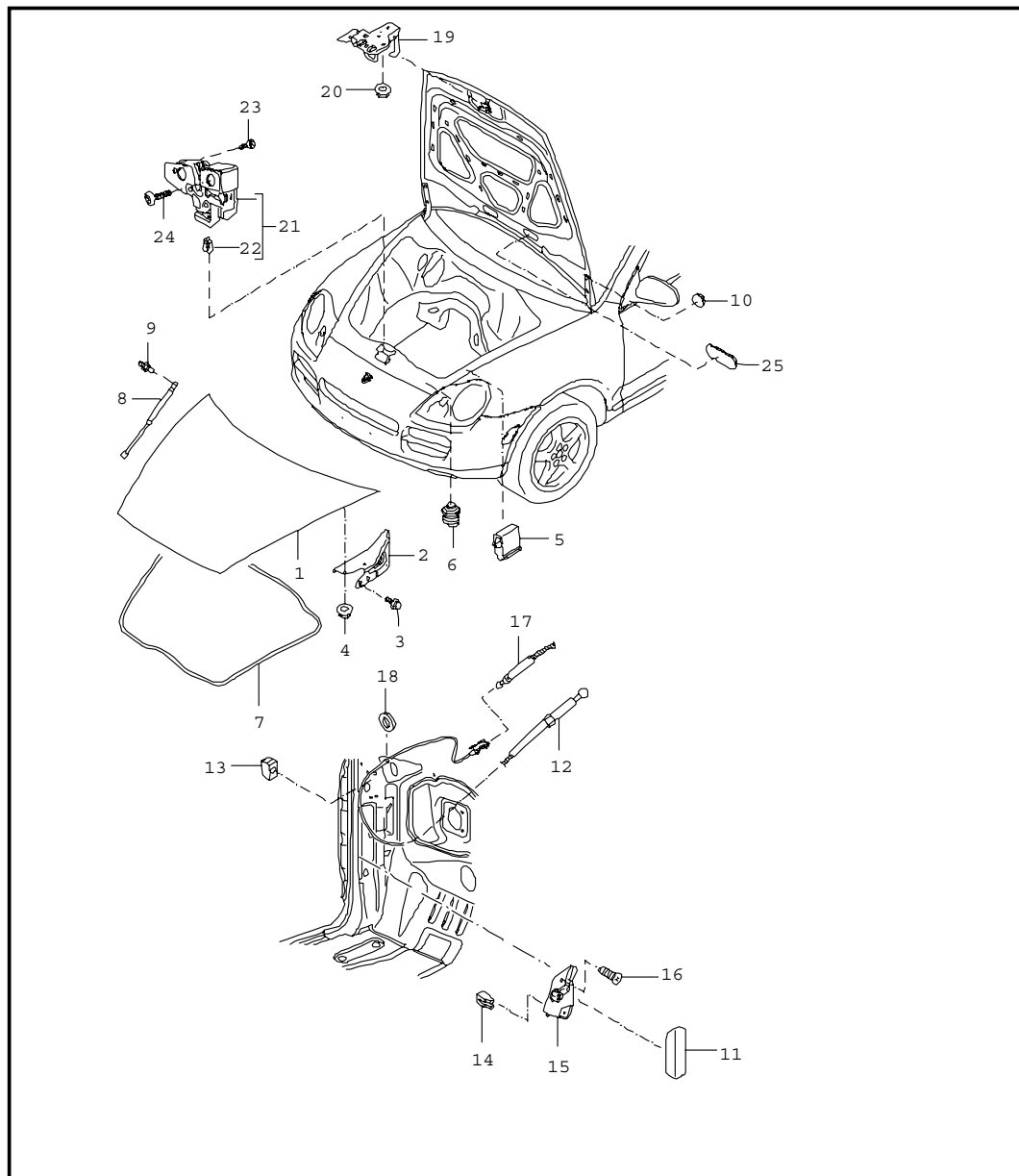


Pos	Part Number	Name	Remarks	Qty	Model
1	955 505 411 00	lining rear		1	I1G1/1G6/1G8
	G2X	prime coated			
(1)	955 505 411 01	lining		1	I1G3
	G2X	prime coated			
(1)	955 505 411 02	lining		1	I1G1/1G6/7X2 I1G8
	G2X	prime coated			
(1)	955 505 411 03	lining		1	I1G3/7X2
	G2X	prime coated			
2	955 505 313 03	bumper reinforcement		1	I1D0/1G1/1G6
(2)	955 505 313 04	bumper reinforcement		1	I1D0/1G3
3	A N 910 250 01	screw		8	
3	WHT 000 401	screw M 14 X 45	-05	8	
3	N 911 038 02	screw m 12 x 50	06-	8	
4	955 505 521 00	spoiler black	-04	1	ID9J/D9K
(4)	955 505 521 01	spoiler black	-04	1	ID9J/D9K/1G3
(4)	955 505 521 04	spoiler black		1	I0P3
(4)	955 505 521 05	spoiler black		1	I0P3/1G3
(4)	955 505 521 00	spoiler	05-	1	ID9J/D9K
	G2X	prime coated			
(4)	955 505 521 01	spoiler	05-	1	ID9J/D9K/1G3
	G2X	prime coated			
(4)	955 505 521 02	spoiler		1	ID9L
	G2X	prime coated			
(4)	955 505 521 03	spoiler		1	ID9L/1G3

Model	Year	MG	SG	Illustration	Restrictions	Update	18:50	16.08.2006	PORSCHE	PET	PORSCHE
9pa	06	8	02	802-05		203					

Pos	Part Number	Name	Remarks	Qty	Model	Pos	Part Number	Name	Remarks	Qty	Model
	G2X	prime coated				15	955 505 266 00	mounting		6	
(4)	955 505 521 06	spoiler	05-	1	I2D1/2D2	16	955 606 275 02	sensor		6	
	G2X	prime coated				17	955 505 087 00	cover		1	ID9J/D9K
-	955 505 526 00	clip	05-	1	I2D1/2D2	(17)	955 505 087 01	cover		1	ID9L
5	N 906 487 02	tapping screw 4,8 X 18		18			G2X	prime coated			
6	N 105 168 01	expander nut		18		18	955 505 470 00	gasket		2	
7	955 505 393 00	retaining strip	/L	1		19	N 908 259 01	hexagon socket head bolt		4	
(7)	955 505 394 00	retaining strip	/R	1		-	955 701 847 00	support		1	ID9J/D9K I1G3/6P1
8	955 505 863 00	attachment strip		1		-	955 701 847 01	support		1	ID9L/I1G3/6P1
9	955 505 587 01	cover		1				- - - E N D - - -			
10	N 902 158 04	hexagon nut M 6		8							
11	955 505 787 00	cover		1	I1G6/1G8						
12	955 505 787 01	cover		1	I1G3						
-	955 505 897 00	u-clamp		14							
13	A 955 505 252 00	foam part		1							
13	955 505 252 01	foam part foam part trailer coupling see group 0/02/00		1							
14	955 505 449 00	cap	/L	1	ID9J/D9K						
(14)	955 505 450 00	cap	/R	1	ID9J/D9K						
(14)	955 505 449 02	cap	/L	1	I0P3						
(14)	955 505 450 02	cap	/R	1	I0P3						
(14)	955 505 449 03	cap	/L	1	I2D1/2D2						
(14)	955 505 450 03	cap	/R	1	I2D1/2D2						
(14)	955 505 449 01	cap	/L	1	ID9L						
	G2X	prime coated									
(14)	955 505 450 01	cap	/R	1	ID9L						
	G2X	prime coated									

Model	Year	MG	SG	Illustration	Restrictions	Update	18:51	16.08.2006	PORSCHE	PET	PORSCHE
9pa	06	8	03	803-00		203					

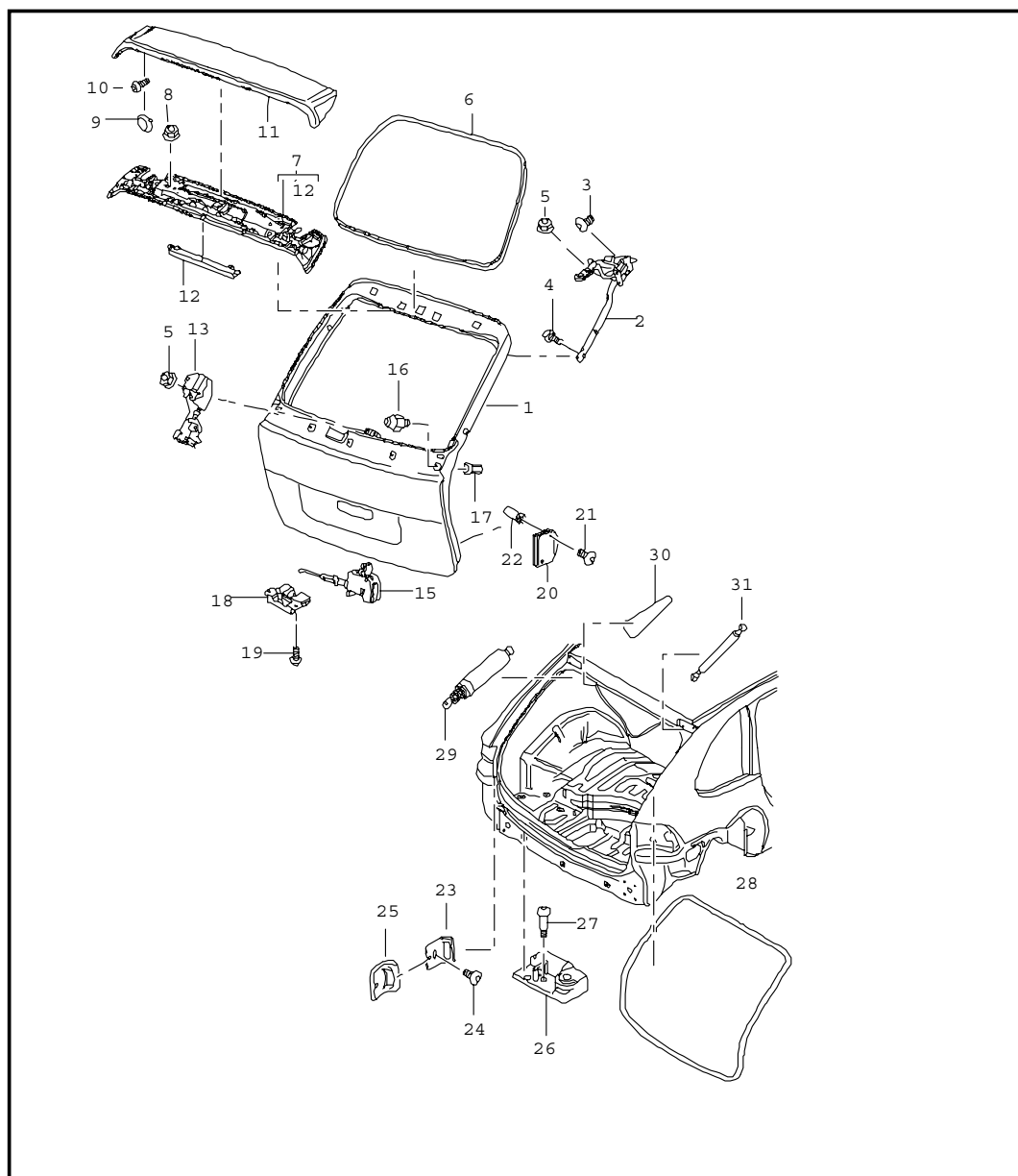


Pos	Part Number	Name	Remarks	Qty	Model
		cover front			
1	955 511 011 00	cover		1	ID9J/D9K
	GRV	prime coated			
(1)	955 511 011 01	cover		1	ID9L
	GRV	prime coated			
2	955 511 301 00	hinge	/L	1	
(2)	955 511 302 00	hinge	/R	1	
3	N 908 079 01	screw M8 X 20		4	
4	N 905 115 02	combined nut M 8		4	
5	955 511 493 00	guide piece		2	
6	955 511 500 00	rubber buffer		2	
7	955 511 707 00	gasket		1	
8	955 511 359 00	damper		1	
9	955 511 439 00	ball pin M8		1	
10	N 909 087 01	plug A12,5 X 3		2	
11	955 511 533 00	actuating lever	/LL	1	
	01C	satin black			
	6C6	sand beige			
	6H8	palmgreen			
	7A8	steel grey			
(11)	955 511 533 01	actuating lever	/RL	1	
	01C	satin black			
	6C6	sand beige			
	6H8	palmgreen			
	7A8	steel grey			
12	955 511 535 00	bowden cable rear		1	

Model	Year	MG	SG	Illustration	Restrictions	Update	18:51	16.08.2006	PORSCHE	PET	PORSCHE
9pa	06	8	03	803-00		203					

Pos	Part Number	Name	Remarks	Qty	Model	Pos	Part Number	Name	Remarks	Qty	Model
13	955 511 645 00	clip for bowden cable		2							
14	N 909 274 01	expander nut 4,8 X 10 for bearing bracket		2							
15	A 955 511 633 00	bearing bracket	/LL	1							
(15)	955 511 633 01	bearing bracket	/LL	1							
(15)	955 511 633 02	bearing bracket	/RL	1							
16	N 905 488 01	rais. counters. h. tap. s. ST 4,8 X 19		2							
17	955 511 531 00	bowden cable	/LL	1							
(17)	955 511 530 00	bowden cable emergency operation	/LL	1							
(17)	955 511 531 01	bowden cable	/RL	1							
(17)	955 511 530 10	bowden cable emergency operation front	/RL	1							
18	955 511 196 00	plug		3							
19	955 511 480 00	hook		1							
20	N 901 326 03	hexagon nut M6		3							
21	955 511 509 01	lid lock		1							
22	955 624 236 00	microswitch		1							
23	N 103 470 02	screw M 6 X 16		1							
24	N 104 422 01	screw M 6 X 40		2							
25	955 511 440 00	plug		2							
- - - E N D - - -											

Model	Year	MG	SG	Illustration	Restrictions	Update	18:51	16.08.2006	PORSCHE	PET	PORSCHE
9pa	06	8	03	803-05		203					

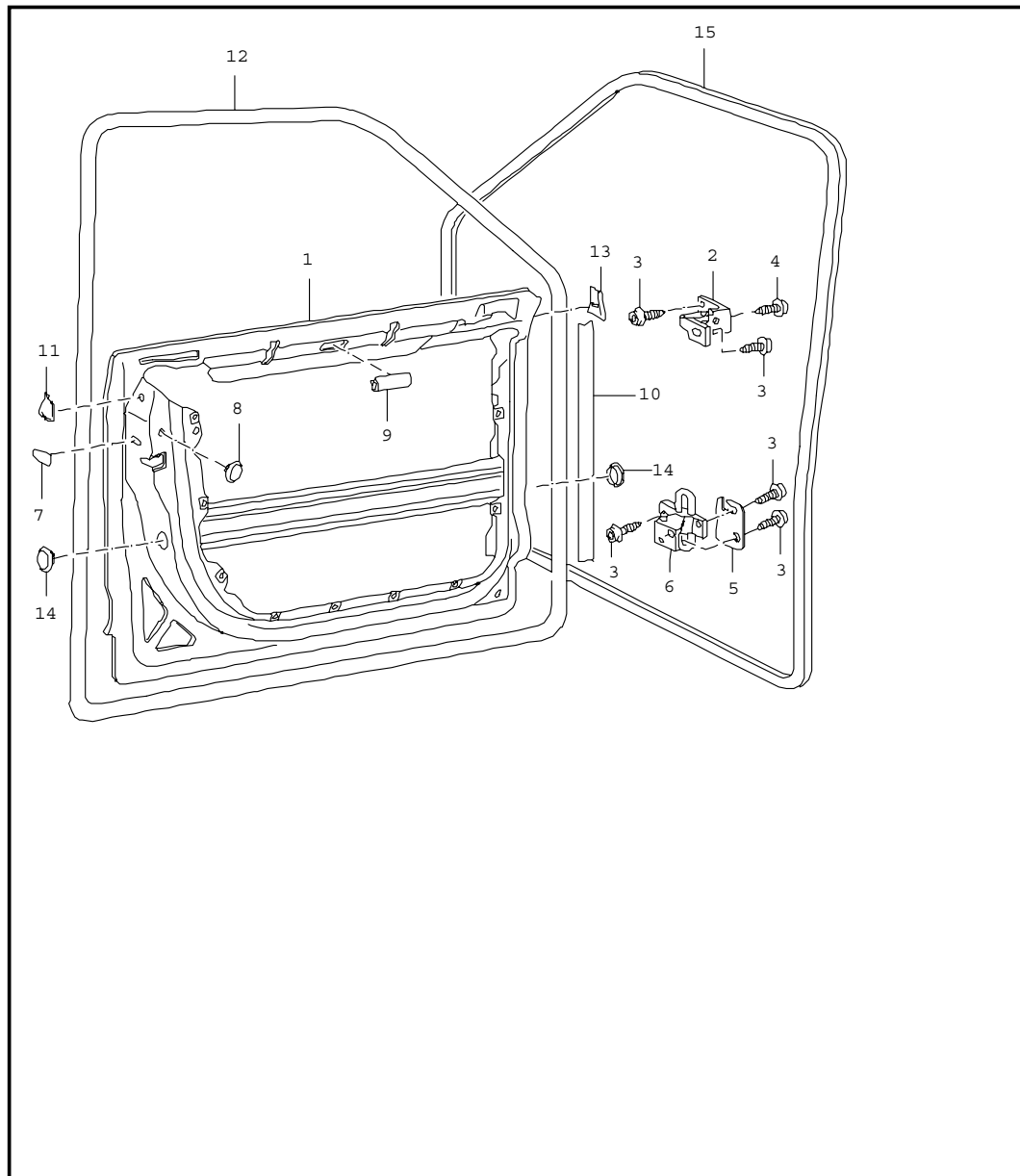


Pos	Part Number	Name	Remarks	Qty	Model
1	A 955 512 011 04	rear lid		1	I6P1
		GRV	prime coated		
1	955 512 011 06	rear lid		1	I6P1
		GRV	prime coated		
(1)	A 955 512 011 05	rear lid		1	I1G3
		GRV	prime coated		
(1)	955 512 011 07	rear lid		1	I1G3
		GRV	prime coated		
-	955 613 271 00	tip switch rear lid		1	
2	955 512 301 00	hinge	/L	1	
(2)	955 512 302 00	hinge	/R	1	
3	N 908 962 01	lens-head screw M 8 X 20		8	
4	N 909 891 01	pan-head screw M 8 X 16		4	
5	N 902 158 02	hexagon nut M 6		X	
6	955 512 521 00	gasket rear window		1	
7	A 955 512 933 00	rear spoiler		1	
7	A 955 512 933 01	rear spoiler		1	
7	955 512 933 02	rear spoiler lower part		1	
8	N 905 083 02	combined nut M 6		4	
9	955 512 975 00	cap		3	
		01C	satin black		
10	N 907 809 03	round head screw M 6 X 16		3	
11	955 512 939 00	rear spoiler		1	
		G2X	prime coated upper part		

Model	Year	MG	SG	Illustration	Restrictions	Update	18:51	16.08.2006	PORSCHE	PET	PORSCHE
9pa	06	8	03	803-05		203					

Pos	Part Number	Name	Remarks	Qty	Model	Pos	Part Number	Name	Remarks	Qty	Model
(11)	955 512 939 01	rear spoiler		1	I2D1/2D2	23	955 512 683 00	guide arm		2	
	G2X	prime coated upper part				24	N 906 381 03	round head screw M 6 X 12		2	
-	955 512 965 02	gasket	/L	1		25	955 512 681 00	rubber stop		2	
-	955 512 966 02	gasket	/R	1		26	955 512 511 00	lock lower part		1	IGY1
-	955 512 965 01	gasket	/L	1	I2D1/2D2	(26)	955 512 512 00	lock lower part		1	
-	955 512 966 01	gasket rear spoiler	/R	1	I2D1/2D2	27	N 907 448 04	hexagon-head bolt M 8 X 20		2	
-	000 043 206 08	set protective film for rear spoiler		1		(27)	N 908 047 02	hexagon-head bolt M 8 X 22		2	IGY1
-	000 043 206 09	set protective film for rear spoiler	05-	1	I 2D1/2D2	28	955 512 705 00	rubber seal for rear lid		1	
12	-	brake light see group 9/05/05		1		29	A 955 512 550 01	damper		2	
13	955 512 506 01	lock for rear window		1		29	955 512 550 02	damper for rear lid		2	
15	955 512 761 00	actuator lock rear lid		1		30	955 512 583 00	trim	/L	1	
16	955 512 471 00	buffer for rear window		2		(30)	955 512 584 00	trim for damper	/R	1	
17	N 908 051 01	blind rivet nut for buffer		X		-	000 043 204 38	sealing material		X	
18	955 512 505 00	lock upper part for rear lid		1		31	955 512 528 00	damper for rear window		2	
19	N 906 405 01	pan-head screw M 8 X 22		2		-	N 907 667 01	blind rivet nut M 6 X 17 for number plate		X	
20	955 512 679 00	guide wedge		2		-	955 512 188 00	water drain valve		2	
21	N 910 505 01	screw M 6 X 28		4				- - - E N D - - -			
22	N 909 182 01	blind rivet nut M 6		4							

Model	Year	MG	SG	Illustration	Restrictions	Update	18:51	16.08.2006	PORSCHE	PET	PORSCHE
9pa	06	8	04	804-00		203					

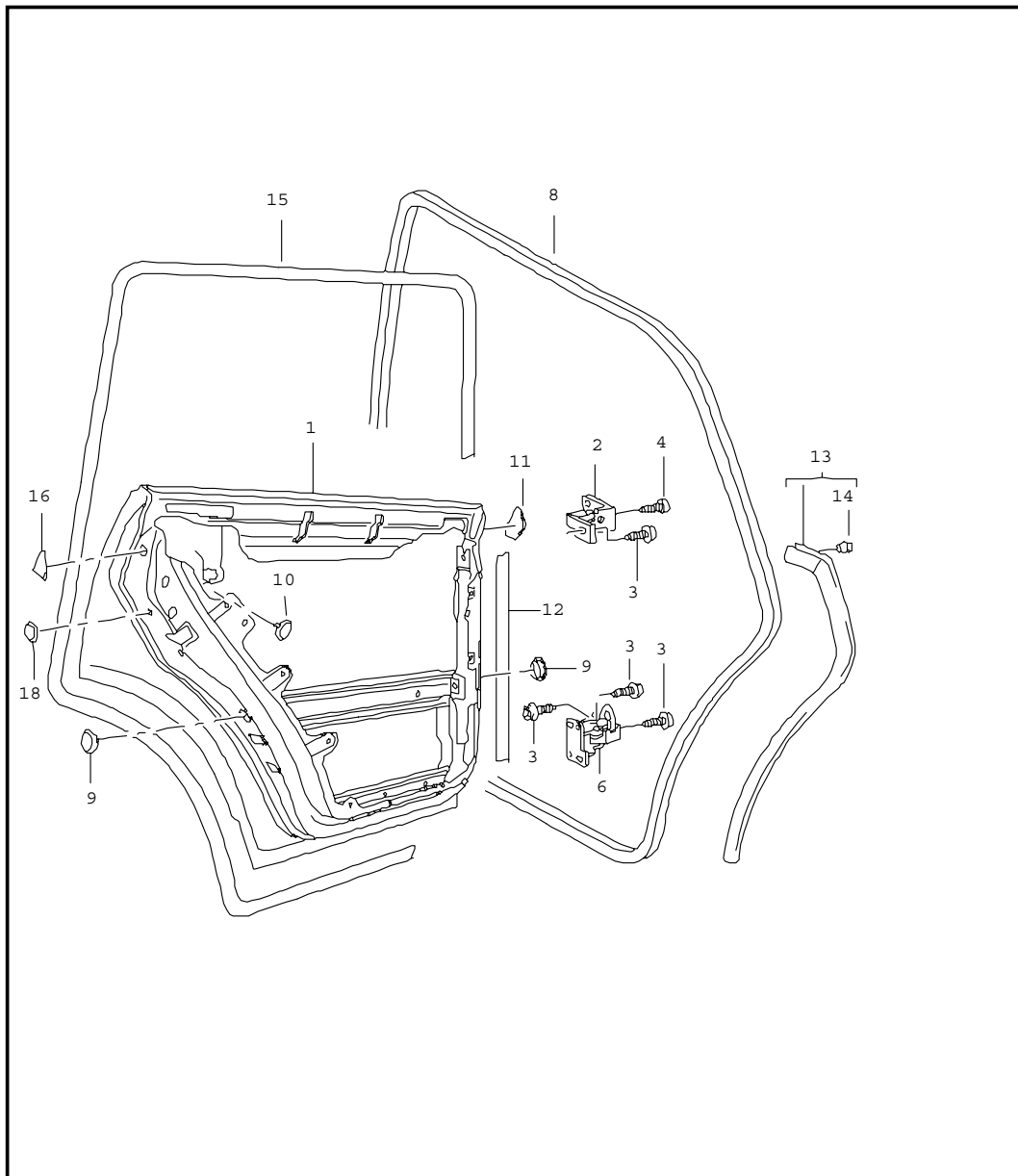


Pos	Part Number	Name	Remarks	Qty	Model
		bare door shell front gaskets			
(1)	955 531 011 01	bare door shell	/L	1	
	GRV	prime coated			
1	955 531 012 01	bare door shell	/R	1	
	GRV	prime coated			
(2)	955 531 401 00	hinge upper	/L	1	
2	955 531 402 00	hinge upper	/R	1	
3	N 908 232 01	pan-head screw M 8 X 28		12	
4	N 907 870 01	pan-head screw M 8 X 22		2	
		13 X 14			
5	955 531 483 00	washer hinge lower repair work see technical manual	/L/R	X	
(6)	955 531 411 00	hinge lower	/L	1	
6	955 531 412 00	hinge lower	/R	1	
-	000 043 206 35	grease door arrester		X	
7	955 531 111 00	plug 16/12		2	
8	955 531 112 00	plug 16		2	
9	955 531 311 00	rubber stop		2	
(10)	955 537 717 00	door seal front	/L	1	
10	955 537 718 00	door seal front	/R	1	
(11)	955 531 915 00	cover	/L	1	
	B41	satin black			

Model	Year	MG	SG	Illustration	Restrictions	Update	18:51	16.08.2006	PORSCHE	PET	PORSCHE
9pa	06	8	04	804-00		203					

Pos	Part Number	Name	Remarks	Qty	Model	Pos	Part Number	Name	Remarks	Qty	Model
11	955 531 916 00	cover	/R	1							
	B41	satin black									
12	955 537 911 00	door seal outer		2							
(13)	955 531 865 00	cover	/L	1							
	01C	black									
13	955 531 866 00	cover	/R	1							
	01C	black									
14	955 531 935 00	cap 30		4							
15	955 537 365 00	door seal inner		2							
		- - - E N D - - -									

Model	Year	MG	SG	Illustration	Restrictions	Update	18:51	16.08.2006	PORSCHE	PET	PORSCHE
9pa	06	8	04	804-05		203					

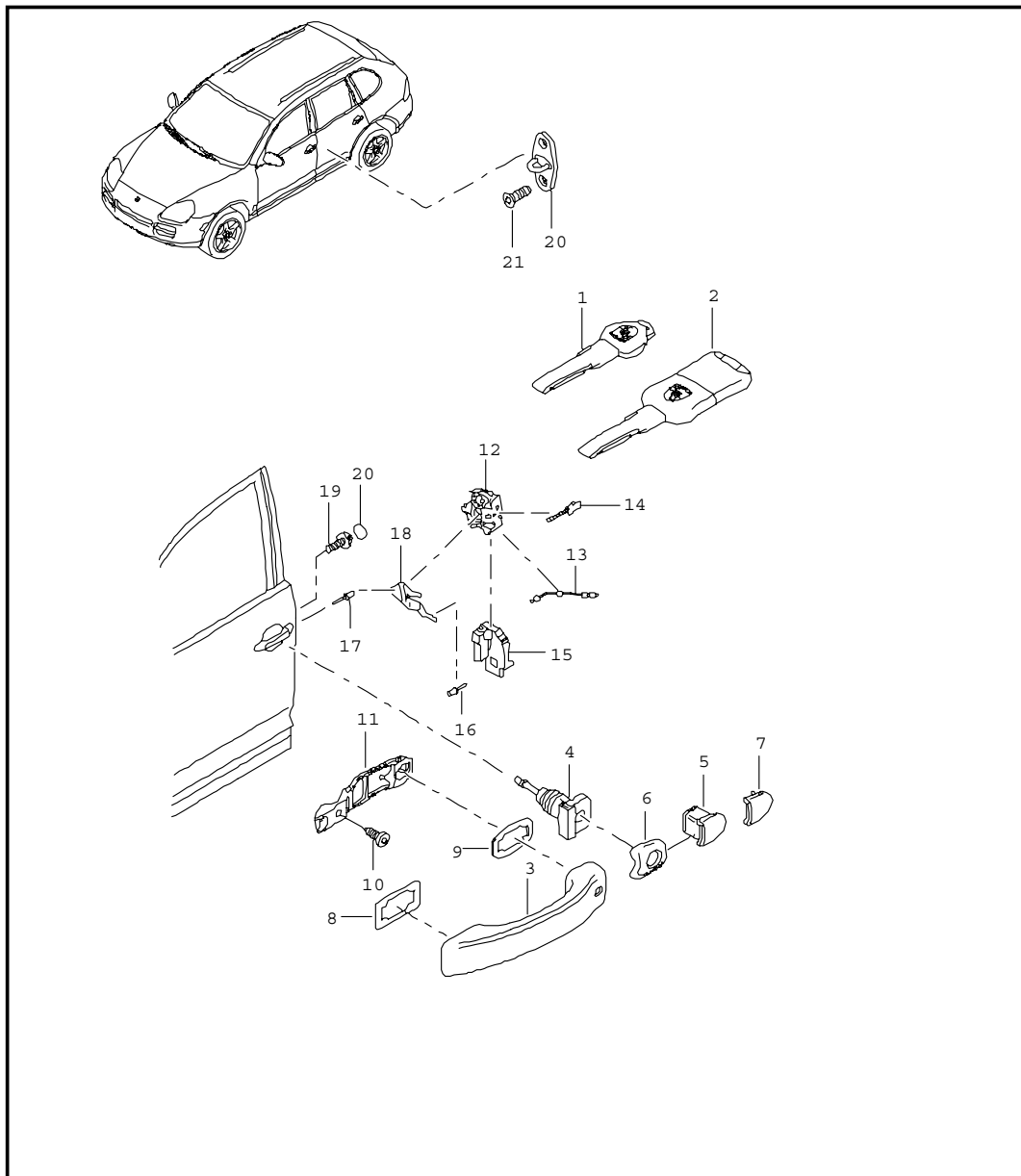


Pos	Part Number	Name	Remarks	Qty	Model
		door in white rear gaskets			
(1)	955 533 011 03	door in white GRV prime coated	/L	1	
1	955 533 012 03	door in white GRV prime coated	/R	1	
(2)	955 533 401 00	hinge upper	/L	1	
2	955 533 402 00	hinge upper	/R	1	
3	N 908 232 01	pan-head screw M 8 X 28		10	
4	N 907 870 01	pan-head screw M 8 X 22		4	
5	N 904 030 03	cap 13 X 14		2	
(6)	955 533 411 00	hinge lower	/L	1	
6	955 533 412 00	hinge lower	/R	1	
-	000 043 206 35	grease door arrester		X	
8	955 539 367 00	door seal outer		2	
9	955 531 935 00	cap 30		4	
10	955 531 112 00	plug 16		2	
(11)	955 531 349 00	cover	/L	1	
11	955 531 350 00	cover	/R	1	
(12)	955 533 717 00	door seal front	/L	1	
12	955 533 718 00	door seal front	/R	1	
(13) A	955 533 761 00	door seal	/L	1	

Model	Year	MG	SG	Illustration	Restrictions	Update	18:51	16.08.2006	PORSCHE	PET	PORSCHE
9pa	06	8	04	804-05		203					

Pos	Part Number	Name	Remarks	Qty	Model	Pos	Part Number	Name	Remarks	Qty	Model
(13)	955 533 761 01	door seal outer rear	/L	1							
13	A 955 533 762 00	door seal	/R	1							
13	955 533 762 01	door seal outer rear	/R	1							
14	955 533 723 00	clip		2							
15	955 533 911 00	door seal outer		2							
(16)	955 533 915 00	cover	/L	1							
16	955 533 916 00	cover	/R	1							
18	955 531 111 00	plug 16/12		2							
- - - E N D - - -											

Model	Year	MG	SG	Illustration	Restrictions	Update	18:52	16.08.2006	PORSCHE	PET	PORSCHE
9pa	06	8	04	804-10		203					

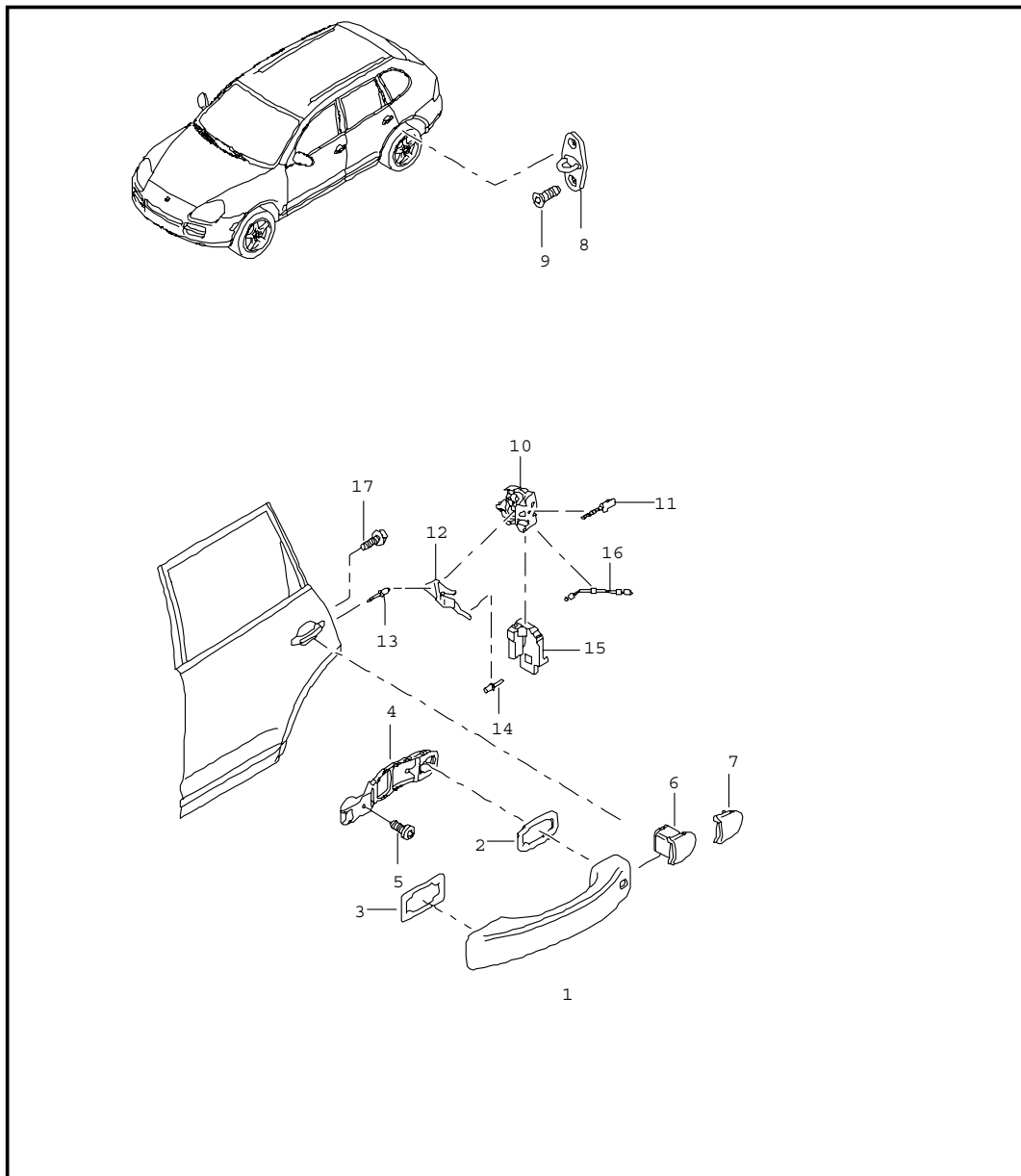


Pos	Part Number	Name	Remarks	Qty	Model
1	955 538 916 00	door handle door lock front emergency key state lock number information available		1	
2	---	remote control see group 9/01/04		1	
3	955 531 030 00	door handle G2X prime coated satin aluminium		X	I4F2/4F6
(3)	955 531 030 01	door handle G2X prime coated black	05-	X	I4F2/4F6/QJ4
(3)	955 531 032 00	door handle G2X prime coated satin aluminium		X	I4K0/4K3
(3)	955 531 032 01	door handle G2X prime coated black	05-	X	I4K0/4K3/QJ4
-	000 043 206 17	grease 10 GRAMM 1 tube door handle lock cylinder		X	
4	955 531 034 00	lock cylinder driver's door state lock number	/LL	1	
(4)	955 531 035 00	lock cylinder driver's door state lock number	/RL	1	
5	955 531 036 00	housing satin aluminium		1	
(5)	955 531 036 01	housing black	05-	1	
6	955 531 037 00	cap 4W9 satin aluminium		1	

Model	Year	MG	SG	Illustration	Restrictions	Update	18:52	16.08.2006	PORSCHE	PET	PORSCHE
9pa	06	8	04	804-10		203					

Pos	Part Number	Name	Remarks	Qty	Model	Pos	Part Number	Name	Remarks	Qty	Model
	VV1	black housing driver's door	05-			13	955 531 024 00	bowden cable		1	
7	955 531 038 00	cap		1		14	955 531 069 00	clip		1	
	4W9	satin aluminium				(14)	955 531 070 00	clip		1	
	VV1	black housing passenger's door	05-			15	955 531 089 00	cover	/L	1	
8	955 531 039 00	desk pad door handle front		1		(15)	955 531 090 00	cover door lock	/R	1	
9	955 531 040 00	desk pad door handle rear		1		16	N 908 258 01	blind rivet A4 X 13		1	
10	N 908 976 02	oval-head screw for supporting bow		1		17	N 907 657 01	blind rivet A4,8 X 15		1	
11	955 531 041 00	supporting bow	/RL/L	1		18	955 533 867 00	retaining bracket	/L	1	
(11)	955 531 042 00	supporting bow door handle	/LL/R	1		(18)	955 533 868 00	retaining bracket for door lock	/R	1	
(11)	955 531 043 00	supporting bow	/LL/L	1		19	N 908 005 01	oval-head screw for door lock		2	
(11)	955 531 044 00	supporting bow door handle	/RL/R	1		20	3B0 837 033 P	door lock striker		1	
12	955 531 015 00	door lock	/LL/L	1	I4K3	21	N 908 047 02	countersunk-head screw M8 X 22		2	
(12)	955 531 016 00	door lock	/LL/R	1	I4K3	22	955 531 935 00	cap		2	
(12)	955 531 015 01	door lock	/LL/L	1	I4K0			- - - E N D - - -			
(12)	955 531 016 01	door lock	/LL/R	1	I4K0						
(12)	955 531 015 02	door lock	/LL/L	1	I4F2						
(12)	955 531 016 02	door lock	/LL/R	1	I4F2						
(12)	955 531 015 03	door lock		1	I4F6						
(12)	955 531 016 03	door lock	/LL/R	1	I4F6						
(12)	955 531 015 04	door lock	/RL/L	1	I4K3						
(12)	955 531 016 04	door lock	/RL/R	1	I4K3						
(12)	955 531 015 05	door lock	/RL/L	1	I4F2						
(12)	955 531 016 05	door lock	/RL/R	1	I4F2						

Model	Year	MG	SG	Illustration	Restrictions	Update	18:52	16.08.2006	PORSCHE	PET	PORSCHE
9pa	06	8	04	804-20		203					

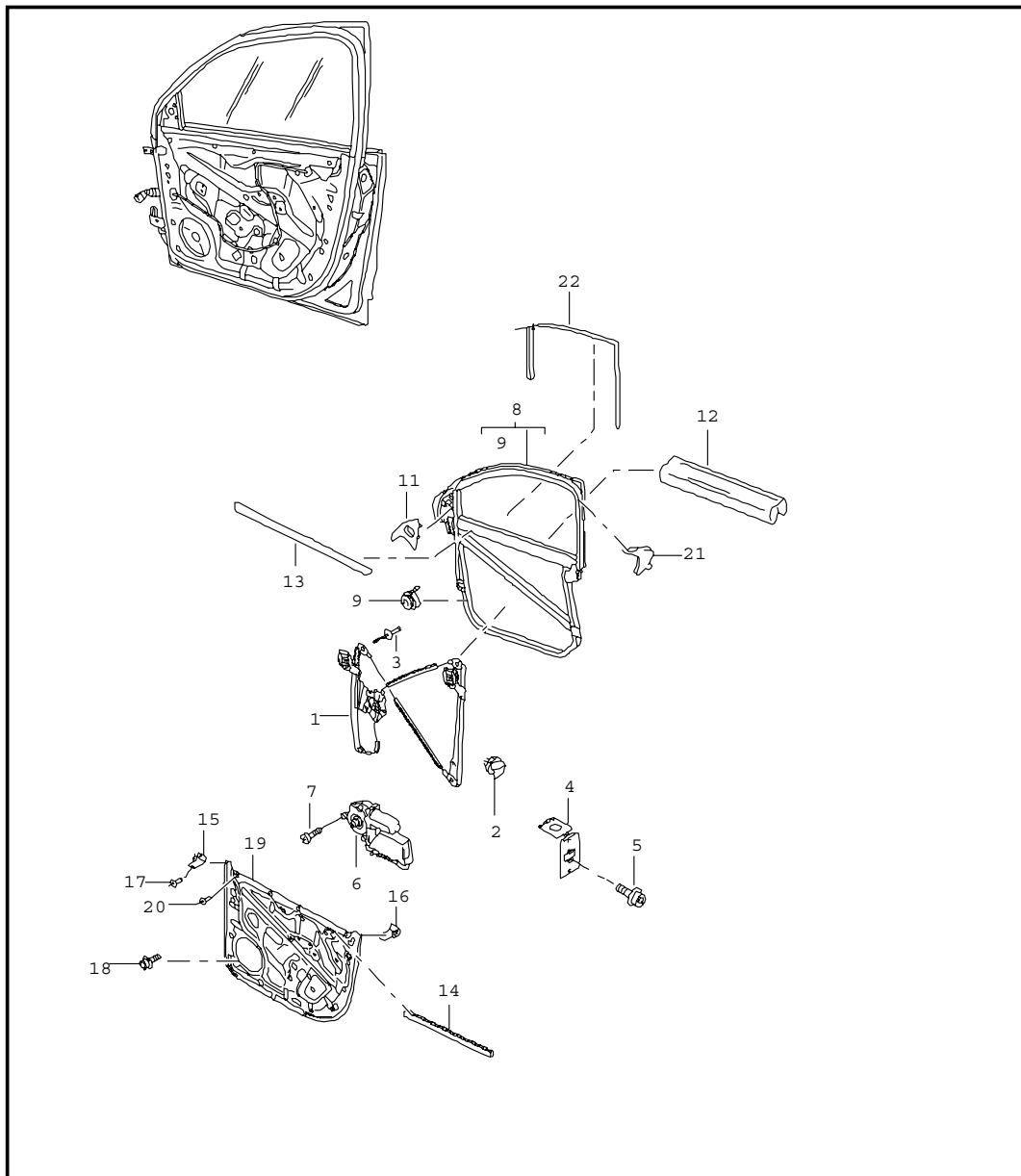


Pos	Part Number	Name	Remarks	Qty	Model
1	955 532 010 00	door handle door lock rear		X	I4F2/4F6
	G2X	prime coated satin aluminium			
(1)	955 532 010 01	door handle	05-	X	I4F2/4F6/QJ4
	G2X	prime coated black			
(1)	955 531 032 00	door handle		X	I4K0/4K3
	G2X	prime coated satin aluminium			
(1)	955 531 032 01	door handle	05-	X	I4K0/4K3/QJ4
	G2X	prime coated black			
-	000 043 206 17	grease 10 GRAMM 1 tube door handle lock cylinder		X	
2	955 531 040 00	desk pad rear		1	
3	955 531 039 00	desk pad front		1	
4	955 532 885 00	supporting bow	/L	1	
(4)	955 532 886 00	supporting bow door handle	/R	1	
5	N 908 976 02	oval-head screw for supporting bow		1	
6	955 531 036 00	housing satin aluminium		1	
(6)	955 531 036 01	housing black	05-	1	
7	955 531 038 00	cap		1	
	4W9	satin aluminium			
	VV1	black	05-		
8	3B0 837 033 P	door lock striker		1	

Model	Year	MG	SG	Illustration	Restrictions	Update	18:52	16.08.2006	PORSCHE	PET	PORSCHE
9pa	06	8	04	804-20		203					

Pos	Part Number	Name	Remarks	Qty	Model	Pos	Part Number	Name	Remarks	Qty	Model
9	N 908 047 02	countersunk-head screw M8 X 22		2							
10	955 532 015 00	door lock	/L	1	I4K3						
(10)	955 532 016 00	door lock	/R	1	I4K3						
(10)	955 532 015 01	door lock	/L	1	I4K0						
(10)	955 532 016 01	door lock	/R	1	I4K0						
(10)	955 532 015 02	door lock	/L	1	I4F2						
(10)	955 532 016 02	door lock	/R	1	I4F2						
(10)	955 532 015 03	door lock	/L	1	I4F6						
(10)	955 532 016 03	door lock	/R	1	I4F6						
11	955 533 059 00	clip	/L	1							
(11)	955 533 060 00	clip	/R	1							
12	955 533 867 00	retaining bracket	/L	1							
(12)	955 533 868 00	retaining bracket	/R	1							
13	N 907 657 01	blind rivet A4 X 15		1							
14	N 908 258 01	blind rivet A4 X 13		1							
15	955 533 089 01	cover	/L	1							
(15)	955 533 090 01	cover door lock	/R	1							
16	955 533 085 00	bowden cable		1							
17	N 908 005 01	oval-head screw door lock		2							
		- - - E N D - - -									

Model	Year	MG	SG	Illustration	Restrictions	Update	18:52	16.08.2006	PORSCHE	PET	PORSCHE
9pa	06	8	04	804-30		203					

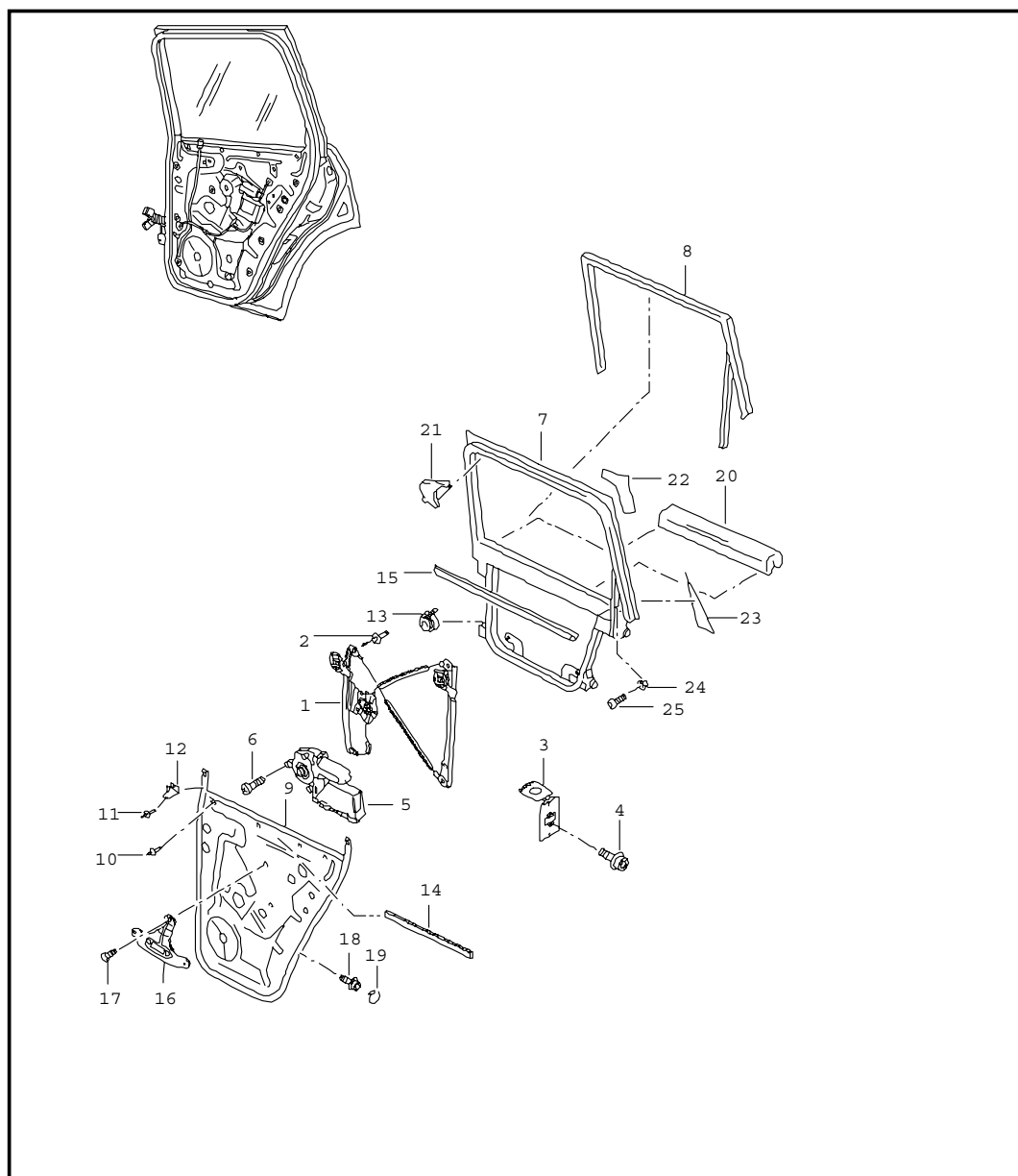


Pos	Part Number	Name	Remarks	Qty	Model
		power windows front			
1	955 542 461 01	power windows	/L	1	
(1)	955 542 462 01	power windows	/R	1	
2	955 542 200 00	clip		2	
3	N 907 764 02	blind rivet A4 X 20		4	
4	955 542 421 00	support for power windows		2	
5	955 533 692 00	screw plastic material M6 X 14		2	
6	955 624 701 02	control unit power windows	/LL/L	1	
(6)	955 624 702 02	control unit power windows	/LL/R	1	
(6)	955 624 702 03	control unit power windows	/RL/L	1	
(6)	955 624 701 03	control unit power windows	/RL/R	1	
7	955 533 691 00	oval-head sheetmetal screw plastic material for window opener engine		3	
8	955 531 353 00	door frame	/L	1	
(8)	955 531 354 00	door frame	/R	1	
9	955 531 346 00	compensating socket for door frame		3	
11	-	trim see group 8/07/10		1	
12	955 531 477 00	sealing for door slot outer	/L	1	
(12)	955 531 478 00	sealing for door slot outer	/R	1	
13	955 531 471 00	sealing for door slot inner	/L	1	

Model	Year	MG	SG	Illustration	Restrictions	Update	18:52	16.08.2006	PORSCHE	PET	PORSCHE
9pa	06	8	04	804-30		203					

Pos	Part Number	Name	Remarks	Qty	Model	Pos	Part Number	Name	Remarks	Qty	Model
(13)	955 531 472 00	sealing for door slot inner	/R	1							
14	955 531 735 00	plastic foam strip		1							
15	955 531 901 00	cover a-pillar	/L	1							
(15)	955 531 902 00	cover a-pillar	/R	1							
16	955 533 801 00	cover b-pillar	/L	1							
(16)	955 533 802 00	cover b-pillar	/R	1							
17	N 909 311 02	blind rivet A3,2 X 8		2							
18	955 531 643 00	pan-head screw M8 X 42,5		4							
19	955 531 729 00	bracket	/L	1	I4K3						
(19)	955 531 730 00	bracket	/R	1	I4K3						
(19)	955 531 729 01	bracket	/L	1	I4F2/4F6						
(19)	955 531 730 01	bracket	/R	1	I4F2/4F6						
20	N 910 177 01	blind rivet A4,8 X 7		4							
-	N 910 113 01	screw for bracket		X							
21	955 531 457 00	cover	/L -03	1							
21	955 531 457 01	cover window guide	/L 04-	1							
(21)	955 531 458 00	cover	/R -03	1							
(21)	955 531 458 01	cover window guide	/R 04-	1							
22	955 531 431 02	window guide	/L	1	IQL3/QL5						
(22)	955 531 432 02	window guide	/R	1	IQL3/QL5						
(22)	955 531 431 01	window guide	/L	1	IQL6						
(22)	955 531 432 01	window guide	/R	1	IQL6						
		- - - E N D - - -									

Model	Year	MG	SG	Illustration	Restrictions	Update	18:52	16.08.2006	PORSCHE	PET	PORSCHE
9pa	06	8	04	804-40		203					

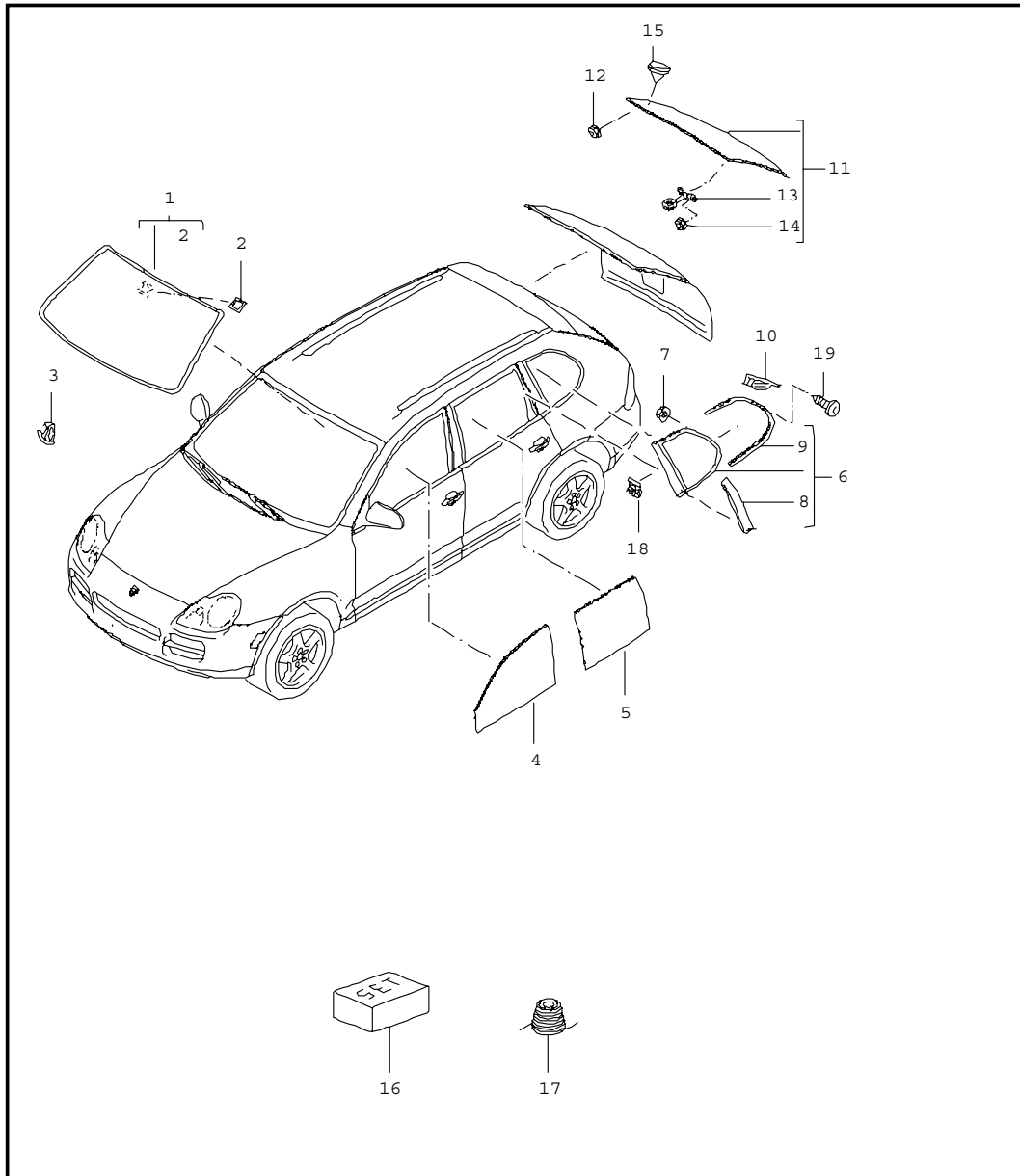


Pos	Part Number	Name	Remarks	Qty	Model
		power windows rear			
1	A 955 533 461 00	power windows	/L	1	
1	955 533 461 01	power windows	/L	1	
(1)	955 533 462 00	power windows	/R	1	
2	N 907 764 02	blind rivet A4,8 X 20		4	
3	955 542 421 00	support for window opener		1	
4	955 533 692 00	screw plastic material M6 X 14		2	
5	955 624 703 00	control unit power windows	/L	1	
(5)	955 624 704 00	control unit power windows	/R	1	
6	955 533 691 00	screw plastic material		3	
7	955 533 353 00	door frame	/L	1	
(7)	955 533 354 00	door frame	/R	1	
(7)	955 533 353 01	door frame	/L	1	I3Y3
(7)	955 533 354 01	door frame	/R	1	I3Y3
8	955 533 431 00	window guide	/L	1	
(8)	955 533 432 00	window guide	/R	1	
(8)	955 533 431 01	window guide	/L	1	IQL6
(8)	955 533 432 01	window guide	/R	1	IQL6
(9)	955 533 729 00	bracket	/L	1	
(9)	955 533 730 00	bracket	/R	1	
10	N 910 177 01	blind rivet A4,8 X 7		2	
11	N 909 311 02	blind rivet A3,2 X 8		2	
12	955 533 801 00	cover	/L	1	
(12)	955 533 802 00	cover	/R	1	

Model	Year	MG	SG	Illustration	Restrictions	Update	18:52	16.08.2006	PORSCHE	PET	PORSCHE
9pa	06	8	04	804-40		203					

Pos	Part Number	Name	Remarks	Qty	Model	Pos	Part Number	Name	Remarks	Qty	Model
13	955 531 346 00	compensating socket for bracket		3			XX2	black mat			
14	955 531 735 00	plastic foam strip		1		24	955 533 837 00	grommet for mount cover		1	
15	955 533 471 00	sealing rubber	/L	1		25	N 910 017 01	screw M5 X 14		1	
(15)	955 533 472 00	sealing rubber inner	/R	1		-	955 533 209 00	foam part for cover	-05	2	
16	955 533 361 00	retaining bow		1		-	955 533 739 00	foam part	/L	1	
17	N 902 452 04	hexagon-head bolt M6 X 10		3		-	955 533 740 00	foam part	/R	1	
18	955 531 643 00	pan-head screw M8 X 42,5		4							
19	955 531 935 00	cap		2							
20	955 533 477 00	sealing	/L	1							
(20)	955 533 478 00	sealing door channel outer	/R	1							
21	955 533 151 00	cover	/L	1							
	B41	satin black b-pillar									
(21)	955 533 152 00	cover	/R	1							
	B41	satin black b-pillar									
22	955 533 527 00	cover	/L	1							
	B41	satin black c-pillar									
(22)	955 533 528 00	cover	/R	1							
	B41	satin black c-pillar									
23	955 533 267 01	cover	/L -04	1							
(23)	955 533 268 01	cover outer	/R -04	1							
23	955 533 267 03	cover	/L 05-	1							
	XX2	black mat									
(23)	955 533 268 03	cover	/R 05-	1							

Model	Year	MG	SG	Illustration	Restrictions	Update	18:52	16.08.2006	PORSCHE	PET	PORSCHE
9pa	06	8	05	805-00		203					



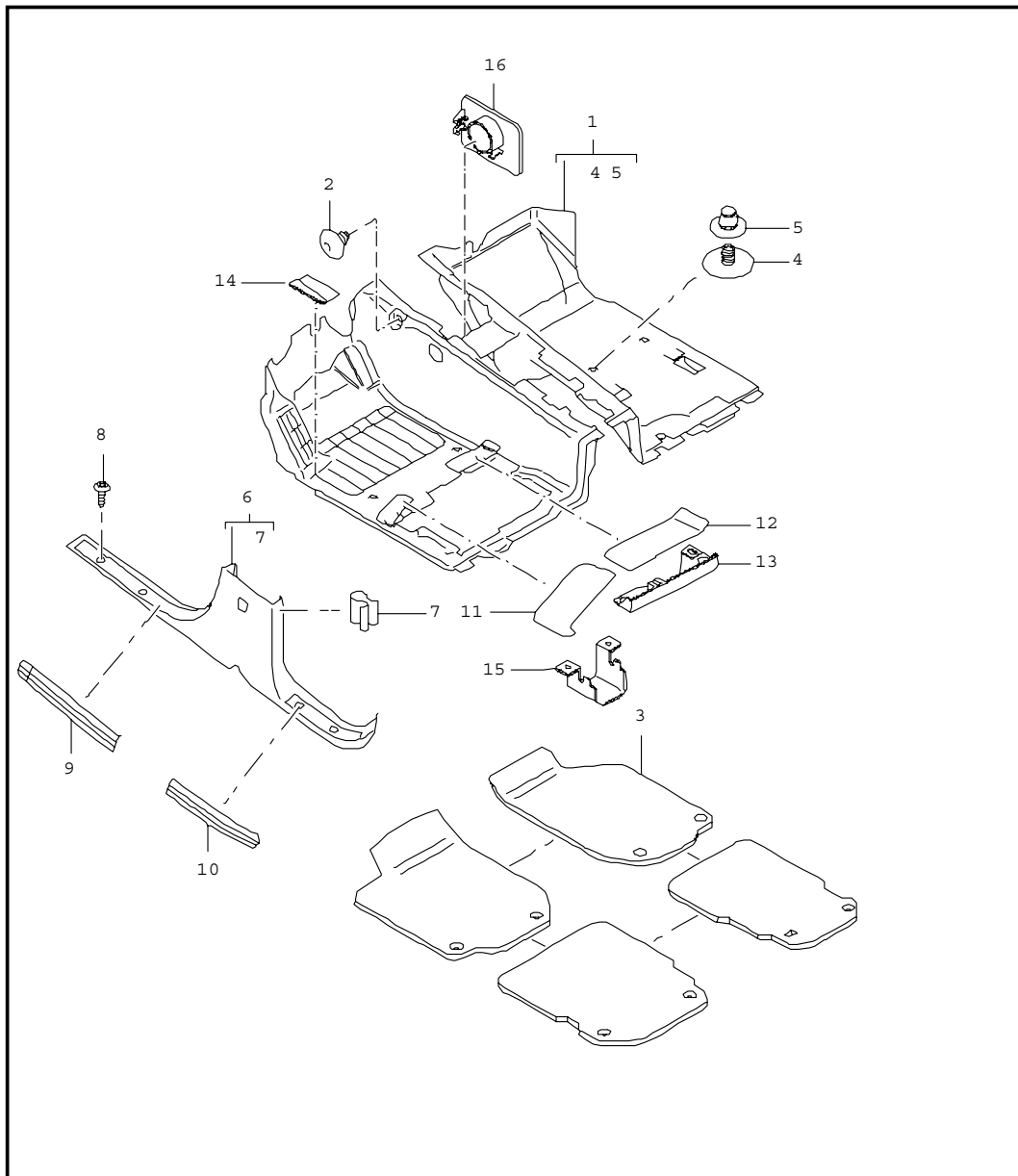
Pos	Part Number	Name	Remarks	Qty	Model
		windows			
1	955 541 111 03	windscreen		1	I4GF
(1)	955 541 111 04	windscreen		1	I4GY
2	955 541 520 00	adhesive plate for rain sensor		1	
3	955 541 530 00	spacer for windscreen		1	
4	955 542 511 04	door glass	/L	1	IQL3
4	955 542 511 04	door glass front	/L	1	IQL5
(4)	955 542 512 04	door glass	/R	1	IQL3
(4)	955 542 512 04	door glass front	/R	1	IQL5
(4)	955 542 511 03	door glass front	/L	1	IQL6
(4)	955 542 512 03	door glass front	/R	1	IQL6
5	955 542 611 03	door glass rear	/L	1	IQL3
(5)	955 542 612 03	door glass rear	/R	1	IQL3
(5)	955 542 611 04	door glass rear	/L	1	IQL5
(5)	955 542 612 04	door glass rear	/R	1	IQL5
(5)	955 542 611 05	door glass rear	/L	1	IQL6
(5)	955 542 612 05	door glass rear	/R	1	IQL6
6	955 543 111 07	side window glass	/L/H	1	IQL3/QJ2/QV0
(6)	955 543 112 07	side window glass	/R/H	1	IQL3/QJ2/QV0
(6)	955 543 111 09	side window glass	/L/H 05-	1	IQL3/QJ2/QV1
(6)	955 543 112 09	side window glass	/R/H 05-	1	IQL3/QJ2/QV1
(6)	955 543 111 10	side window glass	/L/H 05-	1	IQL3/QJ4/QV1

Model	Year	MG	SG	Illustration	Restrictions	Update	18:52	16.08.2006	PORSCHE	PET	PORSCHE
9pa	06	8	05	805-00		203					

Pos	Part Number	Name	Remarks	Qty	Model	Pos	Part Number	Name	Remarks	Qty	Model
(6)	955 543 112 10	side window glass	/R/H 05-	1	IQL3/QJ4/QV1	(9)	955 559 196 00	moulding	/R	1	
(6)	955 543 111 11	side window glass	/L/H 05-	1	IQL3/QJ4/QV0		4W9	satin aluminium			
(6)	955 543 112 11	side window glass	/R/H 05-	1	IQL3/QJ4/QV0		XX2	black mat	05-		
(6)	955 543 111 08	side window glass	/L/H	1	IQL5/QJ2/QV0	10	955 543 519 00	clip	/L	1	
(6)	955 543 112 08	side window glass	/R/H	1	IQL5/QJ2/QV0	(10)	955 543 520 00	clip	/R	1	
(6)	955 543 111 12	side window glass	/L/H 05-	1	IQL5/QJ4/QV0	11	955 545 011 00	rear window		1	IQL3/8ZM
(6)	955 543 112 12	side window glass	/R/H 05-	1	IQL5/QJ4/QV0	(11)	955 545 011 01	rear window		1	IQL5/8ZM
(6)	955 543 111 13	side window glass	/L/H 05-	1	IQL5/QJ2/QV1	(11)	955 545 011 02	rear window		1	IQL6/8ZM
(6)	955 543 112 13	side window glass	/R/H 05-	1	IQL5/QJ2/QV1	(11)	955 545 011 03	rear window		1	IQL3/8L6
(6)	955 543 111 14	side window glass	/L/H 05-	1	IQL5/QJ4/QV1	(11)	955 545 011 04	rear window		1	IQL5/8L6
(6)	955 543 112 14	side window glass	/R/H 05-	1	IQL5/QJ4/QV1	(11)	955 545 011 05	rear window		1	IQL6/8L6
(6)	955 543 111 06	side window glass	/L/H	1	IQL6/QJ2/QV0	12	N 903 484 03	hexagon nut M 8		4	
(6)	955 543 112 06	side window glass	/R/H	1	IQL6/QJ2/QV0			hinge rear window			
(6)	955 543 111 15	side window glass	/L/H 05-	1	IQL6/QJ4/QV0	13	955 545 532 00	lock lower part		1	
(6)	955 543 112 15	side window glass	/R/H 05-	1	IQL6/QJ4/QV0	14	N 902 158 02	hexagon flat nut lock lower part		2	
(6)	955 543 111 16	side window glass	/L/H 05-	1	IQL6/QJ2/QV1	15	955 545 540 00	grommet		2	
(6)	955 543 111 17	side window glass	/L/H 05-	1	IQL6/QJ4/QV1	16	000 043 300 94	adhesive set TEROSTAT 8593		1	
(6)	955 543 112 17	side window glass	/R/H 05-	1	IQL6/QJ4/QV1	17	000 043 300 96	cord		X	
7	N 908 802 01	hexagon nut		14		18	955 543 573 00	clip lining c-pillar		X	
8	955 543 381 00	c-pillar	/L	1		19	900 143 065 07	tapping screw 2,9 X 9,5		7	
	4W9	satin aluminium									
	XX2	black mat	05-								
(8)	955 543 382 00	c-pillar	/R	1		-	000 043 205 37	mixing tube supplement set		X	
	4W9	satin aluminium									
	XX2	black mat	05-								
9	955 559 195 00	moulding	/L	1							
	4W9	satin aluminium									
	XX2	black mat	05-								

- - - E N D - - -

Model	Year	MG	SG	Illustration	Restrictions	Update	18:53	16.08.2006	PORSCHE	PET	PORSCHE
9pa	06	8	07	807-00		203					



Pos	Part Number	Name	Remarks	Qty	Model
1	955 551 021 05	carpet front accessories carpet front tufting velour 7H1 black 7J2 steel grey 7K3 sand beige 7L4 palmgreen	/LL	1	I3ME/9AB/9AD
(1)	955 551 023 05	carpet front tufting velour 7H1 black 7J2 steel grey 7K3 sand beige 7L4 palmgreen	/LL	1	I3ME/9AH
(1)	955 551 025 05	carpet front tufting velour 7H1 black 7J2 steel grey 7K3 sand beige 7L4 palmgreen	/RL	1	I3ME/9AB/9AD
(1)	955 551 027 05	carpet front tufting velour 7H1 black 7J2 steel grey 7K3 sand beige 7L4 palmgreen	/RL	1	I3ME/9AH
1	955 551 029 02	carpet front perlon velour 8B2 black	/LL -04	1	I3MT/9AB/9AD

Model	Year	MG	SG	Illustration	Restrictions	Update	18:53	16.08.2006	PORSCHE	PET	PORSCHE
9pa	06	8	07	807-00		203					

Pos	Part Number	Name	Remarks	Qty	Model	Pos	Part Number	Name	Remarks	Qty	Model
		8C3 steel grey				3	---	floor mats set see group TEG2/8/07/00		1	
		8D4 sand beige									
		8E5 palmgreen									
1	955 551 029 05	carpet front perlon velour	/LL 05-	1	I3MT/9AB/9AD	4	955 551 227 00	support carpet	-03	4	
		8B2 black					B41	satin black			
		8C3 steel grey				4	955 551 227 01	support carpet	04-	4	
		8D4 sand beige					B41	satin black			
		8E5 palmgreen				5	955 551 229 00	cap	-03	4	
1	955 551 031 05	carpet front perlon velour	/LL	1	I3MT/9AH		01C	satin black			
		8B2 black					6C6	sand beige			
		8C3 steel grey					6H8	palmgreen			
		8D4 sand beige				5	955 551 229 01	cap	04-	4	
		8E5 palmgreen					01C	satin black			
(1)	955 551 030 05	carpet front perlon velour	/RL	1	I3MT/9AB/9AD		6C6	sand beige			
		8B2 black					6H8	palmgreen			
		8C3 steel grey					7A8	steel grey			
		8D4 sand beige				6	955 551 379 01	scuff plate inner	/L	1	
		8E5 palmgreen					01C	satin black			
(1)	955 551 032 05	carpet front perlon velour	/RL	1	I3MT/9AH		7A8	steel grey			
		8B2 black					6C6	sand beige			
		8C3 steel grey					6H8	palmgreen			
		8D4 sand beige				(6)	955 551 380 01	scuff plate inner	/R	1	
		8E5 palmgreen					01C	satin black			
2	N 906 246 01	push button		2			7A8	steel grey			
							6C6	sand beige			
							6H8	palmgreen			
						7	955 551 276 00	clip		7	

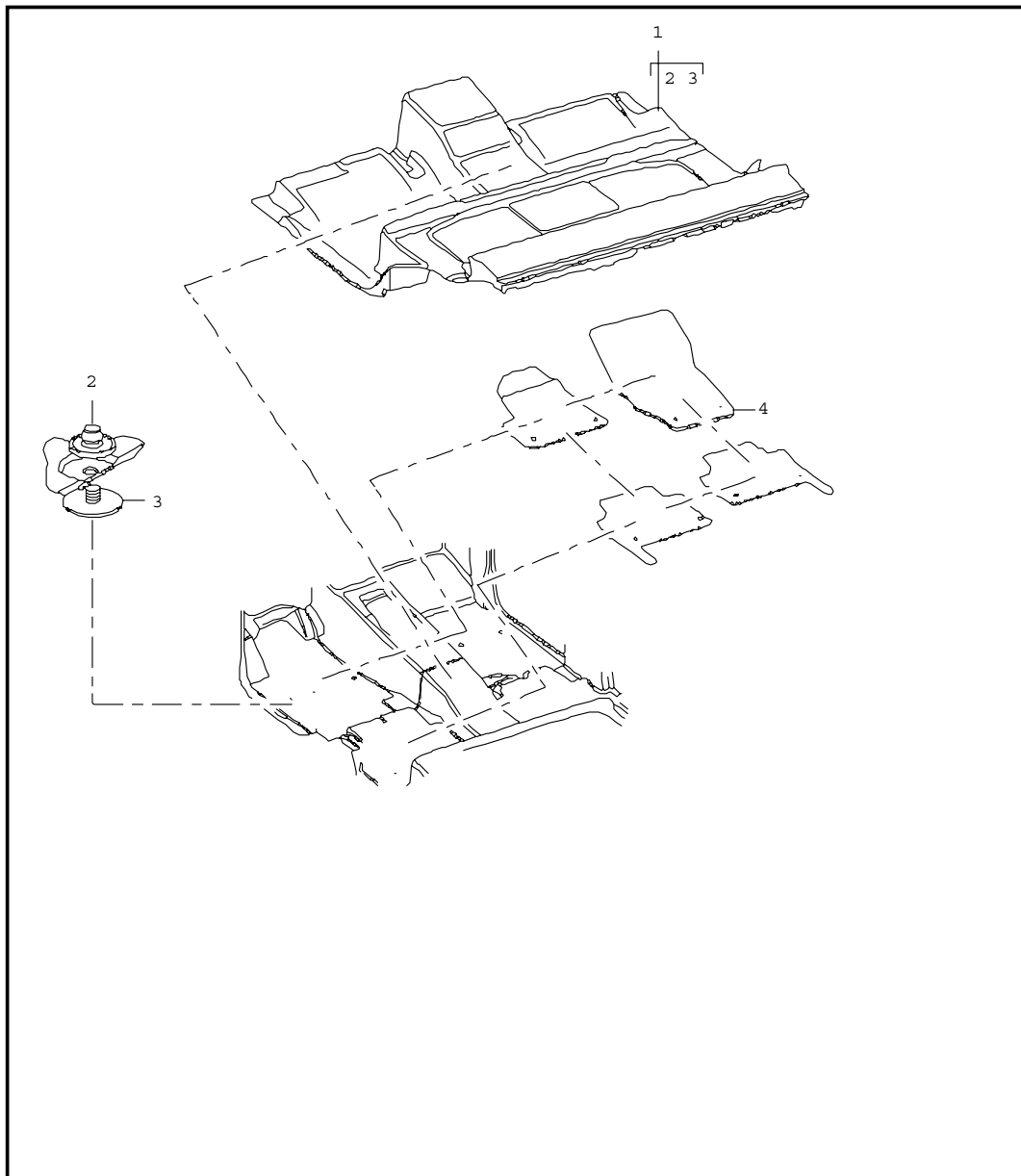
Model	Year	MG	SG	Illustration	Restrictions	Update	18:53	16.08.2006	PORSCHE	PET	PORSCHE
9pa	06	8	07	807-00		203					

Pos	Part Number	Name	Remarks	Qty	Model	Pos	Part Number	Name	Remarks	Qty	Model
8	N 104 472 01	lens-head screw mount scuff plate		4			6C6	sand beige			
9	955 551 655 00	cover scuff plate front	/L	1	I7M0		6H8	palmgreen			
	01C	satin black				(10)	955 551 660 00	cover scuff plate rear	/R	1	I7M0
	6C6	sand beige					01C	satin black			
	6H8	palmgreen					6C6	sand beige			
	7A8	steel grey					6H8	palmgreen			
(9)	955 551 656 00	cover scuff plate front	/R	1	I7M0		7A8	steel grey			
	01C	satin black				10	955 551 661 01	cover scuff plate rear	/L	1	I7M1
	6C6	sand beige					4P7	stainless steel			
	6H8	palmgreen				(10)	955 551 662 01	cover scuff plate rear	/R	1	I7M1
	7A8	steel grey					4P7	stainless steel			
9	955 551 657 01	cover scuff plate front	/L	1	I7M1		11	955 551 357 00	cover carpet front		1
	4P7	stainless steel					01C	satin black			
(9)	955 551 658 01	cover scuff plate front	/R	1	I7M1		6C6	sand beige			
	4P7	stainless steel					6H8	palmgreen			
(9)	955 551 663 01	cover scuff plate front	/L 06-	1	IE8A/7M1		7A8	steel grey			
	4P7	stainless steel				12	955 551 298 00	cover carpet front		1	
(9)	955 551 664 01	cover scuff plate front	/R 06-	1	IE8A/7M1		01C	satin black			
	4P7	stainless steel					6C6	sand beige			
10	955 551 659 00	cover scuff plate rear	/L	1	I7M0		6H8	palmgreen			
	01C	satin black				--	955 555 279 00	fixing clip cover carpet		2	

Model	Year	MG	SG	Illustration	Restrictions	Update	18:53	16.08.2006	PORSCHE	PET	PORSCHE
9pa	06	8	07	807-00		203					

Pos	Part Number	Name	Remarks	Qty	Model	Pos	Part Number	Name	Remarks	Qty	Model
13	955 551 456 00	rail for cover		1							
14	955 551 040 00	appendix carpet tufting velour	/RL/L	1							
	7H1	black									
	7J2	steel grey									
	7L4	palmgreen									
	7K3	sand beige									
(14)	955 551 041 00	appendix carpet pearl velour	/RL	1							
	8B2	black									
	8C3	steel grey									
	8E5	palmgreen									
	8D4	sand beige									
15	955 551 499 00	fastening part cover carpet		1							
16	955 551 285 00	frame for adjusting screw retaining frame	/L	1							
(16)	955 551 286 00	frame for adjusting screw retaining frame	/R	1							
		- - - E N D - - -									

Model	Year	MG	SG	Illustration	Restrictions	Update	18:53	16.08.2006	PORSCHE	PET	PORSCHE
9pa	06	8	07	807-05		203					

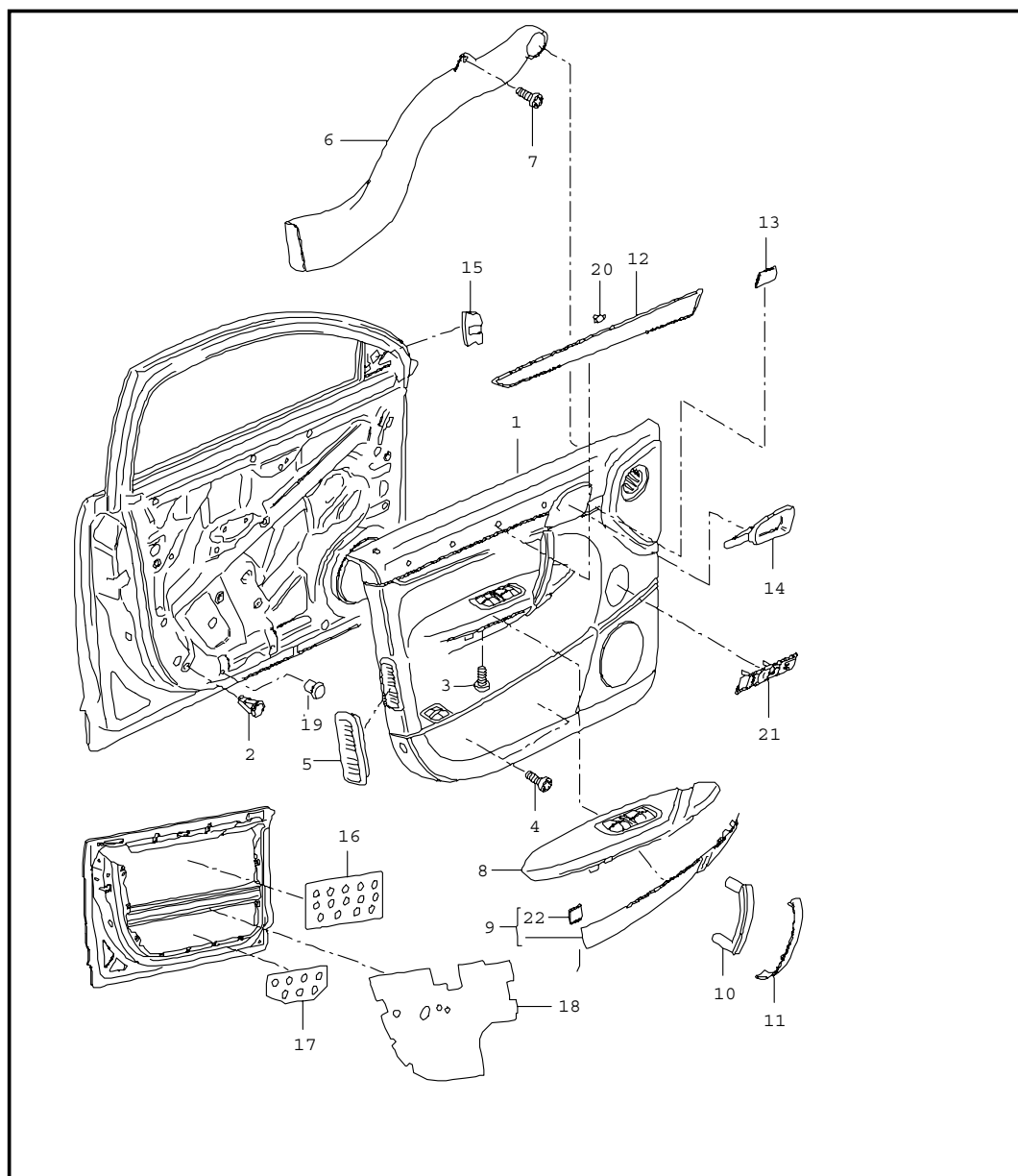


Pos	Part Number	Name	Remarks	Qty	Model
1	955 551 175 00	carpet rear accessories carpet rear tufting velour 7H1 black 7J2 steel grey 7K3 sand beige 7L4 palmgreen		1	I3ME/9AB/9AD
(1)	955 551 176 00	carpet rear tufting velour 7H1 black 7J2 steel grey 7K3 sand beige 7L4 palmgreen		1	I3ME/9AH
(1)	955 551 171 02	carpet carpet rear pearl velour 8B2 black 8C3 steel grey 8D4 sand beige 8E5 palmgreen	-04	1	I3MT/3W4/3W7 I9AB/9AD
(1)	955 551 171 03	carpet carpet rear pearl velour 8B2 black 8C3 steel grey 8D4 sand beige 8E5 palmgreen	05-	1	I3MT/9AB/9AD

Model	Year	MG	SG	Illustration	Restrictions	Update	18:53	16.08.2006	PORSCHE	PET	PORSCHE
9pa	06	8	07	807-05		203					

Pos	Part Number	Name	Remarks	Qty	Model	Pos	Part Number	Name	Remarks	Qty	Model
(1)	955 551 173 03	carpet carpet rear pearl velour	-04	1	I3W4/3W7/9AH	4	-----	floor mats set see group 94/8/07/00		1	
	8B2	black						- - - E N D - - -			
	8C3	steel grey									
	8D4	sand beige									
	8E5	palmgreen									
(1)	955 551 173 04	carpet carpet rear pearl velour	05-	1	I3MT/9AH						
	8B2	black									
	8C3	steel grey									
	8D4	sand beige									
	8E5	palmgreen									
2	955 551 229 00	cap carpet	-03	4							
	01C	satin black									
	6C6	sand beige									
	6H8	palmgreen									
	7A8	steel grey									
2	955 551 229 01	cap carpet	04-	4							
	01C	satin black									
	6C6	sand beige									
	6H8	palmgreen									
	7A8	steel grey									
3	955 551 227 00	support carpet	-03	4							
	B41	satin black									
(3)	955 551 227 01	support carpet	04-	4							
	B41	satin black									

Model	Year	MG	SG	Illustration	Restrictions	Update	18:53	16.08.2006	PORSCHE	PET	PORSCHE
9pa	06	8	07	807-10		203					



Pos	Part Number	Name	Remarks	Qty	Model
1	955 555 123 03	door trim panel with insulation front		1	I3LD/9AB/9AD
	PBJ	black/black	/LL/L-05		
	PBK	stone grey/steel grey			
	PBL	havanna/sand beige			
	PBM	palm-green/palm-green			
1	955 555 123 04	door trim panel		1	I3LD/9AB/9AD
	PBJ	black/black	/LL/L06-		
	PBK	stone grey/steel grey			
	PBL	havanna/sand beige			
	PBM	palm-green/palm-green			
(1)	955 555 124 03	door trim panel		1	I3LD/9AB/9AD
	PBJ	black/black	/LL/R		
	PBK	stone grey/steel grey			
	PBL	havanna/sand beige			
	PBM	palm-green/palm-green			
1	955 555 125 03	door trim panel		1	I3LD/9AH
	PBJ	black/black	/LL/L-05		
	PBK	stone grey/steel grey			
	PBL	havanna/sand beige			
	PBM	palm-green/palm-green			
1	955 555 125 04	door trim panel		1	I3LD/9AH
	PBJ	black/black	/LL/L06-		
	PBK	stone grey/steel grey			
	PBL	havanna/sand beige			
	PBM	palm-green/palm-green			
(1)	955 555 126 03	door trim panel		1	I3LD/9AH
	PBJ	black/black	/LL/R		

Model	Year	MG	SG	Illustration	Restrictions	Update	18:53	16.08.2006	PORSCHE	PET	PORSCHE
9pa	06	8	07	807-10		203					

Pos	Part Number	Name	Remarks	Qty	Model	Pos	Part Number	Name	Remarks	Qty	Model
		PBK stone grey/steel grey						PBJ black/black			
		PBL havanna/sand beige						PBK stone grey/steel grey			
		PBM palm-green/palm-green						PBL havanna/sand beige			
1	955 555 127 03	door trim panel	/RL/L	1	I3LD/9AB/9AD			PBM palm-green/palm-green			
		PBJ black/black				1	955 555 131 02	door trim panel	/LL/L-05	1	I3LE/9AB/9AD
		PBK stone grey/steel grey						PBN black/black			
		PBL havanna/sand beige						PBP stone grey/steel grey			
		PBM palm-green/palm-green						PBQ havanna/sand beige			
(1)	955 555 128 03	door trim panel	/RL/R-05	1	I3LD/9AB/9AD			PBR palm-green/palm-green			
		PBJ black/black				(1)	955 555 132 02	door trim panel	/LL/R-05	1	I3LE/9AB/9AD
		PBK stone grey/steel grey						PBN black/black			
		PBL havanna/sand beige						PBP stone grey/steel grey			
		PBM palm-green/palm-green						PBQ havanna/sand beige			
(1)	955 555 128 04	door trim panel	/RL/R06-	1	I3LD/9AB/9AD			PBR palm-green/palm-green			
		PBJ black/black				1	955 555 133 02	door trim panel	/LL/L-05	1	I3LE/9AH
		PBK stone grey/steel grey						PBN black/black			
		PBL havanna/sand beige						PBP stone grey/steel grey			
		PBM palm-green/palm-green						PBQ havanna/sand beige			
1	955 555 129 03	door trim panel	/RL/L	1	I3LD/I9AH			PBR palm-green/palm-green			
		PBJ black/black				(1)	955 555 134 02	door trim panel	/LL/R-05	1	I3LE/9AH
		PBK stone grey/steel grey						PBN black/black			
		PBL havanna/sand beige						PBP stone grey/steel grey			
		PBM palm-green/palm-green						PBQ havanna/sand beige			
(1)	955 555 130 03	door trim panel	/RL/R-05	1	I3LD/I9AH			PBR palm-green/palm-green			
		PBJ black/black				1	955 555 135 02	door trim panel	/RL/L-05	1	I3LE/9AB/9AD
		PBK stone grey/steel grey						PBN black/black			
		PBL havanna/sand beige						PBP stone grey/steel grey			
		PBM palm-green/palm-green						PBQ havanna/sand beige			
(1)	955 555 130 04	door trim panel	/RL/R06-	1	I3LD/I9AH			PBR palm-green/palm-green			

Model	Year	MG	SG	Illustration	Restrictions	Update	18:53	16.08.2006	PORSCHE	PET	PORSCHE
9pa	06	8	07	807-10		203					

Pos	Part Number	Name	Remarks	Qty	Model	Pos	Part Number	Name	Remarks	Qty	Model
(1)	955 555 136 02	door trim panel	/RL/R-05	1	I3LE/9AB/9AD		PBT	stone grey/steel grey			
	PBN	black/black					PBU	havanna/sand beige			
	PBP	stone grey/steel grey					PBV	palm-green/palm-green			
	PBQ	havanna/sand beige					RKR	sand beige/sand beige	04-		
	PBR	palm-green/palm-green				1	955 555 115 03	door trim panel	/LL/L-05	1	I3LH/9AH
1	955 555 137 02	door trim panel	/RL/L-05	1	I3LE/9AH		PBS	black/black			
	PBN	black/black					PBT	stone grey/steel grey			
	PBP	stone grey/steel grey					PBU	havanna/sand beige			
	PBQ	havanna/sand beige					PBV	palm-green/palm-green			
	PBR	palm-green/palm-green					RKR	sand beige/sand beige	04-		
(1)	955 555 138 02	door trim panel	/RL/R-05	1	I3LE/9AH	1	955 555 115 04	door trim panel	/LL/L06-	1	I3LH/9AH
	PBN	black/black					PBS	black/black			
	PBP	stone grey/steel grey					PBT	stone grey/steel grey			
	PBQ	havanna/sand beige					PBU	havanna/sand beige			
	PBR	palm-green/palm-green					PBV	palm-green/palm-green			
1	955 555 111 03	door trim panel	/LL/L-05	1	I3LH/9AB/9AD		RKR	sand beige/sand beige	04-		
	PBS	black/black				(1)	955 555 116 03	door trim panel	/LL/R	1	I3LH/9AH
	PBT	stone grey/steel grey					PBS	black/black			
	PBU	havanna/sand beige					PBT	stone grey/steel grey			
	PBV	palm-green/palm-green					PBU	havanna/sand beige			
	RKR	sand beige/sand beige	04-				PBV	palm-green/palm-green			
1	955 555 111 04	door trim panel	/LL/L06-	1	I3LH/9AB/9AD		RKR	sand beige/sand beige	04-		
	PBS	black/black				1	955 555 117 03	door trim panel	/RL/L	1	I3LH/9AB/9AD
	PBT	stone grey/steel grey					PBS	black/black			
	PBU	havanna/sand beige					PBT	stone grey/steel grey			
	PBV	palm-green/palm-green					PBU	havanna/sand beige			
	RKR	sand beige/sand beige	04-				PBV	palm-green/palm-green			
(1)	955 555 112 03	door trim panel	/LL/R	1	I3LH/9AB/9AD		RKR	sand beige/sand beige	04-		
	PBS	black/black				(1)	955 555 118 03	door trim panel	/RL/R-05	1	I3LH/9AB/9AD

Model	Year	MG	SG	Illustration	Restrictions	Update	18:53	16.08.2006	PORSCHE	PET	PORSCHE
9pa	06	8	07	807-10		203					

Pos	Part Number	Name	Remarks	Qty	Model	Pos	Part Number	Name	Remarks	Qty	Model
	PBS	black/black				2	955 555 243 00	fixing clip door trim panel		6	
	PBT	stone grey/steel grey				3	N 103 346 01	screw M 6 X 20 mount door trim panel	-05	4	
	PBU	havanna/sand beige				3	N 103 346 04	screw M 6 X 20 mount door trim panel	06-	4	
(1)	955 555 118 04	door trim panel	/RL/R06-	1	I3LH/9AB/9AD	4	N 907 397 02	screw 5 X 22 mount door trim panel lower		2	
	PBS	black/black				5	955 555 885 00	ventilation grille lateral	/L -05	1	I9AB/9AD
	PBT	stone grey/steel grey					B41	satin black			
	PBU	havanna/sand beige				5	955 555 885 01	ventilation grille lateral	/L 06-	1	I9AB/9AD
	PBV	palm-green/palm-green					B41	satin black			
	RKR	sand beige/sand beige	04-			(5)	955 555 886 01	ventilation grille lateral	/R	1	I9AB/9AD
1	955 555 119 03	door trim panel	/RL/L	1	I3LH/9AH		B41	satin black			
	PBS	black/black				--	955 555 271 00	sealing ring 3,5 X 80 for ventilation grille		1	I9AB/9AD
	PBT	stone grey/steel grey				--	955 555 271 01	sealing ring 4,5 X 80 for ventilation grille		1	I9AB/9AD
	PBU	havanna/sand beige				6	955 555 463 00	air duct	/L	1	I9AB/9AD
	PBV	palm-green/palm-green				(6)	955 555 464 00	air duct	/R	1	I9AB/9AD
	RKR	sand beige/sand beige	04-			7	N 903 474 04	screw 4,0 X 12 mount air duct		X	
(1)	955 555 120 03	door trim panel	/RL/R-05	1	I3LH/9AH	8	955 555 229 00	armrest	/LL/L	1	I3LD
	PBS	black/black					A08	black			
	PBT	stone grey/steel grey					T25	sand beige			
	PBU	havanna/sand beige									
	PBV	palm-green/palm-green									
	RKR	sand beige/sand beige	04-								

Model	Year	MG	SG	Illustration	Restrictions	Update	18:53	16.08.2006	PORSCHE	PET	PORSCHE
9pa	06	8	07	807-10		203					

Pos	Part Number	Name	Remarks	Qty	Model	Pos	Part Number	Name	Remarks	Qty	Model
(8)	4Q2	palmgreen	/LL/R	1	I3LD	8	T25	sand beige	/RL/R-04	1	I3LE
	6E1	steel grey					A08	black			
	955 555 230 00	armrest					T25	sand beige			
	A08	black					4Q2	palmgreen			
	6E1	steel grey					6E1	steel grey			
8	955 555 229 00	armrest	/LL/L-04	1	I3LE	8	955 555 232 00	armrest	/RL/R-04	1	I3LE
	A08	black	/LL/L	1	I3LH		A08	black			
	T25	sand beige					T25	sand beige			
	4Q2	palmgreen					4Q2	palmgreen			
	6E1	steel grey					6E1	steel grey			
(8)	955 555 230 00	armrest				/LL/R-04	1	I3LE	(8)	955 555 233 00	armrest leather
	A08	black	/RL/L	1	I3LD	4P1	palmgreen				
	T25	sand beige				6B7	steel grey				
	4Q2	palmgreen				8G1	sand beige				
	6E1	steel grey				8YR	black				
8	955 555 231 00	armrest				/RL/L	1	I3LD	8	955 555 234 00	armrest leather
	A08	black	/RL/R	1	I3LH	4P1	palmgreen				
	T25	sand beige				6B7	steel grey				
	4Q2	palmgreen				8G1	sand beige				
	6E1	steel grey				8YR	black				
(8)	955 555 232 00	armrest				/RL/R	1	I3LD	8	955 555 235 00	armrest leather
	A08	black	/RL/R	1	I3LH	4P1	palmgreen				
	T25	sand beige				6B7	steel grey				
	4Q2	palmgreen				8G1	sand beige				
	6E1	steel grey				8YR	black				
8	955 555 231 00	armrest				/RL/L-04	1	I3LE	(8)	955 555 236 00	armrest leather
	A08	black	/RL/R	1	I3LH	4P1	palmgreen				
	T25	sand beige				6B7	steel grey				
	4Q2	palmgreen				8G1	sand beige				
	6E1	steel grey				8YR	black				
A08	black										

Model	Year	MG	SG	Illustration	Restrictions	Update	18:53	16.08.2006	PORSCHE	PET	PORSCHE
9pa	06	8	07	807-10		203					

Pos	Part Number	Name	Remarks	Qty	Model	Pos	Part Number	Name	Remarks	Qty	Model
--	N 906 487 02	8YR black tapping screw 4,8 X 16 for mount armrest		11							
9	955 555 227 00	trim armrest	/L -05	1	I3LD/3LE	9	955 555 228 00	5S4 sand beige 5Y5 palmgreen trim armrest	/L 06-	1	I3LD/3LH
		5Q2 black						5Q2 black			
		5R3 steel grey						5R3 steel grey			
		5S4 sand beige						5S4 sand beige			
		5Y5 palmgreen						5Y5 palmgreen			
(9)	955 555 228 00	trim armrest	/R -05	1	I3LD/3LE	10	955 555 259 00	4P1 palmgreen 6B7 steel grey 8G1 sand beige 8YR black handle leather	/L	1	I3LH
		5Q2 black						4P1 palmgreen			
		5R3 steel grey						6B7 steel grey			
		5S4 sand beige						8G1 sand beige			
		5Y5 palmgreen						8YR black			
9	955 555 225 01	trim armrest	/L -05	1	I3LH	(10)	955 555 260 00	handle leather	/R	1	I3LH
		4P1 palmgreen						4P1 palmgreen			
		6B7 steel grey						6B7 steel grey			
		8G1 sand beige						8G1 sand beige			
		8YR black						8YR black			
(9)	955 555 226 01	trim armrest	/R -05	1	I3LH	10	955 555 261 00	4P1 palmgreen 6B7 steel grey 8G1 sand beige 8YR black handle	/L	1	I3LD
		4P1 palmgreen						A08 black			
		6B7 steel grey						T25 sand beige			
		8G1 sand beige						4Q2 palmgreen			
		8YR black						6E1 steel grey			
9	955 555 227 00	trim armrest	/L 06-	1	I3LD/3LH	(10)	955 555 262 00	handle A08 black T25 sand beige 4Q2 palmgreen 6E1 steel grey	/R	1	I3LD
		5Q2 black						handle			
		5R3 steel grey						A08 black			
								T25 sand beige			
								4Q2 palmgreen			
								6E1 steel grey			
								handle	/L -05	1	I3LE
						10	955 555 261 00	handle			

Model	Year	MG	SG	Illustration	Restrictions	Update	18:53	16.08.2006	PORSCHE	PET	PORSCHE
9pa	06	8	07	807-10		203					

Pos	Part Number	Name	Remarks	Qty	Model	Pos	Part Number	Name	Remarks	Qty	Model	
	A08	black					4Q2	palmgreen				
	T25	sand beige					6E1	steel grey				
	4Q2	palmgreen				11	955 555 539 00	trim handle leather	/L	1	I3LH	
	6E1	steel grey					4P1	palmgreen				
(10)	955 555 262 00	handle	/R -05	1	I3LE		6B7	steel grey				
	A08	black					8G1	sand beige				
	T25	sand beige					8YR	black				
	4Q2	palmgreen				(11)	955 555 540 00	trim handle leather	/R	1	I3LH	
	6E1	steel grey					4P1	palmgreen				
11	955 555 537 00	trim handle	/L	1	I3LD		6B7	steel grey				
	A08	black					8G1	sand beige				
	T25	sand beige					8YR	black				
	4Q2	palmgreen				12	955 555 087 00	moulding long plastic material lacquered	/L	1	I5MA	
	6E1	steel grey					5X2	silver mat chrome				
(11)	955 555 538 00	trim handle	/R	1	I3LD	(12)	955 555 088 00	moulding long plastic material lacquered	/R	1	I5MA	
	A08	black					5X2	silver mat chrome				
	T25	sand beige					12	955 555 089 00	moulding long	/L	1	I5TE
	4Q2	palmgreen					62W	satin aluminium mat				
	6E1	steel grey				(12)	955 555 090 00	moulding long	/R	1	I5TE	
11	955 555 537 00	trim handle	/L -05	1	I3LE		62W	satin aluminium mat				
	A08	black					12	955 555 091 00	moulding long	/L	1	I5MG
	T25	sand beige					4X2	rootwood				
	4Q2	palmgreen										
	6E1	steel grey										
(11)	955 555 538 00	trim handle	/R -05	1	I3LE							
	A08	black										
	T25	sand beige										

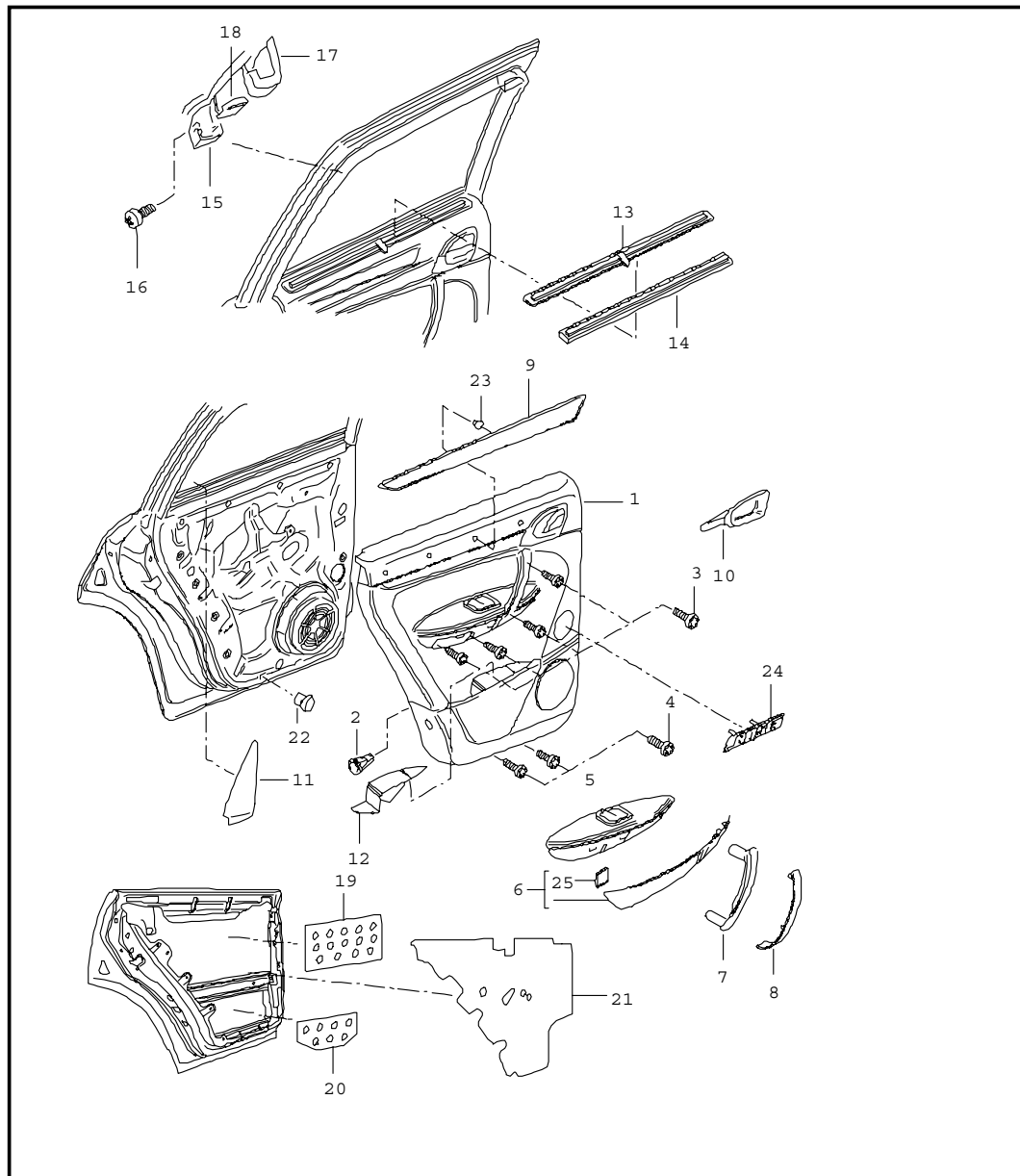
Model	Year	MG	SG	Illustration	Restrictions	Update	18:53	16.08.2006	PORSCHE	PET	PORSCHE
9pa	06	8	07	807-10		203					

Pos	Part Number	Name	Remarks	Qty	Model	Pos	Part Number	Name	Remarks	Qty	Model
(12)	955 555 092 00	moulding long	/R	1	I5MG		4X2	rootwood			
	4X2	rootwood				13	955 555 101 00	moulding short wood light	/L	1	I5TF
12	955 555 093 00	moulding long	/L	1	I5TF		4V8	olive grain			
	4V8	olive grain				(13)	955 555 102 00	moulding short wood light	/R	1	I5TF
(12)	955 555 094 00	moulding long	/R	1	I5TF		4V8	olive grain			
	4V8	olive grain				13	955 555 203 00	moulding short	/L 04-	1	I5TK
12	955 555 063 00	moulding long	/L 04-	1	I5TK		9Z4	ash wood			
	9Z4	ash wood				12	955 555 064 00	moulding long	/R 04-	1	I5TK
	9Z4	ash wood					9Z4	ash wood			
12	955 555 064 00	moulding long	/R 04-	1	I5TK	(13)	955 555 204 00	moulding short	/R 04-	1	I5TK
	9Z4	ash wood					9Z4	ash wood			
13	955 555 095 00	moulding short plastic material lacquered	/L	1	I5MA	14	955 555 113 00	inner door release complete	/L	1	
	5X2	silver mat chrome					A03	black			
(13)	955 555 096 00	moulding short plastic material lacquered	/R	1	I5MA		5V7	stone grey			
	5X2	silver mat chrome					5Y2	palmgreen			
13	955 555 097 00	moulding short	/L	1	I5TE		5Y9	havanna			
	62W	satin aluminium mat					5Z1	sand beige	04-		
(13)	955 555 098 00	moulding short	/R	1	I5TE	(14)	955 555 114 00	inner door release complete	/R	1	
	62W	satin aluminium mat					A03	black			
13	955 555 099 00	moulding short	/L	1	I5MG		5V7	stone grey			
	4X2	rootwood					5Y2	palmgreen			
(13)	955 555 100 00	moulding short	/R	1	I5MG		5Y9	havanna			
	4X2	rootwood					5Z1	sand beige	04-		
	4X2	rootwood				15	955 555 103 02	cover mirror changeover switch	/LL/L-05	1	
	4X2	rootwood					6N3	black mat			

Model	Year	MG	SG	Illustration	Restrictions	Update	18:53	16.08.2006	PORSCHE	PET	PORSCHE
9pa	06	8	07	807-10		203					

Pos	Part Number	Name	Remarks	Qty	Model	Pos	Part Number	Name	Remarks	Qty	Model
(15)	955 555 104 02	cover mirror changeover switch	/LL/R-05	1		21	955 645 511 00	logo bose		1	I9VL
	6N3	black mat				22	N 907 468 01	u-clamp		7	
(15)	955 555 103 03	cover mirror changeover switch	/LL/L06-	1				- - - E N D - - -			
	6N3	black mat									
(15)	955 555 104 03	cover mirror changeover switch	/LL/R06-	1							
	6N3	black mat									
(15)	955 555 105 02	cover mirror changeover switch	/RL/L-05	1							
	6N3	black mat									
(15)	955 555 106 02	cover mirror changeover switch	/RL/R-05	1							
	6N3	black mat									
(15)	955 555 105 03	cover mirror changeover switch	/RL/L06-	1							
	6N3	black mat									
(15)	955 555 106 03	cover mirror changeover switch	/RL/R06-	1							
	6N3	black mat									
--	955 533 837 00	grommet mount cover mirror changeover switch		1							
16	955 556 821 00	insulation door upper		2							
17	955 556 823 00	insulation lower		2							
18	955 556 879 01	insulation	/L	1							
(18)	955 556 880 01	insulation	/R	1							
19	N 105 168 01	expander nut door trim panel		2							
20	955 555 033 00	fixing clip moulding		5							

Model	Year	MG	SG	Illustration	Restrictions	Update	18:53	16.08.2006	PORSCHE	PET	PORSCHE
9pa	06	8	07	807-15		203					



Pos	Part Number	Name	Remarks	Qty	Model
1	955 555 141 03	door trim panel with insulation rear	/L	1	I3LD/9JA
	PBJ	black/black			
	PBK	stone grey/steel grey			
	PBL	havanna/sand beige			
	PBM	palm-green/palm-green			
(1)	955 555 142 03	door trim panel leatherette	/R	1	I3LD/9JA
	PBJ	black/black			
	PBK	stone grey/steel grey			
	PBL	havanna/sand beige			
	PBM	palm-green/palm-green			
1	955 555 143 03	door trim panel leatherette	/L	1	I3LD/3Y4/9JA
	PBJ	black/black			
	PBK	stone grey/steel grey			
	PBL	havanna/sand beige			
	PBM	palm-green/palm-green			
(1)	955 555 144 03	door trim panel leatherette	/R	1	I3LD/3Y4/9JA
	PBJ	black/black			
	PBK	stone grey/steel grey			
	PBL	havanna/sand beige			
	PBM	palm-green/palm-green			
1	955 555 145 03	door trim panel leatherette	/L	1	I3LD/9JB
	PBJ	black/black			
	PBK	stone grey/steel grey			
	PBL	havanna/sand beige			

Model	Year	MG	SG	Illustration	Restrictions	Update	18:53	16.08.2006	PORSCHE	PET	PORSCHE
9pa	06	8	07	807-15		203					

Pos	Part Number	Name	Remarks	Qty	Model	Pos	Part Number	Name	Remarks	Qty	Model
(1)	955 555 146 03	PBM palm-green/palm-green door trim panel leatherette	/R	1	I3LD/9JB	1	955 555 153 02	door trim panel partial leather	/L -04	1	I3LE/3Y4/9JA
		PBJ black/black					PBN black/black				
		PBK stone grey/steel grey					PBP stone grey/steel grey				
		PBL havanna/sand beige					PBQ havanna/sand beige				
		PBM palm-green/palm-green					PBR palm-green/palm-green				
1	955 555 147 03	door trim panel leatherette	/L	1	I3LD/3Y4/9JB	(1)	955 555 154 02	door trim panel partial leather	/R -04	1	I3LE/3Y4/9JA
		PBJ black/black					PBN black/black				
		PBK stone grey/steel grey					PBP stone grey/steel grey				
		PBL havanna/sand beige					PBQ havanna/sand beige				
		PBM palm-green/palm-green					PBR palm-green/palm-green				
(1)	955 555 148 03	door trim panel leatherette	/R	1	I3LD/3Y4/9JB	1	955 555 155 02	door trim panel partial leather	/L -04	1	I3LE/9JB
		PBJ black/black					PBN black/black				
		PBK stone grey/steel grey					PBP stone grey/steel grey				
		PBL havanna/sand beige					PBQ havanna/sand beige				
		PBM palm-green/palm-green					PBR palm-green/palm-green				
1	955 555 151 02	door trim panel partial leather	/L -04	1	I3LE/9JA	(1)	955 555 156 02	door trim panel partial leather	/R -04	1	I3LE/9JB
		PBN black/black					PBN black/black				
		PBP stone grey/steel grey					PBP stone grey/steel grey				
		PBQ havanna/sand beige					PBQ havanna/sand beige				
		PBR palm-green/palm-green					PBR palm-green/palm-green				
(1)	955 555 152 02	door trim panel partial leather	/R -04	1	I3LE/9JA	1	955 555 159 02	door trim panel partial leather	/L -04	1	I3LE/3Y4/9JB
		PBN black/black					PBN black/black				
		PBP stone grey/steel grey					PBP stone grey/steel grey				
		PBQ havanna/sand beige					PBQ havanna/sand beige				
		PBR palm-green/palm-green					PBR palm-green/palm-green				
		PBM palm-green/palm-green				(1)	955 555 160 02	door trim panel partial leather	/R -04	1	I3LE/3Y4/9JB

Model	Year	MG	SG	Illustration	Restrictions	Update	18:53	16.08.2006	PORSCHE	PET	PORSCHE
9pa	06	8	07	807-15		203					

Pos	Part Number	Name	Remarks	Qty	Model	Pos	Part Number	Name	Remarks	Qty	Model
	PBN	black/black					RKR	sand beige/sand beige	04-		
	PBP	stone grey/steel grey				1	955 555 169 03	door trim panel leather	/L	1	I3LH/9JB
	PBQ	havanna/sand beige					PBS	black/black			
	PBR	palm-green/palm-green					PBT	stone grey/steel grey			
1	955 555 163 03	door trim panel leather	/L	1	I3LH/9JA		PBU	havanna/sand beige			
	PBS	black/black					PBV	palm-green/palm-green			
	PBT	stone grey/steel grey					RKR	sand beige/sand beige	04-		
	PBU	havanna/sand beige				(1)	955 555 170 03	door trim panel leather	/R	1	I3LH/9JB
	PBV	palm-green/palm-green					PBS	black/black			
(1)	955 555 164 03	door trim panel leather	/R	1	I3LH/9JA		PBT	stone grey/steel grey			
	PBS	black/black					PBU	havanna/sand beige			
	PBT	stone grey/steel grey					PBV	palm-green/palm-green			
	PBU	havanna/sand beige				1	955 555 171 03	door trim panel leather	/L	1	I3LH/3Y4/9JB
	PBV	palm-green/palm-green					PBS	black/black			
	RKR	sand beige/sand beige	04-				PBT	stone grey/steel grey			
1	955 555 167 03	door trim panel leather	/L	1	I3LH/3Y4/9JA		PBU	havanna/sand beige			
	PBS	black/black					PBV	palm-green/palm-green			
	PBT	stone grey/steel grey					RKR	sand beige/sand beige	04-		
	PBU	havanna/sand beige				(1)	955 555 172 03	door trim panel leather	/R	1	I3LH/3Y4/9JB
	PBV	palm-green/palm-green					PBS	black/black			
	RKR	sand beige/sand beige	04-				PBT	stone grey/steel grey			
(1)	955 555 168 03	door trim panel leather	/R	1	I3LH/3Y4/9JA		PBU	havanna/sand beige			
	PBS	black/black					PBV	palm-green/palm-green			
	PBT	stone grey/steel grey					RKR	sand beige/sand beige	04-		
	PBU	havanna/sand beige				2	955 555 243 00	fixing clip door trim panel		7	
	PBV	palm-green/palm-green									

Model	Year	MG	SG	Illustration	Restrictions	Update	18:53	16.08.2006	PORSCHE	PET	PORSCHE
9pa	06	8	07	807-15		203					

Pos	Part Number	Name	Remarks	Qty	Model	Pos	Part Number	Name	Remarks	Qty	Model
3	N 103 346 01	screw M 6 X 20 mount door trim panel	-05	4			4P1	palmgreen			
							6B7	steel grey			
							8G1	sand beige			
3	N 103 346 04	screw M 6 X 20 mount door trim panel	_06	4			8YR	black			
						(5)	955 555 176 00	armrest leather	/R	1	I3LH
4	N 907 397 02	screw M 5 X 22 mount door trim panel lower		2			4P1	palmgreen			
							6B7	steel grey			
							8G1	sand beige			
5	955 555 173 00	armrest A08 black T25 sand beige 4Q2 palmgreen 6E1 steel grey	/L	1	I3LD		8YR	black			
						--	N 906 487 02	tapping screw 4,8 X 16 for mount armrest		7	
(5)	955 555 174 00	armrest A08 black T25 sand beige 4Q2 palmgreen 6E1 steel grey	/R	1	I3LD	6	955 555 177 00	trim armrest	/L -05	1	I3LD/3LE
							5Q2	black			
							5R3	steel grey			
							5S4	sand beige			
							5Y5	palmgreen			
5	955 555 173 00	armrest A08 black T25 sand beige 4Q2 palmgreen 6E1 steel grey	/L -05	1	I3LE	(6)	955 555 178 00	trim armrest	/R -05	1	I3LD/3LE
							5Q2	black			
							5R3	steel grey			
							5S4	sand beige			
							5Y5	palmgreen			
(5)	955 555 174 00	armrest A08 black T25 sand beige 4Q2 palmgreen 6E1 steel grey	/R -05	1	I3LE	6	955 555 179 01	trim armrest	/L -05	1	I3LH
							4P1	palmgreen			
							6B7	steel grey			
							8G1	sand beige			
5	955 555 175 00	armrest leather	/L	1	I3LH		8YR	black			

Model	Year	MG	SG	Illustration	Restrictions	Update	18:53	16.08.2006	PORSCHE	PET	PORSCHE
9pa	06	8	07	807-15		203					

Pos	Part Number	Name	Remarks	Qty	Model	Pos	Part Number	Name	Remarks	Qty	Model
(6)	955 555 180 01	trim armrest	/R -05	1	I3LH		T25	sand beige			
	4P1	palmgreen					4Q2	palmgreen			
	6B7	steel grey					6E1	steel grey			
	8G1	sand beige				(7)	955 555 262 00	handle	/R	1	I3LD
	8YR	black					A08	black			
6	955 555 177 00	trim armrest	/L 06-	1	I3LD/3LH		T25	sand beige			
	5Q2	black					4Q2	palmgreen			
	5R3	steel grey					6E1	steel grey			
	5S4	sand beige				7	955 555 261 00	handle	/L -05	1	I3LE
	5Y5	palmgreen					A08	black			
(6)	955 555 178 00	trim armrest	/R 06-	1	I3LD/3LH		T25	sand beige			
	5Q2	black					4Q2	palmgreen			
	5R3	steel grey				(7)	955 555 262 00	handle	/R -05	1	I3LE
	5S4	sand beige					A08	black			
	5Y5	palmgreen					T25	sand beige			
7	955 555 259 00	handle leather	/L	1	I3LH		4Q2	palmgreen			
	4P1	palmgreen					6E1	steel grey			
	6B7	steel grey				8	955 555 537 00	trim handle	/L	1	I3LD
	8G1	sand beige					A08	black			
	8YR	black					T25	sand beige			
(7)	955 555 260 00	handle leather	/R	1	I3LH		4Q2	palmgreen			
	4P1	palmgreen					6E1	steel grey			
	6B7	steel grey				(8)	955 555 538 00	trim handle	/R	1	I3LD
	8G1	sand beige					A08	black			
	8YR	black					T25	sand beige			
7	955 555 261 00	handle	/L	1	I3LD		4Q2	palmgreen			
	A08	black					6E1	steel grey			

Model	Year	MG	SG	Illustration	Restrictions	Update	18:53	16.08.2006	PORSCHE	PET	PORSCHE
9pa	06	8	07	807-15		203					

Pos	Part Number	Name	Remarks	Qty	Model	Pos	Part Number	Name	Remarks	Qty	Model
8	955 555 537 00	trim handle	/L -05	1	I3LE	9	955 555 089 00	moulding	/L	1	I5TE
	A08	black					62W	satin aluminium mat			
	T25	sand beige				(9)	955 555 090 00	moulding	/R	1	I5TE
	4Q2	palmgreen					62W	satin aluminium mat			
	6E1	steel grey				9	955 555 091 00	moulding	/L	1	I5MG
(8)	955 555 538 00	trim handle	/R -05	1	I3LE		4X2	rootwood			
	A08	black				(9)	955 555 092 00	moulding	/R	1	I5MG
	T25	sand beige					4X2	rootwood			
	4Q2	palmgreen				9	955 555 093 00	moulding	/L	1	I5TF
	6E1	steel grey					4V8	olive grain			
8	955 555 539 00	trim handle leather	/L	1	I3LH	(9)	955 555 094 00	moulding	/R	1	I5TF
	4P1	palmgreen					4V8	olive grain			
	6B7	steel grey				9	955 555 063 00	moulding	/L 04-	1	I5TK
	8G1	sand beige					9Z4	ash wood			
	8YR	black				(9)	955 555 064 00	moulding	/R 04-	1	I5TK
							9Z4	ash wood			
(8)	955 555 540 00	trim handle leather	/R	1	I3LH	10	955 555 113 00	inner door release complete	/L	1	
	4P1	palmgreen					A03	black			
	6B7	steel grey					5V7	stone grey			
	8G1	sand beige					5Y2	palmgreen			
	8YR	black					5Y9	havanna			
9	955 555 087 00	moulding plastic material lacquered	/L	1	I5MA		5Z1	sand beige	04-		
	5X2	silver mat chrome				(10)	955 555 114 00	inner door release complete	/R	1	
(9)	955 555 088 00	moulding plastic material lacquered	/R	1	I5MA		A03	black			
	5X2	silver mat chrome					5V7	stone grey			
							5Y2	palmgreen			
							5Y9	havanna			

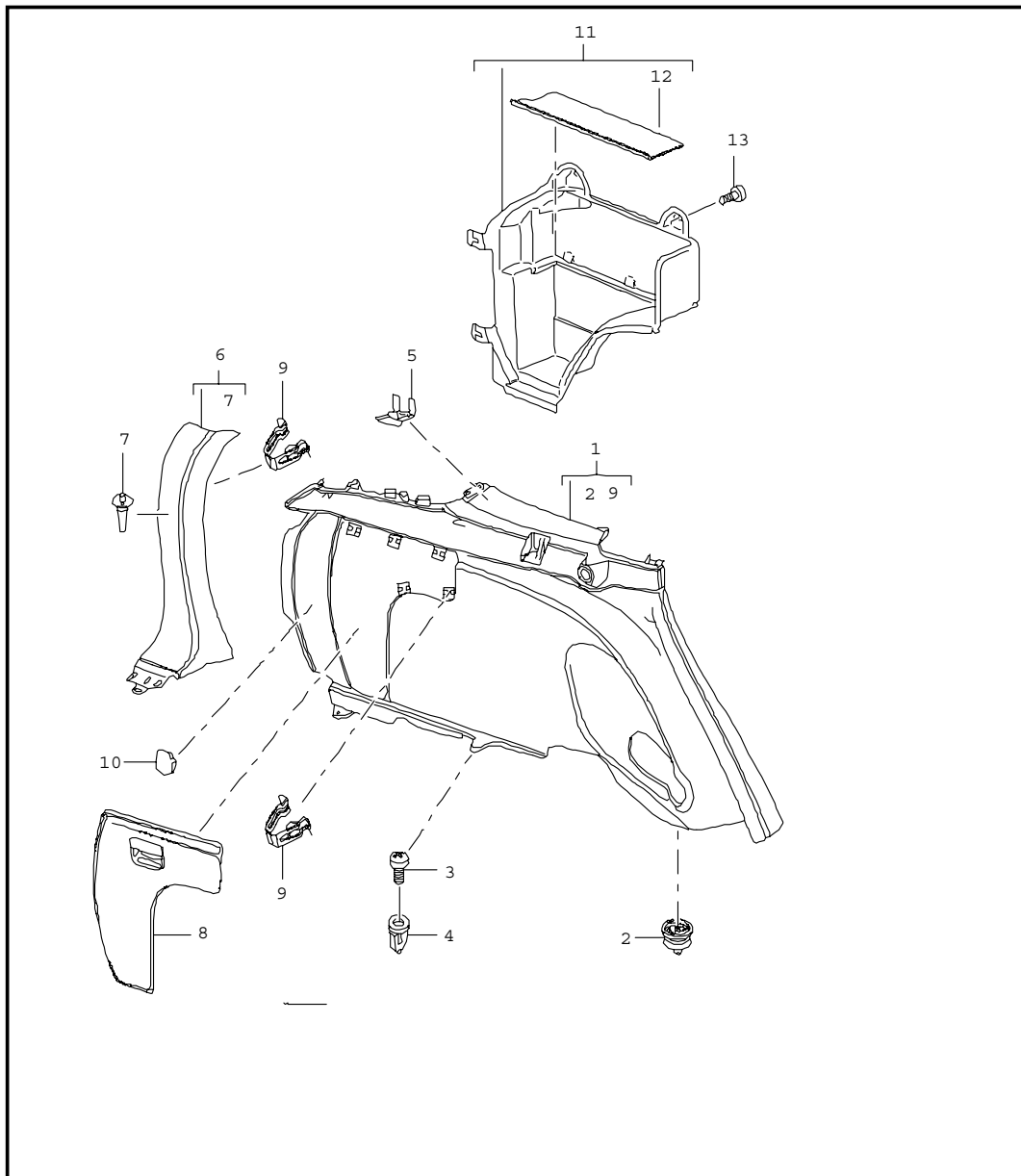
Model	Year	MG	SG	Illustration	Restrictions	Update	18:53	16.08.2006	PORSCHE	PET	PORSCHE
9pa	06	8	07	807-15		203					

Pos	Part Number	Name	Remarks	Qty	Model	Pos	Part Number	Name	Remarks	Qty	Model
	5Z1	sand beige	04-				A03	black			
11	955 555 883 02	cover	/L -05	1			5V7	stone grey			
11	955 555 883 03	cover	/L 06-	1			5Y2	palmgreen			
(11)	955 555 884 02	cover	/R -05	1			5Y9	havanna			
(11)	955 555 884 03	cover	/R 06-	1			5Z1	sand beige	04-		
12	955 555 851 00	ashtray	/L	1	I9JB	15	955 731 321 00	support shade front	/L	1	I3Y4
	A03	black					B41	satin black			
	7BA	steel grey				(15)	955 731 322 00	support shade front	/R	1	I3Y4
	5Y2	palmgreen					B41	satin black			
	5Z1	sand beige				(15)	955 731 323 00	support shade rear	/L	1	I3Y4
(12)	955 555 852 00	ashtray	/R	1	I9JB		B41	satin black			
	A03	black				(15)	955 731 324 00	support shade rear	/R	1	I3Y4
	7BA	steel grey					B41	satin black			
	5Y2	palmgreen				(15)	955 731 325 01	cap support front	/L	1	I3Y4
	5Z1	sand beige					01C	satin black			
13	955 731 317 02	shade door glass	/L 04-	1	I3Y4		955 731 326 01	cap support front	/R	1	I3Y4
	3W4	black					01C	satin black			
(13)	955 731 318 02	shade door glass	/R 04-	1	I3Y4	16	N 104 472 01	lens-head screw ST 4,8 X 13		4	
	3W4	black				17	955 731 325 01	cap support front	/L	1	I3Y4
14	955 731 319 00	cover shade lacquered	/L	1	I3Y4		955 731 327 01	cap support rear	/L	1	I3Y4
	A03	black				(17)	955 731 328 01	cap support rear	/R	1	I3Y4
	5V7	stone grey					01C	satin black			
	5Y2	palmgreen				(17)	955 731 327 01	cap support rear	/L	1	I3Y4
	5Y9	havanna					01C	satin black			
	5Z1	sand beige	04-			(17)	955 731 328 01	cap support rear	/R	1	I3Y4
(14)	955 731 320 00	cover shade lacquered	/R	1	I3Y4						

Model	Year	MG	SG	Illustration	Restrictions	Update	18:53	16.08.2006	PORSCHE	PET	PORSCHE
9pa	06	8	07	807-15		203					

Pos	Part Number	Name	Remarks	Qty	Model	Pos	Part Number	Name	Remarks	Qty	Model
	01C	satin black									
18	955 731 330 00	plate shade		2	I3Y4						
	B41	satin black									
19	955 556 821 00	insulation upper		2							
20	955 556 823 00	insulation lower		2							
21	955 556 881 01	insulation door	/L	1							
(21)	955 556 882 01	insulation door	/R	1							
22	N 105 168 01	expander nut door trim panel		2							
23	955 555 033 00	fixing clip moulding		4							
24	955 645 511 00	logo bose		1	I9VL						
25	N 907 468 01	u-clamp		7							
		- - - E N D - - -									

Model	Year	MG	SG	Illustration	Restrictions	Update	18:54	16.08.2006	PORSCHE	PET	PORSCHE
9pa	06	8	07	807-20		203					



Pos	Part Number	Name	Remarks	Qty	Model
1	955 555 037 02	side trim panel rear accessories		1	I3LD/9AB/9AD
		PCE black/black			
		PCF stone grey/steel grey			
		PCG havanna/sand beige			
		PCH palm-green/palm-green			
		WSG grey/black	06-		
		WSH black/sand beige	06-		
1	955 555 038 02	side trim panel rear tufting velour	/R	1	I3LD
		PCE black/black			
		PCF stone grey/steel grey			
		PCG havanna/sand beige			
		PCH palm-green/palm-green			
		WSG grey/black	06-		
		WSH black/sand beige	06-		
(1)	955 555 041 01	side trim panel rear tufting velour	/L	1	I3LD/9AH
		PCE black/black			
		PCF stone grey/steel grey			
		PCG havanna/sand beige			
		PCH palm-green/palm-green			
		WSG grey/black	06-		
		WSH black/sand beige	06-		
(1)	955 555 040 02	side trim panel rear tufting velour	/R	1	I3LD/1D9
		PCE black/black			

Model	Year	MG	SG	Illustration	Restrictions	Update	18:54	16.08.2006	PORSCHE	PET	PORSCHE
9pa	06	8	07	807-20		203					

Pos	Part Number	Name	Remarks	Qty	Model	Pos	Part Number	Name	Remarks	Qty	Model
		PCF stone grey/steel grey						PCK stone grey/steel grey			
		PCG havanna/sand beige						PCL havanna/sand beige			
		PCH palm-green/palm-green						PCM palm-green/palm-green			
		WSG grey/black	06-					RKS sand beige/sand beige	04		
		WSH black/sand beige	06-			1	955 555 043 01	side trim panel rear pearl velour	/L	1	I3LH/9AH
1	955 555 039 02	side trim panel rear pearl velour	/L	1	I3LH/9AB/9AD			PCJ black/black			
		PCJ black/black						PCK stone grey/steel grey			
		PCK stone grey/steel grey						PCL havanna/sand beige			
		PCL havanna/sand beige						PCM palm-green/palm-green			
		PCM palm-green/palm-green						RKS sand beige/sand beige	04-		
(1)	955 555 042 02	side trim panel rear pearl velour	/R	1	I3LH	(1)	955 555 044 02	side trim panel rear pearl velour	/R	1	I1D9/3LH
		PCJ black/black						PCJ black/black			
		PCK stone grey/steel grey						PCK stone grey/steel grey			
		PCL havanna/sand beige						PCL havanna/sand beige			
		PCM palm-green/palm-green						PCM palm-green/palm-green			
		RKS sand beige/sand beige	04-					RKS sand beige/sand beige	04-		
1	955 555 039 02	side trim panel rear pearl velour	/L -04	1	I3LE/9AB/9AD	1	955 555 043 01	side trim panel rear pearl velour	/L -04	1	I3LE/9AH
		PCJ black/black						PCJ black/black			
		PCK stone grey/steel grey						PCK stone grey/steel grey			
		PCL havanna/sand beige						PCL havanna/sand beige			
		PCM palm-green/palm-green						PCM palm-green/palm-green			
		RKS sand beige/sand beige	04					RKS sand beige/sand beige	04		
1	955 555 042 02	side trim panel rear pearl velour	/R -04	1	I3LE	(1)	955 555 044 02	side trim panel rear pearl velour	/R -04	1	I1D9/3LE
		PCJ black/black						PCJ black/black			
		PCK stone grey/steel grey						PCK stone grey/steel grey			

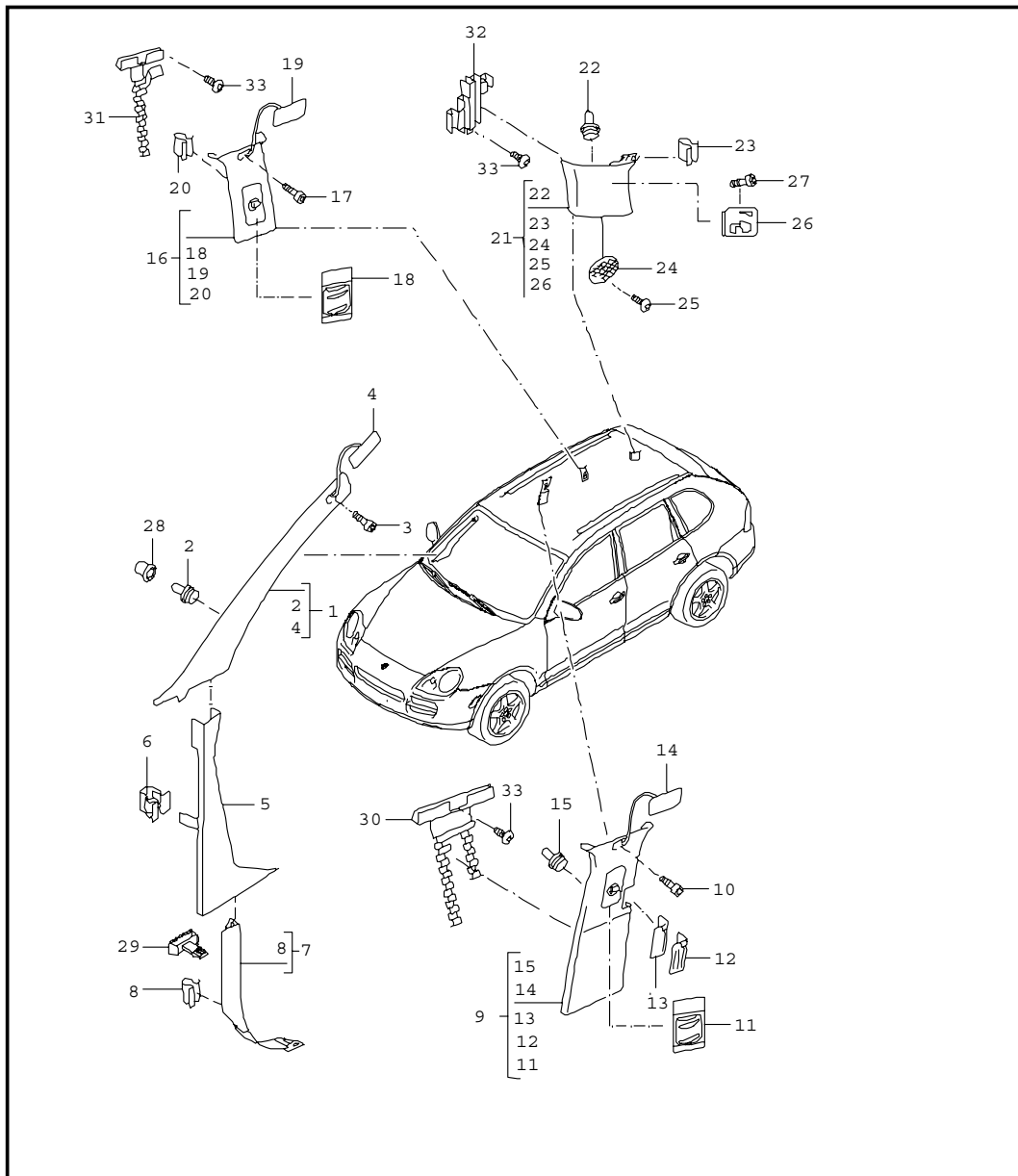
Model	Year	MG	SG	Illustration	Restrictions	Update	18:54	16.08.2006	PORSCHE	PET	PORSCHE
9pa	06	8	07	807-20		203					

Pos	Part Number	Name	Remarks	Qty	Model	Pos	Part Number	Name	Remarks	Qty	Model
	PCL	havanna/sand beige				7	955 555 276 00	clip mount for strip rear		3	
	PCM	palm-green/palm-green									
	RKS	sand beige/sand beige	04								
2	955 555 245 00	clip for mount side trim panel		X		8	955 555 461 00	cover side trim panel tufting velour	/L	1	I3LD/9AB/9AD
3	N 908 195 01	lens-head screw ST 4,8 X 13 mount side trim panel		4			7H1	black			
							7J2	steel grey			
							7K3	sand beige			
4	N 105 168 01	expander nut F 5X 14,4 mount side trim panel side member		4			7L4	palmgreen			
(4)	N 909 274 01	expander nut CST 4,8 X 10 mount side trim panel c-pillar		4		(8)	955 555 462 01	cover side trim panel tufting velour	/R	1	I3LD
							7H1	black			
							7J2	steel grey			
							7K3	sand beige			
5	955 555 387 00	clamp for mount side trim panel		2			7L4	palmgreen			
6	955 555 447 02	strip side trim panel rear	/L	1		8	955 555 471 00	cover side trim panel pearl velour	/L	1	I3LH/9AB/9AD
	01C	satin black					8B2	black			
	6C6	sand beige					8C3	steel grey			
	6H8	palmgreen					8D4	sand beige			
	7A8	steel grey					8E5	palmgreen			
(6)	955 555 448 02	strip side trim panel rear	/R	1		(8)	955 555 472 01	cover side trim panel pearl velour	/R	1	I3LH
	01C	satin black					8B2	black			
	6C6	sand beige					8C3	steel grey			
	6H8	palmgreen					8D4	sand beige			
	7A8	steel grey					8E5	palmgreen			
						8	955 555 471 00	cover side trim panel pearl velour	/L -04	1	I3LE/9AB/9AD

Model	Year	MG	SG	Illustration	Restrictions	Update	18:54	16.08.2006	PORSCHE	PET	PORSCHE
9pa	06	8	07	807-20		203					

Pos	Part Number	Name	Remarks	Qty	Model	Pos	Part Number	Name	Remarks	Qty	Model
	8B2	black						- - - E N D - - -			
	8C3	steel grey									
	8D4	sand beige									
	8E5	palmgreen									
(8)	955 555 472 01	cover side trim panel pearl velour	/R -04	1	I3LE						
	8B2	black									
	8C3	steel grey									
	8D4	sand beige									
	8E5	palmgreen									
9	955 555 388 00	clamp side trim panel mount cover		5	I9AB/9AD						
(9)	955 555 389 00	clamp side trim panel mount cover		5	I9AH						
10	--- --- --- --	socket side trim panel see group 9/03/05		1							
11	955 555 705 00	package box side trim panel	/L 05-	1	I9AB/9AD						
12	955 555 652 00	insert package box	05-	1	I9AB/9AD						
13	N 906 841 01	oval-head screw M 6 X 20	05	2							
13	N 906 841 02	oval-head screw M 6 X 20	06-	2							
(13)	N 902 521 01	blind rivet nut M 6/0,5 - 3,0 for mount package box	05	2							
(13)	N 106 185 01	blind rivet nut M 6/0,5 - 3,0 for mount package box	06-	2							

Model	Year	MG	SG	Illustration	Restrictions	Update	18:54	16.08.2006	PORSCHE	PET	PORSCHE
9pa	06	8	07	807-25		203					



Pos	Part Number	Name	Remarks	Qty	Model
1	955 555 181 02	linings a-pillar until d-pillar	/L -04	1	I6NJ/6NL/6NQ
	6K1	sand beige			
	6L2	steel grey			
	6M3	palmgreen			
1	955 555 181 03	lining a-pillar upper cloth	/L 05-	1	I6NJ/6NL/6NQ
	6K1	sand beige			
	6L2	steel grey			
	6M3	palmgreen			
(1)	955 555 182 02	lining a-pillar upper cloth	/R -04	1	I6NJ/6NL/6NQ
	6K1	sand beige			
	6L2	steel grey			
	6M3	palmgreen			
(1)	955 555 182 03	lining a-pillar upper cloth	/R 05-	1	I6NJ/6NL/6NQ
	6K1	sand beige			
	6L2	steel grey			
	6M3	palmgreen			
1	955 555 183 03	lining a-pillar upper alcantara	/L -05	1	I6NA/6NF/6NN
	5E5	steel grey			
	5E6	black			

Model	Year	MG	SG	Illustration	Restrictions	Update	18:54	16.08.2006	PORSCHE	PET	PORSCHE
9pa	06	8	07	807-25		203					

Pos	Part Number	Name	Remarks	Qty	Model	Pos	Part Number	Name	Remarks	Qty	Model
	5G6	sand beige				3	N 106 768 01	screw M 5 X 25 mount a-pillar upper	06-	2	
	5L6	palmgreen									
1	955 555 183 04	lining a-pillar upper alcantara	/L 06-	1	I6NA/6NF/6NN	4	955 555 437 00	sticker airbag		2	
	5E5	steel grey					01C	satin black			
	5E6	black					6C6	sand beige			
	5G6	sand beige					6H8	palmgreen			
	5L6	palmgreen					7A8	steel grey			
(1)	955 555 184 03	lining a-pillar upper alcantara	/R -05	1	I6NA/6NF/6NN	5	955 555 239 00	lining a-pillar centre	/L	1	
	5E5	steel grey					01C	satin black			
	5E6	black					6C6	sand beige			
	5G6	sand beige					6H8	palmgreen			
	5L6	palmgreen					7A8	steel grey			
(1)	955 555 184 04	lining a-pillar upper alcantara	/R 06-	1	I6NA/6NF/6NN	(5)	955 555 240 00	lining a-pillar centre	/R	1	
	5E5	steel grey					01C	satin black			
	5E6	black					6C6	sand beige			
	5G6	sand beige					6H8	palmgreen			
	5L6	palmgreen					7A8	steel grey			
2	955 555 333 00	clip mount lining a-pillar upper		2		6	955 552 208 00	clamp mount a-pillar centre		2	
3	N 104 829 01	screw M 5 X 25 mount a-pillar upper	-05	2		7	955 555 485 00	lining a-pillar lower	/LL/L	1	
							01C	satin black			
							6C6	sand beige			
							6H8	palmgreen			
							7A8	steel grey			

Model	Year	MG	SG	Illustration	Restrictions	Update	18:54	16.08.2006	PORSCHE	PET	PORSCHE
9pa	06	8	07	807-25		203					

Pos	Part Number	Name	Remarks	Qty	Model	Pos	Part Number	Name	Remarks	Qty	Model
(7)	955 555 486 00	lining a-pillar lower	/LL/R	1			QGC	sand beige/sand beige			
	01C	satin black					QGD	palm-green/palm-green			
	6C6	sand beige				(9)	955 555 185 04	lining b-pillar cloth	/L 06-	1	I3QT/9AB/9AD
	6H8	palmgreen					QGA	satin black/steel grey			
	7A8	steel grey					QGB	steel grey/steel grey			
(7)	955 555 487 00	lining a-pillar lower	/RL/L	1			QGC	sand beige/sand beige			
	01C	satin black					QGD	palm-green/palm-green			
	7A8	steel grey				(9)	955 555 186 04	lining b-pillar cloth	/R 06-	1	I3QT/9AB/9AD
	6C6	sand beige					QGA	satin black/steel grey			
	6H8	palmgreen					QGB	steel grey/steel grey			
(7)	955 555 488 00	lining a-pillar lower	/RL/R	1			QGC	sand beige/sand beige			
	01C	satin black					QGD	palm-green/palm-green			
	7A8	steel grey				9	955 555 187 03	lining b-pillar cloth	/L	1	I3QT/9AH
	6C6	sand beige					QGA	satin black/steel grey			
	6H8	palmgreen					QGB	steel grey/steel grey			
8	955 555 279 00	fixing clip		2			QGC	sand beige/sand beige			
9	955 555 185 03	lining b-pillar cloth	/L -05	1	I3QT/9AB/9AD		QGD	palm-green/palm-green			
	QGA	satin black/steel grey				(9)	955 555 188 03	lining b-pillar cloth	/R	1	I3QT/9AH
	QGB	steel grey/steel grey					QGA	satin black/steel grey			
	QGC	sand beige/sand beige					QGB	steel grey/steel grey			
	QGD	palm-green/palm-green					QGC	sand beige/sand beige			
9	955 555 186 03	lining b-pillar cloth	/R -05	1	I3QT/9AB/9AD		QGD	palm-green/palm-green			
	QGA	satin black/steel grey				9	955 555 189 02	lining b-pillar cloth	/L -04	1	I4QF/9AB/9AD
	QGB	steel grey/steel grey					QGA	satin black/steel grey			

Model	Year	MG	SG	Illustration	Restrictions	Update	18:54	16.08.2006	PORSCHE	PET	PORSCHE
9pa	06	8	07	807-25		203					

Pos	Part Number	Name	Remarks	Qty	Model	Pos	Part Number	Name	Remarks	Qty	Model
		QGB steel grey/steel grey						QGA satin black/steel grey			
		QGC sand beige/sand beige						QGB steel grey/steel grey			
		QGD palm-green/palm-green						QGC sand beige/sand beige			
9	955 555 189 03	lining b-pillar cloth	/L 05	1	I4QF/9AB/9AD	(9)	955 555 192 03	lining b-pillar cloth	/R	1	I4QF/9AH
		QGA satin black/steel grey						QGA satin black/steel grey			
		QGB steel grey/steel grey						QGB steel grey/steel grey			
		QGC sand beige/sand beige						QGC sand beige/sand beige			
		QGD palm-green/palm-green						QGD palm-green/palm-green			
(9)	955 555 190 03	lining b-pillar cloth	-05	1	I4QF/9AB/9AD	9	955 555 193 03	lining b-pillar alcantara	/L -05	1	I3QT/9AB/9AD
		QGA satin black/steel grey						QGE satin black/black			
		QGB steel grey/steel grey						QGF steel grey/steel grey			
		QGC sand beige/sand beige						QGG sand beige/sand beige			
		QGD palm-green/palm-green						QGH palm-green/palm-green			
(9)	955 555 189 04	lining b-pillar cloth	/L 06-	1	I4QF/9AB/9AD	9	955 555 193 04	lining b-pillar alcantara	/L 06-	1	I3QT/9AB/9AD
		QGA satin black/steel grey						QGE satin black/black			
		QGB steel grey/steel grey						QGF steel grey/steel grey			
		QGC sand beige/sand beige						QGG sand beige/sand beige			
		QGD palm-green/palm-green						QGH palm-green/palm-green			
(9)	955 555 190 04	lining b-pillar cloth	/R 06-	1	I4QF/9AB/9AD	(9)	955 555 194 03	lining b-pillar alcantara	/R -05	1	I3QT/9AB/9AD
		QGA satin black/steel grey						QGE satin black/black			
		QGB steel grey/steel grey						QGF steel grey/steel grey			
		QGC sand beige/sand beige						QGG sand beige/sand beige			
		QGD palm-green/palm-green						QGH palm-green/palm-green			
9	955 555 191 03	lining b-pillar cloth	/L	1	I4QF/9AH						

Model	Year	MG	SG	Illustration	Restrictions	Update	18:54	16.08.2006	PORSCHE	PET	PORSCHE
9pa	06	8	07	807-25		203					

Pos	Part Number	Name	Remarks	Qty	Model	Pos	Part Number	Name	Remarks	Qty	Model
(9)	955 555 194 04	lining b-pillar alcantara	/R 06-	1	I3QT/9AB/9AD		QGH	palm-green/palm-green			
	QGE	satin black/black				(9)	955 555 198 03	lining b-pillar alcantara	/R -05	1	I4QF/9AB/9AD
	QGF	steel grey/steel grey					QGE	satin black/black			
	QGG	sand beige/sand beige					QGF	steel grey/steel grey			
	QGH	palm-green/palm-green					QGG	sand beige/sand beige			
9	955 555 195 03	lining b-pillar alcantara	/L	1	I3QT/9AH		QGH	palm-green/palm-green			
	QGE	satin black/black				(9)	955 555 198 04	lining b-pillar alcantara	/R 06-	1	I4QF/9AB/9AD
	QGF	steel grey/steel grey					QGE	satin black/black			
	QGG	sand beige/sand beige					QGF	steel grey/steel grey			
	QGH	palm-green/palm-green					QGG	sand beige/sand beige			
(9)	955 555 196 03	lining b-pillar alcantara	/R	1	I3QT/9AH		QGH	palm-green/palm-green			
	QGE	satin black/black				9	955 555 199 03	lining b-pillar alcantara	/L	1	I4QF/9AH
	QGF	steel grey/steel grey					QGE	satin black/black			
	QGG	sand beige/sand beige					QGF	steel grey/steel grey			
	QGH	palm-green/palm-green					QGG	sand beige/sand beige			
9	955 555 197 03	lining b-pillar alcantara	/L -05	1	I4QF/9AB/9AD		QGH	palm-green/palm-green			
	QGE	satin black/black				(9)	955 555 200 03	lining b-pillar alcantara	/R	1	I4QF/9AH
	QGF	steel grey/steel grey					QGE	satin black/black			
	QGG	sand beige/sand beige					QGF	steel grey/steel grey			
	QGH	palm-green/palm-green					QGG	sand beige/sand beige			
9	955 555 197 04	lining b-pillar alcantara	/L 06-	1	I4QF/9AB/9AD		QGH	palm-green/palm-green			
	QGE	satin black/black				10	N 104 829 01	screw M 5 X 25 mount b-pillar	-05	2	
	QGF	steel grey/steel grey									
	QGG	sand beige/sand beige									

Model	Year	MG	SG	Illustration	Restrictions	Update	18:54	16.08.2006	PORSCHE	PET	PORSCHE
9pa	06	8	07	807-25		203					

Pos	Part Number	Name	Remarks	Qty	Model	Pos	Part Number	Name	Remarks	Qty	Model
10	N 106 768 01	screw M 5 X 25 mount b-pillar	06-	2		11	955 555 313 01	slide lining b-pillar upper	/L -04	1	I4QF
11	955 555 311 01	slide lining b-pillar upper	/L -04	1	I3QT		01C	satin black			
		01C satin black					6C6	sand beige			
		6C6 sand beige					6H8	palmgreen			
		6H8 palmgreen					7A8	steel grey			
		7A8 steel grey				11	955 555 313 02	slide lining b-pillar upper	/L 05-	1	I4QF
11	955 555 311 02	slide lining b-pillar upper	/L 05-	1	I3QT		01C	satin black			
		01C satin black					6C6	sand beige			
		6C6 sand beige					6H8	palmgreen			
		6H8 palmgreen					7A8	steel grey			
		7A8 steel grey				(11)	955 555 314 01	slide lining b-pillar upper	/R -04	1	I4QF
(11)	955 555 312 01	slide lining b-pillar upper	/R -04	1	I3QT		01C	satin black			
		01C satin black					6C6	sand beige			
		6C6 sand beige					6H8	palmgreen			
		6H8 palmgreen					7A8	steel grey			
		7A8 steel grey				(11)	955 555 314 02	slide lining b-pillar upper	/R 05-	1	I4QF
(11)	955 555 312 02	slide lining b-pillar upper	/R 05-	1	I3QT		01C	satin black			
		01C satin black					6C6	sand beige			
		6C6 sand beige					6H8	palmgreen			
		6H8 palmgreen					7A8	steel grey			
		7A8 steel grey				12	955 555 209 00	side vent lining b-pillar upper	/L -05	1	
		01C satin black					5Y2	palmgreen			
		6C6 sand beige									
		6H8 palmgreen									
		7A8 steel grey									

Model	Year	MG	SG	Illustration	Restrictions	Update	18:54	16.08.2006	PORSCHE	PET	PORSCHE
9pa	06	8	07	807-25		203					

Pos	Part Number	Name	Remarks	Qty	Model	Pos	Part Number	Name	Remarks	Qty	Model	
12	5Z1	sand beige				(12)	955 555 216 00	side vent lining b-pillar upper	/R 06-	1	I9AB/9AD	
	6N3	black mat					5Y2	palmgreen				
	7BA	steel grey					5Z1	sand beige				
	955 555 209 00	side vent lining b-pillar upper	/L 06-	1	I9AH		6N3	black mat				
	5Y2	palmgreen					7BA	steel grey				
	5Z1	sand beige					13	955 555 297 00	gasket air inlet lining b-pillar	/L	1	I9AB/9AD
	6N3	black mat						01C	satin black			
7BA	steel grey				6C6	sand beige						
(12)	955 555 215 00	side vent lining b-pillar upper	/L 06-	1	I9AB/9AD	6H8		palmgreen				
(12)	5Y2	palmgreen				7A8	steel grey					
	5Z1	sand beige				(13)	955 555 298 00	gasket air inlet lining b-pillar	/R	1	I9AB/9AD	
	6N3	black mat					01C	satin black				
	7BA	steel grey					6C6	sand beige				
	(12)	955 555 210 00	side vent lining b-pillar upper	/R -05	1			6H8	palmgreen			
5Y2	palmgreen				7A8		steel grey					
(12)	5Z1	sand beige				14	955 555 437 00	sticker airbag			2	
	6N3	black mat					01C	satin black				
	7BA	steel grey					6C6	sand beige				
	(12)	955 555 210 00	side vent lining b-pillar upper	/R 06-	1		I9AH	6H8	palmgreen			
	5Y2	palmgreen					7A8	steel grey				
(12)	5Z1	sand beige				15	955 555 276 00	clip mount lining b-pillar			8	
	6N3	black mat										
	7BA	steel grey										

Model	Year	MG	SG	Illustration	Restrictions	Update	18:54	16.08.2006	PORSCHE	PET	PORSCHE
9pa	06	8	07	807-25		203					

Pos	Part Number	Name	Remarks	Qty	Model	Pos	Part Number	Name	Remarks	Qty	Model
16	955 555 221 02	lining c-pillar upper cloth	/L -04	1			5E6	black			
	6K1	sand beige					5G6	sand beige			
	6L2	steel grey					5L6	palmgreen			
	6M3	palmgreen				(16)	955 555 224 03	lining c-pillar upper alcantara	/R	1	
	K90	black					5E5	steel grey			
16	955 555 221 03	lining c-pillar upper cloth	/L 05-	1			5E6	black			
	6K1	sand beige					5G6	sand beige			
	6L2	steel grey					5L6	palmgreen			
	6M3	palmgreen				17	N 104 829 01	screw M 5 X 25 mount c-pillar upper	-05	2	
	K90	black									
(16)	955 555 222 02	lining c-pillar upper cloth	/R -04	1		17	N 106 768 01	screw M 5 X 25 mount c-pillar upper	06-	2	
	6K1	sand beige									
	6L2	steel grey				18	955 555 315 01	slide lining c-pillar upper	/L -04	1	
	6M3	palmgreen					01C	satin black			
	K90	black					6C6	sand beige			
(16)	955 555 222 03	lining c-pillar upper cloth	/R 05-	1			6H8	palmgreen			
	6K1	sand beige					7A8	steel grey			
	6L2	steel grey				18	955 555 315 02	slide lining c-pillar upper	/L 05-	1	
	6M3	palmgreen					01C	satin black			
	K90	black					6C6	sand beige			
16	955 555 223 03	lining c-pillar upper alcantara	/L	1			6H8	palmgreen			
	5E5	steel grey					7A8	steel grey			

Model	Year	MG	SG	Illustration	Restrictions	Update	18:54	16.08.2006	PORSCHE	PET	PORSCHE
9pa	06	8	07	807-25		203					

Pos	Part Number	Name	Remarks	Qty	Model	Pos	Part Number	Name	Remarks	Qty	Model
(18)	955 555 316 01	slide lining c-pillar upper	/R -04	1			5E5	steel grey			
	01C	satin black					5E6	black			
	6C6	sand beige					5G6	sand beige			
	6H8	palmgreen					5L6	palmgreen			
	7A8	steel grey				(21)	955 555 252 02	lining d-pillar alcantara	/R -05	1	I8RV
(18)	955 555 316 02	slide lining c-pillar upper	/R 05-	1			5E5	steel grey			
	01C	satin black					5E6	black			
	6C6	sand beige					5G6	sand beige			
	6H8	palmgreen					5L6	palmgreen			
	7A8	steel grey				(21)	955 555 252 03	lining d-pillar alcantara	/R 06-	1	I8RV
19	955 555 437 00	sticker airbag		2			5E5	steel grey			
	01C	satin black					5E6	black			
	6C6	sand beige					5G6	sand beige			
	6H8	palmgreen					5L6	palmgreen			
	7A8	steel grey				21	955 555 253 02	lining d-pillar alcantara	/L -05	1	I9VL
20	955 555 277 00	clip mount lining c-pillar upper		2			5E5	steel grey			
							5E6	black			
							5G6	sand beige			
							5L6	palmgreen			
21	955 555 251 02	lining d-pillar alcantara	/L -05	1	I8RV	21	955 555 253 03	lining d-pillar alcantara	/L 06-	1	I9VL
	5E5	steel grey					5E5	steel grey			
	5E6	black					5E6	black			
	5G6	sand beige					5G6	sand beige			
	5L6	palmgreen					5L6	palmgreen			
21	955 555 251 03	lining d-pillar alcantara	/L 06-	1	I8RV						

Model	Year	MG	SG	Illustration	Restrictions	Update	18:54	16.08.2006	PORSCHE	PET	PORSCHE
9pa	06	8	07	807-25		203					

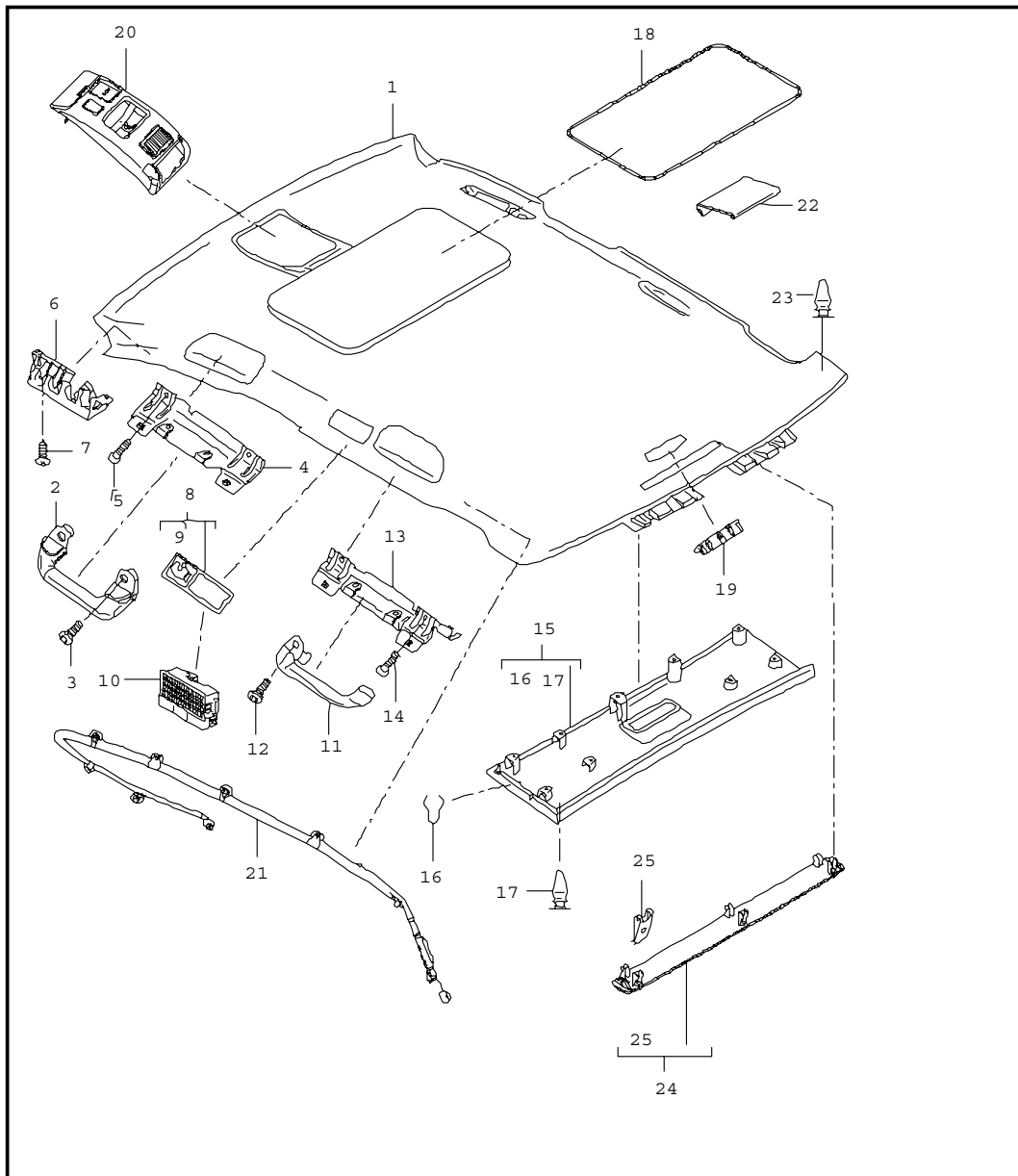
Pos	Part Number	Name	Remarks	Qty	Model	Pos	Part Number	Name	Remarks	Qty	Model
(21)	955 555 254 02	lining d-pillar alcantara	/R -05	1	I9VL		K90	black			
	5E5	steel grey				(21)	955 555 258 03	lining d-pillar cloth	/R	1	I9VL
	5E6	black					6K1	sand beige			
	5G6	sand beige					6L2	steel grey			
	5L6	palmgreen					6M3	palmgreen			
(21)	955 555 254 03	lining d-pillar alcantara	/R 06-	1	I9VL		K90	black			
	5E5	steel grey				22	955 555 276 00	clip mount lining d-pillar		7	
	5E6	black									
	5G6	sand beige				23	955 555 277 00	clip mount lining d-pillar		4	
	5L6	palmgreen									
21	955 555 255 03	lining d-pillar cloth	/L	1	I8RV	24	955 555 149 00	loudspeaker grille lining d-pillar	/L	1	I9VL
	6K1	sand beige					7BA	steel grey			
	6L2	steel grey					5Y2	palmgreen			
	6M3	palmgreen					5Z1	sand beige			
	K90	black					6N3	black mat			
(21)	955 555 256 03	lining d-pillar cloth	/R	1	I8RV	(24)	955 555 150 00	loudspeaker grille lining d-pillar	/R	1	I9VL
	6K1	sand beige					7BA	steel grey			
	6L2	steel grey					5Y2	palmgreen			
	6M3	palmgreen					5Z1	sand beige			
	K90	black					6N3	black mat			
21	955 555 257 03	lining d-pillar cloth	/L	1	I9VL	25	N 106 021 01	oval-head screw 4,0 X 10 mount loudspeaker grille		4	I9VL
	6K1	sand beige									
	6L2	steel grey				26	955 555 687 01	eye d-pillar for luggage net	/L	1	
	6M3	palmgreen									

Model	Year	MG	SG	Illustration	Restrictions	Update	18:54	16.08.2006	PORSCHE	PET	PORSCHE
9pa	06	8	07	807-25		203					

Pos	Part Number	Name	Remarks	Qty	Model	Pos	Part Number	Name	Remarks	Qty	Model
	01C	satin black				(31)	955 555 778 00	deformation element c-pillar	/R 05-	1	I3FU
	6C6	sand beige				32	955 555 779 00	deformation element d-pillar	/L	1	
	6H8	palmgreen				(32)	955 555 780 00	deformation element d-pillar	/R	1	
	7A8	steel grey				33	N 908 195 01	lens-head screw ST 4,8 X 13		X	
(26)	955 555 688 01	eye d-pillar for luggage net	/R	1							
	01C	satin black									
	6C6	sand beige									
	6H8	palmgreen									
	7A8	steel grey									
27	N 908 429 03	screw M 6 X 12 mount eye for luggage net		2							
28	955 555 334 00	bush lining a-pillar		4							
29	955 551 787 01	retaining clip a-pillar lower		2							
30	955 555 771 00	deformation element b-pillar	/L	1	I3FA/3FE						
(30)	955 555 772 00	deformation element b-pillar	/R	1	I3FA/3FE						
(30)	955 555 773 00	deformation element b-pillar	/L 05-	1	I3FU						
(30)	955 555 774 00	deformation element b-pillar	/R 05-	1	I3FU						
31	955 555 775 00	deformation element c-pillar	/L	1	I3FA/3FE						
(31)	955 555 776 00	deformation element c-pillar	/R	1	I3FA/3FE						
(31)	955 555 777 00	deformation element c-pillar	/L 05-	1	I3FU						

- - - E N D - - -

Model	Year	MG	SG	Illustration	Restrictions	Update	18:54	16.08.2006	PORSCHE	PET	PORSCHE
9pa	06	8	07	807-30		203					



Pos	Part Number	Name	Remarks	Qty	Model
(1)	955 555 011 00	rooflining accessories		1	I3FA/6NJ/7X0
		rooflining cloth			
		6K1 sand beige			
		6L2 steel grey			
		6M3 palmgreen			
(1)	955 555 011 00	rooflining cloth	__05-06	1	I3FA/6NJ/7X3
		6K1 sand beige			
		6L2 steel grey			
		6M3 palmgreen			
(1)	955 555 012 00	rooflining cloth		1	I3FA/6NJ/7X2
		6K1 sand beige			
		6L2 steel grey			
		6M3 palmgreen			
(1)	955 555 012 00	rooflining cloth	__05-06	1	I3FA/6NJ/7X1
		6K1 sand beige			
		6L2 steel grey			
		6M3 palmgreen			
(1)	955 555 013 00	rooflining cloth		1	I3FE/7X0
		6K1 sand beige			
		6L2 steel grey			
		6M3 palmgreen			
(1)	955 555 013 00	rooflining cloth	__05-06	1	I3FE/7X3
		6K1 sand beige			
		6L2 steel grey			
		6M3 palmgreen			

Model	Year	MG	SG	Illustration	Restrictions	Update	18:54	16.08.2006	PORSCHE	PET	PORSCHE
9pa	06	8	07	807-30		203					

Pos	Part Number	Name	Remarks	Qty	Model	Pos	Part Number	Name	Remarks	Qty	Model
(1)	955 555 014 00	rooflining cloth		1	I3FE/7X2		5E6	black			
	6K1	sand beige					5G6	sand beige			
	6L2	steel grey					5L6	palmgreen			
	6M3	palmgreen				(1)	955 555 017 00	rooflining alcantara	___05-06	1	I3FA/6NN/7X3
(1)	955 555 014 00	rooflining cloth	___05-06	1	I3FE/7X1		5E5	steel grey			
	6K1	sand beige					5E6	black			
	6L2	steel grey					5G6	sand beige			
	6M3	palmgreen					5L6	palmgreen			
(1)	955 555 015 00	rooflining cloth	05-	1	I3FU/6NJ/7X0	(1)	955 555 018 00	rooflining alcantara		1	I3FA/6NN/7X2
	6K1	sand beige					5E5	steel grey			
	6L2	steel grey					5E6	black			
	6M3	palmgreen					5G6	sand beige			
(1)	955 555 015 00	rooflining cloth	___05-06	1	I3FU/6NJ/7X3	(1)	955 555 018 00	rooflining alcantara	___05-06	1	I3FA/6NN/7X1
	6K1	sand beige					5E5	steel grey			
	6L2	steel grey					5E6	black			
	6M3	palmgreen					5G6	sand beige			
(1)	955 555 016 00	rooflining cloth	05-	1	I3FU/6NJ/7X2		5L6	palmgreen			
	6K1	sand beige				(1)	955 555 019 00	rooflining alcantara		1	I3FE/7X0
	6L2	steel grey					5E5	steel grey			
	6M3	palmgreen					5E6	black			
(1)	955 555 016 00	rooflining cloth	___05-06	1	I3FU/6NJ/7X1		5G6	sand beige			
	6K1	sand beige					5L6	palmgreen			
	6L2	steel grey				(1)	955 555 019 00	rooflining alcantara	___05-06	1	I3FE/7X3
	6M3	palmgreen					5E5	steel grey			
(1)	955 555 017 00	rooflining alcantara		1	I3FA/6NN/7X0		5E6	black			
	5E5	steel grey					5G6	sand beige			

Model	Year	MG	SG	Illustration	Restrictions	Update	18:54	16.08.2006	PORSCHE	PET	PORSCHE
9pa	06	8	07	807-30		203					

Pos	Part Number	Name	Remarks	Qty	Model	Pos	Part Number	Name	Remarks	Qty	Model
(1)	955 555 020 00	5L6 palmgreen rooflining alcantara		1	I3FE/7X2	(1)	955 555 022 00	rooflining alcantara	05-06	1	I3FU/6NN/7X1
		5E5 steel grey					5E5	steel grey			
		5E6 black					5E6	black			
		5G6 sand beige					5G6	sand beige			
		5L6 palmgreen					5L6	palmgreen			
(1)	955 555 020 00	rooflining alcantara	05-06	1	I3FE/7X1	2	955 555 607 00	handle front	/L	1	
		5E5 steel grey					01C	satin black			
		5E6 black					6C6	sand beige			
		5G6 sand beige					6H8	palmgreen			
		5L6 palmgreen					7A8	steel grey			
(1)	955 555 021 00	rooflining alcantara	05-	1	I3FU/6NN/7X0	(2)	955 555 608 00	handle front	/R	1	
		5E5 steel grey					01C	satin black			
		5E6 black					6C6	sand beige			
		5G6 sand beige					6H8	palmgreen			
		5L6 palmgreen					7A8	steel grey			
(1)	955 555 021 00	rooflining alcantara	05-06	1	I3FU/6NN/7X3	3	N 105 963 01	screw M 5 X 25	-05	4	
		5E5 steel grey				3	N 105 963 02	screw M 5 X 25	06-	4	
		5E6 black				4	955 555 421 00	support front	/L	1	I3FA/3FE
		5G6 sand beige				(4)	955 555 422 00	support front	/R	1	I3FA/3FE
		5L6 palmgreen				(4)	955 555 423 00	support front	/L 05-	1	I3FU
(1)	955 555 022 00	rooflining alcantara	05-	1	I3FU/6NN/7X2	(4)	955 555 424 00	support front	/R 05-	1	I3FU
		5E5 steel grey				5	N 104 514 03	lens-head screw M 6 X 16	-05	8	
		5E6 black				5	N 104 514 04	lens-head screw M 6 X 16	06-	8	
		5G6 sand beige									
		5L6 palmgreen									

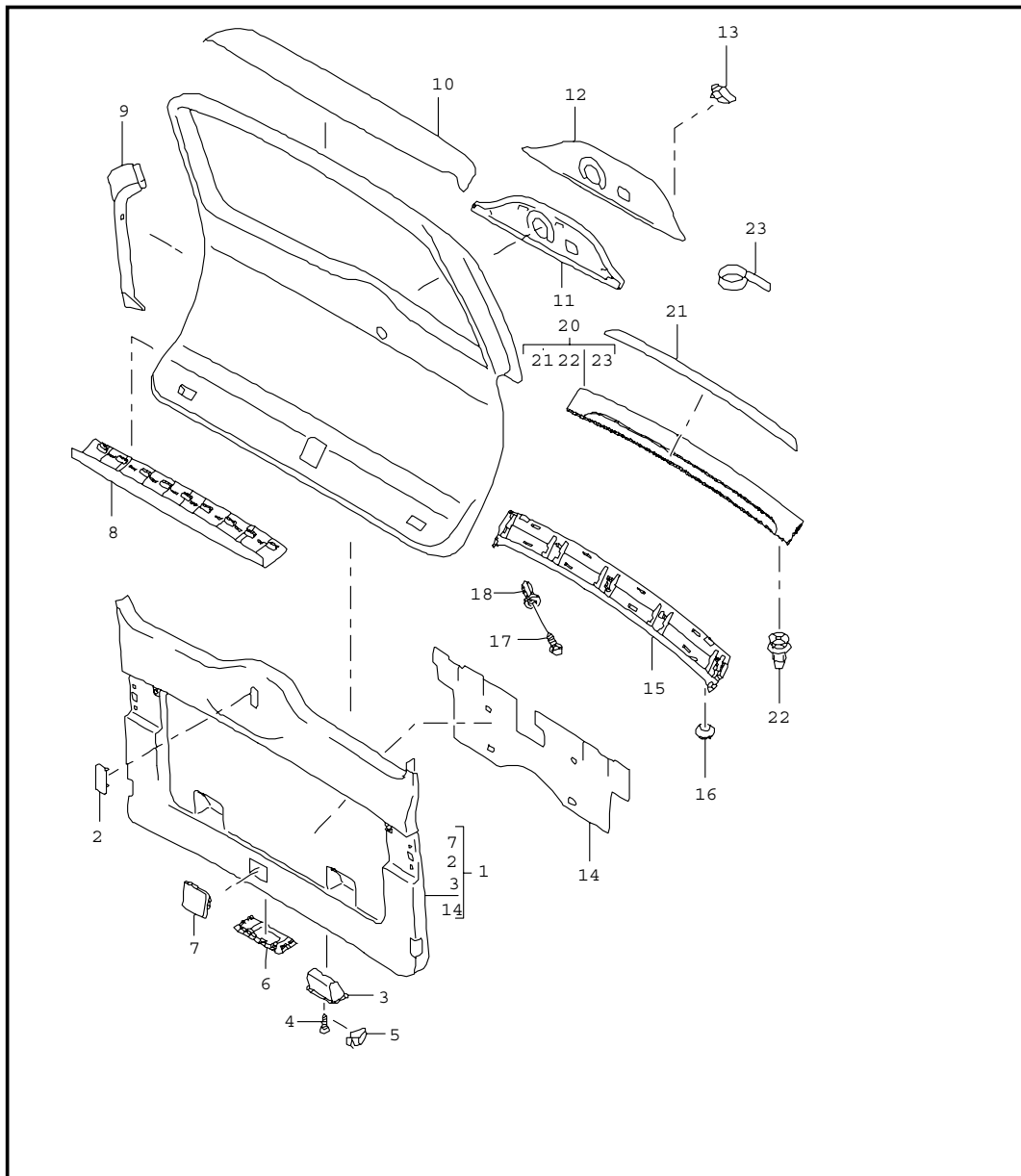
Model	Year	MG	SG	Illustration	Restrictions	Update	18:54	16.08.2006	PORSCHE	PET	PORSCHE
9pa	06	8	07	807-30		203					

Pos	Part Number	Name	Remarks	Qty	Model	Pos	Part Number	Name	Remarks	Qty	Model
6	955 555 695 00	deformation element front	/L	1	I3FE/3FU	10	--- --- --- --	reading light rear see group 9/03/04		1	
(6)	955 555 696 00	deformation element front	/R	1	I3FE/3FU						
6	955 555 697 00	deformation element front	/L	1	I3FA	11	955 555 605 00	handle rear	/L	1	
(6)	955 555 698 00	deformation element front	/R	1	I3FA		01C	satin black			
							6C6	sand beige			
7	N 102 473 02	tapping screw ST 4,8 X 16		4			6H8	palmgreen			
8	955 555 677 00	eye	/L	1	I3FA/3FE		7A8	steel grey			
	01C	satin black				(11)	955 555 606 00	handle rear	/R	1	
	6C6	sand beige					01C	satin black			
	6H8	palmgreen					6C6	sand beige			
	7A8	steel grey					6H8	palmgreen			
(8)	955 555 678 00	eye	/R	1	I3FA/3FE		7A8	steel grey			
	01C	satin black				12	N 105 963 01	screw M 5 X 25	-05	4	
	6C6	sand beige				12	N 105 963 02	screw M 5 X 25	06-	4	
	6H8	palmgreen				13	955 555 425 00	support rear	/L	1	I3FA/3FE
	7A8	steel grey				(13)	955 555 426 00	support rear	/R	1	I3FA/3FE
(8)	955 555 781 00	eye	/L 05-	1	I3FU	(13)	955 555 427 00	support rear	/L 05-	1	I3FU
	01C	satin black				(13)	955 555 428 00	support rear	/R 05-	1	I3FU
	6C6	sand beige				14	N 104 514 03	lens-head screw M 6 X 16	-05	8	
	6H8	palmgreen				14	N 104 514 04	lens-head screw M 6 X 16	06-	8	
	7A8	steel grey				15	955 555 617 01	strip rear cloth	-05	1	I6NJ/6NL/6NQ
(8)	955 555 782 00	eye	/R 05-	1	I3FU		6K1	sand beige			
	01C	satin black					6L2	steel grey			
	6C6	sand beige									
	6H8	palmgreen									
	7A8	steel grey									
9	955 555 784 00	expansion rivet mount eye		1							

Model	Year	MG	SG	Illustration	Restrictions	Update	18:54	16.08.2006	PORSCHE	PET	PORSCHE
9pa	06	8	07	807-30		203					

Pos	Part Number	Name	Remarks	Qty	Model	Pos	Part Number	Name	Remarks	Qty	Model
	6M3	palmgreen				21	955 803 069 02	airbag unit	/L	1	
15	955 555 617 02	strip rear cloth	06-	1	I6NJ/6NL/6NQ	21	955 803 070 02	airbag unit	/R	1	
	6K1	sand beige				--	N 908 074 03	oval-head screw M 5 X 18 for mount airbag unit		X	
	6L2	steel grey				(22)	955 555 525 00	clamp		15	I3FE
(15)	955 555 618 01	strip rear alcantara	-05	1	I6NA/6NF/6NN	22	955 555 615 00	clamp frame	04-	2	I3FU
	5E5	steel grey				23	955 555 663 00	clip mount rooflining		2	
	5E6	black				24	955 555 071 00	cover control part	05-	1	I3FU
	5G6	sand beige					01C	satin black			
(15)	955 555 618 02	strip rear alcantara	06-	1	I6NA/6NF/6NN		6C6	sand beige			
	5E5	steel grey					6H8	palmgreen			
	5E6	black				25	955 555 283 00	clamp for mount cover control part	05-	1	I3FU
	5G6	sand beige					7A8	steel grey			
	5L6	palmgreen				26	955 555 633 00	clamp mount rooflining	05-	23	I3FU
16	955 555 277 00	clip		2							
17	955 551 276 00	clip		9							
18	955 555 561 00	frame		1	I3FE						
	01C	satin black									
(18)	955 555 563 01	frame	05-	2	I3FU						
	A03	black									
19	--- --- --- ---	park distance control rear see group 9/06/00		1							
20	--- --- --- ---	bracket roof see group 9/03/06		1							
								- - - E N D - - -			

Model	Year	MG	SG	Illustration	Restrictions	Update	18:54	16.08.2006	PORSCHE	PET	PORSCHE
9pa	06	8	07	807-35		203					



Pos	Part Number	Name	Remarks	Qty	Model
1	955 555 602 01	linings rear lid tufting velour		1	I3LD
		PCE black/black			
		PCF stone grey/steel grey			
		PCG havanna/sand beige			
		PCH palm-green/palm-green			
(1)	955 555 603 01	lining rear lid pearl velour		1	I3LH
		PCJ black/black			
		PCK stone grey/steel grey			
		PCL havanna/sand beige			
		PCM palm-green/palm-green			
		RKS sand beige/sand beige	04-		
(1)	955 555 603 01	lining rear lid pearl velour	-04	1	I3LE
		PCJ black/black			
		PCK stone grey/steel grey			
		PCL havanna/sand beige			
		PCM palm-green/palm-green			
		RKS sand beige/sand beige	04-		
--	955 555 278 00	clip mount rear lid		8	
--	955 555 279 00	fixing clip mount rear lid		3	
--	955 555 208 00	clamp mount rear lid		4	
2	955 555 140 00	cap emergency operation		1	

Model	Year	MG	SG	Illustration	Restrictions	Update	18:54	16.08.2006	PORSCHE	PET	PORSCHE
9pa	06	8	07	807-35		203					

Pos	Part Number	Name	Remarks	Qty	Model	Pos	Part Number	Name	Remarks	Qty	Model
	A03	black					A03	black			
	5V7	stone grey					7BA	steel grey			
	5Y2	palmgreen					5Y2	palmgreen			
	5Y9	havanna					5Z1	sand beige			
	5Z1	sand beige	04-			9	955 555 671 01	lining rear lid lateral inner	/L 06-	1	
3	955 555 593 00	finger plate		1							
	01C	satin black									
4	N 104 571 01	screw ST 4,2 X 13,0 mount finger plate		3			A03	black			
							7BA	steel grey			
							5Y2	palmgreen			
5	N 905 410 01	expander nut CST 4,2 X 7,3 mount finger plate		3		(9)	955 555 672 00	lining rear lid lateral inner	/R -05	1	
6	955 555 520 00	covering for lock rear lid lock		1							
	01C	satin black					A03	black			
7	955 555 747 00	cover emergency operation		1			7BA	steel grey			
							5Y2	palmgreen			
	01C	satin black					5Z1	sand beige			
	6C6	sand beige				(9)	955 555 672 01	lining rear lid lateral inner	/R 06-	1	
	6H8	palmgreen									
	7A8	steel grey									
8	955 555 685 01	lining rear lid upper inner		1			A03	black			
							7BA	steel grey			
	A03	black					5Y2	palmgreen			
	7BA	steel grey					5Z1	sand beige			
	5Y2	palmgreen				--	955 555 276 00	clip for mount lining rear lid lateral		2	
	5Z1	sand beige									
9	955 555 671 00	lining rear lid lateral inner	/L -05	1							

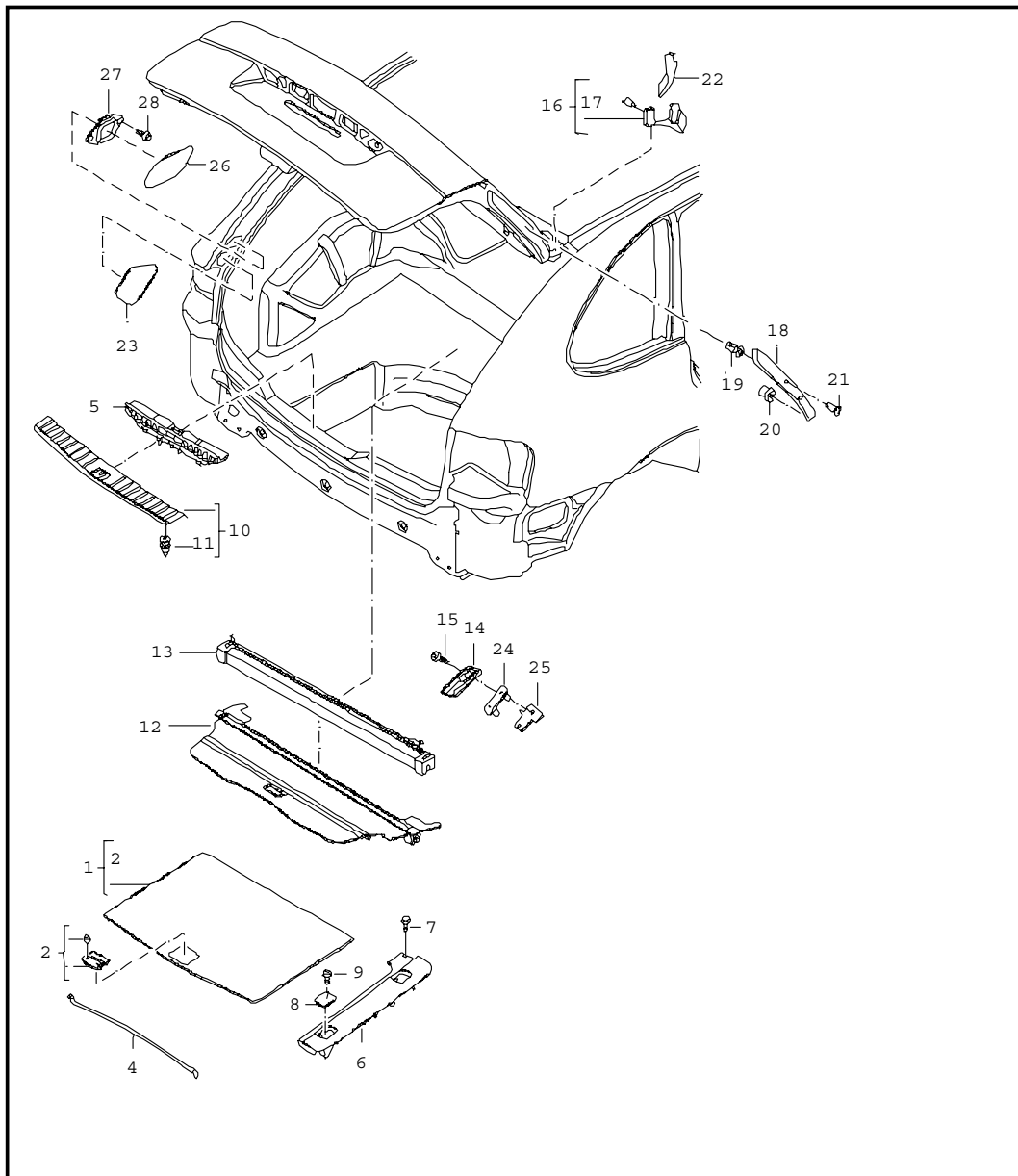
Model	Year	MG	SG	Illustration	Restrictions	Update	18:54	16.08.2006	PORSCHE	PET	PORSCHE
9pa	06	8	07	807-35		203					

Pos	Part Number	Name	Remarks	Qty	Model	Pos	Part Number	Name	Remarks	Qty	Model
--	955 555 208 00	clamp for mount lining rear lid lateral		2		16	955 559 363 01	cap for rear window		2	
							01C	satin black			
10	955 555 609 02	lining rear lid upper outer		1		17	N 908 479 01	hexagon-head bolt M 6 X 15		5	
	01C	black				18	N 908 051 01	blind rivet nut for support moulding rear lid		5	
11	955 555 827 00	cover wiper motor		1		20	955 555 355 02	moulding complete		1	IQJ2/1G1/1G6 I1G8/7X0/7X2
	A03	black					G2X	prime coated			
	5V7	stone grey				20	955 555 357 00	moulding complete	05-	1	IQJ4/1G1/1G6 1G8/7X0/7X2
	5Y2	palmgreen					G2X	prime coated			
	5Y9	havanna					G2X	prime coated			
	5Z1	sand beige	04-			(20)	955 555 356 02	moulding complete		1	IQJ2/1G3/ I7X0/7X2
12	955 555 829 00	trim rear window wiper		1			G2X	prime coated			
	A03	black				(20)	955 555 358 00	moulding complete	05-	1	IQJ4/1G3/ I7X0/7X2
	5V7	stone grey					G2X	prime coated			
	5Y2	palmgreen				(20)	955 555 359 00	moulding complete	05-	1	IQJ2/7X1/7X3
	5Y9	havanna					G2X	prime coated			
	5Z1	sand beige	04-				G2X	prime coated			
13	955 555 646 00	fixing clip cover wiper motor		2		(20)	955 555 360 00	moulding complete	05-	1	IQJ4/7X1/7X3
14	955 556 591 00	insulation rear lid		1			G2X	prime coated			
15	955 555 843 03	support moulding		1	I7X0/7X2	21	955 555 909 01	moulding upper part	-04	1	
	01C	satin black				21	955 555 909 02	moulding upper part	05-	1	IQJ2/7X0/7X2
(15)	955 555 844 00	support moulding	05-	1	I7X1/7X3		6X8	chrome			
	01C	satin black									

Model	Year	MG	SG	Illustration	Restrictions	Update	18:54	16.08.2006	PORSCHE	PET	PORSCHE
9pa	06	8	07	807-35		203					

Pos	Part Number	Name	Remarks	Qty	Model	Pos	Part Number	Name	Remarks	Qty	Model
21	955 555 909 02	moulding upper part	05-	1	IQJ2/7X1/7X3						
	6X8	chrome									
21	955 555 910 00	moulding upper part	05-	1	IQJ4/7X0/7X2						
	VV1	black mat									
21	955 555 910 00	moulding upper part	05-	1	IQJ4/7X1/7X3						
	VV1	black mat									
22	955 555 794 00	clip mount reinforcement strip		5							
23	955 555 045 00	adhesive tape double sided		2							
		- - - E N D - - -									

Model	Year	MG	SG	Illustration	Restrictions	Update	18:55	16.08.2006	PORSCHE	PET	PORSCHE
9pa	06	8	07	807-40		203					



Pos	Part Number	Name	Remarks	Qty	Model
1	955 551 146 01	linings luggage compartment accessories spare wheel covering tufting velour		1	I3GE/9AB/9AD
	7H1	black			
	7J2	steel grey			
	7K3	sand beige			
	7L4	palmgreen			
(1)	955 551 148 01	spare wheel covering tufting velour		1	I3GE/9AH
	7H1	black			
	7J2	steel grey			
	7K3	sand beige			
	7L4	palmgreen			
(1)	955 551 147 01	spare wheel covering pearl velour		1	I3GE/9AB/9AD
	8B2	black			
	8C3	steel grey			
	8D4	sand beige			
	8E5	palmgreen			
(1)	955 551 149 01	spare wheel covering pearl velour		1	I3GE/9AH
	8B2	black			
	8C3	steel grey			
	8D4	sand beige			
	8E5	palmgreen			
2	955 551 115 00	handle spare wheel covering complete		1	
	01C	satin black			
	6C6	sand beige			
	6H8	palmgreen			

Model	Year	MG	SG	Illustration	Restrictions	Update	18:55	16.08.2006	PORSCHE	PET	PORSCHE
9pa	06	8	07	807-40		203					

Pos	Part Number	Name	Remarks	Qty	Model	Pos	Part Number	Name	Remarks	Qty	Model
	7A8	steel grey					8E5	palmgreen			
3	U - - - - -	screw		4		(6)	955 551 533 00	base luggage compartment pearl velour	/L	1	I3GE/9AH
4	955 551 195 00	hood stay for spare wheel covering		1			8B2	black			
5	955 551 225 01	support for locking device spare wheel covering		1	I3GE		8C3	steel grey			
6	955 551 527 00	base luggage compartment tufting velour	/L	1	I3GE/9AB/9AD	(6)	955 551 530 00	base luggage compartment pearl velour	/R	1	I3GE
	7H1	black					8B2	black			
	7J2	steel grey					8C3	steel grey			
	7K3	sand beige					8D4	sand beige			
	7L4	palmgreen					8E5	palmgreen			
(6)	955 551 531 00	base luggage compartment tufting velour	/L	1	I3GE/9AH	7	N 100 515 02	screw M 6 X 15 mount base luggage compartment	-05	2	
	7H1	black									
	7J2	steel grey				7	N 100 829 08	screw m 6 X 16 mount base luggage compartment	06-	2	
	7K3	sand beige									
	7L4	palmgreen									
(6)	955 551 528 00	base luggage compartment tufting velour	/R	1	I3GE	8	955 551 203 00	eye luggage compartment		4	
	7H1	black					2ZZ	chrome			
	7J2	steel grey				9	N 105 559 01	countersunk-head screw M 6 X 40 mount eye luggage compartment	-05	8	
	7K3	sand beige									
	7L4	palmgreen									
(6)	955 551 529 00	base luggage compartment pearl velour	/L	1	I3GE/9AB/9AD	9	N 105 559 02	countersunk-head screw M 6 X 40 mount eye luggage compartment	06-	8	
	8B2	black									
	8C3	steel grey				10	955 551 459 02	cover lock carrier		1	
	8D4	sand beige									

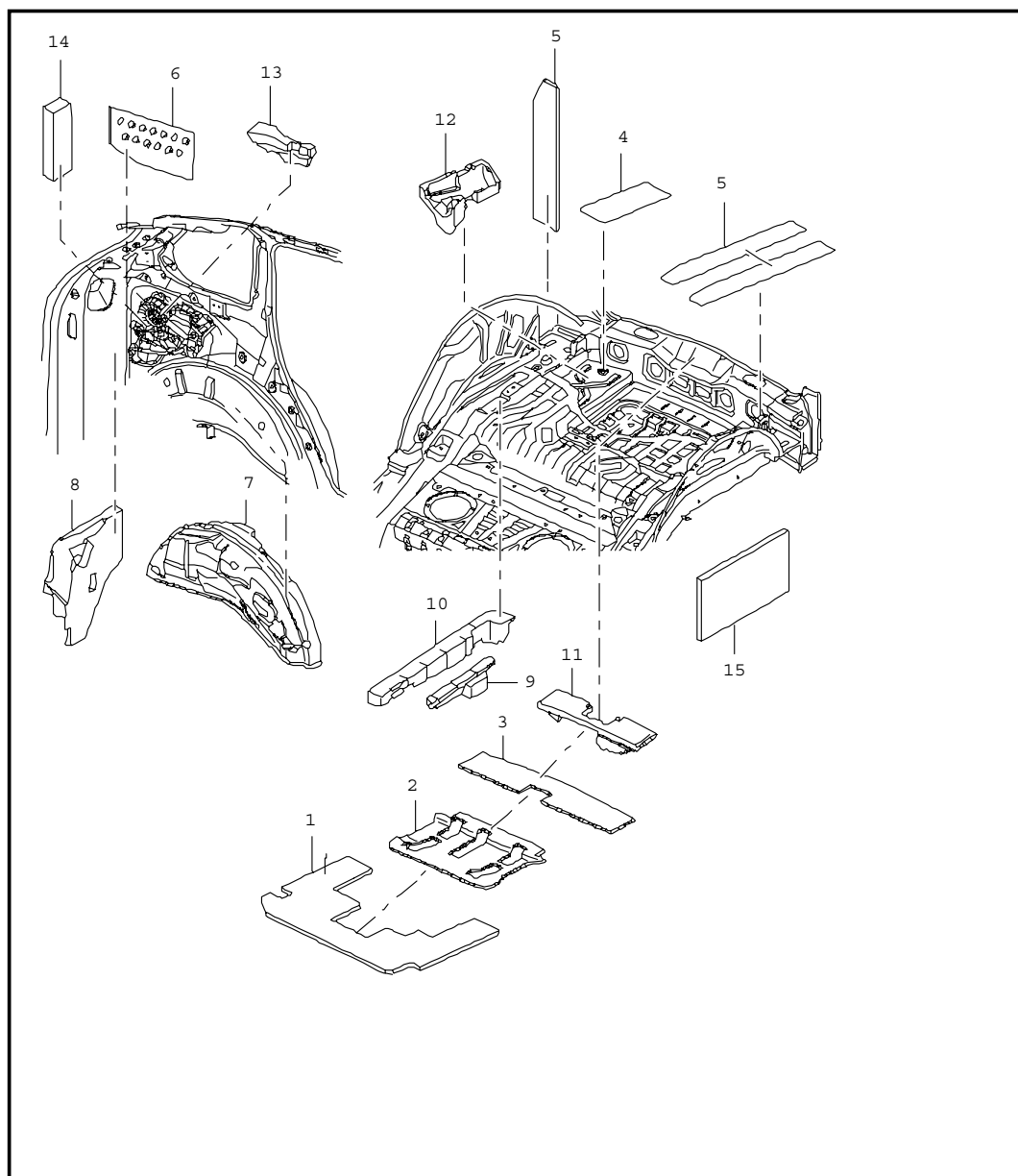
Model	Year	MG	SG	Illustration	Restrictions	Update	18:55	16.08.2006	PORSCHE	PET	PORSCHE
9pa	06	8	07	807-40		203					

Pos	Part Number	Name	Remarks	Qty	Model	Pos	Part Number	Name	Remarks	Qty	Model
	6M7	stainless steel				(18)	955 551 712 01	lining hinge cable cover	/R	1	
11	955 551 689 02	fixing clip for cover lock carrier		4			01C	satin black			
12	955 551 773 04	luggage boot cover		1		19	N 105 168 01	expander nut F 5 X 14,4 mount cable cover outer		4	
	6R5	havanna									
	6S4	stone grey									
	6S6	palmgreen				20	955 551 741 00	clamping piece for cable cover outer		2	
	9ET	black									
	4R9	sand beige	04-			21	N 104 472 01	lens-head screw ST 4,8 X13 mount cable cover outer		4	
13	955 551 691 02	net luggage compartment		1							
	3W4	black									
14	955 551 895 01	cover mounting piece net	-05	2		22	955 551 713 00	lining hinge cable cover inner	/L	1	
15	N 106 068 01	countersunk-head screw M 6 X 25 for mount cover		X			01C	satin black			
16	955 551 627 00	lining hinge cover	/L	1		(22)	955 551 714 00	lining hinge cable cover inner	/R	1	
	01C	satin black					01C	satin black			
(16)	955 551 628 00	lining hinge cover	/R	1		23	955 551 353 01	cover sealing channel		1	I1G1/1G6/1G8
	01C	satin black				(23)	955 551 335 01	adhesive plate		3	I1G1/1G6/1G8
17	955 551 207 00	fixing clip lining hinge cover		2		24	955 551 812 00	mounting piece net		X	
	01C	satin black				25	955 551 283 00	clamping spring mount mounting piece		X	
18	955 551 711 01	lining hinge cable cover	/L	1		26	955 551 425 00	cover filler piece		1	I0AB
	01C	satin black					01C	satin black			
	01C	satin black				27	955 551 443 00	connecting piece		1	I0AB

Model	Year	MG	SG	Illustration	Restrictions	Update	18:55	16.08.2006	PORSCHE	PET	PORSCHE
9pa	06	8	07	807-40		203					

Pos	Part Number	Name	Remarks	Qty	Model	Pos	Part Number	Name	Remarks	Qty	Model
28	955 343 495 00	round head screw M 5 X 20		2							
		- - - E N D - - -									

Model	Year	MG	SG	Illustration	Restrictions	Update	18:55	16.08.2006	PORSCHE	PET	PORSCHE
9pa	06	8	07	807-45		203					

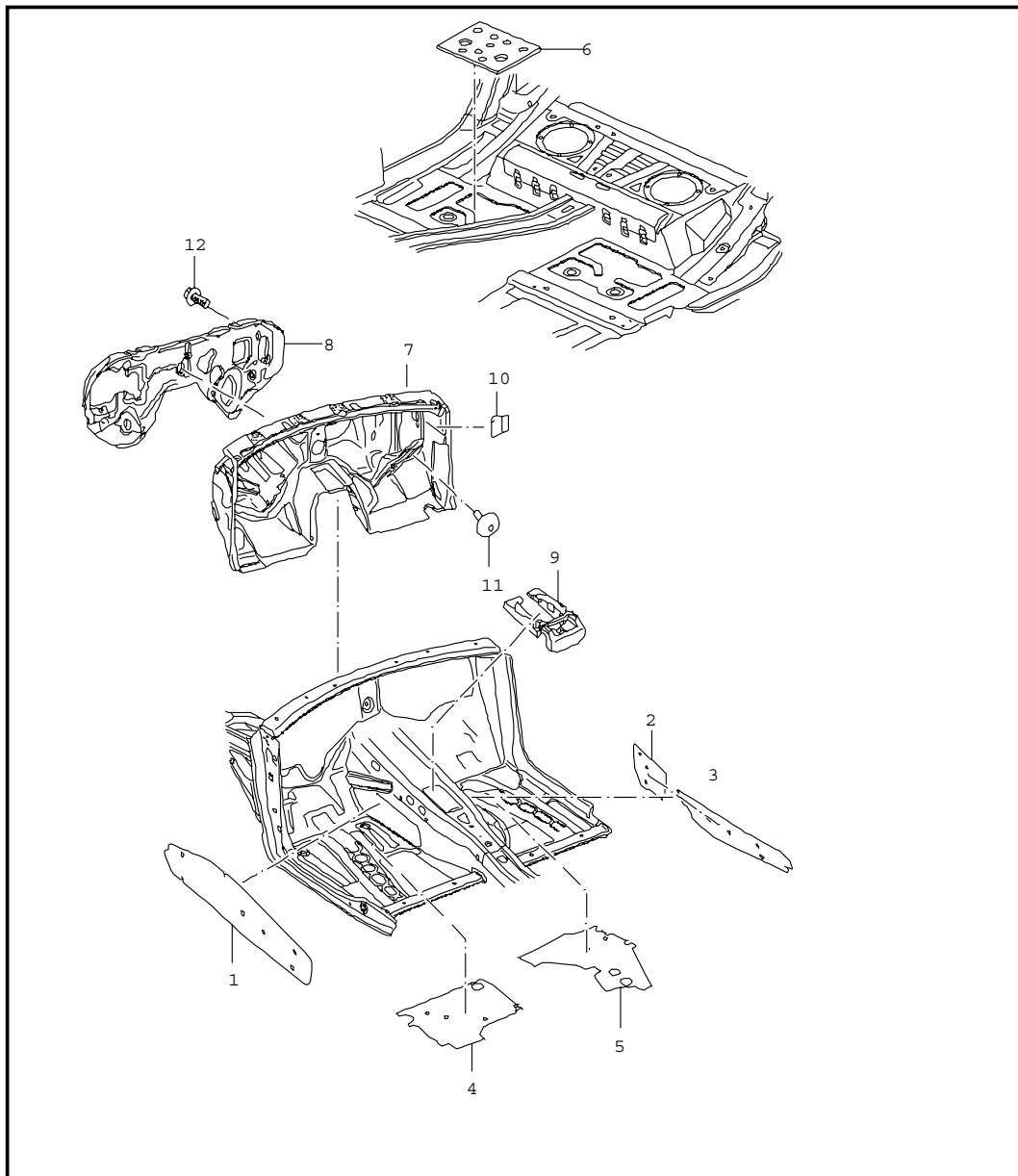


Pos	Part Number	Name	Remarks	Qty	Model
1	955 556 631 00	sound absorber luggage compartment	-05	1	
2	955 556 632 00	sound absorber luggage compartment floor	-05	1	
3	955 556 633 00	sound absorber spare-wheel well lower	-05	1	
4	955 556 634 00	sound absorber spare-wheel well rear	-05	1	
5	955 556 641 00	sound absorber spare-wheel well lateral	-05	2	
6	955 556 671 00	sound absorber wheel housing upper	-05	3	
6	955 556 671 00	sound absorber side section	/L -05	1	
(6)	955 556 672 00	sound absorber side section	/R -05	1	
7	955 556 607 00	insulation wheel housing	/L 03	1	I3W4/9AH
7	955 556 607 02	insulation wheel housing	/L 04	1	I3W4/9AH
7	955 556 607 03	insulation wheel housing	/L 05-	1	I3W4/9AH
(7)	955 556 609 00	insulation wheel housing	/L 03	1	I3W7/9AH
(7)	955 556 609 02	insulation wheel housing	/L 04	1	I3W7/9AH
(7)	955 556 609 03	insulation wheel housing	/L 05-	1	I3W7/9AH
(7)	955 556 611 00	insulation wheel housing	/L 03	1	I3W4/9AB/9AD
(7)	955 556 611 01	insulation wheel housing	/L 04	1	I3W4/9AB/9AD
(7)	955 556 611 02	insulation wheel housing	/L 05-	1	I3W4/9AB/9AD
(7)	955 556 613 00	insulation wheel housing	/L 03	1	I3W7/9AB/9AD

Model	Year	MG	SG	Illustration	Restrictions	Update	18:55	16.08.2006	PORSCHE	PET	PORSCHE
9pa	06	8	07	807-45		203					

Pos	Part Number	Name	Remarks	Qty	Model	Pos	Part Number	Name	Remarks	Qty	Model
(7)	955 556 613 01	insulation wheel housing	/L 04	1	I3W7/9AB/9AD	(15)	955 556 812 00	insulation stabiliser lateral	/R	1	IOAG
(7)	955 556 613 02	insulation wheel housing	/L 05-	1	I3W7/9AB/9AD			- - - E N D - - -			
(7)	955 556 608 00	insulation wheel housing	/R	1	I3W4						
(7)	955 556 610 00	insulation wheel housing	/R	1	I3W7						
8	955 556 619 00	insulation wheel housing upper	/L -04	1	IOBB/9AB/9AD						
(8)	955 556 621 00	insulation wheel housing upper	/L -04	1	IOBB/9AH						
(8)	955 556 620 00	insulation wheel housing upper	/R -04	1							
9	955 556 743 00	insulation luggage compartment floor inner	/L	1							
(9)	955 556 744 00	insulation luggage compartment floor inner	/R	1							
10	955 556 801 00	insulation luggage compartment floor outer	/L	1							
(10)	955 556 802 00	insulation luggage compartment floor outer	/R	1							
11	955 556 809 00	insulation cross member		1							
12	955 556 895 01	insulation spare-wheel well	/L	1							
13	955 556 233 00	insulation for heat exchanger	/L	1	I9AH						
15	955 556 811 00	insulation stabiliser lateral	/L	1	IOAG						

Model	Year	MG	SG	Illustration	Restrictions	Update	18:55	16.08.2006	PORSCHE	PET	PORSCHE
9pa	06	8	07	807-50		203					

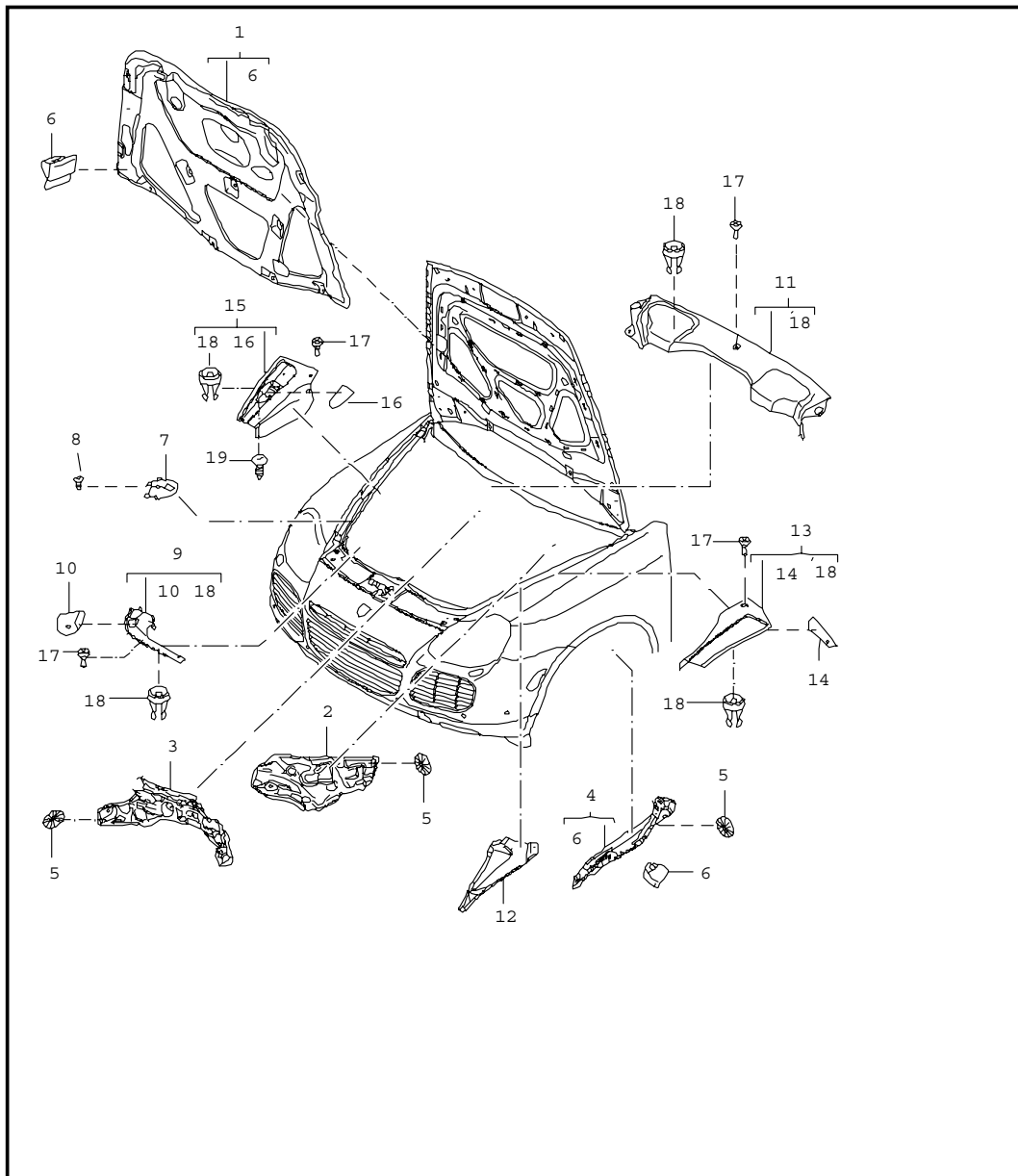


Pos	Part Number	Name	Remarks	Qty	Model
		sound absorber passenger compartment			
1	955 556 815 00	sound absorber tunnel	/L	1	
2	955 556 816 00	sound absorber tunnel front	/R	1	
3	955 556 818 00	sound absorber tunnel rear	/R	1	
4	955 556 851 01	sound absorber floor VORN	/L -05	1	
5	955 556 852 00	sound absorber floor front	/R -05	1	
6	955 556 855 00	sound absorber floor rear	-05	2	
7	955 556 623 00	insulation firewall	/LL -04	1	I3W4
(7)	955 556 625 00	insulation firewall	/LL -04	1	I3W7
(7)	955 556 623 01	insulation firewall	/LL 05	1	
(7)	955 556 623 02	insulation firewall	/LL 06-	1	
(7)	955 556 624 00	insulation firewall	/RL -04	1	I3W4
(7)	955 556 626 00	insulation firewall	/RL -04	1	I3W7
(7)	955 556 624 01	insulation firewall	/RL 05	1	
(7)	955 556 624 02	insulation firewall	/RL 06-	1	
8	955 556 595 00	insulation with assembly plate	/LL -05	1	I3W4

Model	Year	MG	SG	Illustration	Restrictions	Update	18:55	16.08.2006	PORSCHE	PET	PORSCHE
9pa	06	8	07	807-50		203					

Pos	Part Number	Name	Remarks	Qty	Model	Pos	Part Number	Name	Remarks	Qty	Model
(8)	955 556 597 00	insulation with assembly plate	/LL -05	1	I3W7			- - - E N D - - -			
(8)	955 556 595 01	insulation with assembly plate	/LL 06-	1							
(8)	955 556 596 00	insulation with assembly plate	/RL -05	1	I3W4						
(8)	955 556 598 00	insulation with assembly plate	/RL -05	1	I3W7						
(8)	955 556 596 01	insulation with assembly plate	/RL 06-	1							
9	955 556 531 00	insulation shift gate		1	IG0L						
(9)	955 556 532 00	insulation shift gate		1	IG0R						
10	955 556 761 00	support insulation		X							
	01C	satin black									
11	955 556 760 00	clip mount insulation firewall		X							
	01C	satin black									
12	N 905 483 03	hexagon-head bolt M 8 x 20 for mount insulation assembly plate	-05	X							
12	N 905 483 05	hexagon-head bolt M 8 x 20 for mount insulation assembly plate	06-	X							

Model	Year	MG	SG	Illustration	Restrictions	Update	18:55	16.08.2006	PORSCHE	PET	PORSCHE
9pa	06	8	07	807-55		203					



Pos	Part Number	Name	Remarks	Qty	Model
		sound absorber lining engine compartment			
1	955 556 711 00	insulation bonnet	-04	1	
2	955 556 715 00	insulation plenum panel engine compartment	/L	1	
(2)	955 556 716 00	insulation plenum panel engine compartment	/R	1	
3	955 556 720 00	insulation plenum panel engine compartment centre	-03	1	
3	955 556 720 01	insulation plenum panel engine compartment centre	04-	1	
(3)	955 556 721 00	insulation plenum panel engine compartment centre	-03	1	I3W7
(3)	955 556 721 01	insulation plenum panel engine compartment centre	04-	1	I3W7
4	955 556 725 00	insulation tunnel engine compartment	/L -03	1	I3W4
4	955 556 725 01	insulation tunnel engine compartment	/L 04	1	I3W4
4	955 556 725 02	insulation tunnel engine compartment	/L 05-	1	
(4)	955 556 726 00	insulation tunnel engine compartment	/R	1	
(4)	955 556 727 00	insulation tunnel engine compartment	/L -03	1	I3W7
(4)	955 556 727 01	insulation tunnel engine compartment	/L 04-	1	I3W7

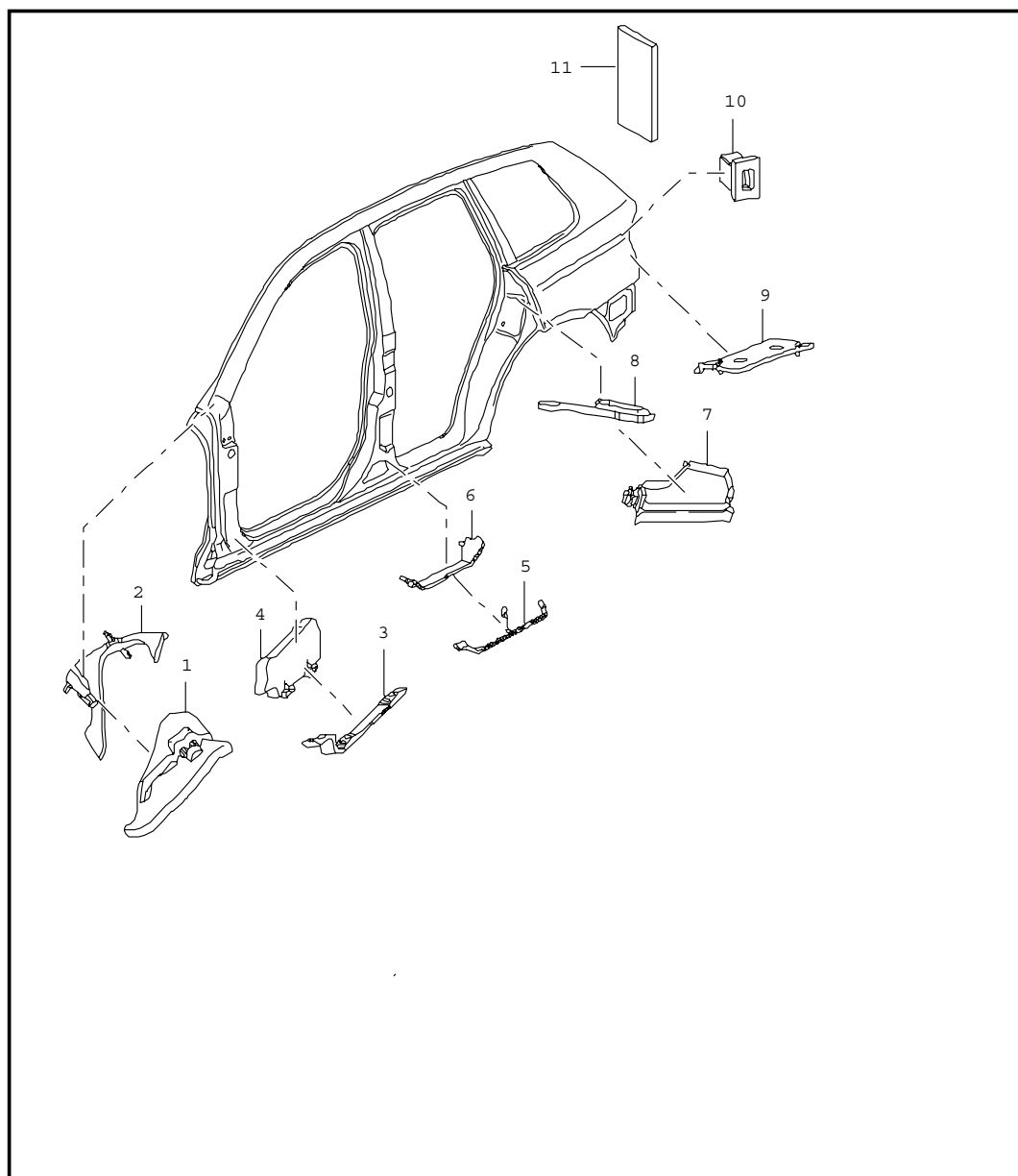
Model	Year	MG	SG	Illustration	Restrictions	Update	18:55	16.08.2006	PORSCHE	PET	PORSCHE
9pa	06	8	07	807-55		203					

Pos	Part Number	Name	Remarks	Qty	Model	Pos	Part Number	Name	Remarks	Qty	Model
(4)	955 556 728 00	insulation tunnel engine compartment	/R	1	I3W7	(10)	955 504 313 00	cover lateral adjustment headlamp	/L	1	ID9L
5	N 903 350 04	clamping washer 5 X 30 mount insulation engine compartment		X		(10)	955 504 314 00	cover lateral adjustment headlamp	/R	1	ID9J/D9L
6	955 556 761 00	support insulation	-04	X		11	955 504 503 00	cover rear centre		1	ID9J
	01C	satin black					01C	satin black			
7	955 504 115 00	support cover	/L	1		(11)	955 504 504 00	cover rear centre		1	ID9K/D9L
(7)	955 504 116 00	support cover	/R	1			01C	satin black			
8	N 909 855 01	oval-head screw 5 X 12 mount support cover engine compartment		1		12	955 504 331 00	cover front lateral	/L	1	
							01C	satin black			
9	955 504 283 00	cover front	/L	1	ID9J/D9K	(12)	955 504 332 00	cover front lateral	/R	1	
	01C	satin black					01C	satin black			
9	955 504 285 00	cover front	/L	1	ID9L	13	955 504 441 00	cover rear	/L -03	1	
	01C	satin black					01C	satin black			
(9)	955 504 284 00	cover front	/R	1	ID9K	13	955 504 441 01	cover rear	/L 04-	1	ID9K/D9L
	01C	satin black					01C	satin black			
(9)	955 504 286 00	cover front	/R	1	ID9J/D9L	(13)	955 504 445 00	cover rear	/L	1	ID9J
	01C	satin black					01C	satin black			
10	955 504 311 00	cover lateral adjustment headlamp	/L	1	ID9J/D9K	14	955 504 099 00	cover rear for oil tank power steering	/L -03	1	
(10)	955 504 312 00	cover lateral adjustment headlamp	/R	1	ID9K		01C	satin black			

Model	Year	MG	SG	Illustration	Restrictions	Update	18:55	16.08.2006	PORSCHE	PET	PORSCHE
9pa	06	8	07	807-55		203					

Pos	Part Number	Name	Remarks	Qty	Model	Pos	Part Number	Name	Remarks	Qty	Model
14	955 504 099 01	cover rear for oil tank power steering	/L 04-	1							
	01C	satin black									
15	955 504 442 01	cover rear	/R	1	ID9J						
	01C	satin black									
(15)	955 504 444 01	cover rear	/R	1	ID9K/D9L						
	01C	satin black									
16	955 504 100 00	cover rear for container coolant	/R	1							
	01C	satin black									
17	955 572 710 00	plug mount cover		X							
18	N 908 475 01	spring clamp 12 X 10,4 mount cover		X							
19	N 906 986 02	tapping screw 4,2 X 16 mount cover		1							
		- - - E N D - - -									

Model	Year	MG	SG	Illustration	Restrictions	Update	18:56	16.08.2006	PORSCHE	PET	PORSCHE
9pa	06	8	07	807-60		203					

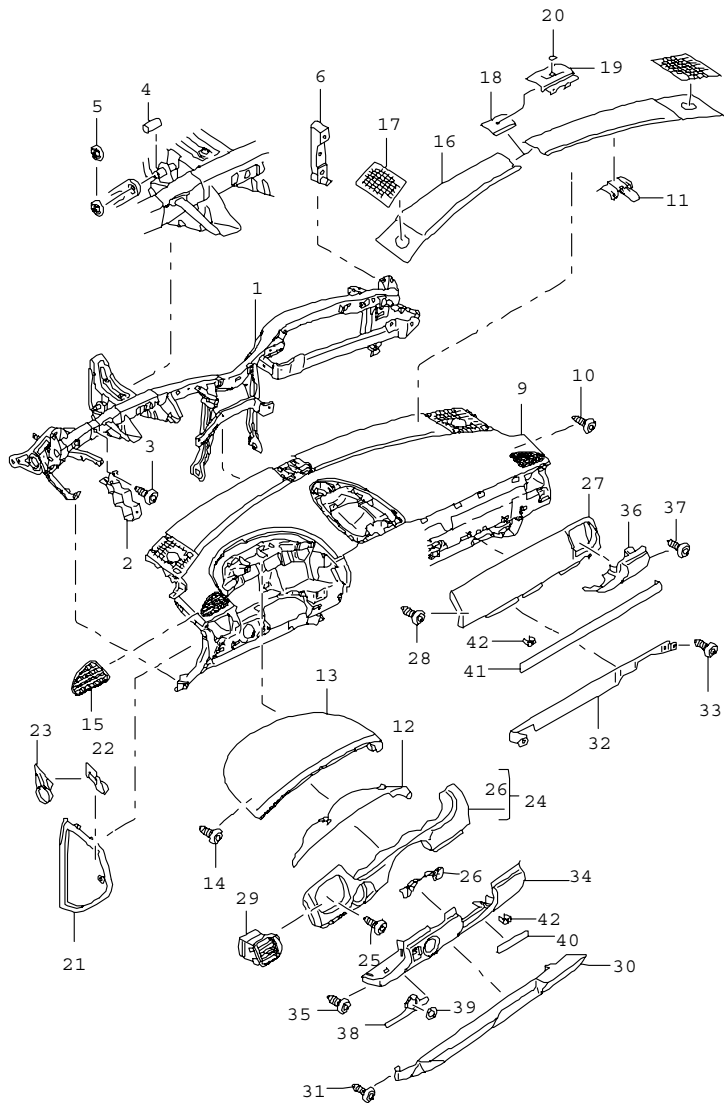


Pos	Part Number	Name	Remarks	Qty	Model
		sound absorber a-pillar until d-pillar			
1	955 556 425 01	sound absorber a-pillar upper inner	/L	1	
(1)	955 556 426 01	sound absorber a-pillar upper inner	/R	1	
2	955 556 427 00	sound absorber a-pillar upper outer	/L	1	
(2)	955 556 428 00	sound absorber a-pillar upper outer	/R	1	
3	955 556 429 01	sound absorber a-pillar lower outer		2	
4	955 556 431 00	sound absorber a-pillar lower inner	/L -05	1	
4	955 556 431 01	sound absorber a-pillar lower inner	/L 06-	1	
(4)	955 556 432 00	sound absorber a-pillar lower inner	/R -05	1	
(4)	955 556 432 01	sound absorber a-pillar lower inner	/R 06-	1	
5	955 556 433 01	sound absorber b-pillar lower outer	/L	1	

Model	Year	MG	SG	Illustration	Restrictions	Update	18:56	16.08.2006	PORSCHE	PET	PORSCHE
9pa	06	8	07	807-60		203					

Pos	Part Number	Name	Remarks	Qty	Model	Pos	Part Number	Name	Remarks	Qty	Model
(5)	955 556 434 01	sound absorber b-pillar lower outer	/R	1							
6	955 556 435 01	sound absorber b-pillar lower inner	/L	1							
(6)	955 556 436 01	sound absorber b-pillar lower inner	/R	1							
7	955 556 441 00	sound absorber c-pillar lower inner	/L	1							
(7)	955 556 442 00	sound absorber c-pillar lower inner	/R	1							
8	955 556 443 00	sound absorber c-pillar lower outer	/L	1							
(8)	955 556 444 00	sound absorber c-pillar lower outer	/R	1							
9	955 556 449 00	sound absorber d-pillar lower	/L	1							
(9)	955 556 450 00	sound absorber d-pillar lower	/R	1							
10	955 556 807 00	insulation d-pillar		2							
11	955 556 693 00	insulation d-pillar stabiliser		1	I0AG						
		- - - E N D - - -									

Model	Year	MG	SG	Illustration	Restrictions	Update	18:56	16.08.2006	PORSCHE	PET	PORSCHE
9pa	06	8	09	809-00		203					



Pos	Part Number	Name	Remarks	Qty	Model
		dashboard trim accessories			
1	955 552 061 00	retaining frame for dashboard	/LL -04	1	
1	955 552 061 01	retaining frame for dashboard	/LL 05	1	
1	955 552 061 02	retaining frame for dashboard	/LL 06-	1	
(1)	955 552 062 01	retaining frame for dashboard	/RL -05	1	
(1)	955 552 062 02	retaining frame for dashboard	/RL 06	1	
4	955 552 049 00	bearing sleeve for retaining frame		1	
5	N 905 770 01	clamping washer 12 X 25,5 retaining frame		1	
6	955 552 051 00	mounting for retaining frame	/L	1	
(6)	955 552 052 00	mounting for retaining frame	/R	1	
9	955 552 109 03	dashboard trim leatherette	/LL	1	I4N1
	6B9	black			
	6D5	stone grey			
	6E7	havanna			
	6H9	palmgreen			
(9)	955 552 110 04	dashboard trim leatherette	/RL	1	I4N1
	6B9	black			
	6D5	stone grey			
	6E7	havanna			

Model	Year	MG	SG	Illustration	Restrictions	Update	18:56	16.08.2006	PORSCHE	PET	PORSCHE
9pa	06	8	09	809-00		203					

Pos	Part Number	Name	Remarks	Qty	Model	Pos	Part Number	Name	Remarks	Qty	Model
	6H9	palmgreen					6E7	havanna			
9	955 552 101 04	dashboard trim leather	/LL	1	I4N8		6H9	palmgreen			
	A11	black				(13)	955 552 294 01	instrument box leatherette	/RL	1	I4N1
	4P2	palmgreen					6B9	black			
	5X6	stone grey					6D5	stone grey			
	7A3	havanna					6E7	havanna			
	8G2	sand beige	04-				6H9	palmgreen			
(9)	955 552 102 04	dashboard trim leather	/RL	1	I4N8	13	955 552 295 01	instrument box leather	/LL	1	I4N8
	A11	black					A11	black			
	4P2	palmgreen					5X6	stone grey			
	5X6	stone grey					7A3	havanna			
	7A3	havanna					4P2	palmgreen			
	8G2	sand beige	04-				8G2	sand beige	04-		
10	N 906 986 01	tapping screw ST 4,2 X 16 mount dashboard trim		9		(13)	955 552 296 01	instrument box leather	/RL	1	I4N8
							A11	black			
11	955 552 054 00	clamp cowl for mount dashboard trim		4			5X6	stone grey			
							7A3	havanna			
							4P2	palmgreen			
12	955 552 065 00	covering for instruments upper lacquered	/LL	1			8G2	sand beige	04-		
	6N3	black mat				14	N 906 986 01	tapping screw ST 4,2 X 16 mounting instrument box		4	
(12)	955 552 066 00	covering for instruments upper lacquered	/RL	1							
	6N3	black mat				15	955 552 219 00	air vent dashboard trim lateral upper lacquered	/L	1	
13	955 552 293 01	instrument box leatherette	/LL	1	I4N1		A03	black			
	6B9	black					5V7	stone grey			
	6D5	stone grey					5Y2	palmgreen			
							5Y9	havanna			

Model	Year	MG	SG	Illustration	Restrictions	Update	18:56	16.08.2006	PORSCHE	PET	PORSCHE
9pa	06	8	09	809-00		203					

Pos	Part Number	Name	Remarks	Qty	Model	Pos	Part Number	Name	Remarks	Qty	Model
(15)	955 552 220 00	air vent dashboard trim lateral upper lacquered	/R	1		(16)	955 552 186 01	defroster trim front lacquered	/R 06-	1	
	A03	black					A03	black			
	5V7	stone grey					5V7	stone grey			
	5Y2	palmgreen					5Y2	palmgreen			
	5Y9	havanna					5Y9	havanna			
	5Z1	sand beige	04-				5Z1	sand beige	04-		
16	955 552 185 00	defroster trim front lacquered	/L -05	1		17	955 552 793 00	loudspeaker grille lacquered	/L	1	
	A03	black					A03	black			
	5V7	stone grey					5V7	stone grey			
	5Y2	palmgreen					5Y2	palmgreen			
	5Y9	havanna					5Y9	havanna			
	5Z1	sand beige	04-				5Z1	sand beige	04-		
16	955 552 185 01	defroster trim front lacquered	/L 06-	1		(17)	955 552 794 00	loudspeaker grille lacquered	/R	1	
	A03	black					A03	black			
	5V7	stone grey					5V7	stone grey			
	5Y2	palmgreen					5Y2	palmgreen			
	5Y9	havanna					5Y9	havanna			
	5Z1	sand beige	04-				5Z1	sand beige	04-		
(16)	955 552 186 00	defroster trim front lacquered	/R -05	1		18	955 552 073 00	cover centre defroster trim lacquered		1	I7X0/7X3/9AB
	A03	black					A03	black			
	5V7	stone grey					5V7	stone grey			
	5Y2	palmgreen					5Y2	palmgreen			
	5Y9	havanna					5Y9	havanna			
	5Z1	sand beige	04-				5Z1	sand beige	04-		

Model	Year	MG	SG	Illustration	Restrictions	Update	18:56	16.08.2006	PORSCHE	PET	PORSCHE
9pa	06	8	09	809-00		203					

Pos	Part Number	Name	Remarks	Qty	Model	Pos	Part Number	Name	Remarks	Qty	Model
(18)	955 552 074 00	cover centre defroster trim lacquered	-04	1	I7X0/9AD/9AH		7BA	steel grey			
	A03	black				21	955 552 175 00	end plate lateral	/L -04	1	I4UB/4UD/ I4UQ/9AB/9AD
	5V7	stone grey					A03	black			
	5Y9	havanna					5Y2	palmgreen			
	5Y2	palmgreen					5Z1	sand beige			
	5Z1	sand beige	04-				7BA	steel grey			
(18)	955 552 074 01	cover centre defroster trim lacquered	05-	1	I7X0/7X3/9AD I9AH	21	955 552 175 02	end plate lateral	/LL/L05-	1	I4UE/9AB/9AD
	A03	black					A03	black			
	5V7	stone grey					5Y2	palmgreen			
	5Y9	havanna					5Z1	sand beige			
	5Y2	palmgreen					7BA	steel grey			
	5Z1	sand beige	04-			21	955 552 175 02	end plate lateral	/L 05-	1	I4UB/4UD/ I9AB/9AD
19	955 552 655 01	housing park distance control lacquered		1	I7X2		A03	black			
	A03	black					5Y2	palmgreen			
	5V7	stone grey				(21)	955 552 176 00	end plate lateral	/RL/R-04	1	I4UE/9AB/9AD
	5Y2	palmgreen					A03	black			
	5Y9	havanna					5Y2	palmgreen			
	5Z1	sand beige					5Z1	sand beige			
20	955 552 187 00	cover		1	I7X2/9AB		7BA	steel grey			
	01C	satin black				(21)	955 552 176 00	end plate lateral	/R -04	1	I4UB/4UD/ I4UQ/9AB/9AD
21	955 552 175 00	end plate lateral	/LL/L-04	1	I4UE/9AB/9AD		A03	black			
	A03	black					5Y2	palmgreen			
	5Y2	palmgreen					5Z1	sand beige			
	5Z1	sand beige									

Model	Year	MG	SG	Illustration	Restrictions	Update	18:56	16.08.2006	PORSCHE	PET	PORSCHE
9pa	06	8	09	809-00		203					

Pos	Part Number	Name	Remarks	Qty	Model	Pos	Part Number	Name	Remarks	Qty	Model
(21)	955 552 176 02	7BA steel grey end plate lateral	/RL/R05-	1	I4UE/9AB/9AD	(21)	955 552 180 01	end plate lateral	/LL/R05-	1	I4UE/9AB/9AD
		A03 black					A03	black			
		5Y2 palmgreen					7BA	steel grey			
		5Z1 sand beige					5Z1	sand beige			
		7BA steel grey					5Y2	palmgreen			
(21)	955 552 176 02	end plate lateral	/R 05-	1	I4UB/4UD/ I9AB/9AD	(21)	955 552 180 02	end plate lateral	/LL/R06-	1	I4UE/9AB/9AD
		A03 black					A03	black			
		5Y2 palmgreen					7BA	steel grey			
		5Z1 sand beige					5Z1	sand beige			
		7BA steel grey					5Y2	palmgreen			
(21)	955 552 179 00	end plate lateral	/RL/L-04	1	I4UE/9AB/9AD	(21)	955 552 175 01	end plate lateral	/LL/L-04	1	I4UE/9AH
		A03 black					A03	black			
		5Y2 palmgreen					5Y2	palmgreen			
		5Z1 sand beige					5Z1	sand beige			
		7BA steel grey					7BA	steel grey			
(21)	955 552 179 01	end plate lateral	/RL/L05-	1	I4UE/9AB/9AD	(21)	955 552 175 01	end plate lateral	/L -04	1	I4UB/4UD/ I4UQ/9AH
		A03 black					A03	black			
		5Y2 palmgreen					5Y2	palmgreen			
		5Z1 sand beige					5Z1	sand beige			
		7BA steel grey					7BA	steel grey			
(21)	955 552 180 00	end plate lateral	/LL/R-04	1	I4UE/9AB/9AD	(21)	955 552 175 03	end plate lateral	/LL/L05-	1	I4UE/9AH
		A03 black					A03	black			
		7BA steel grey					5Y2	palmgreen			
		5Z1 sand beige					5Z1	sand beige			
		5Y2 palmgreen					7BA	steel grey			
(21)	955 552 175 03	end plate lateral	/L 05-	1	I4UB/4UD/9AH						

Model	Year	MG	SG	Illustration	Restrictions	Update	18:56	16.08.2006	PORSCHE	PET	PORSCHE
9pa	06	8	09	809-00		203					

Pos	Part Number	Name	Remarks	Qty	Model	Pos	Part Number	Name	Remarks	Qty	Model
	A03	black					5Y2	palmgreen			
	5Y2	palmgreen					5Z1	sand beige			
	5Z1	sand beige					7BA	steel grey			
	7BA	steel grey				(21)	955 552 181 01	end plate lateral	/RL/L05-	1	I4UE/9AH
(21)	955 552 176 01	end plate lateral	/LL/R-04	1	I4UE/9AH		A03	black			
	A03	black					5Y2	palmgreen			
	5Y2	palmgreen					5Z1	sand beige			
	5Z1	sand beige					7BA	steel grey			
	7BA	steel grey				(21)	955 552 182 00	end plate lateral	/LL/R-04	1	I4UE/9AH
(21)	955 552 176 01	end plate lateral	/R -04	1	I4UB/4UD/ I4UQ/9AH		A03	black			
	A03	black					5Y2	palmgreen			
	5Y2	palmgreen					5Z1	sand beige			
	5Z1	sand beige					7BA	steel grey			
	7BA	steel grey				(21)	955 552 182 01	end plate lateral	/LL/R05	1	I4UE/9AH
(21)	955 552 176 03	end plate lateral	/LL/R05-	1	I4UE/9AH		A03	black			
	A03	black					5Y2	palmgreen			
	5Y2	palmgreen					5Z1	sand beige			
	5Z1	sand beige					7BA	steel grey			
	7BA	steel grey				(21)	955 552 182 02	end plate lateral	/LL/R06-	1	I4UE/9AH
(21)	955 552 176 03	end plate lateral	/R 05-	1	I4UB/4UD/9AH		A03	black			
	A03	black					5Y2	palmgreen			
	5Y2	palmgreen					5Z1	sand beige			
	5Z1	sand beige					7BA	steel grey			
	7BA	steel grey				22	955 552 013 00	cover dashboard trim lateral	/L	1	I9AH
(21)	955 552 176 03	end plate lateral				(22)	955 552 014 00	cover dashboard trim lateral	/R	1	I9AH
	A03	black									
	5Y2	palmgreen									
	5Z1	sand beige									
	7BA	steel grey									
(21)	955 552 181 00	end plate lateral	/RL/L-04	1	I4UE/9AH						
	A03	black									

Model	Year	MG	SG	Illustration	Restrictions	Update	18:56	16.08.2006	PORSCHE	PET	PORSCHE
9pa	06	8	09	809-00		203					

Pos	Part Number	Name	Remarks	Qty	Model	Pos	Part Number	Name	Remarks	Qty	Model
23	955 552 015 00	air duct dashboard trim lateral	/L	1	I9AB/9AD	25	N 906 986 01	tapping screw ST 4,2 X 16 mount cover driver's side		3	
(23)	955 552 016 00	air duct dashboard trim lateral	/R	1	I9AB/9AD	26	955 552 569 00	trim covering for instruments lacquered		1	
24	955 552 565 00	cover driver's side	/LL	1	I4N1		A03	black			
		6B9 black					5V7	stone grey			
		6D5 stone grey					5Y2	palmgreen			
		6E7 havanna					5Y9	havanna			
		6H9 palmgreen					5Z1	sand beige	04-		
(24)	955 552 566 00	cover driver's side	/RL	1	I4N1	27	955 552 561 00	cover passenger's side	/LL	1	I4N1
		6B9 black					6B9	black			
		6D5 stone grey					6D5	stone grey			
		6E7 havanna					6E7	havanna			
		6H9 palmgreen					6H9	palmgreen			
24	955 552 567 00	cover driver's side leather	/LL	1	I4N8	(27)	955 552 562 00	cover passenger's side	/RL	1	I4N1
		A11 black					6B9	black			
		4P2 palmgreen					6D5	stone grey			
		5X6 stone grey					6E7	havanna			
		7A3 havanna					6H9	palmgreen			
		8G2 sand beige	04-			27	955 552 563 00	cover passenger's side leather	/LL	1	I4N8
(24)	955 552 568 00	cover driver's side leather	/RL	1	I4N8		A11	black			
		A11 black					4P2	palmgreen			
		4P2 palmgreen					5X6	stone grey			
		5X6 stone grey					7A3	havanna			
		7A3 havanna					8G2	sand beige	04-		
		8G2 sand beige	04-								

Model	Year	MG	SG	Illustration	Restrictions	Update	18:56	16.08.2006	PORSCHE	PET	PORSCHE
9pa	06	8	09	809-00		203					

Pos	Part Number	Name	Remarks	Qty	Model	Pos	Part Number	Name	Remarks	Qty	Model
(27)	955 552 564 00	cover passenger's side leather	/RL	1	I4N8	(29)	955 552 228 02	side vent lacquered	/R 06-	1	
	A11	black					A03	black			
	4P2	palmgreen					5V7	stone grey			
	5X6	stone grey					5Y9	havanna			
	7A3	havanna					5Y2	palmgreen			
	8G2	sand beige	04-				5Z1	sand beige	04-		
28	N 906 986 01	tapping screw ST 4,2 X 16 mount cover passenger's side		6		32	955 552 048 00	reinforcement for knee protection trim passenger's side lower	/LL	1	
29	955 552 225 01	side vent lacquered	/L -05	1		34	955 552 503 00	lining driver's side lower leatherette	/LL	1	I4N1
	A03	black					5Q2	black			
	5V7	stone grey					5R3	steel grey			
	5Y9	havanna					5S4	sand beige			
	5Y2	palmgreen					5Y5	palmgreen			
	5Z1	sand beige	04-			(34)	955 552 504 01	lining driver's side lower leatherette	/RL	1	I4N1
29	955 552 225 02	side vent lacquered	/L 06-	1			5Q2	black			
	A03	black					5R3	steel grey			
	5V7	stone grey					5S4	sand beige			
	5Y9	havanna					5Y5	palmgreen			
	5Y2	palmgreen					5Y5	palmgreen			
	5Z1	sand beige	04-			34	955 552 505 01	lining driver's side lower leather	/LL	1	I4N8
(29)	955 552 228 01	side vent lacquered	/R -05	1			4P1	palmgreen			
	A03	black					6B7	steel grey			
	5V7	stone grey					8G1	sand beige			
	5Y9	havanna					8YR	black			
	5Y2	palmgreen									
	5Z1	sand beige	04-								

Model	Year	MG	SG	Illustration	Restrictions	Update	18:56	16.08.2006	PORSCHE	PET	PORSCHE
9pa	06	8	09	809-00		203					

Pos	Part Number	Name	Remarks	Qty	Model	Pos	Part Number	Name	Remarks	Qty	Model
(34)	955 552 506 01	lining driver's side lower leather	/RL	1	I4N8	(36)	955 552 514 01	lining passenger's side lower leather	/RL	1	I4N8
	4P1	palmgreen					4P1	palmgreen			
	6B7	steel grey					6B7	steel grey			
	8G1	sand beige					8G1	sand beige			
	8YR	black					8YR	black			
35	N 906 986 01	tapping screw ST 4,2 X 16 mount lining driver's side lower		7		37	N 906 986 01	tapping screw ST 4,2 X 16 mount lining passenger's side lower		3	
36	955 552 511 01	lining passenger's side lower leatherette	/LL	1	I4N1	38	955 552 667 00	cover ignition starter lock silver mat chrome	/LL	1	I5MA
	5Q2	black					QHA	black			
	5R3	steel grey					QHB	stone grey			
	5S4	sand beige					QHC	havanna			
	5Y5	palmgreen					QHD	palmgreen			
(36)	955 552 512 01	lining passenger's side lower leatherette	/RL	1	I4N1	(38)	955 552 668 00	cover ignition starter lock silver mat chrome	/RL	1	I5MA
	5Q2	black					QHA	black			
	5R3	steel grey					QHB	stone grey			
	5S4	sand beige					QHC	havanna			
	5Y5	palmgreen					QHD	palmgreen			
36	955 552 513 01	lining passenger's side lower leather	/LL	1	I4N8		RKT	sand beige	04-		
	4P1	palmgreen				38	955 552 669 00	cover ignition starter lock satin aluminium	/LL	1	I5TE
	6B7	steel grey					QHE	black			
	8G1	sand beige					QHF	stone grey			
	8YR	black					QHG	havanna			

Model	Year	MG	SG	Illustration	Restrictions	Update	18:56	16.08.2006	PORSCHE	PET	PORSCHE
9pa	06	8	09	809-00		203					

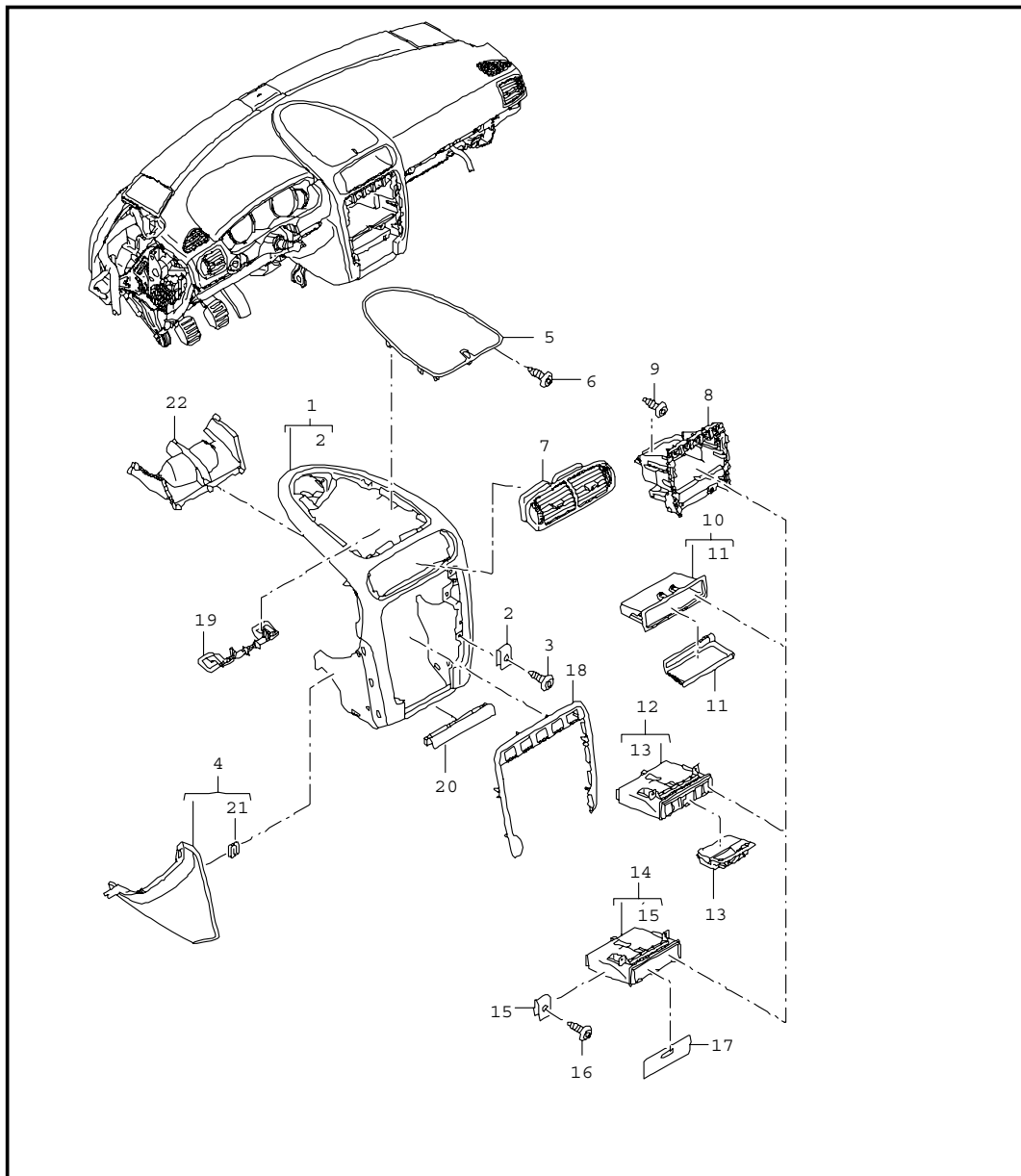
Pos	Part Number	Name	Remarks	Qty	Model	Pos	Part Number	Name	Remarks	Qty	Model		
(38)	955 552 670 00	QHH palmgreen			I5TE	(38)	955 552 674 00	cover	/RL	1	I5MG		
		RKU sand beige	04-	ignition starter lock					rootwood				
		cover		black					QHJ				
		ignition starter lock		stone grey					QHK				
		satin aluminium		havanna					QHL				
				palmgreen					QHM				
				sand beige				04-	RKW				
38	955 552 671 00	cover	/LL	1	I5TF	38	955 552 675 00	cover	/LL 04-	1	I5TK		
		ignition starter lock						ignition starter lock				ash wood	
		olive grain						black				RWE	
		black						stone grey				RWF	
								havanna				RWG	
								palmgreen				RWH	
								sand beige	04-			RWM	
(38)	955 552 672 00	cover	/RL	1	I5TF	(38)	955 552 676 00	cover	/RL 04-	1	I5TK		
		ignition starter lock						ignition starter lock				ash wood	
		olive grain						black				RWE	
		black						stone grey				RWF	
								havanna				RWG	
								palmgreen				RWH	
								sand beige	04-			RWM	
38	955 552 673 00	cover	/LL	1	I5MG	39	955 552 677 00	rose		1			
		ignition starter lock						ignition starter lock					
		rootwood						satin black				01C	
								moulding	/LL			1	I5MA
								driver's side					
								plastic material					
								black				5X2	silver mat chrome
		stone grey		(40)	955 552 428 00	moulding	/RL	1	I5MA				
		havanna					driver's side						
		palmgreen					plastic material						
		sand beige	04-	5X2	silver mat chrome								

Model	Year	MG	SG	Illustration	Restrictions	Update	18:56	16.08.2006	PORSCHE	PET	PORSCHE
9pa	06	8	09	809-00		203					

Pos	Part Number	Name	Remarks	Qty	Model	Pos	Part Number	Name	Remarks	Qty	Model
40	955 552 429 00	moulding driver's side	/LL	1	I5TE	(41)	955 552 444 00	moulding passenger's side	/RL	1	I5TE
	4W9	satin aluminium					4W9	satin aluminium			
(40)	955 552 430 00	moulding driver's side	/RL	1	I5TE	41	955 552 445 00	moulding passenger's side wood	/LL	1	I5TF
	4W9	satin aluminium					4V8	olive grain			
40	955 552 431 00	moulding driver's side wood	/LL	1	I5TF	(41)	955 552 446 00	moulding passenger's side wood	/RL	1	I5TF
	4V8	olive grain					4V8	olive grain			
(40)	955 552 432 00	moulding driver's side wood	/RL	1	I5TF	41	955 552 447 00	moulding passenger's side	/LL	1	I5MG
	4V8	olive grain					4X2	rootwood			
40	955 552 433 00	moulding driver's side	/LL	1	I5MG	(41)	955 552 448 00	moulding passenger's side	/RL	1	I5MG
	4X2	rootwood					4X2	rootwood			
(40)	955 552 434 00	moulding driver's side	/RL	1	I5MG	41	955 552 451 00	moulding passenger's side	/LL 04-	1	I5TK
	4X2	rootwood					9Z4	ash wood			
40	955 552 425 00	moulding driver's side	/LL 04-	1	I5TK	(41)	955 552 452 00	moulding passenger's side	/RL 04-	1	I5TK
	9Z4	ash wood					9Z4	ash wood			
(40)	955 552 426 00	moulding driver's side	/RL 04-	1	I5TK	42	955 552 107 00	fixing clip for moulding driver's side passenger's side		X	
	9Z4	ash wood									
41	955 552 435 00	moulding passenger's side plastic material	/LL	1	I5MA						
	5X2	silver mat chrome									
(41)	955 552 436 00	moulding passenger's side plastic material	/RL	1	I5MA						
	5X2	silver mat chrome									
41	955 552 443 00	moulding passenger's side	/LL	1	I5TE						
	4W9	satin aluminium									

- - - E N D - - -

Model	Year	MG	SG	Illustration	Restrictions	Update	18:56	16.08.2006	PORSCHE	PET	PORSCHE
9pa	06	8	09	809-05		203					



Pos	Part Number	Name	Remarks	Qty	Model
1	955 552 086 01	dashboard trim centre part accessories		1	I4N1
	6B9	black			
	6D5	stone grey			
	6E7	havanna			
	6H9	palmgreen			
(1)	955 552 087 01	centre part dashboard trim leather		1	I4N8
	A11	black			
	5X6	stone grey			
	7A3	havanna			
	4P2	palmgreen			
	8G2	sand beige	04-		
2	N 906 988 01	speed nut ST 4,2 X 16 X 12 mount centre part		10	
3	N 906 986 01	tapping screw ST 4,2 X 16 mount centre part		2	
4	955 552 113 00	cover centre part leatherette	/L	1	I4N1
	5Q2	black			
	5R3	steel grey			
	5S4	sand beige			
	5Y5	palmgreen			
(4)	955 552 114 00	cover centre part leatherette	/R	1	
	5Q2	black			
	5R3	steel grey			

Model	Year	MG	SG	Illustration	Restrictions	Update	18:56	16.08.2006	PORSCHE	PET	PORSCHE
9pa	06	8	09	809-05		203					

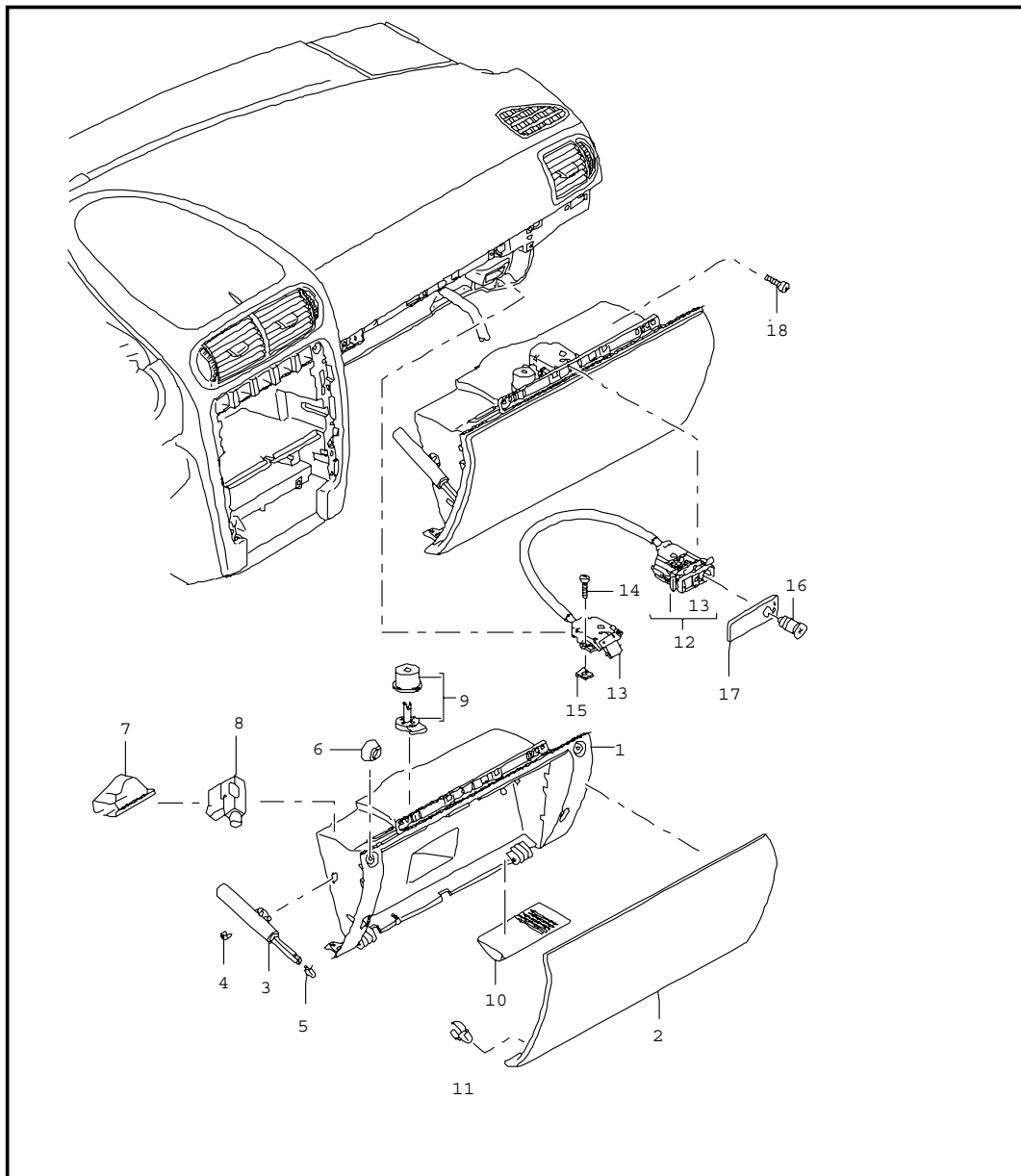
Pos	Part Number	Name	Remarks	Qty	Model	Pos	Part Number	Name	Remarks	Qty	Model
	5S4	sand beige					5Y2	palmgreen			
	5Y5	palmgreen					5Z1	sand beige	04-		
4	955 552 115 00	cover centre part leather	/L	1	I4N8	7	955 552 263 02	centre nozzle lacquered	06-	1	
	8YR	black					A03	black			
	6B7	steel grey					5V7	stone grey			
	8G1	sand beige					5Y9	havanna			
	4P1	palmgreen					5Y2	palmgreen			
(4)	955 552 116 00	cover centre part leather	/R	1	I4N8		5Z1	sand beige	04-		
	8YR	black				8	955 552 093 00	package box dashboard trim centre part	-03	1	
	6B7	steel grey				8	955 552 093 01	package box dashboard trim centre part	04-	1	
	8G1	sand beige				9	N 906 986 01	tapping screw ST 4,2 X16 mount package box centre part		8	
	4P1	palmgreen									
5	955 552 189 00	cover centre part upper lacquered		1							
	5V7	stone grey				10	955 552 243 01	storage box centre part		1	I7Q0
	5Y2	palmgreen					A03	black			
	5Y9	havanna				11	955 552 244 00	mat for storage box		1	I7Q0
	A03	black									
	5Z1	sand beige	04-			12	955 552 245 01	ashtray dashboard trim centre part	-05	1	I9JB
6	N 906 986 01	tapping screw ST 4,2 X 16 mount cover centre part		2		12	955 552 245 02	ashtray dashboard trim centre part	06-	1	I9JB
7	955 552 263 01	centre nozzle lacquered	-05	1		13	955 552 246 00	insert ashtray dashboard trim centre part		1	I9JB
	A03	black									
	5V7	stone grey				14	955 552 247 00	shelf dashboard trim centre part lacquered		1	I9JA
	5Y9	havanna									

Model	Year	MG	SG	Illustration	Restrictions	Update	18:56	16.08.2006	PORSCHE	PET	PORSCHE
9pa	06	8	09	809-05		203					

Pos	Part Number	Name	Remarks	Qty	Model	Pos	Part Number	Name	Remarks	Qty	Model
	A03	black					A03	black			
15	N 906 988 01	speed nut ST 4,2 X 16 X 12 mount ashtray shelf		2		(18)	955 552 383 00	cover centre part	-03	1	I4A3/4A4/ I5MG/5TE/5TF
16	N 906 986 01	tapping screw ST 4,2 X 16 mount ashtray shelf		2		(18)	955 552 383 01	cover centre part	04-	1	I4A3/4A4/ I5MG/5TE/ I5TF/5TK
17	955 552 248 00	cover ashtray shelf lacquered		1	I4N1		4W9	satin aluminium			
	A03	black				19	955 552 222 00	flap movable centre part upper		1	
	5V7	stone grey				20	955 552 517 00	cover strip centre part		1	
	5Y2	palmgreen				21	955 552 137 00	clamp for cover centre part		4	
	5Y9	havanna									
(17)	955 552 249 00	cover ashtray shelf lacquered		1	I4N8	22	955 552 235 00	cover air duct centre part		1	I9AB/9AD
	A03	black				(22)	955 552 236 00	cover air duct centre part		1	I9AH
	5V7	stone grey									
	5Y2	palmgreen									
	5Y9	havanna									
	5Z1	sand beige									
(18)	955 552 380 00	cover centre part lacquered	04-	1	I4A0/5MA						
	A03	black									
(18)	955 552 381 00	cover centre part		1	I4A0/5MG/ I5TE/5TF/5TK						
	4W9	satin aluminium									
(18)	955 552 382 00	cover centre part lacquered		1	I4A3/4A4/5MA						

- - - E N D - - -

Model	Year	MG	SG	Illustration	Restrictions	Update	18:56	16.08.2006	PORSCHE	PET	PORSCHE
9pa	06	8	09	809-10		203					

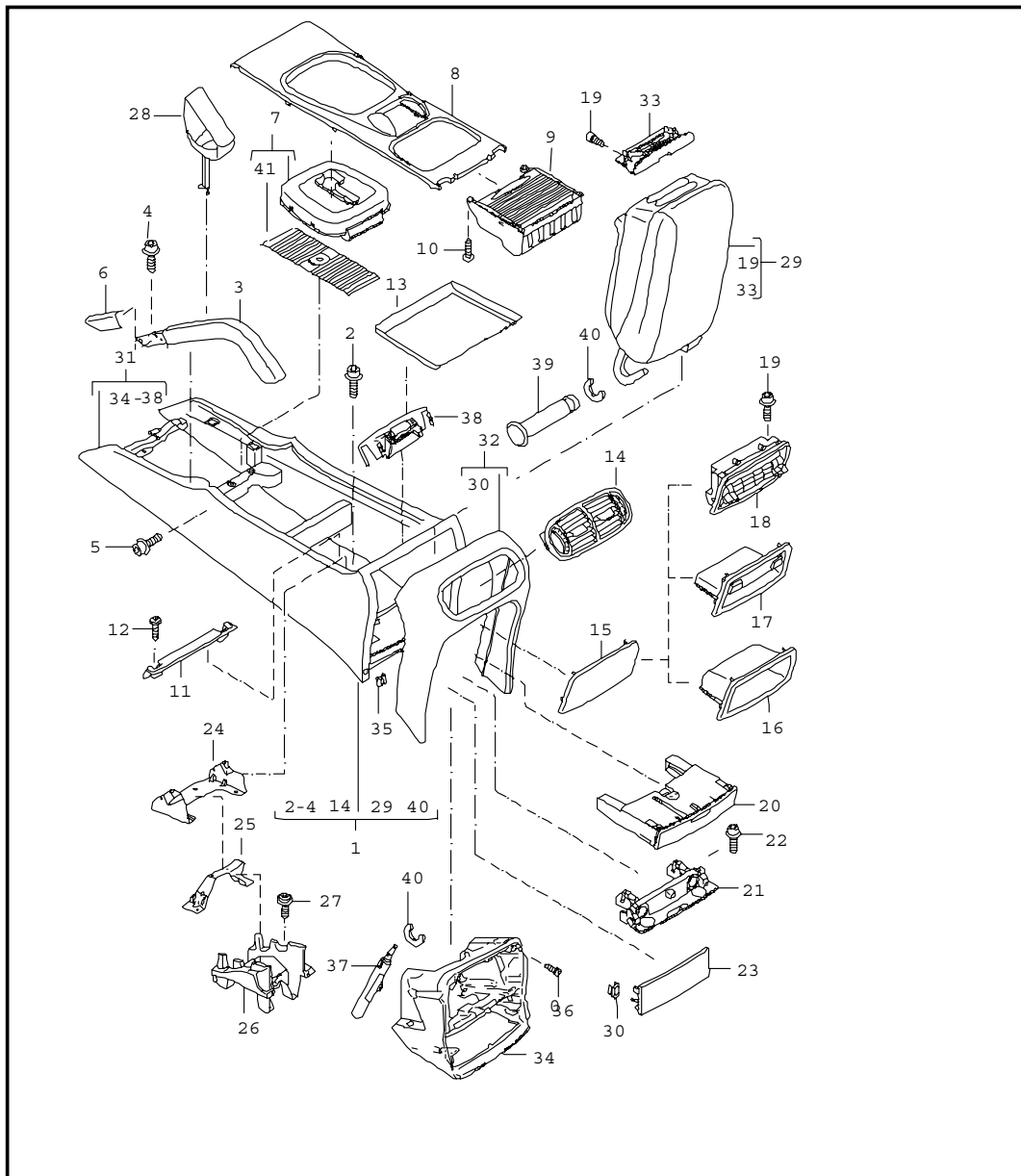


Pos	Part Number	Name	Remarks	Qty	Model
		glove compartment			
1	955 552 117 00	frame tray glove compartment		1	I4UE
	A03	black			
2	955 552 120 00	glove box cover with flap leatherette		1	I4N1
	5Q2	black			
	5R3	steel grey			
	5S4	sand beige			
	5Y5	palmgreen			
(2)	955 552 121 00	glove box cover with flap leather		1	I4N8
	4P1	palmgreen			
	6B7	steel grey			
	8G1	sand beige			
	8YR	black			
3	955 552 122 00	damper glove compartment		2	
4	955 552 107 00	fixing clip damper		2	
5	955 552 123 00	stop damper		2	
6	955 552 124 00	buffer glove compartment		2	
7	---	glove compartment light see group 9/03/04		1	
8	---	contact switch for glove compartment light see group 9/03/04		1	

Model	Year	MG	SG	Illustration	Restrictions	Update	18:56	16.08.2006	PORSCHE	PET	PORSCHE
9pa	06	8	09	809-10		203					

Pos	Part Number	Name	Remarks	Qty	Model	Pos	Part Number	Name	Remarks	Qty	Model
9	955 570 701 00	air vent glove compartment lower		1							
10	955 552 125 00	mat glove compartment	-04	1							
11	955 552 126 00	support fountain pen glove box cover		1							
12	955 552 127 01	housing glove compartment lock		1							
13	955 552 128 00	catch glove compartment		1							
14	N 906 986 01	tapping screw ST 4,2 X 16 mount catch		2							
15	N 906 988 01	speed nut mount 4,2 X 16 X12 catch		2							
16	996 552 915 00	lock cylinder glove compartment state lock number		1							
17	955 552 449 00	cover glove compartment lock plastic material lacquered		1	I5MA						
	5X2	silver mat chrome									
(17)	955 552 450 00	cover glove compartment lock		1	I5MG/5TE/ I5TF/5TK						
	4W9	satin aluminium									
18	N 906 986 01	tapping screw ST 4,2 X 16 mount glove compartment		7							
		- - - E N D - - -									

Model	Year	MG	SG	Illustration	Restrictions	Update	18:57	16.08.2006	PORSCHE	PET	PORSCHE
9pa	06	8	09	809-15		203					



Pos	Part Number	Name	Remarks	Qty	Model
1	955 552 201 04	centre console centre console		1	I3D1/6E3/ I9AH/9W0/ I9W1/9ZF/9ZT
		front leatherette			
	5Q2	black			
	5R3	steel grey			
	5S4	sand beige			
	5Y5	palmgreen			
(1)	955 552 205 02	centre console	-05	1	I3D1/6E3/ I9AB/9AD/ I9W0/9W1/ I9ZF/9ZT
		front leatherette			
	5Q2	black			
	5R3	steel grey			
	5S4	sand beige			
	5Y5	palmgreen			
(1)	955 552 205 03	centre console	06-	1	I3D1/6E3/ I9AB/9AD/ I9W0/9W1/ I9ZF/9ZT
		front leatherette			
	5Q2	black			
	5R3	steel grey			
	5S4	sand beige			
	5Y5	palmgreen			
(1)	955 552 204 05	centre console		1	I3D1/6E3/ I9AH/9ZP
		front leatherette			
	5Q2	black			
	5R3	steel grey			
	5S4	sand beige			
	5Y5	palmgreen			

Model	Year	MG	SG	Illustration	Restrictions	Update	18:57	16.08.2006	PORSCHE	PET	PORSCHE
9pa	06	8	09	809-15		203					

Pos	Part Number	Name	Remarks	Qty	Model	Pos	Part Number	Name	Remarks	Qty	Model
(1)	955 552 202 04	centre console front leatherette		1	I3D1/6E3/ I9AB/9AD/9ZP	(1)	955 552 209 04	centre console front partial leather		1	I3D3/6E7/ I9AB/9AD/9ZP
	5Q2	black					5Q2	black			
	5R3	steel grey					5R3	steel grey			
	5S4	sand beige					5S4	sand beige			
	5Y5	palmgreen					5Y5	palmgreen			
(1)	955 552 206 02	centre console front partial leather	-05	1	I3D3/6E7/ I9AB/9AD/ I9W0/9W1/ I9ZF/9ZT	(1)	955 552 210 05	centre console front partial leather		1	I3D3/6E7/ I9AH/9ZP
	5Q2	black					5Q2	black			
	5R3	steel grey					5R3	steel grey			
	5S4	sand beige					5S4	sand beige			
	5Y5	palmgreen					5Y5	palmgreen			
(1)	955 552 206 03	centre console front partial leather	06-	1	I3D3/6E7/ I9AB/9AD/ I9W0/9W1/ I9ZF/9ZT	(1)	955 552 211 01	centre console front leather	-04	1	I3D8/6E6/ I9AB/9AD/ I9W0/9W1/ I9ZF/9ZT
	5Q2	black					4P1	palmgreen			
	5R3	steel grey					6B7	steel grey			
	5S4	sand beige					8G1	sand beige			
	5Y5	palmgreen					8YR	black			
(1)	955 552 207 04	centre console front partial leather		1	I3D3/6E7/ I9AH/9W0/ I9W1/9ZF/9ZT	(1)	955 552 211 02	centre console front leather	05	1	I3D8/6E6/ I9AB/9AD/ I9W0/9W1/ I9ZF/9ZT
	5Q2	black					4P1	palmgreen			
	5R3	steel grey					6B7	steel grey			
	5S4	sand beige					8G1	sand beige			
	5Y5	palmgreen					8YR	black			

Model	Year	MG	SG	Illustration	Restrictions	Update	18:57	16.08.2006	PORSCHE	PET	PORSCHE
9pa	06	8	09	809-15		203					

Pos	Part Number	Name	Remarks	Qty	Model	Pos	Part Number	Name	Remarks	Qty	Model
(1)	955 552 211 03	centre console front leather 4P1 palmgreen 6B7 steel grey 8G1 sand beige 8YR black	06-	1	I3D8/6E6/ I9AB/9AD/ I9W0/9W1/ I9ZF/9ZT	2	N 103 472 01	screw mount centre console front	-05	18	
						3	955 552 645 00	handle centre console leather 4P1 palmgreen 6B7 steel grey 8G1 sand beige 8YR black	/L -05	1	I3D8
(1)	955 552 212 04	centre console front leather 4P1 palmgreen 6B7 steel grey 8G1 sand beige 8YR black		1	I3D8/6E6/ I9AH/9W0/ I9W1/9ZF/9ZT	(3)	955 552 646 00	handle centre console leather 4P1 palmgreen 6B7 steel grey 8G1 sand beige 8YR black	/R -05	1	I3D8
(1)	955 552 213 04	centre console front leather 4P1 palmgreen 6B7 steel grey 8G1 sand beige 8YR black		1	I3D8/6E6/ I9AB/9AD/9ZP	(3)	955 552 645 01	handle centre console leather 4P1 palmgreen 6B7 steel grey 8G1 sand beige 8YR black	/L 06-	1	I3D8
(1)	955 552 214 05	centre console front leather 4P1 palmgreen 6B7 steel grey 8G1 sand beige 8YR black		1	I3D8/6E6/ I9AH/9ZP	(3)	955 552 646 01	handle centre console leather 4P1 palmgreen 6B7 steel grey 8G1 sand beige 8YR black	/R 06-	1	I3D8
						3	955 552 647 00	handle centre console leatherette A08 black	/L -05	1	I3D1/3D3

Model	Year	MG	SG	Illustration	Restrictions	Update	18:57	16.08.2006	PORSCHE	PET	PORSCHE
9pa	06	8	09	809-15		203					

Pos	Part Number	Name	Remarks	Qty	Model	Pos	Part Number	Name	Remarks	Qty	Model
	T25	sand beige				5	N 101 112 02	pan-head screw M 8 X 85	-05	2	
	4Q2	palmgreen						mount handle rear			
	6E1	steel grey									
(3)	955 552 648 00	handle centre console leatherette	/R -05	1	I3D1/3D3	5	N 101 112 03	pan-head screw M 8 X 85	06-	2	
	A08	black						mount handle rear			
	T25	sand beige				6	955 552 633 00	cap handle centre console lacquered	/L -05	1	
	4Q2	palmgreen									
	6E1	steel grey									
(3)	955 552 647 01	handle centre console leatherette	/L 06-	1	I3D1/3D3		A03	black			
	A08	black					7BA	steel grey			
	T25	sand beige					5Y2	palmgreen			
	4Q2	palmgreen					5Z1	sand beige			
	6E1	steel grey				(6)	955 552 634 00	cap handle centre console lacquered	/R -05	1	
(3)	955 552 648 01	handle centre console leatherette	/R 06-	1	I3D1/3D3		A03	black			
	A08	black					7BA	steel grey			
	T25	sand beige					5Y2	palmgreen			
	4Q2	palmgreen					5Z1	sand beige			
	6E1	steel grey				6	955 552 633 01	cap handle centre console lacquered	/L 06-	1	
4	N 103 472 01	screw M 6 X 25 mount handle front	-05	2			A03	black			
							7BA	steel grey			
							5Y2	palmgreen			
							5Z1	sand beige			
4	N 103 472 04	screw M 6 X 25 mount handle front	06-	2		(6)	955 552 634 01	cap handle centre console lacquered	/R 06-	1	
							A03	black			

Model	Year	MG	SG	Illustration	Restrictions	Update	18:57	16.08.2006	PORSCHE	PET	PORSCHE
9pa	06	8	09	809-15		203					

Pos	Part Number	Name	Remarks	Qty	Model	Pos	Part Number	Name	Remarks	Qty	Model
	7BA	steel grey				(8)	955 552 301 02	trim centre console	04-	1	I5TK
	5Y2	palmgreen					9Z4	ash wood			
	5Z1	sand beige				9	955 552 283 02	support beverages lacquered		1	I5MA/5TE
7	955 552 261 01	shift gate	/LL	1	IG0R		A03	black			
	62W	satin aluminium					7BA	steel grey			
(7)	955 552 262 01	shift gate	/RL	1	IG0R		5Y2	palmgreen			
	62W	satin aluminium					5Z1	sand beige			
8	955 552 279 03	trim lacquered		1	ID9J/5MA	(9)	955 552 284 02	support beverages		1	I5TF
	A03	black					4V8	olive grain			
	7BA	steel grey				(9)	955 552 285 02	support beverages		1	I5MG
	5Y2	palmgreen					4X2	rootwood			
	5Z1	sand beige				(9)	955 552 290 02	support beverages	04-	1	I5TK
(8)	955 552 280 02	trim		1	ID9J/5TE		9Z4	ash wood			
	A03	black				10	N 106 514 01	screw M 4 X 10 mount beverages support		2	
	7BA	steel grey					11	955 552 083 00	cover end plate lacquered	1	
	5Y2	palmgreen					A03	black			
	5Z1	sand beige				12	000 043 205 85	hexagon socket head bolt M 4 X 10 mount cover end plate		2	
(8)	955 552 280 03	trim lacquered		1	ID9K/D9L/ I5MA/5TE		13	955 552 328 00	mat	1	
	A03	black					14	955 552 203 01	centre nozzle lacquered	-05	1
	7BA	steel grey					A03	black			
	5Y2	palmgreen					7BA	steel grey			
	5Z1	sand beige									
(8)	955 552 292 02	trim centre console		1	I5TF						
	4V8	olive grain									
(8)	955 552 297 02	trim centre console		1	I5MG						
	4X2	rootwood									

Model	Year	MG	SG	Illustration	Restrictions	Update	18:57	16.08.2006	PORSCHE	PET	PORSCHE
9pa	06	8	09	809-15		203					

Pos	Part Number	Name	Remarks	Qty	Model	Pos	Part Number	Name	Remarks	Qty	Model
	5Y2	palmgreen					62W	satin aluminium			
	5Z1	sand beige				17	955 552 148 00	cover		1	I4A4/5MA/ I9AB/9AD
14	955 552 203 02	centre nozzle lacquered	06-	1				seat heater lacquered			
	A03	black					A03	black			
	7BA	steel grey				(17)	955 552 149 00	cover		1	I4A4/5MG/ I9AB/9AD
	5Y2	palmgreen					62W	satin aluminium			
	5Z1	sand beige				(17)	955 552 149 00	cover		1	I4A4/5TE/ I9AB/9AD
15	955 552 338 00	trim centre console rear lacquered		1	ID9J/4A0/4A3 I5MA/9AB/9AD		62W	satin aluminium			
	A03	black				(17)	955 552 149 00	cover		1	I4A4/5TF/ I9AB/9AD
	7BA	steel grey					62W	satin aluminium			
	5Y2	palmgreen				(17)	955 552 149 00	cover		1	I4A4/5TK/ I9AB/9AD
	5Z1	sand beige						seat heater			
16	955 552 438 01	tray centre console rear lacquered		1	ID9K/4A0/ I4A3/5MA/ I9AB/9AD		62W	satin aluminium			
	A03	black				18	955 552 153 00	cover centre console lacquered		1	I5MA/9AH
(16)	955 552 340 01	tray centre console		1	I4A0/4A3/ I5MG/9AB/9AD	(18)	955 552 154 00	cover control part air conditioner		1	I5MG/9AH
	62W	satin aluminium					62W	satin aluminium			
(16)	955 552 340 01	tray centre console		1	I4A0/4A3/ I5TE/9AB/9AD	(18)	955 552 154 00	cover control part air conditioner		1	I5TE/9AH
	62W	satin aluminium					62W	satin aluminium			
(16)	955 552 340 01	tray centre console		1	I4A0/4A3/ I5TF/9AB/9AD	(18)	955 552 154 00	cover control part air conditioner		1	I5TF/9AH
	62W	satin aluminium					62W	satin aluminium			
(16)	955 552 340 01	tray centre console		1	I4A0/4A3/ I5TK/9AB/9AD	(18)	955 552 154 00	cover control part air conditioner	04-	1	I5TK/9AH

Model	Year	MG	SG	Illustration	Restrictions	Update	18:57	16.08.2006	PORSCHE	PET	PORSCHE
9pa	06	8	09	809-15		203					

Pos	Part Number	Name	Remarks	Qty	Model	Pos	Part Number	Name	Remarks	Qty	Model
	62W	satin aluminium				21	955 552 160 01	cover		1	I5MA/5TE/ I7B8/9JB
19	N 104 561 01	pan-head screw M 4 X 10		2				connector housing 2 hole lacquered			
(20)	955 552 286 02	support beverages rear lacquered	-05	1	I5MA/5TE		A03	black			
	A03	black					7BA	steel grey			
	7BA	steel grey					5Y2	palmgreen			
	5Y2	palmgreen					5Z1	sand beige			
	5Z1	sand beige				21	955 552 160 01	cover		1	I5MA/5TE/ I7B6/9JA
(20)	955 552 286 03	support beverages rear lacquered	06-	1	I5MA/5TE			connector housing 2 hole lacquered			
	A03	black					A03	black			
	7BA	steel grey					7BA	steel grey			
	5Y2	palmgreen					5Y2	palmgreen			
	5Z1	sand beige					5Z1	sand beige			
(20)	955 552 287 03	support beverages rear		1	I5MG	(21)	955 552 161 01	cover		1	I5MA/5TE/ I7B6/9JB
	4X2	rootwood						connector housing 1 hole lacquered			
(20)	955 552 288 03	support beverages rear		1	I5TF		A03	black			
	4V8	olive grain					7BA	steel grey			
(20)	955 552 298 01	support beverages olive grain	04-05	1	I5TK		5Y2	palmgreen			
	9Z4	ash wood					5Z1	sand beige			
(20)	955 552 298 02	support beverages olive grain	06-	1	I5TK	(21)	955 552 161 01	cover		1	I5MA/5TE/ I7B7/9JA
	9Z4	ash wood						connector housing 1 hole lacquered			
	9Z4	ash wood					A03	black			
	9Z4	ash wood					7BA	steel grey			
	9Z4	ash wood					5Y2	palmgreen			

Model	Year	MG	SG	Illustration	Restrictions	Update	18:57	16.08.2006	PORSCHE	PET	PORSCHE
9pa	06	8	09	809-15		203					

Pos	Part Number	Name	Remarks	Qty	Model	Pos	Part Number	Name	Remarks	Qty	Model
	5Z1	sand beige				(21)	955 552 162 00	cover connector housing 2 hole	04-	1	I5TK/7B8/9JB
(21)	955 552 162 00	cover connector housing 2 hole		1	I5TF/7B8/9JB		9Z4	ash wood			
	4V8	olive grain				(21)	955 552 162 00	cover connector housing 2 hole	04-	1	I5TK/7B6/9JA
(21)	955 552 162 00	cover connector housing 2 hole		1	I5TF/7B6/9JA		9Z4	ash wood			
	4V8	olive grain				(21)	955 552 170 00	cover connector housing 1 hole	04-	1	I5TK/7B6/9JB
(21)	955 552 163 00	cover connector housing 1 hole		1	I5TF/7B6/9JB		9Z4	ash wood			
	4V8	olive grain				(21)	955 552 170 00	cover connector housing 1 hole	04-	1	I5TK/7B7/9JA
(21)	955 552 163 00	cover connector housing 1 hole		1	I5TF/7B7/9JA		9Z4	ash wood			
	4V8	olive grain				22	N 904 552 04	pan-head screw M 4 X 10 mount cover connector housing	-05	2	
(21)	955 552 164 00	cover connector housing 2 hole		1	I5MG/7B8/9JB	22	N 904 552 05	pan-head screw M 4 X 10 mount cover connector housing	06-	2	
	4X2	rootwood				23	955 552 166 00	cover lacquered		1	I5MA/5TE/ I9AB/9AD
(21)	955 552 164 00	cover connector housing 2 hole		1	I5MG/7B6/9JA		A03	black			
	4X2	rootwood					7BA	steel grey			
(21)	955 552 165 00	cover connector housing 1 hole		1	I5MG/7B6/9JB		5Y2	palmgreen			
	4X2	rootwood					5Z1	sand beige			
(21)	955 552 165 00	cover connector housing 1 hole		1	I5MG/7B7/9JA	(23)	955 552 167 00	cover		1	I5MG/9AB/9AD
	4X2	rootwood					4X2	rootwood			
(21)	955 552 165 00	cover connector housing 1 hole		1	I5MG/7B7/9JA	(23)	955 552 168 00	cover		1	I5TF/9AB/9AD
	4X2	rootwood									

Model	Year	MG	SG	Illustration	Restrictions	Update	18:57	16.08.2006	PORSCHE	PET	PORSCHE
9pa	06	8	09	809-15		203					

Pos	Part Number	Name	Remarks	Qty	Model	Pos	Part Number	Name	Remarks	Qty	Model
	4V8	olive grain					5Q2	black			
(23)	955 552 171 00	cover	04-	1	I5TK/9AB/9AD		5R3	steel grey			
	9Z4	ash wood					5S4	sand beige			
24	955 552 849 00	support front		1			5Y5	palmgreen			
25	955 552 253 00	support centre		1		29	955 552 309 00	armrest	-05	1	I6E6/9W0/ I9W1/9ZF/9ZT
26	955 552 345 00	support rear		1				centre console plain leather			
27	N 103 472 01	screw M 6 X 25	-05	X			4P1	palmgreen			
27	N 103 472 04	screw M 6 X 25	06-	X			6B7	steel grey			
28	955 552 715 01	support mobile phone complete	/LL 04-	1	I9ZF/9ZT	29	955 552 309 01	armrest	06-	1	I6E6/9W0/ I9W1/9ZF/9ZT
(28)	955 552 716 01	support mobile phone complete	/RL 04-	1	I9ZF/9ZT			centre console plain leather			
29	955 552 307 01	armrest		1	I6E3/9W0/ I9W1/9ZF/9ZT		4P1	palmgreen			
		centre console leatherette					6B7	steel grey			
	5Q2	black					8G1	sand beige			
	5R3	steel grey					8YR	black			
	5S4	sand beige				(29)	955 552 310 00	armrest	-05	1	I6E6/9ZP
	5Y5	palmgreen						centre console plain leather			
(29)	955 552 308 00	armrest	-05	1	I6E3/9ZP		4P1	palmgreen			
		centre console leatherette					6B7	steel grey			
	5Q2	black					8G1	sand beige			
	5R3	steel grey				(29)	955 552 310 01	armrest	06-	1	I6E6/9ZP
	5S4	sand beige						centre console plain leather			
	5Y5	palmgreen					4P1	palmgreen			
(29)	955 552 308 01	armrest	06-	1	I6E3/9ZP		6B7	steel grey			
		centre console leatherette					8G1	sand beige			
							8YR	black			

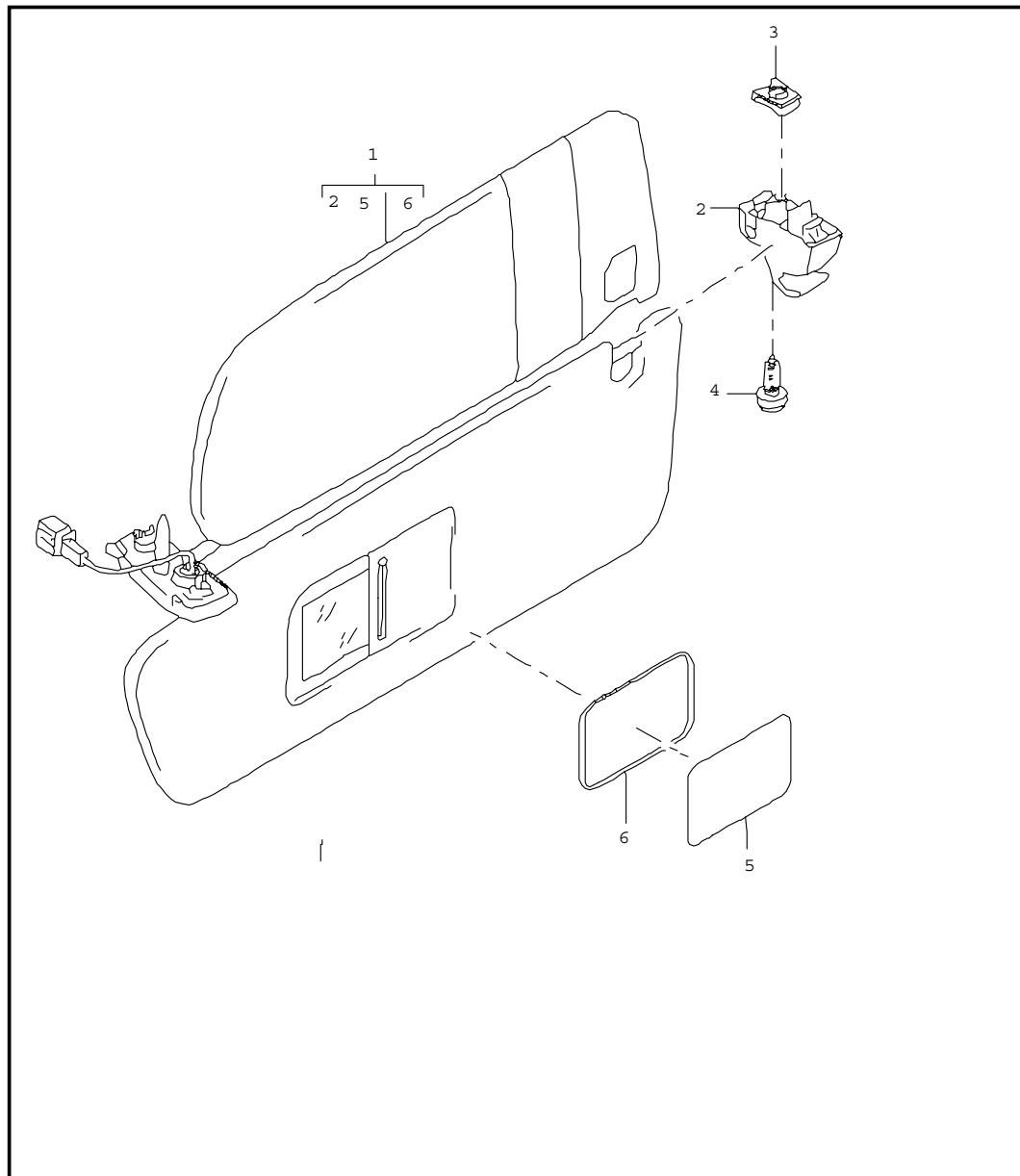
Model	Year	MG	SG	Illustration	Restrictions	Update	18:57	16.08.2006	PORSCHE	PET	PORSCHE
9pa	06	8	09	809-15		203					

Pos	Part Number	Name	Remarks	Qty	Model	Pos	Part Number	Name	Remarks	Qty	Model
29	955 552 311 00	armrest centre console leather embossed A08 black T25 sand beige 4Q2 palmgreen 6E1 steel grey	-05	1	I6E7/9W0/ I9W1/9ZF/9ZT	31	955 552 321 00	centre console 5Q2 black 5R3 steel grey 5S4 sand beige 5Y5 palmgreen		1	I3D1/3D3/ I9AB/9AD
29	955 552 311 01	armrest centre console leather embossed A08 black T25 sand beige 4Q2 palmgreen 6E1 steel grey	06-	1	I6E7/9W0/ I9W1/9ZF/9ZT	(31)	955 552 322 00	centre console 5Q2 black 5R3 steel grey 5S4 sand beige 5Y5 palmgreen		1	I3D1/3D3/9AH
(29)	955 552 312 00	armrest centre console leather embossed A08 black T25 sand beige 4Q2 palmgreen 6E1 steel grey		1	I6E7/9ZP	(31)	955 552 323 00	centre console leather 4P1 palmgreen 6B7 steel grey 8G1 sand beige 8YR black		1	I3D8/9AB/9AD
(29)	955 552 312 01	armrest centre console leather embossed A08 black T25 sand beige 4Q2 palmgreen 6E1 steel grey	06-	1	I6E7/9ZP	(31)	955 552 324 00	centre console leather 4P1 palmgreen 6B7 steel grey 8G1 sand beige 8YR black		1	I3D8/9AH
30	955 552 107 00	fixing clip centre console		X		32	955 552 497 00	cap centre console 5Q2 black 5R3 steel grey 5S4 sand beige 5Y5 palmgreen		1	I3D1/3D3/ I9AB/9AD
						(32)	955 552 498 00	cap centre console		1	I3D1/3D3/9AH

Model	Year	MG	SG	Illustration	Restrictions	Update	18:57	16.08.2006	PORSCHE	PET	PORSCHE
9pa	06	8	09	809-15		203					

Pos	Part Number	Name	Remarks	Qty	Model	Pos	Part Number	Name	Remarks	Qty	Model
	5Q2	black				38	955 552 591 00	cover for illumination centre console		1	
	5R3	steel grey									
	5S4	sand beige									
	5Y5	palmgreen				39	N 911 382 01	hinge bolt centre console		2	
(32)	955 552 499 00	cap centre console leather		1	I3D8/9AB/9AD	40	N 012 325 7	lock washer		2	
	4P1	palmgreen				41	955 552 265 00	shade cover shift gate		1	IGOR
	6B7	steel grey						- - - E N D - - -			
	8G1	sand beige									
	8YR	black									
(32)	955 552 500 00	cap centre console leather		1	I3D8/9AH						
	4P1	palmgreen									
	6B7	steel grey									
	8G1	sand beige									
	8YR	black									
33	955 552 698 00	release armrest		1							
	A03	black									
	7BA	steel grey									
	5Y2	palmgreen									
	5Z1	sand beige									
34	955 552 089 00	bracket cap		1	I9AB/9AD						
(34)	955 552 090 00	bracket cap		1	I9AH						
35	N 906 988 01	speed nut ST 4,2 X 16 X 12		X							
36	N 906 986 01	tapping screw ST 4,2 X 16		X							
37	955 552 861 00	damper centre console		2							

Model	Year	MG	SG	Illustration	Restrictions	Update	18:57	16.08.2006	PORSCHE	PET	PORSCHE
9pa	06	8	09	809-25		203					



Pos	Part Number	Name	Remarks	Qty	Model
1	955 731 135 02	sun visors sun visor cloth	/L -05	1	I3FA/3FE/6NJ
	6K1	sand beige			
	6L2	steel grey			
	6M3	palmgreen			
(1)	955 731 136 01	sun visor cloth	/R -04	1	I3FA/3FE/6NJ
	6K1	sand beige			
	6L2	steel grey			
	6M3	palmgreen			
(1)	955 731 136 02	sun visor cloth	/R 05	1	I3FA/3FE/6NJ
	6K1	sand beige			
	6L2	steel grey			
	6M3	palmgreen			
1	955 731 135 03	sun visor leatherette	/L 05-	1	I3FA/3FE/6NJ
	7E3	sand beige			
	7V4	steel grey			
	7W5	palmgreen			
1	955 731 136 03	sun visor leatherette	/R 05-	1	I3FA/3FE/6NJ
	7E3	sand beige			
	7V4	steel grey			
	7W5	palmgreen			
1	955 731 141 01	sun visor cloth	/L 05	1	I3FU/6NJ
	6K1	sand beige			
	6L2	steel grey			
	6M3	palmgreen			
(1)	955 731 142 01	sun visor cloth	/R 05	1	I3FU/6NJ

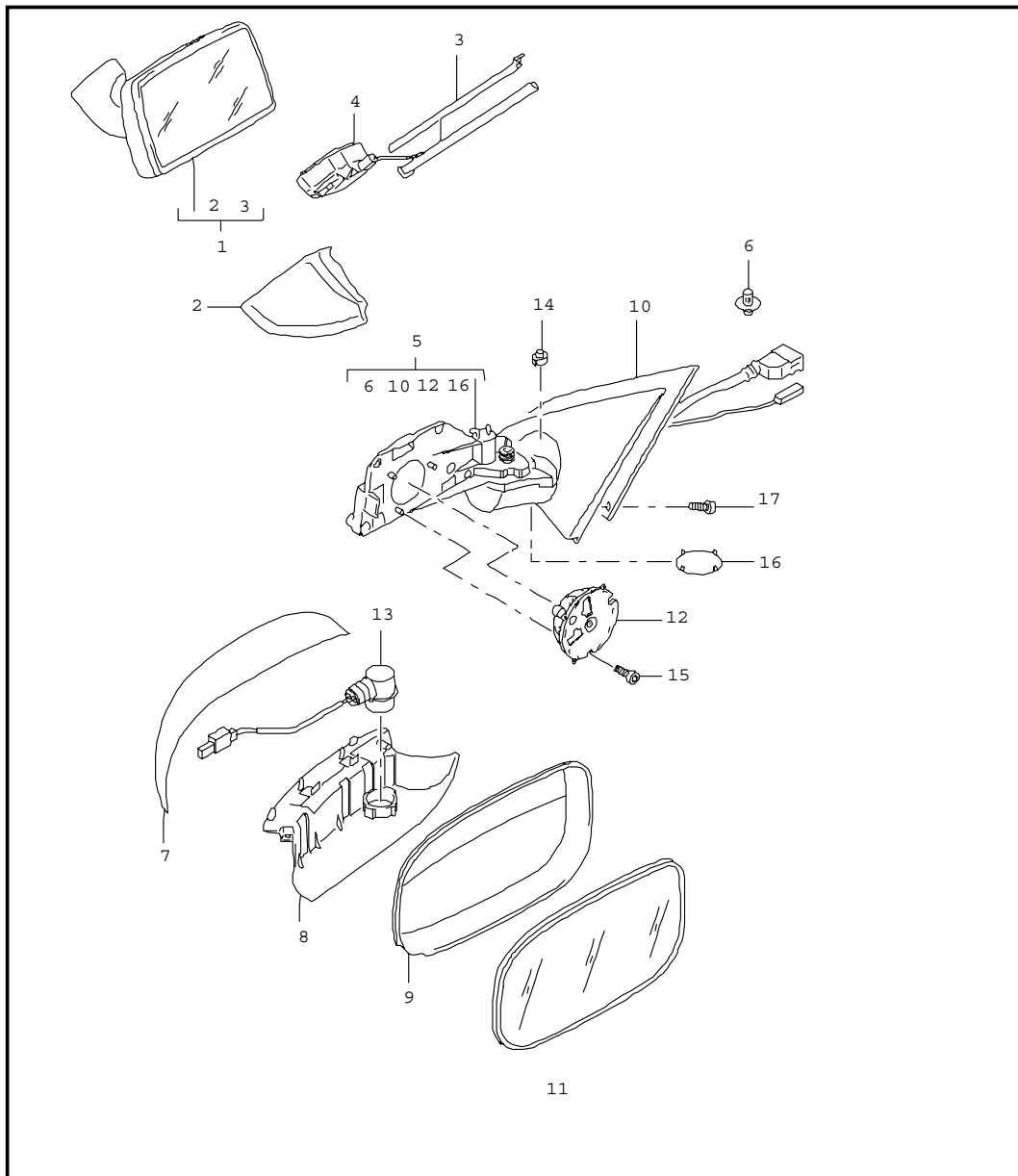
Model	Year	MG	SG	Illustration	Restrictions	Update	18:57	16.08.2006	PORSCHE	PET	PORSCHE
9pa	06	8	09	809-25		203					

Pos	Part Number	Name	Remarks	Qty	Model	Pos	Part Number	Name	Remarks	Qty	Model
(1)	955 731 141 02	6K1 sand beige 6L2 steel grey 6M3 palmgreen sun visor leatherette	/L 05-	1	I3FU/6NJ	(1)	955 731 154 01	sun visor alcantara	/R	1	I3FU/6NN
(1)	955 731 142 02	7E3 sand beige 7V4 steel grey 7W5 palmgreen sun visor leatherette	/R 05-	1	I3FU/6NJ	2	955 731 827 00	5E5 steel grey 5E6 black 5G6 sand beige 5L6 palmgreen mounting sun visor	/L	1	I3FA/3FE
(1)	955 731 147 03	7A8 steel grey sun visor alcantara	/L	1	I3FA/3FE/6NN	(2)	955 731 828 00	01C satin black 6C6 sand beige 6H8 palmgreen 7A8 steel grey mounting sun visor	/R	1	I3FA/3FE
(1)	955 731 148 03	5E5 steel grey 5E6 black 5G6 sand beige 5L6 palmgreen sun visor alcantara	/R	1	I3FA/3FE/6NN	(2)	955 731 829 00	01C satin black 6C6 sand beige 6H8 palmgreen 7A8 steel grey mounting sun visor	/L 05-	1	I3FU
1	955 731 153 01	5E5 steel grey 5E6 black 5G6 sand beige 5L6 palmgreen sun visor alcantara	/L	1	I3FU/6NN	(2)	955 731 830 00	01C satin black 6C6 sand beige 6H8 palmgreen 7A8 steel grey mounting sun visor	/R 05-	1	I3FU

Model	Year	MG	SG	Illustration	Restrictions	Update					
9pa	06	8	09	809-25		203	18:57	16.08.2006	PORSCHE	PET	PORSCHE

Pos	Part Number	Name	Remarks	Qty	Model	Pos	Part Number	Name	Remarks	Qty	Model
3	N 907 798 01	speed nut for mounting sun visor		6							
4	N 105 665 01	tapping screw ST 4,8 X 25 for mount mounting sun visor		6							
5	955 731 567 01	make-up mirror		1							
6	955 731 643 01	frame make-up mirror		1							
		- - - E N D - - -									

Model	Year	MG	SG	Illustration	Restrictions	Update	18:57	16.08.2006	PORSCHE	PET	PORSCHE
9pa	06	8	09	809-30		203					



Pos	Part Number	Name	Remarks	Qty	Model
1	955 731 512 00	rear-view mirror door mirror accessories		1	I4L2
	01C	interior mirror manual dipping	/LL -05	1	I4L2
	01C	satin black			
(1)	955 731 513 00	interior mirror manual dipping	/RL -05	1	I4L2
	01C	satin black			
1	955 731 512 01	interior mirror manual dipping	06-	1	I4L2
	01C	satin black			
1	955 731 514 01	interior mirror automatic dipping		1	I4L6
	01C	satin black			
2	955 731 517 00	cap rear-view mirror	/L	1	
	01C	satin black			
(2)	955 731 518 00	cap rear-view mirror	/R	1	
	01C	satin black			
3	955 731 519 00	cover rear-view mirror upper part		1	
	01C	satin black			
3	955 731 520 00	cover rear-view mirror lower part		1	
	01C	satin black			
4	---	rain sensor rear-view mirror see group 9/04/00		1	
5	955 731 221 00	mirror base door mirror	/LL/L-05	1	I6XP/9TH

Model	Year	MG	SG	Illustration	Restrictions	Update	18:57	16.08.2006	PORSCHE	PET	PORSCHE
9pa	06	8	09	809-30		203					

Pos	Part Number	Name	Remarks	Qty	Model	Pos	Part Number	Name	Remarks	Qty	Model
	01C	satin black				5	955 731 227 00	mirror base door mirror	/LL/L-05	1	I6XW
5	955 731 221 01	mirror base door mirror	/LL/L06-	1	I6XP/9TH		01C	satin black			
	01C	satin black				5	955 731 227 01	mirror base door mirror	/LL/L06-	1	I6XW
(5)	955 731 222 00	mirror base door mirror	/LL/R-05	1	I6XP/9TH		01C	satin black			
	01C	satin black				(5)	955 731 228 00	mirror base door mirror	/LL/R-05	1	I6XW
(5)	955 731 222 01	mirror base door mirror	/LL/R06-	1	I6XP/9TH		01C	satin black			
	01C	satin black				(5)	955 731 228 01	mirror base door mirror	/LL/R06-	1	I6XW
5	955 731 223 00	mirror base door mirror	/LL/L-05	1	I6XP/9TF		01C	satin black			
	01C	satin black				5	955 731 229 00	mirror base door mirror	/LL/L-05	1	I6XT
5	955 731 223 01	mirror base door mirror	/LL/L06-	1	I6XP/9TF		01C	satin black			
	01C	satin black				5	955 731 229 01	mirror base door mirror	/LL/L06-	1	I6XT
(5)	955 731 224 00	mirror base door mirror	/LL/R-05	1	I6XP/9TF		01C	satin black			
	01C	satin black				(5)	955 731 230 00	mirror base door mirror	/LL/R-05	1	I6XT
(5)	955 731 224 01	mirror base door mirror	/LL/R06-	1	I6XP/9TF		01C	satin black			
	01C	satin black				(5)	955 731 230 01	mirror base door mirror	/LL/R06-	1	I6XT
5	955 731 225 00	mirror base door mirror	/LL/L-05	1	I6XQ		01C	satin black			
	01C	satin black				(5)	955 731 231 00	mirror base door mirror	/RL/L-05	1	I6XP/9TH
5	955 731 225 01	mirror base door mirror	/LL/L06-	1	I6XQ		01C	satin black			
	01C	satin black				(5)	955 731 231 01	mirror base door mirror	/RL/L06-	1	I6XP/9TH
(5)	955 731 226 00	mirror base door mirror	/LL/R-05	1	I6XQ		01C	satin black			
	01C	satin black				(5)	955 731 232 00	mirror base door mirror	/RL/R-05	1	I6XP/9TH
(5)	955 731 226 01	mirror base door mirror	/LL/R06-	1	I6XQ		01C	satin black			
	01C	satin black				(5)	955 731 232 01	mirror base door mirror	/RL/R06-	1	I6XP/9TH

Model	Year	MG	SG	Illustration	Restrictions	Update	18:57	16.08.2006	PORSCHE	PET	PORSCHE
9pa	06	8	09	809-30		203					

Pos	Part Number	Name	Remarks	Qty	Model	Pos	Part Number	Name	Remarks	Qty	Model
(5)	955 731 233 00	01C satin black mirror base door mirror	/RL/L-05	1	I6XP/9TF	(5)	955 731 238 01	01C satin black mirror base door mirror	/RL/R06-	1	I6XW
(5)	955 731 233 01	01C satin black mirror base door mirror	/RL/L06-	1	I6XP/9TF	(5)	955 731 239 00	01C satin black mirror base door mirror	/RL/L-05	1	I6XT
(5)	955 731 234 00	01C satin black mirror base door mirror	/RL/R-05	1	I6XP/9TF	(5)	955 731 239 01	01C satin black mirror base door mirror	/RL/L06-	1	I6XT
(5)	955 731 234 01	01C satin black mirror base door mirror	/RL/R06-	1	I6XP/9TF	(5)	955 731 240 00	01C satin black mirror base door mirror	/RL/R-05	1	I6XT
(5)	955 731 235 00	01C satin black mirror base door mirror	/RL/L-05	1	I6XQ	(5)	955 731 240 01	01C satin black mirror base door mirror	/RL/R06-	1	I6XT
(5)	955 731 235 01	01C satin black mirror base door mirror	/RL/L06-	1	I6XQ	6	955 731 843 00	GRU prime coated cable holder wiring harness mirror base		2	
(5)	955 731 236 00	01C satin black mirror base door mirror	/RL/R-05	1	I6XQ	7	955 731 619 01	GRU prime coated mirror housing door mirror top half	/L	1	
(5)	955 731 236 01	01C satin black mirror base door mirror	/RL/R06-	1	I6XQ	(7)	955 731 620 01	GRU prime coated mirror housing door mirror top half	/R	1	
(5)	955 731 237 00	01C satin black mirror base door mirror	/RL/L-05	1	I6XW	8	955 731 621 01	GRU prime coated mirror housing door mirror bottom half	/L	1	I9TH
(5)	955 731 237 01	01C satin black mirror base door mirror	/RL/L06-	1	I6XW	(8)	955 731 622 01	GRU prime coated mirror housing door mirror bottom half	/R	1	I9TH
(5)	955 731 238 00	01C satin black mirror base door mirror	/RL/R-05	1	I6XW	(8)	955 731 623 01	GRU prime coated mirror housing door mirror bottom half	/L	1	I9TF
		01C satin black						GRU prime coated			

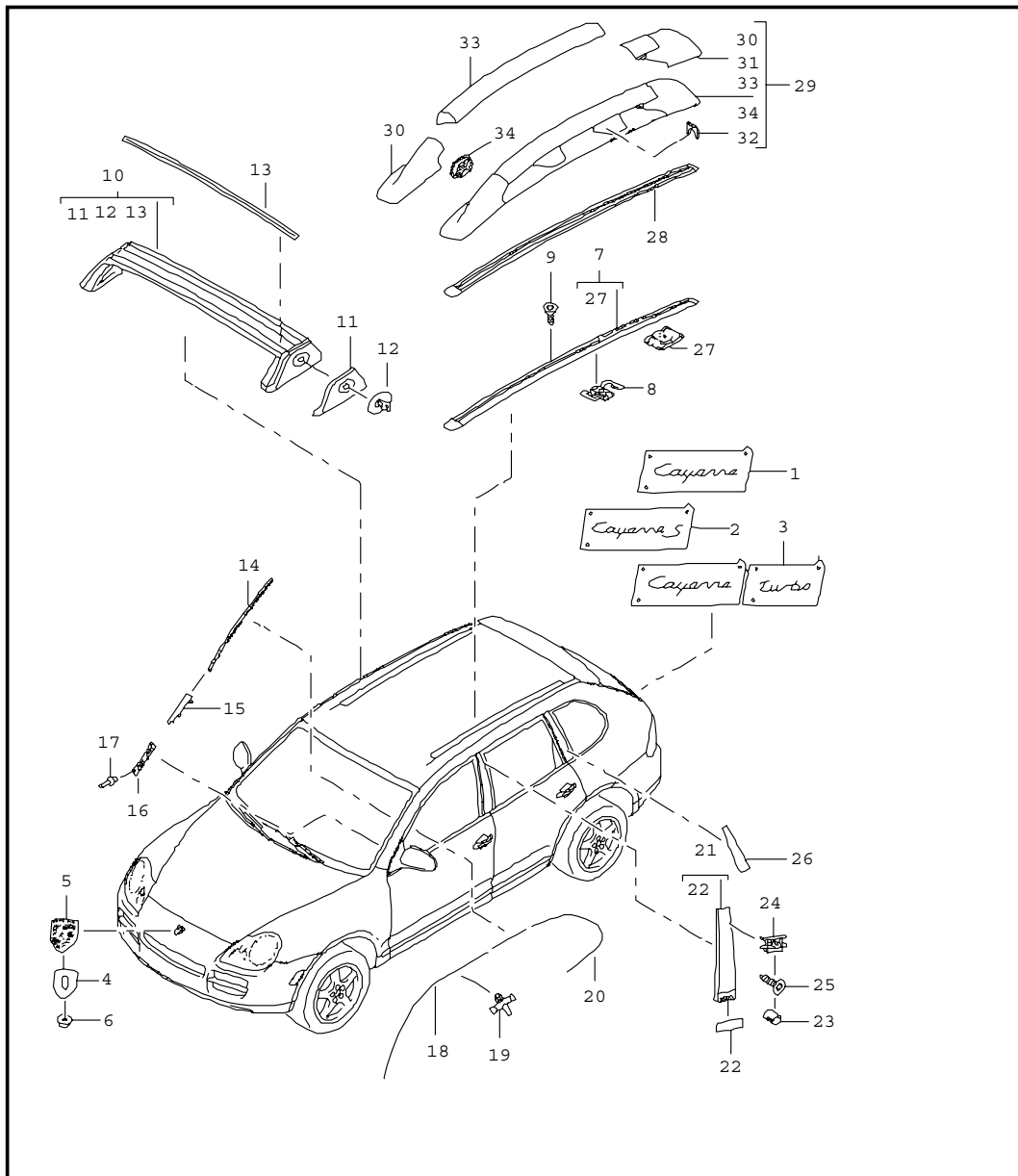
Model	Year	MG	SG	Illustration	Restrictions	Update	18:57	16.08.2006	PORSCHE	PET	PORSCHE
9pa	06	8	09	809-30		203					

Pos	Part Number	Name	Remarks	Qty	Model	Pos	Part Number	Name	Remarks	Qty	Model
(8)	955 731 624 01	mirror housing door mirror bottom half	/R	1	I9TF	(11)	955 731 050 01	mirror glass plan	/R 06-	1	I5RK/6XP/6XQ
	GRU	prime coated				(11)	955 731 054 00	mirror glass plan	/R -05	1	I5RK/6XT/6XW
9	955 731 523 00	cover door mirror mirror housing	/L	1		(11)	955 731 054 01	mirror glass plan	/R 06-	1	I5RK/6XT/6XW
	GRU	prime coated				(11)	955 731 052 00	mirror glass	/R -05	1	I5RV/6XP/6XQ
(9)	955 731 524 00	cover door mirror mirror housing	/R	1		(11)	955 731 052 01	mirror glass	/R 06-	1	I5RV/6XP/6XQ
	GRU	prime coated				(11)	955 731 056 00	mirror glass	/R -05	1	I5RV/6XT/6XW
						(11)	955 731 056 01	mirror glass aspherical	/R 06-	1	I5RV/6XT/6XW
10	955 731 833 01	insulation door mirror mirror base	/L	1		(11)	955 731 038 00	mirror glass	/R -05	1	I5RQ/6XP/6XQ
(10)	955 731 834 01	insulation door mirror mirror base	/R	1		(11)	955 731 038 01	mirror glass	/R 06-	1	I5RQ/6XP/6XQ
11	955 731 037 00	mirror glass plan	/L -05	1	I5SG/6XP/6XQ	(11)	955 731 046 00	mirror glass	/R -05	1	I5RQ/6XT/6XW
11	955 731 037 01	mirror glass plan	/L 06-	1	I5SG/6XP/6XQ	(11)	955 731 046 01	mirror glass convex	/R 06-	1	I5RQ/6XT/6XW
11	955 731 043 00	mirror glass plan	/L -05	1	I5SG/6XT/6XW	(11)	955 731 042 00	mirror glass convex	/R -05	1	(SA) : I5RT/ I6XP/6XQ
11	955 731 043 01	mirror glass plan	/L 06-	1	I5SG/6XT/6XW	(11)	955 731 042 01	mirror glass convex	/R 06-	1	(SA) : I5RT/ I6XP/6XQ
(11)	955 731 039 00	mirror glass	/L -05	1	I5SL/6XP/6XQ	(11)	955 731 044 00	mirror glass convex	/R -05	1	(SA) : I5RT/ I6XT/6XW
(11)	955 731 039 01	mirror glass	/L 06-	1	I5SL/6XP/6XQ	(11)	955 731 044 01	mirror glass convex	/R 06-	1	(SA) : I5RT/ 6XT/6XW
(11)	955 731 045 00	mirror glass	/L -05	1	I5SL/6XT/6XW	12	955 624 047 00	adjusting motor	-05	2	I6XP/6XW
(11)	955 731 045 01	mirror glass aspherical	/L 06-	1	I5SL/6XT/6XW	12	955 624 047 01	adjusting motor	06-	2	I6XP/6XW
(11)	955 731 041 00	mirror glass	/L -05	1	I5SJ/6XP/6XQ	(12)	955 624 048 00	adjusting motor	-05	2	I6XQ/6XT
(11)	955 731 041 01	mirror glass	/L 06-	1	I5SJ/6XP/6XQ	(12)	955 624 048 01	adjusting motor	06-	2	I6XQ/6XT
(11)	955 731 047 00	mirror glass	/L -05	1	I5SJ/6XT/6XW	13	---	light door mirror see group 9/03/04		1	
(11)	955 731 047 01	mirror glass convex	/L 06-	1	I5SJ/6XT/6XW						
(11)	955 731 050 00	mirror glass plan	/R -05	1	I5RK/6XP/6XQ						

Model	Year	MG	SG	Illustration	Restrictions	Update	18:57	16.08.2006	PORSCHE	PET	PORSCHE
9pa	06	8	09	809-30		203					

Pos	Part Number	Name	Remarks	Qty	Model	Pos	Part Number	Name	Remarks	Qty	Model
14	955 731 215 00	clip mirror base		2							
15	N 903 539 01	screw M 3 X 10		7							
16	955 731 085 00	cap mirror base		1							
	01C	satin black									
17	N 908 163 01	oval-head screw M 6 X 18 for mount mirror base		3							
		- - - E N D - - -									

Model	Year	MG	SG	Illustration	Restrictions	Update	18:57	16.08.2006	PORSCHE	PET	PORSCHE
9pa	06	8	10	810-00		203					



Pos	Part Number	Name	Remarks	Qty	Model
1	955 559 237 00	insignias decorative fittings upper outer		1	ID9J/0NB
2	955 559 037 01	logo cayenne s		1	ID9K/0NB
3	955 559 038 01	logo cayenne turbo		1	ID9L/0NB
(3)	955 559 039 00	logo cayenne turbo s	06	1	ID9L/E8A/0NB
4	7L5 853 611 B	desk pad lid emblem		1	
5	996 559 211 00	lid emblem		1	
6	999 591 423 03	tapping nut		2	
7	955 559 151 01	guide rail	/L -04	1	I3FA/3FE/3S4
7	955 559 151 01	guide rail	/L -04	1	ID9J/D9K/I3FA/3FE/3S8
7	955 559 151 01	guide rail	/L 05-	1	ID9L/QJ4/I3FA/3FE
7	955 559 151 01	guide rail	/L 05-	1	ID9J/D9K/I3FA/3FE
(7)	955 559 152 01	guide rail	/R -04	1	I3FA/3FE/3S4
(7)	955 559 152 01	guide rail	/R -04	1	ID9J/D9K/I3FA/3FE/3S8
(7)	955 559 152 01	guide rail	/R 05-	1	ID9L/QJ4/I3FA/3FE
(7)	955 559 152 01	guide rail	/R 05-	1	ID9J/D9K/I3FA/3FE
7	955 559 153 01	guide rail	/L -04	1	I3FA/3FE/5W2
7	955 559 153 01	guide rail	/L -04	1	ID9L/3FA/I3FE/3S8

Model	Year	MG	SG	Illustration	Restrictions	Update	18:57	16.08.2006	PORSCHE	PET	PORSCHE
9pa	06	8	10	810-00		203					

Pos	Part Number	Name	Remarks	Qty	Model	Pos	Part Number	Name	Remarks	Qty	Model
7	955 559 153 01	guide rail	/L 05-	1	ID9L/QJ2/ I3FA/3FE	(9)	955 559 138 00	screw plug mount guide rail	-04	10	ID9L/3S8
(7)	955 559 154 01	guide rail	/R -04	1	I3FA/3FE/5W2	(9)	955 559 138 00	screw plug mount guide rail	05-	10	ID9L/QJ2/3FE
(7)	955 559 154 01	guide rail	/R -04	1	ID9L/3FA/ I3FE/3S8	(9)	955 559 139 00	screw plug mount guide rail	05-	12	ID9L/QJ4/3FU
(7)	955 559 154 01	guide rail	/R 05-	1	ID9L/QJ2/ I3FA/3FE	(9)	955 559 139 00	screw plug mount guide rail	05-	12	ID9J/D9K/3FU
7	955 559 155 02	guide rail	/L 05	1	ID9L/QJ4/3FU	(9)	955 559 140 00	screw plug mount guide rail	05-	10	ID9L/QJ2/3FU
7	955 559 155 02	guide rail	/L 05	1	ID9J/D9K/3FU	(9)	955 559 140 00	screw plug mount guide rail	05-	10	ID9L/QJ2/3FA I3FE
7	955 559 155 03	guide rail	/L 06-	1	ID9L/QJ4/3FU	10	---	roof rack front and rear see group TEQ2 0/50/00		2	I3S8
7	955 559 155 03	guide rail	/L 06-	1	ID9J/D9K/3FU	11	955 801 225 00	cap outer silver	/L -05	2	I3S8
(7)	955 559 156 02	guide rail	/R 05	1	ID9L/QJ4/3FU	11	955 801 225 01	cap outer silver	/L 06-	2	I3S8
(7)	955 559 156 02	guide rail	/R 05	1	ID9J/D9K/3FU	(11)	955 801 226 00	cap outer silver	/R	2	I3S8
(7)	955 559 156 03	guide rail	/R 06-	1	ID9L/QJ4/3FU	12	955 538 050 00	set of locks roof rack front and rear		2	I3S8
(7)	955 559 156 03	guide rail	/R 06-	1	ID9J/D9K/3FU	13	955 801 385 00	protective rubber roof rack front and rear		2	I3S8
7	955 559 157 02	guide rail	/L 05	1	ID9L/QJ2/3FU	14	955 559 327 00	water drain strip	/L	1	
7	955 559 157 03	guide rail	/L 06-	1	ID9L/QJ2/3FU		03C	rally black			
(7)	955 559 158 02	guide rail	/R 05	1	ID9L/QJ2/3FU	(14)	955 559 328 00	water drain strip	/R	1	
8	955 559 091 00	nut mount guide rail		8			03C	rally black			
9	955 559 137 00	screw plug mount guide rail	-04	10	I3S4		03C	rally black			
9	955 559 137 00	screw plug mount guide rail	-04	10	ID9J/D9K/3S8						
9	955 559 137 00	screw plug mount guide rail	05-	10	ID9J/D9K/3FE						
9	955 559 137 00	screw plug mount guide rail	05-	10	ID9L/QJ4/3FE						
(9)	955 559 138 00	screw plug mount guide rail	-04	10	I5W2						

Model	Year	MG	SG	Illustration	Restrictions	Update	18:57	16.08.2006	PORSCHE	PET	PORSCHE
9pa	06	8	10	810-00		203					

Pos	Part Number	Name	Remarks	Qty	Model	Pos	Part Number	Name	Remarks	Qty	Model
15	955 559 587 00	support water drain strip	/L	1		(21)	955 559 318 01	cover b-pillar	/R	1	IQJ2
	03C	rally black					4W9	satin aluminium			
(15)	955 559 588 00	support water drain strip	/R	1		21	955 559 319 00	cover b-pillar	/L 05-	1	IQJ4
	03C	rally black					XX2	black mat			
16	955 559 707 00	retaining clip for water drain strip		8		(21)	955 559 320 00	cover b-pillar	/R 05-	1	IQJ4
							XX2	black mat			
17	N 907 878 02	rivet AK 3,2 X 6,5 mount for retaining clip water drain strip		16		22	955 559 455 00	cap cover b-pillar	/L	1	
							B41	satin black			
18	955 559 485 00	roof edge strip front	/L	1	IQJ2	(22)	955 559 456 00	cap cover b-pillar	/R	1	
	4W9	satin aluminium					B41	satin black			
(18)	955 559 486 00	roof edge strip front	/R	1	IQJ2	23	N 904 325 02	expander nut DST 4,2 X 1,7 for mount cover b-pillar		8	
	4W9	satin aluminium									
18	955 559 485 00	roof edge strip front	/L 05-	1	IQJ4	24	955 559 337 00	support cover b-pillar	/L	1	
	XX2	black mat					B41	satin black			
(18)	955 559 486 00	roof edge strip front	/R 05-	1	IQJ4	(24)	955 559 338 00	support cover b-pillar	/R	1	
	XX2	black mat					B41	satin black			
19	955 559 585 00	clip mount roof edge strip front		28		25	N 909 868 01	tapping screw ST 4,2 X 13 for mount cover b-pillar	-05	8	
20	--- --- --- --	moulding side window glass rear see group 8/05/00		1							
21	955 559 317 01	cover b-pillar	/L	1	IQJ2						
	4W9	satin aluminium									

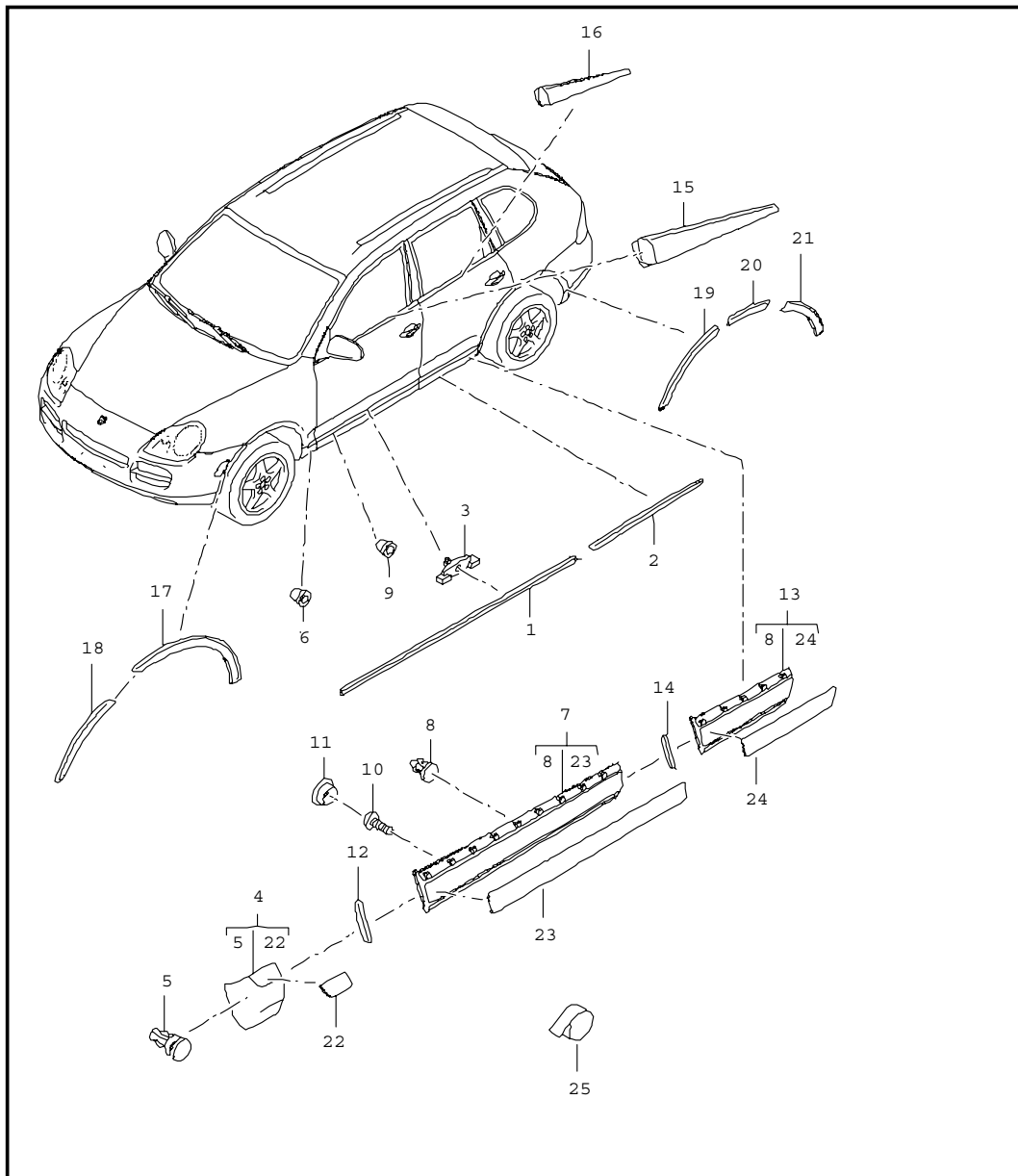
Model	Year	MG	SG	Illustration	Restrictions	Update	18:57	16.08.2006	PORSCHE	PET	PORSCHE
9pa	06	8	10	810-00		203					

Pos	Part Number	Name	Remarks	Qty	Model	Pos	Part Number	Name	Remarks	Qty	Model
25	N 909 868 02	tapping screw ST 4,2 X 13 for mount cover b-pillar	06-	8		32	955 559 381 01	threaded pin M 10 for fixing device bracket	04-	3	
26	--- --- --- --	cover c-pillar see group 8/05/00		1		33	955 559 025 01	roof rail centre part	/L -05	1	
							4W9	satin aluminium			I3S1/3S7
							XX2	black mat	05-		I3S2/3S5
27	955 559 089 00	desk pad guide rail		6		33	955 559 025 02	roof rail centre part	/L 06-	1	
28	955 559 465 00	protective strip roof	04	4	I3S1		4W9	satin aluminium			I3S1/3S7
28	955 559 465 00	protective strip roof	05-	4			XX2	black mat	05-		I3S2/3S5
		4W9 satin aluminium			I3S1	(33)	955 559 026 01	roof rail centre part	/R -05	1	
		XX2 black mat			I3S5		4W9	satin aluminium			I3S1/3S7
29	955 559 021 01	roof rail complete	/L -05	1			XX2	black mat	05-		I3S2/3S5
		4W9 satin aluminium			I3S1/3S7	(33)	955 559 026 02	roof rail centre part	/R 06-	1	
		XX2 black mat			I3S2/3S5		4W9	satin aluminium			I3S1/3S7
29	955 559 021 02	roof rail complete	/L 06-	1			XX2	black mat	05-		I3S2/3S5
		4W9 satin aluminium			I3S1/3S7	34	955 559 339 00	plug front		1	
		XX2 black mat			I3S2/3S5		4W9	satin aluminium			I3S1/3S7
(29)	955 559 022 01	roof rail complete	/R -05	1			XX2	black mat	05-		I3S2/3S5/5W0
		4W9 satin aluminium			I3S1/3S7	(34)	955 559 341 00	plug centre		1	
		XX2 black mat			I3S2/3S5		4W9	satin aluminium			I3S1/3S7
(29)	955 559 022 02	roof rail complete	/R 06-	1			XX2	black mat	05-		I3S2/3S5/5W0
		4W9 satin aluminium			I3S1/3S7	(34)	955 559 340 00	plug rear	04	1	
		XX2 black mat			I3S2/3S5	(34)	955 559 340 00	plug rear		1	
30	955 559 377 00	bracket front	/L 04-	1			4W9	satin aluminium	05-		I3S1/3S7
31	955 559 378 00	bracket rear	/R 04-	1			XX2	black mat	05-		I3S2/3S5/5W0

Model	Year	MG	SG	Illustration	Restrictions	Update					
9pa	06	8	10	810-00		203	18:57	16.08.2006	PORSCHE	PET	PORSCHE

Pos	Part Number	Name	Remarks	Qty	Model	Pos	Part Number	Name	Remarks	Qty	Model
		- - - E N D - - -									

Model	Year	MG	SG	Illustration	Restrictions	Update	18:58	16.08.2006	PORSCHE	PET	PORSCHE
9pa	06	8	10	810-05		203					



Pos	Part Number	Name	Remarks	Qty	Model
		decorative fittings lower outer			
1	955 559 303 01	door sill rail front	/L	1	
	01C	satin black			
(1)	955 559 304 00	door sill rail front	/R	1	
	01C	satin black			
2	955 559 305 00	door sill rail rear	/L	1	
	01C	satin black			
(2)	955 559 306 00	door sill rail rear	/R	1	
	01C	satin black			
3	955 559 547 00	clip mount door sill rail front and rear		16	
4	955 559 659 03	cover wing	/L	1	ID9J/D9K/QJ2 IVR1/VR3/VR4
	B41	satin black			
(4)	955 559 660 03	cover wing	/R	1	ID9J/D9K/QJ2 IVR1/VR3/VR4
	B41	satin black			
4	955 559 641 01	cover wing	/L	1	ID9J/D9K/D9L IQJ2/VR0
	G2X	prime coated			
(4)	955 559 642 01	cover wing	/R	1	ID9J/D9K/D9L IQJ2/VR0
	G2X	prime coated			
4	955 559 643 00	cover wing	/L -04	1	ID9L/QJ2/VR1 IVR3/VR4
	7E9	black/grey			

Model	Year	MG	SG	Illustration	Restrictions	Update	18:58	16.08.2006	PORSCHE	PET	PORSCHE
9pa	06	8	10	810-05		203					

Pos	Part Number	Name	Remarks	Qty	Model	Pos	Part Number	Name	Remarks	Qty	Model
4	955 559 643 01	cover	/L 05-	1	ID9L/QJ2/VR1 IVR3/VR4		7E9	black/grey			
		wing				4	955 559 649 01	cover	/L 06-	1	ID9L/QJ4/VR1 IVR3/VR4
	7E9	black/grey						wing			
(4)	955 559 644 00	cover	/R -04	1	ID9L/QJ2/VR1 IVR3/VR4		7E9	black/grey			
		wing				(4)	955 559 650 00	cover	/R 05	1	ID9L/QJ4/VR1 IVR3/VR4
	7E9	black/grey						wing			
(4)	955 559 644 01	cover	/R 05-	1	ID9L/QJ2/VR1 IVR3/VR4		7E9	black/grey			
		wing				(4)	955 559 650 01	cover	/R 06-	1	ID9L/QJ4/VR1 IVR3/VR4
	7E9	black/grey						wing			
4	955 559 645 00	cover	/L 05	1	ID9J/D9K/QJ4 IVR1/VR3/VR4		7E9	black/grey			
		wing				(4)	955 559 651 00	cover	/L 06-	1	ID9K/QJ5/VR0
	B41	satin black						wing			
4	955 559 645 01	cover	/L 06-	1	ID9J/D9K/QJ4 IVR1/VR3/VR4		G2X	prime coated			
		wing				(4)	955 559 652 00	cover	/R 06-	1	ID9K/QJ5/VR0
	B41	satin black						wing			
(4)	955 559 646 00	cover	/R 05	1	ID9J/D9K/QJ4 IVR1/VR3/VR4		G2X	prime coated			
		wing				5	955 559 719 00	clip		X	
	B41	satin black				6	955 559 586 00	grommet mount cover wing		8	
(4)	955 559 646 01	cover	/R 06-	1	ID9J/D9K/QJ4 IVR1/VR3/VR4						
		wing				7	955 559 663 03	strip	/L	1	ID9J/D9K/QJ2 IVR1/VR3
	B41	satin black						door front			
4	955 559 647 01	cover	/L 05-	1	ID9J/D9K/D9L IQJ4/VR0		B41	satin black			
		wing				(7)	955 559 664 03	strip	/R	1	ID9J/D9K/QJ2 IVR1/VR3
	G2X	prime coated						door front			
(4)	955 559 648 01	cover	/R 05-	1	ID9J/D9K/D9L IQJ4/VR0		B41	satin black			
		wing				7	955 559 665 01	strip	/L	1	ID9J/D9K/D9L IQJ2/VR0
	G2X	prime coated						door front			
4	955 559 649 00	cover	/L 05	1	ID9L/QJ4/VR1 IVR3/VR4		G2X	prime coated			
		wing									

Model	Year	MG	SG	Illustration	Restrictions	Update	18:58	16.08.2006	PORSCHE	PET	PORSCHE
9pa	06	8	10	810-05		203					

Pos	Part Number	Name	Remarks	Qty	Model	Pos	Part Number	Name	Remarks	Qty	Model
(7)	955 559 666 01	strip door front G2X prime coated	/R	1	ID9J/D9K/D9L IQJ2/VR0	7	955 559 675 01	strip door front lacquered 7E9 black-grey	/L 06-	1	ID9L/QJ4/VR1 IVR3/VR4
7	955 559 669 01	strip door front lacquered 7E9 black/grey	/L	1	ID9L/QJ2/VR1 IVR3/VR4	(7)	955 559 676 00	strip door front lacquered 7E9 black-grey	/R 05	1	ID9L/QJ4/VR1 IVR3/VR4
(7)	955 559 670 01	strip door front lacquered 7E9 black/grey	/R	1	ID9L/QJ2/VR1 IVR3/VR4	(7)	955 559 676 01	strip door front lacquered 7E9 black-grey	/R 06-	1	ID9L/QJ4/VR1 IVR3/VR4
7	955 559 671 01	strip door front B41 satin black	/L 05-	1	ID9J/D9K/VR1 IVR3/VR4	(7)	955 559 677 00	strip door front G2X prime coated	/L 06	1	ID9K/QJ5/VR0
(7)	955 559 672 01	strip door front B41 satin black	/R 05-	1	ID9J/D9K/QJ4 IVR1/VR3/VR4	(7)	955 559 678 00	strip door front G2X prime coated	06	1	ID9K/QJ5/VR0
7	955 559 673 01	strip door front G2X prime coated	/L 05-	1	ID9J/D9K/D9L IQJ4/VR0	8	955 559 069 00	clip		X	
(7)	955 559 674 01	strip door front G2X prime coated	/R 05-	1	ID9J/D9K/D9L IQJ4/VR0	9	955 559 586 00	grommet mount strip door seal front and rear		24	
7	955 559 675 00	strip door front lacquered 7E9 black-grey	/L 05	1	ID9L/QJ4/VR1 IVR3/VR4	10	N 906 448 01	screw M 5 X 9,0 mount strip door seal front and rear	-05	4	
						10	N 906 448 05	screw M 5 X 9,0 mount strip door seal front and rear	06-	4	

Model	Year	MG	SG	Illustration	Restrictions	Update	18:58	16.08.2006	PORSCHE	PET	PORSCHE
9pa	06	8	10	810-05		203					

Pos	Part Number	Name	Remarks	Qty	Model	Pos	Part Number	Name	Remarks	Qty	Model
11	955 559 108 00	plug for strip door seal front and rear		4			7E9	black/grey			
12	955 559 189 00	cover front	/L	1		13	955 559 685 01	strip door rear	/L 05-	1	ID9J/D9K/QJ4 IVR1/VR3/VR4
	B41	satin black					B41	satin black			
(12)	955 559 190 00	cover front	/R	1		(13)	955 559 686 01	strip door rear	/R 05-	1	ID9J/D9K/QJ4 IVR1/VR3/VR4
	B41	satin black					B41	satin black			
13	955 559 667 03	strip door rear	/L	1	ID9J/D9K/QJ2 IVR1/VR3/VR4	13	955 559 687 01	strip door rear	/L 05-	1	ID9J/D9K/D9L IQJ4/VR0
	B41	satin black					G2X	prime coated			
(13)	955 559 668 03	strip door rear	/R	1	ID9J/D9K/QJ2 IVR1/VR3/VR4	(13)	955 559 688 01	strip door rear	/R 05-	1	ID9J/D9K/D9L IQJ4/VR0
	B41	satin black					G2X	prime coated			
13	955 559 681 01	strip door rear	/L	1	ID9J/D9K/D9L IQJ2/VR0	13	955 559 689 00	strip door rear lacquered	/L 05	1	ID9L/QJ4/VR1 IVR3/VR4
	G2X	prime coated					7E9	black/grey			
(13)	955 559 682 01	strip door rear	/R	1	ID9J/D9K/D9L IQJ2/VR0	13	955 559 689 01	strip door rear lacquered	/L 06-	1	ID9L/QJ4/VR1 IVR3/VR4
	G2X	prime coated					7E9	black/grey			
13	955 559 683 01	strip door rear lacquered	/L 05-	1	ID9L/QJ2/VR1 IVR3/VR4	(13)	955 559 690 00	strip door rear lacquered	/R 05	1	ID9L/QJ4/VR1 IVR3/VR4
	7E9	black/grey					7E9	black/grey			
(13)	955 559 684 01	strip door rear lacquered	/R 05-	1	ID9L/QJ2/VR1 IVR3/VR4		7E9	black/grey			

Model	Year	MG	SG	Illustration	Restrictions	Update	18:58	16.08.2006	PORSCHE	PET	PORSCHE
9pa	06	8	10	810-05		203					

Pos	Part Number	Name	Remarks	Qty	Model	Pos	Part Number	Name	Remarks	Qty	Model
(13)	955 559 690 01	strip door rear lacquered 7E9 black/grey	/R 06-	1	ID9L/QJ4/VR1 IVR3/VR4	(15)	955 559 480 10	titanium metallic cover side window front	/R 06-	1	IQJ5
(13)	955 559 679 00	strip door rear G2X prime coated	/L 06-	1	ID9K/QJ5/VR0	16	955 559 477 01	titanium metallic cover side window rear	/L	1	IQJ2
(13)	955 559 680 00	strip door rear G2X prime coated	/R 06-	1	ID9K/QJ5/VR0	(16)	955 559 478 01	satin aluminium cover side window rear	/R	1	IQJ2
14	955 559 191 00	cover rear B41 satin black	/L	1		16	955 559 481 00	satin aluminium cover side window rear	/L 05-	1	IQJ4
(14)	955 559 192 00	cover rear B41 satin black	/R	1		(16)	955 559 482 00	black mat cover side window rear	/R 05-	1	IQJ4
15	955 559 475 01	cover side window front 4W9 satin aluminium	/L	1	IQJ2		XX2 black mat				
(15)	955 559 476 01	cover side window front 4W9 satin aluminium	/R	1	IQJ2	16	955 559 481 10	black mat cover side window rear	/L 06-	1	IQJ5
15	955 559 479 00	cover side window front XX2 black mat	/L 05-	1	IQJ4	(16)	955 559 482 10	titanium metallic cover side window rear	/R 06-	1	IQJ5
15	955 559 480 00	cover side window front XX2 black mat	/R 05-	1	IQJ4	17	955 559 717 00	titanium metallic wheel cover wing front	/L	1	I6GE/6GF
15	955 559 479 10	cover side window front	/L 06-	1	IQJ5	(17)	955 559 718 00	black wheel cover wing front	/R	1	I6GE/6GF

Model	Year	MG	SG	Illustration	Restrictions	Update	18:58	16.08.2006	PORSCHE	PET	PORSCHE
9pa	06	8	10	810-05		203					

Pos	Part Number	Name	Remarks	Qty	Model	Pos	Part Number	Name	Remarks	Qty	Model
17	955 559 717 00	wheel cover wing front	/L	1	I6GF/(J)		GRU	prime coated			
		GRU prime coated				20	955 559 721 00	wheel cover side section rear	/L	1	I6GE/6GF
(17)	955 559 718 00	wheel cover wing front	/R	1	I6GF/(J)		7E9	black			
		GRU prime coated				(20)	955 559 722 00	wheel cover side section rear	/R	1	I6GE/6GF
18	955 559 727 00	wheel cover bumper front	/L	1	I6GE/6GF		7E9	black			
		7E9 black				20	955 559 721 00	wheel cover side section rear	/L	1	I6GF/(J)
(18)	955 559 728 00	wheel cover bumper front	/R	1	I6GE/6GF		GRU	prime coated			
		7E9 black				20	955 559 722 00	wheel cover side section rear	/R	1	I6GF/(J)
18	955 559 727 00	wheel cover bumper front	/L	1	I6GF/(J)		GRU	prime coated			
		GRU prime coated				21	955 559 747 00	wheel cover bumper rear	/L	1	I6GE/6GF
(18)	955 559 728 00	wheel cover bumper front	/R	1	I6GF/(J)		7E9	black			
		GRU prime coated				(21)	955 559 748 00	wheel cover bumper rear	/R	1	I6GE/6GF
19	955 559 737 00	wheel cover door rear	/L	1	I6GE/6GF		7E9	black			
		7E9 black				21	955 559 747 00	wheel cover bumper rear	/L	1	I6GF/(J)
(19)	955 559 738 00	wheel cover door rear	/R	1	I6GE/6GF		GRU	prime coated			
		7E9 black				(21)	955 559 748 00	wheel cover bumper rear	/R	1	I6GF/(J)
19	955 559 737 00	wheel cover door rear	/L	1	I6GF/(J)		GRU	prime coated			
		GRU prime coated				(21)	955 559 749 01	wheel cover bumper rear	/L	1	I6GE
19	955 559 738 00	wheel cover door rear	/R	1	I6GF/(J)		7E9	black			

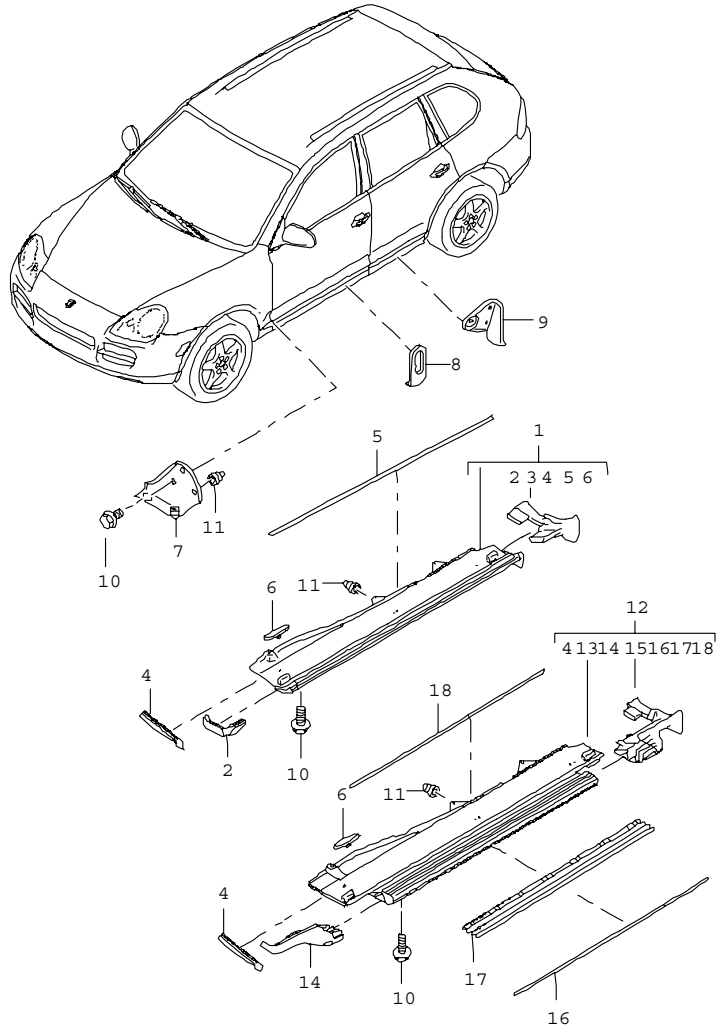
Model	Year	MG	SG	Illustration	Restrictions	Update	18:58	16.08.2006	PORSCHE	PET	PORSCHE
9pa	06	8	10	810-05		203					

Pos	Part Number	Name	Remarks	Qty	Model	Pos	Part Number	Name	Remarks	Qty	Model
(21)	955 559 750 01	wheel cover bumper rear	/R	1	I6GE		4W9	satin aluminium			
	7E9	black				(23)	955 559 284 02	moulding door front	/R 05-	1	IQJ2
22	955 559 457 02	moulding cover wing	/L	1	IQJ2		4W9	satin aluminium			
	4W9	satin aluminium				23	955 559 287 01	moulding door front	/L 05-	1	IQJ4
(22)	955 559 458 02	moulding cover wing	/R	1	IQJ2		XX2	black mat			
	4W9	satin aluminium				(23)	955 559 288 01	moulding door front	/R 05-	1	IQJ4
22	955 559 459 01	moulding cover wing	/L 05-	1	IQJ4		XX2	black mat			
	XX2	black mat				(23)	955 559 287 10	moulding door front	/L 06-	1	IQJ5
(22)	955 559 460 01	moulding cover wing	/R 05-	1	IQJ4		D7Z	titanium metallic			
	XX2	black mat				(23)	955 559 288 10	moulding door front	/R 06-	1	IQJ5
22	955 559 461 00	moulding cover wing	/L 06-	1	IQJ5		D7Z	titanium metallic			
	D7Z	titanium metallic				24	955 559 285 02	moulding door rear	/L	1	IQJ2
(22)	955 559 462 00	moulding cover wing	/R 06-	1	IQJ5		4W9	satin aluminium			
	D7Z	titanium metallic				(24)	955 559 286 02	moulding door rear	/R	1	IQJ2
23	955 559 283 01	moulding door front	/L -04	1	IQJ2		4W9	satin aluminium			
	4W9	satin aluminium				24	955 559 289 01	moulding door rear	/L 05-	1	IQJ4
23	955 559 283 02	moulding door front	/L 05-	1	IQJ2		XX2	black mat			
	4W9	satin aluminium				(24)	955 559 290 01	moulding door rear	/R 05-	1	IQJ4
(23)	955 559 284 01	moulding door front	/R -04	1	IQJ2		XX2	black mat			

Model	Year	MG	SG	Illustration	Restrictions	Update	18:58	16.08.2006	PORSCHE	PET	PORSCHE
9pa	06	8	10	810-05		203					

Pos	Part Number	Name	Remarks	Qty	Model	Pos	Part Number	Name	Remarks	Qty	Model
(24)	955 559 291 00	moulding door rear D7Z titanium metallic	/L 06-	1	IQJ5						
(24)	955 559 292 00	moulding door rear D7Z titanium metallic	/R 06-	1	IQJ5						
25	000 043 206 04	adhesive tape mount moulding - - - E N D - - -		1							

Model	Year	MG	SG	Illustration	Restrictions	Update	18:58	16.08.2006	PORSCHE	PET	PORSCHE
9pa	06	8	10	810-10		203					

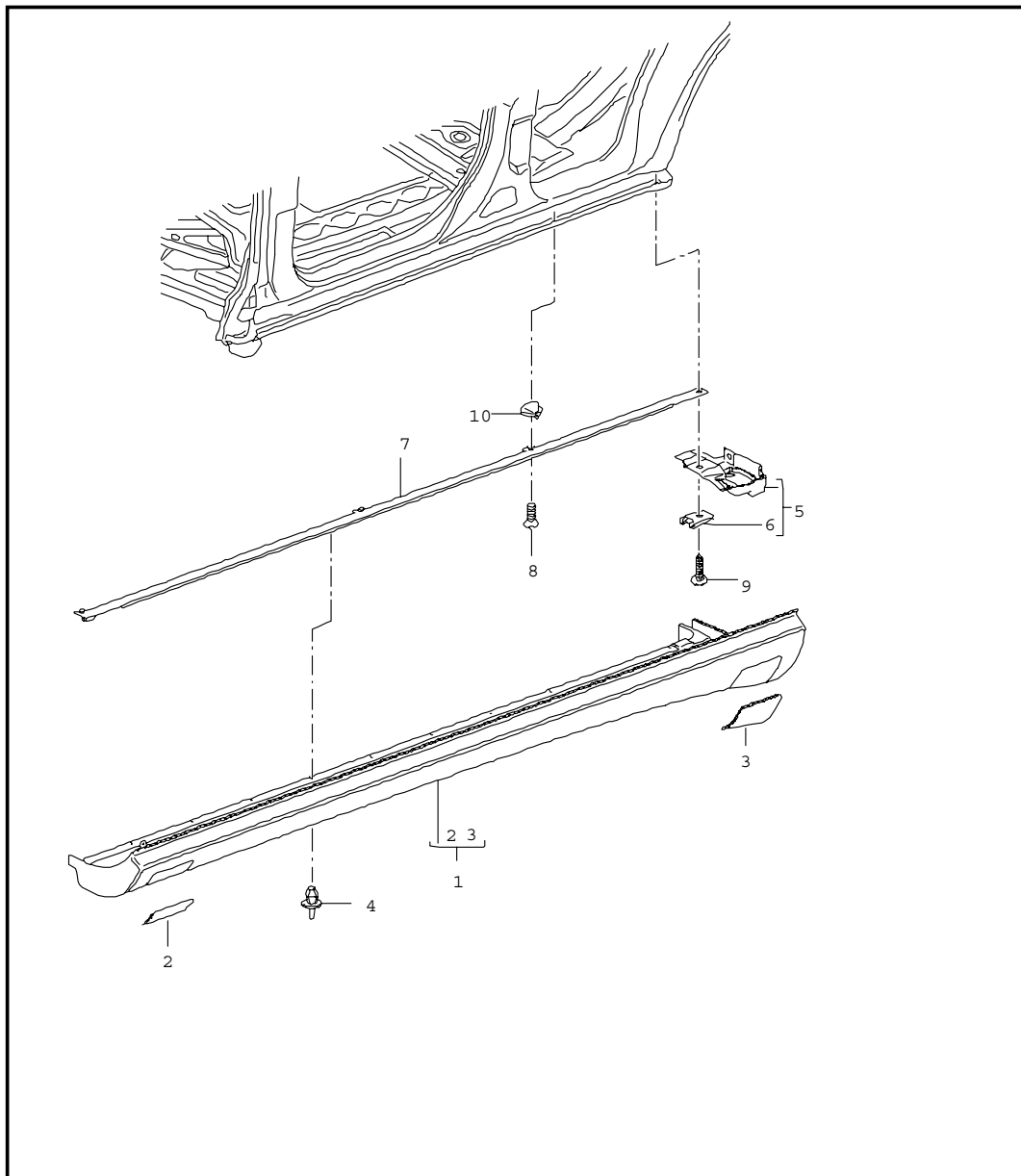


Pos	Part Number	Name	Remarks	Qty	Model
		linings accessories door sill			
1	955 559 553 00	door sill rail complete 4W9 satin aluminium	/L -04	1	I2D0/2D2/ I6EP/6ES
1	955 559 553 01	door sill rail complete 4W9 satin aluminium	/L 05-	1	I2D0/2D2/ I6EP/6ES
(1)	955 559 554 00	door sill rail complete 4W9 satin aluminium	/R -04	1	I2D0/2D2/ I6EP/6ES
(1)	955 559 554 01	door sill rail complete 4W9 satin aluminium	/R 05-	1	I2D0/2D2/ I6EP/6ES
2	955 559 691 00	cover door sill front 01C satin black	/L	1	I2D0/2D2/ I6EP/6ES
(2)	955 559 692 00	cover door sill front 01C satin black	/R	1	I2D0/2D2/ I6EP/6ES
3	955 559 697 00	cover rear 01C satin black	/L	1	I2D0/2D2/ I6EP/6ES
(3)	955 559 698 00	cover door sill rear 01C satin black	/R	1	I2D0/2D2/ I6EP/6ES
4	955 559 711 00	end piece front	/L	1	

Model	Year	MG	SG	Illustration	Restrictions	Update	18:58	16.08.2006	PORSCHE	PET	PORSCHE
9pa	06	8	10	810-10		203					

Pos	Part Number	Name	Remarks	Qty	Model	Pos	Part Number	Name	Remarks	Qty	Model
	01C	satin black				13	955 559 619 01	running board	/L	1	IVR1/VR3
(4)	955 559 712 00	end piece front	/R	1			4W9	satin aluminium			
	01C	satin black				(13)	955 559 620 01	running board	/R	1	IVR1/VR3
5	955 559 860 00	gasket door sill		1	I2D0/2D2/ I6EP/6ES		4W9	satin aluminium			
	01C	satin black				14	955 559 693 00	cover protection front	/L	1	IVR1/VR3
6	955 559 817 00	spacer		11			01C	satin black			
7	955 559 487 00	support front	/L	1		(14)	955 559 694 00	cover protection front	/R	1	IVR1/VR3
7	955 559 488 00	support front	/R	1			01C	satin black			
8	955 559 467 00	support centre		2		15	955 559 703 00	cover door sill rear	/L	1	IVR1/VR3
9	955 559 489 00	support rear	/L	1			01C	satin black			
(9)	955 559 490 00	support rear	/R	1		(15)	955 559 704 00	cover door sill rear	/R	1	IVR1/VR3
10	N 909 210 01	hexagon-head bolt M 8 X 22	-05	9			01C	satin black			
10	N 909 210 02	hexagon-head bolt M 8 X 22	06-	X		16	955 559 589 00	protective strip protection black		1	IVR1/VR3
11	N 904 085 02	blind rivet nut M 8	-05	X		17	955 559 859 00	profile strip protection schwarz		4	IVR1/VR3
11	N 904 085 04	blind rivet nut M 8	06-	X		18	955 559 862 00	gasket protection black		1	IVR1/VR3
12	955 559 847 00	protection	/L -04	1	IVR1/VR3						
	4W9	satin aluminium									
12	955 559 847 01	protection	/L 05-	1	IVR1/VR3						
	4W9	satin aluminium									
(12)	955 559 848 00	protection	/R -04	1	IVR1/VR3						
	4W9	satin aluminium									
(12)	955 559 848 01	protection	/R 05-	1	IVR1/VR3						
	4W9	satin aluminium									
- - - E N D - - -											

Model	Year	MG	SG	Illustration	Restrictions	Update	18:58	16.08.2006	PORSCHE	PET	PORSCHE
9pa	06	8	10	810-11		203					

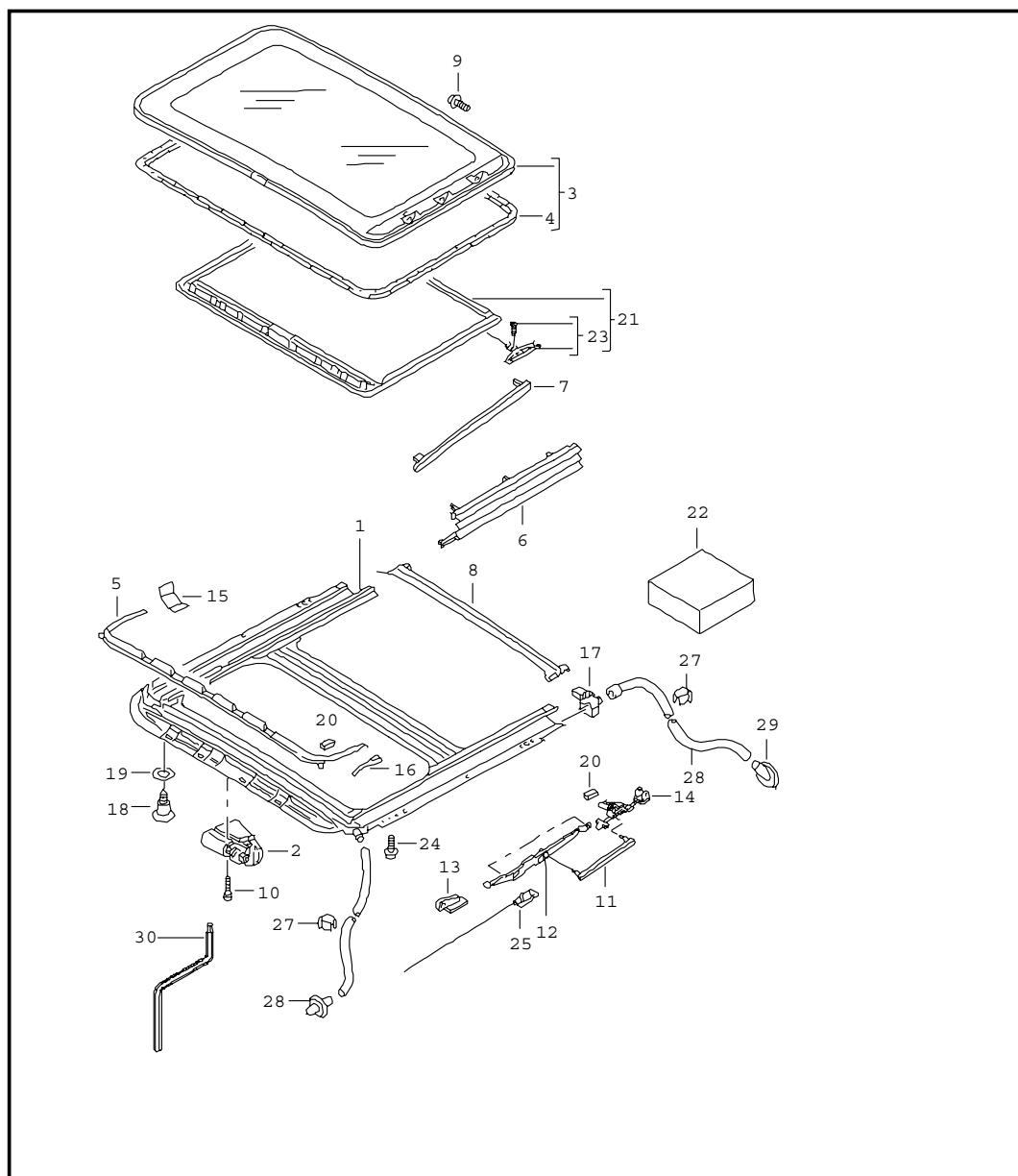


Pos	Part Number	Name	Remarks	Qty	Model
		linings accessories door sill	05-		
1	955 559 887 00	sill cover complete	/L	1	I2D1/2D3
		G2X prime coated			
(1)	955 559 888 00	sill cover complete	/R	1	I2D1/2D3
		G2X prime coated			
2	955 559 827 00	flap jack front	/L	1	I2D1/2D3
		G2X prime coated			
(2)	955 559 828 00	flap jack front	/R	1	I2D1/2D3
		G2X prime coated			
3	955 559 837 00	flap jack rear	/L	1	I2D1/2D3
		G2X prime coated			
(3)	955 559 838 00	flap jack rear	/R	1	I2D1/2D3
		G2X prime coated			
4	N 909 275 01	expansion rivet 8,0 X 3,5		10	I2D1/2D3
5	955 559 603 00	support sill cover	/L	1	I2D1/2D3
5	955 559 604 00	support sill cover	/R	1	I2D1/2D3
6	N 908 343 01	speed nut 4,8		2	
7	955 559 883 00	retaining strip sill cover	/L	1	I2D1/2D3
(7)	955 559 884 00	retaining strip sill cover	/R	1	I2D1/2D3
8	N 104 485 01	countersunk-head screw M 6 X 16	05	3	I2D1/2D3

Model	Year	MG	SG	Illustration	Restrictions	Update					
9pa	06	8	10	810-11		203	18:58	16.08.2006	PORSCHE	PET	PORSCHE

Pos	Part Number	Name	Remarks	Qty	Model	Pos	Part Number	Name	Remarks	Qty	Model
8	N 104 485 04	countersunk-head screw M 6 X 16	06-	3	I2D1/2D3						
9	N 910 447 01	tapping screw 4,8 X 13		2	I2D1/2D3						
10	955 559 821 00	fixing clip sill cover		3	I2D1/2D3						
		- - - E N D - - -									

Model	Year	MG	SG	Illustration	Restrictions	Update	18:58	16.08.2006	PORSCHE	PET	PORSCHE
9pa	06	8	11	811-00		203					

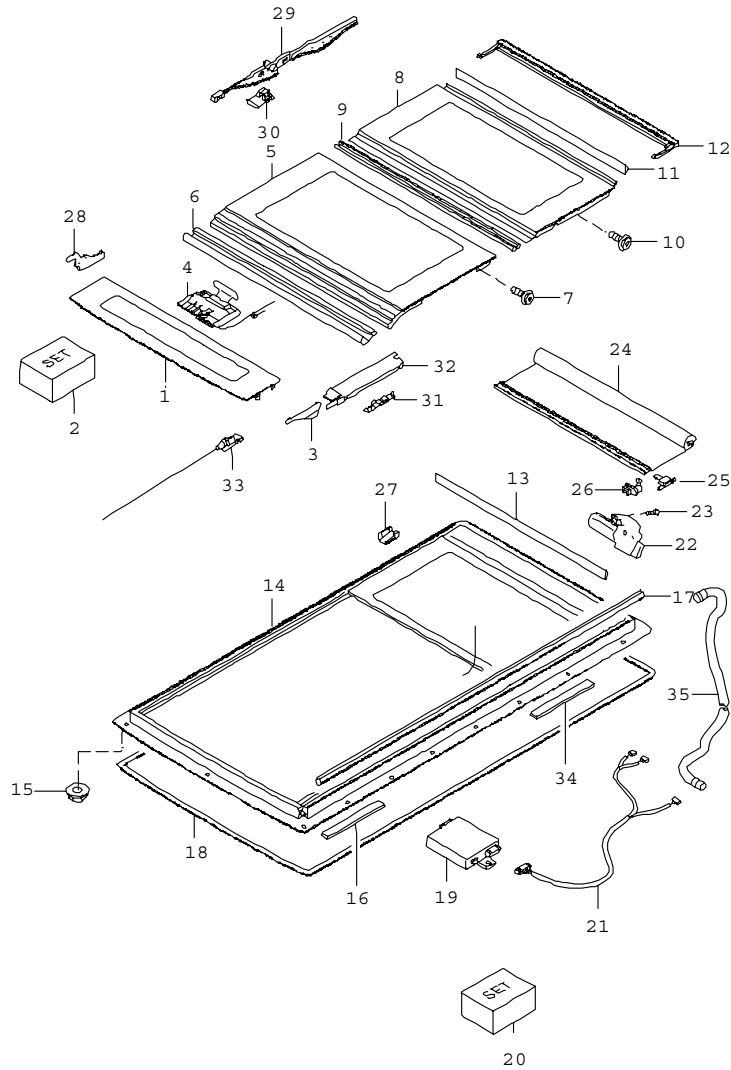


Pos	Part Number	Name	Remarks	Qty	Model
		sunroof			
1	955 564 025 00	frame		1	
2	955 564 001 00	driving mechanism complete		1	
3	955 564 002 00	glass roof		1	
4	955 564 003 00	gasket		1	
5	955 564 004 00	air deflector		1	
6	955 564 005 00	bellows	/L	1	
(6)	955 564 006 00	bellows	/R	1	
7	955 564 007 00	filler piece		2	
8	955 564 008 00	water drain strip		1	
9	955 564 009 00	pan-head screw glass roof		1	
10	955 564 010 00	fastening screw driving mechanism		1	
11	955 564 011 00	connection piece		1	
12	955 564 012 00	guide	/R	1	
(12)	955 564 013 00	guide	/L	1	
13	955 564 014 00	guide	/R	1	
(13)	955 564 015 00	guide	/L	1	
14	955 564 016 00	locking segment	/R	1	
(14)	955 564 017 00	locking segment	/L	1	
15	955 564 018 00	parts kit air deflector		1	
16	955 564 019 00	leaf spring		1	
17	955 564 020 00	parts kit end piece		1	
18	955 564 009 00	pan-head screw		1	
19	955 564 022 00	washer		1	
20	955 564 023 01	damper		1	
21	955 564 024 00	roof frame		1	
	6L2	steel grey			

Model	Year	MG	SG	Illustration	Restrictions	Update	18:58	16.08.2006	PORSCHE	PET	PORSCHE
9pa	06	8	11	811-00		203					

Pos	Part Number	Name	Remarks	Qty	Model	Pos	Part Number	Name	Remarks	Qty	Model
	6K1	sand beige									
	6M3	palmgreen									
21	955 564 024 00	roof frame alcantara		1							
	5E6	black									
	5E5	steel grey									
	5G6	sand beige									
	5L6	palmgreen									
22	955 564 026 00	sealing cord front		1							
23	955 564 027 00	slide front		1							
24	955 564 009 00	pan-head screw front		6							
25	955 564 029 00	guide with cable front		2							
(26)	955 564 031 00	water drain hose front	/L	1							
26	955 562 201 02	water drain hose front	/L	1							
(26)	955 564 030 00	water drain hose front	/R	1							
(26)	955 562 202 02	water drain hose front		1							
27	955 628 260 00	hose holder rear		X							
28	955 564 032 00	water drain hose rear	/L	1							
(28)	955 564 038 00	water drain hose rear	/R	1							
29	955 564 035 00	drain tube		2							
30	955 564 036 00	tool emergency operation		1							
		- - - E N D - - -									

Model	Year	MG	SG	Illustration	Restrictions	Update	18:59	16.08.2006	PORSCHE	PET	PORSCHE
9pa	06	8	11	811-01		203					

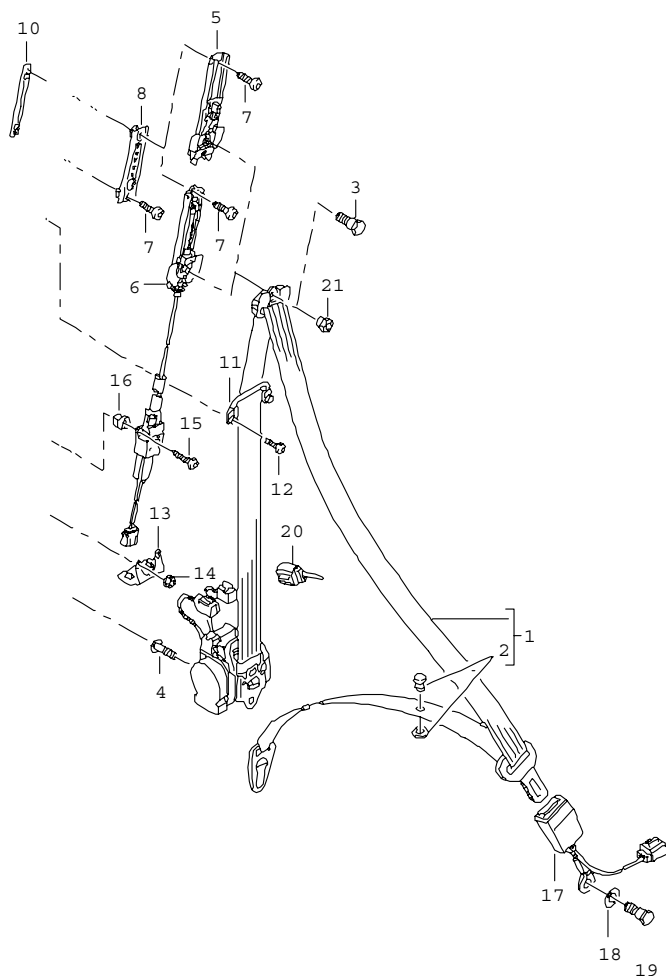


Pos	Part Number	Name	Remarks	Qty	Model
		glass roof			
1	955 562 004 00	air deflector		1	
2	955 562 916 00	set of fastening parts air deflector		1	
3	955 562 906 00	cover air deflector	/L/R	1	
4	955 562 907 00	cassette	/L/R	1	
5	955 562 055 00	cover front		1	
6	955 562 913 00	gasket		1	
7	955 562 721 00	screw M5 X 12,5		6	
8	955 562 056 00	cover centre		1	
9	955 562 914 00	gasket		1	
10	955 562 722 00	screw		6	
11	955 562 915 00	gasket		1	
12	955 562 519 00	water drain tube		1	
13	955 562 439 00	gasket		1	
14	955 562 450 00	frame with cover fixed		1	
16	955 562 423 00	gasket outer		1	
17	955 562 440 00	gasket inner		1	
18	955 562 459 00	gasket UMLAUFEND		1	
19	955 618 485 00	control unit		1	
20	955 562 912 00	set of fastening parts control unit		1	
21	955 612 025 00	wiring harness		1	
22	955 624 713 00	engine		3	
23	955 562 912 00	pan-head screw M5 X 30		6	

Model	Year	MG	SG	Illustration	Restrictions	Update	18:59	16.08.2006	PORSCHE	PET	PORSCHE
9pa	06	8	11	811-01		203					

Pos	Part Number	Name	Remarks	Qty	Model	Pos	Part Number	Name	Remarks	Qty	Model
24	955 562 716 00	shade		1							
	3X6	sand beige									
	3V5	steel grey									
	3Y7	palmgreen									
	3W4	black									
25	955 562 908 00	sliding piece shade	/L/R	1							
26	955 562 909 00	end piece	/L/R	1							
27	955 562 413 00	locking segment		4							
28	955 562 900 00	guide	/L/R	1							
30	955 562 903 00	driving mechanism guide	/L/R	1							
31	955 562 904 00	hinge air deflector	/L/R	1							
32	955 562 910 00	cover hinge	/L/R	1							
33	955 562 905 00	drive shaft	/L/R	1							
34	955 562 917 00	set sealing strip		1							
--	000 043 300 49	activator 113 ML		1							
35	955 562 029 00	water drain hose rear	/L	1							
(35)	955 562 030 00	water drain hose rear	/R	1							
36	955 562 919 00	pressure piece	/L	1							
(36)	955 562 918 00	pressure piece	/R	1							
		- - - E N D - - -									

Model	Year	MG	SG	Illustration	Restrictions	Update	18:59	16.08.2006	PORSCHE	PET	PORSCHE
9pa	06	8	12	812-00		203					

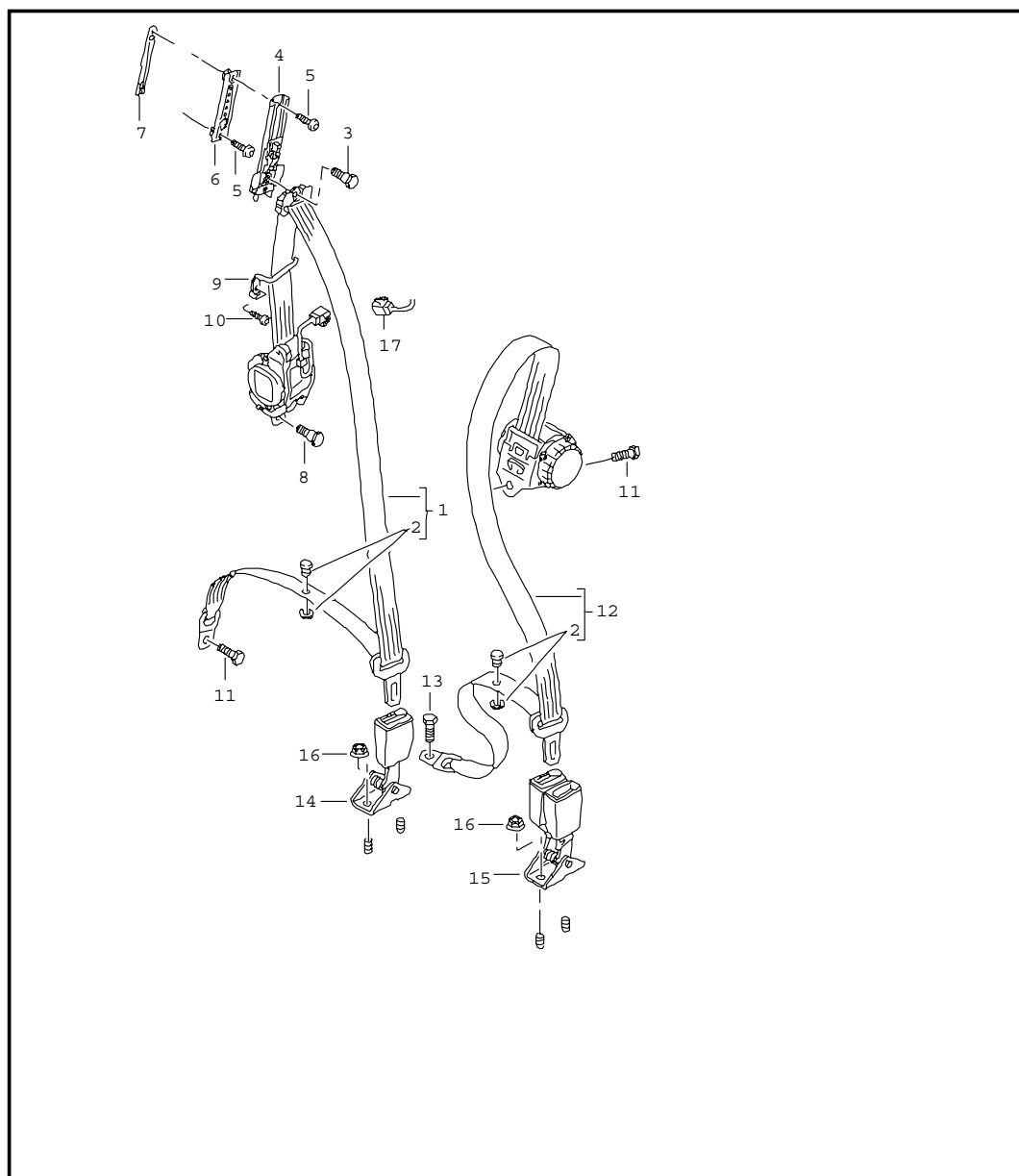


Pos	Part Number	Name	Remarks	Qty	Model
1	955 803 001 01	seat belt front		1	
	HCP	black	/LL/L-05		
1	955 803 001 02	seat belt		1	
	HCP	black	/LL/L06-		
(1)	955 803 002 01	seat belt		1	
	HCP		/LL/R-05		
(1)	955 803 002 02	seat belt		1	
	HCP	black	/LL/R06-		
(1)	955 803 001 11	seat belt		1	
	HCP	black	/RL/L-05		
(1)	955 803 001 12	seat belt		1	
	HCP	black	/RL/L06-		
(1)	955 803 002 11	seat belt		1	
	HCP	black	/RL/R-05		
(1)	955 803 002 12	seat belt		1	
	HCP	black	/RL/R06-		
2	955 803 056 01	knob		1	
	HCP	black			
3	N 989 242 01	hexagon-head bolt		2	
4	3B0 857 799	hexagon-head bolt		2	
5	955 803 003 00	height adjustment		2	
6	A 955 803 008 01	elect. vertical adjustment		2	I4QF
6	955 803 008 02	elect. vertical adjustment		2	I4QF
7	N 014 717 6	pan-head screw		2	
8	955 803 058 02	bracket		2	
9	955 803 009 02	bracket		2	I4QF
10	955 803 059 01	angle		2	
11	955 803 012 00	guide		2	

Model	Year	MG	SG	Illustration	Restrictions	Update	18:59	16.08.2006	PORSCHE	PET	PORSCHE
9pa	06	8	12	812-00		203					

Pos	Part Number	Name	Remarks	Qty	Model	Pos	Part Number	Name	Remarks	Qty	Model
12	N 102 913 02	pan-head screw		2							
13	955 803 013 00	retaining bracket		2							
(13)	955 803 014 00	retaining bracket		2							
14	N 015 082 5	hexagon nut		2							
15	900 143 047 07	oval-head sheetmetal screw		2							
16	955 803 115 00	special nut		2							
17	955 803 017 00	seat-belt buckle	/L	1							
	HCP	black									
(17)	955 803 016 00	seat-belt buckle	/R	1							
	HCP	black									
18	N 905 013 01	spring washer		2							
19	N 989 235 01	hexagon-head bolt		2							
21	N 910 106 01	nut		2	I4QF						
		- - - E N D - - -									

Model	Year	MG	SG	Illustration	Restrictions	Update	18:59	16.08.2006	PORSCHE	PET	PORSCHE
9pa	06	8	12	812-05		203					

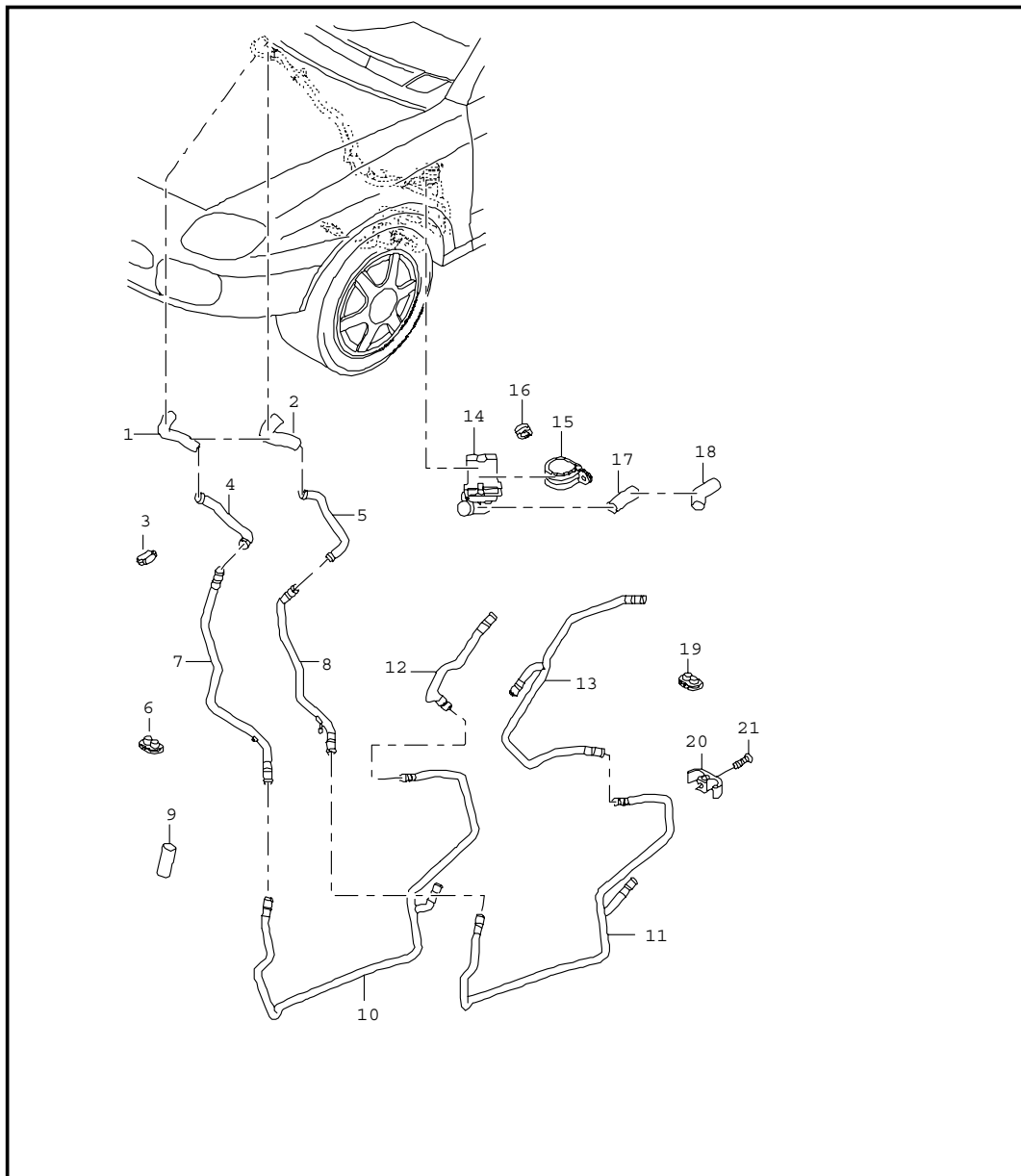


Pos	Part Number	Name	Remarks	Qty	Model
		seat belt rear			
1	955 803 050 00	seat belt	/R -05	1	
	HCP	black			
1	955 803 050 01	seat belt	/R 06-	1	
	HCP	black			
(1)	955 803 051 00	seat belt	/L -05	1	
	HCP	black			
(1)	955 803 051 01	seat belt	/L -05	1	
	HCP	black			
(1)	955 803 051 01	seat belt	/L 06-	1	
	HCP	black			
2	955 803 056 01	knob		X	
	HCP	black			
3	N 989 242 01	hexagon-head bolt		2	
4	955 803 003 00	height adjustment		2	
5	N 014 717 6	pan-head screw		4	
6	955 803 058 00	bracket		2	
7	955 803 059 01	angle		2	
8	3B0 857 799	hexagon-head bolt		2	
9	955 803 061 00	reverse lever	/L	1	
9	955 803 060 00	reverse lever	/R	1	
10	N 102 913 02	pan-head screw		2	
11	N 989 077 01	hexagon-head bolt		3	
12	A 955 803 053 01	seat belt	-05	1	
	HCP	black			
12	955 803 053 01	seat belt	-05	1	
	HCP	black			
12	955 803 053 02	seat belt	06-	1	
	HCP	black			

Model	Year	MG	SG	Illustration	Restrictions	Update	18:59	16.08.2006	PORSCHE	PET	PORSCHE
9pa	06	8	12	812-05		203					

Pos	Part Number	Name	Remarks	Qty	Model	Pos	Part Number	Name	Remarks	Qty	Model
13	N 904 411 02	pan-head screw		1							
14	955 803 055 00	seat-belt buckle	/R	1							
	HCP	black									
15	955 803 054 00	seat-belt buckle		1							
	HCP	black									
16	N 989 234 01	hexagon nut for seat-belt tensioner		4							
		- - - E N D - - -									

Model	Year	MG	SG	Illustration	Restrictions	Update	18:59	16.08.2006	PORSCHE	PET	PORSCHE
9pa	06	8	13	813-00		203					

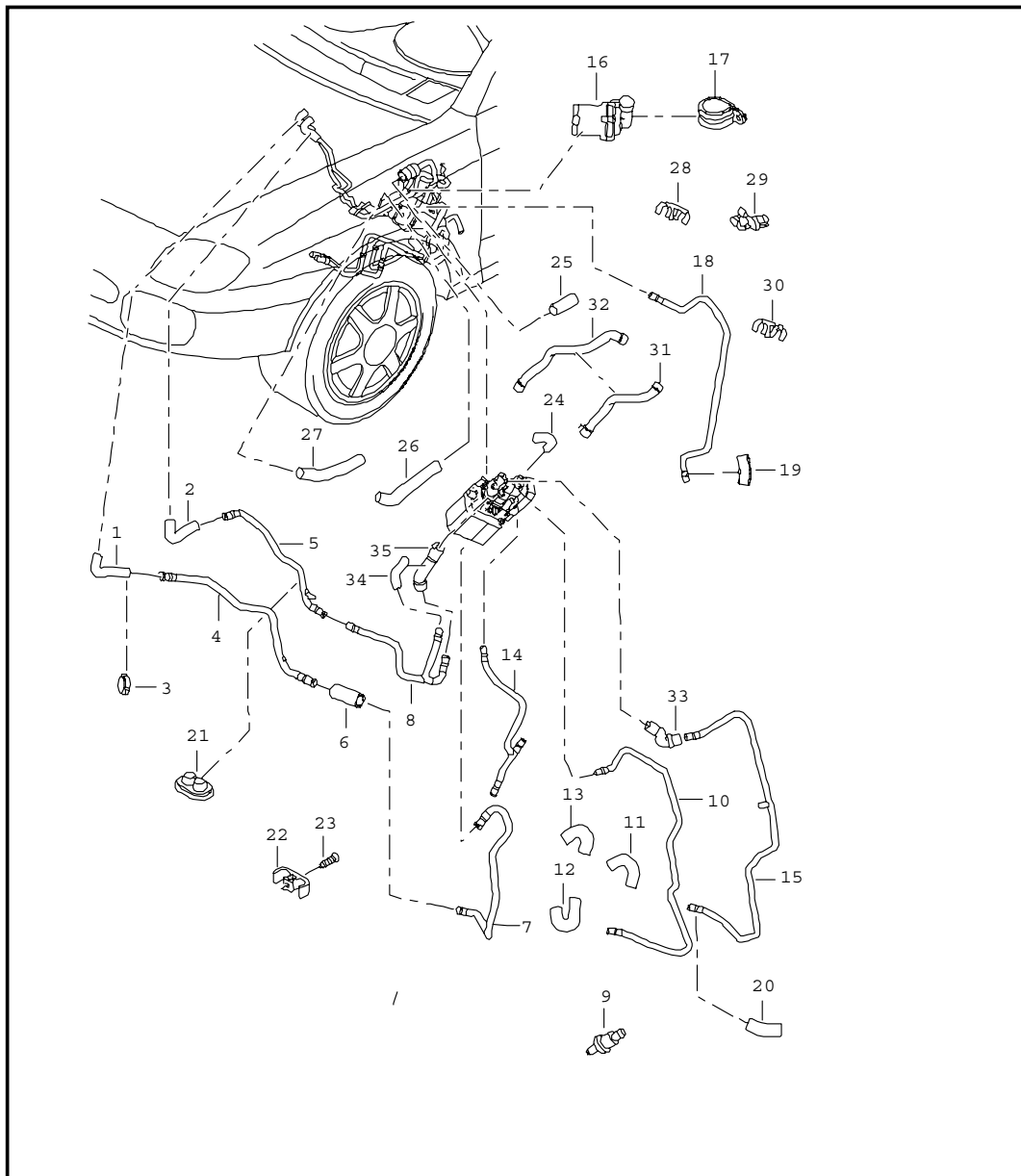


Pos	Part Number	Name	Remarks	Qty	Model
		heating feed line return line			
1	955 572 580 00	heater hose heat exchanger supply	/LL	1	
(1)	955 572 581 00	heater hose	/RL	1	
(2)	955 572 581 00	heater hose	/RL	1	
2	955 572 581 00	heater hose heat exchanger return	/LL	1	
3	N 906 870 01	hose clamp B 27 X 12		16	
4	955 572 680 00	hot air duct supply		1	ID9J
5	955 572 681 00	hot air duct return		1	ID9J
6	955 572 780 00	grommet		1	ID9J
7	955 572 682 00	hot air duct supply		1	ID9K/D9L
8	955 572 683 00	hot air duct return		1	ID9K/D9L
9	955 572 582 00	heater hose		4	ID9K/D9L
				2	ID9J/9AH
10	955 572 688 00	hot air duct return		1	I9AH
(10)	955 572 684 00	hot air duct return		1	ID9K/D9L
11	955 572 687 00	hot air duct supply		1	ID9J/9AH
12	955 572 685 00	hot air duct supply		1	ID9K/D9L
13	955 572 689 00	hot air duct supply		1	ID9K/D9L I9AH
(13)	955 572 686 00	hot air duct supply		1	ID9K/D9L
14	955 572 150 01	water pump		1	ID9K/D9L
15	N 909 423 01	clamp 48 X 15		1	ID9K/D9L

Model	Year	MG	SG	Illustration	Restrictions	Update	18:59	16.08.2006	PORSCHE	PET	PORSCHE
9pa	06	8	13	813-00		203					

Pos	Part Number	Name	Remarks	Qty	Model	Pos	Part Number	Name	Remarks	Qty	Model
16	N 015 082 5	hexagon nut M 6		1	ID9K/D9L						
17	955 572 583 00	heater hose supply		1	I9AH						
18	955 572 584 00	heater hose return		1	I9AH						
(18)	955 572 589 00	heater hose		1	I9AB/9AD						
19	955 572 781 00	grommet		1							
20	955 572 782 00	fixing clip		2							
21	N 043 939 1	oval-head sheetmetal screw 4,8 X 35		2							
22	955 572 400 00	water tube		1	I9AH/D9K/D9L						
(22)	955 572 401 00	water tube		1	ID9K/D9L						
(22)	955 572 402 00	water tube		1	ID9J						
23	955 572 405 00	water tube		1	I9AH/D9K/D9L						
(23)	955 572 403 00	water tube		1	ID9K/D9L						
(23)	955 572 404 00	water tube		1	ID9J						
24	955 572 406 00	support		1							
		- - - E N D - - -									

Model	Year	MG	SG	Illustration	Restrictions	Update	18:59	16.08.2006	PORSCHE	PET	PORSCHE
9pa	06	8	13	813-01		203					

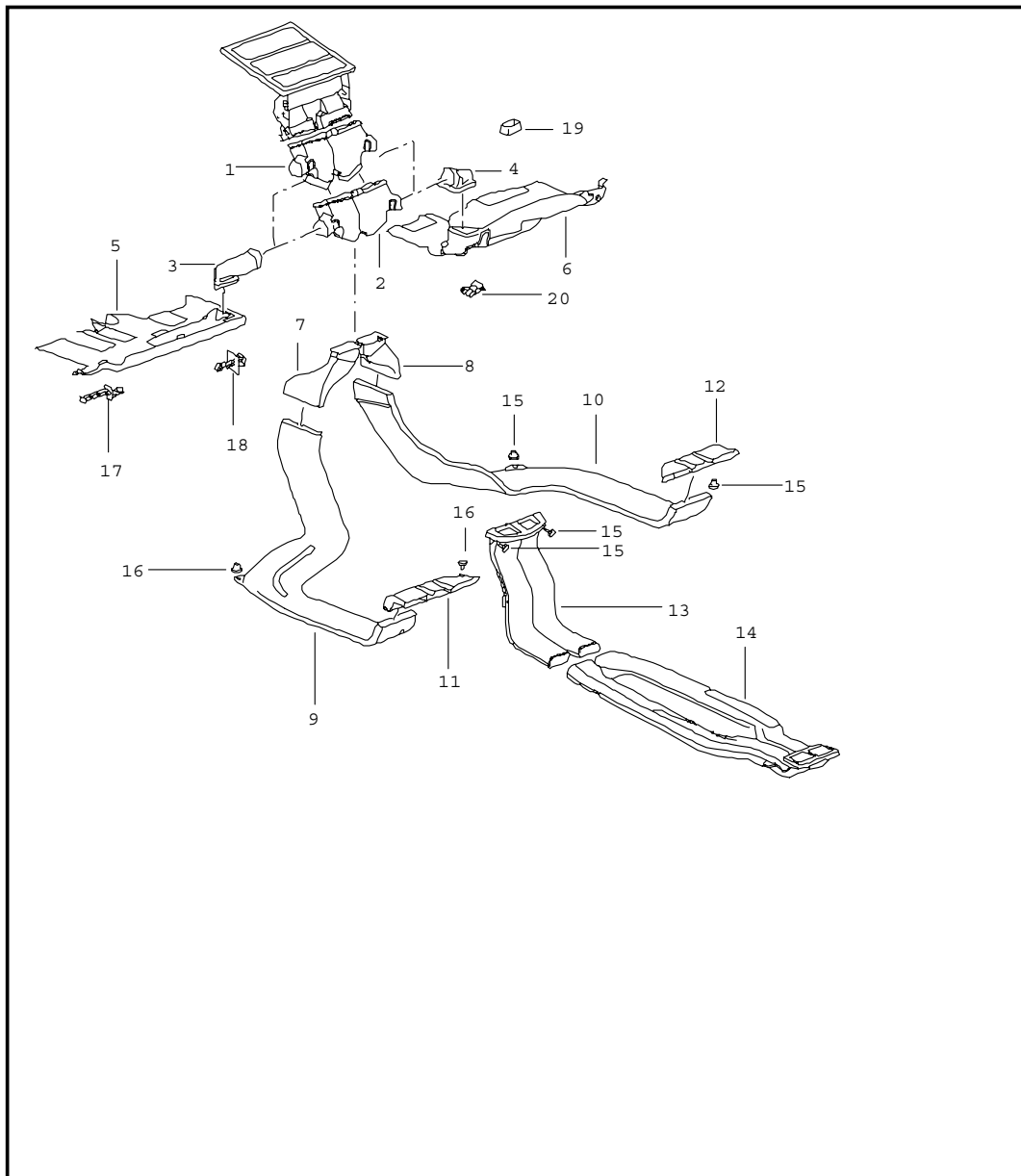


Pos	Part Number	Name	Remarks	Qty	Model
		heating feed line return line			I7VL I9AH
1	955 572 580 00	heater hose heat exchanger supply		1	
2	955 572 581 00	heater hose heat exchanger return		1	
3	N 906 870 01	hose clamp B 27 X 12		X	
4	955 572 682 00	hot air duct supply		1	
(4)	955 572 698 00	heating tube		1	
5	955 572 683 00	hot air duct return		1	
6	955 572 582 00	heater hose		6	I9AH
7	955 572 690 00	hot air duct supply		1	
8	955 572 694 00	hot air duct return		1	I9AH
(8)	955 572 691 00	hot air duct return		1	
9	955 572 151 01	valve		1	
10	955 572 692 00	hot air duct return		1	
11	955 572 585 00	heater hose supply		1	
12	955 572 587 00	heater hose supply		1	I9AH
13	955 572 588 00	heater hose supply supply		1	I9AH
14	955 572 695 00	hot air duct supply		1	I9AH
15	955 572 693 00	hot air duct supply		1	
16	955 572 150 01	water pump		1	

Model	Year	MG	SG	Illustration	Restrictions	Update	18:59	16.08.2006	PORSCHE	PET	PORSCHE
9pa	06	8	13	813-01		203					

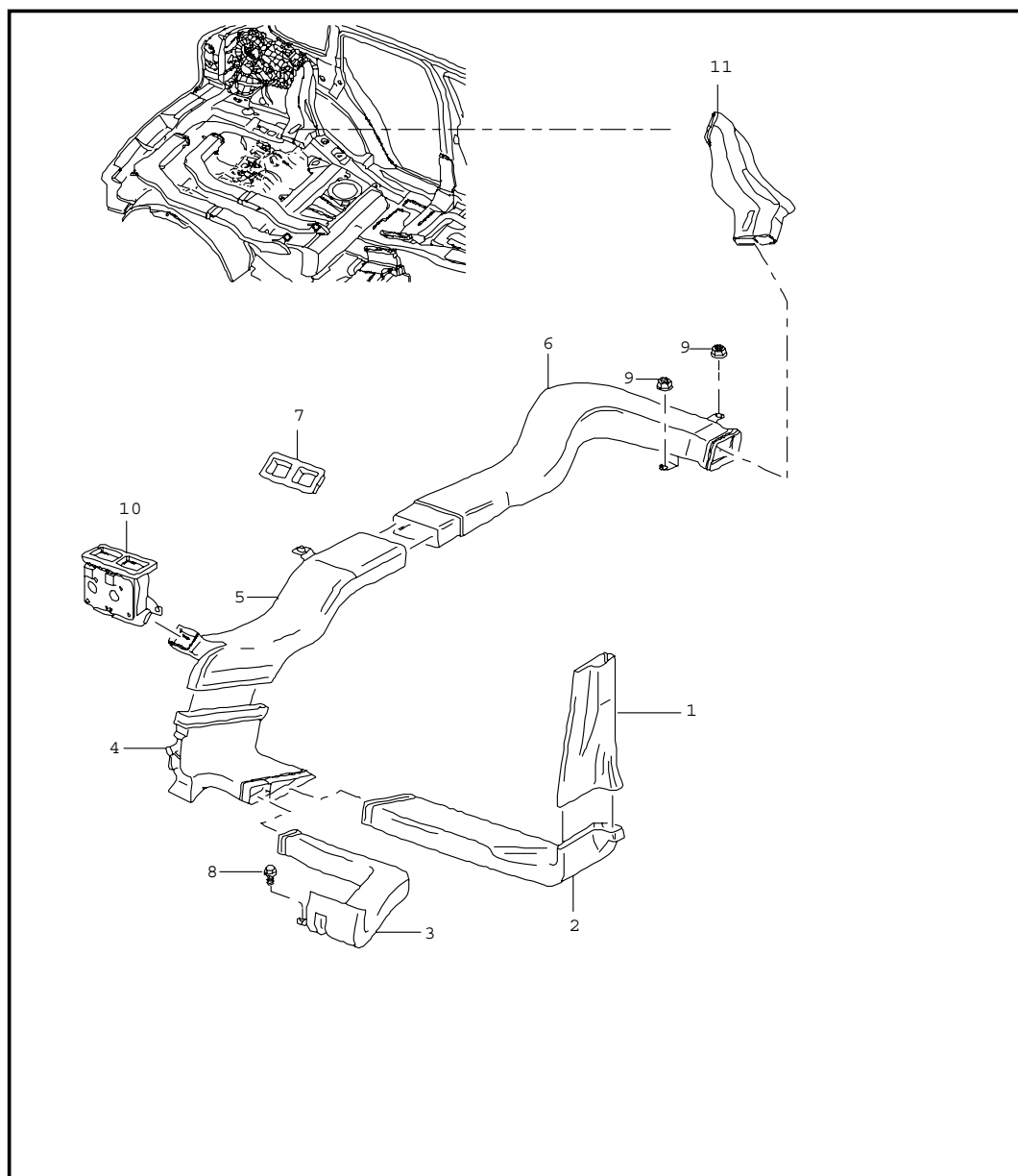
Pos	Part Number	Name	Remarks	Qty	Model	Pos	Part Number	Name	Remarks	Qty	Model
17	N 904 252 01	clamp 40 - 70		1							
18	955 572 696 00	hot air duct return		1	I9AH						
19	955 572 583 00	heater hose supply		1	I9AH						
20	955 572 584 00	heater hose return		1	I9AH						
(20)	955 572 589 00	heater hose		1	I9AH						
21	955 572 781 00	grommet		1							
22	955 572 782 00	fixing clip		2							
23	N 043 939 1	oval-head sheetmetal screw 4,8 X 35		2							
24	955 572 783 00	heater hose		1	I9AH						
25	955 572 784 00	heater hose		1	I9AH						
26	955 572 785 01	heater hose		1	I9AH						
27	955 572 786 01	heater hose		1	I9AH						
28	955 572 787 00	clip		X							
29	955 572 788 00	clip		2							
31	955 572 790 00	heater hose		1	I9AB/I9AD						
32	955 572 791 00	heater hose		1	I9AB/I9AD						
33	955 572 792 00	heater hose		1	I9AB/I9AD I9AH						
34	955 572 793 00	heater hose		1	I9AH						
35	955 572 794 00	heater hose		1	I9AH						
		- - - E N D - - -									

Model	Year	MG	SG	Illustration	Restrictions	Update	19:00	16.08.2006	PORSCHE	PET	PORSCHE
9pa	06	8	13	813-02		203					



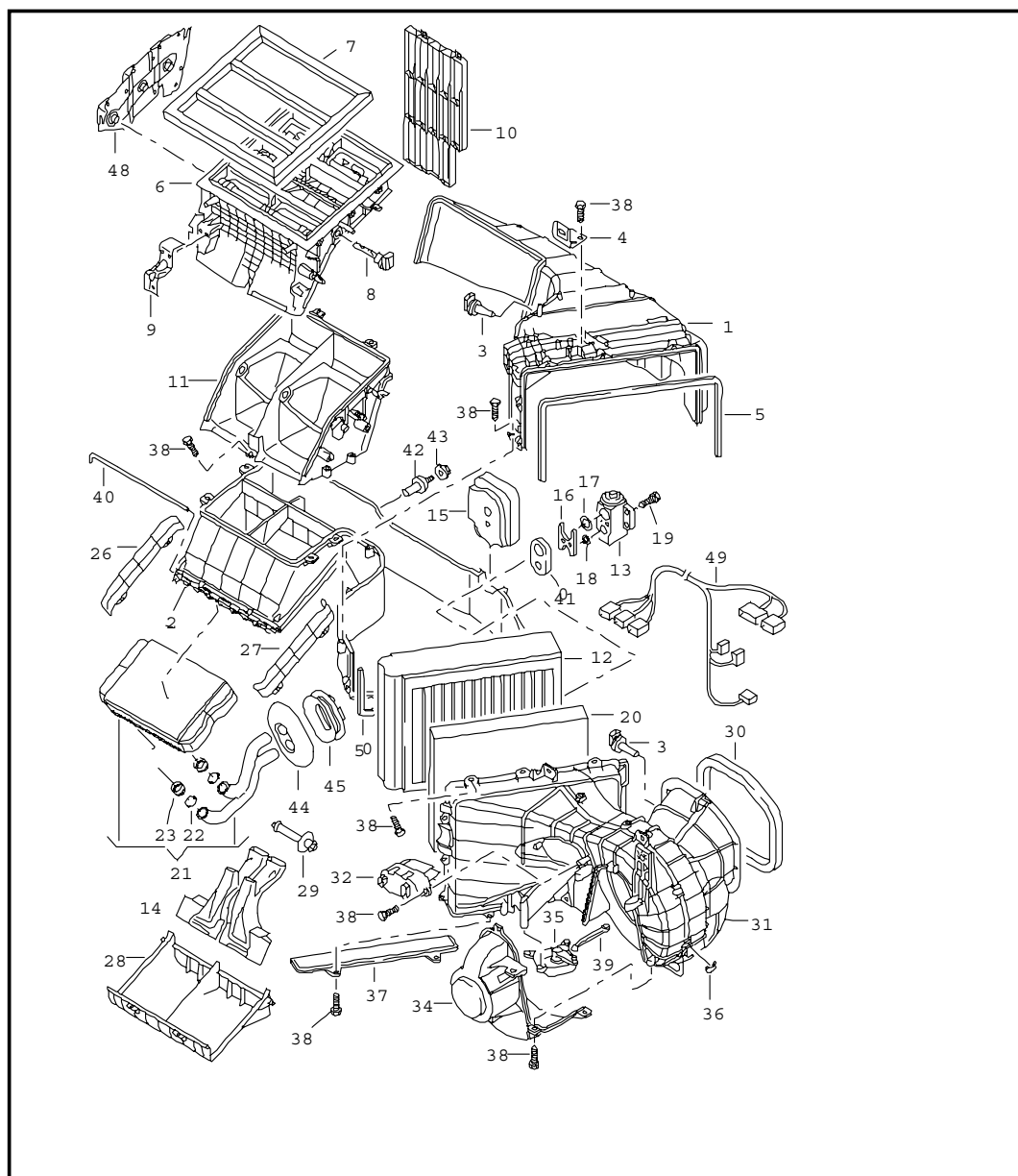
Pos	Part Number	Name	Remarks	Qty	Model
		air distributor			
1	955 573 301 00	housing		1	I9AH
(1)	955 573 303 00	housing		1	
2	955 573 302 00	housing		1	I9AH
(2)	955 573 304 00	housing		1	
3	955 573 305 00	intermediate piece		1	
(3)	955 573 305 01	intermediate piece	/RL	1	
4	955 573 306 00	intermediate piece		1	
(4)	955 573 306 01	intermediate piece	/RL	1	
5	955 573 308 12	footwell outlet vent	/LL/L	1	
6	955 573 308 01	footwell outlet vent	/RL/R	1	
6	955 573 308 02	footwell outlet vent	/LL/R	1	
(6)	955 573 308 10	footwell outlet vent	/RL/L	1	
7	955 573 309 00	intermediate piece		1	
8	955 573 409 00	intermediate piece		1	
9	955 573 311 00	air duct		1	
10	955 573 310 00	air duct		1	
11	955 573 313 00	footwell outlet vent		1	
12	955 573 314 01	footwell outlet vent		1	
13	955 573 315 00	air duct		1	
14	955 573 316 00	air duct		1	
15	N 907 579 01	hexagon nut		3	
16	N 104 648 02	screw		2	
17	955 573 317 00	angle		2	
18	955 573 318 00	angle		2	
19	955 612 161 00	mounting		1	
	01C	black			
20	955 552 137 00	retaining clip		2	
		- - - E N D - - -			

Model	Year	MG	SG	Illustration	Restrictions	Update	19:00	16.08.2006	PORSCHE	PET	PORSCHE
9pa	06	8	13	813-03		203					



Pos	Part Number	Name	Remarks	Qty	Model
		air distributor			I9AH
1	955 573 319 00	air duct	/L	1	
(1)	955 573 320 00	air duct	/R	1	
2	955 573 321 00	air duct	/L	1	
(2)	955 573 322 00	air duct	/R	1	
3	955 573 323 00	air duct	/L	1	
(3)	955 573 324 00	air duct	/R	1	
4	955 573 325 00	distributor housing with electric motor	/L	1	
(4)	955 573 326 00	distributor housing with electric motor	/R	1	
5	955 573 327 00	air duct	/L	1	
(5)	955 573 328 00	air duct	/R	1	
6	955 573 329 00	air duct	/L	1	
(6)	955 573 330 00	air duct	/R	1	
7	955 573 331 00	adapter		1	
8	N 908 494 01	tapping screw		X	
9	N 907 579 01	hexagon nut		X	
10	955 573 332 01	distributor housing		1	
11	955 573 333 00	air duct		1	
- - - E N D - - -					

Model	Year	MG	SG	Illustration	Restrictions	Update	19:00	16.08.2006	PORSCHE	PET	PORSCHE
9pa	06	8	13	813-05		203					



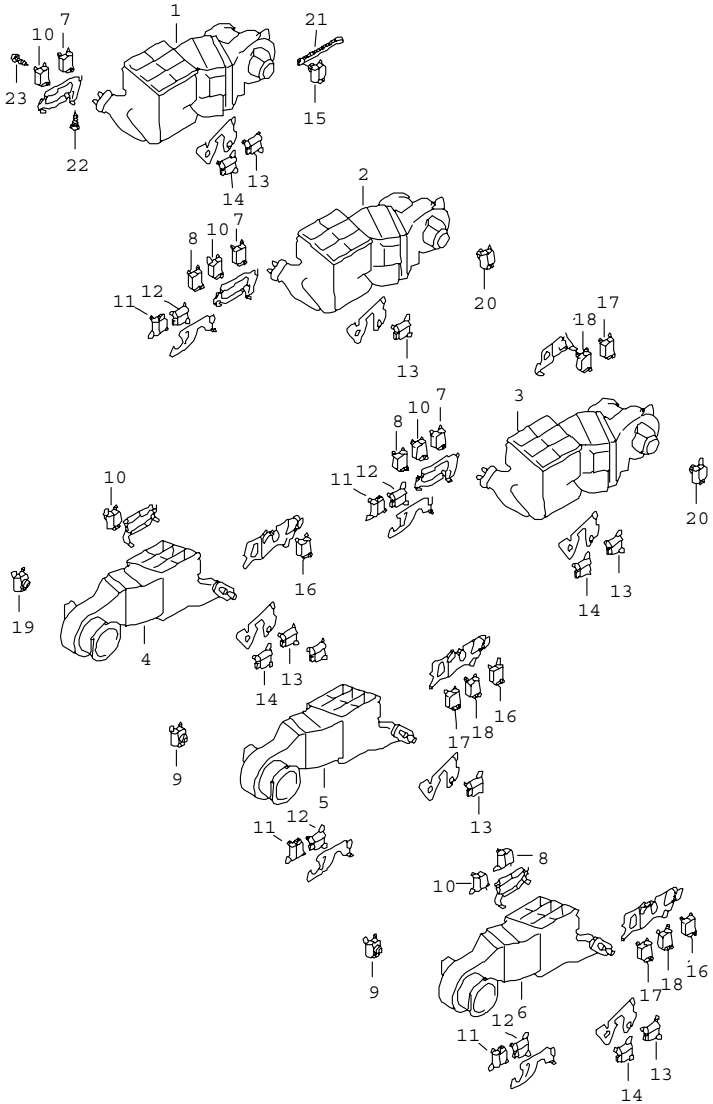
Pos	Part Number	Name	Remarks	Qty	Model
		air conditioner front single parts			
1	955 572 300 00	housing	/LL	1	
(1)	955 572 301 00	housing	/RL	1	
2	955 572 302 00	housing	/LL	1	
(2)	955 572 303 00	housing	/RL	1	
3	955 572 304 00	temperature sensor		1	
(3)	955 572 304 10	temperature sensor after evaporator		1	
4	955 572 305 00	support		1	
5	955 572 306 00	sealing cord		1	
6	955 572 307 00	air distributor	/LL -05	1	I9AB
6	955 572 307 01	air distributor	/LL 06	1	I9AB
(6)	955 572 307 02	air distributor	/RL	1	I9AB
(6)	955 572 308 00	air distributor	/LL -05	1	I9AD
(6)	955 572 308 01	air distributor	/LL 06	1	I9AD
(6)	955 572 308 02	air distributor	/RL	1	I9AD
(6)	955 572 309 00	air distributor	/LL -05	1	I9AH
(6)	955 572 309 01	air distributor	/LL 06	1	I9AH
(6)	955 572 309 02	air distributor	/RL	1	I9AH
7	955 572 310 00	gasket		1	
7	955 572 310 01	gasket oversize		1	
8	955 572 311 00	temperature sensor		2	
9	955 572 312 00	support		1	
10	955 572 313 00	air duct	/LL	1	
(10)	955 572 314 00	air duct	/RL	1	
11	955 572 315 00	distributor housing		1	I9AB
(11)	955 572 316 00	distributor housing		1	I9AD/9AH
12	955 572 317 00	evaporator	/LL	1	

Model	Year	MG	SG	Illustration	Restrictions	Update	19:00	16.08.2006	PORSCHE	PET	PORSCHE
9pa	06	8	13	813-05		203					

Pos	Part Number	Name	Remarks	Qty	Model	Pos	Part Number	Name	Remarks	Qty	Model
(12)	955 572 318 00	evaporator	/RL	1		34	955 572 343 00	blower	/RL	1	
13	955 572 319 00	expansion valve		1		35	--- --- --- --	see illustrations 8/13/06		X	
14	955 572 320 00	air duct		1		36	955 572 344 00	clamp		12	
15	955 572 321 00	gasket	/LL	1		37	955 572 345 00	cover		1	
(15)	955 572 322 00	gasket	/RL	1		38	N 104 241 01	hexagon-head bolt		X	
16	955 572 064 00	support		1		40	955 572 346 00	guiding rod		1	
17	955 572 324 00	round seal		1		41	955 572 347 00	gasket		1	
18	955 572 325 00	round seal		1		42	955 572 348 00	rubber mounting		1	
19	N 019 909 1	pan-head screw		2		43	N 902 173 03	hexagon nut		2	
20	955 572 219 10	particle filter		1		44	955 572 349 00	gasket		1	
21	955 572 326 00	heat exchanger	/LL	1		45	955 572 350 00	grommet		1	
(21)	955 572 327 00	heat exchanger	/RL	1		49	955 612 350 00	wiring harness	/LL	1	I9AD
22	N 909 732 01	round seal		2		49	955 612 351 00	wiring harness	/RL	1	I9AD
23	955 572 328 00	clamping spring		2		49	955 612 352 00	wiring harness	/LL	1	I9AH
26	955 572 329 00	cover	/LL	1		49	955 612 353 00	wiring harness	/RL	1	I9AH
(26)	955 572 330 00	cover	/RL	1				- - - E N D - - -			
27	955 572 331 00	cover		1							
28	955 572 332 00	cover		1							
29	955 572 333 01	drain tube		1							
30	955 572 334 00	gasket	/LL	1							
(30)	955 572 335 00	gasket	/RL	1							
31	955 572 336 00	housing	/LL	1	I9AB						
(31)	955 572 337 00	housing	/RL	1	I9AB						
(31)	955 572 338 00	housing	/LL	1	I9AD/9AH						
(31)	955 572 339 00	housing	/RL	1	I9AD/9AH						
32	955 572 340 00	series resistor		1	I9AB						
(32)	955 572 341 00	regulator		1	I9AD/9AH						
34 A	955 572 342 00	blower	/LL	1							
34	955 572 342 01	blower	/LL	1							

Model	Year	MG	SG	Illustration	Restrictions	Update	19:00	16.08.2006	PORSCHE	PET	PORSCHE
9pa	06	8	13	813-06		203					

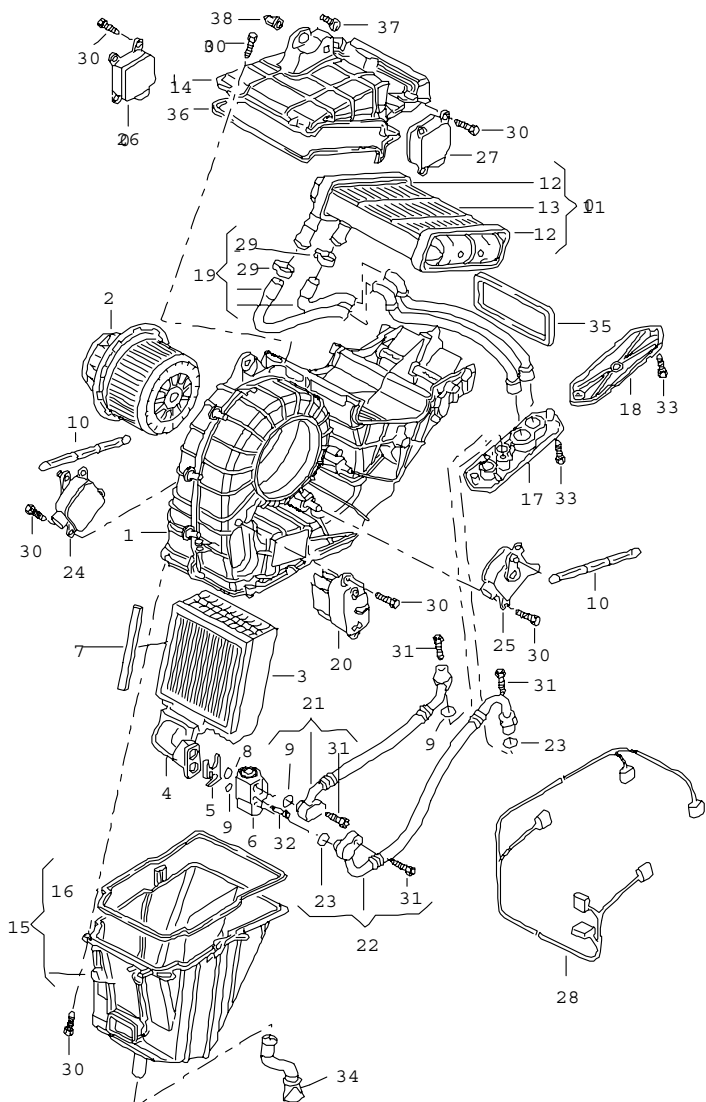
Pos	Part Number	Name	Remarks	Qty	Model
1	...	electric motor for air conditioner	/LL	.	I9AB
2	...	for air conditioner	/LL	.	I9AD
3	...	for air conditioner	/LL	.	I9AH
4	...	for air conditioner	/RL	.	I9AB
5	...	for air conditioner	/RL	.	I9AD
6	...	for air conditioner	/RL	.	I9AH
7	955 624 901 00	electric motor for defroster flap		1	I9AB/9AD
8	955 624 902 00	electric motor for air correction jet		1	I9AH
(8)	955 624 903 00	electric motor for air correction jet	/RL	1	I9AH
9	955 624 903 00	electric motor		1	I9AD/9AH
10	955 624 905 00	electric motor air exhaust centre right left	/LL	1	I9AB
(10)	955 624 905 00	electric motor centre right left	/LL	1	I9AD/9AH
(10)	955 624 905 00	electric motor centre right left	/RL	1	I9AH
11	955 624 906 00	electric motor footwell outlet vent		1	I9AD/9AH
12	955 624 907 00	electric motor temperature valve		1	9AD/9AH



Model	Year	MG	SG	Illustration	Restrictions	Update	19:00	16.08.2006	PORSCHE	PET	PORSCHE
9pa	06	8	13	813-06		203					

Pos	Part Number	Name	Remarks	Qty	Model	Pos	Part Number	Name	Remarks	Qty	Model
13	955 624 908 00	electric motor temperature valve		1	I9AD/9AH						
(13)	955 624 908 00	electric motor temperature valve		1	I9AD/9AH						
14	955 624 909 00	electric motor footwell flap		1	I9AB/9AH						
15	955 624 910 00	electric motor	/LL	1	I9AB						
16	955 624 911 00	electric motor defroster vent	/RL	1	I9AB/9AD						
17	955 624 912 00	electric motor air exhaust centre right left	/RL	1	I9AD						
17	955 624 912 00	electric motor air exhaust centre right left		1	I9AH						
18	955 624 913 00	electric motor air exhaust centre right left	/LL	1	I9AD						
18	955 624 913 00	electric motor air exhaust centre right left		1	I9AH						
19	955 624 914 00	electric motor	/RL	1	I9AB						
20	955 624 915 00	electric motor	/LL	1	I9AD/9AH						
21	955 572 901 00	connecting rod		X							
22	N 104 241 01	hexagon-head tapping screw		X							
		- - - E N D - - -									

Model	Year	MG	SG	Illustration	Restrictions	Update	19:01	16.08.2006	PORSCHE	PET	PORSCHE
9pa	06	8	13	813-07		203					

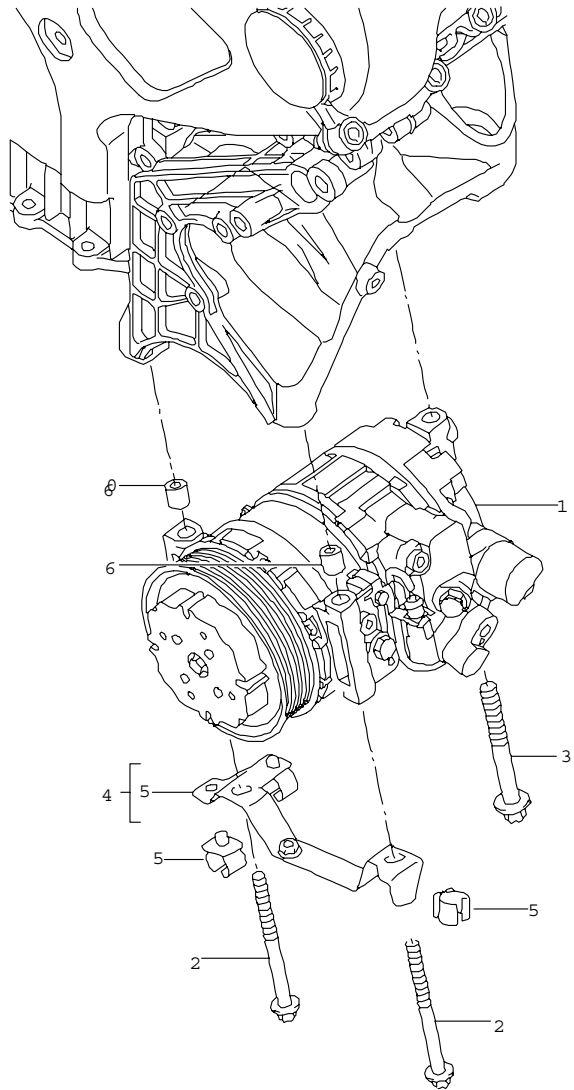


Pos	Part Number	Name	Remarks	Qty	Model
		air conditioner rear single parts			I9AH
1	955 572 060 00	housing		1	
2	955 572 061 00	blower		1	
3	955 572 062 00	evaporator		1	
4	955 572 063 00	gasket		1	
5	955 572 064 00	support		1	
6	955 572 319 00	expansion valve		1	
7	955 572 066 00	gasket		1	
8	955 572 325 00	round seal		1	
9	955 572 324 00	round seal		3	
10	955 572 069 00	guiding rod		1	
11	955 572 070 00	heat exchanger		1	
12	955 572 071 00	gasket		1	
13	955 572 072 00	gasket		1	
14	955 572 073 00	cover		1	
15	955 572 074 00	housing		1	
17	955 572 076 00	plate		1	
18	955 572 077 00	joint flange		1	I9AB/9AD
19	955 572 078 00	water hose		1	
20	955 572 341 00	regulator		1	
21	955 572 080 00	hose		1	
22	955 572 081 00	hose		1	
23	955 572 082 00	round seal		2	
24	955 572 083 00	electric motor		1	
25	955 572 084 00	electric motor		1	
26	955 572 085 00	electric motor		1	
27	955 572 085 00	electric motor		1	
28	955 612 354 00	wiring harness		1	

Model	Year	MG	SG	Illustration	Restrictions	Update	19:01	16.08.2006	PORSCHE	PET	PORSCHE
9pa	06	8	13	813-07		203					

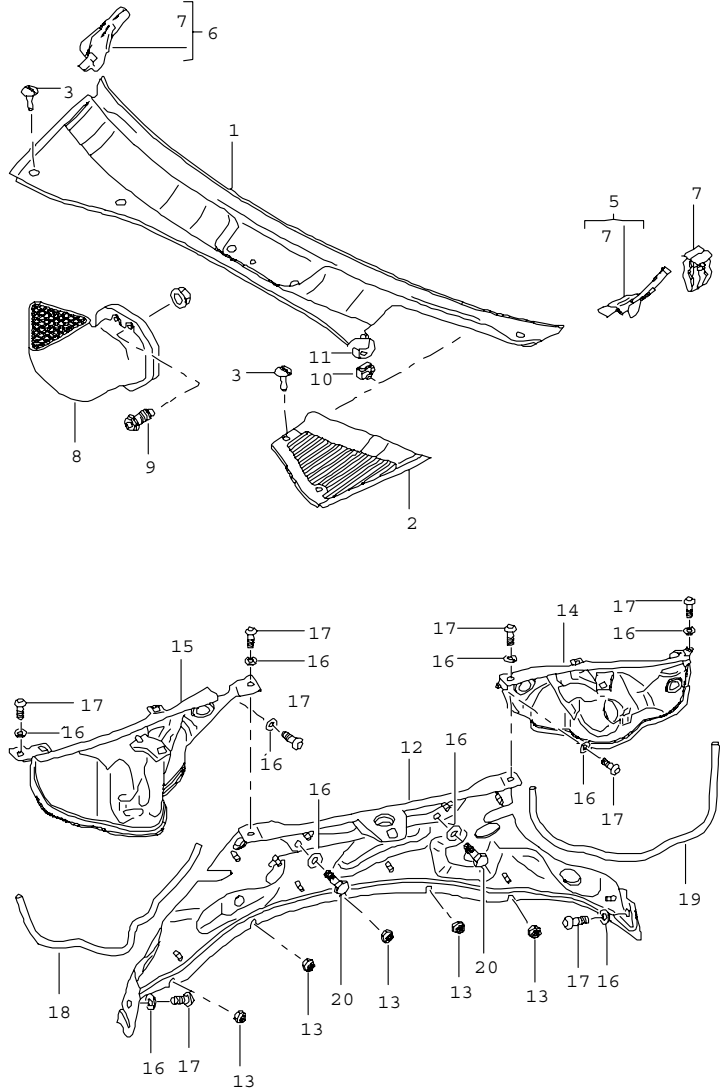
Pos	Part Number	Name	Remarks	Qty	Model	Pos	Part Number	Name	Remarks	Qty	Model
29	N 906 870 01	clip		2							
30	N 104 241 01	hexagon-head tapping screw		41							
31	N 905 920 02	pan-head screw		4							
32	N 019 909 1	pan-head screw		2							
33	N 907 831 02	oval-head screw		2							
34	955 572 091 00	drain tube		1							
35	955 572 092 00	gasket		1							
36	955 572 093 00	gasket		1							
37	N 906 841 01	oval-head screw		3							
38	N 902 521 01	blind rivet nut		3							
		- - - E N D - - -									

Model	Year	MG	SG	Illustration	Restrictions	Update	19:01	16.08.2006	PORSCHE	PET	PORSCHE
9pa	06	8	13	813-15		203					



Pos	Part Number	Name	Remarks	Qty	Model
		compressor			
1	948 126 011 00	compressor	-04	1	ID9K/D9L
1	948 126 011 01	compressor	05-	1	ID9K/D9L
(1)	955 126 011 00	compressor	-04	1	ID9J
(1)	955 126 011 01	compressor	05-	1	ID9J
2	900 385 014 09	torx screw M 8 X 95		2	ID9K/D9L
3	900 385 031 09	torx screw M 10 X 90		1	ID9K/D9L
4	948 347 137 02	support		1	
(4)	955 126 012 00	support	/LL	1	ID9J
(4)	955 126 012 10	support	/RL	1	ID9J
5	999 651 199 40	cable holder		3	
6	999 095 063 02	dowel sleeve		2	
- - - E N D - - -					

Model	Year	MG	SG	Illustration	Restrictions	Update	19:01	16.08.2006	PORSCHE	PET	PORSCHE
9pa	06	8	13	813-20		203					

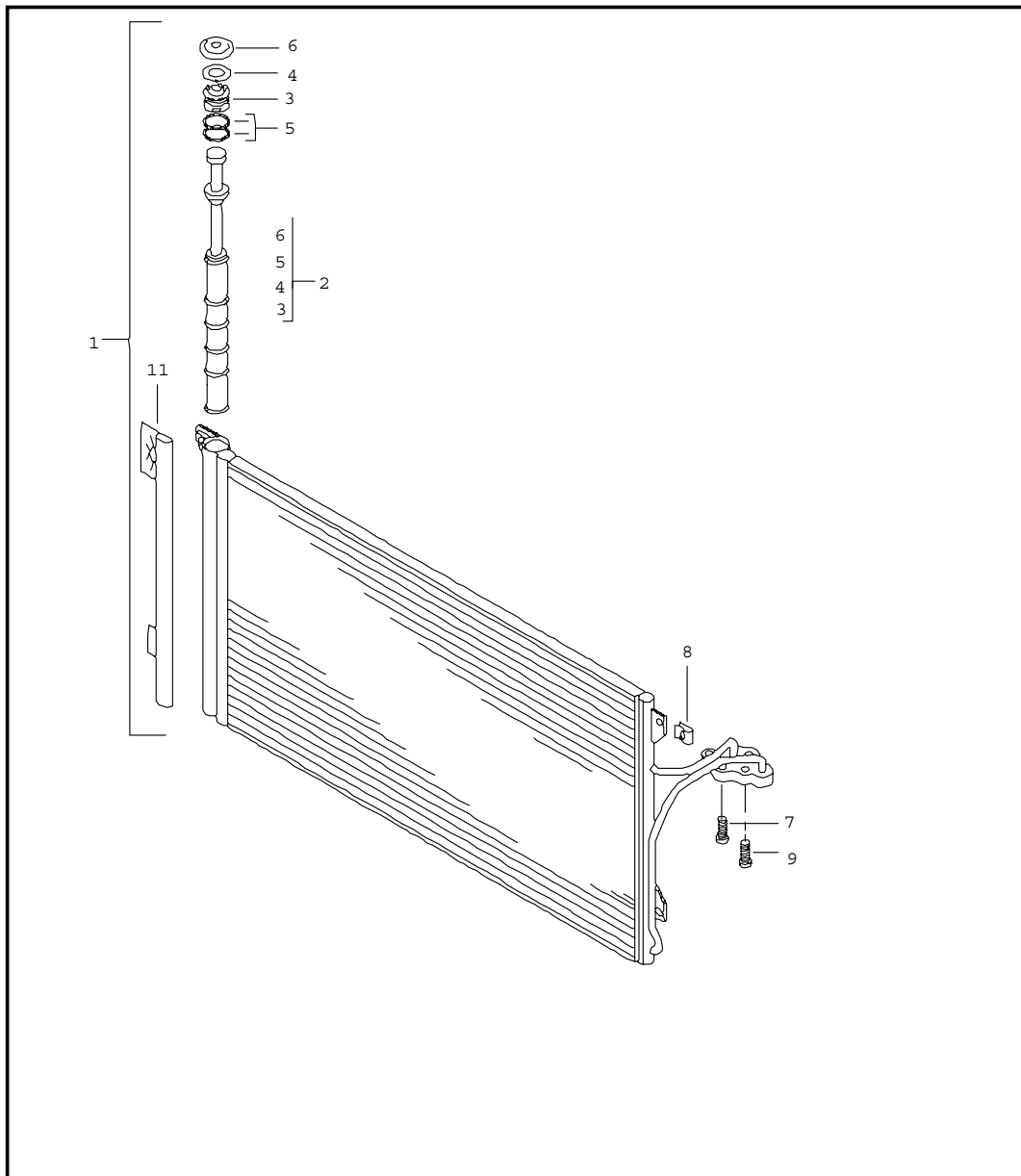


Pos	Part Number	Name	Remarks	Qty	Model
		cover plenum panel fresh-air intake system			
1	955 572 563 02	cover	/LL	1	
	01C	satin black			
(1)	955 572 564 03	cover	/RL	1	
	01C	satin black			
2 A	955 572 561 02	cover	/LL	1	
	01C	satin black			
2	955 572 561 03	cover	/LL	1	
	01C	satin black			
(2)	955 572 562 00	cover	/RL/L	1	
	01C	satin black			
(2)	955 572 566 02	cover	/RL	1	
	01C	satin black			
(2)	955 572 566 03	cover	/RL	1	
	01C	satin black			
3	955 572 710 00	plug		4	
4	955 572 711 00	clamp		4	
5	955 572 569 01	cover	/L	1	
6	955 572 568 01	cover	/R	1	
7	955 572 712 00	clamp		2	
8	955 572 029 00	housing fresh-air intake system	/LL	1	
(8)	955 572 030 00	housing fresh-air intake system	/RL	1	
9	N 907 579 01	hexagon nut M 6		2	
10	955 618 550 00	sensor	-03	1	
10	955 618 550 01	sensor	04-	1	
11	955 618 556 00	clip		1	
12	955 572 570 01	plenum panel		1	

Model	Year	MG	SG	Illustration	Restrictions	Update	19:01	16.08.2006	PORSCHE	PET	PORSCHE
9pa	06	8	13	813-20		203					

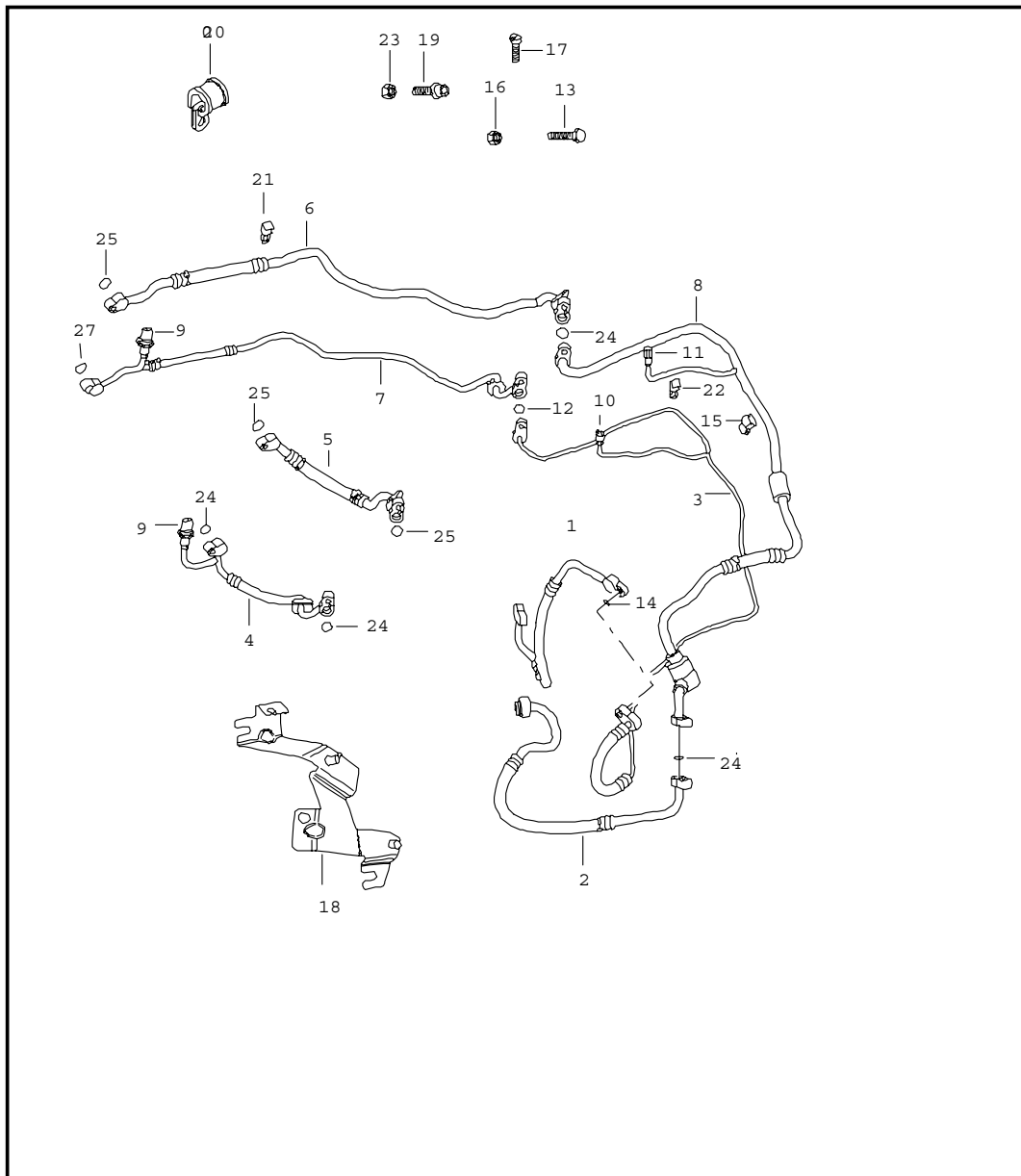
Pos	Part Number	Name	Remarks	Qty	Model	Pos	Part Number	Name	Remarks	Qty	Model
13	N 015 082 5	nut		X							
14	955 572 572 01	plenum panel		1							
15	955 572 571 01	plenum panel		1							
16	N 011 666 15	washer		X							
17	N 906 381 02	screw		X							
18	955 572 574 00	gasket		1							
19	955 572 573 00	gasket		1							
20	N 906 381 02	screw		2							
		- - - E N D - - -									

Model	Year	MG	SG	Illustration	Restrictions	Update	19:01	16.08.2006	PORSCHE	PET	PORSCHE
9pa	06	8	13	813-21		203					



Pos	Part Number	Name	Remarks	Qty	Model
		condenser for air conditioner			
1	A 955 573 111 02	condenser		1	
1	N 955 573 111 03	condenser		1	
2	A 955 573 143 00	desiccator		1	
2	955 573 143 01	desiccator		1	
3	955 573 115 00	cap		1	
4	N 909 939 01	circlip		1	
5	N 909 870 01	o-ring		1	
6	955 573 116 00	cover		1	
7	N 104 514 02	torx screw		2	
8	999 166 034 02	safety clip		2	
9	N 104 144 01	pan-head screw		X	
11	955 573 117 00	sealing strip	/L	1	
11	955 573 118 00	sealing strip	/R	1	
		- - - E N D - - -			

Model	Year	MG	SG	Illustration	Restrictions	Update	19:01	16.08.2006	PORSCHE	PET	PORSCHE
9pa	06	8	13	813-22		203					

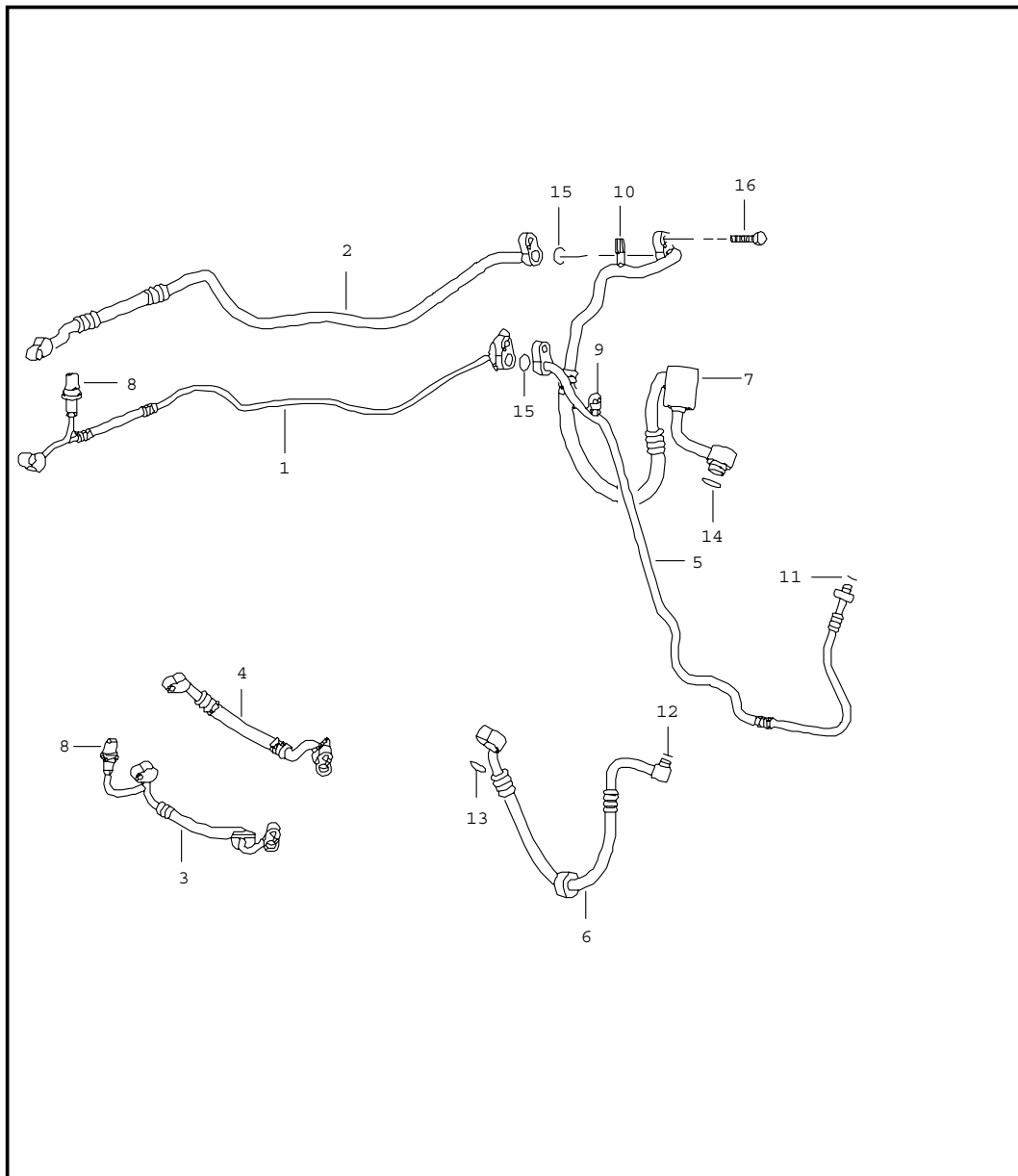


Pos	Part Number	Name	Remarks	Qty	Model
		refrigerant circuit front			
1	955 573 083 00	pressure line		1	ID9K/ID9L
-	955 572 324 00	round seal 10,8 X 1,82 compressor		1	
2	A 955 573 093 00	intake pipe		1	ID9K/D9L
2	955 573 093 03	intake pipe		1	ID9K/D9L
2	955 573 093 02	intake pipe		1	ID9J/9AH
-	955 573 109 00	o-ring 23,8 X 2,4 compressor		1	
3	955 573 081 00	pressure line		1	
4	955 573 084 00	pressure line	/RL	1	
5	955 573 094 00	intake pipe	/RL	1	
6	A 955 573 095 00	intake pipe	/LL	1	
6	955 573 095 01	intake pipe	/LL	1	
7	955 573 080 00	pressure line	/LL	1	
8	955 573 092 00	intake pipe		1	
9	955 613 137 00	pressure switch when required order also:		1	
-	999 707 555 41	o-ring 10,8 X 1,8		1	
10	955 573 100 00	valve with cap		1	
11	955 573 101 00	valve with cap		1	
12	955 572 110 00	o-ring NW 10		X	
13	N 104 144 01	screw M 8X28		X	
14	955 572 094 00	o-ring 11,0 X 2,5		X	
15	955 573 104 00	dual clip		X	

Model	Year	MG	SG	Illustration	Restrictions	Update	19:01	16.08.2006	PORSCHE	PET	PORSCHE
9pa	06	8	13	813-22		203					

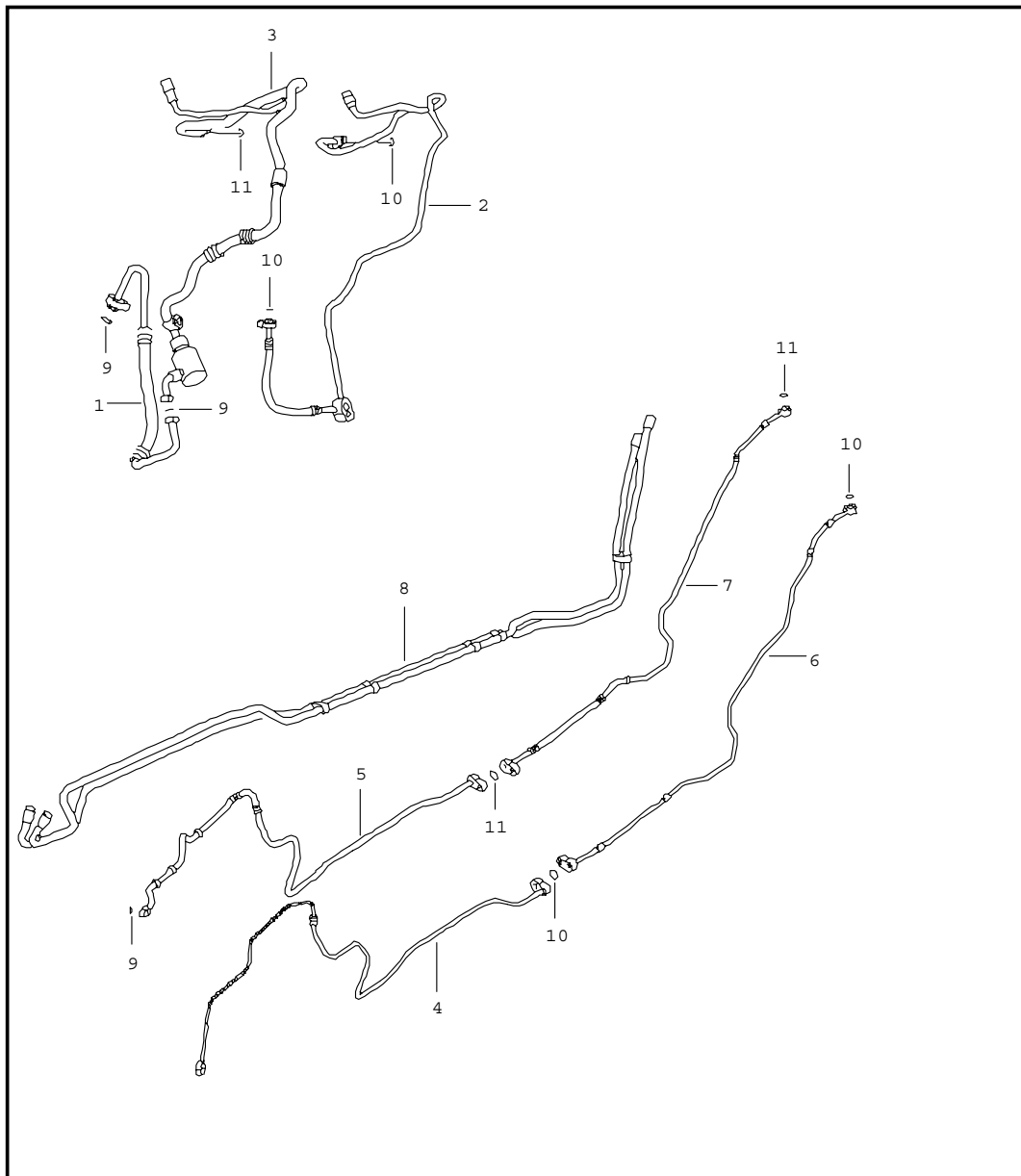
Pos	Part Number	Name	Remarks	Qty	Model	Pos	Part Number	Name	Remarks	Qty	Model
16	955 573 105 00	expander nut		X							
17	N 043 939 1	lens-head screw 4,8X35		X							
18	955 573 106 00	support		X							
19	N 104 514 04	torx screw M 6X16		X							
20	N 020 647 1	clip D 24		X							
21	955 573 107 00	holder		X							
22	999 511 116 02	clamp D 10		X							
23	900 377 010 09	hexagon nut M 6		X							
24	955 573 103 00	o-ring 13,7 X 2,5		X							
25	955 572 082 00	o-ring NW 13		X							
27	955 573 103 00	o-ring NW16		X							
- - - E N D - - -											

Model	Year	MG	SG	Illustration	Restrictions	Update	19:02	16.08.2006	PORSCHE	PET	PORSCHE
9pa	06	8	13	813-23		203					



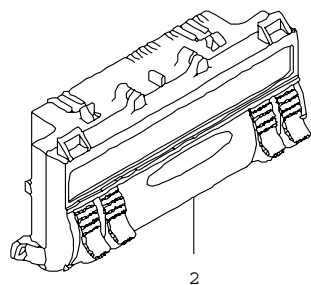
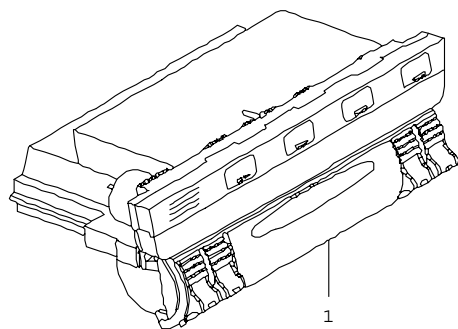
Pos	Part Number	Name	Remarks	Qty	Model
		refrigerant circuit front			V 6
1	955 573 080 00	pressure line	/LL	1	
2	A 955 573 095 00	intake pipe	/LL	1	
2	955 573 095 01	intake pipe	/LL	1	
3	955 573 084 00	pressure line	/RL	1	
4	955 573 094 00	intake pipe	/RL	1	
5	955 573 082 10	pressure line		1	
6	955 573 083 10	pressure line	04	1	
6	955 573 083 20	pressure line	05-	1	
7	955 573 093 10	intake pipe		1	
8	955 613 137 00	pressure switch when required order also:		1	
-	999 707 555 41	o-ring 10,8 X 1,8		1	
9	955 573 100 00	valve		1	
10	955 573 101 00	valve		1	
11	955 572 110 00	o-ring NW 10		X	
12	955 572 324 00	o-ring NW 10		X	
13	955 572 094 00	o-ring NW 13		X	
14	955 573 103 00	o-ring NW 16		X	
15	955 573 109 00	o-ring NW 26		X	
16	N 104 144 01	pan-head screw M 8X28		X	
		- - - E N D - - -			

Model	Year	MG	SG	Illustration	Restrictions	Update	19:02	16.08.2006	PORSCHE	PET	PORSCHE
9pa	06	8	13	813-24		203					



Pos	Part Number	Name	Remarks	Qty	Model
		refrigerant circuit hot air duct rear			
1	955 572 101 00	intake pipe		1	
2	955 572 102 00	pressure line		1	
3	955 572 103 00	intake pipe		1	
4	955 572 104 00	pressure line		1	
5	955 572 105 00	intake pipe		1	
6	955 572 106 00	pressure line		1	
7	955 572 107 00	intake pipe		1	
8	955 572 108 00	water tube		1	
9	955 572 094 00	o-ring		X	
10	955 572 110 00	o-ring		2	
11	955 573 103 00	o-ring		X	
12	955 573 101 00	valve		1	
		- - - E N D - - -			

Model	Year	MG	SG	Illustration	Restrictions	Update	19:02	16.08.2006	PORSCHE	PET	PORSCHE
9pa	06	8	13	813-45		203					

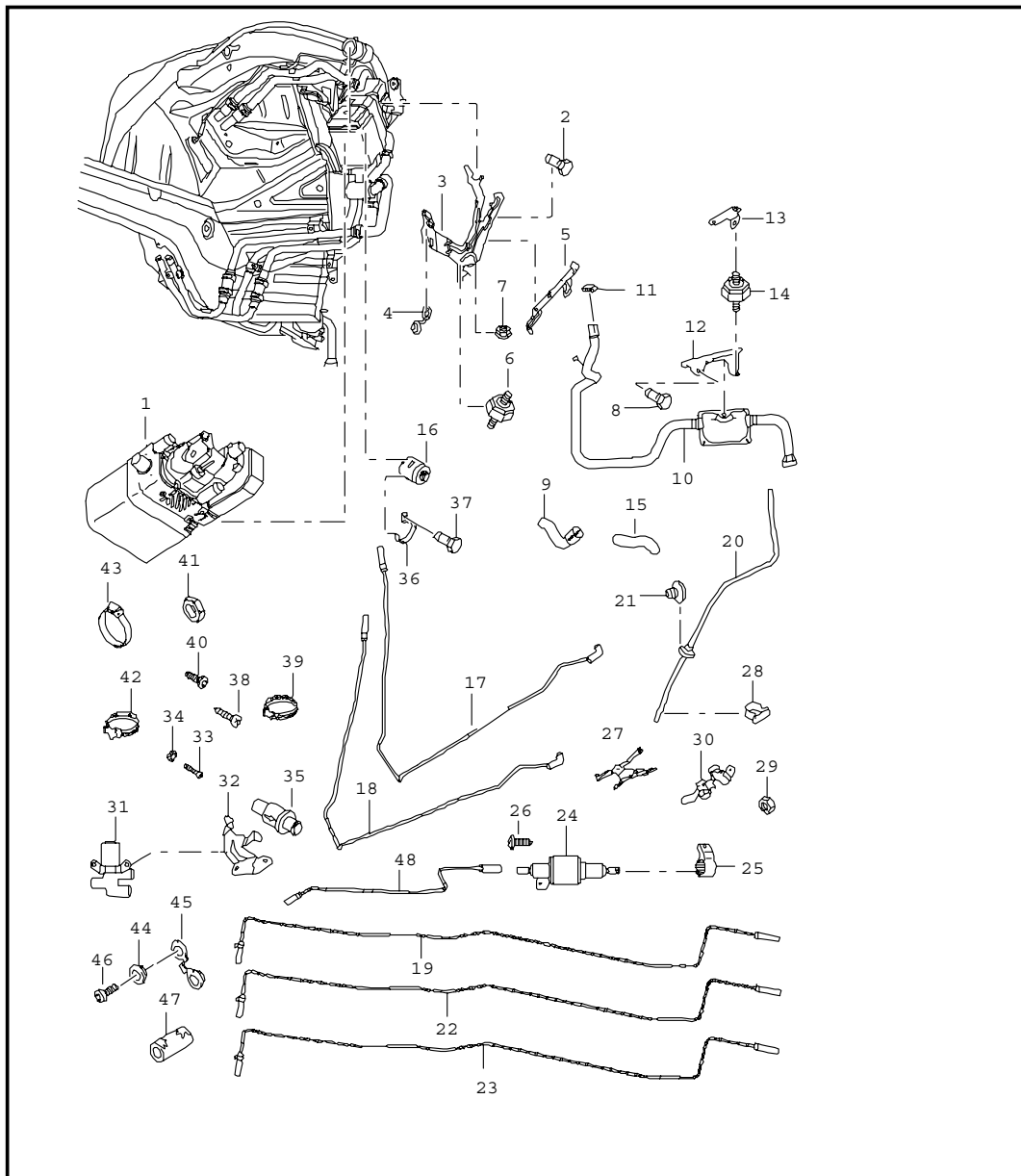


Pos	Part Number	Name	Remarks	Qty	Model
		control part			
1	955 653 101 03	control part		1	ID9J/9AB/9M0 I5MA
(1)	955 653 102 03	control part		1	ID9J/9AB/7VL I7VE/5MA
(1)	955 653 103 04	control part		1	I9AD/D9J/9M0 I5MA
(1)	955 653 104 03	control part		1	I9AD/D9J/7VE I7VL/5MA
(1)	955 653 105 02	control part		1	I9AH/D9J/9M0 I5MA
(1)	955 653 106 02	control part		1	I9AH/D9J/7VE I7VL/5MA
(1)	955 653 104 01	control part		1	I9AD/D9J/7VE I7VL/5TE/5TF I5MG/5TK
(1)	955 653 104 05	control part		1	I9AD/D9J/7VE I7VL/5TE/5TF I5MG/5TK
(1)	955 653 113 02	control part		1	I9AH/9M0 I5TE/5TF/5TK I5MG
(1)	955 653 114 02	control part		1	I9AH/ I7VE/7VL
(1) A	955 653 103 01	control part		1	I9AD/9M0 I5TE/5TF/5MG I5TK
(1)	955 653 103 03	control part		1	I9AD/9M0
(1)	955 653 115 03	control part		1	I9AB/9M0 I5TE/5TF/5TK I5MG
(1)	955 653 116 02	control part		1	I9AB/7VE I7VL/5TE/5TF I5TF/5TK/5MG
(1)	955 653 120 00	control part		1	IE8A/9AD/9M0
(1)	955 653 121 00	control part		1	IE8A/7VE/7VL I9AD
(1)	955 653 122 00	control part		1	IE8A/9AH/9M0
(1)	955 653 123 00	control part		1	IE8A/7VE/7VL I9AH

Model	Year	MG	SG	Illustration	Restrictions	Update	19:02	16.08.2006	PORSCHE	PET	PORSCHE
9pa	06	8	13	813-45		203					

Pos	Part Number	Name	Remarks	Qty	Model	Pos	Part Number	Name	Remarks	Qty	Model
2	955 653 201 02	control part		1	ID9J						
(2)	955 653 202 02	control part		1	ID9J/4A4						
(2) A	955 653 203 02	control part		1	ID9K/D9L						
(2) N	955 653 203 03	control part		1	ID9K/D9L						
(2)	955 653 204 01	control part		1	ID9K/D9L/4A4						
(2) N	955 653 205 02	control part		1	ID9L/E8A/4A4						
		- - - E N D - - -									

Model	Year	MG	SG	Illustration	Restrictions	Update	19:02	16.08.2006	PORSCHE	PET	PORSCHE
9pa	06	8	13	813-50		203					

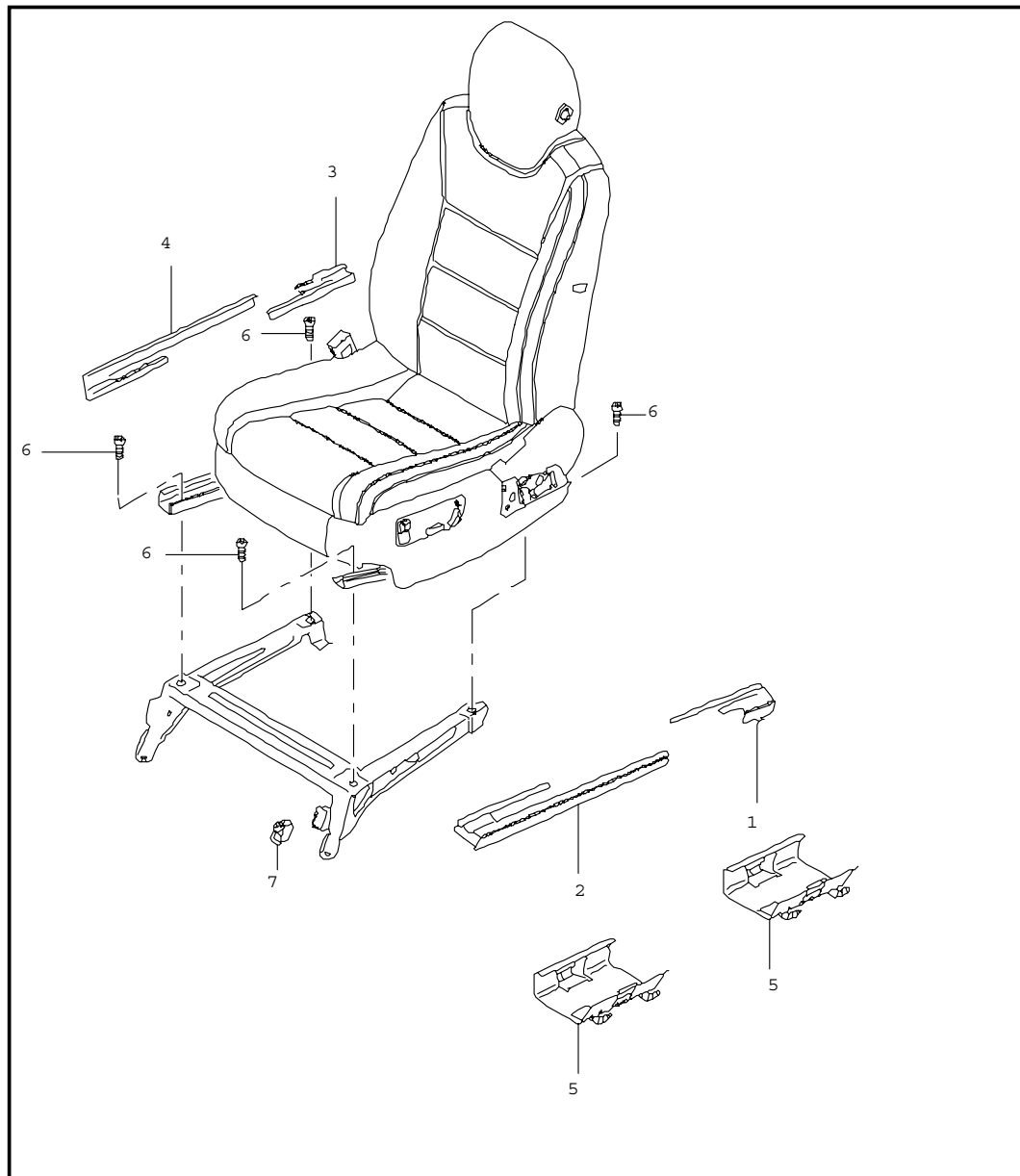


Pos	Part Number	Name	Remarks	Qty	Model
		additional heating			I7VL I7VE
1	955 572 801 01	heater		1	
2	955 572 802 00	hexagon-head bolt 6 X 18		3	
3	955 572 803 00	support		1	
4	955 572 804 00	rubber mounting		1	
5	955 572 805 00	support		1	
6	955 572 833 00	bonded rubber mounting		2	
7	N 015 082 5	hexagon nut M 6		9	
8	955 572 802 00	hexagon-head bolt M 6 X 18		4	
9	955 572 806 01	exhaust pipe		1	
10	955 572 807 01	exhaust silencer		1	
11	N 104 361 01	clip 25 X 15		1	
12	955 572 808 00	support		1	
13	955 572 809 00	support		1	
14	955 572 810 00	bonded rubber mounting		1	
15	955 572 811 01	intake manifold		1	
16	955 572 812 00	muffler		1	
17	955 572 813 00	hose		1	
18	955 572 814 00	fuel line		1	
19	955 572 815 00	fuel hose		2	
20	955 572 816 00	fuel line		1	
21	311 949 149 B	rubber sleeve		1	
22	955 572 818 00	fuel line		1	
23	955 572 819 00	hose		1	
24	955 572 820 00	fuel pump		1	
25	955 572 821 00	rubber holder		1	

Model	Year	MG	SG	Illustration	Restrictions	Update	19:02	16.08.2006	PORSCHE	PET	PORSCHE
9pa	06	8	13	813-50		203					

Pos	Part Number	Name	Remarks	Qty	Model	Pos	Part Number	Name	Remarks	Qty	Model
26	N 104 562 01	pan-head screw M 6X25		1							
27	955 572 822 00	support		1							
28	N 101 981 01	hose clamp 11,8 X 5		6							
29	N 903 521 01	plastic nut T 5		1							
30	955 572 823 00	support		1							
31	955 572 824 01	valve	-05	1							
31	955 572 824 03	valve	06-	1							
32	955 572 826 00	support		1							
33	N 104 514 04	screw M 6X16		2							
34	900 377 010 09	hexagon nut M 6		2							
35	955 572 825 00	check valve		1							
36	955 572 826 00	clip		1							
37	N 909 117 01	hexagon-head bolt		1							
38	N 013 964 9	oval-head sheetmetal screw		1							
39	N 105 900 01	clip		1							
40	N 104 514 04	screw		1							
41	900 377 010 09	hexagon nut		1							
42	N 106 024 01	clip		1							
43	N 904 252 01	clip		1							
44	955 572 827 00	bush		1							
45	955 572 828 00	bearing		1							
46	N 104 562 01	pan-head screw		1							
47	955 572 784 00	hose		1							
48	955 201 355 10	fuel line	-05	1							
48	955 201 355 12	fuel line	06-	1							
--	955 612 517 00	wiring harness		1							
- - - E N D - - -											

Model	Year	MG	SG	Illustration	Restrictions	Update	19:03	16.08.2006	PORSCHE	PET	PORSCHE
9pa	06	8	17	817-00		203					

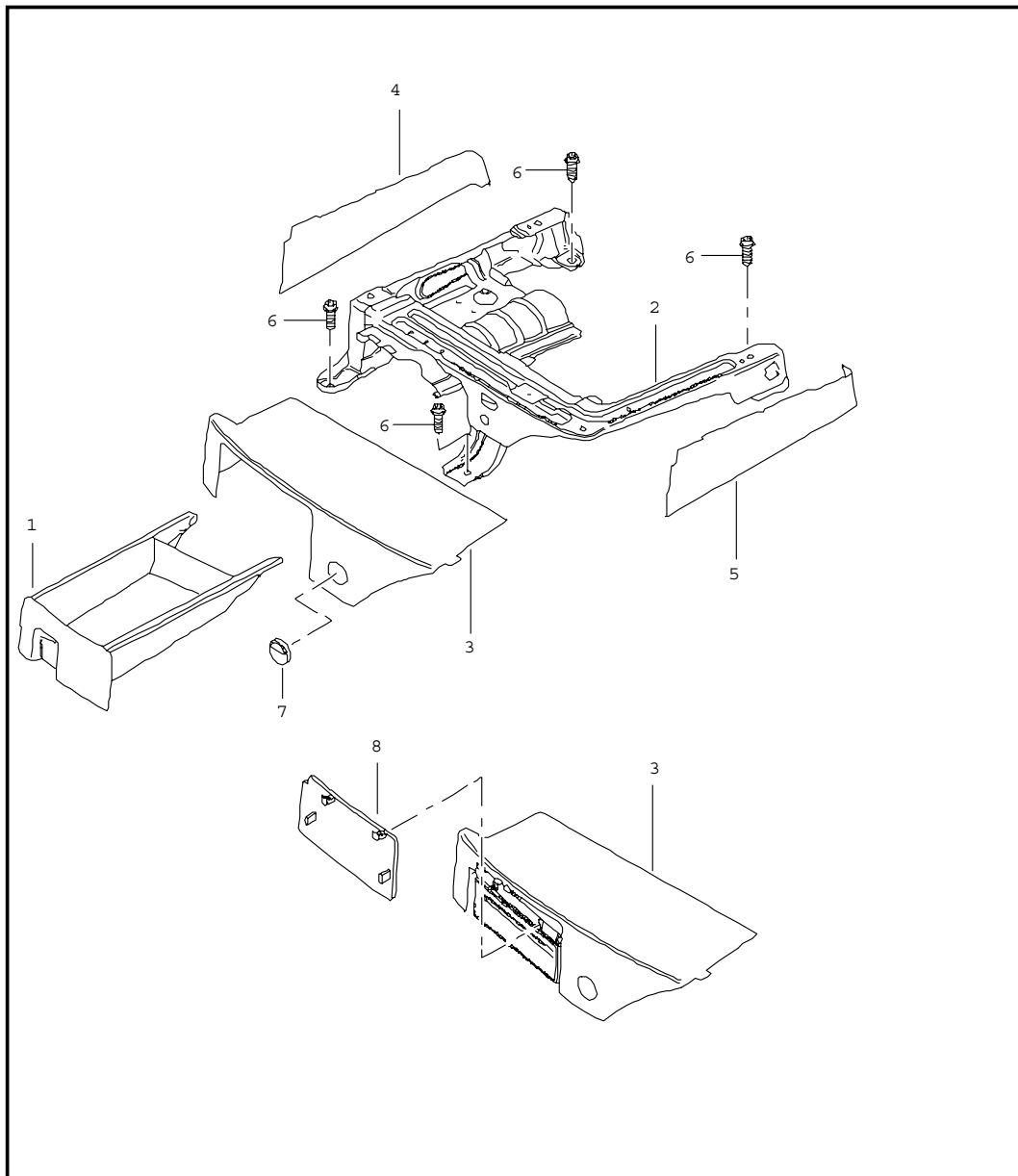


Pos	Part Number	Name	Remarks	Qty	Model
		front seat complete not available			
1	955 521 337 01	cover seat rail front seat	/L/R	1	I3L4/3L5/3PN I4UB/4UD/4UE
	01C	satin black			
	6C6	sand beige			
	6H8	palmgreen			
	7A8	steel grey			
(1)	955 521 356 00	cover seat rail front seat	06-	1	I3L4/3L5 I3PN/4UQ
	01C	satin black			
	6C6	sand beige			
	6H8	palmgreen			
	7A8	steel grey			
2	955 521 332 03	cover seat rail driver's side	/L	1	I3L4/3L5/3PN
	01C	satin black			
	6C6	sand beige			
	6H8	palmgreen			
	7A8	steel grey			
(2)	955 521 342 04	cover seat rail passenger's side	/L	1	I3L4/3L5 I3PN/4UQ
	01C	satin black			
	6C6	sand beige			
	6H8	palmgreen			
	7A8	steel grey			
3	955 521 338 01	cover seat rail front seat	/L/R	1	I3L4/3L5/3PN I4UB/4UD/4UE
	01C	satin black			

Model	Year	MG	SG	Illustration	Restrictions	Update	19:03	16.08.2006	PORSCHE	PET	PORSCHE
9pa	06	8	17	817-00		203					

Pos	Part Number	Name	Remarks	Qty	Model	Pos	Part Number	Name	Remarks	Qty	Model
		6C6 sand beige									
		6H8 palmgreen									
		7A8 steel grey									
(3)	955 521 358 00	cover seat rail front seat	06-	1	I3L4/3L5 I3PN/4UQ						
		01C satin black									
		6C6 sand beige									
		6H8 palmgreen									
		7A8 steel grey									
4	955 521 351 02	cap seat rail driver's side	/R	1	I3L4/3L5/3PN						
		01C satin black									
		6C6 sand beige									
		6H8 palmgreen									
		7A8 steel grey									
(4)	955 521 355 03	cover seat rail passenger's side	/R	1	I3L4/3L5 I3PN/4UQ						
		01C satin black									
		6C6 sand beige									
		6H8 palmgreen									
		7A8 steel grey									
5	955 521 353 00	clamp seat rail		4	I3L4/3L5/3PN						
6	N 909 650 01	screw M 10 X 30 seat rail		4							
7	955 521 370 00	fixing clip		2							
		- - - E N D - - -									

Model	Year	MG	SG	Illustration	Restrictions	Update	19:03	16.08.2006	PORSCHE	PET	PORSCHE
9pa	06	8	17	817-05		203					



Pos	Part Number	Name	Remarks	Qty	Model
		base lining			CAYENNE
1	955 521 400 01	drawer passenger's side without fire extinguisher		1	I6A0/4UB/4UD I4UE/8DU/8YZ
	01C	satin black			
	6C6	sand beige			
	6H8	palmgreen			
	7A8	steel grey			
(1)	955 521 401 02	drawer passenger's side		1	I6A5/6A4/4UB I4UD/4UE
	01C	satin black			
	6C6	sand beige			
	6H8	palmgreen			
	7A8	steel grey			
(1)	955 521 402 01	drawer passenger's side	/R 06-	1	I6A5/4UQ
	01C	satin black			
	6C6	sand beige			
	6H8	palmgreen			
	7A8	steel grey			
(1)	955 521 404 01	drawer passenger's side	/R 06-	1	I4UQ/6A0/8DU
	01C	satin black			
	6C6	sand beige			
	6H8	palmgreen			
	7A8	steel grey			
2	955 521 410 02	base seat passenger's side	/R	1	I4UB/4UD I4UE
(2)	955 521 411 01	base seat driver's side	/L	1	

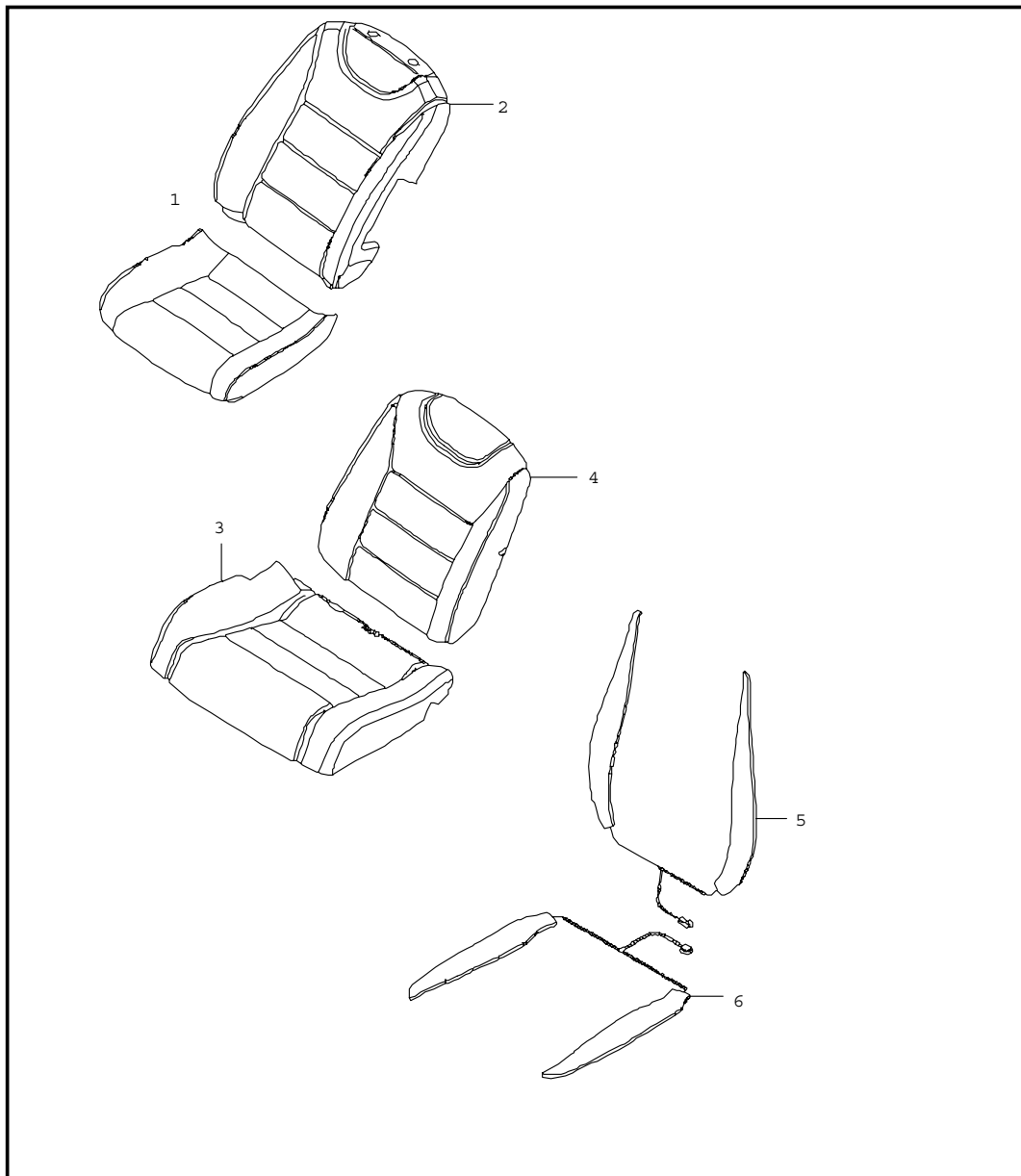
Model	Year	MG	SG	Illustration	Restrictions	Update	19:03	16.08.2006	PORSCHE	PET	PORSCHE
9pa	06	8	17	817-05		203					

Pos	Part Number	Name	Remarks	Qty	Model	Pos	Part Number	Name	Remarks	Qty	Model
3	955 521 416 01	lining base passenger's side tufting velour	/R	1	I3L4/3L5/3PN I3ME/6A4/6A5		8C3	steel grey			
	7H1	black					8D4	sand beige			
	7K3	sand beige				(3)	955 521 422 00	lining base passenger's side pearl velour	/R 06-	1	I3L4/3L5/3PN 3MT/4UQ
	7L4	palmgreen					8E5	palmgreen			
	7J2	steel grey					8B2	black			
(3)	955 521 418 00	lining base passenger's side tufting velour	/R 06-	1	I3L4/3L5/3PN I3ME/4UQ		8C3	steel grey			
	7H1	black					8D4	sand beige			
	7K3	sand beige				4	955 521 432 01	lining base passenger's side pearl velour		1	I3L4/3L5/3PN I3MT/4UB/4UD I4UE
	7L4	palmgreen					8E5	palmgreen			
	7J2	steel grey					8B2	black			
(3)	955 521 417 02	lining base driver's side	/L	1	I3L4/3L5 I3PN/3MT		8C3	steel grey			
	8B2	black					8D4	sand beige			
	8D4	sand beige				(4)	955 521 436 00	lining base passenger's side pearl velour	06-	1	I3L4/3L5/3PN I3MT/4UQ
	8E5	palmgreen					8E5	palmgreen			
	8C3	steel grey					8B2	black			
(3)	955 521 419 01	lining base driver's side tufting velour	/L	1	I3L4/3L5 I3PN/3ME		8C3	steel grey			
	7H1	black					8D4	sand beige			
	7J2	steel grey				(4)	955 521 434 01	lining base passenger's side tufting velour		1	I3L4/3L5/3PN I3ME/4UB/4UD I4UE
	7K3	sand beige					8E5	palmgreen			
	7L4	palmgreen					7H1	black			
(3)	955 521 420 01	lining base passenger's side pearl velour	/R	1	I3L4/3L5/3PN I3MT/6A4/6A5		7J2	steel grey			
	8B2	black					7K3	sand beige			
							7L4	palmgreen			

Model	Year	MG	SG	Illustration	Restrictions	Update	19:03	16.08.2006	PORSCHE	PET	PORSCHE
9pa	06	8	17	817-05		203					

Pos	Part Number	Name	Remarks	Qty	Model	Pos	Part Number	Name	Remarks	Qty	Model
(4)	955 521 438 00	lining base passenger's side tufting velour	06-	1	I3L4/3L5/3PN I3ME/4UQ		6C6	sand beige			
	7H1	black					6H8	palmgreen			
	7J2	steel grey					7A8	steel grey			
	7K3	sand beige				(8)	955 521 551 01	cover dvd device		1	I4UQ/8DQ/8DV
	7L4	palmgreen					01C	satin black			
5	955 521 443 01	lining base driver's side		1	I3L4/3L5 I3PN/3MT		6C6	sand beige			
	8B2	black					6H8	palmgreen			
	8C3	steel grey					7A8	steel grey			
	8D4	sand beige						- - - E N D - - -			
	8E5	PALM-GRUEN									
(5)	955 521 445 01	lining base driver's side		1	I3L4/3L5 I3PN/3ME						
	7H1	black									
	7J2	steel grey									
	7K3	sand beige									
	7L4	palmgreen									
6	N 910 192 01	screw M 10 X 25 mount base		4							
7	955 521 480 00	cap lining seat		1							
	01C	satin black									
	6C6	sand beige									
	6H8	palmgreen									
	7A8	steel grey									
8	955 521 550 00	cover dvd device		1	I8DQ/8DV						
	01C	satin black									

Model	Year	MG	SG	Illustration	Restrictions	Update	19:03	16.08.2006	PORSCHE	PET	PORSCHE
9pa	06	8	17	817-10		203					



Pos	Part Number	Name	Remarks	Qty	Model
		cover front seat foam part			CAYENNE
1	955 521 141 01	cover comfort seat seat surface leather embossed without heating PBW sand beige PBX steel grey PBY black PBZ palmgreen	/L -04	1	IN1X/4A0/Q2J
(1)	955 521 142 01	cover comfort seat seat surface leather embossed without heating PBW sand beige PBX steel grey PBY black PBZ palmgreen	/R -04	1	IN1X/4A0/Q2J
(1)	955 521 141 05	cover comfort seat seat surface without heating PBW sand beige PBX steel grey PBY black PBZ palmgreen	/L 05-	1	IN1X/Q2J/4A0
(1)	955 521 142 05	cover comfort seat seat surface without heating PBW sand beige PBX steel grey PBY black	/R 05-	1	IN1X/Q2J/4A0

Model	Year	MG	SG	Illustration	Restrictions	Update	19:03	16.08.2006	PORSCHE	PET	PORSCHE
9pa	06	8	17	817-10		203					

Pos	Part Number	Name	Remarks	Qty	Model	Pos	Part Number	Name	Remarks	Qty	Model
(1)	955 521 153 01	PBZ palmgreen cover comfort seat seat surface draped leather without heating	/L -04	1	IN7F/4A0/Q2J	(1)	955 521 161 01	cover sports seat seat surface plain leather	/L -04	1	IN5U/Q1D
		PBW sand beige					PCA sand beige				
		PBX steel grey					PCB steel grey				
		PBY black					PCC black				
		PBZ palmgreen					PCD palmgreen				
(1)	955 521 144 01	cover comfort seat seat surface draped leather without heating	/R -04	1	IN7F/4A0/Q2J	(1)	955 521 146 01	cover sports seat seat surface plain leather	/R -04	1	IN5U/Q1D
		PBW sand beige					PCA sand beige				
		PBX steel grey					PCB steel grey				
		PBY black					PCC black				
		PBZ palmgreen					PCD palmgreen				
(1)	955 521 153 05	cover comfort seat seat surface without heating	/L 05-	1	IN7F/Q2J/4A0	(1)	955 521 161 05	cover	/L 05-	1	IN5U/4A3 I4A4/Q1D
		PBW sand beige				(1)	955 521 146 05	cover sports seat seat surface with heating	/R 05-	1	IN5U/4A3 I4A4/Q1D
		PBX steel grey					PCA sand beige				
		PBY black					PCB steel grey				
		PBZ palmgreen					PCC black				
(1)	955 521 144 05	cover comfort seat seat surface without heating	/R 05-	1	IN7F/Q2J/4A0	(1)	955 521 149 00	cover seat surface without heating	/L 05-	1	IN5U/Q1D/4A0
		PBW sand beige					PCA sand beige				
		PBX steel grey					PCB steel grey				
		PBY black					PCC black				
		PBZ palmgreen					PCD palmgreen				
						(1)	955 521 148 00	cover seat surface without heating	/R 05-	1	IN5U/Q1D/4A0

Model	Year	MG	SG	Illustration	Restrictions	Update	19:03	16.08.2006	PORSCHE	PET	PORSCHE
9pa	06	8	17	817-10		203					

Pos	Part Number	Name	Remarks	Qty	Model	Pos	Part Number	Name	Remarks	Qty	Model
		PCA sand beige						PCC black			
		PCB steel grey						PCD palmgreen			
		PCC black				(1)	955 521 155 01	cover	/L -04	1	IN7D/Q2J I4A3/4A4
		PCD palmgreen				(1)	955 521 154 01	cover comfort seat seat surface with heating	/R -04	1	IN7D/Q2J I4A3/4A4
(1)	955 521 151 01	cover comfort seat seat surface plain leather without heating	/L -04	1	IN5U/Q2J/4A0			PCA sand beige			
		PCA sand beige						PCB steel grey			
		PCB steel grey						PCC black			
		PCC black						PCD palmgreen			
		PCD palmgreen				(1)	955 521 155 05	cover	/L 05-	1	IN7D/Q2J I4A3/4A4
(1)	955 521 152 01	cover comfort seat seat surface plain leather without heating	/R -04	1	IN5U/Q2J/4A0	(1)	955 521 154 05	cover comfort seat seat surface with heating	/R 05-	1	IN7D/Q2J I4A3/4A4
		PCA sand beige						PCA sand beige			
		PCB steel grey						PCB steel grey			
		PCC black						PCC black			
		PCD palmgreen						PCD palmgreen			
(1)	955 521 151 05	cover comfort seat seat surface without heating	/L 05-	1	IN5U/Q2J/4A0	(1)	955 521 163 01	cover comfort seat seat surface without heating	/L -04	1	IN7D/Q2J/4A0
		PCA sand beige						PCA sand beige			
		PCB steel grey						PCB steel grey			
		PCC black						PCC black			
		PCD palmgreen						PCD palmgreen			
(1)	955 521 152 05	cover comfort seat seat surface without heating	/R 05-	1	IN5U/Q2J/4A0	(1)	955 521 162 01	cover comfort seat seat surface without heating	/R -04	1	IN7D/Q2J/4A0
		PCA sand beige						PCA sand beige			
		PCB steel grey						PCB steel grey			

Model	Year	MG	SG	Illustration	Restrictions	Update	19:03	16.08.2006	PORSCHE	PET	PORSCHE
9pa	06	8	17	817-10		203					

Pos	Part Number	Name	Remarks	Qty	Model	Pos	Part Number	Name	Remarks	Qty	Model	
(1)	PCC	black				(1)	955 521 164 05	cover comfort seat seat surface with heating	/R 05-	1	IN1X/4A3/4A4	
	PCD	palmgreen						PBW	sand beige			
	955 521 163 05	cover comfort seat seat surface without heating	/L 05-	1	IN7D/Q2J/4A0			PBX	steel grey			
	PCA	sand beige						PBY	black			
	PCB	steel grey						PBZ	palmgreen			
(1)	PCC	black				(1)	955 521 167 01	cover	/L -04	1	IN7F/Q2J I4A3/4A4	
	PCD	palmgreen						955 521 166 01	cover comfort seat seat surface with heating	/R -04	1	IN7F/Q2J I4A3/4A4
	955 521 162 05	cover comfort seat seat surface without heating	/R 05-	1	IN7D/Q2J/4A0			PBW	sand beige			
	PCA	sand beige						PBX	steel grey			
	PCB	steel grey						PBY	black			
(1)	PCC	black				(1)	955 521 167 05	cover	/L 05-	1	IN7F/Q2J I4A3/4A4	
	PCD	palmgreen						955 521 166 05	cover comfort seat seat surface with heating	/R 05-	1	IN7F/Q2J I4A3/4A4
	955 521 165 01	cover	/L -04	1	IN1X/Q2J I4A3/4A4			PBW	sand beige			
	955 521 164 01	cover comfort seat seat surface with heating	/R -04	1	IN1X/Q2J I4A3/4A4			PBX	steel grey			
	PBW	sand beige						PBY	black			
(1)	PBX	steel grey				(1)	955 521 169 01	cover	/L -04	1	IN5U/Q2J I4A3/4A4	
	PBY	black						955 521 168 01	cover comfort seat seat surface with heating	/R -04	1	IN5U/Q2J I4A3/4A4
	PBZ	palmgreen						PCA	sand beige			
	955 521 165 05	cover comfort seat seat surface with heating	/L 05-	1	IN1X/4A3/4A4			PCB	steel grey			
	PBW	sand beige						PCC	black			
	PBX	steel grey										
	PBY	black										
	PBZ	palmgreen										

Model	Year	MG	SG	Illustration	Restrictions	Update	19:03	16.08.2006	PORSCHE	PET	PORSCHE
9pa	06	8	17	817-10		203					

Pos	Part Number	Name	Remarks	Qty	Model	Pos	Part Number	Name	Remarks	Qty	Model
(1)	955 521 168 05	PCD palmgreen cover	/R 05-	1	IN5U/Q2J I4A3/4A4	(2)	955 521 170 05	cover backrest without heating	/R 05	1	IN7F/Q2J/4A0
(1)	955 521 169 05	cover comfort seat seat surface with heating	/L 05-	1	IN5U/Q2J I4A3/4A4		PBW	sand beige			
		PCA sand beige					PBX	steel grey			
		PCB steel grey					PBY	black			
		PCC black					PBZ	palmgreen			
2	955 521 171 00	PCD palmgreen cover comfort seat draped leather backrest without heating	/L -04	1	IN7F/Q2J/4A0	(2)	955 521 171 06	cover backrest without heating	/L 06-	1	IN7F/Q2J/4A0
		PBW sand beige					PBW	sand beige			
		PBX steel grey					PBX	steel grey			
		PBY black					PBY	black			
		PBZ palmgreen					PBZ	palmgreen			
(2)	955 521 170 00	cover comfort seat draped leather backrest without heating	/R -04	1	IN7F/Q2J/4A0	(2)	955 521 170 06	cover backrest without heating	/R 06-	1	IN7F/Q2J/4A0
		PBW sand beige					PBW	sand beige			
		PBX steel grey					PBX	steel grey			
		PBY black					PBY	black			
		PBZ palmgreen					PBZ	palmgreen			
(2)	955 521 171 05	cover backrest without heating	/L 05	1	IN7F/Q2J/4A0	(2)	955 521 173 01	cover sports seat backrest plain leather	/L -04	1	IN5U/Q1D
		PBW sand beige					PCA	sand beige			
		PBX steel grey					PCB	steel grey			
		PBY black					PCC	black			
		PBZ palmgreen					PCD	palmgreen			
		PBW sand beige				(2)	955 521 172 01	cover sports seat backrest plain leather	/R -04	1	IN5U/Q1D
		PBX steel grey					PCA	sand beige			
		PBY black					PCB	steel grey			
		PBZ palmgreen									

Model	Year	MG	SG	Illustration	Restrictions	Update	19:03	16.08.2006	PORSCHE	PET	PORSCHE
9pa	06	8	17	817-10		203					

Pos	Part Number	Name	Remarks	Qty	Model	Pos	Part Number	Name	Remarks	Qty	Model
	PCC	black				(2)	955 521 191 06	cover backrest without heating sports seat	/L 06-	1	IQ1D/N5U/4A0
	PCD	palmgreen									
(2)	955 521 173 05	cover	05	1	IN5U/Q1D I4A3/4A4		PCA	sand beige			
(2)	955 521 172 05	cover backrest sports seat	05	1	IN5U/Q1D I4A3/4A4		PCB	steel grey			
	PCA	sand beige					PCC	black			
	PCB	steel grey					PCD	palmgreen			
	PCC	black				(2)	955 521 192 06	cover backrest without heating sports seat	/R 06-	1	IQ1D/N5U/4A0
	PCD	palmgreen									
(2)	955 521 173 06	cover	/L 06-	1	IN5U/Q1D I4A3/4A4		PCA	sand beige			
(2)	955 521 172 06	cover backrest sports seat with heating	/R 06-	1	IN5U/Q1D I4A3/4A4		PCB	steel grey			
	PCA	sand beige					PCC	black			
	PCB	steel grey					PCD	palmgreen			
	PCC	black				(2)	955 521 175 00	cover backrest comfort seat without heating	/L -04	1	IN1X/Q2J/4A0
	PCD	palmgreen									
(2)	955 521 191 00	cover backrest without heating	05	1	IQ1D/N5U/4A0		PBW	sand beige			
	PCA	sand beige					PBX	steel grey			
	PCB	steel grey					PBY	black			
	PCC	black					PBZ	palmgreen			
	PCD	palmgreen				(2)	955 521 181 00	cover backrest comfort seat without heating	/R -04	1	IN1X/Q2J/4A0
	PCA	sand beige									
	PCB	steel grey					PBW	sand beige			
	PCC	black					PBX	steel grey			
	PCD	palmgreen					PBY	black			
(2)	955 521 192 00	cover backrest without heating	05	1	IQ1D/N5U/4A0		PBZ	palmgreen			
	PCA	sand beige									
	PCB	steel grey				(2)	955 521 175 05	cover backrest without heating	/L 05	1	IN1X/Q2J/4A0
	PCC	black									
	PCD	palmgreen					PBW	sand beige			

Model	Year	MG	SG	Illustration	Restrictions	Update	19:03	16.08.2006	PORSCHE	PET	PORSCHE
9pa	06	8	17	817-10		203					

Pos	Part Number	Name	Remarks	Qty	Model	Pos	Part Number	Name	Remarks	Qty	Model
		PBX steel grey				(2)	955 521 182 00	cover backrest comfort seat without heating	/R -04	1	IN5U/Q2J/4A0
		PBY black									
		PBZ palmgreen									
(2)	955 521 181 05	cover backrest without heating	/R 05	1	IN1X/Q2J/4A0		PCA sand beige				
		PBW sand beige					PCB steel grey				
		PBX steel grey					PCC black				
		PBY black				(2)	955 521 176 05	cover backrest without heating	/L 05	1	IN5U/Q2J/4A0
		PBZ palmgreen					PCA sand beige				
(2)	955 521 175 06	cover backrest without heating	06-	1	IN1X/Q2J/4A0		PCB steel grey				
		PBW sand beige					PCC black				
		PBX steel grey					PCD palmgreen				
		PBY black				(2)	955 521 182 05	cover backrest without heating	/R 05	1	IN5U/Q2J/4A0
		PBZ palmgreen					PCA sand beige				
(2)	955 521 181 06	cover backrest without heating	06-	1	IN1X/Q2J/4A0		PCB steel grey				
		PBW sand beige					PCC black				
		PBX steel grey					PCD palmgreen				
		PBY black				(2)	955 521 176 06	cover backrest without heating	06-	1	IN5U/Q2J/4A0
		PBZ palmgreen					PCA sand beige				
(2)	955 521 176 00	cover backrest comfort seat without heating	/L -04	1	IN5U/Q2J/4A0		PCB steel grey				
		PCA sand beige					PCC black				
		PCB steel grey				(2)	955 521 182 06	cover backrest without heating	06-	1	IN5U/Q2J/4A0
		PCC black					PCA sand beige				
		PCD palmgreen					PCB steel grey				
							PCC black				

Model	Year	MG	SG	Illustration	Restrictions	Update	19:03	16.08.2006	PORSCHE	PET	PORSCHE
9pa	06	8	17	817-10		203					

Pos	Part Number	Name	Remarks	Qty	Model	Pos	Part Number	Name	Remarks	Qty	Model
(2)	955 521 177 00	PCD palmgreen cover backrest comfort seat without heating	/L -04	1	IN7D/Q2J/4A0	(2)	955 521 174 06	cover backrest without heating	/R 06-	1	IQ2J/N7D/4A0
	PCA	sand beige					PCA	sand beige			
	PCB	steel grey					PCB	steel grey			
	PCC	black					PCC	black			
(2)	955 521 174 00	PCD palmgreen cover backrest comfort seat without heating	/R -04	1	IN7D/Q2J/4A0	(2)	955 521 178 01	cover	/L -04	1	IN5U/Q2J I4A3/4A4
	PCA	sand beige				(2)	955 521 186 01	cover backrest comfort seat	/R -04	1	IN5U/Q2J I4A3/4A4
	PCB	steel grey					PCA	sand beige			
	PCC	black					PCB	steel grey			
	PCD	palmgreen					PCC	black			
(2)	955 521 177 05	PCD palmgreen cover backrest without heating	/L 05	1	IN7D/Q2J/4A0		PCD	palmgreen			
	PCA	sand beige				(2)	955 521 178 06	cover	/L 05	1	IN5U/Q2J I4A3/4A4
	PCB	steel grey				(2)	955 521 186 06	cover backrest with heating	/R 05	1	IN5U/Q2J I4A3/4A4
	PCC	black					PCA	sand beige			
	PCD	palmgreen					PCB	steel grey			
(2)	955 521 174 05	cover backrest without heating	/R 05	1	IN7D/Q2J/4A0		PCC	black			
	PCA	sand beige					PCD	palmgreen			
	PCB	steel grey				(2)	955 521 178 07	cover	/L 06-	1	IN5U/Q2J I4A3/4A4
	PCC	black				(2)	955 521 186 07	cover backrest with heating	/R 06-	1	IN5U/Q2J I4A3/4A4
	PCD	palmgreen					PCA	sand beige			
(2)	955 521 177 06	cover backrest without heating	/L 06-	1	IQ2J/N7D/4A0		PCB	steel grey			
	PCA	sand beige									

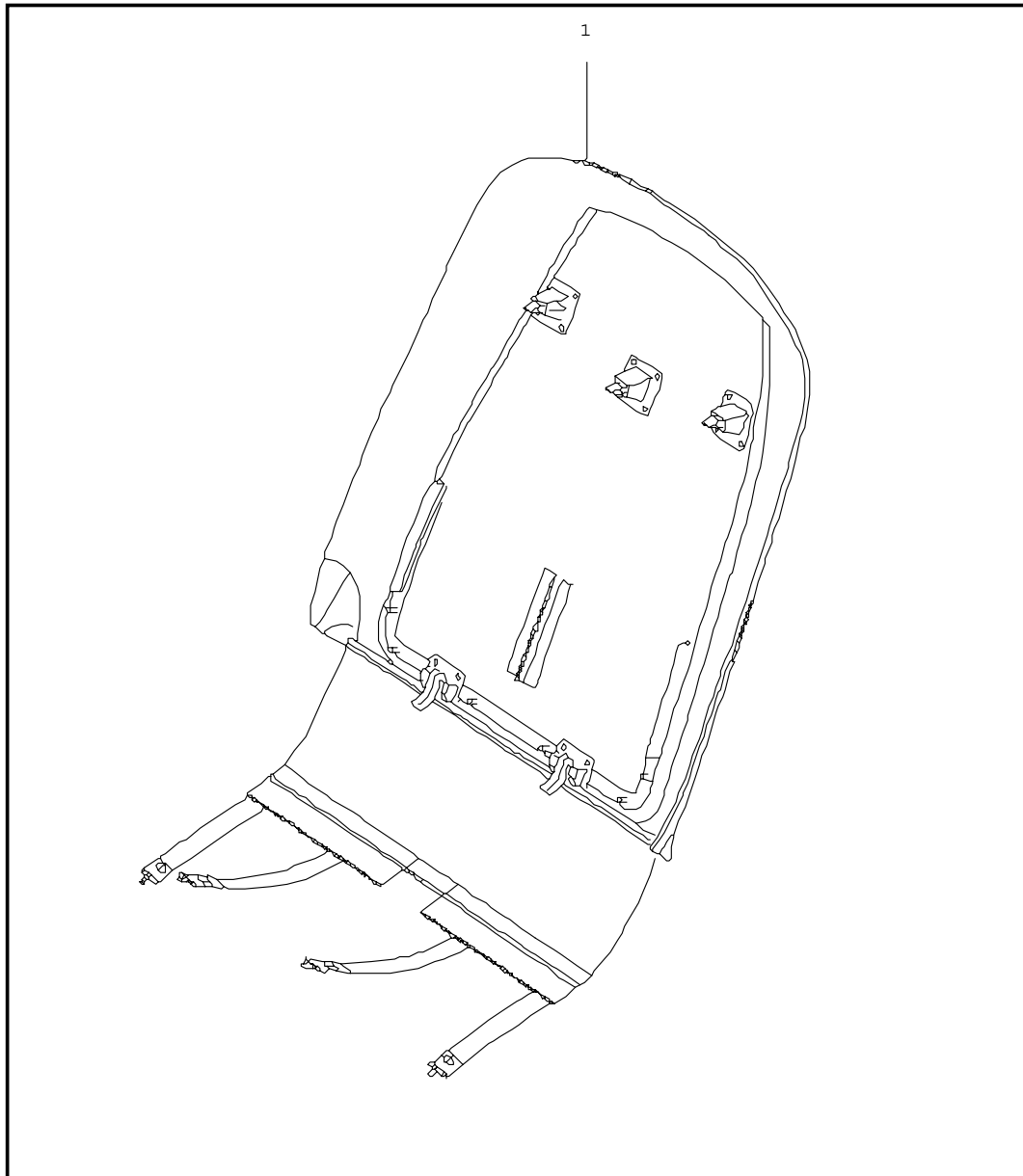
Model	Year	MG	SG	Illustration	Restrictions	Update	19:03	16.08.2006	PORSCHE	PET	PORSCHE
9pa	06	8	17	817-10		203					

Pos	Part Number	Name	Remarks	Qty	Model	Pos	Part Number	Name	Remarks	Qty	Model
	PCC	black				(2)	955 521 180 01	cover	/L -04	1	IN7F/Q2J I4A3/4A4
	PCD	palmgreen				(2)	955 521 184 01	cover backrest comfort seat	/R -04	1	IN7F/Q2J I4A3/4A4
(2)	955 521 179 01	cover	/L -04	1	IN1X/Q2J I4A3/4A4						
(2)	955 521 183 01	cover comfort seat backrest	/R -04	1	IN1X/Q2J I4A3/4A4		PBW	sand beige			
	PBW	sand beige					PBX	steel grey			
	PBX	steel grey					PBY	black			
	PBY	black					PBZ	palmgreen			
	PBZ	palmgreen				(2)	955 521 180 06	cover	/L 05	1	IN7F/Q2J I4A3/4A4
(2)	955 521 179 06	cover	/L 05	1	IN1X/Q2J I4A3/4A4	(2)	955 521 184 06	cover backrest comfort seat with heating	/R 05	1	IN7F/Q2J I4A3/4A4
(2)	955 521 183 06	cover backrest comfort seat with heating	/R 05	1	IN1X/Q2J I4A3/4A4		PBW	sand beige			
	PBW	sand beige					PBX	steel grey			
	PBX	steel grey					PBY	black			
	PBY	black					PBZ	palmgreen			
	PBZ	palmgreen				(2)	955 521 180 07	cover	/L 06-	1	IN7F/Q2J I4A3/4A4
(2)	955 521 179 07	cover backrest with heating	/L 06-	1	IN1X/4A3/4A4	(2)	955 521 184 07	cover backrest with heating	/R 06-	1	IN7F/Q2J I4A3/4A4
	PBW	sand beige					PBW	sand beige			
	PBX	steel grey					PBX	steel grey			
	PBY	black					PBY	black			
	PBZ	palmgreen					PBZ	palmgreen			
(2)	955 521 183 07	cover backrest with heating	/R 06-	1	IN1X/4A3/4A4	(2)	955 521 187 01	cover	/L -04	1	IN7D/Q2J I4A3/4A4
	PBW	sand beige				(2)	955 521 185 01	cover backrest comfort seat	/R -04	1	IN7D/Q2J I4A3/4A4
	PBX	steel grey					PCA	sand beige			
	PBY	black					PCB	steel grey			
	PBZ	palmgreen					PCC	black			

Model	Year	MG	SG	Illustration	Restrictions	Update	19:03	16.08.2006	PORSCHE	PET	PORSCHE
9pa	06	8	17	817-10		203					

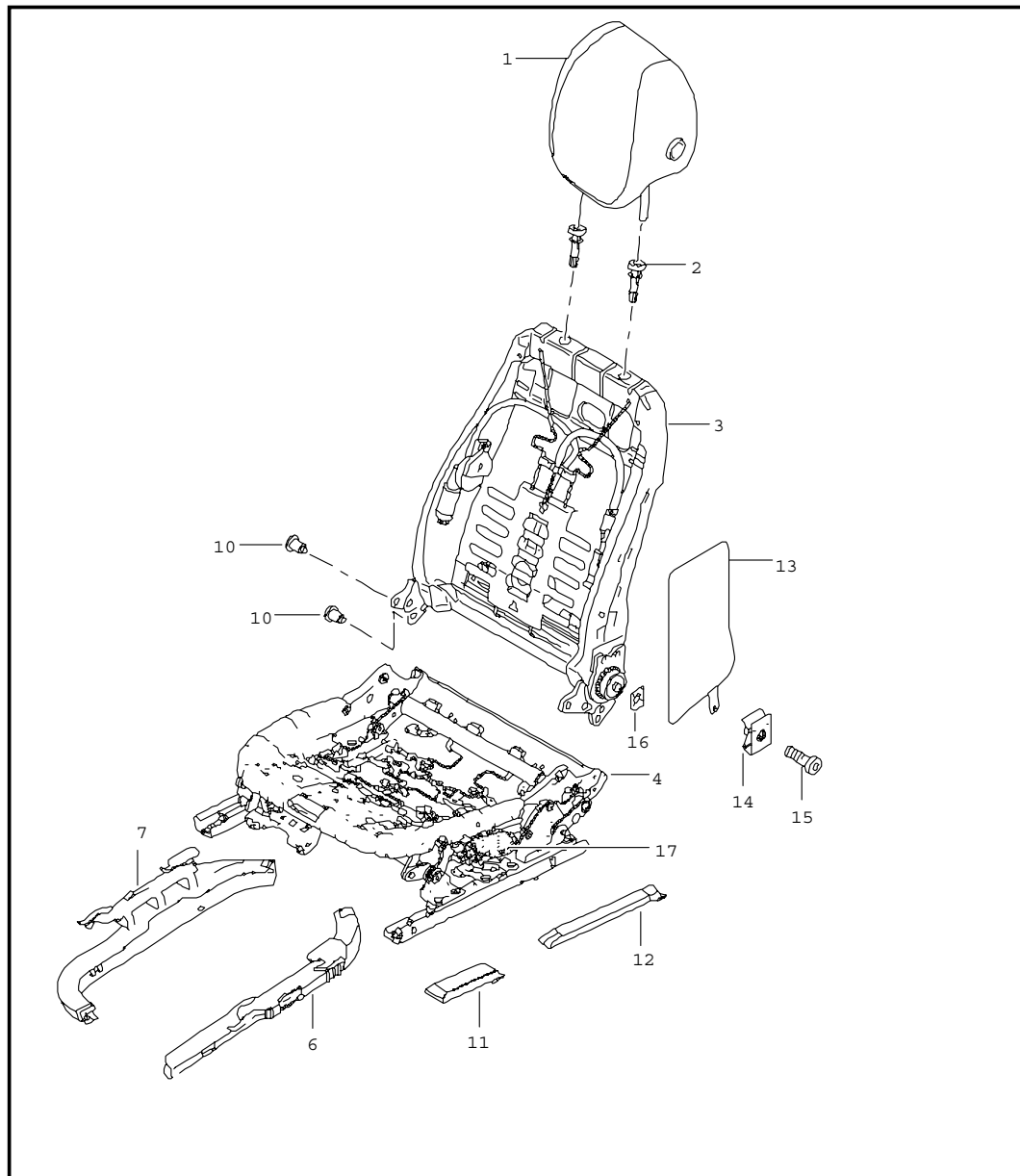
Pos	Part Number	Name	Remarks	Qty	Model	Pos	Part Number	Name	Remarks	Qty	Model
		PCD palmgreen				(4)	955 521 580 00	foam part backrest	/R	1	IQ2J
(2)	955 521 187 06	cover	/L 05	1	IN7D/Q2J I4A3/4A4	5	955 653 521 00	heating element backrest side part front	/L	1	IQ2J/4A3/4A4
(2)	955 521 185 06	cover backrest comfort seat with heating	/R 05	1	IN7D/Q2J I4A3/4A4	(5)	955 653 531 00	heating element backrest side part sports seat		1	
		PCA sand beige				6	955 653 522 00	heating element cushion front	/L	1	IQ2J/4A3/4A4
		PCB steel grey				(6)	955 653 523 00	heating element cushion front	/R	1	IQ2J/4A3/4A4
		PCC black				(6)	955 653 533 00	heating element cushion sports seat	/L	1	
(2)	955 521 187 07	cover	/L 06-	1	IN7D/Q2J I4A3/4A4	(6)	955 653 534 00	heating element cushion sports seat	/R	1	
(2)	955 521 185 07	cover backrest with heating	/R 06-	1	IN7D/Q2J I4A3/4A4						
		PCA sand beige									
		PCB steel grey									
		PCC black									
		PCD palmgreen									
3	955 521 523 01	foam part seat cushion sports seat	/L	1	IQ1D						
(3)	955 521 524 01	foam part seat cushion sports seat	/R	1	IQ1D						
(3)	955 521 527 01	foam part seat cushion	/L	1	IQ2J						
(3)	955 521 528 01	foam part seat cushion	/R	1	IQ2J						
4	955 521 575 02	foam part backrest sports seat	/L	1	IQ1D						
(4)	955 521 576 02	foam part backrest sports seat	/R	1	IQ1D						
(4)	955 521 579 00	foam part backrest	/L	1	IQ2J						
								- - - E N D - - -			

Model	Year	MG	SG	Illustration	Restrictions	Update	19:03	16.08.2006	PORSCHE	PET	PORSCHE
9pa	06	8	17	817-15		203					



Pos	Part Number	Name	Remarks	Qty	Model
		cover backrest shell			CAYENNE
1	955 521 081 01	cover backrest shell	L/R -04	1	IQ2J
	5Q2	black			
	5R3	steel grey			
	5S4	sand beige			
	5Y5	palmgreen			
(1)	955 521 081 02	cover backrest shell	L/R 05-	1	IQ2J
	5Q2	black			
	5R3	steel grey			
	5S4	sand beige			
	5Y5	palmgreen			
(1)	955 521 087 01	cover backrest shell	L/R -04	1	IQ1D
	5Q2	black			
	5R3	steel grey			
	5S4	sand beige			
	5Y5	palmgreen			
(1)	955 521 087 02	cover backrest shell	L/R 05-	1	IQ1D
	5Q2	black			
	5R3	steel grey			
	5S4	sand beige			
	5Y5	palmgreen			
		- - - E N D - - -			

Model	Year	MG	SG	Illustration	Restrictions	Update	19:03	16.08.2006	PORSCHE	PET	PORSCHE
9pa	06	8	17	817-20		203					



Pos	Part Number	Name	Remarks	Qty	Model
		backrest frame seat frame			CAYENNE
1	955 521 815 00	head rest leather/ A08 black T25 sand beige 4Q2 palmgreen 6E1 steel grey	/L -04	1	IN1X/N7F
(1)	955 521 816 00	head rest leather/ A08 black T25 sand beige 4Q2 palmgreen 6E1 steel grey	/R -04	1	IN1X/N7F
(1)	955 521 815 06	head rest SXG black/black SXH steel grey/steel grey SXJ sand beige/sand beige SXX palm-green/palm-green	/L 05-	1	IN1X/N7F/3J4
(1)	955 521 816 06	head rest SXG black/black SXH steel grey/steel grey SXJ sand beige/sand beige SXX palm-green/palm-green	/R 05-	1	IN1X/N7F/3J4
(1)	955 521 819 00	head rest porsche coat of arms SXG black/black SXH steel grey/steel grey SXJ sand beige/sand beige SXX palm-green/palm-green	/L 06-	1	IN1X/N7F/3J7
(1)	955 521 820 00	head rest porsche coat of arms	/R 06-	1	IN1X/N7F/3J7

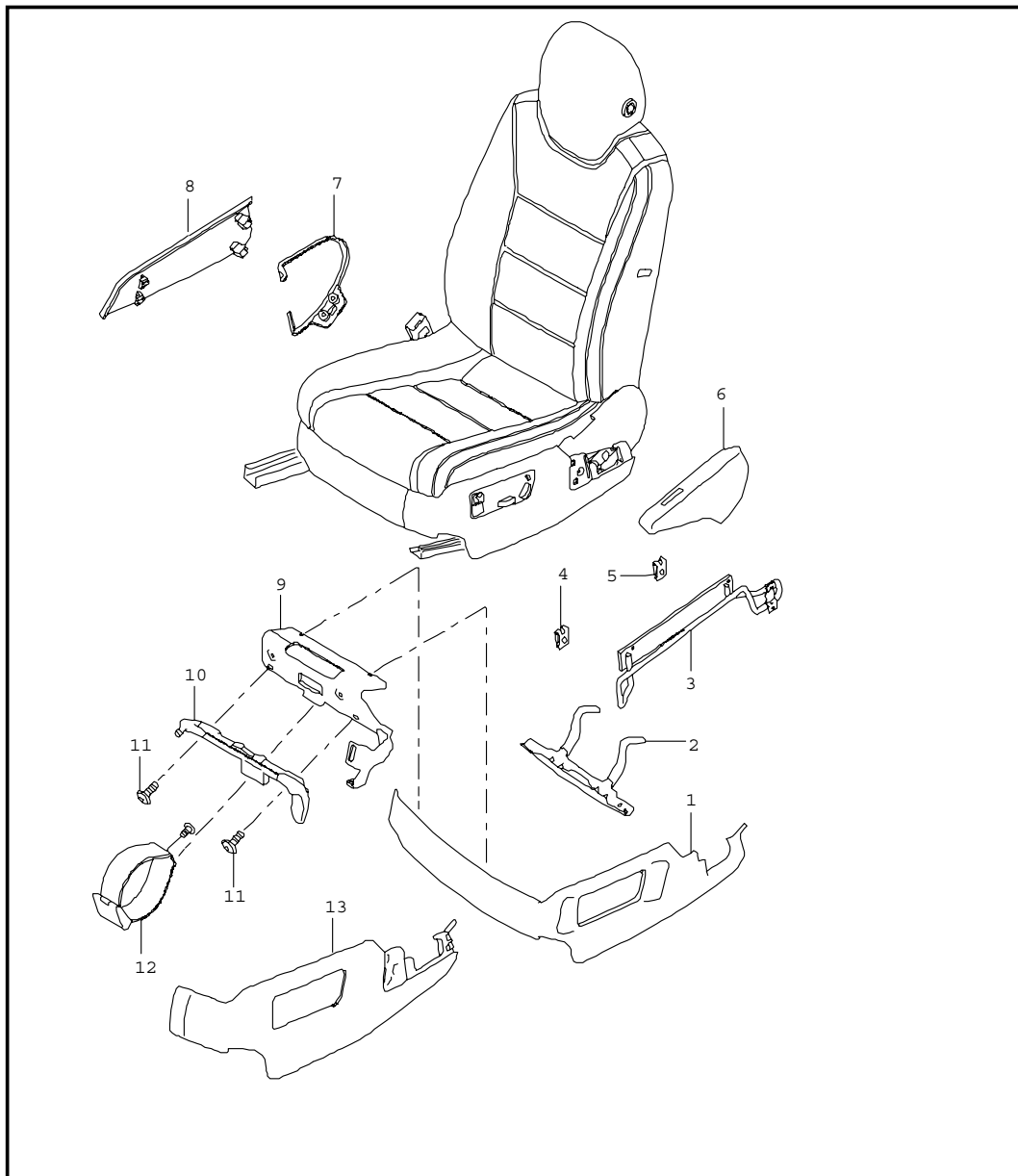
Model	Year	MG	SG	Illustration	Restrictions	Update	19:03	16.08.2006	PORSCHE	PET	PORSCHE
9pa	06	8	17	817-20		203					

Pos	Part Number	Name	Remarks	Qty	Model	Pos	Part Number	Name	Remarks	Qty	Model
	SXG	black/black					SXP	palm-green/palm-green			
	SXH	steel grey/steel grey				(1)	955 521 822 00	head rest porsche coat of arms	/R 06-	1	IN5U/N7D/3J7
	SXJ	sand beige/sand beige					SXL	black/black			
	SXK	palm-green/palm-green					SXM	steel grey/steel grey			
(1)	955 521 817 00	head rest leather	/L -04	1	IN5U/N7D		SXN	sand beige/sand beige			
	4P1	palmgreen					SXP	palm-green/palm-green			
	6B7	steel grey				2	955 521 825 00	guide sleeve head rest adjusting lever		1	
	8G1	sand beige					01C	satin black			
	8YR	black					6C6	sand beige			
(1)	955 521 818 00	head rest leather	/R -04	1	IN5U/N7D		6H8	palmgreen			
	4P1	palmgreen					7A8	steel grey			
	6B7	steel grey				(2)	955 521 826 00	guide sleeve		1	
	8G1	sand beige					01C	satin black			
	8YR	black					6C6	sand beige			
(1)	955 521 817 06	head rest	/L 05-	1	IN5U/N7D/3J4		6H8	palmgreen			
	SXL	black/black					7A8	steel grey			
	SXM	steel grey/steel grey				3	955 521 835 01	backrest frame electric	/L	1	I3L5
	SXN	sand beige/sand beige				(3)	955 521 835 01	backrest frame electric	/L	1	I3L4/L0R
	SXP	palm-green/palm-green				(3)	955 521 836 01	backrest frame electric	/R	1	I3L5
(1)	955 521 818 06	head rest	/R 05-	1	IN5U/N7D/3J4	(3)	955 521 836 01	backrest frame electric	/R	1	I3L4/L0L
	SXL	black/black				(3)	955 521 841 01	backrest frame electric	/L	1	I3PN
	SXM	steel grey/steel grey				(3)	955 521 841 01	backrest frame electric	/L	1	I3L4/L0L
	SXN	sand beige/sand beige				(3)	955 521 842 01	backrest frame electric	/R	1	I3PN
	SXP	palm-green/palm-green				(3)	955 521 842 01	backrest frame electric	/R	1	I3L4/L0R
(1)	955 521 821 00	head rest porsche coat of arms	/L 06-	1	IN5U/N7D/3J7						
	SXL	black/black									
	SXM	steel grey/steel grey									
	SXN	sand beige/sand beige									

Model	Year	MG	SG	Illustration	Restrictions	Update	19:03	16.08.2006	PORSCHE	PET	PORSCHE
9pa	06	8	17	817-20		203					

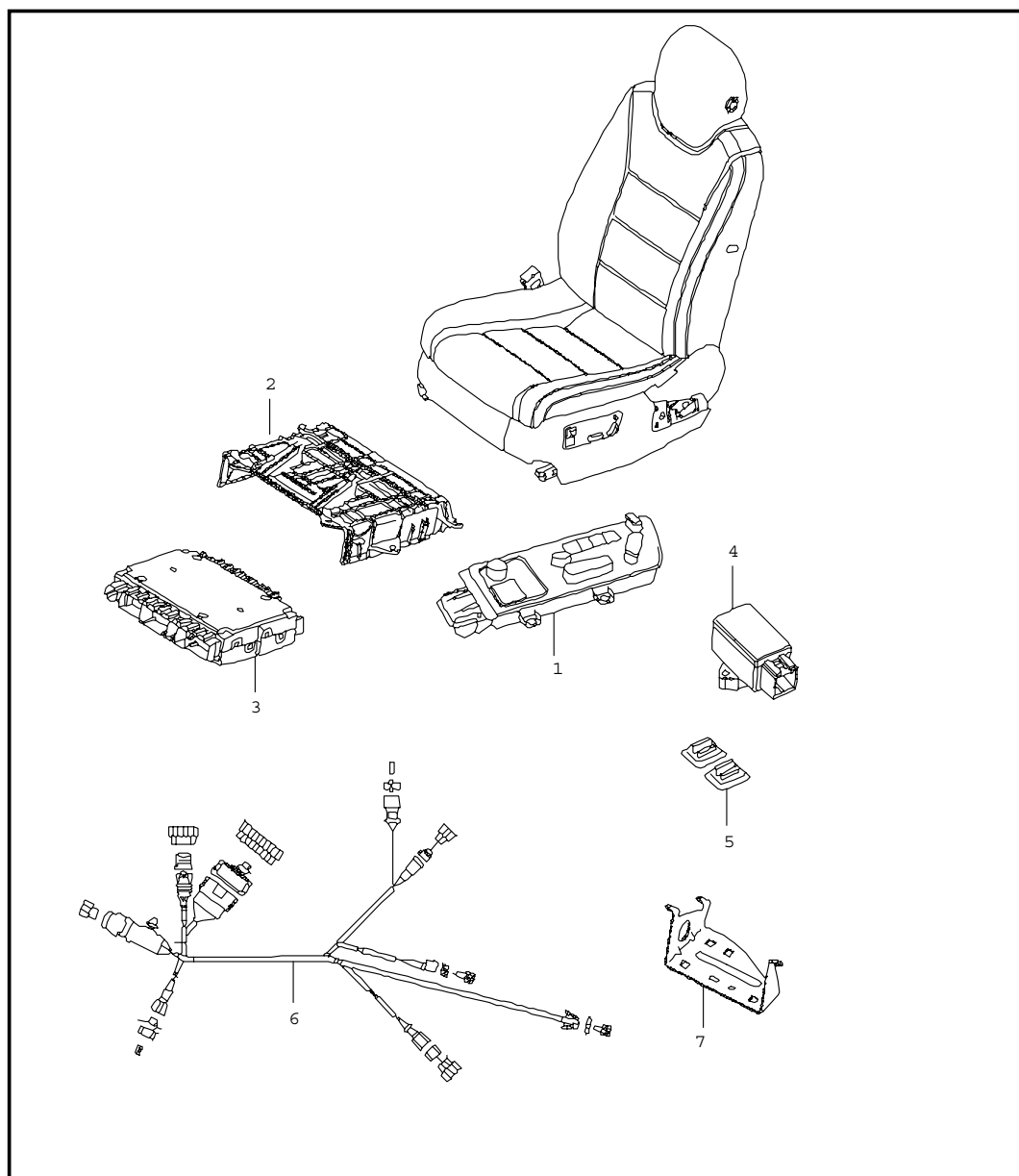
Pos	Part Number	Name	Remarks	Qty	Model	Pos	Part Number	Name	Remarks	Qty	Model
4	955 521 851 05	seat frame	/L	1	I3PN	12	955 521 889 01	cover spiral seat adjuster long	/L/R	1	I3L4/3L5/3PN
4	955 521 851 05	seat frame electric memory switch	/L	1	I3L4/L0L						
(4)	955 521 852 05	seat frame electric memory switch	/R	1	I3PN/4UB/4UD I4UE/4UQ		01C	satin black			
(4)	955 521 852 05	seat frame electric memory switch	/R	1	IL0R/3L4		6C6	sand beige			
(4)	955 521 852 05	seat frame electric memory switch	/R	1	IL0R/3L4		6H8	palmgreen			
(4)	955 521 852 05	seat frame electric memory switch	/R	1	IL0R/3L4		7A8	steel grey			
(4)	955 521 853 05	seat frame	/L	1	I3L5	13	955 521 901 04	side airbag driver's side	/L	1	
(4)	955 521 853 05	seat frame electric	/L	1	I3L4/L0R	(13)	955 521 902 04	side airbag passenger's side	/R	1	I4UB/4UD/4UE I4UQ
(4)	955 521 854 05	seat frame electric	/R	1	I3L5/4UB I4UD/4UE	(13) N	955 521 903 00	side airbag passenger's side	/R	1	I4UJ
6	955 521 911 00	cable guide	/L	1		14	N 903 682 01	speed nut mount airbag		1	
7	955 521 913 01	cable guide	/R	1							
10	N 910 146 01	fit bolt mount backrest M 12X1.25		4		15	N 102 913 01	pan-head screw mount airbag		1	
11	955 521 887 04	cover spiral seat adjuster	/L	1	I3L4/3L5/3PN	16	955 521 860 00	clip securing clip backrest		2	
		01C satin black				17	955 624 322 00	electric motor seat adjuster height adjustment	/R	1	
		6C6 sand beige				(17)	955 624 321 00	electric motor seat adjuster height adjustment	/L	1	
		6H8 palmgreen				(17)	955 624 324 00	electric motor seat adjuster tilt	/R	1	
		7A8 steel grey				(17)	955 624 323 00	electric motor seat adjuster tilt	/L	1	
(11)	955 521 888 03	cover spiral seat adjuster	/R	1	I3L4/3L5/3PN						
		01C satin black									
		6C6 sand beige									
		6H8 palmgreen									
		7A8 steel grey									
- - - E N D - - -											

Model	Year	MG	SG	Illustration	Restrictions	Update	19:04	16.08.2006	PORSCHE	PET	PORSCHE
9pa	06	8	17	817-25		203					



Pos	Part Number	Name	Remarks	Qty	Model
		seat adjuster cover accessories		1	CAYENNE
1	955 521 317 00	cover driver's side	/L -04	1	I3L4/3L5/3PN
	01C	satin black			
	6C6	sand beige			
	6H8	palmgreen			
	7A8	steel grey			
(1)	955 521 317 02	cover driver's side	/L 05-	1	I3L4/3L5/3PN I6A0/6A4/6A5
	01C	satin black			
	6C6	sand beige			
	6H8	palmgreen			
	7A8	steel grey			
(1)	955 521 318 02	cover passenger's side	/R	1	I3L4/3L5/3PN
	01C	satin black			
	6C6	sand beige			
	6H8	palmgreen			
	7A8	steel grey			
2	955 521 225 00	support cover		2	
-	N 906 432 01	blind rivet support		4	
3	955 521 327 01	support cover lateral	/L	1	I3L4/3L5/3PN
(3)	955 521 328 01	support cover lateral	/R	1	I3L4/3L5/3PN
4	N 903 682 01	speed nut M 5		1	
5	N 910 558 01	speed nut M 5		3	

Model	Year	MG	SG	Illustration	Restrictions	Update	19:04	16.08.2006	PORSCHE	PET	PORSCHE
9pa	06	8	17	817-30		203					

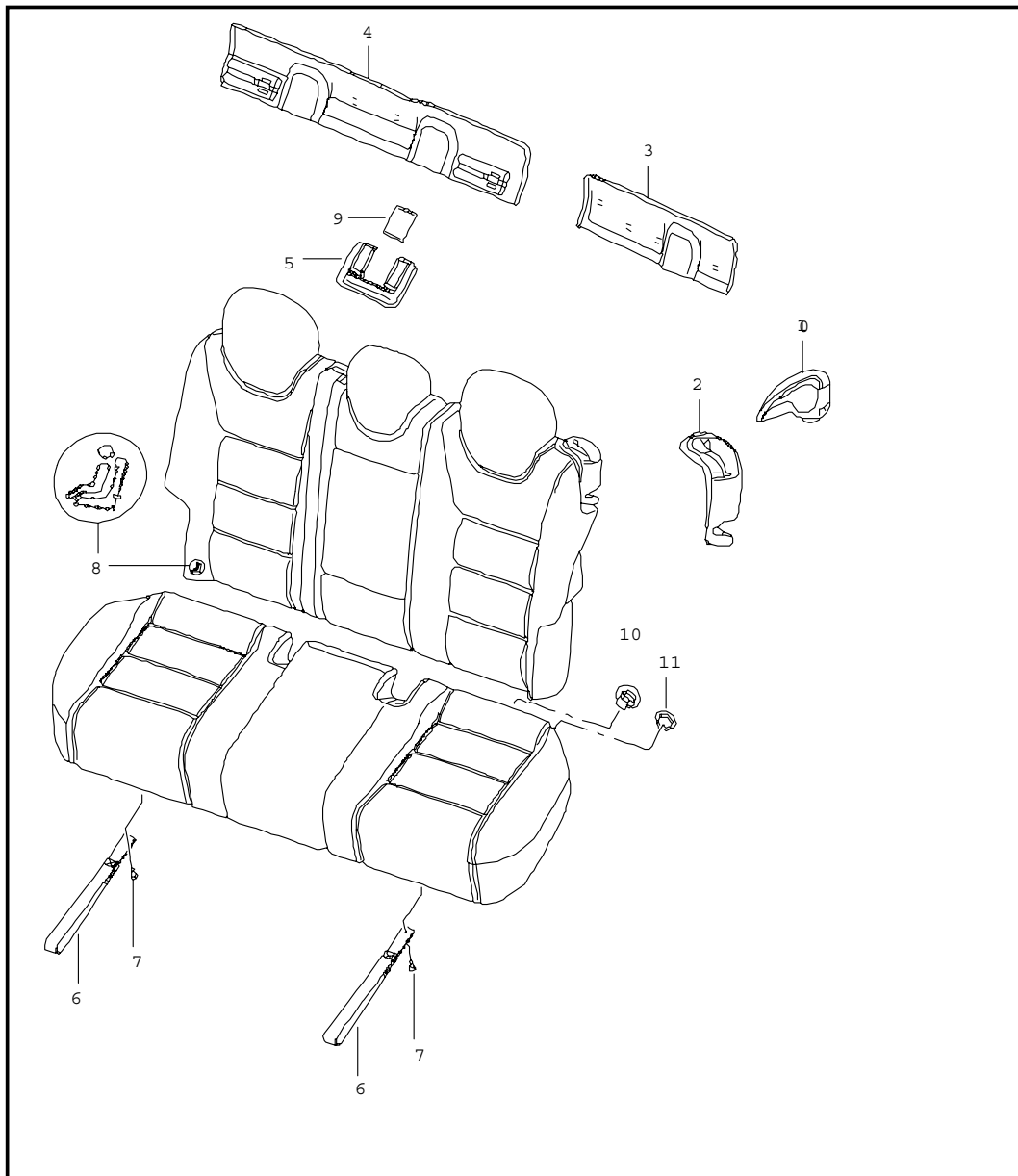


Pos	Part Number	Name	Remarks	Qty	Model
		switch seat adjuster harnesses			CAYENNE
1	955 613 713 00	switch seat adjuster	/L /RL/L	1	I3L5 I3L4
	01C	satin black			
(1)	955 613 714 00	switch seat adjuster	/R /LL/R	1	I3L5 I3L4
	01C	satin black			
(1)	955 613 715 00	switch seat adjuster memory switch	/L	1	I3PN
	01C	satin black			
(1)	955 613 716 00	switch seat adjuster memory switch	/R	1	I3PN
	01C	satin black			
(1)	955 613 717 00	switch seat adjuster	/LL/L	1	I3L4
	01C	satin black			
(1)	955 613 718 00	switch seat adjuster	/RL/R	1	I3L4
	01C	satin black			
2	955 521 730 00	support control unit seating position control		1	I3L4/3PN
3	955 618 740 00	control unit seating position control		2	I3L4/3PN
(3)	955 618 750 02	control unit seat occupancy detection right	06-	1	I4UQ
4	955 618 742 01	control unit heating		1	I4A4
5	955 618 735 00	adapter plug control unit heating	/RL	1	IG0L

Model	Year	MG	SG	Illustration	Restrictions	Update	19:04	16.08.2006	PORSCHE	PET	PORSCHE
9pa	06	8	17	817-30		203					

Pos	Part Number	Name	Remarks	Qty	Model	Pos	Part Number	Name	Remarks	Qty	Model
(6)	955 612 754 03	wiring harness seat without heating left	/LL	1	IL0L/4A0 I3PN/3L4	(6)	955 612 773 01	wiring harness seat with heating left	/RL	1	I3PN
(6)	955 612 755 03	wiring harness seat with heating left	/LL	1	IL0L/3PN/3L4 I4A4/4A3	(6)	955 612 772 01	wiring harness seat with heating right		1	I3L4/3PN/4A3 I4A4/L0R
(6)	955 612 756 00	wiring harness seat backrest right	/LL	1	I3PN	(6)	955 612 774 01	wiring harness seat without heating right	/RL	1	IL0R/3L4/3PN I4A0
(6)	955 612 757 02	wiring harness seat without heating right	/LL	1	IL0L/3PN/4A0	(6)	955 612 768 00	wiring harness seat backrest right		1	I3L5/4UB/4UD I4UE
(6)	955 612 758 02	wiring harness seat with heating right	/LL	1	I3PN/L0L I4A3/4A4	(6)	955 612 779 00	wiring harness seat occupancy detection	06-	1	IL0L/4UQ
(6) A	955 612 761 01	wiring harness seat with heating	-05	1	I3L4/4A3/4A4 IL0R	(6)	955 612 762 00	wiring harness side airbag adapter plug	/R	1	
(6)	955 612 761 02	wiring harness seat with heating left	05-	1	I3L4/3L5 I4A3/4A4/L0R	(6)	955 612 765 00	wiring harness side airbag adapter plug	/L	1	
(6)	955 612 763 02	wiring harness seat without heating left		1	I3L4/4A0/3L5	(6) N	955 612 767 00	wiring harness side airbag adapter plug		1	IL0L/4UJ
(6)	955 612 764 02	wiring harness seat with heating right	/LL	1	I3L4/3L5 I4A3/4A4	7	955 521 665 04	retaining bracket push-on connector electric	/L	1	I3L4/3L5/3PN
(6)	955 612 766 01	wiring harness seat without heating right	-05	1	IL0L/3L4 I4A0/3L5	(7)	955 521 668 04	retaining bracket push-on connector electric	/R	1	I3L4/3L5/3PN
(6)	955 612 766 02	wiring harness seat without heating right	05-	1	IL0L/3L4 I3L5/4A0	8	955 613 713 10	knob adjustment lumbar		1	
(6)	955 612 771 01	wiring harness seat without heating left		1	IL0R/3PN/4A0		01C	satin black			
						9	955 521 731 00	cover control unit seat occupancy detection		1	I4UQ
								- - - E N D - - -			

Model	Year	MG	SG	Illustration	Restrictions	Update	19:04	16.08.2006	PORSCHE	PET	PORSCHE
9pa	06	8	17	817-35		203					



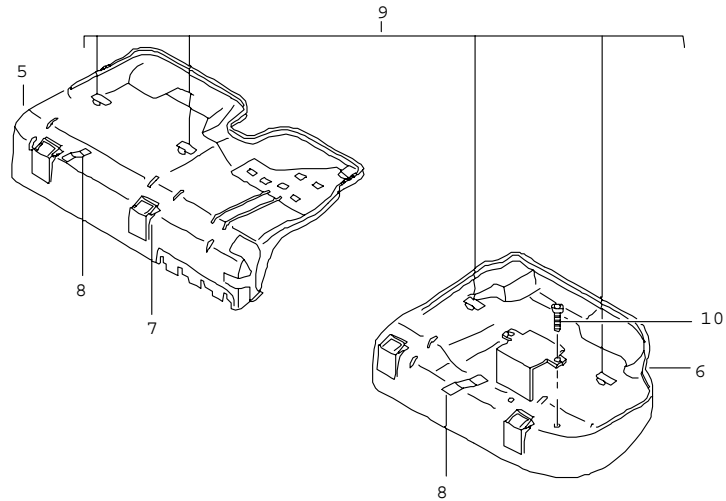
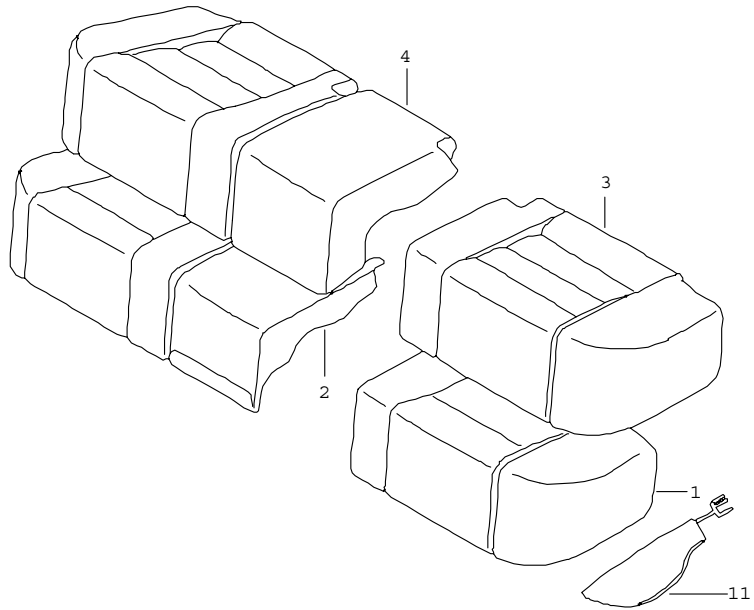
Pos	Part Number	Name	Remarks	Qty	Model
		back seat backrest cover			CAYENNE
1	955 522 651 00	actuating lever backrest	/L	1	
	01C	satin black			
	6C6	sand beige			
	6H8	palmgreen			
	7A8	steel grey			
(1)	955 522 652 00	actuating lever backrest	/R	1	
	01C	satin black			
	6C6	sand beige			
	6H8	palmgreen			
	7A8	steel grey			
2	955 522 673 00	cover actuating lever	/L	1	
	01C	satin black			
	6C6	sand beige			
	6H8	palmgreen			
	7A8	steel grey			
(2)	955 522 672 00	cover actuating lever	/R	1	
	01C	satin black			
	6C6	sand beige			
	6H8	palmgreen			
	7A8	steel grey			
3	955 522 681 00	cover upper part backrest short		1	
	01C	satin black			
	6C6	sand beige			
	6H8	palmgreen			

Model	Year	MG	SG	Illustration	Restrictions	Update	19:04	16.08.2006	PORSCHE	PET	PORSCHE
9pa	06	8	17	817-35		203					

Pos	Part Number	Name	Remarks	Qty	Model	Pos	Part Number	Name	Remarks	Qty	Model
	7A8	steel grey				9	955 522 660 00	cover catch seat belt		1	
4	955 522 680 00	cover upper part backrest long		1			01C	satin black			
	01C	satin black					6C6	sand beige			
	6C6	sand beige					6H8	palmgreen			
	6H8	palmgreen					7A8	steel grey			
	7A8	steel grey				10	955 522 697 01	flat connector upper part mounting head rest		1	IQA0
5	955 522 661 00	cover frame seat belt backrest		1			B41	black			
	01C	satin black				11	955 522 698 01	circlip lower part mounting head rest black		1	IQA0
	6C6	sand beige									
	6H8	palmgreen				12	955 522 670 00	trim release		1	
	7A8	steel grey									
6	955 522 690 02	loop back seat cushion		2		13	955 522 670 06	fixing clip release		1	
	A08	black				14	955 522 670 04	pull-type release seat cushion		1	
	T25	sand beige									
	4Q2	palmgreen									
	6E1	steel grey									
7	N 902 876 01	blind rivet 4,8 X 10 mount loop		2							
8	955 522 694 01	button upper part		4							
	5J6	crystal grey									
	71N	anthracite									
(8)	955 522 695 00	button lower part		4							
	5J6	crystal grey									
	71N	anthracite									

- - - E N D - - -

Model	Year	MG	SG	Illustration	Restrictions	Update	19:04	16.08.2006	PORSCHE	PET	PORSCHE
9pa	06	8	17	817-40		203					



Pos	Part Number	Name	Remarks	Qty	Model
		cover seat surface foam part			CAYENNE
1	955 522 055 01	foam part seat cushion	/L	1	IQ1D
(1)	955 522 161 01	foam part seat cushion	/L	1	IQ2J
2	955 522 040 01	foam part seat cushion	/R	1	IQ1D/9AB/9AD
(2)	955 522 042 01	foam part seat cushion		1	IQ1D/9AH
(2)	955 522 160 01	foam part seat cushion		1	IQ2J/9AB/9AD
(2)	955 522 162 01	foam part seat cushion		1	IQ2J/9AH
3	955 522 301 01	cover seat cushion leather embossed	-04	1	IQ2J/4A4/N1X
		PBW sand beige			
		PBX steel grey			
		PBY black			
		PBZ palmgreen			
(3)	955 522 301 05	cover for cushion with heating	/L 05	1	IN1X/Q2J/4A4
		PBW sand beige			
		PBX steel grey			
		PBY black			
		PBZ palmgreen			
(3)	955 522 301 07	cover for cushion with heating	/L 06-	1	IN1X/Q2J/4A4
		PBW sand beige			
		PBX steel grey			
		PBY black			
		PBZ palmgreen			

Model	Year	MG	SG	Illustration	Restrictions	Update	19:04	16.08.2006	PORSCHE	PET	PORSCHE
9pa	06	8	17	817-40		203					

Pos	Part Number	Name	Remarks	Qty	Model	Pos	Part Number	Name	Remarks	Qty	Model
(3)	955 522 303 00	cover seat cushion draped leather embossed	-04	1	IQ2J/N7F I4A3/4A4	(3)	955 522 305 07	cover for cushion with heating	/L 06-	1	IN7F/Q2J/4A4
	PBW	sand beige					PBW	sand beige			
	PBX	steel grey					PBX	steel grey			
	PBY	black					PBY	black			
	PBZ	palmgreen					PBZ	palmgreen			
(3)	955 522 303 05	cover for cushion without heating	/L 05	1	IN7F/Q2J I4A0/4A3	(3)	955 522 307 01	cover seat cushion plain leather	-04	1	IQ1D/4A4/N5U
	PBW	sand beige					PCA	sand beige			
	PBX	steel grey					PCB	steel grey			
	PBY	black					PCC	black			
	PBZ	palmgreen					PCD	palmgreen			
(3)	955 522 303 07	cover for cushion without heating	/L 06-	1	IN7F/Q2J/ I4A0/4A3	(3)	955 522 307 05	cover for cushion with heating sports seat	/L 05	1	IQ1D/N5U/4A4
	PBW	sand beige					PCA	sand beige			
	PBX	steel grey					PCB	steel grey			
	PBY	black					PCC	black			
	PBZ	palmgreen					PCD	palmgreen			
(3)	955 522 305 01	cover seat cushion draped leather embossed	-04	1	IQ2J/4A4/N7F	(3)	955 522 307 07	cover for cushion sports seat with heating	/L 06-	1	IQ1D/N5U/4A4
	PBW	sand beige					PCA	sand beige			
	PBX	steel grey					PCB	steel grey			
	PBY	black					PCC	black			
	PBZ	palmgreen					PCD	palmgreen			
(3)	955 522 305 05	cover for cushion with heating	/L 05	1	IN7F/Q2J/4A4	(3)	955 522 309 01	cover seat cushion plain leather	-04	1	IQ2J/4A4/N5U
	PBW	sand beige					PCA	sand beige			
	PBX	steel grey					PCB	steel grey			
	PBY	black					PCC	black			
	PBZ	palmgreen					PCD	palmgreen			

Model	Year	MG	SG	Illustration	Restrictions	Update	19:04	16.08.2006	PORSCHE	PET	PORSCHE
9pa	06	8	17	817-40		203					

Pos	Part Number	Name	Remarks	Qty	Model	Pos	Part Number	Name	Remarks	Qty	Model
(3)	955 522 309 05	cover for cushion with heating	/L 05	1	IN5U/Q2J/4A4	(3)	955 522 313 01	cover seat cushion draped leather	-04	1	IQ2J/4A4/N7D
	PCA	sand beige					PCA	sand beige			
	PCB	steel grey					PCB	steel grey			
	PCC	black					PCC	black			
	PCD	palmgreen					PCD	palmgreen			
(3)	955 522 309 07	cover for cushion with heating	/L 06-	1	IN5U/Q2J/4A4	(3)	955 522 313 05	cover for cushion with heating	/L 05	1	IN7D/Q2J/4A4
	PCA	sand beige					PCA	sand beige			
	PCB	steel grey					PCB	steel grey			
	PCC	black					PCC	black			
	PCD	palmgreen					PCD	palmgreen			
(3)	955 522 311 00	cover seat cushion draped leather	-04	1	IN7D/Q2J I4A0/4A3	(3)	955 522 313 07	cover for cushion with heating	/L 06-	1	IN7D/Q2J/4A4
	PCA	sand beige					PCA	sand beige			
	PCB	steel grey					PCB	steel grey			
	PCC	black					PCC	black			
	PCD	palmgreen					PCD	palmgreen			
(3)	955 522 311 05	cover for cushion without heating	/L 05	1	IN7D/Q2J I4A0/4A3	(3)	955 522 315 00	cover seat cushion plain leather	/L -04	1	IN5U/Q2J I4A0/4A3
	PCA	sand beige					PCA	sand beige			
	PCB	steel grey					PCB	steel grey			
	PCC	black					PCC	black			
	PCD	palmgreen					PCD	palmgreen			
(3)	955 522 311 07	cover for cushion without heating	/L 06-	1	IN7D/Q2J I4A0/4A3	(3)	955 522 315 05	cover for cushion without heating	/L 05	1	IN5U/Q2J I4A0/4A3
	PCA	sand beige					PCA	sand beige			
	PCB	steel grey					PCB	steel grey			
	PCC	black					PCC	black			
	PCD	palmgreen					PCD	palmgreen			

Model	Year	MG	SG	Illustration	Restrictions	Update	19:04	16.08.2006	PORSCHE	PET	PORSCHE
9pa	06	8	17	817-40		203					

Pos	Part Number	Name	Remarks	Qty	Model	Pos	Part Number	Name	Remarks	Qty	Model
(3)	955 522 315 07	cover for cushion without heating	/L 06-	1	IN5U/Q2J I4A0/4A3	(3)	955 522 319 05	cover for cushion sports seat without heating	/L 05	1	IN5U/Q1D I4A0/4A3
	PCA	sand beige					PCA	sand beige			
	PCB	steel grey					PCB	steel grey			
	PCC	black					PCC	black			
	PCD	palmgreen					PCD	palmgreen			
(3)	955 522 317 00	cover seat cushion leather embossed	-04	1	IQ2J/N1X I4A0/4A3	(3)	955 522 319 07	cover for cushion sports seat without heating	/L 06-	1	IN5U/Q1D I4A0/4A3
	PBW	sand beige					PCA	sand beige			
	PBX	steel grey					PCB	steel grey			
	PBY	black					PCC	black			
	PBZ	palmgreen					PCD	palmgreen			
(3)	955 522 317 05	cover for cushion without heating	/L 05	1	IN1X/Q2J I4A0/4A3	4	955 522 300 01	cover seat cushion leather embossed	-04	1	IN1X/Q2J/4A4 I9AB/9AD
	PBW	sand beige					PBW	sand beige			
	PBX	steel grey					PBX	steel grey			
	PBY	black					PBY	black			
	PBZ	palmgreen					PBZ	palmgreen			
(3)	955 522 317 07	cover for cushion without heating	/L 06-	1	IN1X/Q2J I4A0/4A3	(4)	955 522 300 05	cover for cushion with heating	/R 05	1	IN1X/Q2J/4A4 I9AB/9AD
	PBW	sand beige					PBW	sand beige			
	PBX	steel grey					PBX	steel grey			
	PBY	black					PBY	black			
	PBZ	palmgreen					PBZ	palmgreen			
(3)	955 522 319 00	cover seat cushion plain leather	-04	1	IN5U/Q1D/ I4A0/4A3	(4)	955 522 300 06	cover for cushion with heating	/R 06-	1	INIX/Q2J/4A4 I9AB/9AD
	PCA	sand beige					PBW	sand beige			
	PCB	steel grey					PBX	steel grey			
	PCC	black					PBY	black			
	PCD	palmgreen					PBZ	palmgreen			

Model	Year	MG	SG	Illustration	Restrictions	Update	19:04	16.08.2006	PORSCHE	PET	PORSCHE
9pa	06	8	17	817-40		203					

Pos	Part Number	Name	Remarks	Qty	Model	Pos	Part Number	Name	Remarks	Qty	Model
(4)	955 522 302 00	cover seat cushion leather embossed	-04	1	IN1X/Q2J/9AH I4A0/4A3	(4)	955 522 304 06	cover for cushion with heating	/R 06-	1	IN1X/Q2J I4A4/9AH
	PBW	sand beige					PBW	sand beige			
	PBX	steel grey					PBX	steel grey			
	PBY	black					PBY	black			
	PBZ	palmgreen					PBZ	palmgreen			
(4)	955 522 302 05	cover for cushion without heating	/R 05	1	IQ2J/N1X/4A0 I4A3/9AH	(4)	955 522 306 00	cover seat cushion draped leather embossed	-04	1	IQ2J/4A3/4A0 I9AB/9AD/N7F
	PBW	sand beige					PBW	sand beige			
	PBX	steel grey					PBX	steel grey			
	PBY	black					PBY	black			
	PBZ	palmgreen					PBZ	palmgreen			
(4)	955 522 302 06	cover for cushion without heating	/R 06-	1	IQ2J/NIX/4A0 I4A3/9AH	(4)	955 522 306 05	cover for cushion without heating	/R 05	1	IN7F/Q2J/4A0 I4A3/9AB/9AD
	PBW	sand beige					PBW	sand beige			
	PBX	steel grey					PBX	steel grey			
	PBY	black					PBY	black			
	PBZ	palmgreen					PBZ	palmgreen			
(4)	955 522 304 01	cover seat cushion leather embossed	-04	1	IN1X/4A4 IQ2J/9AH	(4)	955 522 306 06	cover for cushion without heating	/R 06-	1	IN7F/Q2J/4A0 I4A3/9AB/9AD
	PBW	sand beige					PBW	sand beige			
	PBX	steel grey					PBX	steel grey			
	PBY	black					PBY	black			
	PBZ	palmgreen					PBZ	palmgreen			
(4)	955 522 304 05	cover for cushion with heating	/R 05	1	IN1X/Q2J I4A4/9AH	(4)	955 522 308 01	cover seat cushion draped leather embossed	-04	1	IN7F/Q2J/4A4 I9AB/9AD
	PBW	sand beige					PBW	sand beige			
	PBX	steel grey					PBX	steel grey			
	PBY	black					PBY	black			
	PBZ	palmgreen					PBZ	palmgreen			

Model	Year	MG	SG	Illustration	Restrictions	Update	19:04	16.08.2006	PORSCHE	PET	PORSCHE
9pa	06	8	17	817-40		203					

Pos	Part Number	Name	Remarks	Qty	Model	Pos	Part Number	Name	Remarks	Qty	Model
(4)	955 522 308 05	cover for cushion with heating	/R 05	1	IN7F/Q2J/4A4 I9AB/9AD	(4)	955 522 312 01	cover seat cushion draped leather embossed	-04	1	IN7F/Q2J I4A4/9AH
	PBW	sand beige					PBW	sand beige			
	PBX	steel grey					PBX	steel grey			
	PBY	black					PBY	black			
	PBZ	palmgreen					PBZ	palmgreen			
(4)	955 522 308 06	cover for cushion with heating	/R 06-	1	IN7F/Q2J/4A4 I9AB/9AD	(4)	955 522 312 05	cover for cushion with heating	/R 05	1	IN7F/Q2J I4A4/9AH
	PBW	sand beige					PBW	sand beige			
	PBX	steel grey					PBX	steel grey			
	PBY	black					PBY	black			
	PBZ	palmgreen					PBZ	palmgreen			
(4)	955 522 310 00	cover seat cushion draped leather embossed	-04	1	IN7F/Q2J/9AH I4A0/4A3	(4)	955 522 312 06	cover for cushion with heating	/R 06-	1	IN7F/Q2J I4A4/9AH
	PBW	sand beige					PBW	sand beige			
	PBX	steel grey					PBX	steel grey			
	PBY	black					PBY	black			
	PBZ	palmgreen					PBZ	palmgreen			
(4)	955 522 310 05	cover for cushion without heating	/R 05	1	IN7F/Q2J/9AH I4A0/4A3	(4)	955 522 314 01	cover seat cushion plain leather	-04	1	IN5U/Q1D/4A4 I9AB/9AD
	PBW	sand beige					PCA	sand beige			
	PBX	steel grey					PCB	steel grey			
	PBY	black					PCC	black			
	PBZ	palmgreen					PCD	palmgreen			
(4)	955 522 310 06	cover for cushion without heating	/R 06-	1	IN7F/Q2J/4A0 I4A3/9AH	(4)	955 522 314 05	cover for cushion with heating sports seat	/R 05	1	IN5U/Q1D/4A4 I9AB/9AD
	PBW	sand beige					PCA	sand beige			
	PBX	steel grey					PCB	steel grey			
	PBY	black					PCC	black			
	PBZ	palmgreen					PCD	palmgreen			

Model	Year	MG	SG	Illustration	Restrictions	Update	19:04	16.08.2006	PORSCHE	PET	PORSCHE
9pa	06	8	17	817-40		203					

Pos	Part Number	Name	Remarks	Qty	Model	Pos	Part Number	Name	Remarks	Qty	Model
(4)	955 522 314 06	cover for cushion with heating sports seat	/R 06-	1	IN5U/Q1D/4A4 9AB/9AD		PCD	palmgreen			
	PCA	sand beige				(4)	955 522 336 06	cover for cushion sports seat without heating	/R 06-	1	IQ1D/N5U/4A0 I4A3/9AH
	PCB	steel grey					PCA	sand beige			
	PCC	black					PCB	steel grey			
	PCD	palmgreen					PCC	black			
(4)	955 522 316 01	cover seat cushion plain leather	-04	1	IN5U/Q1D I9AH/4A4		PCD	palmgreen			
	PCA	sand beige				(4)	955 522 338 05	cover for cushion sports seat without heating	/R 05	1	IQ1D/N5U/4A0 I4A3/9AB/9AD
	PCB	steel grey					PCA	sand beige			
	PCC	black					PCB	steel grey			
	PCD	palmgreen					PCC	black			
(4)	955 522 316 05	cover for cushion with heating sports seat	/R 05	1	IN5U/Q1D I4A4/9AH		PCD	palmgreen			
	PCA	sand beige				(4)	955 522 338 06	cover for cushion sports seat without heating	/R 06-	1	IQ1D/N5U/4A0 I4A3/9AB/9AD
	PCB	steel grey					PCA	sand beige			
	PCC	black					PCB	steel grey			
	PCD	palmgreen					PCC	black			
(4)	955 522 316 06	cover for cushion with heating sports seat	/R 06-	1	IN5U/Q1D I4A4/9AH		PCD	palmgreen			
	PCA	sand beige				(4)	955 522 318 01	cover seat cushion plain leather	-04	1	IN5U/Q2J/4A4 I9AB/9AD
	PCB	steel grey					PCA	sand beige			
	PCC	black					PCB	steel grey			
	PCD	palmgreen					PCC	black			
(4)	955 522 336 05	cover for cushion sports seat without heating	/R 05	1	IQ1D/N5U/4A0 I4A3/9AH		PCD	palmgreen			
	PCA	sand beige				(4)	955 522 318 05	cover for cushion with heating	05	1	IN5U/Q2J/4A4 I9AB/9AD
	PCB	steel grey					PCA	sand beige			
	PCC	black					PCB	steel grey			
							PCC	black			

Model	Year	MG	SG	Illustration	Restrictions	Update	19:04	16.08.2006	PORSCHE	PET	PORSCHE
9pa	06	8	17	817-40		203					

Pos	Part Number	Name	Remarks	Qty	Model	Pos	Part Number	Name	Remarks	Qty	Model
(4)	955 522 318 06	cover for cushion with heating	/R 06-	1	IN5U/Q2J/4A4 I9AB/9AD	(4)	955 522 322 05	cover for cushion with heating	/R 05	1	IQ2J/N5U/I4A4/9AH
	PCD	palmgreen					PCA	sand beige			
	PCA	sand beige					PCB	steel grey			
	PCB	steel grey					PCC	black			
	PCC	black					PCD	palmgreen			
(4)	955 522 320 00	cover seat cushion plain leather	-04	1	IN5U/Q2J/9AH I4A0/4A3	(4)	955 522 322 06	cover for cushion with heating	/R 06-	1	IQ2J/N5U/I4A4/9AH
	PCD	palmgreen					PCA	sand beige			
	PCA	sand beige					PCB	steel grey			
	PCB	steel grey					PCC	black			
	PCC	black					PCD	palmgreen			
(4)	955 522 320 05	cover for cushion without heating	/R 05	1	IQ2J/N5U/4A0 I4A3/9AH	(4)	955 522 324 00	cover seat cushion draped leather	-04	1	IN7D/4A3/4A0 I9AB/9AD/Q2J
	PCD	palmgreen					PCA	sand beige			
	PCA	sand beige					PCB	steel grey			
	PCB	steel grey					PCC	black			
	PCC	black					PCD	palmgreen			
(4)	955 522 320 06	cover for cushion without heating	/R 06-	1	IQ2J/N5U/4A0 I4A3/9AH	(4)	955 522 324 05	cover for cushion without heating	/R 05	1	IQ2J/N7D/4A0 I4A3/9AB/9AD
	PCD	palmgreen					PCA	sand beige			
	PCA	sand beige					PCB	steel grey			
	PCB	steel grey					PCC	black			
	PCC	black					PCD	palmgreen			
(4)	955 522 322 01	cover seat cushion plain leather	-04	1	IN5U/Q2J I4A4/9AH	(4)	955 522 324 06	cover for cushion without heating	/R 06-	1	IQ2J/N7D/4A0 I4A3/9AB/9AD
	PCD	palmgreen					PCA	sand beige			
	PCA	sand beige					PCB	steel grey			
	PCB	steel grey					PCC	black			
	PCC	black					PCD	palmgreen			
	PCD	palmgreen									

Model	Year	MG	SG	Illustration	Restrictions	Update	19:04	16.08.2006	PORSCHE	PET	PORSCHE
9pa	06	8	17	817-40		203					

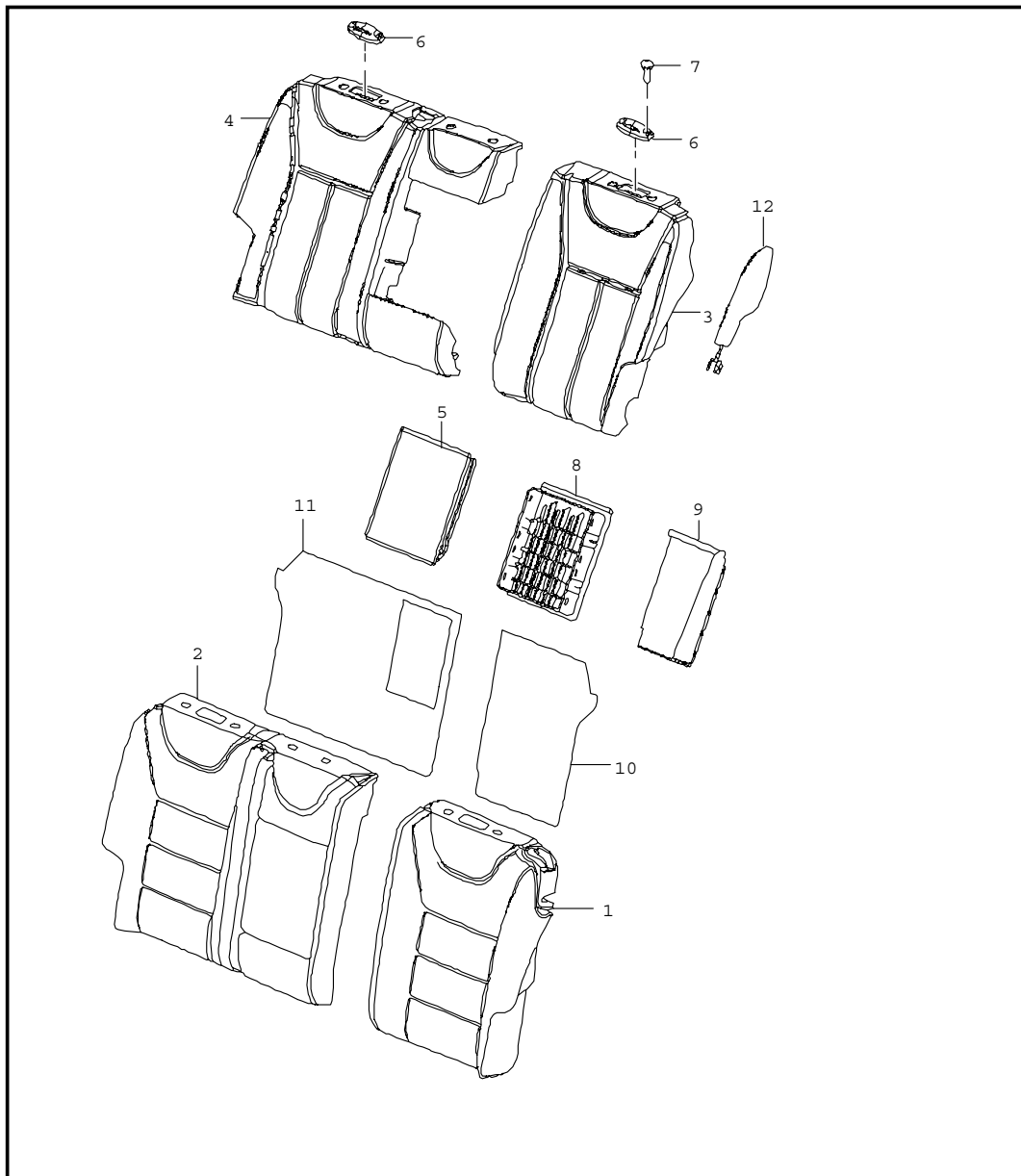
Pos	Part Number	Name	Remarks	Qty	Model	Pos	Part Number	Name	Remarks	Qty	Model
(4)	955 522 326 01	cover seat cushion draped leather	-04	1	IN7D/Q2J/4A4 I9AB/9AD	(4)	955 522 328 06	cover for cushion without heating	/R 06-	1	IQ2J/N7D/4A0 I4A3/9AH
	PCA	sand beige					PCA	sand beige			
	PCB	steel grey					PCB	steel grey			
	PCC	black					PCC	black			
	PCD	palmgreen					PCD	palmgreen			
(4)	955 522 326 05	cover for cushion with heating	/R 05	1	IQ2J/N7D/4A4 I9AB/9AD	(4)	955 522 330 01	cover seat cushion draped leather	-04	1	IN7D/Q2J I4A4/9AH
	PCA	sand beige					PCA	sand beige			
	PCB	steel grey					PCB	steel grey			
	PCC	black					PCC	black			
	PCD	palmgreen					PCD	palmgreen			
(4)	955 522 326 06	cover for cushion with heating	/R 06-	1	IQ2J/N7D/4A4 I9AB/9AD	(4)	955 522 330 05	cover for cushion with heating	/R 05	1	IQ2J/N7D I4A4/9AH
	PCA	sand beige					PCA	sand beige			
	PCB	steel grey					PCB	steel grey			
	PCC	black					PCC	black			
	PCD	palmgreen					PCD	palmgreen			
(4)	955 522 328 00	cover seat cushion draped leather	-04	1	IN7D/Q2J/9AH I4A0/4A3	(4)	955 522 330 06	cover for cushion with heating	/R 06-	1	IQ2J/N7D I4A4/9AH
	PCA	sand beige					PCA	sand beige			
	PCB	steel grey					PCB	steel grey			
	PCC	black					PCC	black			
	PCD	palmgreen					PCD	palmgreen			
(4)	955 522 328 05	cover for cushion without heating	/R 05	1	IQ2J/N7D/4A0 I4A3/9AH	(4)	955 522 332 00	cover seat cushion plain leather	-04	1	IN5U/4A3/4A0 IQ2J/9AB/9AD
	PCA	sand beige					PCA	sand beige			
	PCB	steel grey					PCB	steel grey			
	PCC	black					PCC	black			
	PCD	palmgreen					PCD	palmgreen			

Model	Year	MG	SG	Illustration	Restrictions	Update	19:04	16.08.2006	PORSCHE	PET	PORSCHE
9pa	06	8	17	817-40		203					

Pos	Part Number	Name	Remarks	Qty	Model	Pos	Part Number	Name	Remarks	Qty	Model
(4)	955 522 332 05	cover for cushion without heating	/R 05	1	IQ2J/N5U/4A0 I4A3/9AB/9AD	5	955 522 380 00	seat frame rear	/R -03	1	I9AH
	PCA	sand beige				(5)	955 522 380 03	seat frame rear	/R	1	IQA0/9AH
	PCB	steel grey				(5)	955 522 382 00	seat frame rear	/R -03	1	I9AB/9AD
	PCC	black				(5)	955 522 382 03	seat frame rear		1	IQA0/9AB/9AD
	PCD	palmgreen				6	955 522 385 02	seat frame rear	/L	1	IQA0
(4)	955 522 332 06	cover for cushion without heating	/R 06-	1	IQ2J/N5U/4A0 I4A3/9AB/9AD	7	955 522 397 00	protection cap hinge seat frame		1	
	PCA	sand beige				8	955 522 398 00	cover mounting piece backrest		2	
	PCB	steel grey				9	955 522 399 00	cap hook	-03	4	
	PCC	black				(9)	955 522 399 01	cap hook	04-	4	
	PCD	palmgreen				10	N 910 260 01	screw mount seat frame body in white		8	
(4)	955 522 334 00	cover seat cushion leather embossed	-04	1	IQ2J/4A3/4A0 I9AB/9AD	11	955 653 421 00	heating element cushion	/L	1	IQ2J/4A4
	PBW	sand beige				(11)	955 653 422 00	heating element cushion	/R	1	IQ2J/4A4
	PBX	steel grey									
	PBY	black									
	PBZ	palmgreen									
(4)	955 522 334 05	cover for cushion without heating	/R 05	1	IQ2J/N1X/4A0 I4A3/9AB/9AD						
	PBW	sand beige									
	PBX	steel grey									
	PBY	black									
	PBZ	palmgreen									
(4)	955 522 334 06	cover for cushion without heating	/R 06-	1	IQ2J/N1X/4A0 I4A3/9AB/9AD						
	PBW	sand beige									
	PBX	steel grey									
	PBY	black									
	PBY	palmgreen									

- - - E N D - - -

Model	Year	MG	SG	Illustration	Restrictions	Update	19:05	16.08.2006	PORSCHE	PET	PORSCHE
9pa	06	8	17	817-45		203					



Pos	Part Number	Name	Remarks	Qty	Model
		cover back seat backrest foam part			CAYENNE
1	955 522 011 01	cover back seat backrest embossed	-04	1	IN1X/Q2J I4A0/4A3
		PBW sand beige			
		PBX steel grey			
		PBY black			
		PBZ palmgreen			
(1)	955 522 011 05	backrest cover without heating	/L 05-	1	IQ2J/N1X I4A0/4A3
		PBW sand beige			
		PBX steel grey			
		PBY black			
		PBZ palmgreen			
(1)	955 522 013 01	cover back seat backrest plain leather	-04	1	IN5U/Q2J I4A0/4A3
		PCA sand beige			
		PCB steel grey			
		PCC black			
		PCD palmgreen			
(1)	955 522 013 05	backrest cover without heating	/L 05-	1	IQ2J/N5U I4A0/4A3
		PCA sand beige			
		PCB steel grey			
		PCC black			
		PCD palmgreen			
(1)	955 522 015 01	cover back seat backrest leather	-04	1	IQ2J/N1X/4A4
		PBW sand beige			
		PBX steel grey			

Model	Year	MG	SG	Illustration	Restrictions	Update	19:05	16.08.2006	PORSCHE	PET	PORSCHE
9pa	06	8	17	817-45		203					

Pos	Part Number	Name	Remarks	Qty	Model	Pos	Part Number	Name	Remarks	Qty	Model
		PBY black						PBZ palmgreen			
		PBZ palmgreen				(1)	955 522 021 01	cover back seat backrest plain leather	-04	1	IN5U/Q1D/4A4
(1)	955 522 015 05	backrest cover with heating	/L 05-	1	IQ2J/N1X/4A4			PCA sand beige			
		PBW sand beige						PCB steel grey			
		PBX steel grey						PCC black			
		PBY black						PCD palmgreen			
(1)	955 522 017 01	cover back seat backrest draped leather	-04	1	IN7F/Q2J I4A0/4A3	(1)	955 522 021 05	backrest cover sports seat with heating	/L 05-	1	IQ1D/N5U/4A4
		PBW sand beige						PCA sand beige			
		PBX steel grey						PCB steel grey			
		PBY black						PCC black			
		PBZ palmgreen						PCD palmgreen			
(1)	955 522 017 05	backrest cover without heating	/L 05-	1	IQ2J/N7F I4A0/4A3	(1)	955 522 023 01	cover back seat backrest plain leather	-04	1	IN5U/Q2J/4A4
		PBW sand beige						PCA sand beige			
		PBX steel grey						PCB steel grey			
		PBY black						PCC black			
		PBZ palmgreen						PCD palmgreen			
(1)	955 522 019 01	cover back seat backrest draped leather	-04	1	IN7F/Q2J/4A4	(1)	955 522 023 05	backrest cover with heating	/L 05-	1	IQ2J/N5U/4A4
		PBW sand beige						PCA sand beige			
		PBX steel grey						PCB steel grey			
		PBY black						PCC black			
		PBZ palmgreen						PCD palmgreen			
(1)	955 522 019 05	backrest cover with heating	/L 05-	1	IQ2J/N7F/4A4	(1)	955 522 025 01	cover back seat backrest draped leather	-04	1	IQ2J/N7D I4A0/4A3
		PBW sand beige						PCA sand beige			
		PBX steel grey						PCB steel grey			
		PBY black						PCC black			

Model	Year	MG	SG	Illustration	Restrictions	Update	19:05	16.08.2006	PORSCHE	PET	PORSCHE
9pa	06	8	17	817-45		203					

Pos	Part Number	Name	Remarks	Qty	Model	Pos	Part Number	Name	Remarks	Qty	Model
(1)	955 522 025 05	PCD palmgreen backrest cover without heating	/L 05-	1	IQ2J/N7D I4A0/4A3	(2)	955 522 016 05	PBZ palmgreen backrest cover with heating	/R 05-	1	IQ2J/4A4/N1X
		PCA sand beige						PBW sand beige			
		PCB steel grey						PBX steel grey			
		PCC black						PBY black			
(1)	955 522 027 01	PCD palmgreen cover back seat backrest draped leather	-04	1	IQ2J/4A4/N7D	(2)	955 522 018 01	PBZ palmgreen cover back seat backrest draped leather	-04	1	IQ2J/N7F I4A0/4A3
		PCA sand beige						PBW sand beige			
		PCB steel grey						PBX steel grey			
		PCC black						PBY black			
(1)	955 522 027 05	PCD palmgreen backrest cover with heating	/L 05-	1	IQ2J/4A4/N7D	(2)	955 522 018 05	PBZ palmgreen backrest cover without heating	/R 05-	1	IQ2J/N7F I4A0/4A3
		PCA sand beige						PBW sand beige			
		PCB steel grey						PBX steel grey			
		PCC black						PBY black			
(1)	955 522 029 05	PCD palmgreen backrest cover sports seat without heating	/L 05-	1	IQ1D/N5U I4A0/4A3	(2)	955 522 020 01	PBZ palmgreen cover back seat backrest draped leather	-04	1	IN7F/Q2J/4A4
		PCA sand beige						PBW sand beige			
		PCB steel grey						PBX steel grey			
		PCC black						PBY black			
2	955 522 016 01	PCD palmgreen cover back seat backrest embossed	-04	1	IQ2J/4A4/N1X	(2)	955 522 020 05	PBZ palmgreen backrest cover with heating	/R 05-	1	IQ2J/N7F/4A4
		PBW sand beige						PBW sand beige			
		PBX steel grey						PBX steel grey			
		PBY black						PBY black			
								PBZ palmgreen			

Model	Year	MG	SG	Illustration	Restrictions	Update	19:05	16.08.2006	PORSCHE	PET	PORSCHE
9pa	06	8	17	817-45		203					

Pos	Part Number	Name	Remarks	Qty	Model	Pos	Part Number	Name	Remarks	Qty	Model
(2)	955 522 022 01	cover back seat backrest plain leather	-04	1	IN5U/Q1D/4A4	(2)	955 522 026 05	backrest cover without heating	/R 05-	1	IQ2J/N7D I4A0/4A3
	PCA	sand beige					PCA	sand beige			
	PCB	steel grey					PCB	steel grey			
	PCC	black					PCC	black			
	PCD	palmgreen					PCD	palmgreen			
(2)	955 522 022 05	backrest cover sports seat with heating	/R 05-	1	IQ1D/N5U/4A4	(2)	955 522 028 01	cover back seat backrest draped leather	-04	1	IN7D/Q2J/4A4
	PCA	sand beige					PCA	sand beige			
	PCB	steel grey					PCB	steel grey			
	PCC	black					PCC	black			
	PCD	palmgreen					PCD	palmgreen			
(2)	955 522 024 01	cover back seat backrest plain leather	-04	1	IN5U/Q2J/4A4	(2)	955 522 028 05	backrest cover with heating	/R 05-	1	IQ2J/N7D/4A4
	PCA	sand beige					PCA	sand beige			
	PCB	steel grey					PCB	steel grey			
	PCC	black					PCC	black			
	PCD	palmgreen					PCD	palmgreen			
(2)	955 522 024 05	backrest cover with heating	/R 05-	1	IQ2J/N5U/4A4	(2)	955 522 012 01	cover back seat backrest embossed	-04	1	IN1X/Q2J I4A0/4A3
	PCA	sand beige					PBW	sand beige			
	PCB	steel grey					PBX	steel grey			
	PCC	black					PBY	black			
	PCD	palmgreen					PBZ	palmgreen			
(2)	955 522 026 01	cover back seat backrest draped leather	-04	1	IQ2J/N7D I4A0/4A3	(2)	955 522 012 05	backrest cover without heating	/R 05-	1	IQ2J/N1X I4A0/4A3
	PCA	sand beige					PBW	sand beige			
	PCB	steel grey					PBX	steel grey			
	PCC	black					PBY	black			
	PCD	palmgreen					PBZ	palmgreen			

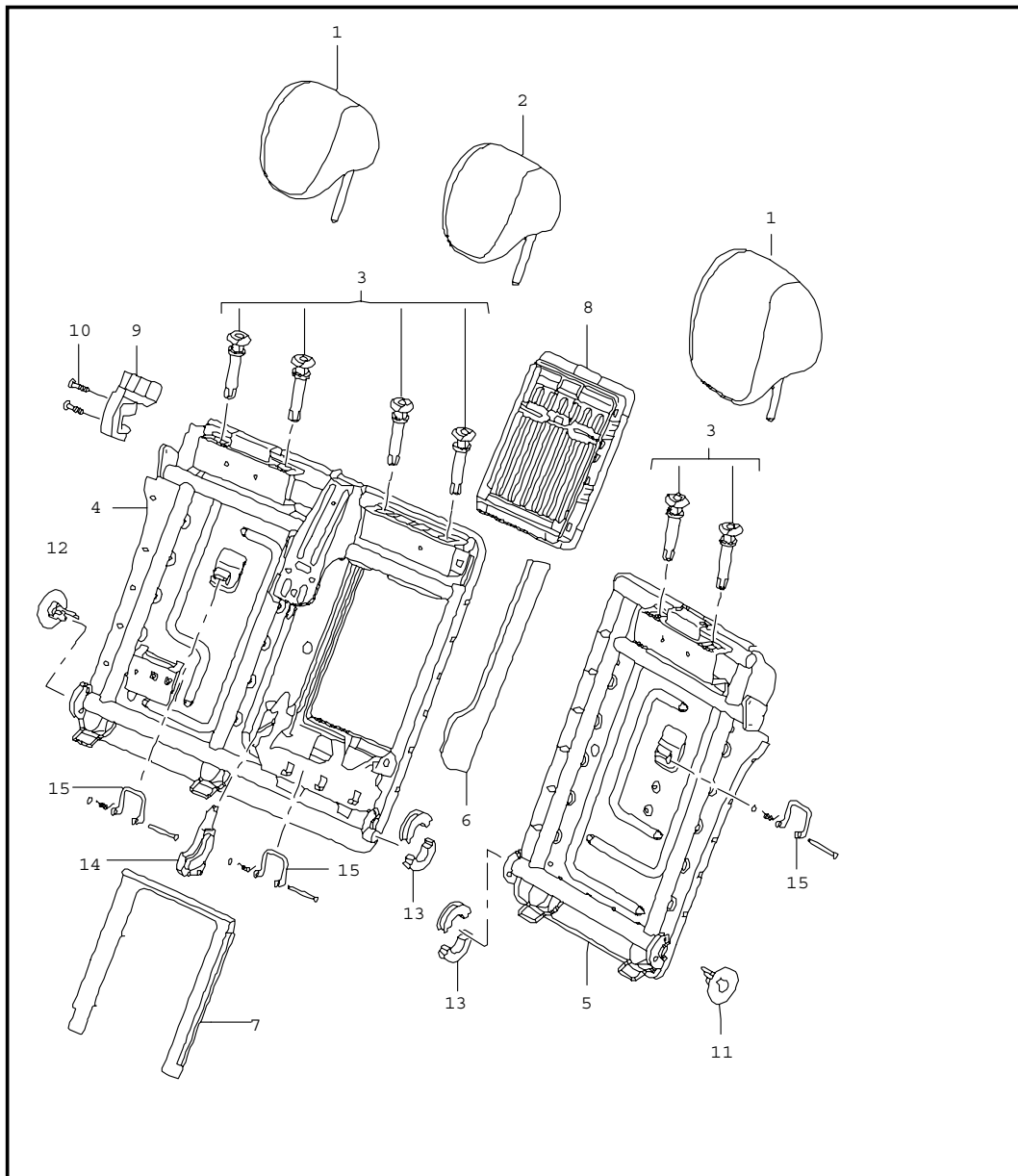
Model	Year	MG	SG	Illustration	Restrictions	Update	19:05	16.08.2006	PORSCHE	PET	PORSCHE
9pa	06	8	17	817-45		203					

Pos	Part Number	Name	Remarks	Qty	Model	Pos	Part Number	Name	Remarks	Qty	Model
(2)	955 522 014 01	cover back seat backrest plain leather	-04	1	IN5U/Q2J I4A0/4A3	5	955 522 090 01	armrest centre back seat backrest		1	IN1X/N7F
	PCA	sand beige					A08	black			
	PCB	steel grey					T25	sand beige			
	PCC	black					4Q2	palmgreen			
	PCD	palmgreen					6E1	steel grey			
(2)	955 522 014 05	backrest cover without heating	/R 05-	1	IQ2J/N5U I4A0/4A3	(5)	955 522 091 01	armrest centre back seat backrest		1	IN5U/N7D
	PCA	sand beige					4P1	palmgreen			
	PCB	steel grey					6B7	steel grey			
	PCC	black					8G1	sand beige			
	PCD	palmgreen					8YR	black			
(2)	955 522 030 00	cover back seat backrest	-04	1	IN5U/Q1D I4A0/4A3	6	955 522 080 01	support back seat backrest		1	
	PCA	sand beige					B41	satin black			
	PCB	steel grey					6C6	sand beige			
	PCC	black					6H8	palmgreen			
	PCD	palmgreen					7A8	steel grey			
(2)	955 522 030 05	backrest cover sports seat without heating	/R 05-	1	IQ1D/N5U I4A0/4A3	7	N 013 947 7	lens-head screw ST 6,3 X 19 mount support		1	
	PCA	sand beige									
	PCB	steel grey									
	PCC	black									
	PCD	palmgreen									
3	955 522 075 01	foam part backrest		1	IQ2J	8	955 522 088 00	cover without ski bag		1	I3X0
(3)	955 522 077 02	foam part backrest		1	IQ1D	9	955 522 089 00	cover without ski bag		1	I3X0
(4)	955 522 078 02	foam part backrest		1	IQ1D		01C	satin black			
4	955 522 076 02	foam part backrest		1	IQ2J		6C6	sand beige			
							6H8	palmgreen			
							7A8	steel grey			

Model	Year	MG	SG	Illustration	Restrictions	Update	19:05	16.08.2006	PORSCHE	PET	PORSCHE
9pa	06	8	17	817-45		203					

Pos	Part Number	Name	Remarks	Qty	Model	Pos	Part Number	Name	Remarks	Qty	Model
10	955 522 041 00	back wall lining tufting velour without ski bag	/L	1	I3ME/3X0		7K3	sand beige			
	7H1	black					7L4	palmgreen			
	7J2	steel grey				(11)	955 522 048 01	back wall lining pearl velour without ski bag	/R	1	I3MT/3X0
	7K3	sand beige					8B2	black			
	7L4	palmgreen					8C3	steel grey			
(10)	955 522 043 00	back wall lining pearl velour	/L	1	I3MT		8D4	sand beige			
	8B2	black					8E5	palmgreen			
	8C3	steel grey				12	955 653 041 00	heating element backrest side part	/L	1	IQ2J/4A4
	8D4	sand beige				(12)	955 653 042 00	heating element backrest side part	/R	1	IQ2J/4A4
	8E5	palmgreen						- - - E N D - - -			
11	955 522 038 00	back wall lining tufting velour with ski bag	/R	1	I3ME/3X1						
	7H1	black									
	7J2	steel grey									
	7K3	sand beige									
	7L4	palmgreen									
(11)	955 522 044 01	back wall lining pearl velour with ski bag	/R	1	I3MT/3X1						
	8B2	black									
	8C3	steel grey									
	8D4	sand beige									
	8E5	palmgreen									
(11)	955 522 046 01	back wall lining tufting velour without ski bag	/R	1	I3ME/3X0						
	7H1	black									
	7J2	steel grey									

Model	Year	MG	SG	Illustration	Restrictions	Update	7:35	17.08.2006	PORSCHE	PET	PORSCHE
9pa	06	8	17	817-50		203					



Pos	Part Number	Name	Remarks	Qty	Model
		head rest accessories backrest frame ski bag			CAYENNE
1	955 522 811 01	head rest A08 black T25 sand beige 4Q2 palmgreen 6E1 steel grey	/L -04	1	IN1X/N7F
(1)	955 522 811 06	head rest SXG black SXH steel grey SXJ sand beige SXX palmgreen	/L 05-	1	IN1X/N7F
(1)	955 522 813 01	head rest 4P1 palmgreen 6B7 steel grey 8G1 sand beige 8YR black	/L -04	1	IN5U/N7D
(1)	955 522 813 06	head rest SXL black SXM steel grey SXN sand beige SXP palmgreen	/L 05-	1	IN5U/N7D
(1)	955 522 814 01	head rest 8YR black 8G1 sand beige 4P1 palmgreen 6B7 steel grey	/R -04	1	IN5U/N7D
(1)	955 522 814 06	head rest	/R 05-	1	IN5U/N7D

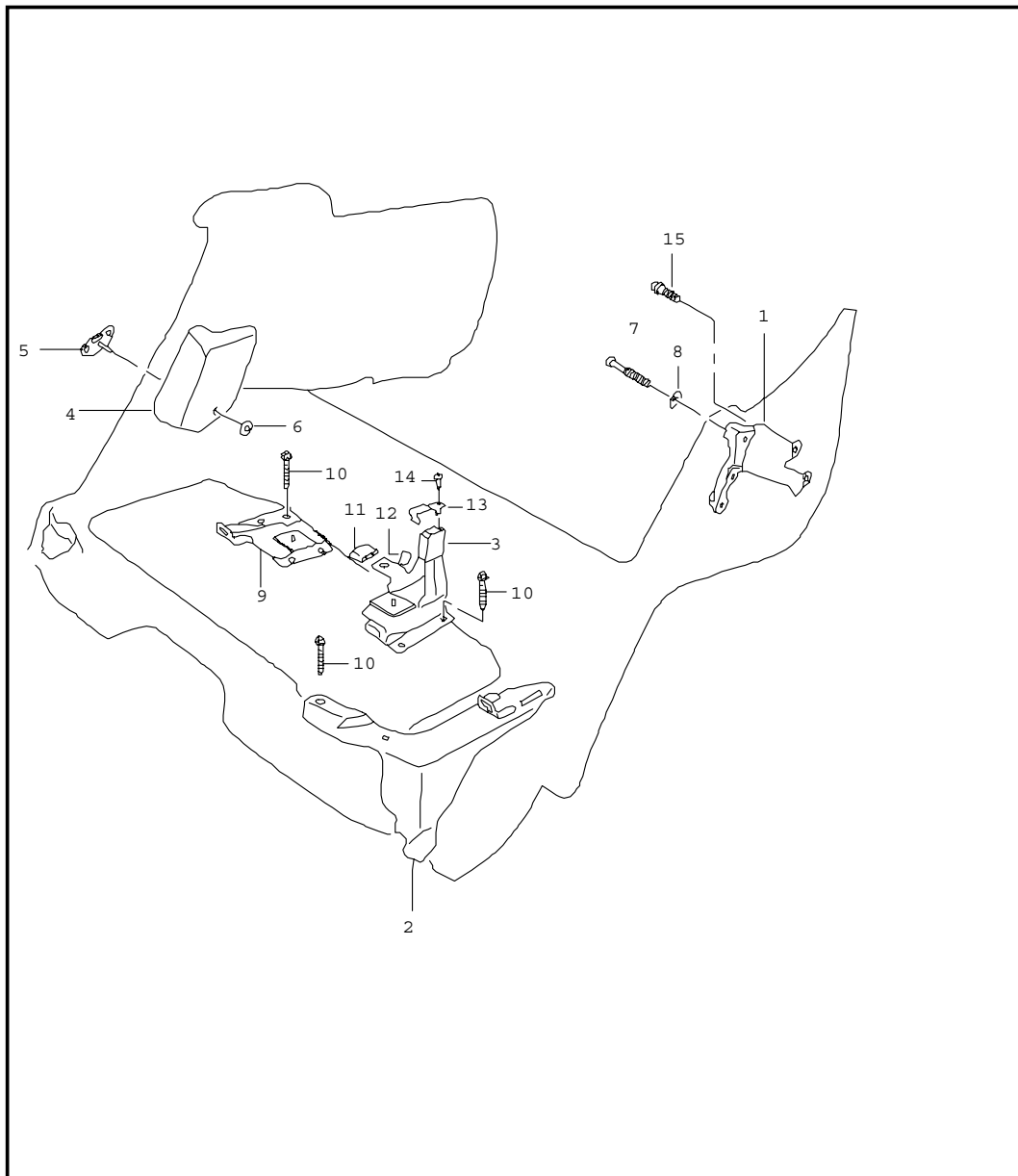
Model	Year	MG	SG	Illustration	Restrictions	Update	7:35	17.08.2006	PORSCHE	PET	PORSCHE
9pa	06	8	17	817-50		203					

Pos	Part Number	Name	Remarks	Qty	Model	Pos	Part Number	Name	Remarks	Qty	Model
	SXL	black					4Q2	palmgreen			
	SXM	steel grey					6E1	steel grey			
	SXN	sand beige				(2)	955 522 819 05	head rest centre	05-	1	IN1X/N7F
	SXP	palmgreen					SXG	black			
(1)	955 522 812 01	head rest	/R -04	1	IN1X/N7F		SXH	steel grey			
	4Q2	palmgreen					SXJ	sand beige			
	6E1	steel grey					SXK	palmgreen			
	T25	sand beige				3	955 521 825 00	guide sleeve head rest		1	
	A08	black					01C	satin black			
(1)	955 522 812 06	head rest	/R 05-	1	IN1X/N7F		6C6	sand beige			
	SXG	black					6H8	palmgreen			
	SXH	steel grey					7A8	steel grey			
	SXJ	sand beige				(3)	955 521 826 00	guide sleeve adjusting lever head rest		1	
	SXK	palmgreen					01C	satin black			
2	955 522 818 01	head rest back seat backrest centre	-04	1	IN5U/N7D		6C6	sand beige			
	8YR	black					6H8	palmgreen			
	8G1	sand beige					7A8	steel grey			
	4P1	palmgreen				(4)	955 522 875 00	backrest frame bodyshell	-05	1	
	6B7	steel grey				(4)	955 522 875 02	backrest frame bodyshell	06-	1	
(2)	955 522 818 05	head rest centre	05-	1	IN5U/N7D	(5)	955 522 877 00	backrest frame bodyshell		1	
	SXL	black				6	955 522 943 01	cover armrest back seat backrest		1	
	SXM	steel grey					01C	satin black			
	SXN	sand beige					6C6	sand beige			
	SXP	palmgreen					6H8	palmgreen			
(2)	955 522 819 01	head rest back seat backrest centre	-04	1	IN1X/N7F		7A8	steel grey			
	A08	black									
	T25	sand beige									

Model	Year	MG	SG	Illustration	Restrictions	Update						
9pa	06	8	17	817-50		203	7:35	17.08.2006	PORSCHE	PET	PORSCHE	

Pos	Part Number	Name	Remarks	Qty	Model	Pos	Part Number	Name	Remarks	Qty	Model
7	955 522 950 01	frame ski bag		1	I3X1	15	955 522 789 00	bracket rear wall		3	
	01C	satin black						- - - E N D - - -			
	6C6	sand beige									
	6H8	palmgreen									
	7A8	steel grey									
8	955 522 955 00	ski bag velour		1	I3MT/3X1						
	8B2	black									
	8C3	steel grey									
	8D4	sand beige									
	8E5	palmgreen									
(8)	955 522 956 00	ski bag tufting velour		1	I3ME/3X1						
	7H1	black									
	7J2	steel grey									
	7K3	sand beige									
	7L4	palmgreen									
9	955 522 931 01	release back seat backrest	/L	1							
(9)	955 522 932 01	release back seat backrest	/R	1							
10	N 106 101 01	countersunk-head screw mount release		2							
11	955 522 781 00	bearing sleeve backrest outer	/L	1							
12	955 522 782 00	bearing sleeve backrest outer	/R	1							
13	955 522 785 00	bearing backrest inner		1							
14	955 522 787 00	cap securing clip armrest		1							

Model	Year	MG	SG	Illustration	Restrictions	Update	7:35	17.08.2006	PORSCHE	PET	PORSCHE
9pa	06	8	17	817-55		203					



Pos	Part Number	Name	Remarks	Qty	Model
		rear wall support mounting parts			CAYENNE
1	955 522 701 00	support back seat backrest	/L	1	
(1)	955 522 702 00	support back seat backrest	/R	1	
2	955 522 708 00	bracket bracket	/L	1	
(2)	955 522 709 02	bracket bracket	/R	1	
3	955 522 712 03	support seat MITTELLAGER DREIERBANK		1	
4	955 522 721 01	cushion lateral back seat backrest	/L	1	IN1X/N7F
		A08 black			
		T25 sand beige			
		4Q2 palmgreen			
		6E1 steel grey			
(4)	955 522 722 01	cushion lateral back seat backrest	/R	1	IN1X/N7F
		A08 black			
		T25 sand beige			
		4Q2 palmgreen			
		6E1 steel grey			
(4)	955 522 723 01	cushion lateral back seat backrest	/L	1	IN5U/N7D
		4P1 palmgreen			
		6B7 steel grey			
		8G1 sand beige			
		8YR black			

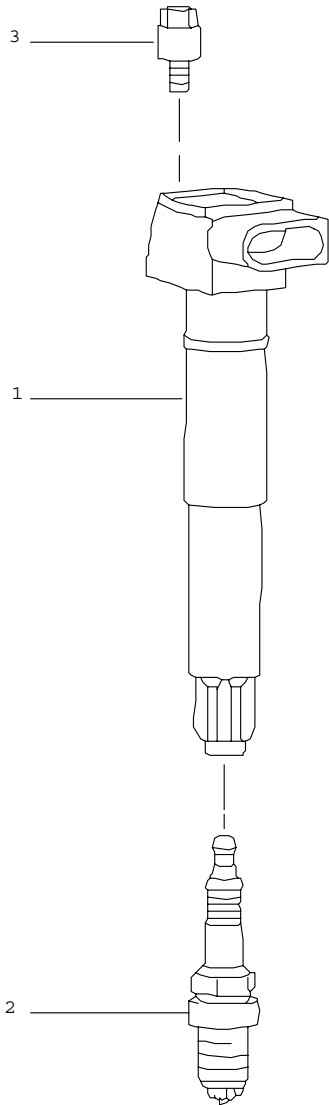
Model	Year	MG	SG	Illustration	Restrictions	Update					
9pa	06	8	17	817-55		203	7:35	17.08.2006	PORSCHE	PET	PORSCHE

Pos	Part Number	Name	Remarks	Qty	Model	Pos	Part Number	Name	Remarks	Qty	Model
(4)	955 522 724 01	cushion lateral back seat backrest	/R	1	IN5U/N7D			- - - E N D - - -			
	4P1	palmgreen									
	6B7	steel grey									
	8G1	sand beige									
	8YR	black									
5	955 522 735 00	bearing backrest	/L	1							
(5)	955 522 734 00	bearing backrest	/R	1							
6	955 522 741 00	clamping washer cushion		2							
7	955 522 750 00	lock pin backrest locking device		2							
8	955 522 755 01	trim support lock pin		2							
9	955 522 760 01	bracket seat-belt buckle rear		1							
10	N 910 260 01	screw M10 X 20 mount bracket		1							
11	955 522 714 00	buffer support bearing bracket		1							
12	955 522 713 00	protective rubber support bearing bracket		1							
13	955 522 770 01	support bearing bracket		1							
14	N 103 122 01	screw M6 X 20 mount support		1							
15	N 907 870 02	screw M8 X 22 mount support		X							

Model	Year	MG	SG	Illustration	Restrictions	Update	7:35	17.08.2006
9pa	06	8	98	898-00		203		

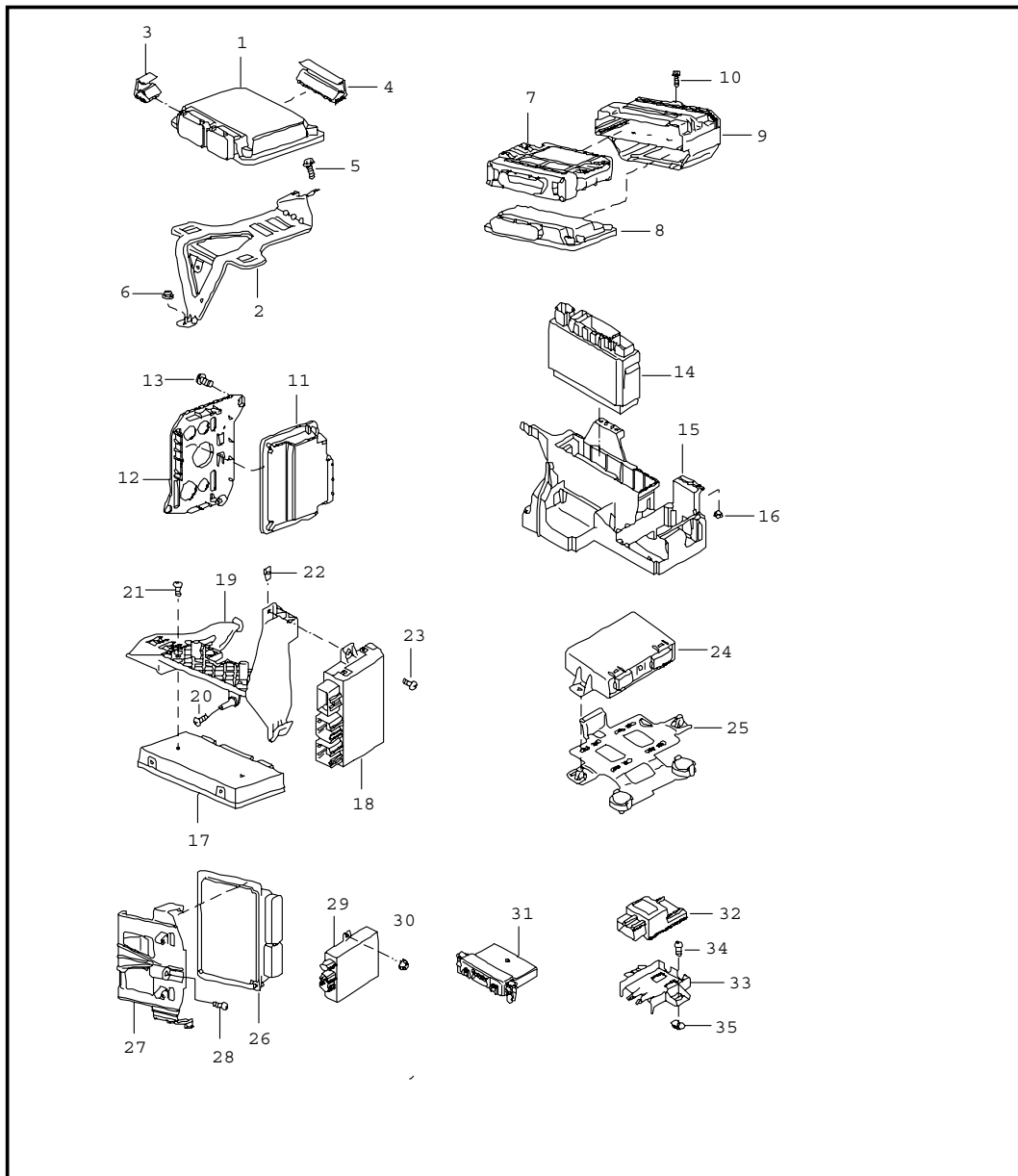
Pos	Part Number	Name	Remarks	Qty	Model
		repair kits			
		set of locks			
--	A 955 538 001 01	set of locks	/LL -04	1	I4K0/4K3/5D1
--	955 538 002 01	set of locks	/LL -05	1	I4K0/4K3/5D1
--	955 538 002 51	set of locks	/LL 06-	1	I4K0/4K3/5D1
--	955 538 001 06	set of locks	/LL -04	1	I4F2/4F6/5D1
--	955 538 002 06	set of locks	/LL -05	1	I4F2/4F6/5D1
--	955 538 002 56	set of locks	/LL 06-	1	I4F2/4F6/5D1
--	A 955 538 001 03	set of locks	/RL -04	1	I4K0/4K3/5D1
--	955 538 002 03	set of locks	/RL -05	1	I4K0/4K3/5D1
--	955 538 002 53	set of locks	/RL 06-	1	I4K0/4K3/5D1
--	955 538 001 08	set of locks	/RL -04	1	I4F2/4F6/5D1
--	955 538 002 08	set of locks	/RL -05	1	I4F2/4F6/5D1
--	955 538 002 58	set of locks	/RL 06-	1	I4F2/4F6/5D1
--	A 955 538 001 04	set of locks	/RL -04	1	I4K0/4K3/5D3
--	955 538 002 04	set of locks	/RL -05	1	I4K0/4K3/5D3
--	955 538 002 54	set of locks	/RL 06-	1	I4K0/4K3/5D3
--	A 955 538 001 05	set of locks	/LL -04	1	I4K0/4K3/5D3
--	955 538 002 05	set of locks	/LL -05	1	I4K0/4K3/5D3
--	955 538 002 55	set of locks	/LL 06-	1	I4K0/4K3/5D3
--	A 955 538 001 09	set of locks	/RL -04	1	I4F2/4F6/5D3
--	955 538 002 09	set of locks	/RL -05	1	I4F2/4F6/5D3
--	955 538 002 59	set of locks	/RL 06-	1	I4F2/4F6/5D3
--	A 955 538 001 10	set of locks	/LL -04	1	I4F2/4F6/5D3
--	955 538 002 10	set of locks	/LL -05	1	I4F2/4F6/5D3
--	955 538 002 60	set of locks	/LL 06-	1	I4F2/4F6/5D3
		- - - E N D - - -			

Model	Year	MG	SG	Illustration	Restrictions	Update	7:35	17.08.2006	PORSCHE	PET	PORSCHE
9pa	06	9	01	901-00		203					



Pos	Part Number	Name	Remarks	Qty	Model
		ignition system			
1	948 602 104 01	ignition coil		8	M 48.00/ M 48.50
1	955 602 101 03	ignition coil		6	ID9J
2	999 170 218 90	spark plug FGR 6 KQE		8	M 48.00
(2)	999 170 221 90	spark plug 14 F-6		8	M 48.50
(2)	955 170 219 90	spark plug IZKR7B		6	ID9J
(2)	955 170 219 00	spark plug		6	(CN) ID9J
3	948 105 145 01	screw M 6 X 16,5		8	M 48.00/50
- - - E N D - - -					

Model	Year	MG	SG	Illustration	Restrictions	Update	7:36	17.08.2006	PORSCHE	PET	PORSCHE
9pa	06	9	01	901-03		203					



Pos	Part Number	Name	Remarks	Qty	Model
		control units			
1	955 618 601 00	control unit - dme -	-04	1	IT31
1	955 618 601 10	control unit - dme -	05-	1	IT31
(1)	955 618 602 00	control unit - dme -		1	IT91/T90
2	955 618 133 01	support		1	
3	955 618 150 00	clip lateral		2	
4	955 618 151 00	clip rear		1	
5	N 101 563 02	hexagon-head bolt M 6 X 12		2	
6	N 015 082 5	hexagon nut M 6		1	
7	> 955 618 020 03	control unit automatic transmission F >>9P4LA 01743		1	IGOR/IT31
(7)	> 955 618 020 12	control unit automatic transmission F 9P4LA 01744>> F >>9P6LA 03709		1	IGOR/IT31
(7)	955 618 020 20	control unit F 9P6LA 03710>>		1	IGOR/IT31
(7)	> 955 618 021 03	control unit automatic transmission F >>9P4LA 83830		1	IGOR/IT90
(7)	> 955 618 021 12	control unit automatic transmission F 9P4LA 83831>> F >>9P6LA 81706		1	IGOR/IT90
(7)	955 618 021 20	control unit F 9P6LA 81707>>		1	IGOR/IT90
(7)	> 955 618 022 03	control unit automatic transmission F >>9P4LA 48466		1	IGOR/IT91
(7)	> 955 618 022 12	control unit automatic transmission F 9P4LA 48467>> F >>9P6LA 43715		1	IGOR/IT91

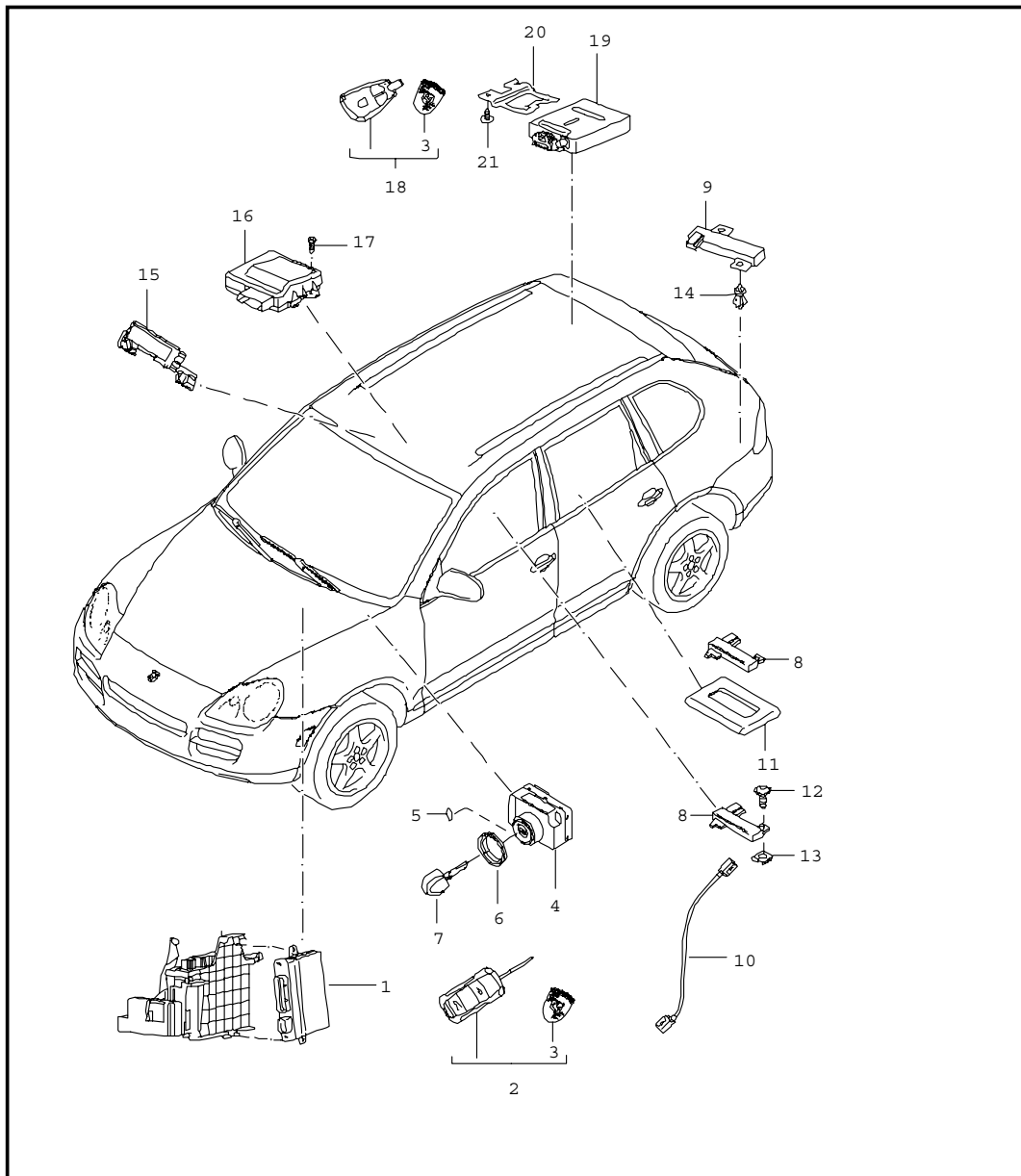
Model	Year	MG	SG	Illustration	Restrictions	Update	7:36	17.08.2006	PORSCHE	PET	PORSCHE
9pa	06	9	01	901-03		203					

Pos	Part Number	Name	Remarks	Qty	Model	Pos	Part Number	Name	Remarks	Qty	Model
(7)	955 618 022 20	control unit F 9P6LA 43716>>		1	IG0R/IT91	18	955 618 040 02	control unit trailer coupling	-04	1	
8	955 618 023 05	control unit lock control lengthways	-04	1	IG0R	18	955 618 040 10	control unit trailer coupling	05-	1	
8	955 618 023 10	control unit lock control lengthways	05-	1	IG0R	18	955 618 040 10	control unit trailer coupling		1	(AUS)
(8)	955 618 023 20	control unit lock control lengthways	-04	1	IG0L	19	955 618 137 00	support		1	
(8)	955 618 023 30	control unit lock control lengthways	05-	1	IG0L	20	N 104 648 02	oval-head screw 4 X 12		1	
9	955 618 129 01	support		1		21	N 104 592 01	pan-head screw M 5 X 12		2	
10	N 101 711 01	hexagon-head bolt M 6 X 16		1		22	N 904 759 02	speed nut M 5 X 13,6 X 11,5		1	
11 A	955 618 024 02	control unit lock control transverse		1	I1Y1	23	N 103 383 01	hexagon-head bolt M 5 X 12		1	
11	955 618 024 03	control unit lock control transverse		1	I1Y1	24	955 618 041 03	control unit park distance control		1	I7X1/7X2
12	955 618 130 00	support		1		25	955 618 135 00	support		1	I7X2
13	N 104 734 01	oval-head screw 6 X 20		3		26	955 618 301 01	control unit level adjustment F >>9P4LA 48415 F >>9P4LA 83739 use also: self-levelling sensor 955.341.075.20 vo. li. 955.341.076.20 vo. re. 955.331.077.20 hinten		1	I1BK/D9K/D9L
14	955 618 027 01	control unit vehicle electrical system		1	IJ2C	(26)	955 618 301 20	control unit level adjustment F >>9P4LA 01525 use also: 955.341.075.20 vo. li. 955.341.076.20 vo. re. 955.331.077.20 hinten		1	I1BK/ID9J
14	955 618 027 10	control unit vehicle electrical system		1	IJ0L/J0Z/J1U	(26)	955 618 301 30	control unit level adjustment F 9P4LA 01526>> F 9P4LA 48416>> F 9P4LA 83740>>		1	I1BK
15	955 618 131 00	support	/LL	1		(26)	955 618 301 41	control unit level adjustment		1	I1BK/E81/E8A
(15)	955 618 132 00	support	/RL	1		27	955 618 215 00	support		1	I1BK
16	N 102 058 01	hexagon nut M 6		1							
17	955 618 029 02	control unit see technical information Gr. 5 , Nr. 1/05 rear end	-05	1							
17	955 618 029 03	control unit rear end	06-	1							

Model	Year	MG	SG	Illustration	Restrictions	Update					
9pa	06	9	01	901-03		203	7:36	17.08.2006	PORSCHE	PET	PORSCHE

Pos	Part Number	Name	Remarks	Qty	Model	Pos	Part Number	Name	Remarks	Qty	Model
28	N 104 159 01	oval-head screw 4 X 12		2							
29	955 618 303 00	control unit stabiliser disengageable		1	I0AG/I0BJ						
30	N 100 151 01	plastic nut T 5/ 16 X 10		2							
31	A 955 610 107 01	control unit gateway	05	1							
31	955 610 107 02	control unit gateway		1							
32	955 618 045 00	control unit reversing camera		1	I7X1/I7X3						
33	955 618 050 00	support		1	I7X1/I7X3						
34	N 908 195 01	rais. counters. h. tap. s. ST 4,8 X 13		2							
35	N 106 697 01	speed nut ST 4,8 alarm siren control unit tilt sensor see group 9/03/00		2							
		- - - E N D - - -									

Model	Year	MG	SG	Illustration	Restrictions	Update	7:36	17.08.2006	PORSCHE	PET	PORSCHE
9pa	06	9	01	901-04		203					



Pos	Part Number	Name	Remarks	Qty	Model
		control units ignition starter switch receiving part additional heating antenna			I4F2/4F6/7VL
1	A 955 618 036 00	control unit anti-drive-off feature central locking system alarm system see technical information GR.9 NR.5/03		1	I5D2/5D3
(1)	A 955 618 035 03	control unit anti-drive-off feature central locking system alarm system see technical information GR.9 NR.5/03		1	I5D1
(1)	955 618 036 01	control unit anti-drive-off feature central locking system alarm system	-05	1	I5D2/5D3
(1)	955 618 036 02	control unit anti-drive-off feature central locking system alarm system	06-	1	I5D2/5D3
(1)	955 618 035 04	control unit anti-drive-off feature central locking system alarm system	-05	1	I5D1
(1)	955 618 035 05	control unit anti-drive-off feature central locking system alarm system	06-	1	I5D1
(2)	000 043 206 43	remote control without key use also: 000.043.206.19	-05	1	I5D1/I4K3
(2)	000 043 206 44	remote control without key use also: 000.043.206.19	-05	1	I5D3/I4K3

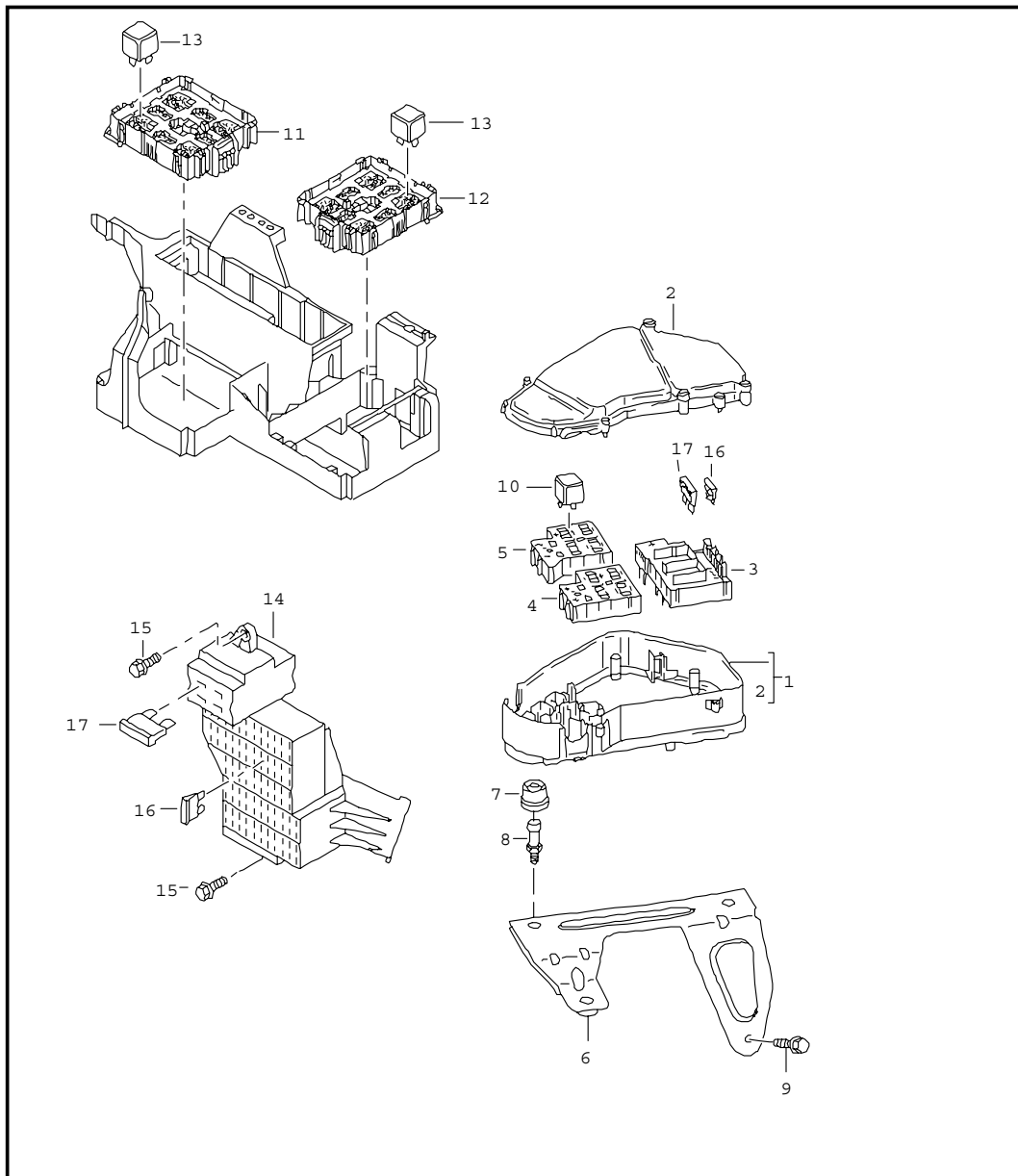
Model	Year	MG	SG	Illustration	Restrictions	Update	7:36	17.08.2006	PORSCHE	PET	PORSCHE
9pa	06	9	01	901-04		203					

Pos	Part Number	Name	Remarks	Qty	Model	Pos	Part Number	Name	Remarks	Qty	Model
(2)	955 637 944 12	remote control with stipulated lock-no. state lock number	-05	1	I5D3/4F2/4K3	(10) U	955 647 211 00	cable antenna support roof to rear spoiler	-04	1	I5D1
	01C	satin black									
(2)	955 637 945 10	remote control with stipulated lock-no. state lock number	06-	1	I5D3/4F2/4K3	(10) U	955 647 211 01	cable antenna support roof to rear spoiler	05-	1	I5D1
	01C	satin black									
(2)	955 637 944 22	remote control with stipulated lock-no. state lock number	-05	1	I5D1/4F2/4K3	(10) U	955 647 211 10	cable antenna support roof to rear spoiler	-04	1	I5D2/5D3
	01C	satin black									
(2)	955 637 945 20	remote control with stipulated lock-no. state lock number	06-	1	I5D1/4F2/4K3	(10) U	955 647 211 11	cable antenna support roof to rear spoiler	05-	1	I5D2/5D3
	01C	satin black									
-	999 611 108 00	battery remote control		1							
3	996 637 443 00	emblem coloured for remote control		1		11	955 647 151 00	support for antenna		1	I4F2/4F6/9AD
						(11)	955 647 152 00	support for antenna		1	I4F2/4F6/9AH
4	955 613 200 02	ignition starter switch		1		12	N 908 095 01	screw M 5 X 10		2	I4F2/I4F6
	01C	satin black									
6	955 613 201 00	nut		1		13	N 904 559 01	speed nut M 5		2	I4F2/I4F6
7	955 637 241 01	control part		1	I4F2/I4F6	14	955 647 153 00	clip		2	I4F2/4F6/1G3
8	955 647 101 00	antenna inner		3	I4F2/I4F6	15	955 618 210 00	sensor interior monitoring		1	I7AK/I7AL
9	955 647 102 00	antenna outer		2	I4F2/I4F6	16	955 618 039 00	control unit garage door opener		1	IVC1/I9MB
10	955 647 210 00	cable antenna control unit anti-drive-off feature to support roof		1		17	N 909 151 01	lens-head screw 2,2 X 8		2	
						18	955 646 245 00	remote control additional heating	-04	1	I7VL
						18	955 646 245 10	remote control additional heating	05-	1	I7VL
						-	999 611 105 00	battery remote control additional heating		2	

Model	Year	MG	SG	Illustration	Restrictions	Update					
9pa	06	9	01	901-04		203	7:36	17.08.2006	PORSCHE	PET	PORSCHE

Pos	Part Number	Name	Remarks	Qty	Model	Pos	Part Number	Name	Remarks	Qty	Model
19	955 646 247 00	receiving part additional heating	-04	1	I7VL						
19	955 646 247 10	receiving part additional heating	05-	1	I7VL						
20	955 646 160 00	support		1	I7VL						
21	N 102 473 02	rais. counters. h. tap. s. ST 4,8 X 16 alarm siren control unit tilt sensor see group 9/03/00 - - - E N D - - -		2	I7VL						

Model	Year	MG	SG	Illustration	Restrictions	Update	7:36	17.08.2006	PORSCHE	PET	PORSCHE
9pa	06	9	02	902-00		203					



Pos	Part Number	Name	Remarks	Qty	Model
1	A 955 610 105 00	central electrical system fusebox		1	
1	955 610 105 01	central electrical system plenum panel	/LL	1	
(1)	A 955 610 106 00	central electrical system plenum panel	/RL	1	
(1)	955 610 106 01	central electrical system plenum panel	/RL	1	
2	A 955 610 111 00	cover central electrical system		1	
2	955 610 111 01	cover central electrical system		1	
-	955 610 317 00	indication sticker cover central electrical system		1	
3	955 610 219 00	plate fuse central electrical system		1	
4	955 610 109 00	relay carrier 1 central electrical system		1	
5	955 610 110 00	relay carrier 2 central electrical system		1	
6	955 610 150 00	support		1	
7	955 610 122 00	rubber bush		3	
8	955 610 153 00	screw bolt		3	
9	N 101 153 01	pan-head screw M 6 X 12		1	
10	-	relay		X	
S1/1	141 951 253 B	relay		1	ID9J
S1/3	955 615 025 00	relay		1	
S1/4	955 615 008 00	relay secondary pump		1	
S1/5	A 955 615 005 00	relay water pump		1	ID9L/ID9J
S1/5	999 657 010 90	relay water pump		1	

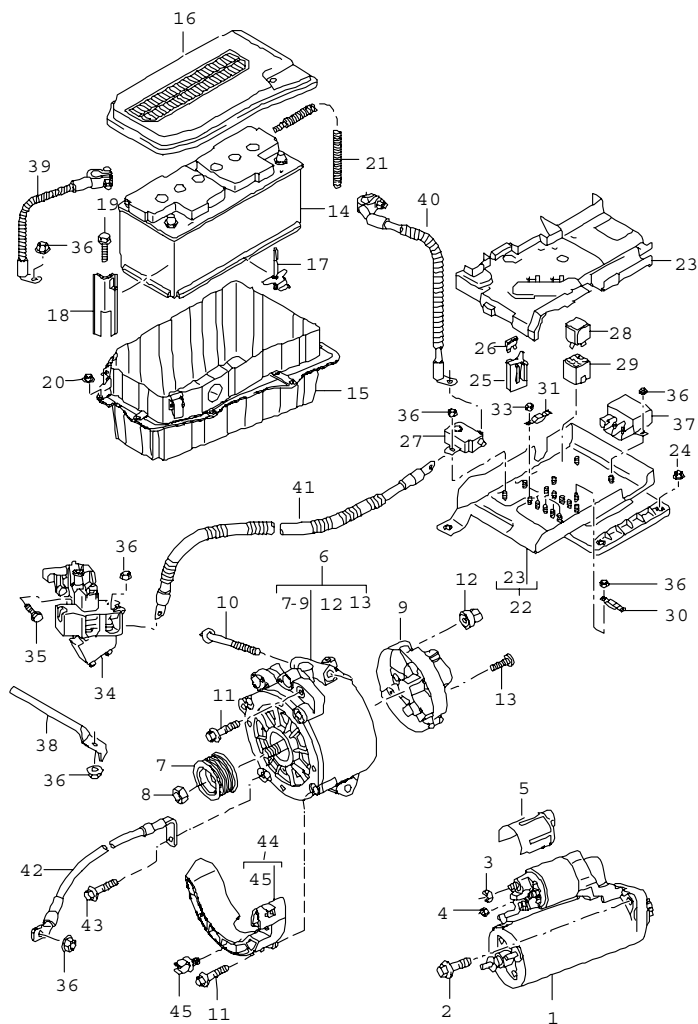
Model	Year	MG	SG	Illustration	Restrictions	Update	7:36	17.08.2006	PORSCHE	PET	PORSCHE
9pa	06	9	02	902-00		203					

Pos	Part Number	Name	Remarks	Qty	Model	Pos	Part Number	Name	Remarks	Qty	Model
S1/6	A 955 615 005 00	relay fuel pump left		1		S L4	999 657 010 90	relay release fuel filler flap appendix heating	06-	1	
S1/6	999 657 010 90	relay fuel pump left		1		S L6	A 955 615 005 00	relay appendix heating		1	
S2/3	955 615 008 00	relay secondary pump		1	ID9K/ID9L	S L6	999 657 010 90	relay appendix heating		1	
S2/6	A 955 615 005 00	relay		1	ID9L/ID9J	S L7	141 951 253 B	relay rear window heating		1	
S2/6	999 657 010 90	relay		1		S L8	A 955 615 005 00	relay socket		1	(AUS)
S 19	A 955 615 005 00	relay fuel pump right		1		S L8	999 657 010 90	relay socket		1	(AUS)
S 19	999 657 010 90	relay fuel pump right		1		S L9	A 955 615 045 00	relay switch-off brake light	/LL -04	1	
S 20	955 615 027 00	relay starter		1		S L9	955 615 045 01	relay switch-off brake light	/LL -04	1	
11	955 610 117 00	relay carrier left	/LL	1		S L9	955 615 009 00	relay	/RL	1	
(11)	955 610 117 00	relay carrier	/RL	1		S R2	A 955 615 005 00	relay release spare wheel	/LL	1	
12	955 610 117 00	relay carrier right	/LL	1		S R2	999 657 010 90	relay release spare wheel	/LL	1	
13	-	relay		X		S R3	955 615 046 00	relay preparation for telephone	/LL	1	I9ZF
S L1	955 618 047 00	control unit	-04	1	I1N3	S R4	A 955 615 005 00	relay water pump additional heating	/LL	1	ID9K/ID9J
S L1	955 618 047 01	control unit	05-	1	I1N3	S R4	999 657 010 90	relay water pump additional heating	/LL	1	ID9K/ID9J
S L2	A 955 615 005 00	relay lock rear lid		1	IGY1	S R7	141 951 253 B	relay headlight washer system	/LL	1	
S L2	999 657 010 90	relay lock rear lid		1		S R8	A 955 615 005 00	relay residual warmth	/LL	1	ID9L/ID9J
S L3	955 615 010 01	relay compressor level adjustment appendix heating		1	I1BK						

Model	Year	MG	SG	Illustration	Restrictions	Update	7:36	17.08.2006	PORSCHE	PET	PORSCHE
9pa	06	9	02	902-00		203					

Pos	Part Number	Name	Remarks	Qty	Model	Pos	Part Number	Name	Remarks	Qty	Model
S R8	999 657 010 90	relay residual warmth	/LL	1	ID9L/ID9J	(16) A	999 607 005 00	fuse 7,5 A		X	
S2/1 A	955 615 005 00	relay water pump additional heating	/RL	1	ID9K	(16)	999 607 083 00	fuse 7,5 A		X	
S2/1	999 657 010 90	relay water pump additional heating	/RL	1	ID9K	(16) A N	017 131 11	fuse 10 A		X	
S2/1 A	955 615 005 00	relay residual warmth	/RL	1	ID9L/ID9J	(16)	999 607 084 00	fuse 10 A		X	
S2/1	999 657 010 90	relay residual warmth		1		(16)	999 607 007 00	fuse 15 A		X	
S2/2 A	955 615 005 00	relay	/RL	1	I1G3	(16) A	N 017 131 13	fuse 20 A		X	
S2/2	999 657 010 90	relay	/RL	1	I1G3	(16) A	999 607 009 00	fuse 25 A		X	
S 5	955 615 046 00	relay preparation for telephone	/RL	1	I9ZF	(16)	999 607 087 00	fuse 25 A		X	
S 6	141 951 253 B	relay headlight washer system	/RL	1	I8X1	(16)	999 607 010 00	fuse 30 A		X	
		support relay carrier left right see group 9/01/03				17	N 102 519 03	fuse E30 A		X	
14	955 610 211 00	fusebox	/L	1		(17)	A N 102 519 01	fuse E40 A		X	
-	955 610 319 00	indication sticker fusebox	/L	1		(17) A N	102 519 02	fuse E60 A		X	
-	955 610 314 00	tool for fuse		2		(17)	999 607 077 00	fuse E60 A		X	
(14)	955 610 212 00	fusebox	/R	1					- - - E N D - - -		
-	955 610 320 00	indication sticker fusebox	/R	1							
15	955 610 154 00	screw upper M 5 X 50		2							
(15)	N 909 516 01	hexagon-head bolt lower M 5 X 20		2							
16	999 607 004 00	fuse 5 A		X							

Model	Year	MG	SG	Illustration	Restrictions	Update	7:36	17.08.2006	PORSCHE	PET	PORSCHE
9pa	06	9	02	902-05		203					



Pos	Part Number	Name	Remarks	Qty	Model
		battery power distributor starter generator			
1	948 604 106 00	starter		1	IT90/IT91
(1)	955 604 107 00	starter		1	IT31
2	900 385 003 09	hexagon-head bolt M 10 X 40		2	ID9K/ID9L
(2)	N 102 171 02	hexagon-head bolt BM 12 X 60		1	ID9J
3	900 377 003 02	hexagon nut M 8		1	
4	900 377 010 09	hexagon nut M 6		1	
5	955 604 115 00	heat protection		1	ID9J
6	948 603 015 02	generator see technical manual GR. 9 NR. 272219	-04	1	IT90/IT91
6	948 603 015 03	generator M >> 816 09866 M >> 826 04063		1	IT90/IT91
-	948 603 065 00	wiring harness generator		1	IT90/IT91
-	955 603 165 00	plug socket wiring harness engine		1	IT90/IT91
-	N 906 845 02	flat receptacle 2,8 - 2,50		1	
-	955 603 167 00	gasket for plug socket		1	
6	948 603 015 04	generator M 816 09867 >> M 826 04064 >>		1	IT90/IT91
(6)	955 603 016 01	generator	-05	1	IT31/I8GH
(6)	955 603 016 10	generator see technical manual Gr. 2 Nr. 2722	06-	1	IT31/I8GH
(6)	955 603 017 00	generator		1	IT31/I8GR
7	948 603 115 00	pulley		1	IT90/IT91

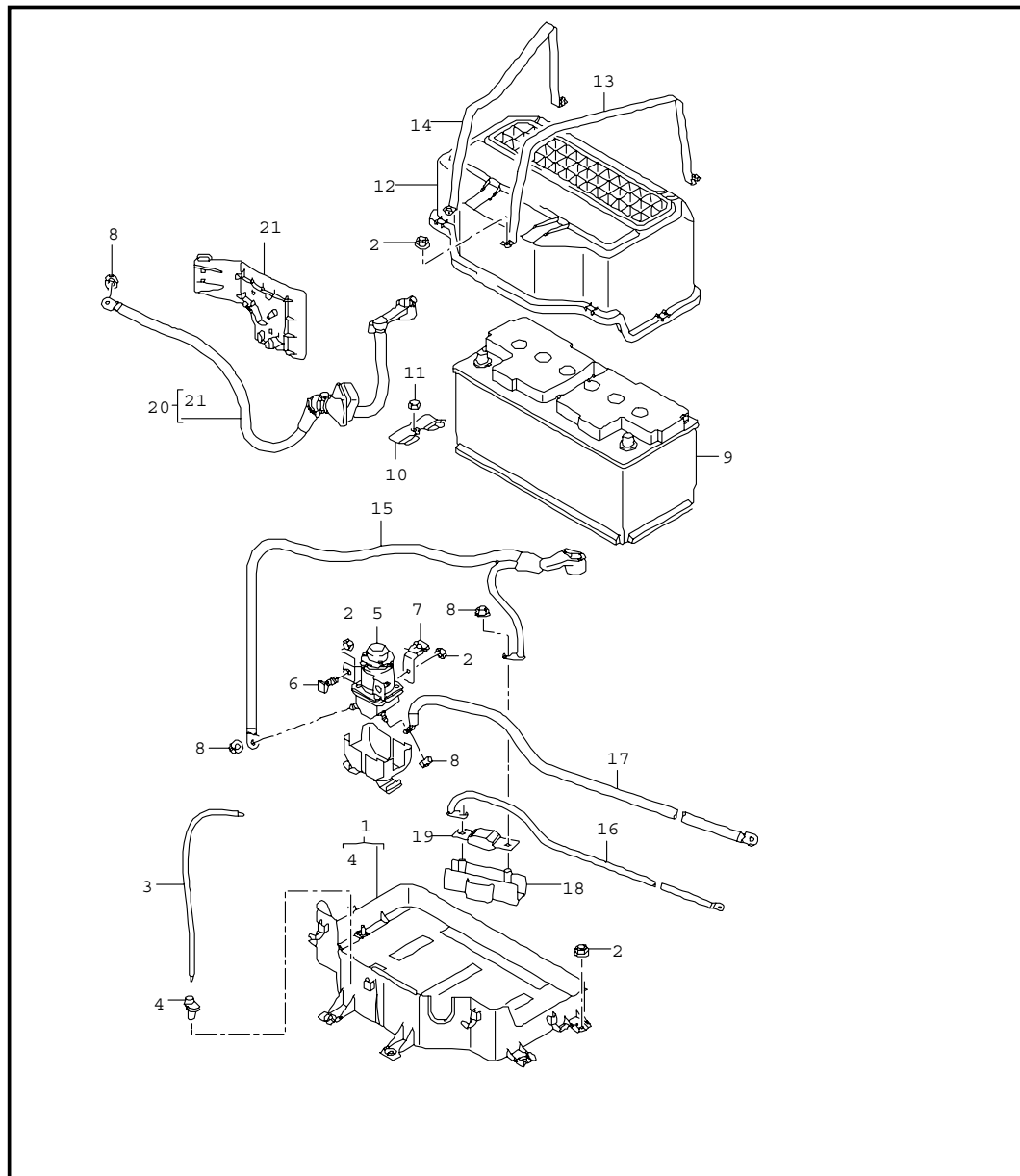
Model	Year	MG	SG	Illustration	Restrictions	Update	7:36	17.08.2006	PORSCHE	PET	PORSCHE
9pa	06	9	02	902-05		203					

Pos	Part Number	Name	Remarks	Qty	Model	Pos	Part Number	Name	Remarks	Qty	Model
(7)	955 603 152 00	pulley		1	IT31	22	955 610 308 10	power distributor		1	IJ2C
8	900 034 013 02	hexagon nut M 16 X 1,5		1		23	955 610 309 00	cover power distributor F >>9P6LA 03709 F >>9P6LA 43715 F >>9P6LA 81706 power distributor F 9P6LA 03710>> F 9P6LA 43716>> F 9P6LA 81707>>		1	
9	948 603 117 00	cover generator		1	IT90/IT91						
-	948 603 119 00	gasket		1	IT90/IT91						
(9)	955 603 022 00	cover generator		1	IT31/I8GH						
10	900 385 014 09	torx screw M 8 X 95		2	IT90/IT91	24	N 904 465 01	hexagon nut M 6		3	
(10)	N 106 100 01	hexagon-head bolt AM 8 X 90		2	IT31	25	955 610 207 00	fuse holder		1	
11	900 385 006 09	screw M 8 X 35		1	IT90/IT91	(25)	955 610 208 00	fuse holder		1	
12	999 070 014 00	cap nut M 8		1	IT90/IT91	(25)	955 610 209 00	fuse holder		1	
13	900 119 059 02	pan-head screw M 4 X 10		3	IT90/IT91	26	999 607 004 00	fuse 5 A		X	
14 A	955 611 095 21	battery 95 AH		1	IJ1U	(26) A	N 017 131 11	fuse 10 A		X	
14	955 611 095 30	battery 95 AH		1		(26)	999 607 084 00	fuse 10 A		X	
(14)	999 611 070 20	battery 70 AH		1	IJ0L	(26) A	N 102 519 01	fuse E 40 A		X	
(14)	955 611 110 21	battery 110 AH		1	IJ2C	(26)	999 607 073 00	fuse E 40 A		X	
15	955 504 151 00	battery box		1		27	955 611 201 00	switch unit F >>9P6LA 03709 F >>9P6LA 43715 F >>9P6LA 81706		1	
16	955 504 152 00	cover for housing		1		27	955 611 205 00	switch pyrotechnical F 9P6LA 03710>> F 9P6LA 43716>> F 9P6LA 81707>>		1	
17	955 611 209 02	clamping piece		1							
18	955 611 210 01	reinforcement angle battery		1		28	955 615 027 00	relay		1	
19	N 100 515 02	screw M 6 X 15		1		29	955 610 307 00	relay holder		1	
20	N 015 082 5	hexagon nut M 6		X		30	N 105 256 07	fuse 250 A		1	
21	955 611 311 00	breather pipe		1		31	N 105 255 08	fuse 150 A		2	
(22)	955 610 308 00	power distributor		1							

Model	Year	MG	SG	Illustration	Restrictions	Update	7:36	17.08.2006	PORSCHE	PET	PORSCHE
9pa	06	9	02	902-05		203					

Pos	Part Number	Name	Remarks	Qty	Model	Pos	Part Number	Name	Remarks	Qty	Model
(31)	N 105 255 03	fuse 60 A		2		(42)	955 611 096 00	ground strap engine body		1	ID9J
33	N 011 005 18	hexagon nut M 5		X		43	900 378 017 02	hexagon-head bolt M 8 X 20		1	ID9L/ID9K
34	955 611 202 00	connection point cable engine compartment		1		44	948 115 204 01	bracket generator		1	
-	955 611 204 00	cap red		1		45	999 507 930 40	hose holder 23,0		1	
35	N 014 702 10	pan-head screw M 6 X 15		2				- - - E N D - - -			
36	N 902 955 02	hexagon nut M 8		X							
(36)	N 904 560 02	hexagon nut M 6		X							
37	955 615 012 00	relay		1	IJ2C						
38	955 611 203 00	cable shoe ground strap		1							
39	955 611 090 00	ground strap battery body		1							
40	955 612 090 00	cable battery power distributor		1	IJ0L/J1U						
(40)	955 612 090 10	cable battery power distributor		1	IJ0Z						
41	955 612 091 00	cable power distributor connection point engine compartment		1							
42	955 611 095 00	ground strap generator body M >> 816 09866 M >> 826 04063		1	ID9L/ID9K						
42	955 611 095 10	ground strap generator body M 816 09867 >> M 826 04064 >>		1	ID9L/ID9K						

Model	Year	MG	SG	Illustration	Restrictions	Update				
9pa	06	9	02	902-06		203	7:37	17.08.2006	PORSCHE	PET
									PORSCHE	PORSCHE

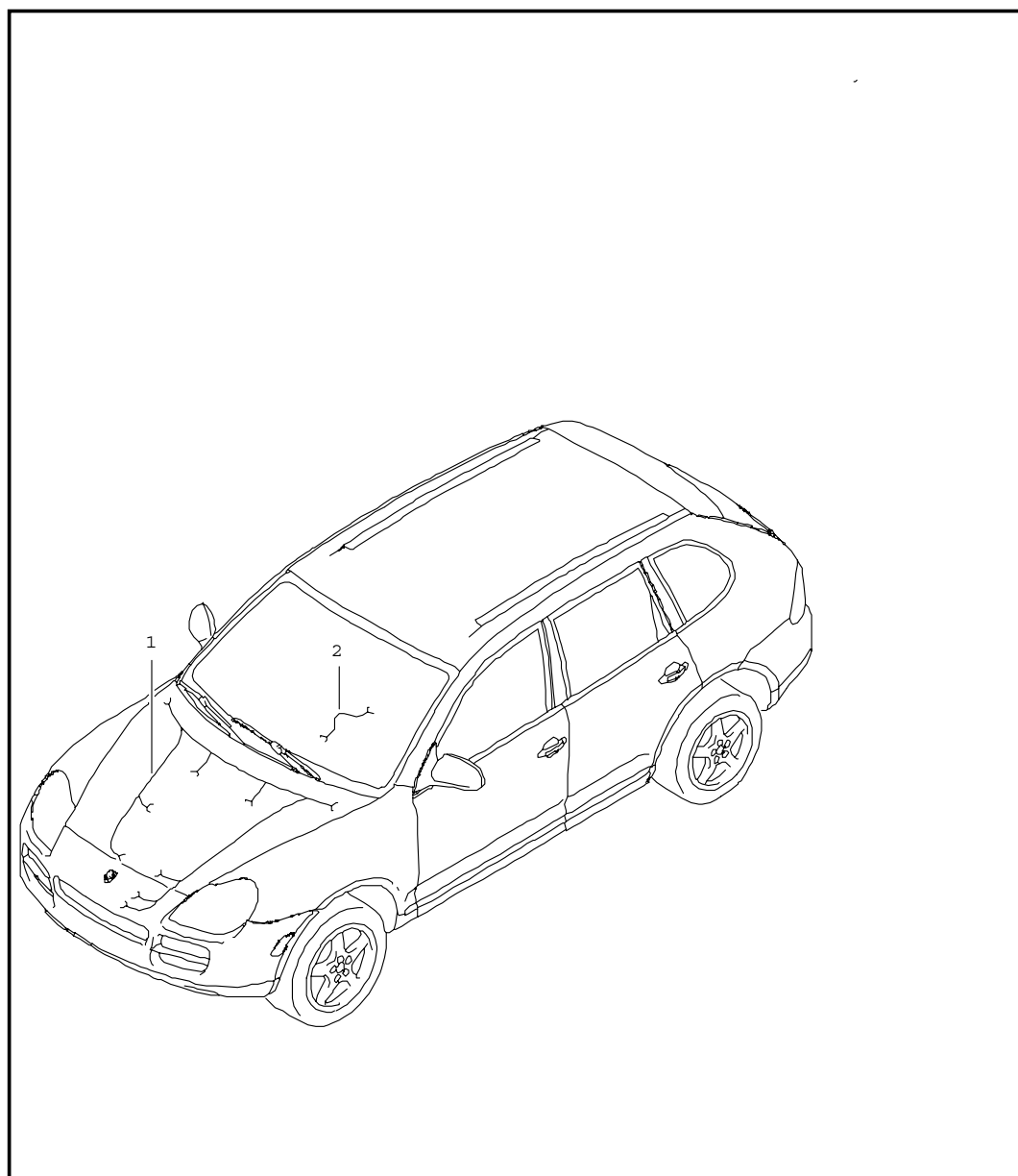


Pos	Part Number	Name	Remarks	Qty	Model
		battery spare-wheel well			IJ2C
1	955 504 153 00	battery box for relay 955.615.107.00 it is necessary to rework		1	
2	N 901 063 01	hexagon nut M 6-S		X	
3	955 611 123 00	breather pipe		1	
4	955 504 160 00	grommet		1	
5	A 955 615 107 00	relay connecting cable lower		1	
(5)	955 615 108 00	relay connecting cable upper		1	
6	N 903 449 01	square screw M 6 X 30		2	
7	955 615 109 00	retaining clip for relay 955.615.107.00		1	
-	N 103 346 03	round head screw M 6 X 20 for relay 955.615.107.00		2	
-	N 903 425 03	speed nut M 6 X 19,5 X 18 for relay 955.615.107.00		1	
-	N 901 686 02	speed nut M 6 X 23,4 X 16 for relay 955.615.108.00		1	
8	N 902 955 02	hexagon nut M 8		X	
9	955 611 085 00	battery 85 AH		1	IJ2C
10	955 611 219 00	clamping piece		1	

Model	Year	MG	SG	Illustration	Restrictions	Update					
9pa	06	9	02	902-06		203	7:37	17.08.2006	PORSCHE	PET	PORSCHE

Pos	Part Number	Name	Remarks	Qty	Model	Pos	Part Number	Name	Remarks	Qty	Model
11	N 023 002 8	hexagon nut AM 6		1							
12	955 504 154 00	cover for housing		1							
13	955 504 161 00	restraining strap	/L	1							
14	955 504 162 00	restraining strap	/R	1							
15	955 612 193 00	cable battery relay fuse box		1							
16	955 612 191 00	cable fuse box power distributor		1							
17	955 612 094 01	cable relay power distributor		1							
18	955 610 214 00	fuse box		1							
19	N 105 256 07	fuse 250 A		1							
20	955 611 097 00	ground strap		1							
(21)	955 612 411 00	cable guide	/L	1							
21	955 612 412 00	cable guide	/R	1							
		- - - E N D - - -									

Model	Year	MG	SG	Illustration	Restrictions	Update	7:37	17.08.2006	PORSCHE	PET	PORSCHE
9pa	06	9	02	902-07		203					

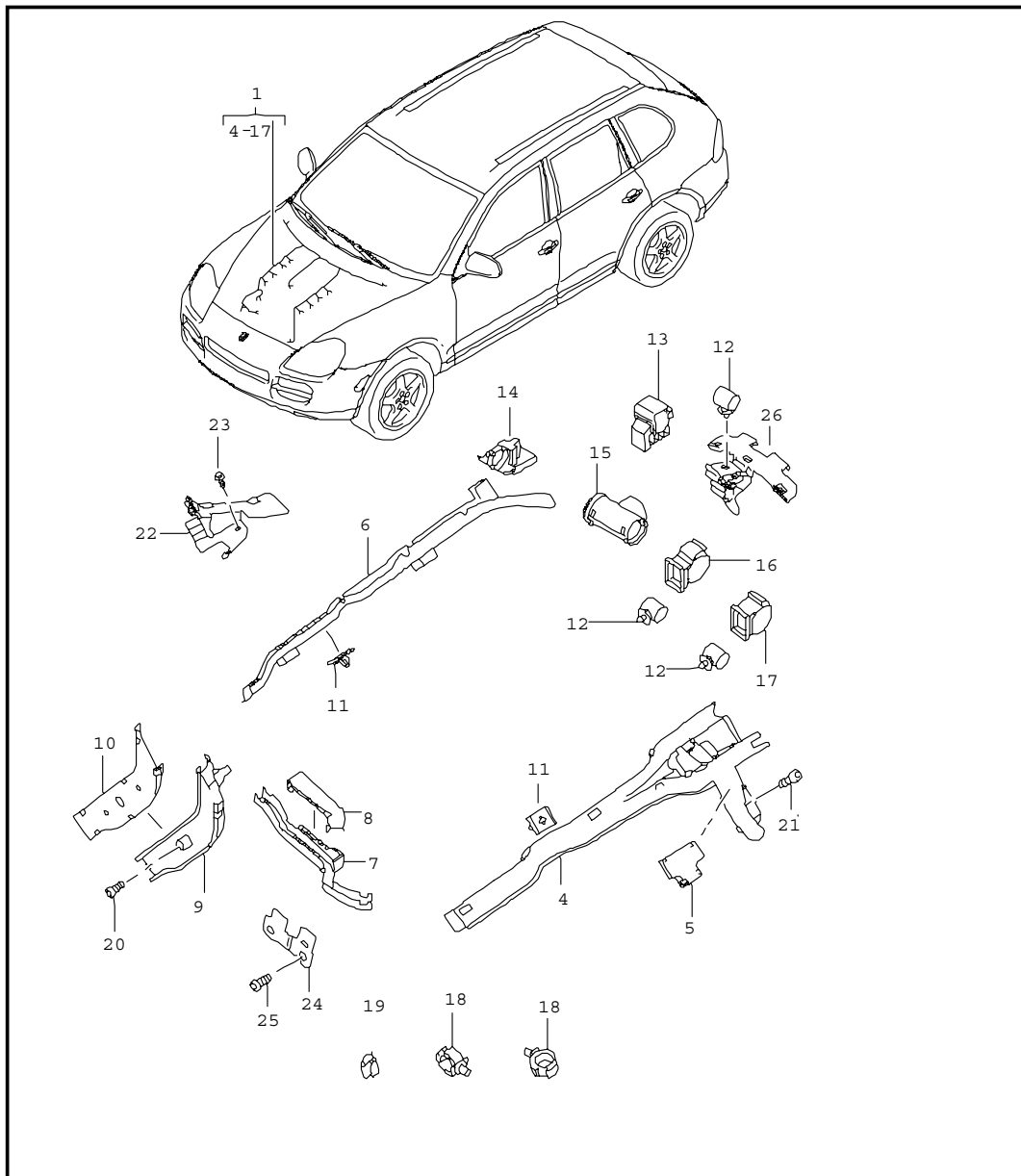


Pos	Part Number	Name	Remarks	Qty	Model
		harnesses engine compartment transmission			
1	A 955 612 008 00	wiring harness engine compartment	/LL 03	1	ID9L
1	955 612 008 01	wiring harness engine compartment	/LL -04	1	ID9L
1	955 612 009 00	wiring harness engine compartment	/LL 05	1	ID9L
1	N 955 612 009 01	wiring harness engine compartment	/LL 06-	1	ID9L
(1)	955 612 008 11	wiring harness engine compartment	/RL -04	1	ID9L
(1)	955 612 009 10	wiring harness engine compartment	/RL 05-	1	ID9L
(1)	955 612 008 21	wiring harness engine compartment	/LL -04	1	ID9K
(1)	955 612 009 20	wiring harness engine compartment	/LL 05	1	ID9K
(1)	N 955 612 009 21	wiring harness engine compartment	/LL 06-	1	ID9K
(1)	955 612 008 31	wiring harness engine compartment	/RL -04	1	ID9K
(1)	955 612 009 30	wiring harness engine compartment	/RL 05-	1	ID9K
(1)	955 612 008 40	wiring harness engine compartment	/LL -04	1	ID9J
(1)	955 612 009 40	wiring harness engine compartment	/LL 05-	1	ID9J
(1)	955 612 008 50	wiring harness engine compartment	/RL -04	1	ID9J
(1)	955 612 009 50	wiring harness engine compartment	/RL 05-	1	ID9J
2	A 955 612 401 10	wiring harness automatic transmission		1	IGOR
2	955 612 401 11	wiring harness automatic transmission use also: 955 301 328 00 955 301 502 00		1	IGOR

Model	Year	MG	SG	Illustration	Restrictions	Update					
9pa	06	9	02	902-07		203	7:37	17.08.2006	PORSCHE	PET	PORSCHE

Pos	Part Number	Name	Remarks	Qty	Model	Pos	Part Number	Name	Remarks	Qty	Model
(2)	A 955 612 402 00	wiring harness manual transmission		1	IG0L						
(2)	955 612 402 01	wiring harness manual transmission		1	IG0L						
		- - - E N D - - -									

Model	Year	MG	SG	Illustration	Restrictions	Update	7:37	17.08.2006	PORSCHE	PET	PORSCHE
9pa	06	9	02	902-08		203					

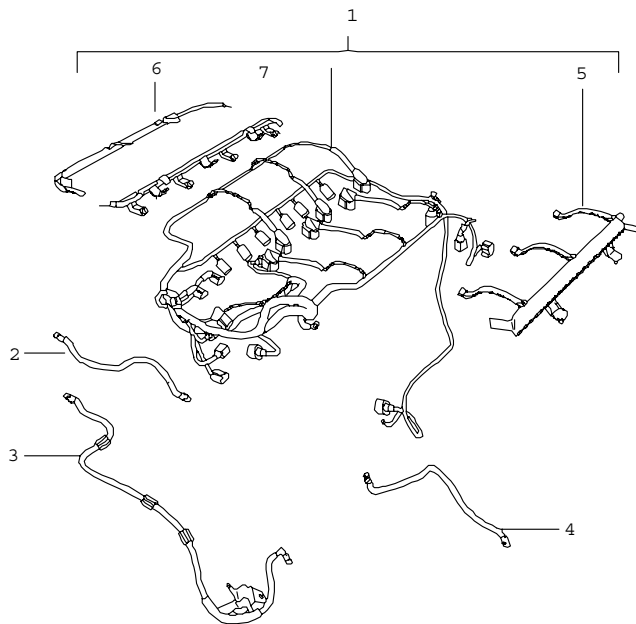
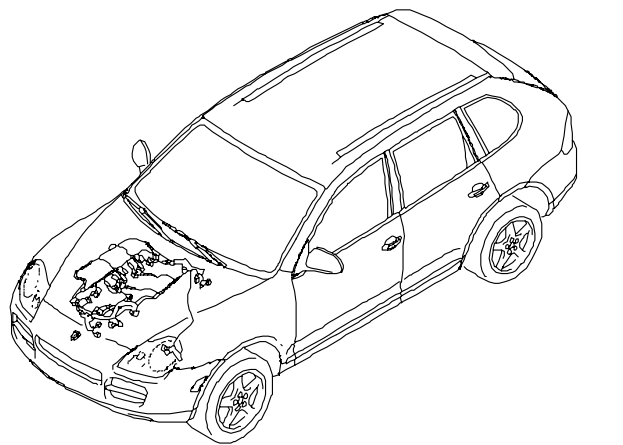


Pos	Part Number	Name	Remarks	Qty	Model
		harnesses engine			ID9L/ID9K
1	A 948 607 001 52	wiring harness engine	03	1	ID9L
1	948 607 001 53	wiring harness engine	04	1	ID9L
1	948 607 001 54	wiring harness engine	05	1	ID9L
(1)	A 948 607 001 02	wiring harness engine	03	1	ID9K
(1)	948 607 001 03	wiring harness engine	04	1	ID9K
(1)	948 607 001 04	wiring harness engine	05	1	ID9K
-	999 702 287 41	grommet	-04	1	
-	999 650 404 40	connector housing	-04	1	
-	999 650 265 22	connector for connector housing generator	-04	2	
4	948 607 121 00	cable guide		1	ID9L/ID9K
5	948 607 125 00	cover		1	ID9L/ID9K
6	948 607 122 00	cable guide		1	ID9L/ID9K
7	948 607 123 01	cable guide cable generator		1	ID9L/ID9K
8	948 607 127 00	cover		1	ID9L/ID9K
9	948 607 120 00	cable guide		1	ID9L/ID9K
10	948 607 124 00	cover		1	ID9L/ID9K
11	999 507 790 40	fastening part cable guide		6	ID9L/ID9K
12	999 507 712 40	cable clip NW 13		X	ID9L/ID9K
13	N 906 972 01	cable clip NW 22		1	ID9L/ID9K
14	955 507 712 00	cable clip NW 22		1	ID9L/ID9K

Model	Year	MG	SG	Illustration	Restrictions	Update					
9pa	06	9	02	902-08		203	7:37	17.08.2006	PORSCHE	PET	PORSCHE

Pos	Part Number	Name	Remarks	Qty	Model	Pos	Part Number	Name	Remarks	Qty	Model
15	999 022 003 40	cable clip NW 22 X 22 X 22		1	ID9L/ID9K						
16	999 507 810 40	cable clip NW 26		1	ID9L/ID9K						
17	999 507 809 40	cable clip NW 22		1	ID9L/ID9K						
18	999 507 075 40	cable holder		2	ID9L/ID9K						
19	999 651 257 02	cable clamp		1	ID9L/ID9K						
20	999 073 365 09	torx screw M 6 X 18		1	ID9L/ID9K						
21	900 385 041 09	screw M 6 X 12		1	ID9L/ID9K						
22	948 607 131 03	heat protection M >> 818 09866 M >> 826 04063		1	ID9L/ID9K						
22	948 607 131 05	heat protection M 818 09867 >> M 826 04064 >>		1	ID9L/ID9K						
22	948 607 931 00	heat protection for repair generator see technical manual Gr. 2 Nr. 2722		X	ID9L/ID9K						
23	900 385 041 09	torx screw BM 6 X 12		1	ID9L/ID9K						
24	948 607 130 00	support		1	ID9L/ID9K						
25	900 067 008 09	pan-head screw M 6 X 12		2	ID9L/ID9K						
26	955 607 714 00	cable holder		2							
		- - - E N D - - -									

Model	Year	MG	SG	Illustration	Restrictions	Update				
9pa	06	9	02	902-09		203	7:37	17.08.2006	PORSCHE	PET
									PORSCHE	PORSCHE

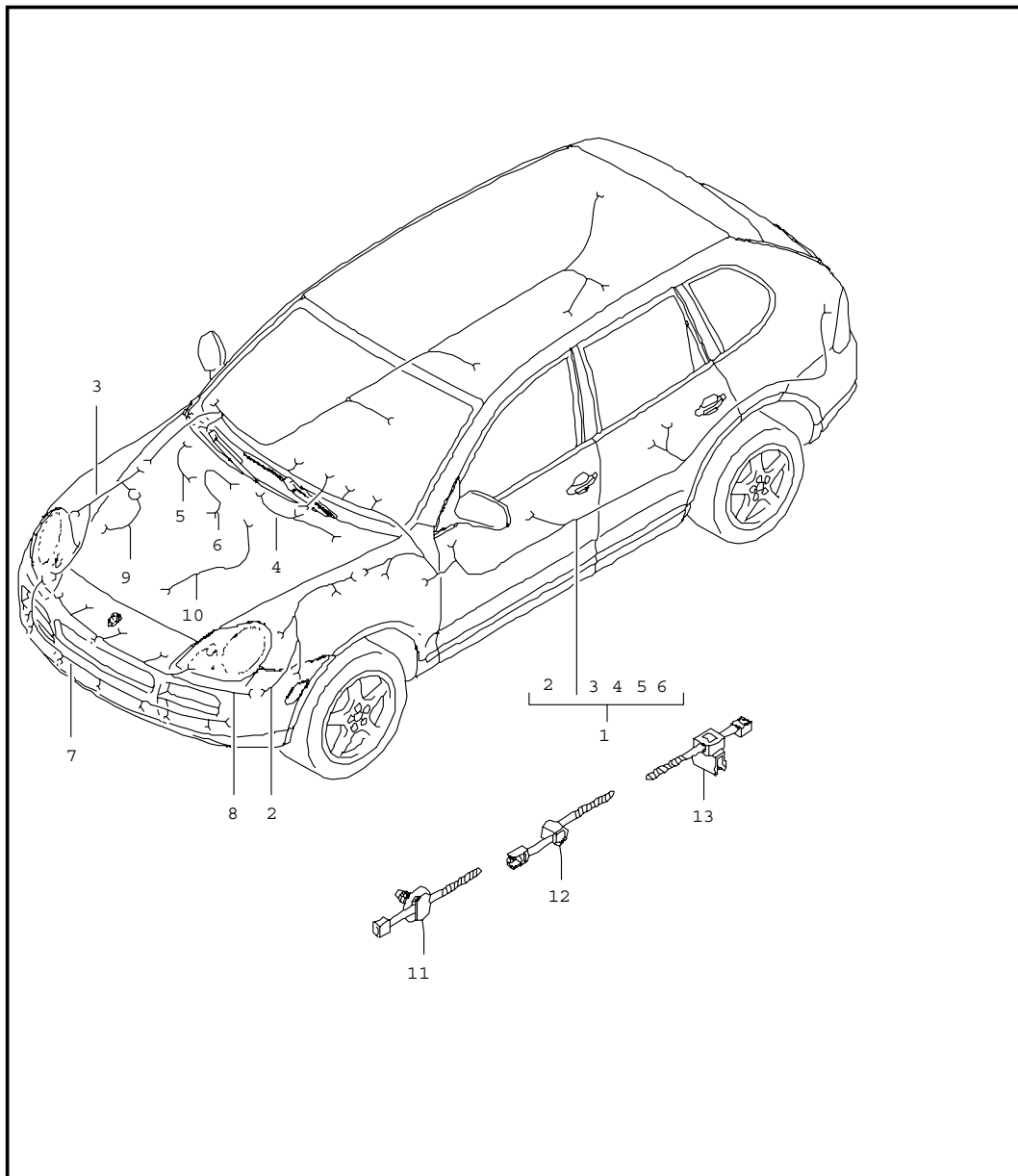


Pos	Part Number	Name	Remarks	Qty	Model
		wiring harness engine			ID9J
1	U 955 607 010 01	wiring harness engine		1	
1	U 955 607 010 10	wiring harness engine		1	
1	955 607 010 11	wiring harness engine	-05	1	
-	955 603 193 00	plug socket connector generator	-05	1	I8GH
-	N 906 844 02	flat receptacle 2,8 - 0,5	-05	2	I8GH
-	955 603 194 00	gasket	-05	2	I8GH
1	955 607 010 20	wiring harness engine	06-	1	
2	955 612 093 00	cable generator	-05	1	
2	955 612 092 00	cable generator	06-	1	I8GR
2	955 612 095 00	cable generator	06-	1	I8GH
-	955 603 195 00	plug socket connector generator	06-	1	I8GH
-	N 104 427 01	flat receptacle 2,8 - 1	06-	2	I8GH
-	955 603 194 00	gasket plug socket	06-	2	I8GH
3	955 612 092 01	cable starter		1	
4	955 611 096 00	ground strap engine		1	
5	955 607 172 00	cable guide	/R	1	
6	A 955 607 173 01	cable guide	/L	1	
6	955 607 173 02	cable guide	/L	1	
7	955 607 174 00	cable guide injector valve		1	

Model	Year	MG	SG	Illustration	Restrictions	Update					
9pa	06	9	02	902-09		203	7:37	17.08.2006	PORSCHE	PET	PORSCHE

Pos	Part Number	Name	Remarks	Qty	Model	Pos	Part Number	Name	Remarks	Qty	Model
		- - - E N D - - -									

Model	Year	MG	SG	Illustration	Restrictions	Update	7:37	17.08.2006	PORSCHE	PET	PORSCHE
9pa	06	9	02	902-10		203					

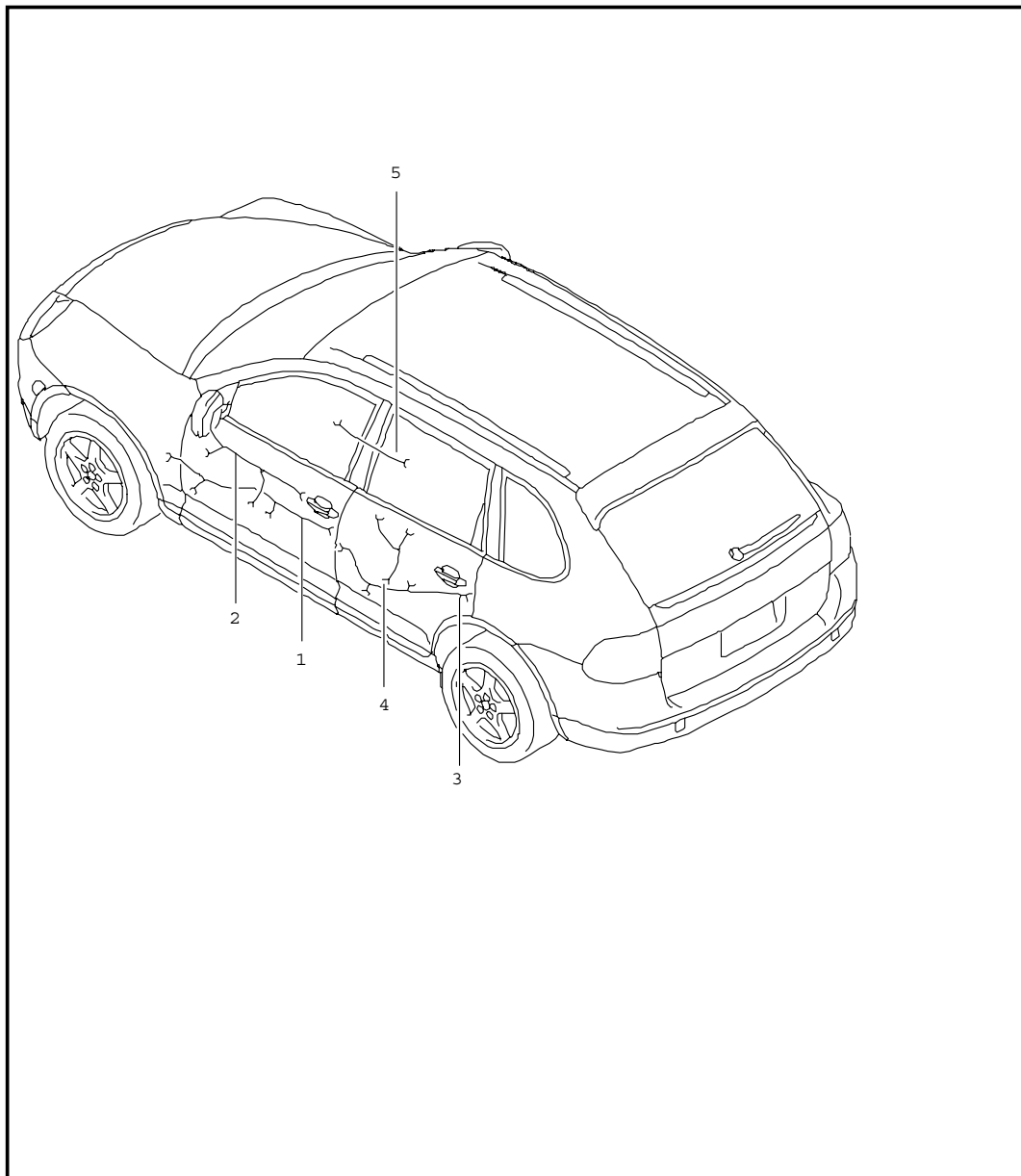


Pos	Part Number	Name	Remarks	Qty	Model
		harnesses passenger compartment bumper front trunk anti-lock brake system brake pad wear indicator front axle			
1	955 612 901 00	wiring harness passenger compartment vehicle identification no. indicate		1	
2	955 612 913 00	wiring harness sub-part front	/L	1	I8BB/8BF/8BR
(2)	955 612 915 00	wiring harness sub-part front	/L	1	I8BC/8BZ/8JD
3	955 612 914 00	wiring harness sub-part front	/R	1	I8BB/8BF/8BR
(3)	955 612 916 00	wiring harness sub-part front	/R	1	I8BC/8BZ/8JD
4	955 612 912 00	wiring harness sub-part brake booster		1	
5	955 612 917 00	repair kit ground strap hydraulic unit		1	
6	955 612 918 00	repair kit wiring harness sub-part hydraulic unit		1	
7	955 612 301 00	wiring harness bumper front		1	ID9L/7X1/7X2
(7)	955 612 302 00	wiring harness bumper front		1	ID9J/ID9K/ I7X1/I7X2
(7)	955 612 303 00	wiring harness bumper front		1	ID9J/D9K
8	955 612 310 00	wiring harness front trunk F >>9P4LA 82898	/LL	1	ID9L

Model	Year	MG	SG	Illustration	Restrictions	Update					
9pa	06	9	02	902-10		203	7:37	17.08.2006	PORSCHE	PET	PORSCHE

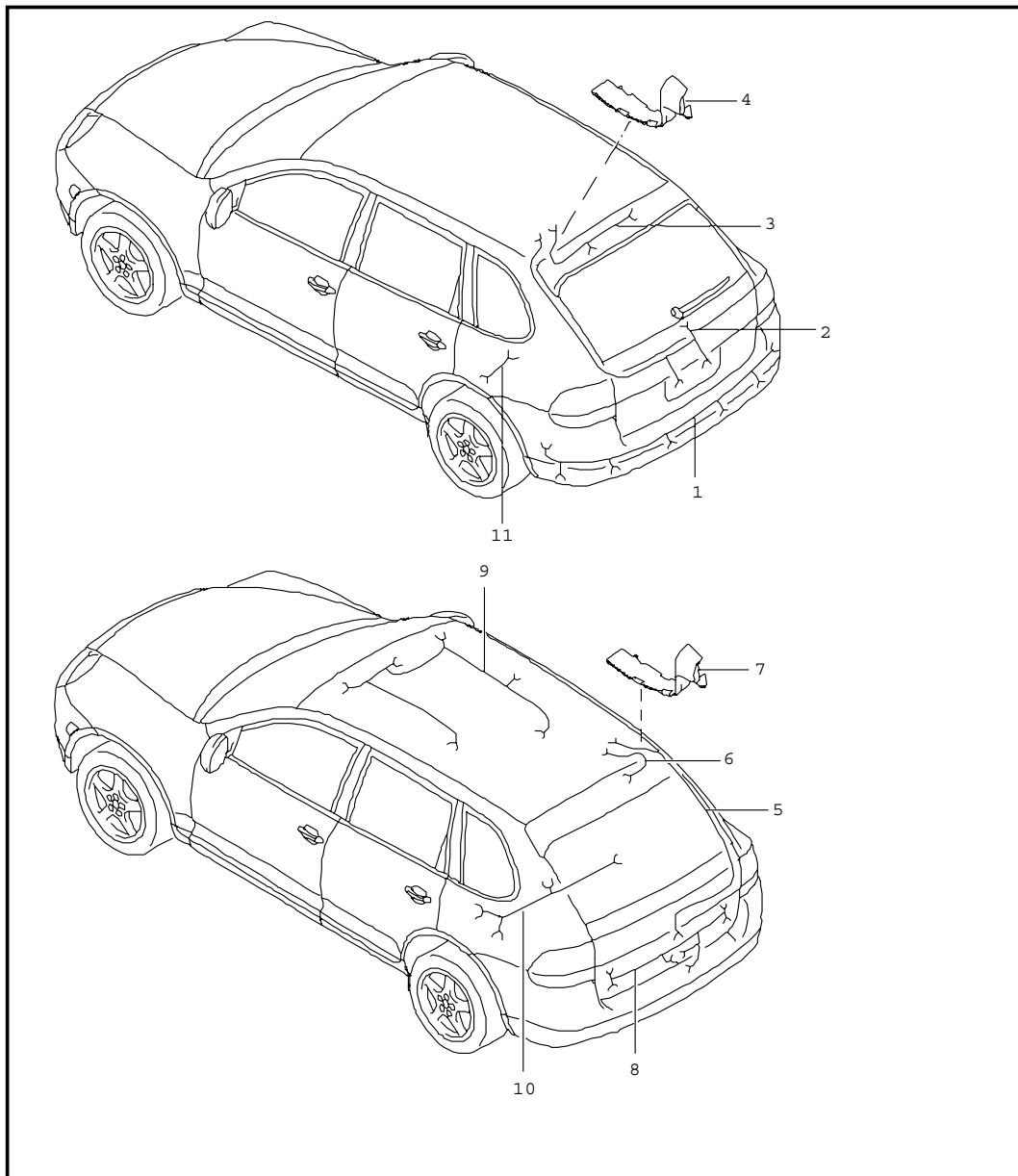
Pos	Part Number	Name	Remarks	Qty	Model	Pos	Part Number	Name	Remarks	Qty	Model
(8)	955 612 310 21	wiring harness front trunk F 9P4LA 82899>>		1	ID9L/7AL/7AK	12	N 904 449 01	tie-wrap 5 X 230		X	
(8)	955 612 312 00	wiring harness front trunk F >>9P4LA 82898	/RL	1	ID9L	13	955 612 931 00	cable clamp 193 X 4 - 45		X	
(8)	955 612 311 00	wiring harness front trunk F >>9P4LA 00508 F >>9P4LA 46986	/LL	1	ID9J/D9K			- - - E N D - - -			
(8)	955 612 311 21	wiring harness front trunk F 9P4LA 00509>> F 9P4LA 46987>>		1	ID9J/ID9K/ I7AL/I7AK						
(8)	955 612 313 00	wiring harness front trunk F >>9P4LA 00508 F >>9P4LA 46986 harnesses anti-lock brake system brake pad wear indicator front axle	/RL	1	ID9J/D9K						
9	955 612 321 00	wiring harness	/V	2	I1BA						
(9)	955 612 322 00	wiring harness F >>9P4LA 01525 F >>9P4LA 48415 F >>9P4LA 83739	/V	2	I1BK						
(9)	955 612 322 10	wiring harness F 9P4LA 01526>> F 9P4LA 48416>> F 9P4LA 83740>>	/V	2	I1BK						
-	955 612 330 00	protection cap self-levelling sensor		X							
10	955 612 325 00	wiring harness engine compartment lamp	-05	1							
10	955 612 325 10	wiring harness without engine compartment lamp tie-wrap for repair work	06-	1							
11	N 906 661 01	tie-wrap 4,6 X 200		X							

Model	Year	MG	SG	Illustration	Restrictions	Update	7:38	17.08.2006	PORSCHE	PET	PORSCHE
9pa	06	9	02	902-15		203					



Pos	Part Number	Name	Remarks	Qty	Model
		harnesses doors			
1	955 612 610 00	wiring harness wiper frame front		2	I4K0/4K3
(1)	955 612 611 00	wiring harness wiper frame front		2	I4F2/4F6
2	955 612 620 00	wiring harness door panel driver's door	-05	1	
2	955 612 620 10	wiring harness door panel driver's door	06-	1	
(2)	955 612 621 00	wiring harness door panel passenger's door		1	
3	955 612 630 00	wiring harness wiper frame rear		2	I4K0/4K3
(3)	955 612 631 00	wiring harness wiper frame rear		2	I4F2/4F6
4	955 612 640 00	wiring harness door panel rear		2	
5	955 612 645 00	wiring harness centre console		1	
		tie-wrap for repair work see group GR. 9/02/10			
		- - - E N D - - -			

Model	Year	MG	SG	Illustration	Restrictions	Update	7:38	17.08.2006	PORSCHE	PET	PORSCHE
9pa	06	9	02	902-20		203					

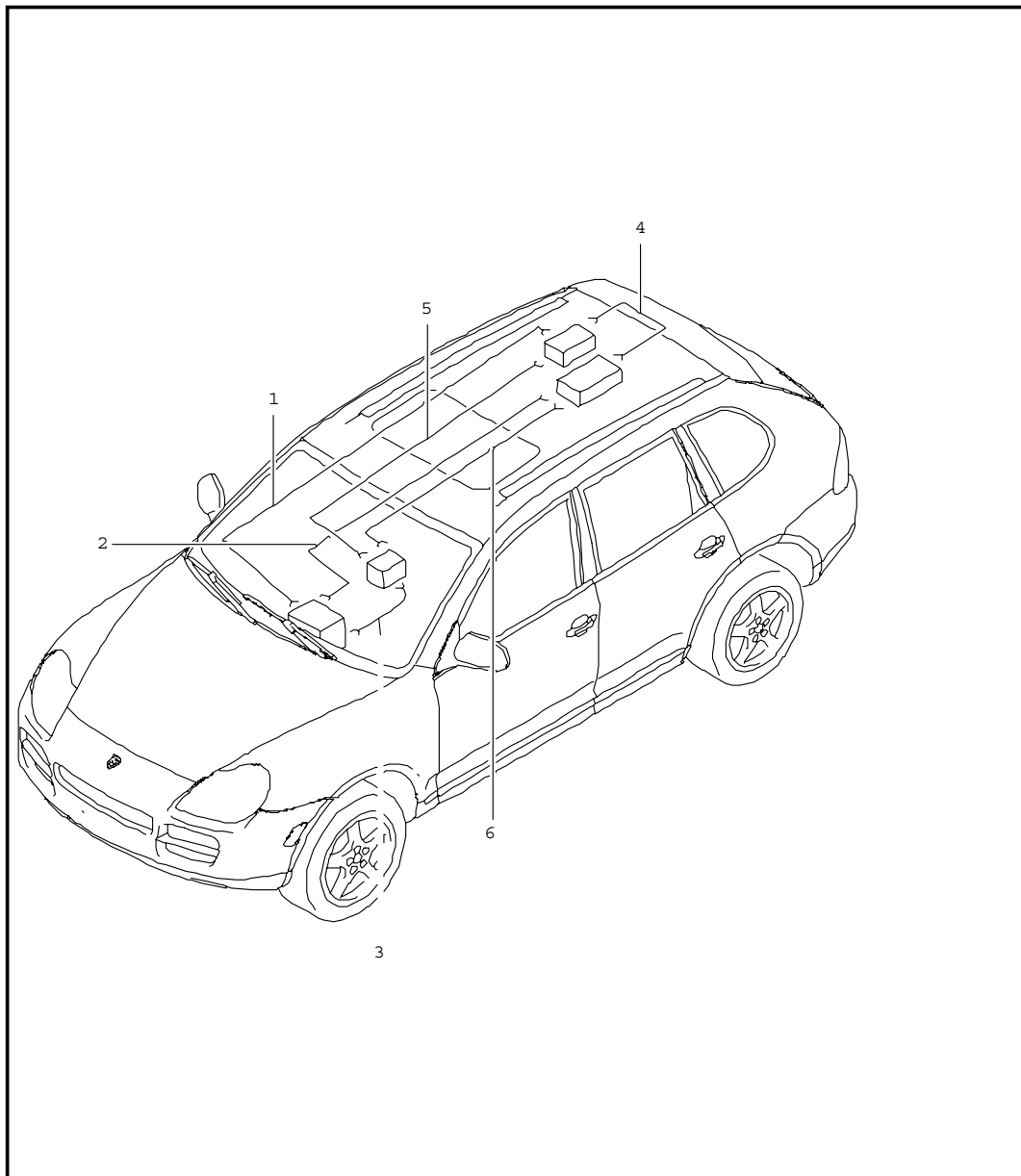


Pos	Part Number	Name	Remarks	Qty	Model
		harnesses rear end rooflining fuel tank anti-lock brake system brake pad wear indicator rear axle			
1	955 612 801 00	wiring harness bumper		1	I7X1/7X2
(1)	955 612 802 00	wiring harness bumper		1	
2	955 612 803 00	wiring harness rear lid left		1	
3	955 612 805 00	wiring harness rear window left	-04	1	I7VL/8L6/7Q2 I7T1/9ZP/9ZF I9W1
3	955 612 805 01	wiring harness rear window left	05-	1	I7VL/8L6/7Q2 I7T1/9ZP/9ZF I9W1
(3)	955 612 815 00	wiring harness rear window left		1	I7VL/8L6/7Q2 I7T1/9ZP/9ZF I9W1/QV1
4	955 612 849 00	cable guide rear lid left		1	
(4)	955 612 851 00	cable guide rear window left		1	
5	955 612 804 00	wiring harness rear lid right		1	I7X2
(5)	955 612 804 10	wiring harness rear lid right		1	I7X1/7X3
6	955 612 806 00	wiring harness rear window right	-04	1	I5D1
(6)	955 612 807 00	wiring harness rear window right	-04	1	I5D2/5D3
6	955 612 806 10	wiring harness rear window right	05-	1	I5D1

Model	Year	MG	SG	Illustration	Restrictions	Update					
9pa	06	9	02	902-20		203	7:38	17.08.2006	PORSCHE	PET	PORSCHE

Pos	Part Number	Name	Remarks	Qty	Model	Pos	Part Number	Name	Remarks	Qty	Model
(6)	955 612 807 10	wiring harness rear window right	05-	1	I5D2/5D3						
7	955 612 850 00	cable guide rear lid right		1							
(7)	955 612 852 00	cable guide rear window right		1							
8	955 612 810 00	wiring harness lining rear lid		1							
9	955 612 808 00	wiring harness rooflining		1	I7X1/7X2/3FE						
(9)	955 612 809 00	wiring harness rooflining		1	I3FU/7X1/7X2						
(9)	955 612 025 00	wiring harness control unit switch		1	I3FU						
10	955 612 811 00	wiring harness fuel tank harnesses anti-lock brake system brake pad wear indicator rear axle		1							
11	955 612 821 00	wiring harness	/H	2	I1BA						
(11)	955 612 822 00	wiring harness wiring harness bracket spare wheel outer see group 0/02/05 tie-wrap for repair work see group 9/02/10 - - - E N D - - -	/H	2	I1BK						

Model	Year	MG	SG	Illustration	Restrictions	Update	7:38	17.08.2006	PORSCHE	PET	PORSCHE
9pa	06	9	02	902-50		203					



Pos	Part Number	Name	Remarks	Qty	Model
		optical waveguide	-04		
1	955 642 301 00	optical waveguide radio booster	/LL	1	
(1)	955 642 307 00	optical waveguide radio booster	/RL	1	
2	955 642 302 00	optical waveguide radio cd changer	/LL	1	
(2)	955 642 308 00	optical waveguide radio cd changer	/RL	1	
3	955 642 303 00	optical waveguide radio telephone	/LL	1	
(3)	955 642 309 00	optical waveguide radio telephone	/RL	1	
4	955 642 304 00	optical waveguide booster cd changer		1	
5	955 642 305 00	optical waveguide booster telephone		1	
6	955 642 306 00	optical waveguide cd changer telephone		1	
7	955 642 321 00	connector optical waveguide		X	
		- - - E N D - - -			

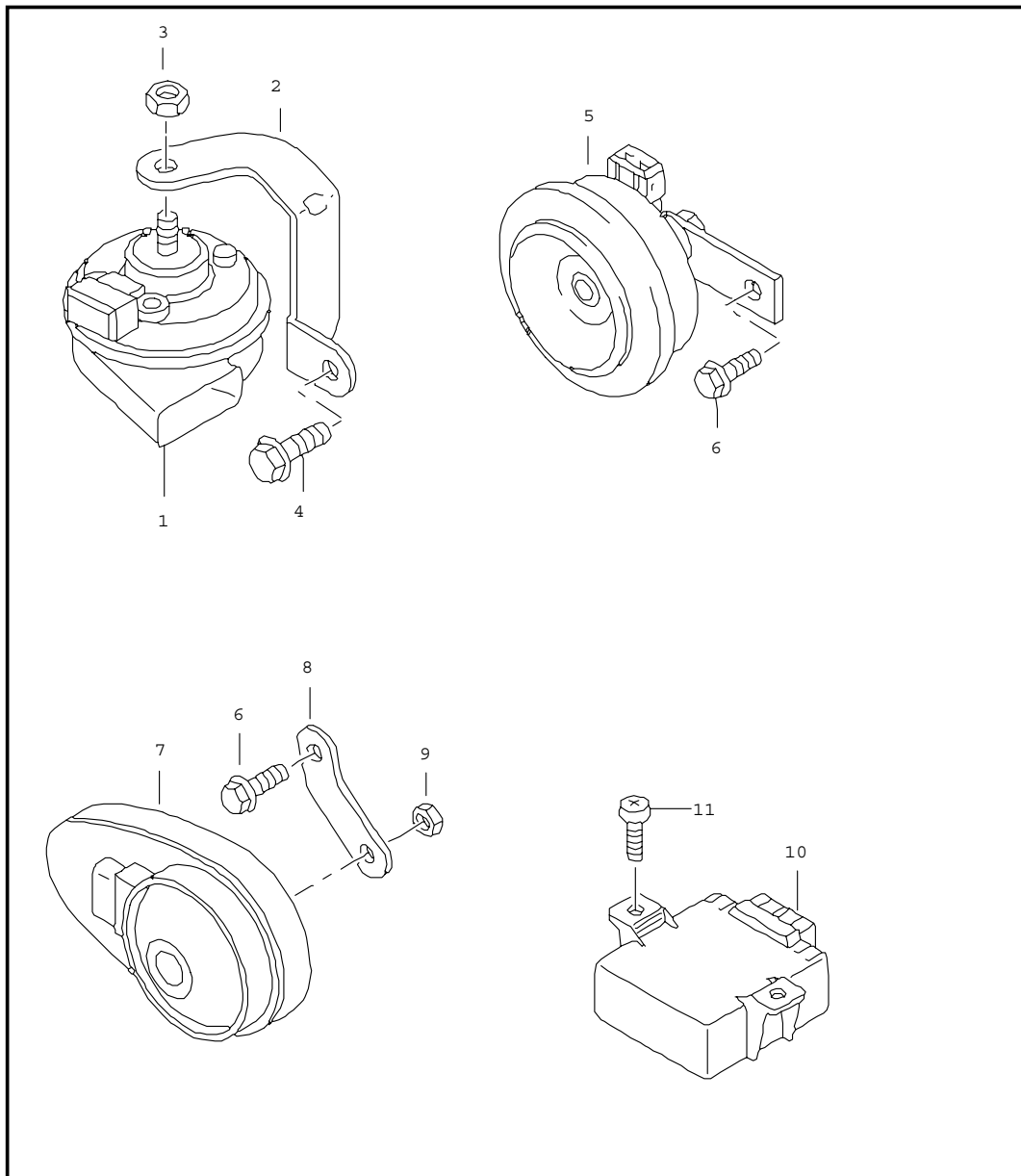
Model	Year	MG	SG	Illustration	Restrictions	Update	7:38	17.08.2006
9pa	06	9	02	902-51		203		

Pos	Part Number	Name	Remarks	Qty	Model
-	955 622 300 00	optical waveguide module radio cd changer	05-	1	I8DU/7A2
-	955 622 301 00	optical waveguide module radio cd changer booster		1	I8DU/9VL/7A2
-	955 622 302 00	optical waveguide module control part navigation system cd changer		1	I8DQ/8DV/7A2 I9ZF/9ZT/7T1
-	955 622 303 00	optical waveguide module control part navigation system cd changer booster		1	I8DQ/8DV/9VL I7A2/9ZF/9ZT I7T1
-	955 622 304 00	optical waveguide module control part navigation system telephone cd changer		1	I8DQ/8DV/7A2 I9W1/9ZP/7T1
-	955 622 305 00	optical waveguide module control part navigation system telephone cd changer booster		1	I8DQ/8DV/9VL I7A2/9W1/9ZP I7T1
-	955 622 306 00	optical waveguide module control part navigation system tv cd changer		1	I8DQ/8DV/7A2 IQV1/9ZF/9ZT I7T1
-	955 622 307 00	optical waveguide module control part navigation system cd changer booster		1	I8DQ/8DV/7A2 I9VL/QV1/9ZF I9ZT/7T1

Model	Year	MG	SG	Illustration	Restrictions	Update	7:38	17.08.2006
9pa	06	9	02	902-51		203		

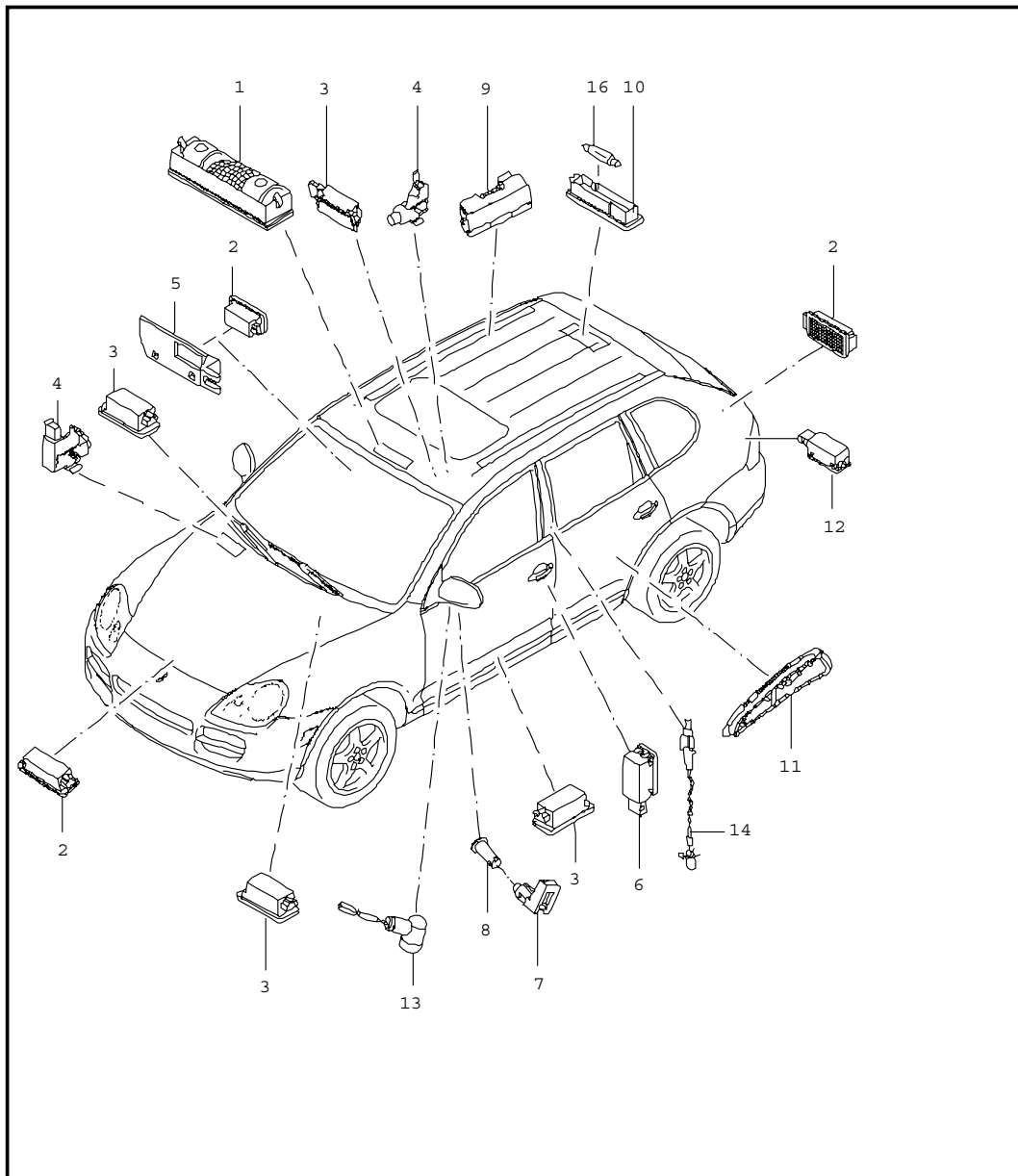
Pos	Part Number	Name	Remarks	Qty	Model
-	955 622 308 00	optical waveguide module control part navigation system telephone tv cd changer		1	I8DQ/8DV/7A2 IQV1/9W1/9ZP I7T1
-	955 622 309 00	optical waveguide module control part navigation system telephone tv cd changer booster		1	I8DQ/8DV/7A2 I9VL/QV1/9W1 I9ZP/7T1
-	999 650 039 40	connector optical waveguide		X	
-	999 650 091 40	bridge optical waveguide		X	
- - - E N D - - -					

Model	Year	MG	SG	Illustration	Restrictions	Update	7:38	17.08.2006	PORSCHE	PET	PORSCHE
9pa	06	9	03	903-00		203					



Pos	Part Number	Name	Remarks	Qty	Model
		fanfare horn alarm siren			I7AK I7AL
1	955 635 205 00	fanfare low-pitched	/L	1	
(1)	955 635 206 00	fanfare high-pitched	/R	1	
2	955 635 161 00	support	/L	1	
(2)	955 635 160 00	support	/R	1	
3	N 011 006 24	hexagon nut M 6		2	
4	N 019 519 4	hexagon-head bolt M 8 X 16		2	
5	A 955 637 117 00	horn		1	I7AK
5	955 637 117 01	horn		1	I7AK
6	N 102 252 01	screw M 8 X 12		1	
7	A 955 618 237 00	alarm siren		1	I7AK/7AL/4F6 I4K0
7	955 618 237 01	alarm siren		1	I7AK/7AL/4F6 I4K0
8	A 955 637 150 00	support		1	
8	955 637 150 01	support		1	
9	955 618 238 00	nut		1	
10	955 618 265 00	control unit tilt sensor		1	
11	N 104 648 02	oval-head screw 4,0 X 12		2	
- - - E N D - - -					

Model	Year	MG	SG	Illustration	Restrictions	Update	7:39	17.08.2006	PORSCHE	PET	PORSCHE
9pa	06	9	03	903-04		203					

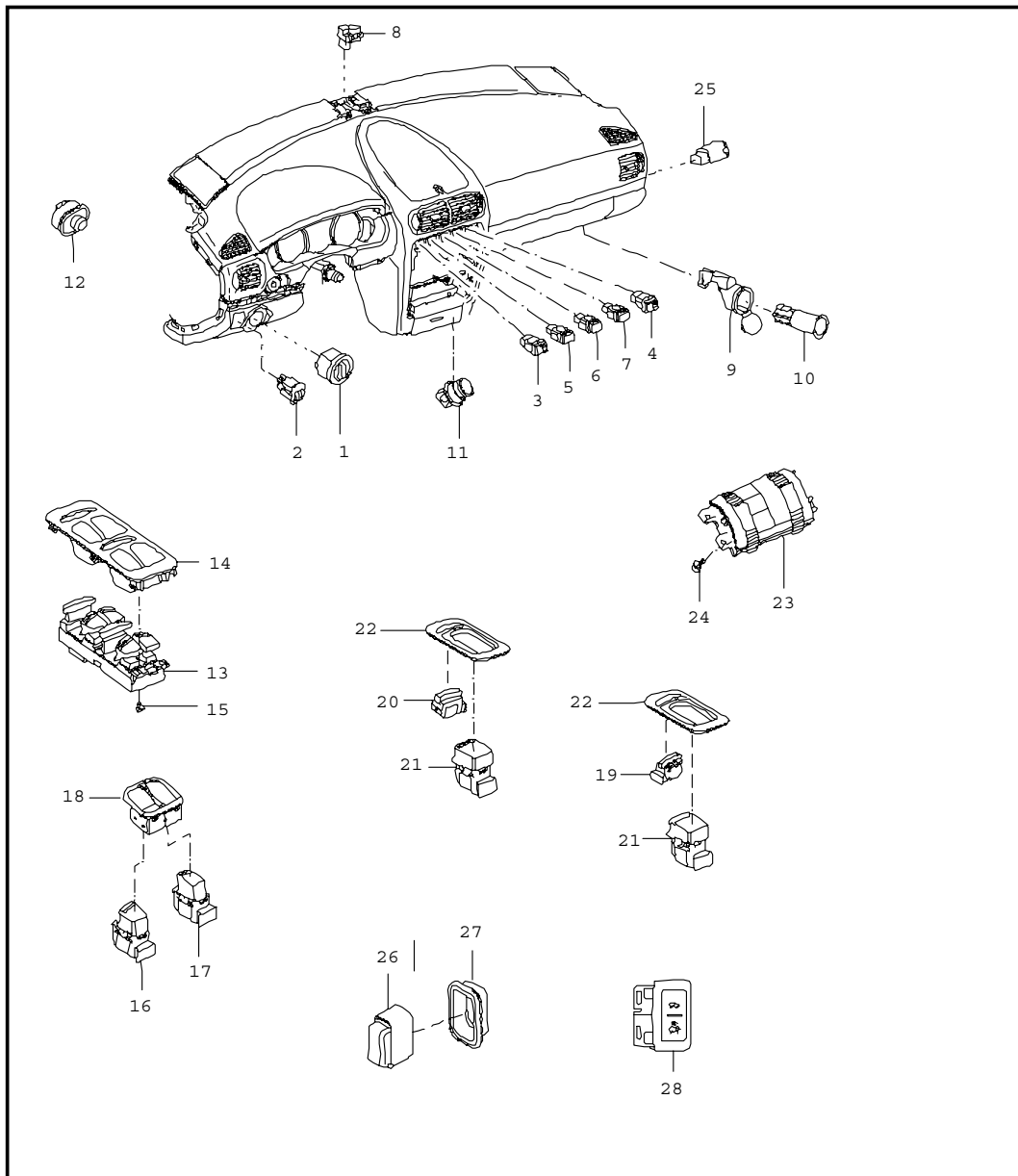


Pos	Part Number	Name	Remarks	Qty	Model
		interior lights engine compartment lamp luggage boot lamp door guard light floor light light door mirror			
1	955 632 051 00	interior light		1	
2	955 632 201 00	light	-05	3	
3	955 632 202 01	interior light		10	
4	955 613 601 00	contact switch glove compartment light and centre console		2	
5	955 632 240 00	bracket for light seat		2	
6	955 632 203 01	door guard light		4	
7	955 632 204 00	light yellow finger plate door		4	
(7)	955 632 204 00	light yellow		2	I9JB
(7)	955 632 218 00	indicator light red door alarm system		2	
8	955 632 242 00	sleeve		6	
	01C	satin black			
(9)	955 632 205 00	reading light rear	/L	1	
	6N3	black mat			
9	955 632 206 00	reading light rear	/R	1	
	6N3	black mat			
10	955 632 207 00	luggage boot lamp		1	
11	955 632 211 00	light door front use also: 2 X N.906.487.02	/L	1	I9MB

Model	Year	MG	SG	Illustration	Restrictions	Update					
9pa	06	9	03	903-04		203	7:39	17.08.2006	PORSCHE	PET	PORSCHE

Pos	Part Number	Name	Remarks	Qty	Model	Pos	Part Number	Name	Remarks	Qty	Model
(11)	955 632 212 00	light door front use also: 2 X N.906.487.02	/R	1	I9MB						
(11)	955 632 213 00	light door rear use also: 2 X N.906.487.02	/L	1	I9MB						
(11)	955 632 214 00	light door rear use also: 2 X N.906.487.02	/R	1	I9MB						
12	955 632 216 01	door guard light rear lid		2							
13	955 632 221 00	light door mirror	/L	1	I9TF						
(13)	955 632 222 00	light door mirror	/R	1	I9TF						
14	955 632 217 00	light air vent b-pillar		2							
14	955 632 217 00	light air vent b-pillar	06-	2	I9AH						
15	W 999 631 032 90	bulb 5 W		X							
(15)	W 900 631 019 90	bulb 3 W		X							
16	900 631 106 90	bulb 10W		1							
- - - E N D - - -											

Model	Year	MG	SG	Illustration	Restrictions	Update	7:39	17.08.2006	PORSCHE	PET	PORSCHE
9pa	06	9	03	903-05		203					



Pos	Part Number	Name	Remarks	Qty	Model
1	955 613 235 02	switch light switch		1	I8K0/8K1/8K4
	6N3	black mat			
(1)	955 613 235 03	light switch		1	I8K3/I8K5/ I8K8/I8K9
	6N3	black mat			
2	955 613 230 00	potentiometer		1	I8Q1
	6N3	black mat			
(2)	955 613 231 00	potentiometer		1	I8Q3
	6N3	black mat			
3	955 613 151 00	switch seat heater		1	I4A3
	6N3	black mat		2	I4A4
4	955 613 152 00	switch seat heater		1	I4A3
	6N3	black mat		2	I4A4
5	955 613 153 00	switch - PSM -		1	
	6N3	black mat			
6	955 613 254 00	hazard warning light sw.		1	
	6N3	black mat			
7	955 653 252 01	indicator light		1	I4UE
7	955 653 252 01	indicator light	06-	1	I4UE/I4UQ
(7)	955 613 425 00	cover		1	I4UB/I4UD
8	955 653 251 00	sensor		1	I9AD/I9AH
9	955 652 104 00	tensioning sleeve with illumination and cover		2	
(9)	955 652 105 00	tensioning sleeve centre console with illumination		2	

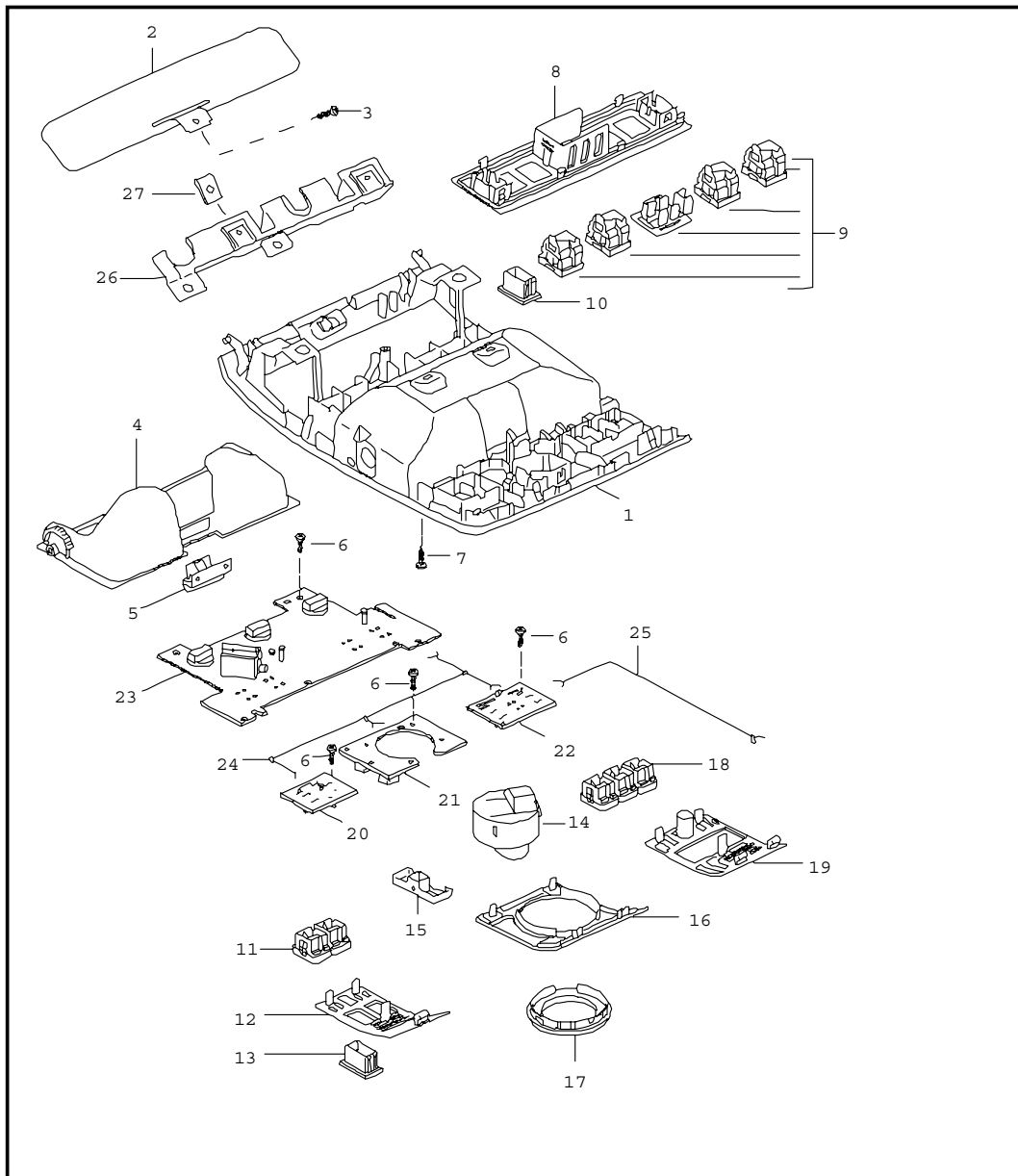
Model	Year	MG	SG	Illustration	Restrictions	Update	7:39	17.08.2006	PORSCHE	PET	PORSCHE
9pa	06	9	03	903-05		203					

Pos	Part Number	Name	Remarks	Qty	Model	Pos	Part Number	Name	Remarks	Qty	Model
(9)	955 652 106 00	tensioning sleeve luggage compartment with cover		2		20	955 613 160 00	switch central locking system	/R	2	
10	955 652 107 00	socket		X			6N3	black mat			
11	955 652 201 00	cigarette lighter		2		21	955 613 162 00	switch power windows		3	
	01C	satin black					6N3	black mat			
12	955 613 154 00	switch door mirror		1		22	955 613 253 00	trim for switch		3	
	6N3	black mat					A03	black			
13	955 613 156 01	control switch driver's side		1			5Y2	palmgreen			
14	955 613 251 00	trim for switch driver's side		1			5Z1	sand beige			
	A03	black					7BA	steel grey			
	5Y2	palmgreen				23	955 613 157 00	switch adjustment running gear		1	I0AB/OBB/1BK
	5Z1	sand beige				(23)	955 613 157 20	switch adjustment running gear		1	I0AB/OBB/1BA
	7BA	steel grey				(23)	955 613 157 40	switch adjustment running gear		1	I0AG/OBJ/1BK
15	N 903 474 01	screw 4 X 12		4		(23)	955 613 157 50	switch adjustment running gear		1	I0AG/OBJ/1BA
16	955 613 158 00	switch fuel filler flap	-05	1		24	N 104 561 01	pan-head screw M4 X 10		4	
	6N3	black mat				25	955 613 165 01	switch airbag	-05	1	I4UE
17	955 613 159 00	switch rear lid unlocking device	-05	1			B41	satin black			
	6N3	black mat				25	955 613 165 02	switch airbag	06-	1	
18	955 613 252 00	trim for switch	-05	1			9B9	satin black			
	A03	black				26	955 613 164 00	switch trailer coupling electrically adjustable		1	I1D9
	5Y2	palmgreen					6N3	black mat			
	5Z1	sand beige				27	955 613 166 00	trim for switch		1	I1D9
	7BA	steel grey					01C	satin black			
19	955 613 161 00	switch central locking system	/L	1							
	6N3	black mat									

Model	Year	MG	SG	Illustration	Restrictions	Update					
9pa	06	9	03	903-05		203	7:39	17.08.2006	PORSCHE	PET	PORSCHE

Pos	Part Number	Name	Remarks	Qty	Model	Pos	Part Number	Name	Remarks	Qty	Model
		- - - E N D - - -									

Model	Year	MG	SG	Illustration	Restrictions	Update	7:39	17.08.2006	PORSCHE	PET	PORSCHE
9pa	06	9	03	903-06		203					

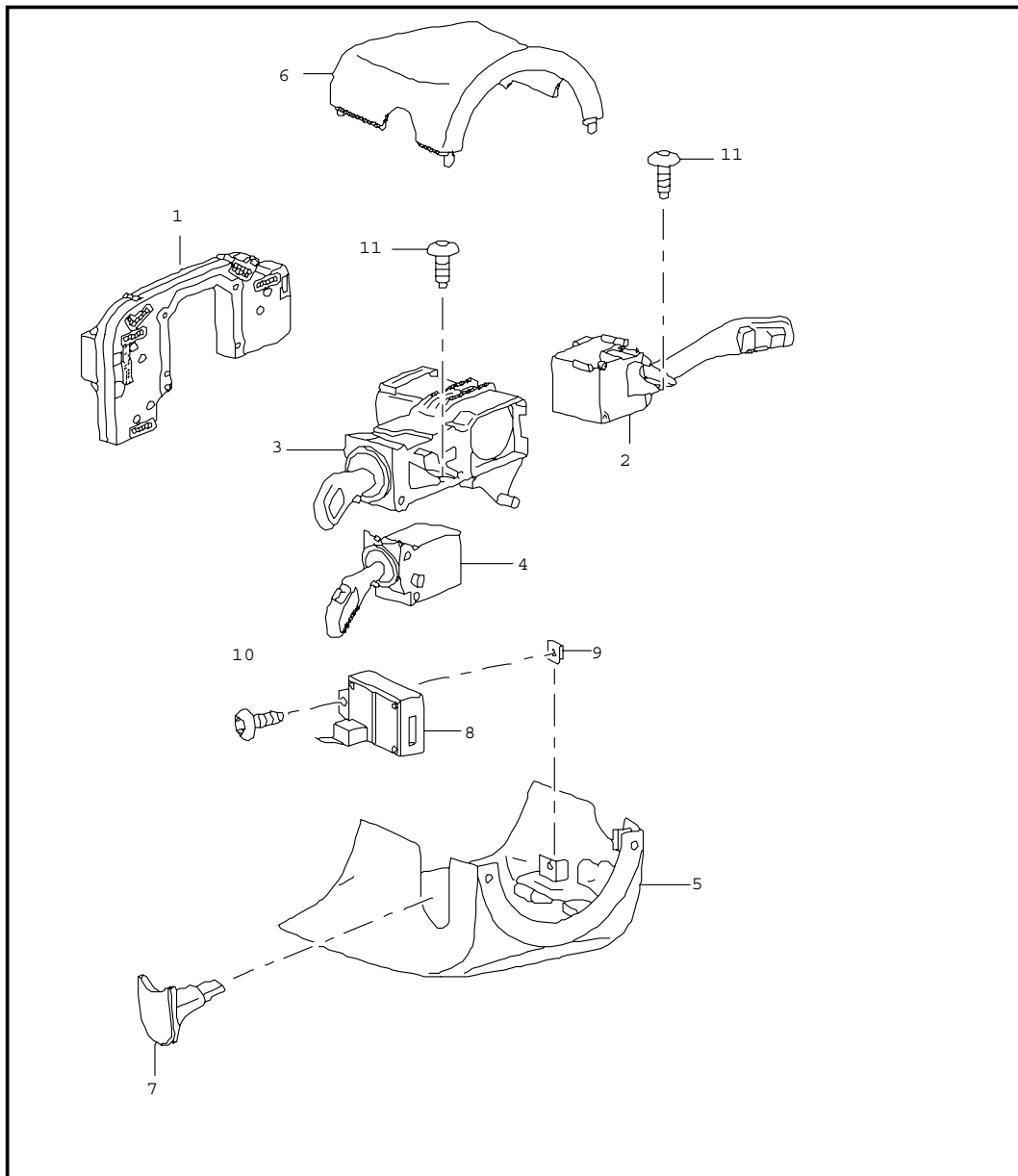


Pos	Part Number	Name	Remarks	Qty	Model
1	955 555 557 01	bracket roof		1	
		retaining frame			
		bracket roof			
	A03	black			ID9L
	5Y2	palmgreen			
	5Z1	sand beige			
	7BA	steel grey			
2	955 731 133 01	sun visor		1	
	A03	black			ID9L
	5Y2	palmgreen			
	5Z1	sand beige			
	7BA	steel grey			
3	N 105 150 02	lens-head screw 3 X 8		1	
4	955 552 317 01	shelf		1	
	A03	black			
5	955 552 318 01	push-button shelf		1	
	6N3	black mat			
6	N 909 151 01	lens-head screw 2,2 X 8		X	
7	N 909 868 01	tapping screw 4,2 X 13		4	
8	955 613 325 00	trim for switch		1	
	A03	black			
9	A 955 613 300 00	cap with symbol set		1	
	6N3	black mat			
9	955 613 300 01	cap with symbol set		1	
	6N3	black mat			
10	955 613 326 00	cover	-05	1	I9MA

Model	Year	MG	SG	Illustration	Restrictions	Update	7:39	17.08.2006	PORSCHE	PET	PORSCHE
9pa	06	9	03	903-06		203					

Pos	Part Number	Name	Remarks	Qty	Model	Pos	Part Number	Name	Remarks	Qty	Model
	A03	black				19	955 613 334 00	trim for switch		1	IVC1/VC2/9MB
11	955 613 317 00	cap with symbol		1	I7X2/9ZF/9ZT I9ZH/9ZP/9W1		A03	black			
	6N3	black mat				(19)	955 613 335 00	trim for switch		1	
12	955 613 327 01	trim for switch		1	I7X2/9W1/9ZH I9ZP/9ZF/9ZT		A03	black			
	A03	black				20	955 613 251 00	printed circuit board		1	
(12)	955 613 328 00	trim for switch		1		21	955 613 252 00	printed circuit board		1	I3FE
	A03	black				(21)	955 613 253 00	printed circuit board		1	I3FU
13	955 613 329 00	cover		1		22	955 613 254 00	printed circuit board		1	IVC1/VC2/9MB
	A03	black				23	955 613 250 00	printed circuit board		1	
14	955 613 310 00	switch sunroof		1	I3FE	24	955 612 501 00	harness		1	
	6N3	black mat				25	955 612 502 00	harness		1	IVC1/VC2/9MB
(14)	955 613 309 01	switch		1	I3FU	26	955 555 558 00	mounting piece bracket roof		1	
	6N3	black mat				27	N 101 734 01	speed nut 4,2 X 9,6		2	
15	955 613 311 00	cap with symbol sunroof		1	I3FU			sensor interior monitoring see group 9/01/04			
	6N3	black mat						control unit see group 9/01/04			IVC1/VC2
16	955 613 330 00	trim for switch		1	I3FE			interior light see group 9/03/04			
(16)	955 613 331 00	trim for switch		1	I3FU			microphone see group 9/11/00			
	A03	black						- - - E N D - - -			
(16)	955 613 333 00	trim for switch		1	I3FA						
	A03	black									
17	955 613 332 01	headlight unit		1	I3FE						
	A03	black									
(17)	955 613 338 00	headlight unit		1	I3FU						
	A03	black									
18	955 613 312 01	cap with symbol		1	IVC1/VC2/9MB						
	A03	black									

Model	Year	MG	SG	Illustration	Restrictions	Update	7:39	17.08.2006	PORSCHE	PET	PORSCHE
9pa	06	9	03	903-10		203					



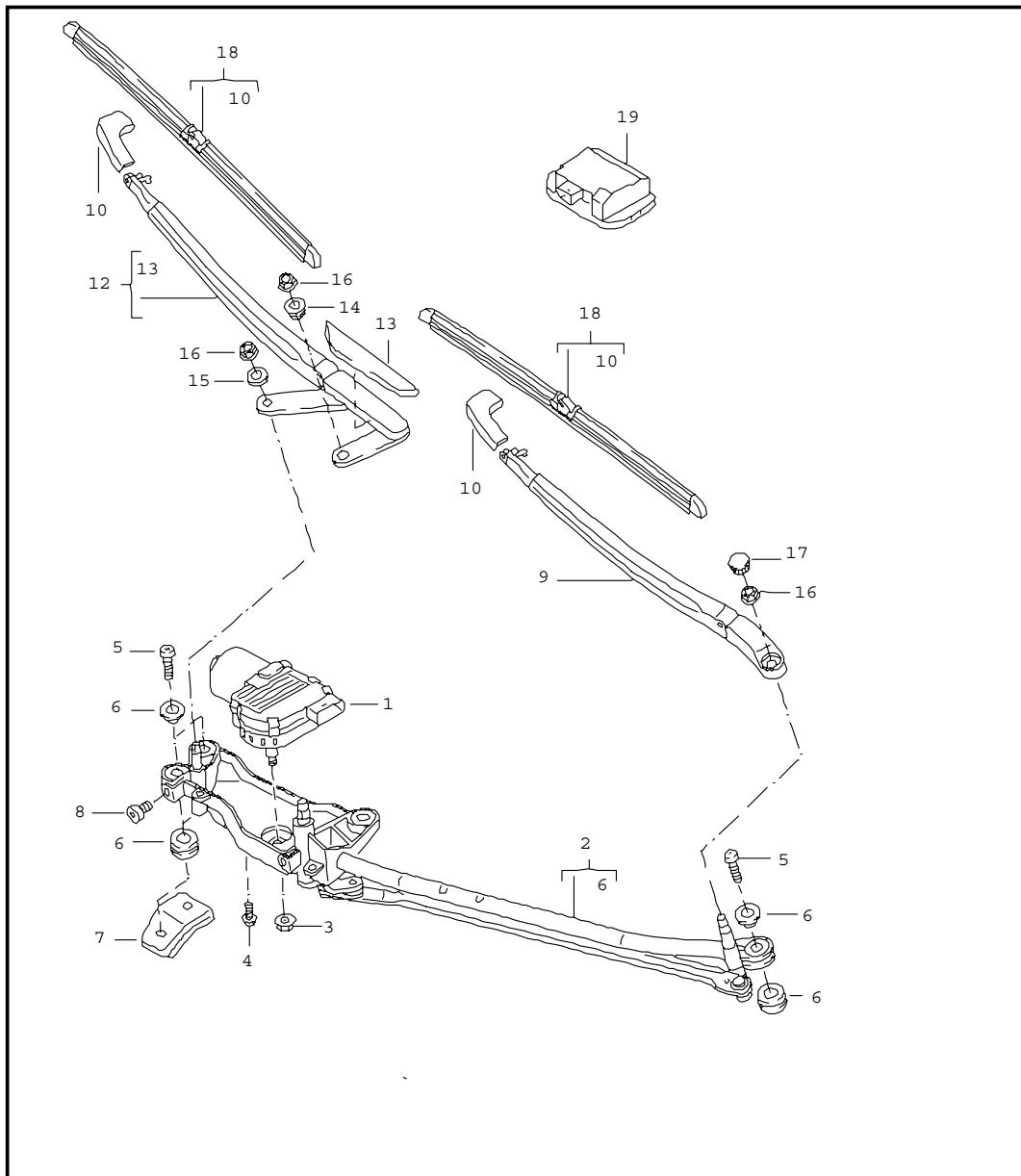
Pos	Part Number	Name	Remarks	Qty	Model
		steering column switch			
1	955 613 291 01	electronic unit		1	
(1)	955 613 292 01	electronic unit		1	I2PH
2	955 613 244 00	wiper switch	-05	1	
	B41	satin black			
2	955 613 244 01	wiper switch	06-	1	
	B41	satin black			
		order at same time			
-	WKD 948 810 06	enclosure german		1	ID9J/ID9K
-	WKD 948 910 06	enclosure german		1	ID9L
-	WKD 948 820 06	enclosure english		1	ID9J/ID9K
-	WKD 948 920 06	enclosure english		1	ID9L
-	WKD 948 830 06	enclosure french		1	ID9J/ID9K
-	WKD 948 930 06	enclosure french		1	ID9L
-	WKD 948 840 06	enclosure italian		1	ID9J/ID9K
-	WKD 948 940 06	enclosure italian		1	ID9L
-	WKD 948 850 06	enclosure spanish		1	ID9J/ID9K
-	WKD 948 950 06	enclosure spanish		1	ID9L
-	WKD 948 891 06	enclosure dutch		1	ID9J/ID9K
-	WKD 948 991 06	enclosure dutch		1	ID9L
-	WKD 948 892 06	enclosure swedish		1	ID9J/ID9K
-	WKD 948 992 06	enclosure swedish		1	ID9L

Model	Year	MG	SG	Illustration	Restrictions	Update					
9pa	06	9	03	903-10		203	7:39	17.08.2006	PORSCHE	PET	PORSCHE

Pos	Part Number	Name	Remarks	Qty	Model	Pos	Part Number	Name	Remarks	Qty	Model
-	WKD 948 821 06	enclosure us english		1	ID9J/ID9K		5V7	stone grey			
-	WKD 948 921 06	enclosure us english		1	ID9L		5Y2	palmgreen			
-	WKD 948 831 06	enclosure Frankokanadisch		1	ID9J/ID9K		5Y9	havanna			
-	WKD 948 931 06	enclosure Frankokanadisch		1	ID9L	7	955 552 278 00	cover	04-	1	
3	955 613 245 00	direction indicator switch		1			A03	black			
	B41	satin black					5V7	stone grey			
(3)	955 613 219 00	direction indicator switch		1	IQH1		5Y2	palmgreen			
	B41	satin black					5Y9	havanna			
							5Z1	sand beige	04-		
4	955 613 261 00	switch cruise control		1	I8T1	8	955 613 222 00	memory switch steering wheel		1	I2C4
	B41	satin black				9	N 906 988 01	speed nut 4,2 X 16 X 12		1	
-	N 909 068 01	torx screw M 2,5 X 2,6 X 43,5-D		X		10	N 906 986 01	tapping screw 4,2 X 16		1	I2C4
5	955 552 275 00	switch housing lower		1	I2C4	11	A N 105 263 01	oval-head screw 4 X 14		2	
	A03	black				11	N 910 239 01	oval-head screw 3,5 X 12		2	
	5V7	stone grey									
	5Y2	palmgreen									
	5Y9	havanna									
	5Z1	sand beige	04-								
(5)	955 552 276 01	switch housing lower		1	I2C5						
	A03	black									
	5V7	stone grey									
	5Y2	palmgreen									
	5Y9	havanna									
	5Z1	sand beige	04-								
6	955 552 277 00	switch housing upper		1							
	A03	black									

- - - E N D - - -

Model	Year	MG	SG	Illustration	Restrictions	Update	7:40	17.08.2006	PORSCHE	PET	PORSCHE
9pa	06	9	04	904-00		203					



Pos	Part Number	Name	Remarks	Qty	Model
1	955 624 105 01	windscreen wiper system rain sensor			
		wiper motor	/LL	1	
		F >>9P5LA 04171			
		F >>9P5LA 44732			
		F >>9P5LA 82188			
(1)	955 624 105 06	wiper motor	/RL	1	
		F >>9P5LA 04171			
		F >>9P5LA 44732			
		F >>9P5LA 82188			
1	955 624 105 02	wiper motor	/LL	1	
		F 9P5LA 04172>>			
		F 9P5LA 44733>>			
		F 9P5LA 82189>>			
(1)	955 624 105 07	wiper motor	/RL	1	
		F 9P5LA 04172>>			
		F 9P5LA 44733>>			
		F 9P5LA 82189>>			
2	955 628 137 00	crank drive	/LL	1	
(2)	955 628 138 00	crank drive	/RL	1	
3	N 902 291 01	hexagon nut M 8		1	
4	N 909 434 01	oval-head screw M 6 X 16		3	
5	N 105 355 01	pan-head screw M 6 X 30		4	
6	955 628 711 00	repair kit comprising:		1	
-	-	bush 13,6 MM		2	
-	-	bush 6,4 X 13,6 MM		1	
-	-	bush 6,4 MM		1	
-	-	grommet		4	
7	955 628 717 00	bracket	/LL	1	
(7)	955 628 718 00	bracket	/RL	1	
8	955 628 035 00	screw M 6 X 10		2	

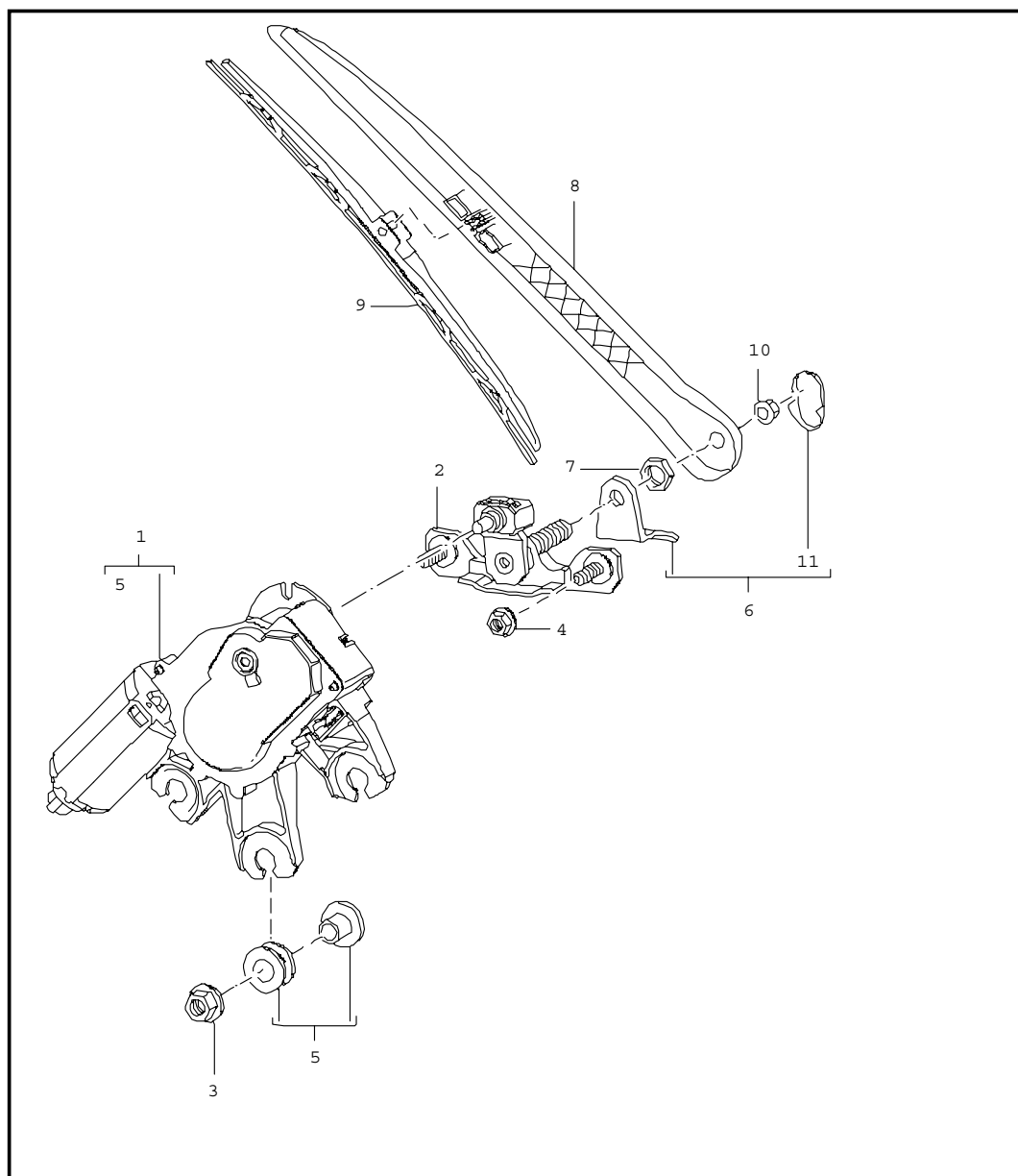
Model	Year	MG	SG	Illustration	Restrictions	Update	7:40	17.08.2006	PORSCHE	PET	PORSCHE
9pa	06	9	04	904-00		203					

Pos	Part Number	Name	Remarks	Qty	Model	Pos	Part Number	Name	Remarks	Qty	Model
9	U 955 628 028 11	wiper arm driver's side	/LL	1		(18)	955 628 941 00	wiper blade set driver's side passenger's side with cover	/RL	1	
9	955 628 028 12	wiper arm driver's side	/LL	1							
(9)	U 955 628 027 11	wiper arm driver's side	/RL	1		19 A	955 618 506 00	rain sensor		1	I4GF/8K3/8K5 I8K8/8K9
(9)	955 628 027 12	wiper arm driver's side	/RL	1				F >>9P5LA 04171 F >>9P5LA 44732 F >>9P5LA 82188			
10	955 628 306 01	cover	/LL	2		19	955 618 506 01	rain sensor		1	I4GF/8K3/8K5 I8K8/8K9
(10)	955 628 307 01	cover	/RL	2				F >>9P5LA 04171 F >>9P5LA 44732 F >>9P5LA 82188			
11	955 628 317 00	securing clip cover	-04	2							
12	U 955 628 029 11	wiper arm passenger's side	/LL	1		(19) A	955 618 506 10	rain sensor		1	I4GF
12	955 628 029 12	wiper arm passenger's side	/LL	1				F >>9P5LA 04171 F >>9P5LA 44732 F >>9P5LA 82188			
(12)	U 955 628 026 11	wiper arm passenger's side	/RL	1		(19)	955 618 506 11	rain sensor		1	I4GF
(12)	955 628 026 12	wiper arm passenger's side	/RL	1				F >>9P5LA 04171 F >>9P5LA 44732 F >>9P5LA 82188			
13	955 628 308 01	cover	/LL	1		(19) A	955 618 507 00	rain sensor		1	I4GY/8K3/8K5 I8K8/8K9
(13)	955 628 309 01	cover	/RL	1				F >>9P5LA 04171 F >>9P5LA 44732 F >>9P5LA 82188			
14	955 628 313 00	cone washer		1		(19)	955 618 507 01	rain sensor		1	I4GY/8K3/8K5 I8K8/8K9
15	955 628 312 00	washer		1				F >>9P5LA 04171 F >>9P5LA 44732 F >>9P5LA 82188			
16	N 102 613 05	hexagon nut M 10		3		(19) A	955 618 507 10	rain sensor		1	I4GY
17	955 628 305 01	cap driver's side		1				F >>9P5LA 04171 F >>9P5LA 44732 F >>9P5LA 82188			
(17)	955 628 305 02	cap passenger's side		2		(19)	955 618 507 11	rain sensor		1	I4GF
18	955 628 939 00	wiper blade set driver's side passenger's side with cover	/LL	1		(19) A	955 618 516 00	rain sensor		1	I4GF/8N3
								F 9P5LA 04172>> F 9P5LA 44733>> F 9P5LA 82189>>			

Model	Year	MG	SG	Illustration	Restrictions	Update							
9pa	06	9	04	904-00		203	7:40	17.08.2006	PORSCHE	PET	PORSCHE		

Pos	Part Number	Name	Remarks	Qty	Model	Pos	Part Number	Name	Remarks	Qty	Model
(19)	955 618 517 00	rain sensor F 9P5LA 04172>> F 9P5LA 44733>> F 9P5LA 82189>>		1	I4GY/8N3						
(19)	955 618 518 00	rain sensor F 9P5LA 04172>> F 9P5LA 44733>> F 9P5LA 82189>> - - - E N D - - -		1	I4GF/4GY/8N3						

Model	Year	MG	SG	Illustration	Restrictions	Update	7:40	17.08.2006	PORSCHE	PET	PORSCHE
9pa	06	9	04	904-05		203					

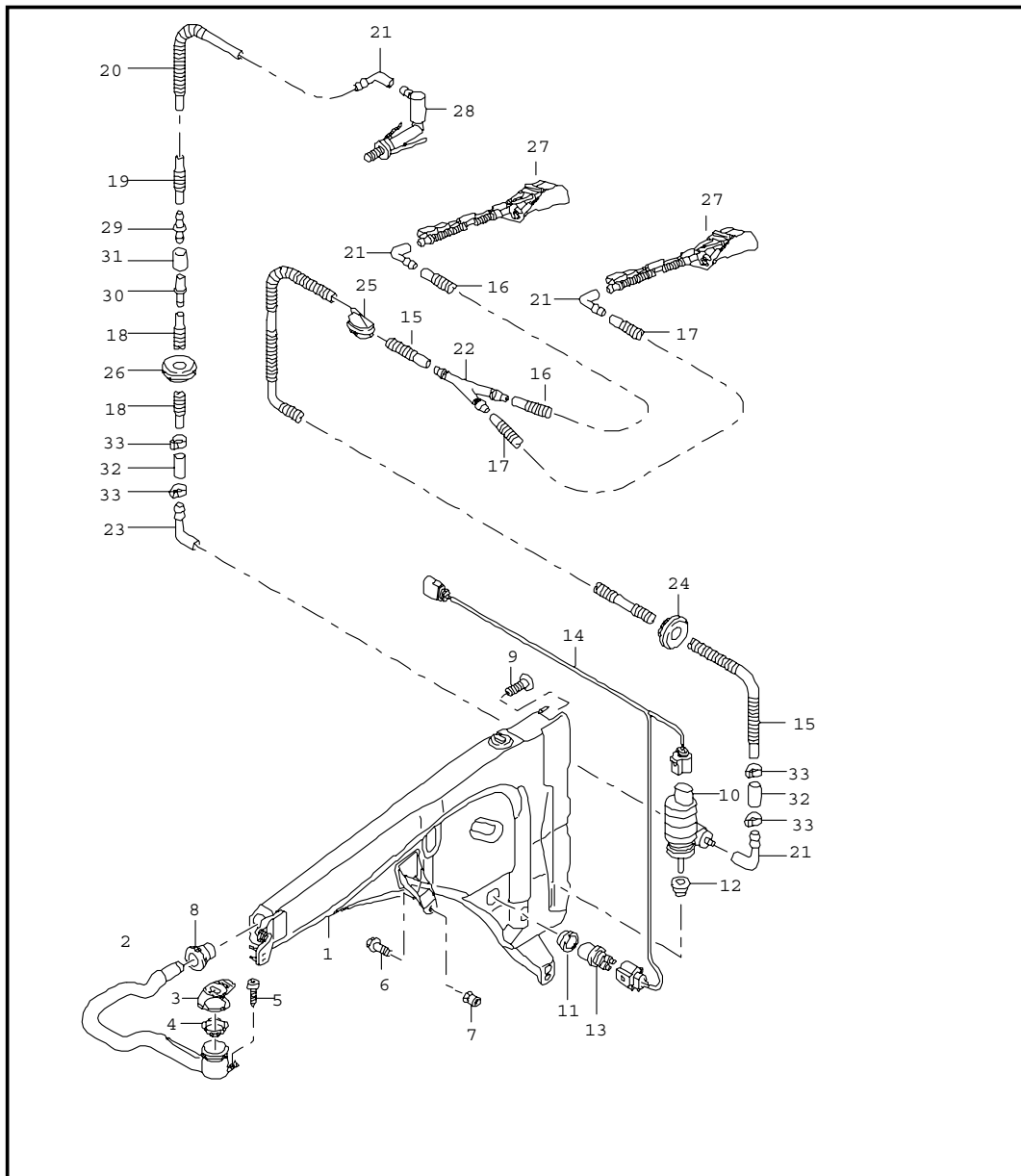


Pos	Part Number	Name	Remarks	Qty	Model
		rear window wiper			
1	A 955 628 080 02	wiper motor		1	
1	955 628 080 03	wiper motor		1	
2	U 955 628 090 01	crank drive		1	
2	955 628 090 02	crank drive		1	
3	N 907 143 01	hexagon nut M 6		3	
4	N 902 158 02	hexagon nut M 6		2	
5	955 628 721 00	repair kit comprising:		1	
-	-	grommet		3	
-	-	bush		3	
6	U 955 628 120 03	tip switch when required order also: DECKEL 955.628.125.00		1	IQL3/IQL5
6	U 955 628 120 04	tip switch when required order also: DECKEL 955.628.125.00		1	IQL3/IQL5
6	955 628 320 00	tip switch complete		1	IQL3/IQL5
(6)	U 955 628 121 03	tip switch when required order also: DECKEL 955.628.125.00		1	IQL6
(6)	U 955 628 121 04	tip switch when required order also: DECKEL 955.628.125.00		1	IQL6
6	955 628 321 00	tip switch complete		1	IQL6
7	N 021 284 5	hexagon nut M 18 X 1,5		1	
8	955 628 040 01	wiper arm when required order also: DECKEL 955.628.125.00		1	
9	955 628 050 00	wiper blade		1	
10	N 011 008 30	hexagon nut M 8		1	
11	A 955 628 125 00	cover		1	

Model	Year	MG	SG	Illustration	Restrictions	Update					
9pa	06	9	04	904-05		203	7:40	17.08.2006	PORSCHE	PET	PORSCHE

Pos	Part Number	Name	Remarks	Qty	Model	Pos	Part Number	Name	Remarks	Qty	Model
11	955 628 125 01	cover		1							
		- - - E N D - - -									

Model	Year	MG	SG	Illustration	Restrictions	Update	7:40	17.08.2006	PORSCHE	PET	PORSCHE
9pa	06	9	04	904-10		203					

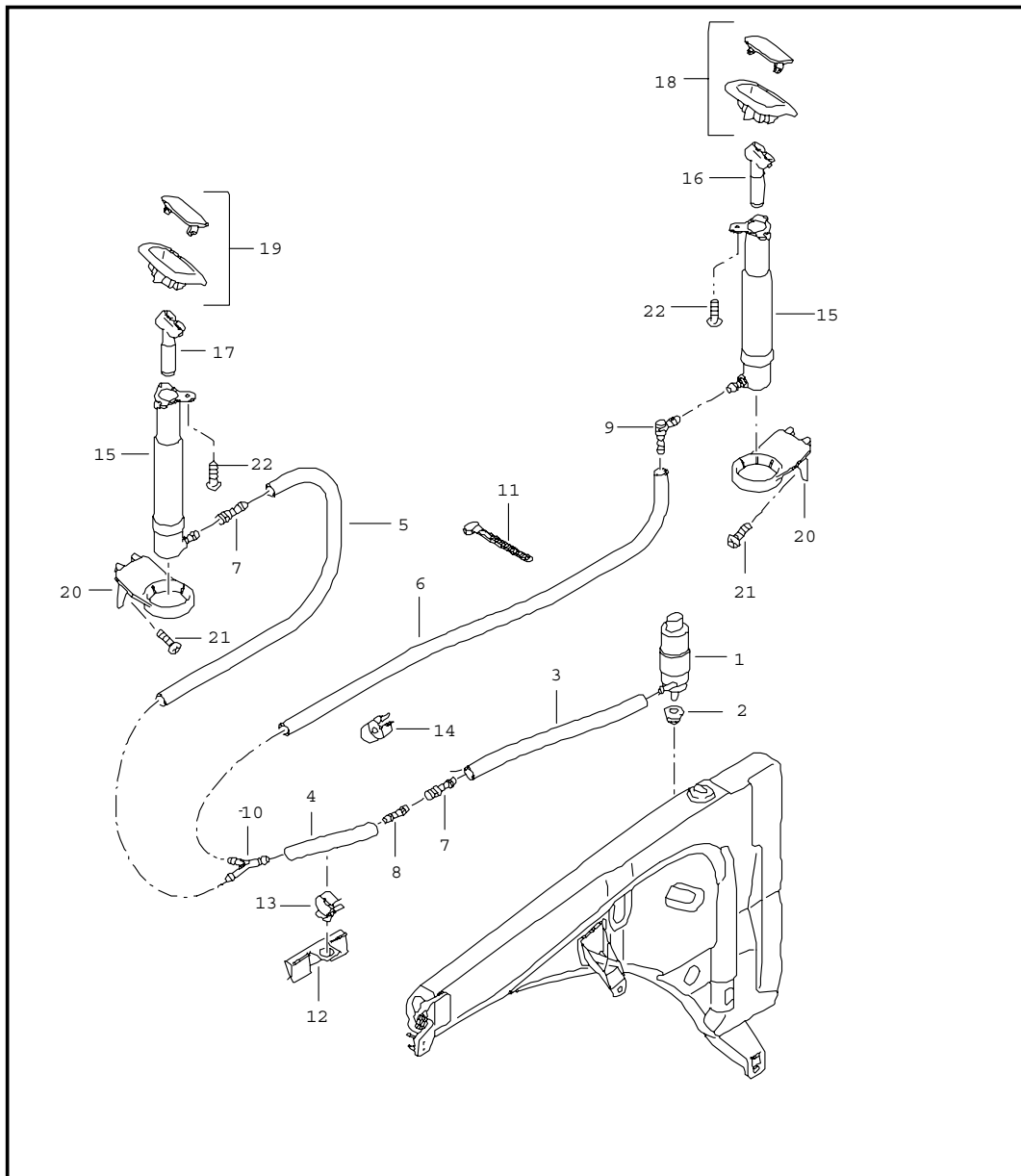


Pos	Part Number	Name	Remarks	Qty	Model
		windscreen washer system			
1	955 528 701 03	water reservoir		1	I8X1
(1)	955 528 702 01	water reservoir		1	I8X0
2	955 528 605 02	filler neck		1	
3	955 528 607 01	cover		1	
4	955 528 606 02	strainer		1	
5	N 906 986 03	tapping screw 4,2 X 16		1	
6	N 908 204 01	screw M 6 X 16		2	
7	N 908 051 01	blind rivet nut M 6 / 0,8		2	
8	955 528 711 01	gasket filler neck		1	
9	955 628 710 00	rubber sleeve see technical information GR. 9 , NR. 2/04		1	
(9)	955 528 720 00	retaining bracket GRV prime coated see technical information GR. 9 , NR. 2/04		1	
10	955 628 172 00	pump		1	
11	955 628 105 00	tank gauge		1	
12	955 628 712 00	gasket		1	
13	955 528 721 00	gasket		1	
14	955 612 700 00	wiring harness		1	
-	955 628 130 00	hose 6,0 X 1,0 10000 MM		X	
15	-	1155 MM		1	
16	-	100 MM		1	
17	-	700 MM		1	
18	-	807 MM		1	
19	-	2700 MM		1	

Model	Year	MG	SG	Illustration	Restrictions	Update					
9pa	06	9	04	904-10		203	7:40	17.08.2006	PORSCHE	PET	PORSCHE

Pos	Part Number	Name	Remarks	Qty	Model	Pos	Part Number	Name	Remarks	Qty	Model
20	-	1200 MM		1							
21	955 628 200 00	angled pipe		4							
22	955 628 210 00	distributing piece		1							
23	955 628 230 00	angled pipe		1							
24	955 628 250 00	grommet		1							
25	955 628 251 00	grommet		1							
26	955 628 252 00	grommet		1							
27	955 628 077 00	spray nozzle		2							
28	955 628 078 01	spray nozzle rear end		1							
		repair kit for hose									
29	955 628 222 00	connecting piece		1							
30	955 628 223 00	connecting piece		1							
31	955 628 224 00	shrink-fit hose		1							
32	955 628 225 00	hose		1							
33	N 020 902 2	tie-wrap see technical manual Gr. 9254		2							
- W	999 901 017 41	window cleaner 250 ML summer		X							
-	999 901 017 42	window cleaner 250 ML summer		X							
-	999 901 033 40	window cleaner 1000 ML winter		X							
		- - - E N D - - -									

Model	Year	MG	SG	Illustration	Restrictions	Update	7:40	17.08.2006	PORSCHE	PET	PORSCHE
9pa	06	9	04	904-20		203					

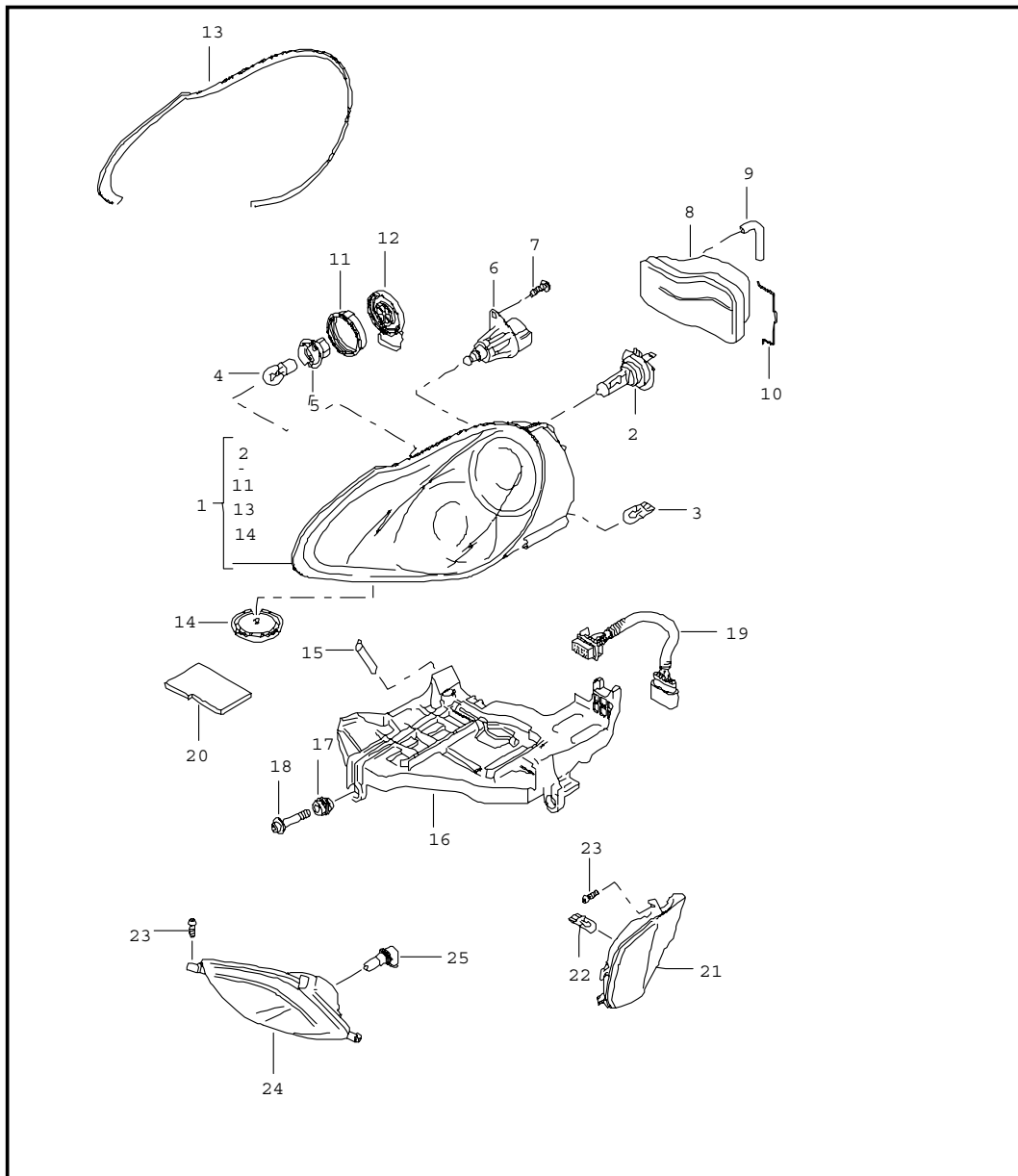


Pos	Part Number	Name	Remarks	Qty	Model
		headlight washer system			I8X1
1	955 624 502 00	pump		1	
2	431 955 465 A	gasket		1	
-	955 628 181 00	hose 10 X 3 MM 5000 MM		1	
3	-	834 MM		1	
4	-	195 MM		1	
5	-	260 MM		1	ID9K/ID9J
(5)	-	220 MM		1	ID9L
6	-	2070 MM / 1915 MM		1	ID9K/ID9J
(6)	-	2140 MM/ 1915 MM		1	ID9L
7	955 628 204 00	connecting piece		2	
8	955 628 205 00	connecting piece		1	
9	955 628 206 00	connecting piece		1	
10	955 628 160 00	distributing piece		1	
11	N 900 051 01	tie-wrap 4,6 X 172		3	
12	955 628 025 00	clamp		1	
13	955 628 260 00	hose holder		1	
14	955 628 261 00	hose holder		2	
15	955 628 180 00	jet carrier		2	
16	955 628 161 00	nozzle	/L	1	ID9K/ID9J
(16)	955 628 163 00	nozzle	/L	1	ID9L
17	955 628 162 00	nozzle	/R	1	ID9K/ID9J
(17)	955 628 164 00	nozzle	/R	1	ID9L
18	955 628 301 00	trim	/L	1	ID9K/ID9J
	G2X	prime coated comprising: spacer hinge mounting adhesive tape			

Model	Year	MG	SG	Illustration	Restrictions	Update					
9pa	06	9	04	904-20		203	7:40	17.08.2006	PORSCHE	PET	PORSCHE

Pos	Part Number	Name	Remarks	Qty	Model	Pos	Part Number	Name	Remarks	Qty	Model
19	955 628 302 00	trim	/R	1	ID9K/ID9J						
	G2X	prime coated comprising: spacer hinge mounting adhesive tape									
(18)	955 628 303 00	trim set	/L	1	ID9L						
	G2X	prime coated comprising: spacer hinge mounting									
(19)	955 628 304 00	trim set	/R	1	ID9L						
	G2X	prime coated comprising: spacer hinge mounting									
20	955 628 185 00	support		2	ID9K/ID9J						
(20)	955 628 187 00	support	/L	1	ID9L						
(20)	955 628 188 00	support	/R	1	ID9L						
21	N 908 082 01	oval-head screw 6,0 X 18,5		2	ID9K/ID9J						
				4	ID9L						
22	N 905 624 01	oval-head screw 3,5 X 10,0		6							
		- - - E N D - - -									

Model	Year	MG	SG	Illustration	Restrictions	Update	7:40	17.08.2006	PORSCHE	PET	PORSCHE
9pa	06	9	05	905-00		203					



Pos	Part Number	Name	Remarks	Qty	Model
		headlamp side turn signal fog headlamp			
1	A 955 631 153 00	headlamp see technical information GR. 9, NR. 10/04	/L -04	1	I8BB
(1)	A 955 631 154 00	headlamp see technical information GR. 9, NR. 10/04	/R -04	1	I8BB
(1)	A 955 631 153 10	headlamp see technical information GR. 9, NR. 10/04	/L -04	1	I8BF
(1)	A 955 631 154 10	headlamp see technical information GR. 9, NR. 10/04	/R -04	1	I8BF
(1)	A 955 631 153 30	headlamp	/L	1	I8BB
(1)	955 631 153 31	headlamp	/L	1	I8BB
(1)	A 955 631 154 30	headlamp	/R	1	I8BB
(1)	955 631 154 31	headlamp	/R	1	I8BB
(1)	A 955 631 153 40	headlamp	/L	1	I8BF
(1)	955 631 153 41	headlamp	/L	1	I8BF
(1)	A 955 631 154 40	headlamp	/R	1	I8BF
(1)	955 631 154 41	headlamp	/R	1	I8BF
2	999 631 133 90	halogen bulb H7		6	
3	N 017 753 7	bulb position light W 5 W	-04	2	
(3)	N 017 753 10	bulb XENON-BLUE LONGLIFE position light W 5 W		2	
4	900 631 131 90	bulb direction indicator light yellow 21 W		2	
5	955 631 133 00	bulb holder direction indicator light		2	
6	955 624 209 00	electric motor headlight levelling system		2	

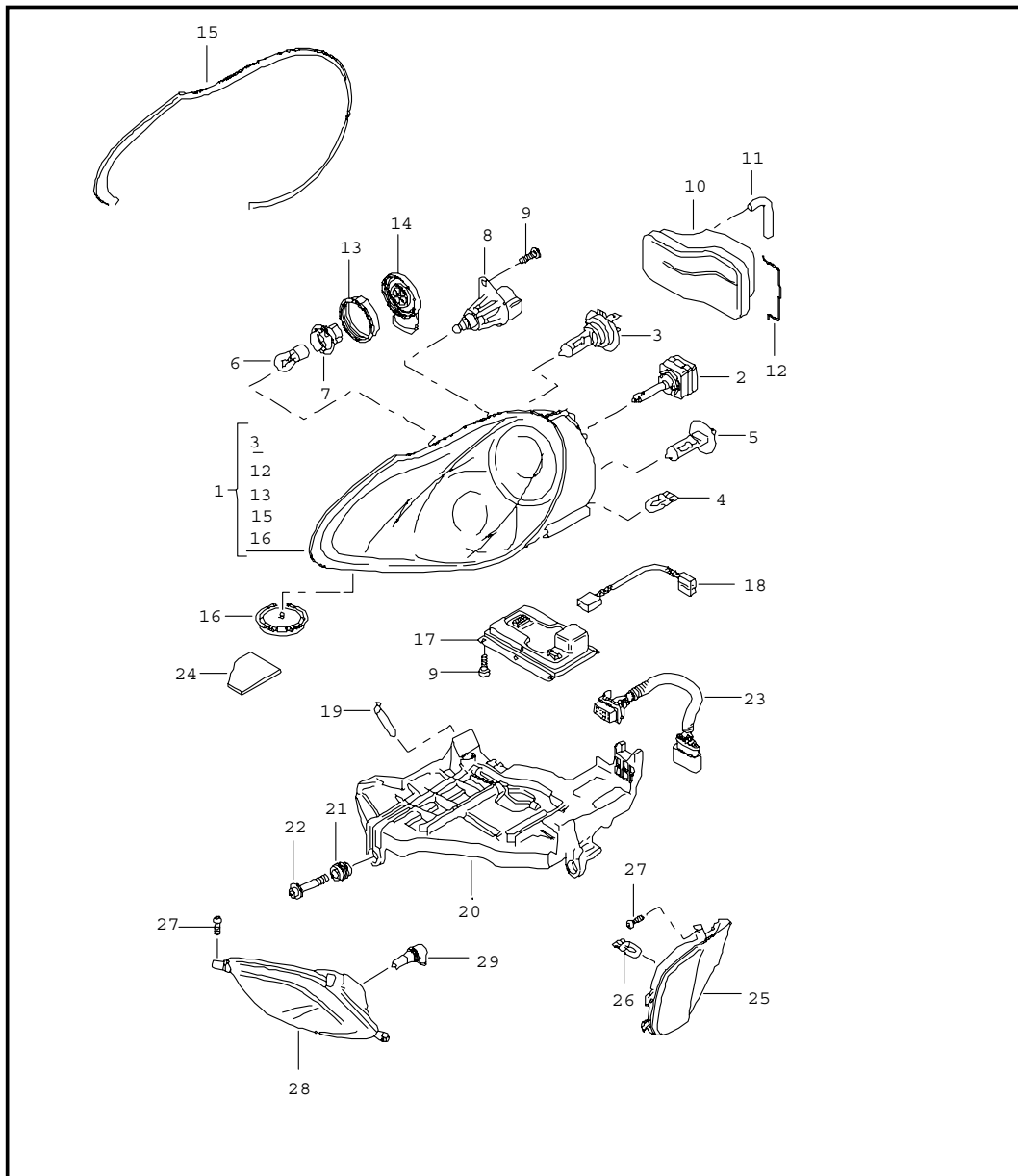
Model	Year	MG	SG	Illustration	Restrictions	Update	7:40	17.08.2006	PORSCHE	PET	PORSCHE
9pa	06	9	05	905-00		203					

Pos	Part Number	Name	Remarks	Qty	Model	Pos	Part Number	Name	Remarks	Qty	Model
7	955 631 285 00	screw		4		(16) A	955 631 041 01	mounting	/L	1	
8	A 955 631 231 00	protective cap	/L	1		(16)	955 631 041 02	mounting	/L	1	
(8)	U 955 631 231 01	protective cap	/L -04	1		(16) A	955 631 042 00	mounting	/R	1	
(8)	A 955 631 232 00	protective cap	/R	1		(16) A	955 631 042 01	mounting	/R	1	
(8)	U 955 631 232 01	protective cap	/R -04	1		(16)	955 631 042 02	mounting	/R	1	
8	955 631 231 10	protective cap see technical information GR.9 NR.10/04	/L	1		17 A	955 631 062 00	tensioner for mounting 955.631.041.01/042.01 955.631.041.02/042.02		8	
(8)	955 631 232 10	protective cap see technical information GR.9 NR.10/04	/R	1		(17)	955 631 062 01	tensioner for mounting 955.631.041.01/042.01 955.631.041.02/042.02		8	
9	955 631 451 00	breather adapter protective cap 955.631.231.10 / 232.10 see technical information GR.9 NR.10/04		2		18	955 631 052 00	fastening screw BM6 X 50 X 20 for mounting 955.631.041.01/042.01 955.631.041.02/042.02		8	
10	955 631 287 00	retainer spring		4		(18)	N 910 427 01	oval-head screw BM6 X 40 for mounting 955.631.041.00/042.00		8	
-	U 000 043 205 33	desiccator bag headlamp	-04	1		19	955 631 239 00	wiring harness headlamp		2	
11	U 955 631 233 00	protective cap appendix high beam		2		20	955 631 137 00	set cover foil headlamp for left-hand traffic vehicles in rh traffic countries see tpi GR. 9 / NR. 23		1	
12	955 631 233 10	protective cap appendix high beam see technical information GR.9 NR.10/04		2		(20)	955 631 138 00	set cover foil headlamp for right-hand traffic vehic. in lh traffic countries see tpi GR. 9 / NR. 23		1	
13	955 631 115 00	gasket headlamp	/L	1		21	955 631 033 00	side turn signal	/L	1	
(13)	955 631 116 00	gasket headlamp	/R	1							
14	955 631 235 00	ventilation component		2							
15	955 631 081 00	guide sleeve adjustment headlamp	/L	1							
(15)	955 631 082 00	guide sleeve adjustment headlamp	/R	1							
16	A 955 631 041 00	mounting	/L	1							

Model	Year	MG	SG	Illustration	Restrictions	Update					
9pa	06	9	05	905-00		203	7:40	17.08.2006	PORSCHE	PET	PORSCHE

Pos	Part Number	Name	Remarks	Qty	Model	Pos	Part Number	Name	Remarks	Qty	Model
(21)	955 631 033 20	side turn signal	/L	1	I6GE/I6GF						
(21)	955 631 034 00	side turn signal	/R	1							
(21)	955 631 034 20	side turn signal	/R	1	I6GE/I6GF						
22	999 631 138 90	bulb 5 W yellow		2							
23	N 908 082 01	oval-head screw 6 X 18,5		12							
24	955 631 161 01	fog headlamp	/L	1							
(24)	955 631 162 01	fog headlamp	/R	1							
(24)	955 631 163 00	fog headlamp	05	2	I2D1/2D2						
25	999 631 144 90	bulb H 11		2							
		- - - E N D - - -									

Model	Year	MG	SG	Illustration	Restrictions	Update	7:41	17.08.2006	PORSCHE	PET	PORSCHE
9pa	06	9	05	905-01		203					



Pos	Part Number	Name	Remarks	Qty	Model
		headlamp side turn signal fog headlamp			I8BC/8JD/8BZ
1	A 955 631 157 00	headlamp see technical information GR. 9, NR. 10/04	/L -04	1	I8BC
(1)	A 955 631 158 00	headlamp see technical information GR. 9, NR. 10/04	/R -04	1	I8BC
(1)	A 955 631 157 10	headlamp see technical information GR. 9, NR. 10/04	/L -04	1	I8BZ
(1)	A 955 631 158 10	headlamp see technical information GR. 9, NR. 10/04	/R -04	1	I8BZ
1	A 955 631 157 30	headlamp	/L	1	I8BC
1	955 631 157 31	headlamp	/L	1	I8BC
(1)	A 955 631 158 30	headlamp	/R	1	I8BC
(1)	955 631 158 31	headlamp	/R	1	I8BC
(1)	A 955 631 157 40	headlamp	/L	1	I8BZ
(1)	955 631 157 41	headlamp	/L	1	I8BZ
(1)	A 955 631 158 40	headlamp	/R	1	I8BZ
(1)	955 631 158 41	headlamp	/R	1	I8BZ
2	N 105 661 01	bulb D1S 35W		2	
3	999 631 133 90	bulb H 7		2	
4	N 017 753 7	bulb position light W 5 W	-04	2	
(4)	N 017 753 10	bulb XENON-BLUE LONGLIFE position light W 5 W		2	
5	900 631 126 90	bulb H 3		2	
6	900 631 131 90	bulb 21 W direction indicator light		2	

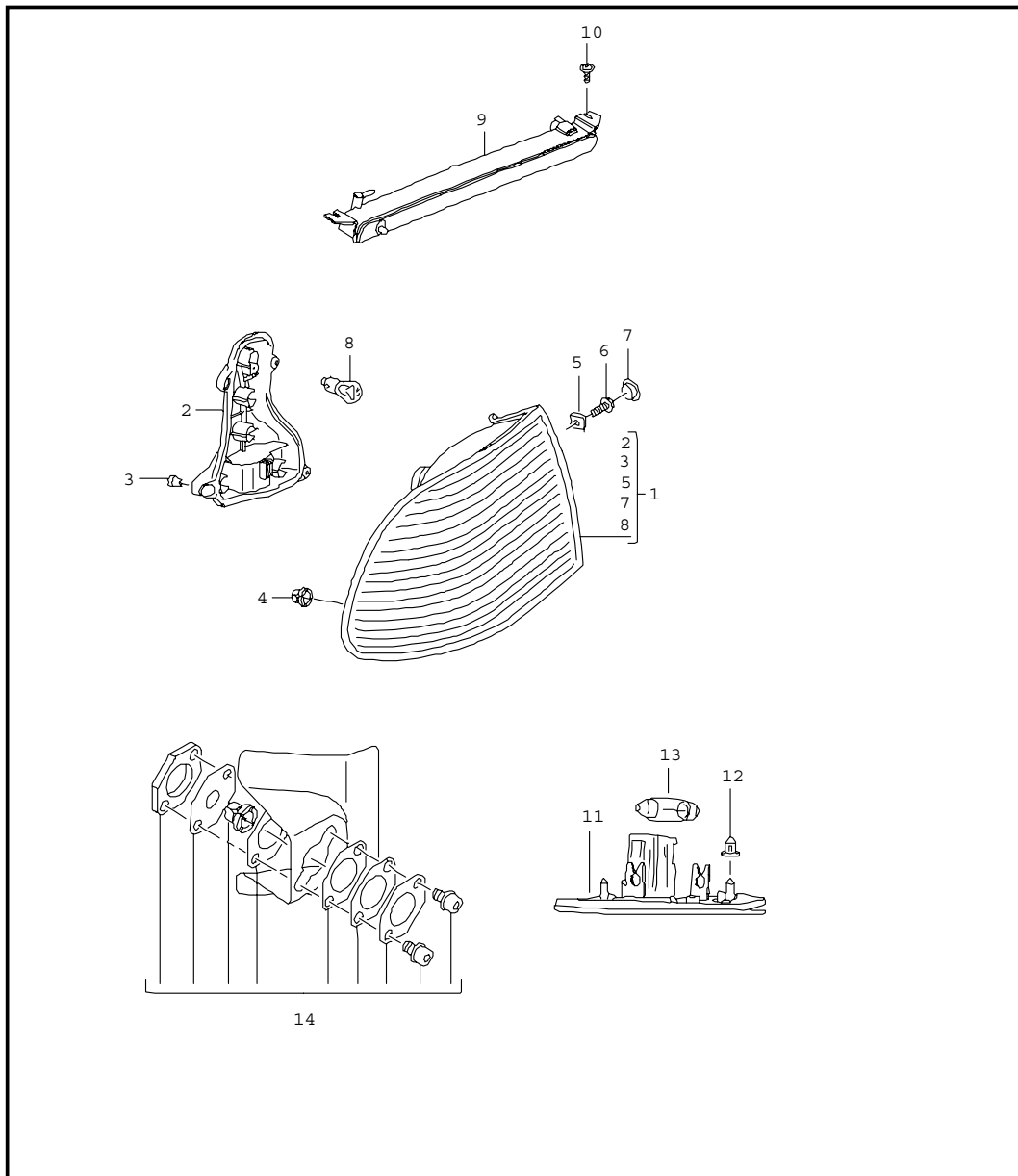
Model	Year	MG	SG	Illustration	Restrictions	Update				
9pa	06	9	05	905-01		203	7:41	17.08.2006	PORSCHE	PET
									PORSCHE	PORSCHE

Pos	Part Number	Name	Remarks	Qty	Model	Pos	Part Number	Name	Remarks	Qty	Model
7	955 631 133 00	bulb holder direction indicator light		2		18	955 631 239 20	wiring harness		2	
8	955 624 209 10	electric motor headlight levelling system		2		19	955 631 081 00	guide sleeve adjustment headlamp	/L	1	
9	955 631 285 00	screw		X		(19)	955 631 082 00	guide sleeve adjustment headlamp	/R	1	
10	A 955 631 231 00	protective cap	/L	1		20	A 955 631 041 00	mounting	/L	1	
10	U 955 631 231 01	protective cap	/L -04	1		20	A 955 631 041 01	mounting	/L	1	
(10)	A 955 631 232 00	protective cap	/R	1		20	955 631 041 02	mounting	/L	1	
(10)	U 955 631 232 01	protective cap	/R -04	1		(20)	A 955 631 042 00	mounting	/R	1	
10	955 631 231 10	protective cap see technical information GR. 9, NR. 10/04	/L	1		(20)	A 955 631 042 01	mounting	/R	1	
(10)	955 631 232 10	protective cap see technical information GR. 9, NR. 10/04	/R	1		(20)	955 631 042 02	mounting	/R	1	
11	955 631 451 00	breather adapter protective cap 955.631.231.10 / 232.10 see technical information GR. 9, NR. 10/04		1		21	A 955 631 062 00	tensioner for mounting 955.631.041.01/042.01 955.631.041.02/042.02		8	
12	955 631 287 00	retainer spring		4		(21)	955 631 062 01	tensioner for mounting 955.631.041.01/042.01 955.631.041.02/042.02		8	
-	U 000 043 205 33	desiccator bag headlamp	-04	1		22	955 631 052 00	fastening screw BM6 X 50 X 20 for mounting 955.631.041.01/042.01 955.631.041.02/042.02		8	
13	955 631 233 00	protective cap appendix high beam		2		(22)	N 910 427 01	oval-head screw BM6 X 40 for mounting 955.631.041.00/042.00		8	
14	955 631 233 10	protective cap appendix high beam see technical information GR. 9, NR. 10/04	-04	2		23	955 631 239 10	wiring harness headlamp		2	
15	955 631 115 00	gasket headlamp	/L	1		24	955 631 137 10	set cover foil headlamp for left-hand traffic vehicles in rh traffic countries see tpi GR. 9 / NR. 23		1	
(15)	955 631 116 00	gasket headlamp	/R	1							
16	955 631 235 00	ventilation component		2							
17	A 955 631 193 00	control unit		2							
17	955 631 193 01	control unit		2							

Model	Year	MG	SG	Illustration	Restrictions	Update				PORSCHE	PET	PORSCHE
9pa	06	9	05	905-01		203	7:41	17.08.2006				

Pos	Part Number	Name	Remarks	Qty	Model	Pos	Part Number	Name	Remarks	Qty	Model
(24)	955 631 138 10	set cover foil headlamp for right-hand traffic vehic. in lh traffic countries see tpi GR. 9 / NR. 23		1							
25	955 631 033 00	side turn signal	/L	1							
(25)	955 631 033 20	side turn signal	/L	1	I6GE/I6GF						
(25)	955 631 034 00	side turn signal	/R	1							
(25)	955 631 034 20	side turn signal	/R	1	I6GE/I6GF						
26	999 631 138 90	bulb 5 W yellow		2							
27	N 908 082 01	oval-head screw 6 X 18,5		12							
28	955 631 161 01	fog headlamp	/L	1							
(28)	955 631 162 01	fog headlamp	/R	1							
(28)	955 631 163 00	fog headlamp		2	I2D1/2D2						
29	999 631 144 90	bulb H 11		2							
		- - - E N D - - -									

Model	Year	MG	SG	Illustration	Restrictions	Update	7:41	17.08.2006	PORSCHE	PET	PORSCHE
9pa	06	9	05	905-05		203					

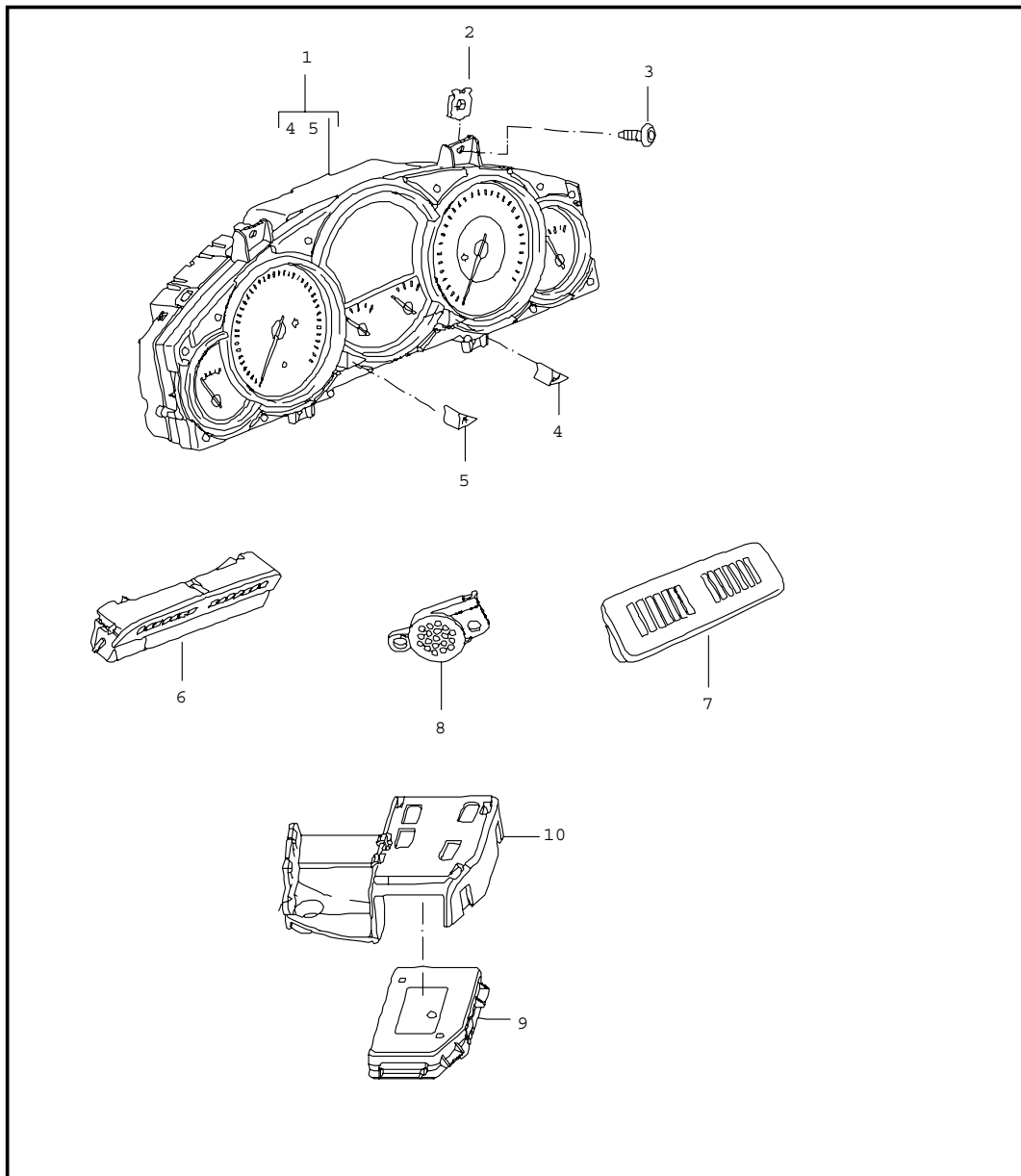


Pos	Part Number	Name	Remarks	Qty	Model
		rear light license plate light additional stoplamp repair kit rear light			
1	955 631 485 01	rear light housing	/L	1	
(1)	955 631 486 01	rear light housing	/R	1	
2	955 631 437 00	bulb holder	/L	1	
(2)	955 631 438 00	bulb holder	/R	1	
(2)	955 631 436 00	wiring harness		2	
3	955 631 450 00	fastening part bulb holder		8	
4	955 631 471 01	clips nut		2	
5	N 901 686 01	speed nut M 6 X 23,4 X 16		4	
6	N 101 148 01	screw M 6 X 15		4	
7	955 631 475 00	cap		4	
8	999 631 024 90	bulb P21 / 4 W		2	
(8)	900 631 127 90	bulb 21 W		6	
(8)	900 631 128 90	bulb P21 / 5 W		2	
9	955 631 050 01	additional stoplamp		1	
10	N 908 401 02	oval-head screw 4 X 12		2	
11	955 631 620 02	license plate light		2	I1G1/I1G6
(11)	1J6 943 021 B	license plate light		2	I1G3
12	N 908 378 02	expander nut 3,0 X 11,1		4	I1G1/I1G6
13	900 631 105 90	bulb 5 W		2	
14	955 631 215 00	repair kit rear light repair kit comprising:		1	

Model	Year	MG	SG	Illustration	Restrictions	Update					
9pa	06	9	05	905-05		203	7:41	17.08.2006	PORSCHE	PET	PORSCHE

Pos	Part Number	Name	Remarks	Qty	Model	Pos	Part Number	Name	Remarks	Qty	Model
-	-	threaded plate		1							
-	-	nut lock		1							
-	955 631 471 01	clips nut		1							
-	-	spacer plate 0,5 MM		2							
-	-	spacer plate 1,0 MM		2							
-	-	screw M 5 X 12		2							
		- - - E N D - - -									

Model	Year	MG	SG	Illustration	Restrictions	Update	7:41	17.08.2006	PORSCHE	PET	PORSCHE
9pa	06	9	06	906-00		203					

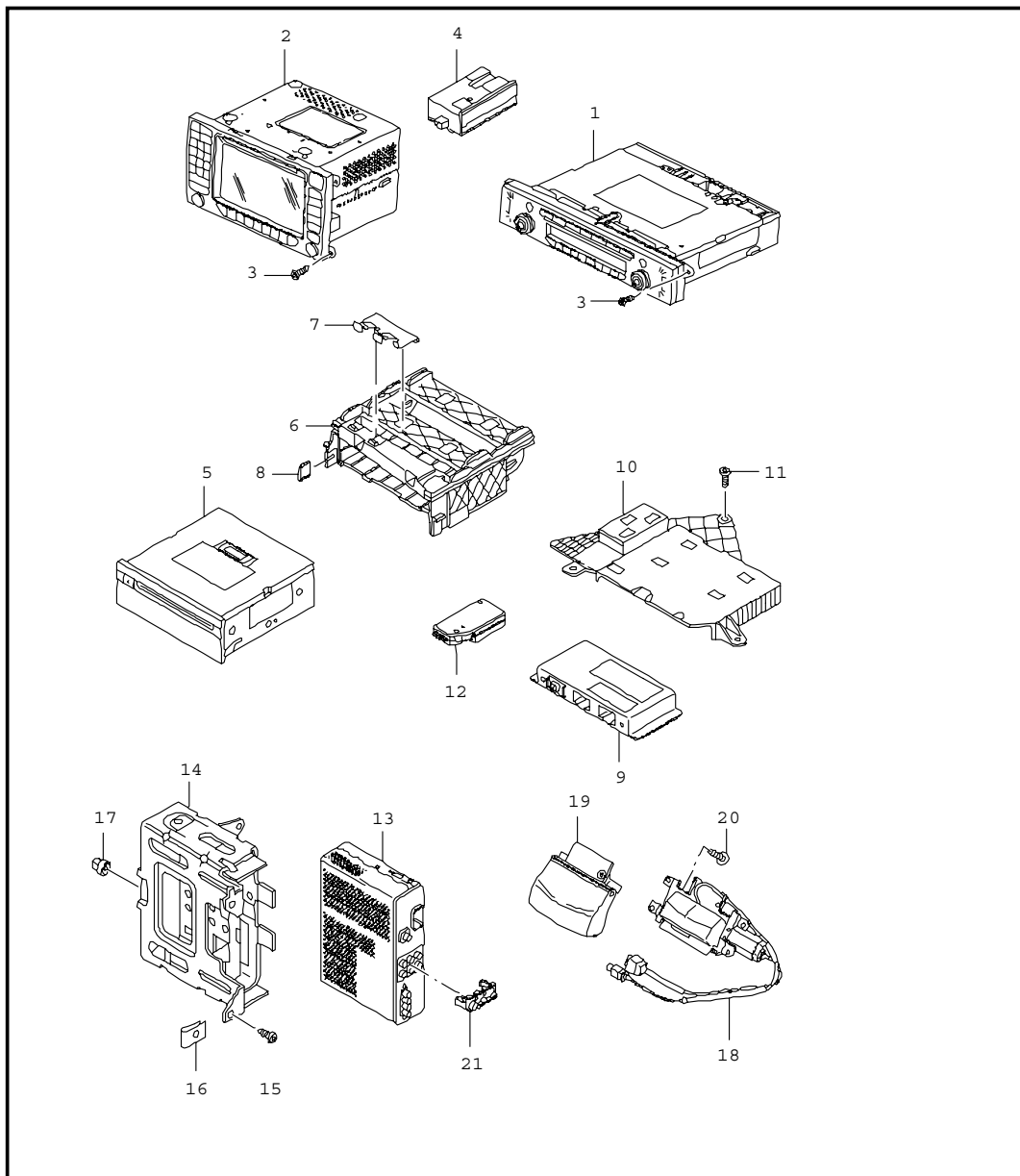


Pos	Part Number	Name	Remarks	Qty	Model
		instruments display unit park distance control magnetic-field sensor compass	-04 05-		I7X2 I7Q7/7T0/7T3 I8DU/IQR1
1	955 641 104 00	instrument cluster	-04	1	ID9J
(1)	955 641 114 00	instrument cluster	05-	1	ID9J
(1)	955 641 105 00	instrument cluster	-04	1	IU5B/ID9J
(1)	955 641 115 00	instrument cluster	05-	1	IU5B/ID9J
(1)	955 641 204 01	instrument cluster	-04	1	ID9K
(1)	955 641 214 00	instrument cluster	05-	1	ID9K
(1)	955 641 205 01	instrument cluster	-04	1	IU5B/ID9K
(1)	955 641 215 00	instrument cluster	05-	1	IU5B/ID9K
(1)	955 641 304 01	instrument cluster	-04	1	ID9L
(1)	955 641 314 00	instrument cluster	05-	1	ID9L
(1)	955 641 305 01	instrument cluster	-04	1	IU5B/ID9L
(1)	955 641 315 00	instrument cluster	05-	1	IU5B/ID9L
2	N 906 987 01	speed nut ST 4,2		4	
3	N 906 986 01	tapping screw ST 4,2 X 16		4	
4	955 641 070 00	knob actuator tripmeter		1	
5	955 641 070 10	knob actuator clock		1	
6	955 641 222 00	display unit front		1	I7X1/I7X2
7	955 641 224 00	display unit rear		1	I7X1/I7X2
	A03	black			
	5Y2	palmgreen			
	5Z1	sand beige			
	7BA	steel grey			

Model	Year	MG	SG	Illustration	Restrictions	Update						
9pa	06	9	06	906-00		203	7:41	17.08.2006	PORSCHE	PET	PORSCHE	

Pos	Part Number	Name	Remarks	Qty	Model	Pos	Part Number	Name	Remarks	Qty	Model
8	955 641 230 00	loudspeaker park distance control		1	I7X2						
9	955 642 023 00	magnetic-field sensor compass from model year	05	1	I8DU/QR1						
10	955 642 024 00	support		1							
		- - - E N D - - -									

Model	Year	MG	SG	Illustration	Restrictions	Update	7:41	17.08.2006	PORSCHE	PET	PORSCHE
9pa	06	9	11	911-00		203					



Pos	Part Number	Name	Remarks	Qty	Model
1	-	radio navigation system receiving part tv receiving part radio magnetic-field sensor compass reversing camera	05- 05- -04 05-		IQV1 IQV4/IQV8 I7Q7/7T0/7T3 I8DU/IQR1 I7X1/I7X3
1	-	radio see catalogue TEQUIPMENT			
2	A 955 642 203 02	control part see technical information GR. 9 , NR. 6/03		1	I8DV
2	> 955 642 203 05	control part see technical information GR. 9 , NR. 6/03	-04	1	I8DV
2	> 955 642 203 10	control part	05	1	I8DV
2	955 642 203 11	control part	05	1	I8DV
2	955 642 210 00	control part F >>9P6LA 08079 F >>9P6LA 49270 F >>9P6LA 83929	06-	1	
2	955 642 210 01	control part F 9P6LA 08080>> F 9P6LA 49271>> F 9P6LA 83930>>		1	
3	N 105 842 01	tapping screw 4,2 X 25		2 4	I8DU I8DV
-	955 642 951 00	rotary knob left control part	-04	1	
-	955 642 952 00	rotary knob right control part	-04	1	
4	996 642 205 02	module navigation system	-04	1	
(4)	955 642 130 01	module voice activation		1	IQH1
-	955 642 131 01	cd-rom voice activation		1	IQH1

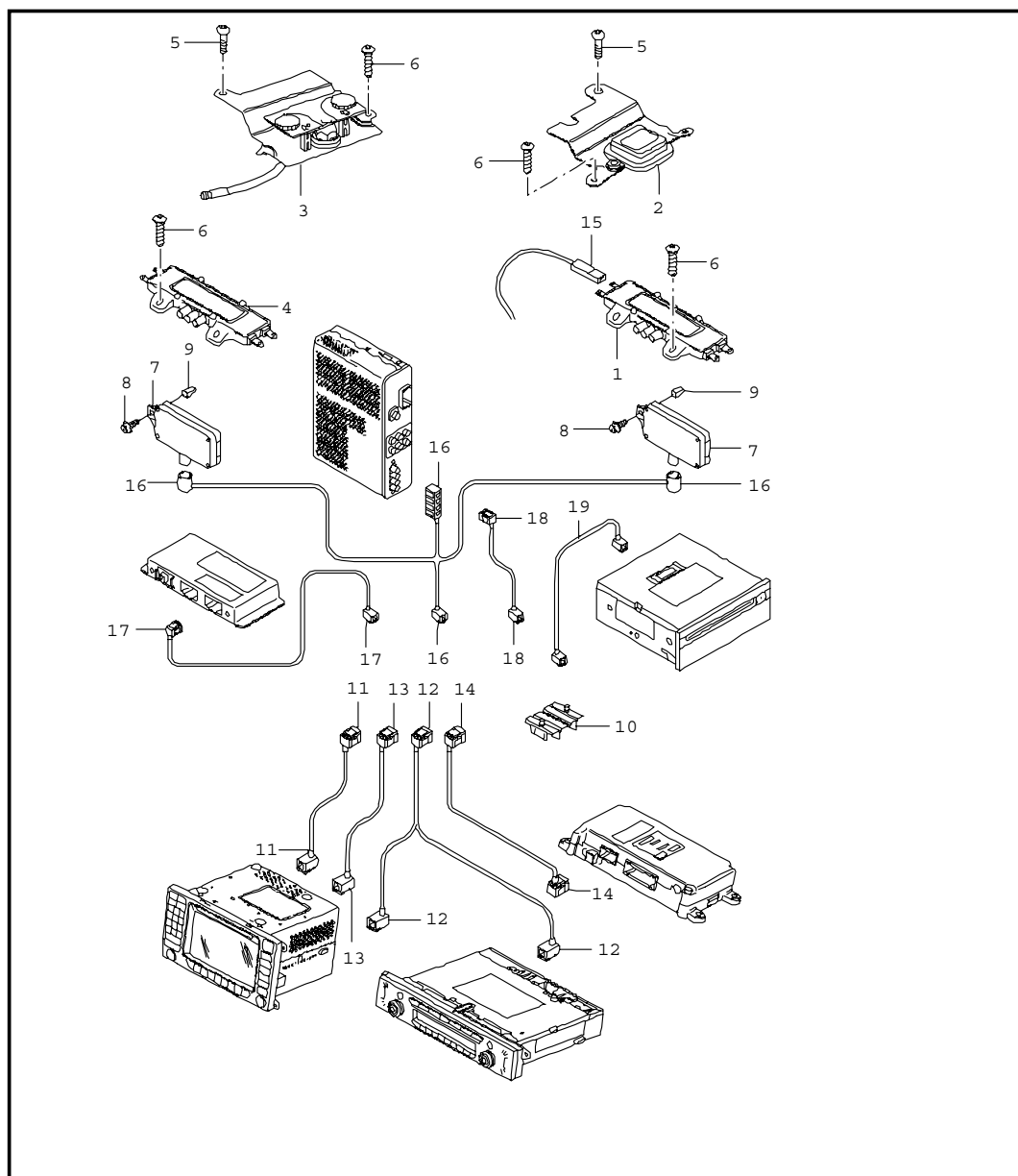
Model	Year	MG	SG	Illustration	Restrictions	Update	7:41	17.08.2006	PORSCHE	PET	PORSCHE
9pa	06	9	11	911-00		203					

Pos	Part Number	Name	Remarks	Qty	Model	Pos	Part Number	Name	Remarks	Qty	Model
-	A 996 642 030 00	cd-rom navigation for control part 955.642.203.02 see technical information GR. 9 , NR. 6/03		1	I7QT	5	N 997 642 157 00	dvd device navigation system F 9P6LA 08080>> F 9P6LA 49271>> F 9P6LA 83930>>		1	I8DQ/8DV/ I7T1/7Q2
-	A 996 642 030 01	cd-rom navigation for control part 955.642.203.05 see technical information GR. 9 , NR. 6/03		1	I7QT	-	997 642 235 03	dvd navigation	05	1	I7QT
-	996 642 030 02	cd-rom navigation for control part 955.642.203.05		1	I7QT	-	997 642 255 03	dvd navigation	06	1	I7QT
-	A 996 642 034 01	cd-rom navigation see technical information GR. 9 , NR. 6/03		1	I7QV	-	997 642 239 03	dvd navigation	05	1	I7QV
-	996 642 035 01	cd-rom navigation see technical information GR. 9 , NR. 6/03		1	I7QZ	-	997 642 259 02	dvd navigation	06	1	I7QV
-	A 996 642 036 01	cd-rom navigation see technical information GR. 9 , NR. 6/03		1	I7RA	-	N 997 642 241 03	dvd navigation	05	1	I7QZ
-	A 996 642 037 01	cd-rom navigation see technical information GR. 9 , NR. 6/03		1	I7RB/7RC/7RD	-	997 642 261 02	dvd navigation	06	1	I7QZ
-	996 642 034 02	cd-rom		1	I7QV	-	997 642 243 03	dvd navigation	05	1	I7RA
-	996 642 036 02	cd-rom		1	I7RA	-	997 642 263 02	dvd navigation	06	1	I7RA
5 >	997 642 135 04	dvd device	05	1	I8DQ/8DV/ I7T1/7Q2	-	997 642 245 03	dvd navigation	05	1	I7RB/7RC/7RD
5 >	997 642 137 02	dvd device navigation system F >>9P6LA 08079 F >>9P6LA 49270 F >>9P6LA 83929	06-	1	I8DQ/8DV/ I7T1/7Q2	-	997 642 265 02	dvd navigation	06	1	I7RB/7RC/7RD
						-	997 642 148 02	cd-rom logbook	06-	1	
						6	U 955 642 226 00	support	05	1	I8DQ/8DV/ I7T1/7Q2
						6	955 642 226 01	support	05	1	I8DQ/8DV/ I7T1/7Q2
						7	955 642 228 00	retaining bracket		1	I8DQ/8DV/ I7T1/7Q2
						8	N 907 468 01	u-clamp		2	
						12	955 642 023 00	magnetic-field sensor compass		1	I8DU/IQR1
						13	955 642 250 00	receiving part tv	05	1	IQV1
						14	955 642 255 00	support	05	1	IQV1/I8L6

Model	Year	MG	SG	Illustration	Restrictions	Update					
9pa	06	9	11	911-00		203	7:41	17.08.2006	PORSCHE	PET	PORSCHE

Pos	Part Number	Name	Remarks	Qty	Model	Pos	Part Number	Name	Remarks	Qty	Model
15	N 100 292 01	screw M 6 X 15		4	IQV1						
16	N 910 234 01	speed nut M 6 X 24,4 X 13		4	IQV1						
17	N 100 151 01	plastic nut T 5		1	IQV1						
18	955 645 290 00	reversing camera module		1	I7X1/7X3						
19	955 645 292 00	trim		1	I7X1/7X3						
	G2X	prime coated									
20	955 645 294 00	screw M 4 X 12		4							
21	955 645 295 00	coding plug		1	IQV1/7X1/7X3						
		- - - E N D - - -									

Model	Year	MG	SG	Illustration	Restrictions	Update	7:42	17.08.2006	PORSCHE	PET	PORSCHE
9pa	06	9	11	911-01		203					

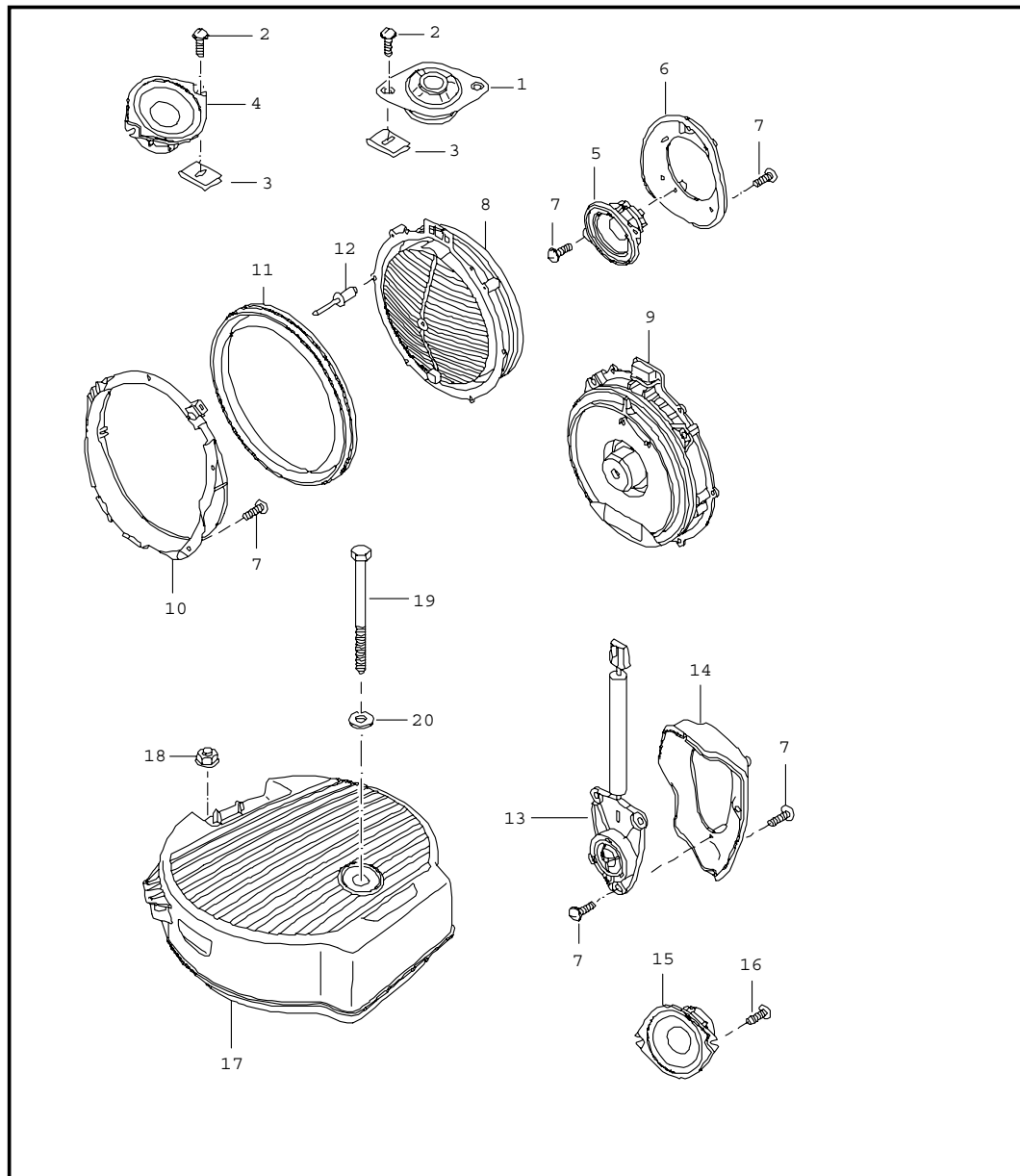


Pos	Part Number	Name	Remarks	Qty	Model
1	955 647 301 00	antenna booster antenna		1	I8ZM
(1)	955 647 302 00	antenna booster rear spoiler right		1	I8L6
2	955 647 107 00	antenna GPS		1	IQV1/7T1/7Q2
3	955 647 106 00	antenna telephone		1	
4	955 647 104 00	antenna booster rear spoiler left		1	IQV4/QV8/8L6
(4)	955 647 114 00	antenna booster rear spoiler left		1	IQV1/I8L6
5	N 909 446 02	screw M 5 X 12		2	
6	N 908 401 02	oval-head screw 4 X 14		X	
7	955 647 261 00	antenna booster tv	/L 05	1	IQV1/8L6
7	955 647 262 00	antenna booster tv	/R 05	1	IQV1/8L6
8	N 104 472 01	lens-head screw ST 4,8 X 13		2	IQV1/8L6
9	955 647 269 00	expander nut		2	IQV1/8L6
10	955 647 432 00	support F >>9P6LA 03817 F >>9P6LA 43850 F >>9P6LA 81761		2	
10	955 647 432 10	support F 9P6LA 03818>> F 9P6LA 43851>> F 9P6LA 81762>>		2	

Model	Year	MG	SG	Illustration	Restrictions	Update					
9pa	06	9	11	911-01		203	7:42	17.08.2006	PORSCHE	PET	PORSCHE

Pos	Part Number	Name	Remarks	Qty	Model	Pos	Part Number	Name	Remarks	Qty	Model
11	955 647 208 00	connecting line connection point to module navigation system connector blue		1	I7Q2/I7T1	(14)	955 647 212 00	connecting line connection point to control unit telephone connector violet		1	I9ZF
12	955 647 203 00	connecting line connection point to radio connector black		1		15	955 647 108 00	antenna radio rear spoiler right		1	
13	955 647 204 00	connecting line connection point to control part connector yellow		1	I8L6/7VE/7VL	16	955 647 213 00	connecting line receiving part tv to connection point to booster tv		1	
(13)	955 647 215 00	connecting line connection point to control part connector brown		1		18	955 647 217 00	connecting line connection point to receiving part tv connector brown		1	
(13)	955 647 220 00	connecting line connection point to control part connector creamy white for reversing camera		1		(18)	955 647 218 00	connecting line connection point to receiving part tv connector creamy white		1	
14	955 647 209 00	connecting line connection point to control unit telephone connector violet	-05	1	I9ZF/9ZH/9W1	19	955 647 219 00	connecting line connection point to dvd device navigation system		1	
(14)	955 647 209 10	connecting line connection point to control unit telephone 997.646.208.13 connector violet	06-	1				- - - E N D - - -			

Model	Year	MG	SG	Illustration	Restrictions	Update	7:42	17.08.2006	PORSCHE	PET	PORSCHE
9pa	06	9	11	911-05		203					

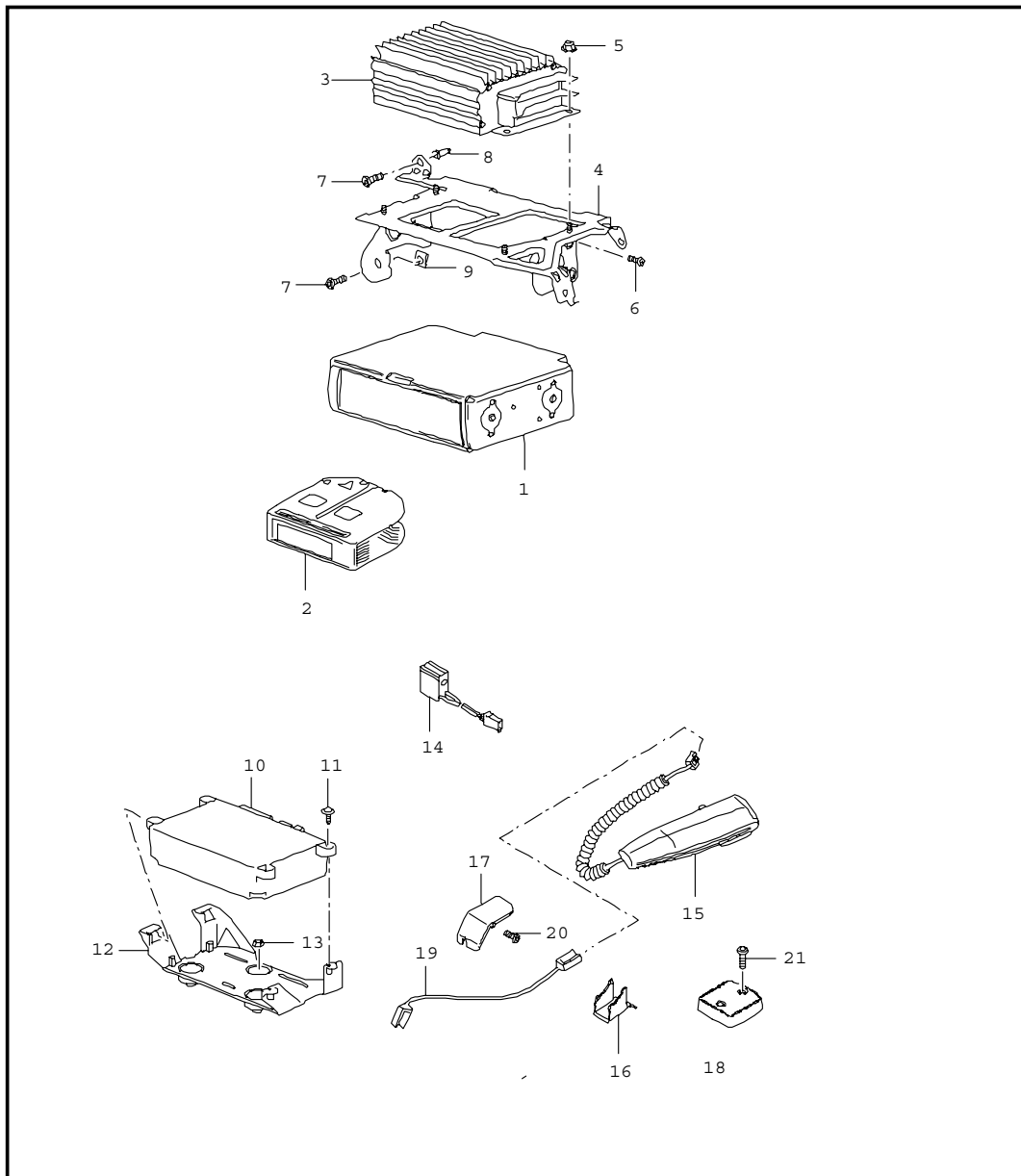


Pos	Part Number	Name	Remarks	Qty	Model
1	955 645 040 00	loudspeaker tweeter dashboard	/V	2	I9VL
(1)	955 645 041 00	tweeter dashboard	/V	2	I8RV
2	N 104 149 01	tapping screw 4,2 X 16		X	
3	N 906 988 01	speed nut 4,2 X 16		X	
4	955 645 030 00	loudspeaker dashboard centre		1	I9VL
5	955 645 031 00	mid-range loudspeaker door front		2	I9VL
(5)	955 645 032 00	mid-range loudspeaker door front		2	I8RV
(6)	955 645 131 00	adapter	/L	1	
6	955 645 132 00	adapter	/R	1	
7	N 903 474 04	screw 4,0 X 12		X	
8	955 645 020 01	woofer with housing door front		2	I9VL
(8)	955 645 021 00	woofer with housing door front and rear		4	I8RV
(8)	955 645 022 01	woofer with housing door rear		2	I9VL
9	955 645 023 00	woofer door front		2	I9VL
(9)	955 645 024 00	woofer door rear		2	I9VL

Model	Year	MG	SG	Illustration	Restrictions	Update					
9pa	06	9	11	911-05		203	7:42	17.08.2006	PORSCHE	PET	PORSCHE

Pos	Part Number	Name	Remarks	Qty	Model	Pos	Part Number	Name	Remarks	Qty	Model
10	955 645 221 00	mounting sealing ring door front	/L	1		19	955 645 012 00	threaded bolt M 8		1	IJ2C/I9VL
(10)	955 645 222 00	mounting sealing ring door front	/R	1		20	955 645 013 00	washer		1	IJ2C/I9VL
(10)	955 645 223 00	mounting sealing ring door rear	/L	1				- - - E N D - - -			
(10)	955 645 224 00	mounting sealing ring door rear	/R	1							
11	955 645 120 00	sealing ring woofer		4							
12	N 907 657 01	blind rivet 4,8 X 15		X							
13	955 645 042 00	tweeter door rear		2	I9VL						
(13)	955 645 043 00	loudspeaker mid-range high-pitched door rear		2	I8RV						
(14)	955 645 133 00	adapter	/L	1							
14	955 645 134 00	adapter	/R	1							
15	955 645 030 00	loudspeaker d-pillar		2	I9VL						
16	N 106 021 01	oval-head screw 4 X 10		4	I9VL						
17	955 645 010 10	subwoofer spare-wheel well		1	I9VL/IJ2C						
(17)	955 645 010 00	subwoofer spare-wheel well		1	I9VL						
18	N 102 058 02	hexagon nut M 6		4	I9VL						
(18)	N 908 786 01	nut M 6B-SB		2	I9VL/IJ2C						

Model	Year	MG	SG	Illustration	Restrictions	Update	9:14	17.08.2006	PORSCHE	PET	PORSCHE
9pa	06	9	11	911-10		203					



Pos	Part Number	Name	Remarks	Qty	Model
1	> 997 645 140 02	booster cd changer telephone		1	I7A2
2	996 645 113 00	cd changer CDC 4 adjustment installation attention		1	I7A2
2	996 645 113 00	rack for cd changer		1	
3	A 955 645 301 01	booster see technical information GR. 9 , NR. 12/03 GR. 9 , NR. 6/03		1	I9VL
3	A 955 645 301 04	booster see technical information GR. 9 , NR. 12/03 GR. 9 , NR. 6/03		1	I9VL
3	955 645 301 06	booster		1	I9VL
4	955 645 220 00	support cd changer booster		1	I7A2/I9VL
5	N 101 181 02	hexagon nut M 5		4	I9VL
6	N 906 448 01	screw M 5 X 9		6	I7A2
7	N 100 292 01	oval-head screw M 6 X 15		4	
8	N 909 278 01	blind rivet nut M 6		2	
9	N 910 234 01	speed nut M 6 X 24,4		1	
10	A 996 642 207 05	control unit telephone see technical information GR. 9 , NR. 23/04		1	I9ZP/I9W1
10	A 997 646 207 01	control unit telephone		1	I9ZP/I9W1
10	A 997 646 207 02	control unit telephone		1	

Model	Year	MG	SG	Illustration	Restrictions	Update	9:14	17.08.2006	PORSCHE	PET	PORSCHE
9pa	06	9	11	911-10		203					

Pos	Part Number	Name	Remarks	Qty	Model	Pos	Part Number	Name	Remarks	Qty	Model
10	> 997 646 208 13	control unit telephone see technical information Gr. 9, Nr.17 / 05		1							
11	N 104 648 02	oval-head screw 4,0 X 12		2	I9ZP						
12	A 955 642 208 00	support		1	I9ZH						
12	955 642 208 01	support		1	I9ZP/9W1						
12	955 642 208 02	support		1	I9ZP/9W1						
13	N 100 151 01	plastic nut T 5		3							
14	955 642 310 00	microphone		1							
15	A 955 642 212 00	receiver telephone see technical information GR. 9 , NR. 19/03		1	I9ZP/I9ZH						
15	955 642 212 01	receiver telephone	-05	1	I9ZP/I9ZH						
15	955 642 212 02	receiver telephone	06-	1	I9ZP/I9ZH						
16	955 642 213 00	cable guide		1	I9ZP/I9ZH						
17	955 642 214 00	cap		1	I9ZP/I9ZH						
18	955 642 215 00	connection piece receiver telephone		1	I9ZP/I9ZH						
19	955 612 642 01	cable		1	I9ZP						
20	N 909 067 01	oval-head screw 2,5 X 18		2	I9ZH/I9ZP						
21	N 105 357 02	oval-head screw 3 X 25		2	I9ZH/I9ZP						
		- - - E N D - - -									

MXI KAT24

KAT.	M-X-I -NR	BENENNUNG-Deutsch DESCRIPTION-English
24	ICJ1	Cayenne Rad 7,5x17 ET 53 Cayenne wheel 7.5x17, wheel offset 53
24	ICJ2	Cayenne S Rad 8x18 ET 57 Cayenne S wheel 8x18, wheel offset 57
24	ICJ3	Cayenne Design Rad 19" (9X19) 19" (9 X 19) Cayenne design wheel
24	ICJ6	Cayenne Turbo Rad 18" (8x18) 18" (8 x 18) Cayenne turbo wheel
24	ICP5	Cayenne Sport Techno Rad 9"/10" x 20", Titanmetallic Cayenne Sport Techno wheel 9"/10" x 20", Titanium metallic
24	ICP7	Cayenne Design Rad 19" Felgenstern in Wagenfarbe lackiert (9x19) 19" (9 x 19) Cayenne design wheel painted in body colour
24	ICS5	Cayenne Sport Design Rad 20" (9X20) 20" (9X20) Cayenne sport design wheel
24	ICS6	Cayenne Sport Techno Rad 9x20 ET 60 Cayenne Sport Techno wheel 9x20, wheel offset 60
24	ICT1	Cayenne Sport Techno Rad 9x20 ET 60 Felgenstern in Wagenfarbe Cayenne Sport Techno wheel 9x20, wheel offset 60, wheel spokes painted in exterior colour
24	ICW3	Cayenne Design Rad 19" in Titanmetallic Cayenne Design wheel 19" in titanium metallic
24	ICY3	Cayenne Sport Techno Rad 9"/10" x 20" Cayenne Sport Techno wheel 9"/10" x 20"
24	ICY4	Cayenne Sport Techno Rad 9"/10" x 20" in Wagenfarbe Cayenne Sport Techno wheel 9"/10" x 20" in vehicle colour
24	ID9J	6 Zylinder-Ottomotor 3,2l/177KW (24V) 6-cylinder petrol engine, 3.2 l/177 kW (24 valves)
24	ID9K	8 Zylinder Ottom. 4,5 l/250 KW (V 8) 8-cylinder petrol engine, 4.5 l/250 kW (V 8)
24	ID9L	8 Zylinder Ottom. 4,5 l/330 KW (V 8) Bi turbo 8-cylinder petrol engine, 4.5 l/330 kW (V 8) bi turbo
24	IE16	Sondermodell "Cayenne S Titanium" Special model 'Cayenne S Titanium'
24	IE8A	Turbo S Turbo S
24	IE81	Leistungsgesteigerter Motor 368 Kw Engine with increased efficiency 368 kw
24	IGY1	Zuziehhilfe fuer Heckklappe, elektrisch Power closing mechanism for tailgate
24	IGOL	6-Gang Schaltgetriebe fuer Allrad 6-speed manual transmission for all-wheel drive vehicle
24	IGOR	Tiptronic S Tiptronic s
24	IJOL	Batterie 340 A (70 AH) 340 A (70 Ah) battery
24	IJOZ	Batterie 520 A (110 AH) 520 A (110 Ah) battery
24	IJ1U	Batterie 450 A (95 AH) 450 A (95 Ah) battery
24	IJ2C	Batterie 480 A (85 AH) und 520 A (110AH) 480 A (85 Ah) and 520 A (110 Ah) batteries
24	IK4H	Geschlossener Aufbau Closed body
24	ILOL	Linkslenker-Ausführung Left-hand drive version

MXI KAT24

24	I L0R	Rechtslenker-Ausführung Right-hand drive version
24	I N1X	Sitzbezüge in Teilleder, gepreßt Part-leather seat covers, grained
24	I N2Z	Zweifarbige Sitzbezüge in Teilleder geprägt Two-tone seat covers in partial leather, embossed für Sondermodell Cayenne S for Cayenne S special model
24	I N5U	Sitzbezüge in Teilleder, Glattleder Part-leather seat covers, smooth leather
24	I N7D	Raffledersitzanlage, Glattleder Soft ruffled leather seats in smooth leather
24	I N7F	Raffledersitzanlage, Leder gepreßt Soft ruffled leather seats in embossed leather
24	I QAO	ohne Kindersitz Without child seat
24	I QH1	Sprachsteuerung Voice control system
24	I QJ2	Aluminium-Paket Aluminium package
24	I QJ4	Aluminium-Paket Ausführung 2 Aluminium package, version 2
24	I QJ5	Aluminium-Paket, Titan-Metall Aluminium package, Titanium-Metallic
24	I QL3	Wärmeschutzglas, grün im Fond Tinted glass, green at rear
24	I QL5	Privacy-Verglasung stark getönt hinten Dark tinted rear privacy glass
24	I QL6	Daemmglas im Fond, metallbedampft Heat-insulating glass at rear, metallized
24	I QR1	mit Kompass With compass
24	I QV0	ohne TV-und Digitaler Radiempfang Without TV and digital radio reception
24	I QV1	Mit TV Empfang With TV reception
24	I QV4	Satelliten-Radiempfang XM XM satellite radio receiver
24	I QV8	Satelliten-Radiempfang SIRIUS SIRIUS satellite radio receiver
24	I Q1D	Sportsitzanlage mit erweiterter Memory-Funktion, Glattleder Sports seats with expanded memory function in smooth leather
24	I Q2J	Komfortsitze vorn Comfort seats, front
24	I T31	Bauteile fuer Grundmotor, Aggregat M 022Y Components for basic engine acc. M 022Y
24	I T90	Aggregate fuer Motor PR. -Nr. D9L Accessories for engine PR. No. D9L
24	I T91	Aggregate fuer Motor PR. -Nr. D9K Accessories for engine PR. No. D9K
24	I U5A	Instrumenteneinsatz, Anzeige km/h, RdW Instrument insert, km/h indication, RoW
24	I U5B	Instrumenteneinsatz, Anzeige mph, GB Instrument insert, mph indication, GB
24	I U5C	Instrumenteneinsatz, Anzeige mph, USA Instrument insert, mph indication, USA
24	I U5D	Instrumenteneinsatz, Anzeige km/h, Kanada Instrument insert, km/h indication, Canada
24	I U5E	Instrumenteneinsatz, Anzeige km/h, Japan Instrument insert, km/h indication, Japan
24	I U5F	Instrumenteneinsatz, Anzeige km/h, AGCC Instrument insert, km/h indication, AGCC
24	I U5G	Instrumenteneinsatz, Anzeige km/h, Australien Instrument insert, km/h indication, Australia
24	I VC1	Garagentoroeffner, 433 MHz Garage opener, 433 MHz

MXI KAT24

24	I VC2	Garagentoroeffner, 315 MHz Garage opener, 315 MHz
24	I VR0	ohne Rammschutzmaßnahmen Without anti-ram protection measures
24	I VR1	Rammschutzmassnahmen seitlich, Trittbrett Side protection, running board
24	I VR3	Rammschutzmassnahmen vorne und seitlich Front-end and side protection
24	I VR4	Rammschutzmassnahmen vorne Front-end protection
24	I OAB	Stabilisator vorn Anti-roll bar, front
24	I OAG	Stabilisator vorn, entkoppelbar Anti-roll bar, front, disengageable
24	I OAW	Stabilisator Stabiliser
24	I OBB	Stabilisator hinten Anti-roll bar, rear
24	I OBJ	Stabilisator hinten, entkoppelbar Anti-roll bar, rear, disengageable
24	I OGD	Abgaskonzept EU 2, (CN) Emissions compliance EU 2, (CN)
24	I OGG	Abgaskonzept EU 4 Emissions compliance EU 4
24	I OGM	Abgaskonzept LEV Emissions compliance LEV
24	I OGU	Abgaskonzept EU 2 Emissions compliance EU 2
24	I OJA	Gewichtsklasse 1 Vorderachse - 1170-1210 kg Weight class 1, front axle - 1170-1210 kg
24	I OJB	Gewichtsklasse 2 Vorderachse - 1211-1226 kg Weight class 2, front axle - 1211-1226 kg
24	I OJC	Gewichtsklasse 3 Vorderachse - 1227-1251 kg Weight class 3, front axle - 1227-1251 kg
24	I OJD	Gewichtsklasse 4 Vorderachse - 1252-1276 kg Weight class 4, front axle - 1252-1276 kg
24	I OJE	Gewichtsklasse 5 Vorderachse - 1277-1292 kg Weight class 5, front axle - 1277-1292 kg
24	I OJF	Gewichtsklasse 6 Vorderachse - 1293-1328 kg Weight class 6, front axle - 1293-1328 kg
24	I OJG	Gewichtsklasse 7 Vorderachse - 1329-1428 kg Weight class 7, front axle - 1329-1428 kg
24	I ONA	Entfall Modellbezeichnung Deletion of model designation
24	I ONB	Schriftzugsatz in Grundausführung Logo set in basic version
24	I OPO	Abgasendrohr Standard Standard tail pipe
24	I OP3	Sportendrohr aus poliertem Edelstahl, 4-Rohr Optik Sports tail pipe of polished stainless steel, 4-pipe look
24	I OYA	Gewichtsklasse 1 Hinterachse - 1039-1074 kg Weight class 1, rear axle - 1039-1074 kg
24	I OYB	Gewichtsklasse 2 Hinterachse - 1075-1128 kg Weight class 2, rear axle - 1075-1128 kg
24	I OYC	Gewichtsklasse 3 Hinterachse - 1129-1159 kg Weight class 3, rear axle - 1129-1159 kg
24	I OYD	Gewichtsklasse 4 Hinterachse - 1160-1215 kg Weight class 4, rear axle - 1160-1215 kg
24	I OYE	Gewichtsklasse 5 Hinterachse - 1216-1244 kg Weight class 5, rear axle - 1216-1244 kg
24	I OYF	Gewichtsklasse 6 Hinterachse - 1245-1299 kg Weight class 6, rear axle - 1245-1299 kg
24	I OYG	Gewichtsklasse 7 Hinterachse - 1300-1331 kg Weight class 7, rear axle - 1300-1331 kg
24	I OY1	Standard-Klimazone Standard climatic zone

MXI KAT24

24	I0Y2	Tropische-Klimazone Tropical climatic zone
24	I0Y3	Kalte-Klimazone Cold climatic zone
24	I1BA	Federung/Daempfer, Standard Suspension/dampers, standard
24	I1BK	Luftfederung mit Niveauregulierung und Hoeohenverstellung (PASM) Air suspension with level control and height adjustment (PASM)
24	I1BS	4 Corner Luftfederung 4-corner air suspension
24	I1D0	ohne Anhaengevorrichtung Without towball
24	I1D2	Anhaenger-Zugvorrichtung abnehmbar Detachable trailer coupling
24	I1D6	Anhaenger-Zugvorrichtung ohne Kugelkopf Trailer coupling without tow ball
24	I1D7	Vorruestung fuer abnehmbare Anhaenger-Zugvorrichtung Preparation for detachable trailer coupling
24	I1D8	Vorruestung fuer abnehmbare Anhaenger-Zugvorrichtung"USA" Preparation for detachable trailer coupling "USA"
24	I1D9	Anhaenger-Zugvorrichtung elektrisch ausklappbar Electric folding trailer coupling
24	I1G1	18" Faltnotrad 18" collapsible spare wheel
24	I1G3	Reserverad in Fahrbereifung, Leichtmetallfelge High-pressure alloy spare wheel with tyre
24	I1G6	Reserverad, platzsparend - 17 Zoll, Radialbauweise, Kompressor, im Fahrzeug Spare wheel, space saving - 17-inch, radial tyre, compressor, in vehicle
24	I1G8	Tire Fit, Pannen-Set Tire Fit, tyre repair set
24	I1KU	Scheibenbremsen hinten - Scheibendurchmesser 18 Zoll, Bremssattel rot lackiert Rear disc brakes - disc diameter 18 inches, brake callipers painted red
24	I1KW	Scheibenbremsen hinten - Scheibendurchmesser 17 Zoll, Bremssattel schwarz lackiert Rear disc brakes - disc diameter 17 inches, brake callipers painted black
24	I1KY	Scheibenbremsen hinten - Scheibendurchmesser 17 Zoll, Bremssattel silber lackiert Rear disc brakes - disc diameter 17 inches, brake callipers painted silver
24	I1KZ	Scheibenbremsen hinten -Scheibendurchmesser 17 Zoll, Bremssattel rot lackiert Rear disc brakes - disc diameter 17 inches, brake callipers painted red
24	I1LH	Scheibenbremse vorn - Scheibendurchmesser 19 Zoll, Bremssattel rot lackiert Rear disc brake - disc diameter 19 inches, brake calliper painted red
24	I1LK	Scheibenbremse vorn - Scheibendurchmesser 17 Zoll, Bremssattel schwarz lackiert Front disc brake - disc diameter 17 inches, brake calliper painted black
24	I1LL	Scheibenbremse vorn - Scheibendurchmesser 18 Zoll, Bremssattel silber lackiert Front disc brake - disc diameter 18 inches, brake calliper painted silver
24	I1LM	Scheibenbremse vorn - Scheibendurchmesser 18 Zoll, Bremssattel rot lackiert Front disc brake - disc diameter 18 inches, brake calliper painted red

MXI KAT24

24	I 1L0	Normal Luftfilter Normal air cleaner
24	I 1L2	Ausstattung staubreiche Laender Equipment for countries with dust-laden air
24	I 1NE	Radnabenabdeckung STANDARD Wheel centres STANDARD
24	I 1NP	Radnabenabdeckung, farbiges Wappen (konkav) Wheel centres with coloured crest (concave)
24	I 1N1	Servolenkung Power steering
24	I 1N3	Servolenkung geschwindigkeitsabhangig (Servotronic) Speed-dependent power-assisted steering (servotronic)
24	I 1XJ	3-Speichen-Multifunktionslenkrad Holz, Nussbaum 3-spoke multi-function steering wheel in dark Wurzel dunkel mit Radio-Bedienelement burr walnut wood with radio control element
24	I 1XK	3-Speichen-Multifunktionslenkrad Holz, Olive hell, mit Radio Bedienelement 3-spoke multi-function steering wheel in light olive wood with radio control element
24	I 1Y1	Differentialsperre hinten, Langssperre Differential lock, rear, centre differential lock
24	I 2C4	Lenksaule, axial & vertikal einstellbar mit Memory Steering column, reach & height adjustable with memory
24	I 2C5	Lenksaule, axial & vertikal einstellbar mechanisch Steering column, reach & height adjustable, mechanical
24	I 2D0	ohne Aerokit Without Aerokit
24	I 2D1	Aerokit, mit Schwellerblende Aerokit, with sill cover
24	I 2D2	Aerokit, ohne Schwellerblende Aerokit, without sill cover
24	I 2D3	Schwellerblende Sill cover
24	I 2FV	3-Speichen-Multifunktionslenkrad Holz, Olive hell, matt, mit Radio Bedienelement 3-spoke multi-function steering wheel in light olive wood, mat, with radio control element
24	I 2G1	Einsatz fur bleifreie Betankung Insert for fuelling with unleaded petrol
24	I 2G3	Ohne Einsatz fur bleifreie Betankung Without fuel tank adapter for unleaded petrol
24	I 2G4	Einsatz fur bleifreie Betankung (Carb Diagnose) Insert for fuelling with unleaded petrol (CARB DIAGNOSIS)
24	I 2G6	Ohne Einsatz Betankung; Aethanolkraftstoff Without fuel tank adapter; ethanol fuel
24	I 2JB	Stoßfaenger Standard Standard bumper
24	I 2JC	Stoßfaenger Komfort, Edelstahl aufsatz Bugunterteil Comfort bumper, stainless-steel attachment, front apron bottom section
24	I 2PH	Lederlenkrad fur Airbagsystem - 3 Speichen beheizbar Leather steering wheel for airbag system - 3 spokes, heated
24	I 2PM	Lederlenkrad fur Airbagsystem - 3 Speichenlenkrad Leather steering wheel for airbag system - 3-spoke steering wheel
24	I 2V5	Frischluf tansaugung mit Aktivkohlf ilter Fresh-air intake with active carbon filter
24	I 2X2	Tiptronic-Bedienung am Lenkrad Tiptronic controls on steering wheel

MXI KAT24

24	I 3B1	Kindersitzverankerung Anforderung USA/Kanada Child seat anchors, USA/Canada requirement
24	I 3B4	Kindersitzverankerung fuer Kindersitzsystem ISO Fix RDW Child seat anchors for ISOFIX child seat system, RoW
24	I 3CX	Netztrennwand Luggage net
24	I 3D1	Mittelkonsole STANDARD (PVC) Centre console STANDARD (PVC)
24	I 3D3	Mittelkonsole MEDIUM, Leder gepraegt Centre console MEDIUM, grained leather
24	I 3D8	Mittelkonsole Leder, glatt Centre console Leather, smooth
24	I 3FA	ohne Dacheinsatz Without roof insert
24	I 3FE	Elektrisches Schiebe-/Hubdach aus Glas Electric glass slide/tilt sunroof
24	I 3FU	Grossdachsystem Porsche Porsche large roof system
24	I 3GE	Angehobener Ladeboden Raised loadspace floor
24	I 3J4	Kopfstuetzen fuer Vordersitze Head restraints for front seats
24	I 3J7	Kopfstuetzen fuer Vordersitze, hoehen- und neigungseinstellbar Head restraints for front seats height and angle adjustable
24	I 3LD	Tuer & Seitenverkleidung - Standard - PAG Door trim and side wall - standard - PAG
24	I 3LE	Tuer & Seitenverkleidung - MEDIUM - PAG Door trim and side wall - MEDIUM - PAG
24	I 3LH	Tuer & Seitenverkleidung - Vollleder Saeulen/Himmel in Alcantara - PAG Door trim and side wall - all leather -> pillars/ rooflining in Alcantara - PAG
24	I 3L3	Hoeheneinstellung manuell fuer beide Vordersitze 8 Wege Manual height adjustment for both 8-way adjustable front seats
24	I 3L4	Fahrermemory-Paket Driver memory package
24	I 3L5	Sitzeinstellung elektrisch fuer beide Vordersitze 12 Wege Electrical adjustment for both 12-way adjustable front seats
24	I 3ME	Tuftingvelours-Bodenbelag mit Trittschutz Tufted velour carpeting with protective pad
24	I 3MT	Perlvelours-Bodenbelag mit Trittschutz Pearl velour carpeting with protective pad
24	I 3PN	Sitzeinstellung elektrisch fuer beide Vordersitze 12 Wege & Memory 12-way electrical adjustment for both front seats & memory
24	I 3QT	3Punkt Automatikgurte vorn mit Gurtstraffer & Hoeheneinstellung 3-point automatic seat belts at front with seat-belt pre-tensioners & height adjustment
24	I 3S1	Dachreling, blank Unpainted roof rails
24	I 3S2	Dachreling, schwarz ohne Dachleiste Black roof rails without drip mouldings
24	I 3S4	Vorbereitung Dachlasttraeger schwarz Preparation for roof rack, black
24	I 3S5	Dachreling, schwarz mit Dachleiste Black roof rails with drip mouldings
24	I 3S7	Dachreling Roof rails

MXI KAT24

24	I 3S8	Dachtransportsystem Roof transport system
24	I 3W4	Akustikpaket Standard Standard audio package
24	I 3W7	Akustikpaket Extra Extra audio package
24	I 3X0	ohne Durchladeeinrichtung Without through-loading facility
24	I 3X1	Durchladeeinrichtung mit Ski sack Load-through facility with ski bag
24	I 3Y3	Sonnenschutzrollo manuell, Fondseitenfenster Manual sun blind, rear side window
24	I 3Y4	Sonnenschutzrollo für Seitenscheiben hinten Roller blind for rear side windows
24	I 4AV	Tuer & Seitenverkleidung - Insert Glattleder Door trim and side wall - smooth-leather insert
24	I 4A0	ohne Sitzheizung Without seat heating
24	I 4A3	Sitzheizung vorne Heated seats front
24	I 4A4	Sitzheizung vorne und hinten Heated seats front/rear
24	I 4B1	Seitenschutzleiste - mit Zierstreifen - Side protection moulding - with decorative strip
24	I 4B5	Seitenschutzleiste TOP - Version Side protection moulding, TOP version
24	I 4E2	Heckklappen-Entriegelung innen, elektrisch Interior tailgate release, electrical
24	I 4E7	Servoschließung Heckklappe Power closing for rear lid
24	I 4F2	PORSCHE ENTRY & DRIVE PORSCHE ENTRY & DRIVE
24	I 4F6	PORSCHE ENTRY & DRIVE (USA/CAN) PORSCHE ENTRY & DRIVE (USA/CAN)
24	I 4GF	Frontscheibe in Waermeschutzglas (getoent) Windscreen of tinted glass
24	I 4GY	Frontscheibe in Daemmglas (hitze schutz) Windscreen of heat-insulating glass
24	I 4K0	Zentralverriegelung mit Funkfernbedienung und Innenbetaetigung Central-locking system with key remote and interior operation
24	I 4K3	Zentralverriegelung mit Funkfernbedienung, Innenbetaetigung und Safesicherung Central-locking system with key remote, interior operation and "Safe" mode
24	I 4LB	3-Speichen-Multifunktionslenkrad, Leder, mit Radio-Bedienelement 3-spoke multi-function steering wheel in leather with radio control element
24	I 4LC	3-Speichen-Multifunktionslenkrad, Leder, mit Radio- und Telefon-Bedienelement 3-spoke multi-function steering wheel in leather with radio and telephone control element
24	I 4L2	Sicherheitsnennspiegel manuell abblendbar Safety rear-view mirror, manual dimming function
24	I 4L6	Sicherheitsnennspiegel automatisch abblendbar Safety rear-view mirror, automatic dimming function
24	I 4N1	Gepolsterte Armaturentafel Padded dashboard
24	I 4N8	Armaturentafel mit Echtleder Dashboard in genuine leather
24	I 4QF	3-Punkt Automatikgurte vorn mit elektrischer Höheneinstellung und Memory 3-point automatic belts at front with electrical height adjustment and memory
24	I 4UB	Airbag mit Kniebar Airbag with kneebar

MXI KAT24

24	I 4UD	Airbag, Bei fahrerseite nicht deaktivierbar Airbag, can not be deactivated on passenger's side
24	I 4UE	Airbag fuer Fahrer und Bei fahrer, Bei fahrerseite deaktivierbar Airbags for driver and front-seat passenger; front-seat passenger side can be deactivated
24	I 4UQ	Advancedairbag Advancedairbag
24	I 5D1	Traegerfrequenz 433,92 MHz Carrier frequency 433.92 MHz
24	I 5D2	Traegerfrequenz 315 MHz Carrier frequency 315 MHz
24	I 5D3	Traegerfrequenz 315 MHz mit reduzierter Sendeleistung fuer Japan Carrier frequency 315 MHz with reduced transmission power for Japan
24	I 5MA	Dekoreinlagen - Lack, Kunststoff lackiert Decorative inlays - paint, painted plastic
24	I 5MG	Holzpaket Nussbaum Wurzel, dunkel hochglanz Burr walnut wood package, dark high gloss
24	I 5RK	Aussenspiegel rechts, plan Exterior mirror, right, flat
24	I 5RQ	Aussenspiegel rechts, konvex Exterior mirror, right, convex
24	I 5RR	Aussenspiegel rechts, konvex (US) Exterior mirror, right, convex (US)
24	I 5RT	Aussenspiegel rechts, konvex (AGCC) Exterior mirror, right, convex (AGCC)
24	I 5RV	Aussenspiegel rechts, asphaerisch Exterior mirror, right, aspherical
24	I 5SG	Aussenspiegel links, plan Exterior mirror, left, flat
24	I 5SJ	Aussenspiegel links, konvex Exterior mirror, left, convex
24	I 5SL	Aussenspiegel links, asphaerisch Exterior mirror, left, aspherical
24	I 5TE	Aluminiumpaket Sport Aluminium "sport" package
24	I 5TF	Holzpaket Olive, hell hochglanz "olive" Wood package, light high gloss
24	I 5TK	Dekor-Einlagen, Holz, Olivemaser hell Decorative inlays, grained olive wood
24	I 5WO	Dachreling, Titan-Metallic Roof rail, Titanium-Metallic
24	I 5W2	Vorbereitung Dachlasttraeger blank, silber Preparation for roof rack, bright, silver
24	I 5W3	Dachgepacktraeger schwarz, Führungsschienen blank Roof rack black, guide rails bright
24	I 6A0	ohne Feuerlöscher Without fire extinguisher
24	I 6A4	Vorbereitung Feuerlöscher Preparation for fire extinguisher
24	I 6A5	Feuerlöscher Fire extinguisher
24	I 6A7	mit Feuerlöscher With fire extinguisher
24	I 6EA	ohne zusätzliche Karosserieabdeckungen, Steinschlagschutz seitlich Without additional body covers, side stone guards
24	I 6EB	Zusätzliche Karosserieabdeckungen, Steinschlagschutz und Teilblende Additional body covers, stone guards and partial cover
24	I 6EP	Zusätzliche Karosserieabdeckungen Steinschlagschutz, Ausführung 1 Additional body covers, stone guards, type 1

MXI KAT24

24	I 6EQ	Zusätzliche Karosserieabdeckungen Steinschutz, Ausführung 2 Additional body covers, stone guards, type 2
24	I 6ES	Zusätzliche Karosserieabdeckungen Steinschutz, Ausführung 3 Additional body covers, stone guards, type 3
24	I 6ET	Zusätzliche Karosserieabdeckungen Steinschutz, Ausführung 3 Additional body covers, stone guards, type 4
24	I 6E3	Mittelarmlehne vorn - PVC Schaumfolie Centre armrest, front - PVC foam film
24	I 6E6	Mittelarmlehne vorn - Leder glatt Centre armrest, front - smooth leather
24	I 6E7	Mittelarmlehne vorn - Leder gepreßt Centre armrest, front - grained leather
24	I 6FB	Aussenspiegelgehäuse in Wagenfarbe Exterior-mirror housing painted in exterior colour
24	I 6GE	Anbausatz - verbreiterte Radlaufausführung extra breit fuer Australien Component set - wheel arch extensions, extra wide for Australia
24	I 6GF	Anbausatz - verbreiterte Radlaufabdeckung Component set - wider wheel arch covers
24	I 6NA	Himmel ungeteilt, Alcantara, USA One-piece rooflining in Alcantara, USA
24	I 6NF	Himmel ungeteilt, Alcantara, Kanada One-piece rooflining in Alcantara, Canada
24	I 6NJ	Himmel Standard, Stoff Standard rooflining, fabric
24	I 6NL	Himmel Standard, Stoff, Kanada Standard rooflining in fabric, Canada
24	I 6NN	Himmel Alcantara Alcantara rooflining
24	I 6NQ	Himmel Standard, Stoff, USA Standard rooflining in fabric, USA
24	I 6N1	Schmutzfaenger hinten Mudguards, rear
24	I 6P1	Kennzeichentraeger hinten (ECE) Number-plate holder, rear (ECE)
24	I 6P2	Kennzeichentraeger hinten (USA) Number-plate holder, rear (USA)
24	I 6Q2	Schalthebelknopf und Griff in Leder, Wählhebel Leder/Alu Gear selector knob & grip in leather, gear lever in leather/aluminium
24	I 6Q8	Wählhebel, Holz, dunkel Gear lever, wood, dark
24	I 6W1	Kennzeichentraeger vorne gross (ECE) Number-plate holder, front, large (ECE)
24	I 6W2	Kennzeichentraeger vorne klein (RDW) Number-plate holder, front, small (RoW)
24	I 6W3	Kennzeichentraeger vorne (NAR) Number-plate holder, front (NAR)
24	I 6XP	Aussenspiegel, elektrisch anklappbar, elektrisch einstellbar, separat beheizbar Exterior mirrors, electrically retractable, electrically adjustable, separately heated
24	I 6XQ	Aussenspiegel mit Memoryfunktion, elektrisch anklapp-/ einstellbar, separat beheizbar Exterior mirrors with memory function, electrically retractable/adjustable, separately heated
24	I 6XT	Aussenspiegel, automatisch abblendbar, elektrisch anklapp/einstell u. separat beheizbar & Memory Exterior mirrors, autom. dimmable, electrically retractable/adjustable, separately heated & memory

MXI KAT24

24	I 6XW	Aussenspiegel, automatisch abblendbar, elektrisch anklapp-/ einstellbar, separat beheizbar Exterior mirrors, autom. dimmable, electrically retractable/adjustable, separately heated
24	I 7AK	Diebstahlalarmanlage, Innenraumueberwachung, Abschleppschutz Alarm system, interior surveillance system, anti-towing protection
24	I 7AL	Diebstahlalarmanlage, Innenraumueberwachung Backup Horn, Abschleppschutz Alarm system, interior surveillance system, backup horn, anti-towing protection
24	I 7A1	Vorrüstung für CD-Wechsler Preparation for CD autochanger
24	I 7A2	CD-Wechsler 6-fach CD autochanger (6-disc)
24	I 7B6	12 Volt Steckdosen - 6 Stueck Six 12-V sockets
24	I 7B7	12 Volt Steckdosen - 5 Stueck Five 12-V sockets
24	I 7B8	12 Volt Steckdosen - 7 Stueck Seven 12-V sockets
24	I 7F6	Wahlhebel, Holz, hell, matt Gear lever, wood, light, mat
24	I 7F7	Wahlhebel, Holz, hell, hochglanz Gear lever, wood, light, high gloss
24	I 7GA	Abgaskonzept, LEV 2 LEV 2 emissions concept
24	I 7K3	Reifendruckkontrolle (RDK) 433 mhz Tyre pressure monitoring system 433 mhz
24	I 7K4	Reifendruckkontrolle 315 MHz 315-MHz tyre pressure monitoring system
24	I 7K5	Reifendruckkontrolle 315 MHz mit reduzierter Sendeleistung 315-MHz tyre pressure monitoring system with reduced transmission power
24	I 7M0	Einstiegsleisten Kunststoff ab Mj -04 Door entry guards of plastic from MY 04
24	I 7M1	Einstiegsleisten Edelstahl ab Mj -04 Door entry guards of stainless steel from MY 04
24	I 7QT	Navigati on "Paket Europa" Navigation "paket europa"
24	I 7QV	Navigati on Südafrika Navigation south africa
24	I 7QZ	Navigati on mittlerer Osten Navigation middle east
24	I 7Q0	Ohne Navigationsgerät Without navigation unit
24	I 7Q2	PCM - Navigationsmodul PCM navigation module
24	I 7Q7	PCM inkl. Navigati on & Kompassanzei ge im Kombiinstrument PCM incl. navigati on & compass di splay in instrument cluster
24	I 7RA	Navigati on Australien Navigation Australia
24	I 7RB	Navigati on Hongkong Navigation Hongkong
24	I 7RC	Navigati on Singapur Navigation Singapur
24	I 7RD	Navigati on Tai wan Navigation Tai wan
24	I 7RV	Navigati on Russland Navigation Russia
24	I 7T0	Kompassanzei ge im Kombiinstrument Compass di splay in instrument cluster

MXI KAT24

24	I 7T1	Navigation Offroad, mit Kursrechner Laengen- & Breitengradangabe Offroad navigation, with course calculator showing latitude and longitude
24	I 7T3	Navigation Offroad, mit Kursrechner Laengen- & Breitengradang. & KOMPASS Offroad navigation, with course calculator showing latitude and longitude + COMPASS
24	I 7VE	Standheizung mit integrierter Zeitschaltuhr Auxiliary heater with integrated timer.
24	I 7VL	Standheizung mit integrierter Zeitschaltuhr und Fernbedienung Auxiliary heater with integrated timer. and remote control
24	I 7X0	ohne Einparkhilfe Without ParkAssist
24	I 7X1	Ultraschalleinparkhilfe und Rückfahrkamera Ultrasound parkassist and reversing camera
24	I 7X2	Parkassistent vorne und hinten Parkassist front/rear
24	I 7X3	Rückfahrkamera Reversing camera
24	I 8BB	Halogen Hauptscheinwerfer, Rechtsverkehr Halogen main headlights, right-hand traffic
24	I 8BC	Hauptscheinwerfer mit Gasentladungslampe & Blinklicht, XENON Rechtsverkehr Main headlights with gas-discharge lamps & direction indicators, XENON right-hand traffic
24	I 8BF	Halogen Hauptscheinwerfer, Linksverkehr Halogen main headlights, left-hand traffic
24	I 8BR	Halogen Hauptscheinwerfer, US-Ausführung mit Blink-& Positionsluchten, Rechtsverkehr Halogen main headlights, U. S. version with direction indicator and running lights, right-hand traffic
24	I 8BZ	Hauptscheinwerfer mit Gasentladungslampe & Blinklicht, XENON Linksverkehr Main headlights with gas-discharge lamps & direction indicators, XENON left-hand traffic
24	I 8DQ	Radio PCM- Grundmodul USA Doppel DIN Farbblindschirm Basic radio/PCM terminal, USA, double-DIN colour display
24	I 8DU	Radio Porsche CDR 23 WW Porsche CDR 23 radio WW
24	I 8DV	Radio PCM- Grundmodul RDW, Doppel DIN Farbblindschirm Basic radio/PCM terminal, RoW, double-DIN colour display
24	I 8FE	Vorbereitung fuer zweite Batterie Preparation for second battery
24	I 8F2	Seitliche Blinkleuchten Side direction indicator lights
24	I 8F5	Seitliche Markierungs- und Blinkleuchten Side marker lights and direction indicators
24	I 8GH	Drehstromgenerator 190 A 190-A generator
24	I 8GR	Drehstromgenerator 150 A 150-A generator
24	I 8JD	Hauptscheinwerfer mit Gasentladungslampe US-Ausführung, XENON RV Main headlights with gas-discharge lamps U. S. version, XENON RHD
24	I 8K0	ohne spezielle Fahrlichtschaltung Without special low beam mode
24	I 8K1	Tagesfahrlichtschaltung Skandi navi en Daytime driving light setting, Scandi navi a

MXI KAT24

24	I 8K3	Tagfahrlicht, Assistenzfahrlicht RDW mit COMING-/LEAVING HOME Daytime driving lights, auxiliary driving lights, RoW, with COMING/LEAVING HOME function
24	I 8K4	Tagesfahrlichtschaltung Kanada Daytime driving light setting, Canada
24	I 8K5	Assistenzfahrlicht USA (NAR) Auxiliary driving lights, USA (NAR)
24	I 8K8	Assistenzfahrlicht (RDW) Auxiliary driving lights (RoW)
24	I 8K9	Tagfahrlicht, Assistenzfahrlicht Kanada (NAR) mit COMING-/LEAVING HOME Daytime driving lights, auxiliary driving lights, Canada (NAR), with COMING/LEAVING HOME function
24	I 8L6	Diversity-Antenne Diversity antenna
24	I 8N3	Scheibenwischer - Intervallschaltung mit Regensensor Wipers - variable interval setting with rain sensor
24	I 8Q1	Leuchtweitenregulierung, manuell Headlight levelling, manual
24	I 8Q3	Leuchtweitenregulierung, aut. Dynamisch Headlight levelling - dynamic
24	I 8RV	10 Lautsprecher, passiv 10 loudspeakers, passive
24	I 8TF	Nebelschlussleuchte links und rechts Rear fog light, left and right
24	I 8T1	Tempostat Cruise control
24	I 8T3	Autom. Distanzregelung & Geschwindigkeitsregelanlage ACC ab Mj -04 Autom. distance control & cruise control ACC from MY 04
24	I 8WB	Nebelscheinwerfer Fog lights
24	I 8X0	ohne Scheinwerferreinigungsanlage Without headlamp cleaning system
24	I 8X1	Scheinwerferreinigungsanlage Headlight cleaning system
24	I 8YZ	Ohne Radio, jedoch mit Vorbereitung für 10 Lautsprecher Without radio but with preparation for 10 loudspeakers
24	I 8ZM	Antenne im Heckspoiler Antenna in rear spoiler
24	I 9AB	Klimaanlage mit mechanischer Regelung Air conditioning system with mechanical control
24	I 9AD	Climatronic, FCKW - frei Climatronic, free of CFCs
24	I 9AH	4-Zonen-Klimaanlage 4-zone air conditioning system
24	I 9JA	Nichtraucherpaket Non-smoker package
24	I 9JB	Raucherausführung, Ascher vorn und hinten Smoker version; ashtrays front and rear
24	I 9L1	Motorraumbelichtung Engine bay lighting
24	I 9MA	Innenbeleuchtung in Grundausstattung Interior lighting in basic equipment package
24	I 9MB	Komfort Innenbeleuchtung, dimmbar mit Tuertafel ausleuchtung Comfort interior lighting, dimmable, with light strips on door panels
24	I 9MO	ohne Zusatz-/Standheizung Without auxiliary/parking heater
24	I 9Q1	Multi-funktionsanzeige, Bordcomputer Multi-purpose display, on-board computer
24	I 9TF	Ein- & Ausstiegs komfortbeleuchtung Courtesy entry and exit lights
24	I 9TH	Warnleuchten an Türen vorne und hinten Safety lights on front and rear doors

MXI KAT24

24	I 9T1	Scheibenwaschdüsen beheizbar, vorn Heated washer nozzles, front
24	I 9VL	Bose Surround Sound-System Bose surround sound-system
24	I 9W0	ohne Vorbereitung, Einbau Auto-Telefon Without preparation for installation of car phone
24	I 9W1	Telefonmodul ohne Passivhoerer Telephone module without passive handset
24	I 9ZF	Telefonvorbereitung Handy VDA, mit Freisprechanlage Telephone preparation for VDA mobile phone with hands-free facility
24	I 9ZH	Einbau Autotelefon mit Notrufsystem - PCM Telematik Installation of car phone with emergency-call system - PCM telematics
24	I 9ZP	Telefonmodul mit Passivhörer Telephone module with passive handset
24	I 9ZT	Telefonvorbereitung USA, JAPAN Telephone preparation USA, JAPAN

Model	Year	MG	SG	Illustration	VIN No.	Update		
9pa	06	9	11	911-10		203	9:14	17.08.2006

TR203

THIS PARTS CATALOGUE CONTAINS ALL ORDER INFORMATION OF
TYPE CAYENNE FROM MODEL YEAR 2003

IT IS AVAILABLE IN TWO EDITIONS IN THE FOLLOWING LANGUAGES:

EDITION

USA, CANADA - *

EDITION

ALL OTHER COUNTRIES - GERMAN

* - ENGLISH

- FRENCH

- ITALIAN

- SPANISH

UPDATING IS BEING PERFORMED BY CHANGING OF UPDATE.

THE EDITION CAN BE RECOGNIZED BY THE CURRENT NO.
IN THE BOTTOM LINE OF SUBJECT UPDATE.

THE PREVIOUS UPDATE SHOULD NO LONGER BE USED.

ALL ILLUSTRATIONS ARE SUBJECT TO CHANGE WITHOUT OBLIGATION.

THE SEATS FOR EACH MODEL ARE AVAILABLE IN THE PARTS CATALOGUE
"SEATS (STZ 19)".

PET V-Pages

Model	Year	MG	SG	Illustration	VIN No.	Update	9:15	17.08.2006
9pa	06	9	11	911-10		203		

TR203

EXPLANATION OF THE ABRIDGED VERSION OF THE VEHICLE IDENT. NUMBERS (VIN)
 =====
 USED IN THE CATALOGUE
 =====

DIGIT: 1 2 3 4 5 6 7 8 9 10 11 12 13 14 15 16 17

EXAMPLE: W P 1 Z Z Z 9 P Z 3 L A 0 0 1 2 5
 === = = = =====

 ! ! ! ! !
 VEHICLE TYPE 1ST+2ND DIGIT-----+ ! ! ! !
 MODEL YEAR-----+ ! ! ! !
 MANUFACTURING LOCATION-----+ ! ! !
 VEHICLE TYPE 3RD DIGIT-----+ ! ! !
 SERIAL NUMBER-----+ ! ! !

Model	Year	MG	SG	Illustration	VIN No.	Update	9:15	17.08.2006
9pa	06	9	11	911-10		203		

FR203

VEHICLE TYPE	MY	VIN	ENGINE	TYPE
CAYENNE	03 3	9P3LA 00061>10000	M02.2Y	184 KW
CAYENNE S	03 3	9P3LA 40061>50000	M48.00	250 KW
CAYENNE TURBO	03 3	9P3LA 80061>90000	M48.50	331 KW
CAYENNE	04 4	9P4LA 00061>10000	M02.2Y	184 KW
CAYENNE (USA, CDN, MEX, BR)	04 4	9P4LA 20061>30000	M02.2Y	184 KW
CAYENNE S	04 4	9P4LA 40061>60000	M48.00	250 KW
CAYENNE S (USA, CDN, MEX, BR)	04 4	9P4LA 60061>80000	M48.00	250 KW
CAYENNE TURBO	04 4	9P4LA 80061>90000	M48.50	331 KW
CAYENNE TURBO (USA, CDN, MEX, BR)	04 4	9P4LA 90061>99999	M48.50	331 KW
CAYENNE	05 5	9P5LA 00061>10000	M02.2Y	184 KW
CAYENNE (USA, CDN, MEX, BR)	05 5	9P5LA 20061>30000	M02.2Y	184 KW
CAYENNE S	05 5	9P5LA 40061>60000	M48.00	250 KW
CAYENNE S (USA, CDN, MEX, BR)	05 5	9P5LA 60061>80000	M48.00	250 KW
CAYENNE TURBO	05 5	9P5LA 80061>90000	M48.50	331 KW
CAYENNE TURBO (USA, CDN, MEX, BR)	05 5	9P5LA 90061>99999	M48.50	331 KW
CAYENNE	06 6	9P6LA00061>10000	M02.2Y	184 KW
CAYENNE (USA, CDN, MEX, BR, CN)	06 6	9P6LA20061>40000	M02.2Y	184 KW
CAYENNE S	06 6	9P6LA40061>60000	M48.00	250 KW
CAYENNE S (USA, CDN, MEX, BR, CN)	06 6	9P6LA60061>80000	M48.00	250 KW
CAYENNE TURBO	06 6	9P6LA80061>90000	M48.50	331 KW
CAYENNE T. (USA, CDN, MEX, BR, CN)	06 6	9P6LA90061>99999	M48.50	331 KW

PET V-Pages

Model	Year	MG	SG	Illustration	VIN No.	Update	9:15	17.08.2006
9pa	06	9	11	911-10		203		

TR203

EXPLANATION OF THE MOTOR-NUMBERS USED IN THE CATALOGUE
 =====

DIGIT:	1	2	3	4	5	6	7	8
EXAMPLE:	8	2	3	0	0	1	3	6
	=	=	=	=====				
	!	!	!				!	
ENGINE TYPE (8 = 8-CYL.-ENGINE) -----	+	!	!				!	
		!	!				!	
ENGINE VERSION-----	+	!					!	
		!					!	
MODEL YEAR-----	+						!	
							!	
SERIAL NUMBER-----							+	

Model	Year	MG	SG	Illustration	VIN No.	Update	9:15	17.08.2006
9pa	06	9	11	911-10		203		

MR203

VEHICLE TYPE	ENGINE TYPE	MY	ENGINE NO.	TECHNICAL DATA
CAYENNE S	M48.00	03 3	813 00501>60000	8ZYL/4,5L /250 KW
CAYENNE TURBO	M48.50	03 3	823 00501>60000	8ZYL/4,5L /331 KW
CAYENNE	M02.2Y	04 4	BFD 00501>60000	6ZYL/3,2L /184 KW
CAYENNE S	M48.00	04 4	814 00501>60000	8ZYL/4,5L /250 KW
CAYENNE TURBO	M48.50	04 4	824 00501>60000	8ZYL/4,5L /331 KW
CAYENNE	M02.2Y	05 5	BFD 00501>60000	6ZYL/3,2L /184 KW
CAYENNE S	M48.00	05 5	815 00501>60000	8ZYL/4,5L /250 KW
CAYENNE TURBO	M48.50	05 5	825 00501>60000	8ZYL/4,5L /331 KW
CAYENNE	BFD M02.2Y	06 6	616 00501>60000	6ZYL/3,2L /184 KW
CAYENNE S	M48.00	06 6	816 00501>60000	8ZYL/4,5L /250 KW
CAYENNE TURBO	M48.50	06 6	826 00501>60000	8ZYL/4,5L /331 KW

PET V-Pages

Model	Year	MG	SG	Illustration	VIN No.	Update	9:15	17.08.2006
9pa	06	9	11	911-10		203		

TR203

EXPLANATION OF THE TRANSMISSION-NUMBERS USED IN THE CATALOGUE

```

=====
DIGIT:                1  2  3  4  5      6  7  8  9 10 11
EXAMPLE:              G  4  8  0  0      1  0  0  5  4  3
                      =  =====      =  =====
                      !                !
                      !                !
TRANSMISSION TYPE-----+                !
                      !                !
TRANSMISSION VERSION-----+                !
                      !                !
INDEX OF VARIANTS-----+                !
                      !                !
SERIAL NUMBER-----+
    
```

Model	Year	MG	SG	Illustration	VIN No.	Update	9:15	17.08.2006
9pa	06	9	11	911-10		203		

GR203

VEHICLE TYPE	TYPE	MY	TRANSMISSION NO.	TECHNICAL DATA
CAYENNE	G48.20	03 3	G4820 0 002001>999999	6-GANG
CAYENNE	A48.20	03 3	A4820 0 002001>999999	6-GANG
CAYENNE S	G48.00	03 3	G4800 0 002001>999999	6-GANG
CAYENNE S	A48.00	03 3	A4800 0 002001>999999	6-GANG
CAYENNE TURBO	A48.50	03 3	A4850 0 002001>999999	6-GANG
CAYENNE	G48.20	04 4	G4820 0 002001>999999	6-GANG
CAYENNE	A48.20	04 4	A4820 0 002001>999999	6-GANG
CAYENNE S	G48.00	04 4	G4800 0 002001>999999	6-GANG
CAYENNE S	A48.00	04 4	A4800 0 002001>999999	6-GANG
CAYENNE TURBO	A48.50	04 4	A4850 0 002001>999999	6-GANG
CAYENNE	G48.20	05 5	G4820 0 002001>999999	6-GANG
CAYENNE	A48.20	05 5	A4820 0 002001>999999	6-GANG
CAYENNE S	G48.00	05 5	G4800 0 002001>999999	6-GANG
CAYENNE S	A48.00	05 5	A4800 0 002001>999999	6-GANG
CAYENNE TURBO	A48.50	05 5	A4850 0 002001>999999	6-GANG
CAYENNE	G48.20	06 6	G4820 0 002001>999999	6-GANG
CAYENNE	A48.20	06 6	A4820 0 002001>999999	6-GANG
CAYENNE S	G48.00	06 6	G4800 0 002001>999999	6-GANG
CAYENNE S	A48.00	06 6	A4800 0 002001>999999	6-GANG
CAYENNE TURBO	A48.50	06 6	A4850 0 002001>999999	6-GANG

Model	Year	MG	SG	Illustration	VIN No.	Update	9:16	17.08.2006
9pa	06	9	11	911-10		203		

TR203

LEGENDS AND NOTICES

=====

IN COLUMN -S- STATUS

- N NEW ADDITION
- P PART ALREADY IN PROGRAMME, BUT NEW AT THIS APPLICATION
- W DELETED AT THIS APPLICATION, BUT CONTINUED TO BE CARRIED
- R RACING PART: MARKETED FROM WEISSACH EVM
- A STOCK TO BE USED UP
- U DELETED WITHOUT REPLACEMENT
- * PART ALSO OR ONLY AVAILABLE IN REPAIR KIT
- > ALSO AVAILABLE IN EXCHANGE

IN COLUMN - ILL. -

- 1 IDENTIFICATION NO. IN ILLUSTRATION
- (1) PART ONLY SIMILAR AS ILLUSTRATED
- PART IS NOT ILLUSTRATED

FIG.-NUMBERS FOR WHICH THERE IS SHOWN NO TEXT ARE NOT VALID FOR THIS EDITION OF CATALOGUE

IN COLUMN -PART NUMBER/CODE-

000 000 000 00 PART NUMBER EQUALS ORDERING NO., IF A CODE IS SHOWN, IT WILL HAVE TO BE PART OF ORDERING NUMBER

01C COLOUR CODE

IN COLUMN -TEXT

INSTALLATION WITH ENGINE OR CHASSIS NUMBER-RANGE

EXAMPLE:

M 66W 00389>> FROM ENGINE NO.
F >>99WS6 00889 UP TO CHASSIS NO.

PET V-Pages

Model	Year	MG	SG	Illustration	VIN No.	Update	9:16	17.08.2006
9pa	06	9	11	911-10		203		

TR203

IN COLUMN - A -

IDENTIFICATION LETTER FOR PERIOD OF INSTALLATION
THAT IS REPEATED SEVERAL TIMES IN THE CATALOG GROUP.

EXPLANATION PLEASE FIND IN TEXT COLUMN OF THE CATALOG GROUP

IN COLUMN - QU - = NO. OF PIECES

- 1 NUMBER PER APPLICATION
- X NUMBER AS NEEDED
- * AVAILABLE ONLY IN RUNNING LENGTHS 1 = 1 METRE

IN COLUMN - MODEL/SYMBOL -

- M650 OPTIONAL EQUIPMENT - SEE M-NO. LIST
- 98 LIMITATION OF MODEL YEAR FOR INSTANCE: VALID UP TO
END OF MODEL YEAR 1997
- /LL LHD
- /RL RHD
- /V FRONT I
I
- /H REAR I
I----> APPLIES TO
- /L LEFT I DIRECTION OF TRAVEL
I
- /R RIGHT I
-----+
- WW THE PART CAN BE USED INSTEAD OF THE
PRECEDING ONE.

Model	Year	MG	SG	Illustration	VIN No.	Update		
9pa	06	9	11	911-10		203	9:16	17.08.2006

TR203

EQUIPMENT BY COUNTRY REGULATIONS
=====

(A)	AUSTRIA
(AG)	ARABIAN GULF STATES
(AUS)	AUSTRALIA
(B)	BELGIUM
(BR)	BRAZIL
(CDN)	CANADA
(CH)	SWITZERLAND
(CN)	PEOPLE'S REPUBLIC OF CHINA
(D)	FEDERAL REPUBLIC OF GERMANY
(DK)	DENMARK
(E)	SPAIN
(F)	FRANCE
(GB)	GREAT BRITAIN
(GR)	GREECE
(HK)	HONGKONG
(I)	ITALY
(J)	JAPAN
(L)	LUXEMBURG
(N)	NORWAY
(NL)	NETHERLANDS
(NZ)	NEW ZEALAND
(MEX)	MEXICO
(P)	PORTUGAL
(ROK)	KOREA
(RC)	TAIWAN
(THA)	THAILAND
(S)	SWEDEN
(SA)	SAUDI ARABIA
(SF)	FINLAND
(USA)	UNITED STATES OF AMERICA
(ZA)	SOUTH AFRICA